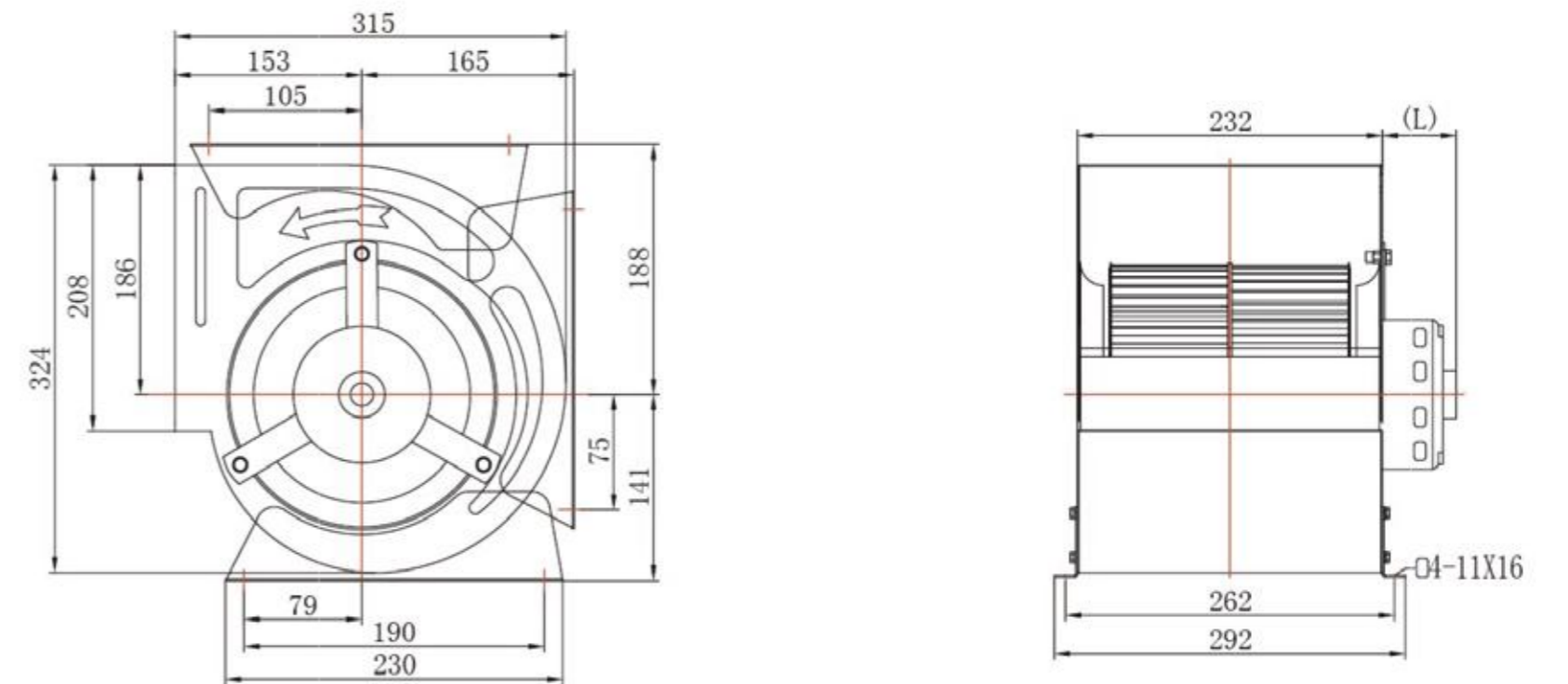


DD Series Centrifugal Blower

Professional HVAC Fan & Motors Manufacturer



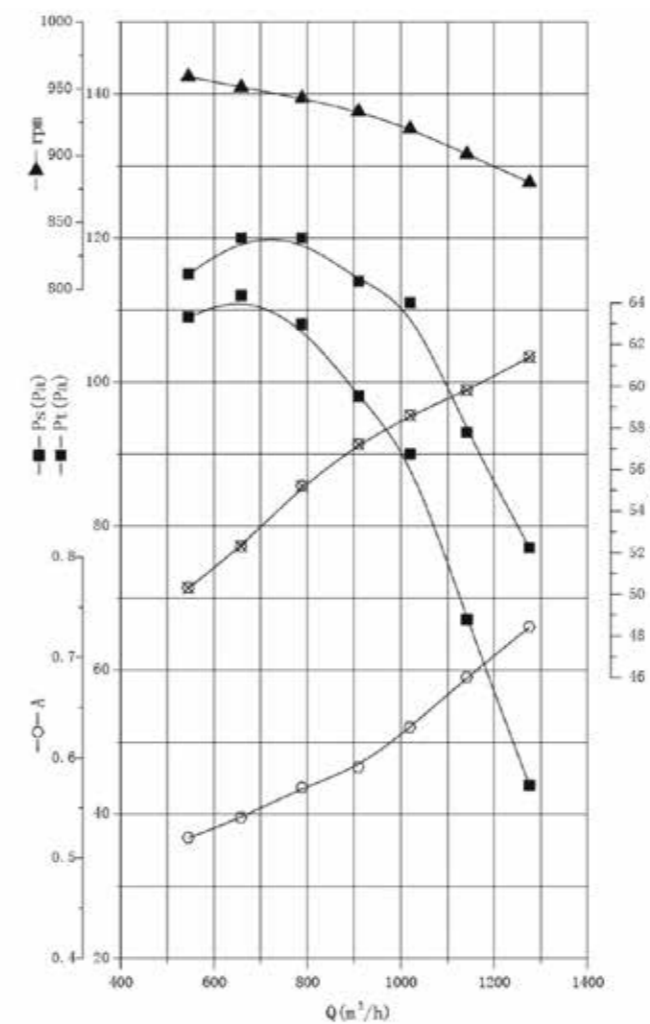
DD 7-7I Series



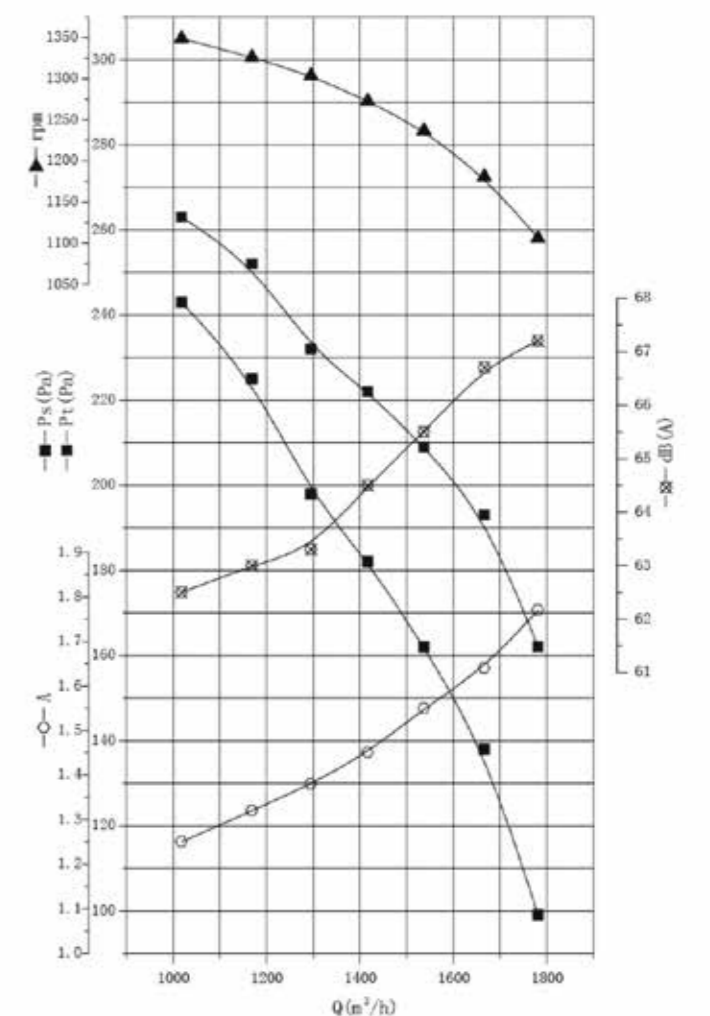
Technical Specifications

Motor	Power	Speed	Vol/Frequency	Current	L
90W-6	90W 6P	850RPM	230V/50Hz	0.9A	46
200W-4	200W 4P	1150RPM	230V/50Hz	1.8A	68

Flow Rate Curve

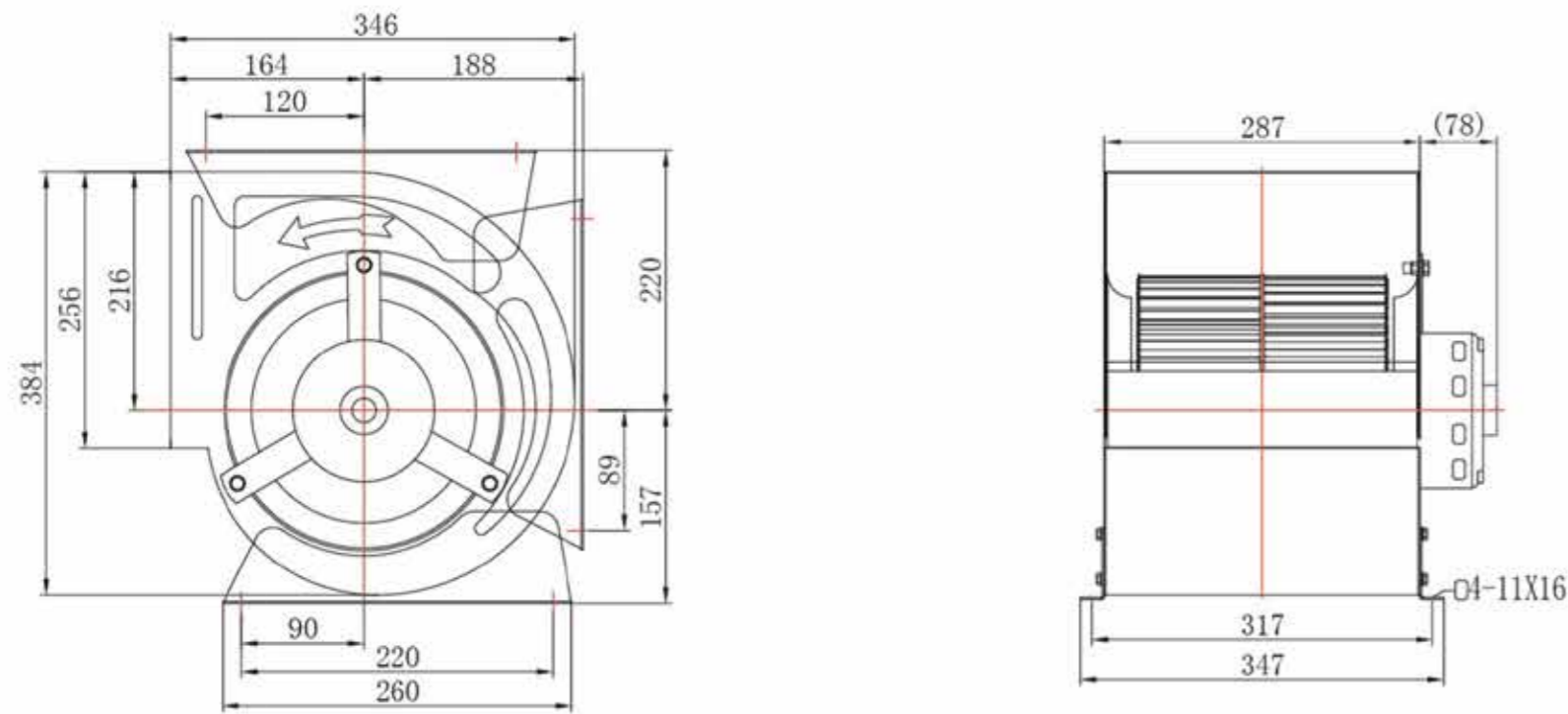


90W-6



200W-4

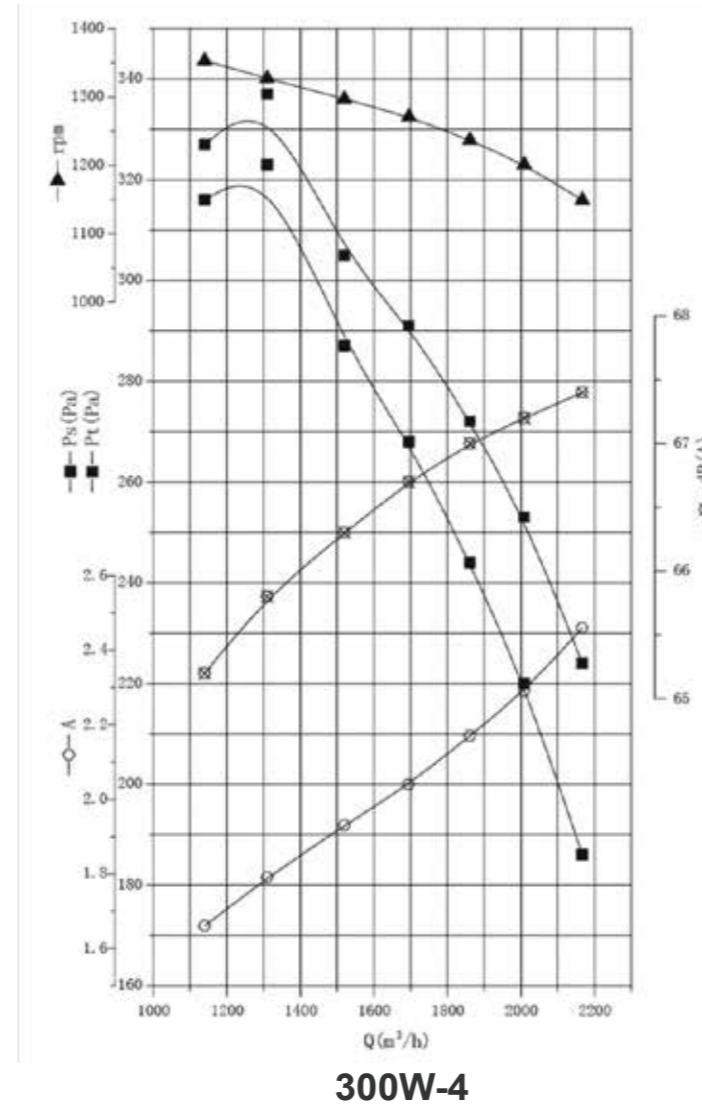
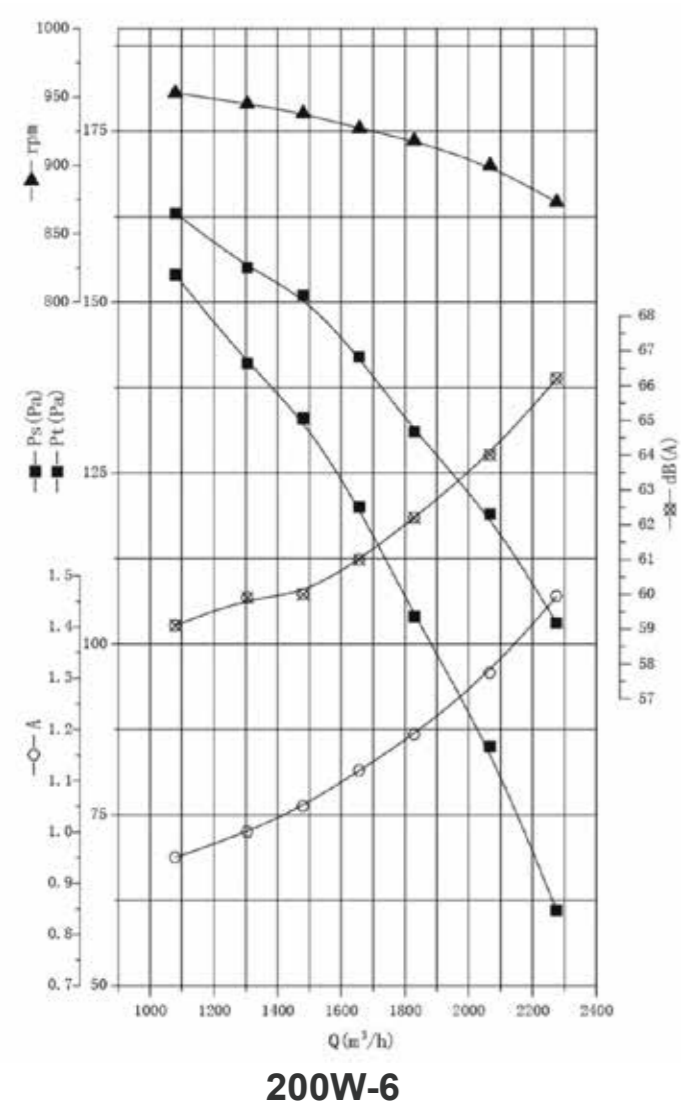
DD 8-8I Series



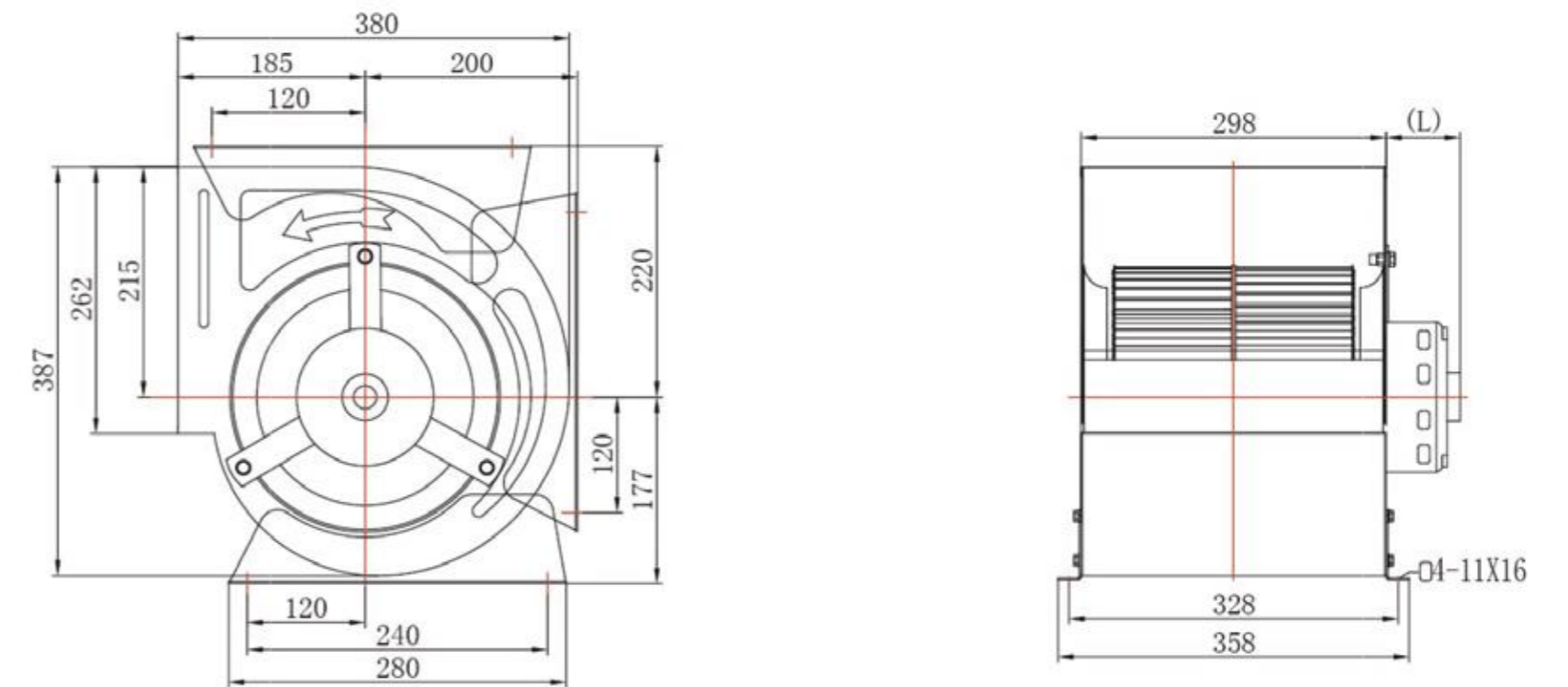
Technical Specifications

Motor	Power	Speed	Vol/Frequency	Current
200W-6	200W 6P	820RPM	230V/50Hz	2.0A
300W-4	300W 4P	1200RPM	230V/50Hz	3.0A

Flow Rate Curve



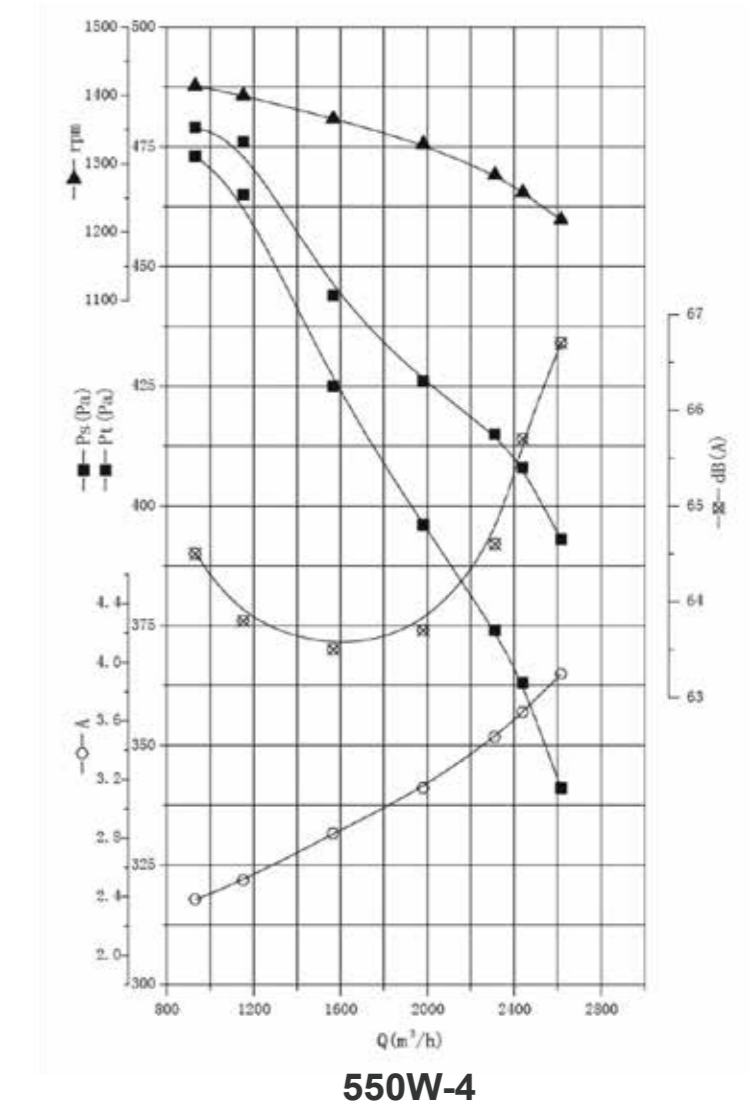
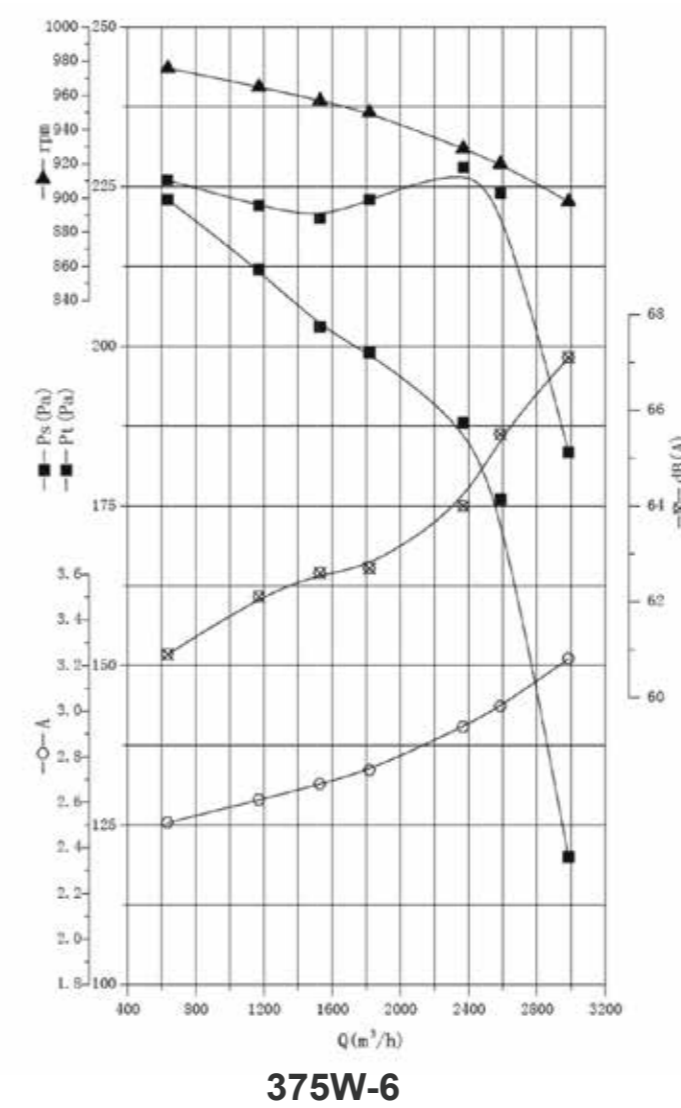
DD 9-9I Series



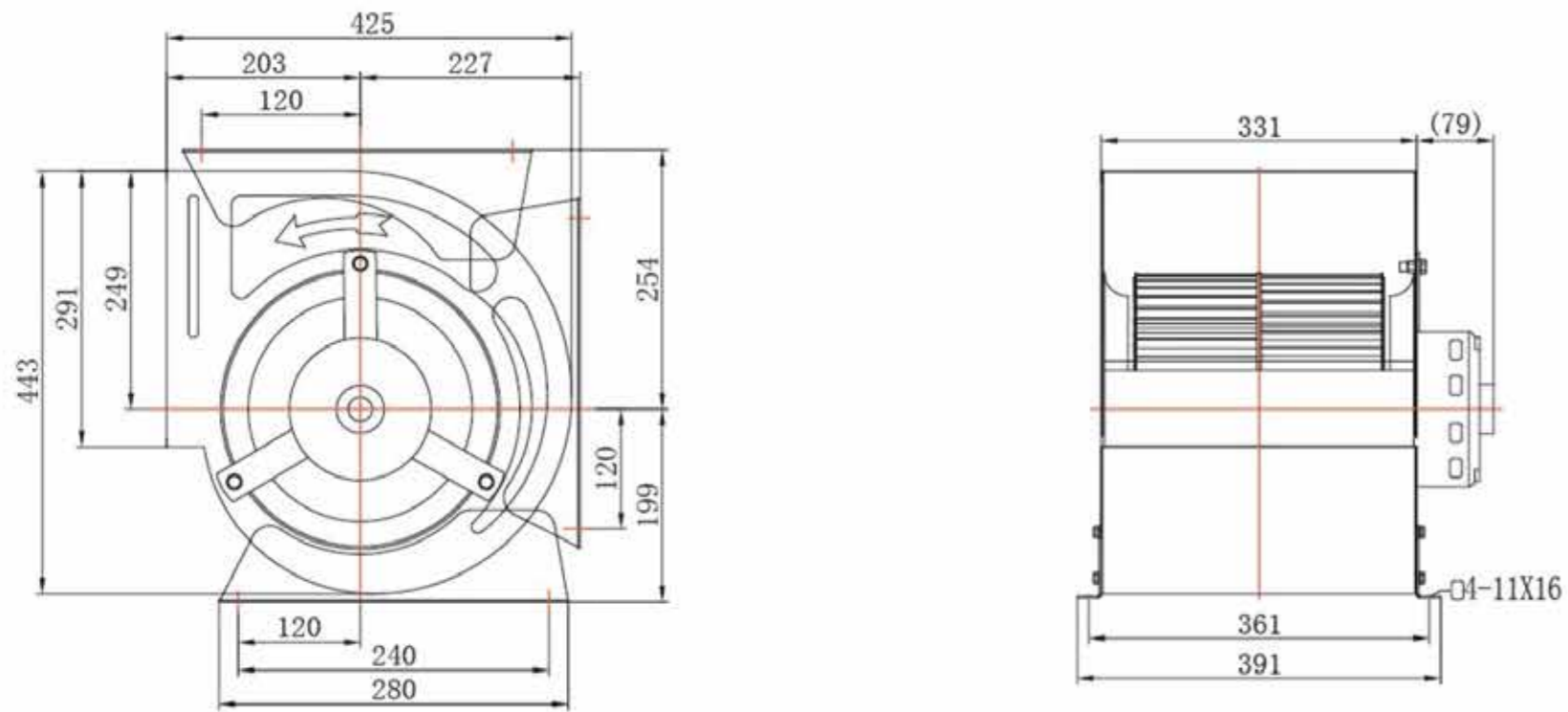
Technical Specifications

Motor	Power	Speed	Vol/Frequency	Current	L
375W-6	375W 6P	850RPM	230V/50Hz	3.5A	93
550W-4	550W 4P	1150RPM	230V/50Hz	4.6A	96

Flow Rate Curve



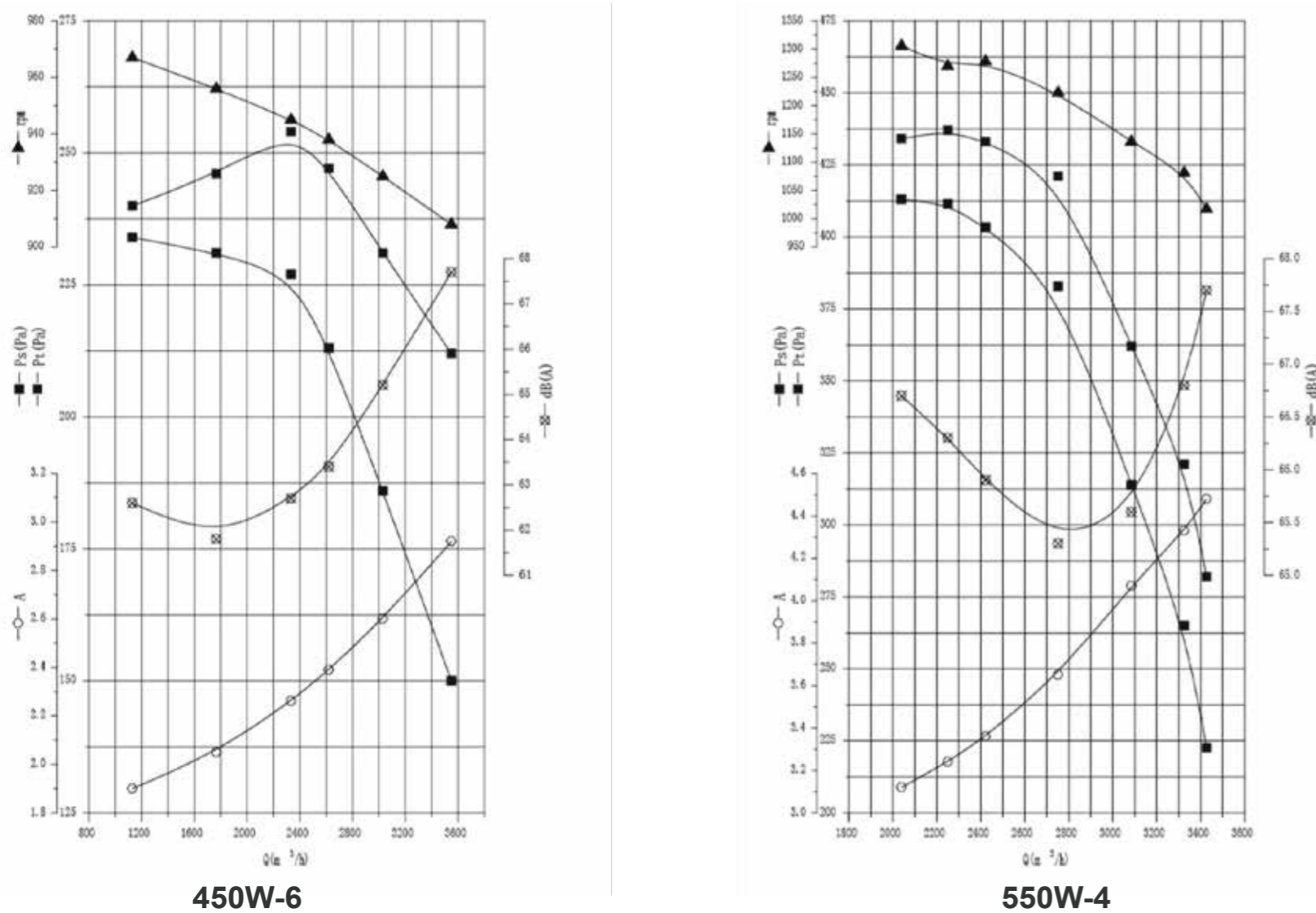
DD 10-10I Series



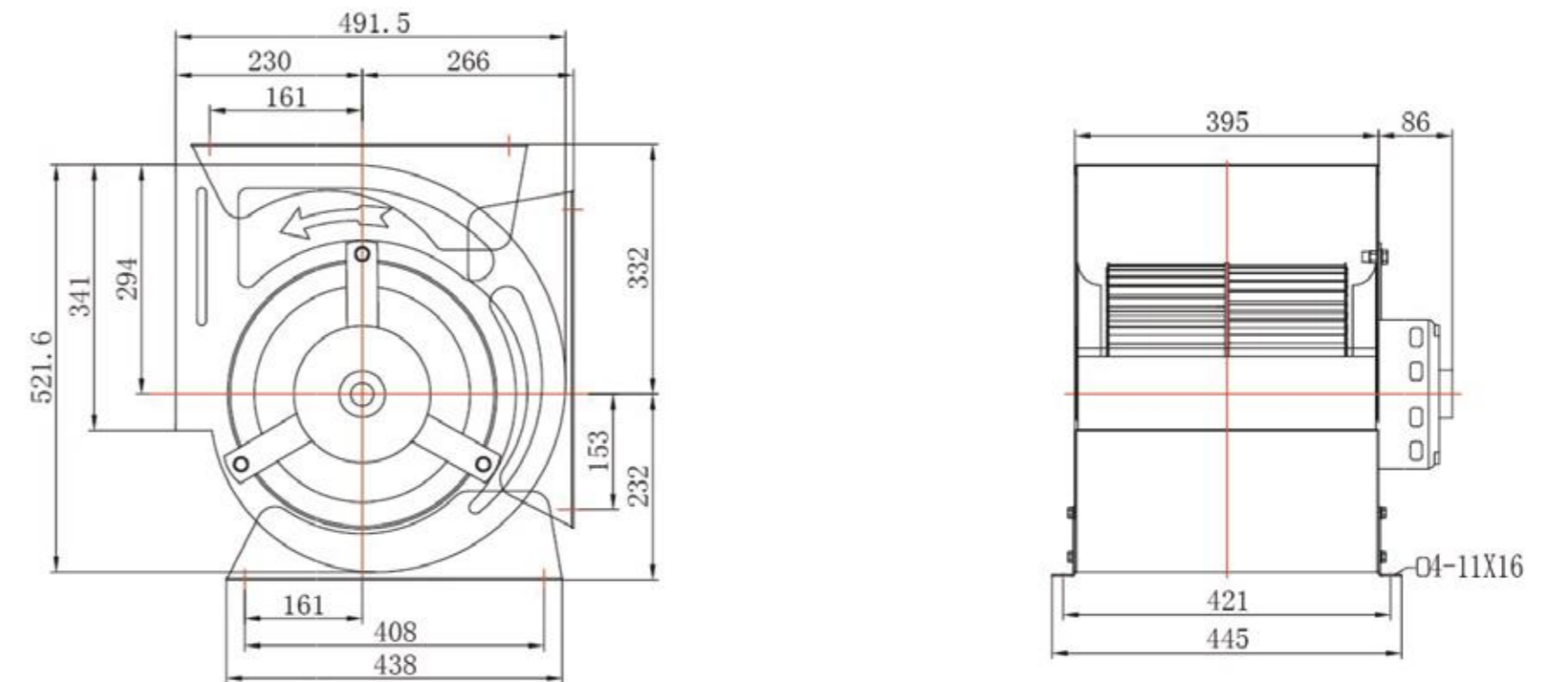
Technical Specifications

Motor	Power	Speed	Vol/Frequency	Current
450W-6	450W 6P	850RPM	230V/50Hz	3.5A
550W-4	550W 4P	1150RPM	230V/50Hz	4.6A

Flow Rate Curve



DD 12-12I Series



Technical Specifications

Motor	Power	Speed	Vol/Frequency	Current
750W-6	750W 6P	830RPM	230V/50Hz	7.2A
600W-6	600W 6P	880RPM	230V/50Hz	8.6A

Flow Rate Curve

