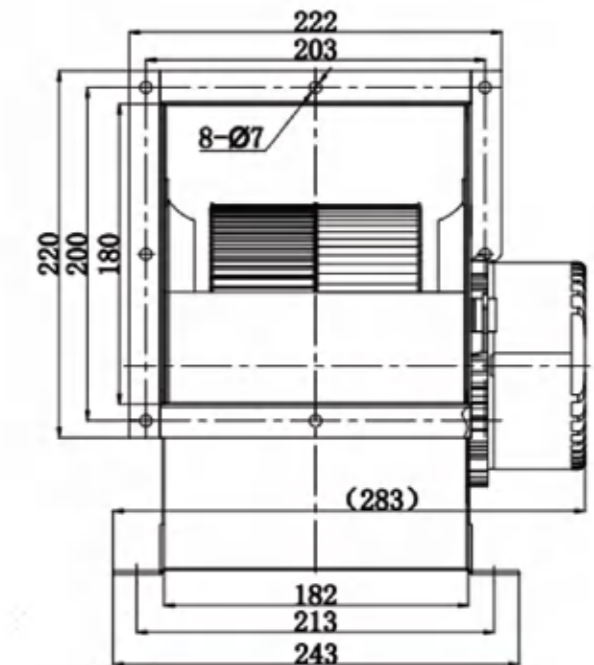
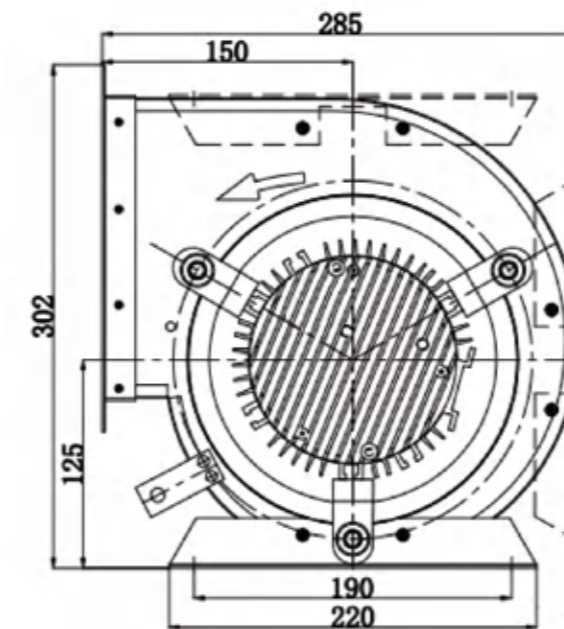


# DD Series Centrifugal Blower

Professional HVAC Fan & Motors Manufacturer

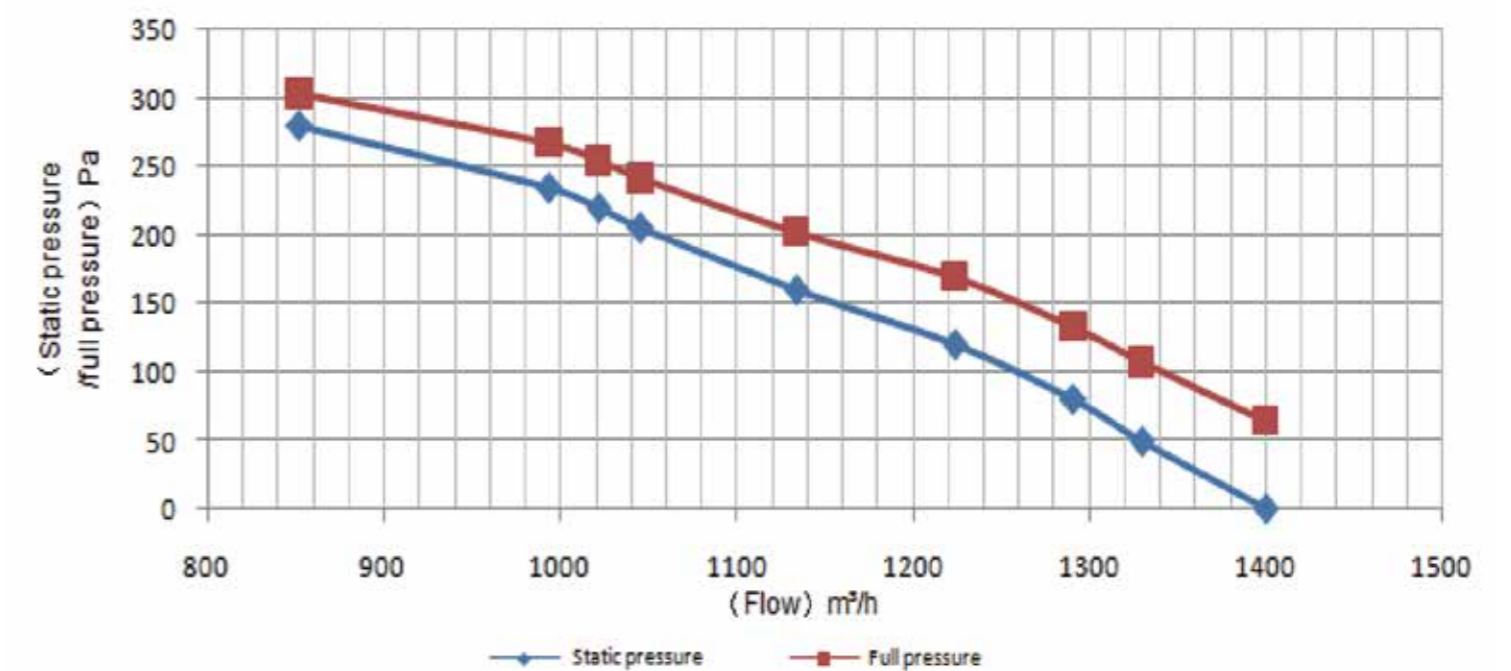
## DD7-5 (EC Motor)



### Technical Specifications

Model	Voltage	Frequency	Full Pressure	Flow Rate	Rotating Speed	Motor Power
LWDD7-5-EC	220V	50Hz	304~65Pa	852~1400m³/h	1440±10r/min	200W

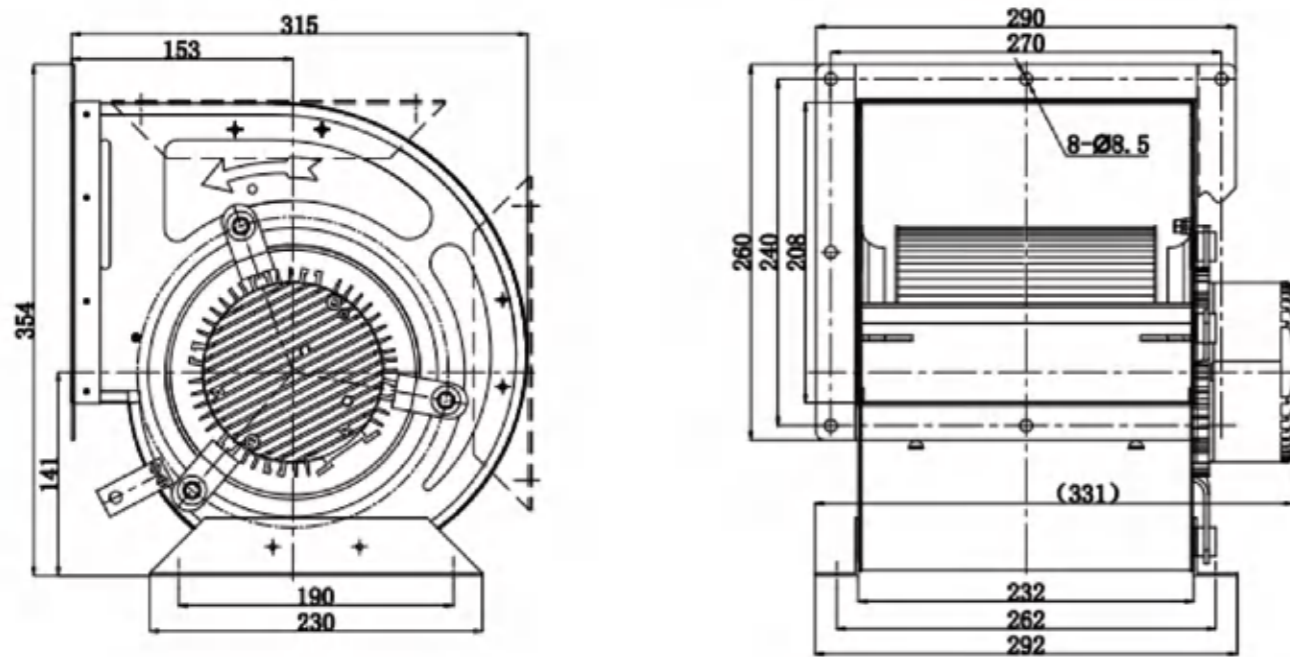
### Flow Rate Curve



Air Flow	Static Pressure	Total Pressure	Speed	Noise Level
852m³/h	280Pa	304Pa	1450r/min	60.0dB(A)
994m³/h	235Pa	268Pa	1440r/min	59.9dB(A)
1022m³/h	220Pa	255Pa	1430r/min	60.0dB(A)
1046m³/h	205Pa	242Pa	1430r/min	59.9dB(A)
1134m³/h	160Pa	203Pa	1410r/min	60.1dB(A)
1224m³/h	120Pa	170Pa	1370r/min	60.1dB(A)
1291m³/h	80Pa	134Pa	1300r/min	60.2dB(A)
1330m³/h	50Pa	108Pa	1250r/min	60.2dB(A)
1400m³/h	0Pa	65Pa	1200r/min	60.3dB(A)



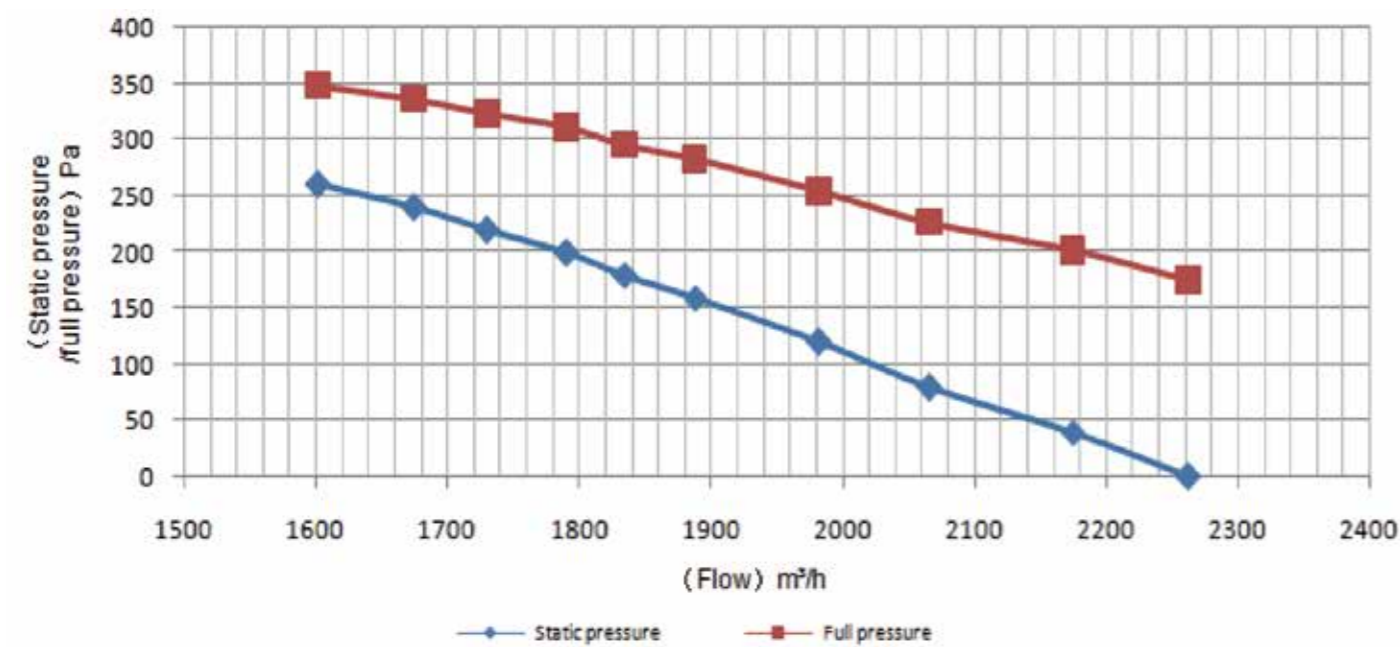
## DD7-7 (EC Motor)



### Technical Specifications

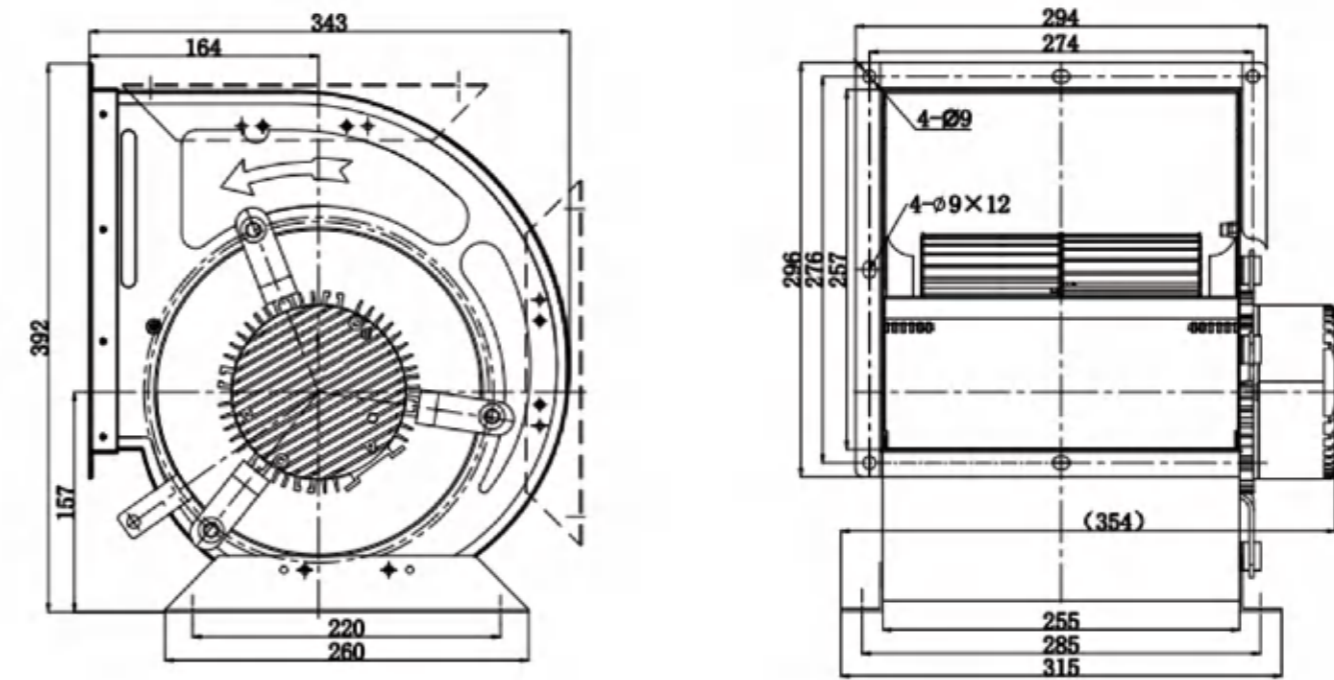
Model	Voltage	Frequency	Full Pressure	Flow Rate	Rotating Speed	Motor Power
LWDD7-7-EC	220V	50Hz	349~175Pa	1602~2263m³/h	1440±30r/min	250W

### Flow Rate Curve



Air Flow	Static Pressure	Total Pressure	Speed	Noise Level
1602m³/h	260Pa	349Pa	1470r/min	63.8dB(A)
1675m³/h	240Pa	337Pa	1430r/min	64.3dB(A)
1731m³/h	220Pa	323Pa	1380r/min	64.7dB(A)
1791m³/h	200Pa	311Pa	1370r/min	65.0dB(A)
1835m³/h	180Pa	296Pa	1350r/min	65.3dB(A)
1888m³/h	160Pa	283Pa	1300r/min	65.5dB(A)
1983m³/h	120Pa	255Pa	1250r/min	66.2dB(A)
2066m³/h	80Pa	227Pa	1200r/min	66.8dB(A)
2175m³/h	40Pa	202Pa	1130r/min	67.1dB(A)
2263m³/h	0Pa	175Pa	1080r/min	67.3dB(A)

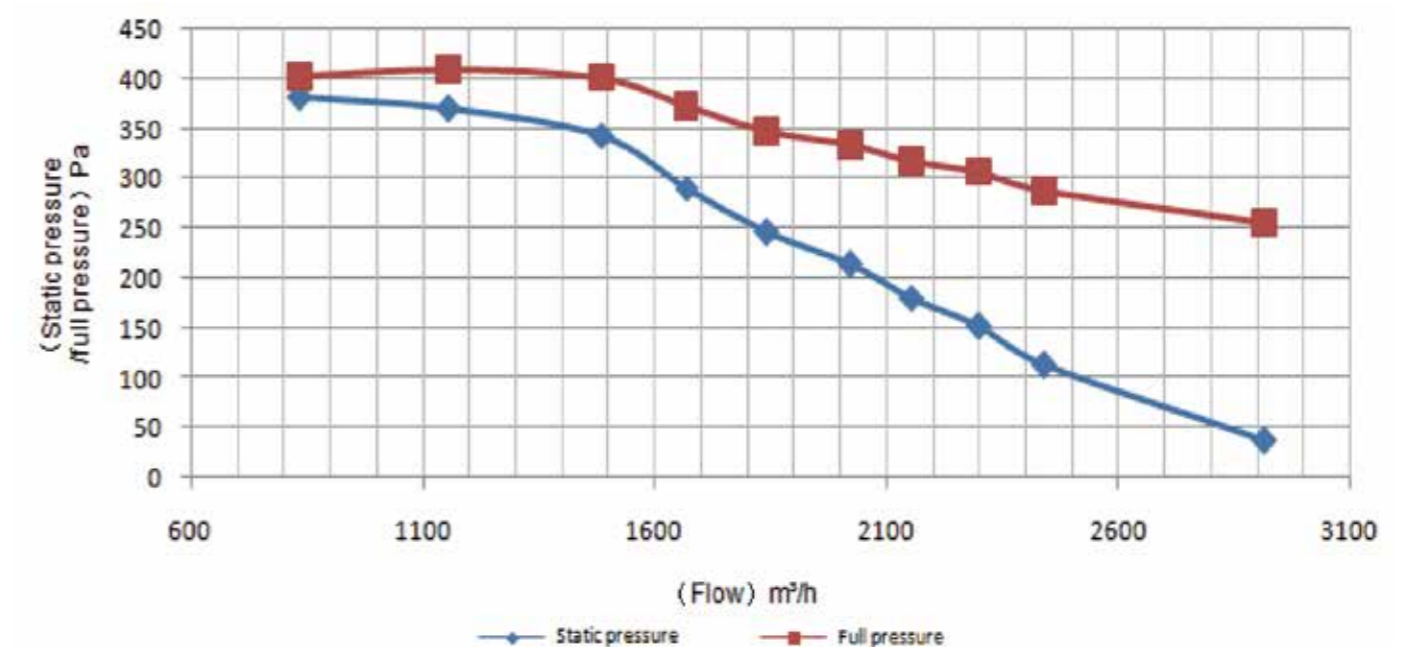
## DD8-7 (EC Motor)



### Technical Specifications

Model	Voltage	Frequency	Full Pressure	Flow Rate	Rotating Speed	Motor Power
LWDD8-7-EC	220V	50Hz	403~255Pa	835~2916m³/h	1440±10r/min	300W

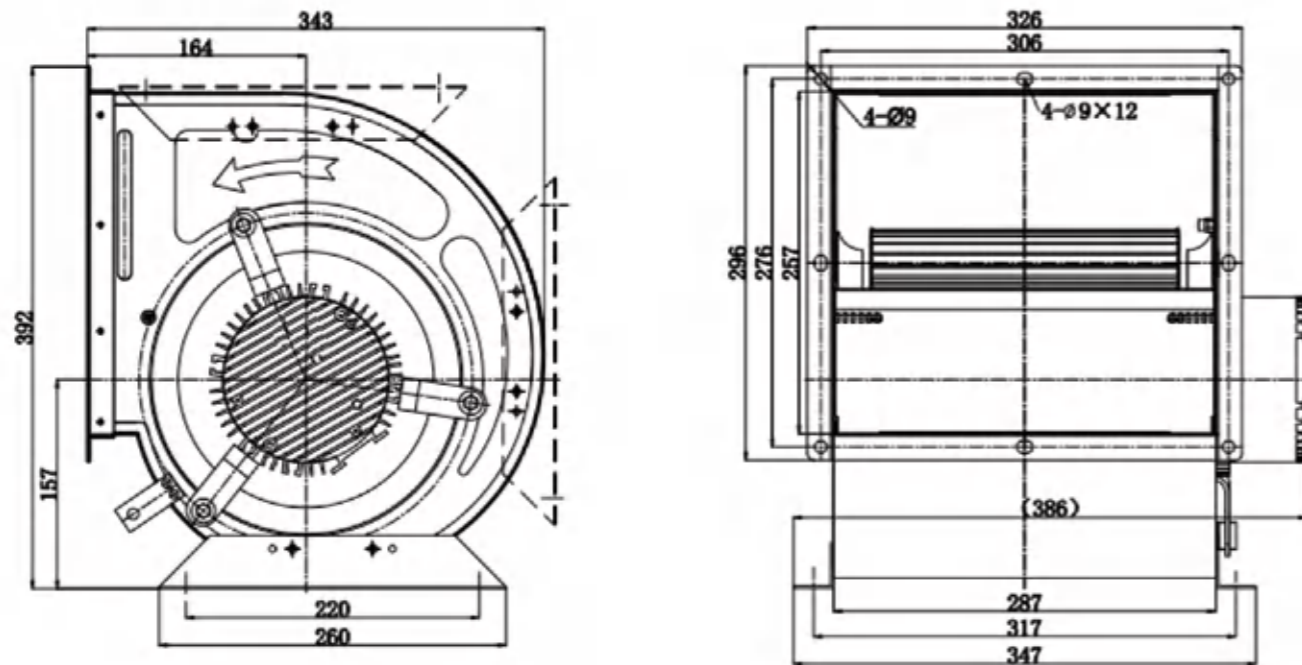
### Flow Rate Curve



Air Flow	Static Pressure	Total Pressure	Speed	Noise Level
835m³/h	382Pa	403Pa	1438r/min	64.7dB(A)
1157m³/h	371Pa	410Pa	1413r/min	64.8dB(A)
1487m³/h	344Pa	401Pa	1370r/min	65.6dB(A)
1670m³/h	291Pa	372Pa	1285r/min	66.7dB(A)
1843m³/h	247Pa	347Pa	1231r/min	67.5dB(A)
2025m³/h	214Pa	334Pa	1191r/min	68.3dB(A)
2157m³/h	181Pa	317Pa	1142r/min	69.4dB(A)
2302m³/h	152Pa	307Pa	1081r/min	70.9dB(A)
2442m³/h	113Pa	288Pa	1015r/min	71.7dB(A)
2916m³/h	37Pa	255Pa	962r/min	72.6dB(A)



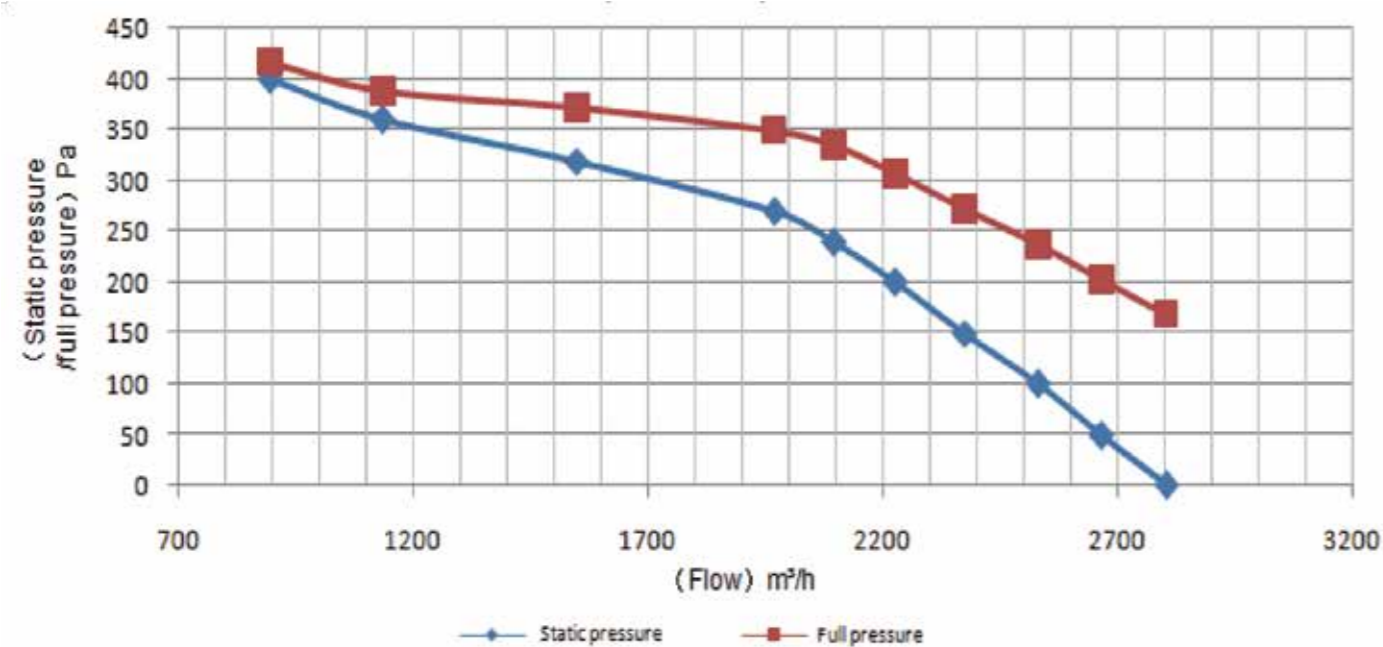
## DD8-8 (EC Motor)



### Technical Specifications

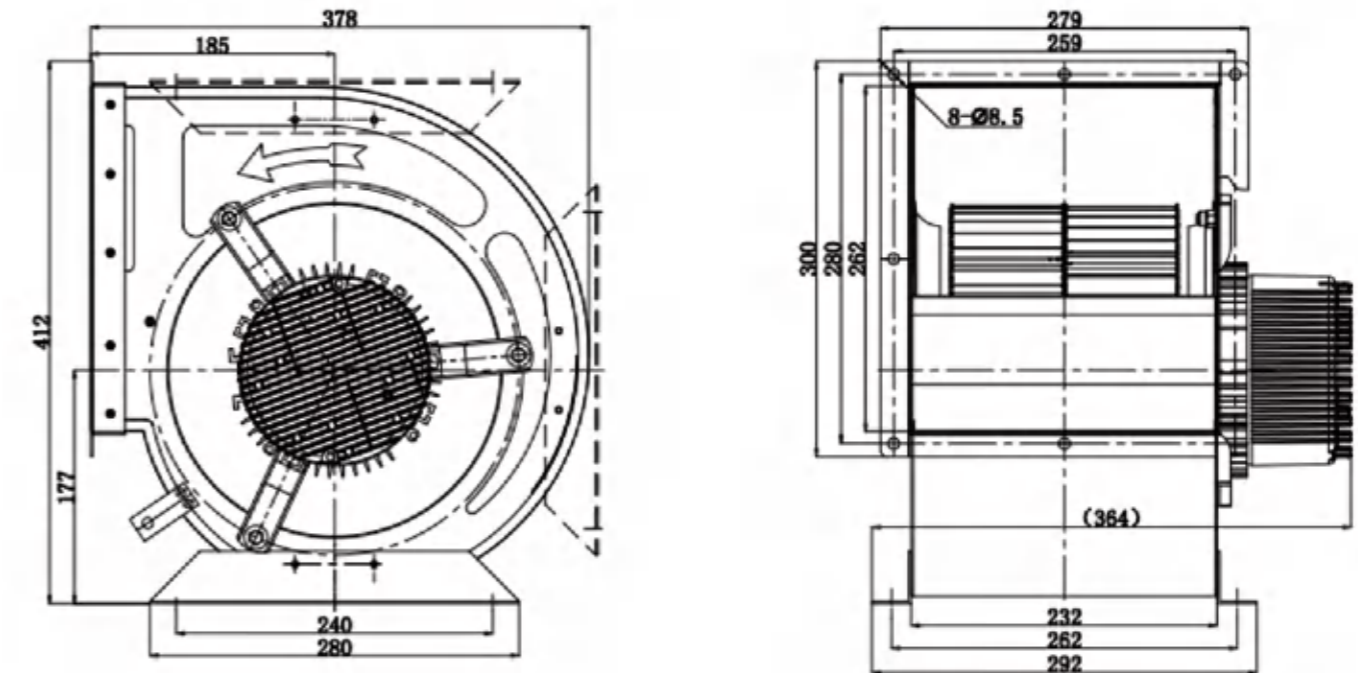
Model	Voltage	Frequency	Full Pressure	Flow Rate	Rotating Speed	Motor Power
LWDD8-8-EC	220V	50Hz	417~169Pa	898~2805m³/h	1440±10r/min	300W

### Flow Rate Curve



Air Flow	Static Pressure	Total Pressure	Speed	Noise Level
898m³/h	400Pa	417Pa	1440r/min	64.9dB(A)
1138m³/h	360Pa	388Pa	1410r/min	65.2dB(A)
1549m³/h	320Pa	372Pa	1360r/min	66.2dB(A)
1969m³/h	270Pa	350Pa	1290r/min	66.4dB(A)
2097m³/h	240Pa	335Pa	1220r/min	66.5dB(A)
2229m³/h	200Pa	307Pa	1190r/min	66.8dB(A)
2376m³/h	150Pa	272Pa	1130r/min	66.9dB(A)
2532m³/h	100Pa	238Pa	1070r/min	67.3dB(A)
2666m³/h	50Pa	203Pa	1020r/min	67.5dB(A)
2805m³/h	0Pa	169Pa	970r/min	67.7dB(A)

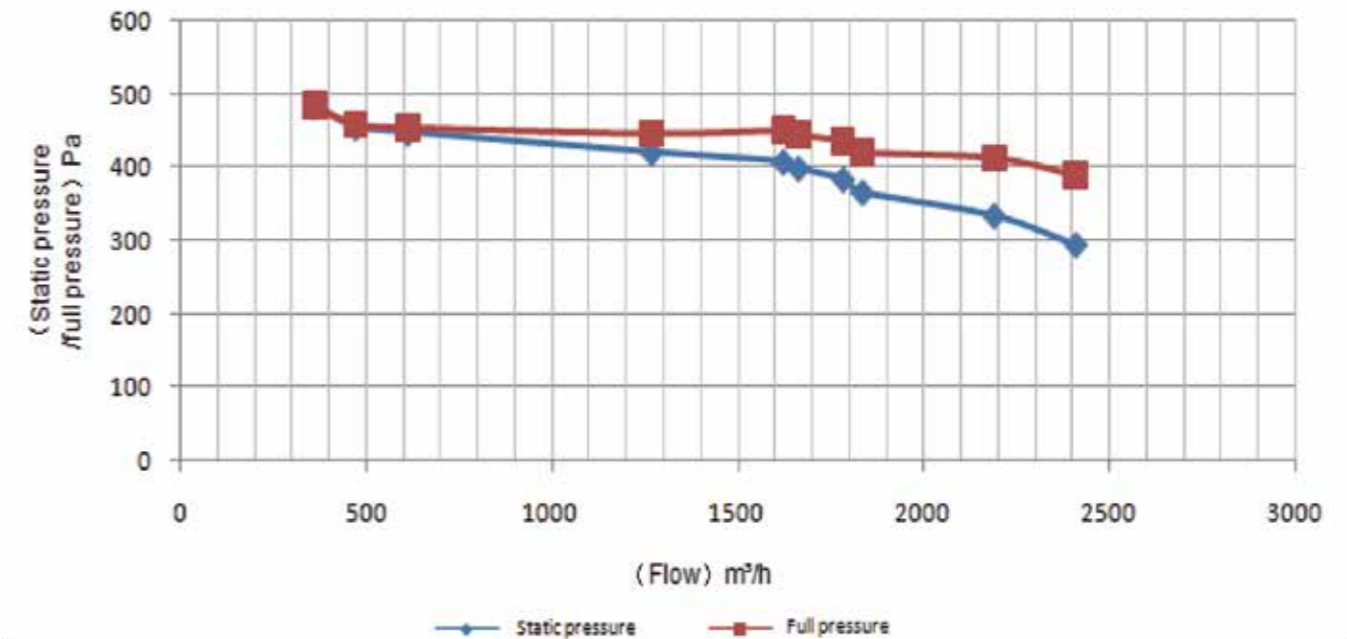
## DD9-7 (EC Motor)



### Technical Specifications

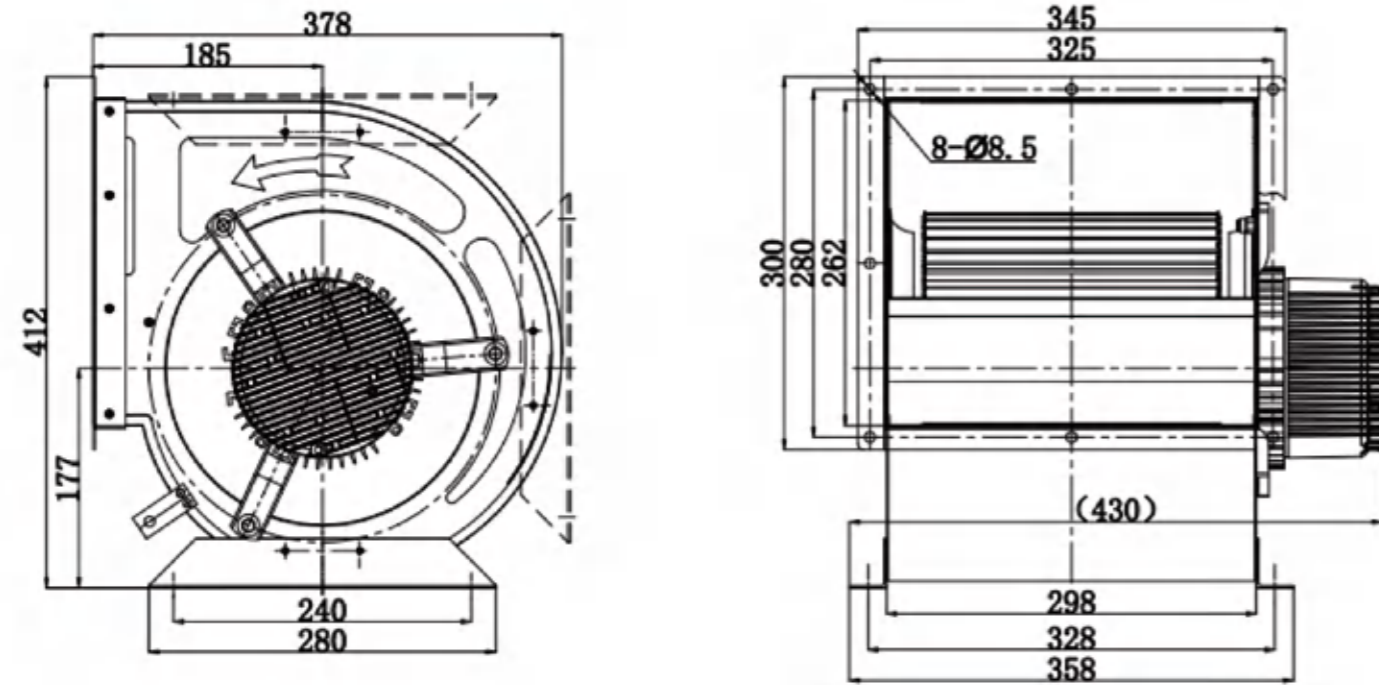
Model	Voltage	Frequency	Full Pressure	Flow Rate	Rotating Speed	Motor Power
LWDD9-7-EC	220V	50Hz	486~389Pa	363~2410m³/h	1440±10r/min	450W

### Flow Rate Curve



Air Flow	Static Pressure	Total Pressure	Speed	Noise Level
363m³/h	484Pa	486Pa	1280r/min	67.0dB(A)
473m³/h	455Pa	459Pa	1310r/min	67.3dB(A)
614m³/h	448Pa	455Pa	1370r/min	67.8dB(A)
1269m³/h	421Pa	447Pa	1395r/min	66.3dB(A)
1623m³/h	408Pa	451Pa	1382r/min	66.9dB(A)
1664m³/h	399Pa	445Pa	1373r/min	67.5dB(A)
1784m³/h	384Pa	436Pa	1360r/min	67.4dB(A)
1836m³/h	366Pa	421Pa	1341r/min	67.0dB(A)
2190m³/h	334Pa	413Pa	1325r/min	66.1dB(A)
2410m³/h	294Pa	389Pa	1309r/min	65.6dB(A)

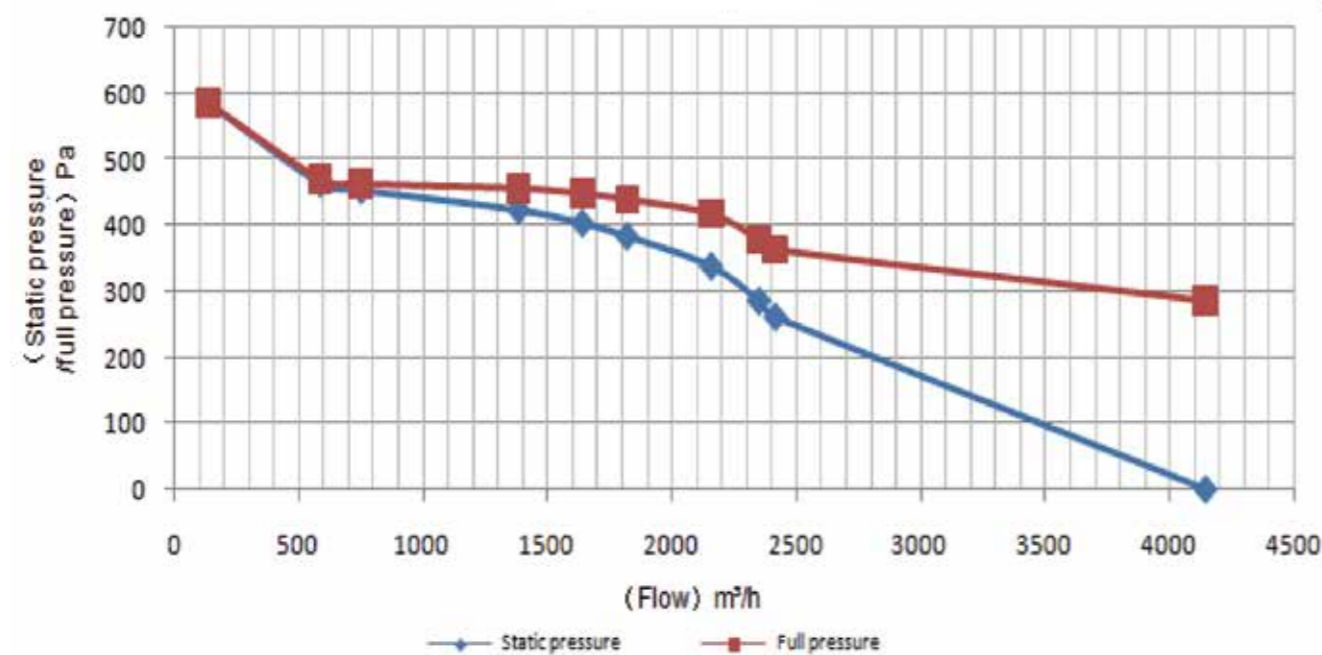
## DD9-9 (EC Motor)



### Technical Specifications

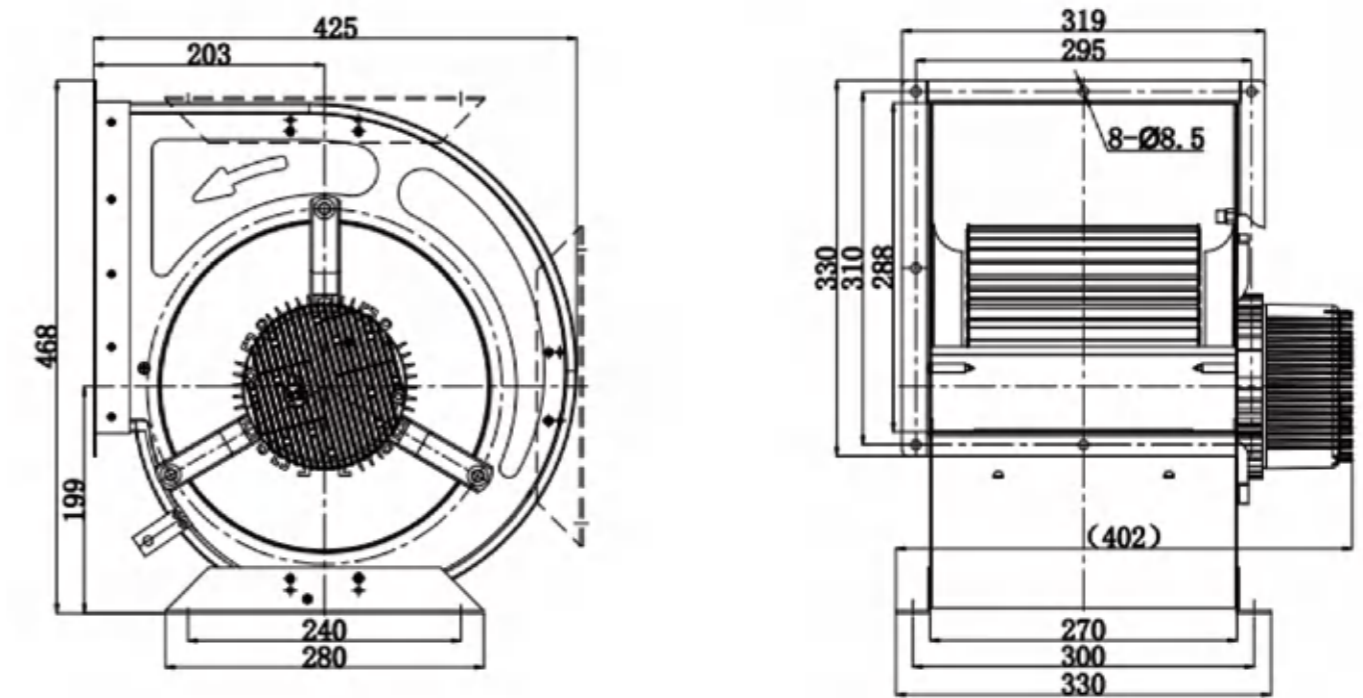
Model	Voltage	Frequency	Full Pressure	Flow Rate	Rotating Speed	Motor Power
LWDD9-9-EC	220V	50Hz	587~285Pa	139~4146m³/h	1440±10r/min	450W

### Flow Rate Curve



Air Flow	Static Pressure	Total Pressure	Speed	Noise Level
139m³/h	587Pa	587Pa	1444r/min	63.2dB(A)
590m³/h	465Pa	471Pa	1436r/min	64.2dB(A)
755m³/h	455Pa	464Pa	1427r/min	64.4dB(A)
1387m³/h	425Pa	457Pa	1399r/min	64.0dB(A)
1643m³/h	405Pa	449Pa	1370r/min	64.2dB(A)
1823m³/h	385Pa	440Pa	1362r/min	64.8dB(A)
2161m³/h	340Pa	418Pa	1348r/min	65.2dB(A)
2353m³/h	287Pa	378Pa	1315r/min	65.9dB(A)
2419m³/h	263Pa	363Pa	1211r/min	65.9dB(A)
4146m³/h	2.4Pa	285Pa	1176r/min	66.8dB(A)

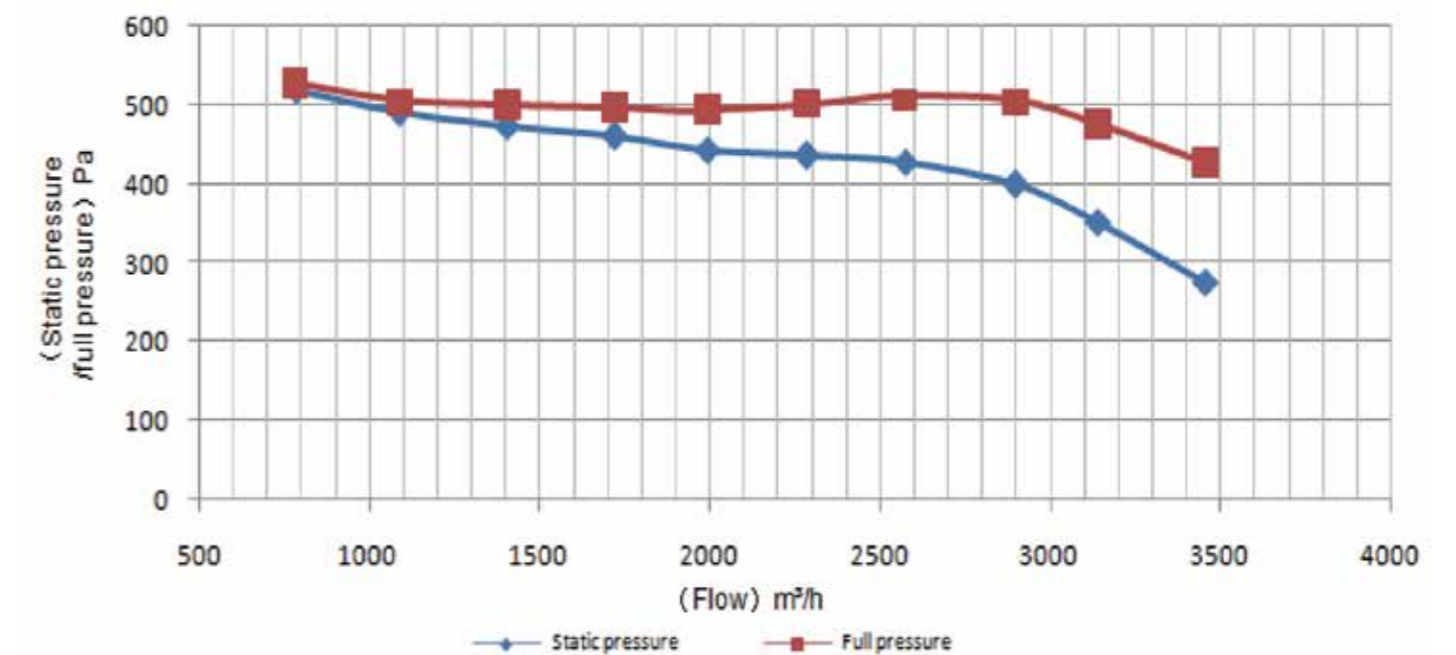
## DD10-8 (EC Motor)



### Technical Specifications

Model	Voltage	Frequency	Full Pressure	Flow Rate	Rotating Speed	Motor Power
LWDD10-8-EC	220V	50Hz	528~427Pa	785~3458m³/h	1440±10r/min	550W

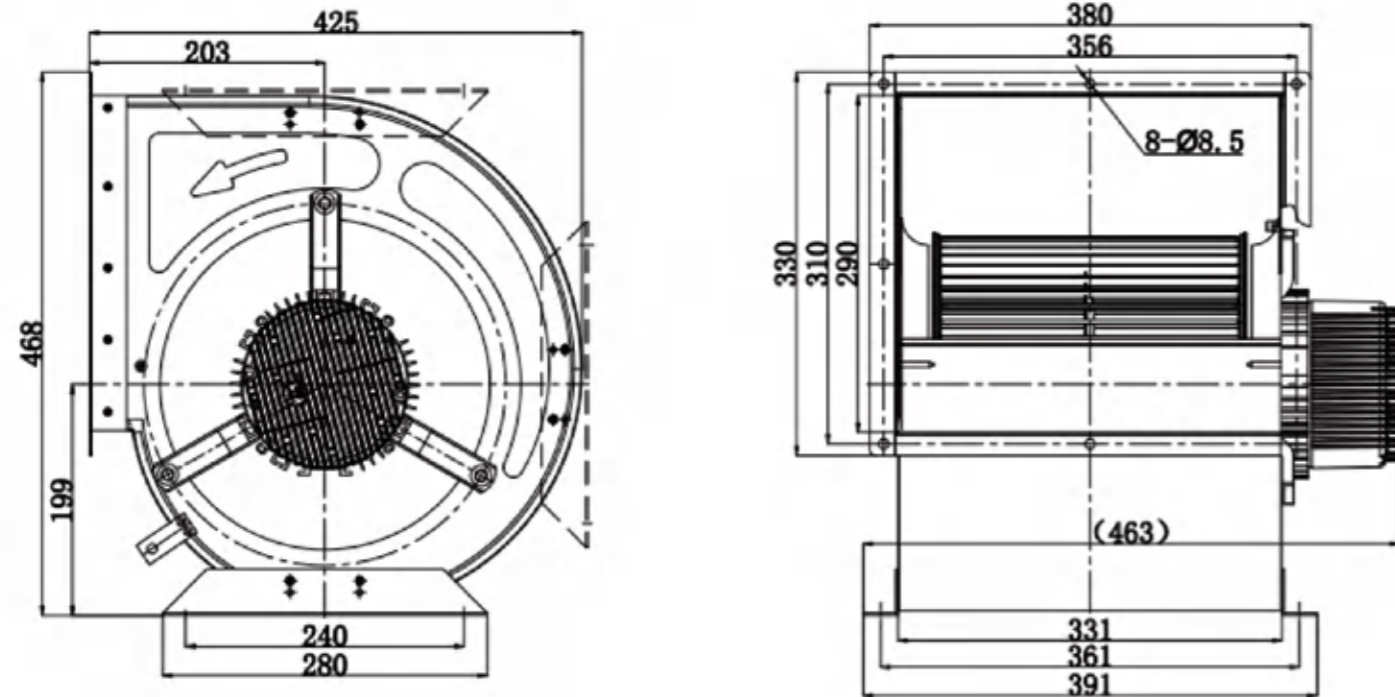
### Flow Rate Curve



Air Flow	Static Pressure	Total Pressure	Speed	Noise Level
785m³/h	520Pa	528Pa	1445r/min	63.5dB(A)
1090m³/h	491Pa	506Pa	1438r/min	63.2dB(A)
1407m³/h	475Pa	500Pa	1429r/min	64.1dB(A)
1723m³/h	460Pa	497Pa	1411r/min	64.7dB(A)
1995m³/h	444Pa	494Pa	1377r/min	63.8dB(A)
2289m³/h	436Pa	502Pa	1343r/min	65.0dB(A)
2575m³/h	429Pa	512Pa	1301r/min	64.1dB(A)
2901m³/h	400Pa	506Pa	1253r/min	65.5dB(A)
3142m³/h	353Pa	477Pa	1193r/min	65.8dB(A)
3458m³/h	277Pa	427Pa	1106r/min	66.2dB(A)



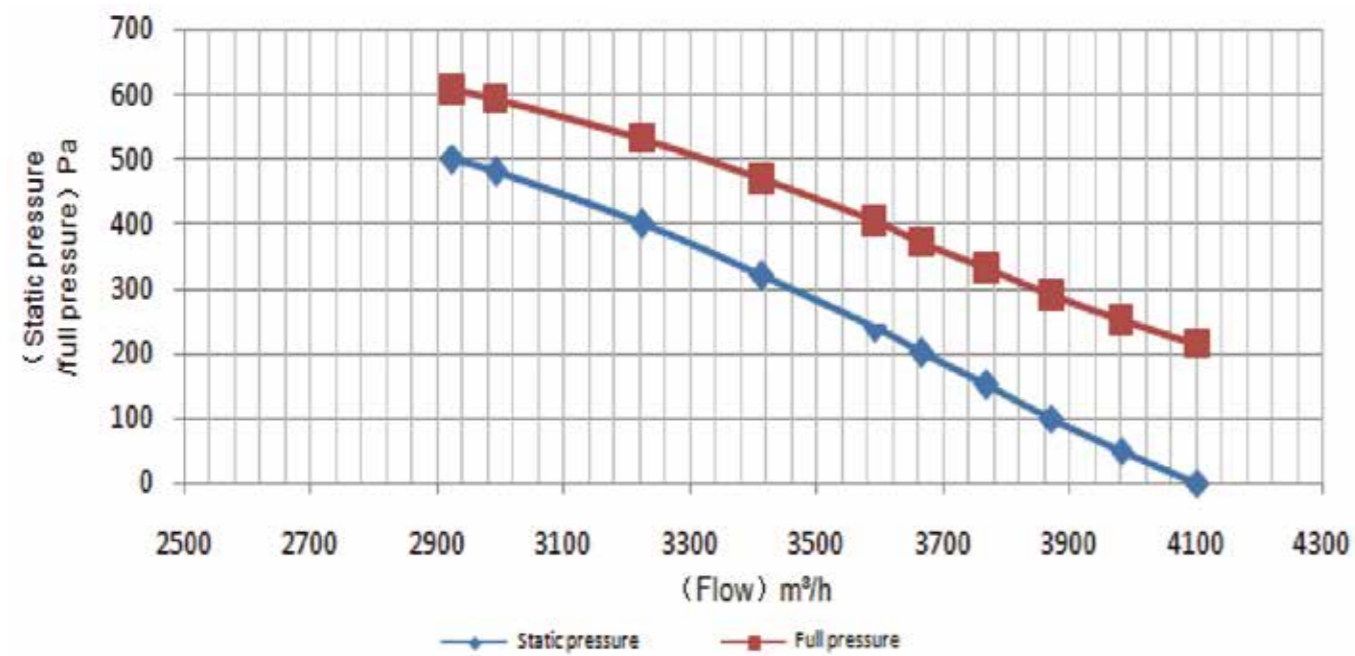
## DD10-10 (EC Motor)



### Technical Specifications

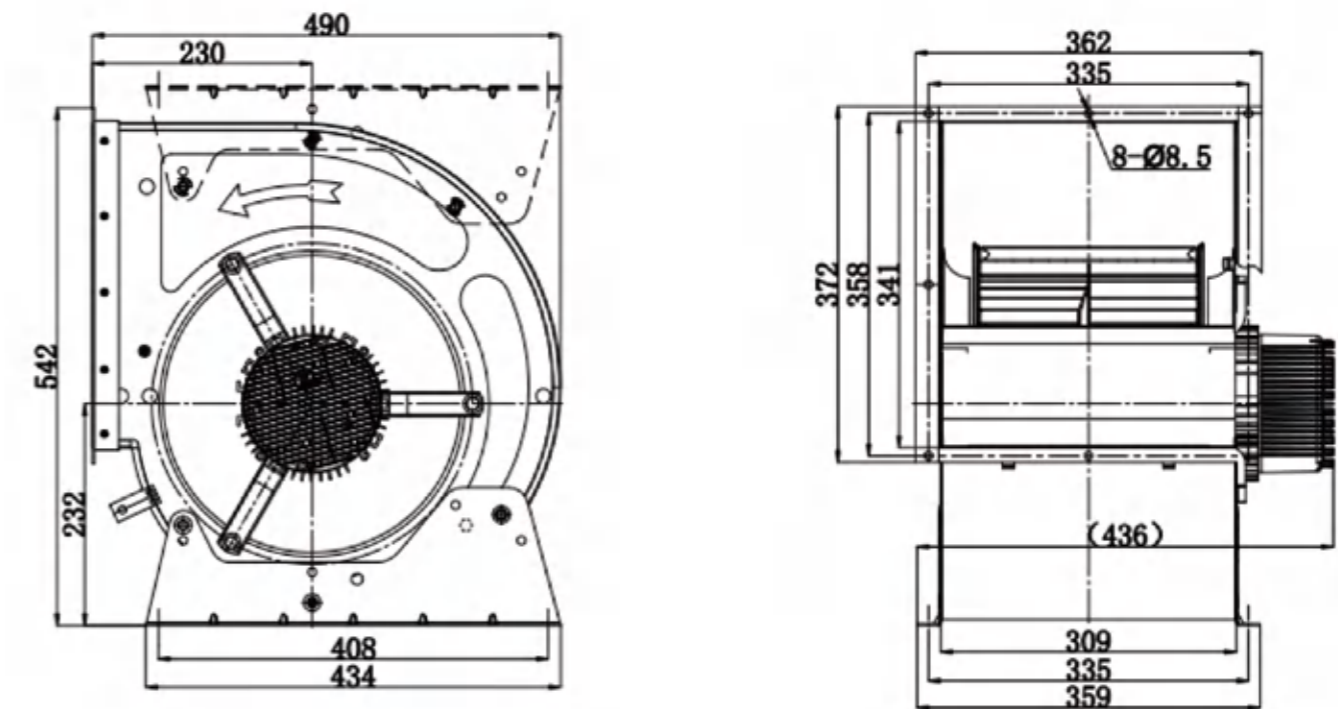
Model	Voltage	Frequency	Full Pressure	Flow Rate	Rotating Speed	Motor Power
LWDD10-10-EC	220V	50Hz	608~214Pa	2923~4102m³/h	1440±30r/min	750W

### Flow Rate Curve



Air Flow	Static Pressure	Total Pressure	Speed	Noise Level
2923m³/h	500Pa	608Pa	1465r/min	65.5dB(A)
2993m³/h	480Pa	594Pa	1430r/min	65.6dB(A)
3224m³/h	400Pa	532Pa	1320r/min	66.3dB(A)
3413m³/h	320Pa	468Pa	1230r/min	67.5dB(A)
3592m³/h	240Pa	404Pa	1140r/min	68.5dB(A)
3667m³/h	200Pa	371Pa	1100r/min	68.8dB(A)
3769m³/h	150Pa	330Pa	1030r/min	69.0dB(A)
3871m³/h	100Pa	290Pa	990r/min	69.2dB(A)
3982m³/h	50Pa	251Pa	930r/min	69.5dB(A)
4102m³/h	0Pa	214Pa	860r/min	69.7dB(A)

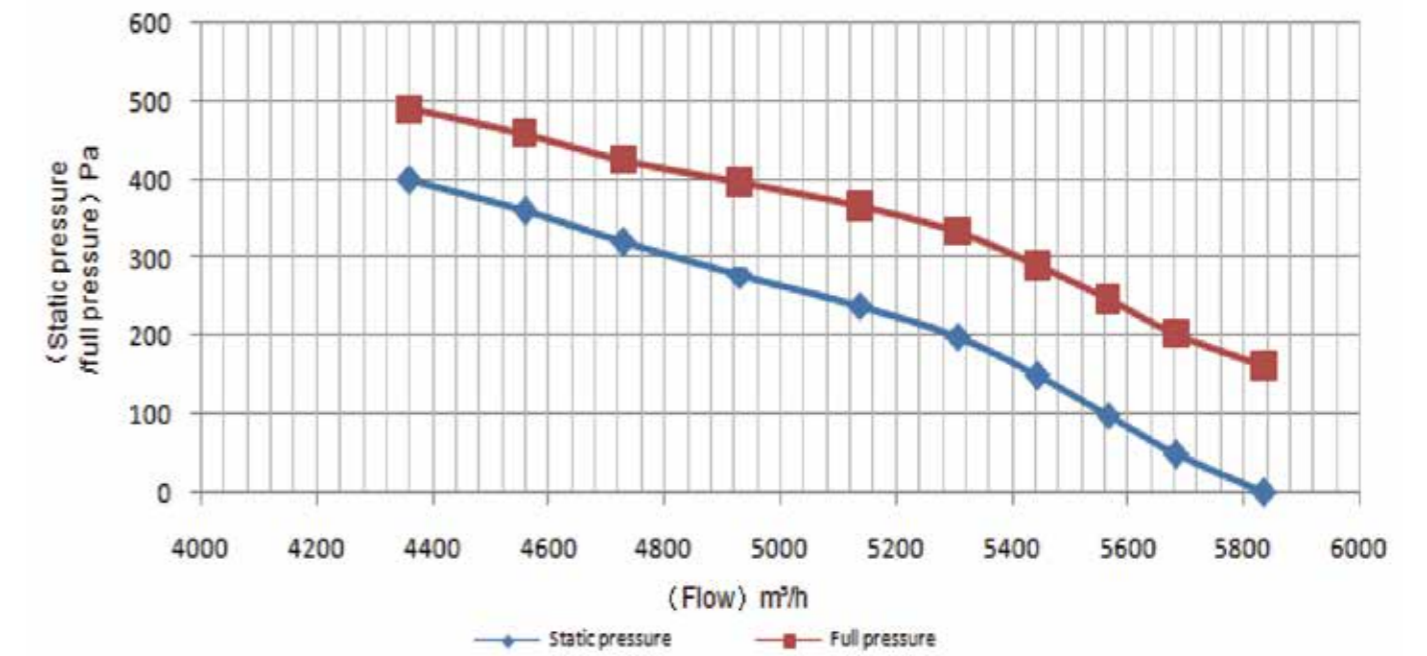
## DD12-9 (EC Motor)



### Technical Specifications

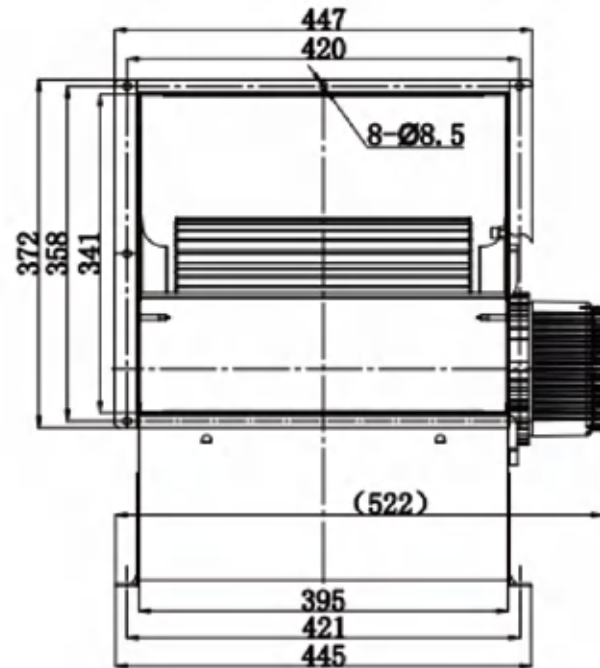
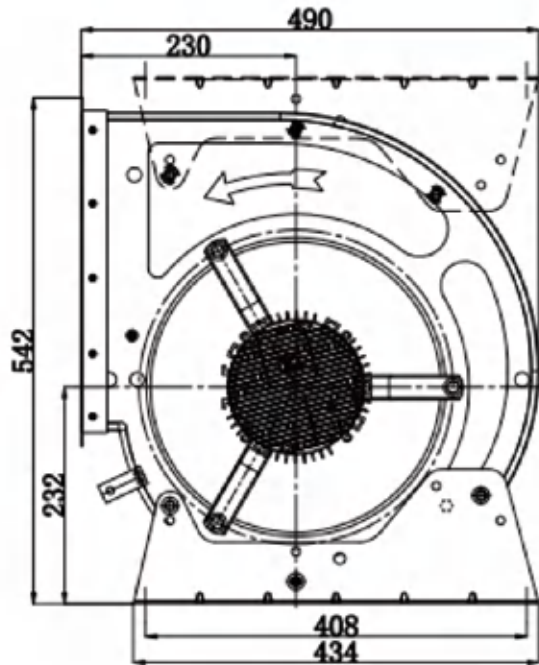
Model	Voltage	Frequency	Full Pressure	Flow Rate	Rotating Speed	Motor Power
LWDD12-9-EC	220V	50Hz	491~162Pa	4362~5836m³/h	1100±10r/min	900W

### Flow Rate Curve



Air Flow	Static Pressure	Total Pressure	Speed	Noise Level
4362m³/h	400Pa	491Pa	1100r/min	70.0dB(A)
4560m³/h	360Pa	459Pa	1070r/min	70.1dB(A)
4730m³/h	320Pa	426Pa	1030r/min	70.3dB(A)
4931m³/h	280Pa	396Pa	1000r/min	70.7dB(A)
5138m³/h	240Pa	366Pa	965r/min	71.0dB(A)
5308m³/h	200Pa	334Pa	930r/min	71.1dB(A)
5446m³/h	150Pa	291Pa	880r/min	71.1dB(A)
5567m³/h	100Pa	247Pa	840r/min	71.2dB(A)
5686m³/h	50Pa	203Pa	790r/min	71.3dB(A)
5836m³/h	0Pa	162Pa	720r/min	71.5dB(A)

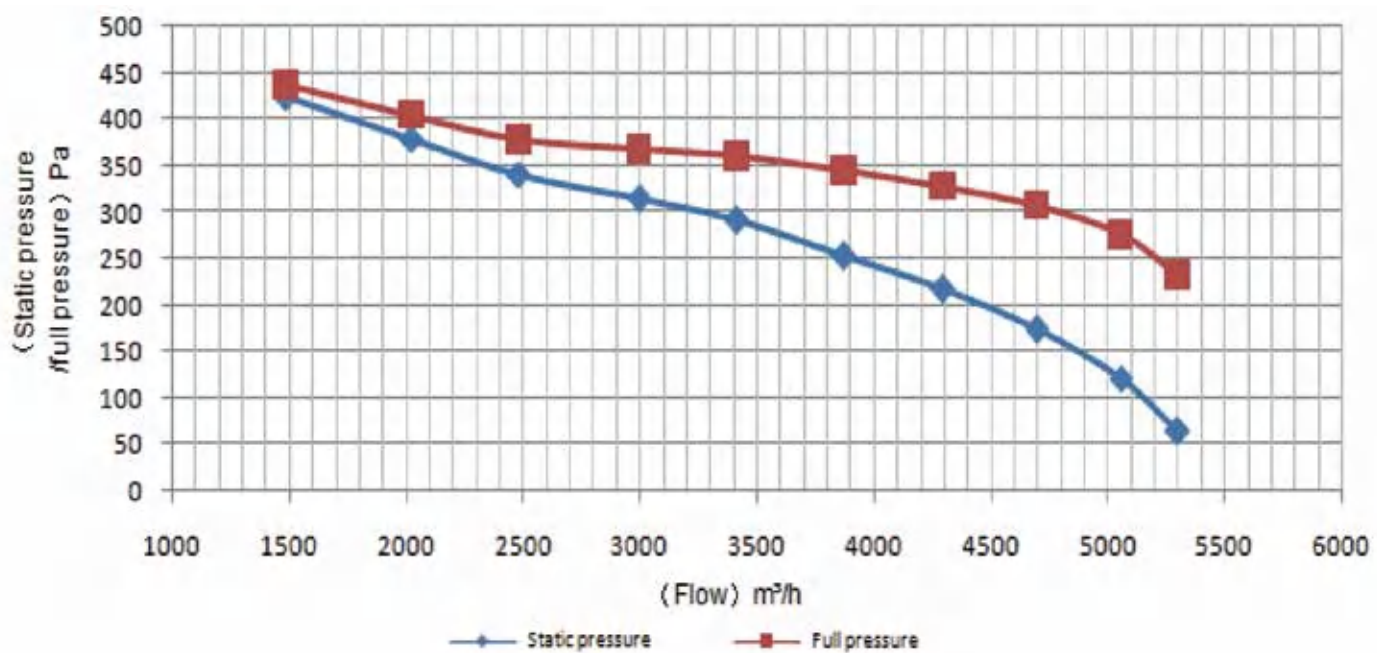
# DD12-12 (EC Motor)



## Technical Specifications

Model	Voltage	Frequency	Full Pressure	Flow Rate	Rotating Speed	Motor Power
LWDD12-12-EC	220V	50Hz	437~233Pa	1489~5298m <sup>3</sup> /h	960±10r/min	900W

## Flow Rate Curve



Air Flow	Static Pressure	Total Pressure	Speed	Noise Level
1489m <sup>3</sup> /h	424Pa	437Pa	1095r/min	66.3dB(A)
2025m <sup>3</sup> /h	380Pa	405Pa	1065r/min	66.6dB(A)
2484m <sup>3</sup> /h	341Pa	378Pa	1025r/min	67.2dB(A)
2998m <sup>3</sup> /h	314Pa	368Pa	1003r/min	67.8dB(A)
3415m <sup>3</sup> /h	291Pa	361Pa	960r/min	68.7dB(A)
3877m <sup>3</sup> /h	253Pa	345Pa	910r/min	69.0dB(A)
4294m <sup>3</sup> /h	218Pa	329Pa	871r/min	70.5dB(A)
4697m <sup>3</sup> /h	175Pa	308Pa	829r/min	71.3dB(A)
5059m <sup>3</sup> /h	122Pa	277Pa	783r/min	70.7dB(A)
5298m <sup>3</sup> /h	64Pa	233Pa	722r/min	70.4dB(A)