

EC Super Silent Duct Fans

- Mix type of impeller with high efficiency
- The fan is compact, so it is easy to installation and repair
- It is designed for direct connection in line with standard diameter circular ducting
- EC type is available



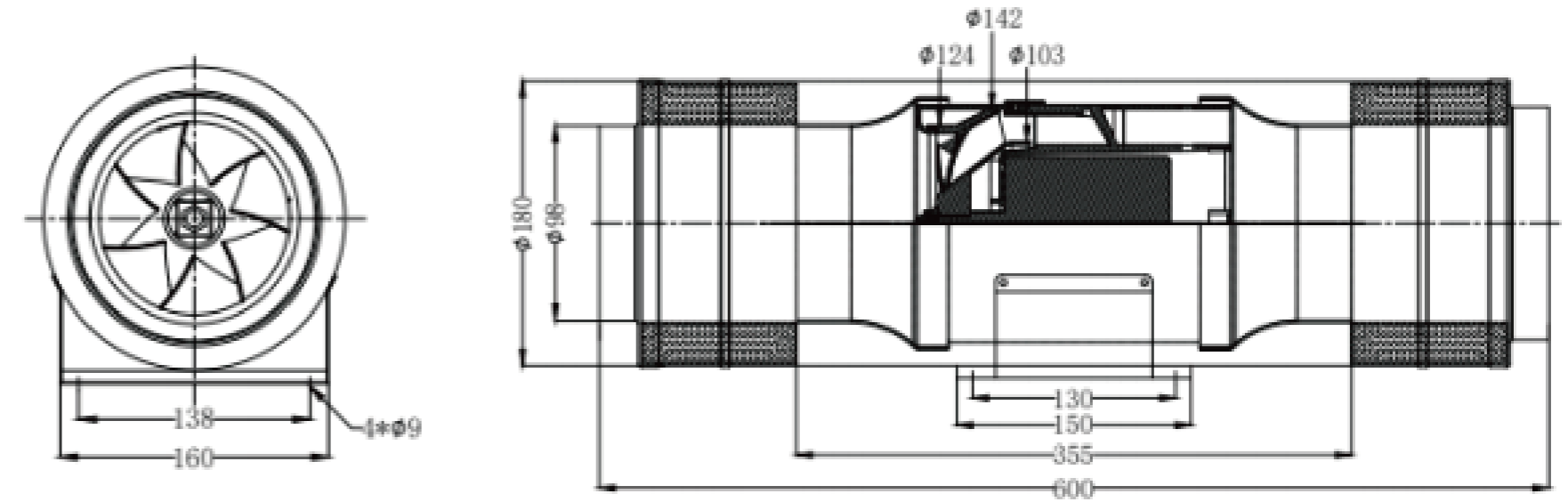
LWDE-100(4") Series

Product Characteristic

- Material: Metal
- Voltage: EC Technology
- Type of Operation: IP54
- Mode of Operation: S1
- Working Temp: 60 C
- Speed Control Type: PWM Control Type 0-5V

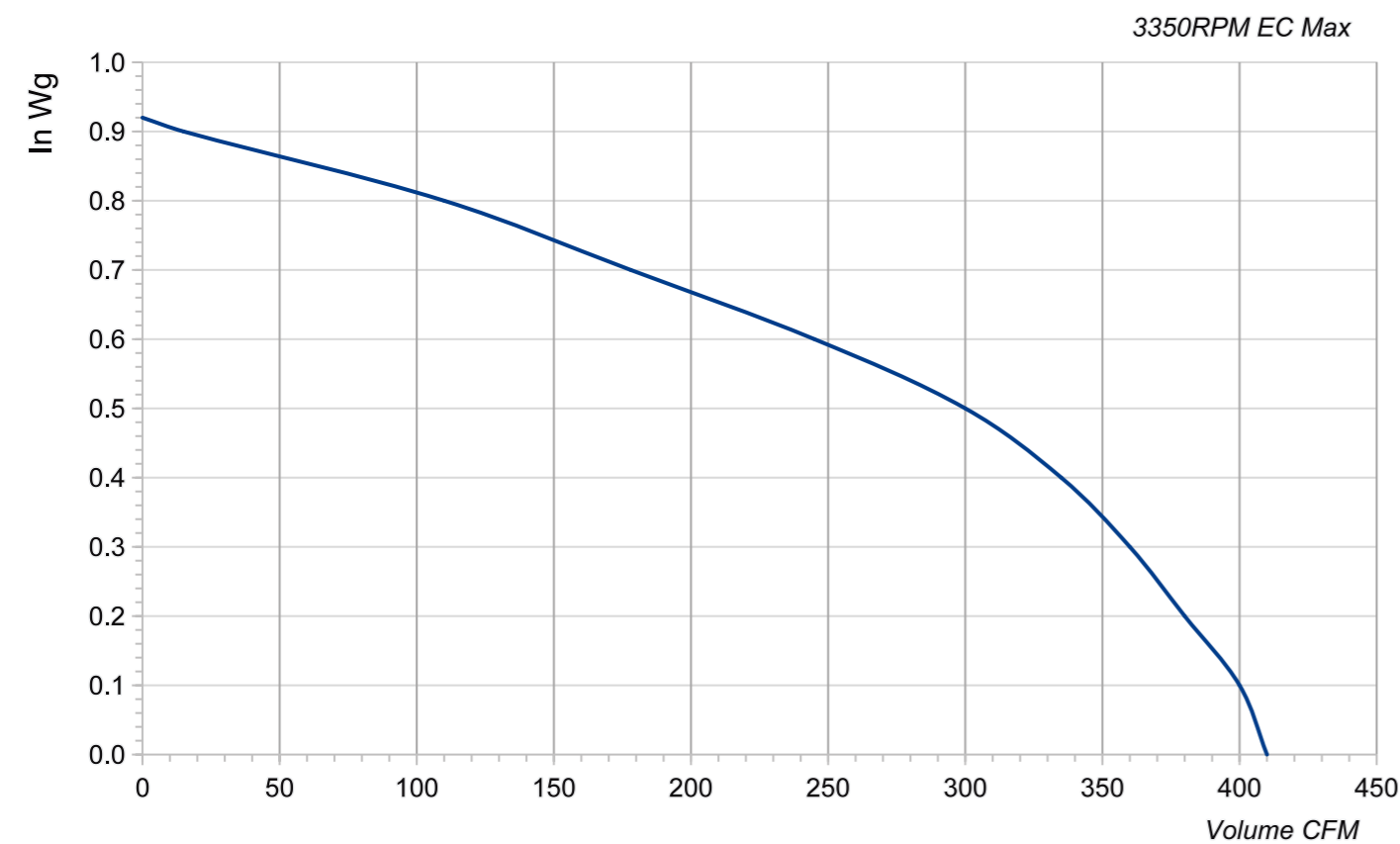


Product Drawing (mm)



Technical Specifications

Model	Voltage (V)	Frequency (Hz)	Maximum Flow Value (CFM)	Working Power (W)	Speed (RPM)	Noise [dB(A)]
LWDE-100(4")U-MWN-03	110-120	60	410	35	3350	51



LWDE-100(4") Series

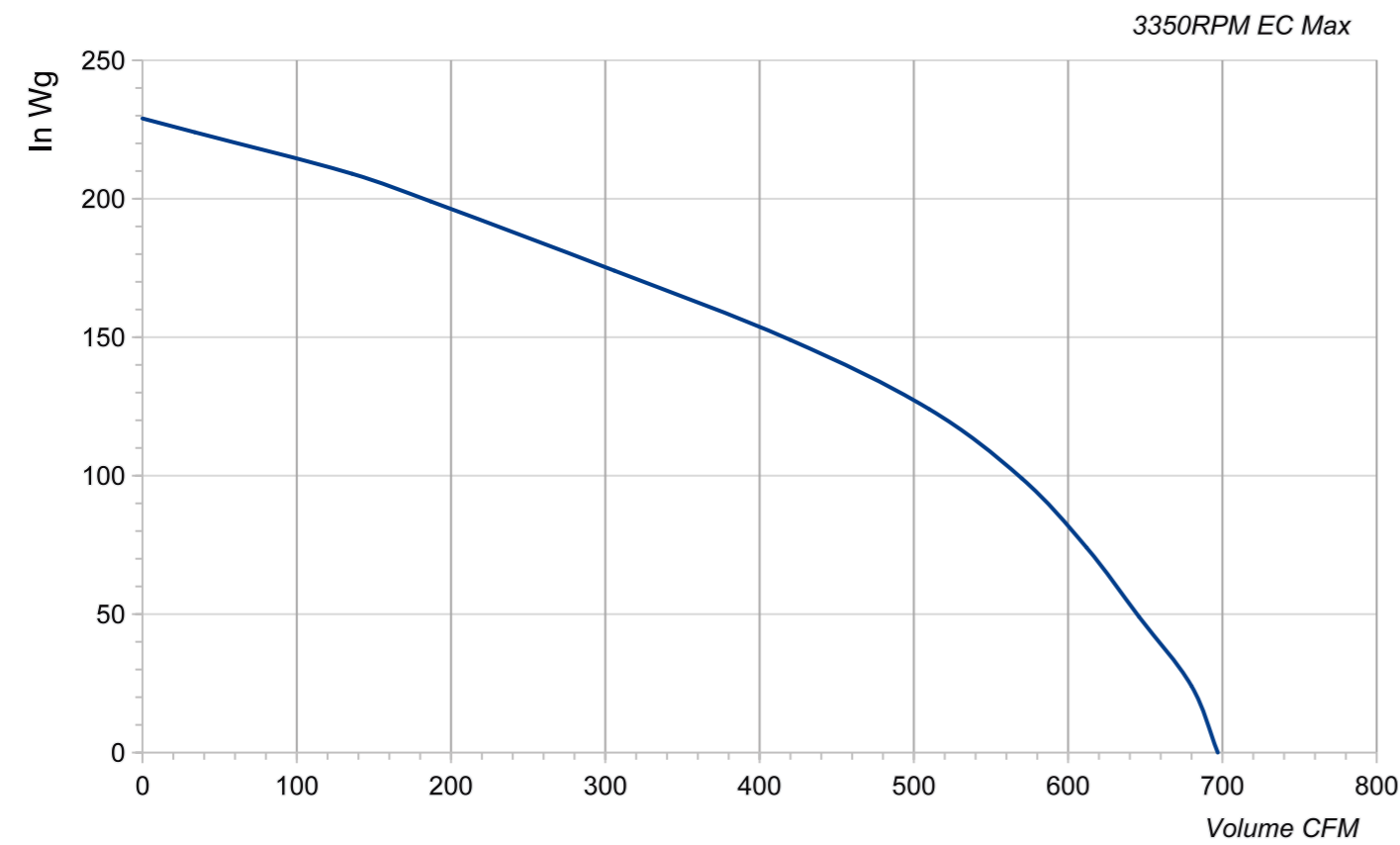
Product Characteristic

- Material: Metal
- Voltage: EC Technology
- Type of Operation: IP54
- Mode of Operation: S1
- Working Temp: 60 C
- Speed Control Type: PWM Control Type 0-5V

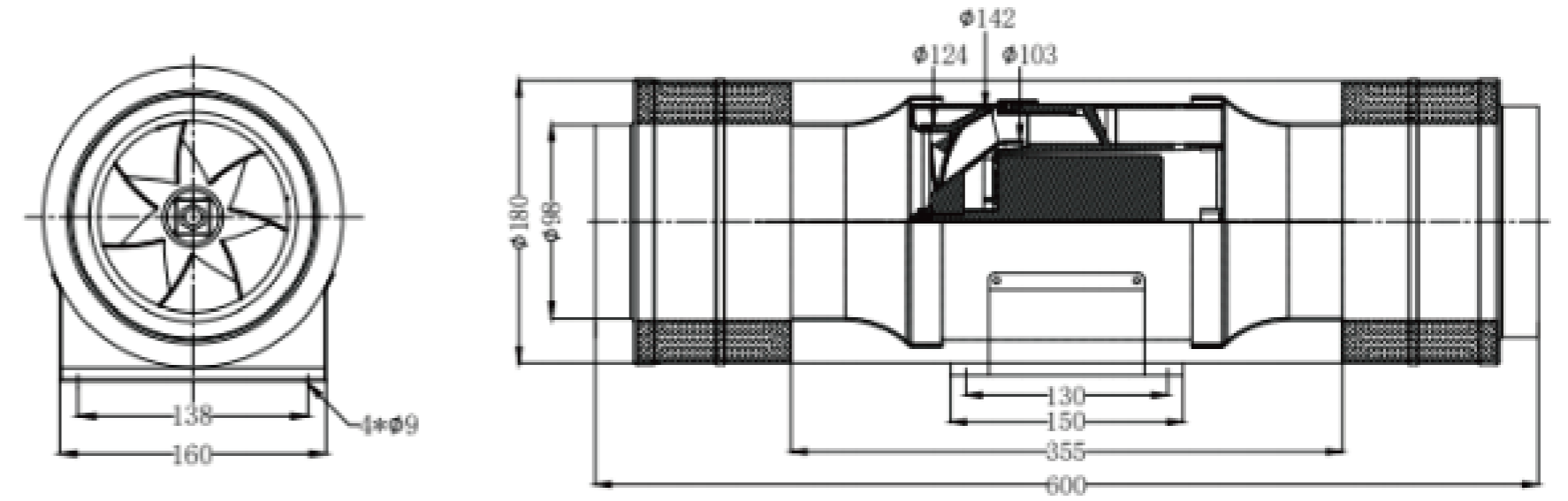


Technical Specifications

Model	Voltage (V)	Frequency (Hz)	Maximum Flow Value (CMH)	Working Power (W)	Speed (RPM)	Noise [dB(A)]
LWDE-100(4")S-MWN-04	220-240	50/60	697	35	3350	51



Product Drawing (mm)



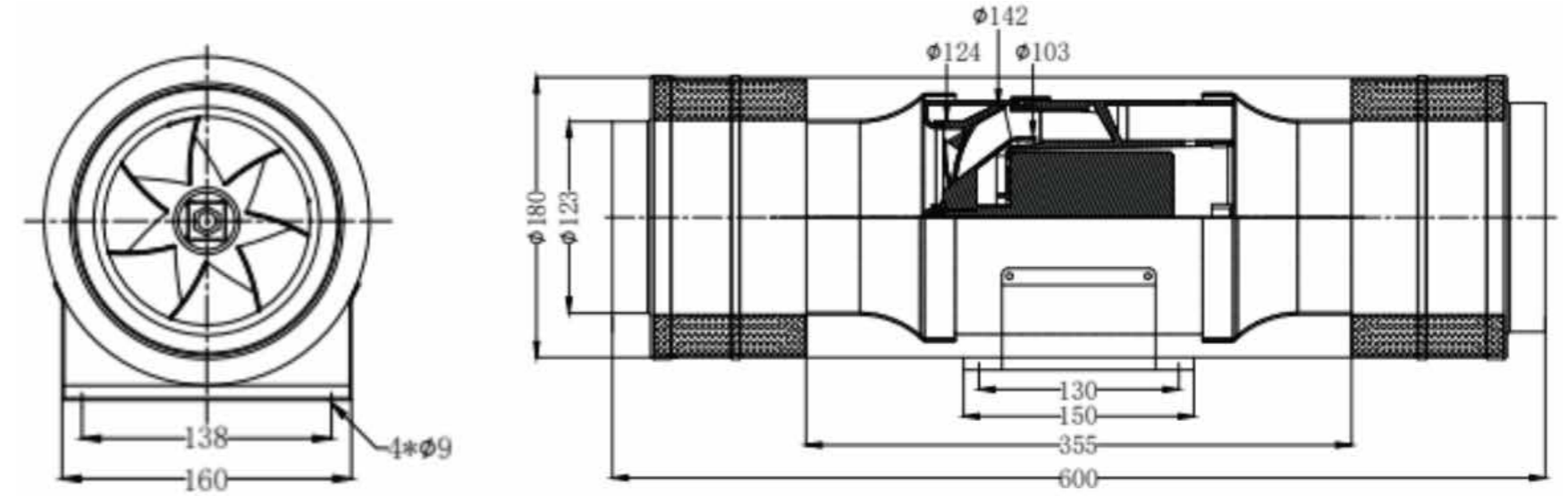
LWDE-125(5") Series

Product Characteristic

- Material: Metal
- Voltage: EC Technology
- Type of Operation: IP54
- Mode of Operation: S1
- Working Temp: 60 C
- Speed Control Type: PWM Control Type 0-5V

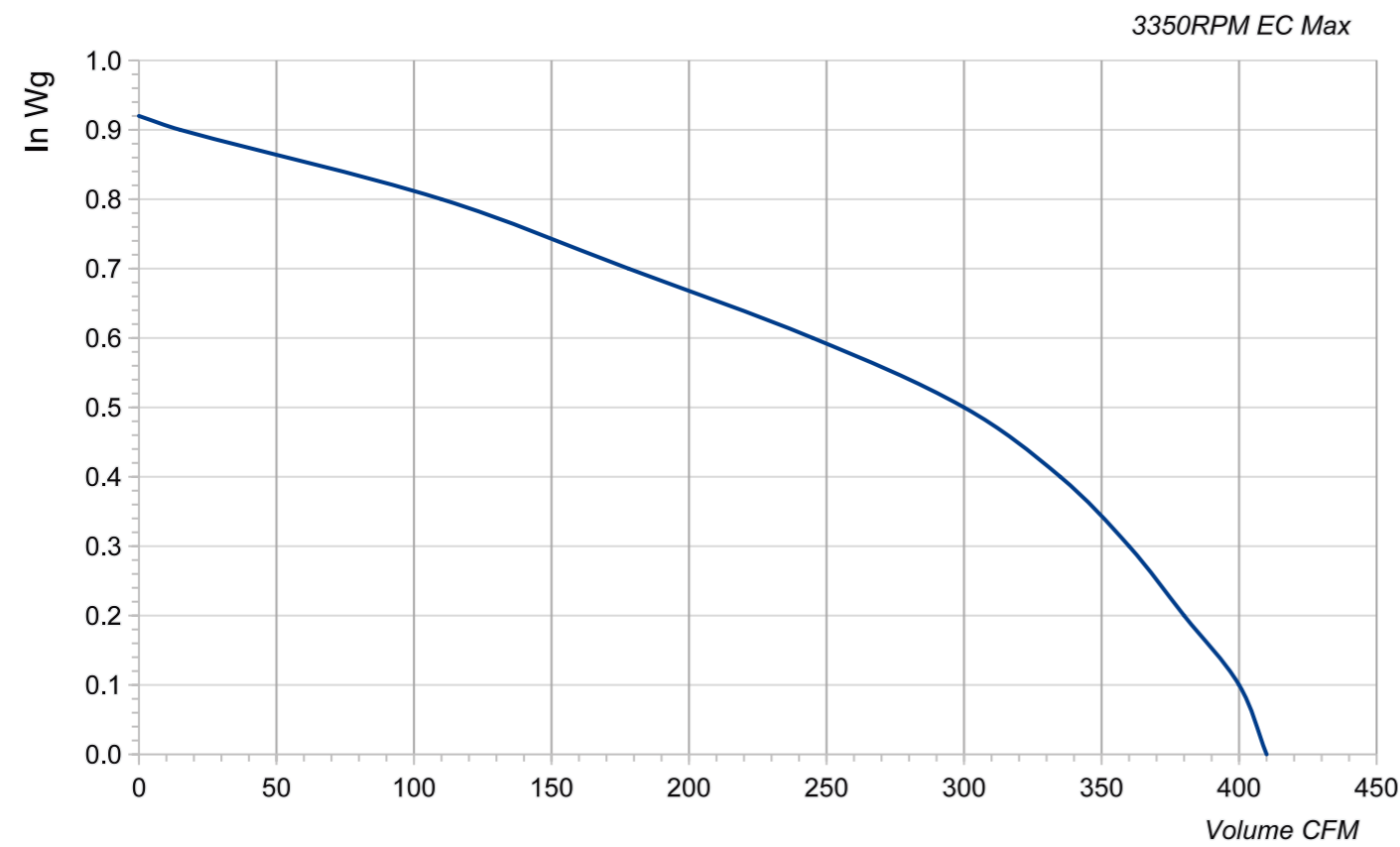


Product Drawing (mm)



Technical Specifications

Model	Voltage (V)	Frequency (Hz)	Maximum Flow Value (CFM)	Working Power (W)	Speed (RPM)	Noise [dB(A)]
LWDE-125(5")U-MWN-03	110-120	60	410	35	3350	51



LWDE-125(5") Series

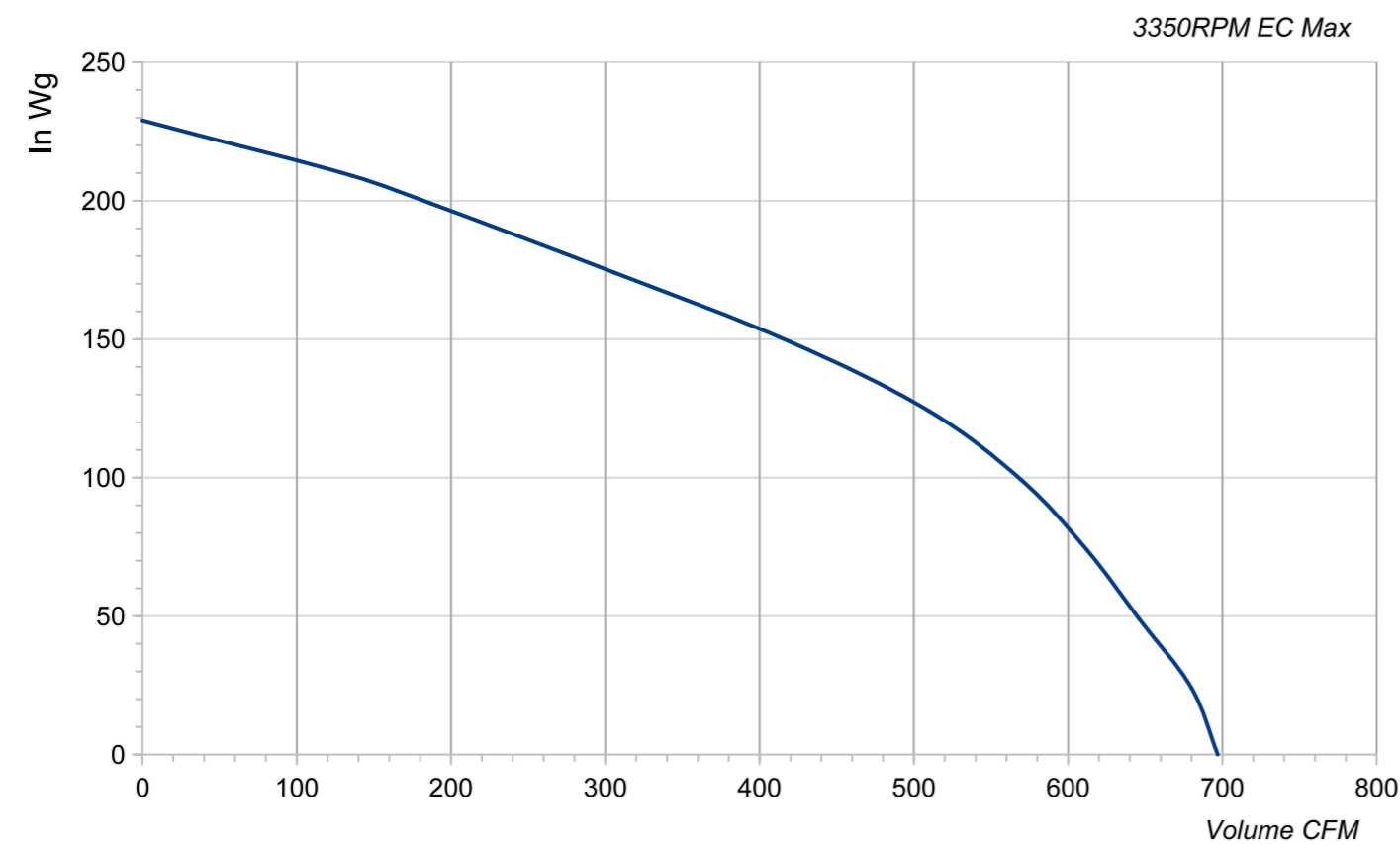
Product Characteristic

- Material: Metal
- Voltage: EC Technology
- Type of Operation: IP54
- Mode of Operation: S1
- Working Temp: 60 C
- Speed Control Type: PWM Control Type 0-5V

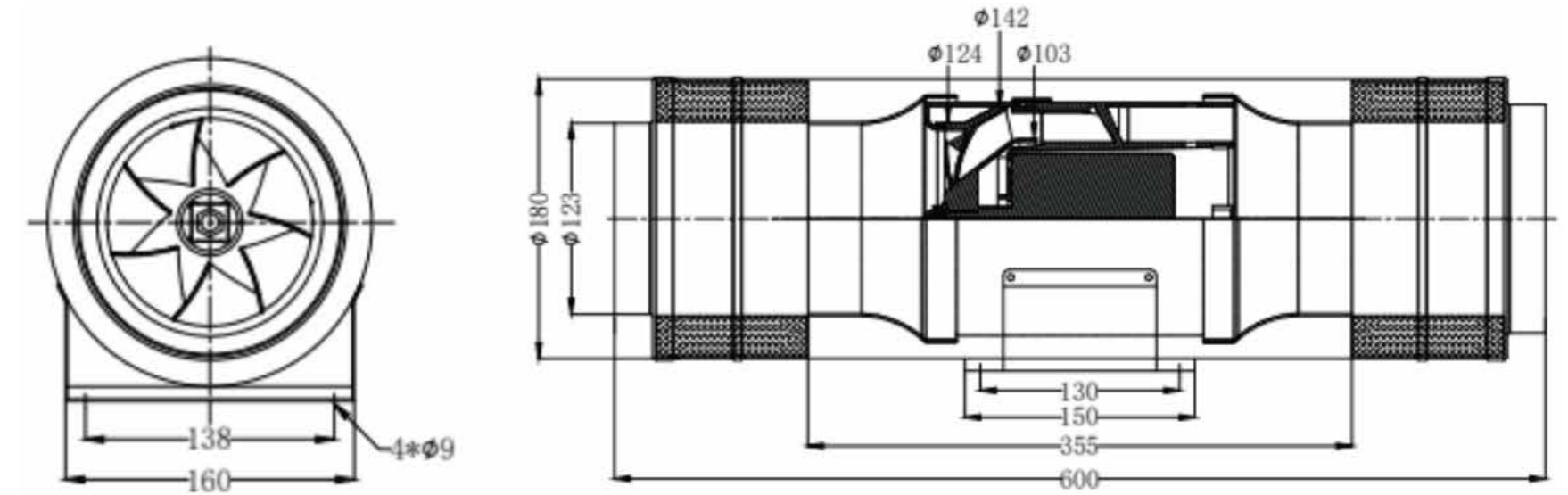


Technical Specifications

Model	Voltage (V)	Frequency (Hz)	Maximum Flow Value (CMH)	Working Power (W)	Speed (RPM)	Noise [dB(A)]
LWDE-125(5")S-MWN-04	220-240	50/60	697	35	3350	51



Product Drawing (mm)



LWDE-150(6") Series

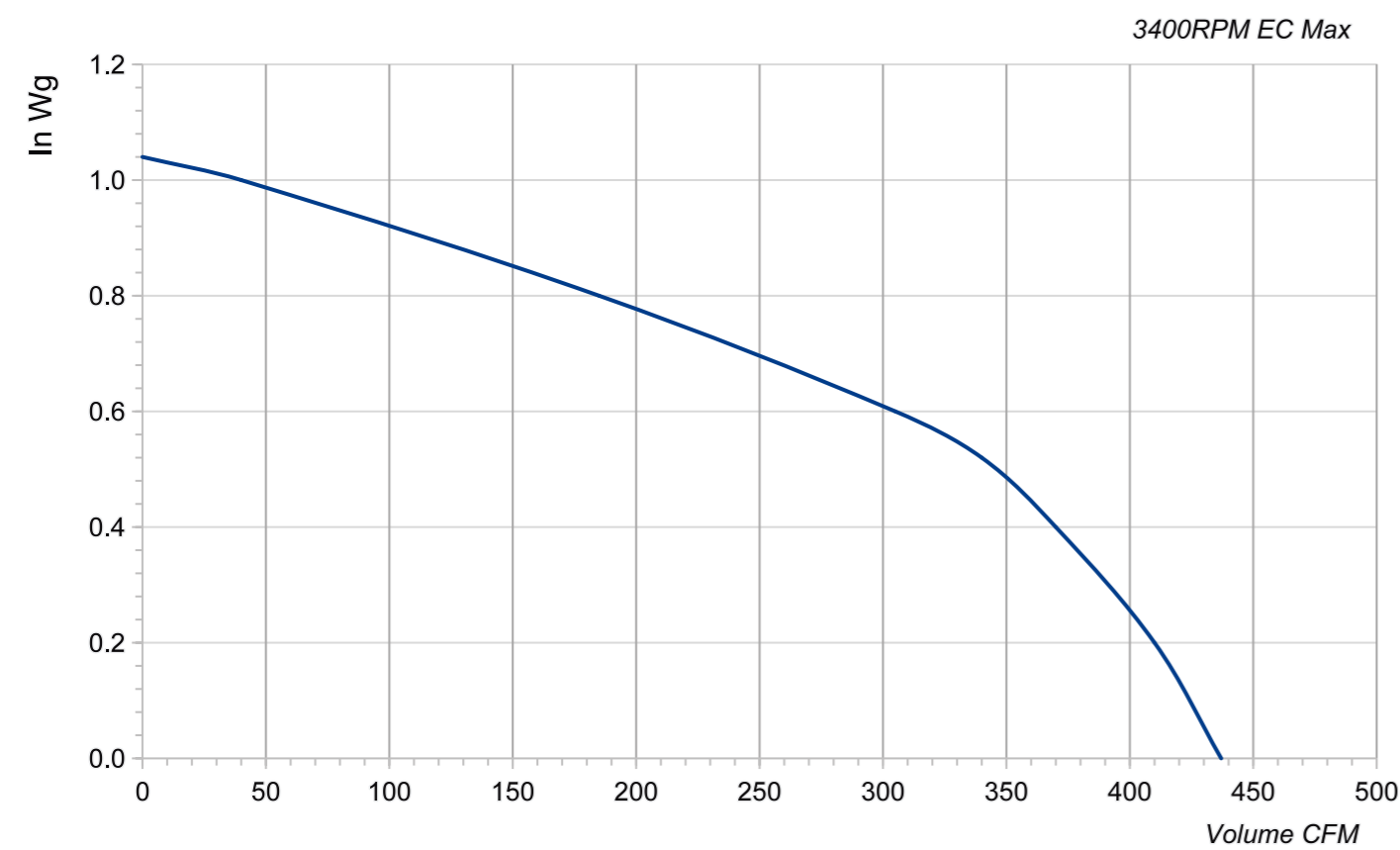
Product Characteristic

- Material: Metal
- Voltage: EC Technology
- Type of Operation: IP54
- Mode of Operation: S1
- Working Temp: 60 C
- Speed Control Type: PWM Control Type 0-5V

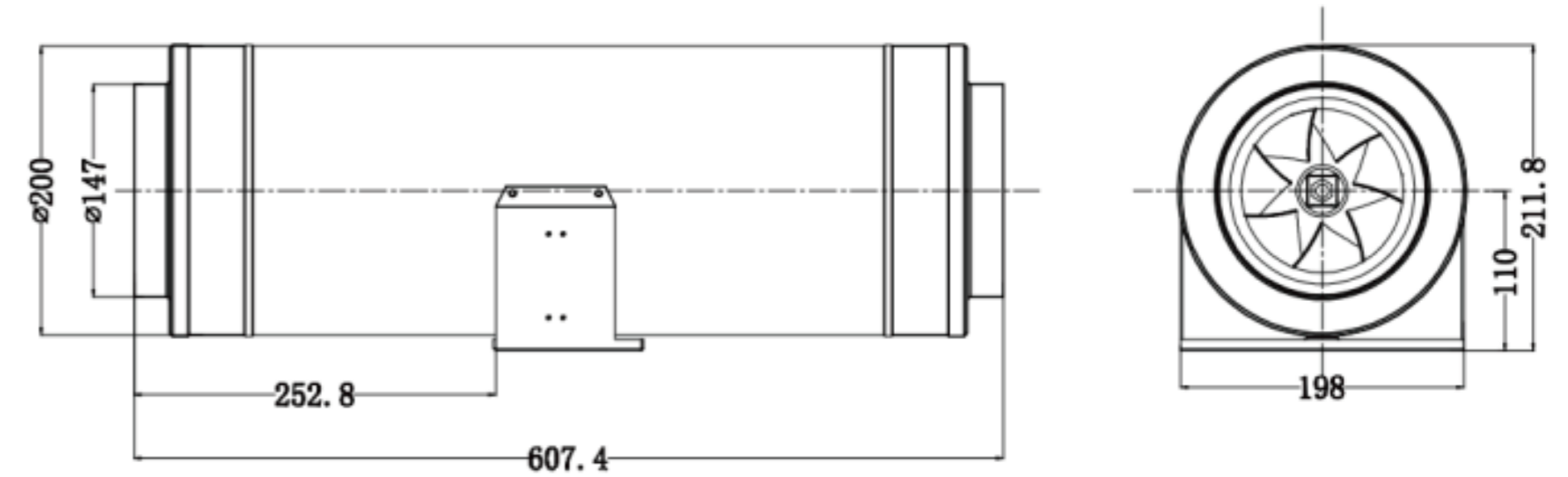


Technical Specifications

Model	Voltage (V)	Frequency (Hz)	Maximum Flow Value (CFM)	Working Power (W)	Speed (RPM)	Noise [dB(A)]
LWDE-150(6")U-MWN-03	110-120	60	437	35	3400	53



Product Drawing (mm)



LWDE-150(6") Series

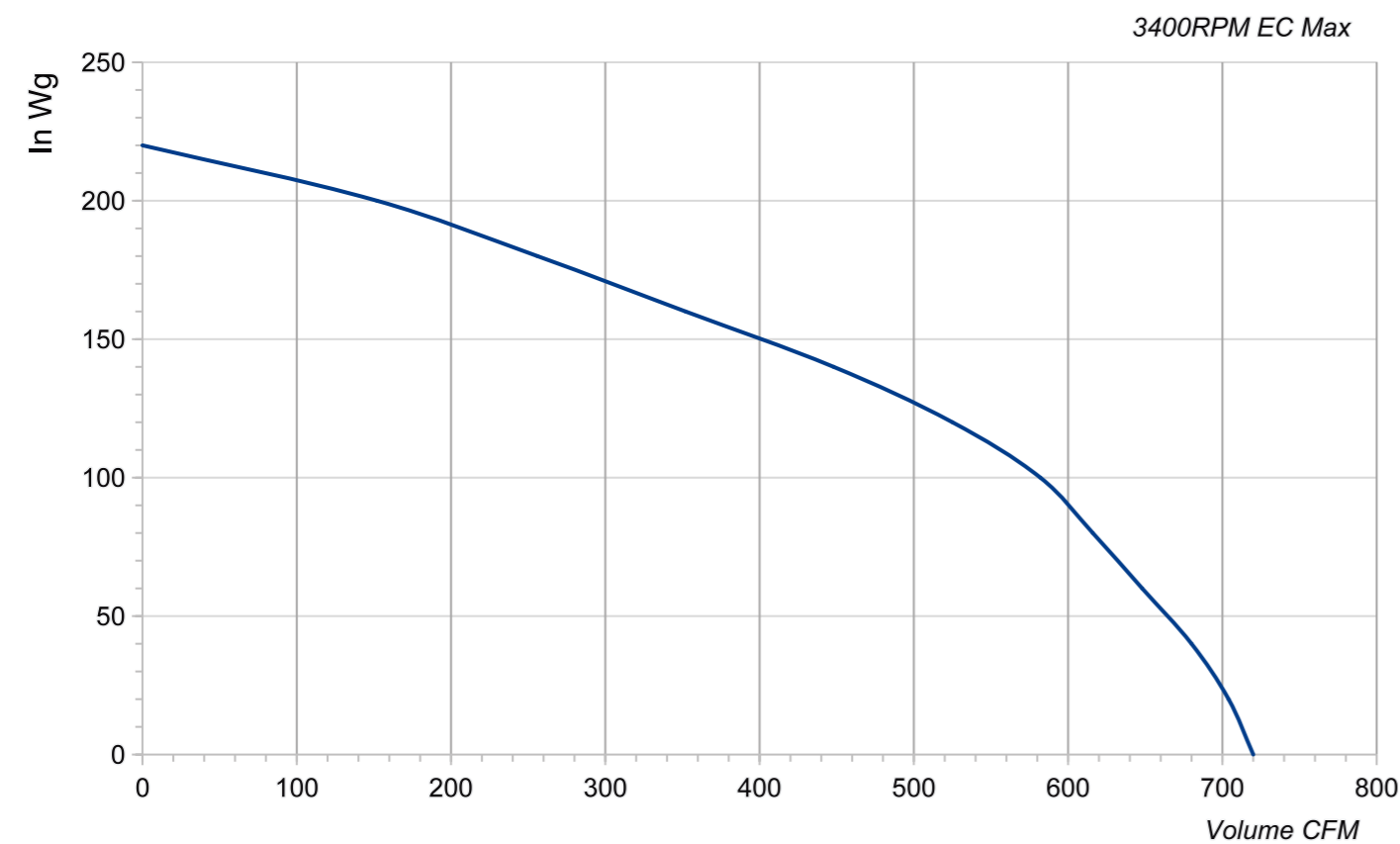
Product Characteristic

- Material: Metal
- Voltage: EC Technology
- Type of Operation: IP54
- Mode of Operation: S1
- Working Temp: 60 C
- Speed Control Type: PWM Control Type 0-5V

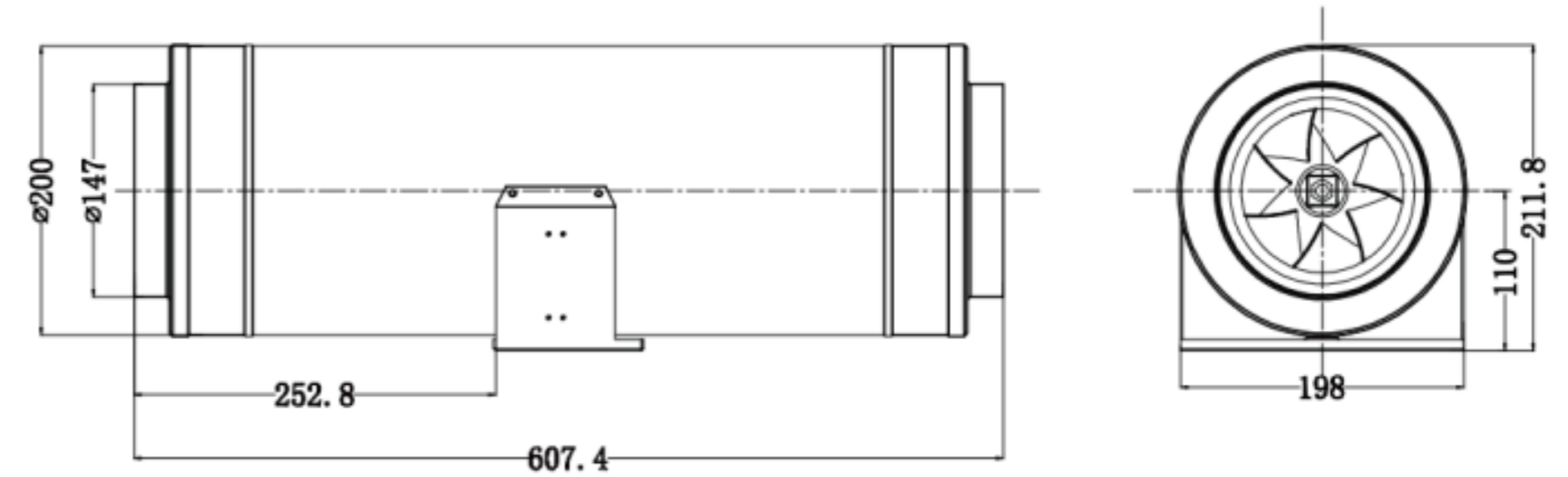


Technical Specifications

Model	Voltage (V)	Frequency (Hz)	Maximum Flow Value (CMH)	Working Power (W)	Speed (RPM)	Noise [dB(A)]
LWDE-150(6")S-MWN-04	220-240	50/60	720	35	3400	53



Product Drawing (mm)



LWDE-200(8") Series

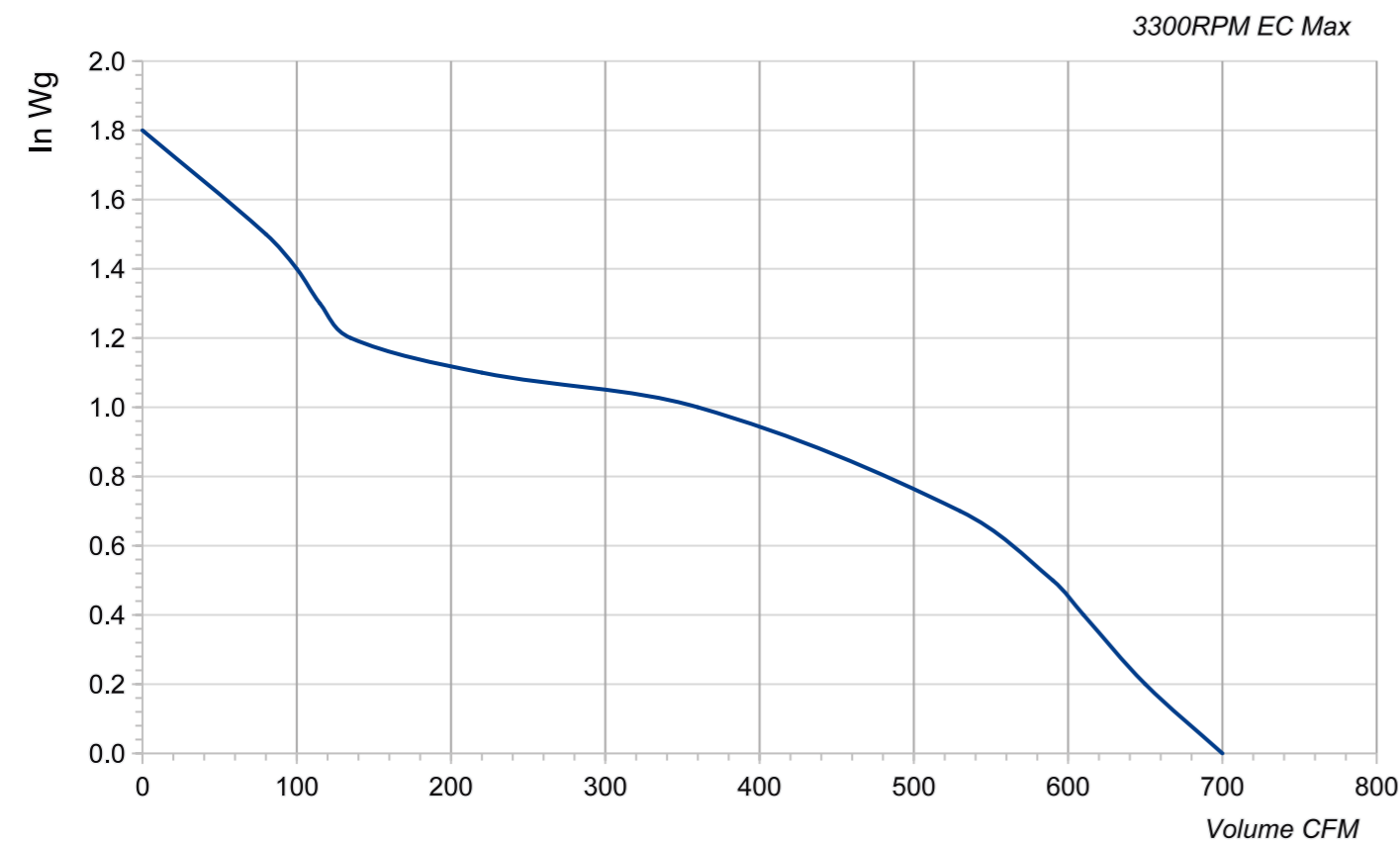
Product Characteristic

- Material: Metal
- Voltage: EC Technology
- Type of Operation: IP54
- Mode of Operation: S1
- Working Temp: 60 C
- Speed Control Type: PWM Control Type 0-5V

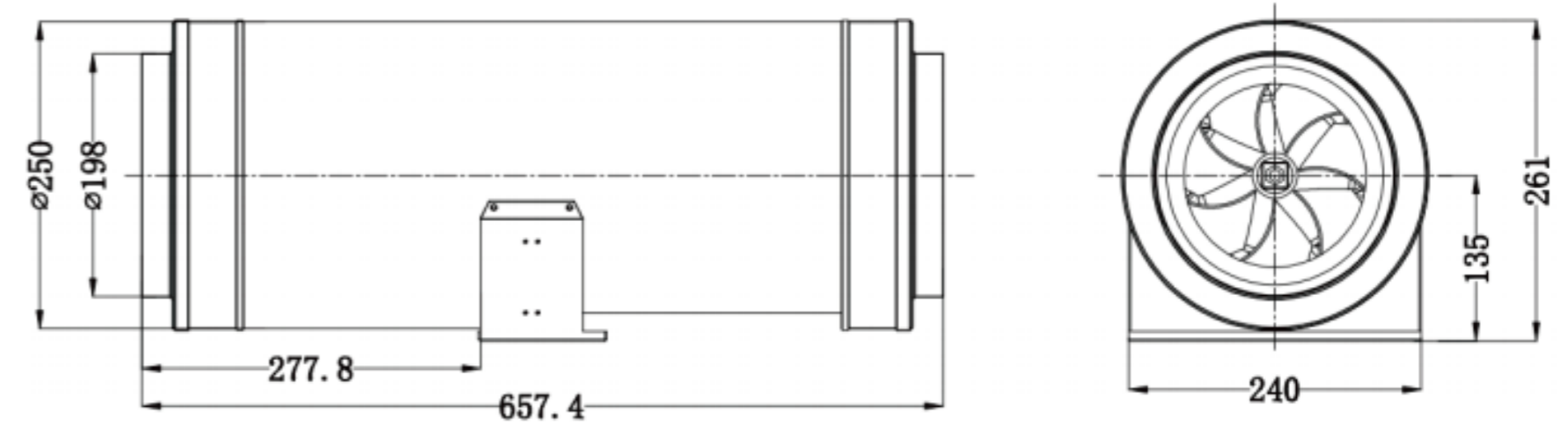


Technical Specifications

Model	Voltage (V)	Frequency (Hz)	Maximum Flow Value (CFM)	Working Power (W)	Speed (RPM)	Noise [dB(A)]
LWDE-200(8")U-MWN-03	110-120	60	700	140	3300	59



Product Drawing (mm)



LWDE-200(8") Series

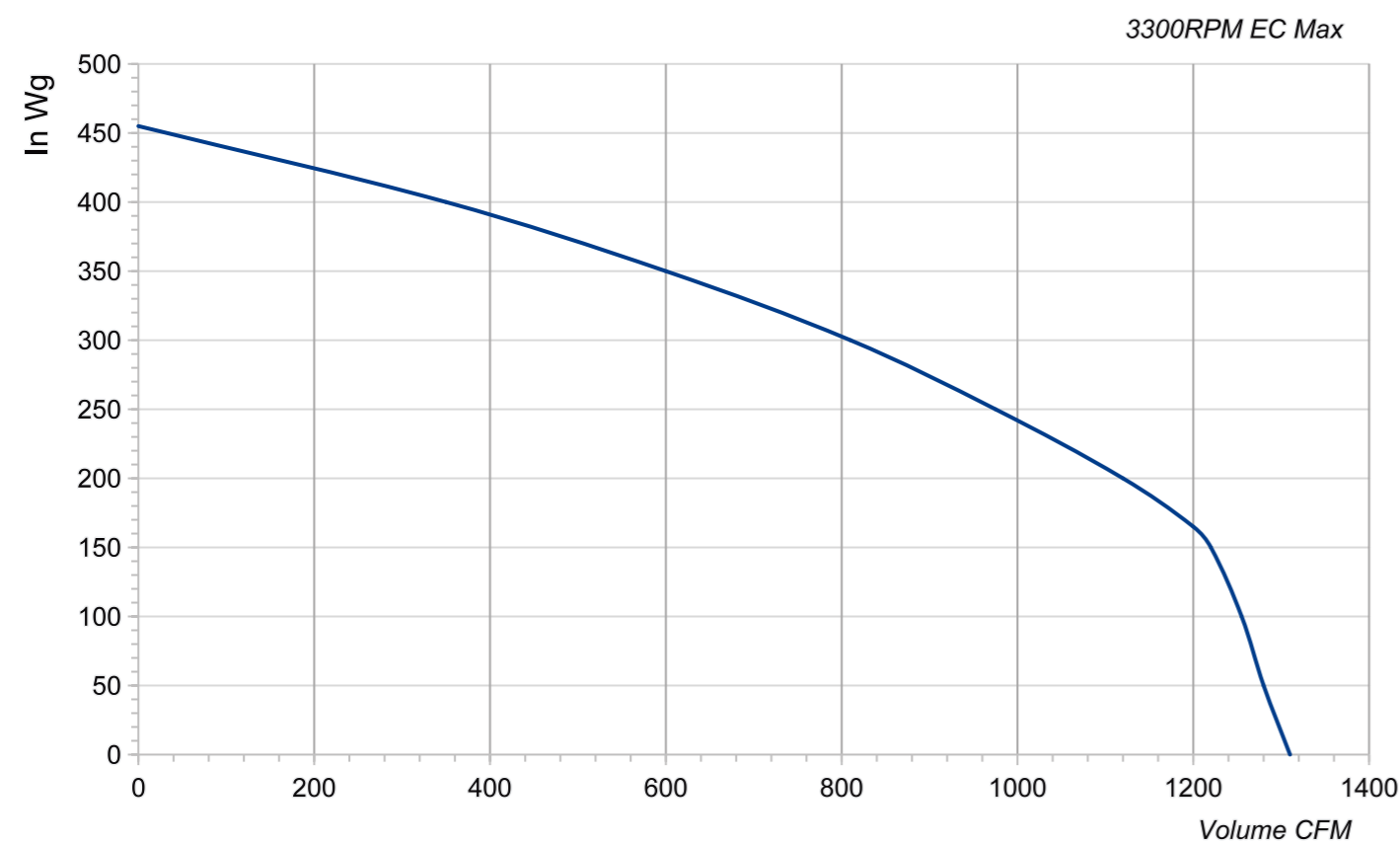
Product Characteristic

- Material: Metal
- Voltage: EC Technology
- Type of Operation: IP54
- Mode of Operation: S1
- Working Temp: 60 C
- Speed Control Type: PWM Control Type 0-5V

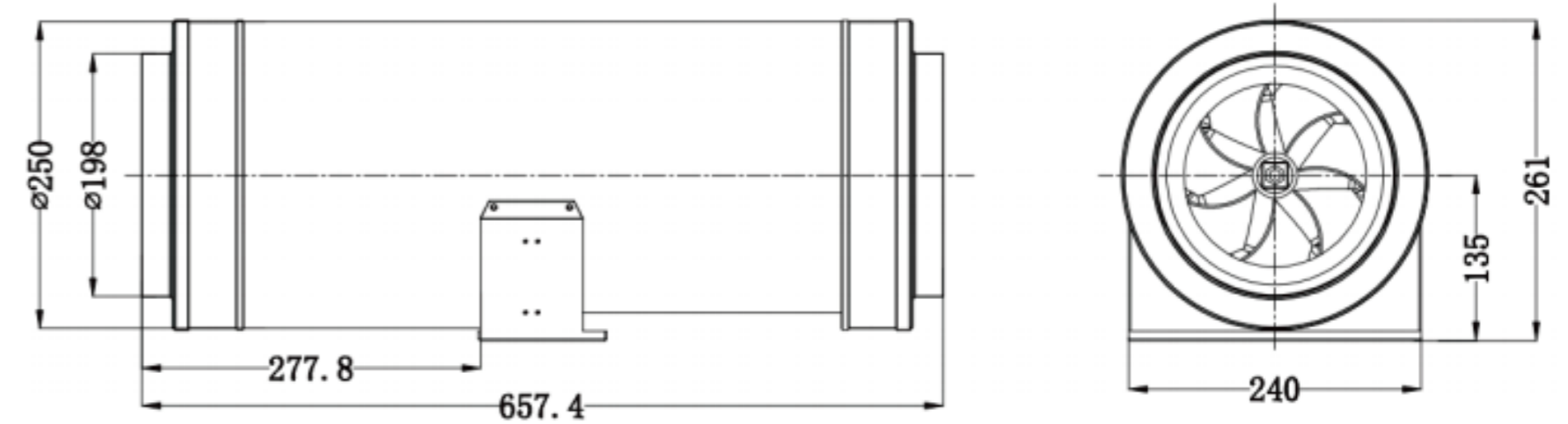


Technical Specifications

Model	Voltage (V)	Frequency (Hz)	Maximum Flow Value (CMH)	Working Power (W)	Speed (RPM)	Noise [dB(A)]
LWDE-200(8")S-MWN-04	220-240	50/60	1310	140	3300	59



Product Drawing (mm)



LWDE-250(10") Series

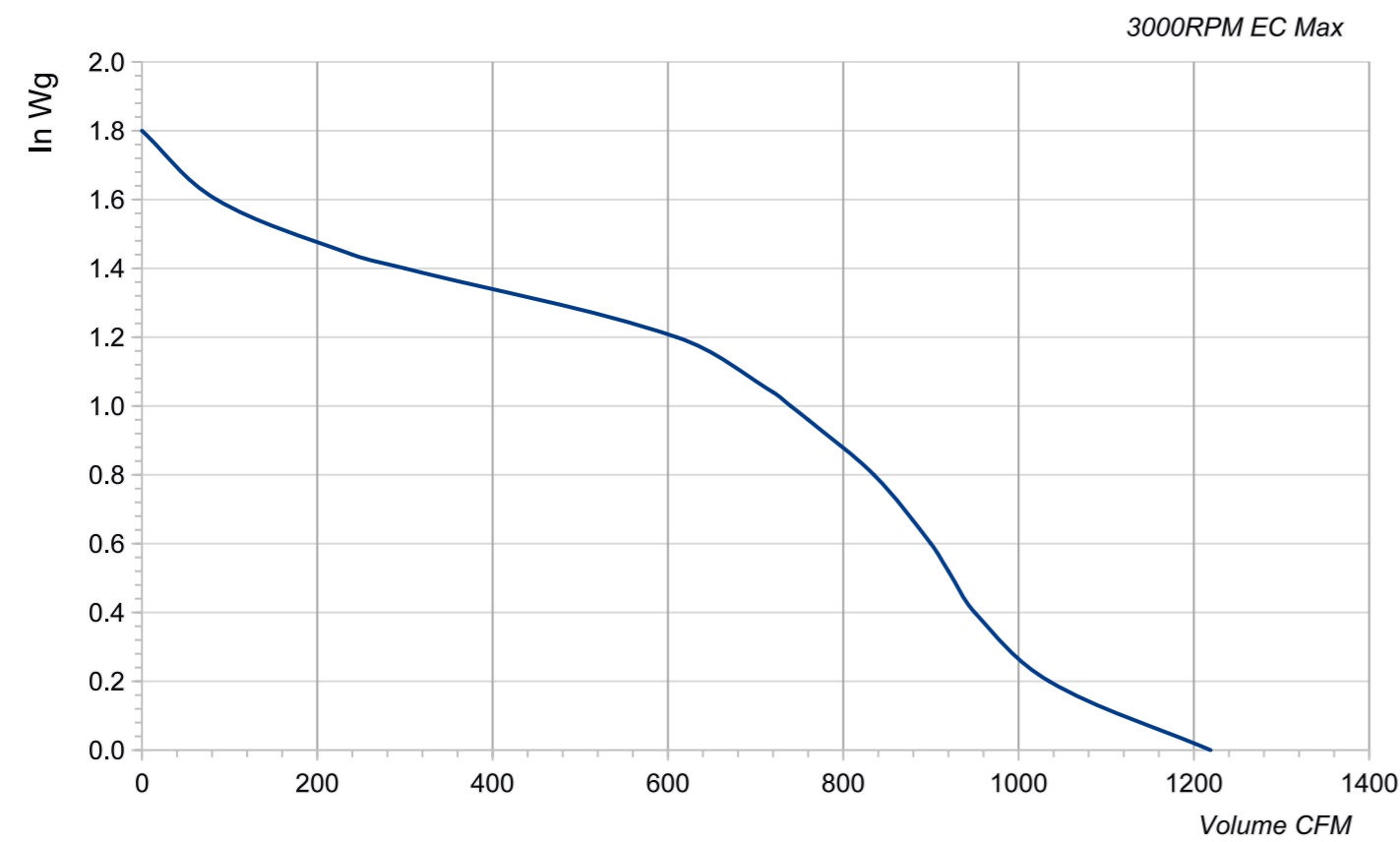
Product Characteristic

- Material: Metal
- Voltage: EC Technology
- Type of Operation: IP54
- Mode of Operation: S1
- Working Temp: 60 C
- Speed Control Type: PWM Control Type 0-5V

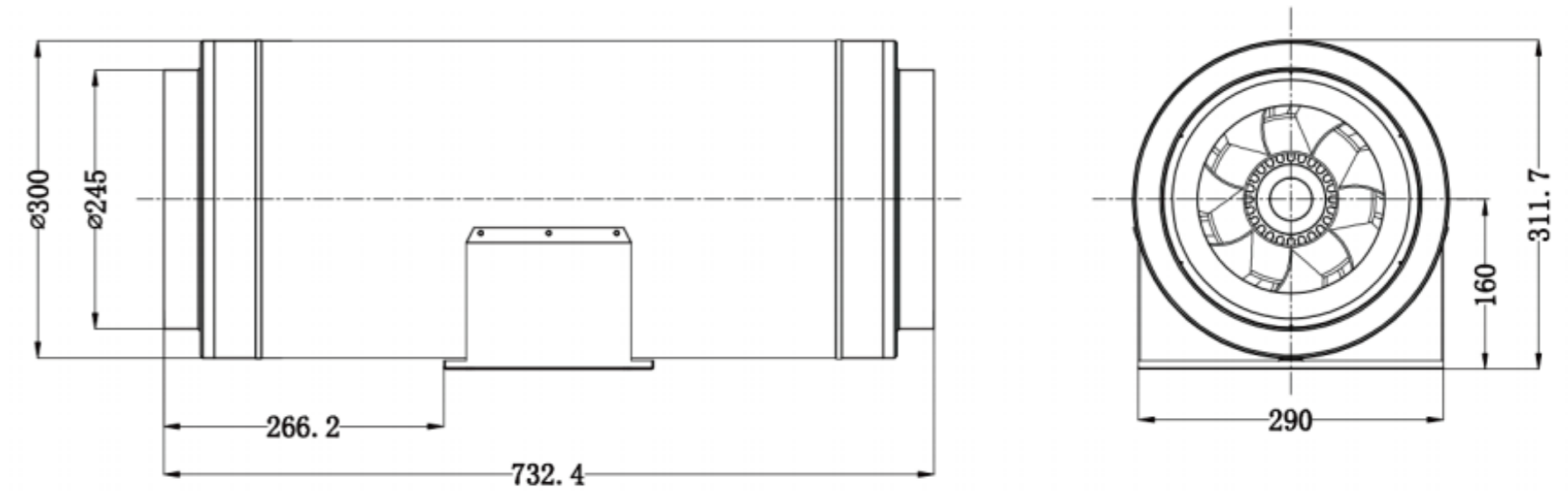


Technical Specifications

Model	Voltage (V)	Frequency (Hz)	Maximum Flow Value (CFM)	Working Power (W)	Speed (RPM)	Noise [dB(A)]
LWDE-250(10")U-MWN-03	110-120	60	1219	195	3000	62



Product Drawing (mm)



LWDE-250(10") Series

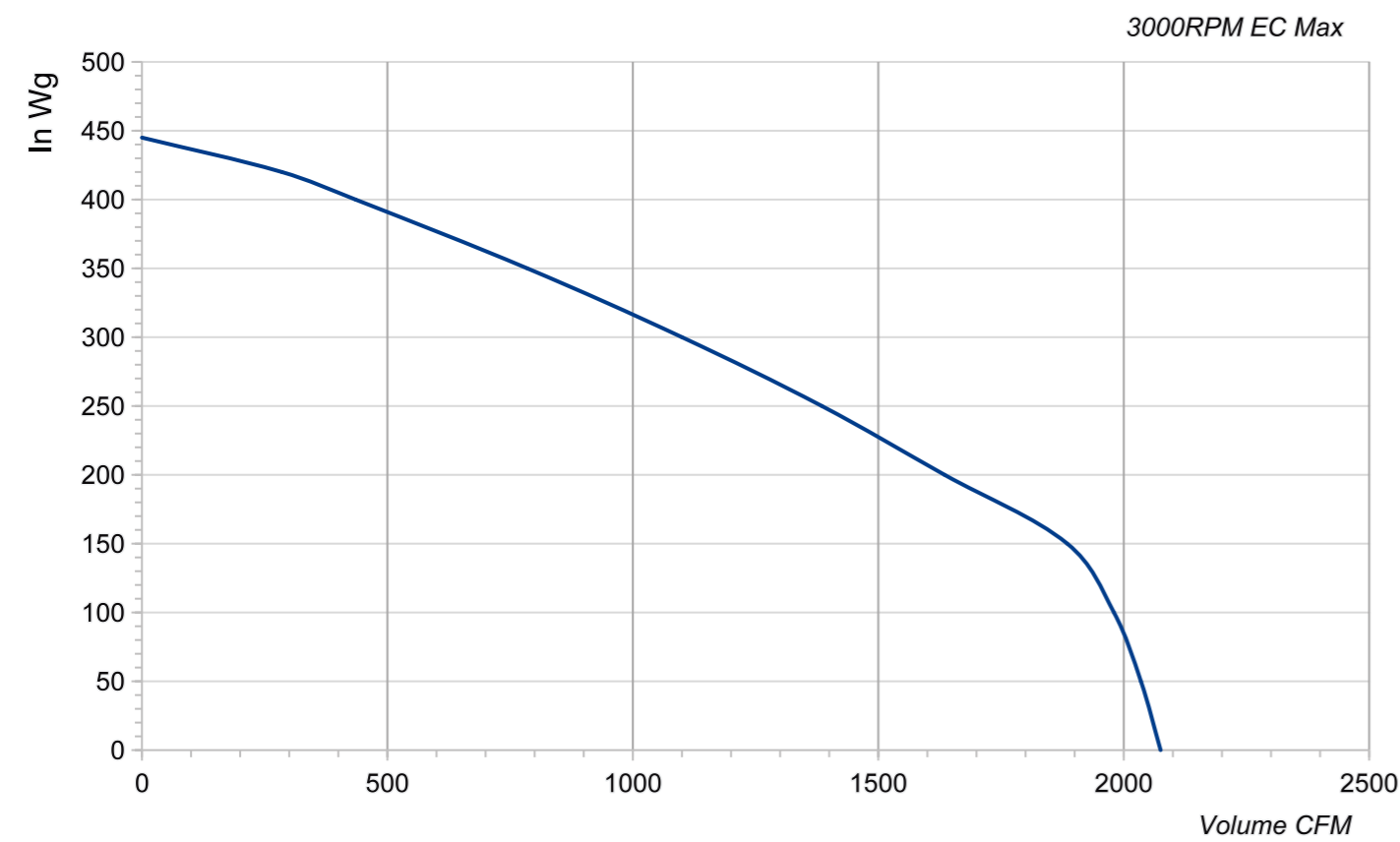
Product Characteristic

- Material: Metal
- Voltage: EC Technology
- Type of Operation: IP54
- Mode of Operation: S1
- Working Temp: 60 C
- Speed Control Type: PWM Control Type 0-5V

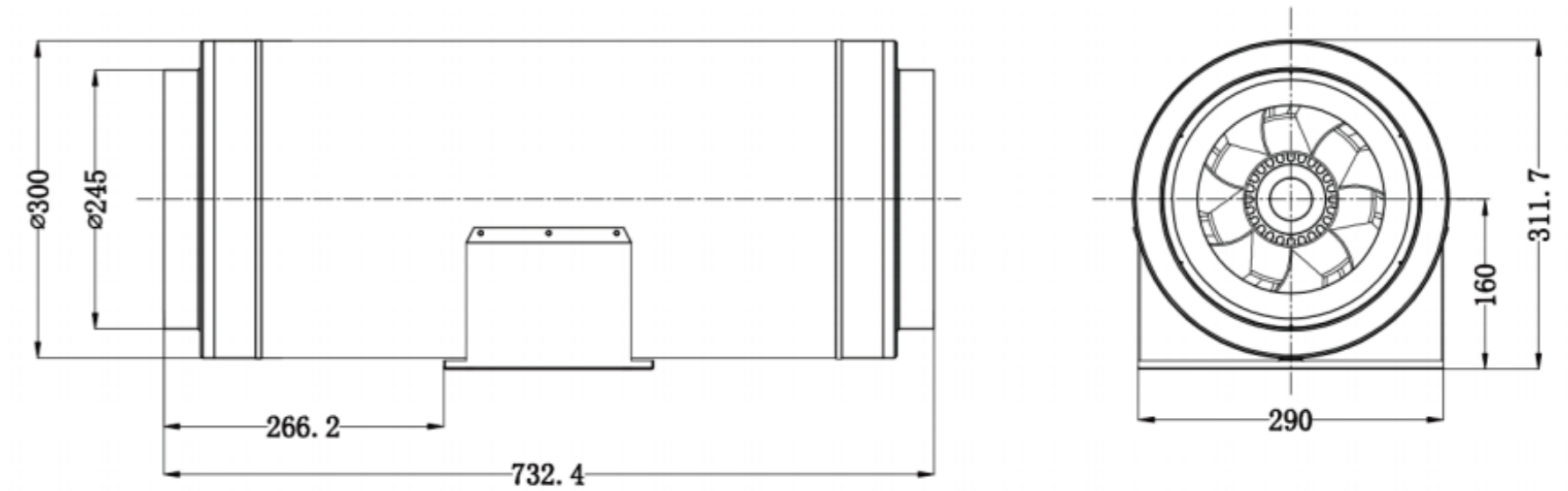


Technical Specifications

Model	Voltage (V)	Frequency (Hz)	Maximum Flow Value (CMH)	Working Power (W)	Speed (RPM)	Noise [dB(A)]
LWDE-250(10")S-MWN-04	220-240	50/60	2075	195	3000	62



Product Drawing (mm)



LWDE-300(12") Series

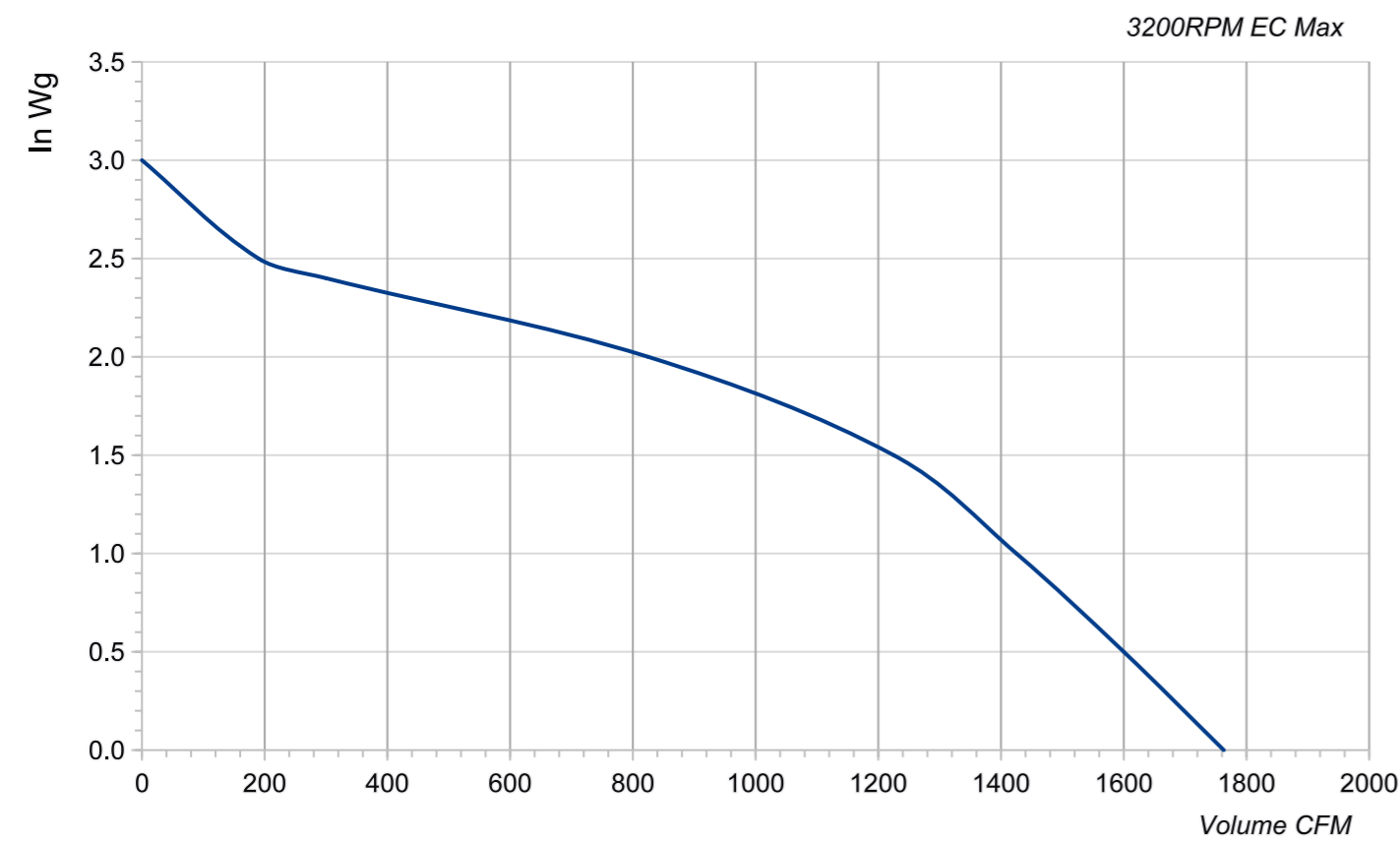
Product Characteristic

- Material: Metal
- Voltage: EC Technology
- Type of Operation: IP54
- Mode of Operation: S1
- Working Temp: 60 C
- Speed Control Type: PWM Control Type 0-5V

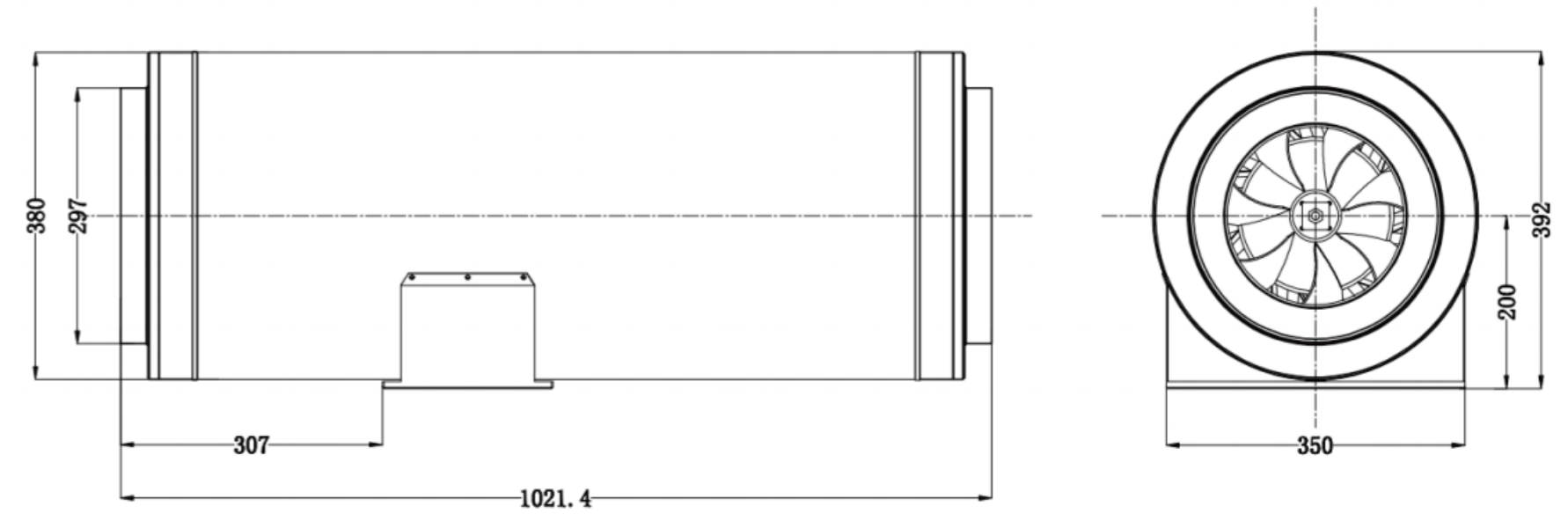


Technical Specifications

Model	Voltage (V)	Frequency (Hz)	Maximum Flow Value (CFM)	Working Power (W)	Speed (RPM)	Noise [dB(A)]
LWDE-300(12")U-MWN-03	110-120	60	1763	352	3200	70



Product Drawing (mm)



LWDE-300(12") Series

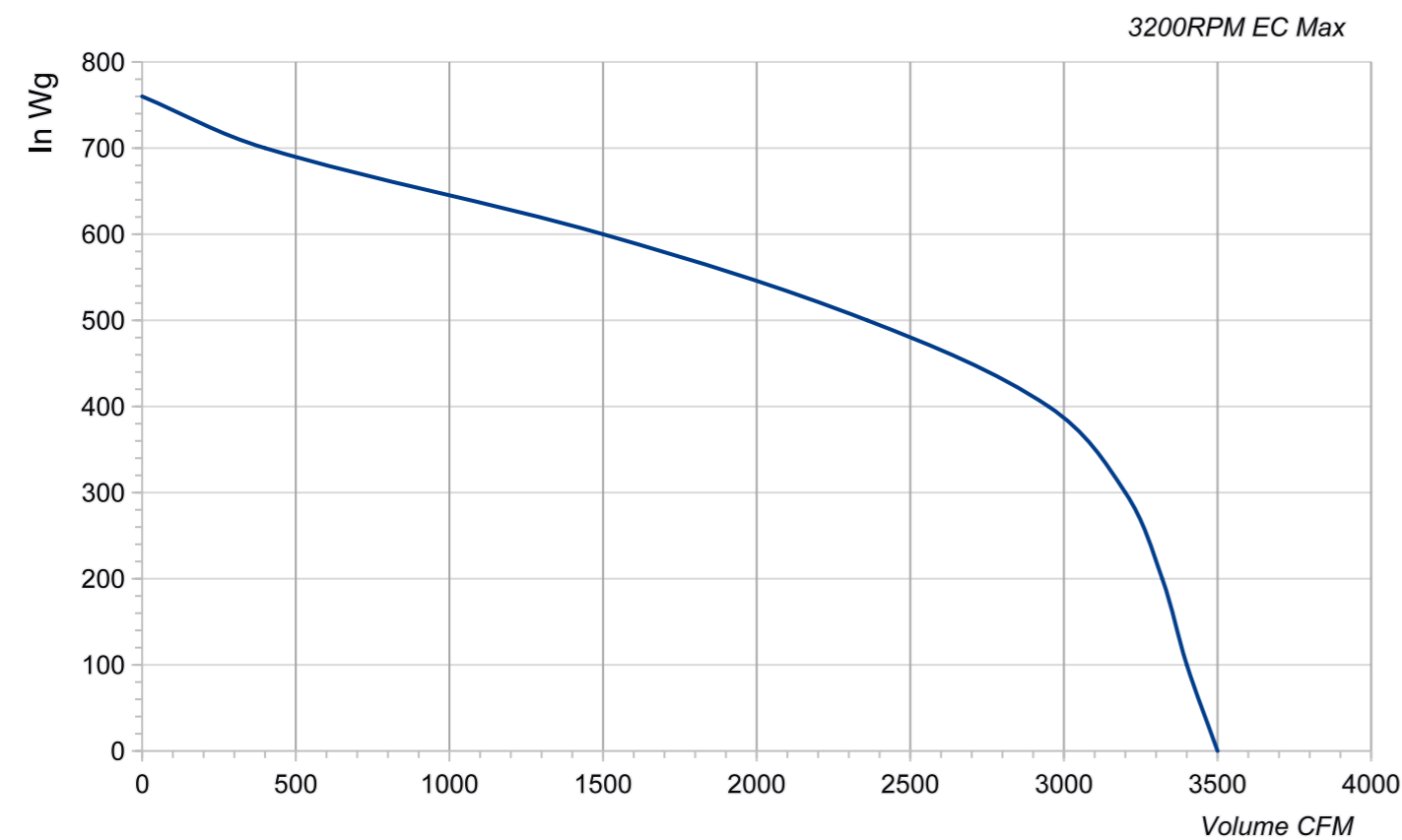
Product Characteristic

- Material: Metal
- Voltage: EC Technology
- Type of Operation: IP54
- Mode of Operation: S1
- Working Temp: 60 C
- Speed Control Type: PWM Control Type 0-5V

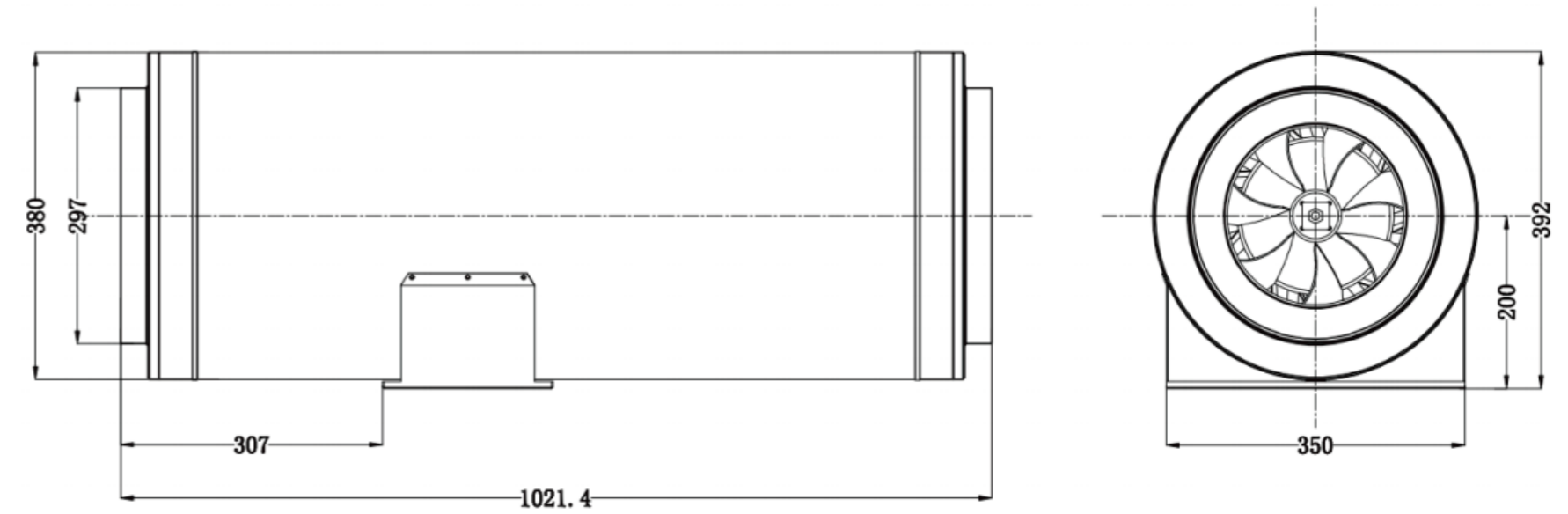


Technical Specifications

Model	Voltage (V)	Frequency (Hz)	Maximum Flow Value (CMH)	Working Power (W)	Speed (RPM)	Noise [dB(A)]
LWDE-300(12")S-MWN-04	220-240	50/60	3500	352	3200	70



Product Drawing (mm)



LWDE-355(14") Series

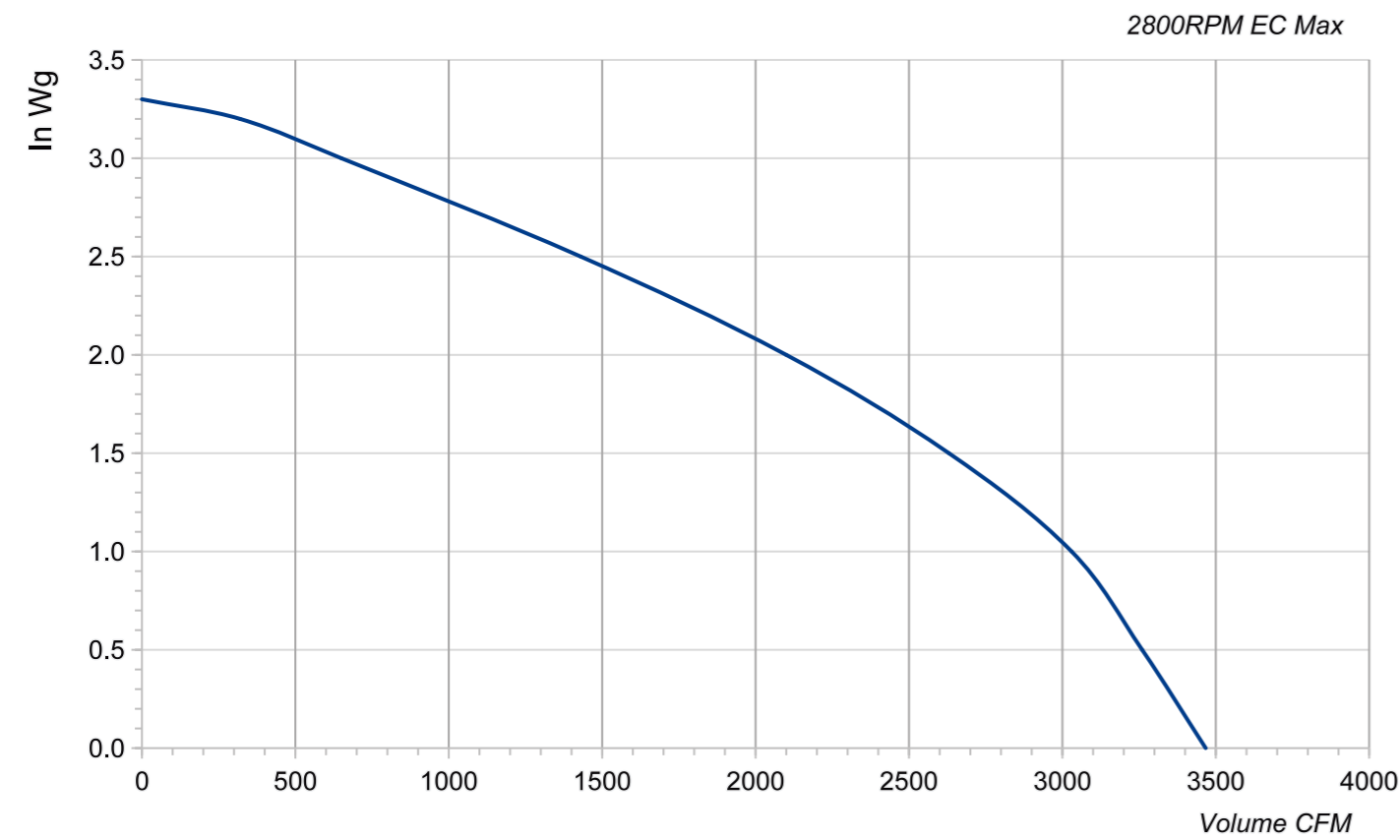
Product Characteristic

- Material: Metal
- Voltage: EC Technology
- Type of Operation: IP54
- Mode of Operation: S1
- Working Temp: 80 C
- Speed Control Type: PWM Control Type 0-5V

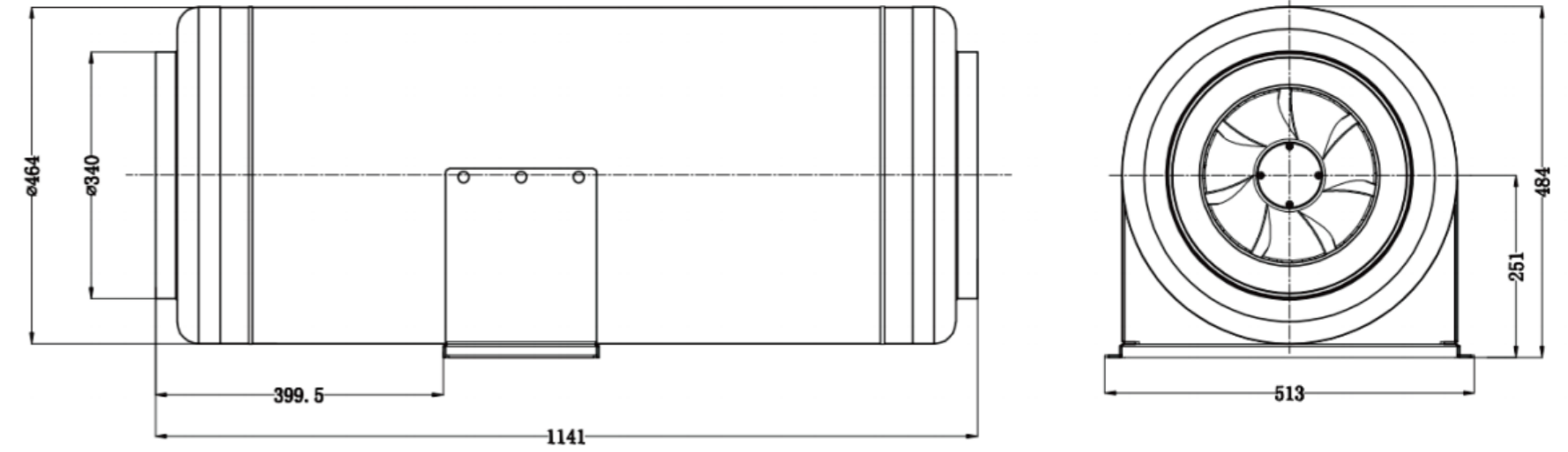


Technical Specifications

Model	Voltage (V)	Frequency (Hz)	Maximum Flow Value (CFM)	Working Power (W)	Speed (RPM)	Noise [dB(A)]
LWDE-355(14")U-MWN-03	110-120	60	3467	659	2800	67



Product Drawing (mm)



LWDE-355(14") Series

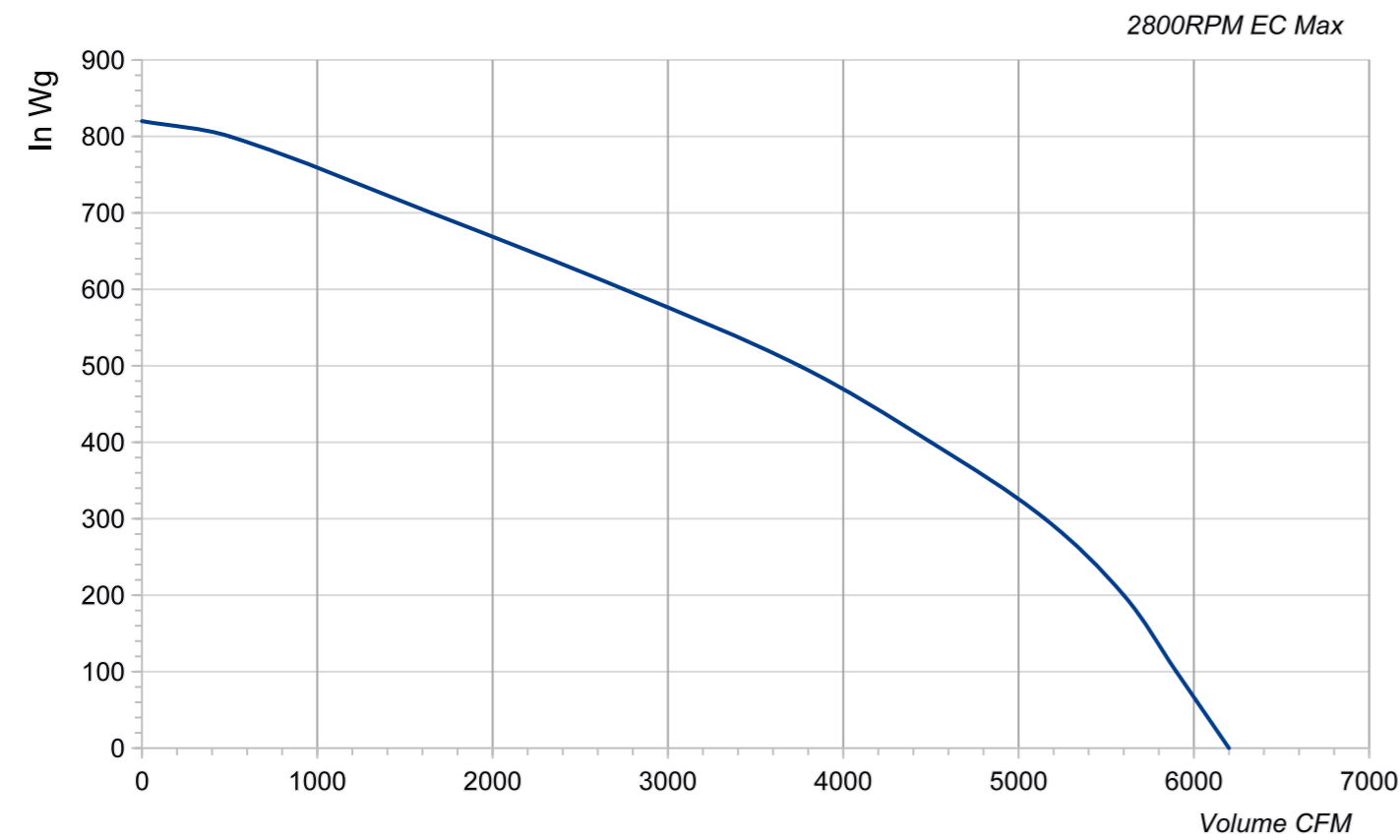
Product Characteristic

- Material: Metal
- Voltage: EC Technology
- Type of Operation: IP54
- Mode of Operation: S1
- Working Temp: 80 °C
- Speed Control Type: PWM Control Type 0-5V

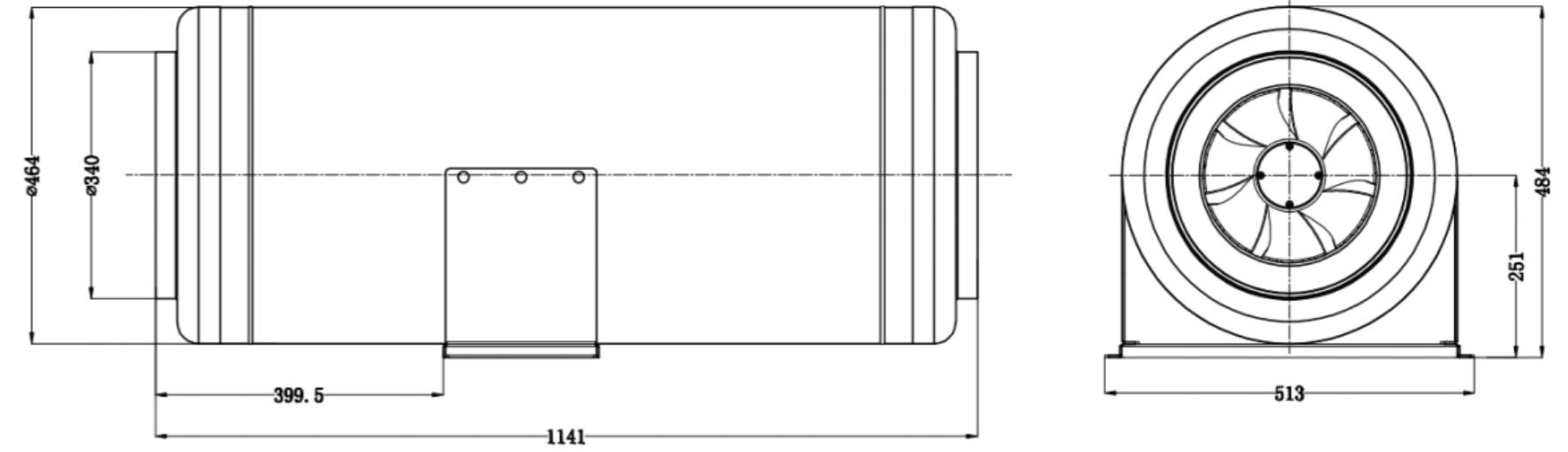


Technical Specifications

Model	Voltage (V)	Frequency (Hz)	Maximum Flow Value (CMH)	Working Power (W)	Speed (RPM)	Noise [dB(A)]
LWDE-355(14")S-MWN-04	220-240	50/60	6200	659	2800	67



Product Drawing (mm)



LWDE-400(16") Series

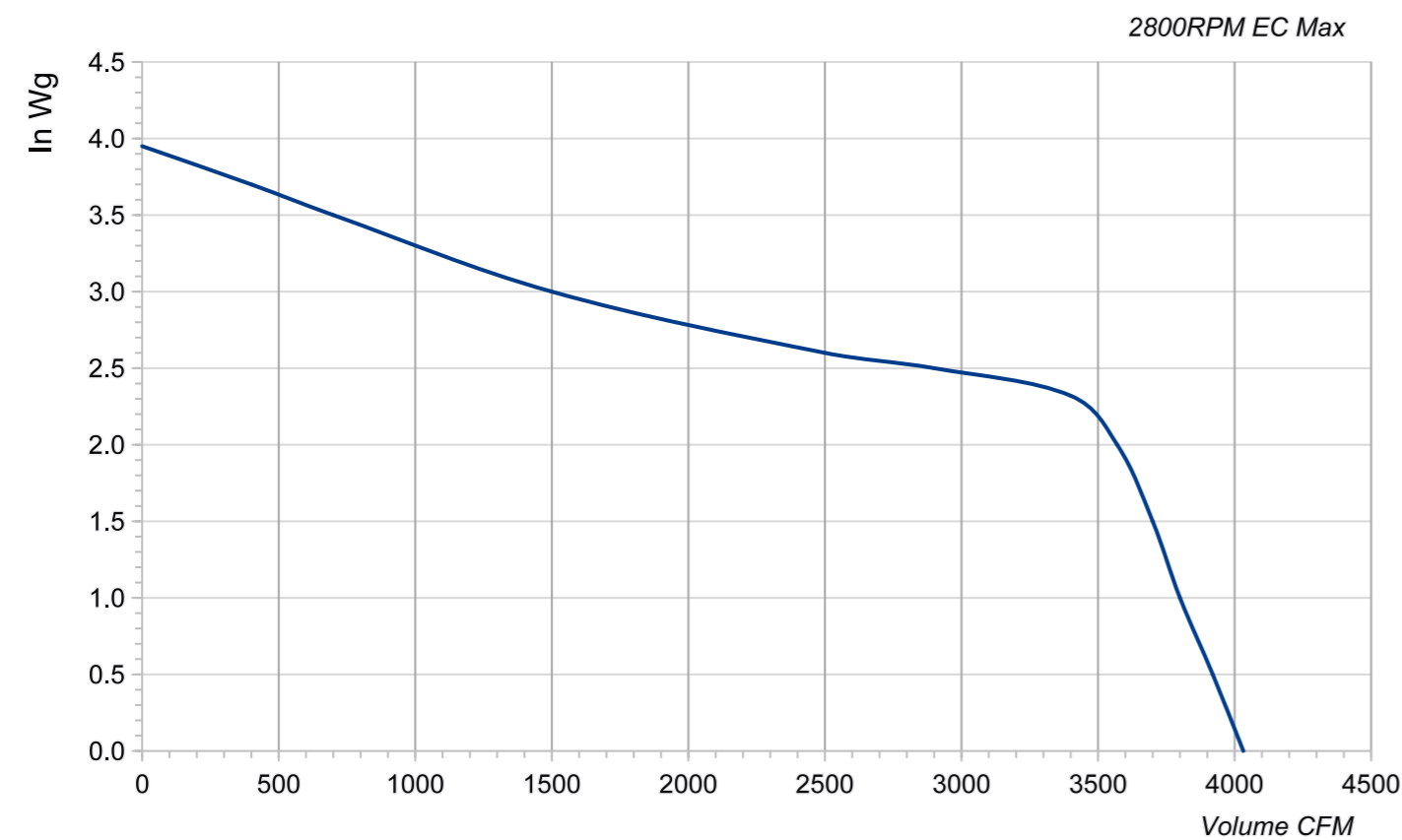
Product Characteristic

- Material: Metal
- Voltage: EC Technology
- Type of Operation: IP54
- Mode of Operation: S1
- Working Temp: 80 C
- Speed Control Type: PWM Control Type 0-5V

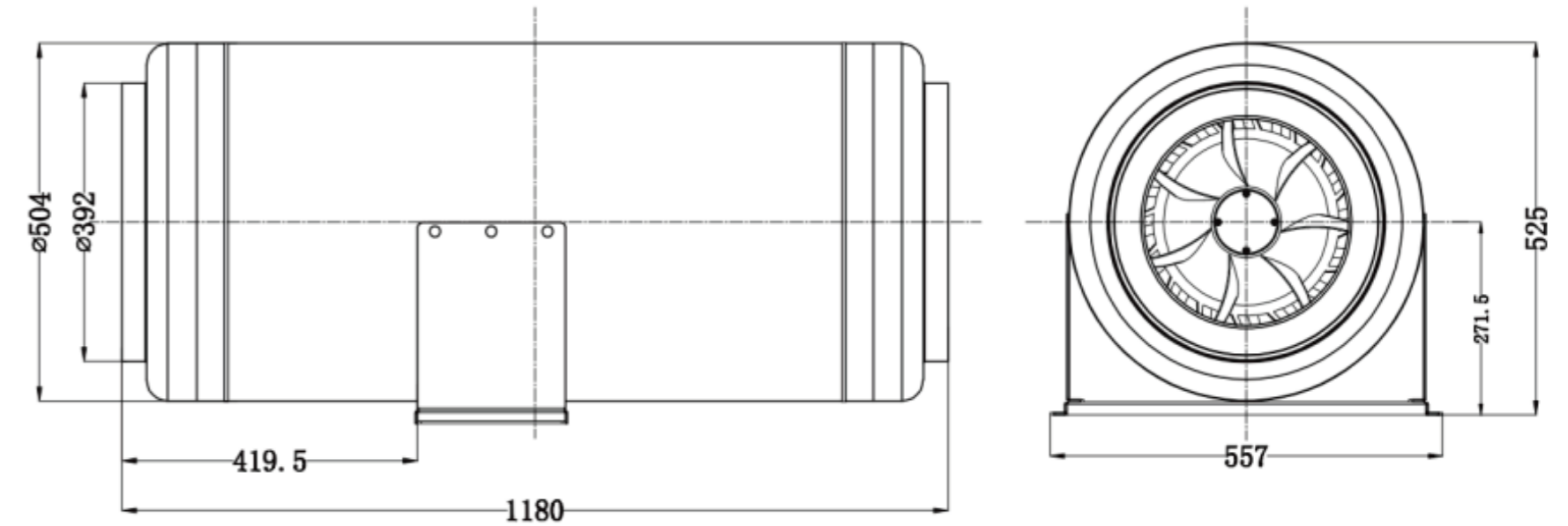


Technical Specifications

Model	Voltage (V)	Frequency (Hz)	Maximum Flow Value (CFM)	Working Power (W)	Speed (RPM)	Noise [dB(A)]
LWDE-400(16")U-MWN-03	110-120	60	4032	1200	2800	70



Product Drawing (mm)



LWDE-400(16") Series

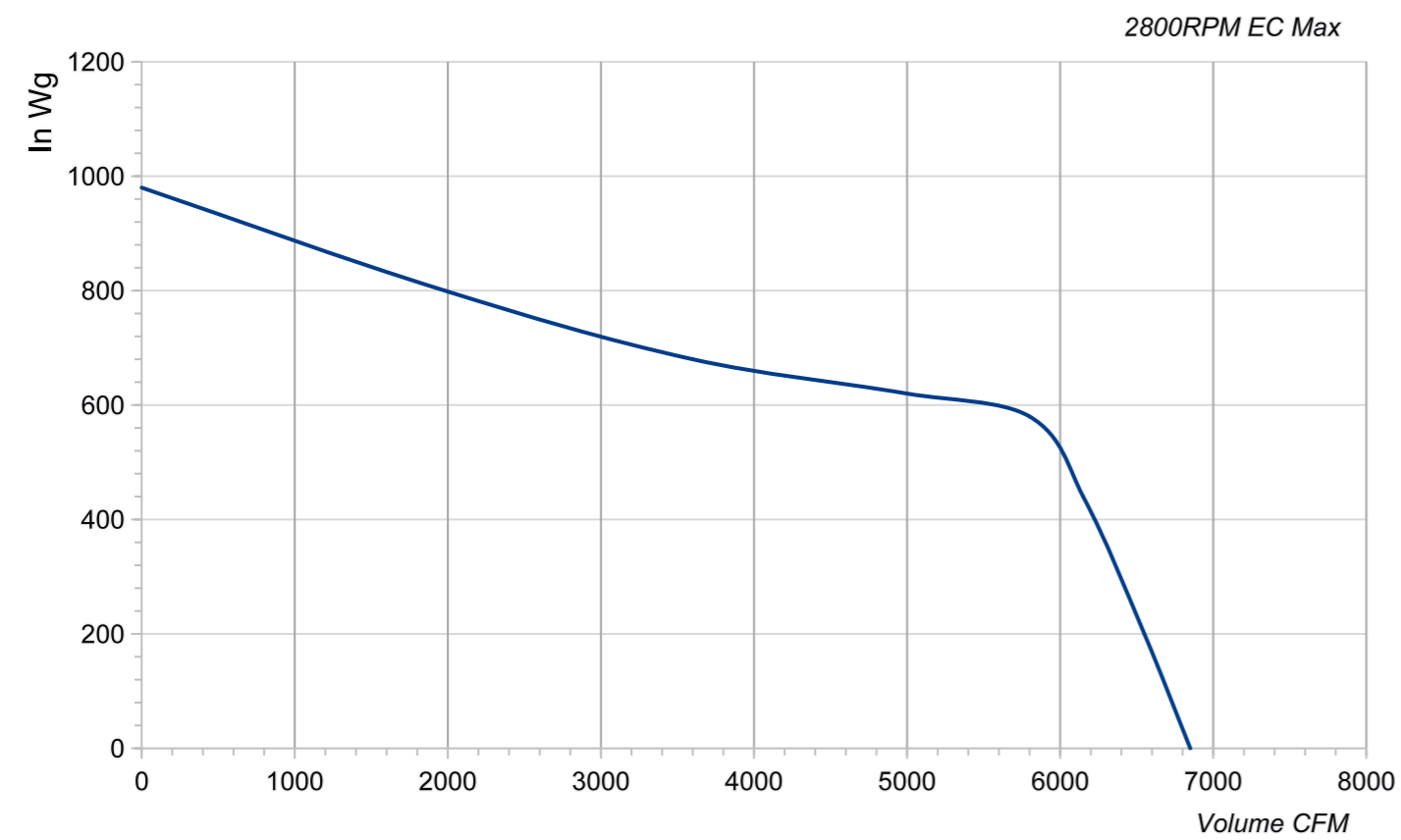
Product Characteristic

- Material: Metal
- Voltage: EC Technology
- Type of Operation: IP54
- Mode of Operation: S1
- Working Temp: 80 C
- Speed Control Type: PWM Control Type 0-5V



Technical Specifications

Model	Voltage (V)	Frequency (Hz)	Maximum Flow Value (CMH)	Working Power (W)	Speed (RPM)	Noise [dB(A)]
LWDE-400(16")S-MWN-04	220-240	50/60	6850	1200	2800	70



Product Drawing (mm)

