

EC Mixed Inline Duct Fan

- Mix type of impeller with high efficiency
- The fan is compact, so it is easy to installation and repair
- It is designed for direct connection in line with standard diameter circular ducting
- EC type is available



LWDE-100(4") Series

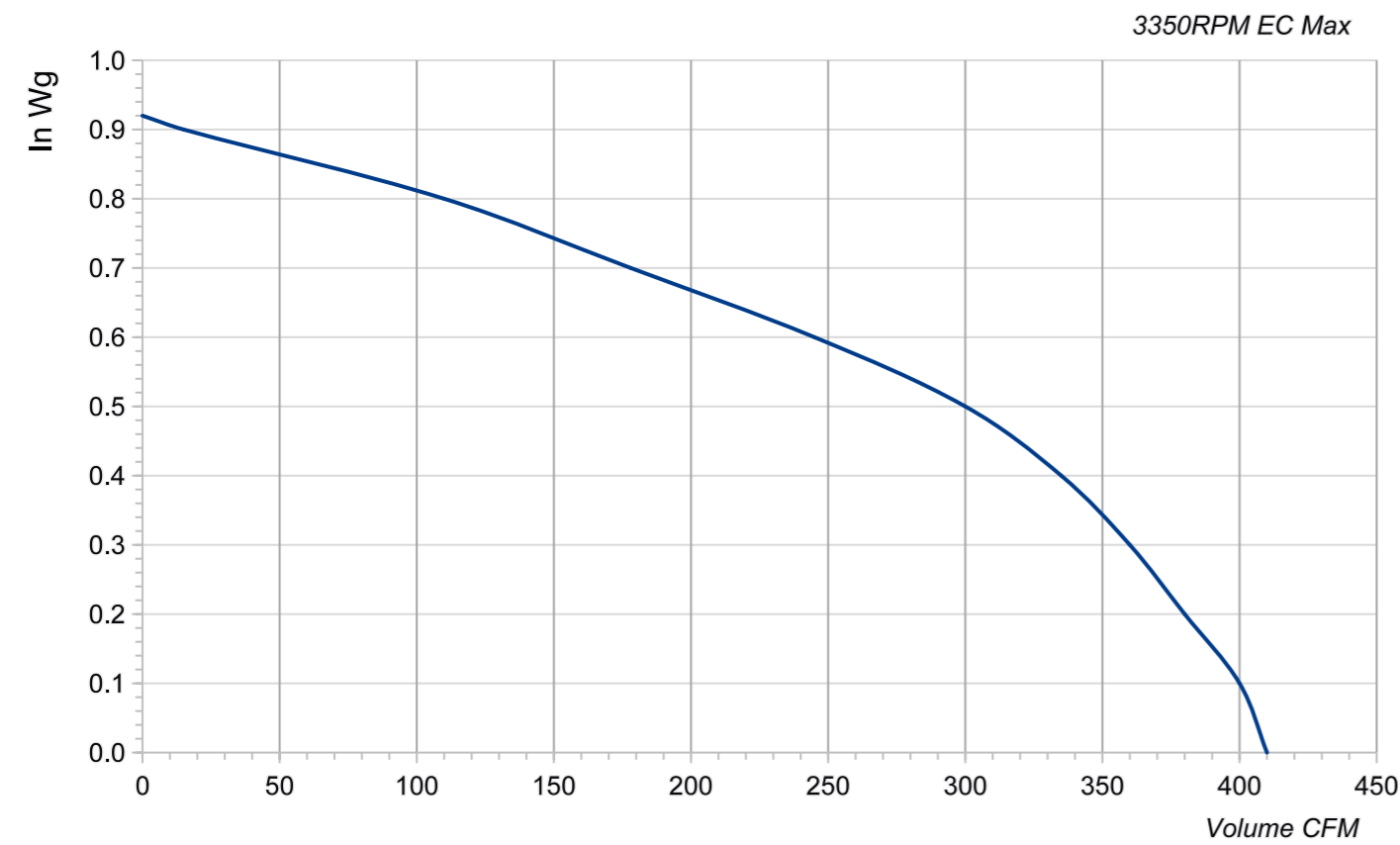
Product Characteristic

- Material: Plastic
- Voltage: EC Technology
- Type of Operation: IP54
- Mode of Operation: S1
- Working Temp: 60 C
- Speed Control Type: PWM Control Type 0-5V

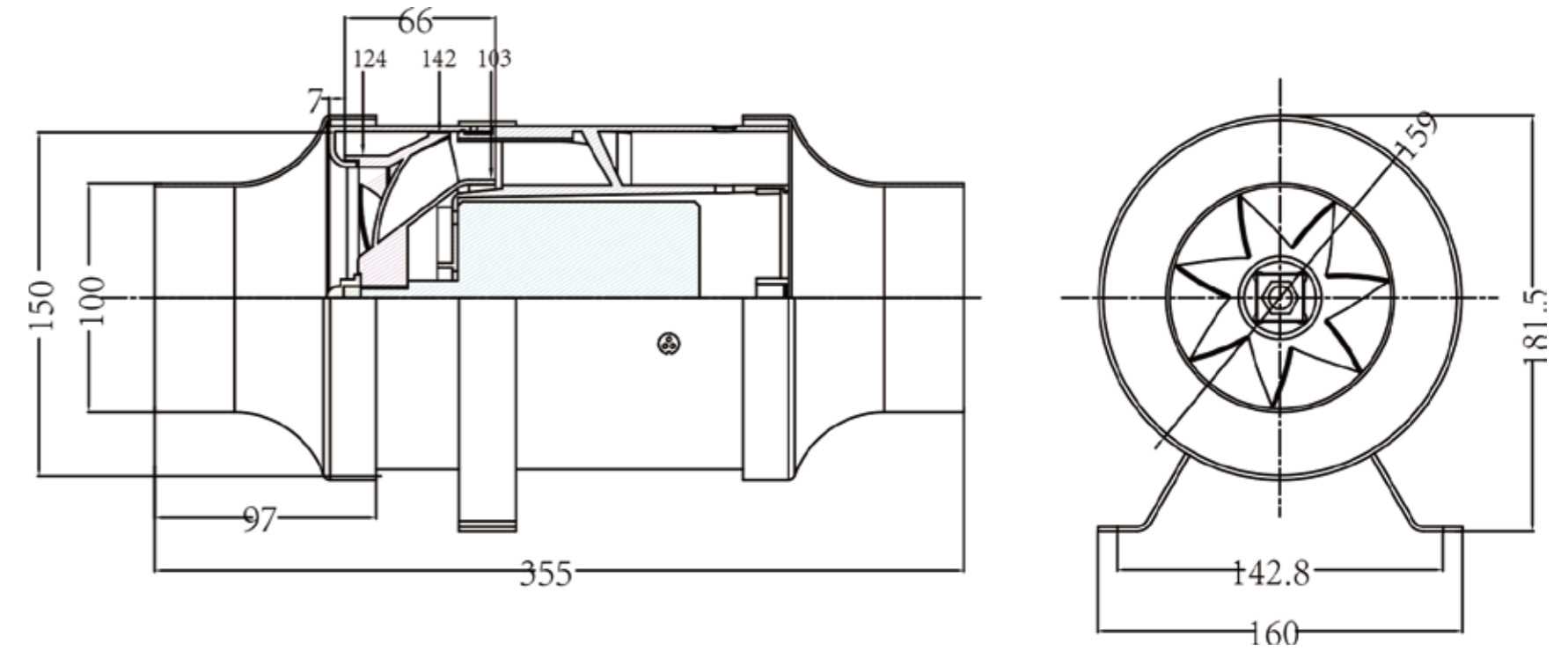


Technical Specifications

| Model | Voltage (V) | Frequency (Hz) | Maximum Flow Value (CFM) | Working Power (W) | Speed (RPM) | Noise [dB(A)] |
|----------------------|-------------|----------------|--------------------------|-------------------|-------------|---------------|
| LWDE-100(4")U-PWN-01 | 110-120 | 60 | 410 | 35 | 3350 | 52 |



Product Drawing (mm)



LWDE-100(4") Series

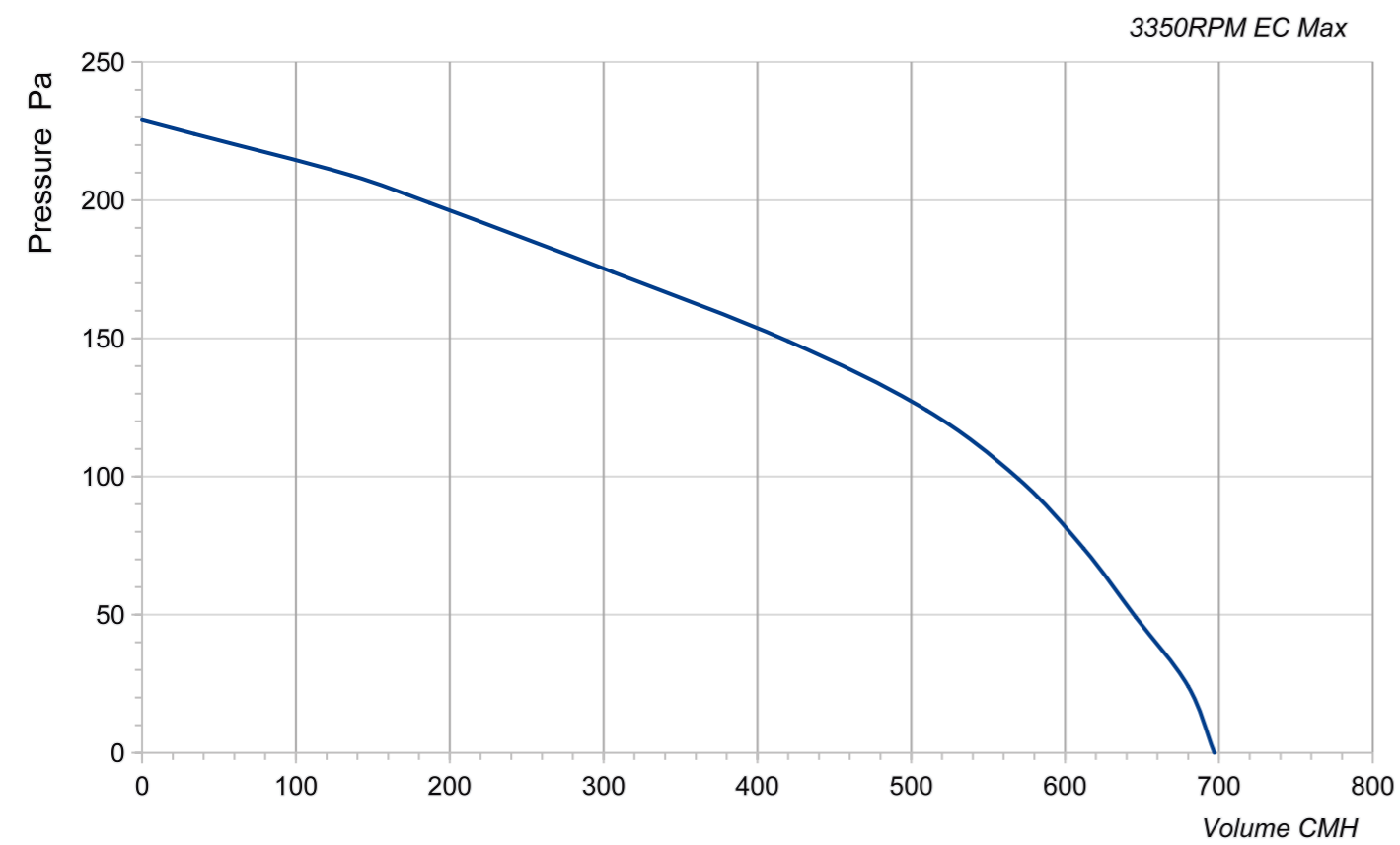
Product Characteristic

- Material: Plastic
- Voltage: EC Technology
- Type of Operation: IP54
- Mode of Operation: S1
- Working Temp: 60 C
- Speed Control Type: PWM Control Type 0-5V

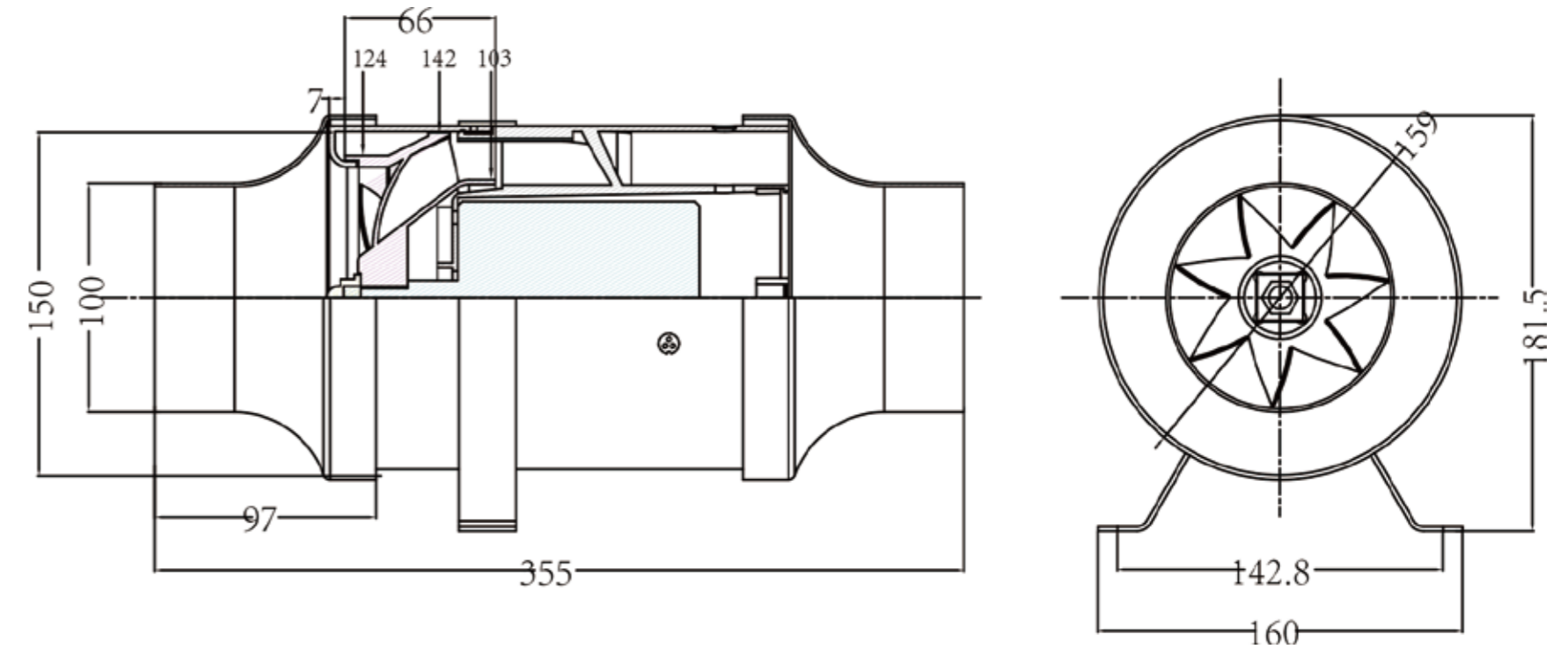


Technical Specifications

| Model | Voltage (V) | Frequency (Hz) | Maximum Flow Value (CMH) | Working Power (W) | Speed (RPM) | Noise [dB(A)] |
|----------------------|-------------|----------------|--------------------------|-------------------|-------------|---------------|
| LWDE-100(4")S-PWN-02 | 220-240 | 50/60 | 697 | 35 | 3350 | 52 |



Product Drawing (mm)



LWDE-125(5") Series

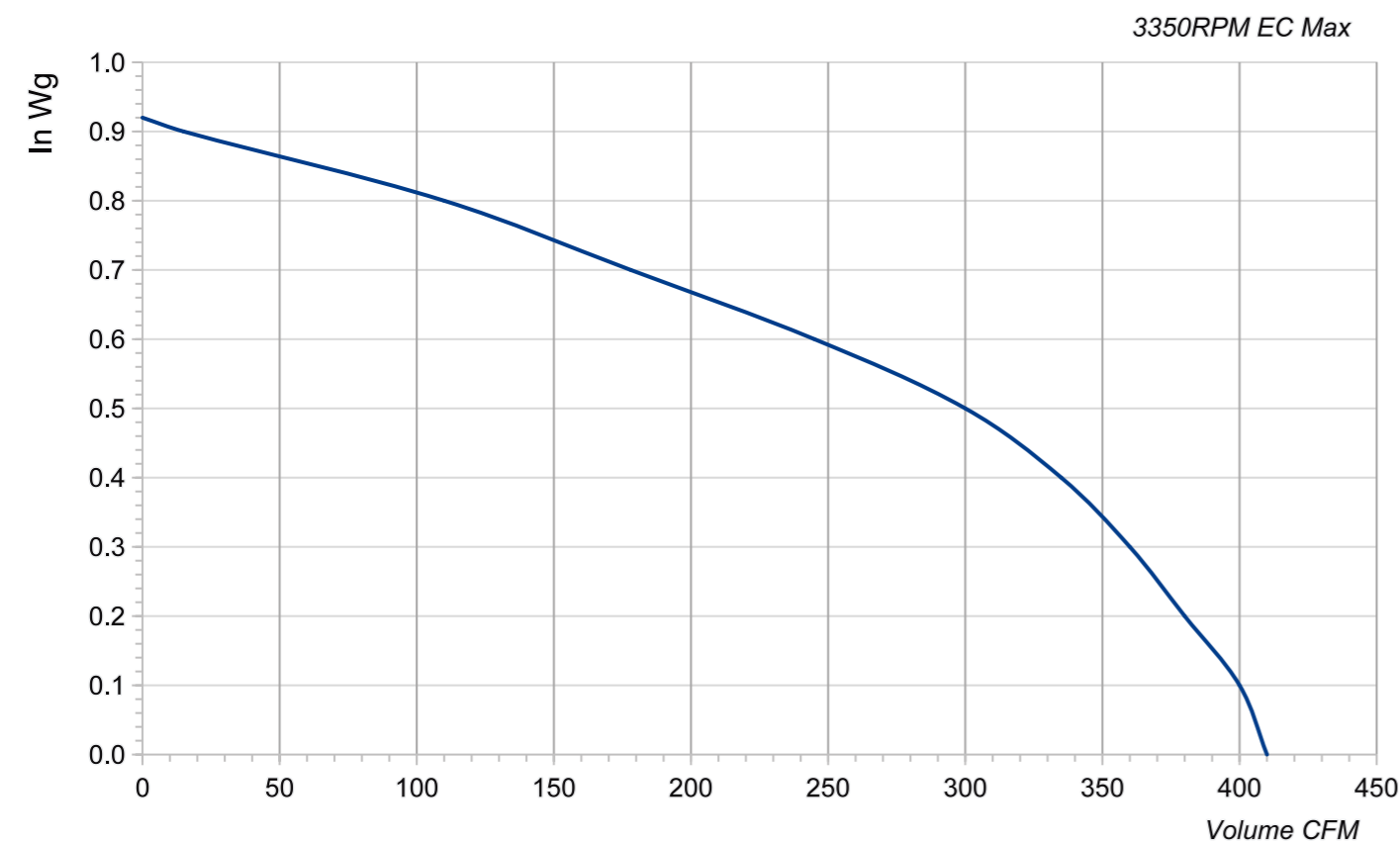
Product Characteristic

- Material: Plastic
- Voltage: EC Technology
- Type of Operation: IP54
- Mode of Operation: S1
- Working Temp: 60 °C
- Speed Control Type: PWM Control Type 0-5V

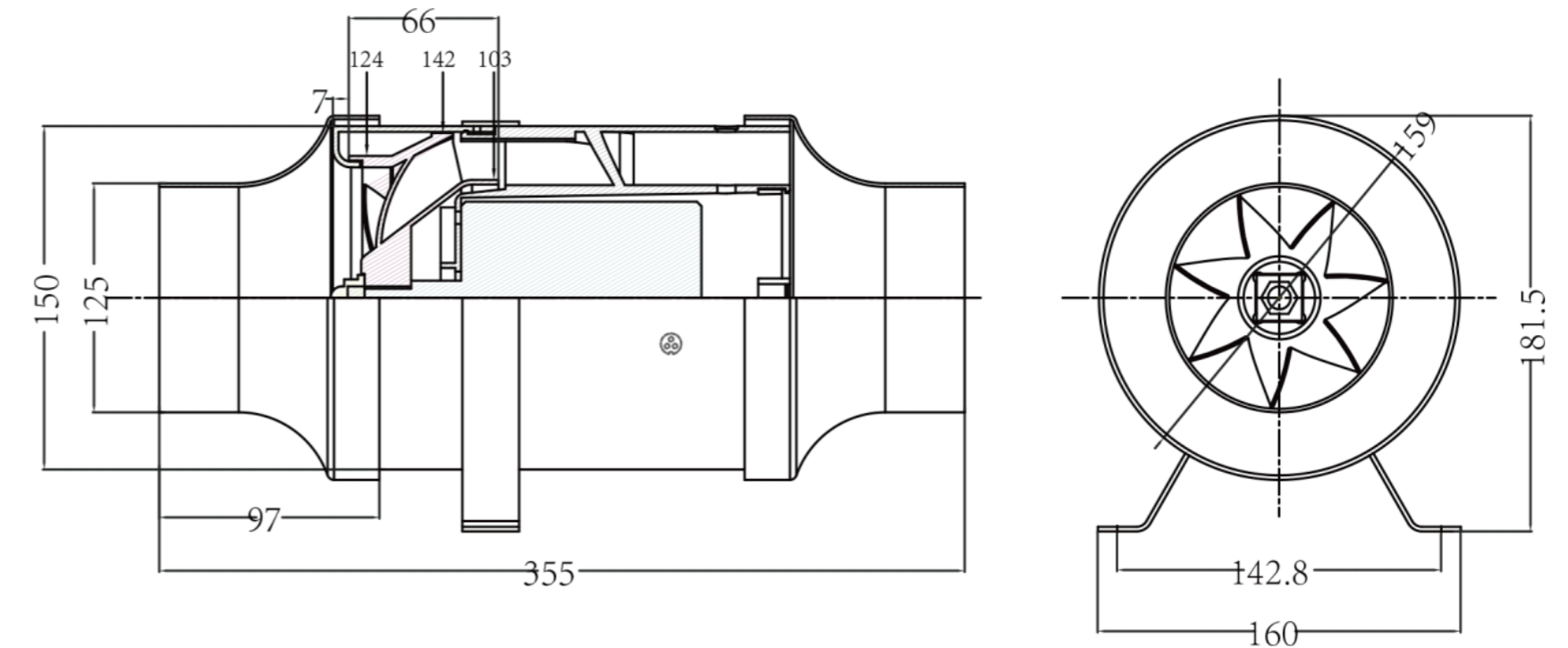


Technical Specifications

| Model | Voltage (V) | Frequency (Hz) | Maximum Flow Value (CFM) | Working Power (W) | Speed (RPM) | Noise [dB(A)] |
|----------------------|-------------|----------------|--------------------------|-------------------|-------------|---------------|
| LWDE-125(5")U-PWN-01 | 110-120 | 60 | 410 | 35 | 3350 | 52 |



Product Drawing (mm)



LWDE-125(5") Series

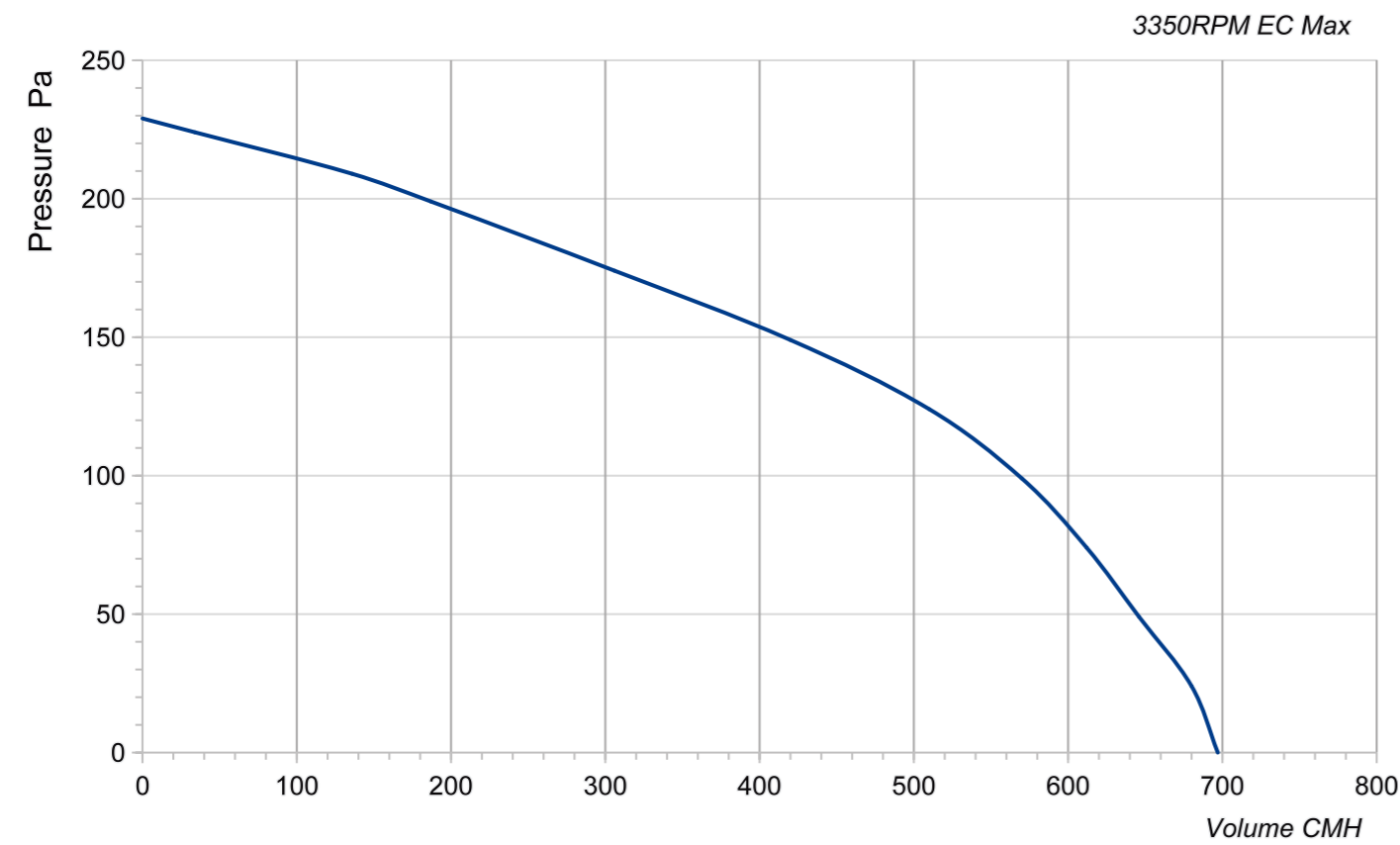
Product Characteristic

- Material: Plastic
- Voltage: EC Technology
- Type of Operation: IP54
- Mode of Operation: S1
- Working Temp: 60 C
- Speed Control Type: PWM Control Type 0-5V

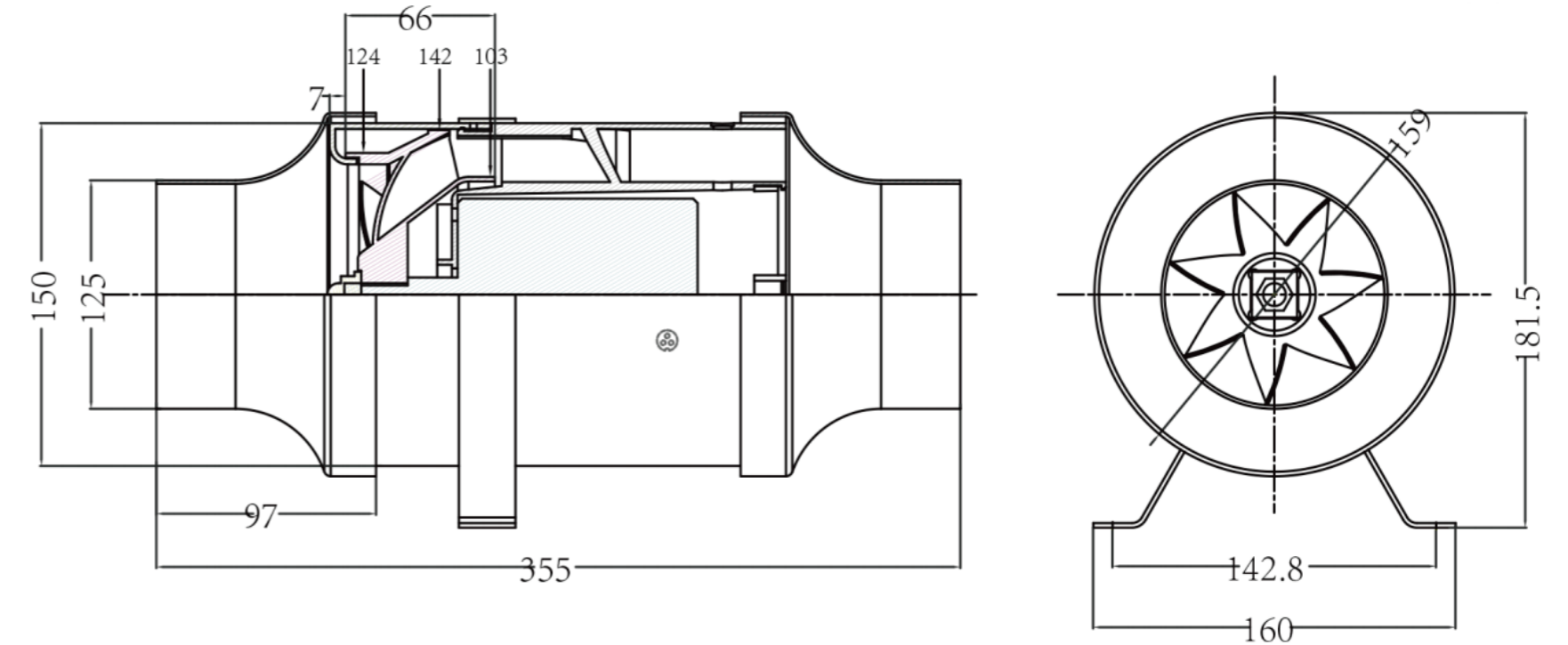


Technical Specifications

| Model | Voltage (V) | Frequency (Hz) | Maximum Flow Value (CMH) | Working Power (W) | Speed (RPM) | Noise [dB(A)] |
|----------------------|-------------|----------------|--------------------------|-------------------|-------------|---------------|
| LWDE-125(5")S-PWN-02 | 220-240 | 50/60 | 697 | 35 | 3350 | 52 |



Product Drawing (mm)



LWDE-150(6") Series

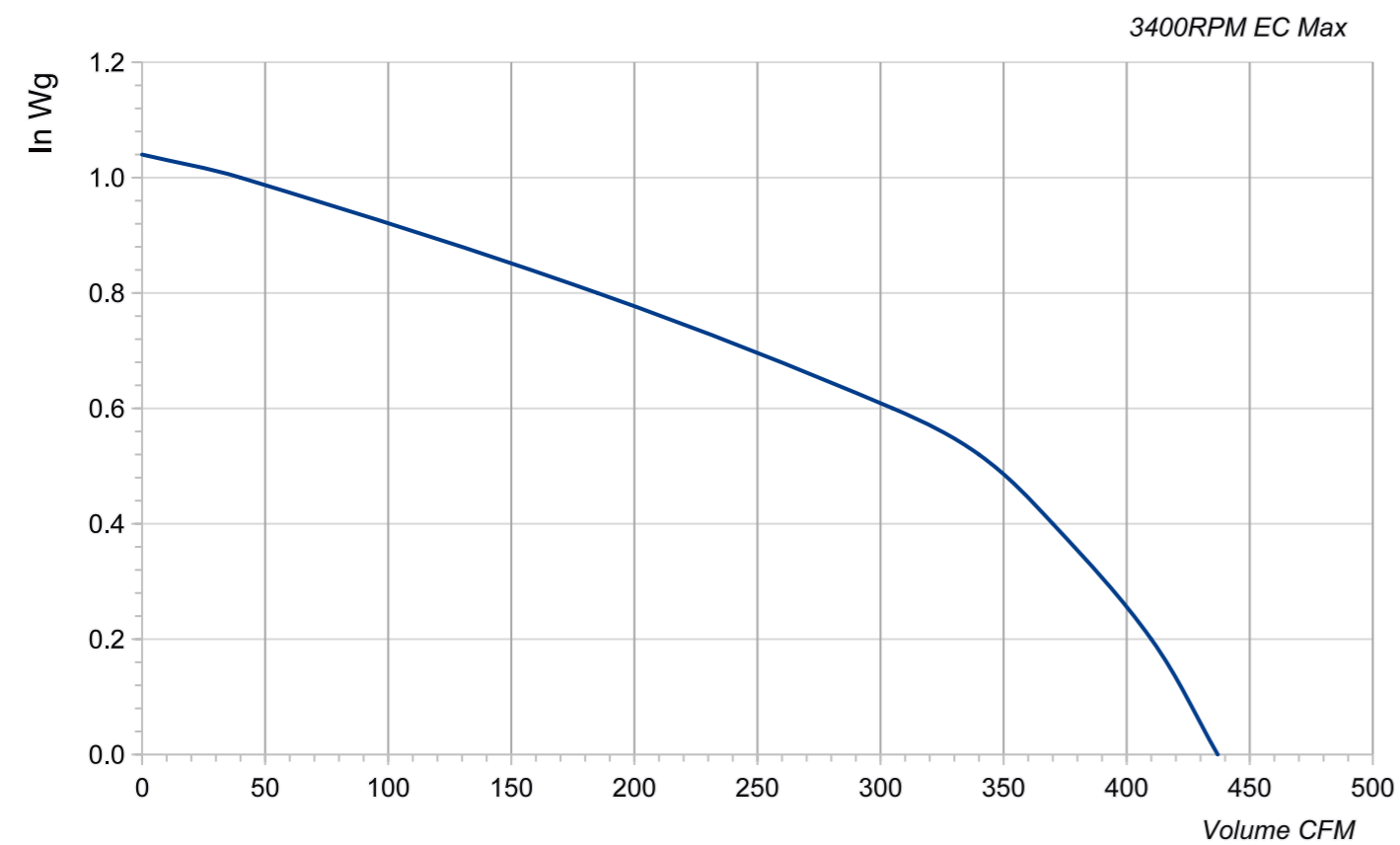
Product Characteristic

- Material: Metal
- Voltage: EC Technology
- Type of Operation: IP54
- Mode of Operation: S1
- Working Temp: 60 C
- Speed Control Type: PWM Control Type 0-5V

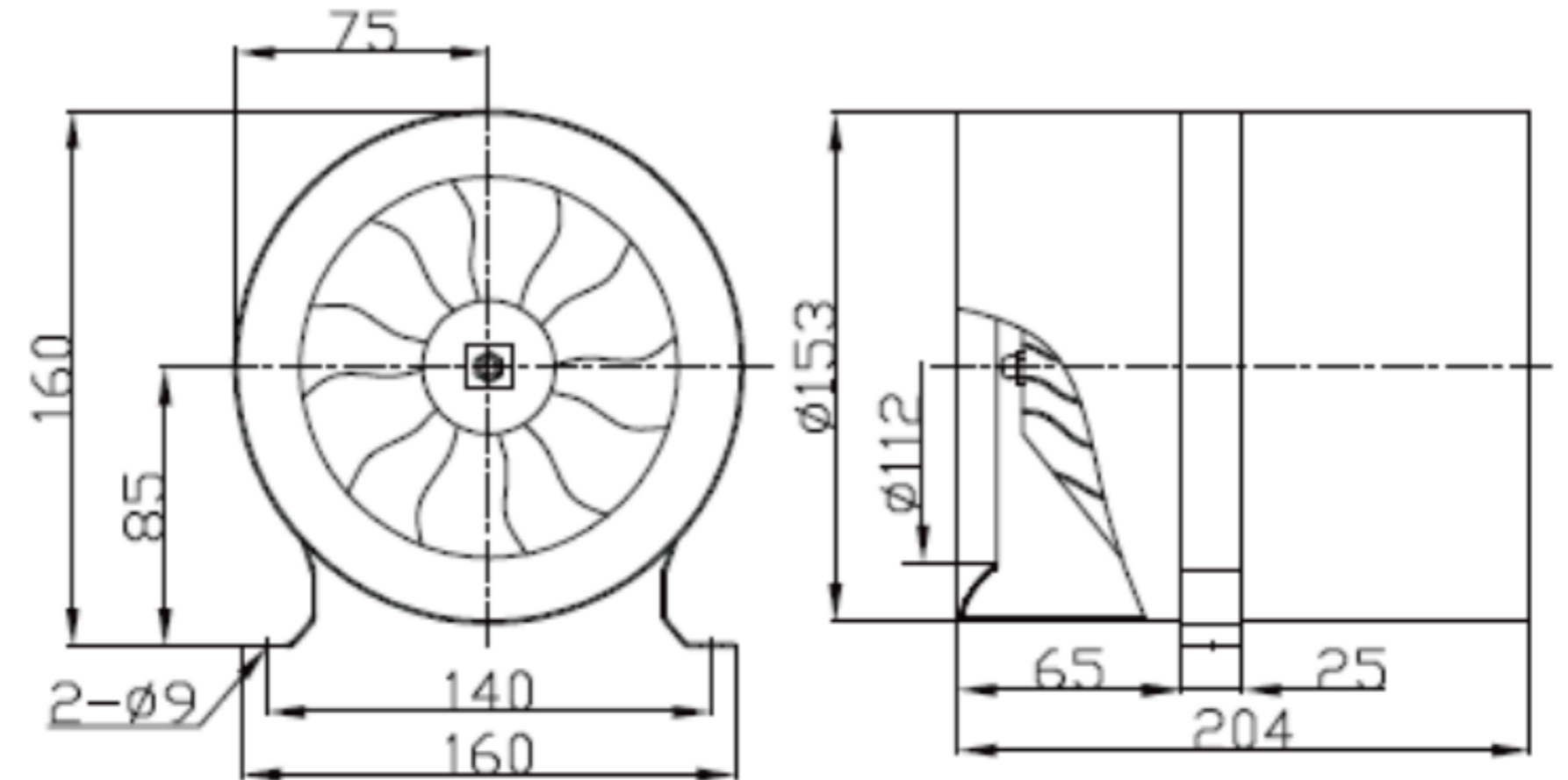


Technical Specifications

| Model | Voltage (V) | Frequency (Hz) | Maximum Flow Value (CFM) | Working Power (W) | Speed (RPM) | Noise [dB(A)] |
|----------------------|-------------|----------------|--------------------------|-------------------|-------------|---------------|
| LWDE-150(6")U-MWN-01 | 110-120 | 60 | 437 | 35 | 3400 | 58 |



Product Drawing (mm)



LWDE-150(6") Series

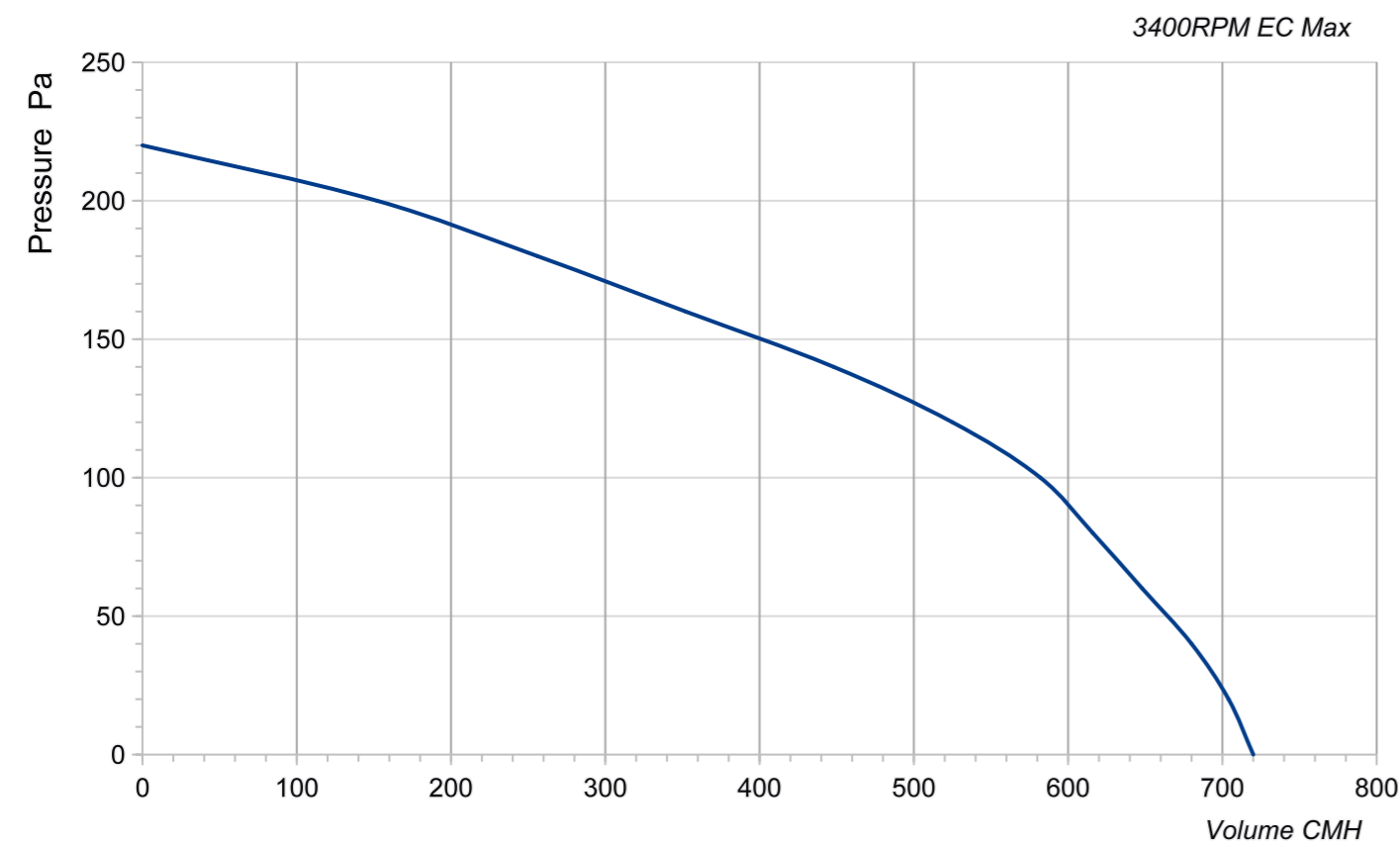
Product Characteristic

- Material: Metal
- Voltage: EC Technology
- Type of Operation: IP54
- Mode of Operation: S1
- Working Temp: 60 C
- Speed Control Type: PWM Control Type 0-5V

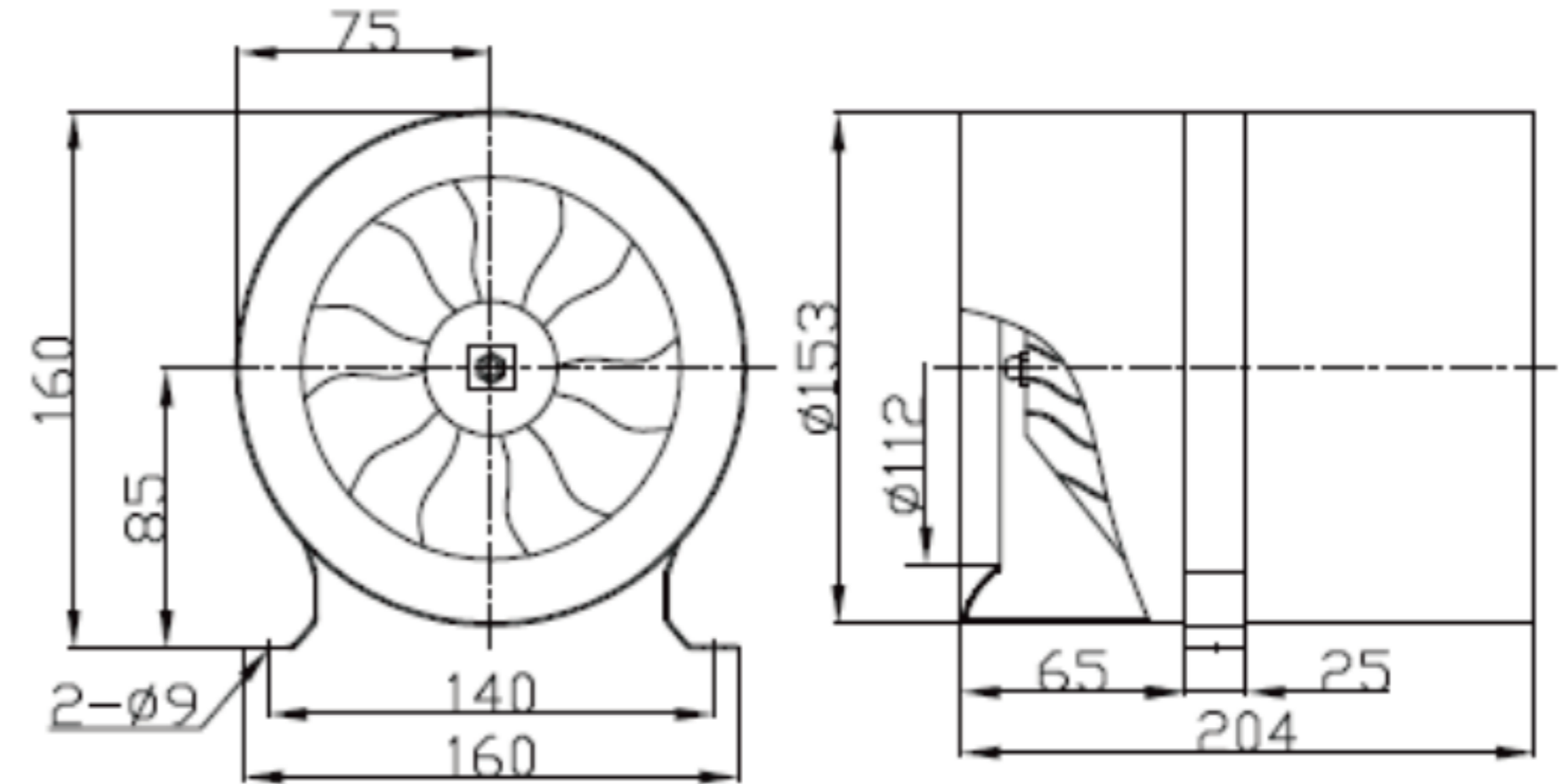


Technical Specifications

| Model | Voltage (V) | Frequency (Hz) | Maximum Flow Value (CMH) | Working Power (W) | Speed (RPM) | Noise [dB(A)] |
|----------------------|-------------|----------------|--------------------------|-------------------|-------------|---------------|
| LWDE-150(6")S-MWN-02 | 220-240 | 50/60 | 720 | 35 | 3400 | 58 |



Product Drawing (mm)



LWDE-200(8") Series

Product Characteristic

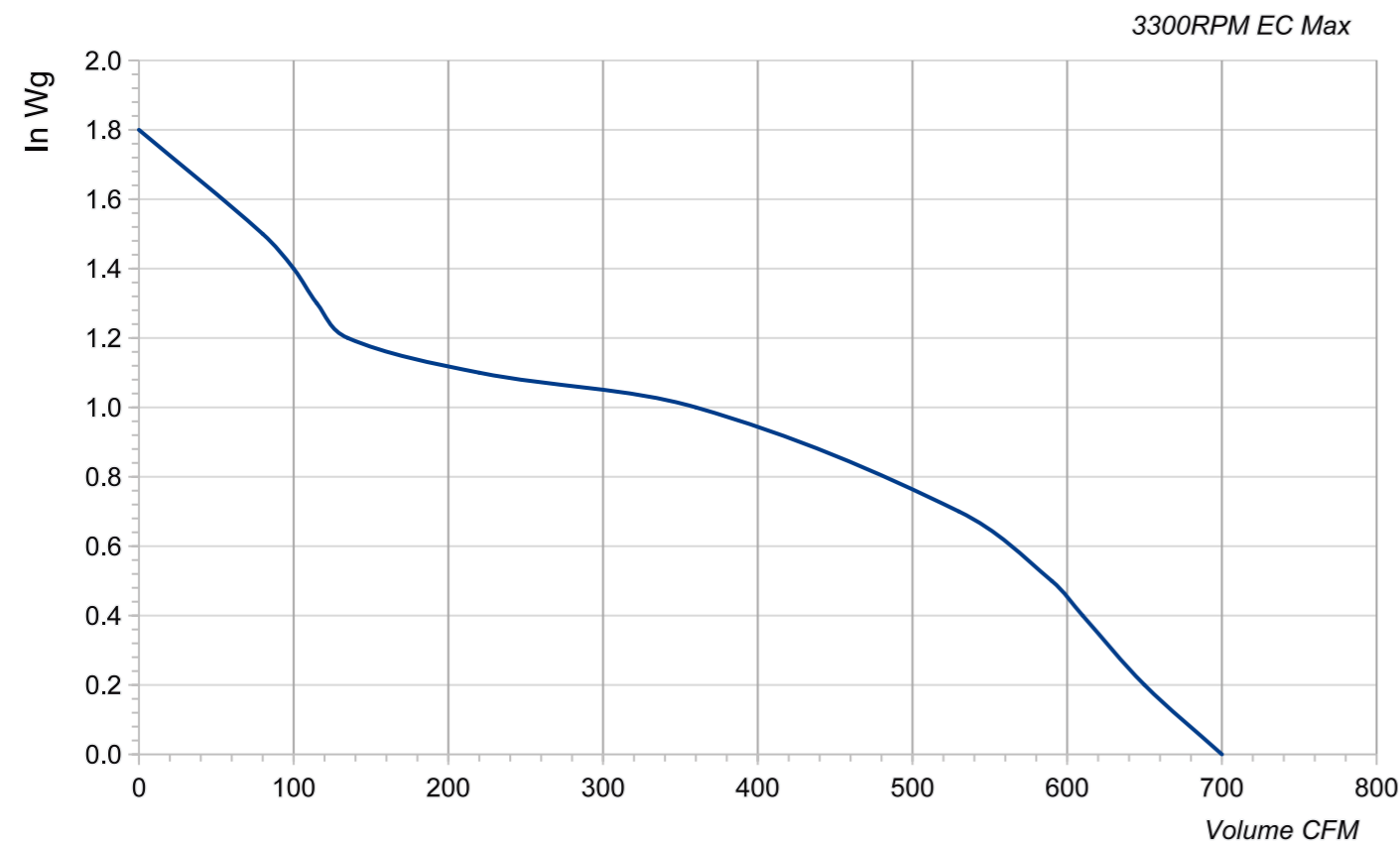
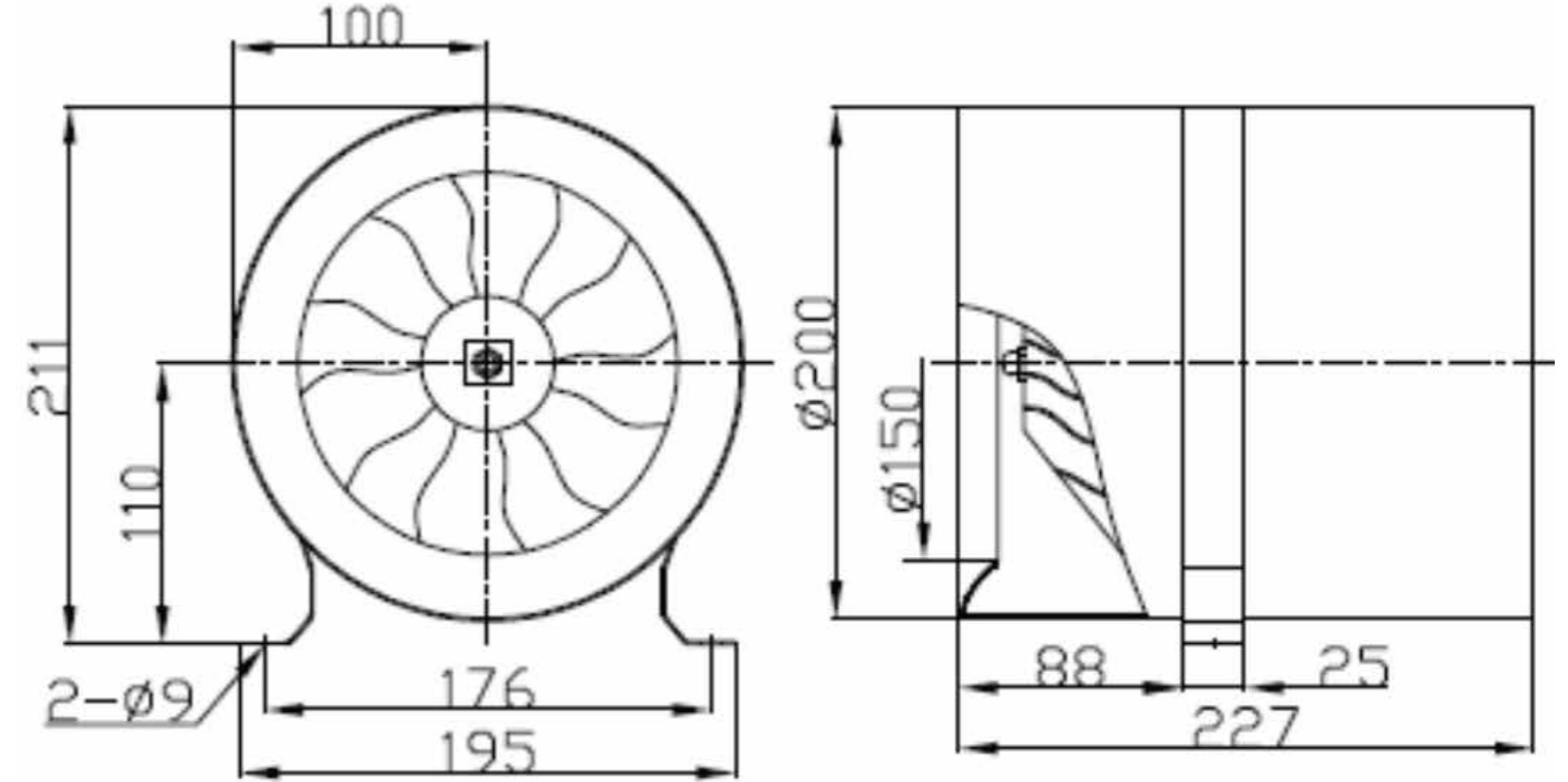
- Material: Metal
- Voltage: EC Technology
- Type of Operation: IP54
- Mode of Operation: S1
- Working Temp: 60 C
- Speed Control Type: PWM Control Type 0-5V



Technical Specifications

| Model | Voltage (V) | Frequency (Hz) | Maximum Flow Value (CFM) | Working Power (W) | Speed (RPM) | Noise [dB(A)] |
|----------------------|-------------|----------------|--------------------------|-------------------|-------------|---------------|
| LWDE-200(8")U-MWN-01 | 110-120 | 60 | 700 | 140 | 3300 | 61 |

Product Drawing (mm)



LWDE-200(8") Series

Product Characteristic

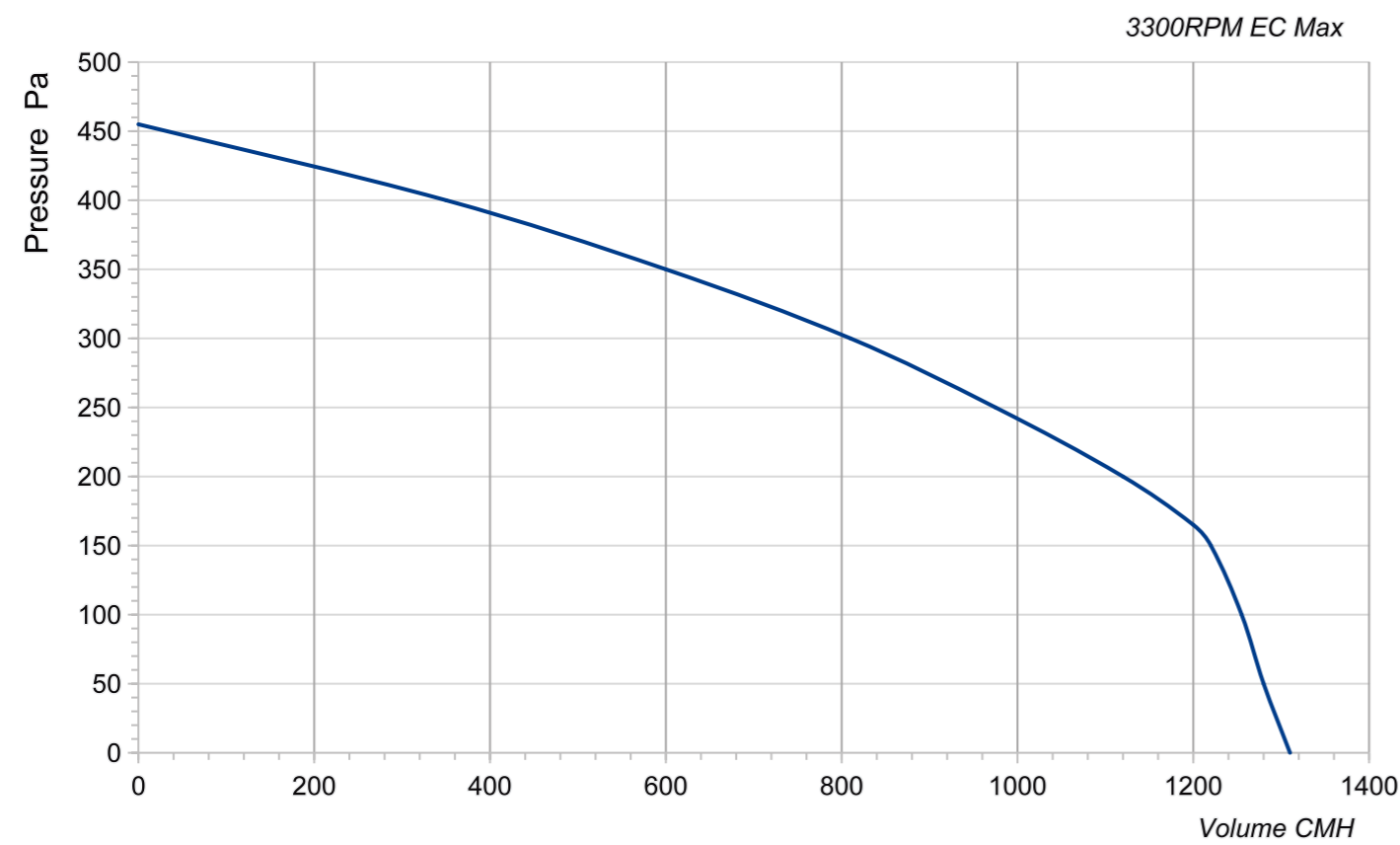
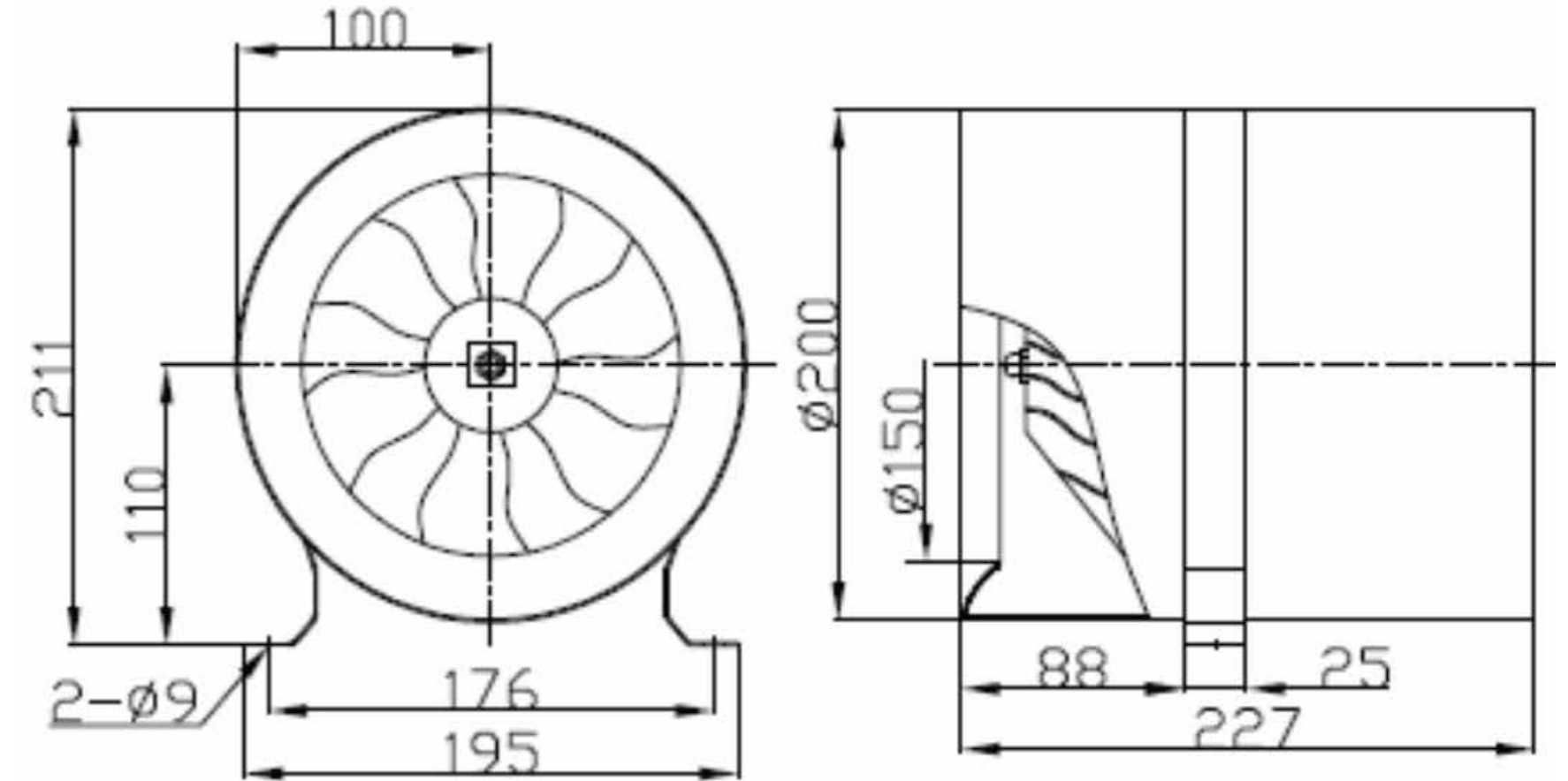
- Material: Metal
- Voltage: EC Technology
- Type of Operation: IP54
- Mode of Operation: S1
- Working Temp: 60 C
- Speed Control Type: PWM Control Type 0-5V



Technical Specifications

| Model | Voltage (V) | Frequency (Hz) | Maximum Flow Value (CMH) | Working Power (W) | Speed (RPM) | Noise [dB(A)] |
|----------------------|-------------|----------------|--------------------------|-------------------|-------------|---------------|
| LWDE-200(8")S-MWN-02 | 220-240 | 50/60 | 1310 | 140 | 3300 | 61 |

Product Drawing (mm)



LWDE-250(10") Series

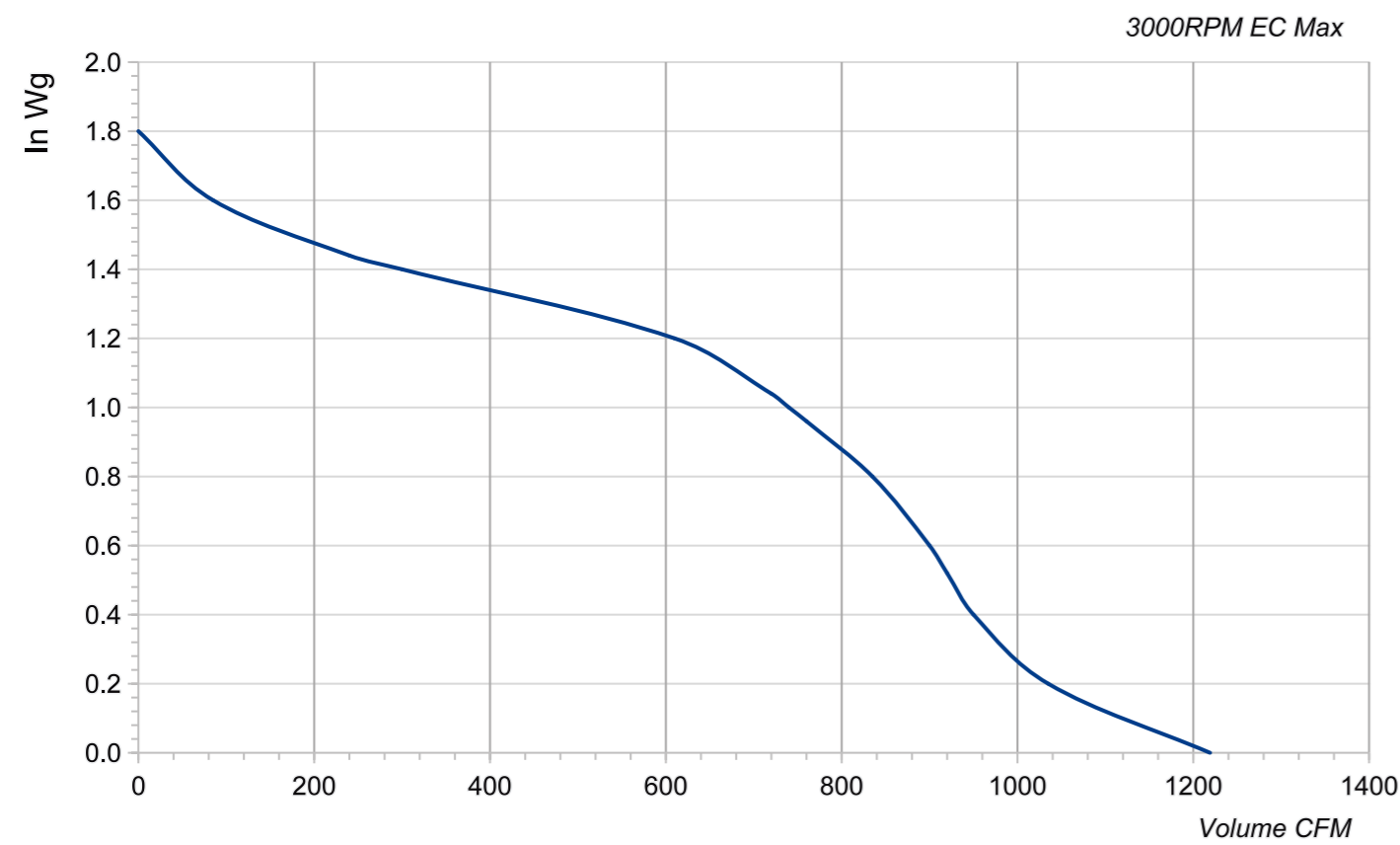
Product Characteristic

- Material: Metal
- Voltage: EC Technology
- Type of Operation: IP54
- Mode of Operation: S1
- Working Temp: 60 C
- Speed Control Type: PWM Control Type 0-5V

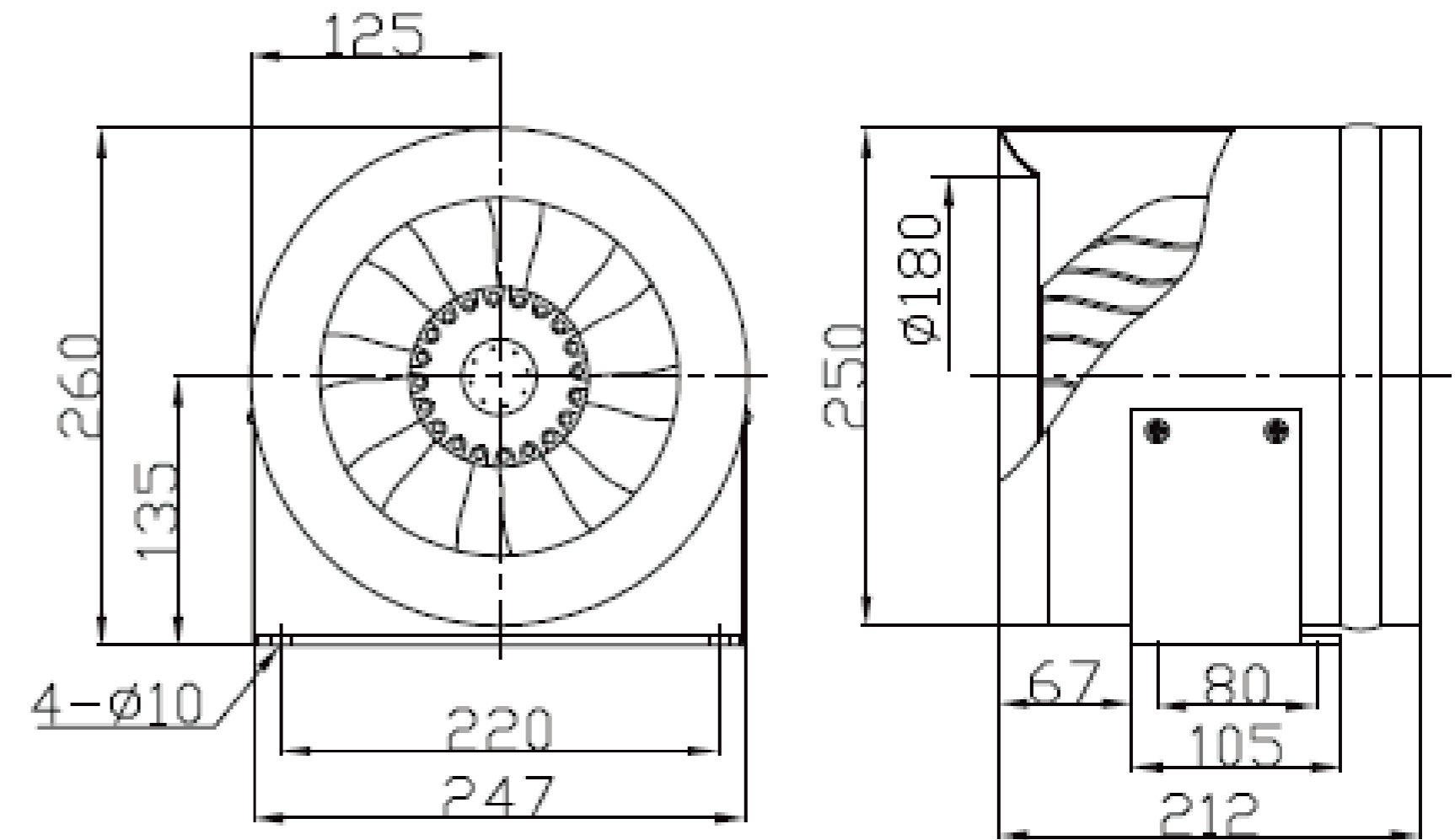


Technical Specifications

| Model | Voltage (V) | Frequency (Hz) | Maximum Flow Value (CFM) | Working Power (W) | Speed (RPM) | Noise [dB(A)] |
|-----------------------|-------------|----------------|--------------------------|-------------------|-------------|---------------|
| LWDE-250(10")U-MWN-01 | 110-120 | 60 | 1219 | 195 | 3000 | 69 |



Product Drawing (mm)



LWDE-250(10") Series

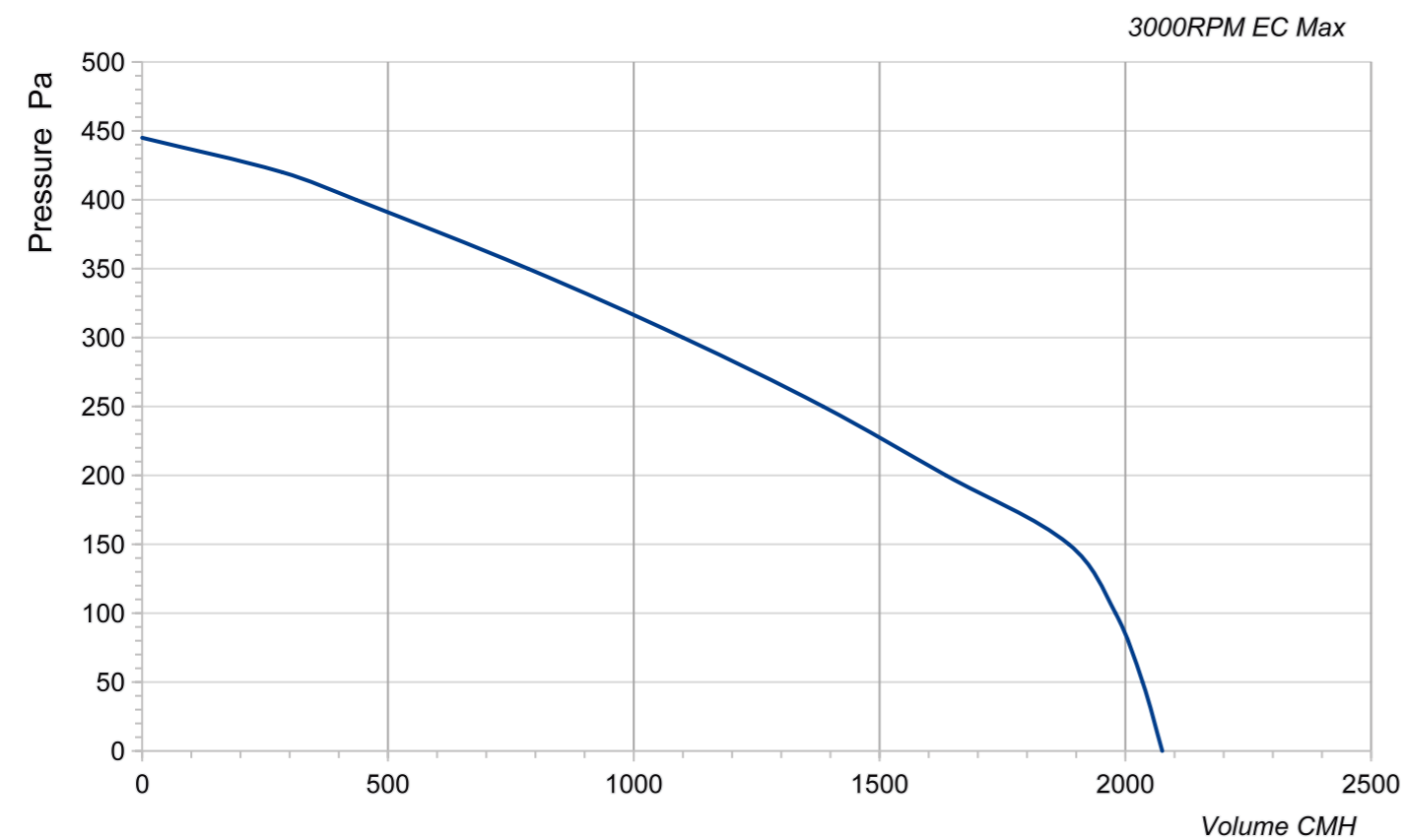
Product Characteristic

- Material: Metal
- Voltage: EC Technology
- Type of Operation: IP54
- Mode of Operation: S1
- Working Temp: 60 C
- Speed Control Type: PWM Control Type 0-5V

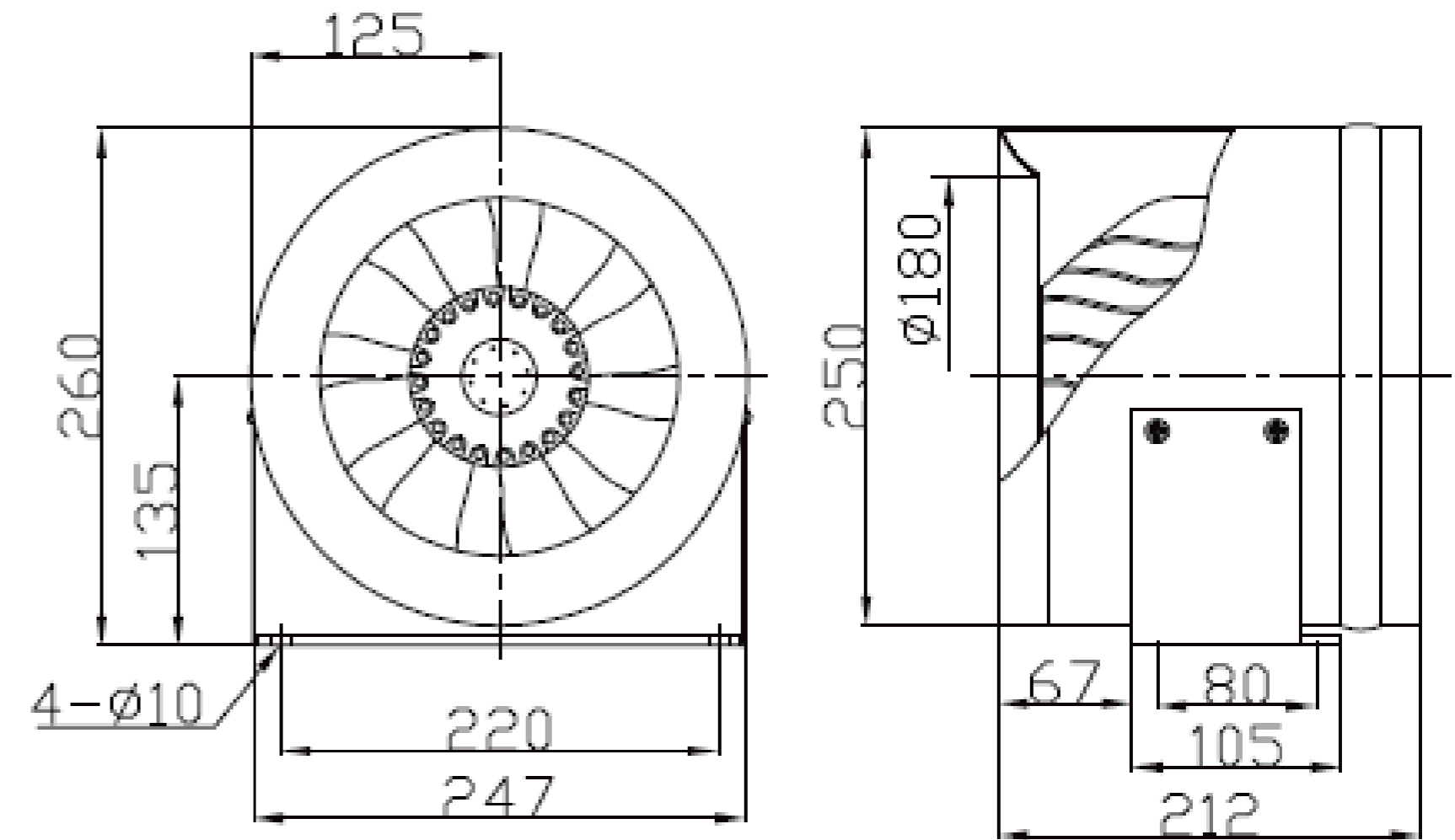


Technical Specifications

| Model | Voltage (V) | Frequency (Hz) | Maximum Flow Value (CMH) | Working Power (W) | Speed (RPM) | Noise [dB(A)] |
|-----------------------|-------------|----------------|--------------------------|-------------------|-------------|---------------|
| LWDE-250(10")S-MWN-02 | 220-240 | 50/60 | 2075 | 195 | 3000 | 69 |



Product Drawing (mm)



LWDE-300(12") Series

Product Characteristic

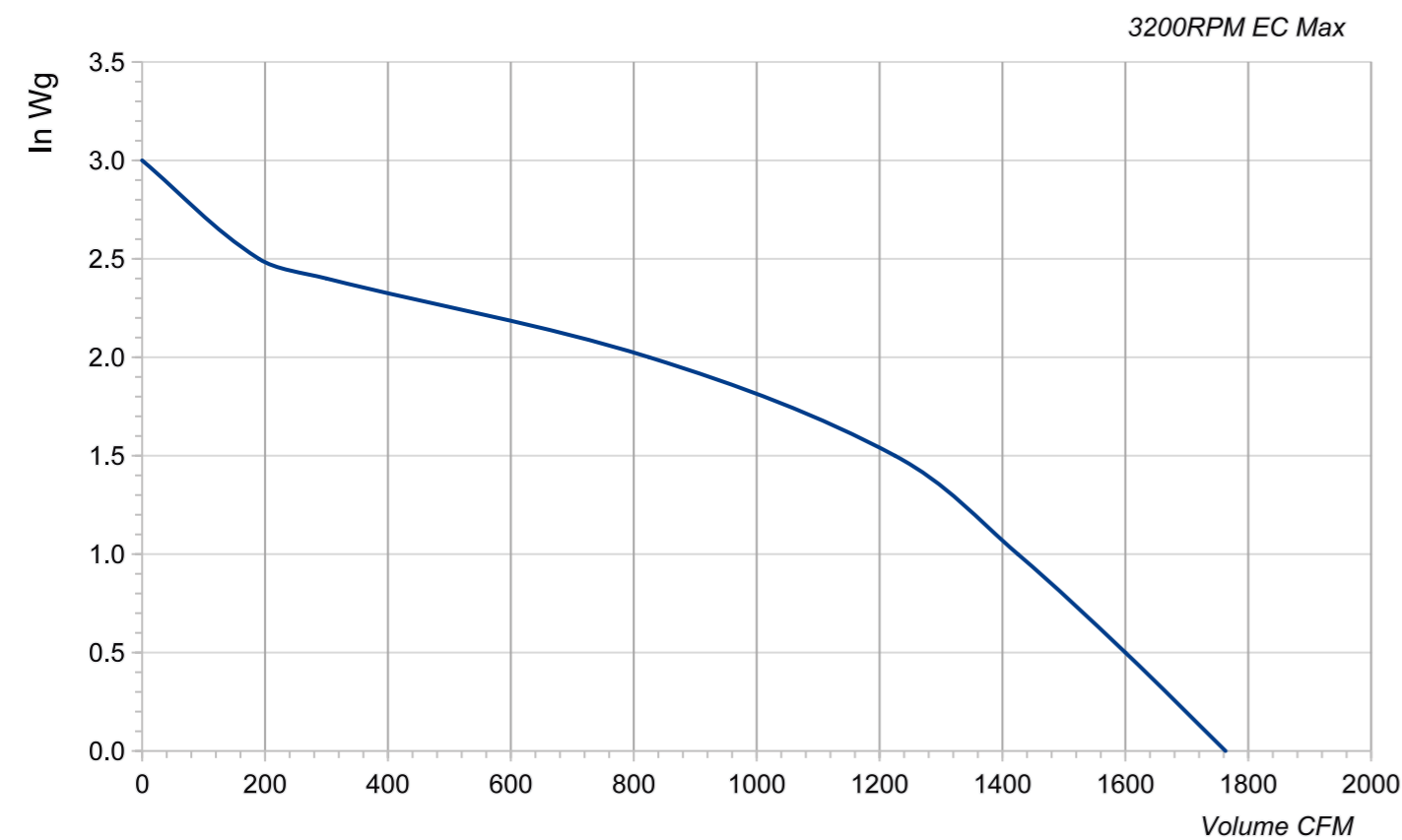
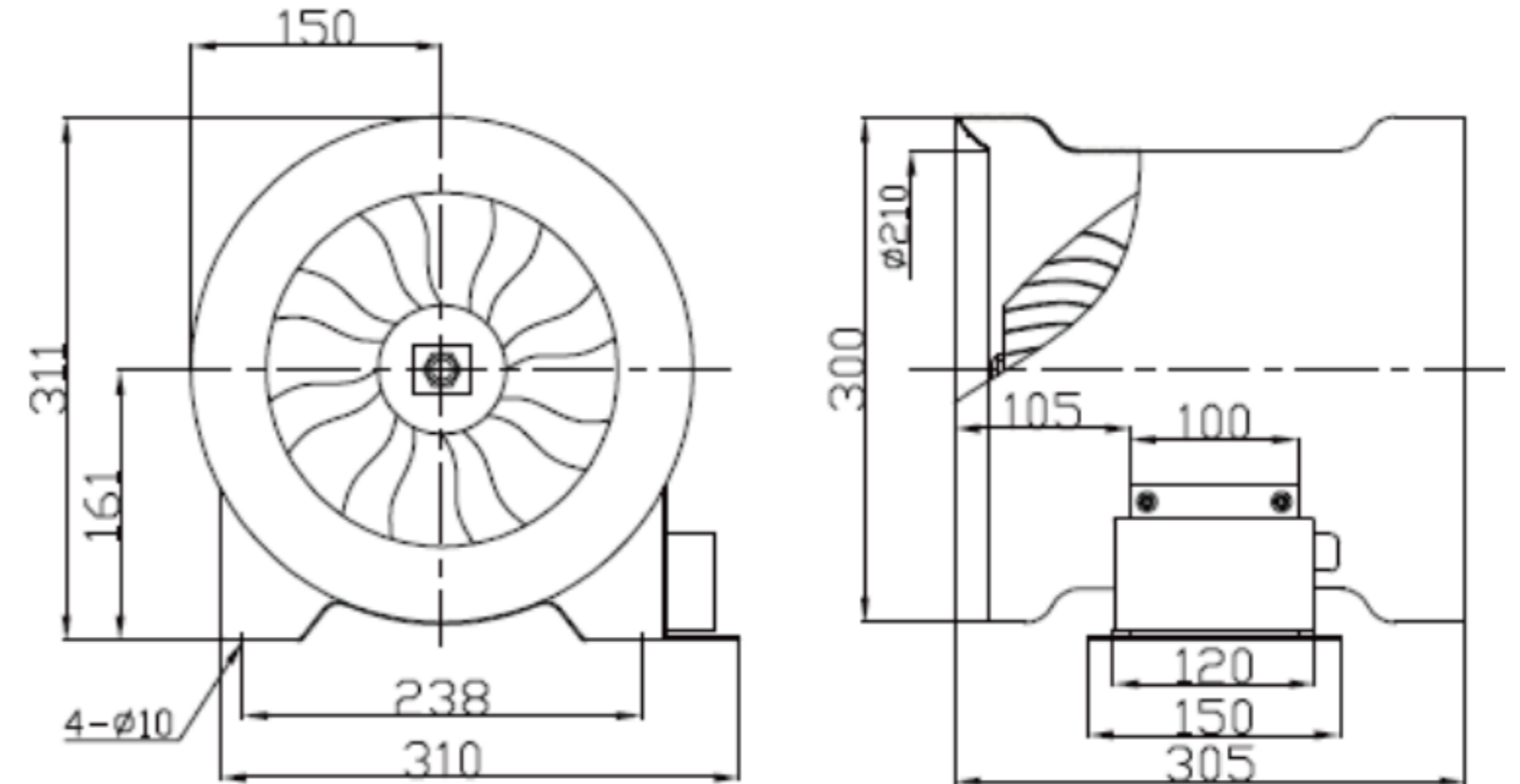
- Material: Metal
- Voltage: EC Technology
- Type of Operation: IP54
- Mode of Operation: S1
- Working Temp: 60 C
- Speed Control Type: PWM Control Type 0-5V



Technical Specifications

| Model | Voltage (V) | Frequency (Hz) | Maximum Flow Value (CFM) | Working Power (W) | Speed (RPM) | Noise [dB(A)] |
|-----------------------|-------------|----------------|--------------------------|-------------------|-------------|---------------|
| LWDE-300(12")U-MWN-01 | 110-120 | 60 | 1763 | 352 | 3200 | 74 |

Product Drawing (mm)



LWDE-300(12") Series

Product Characteristic

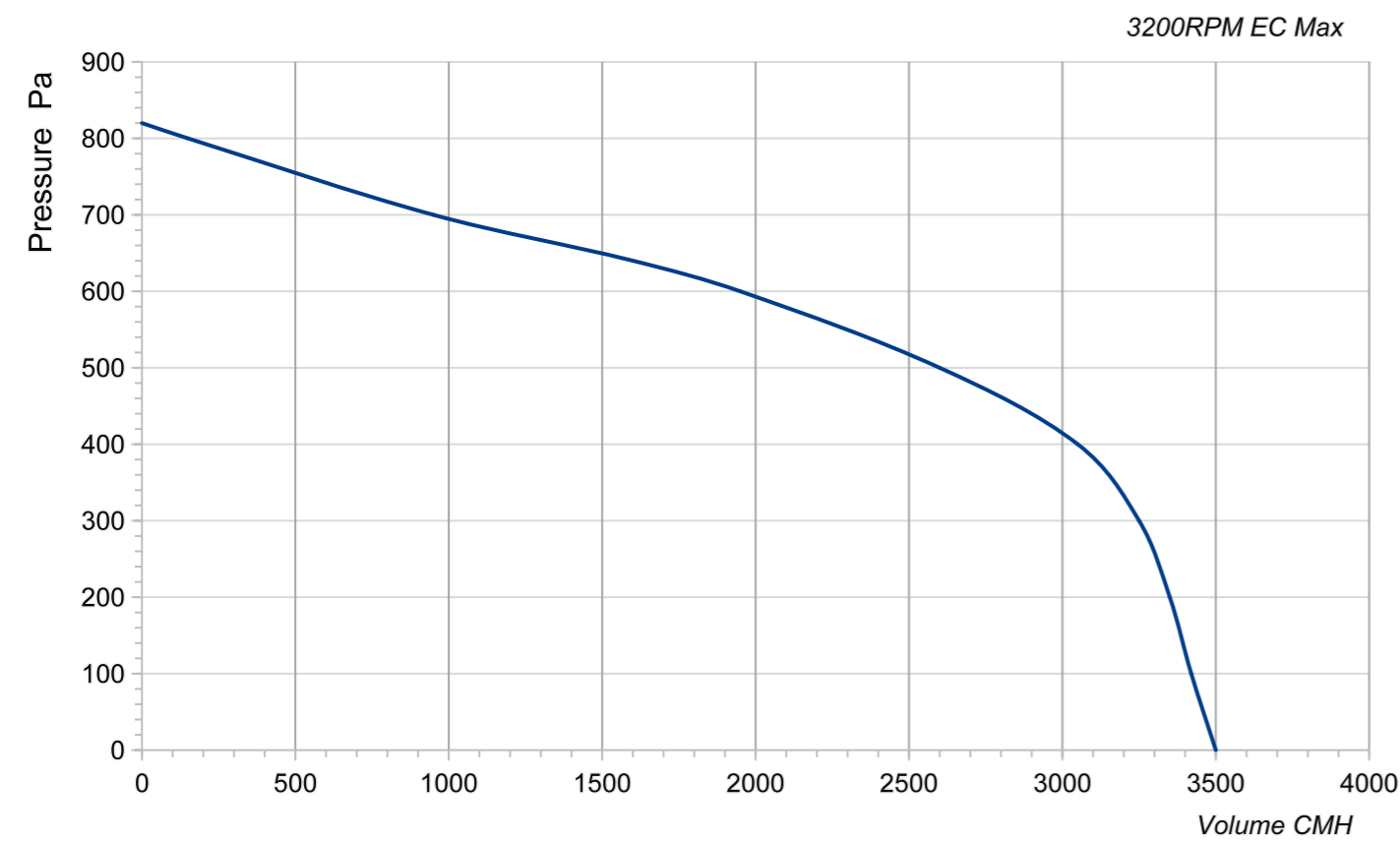
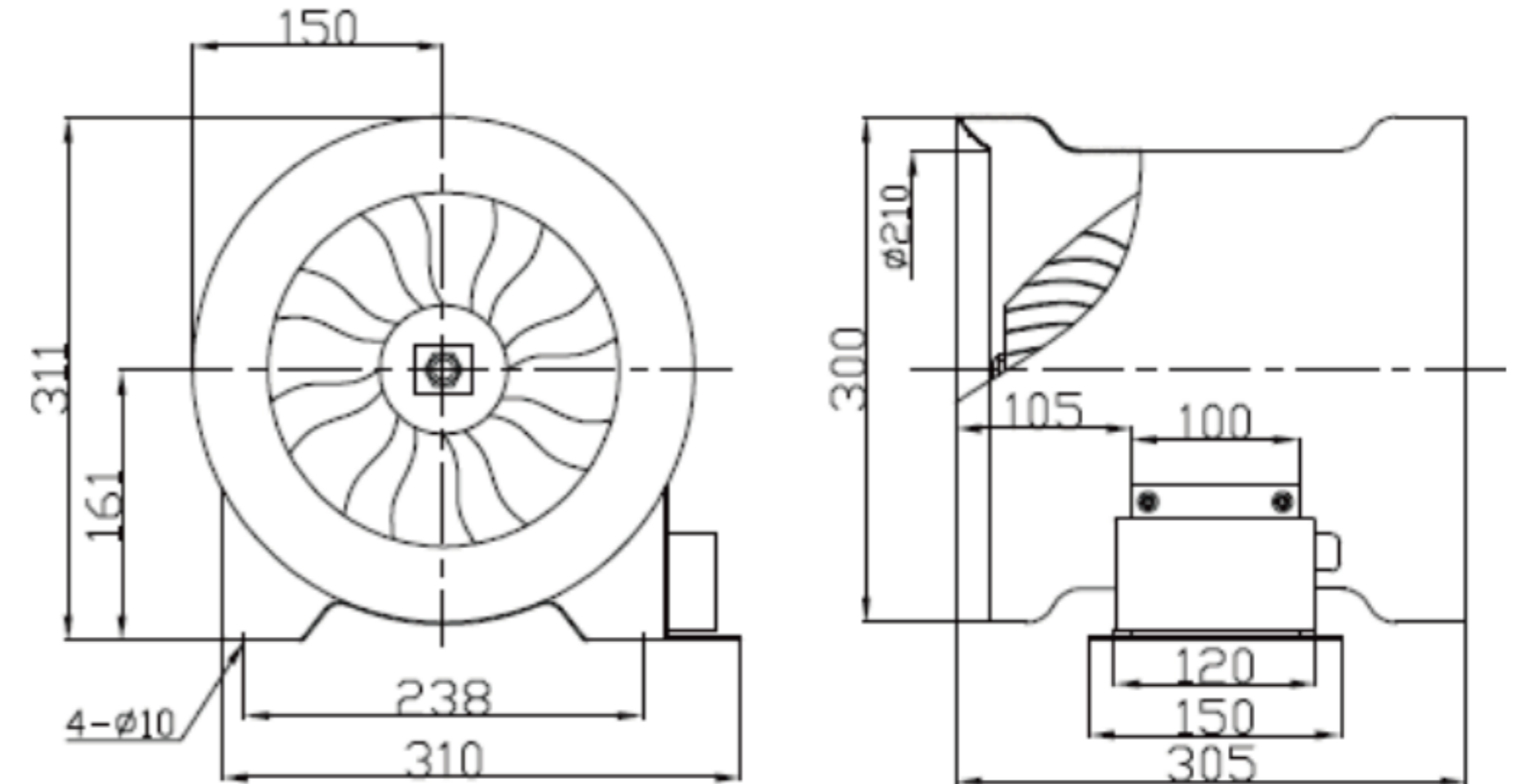
- Material: Metal
- Voltage: EC Technology
- Type of Operation: IP54
- Mode of Operation: S1
- Working Temp: 60 C
- Speed Control Type: PWM Control Type 0-5V



Technical Specifications

| Model | Voltage (V) | Frequency (Hz) | Maximum Flow Value (CMH) | Working Power (W) | Speed (RPM) | Noise [dB(A)] |
|-----------------------|-------------|----------------|--------------------------|-------------------|-------------|---------------|
| LWDE-300(12")S-MWN-02 | 220-240 | 50/60 | 3500 | 352 | 3200 | 74 |

Product Drawing (mm)



LWDE-350(14") Series

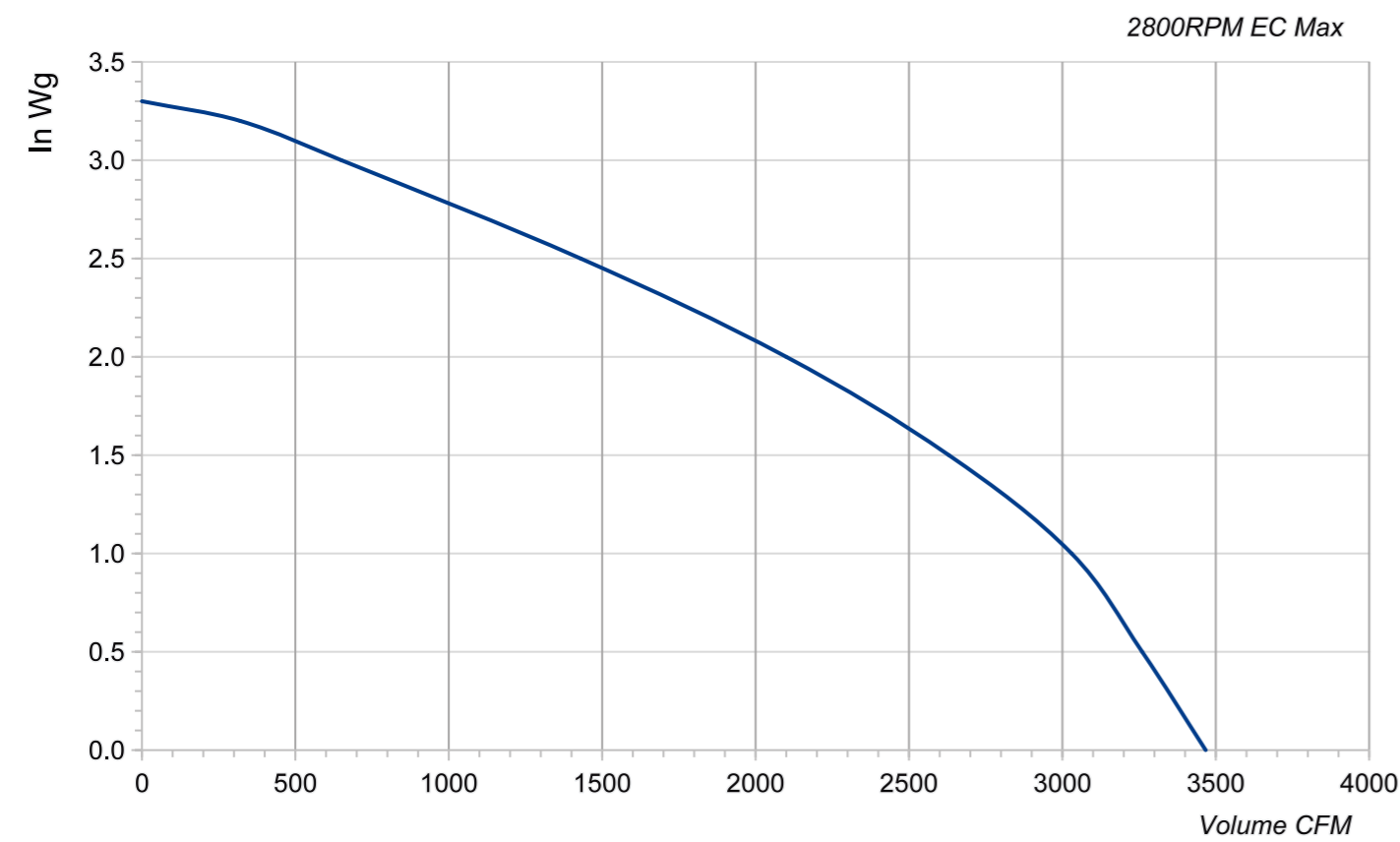
Product Characteristic

- Material: Metal
- Voltage: EC Technology
- Type of Operation: IP54
- Mode of Operation: S1
- Working Temp: 80 C
- Speed Control Type: PWM Control Type 0-5V

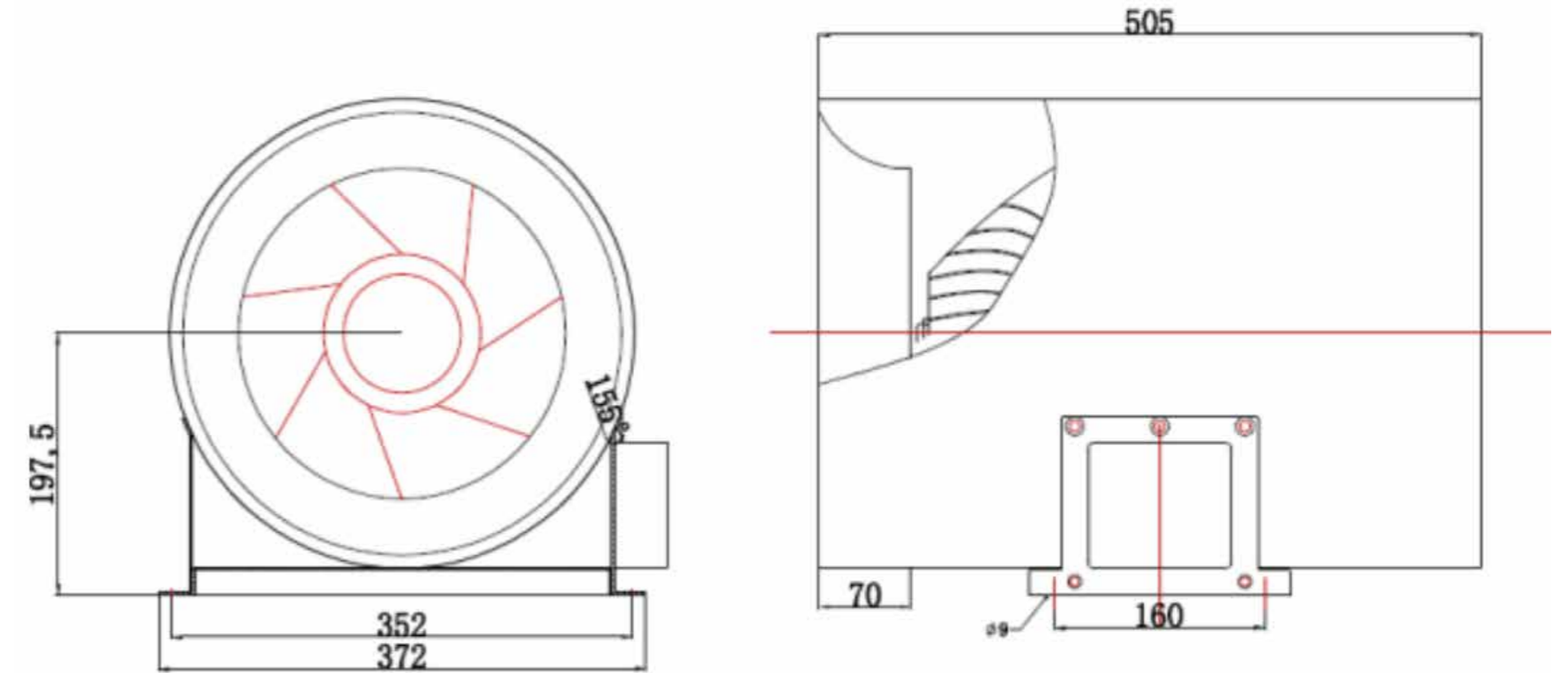


Technical Specifications

| Model | Voltage (V) | Frequency (Hz) | Maximum Flow Value (CFM) | Working Power (W) | Speed (RPM) | Noise [dB(A)] |
|-----------------------|-------------|----------------|--------------------------|-------------------|-------------|---------------|
| LWDE-350(14")U-MWN-01 | 110-120 | 60 | 3467 | 659 | 2800 | 77 |



Product Drawing (mm)



LWDE-350(14") Series

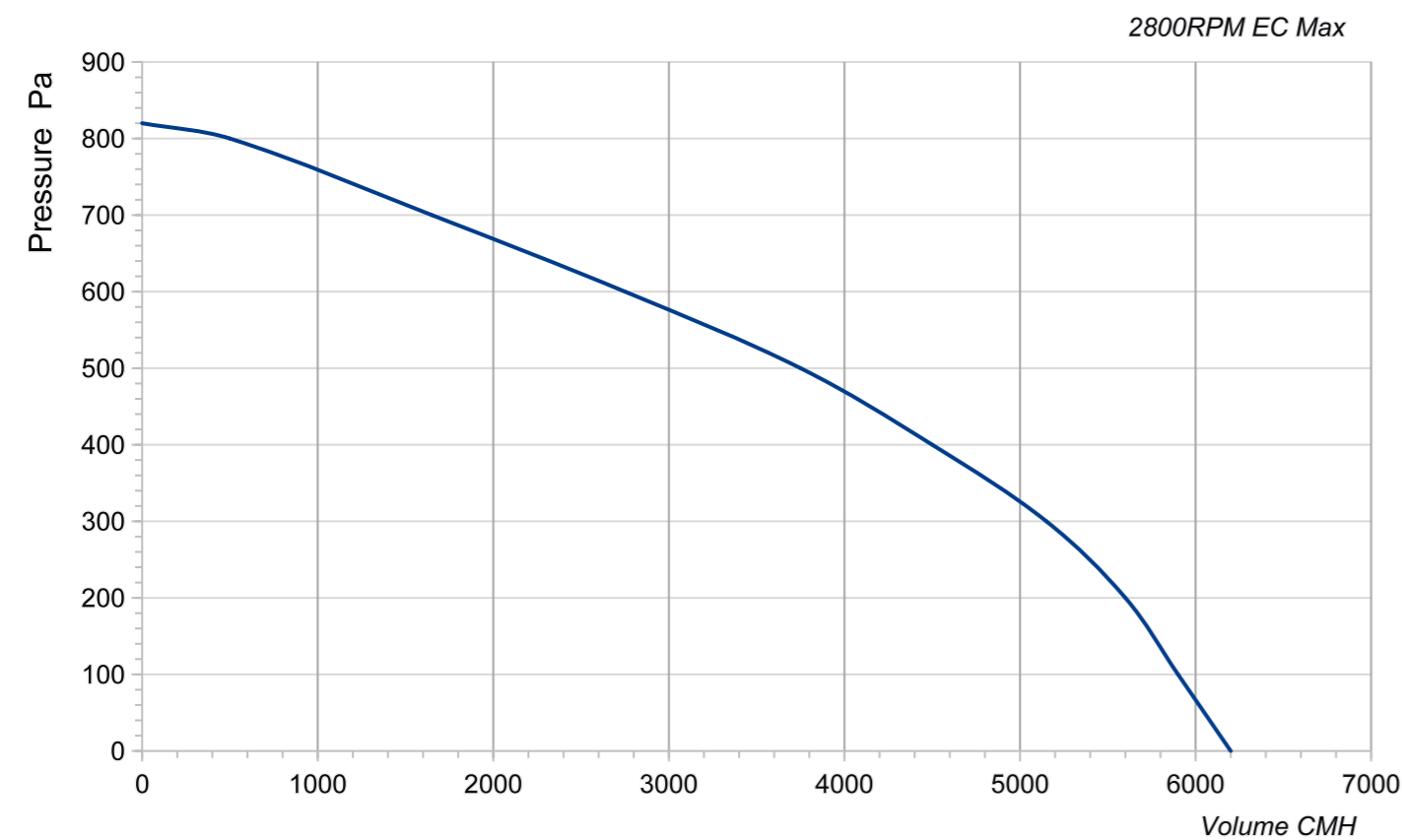
Product Characteristic

- Material: Metal
- Voltage: EC Technology
- Type of Operation: IP54
- Mode of Operation: S1
- Working Temp: 80 C
- Speed Control Type: PWM Control Type 0-5V

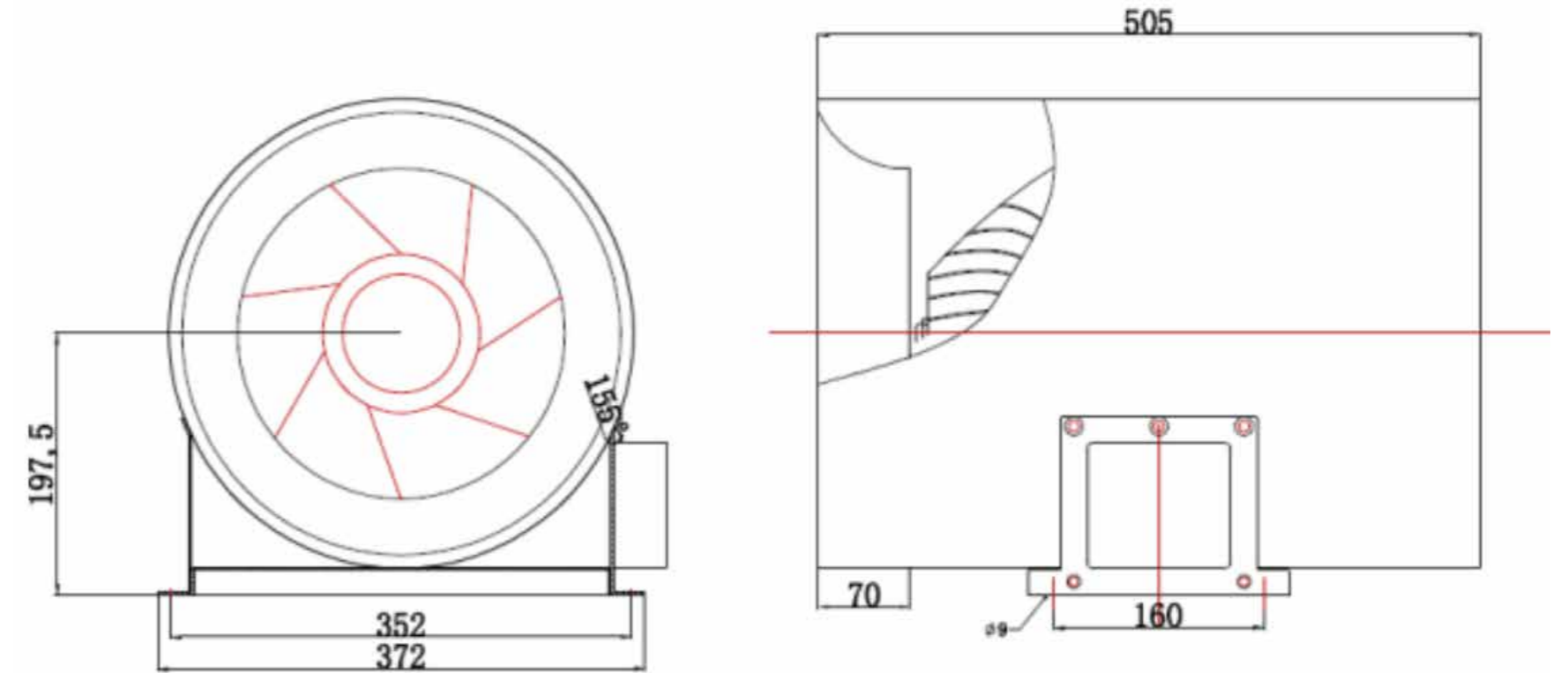


Technical Specifications

| Model | Voltage (V) | Frequency (Hz) | Maximum Flow Value (CMH) | Working Power (W) | Speed (RPM) | Noise [dB(A)] |
|-----------------------|-------------|----------------|--------------------------|-------------------|-------------|---------------|
| LWDE-350(14")S-MWN-02 | 220-240 | 50/60 | 6200 | 659 | 2800 | 77 |



Product Drawing (mm)



LWDE-400(16") Series

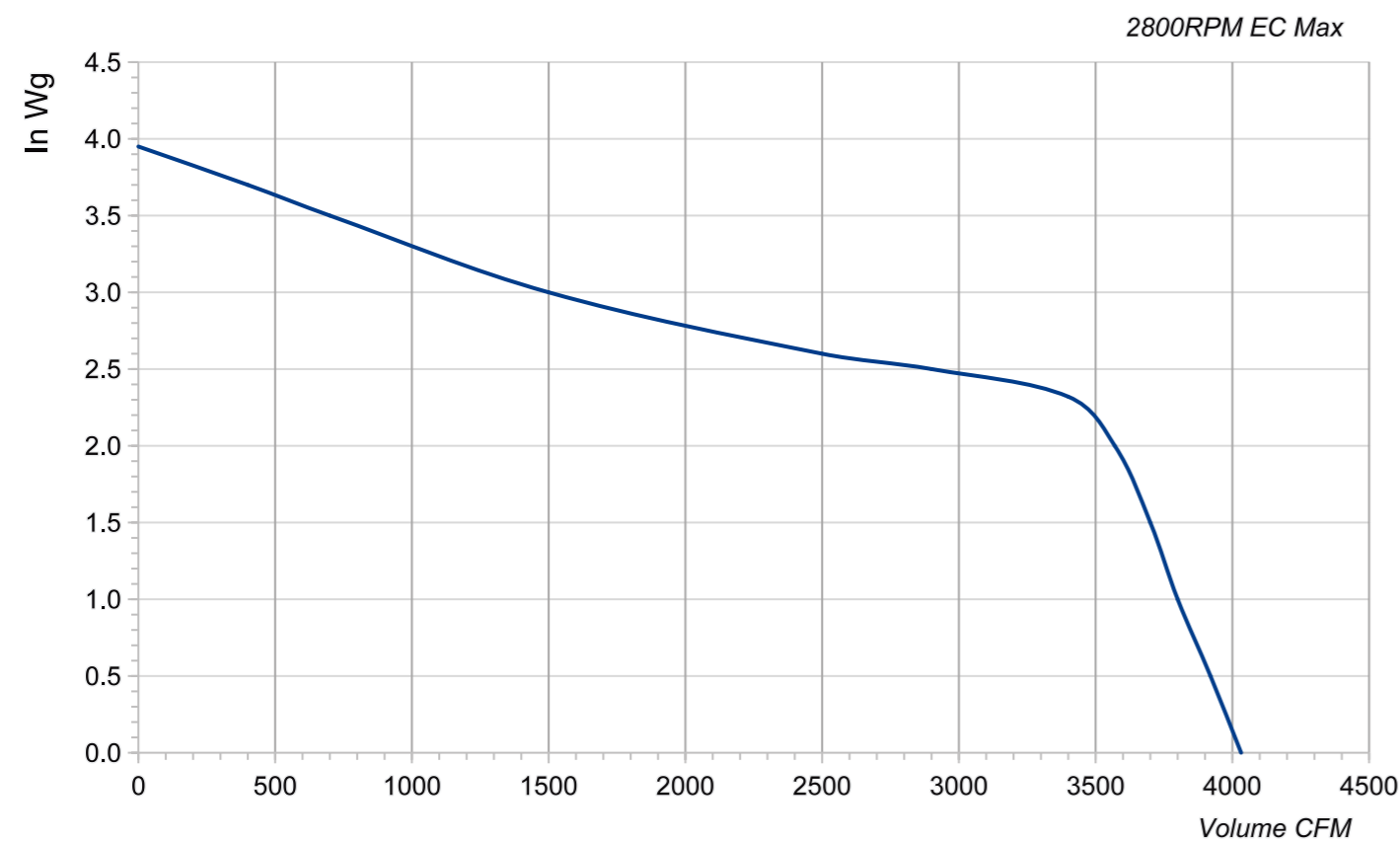
Product Characteristic

- Material: Metal
- Voltage: EC Technology
- Type of Operation: IP54
- Mode of Operation: S1
- Working Temp: 80 C
- Speed Control Type: PWM Control Type 0-5V

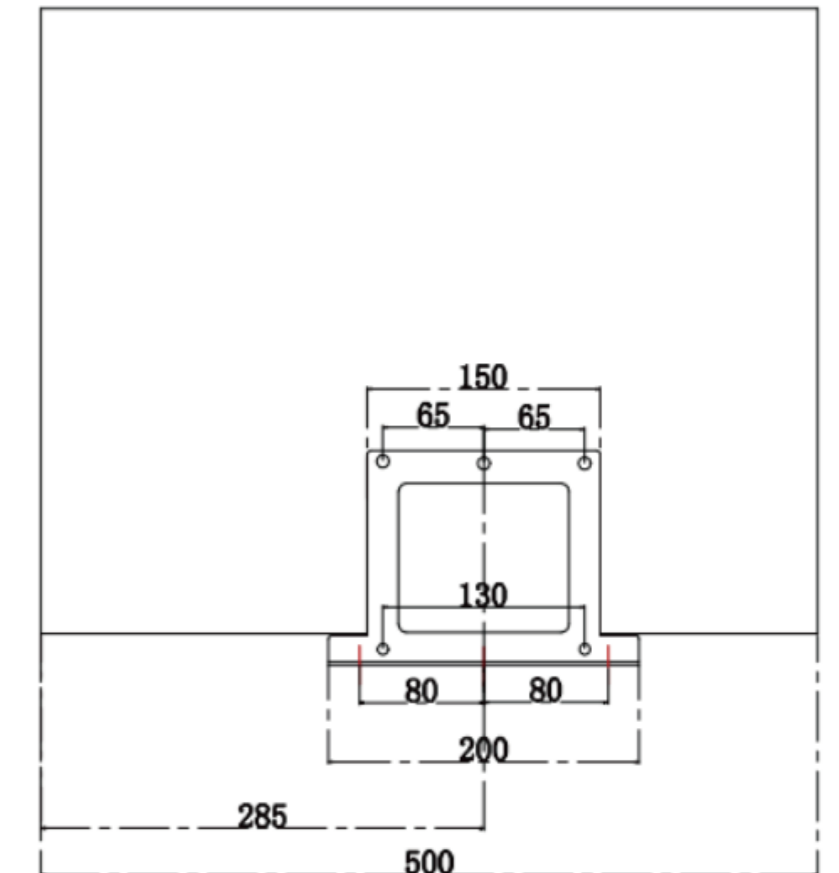
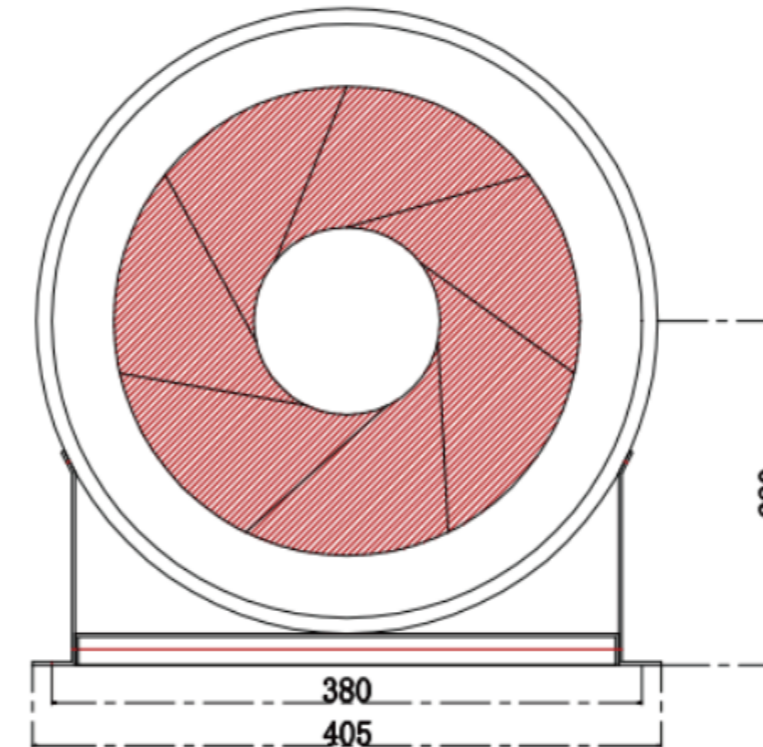


Technical Specifications

| Model | Voltage (V) | Frequency (Hz) | Maximum Flow Value (CFM) | Working Power (W) | Speed (RPM) | Noise [dB(A)] |
|-----------------------|-------------|----------------|--------------------------|-------------------|-------------|---------------|
| LWDE-400(16")U-MWN-01 | 110-120 | 60 | 4032 | 1200 | 2800 | 81 |



Product Drawing (mm)



LWDE-400(16") Series

Product Characteristic

- Material: Metal
- Voltage: EC Technology
- Type of Operation: IP54
- Mode of Operation: S1
- Working Temp: 80 °C
- Speed Control Type: PWM Control Type 0-5V



Technical Specifications

| Model | Voltage (V) | Frequency (Hz) | Maximum Flow Value (CMH) | Working Power (W) | Speed (RPM) | Noise [dB(A)] |
|-----------------------|-------------|----------------|--------------------------|-------------------|-------------|---------------|
| LWDE-400(16")S-MWN-02 | 220-240 | 50/60 | 6850 | 1200 | 2800 | 81 |

Product Drawing (mm)

