

EC Plastic Inline Duct Fan

- Wind tunnel test simulation
- Velocity vector graph analysis
- Air flow path
- Velocity distribution cloud map
- Application of fan hydrodynamics (CFD)



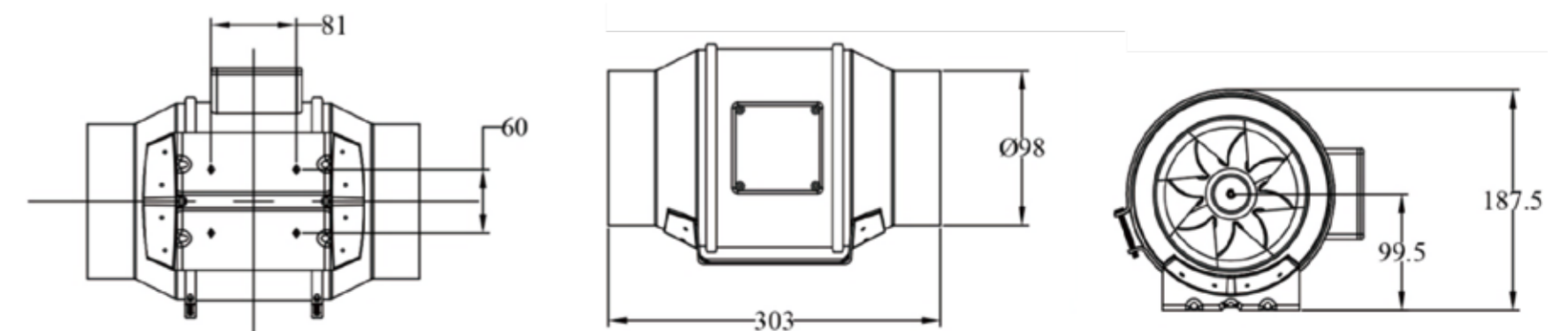
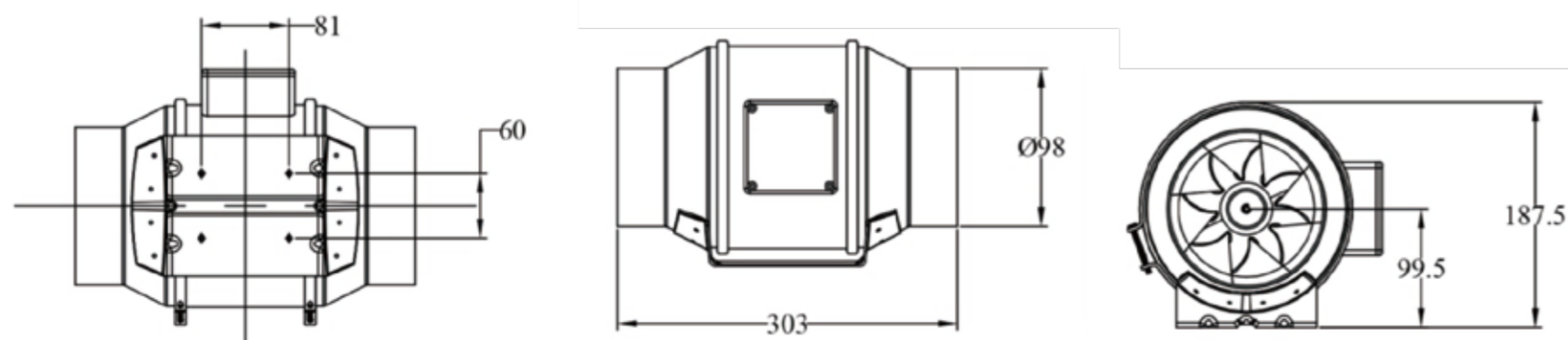


Technical Specifications

| | | | |
|-------------------------------|------------------|--------------------------|-------------------------------|
| Model | LWDE-100S-PWY-01 | N.W | 1.7kg |
| Air Flow Duct Diameter | 98mm | Package Data | 335mm×245mm×220mm |
| G.W | 2.3kg | Voltage | AC110-240V |
| Frequency | 50/60Hz | Power | 30W |
| Fan Speed | 2700RPM | Air Flow | 205CFM |
| Noise Level | 28dB-A | Power Pinput Wire | 3Core×0.75 ² ×1.5M |
| Control Wire Length | 2.5m | Speed Control | Out-side Control box |

Technical Specifications

| | | | |
|-------------------------------|------------------|--------------------------|-------------------------------|
| Model | LWDE-100S-PWY-02 | N.W | 1.7kg |
| Air Flow Duct Diameter | 98mm | Package Data | 335mm×245mm×220mm |
| G.W | 2.3kg | Voltage | AC110-240V |
| Frequency | 50/60Hz | Power | 35W |
| Fan Speed | 2900RPM | Air Flow | 212CFM |
| Noise Level | 28dB-A | Power Pinput Wire | 3Core×0.75 ² ×1.5M |
| Control Wire Length | 2.5m | Speed Control | Out-side Control box |





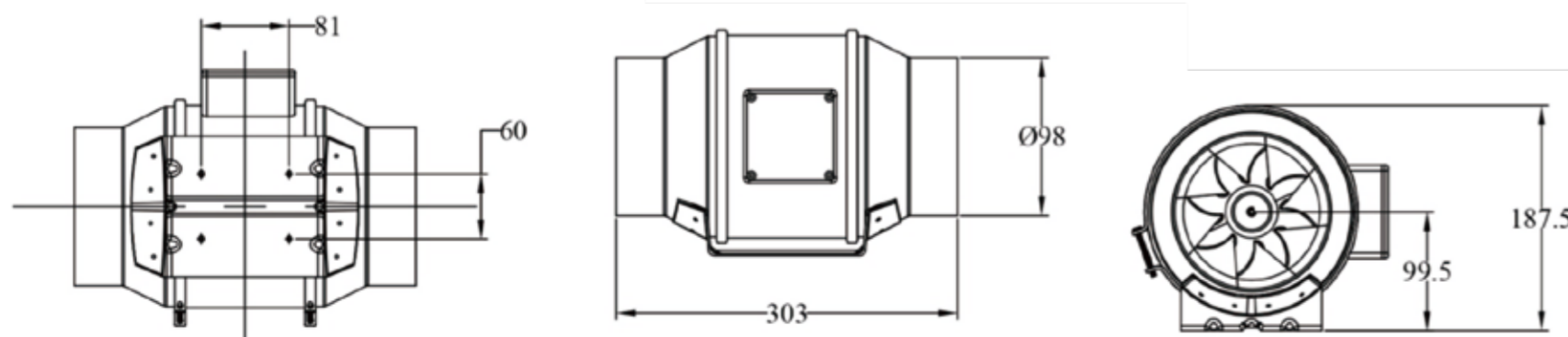
LWDE-100S-PWY-03



LWDE-100S-PWY-04

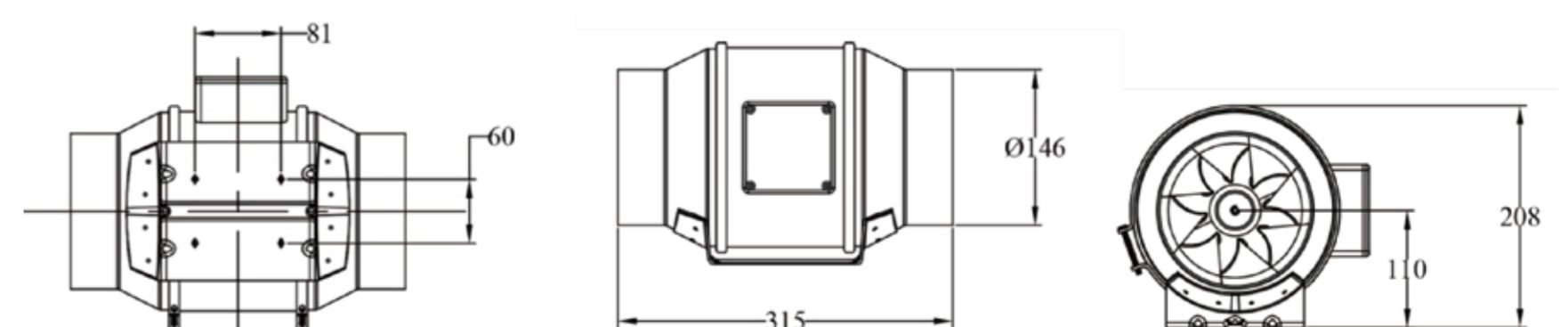
Technical Specifications

| | | | |
|-------------------------------|------------------|--------------------------|---|
| Model | LWDE-100S-PWY-03 | N.W | 2.1kg |
| Air Flow Duct Diameter | 98mm | Package Data | 335mm×245mm×260mm |
| G.W | 2.75kg | Voltage | AC110-240V |
| Frequency | 50/60Hz | Power | 30W |
| Fan Speed | 2700RPM | Air Flow | 205CFM |
| Noise Level | 28dB-A | Power Pinput Wire | 3Core×0.75 ² ×1.5M |
| Control Wire Length | 2.5m | Speed Control | Out-side speed control box with temperature & humidity function Speed control/Timer/Alarm Function |



Technical Specifications

| | | | |
|-------------------------------|------------------|--------------------------|---|
| Model | LWDE-100S-PWY-04 | N.W | 2.1kg |
| Air Flow Duct Diameter | 98mm | Package Data | 335mm×245mm×260mm |
| G.W | 2.75kg | Voltage | AC110-240V |
| Frequency | 50/60Hz | Power | 35W |
| Fan Speed | 2900RPM | Air Flow | 212CFM |
| Noise Level | 28dB-A | Power Pinput Wire | 3Core×0.75 ² ×1.5M |
| Control Wire Length | 2.5m | Speed Control | Out-side speed control box with temperature & humidity function Speed control/Timer/Alarm Function |





LWDE-150S-PWY-01



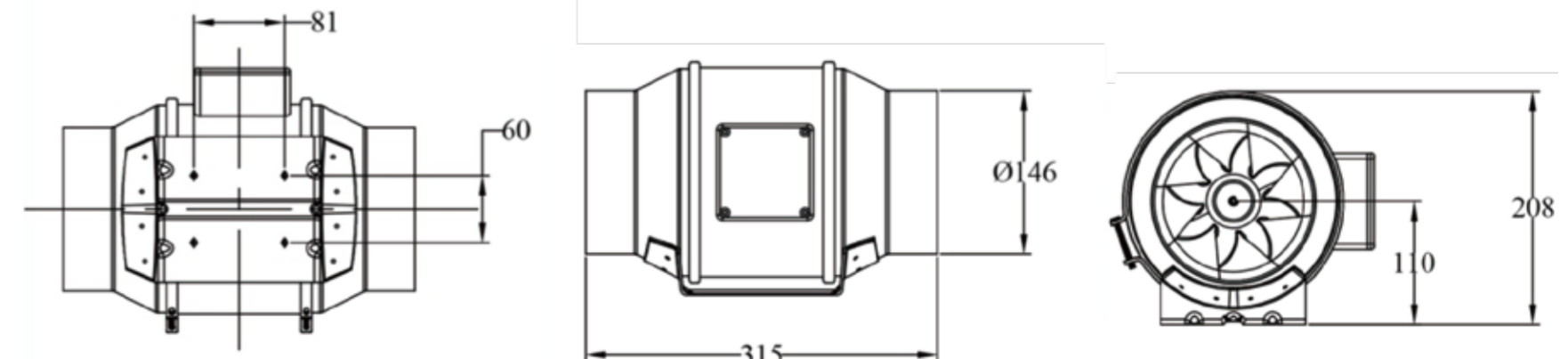
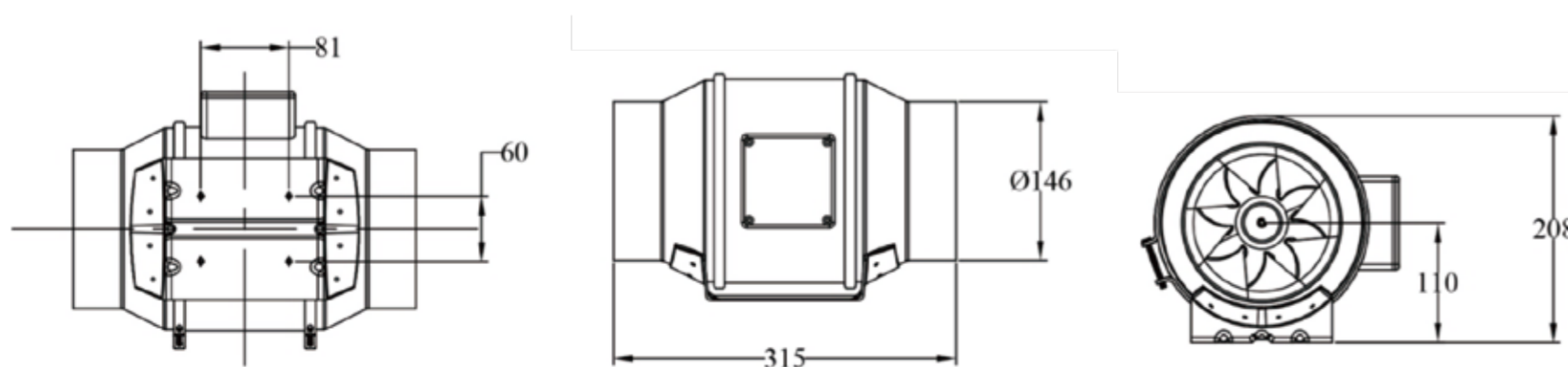
LWDE-150S-PBY-02

Technical Specifications

| | | | |
|------------------------|------------------|-------------------|-------------------------------|
| Model | LWDE-150S-PWY-01 | N.W | 2.4kg |
| Air Flow Duct Diameter | 147mm | Package Data | 345mm×265mm×240mm |
| G.W | 3kg | Voltage | AC110-240V |
| Frequency | 50/60Hz | Power | 50W |
| Fan Speed | 2800RPM | Air Flow | 305CFM |
| Noise Level | 34dB-A | Power Pinput Wire | 3Core×0.75 ² ×1.5M |
| Control Wire Length | 2.5m | Speed Control | Out-side Control box |

Technical Specifications

| | | | |
|------------------------|--------------------|-------------------|-------------------------------|
| Model | LWDE-150S-PBY-02 | N.W | 2.4kg |
| Air Flow Duct Diameter | 147mm | Package Data | 345mm×265mm×240mm |
| G.W | 3kg | Voltage | AC110-240V |
| Frequency | 50/60Hz | Power | 70W |
| Fan Speed | 2800RPM | Air Flow | 402CFM |
| Noise Level | 34dB-A | Power Pinput Wire | 3Core×0.75 ² ×1.5M |
| Control system | Knob speed control | Speed Control | Out-side Control box |



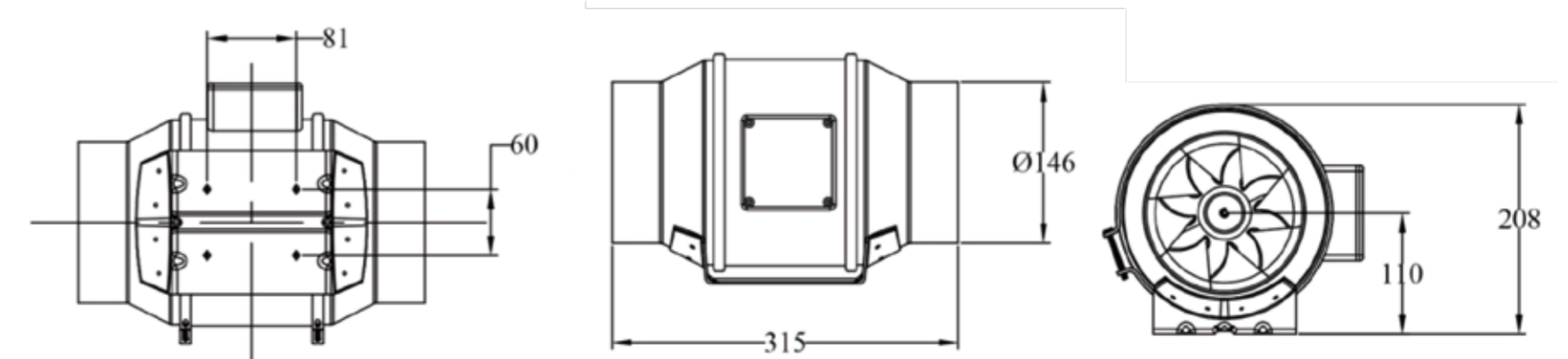
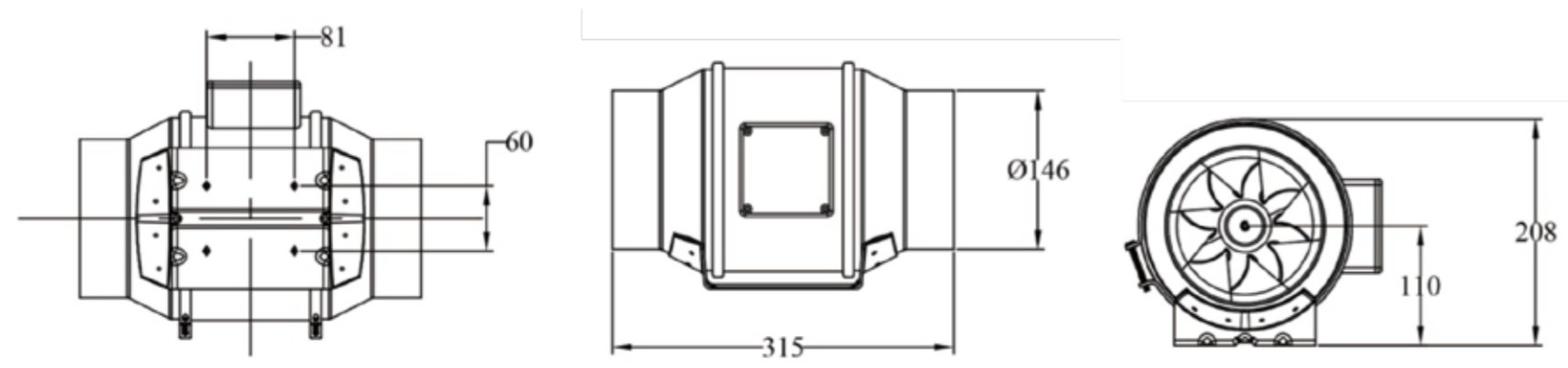


Technical Specifications

| | | | |
|-------------------------------|------------------|--------------------------|---|
| Model | LWDE-150S-PWY-03 | N.W | 2.4kg |
| Air Flow Duct Diameter | 147mm | Package Data | 345mm×265mm×240mm |
| G.W | 3kg | Voltage | AC110-240V |
| Frequency | 50/60Hz | Power | 20W |
| Fan Speed | 2500RPM | Air Flow | 305CFM |
| Noise Level | 34dB-A | Power Pinput Wire | 3Core×0.75 ² ×1.5M |
| Control Wire Length | 2.5m | Speed Control | Out-side speed control box with temperature & humidity function Speed control/Timer/Alarm Function |

Technical Specifications

| | | | |
|-------------------------------|--------------------|--------------------------|---|
| Model | LWDE-150S-PBY-04 | N.W | 2.4kg |
| Air Flow Duct Diameter | 147mm | Package Data | 345mm×265mm×240mm |
| G.W | 3kg | Voltage | AC110-240V |
| Frequency | 50/60Hz | Power | 70W |
| Fan Speed | 2800RPM | Air Flow | 402CFM |
| Noise Level | 34dB-A | Power Pinput Wire | 3Core×0.75 ² ×1.5M |
| Control system | Knob speed control | Speed Control | Out-side speed control box with temperature & humidity function Speed control/Timer/Alarm Function |



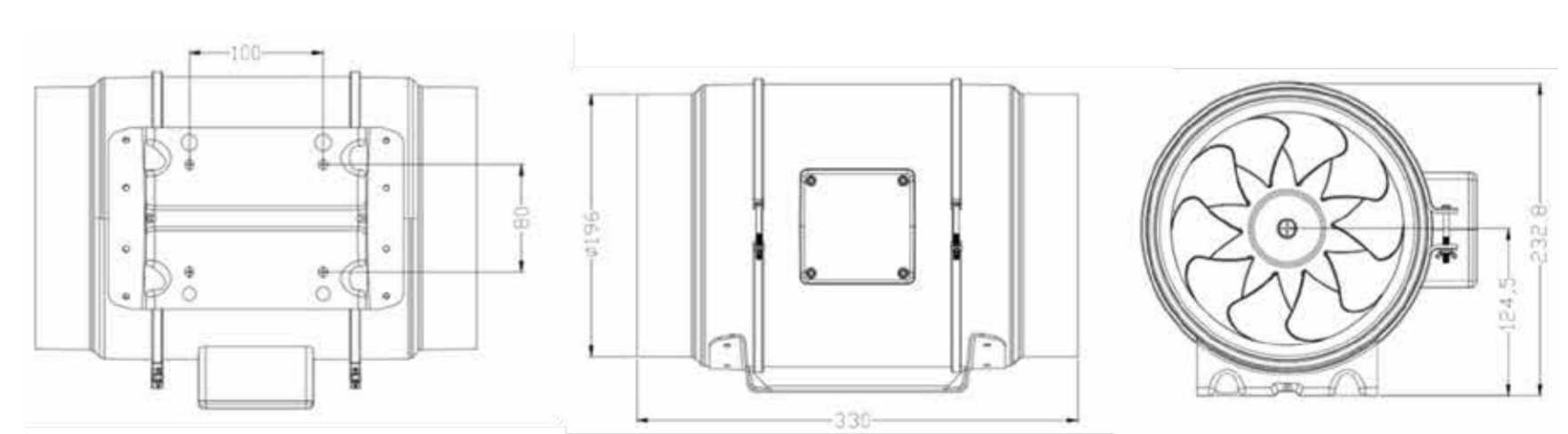
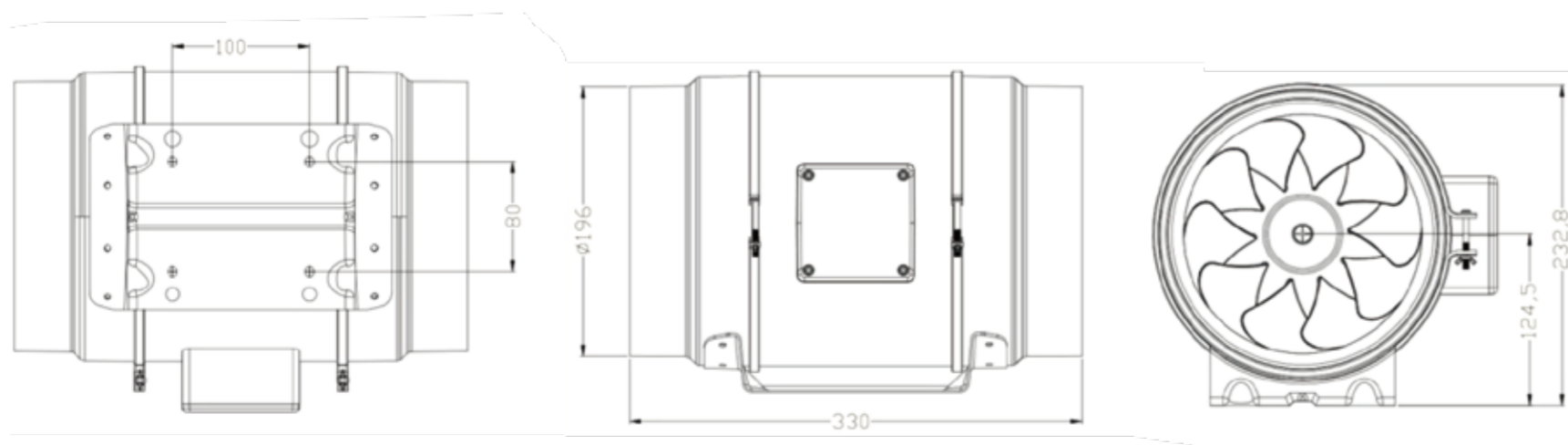


Technical Specifications

| | | | |
|-------------------------------|------------------|--------------------------|-------------------------------|
| Model | LWDE-200S-PWY-01 | N.W | 2.9kg |
| Air Flow Duct Diameter | 196mm | Package Data | 360mm×300mm×280mm |
| G.W | 3.7kg | Voltage | AC110-240V |
| Frequency | 50/60Hz | Power | 70W |
| Fan Speed | 2000RPM | Air Flow | 553CFM |
| Noise Level | 42dB-A | Power Pinput Wire | 3Core×0.75 ² ×1.5M |
| Control Wire Length | 2.5m | Speed Control | Out-side Control box |

Technical Specifications

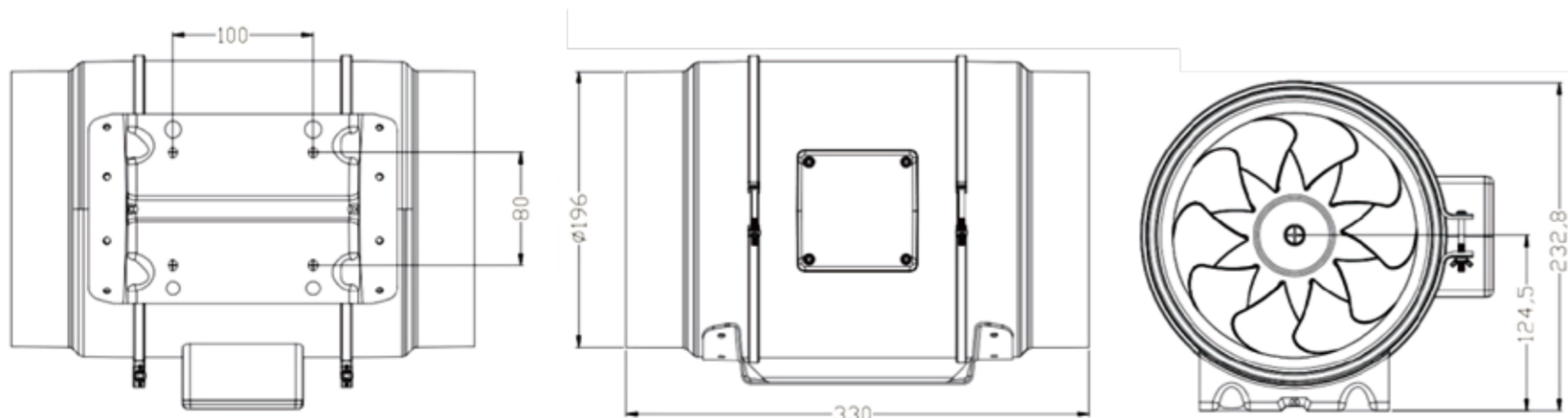
| | | | |
|-------------------------------|------------------|--------------------------|-------------------------------|
| Model | LWDE-200S-PWY-02 | N.W | 2.9kg |
| Air Flow Duct Diameter | 196mm | Package Data | 360mm×300mm×280mm |
| G.W | 3.7kg | Voltage | AC110-240V |
| Frequency | 50/60Hz | Power | 170W |
| Fan Speed | 3000RPM | Air Flow | 830CFM |
| Noise Level | 51dB-A | Power Pinput Wire | 3Core×0.75 ² ×1.5M |
| Control Wire Length | 2.5m | Speed Control | Out-side Control box |





Technical Specifications

| | | | |
|-------------------------------|------------------|--------------------------|---|
| Model | LWDE-200S-PWY-03 | N.W | 2.9kg |
| Air Flow Duct Diameter | 196mm | Package Data | 360mm×300mm×280mm |
| G.W | 3.7kg | Voltage | AC110-240V |
| Frequency | 50/60Hz | Power | 70W |
| Fan Speed | 2000RPM | Air Flow | 553CFM |
| Noise Level | 42dB-A | Power Pinput Wire | 3Core×0.75 ² ×1.5M |
| Control Wire Length | 2.5m | Speed Control | Out-side speed control box with temperature & humidity function Speed control/Timer/Alarm Function |



Technical Specifications

| | | | |
|-------------------------------|------------------|--------------------------|---|
| Model | LWDE-200S-PWY-04 | N.W | 2.9kg |
| Air Flow Duct Diameter | 196mm | Package Data | 360mm×300mm×280mm |
| G.W | 3.7kg | Voltage | AC110-240V |
| Frequency | 50/60Hz | Power | 170W |
| Fan Speed | 3000RPM | Air Flow | 830CFM |
| Noise Level | 51dB-A | Power Pinput Wire | 3Core×0.75 ² ×1.5M |
| Control Wire Length | 2.5m | Speed Control | Out-side speed control box with temperature & humidity function Speed control/Timer/Alarm Function |

