

Delivery Premium Quality Fans Globally for Healthier Breathing

World's Largest Selection of Fan Products  
World's Most Comprehensive Fan Solutions



Ningbo Longwell Electric Technology Co., Ltd

Headquarter: NO.100, South of Xuxiang River, Yuyao, Zhejiang Province, China 315400

Tell: +86 574 6218 9863

Fax: +86 574 6218 9863

Phone: 0086 183 5827 4663

Web: [www.longwellfans.com](http://www.longwellfans.com) | [www.longwell-group.com](http://www.longwell-group.com) | [www.longwell-media.com](http://www.longwell-media.com)

Email: [sales@zjlongwell.com](mailto:sales@zjlongwell.com)



## LONGWELL TECHNOLOGY

"Born for High-Quality Breathing  
LONGWELL Fans Power Your Equipments"

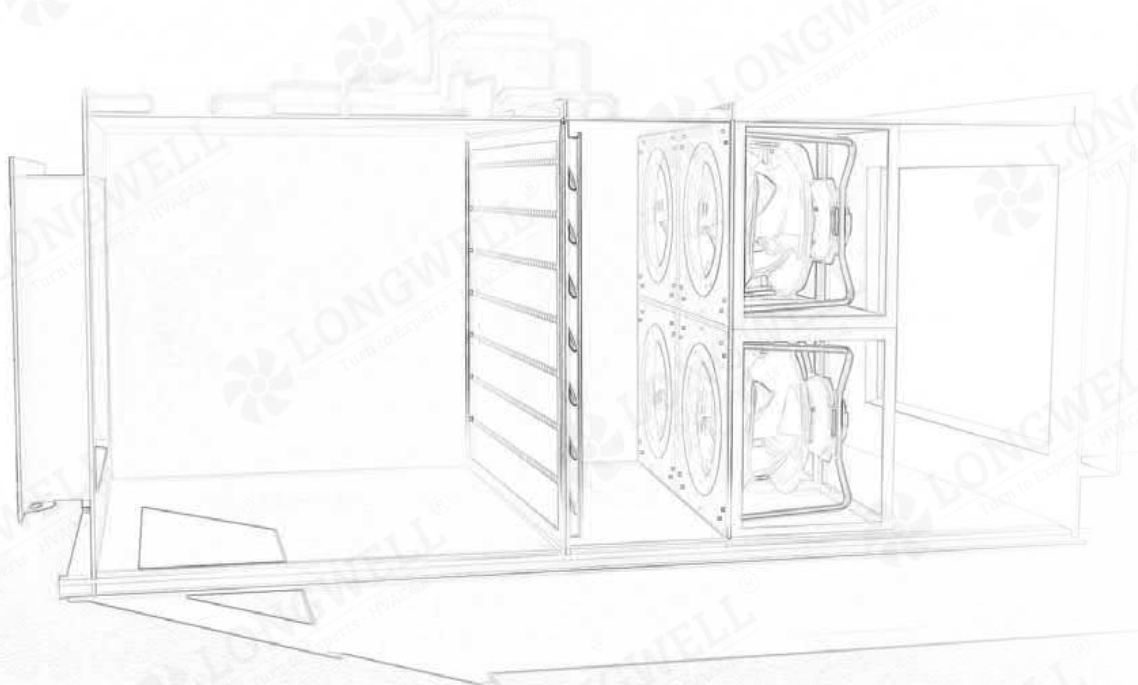


**Professional Manufacturer  
of HVACR Fan & Motors**

— AC Backward curved Centrifugal Fan

**Longwell Group**

Longwell-China  
Longwell-USA  
Longwell-Russia  
Longwell-Europe



# CATALOGUE

01-02	About Longwell	-----
03-04	Testing and Standards	-----
05-06	Mainly Application	-----
07	Type Code	-----
08-40	AC Backward curved Centrifugal Fan(Φ133-Φ280)	-----
41-75	AC Backward curved Centrifugal Fan(Φ315-Φ630)	-----

# About Longwell

Born for High-Quality Breathing, LONGWELL Fans Power Your Equipment

OEM for Well-Known Brands

Supplies Fortune 500 Companies

Global Technical Support

LONGWELL is a leading fan manufacturer, specializing in high-quality fans, blowers, motors, and components for heating, ventilation, air conditioning, and refrigeration applications. We have a strong presence in delivery capabilities, design and R&D capabilities, as well as manufacturing, placing us at the forefront of the industry.

Our product range includes EC/DC/AC centrifugal fans, axial fans, AC/BLDC cross-flow fans, single/double forward curved fans, AC/BLDC/ECM motors, and industrial fan blowers. Since our establishment in 1990, we have continuously upgraded our facilities and production capacity, boasting advanced testing labs and production facilities with an annual capacity of millions of fans. With over 20 years of experience, we are highly skilled in the design, development, and manufacture of fans and motors. We export to over 30 countries and serve numerous Fortune 500 clients.

Our facilities and products are compliant with certifications such as ISO9001, ISO14001, BSCI, CE, UL/ETL, CCC, EMC, and LVD. These certifications demonstrate our compliance in quality management, environmental management, social responsibility, and product safety. We are quality-oriented and dedicated to providing products and services that meet international standards.



Equipped with advanced testing labs and production facilities, including a B&K noise lab, CFD simulation lab, air dynamics test chambers, automatic welding machines, CNC machining centers, and auto robot injection machines, we ensure efficient production and on-time delivery.

As industry leaders, we prioritize technological innovation and efficiency. We employ advanced technologies such as aerodynamics principles and CFD simulation to ensure precise and efficient fan designs. Additionally, we offer customized services to design and manufacture fan systems according to specific customer requirements. Our focus is on providing high-tech, high-efficiency products that meet our customers' needs and contribute to a better future.

At LONGWELL, innovation is at the core of our operations, driving continuous improvement. With our extensive experience and expertise, we can quickly customize solutions that meet customer needs. We emphasize technological sophistication, utilizing advanced technologies and high-performance materials to deliver products that are efficient, safe, and reliable. Our brand is widely recognized globally, and we are committed to promoting sustainable development and advancing the efficient fan industry.

LONGWELL looks forward to collaborating with you and providing high-quality customized fan and motor solutions. Please feel free to contact us as we work together to create a brighter future.



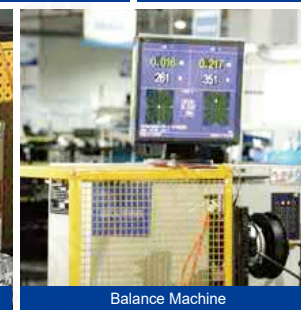
B&K Noise Testing Lab



Production Line



Automatic Welding



Balance Machine



Automatic Welding Machine



Production Line - Centrifugal Fan



Automatic CNC machine



Air Dynamic Test Lab



Production Line - Axial Fans



Production Line

193

Staff

40000m<sup>2</sup>

Floor Space

500<sup>+</sup>

Branding Clients

1Million<sup>+</sup> PCS

Annual Outputs

6

Overseas offices on spot support

50<sup>+</sup>

Members R&D Team

# Testing and Standards

- ISO GB/T 19001-2016 idt ISO 9001:2015/GB/T 24001-2016 idt ISO 14001:2015/GB/T 45001-2020 idt ISO 45001:2018
- UL 507:2017 Ed.10+R:27/CSA C22.2#113:2018 Ed.11
- BSCI ANSI C63.4:2014/ANSI C63.4a-2017
- EN IEC 55014-1:2021/EN IEC 55014-2:2021/EN IEC 61000-3-2:2019 +A1:2021  
EN 61000-3-3:2013 +A1:2019 +A2:2021 +AC:2022-01  
EN 60335-2-80:2003 +A1:2004 +A2:2009;  
EN 60335-1:2012 +A11:2014 +A13:2017 +A1:2019+A14:2019 +A2:2019+A15:2021  
EN 62321-1:2013/EN 62321-2:2014/EN 62321-3-1:2014  
EN 62321-4:2014+A1:2017/EN 62321-5:2014/EN 62321-6:2015  
EN 62321-7-1:2015/EN 62321-7-2:2017/EN 62321-8:2017

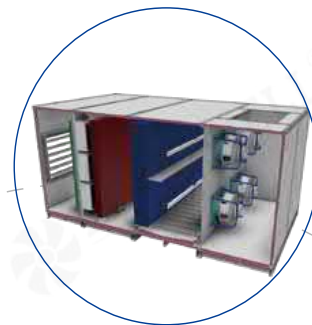


Enterprise Credit Evaluation Certificate - Highest Level in China

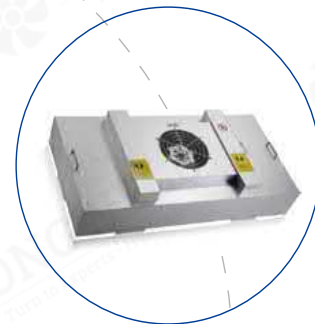


# Mainly Application

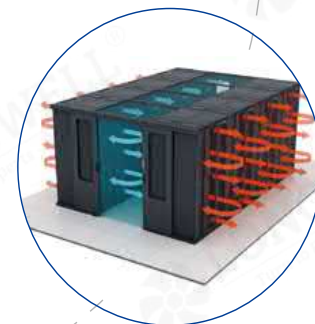
AHU/FCU/FFU/Air Purifier/ Sterilization Equipments/  
Humidiifier equipments/EC Fan Grid ( Wall )



**Ventilation Unit Project**



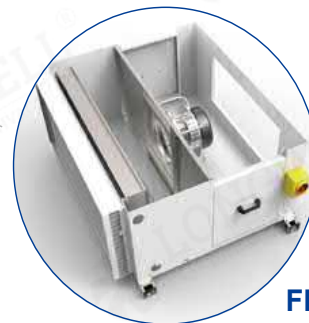
**FFU(Fan Filter Unit) Project**



**Data Center Cooling Project**



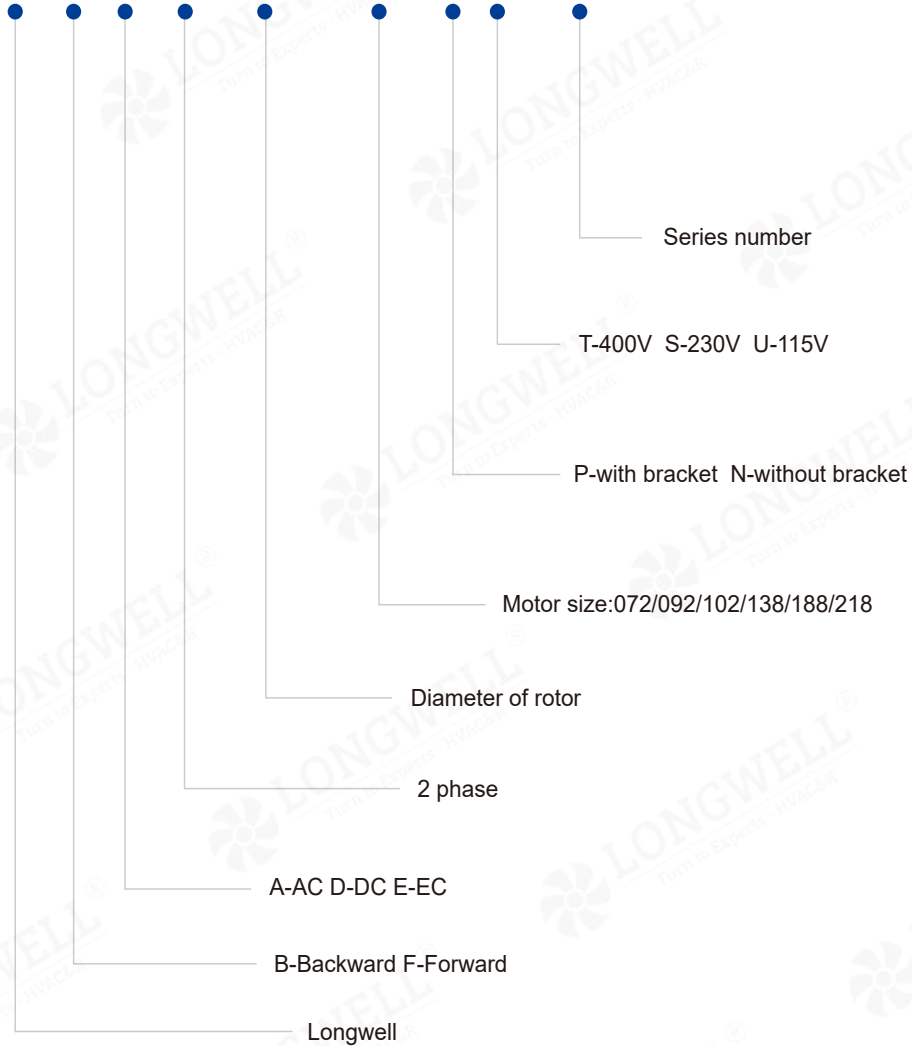
**Ventilation Equipments Project**



**FFU(Fan Filter Unit) Project**

# Type Code

LW B A 2E 133 - 072 N S - 01

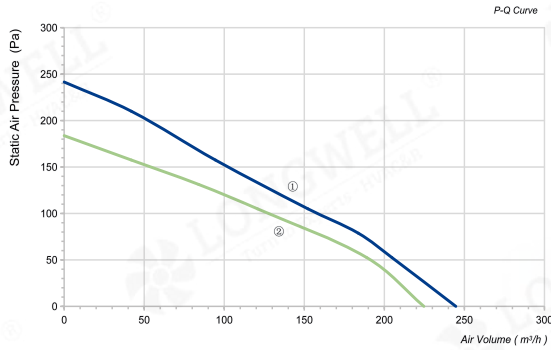


## AC Backward curved Centrifugal Fan

Professional HVAC Fan & Motors Manufacturer



## LWBA-133 Series



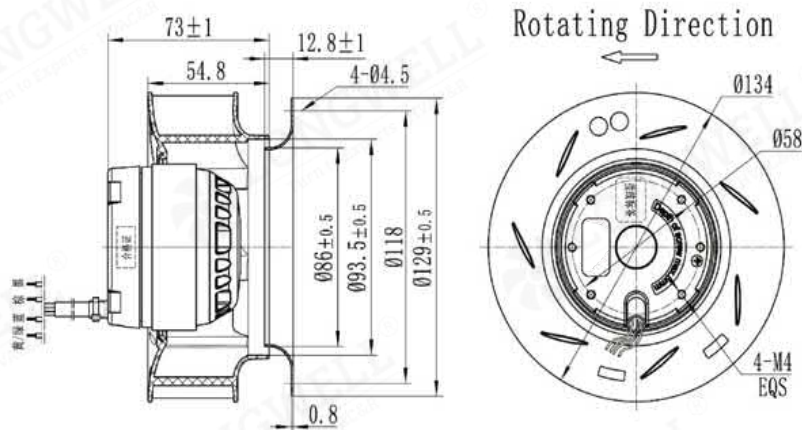
### Product Characteristic

- Impeller Material: Plastic PA66
- Direction of Rotation: Clockwise, seen on rotor
- Mode of Operation: S1
- Operation Temperature: -40°C ~ +65°C
- Type of Protection: IP44
- Insulation Class: F
- Bearing: Maintenance-free ball bearings

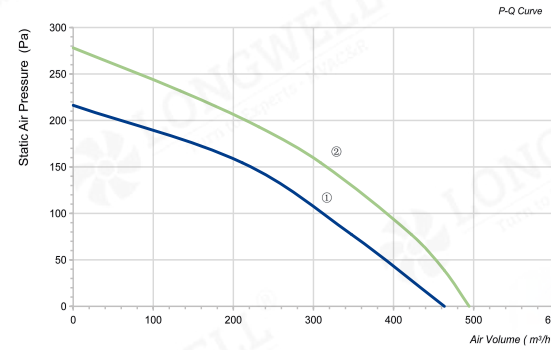


### Technical Specifications

Model	Voltage (V)	Frequency (Hz)	Power (W)	Current (A)	Speed (RPM)	Air Flow (m³/h)	Air Pressure (Pa)	Noise [dB(A)]	Capacitor	Curve
LWBA2E133-072NS-01	230	60	33.2	0.14	3070	245	242	58.7	1uF	①
LWBA2E133-072NS-02	230	50	27.8	0.12	2720	225	184	57.9	1uF	②



## LWBA-155 Series



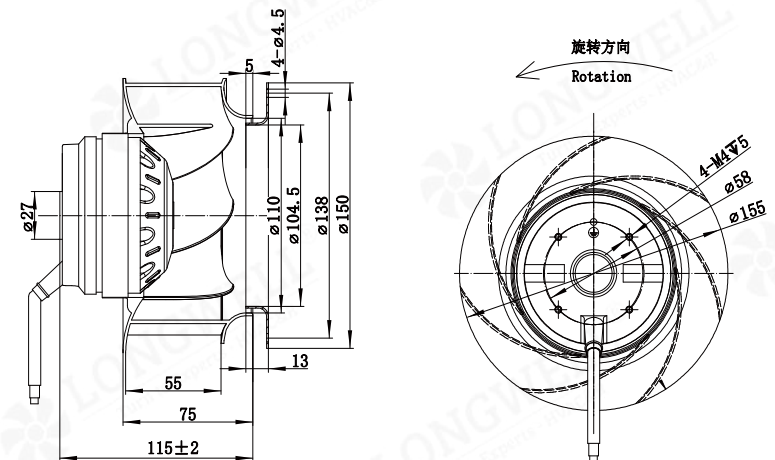
### Product Characteristic

- Impeller Material: Plastic PA66
- Direction of Rotation: Clockwise, seen on rotor
- Mode of Operation: S1
- Operation Temperature: -40°C ~ +65°C
- Type of Protection: IP44
- Insulation Class: F
- Bearing: Maintenance-free ball bearings

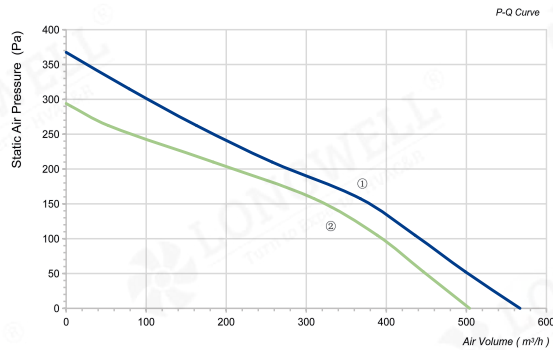


### Technical Specifications

Model	Voltage (V)	Frequency (Hz)	Power (W)	Current (A)	Speed (RPM)	Air Flow (m³/h)	Air Pressure (Pa)	Noise [dB(A)]	Capacitor	Curve
LWBA2E155-092NS-01	230	50	32	0.24	2650	464	216	61	1uF	①
LWBA2E155-092NS-02	230	60	38	0.32	3000	494	278	64	1uF	②



# LWBA-175 Series



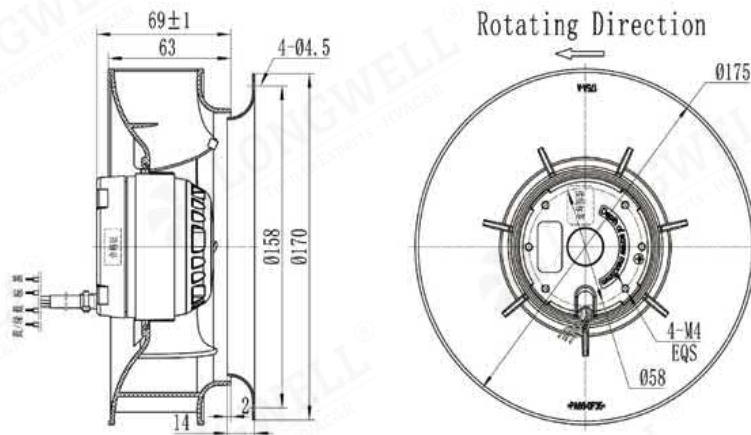
## Product Characteristic

- Impeller Material: Plastic PA66
- Direction of Rotation: Clockwise, seen on rotor
- Mode of Operation: S1
- Operation Temperature: -40°C ~ +65°C
- Type of Protection: IP44
- Insulation Class: F
- Bearing: Maintenance-free ball bearings

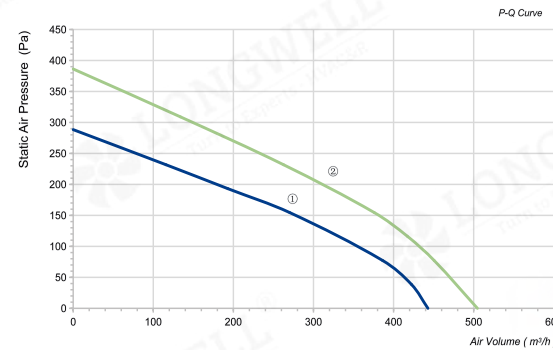


## Technical Specifications

Model	Voltage (V)	Frequency (Hz)	Power (W)	Current (A)	Speed (RPM)	Air Flow (m³/h)	Air Pressure (Pa)	Noise [dB(A)]	Capacitor	Curve
LWBA2E175-072NU-01	115	60	46.1	0.42	3060	567	368	61.1	6uF	①
LWBA2E175-072NS-02	230	50	35.5	0.15	2770	504	294	60.8	5uF	②



# LWBA-175 Series



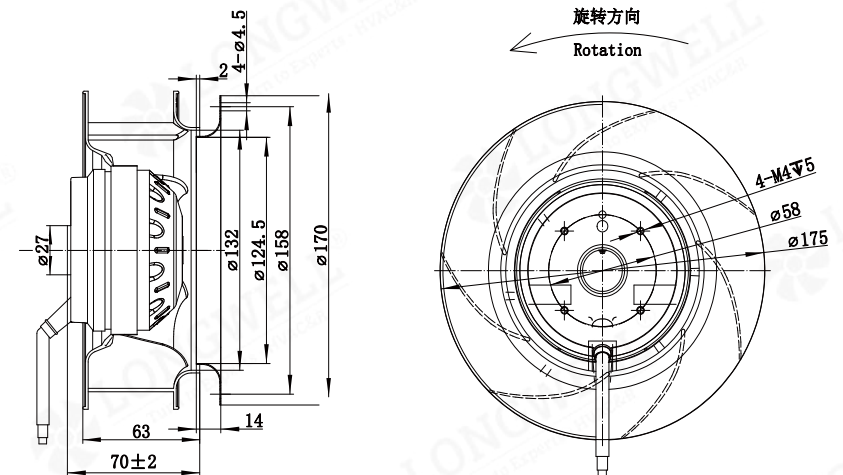
## Product Characteristic

- Impeller Material: Plastic PA66
- Direction of Rotation: Clockwise, seen on rotor
- Mode of Operation: S1
- Operation Temperature: -40°C ~ +65°C
- Type of Protection: IP44
- Insulation Class: F
- Bearing: Maintenance-free ball bearings

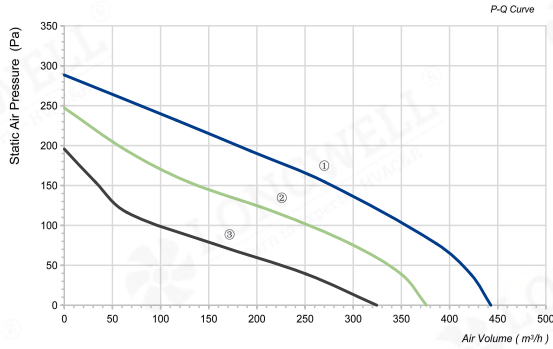


## Technical Specifications

Model	Voltage (V)	Frequency (Hz)	Power (W)	Current (A)	Speed (RPM)	Air Flow (m³/h)	Air Pressure (Pa)	Noise [dB(A)]	Capacitor	Curve
LWBA2E175-092NS-03	230	50	52	0.24	2500	443	288	64	1.5uF	①
LWBA2E175-092NS-04	230	60	66	0.32	2700	505	386	66	1.5uF	②



## LWBA-175 Series



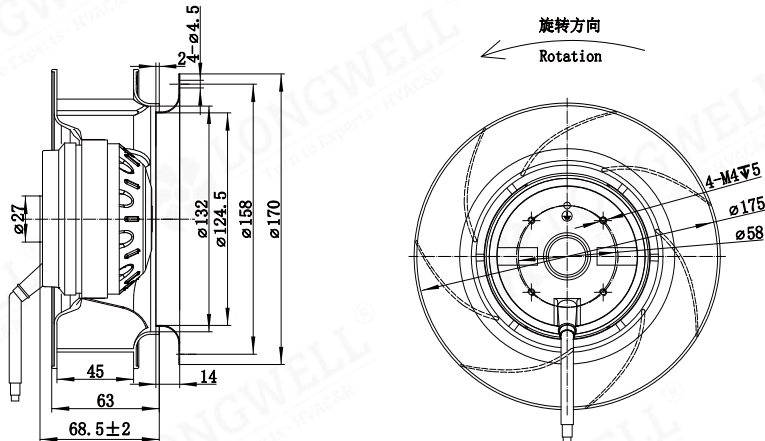
### Product Characteristic

- Impeller Material: Plastic PA66
- Direction of Rotation: Clockwise, seen on rotor
- Mode of Operation: S1
- Operation Temperature: -40°C ~ +65°C
- Type of Protection: IP44
- Insulation Class: F
- Bearing: Maintenance-free ball bearings

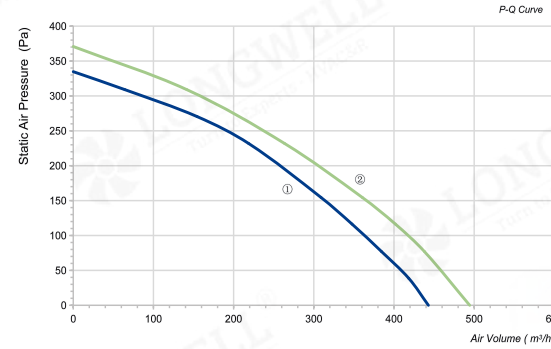


### Technical Specifications

Model	Voltage (V)	Frequency (Hz)	Power (W)	Current (A)	Speed (RPM)	Air Flow (m³/h)	Air Pressure (Pa)	Noise [dB(A)]	Capacitor	Curve
			52	0.25	2530	443	288	64	1.5uF	①
LWBA2E175-092NS-05	230	50	45	0.2	2150	376	247	60	1.5uF	②
			42	0.18	1850	324	196	55	1.5uF	③



## LWBA-180 Series



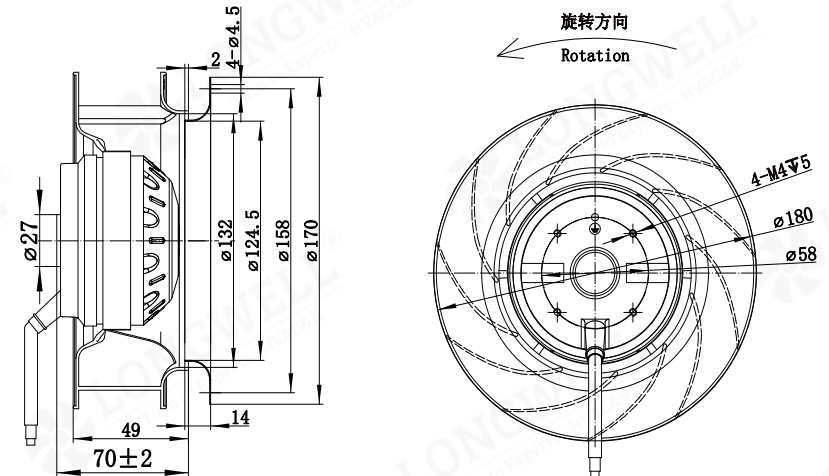
### Product Characteristic

- Impeller Material: Plastic PA66
- Direction of Rotation: Clockwise, seen on rotor
- Mode of Operation: S1
- Operation Temperature: -40°C ~ +65°C
- Type of Protection: IP44
- Insulation Class: F
- Bearing: Maintenance-free ball bearings

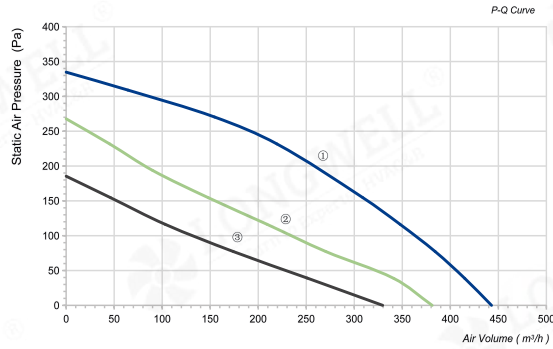


### Technical Specifications

Model	Voltage (V)	Frequency (Hz)	Power (W)	Current (A)	Speed (RPM)	Air Flow (m³/h)	Air Pressure (Pa)	Noise [dB(A)]	Capacitor	Curve
LWBA2E180-092NS-01	230	50	52	0.24	2550	443	335	63	1.5uF	①
LWBA2E180-092NS-02	230	60	66	0.32	2850	494	371	66	1.5uF	②



## LWBA-180 Series



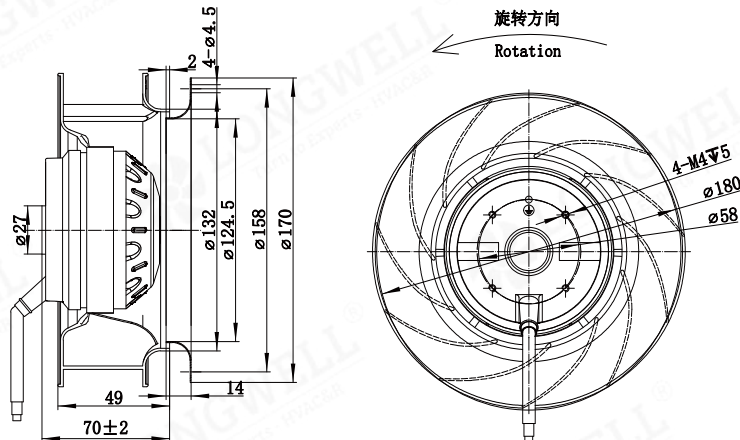
### Product Characteristic

- Impeller Material: Plastic PA66
- Direction of Rotation: Clockwise, seen on rotor
- Mode of Operation: S1
- Operation Temperature: -40°C ~ +65°C
- Type of Protection: IP44
- Insulation Class: F
- Bearing: Maintenance-free ball bearings

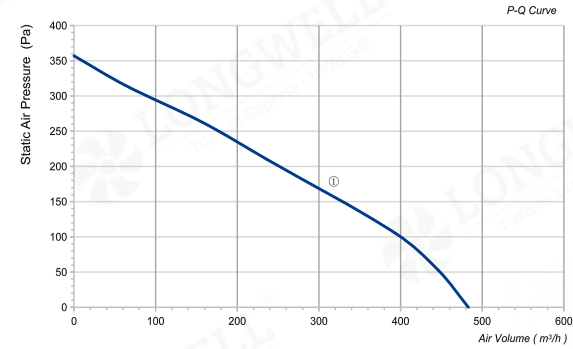


### Technical Specifications

Model	Voltage (V)	Frequency (Hz)	Power (W)	Current (A)	Speed (RPM)	Air Flow (m³/h)	Air Pressure (Pa)	Noise [dB(A)]	Capacitor	Curve
			52	0.23	2560	443	335	63	1.5uF	①
LWBA2E180-092NS-03	230	50	42	0.19	2200	381	268	59	1.5uF	②
			40	0.18	1900	330	185	55	1.5uF	③



## LWBA-190 Series



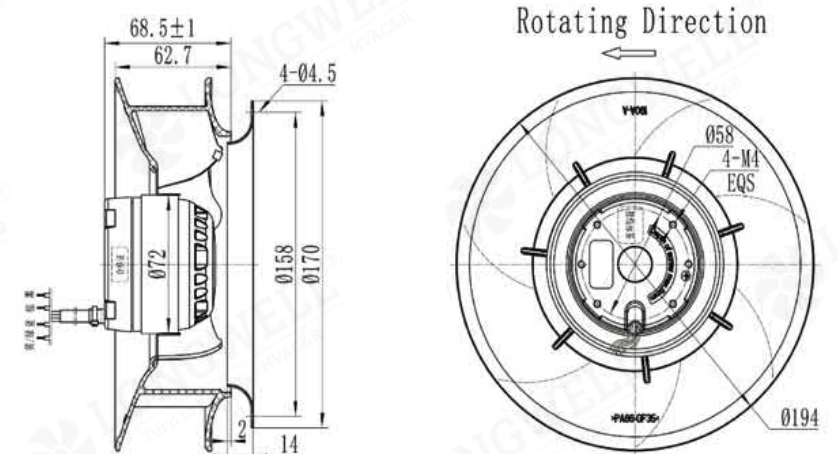
### Product Characteristic

- Impeller Material: Plastic PA66
- Direction of Rotation: Clockwise, seen on rotor
- Mode of Operation: S1
- Operation Temperature: -40°C ~ +65°C
- Type of Protection: IP44
- Insulation Class: F
- Bearing: Maintenance-free ball bearings

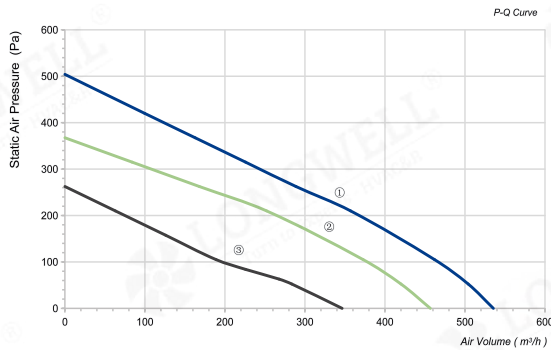


### Technical Specifications

Model	Voltage (V)	Frequency (Hz)	Power (W)	Current (A)	Speed (RPM)	Air Flow (m³/h)	Air Pressure (Pa)	Noise [dB(A)]	Capacitor	Curve
LWBA2E190-072NS-01	230	50	56	0.25	2640	483	357	64.9	2uF	①



# LWBA-190 Series



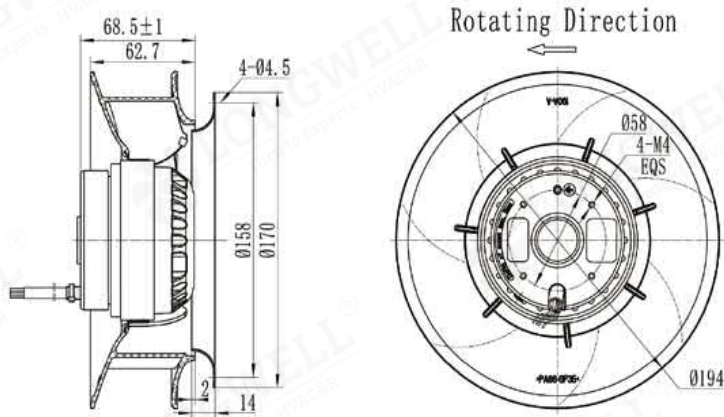
## Product Characteristic

- Impeller Material: Plastic PA66
- Direction of Rotation: Clockwise, seen on rotor
- Mode of Operation: S1
- Operation Temperature: -40°C ~ +65°C
- Type of Protection: IP44
- Insulation Class: F
- Bearing: Maintenance-free ball bearings

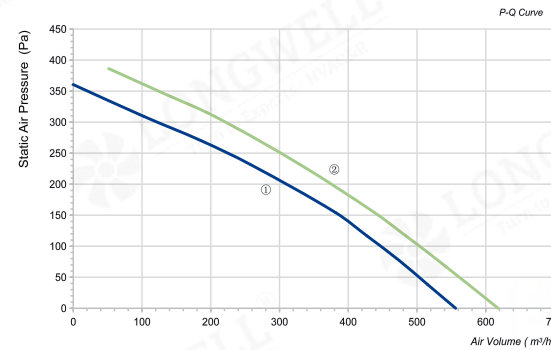


## Technical Specifications

Model	Voltage (V)	Frequency (Hz)	Power (W)	Current (A)	Speed (RPM)	Air Flow (m³/h)	Air Pressure (Pa)	Noise [dB(A)]	Capacitor	Curve
LWBA2E190-092NU-02	115	60	70	0.31	3080	536	504	68.5	8uF	①
LWBA2E190-092NS-03	230	50	60	0.27	2700	457	368	65.2	2.5uF	②
LWBA4E190-092NS-04	230	50	30	0.14	2100	347	263	58.2	1.5uF	③



# LWBA-190 Series



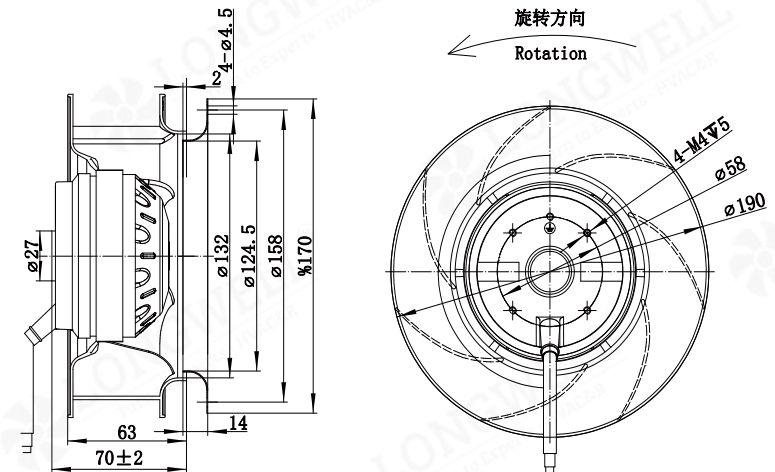
## Product Characteristic

- Impeller Material: Plastic PA66
- Direction of Rotation: Clockwise, seen on rotor
- Mode of Operation: S1
- Operation Temperature: -40°C ~ +65°C
- Type of Protection: IP44
- Insulation Class: F
- Bearing: Maintenance-free ball bearings

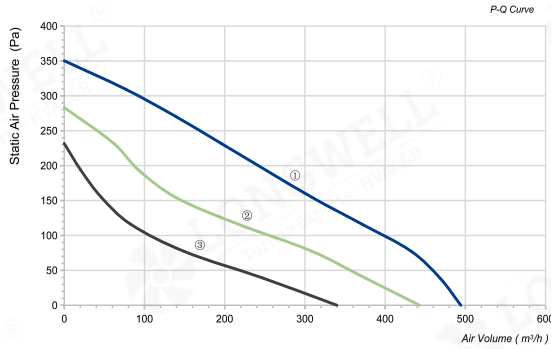


## Technical Specifications

Model	Voltage (V)	Frequency (Hz)	Power (W)	Current (A)	Speed (RPM)	Air Flow (m³/h)	Air Pressure (Pa)	Noise [dB(A)]	Capacitor	Curve
LWBA4E190-092NS-05	230	50	60	0.27	2500	556	361	65	2uF	①
LWBA4E190-092NS-06	230	60	76	0.35	2700	618	386	68	2uF	②



## LWBA-190 Series



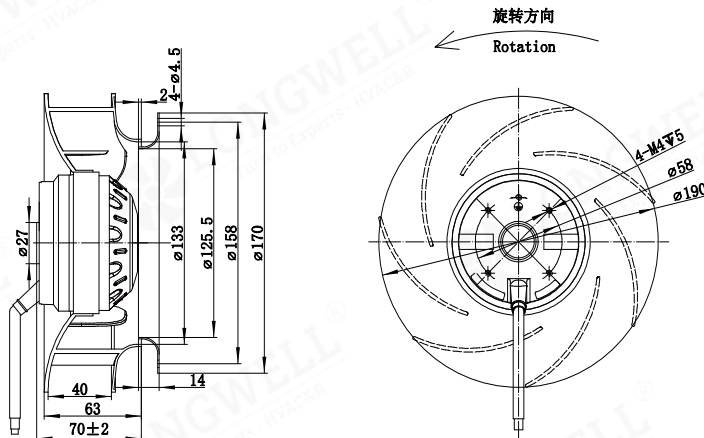
### Product Characteristic

- Impeller Material: Plastic PA66
- Direction of Rotation: Clockwise, seen on rotor
- Mode of Operation: S1
- Operation Temperature: -40°C ~ +65°C
- Type of Protection: IP44
- Insulation Class: F
- Bearing: Maintenance-free ball bearings

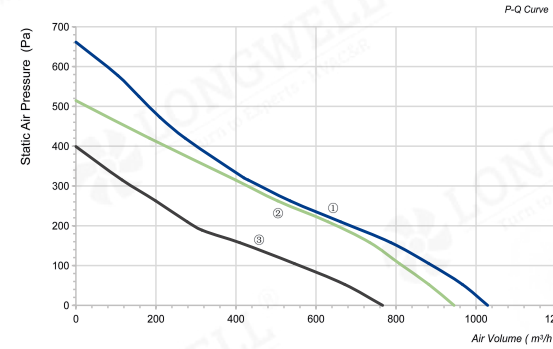


### Technical Specifications

Model	Voltage (V)	Frequency (Hz)	Power (W)	Current (A)	Speed (RPM)	Air Flow (m³/h)	Air Pressure (Pa)	Noise [dB(A)]	Capacitor	Curve
			60	0.28	2500	494	350	65	2uF	①
LWBA4E190-092NS-07	230	50	48	0.23	2000	443	283	60	2uF	②
			45	0.22	1650	340	232	54	2uF	③



## LWBA-220 Series



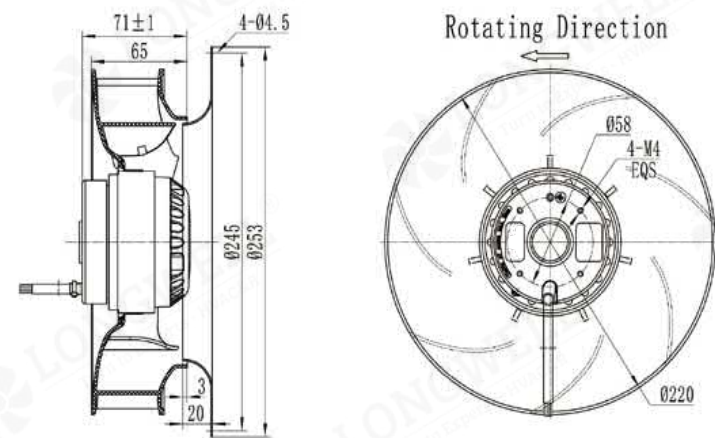
### Product Characteristic

- Impeller Material: Plastic PA66
- Direction of Rotation: Clockwise, seen on rotor
- Mode of Operation: S1
- Operation Temperature: -40°C ~ +65°C
- Type of Protection: IP44
- Insulation Class: F
- Bearing: Maintenance-free ball bearings

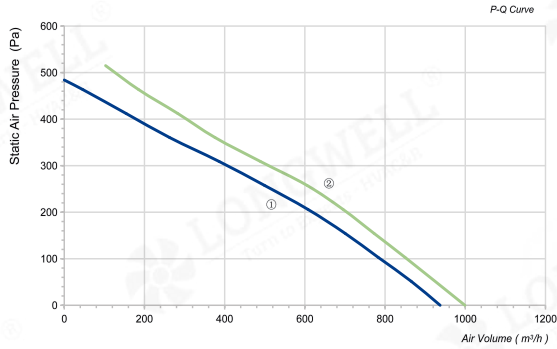


### Technical Specifications

Model	Voltage (V)	Frequency (Hz)	Power (W)	Current (A)	Speed (RPM)	Air Flow (m³/h)	Air Pressure (Pa)	Noise [dB(A)]	Capacitor	Curve
LWBA2E220-092NS-01	230	60	129	0.56	2780	1029	662	67.1	3uF	①
LWBA2E220-092NS-02	230	50	101	0.44	2530	945	515	66.6	3uF	②
LWBA4E220-092NS-03	230	50	64	0.29	2180	767	399	62.2	2.5uF	③



# LWBA-220 Series



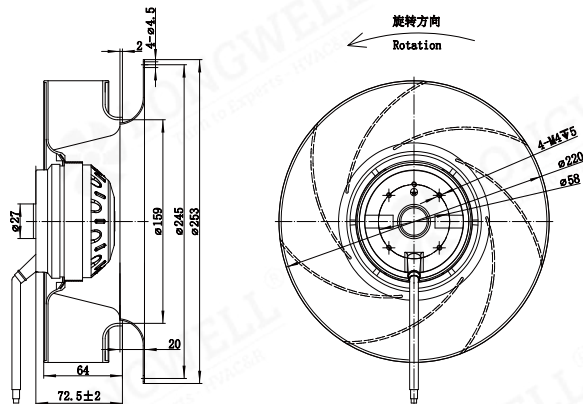
## Product Characteristic

- Impeller Material: Plastic PA66
- Direction of Rotation: Clockwise, seen on rotor
- Mode of Operation: S1
- Operation Temperature: -40°C ~ +65°C
- Type of Protection: IP44
- Insulation Class: F
- Bearing: Maintenance-free ball bearings

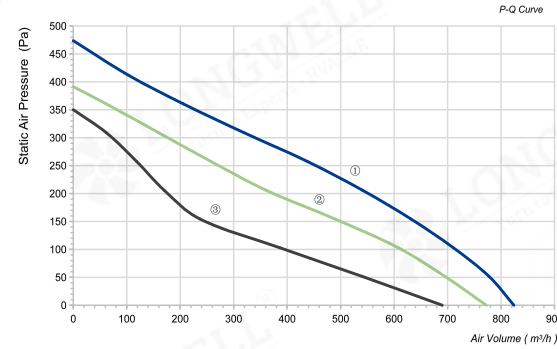


## Technical Specifications

Model	Voltage (V)	Frequency (Hz)	Power (W)	Current (A)	Speed (RPM)	Air Flow (m³/h)	Air Pressure (Pa)	Noise [dB(A)]	Capacitor	Curve
LWBA2E220-092NS-04	230	50	90	0.41	2500	937	484	70	2.5uF	①
LWBA2E220-092NS-05	230	60	100	0.46	2700	999	515	73	2.5uF	②
LWBA2D220-092NT-06	380	50	85	0.17	2500	937	484	70	/	①
LWBA2D220-092NT-07	380	60	100	0.2	2700	999	515	73	/	②



# LWBA-220 Series



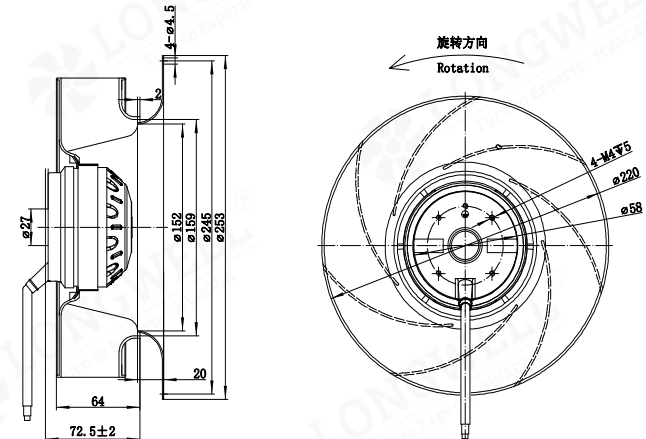
## Product Characteristic

- Impeller Material: Plastic PA66
- Direction of Rotation: Clockwise, seen on rotor
- Mode of Operation: S1
- Operation Temperature: -40°C ~ +65°C
- Type of Protection: IP44
- Insulation Class: F
- Bearing: Maintenance-free ball bearings

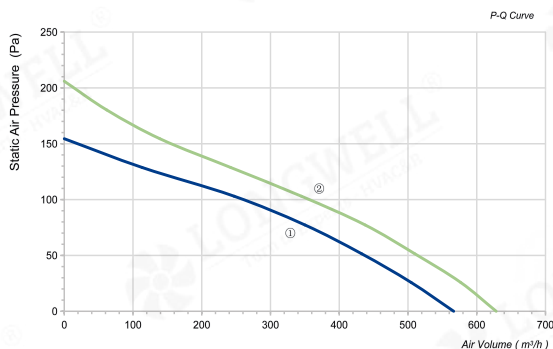


## Technical Specifications

Model	Voltage (V)	Frequency (Hz)	Power (W)	Current (A)	Speed (RPM)	Air Flow (m³/h)	Air Pressure (Pa)	Noise [dB(A)]	Capacitor	Curve
LWBA2E220-092NS-04	230	50	95	0.44	2500	824	474	70	2.5uF	①
LWBA2E220-092NS-05	230	60	100	0.46	2700	888	505	73	2.5uF	②
LWBA2D220-092NT-06	380	50	85	0.17	2500	824	474	70	/	①
LWBA2D220-092NT-07	380	60	100	0.2	2700	888	505	73	/	②



## LWBA-220 Series



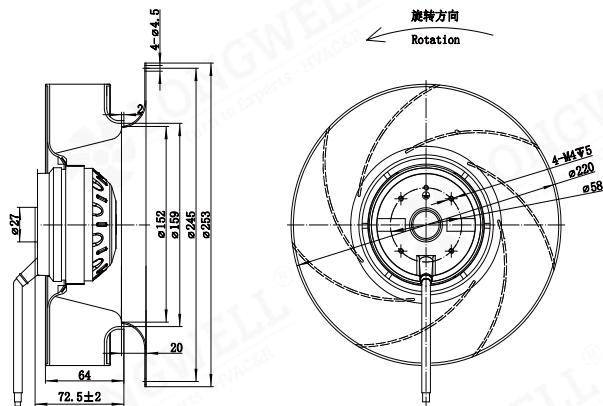
### Product Characteristic

- Impeller Material: Plastic PA66
- Direction of Rotation: Clockwise, seen on rotor
- Mode of Operation: S1
- Operation Temperature: -40°C ~ +65°C
- Type of Protection: IP44
- Insulation Class: F
- Bearing: Maintenance-free ball bearings

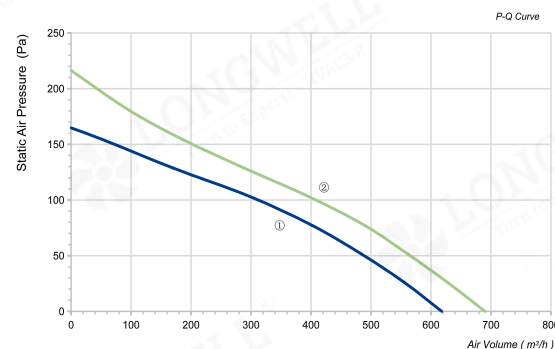


### Technical Specifications

Model	Voltage (V)	Frequency (Hz)	Power (W)	Current (A)	Speed (RPM)	Air Flow (m³/h)	Air Pressure (Pa)	Noise [dB(A)]	Capacitor	Curve
LWBA4E220-092NS-09	230	50	40	0.23	1420	567	155	52	1.5uF	①
LWBA4E220-092NS-10	230	60	41	0.19	1650	628	206	58	1.5uF	②
LWBA4D220-092NT-11	380	50	38	0.08	1400	567	155	52	/	①
LWBA4D220-092NT-12	380	60	41	0.1	1650	628	206	58	/	②



## LWBA-225 Series



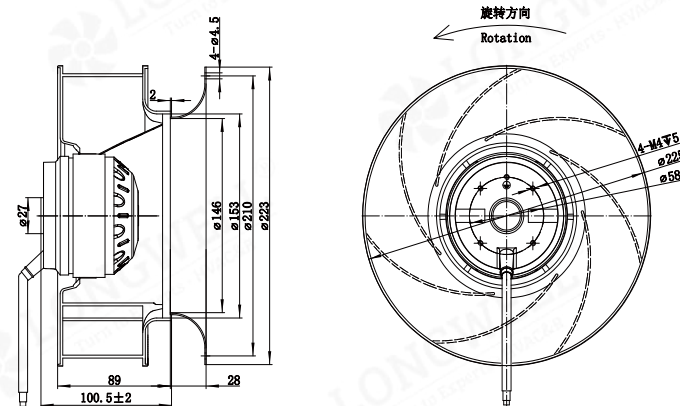
### Product Characteristic

- Impeller Material: Plastic PA66
- Direction of Rotation: Clockwise, seen on rotor
- Mode of Operation: S1
- Operation Temperature: -40°C ~ +65°C
- Type of Protection: IP44
- Insulation Class: F
- Bearing: Maintenance-free ball bearings

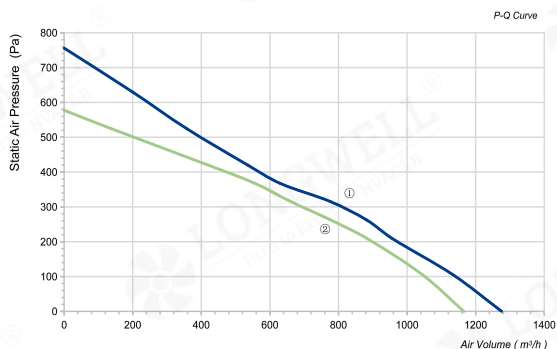


### Technical Specifications

Model	Voltage (V)	Frequency (Hz)	Power (W)	Current (A)	Speed (RPM)	Air Flow (m³/h)	Air Pressure (Pa)	Noise [dB(A)]	Capacitor	Curve
LWBA2E225-092NS-01	230	50	45	0.21	1420	618	165	54	1.5uF	①
LWBA4E225-092NS-02	230	60	47	0.2	1650	690	216	60	1.5uF	②
LWBA2D225-092NT-03	380	50	45	0.13	1420	618	165	54	/	①
LWBA4D225-092NT-04	380	60	47	0.13	1650	690	216	60	/	②



## LWBA-225 Series



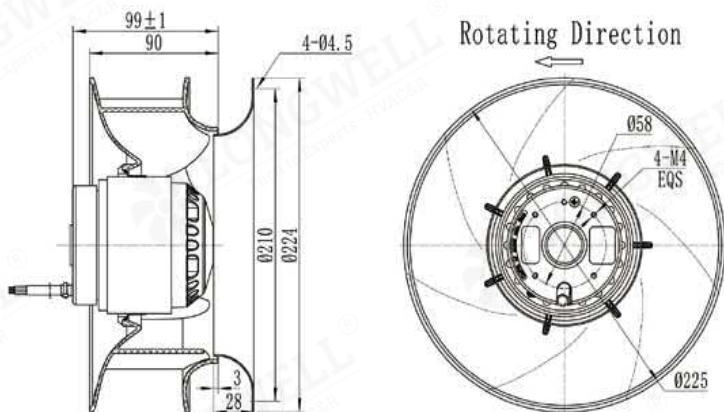
### Product Characteristic

- Impeller Material: Plastic PA66
- Direction of Rotation: Clockwise, seen on rotor
- Mode of Operation: S1
- Operation Temperature: -40°C ~ +65°C
- Type of Protection: IP44
- Insulation Class: F
- Bearing: Maintenance-free ball bearings

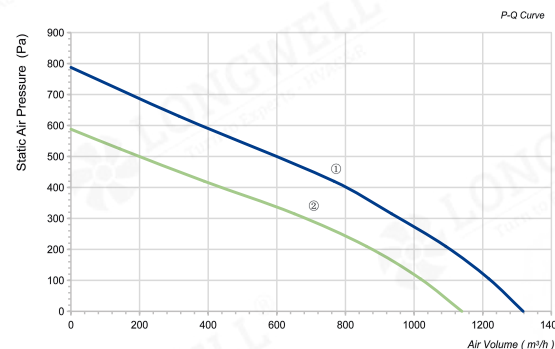


### Technical Specifications

Model	Voltage (V)	Frequency (Hz)	Power (W)	Current (A)	Speed (RPM)	Air Flow (m³/h)	Air Pressure (Pa)	Noise [dB(A)]	Capacitor	Curve
LWBA2E225-092NU-05	115	60	178	0.77	2905	1276	756	71.3	20µF	①
LWBA2E225-092NS-06	230	50	129	0.56	2655	1166	578	68.6	5µF	②



## LWBA-225 Series



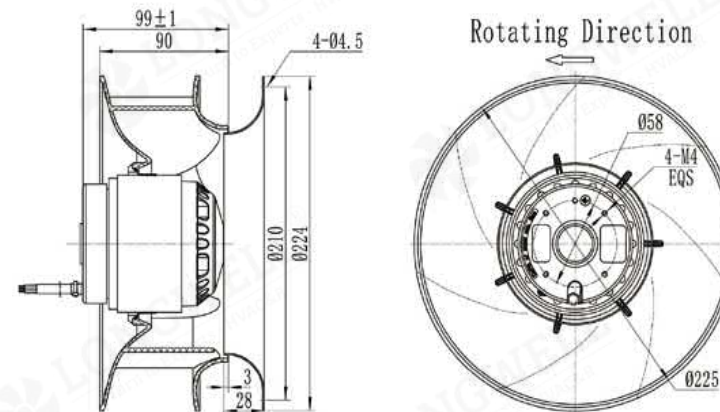
### Product Characteristic

- Impeller Material: Plastic PA66
- Direction of Rotation: Clockwise, seen on rotor
- Mode of Operation: S1
- Operation Temperature: -40°C ~ +65°C
- Type of Protection: IP44
- Insulation Class: F
- Bearing: Maintenance-free ball bearings

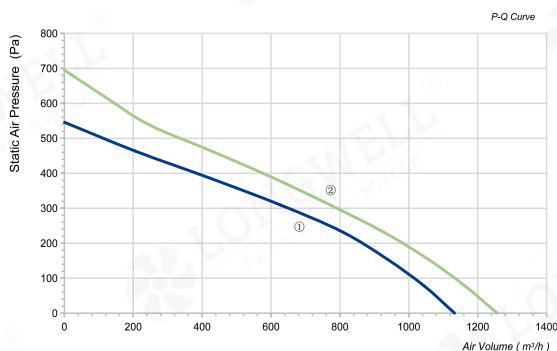


### Technical Specifications

Model	Voltage (V)	Frequency (Hz)	Power (W)	Current (A)	Speed (RPM)	Air Flow (m³/h)	Air Pressure (Pa)	Noise [dB(A)]	Capacitor	Curve
LWBA2D225-092NT-07	460	60	190	0.3	3095	1318	788	71.8	/	①
LWBA2D225-092NT-08	380	50	119	0.23	2645	1139	588	68.6	/	②



## LWBA-225 Series



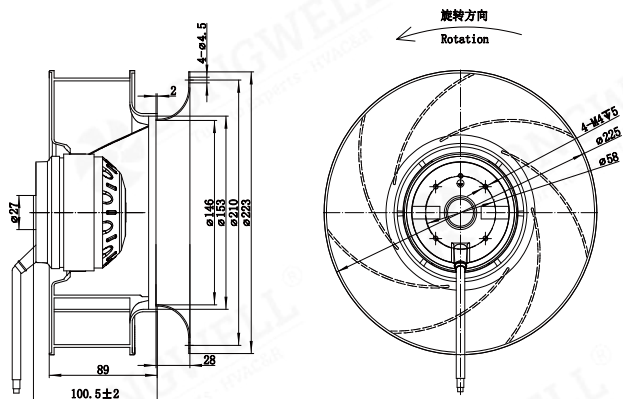
### Product Characteristic

- Impeller Material: Plastic PA66
- Direction of Rotation: Clockwise, seen on rotor
- Mode of Operation: S1
- Operation Temperature: -40°C ~ +65°C
- Type of Protection: IP44
- Insulation Class: F
- Bearing: Maintenance-free ball bearings

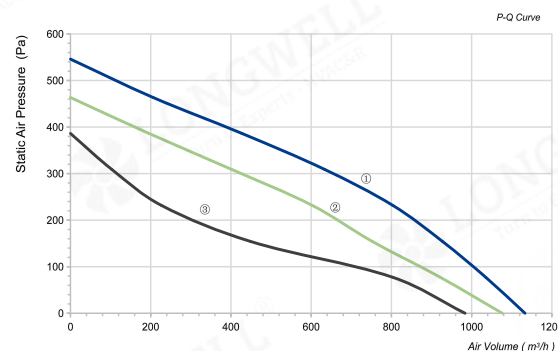


### Technical Specifications

Model	Voltage (V)	Frequency (Hz)	Power (W)	Current (A)	Speed (RPM)	Air Flow (m³/h)	Air Pressure (Pa)	Noise [dB(A)]	Capacitor	Curve
LWBA2E225-092NS-09	230	50	135	0.6	2600	1133	546	74	4uF	①
LWBA2E225-092NS-10	230	60	180	0.9	2900	1257	695	76	4uF	②
LWBA2D225-092NT-11	380	50	135	0.23	2600	1133	546	74	/	①
LWBA2D225-092NT-12	380	60	180	0.28	2900	1257	695	76	/	②



## LWBA-225 Series



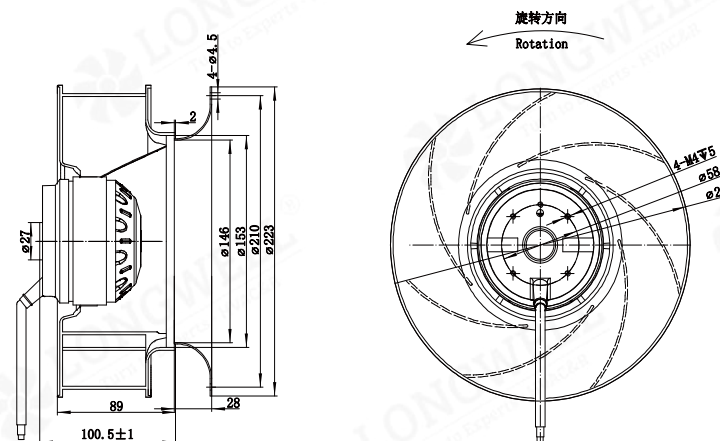
### Product Characteristic

- Impeller Material: Plastic PA66
- Direction of Rotation: Clockwise, seen on rotor
- Mode of Operation: S1
- Operation Temperature: -40°C ~ +65°C
- Type of Protection: IP44
- Insulation Class: F
- Bearing: Maintenance-free ball bearings

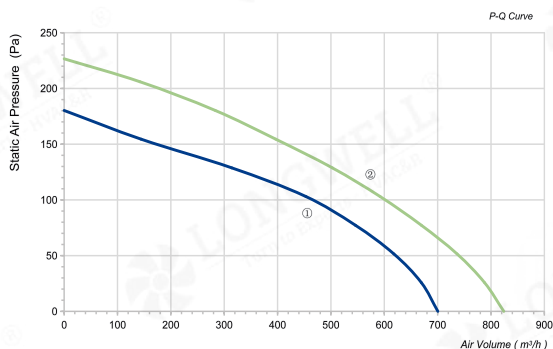


### Technical Specifications

Model	Voltage (V)	Frequency (Hz)	Power (W)	Current (A)	Speed (RPM)	Air Flow (m³/h)	Air Pressure (Pa)	Noise [dB(A)]	Capacitor	Curve
LWBA2E225-092NS-13	230	50	125	0.6	2630	1133	546	74	4uF	①
			120	0.54	2500	1076	464	70	4uF	②
			115	0.52	2290	984	386	66	4uF	③



## LWBA-250 Series



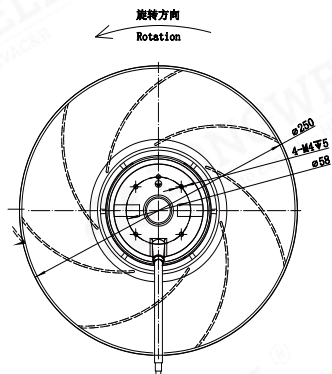
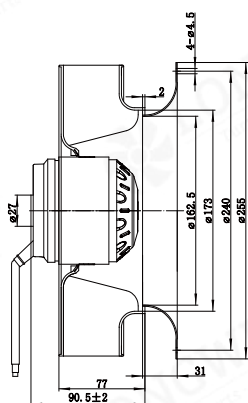
### Product Characteristic

- Impeller Material: Plastic PA66
- Direction of Rotation: Clockwise, seen on rotor
- Mode of Operation: S1
- Operation Temperature: -40°C ~ +65°C
- Type of Protection: IP44
- Insulation Class: F
- Bearing: Maintenance-free ball bearings

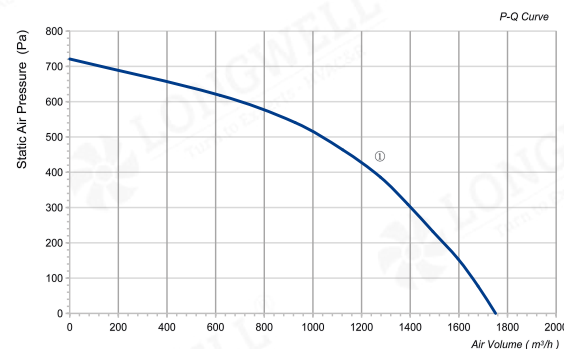


### Technical Specifications

Model	Voltage (V)	Frequency (Hz)	Power (W)	Current (A)	Speed (RPM)	Air Flow (m³/h)	Air Pressure (Pa)	Noise [dB(A)]	Capacitor	Curve
LWBA4E250-092NS-01	230	50	53	0.28	1400	700	180	61	2uF	①
LWBA4E250-092NS-02	230	60	58	0.28	1600	824	227	64	2uF	②
LWBA4D250-092NT-03	380	50	53	0.15	1400	700	180	61	/	①
LWBA4D250-092NT-04	380	60	58	0.16	1600	824	227	64	/	②



## LWBA-250 Series



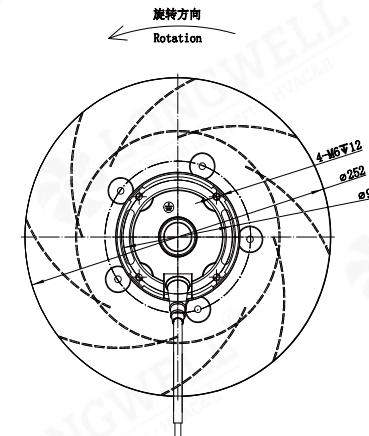
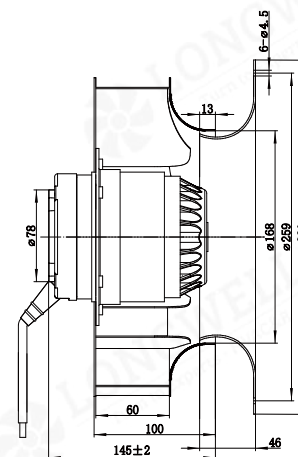
### Product Characteristic

- Impeller Material: Aluminum Alloy
- Direction of Rotation: Clockwise, seen on rotor
- Mode of Operation: S1
- Operation Temperature: -40°C ~ +65°C
- Type of Protection: IP54
- Insulation Class: F
- Bearing: Maintenance-free ball bearings

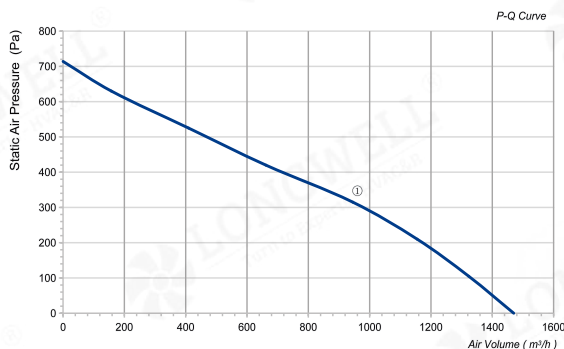


### Technical Specifications

Model	Voltage (V)	Frequency (Hz)	Power (W)	Current (A)	Speed (RPM)	Air Flow (m³/h)	Air Pressure (Pa)	Noise [dB(A)]	Capacitor	Curve
LWBA2E250-092NS-05	230	50	290	1.2	2650	1751	721	76	6uF	①
LWBA2D250-092NT-06	380	50	290	0.9	2800	1751	721	77	/	①



## LWBA-250 Series



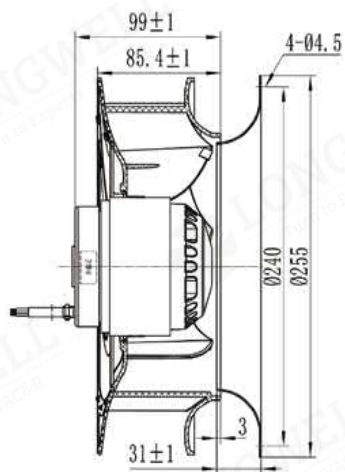
### Product Characteristic

- Impeller Material: Plastic PA66
- Direction of Rotation: Clockwise, seen on rotor
- Mode of Operation: S1
- Operation Temperature: -40°C ~ +65°C
- Type of Protection: IP44
- Insulation Class: F
- Bearing: Maintenance-free ball bearings

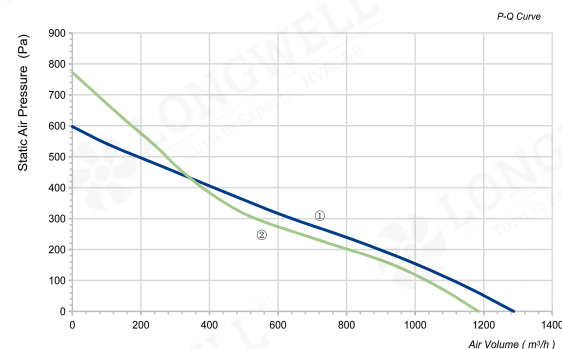


### Technical Specifications

Model	Voltage (V)	Frequency (Hz)	Power (W)	Current (A)	Speed (RPM)	Air Flow (m³/h)	Air Pressure (Pa)	Noise [dB(A)]	Capacitor	Curve
LWBA2E250-092NS-07	230	50	151	0.66	2700	1470	714	72.7	5uF	①



## LWBA-250 Series



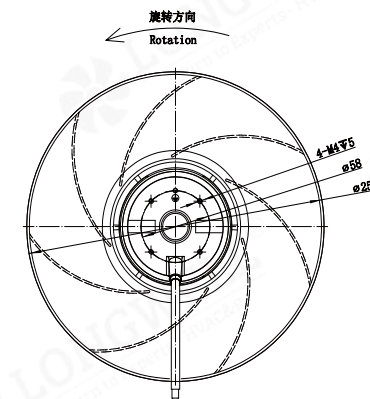
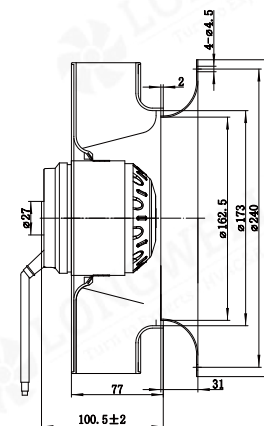
### Product Characteristic

- Impeller Material: Plastic PA66
- Direction of Rotation: Clockwise, seen on rotor
- Mode of Operation: S1
- Operation Temperature: -40°C ~ +65°C
- Type of Protection: IP44
- Insulation Class: F
- Bearing: Maintenance-free ball bearings

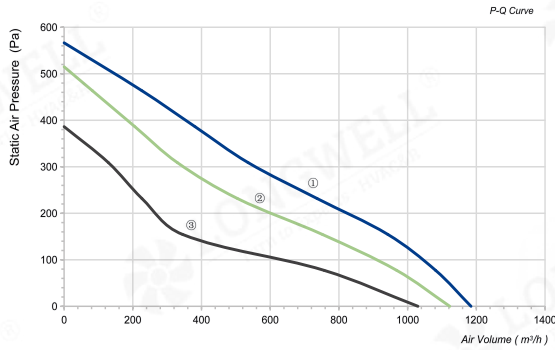


### Technical Specifications

Model	Voltage (V)	Frequency (Hz)	Power (W)	Current (A)	Speed (RPM)	Air Flow (m³/h)	Air Pressure (Pa)	Noise [dB(A)]	Capacitor	Curve
LWBA2E250-092NS-08	230	50	135	0.6	2450	1288	597	74	4uF	①
LWBA2E250-092NS-09	230	60	190	0.9	2600	1185	773	76	4uF	②
LWBA2D250-092NT-10	380	50	160	0.32	2450	1288	597	74	/	①
LWBA2D250-092NT-11	380	60	185	0.38	2600	1185	773	76	/	②



# LWBA-250 Series



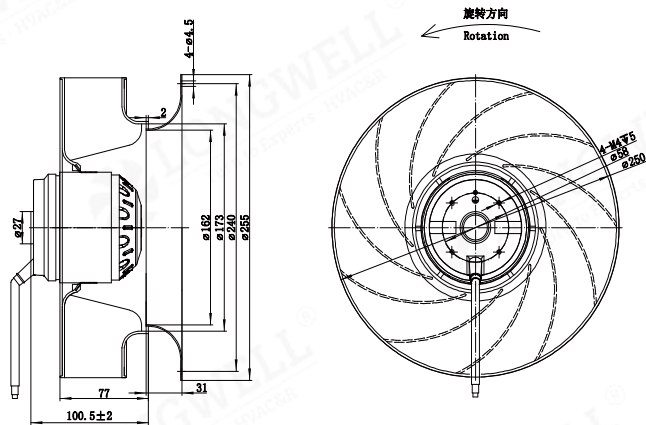
## Product Characteristic

- Impeller Material: Plastic PA66
- Direction of Rotation: Clockwise, seen on rotor
- Mode of Operation: S1
- Operation Temperature: -40 C ~ +65 C
- Type of Protection: IP44
- Insulation Class: F
- Bearing: Maintenance-free ball bearings

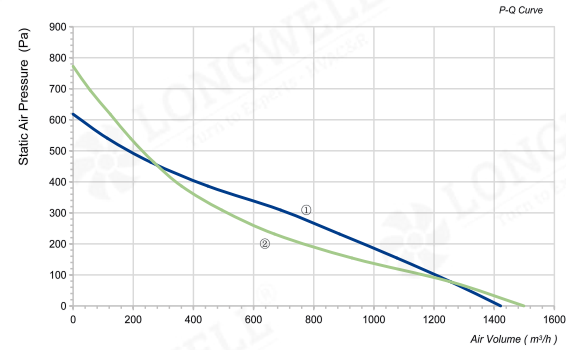


## Technical Specifications

Model	Voltage (V)	Frequency (Hz)	Power (W)	Current (A)	Speed (RPM)	Air Flow (m³/h)	Air Pressure (Pa)	Noise [dB(A)]	Capacitor	Curve
			130	0.62	2650	1185	567	76	4uF	①
LWBA2E250-092NS-12	230	50	125	0.58	2400	1123	515	70	4uF	②
			120	0.56	2150	1030	386	65	4uF	③



# LWBA-250 Series



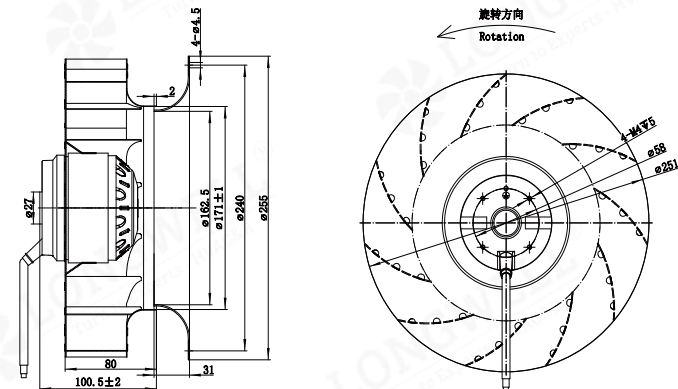
## Product Characteristic

- Impeller Material: Galvanised sheet steel
- Direction of Rotation: Clockwise, seen on rotor
- Mode of Operation: S1
- Operation Temperature: -40 C ~ +65 C
- Type of Protection: IP44
- Insulation Class: F
- Bearing: Maintenance-free ball bearings

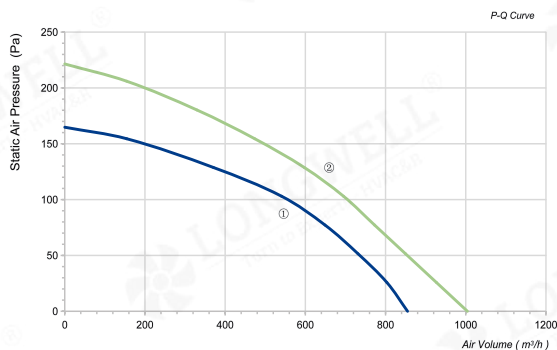


## Technical Specifications

Model	Voltage (V)	Frequency (Hz)	Power (W)	Current (A)	Speed (RPM)	Air Flow (m³/h)	Air Pressure (Pa)	Noise [dB(A)]	Capacitor	Curve
LWBA2E250-092NS-13	230	50	155	0.7	2500	1421	618	76	4uF	①
LWBA2E250-092NS-14	230	60	210	0.95	2600	1499	773	79	4uF	②
LWBA2D250-092NT-15	380	50	150	0.31	2450	1421	618	76	/	①
LWBA2D250-092NT-16	380	60	200	0.37	2550	1499	773	79	/	②



## LWBA-250 Series



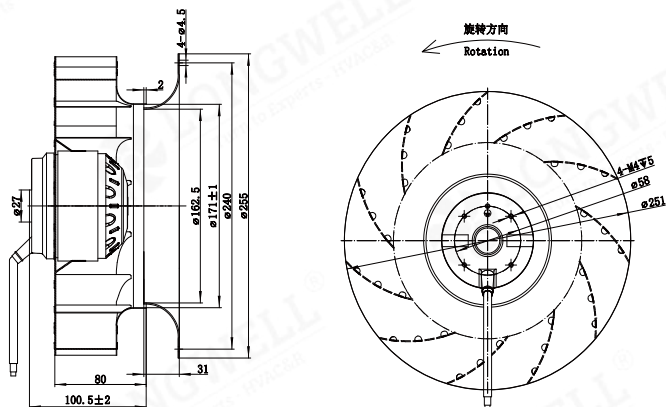
### Product Characteristic

- Impeller Material: Galvanised sheet steel
- Direction of Rotation: Clockwise, seen on rotor
- Mode of Operation: S1
- Operation Temperature: -40°C ~ +65°C
- Type of Protection: IP44
- Insulation Class: F
- Bearing: Maintenance-free ball bearings

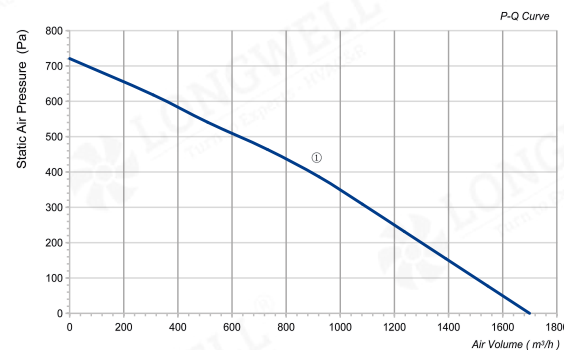


### Technical Specifications

Model	Voltage (V)	Frequency (Hz)	Power (W)	Current (A)	Speed (RPM)	Air Flow (m³/h)	Air Pressure (Pa)	Noise [dB(A)]	Capacitor	Curve
LWBA4E250-092NS-17	230	50	50	0.24	1400	855	165	68	2uF	①
LWBA4E250-092NS-18	230	60	60	0.27	1600	1004	221	70	2uF	②
LWBA4D250-092NT-19	380	50	50	0.15	1450	855	165	68	/	①
LWBA4D250-092NT-20	380	60	60	0.15	1600	1004	221	70	/	②



## LWBA-280 Series



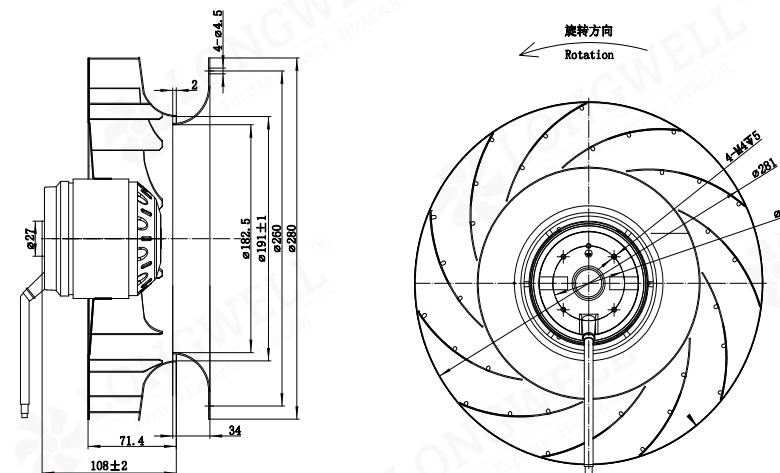
### Product Characteristic

- Impeller Material: Galvanised sheet steel
- Direction of Rotation: Clockwise, seen on rotor
- Mode of Operation: S1
- Operation Temperature: -40°C ~ +65°C
- Type of Protection: IP44
- Insulation Class: F
- Bearing: Maintenance-free ball bearings

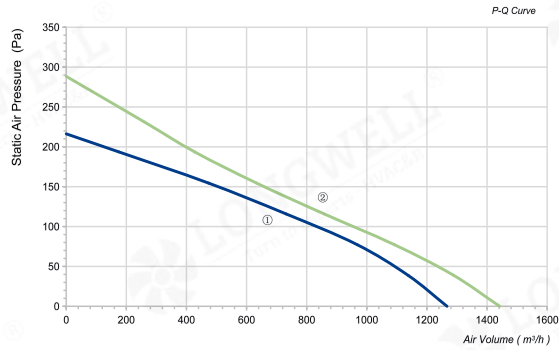


### Technical Specifications

Model	Voltage (V)	Frequency (Hz)	Power (W)	Current (A)	Speed (RPM)	Air Flow (m³/h)	Air Pressure (Pa)	Noise [dB(A)]	Capacitor	Curve
LWBA2E280-092NS-01	230	50	230	1.1	2450	1700	721	79	6uF	①
LWBA2D280-092NT-02	380	50	200	0.6	2500	1700	721	79	/	①



# LWBA-280 Series



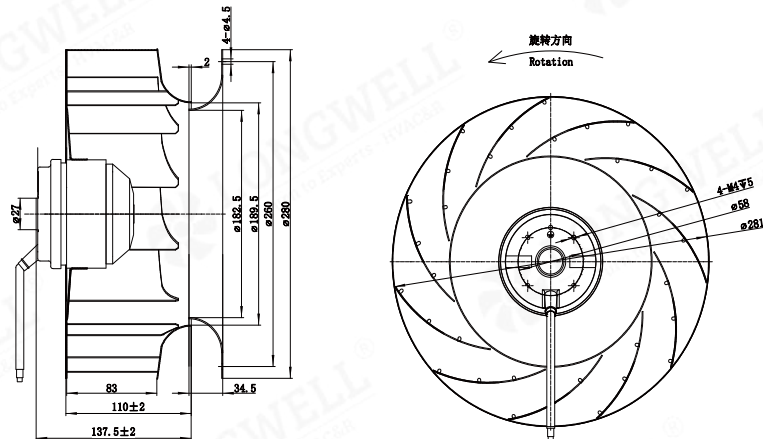
## Product Characteristic

- Impeller Material: Galvanised sheet steel
- Direction of Rotation: Clockwise, seen on rotor
- Mode of Operation: S1
- Operation Temperature: -40°C ~ +65°C
- Type of Protection: IP44
- Insulation Class: F
- Bearing: Maintenance-free ball bearings

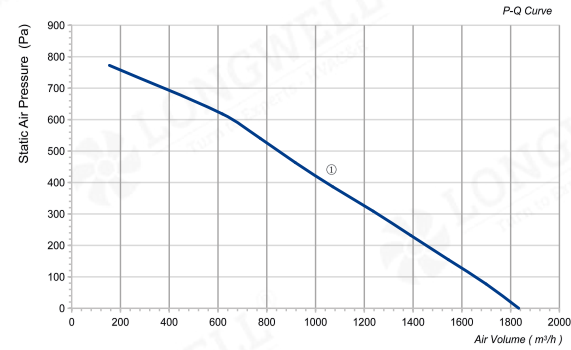


## Technical Specifications

Model	Voltage (V)	Frequency (Hz)	Power (W)	Current (A)	Speed (RPM)	Air Flow (m³/h)	Air Pressure (Pa)	Noise [dB(A)]	Capacitor	Curve
LWBA4E280-092NS-03	230	50	80	0.38	1350	1267	216	63	3uF	①
LWBA4E280-092NS-04	230	60	100	0.45	1500	1442	288	66	3uF	②



# LWBA-280 Series



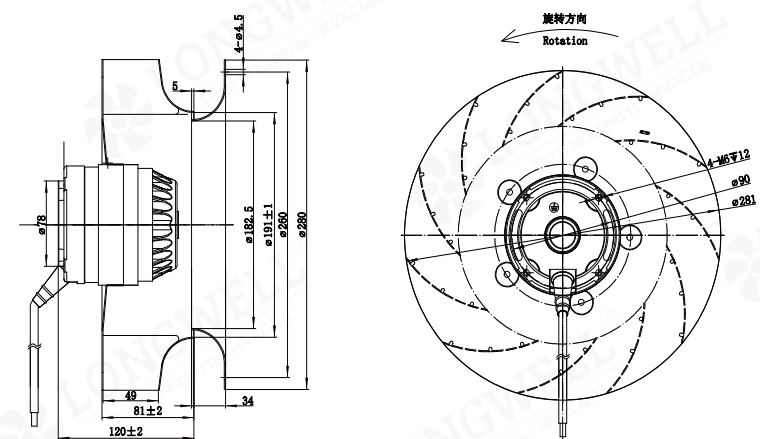
## Product Characteristic

- Impeller Material: Galvanised sheet steel
- Direction of Rotation: Clockwise, seen on rotor
- Mode of Operation: S1
- Operation Temperature: -40°C ~ +65°C
- Type of Protection: IP54
- Insulation Class: F
- Bearing: Maintenance-free ball bearings

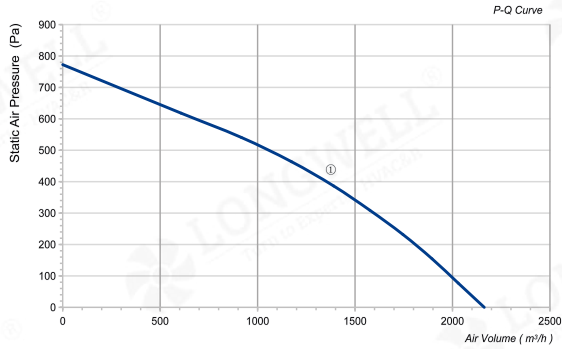


## Technical Specifications

Model	Voltage (V)	Frequency (Hz)	Power (W)	Current (A)	Speed (RPM)	Air Flow (m³/h)	Air Pressure (Pa)	Noise [dB(A)]	Capacitor	Curve
LWBA2E280-102NS-05	230	50	250	1.2	2650	1833	773	80	7uF	①
LWBA2D280-102NT-06	380	50	250	0.7	2650	1833	773	80	/	①



# LWBA-280 Series



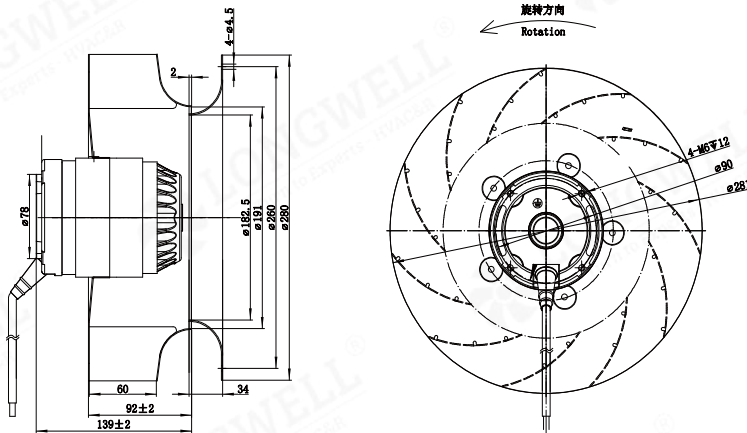
## Product Characteristic

- Impeller Material: Galvanised sheet steel
- Direction of Rotation: Clockwise, seen on rotor
- Mode of Operation: S1
- Operation Temperature: -40°C ~ +65°C
- Type of Protection: IP54
- Insulation Class: F
- Bearing: Maintenance-free ball bearings

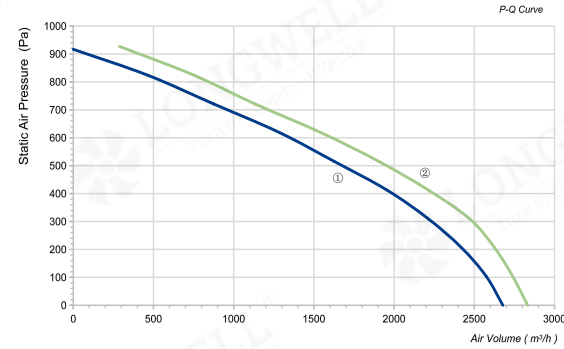


## Technical Specifications

Model	Voltage (V)	Frequency (Hz)	Power (W)	Current (A)	Speed (RPM)	Air Flow (m³/h)	Air Pressure (Pa)	Noise [dB(A)]	Capacitor	Curve
LWBA2E280-102NS-07	230	50	330	1.5	2700	2163	773	80	10uF	①
LWBA2D280-102NT-08	380	50	330	0.7	2700	2163	773	80	/	①



# LWBA-280 Series



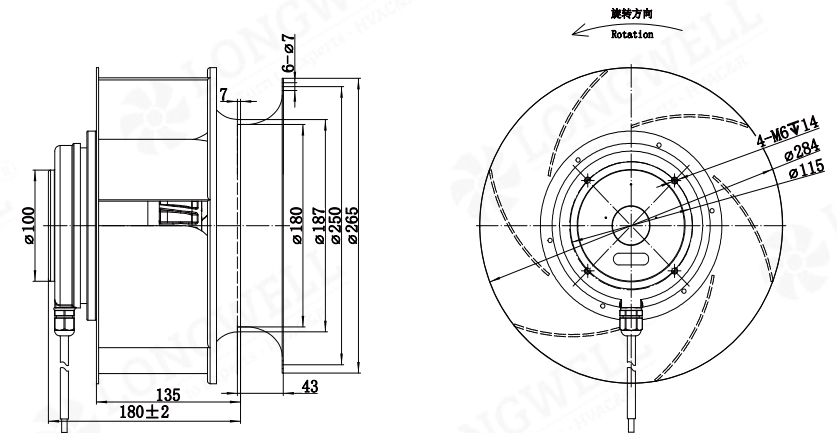
## Product Characteristic

- Impeller Material: Aluminum Alloy
- Direction of Rotation: Clockwise, seen on rotor
- Mode of Operation: S1
- Operation Temperature: -40°C ~ +65°C
- Type of Protection: IP54
- Insulation Class: F
- Bearing: Maintenance-free ball bearings

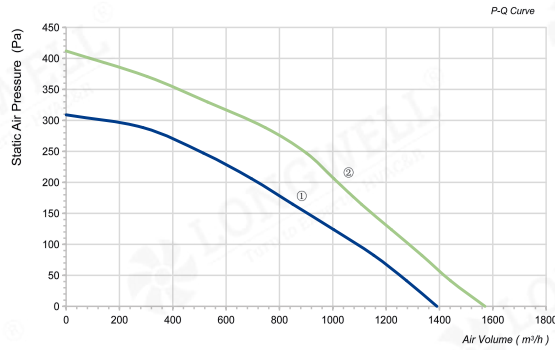


## Technical Specifications

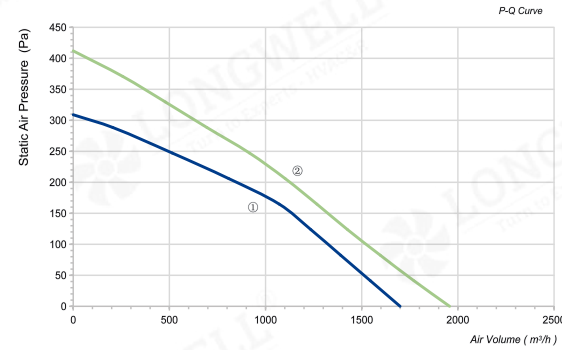
Model	Voltage (V)	Frequency (Hz)	Power (W)	Current (A)	Speed (RPM)	Air Flow (m³/h)	Air Pressure (Pa)	Noise [dB(A)]	Capacitor	Curve
LWBA2D280-138NT-09	380	50	500	0.95	2750	2678	917	78	/	①
LWBA2D280-138NT-10	380	60	680	1.6	2900	2833	927	80	/	②



# LWBA-315 Series



# LWBA-315 Series



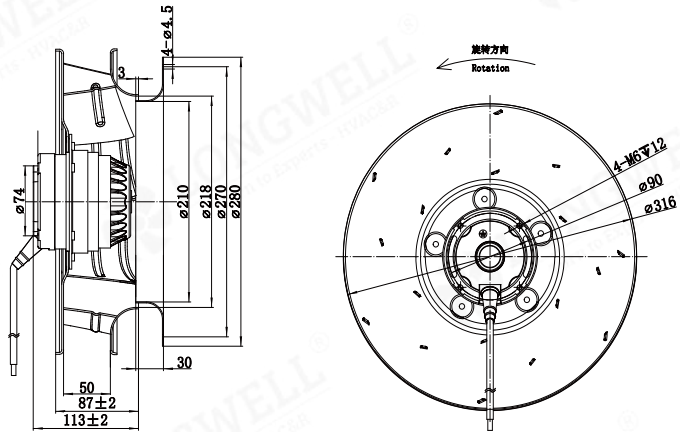
## Product Characteristic

- Impeller Material: Aluminum Alloy
- Direction of Rotation: Clockwise, seen on rotor
- Mode of Operation: S1
- Operation Temperature: -40°C ~ +65°C
- Type of Protection: IP54
- Insulation Class: F
- Bearing: Maintenance-free ball bearings



## Technical Specifications

Model	Voltage (V)	Frequency (Hz)	Power (W)	Current (A)	Speed (RPM)	Air Flow (m³/h)	Air Pressure (Pa)	Noise [dB(A)]	Capacitor	Curve
LWBA4E315-102NS-01	230	50	95	0.5	1400	1391	309	56	3uF	①
LWBA4E315-102NS-02	230	60	115	0.6	1600	1571	412	58	3uF	②



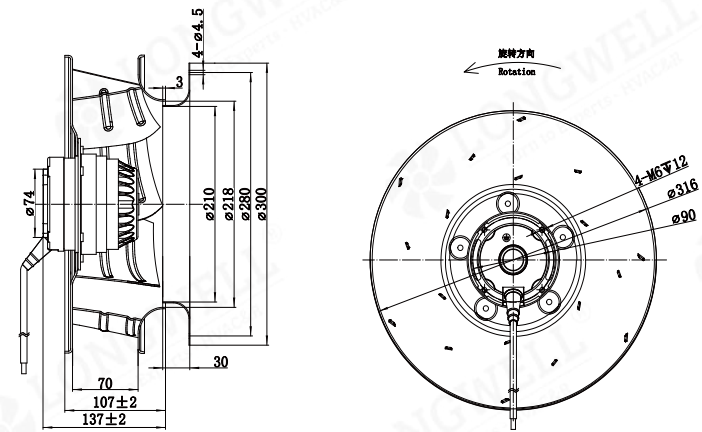
## Product Characteristic

- Impeller Material: Aluminum Alloy
- Direction of Rotation: Clockwise, seen on rotor
- Mode of Operation: S1
- Operation Temperature: -40°C ~ +65°C
- Type of Protection: IP54
- Insulation Class: F
- Bearing: Maintenance-free ball bearings

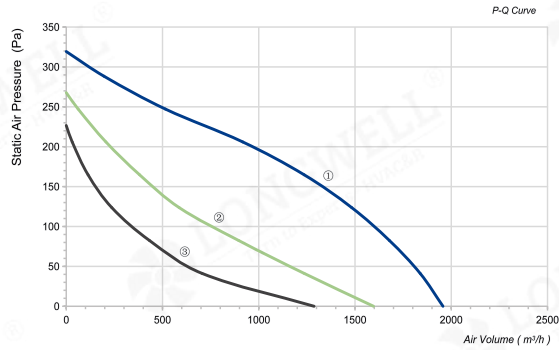


## Technical Specifications

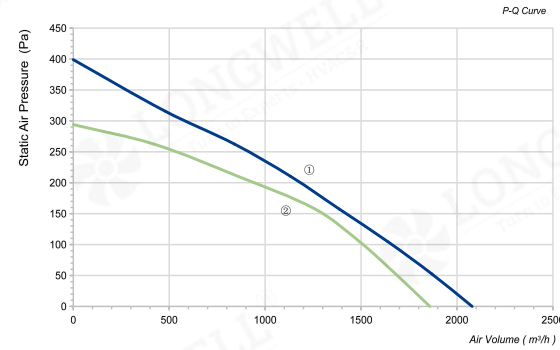
Model	Voltage (V)	Frequency (Hz)	Power (W)	Current (A)	Speed (RPM)	Air Flow (m³/h)	Air Pressure (Pa)	Noise [dB(A)]	Capacitor	Curve
LWBA4E315-102NS-03	230	50	105	0.55	1400	1700	309	60	3uF	①
LWBA4E315-102NS-04	230	60	135	0.65	1600	1957	412	62	3uF	②



# LWBA-315 Series



# LWBA-315 Series



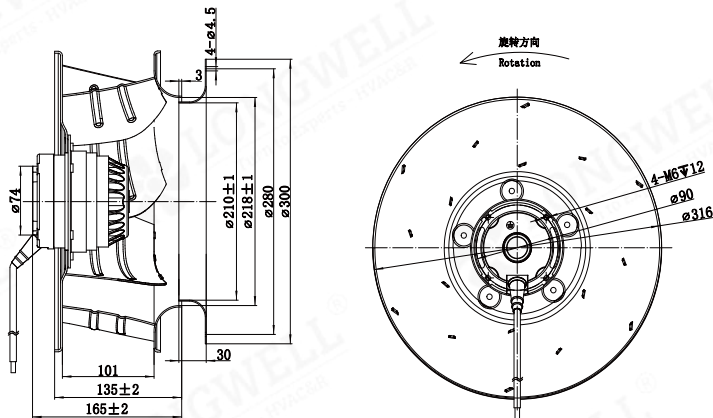
## Product Characteristic

- Impeller Material: Aluminum Alloy
- Direction of Rotation: Clockwise, seen on rotor
- Mode of Operation: S1
- Operation Temperature: -40°C ~ +65°C
- Type of Protection: IP54
- Insulation Class: F
- Bearing: Maintenance-free ball bearings



## Technical Specifications

Model	Voltage (V)	Frequency (Hz)	Power (W)	Current (A)	Speed (RPM)	Air Flow (m³/h)	Air Pressure (Pa)	Noise [dB(A)]	Capacitor	Curve
			115	0.6	1350	1957	319	63	4uF	①
LWBA4E315-102NS-11	230	50	85	0.4	1100	1597	268	57	4uF	②
			65	0.3	850	1288	227	51	4uF	③



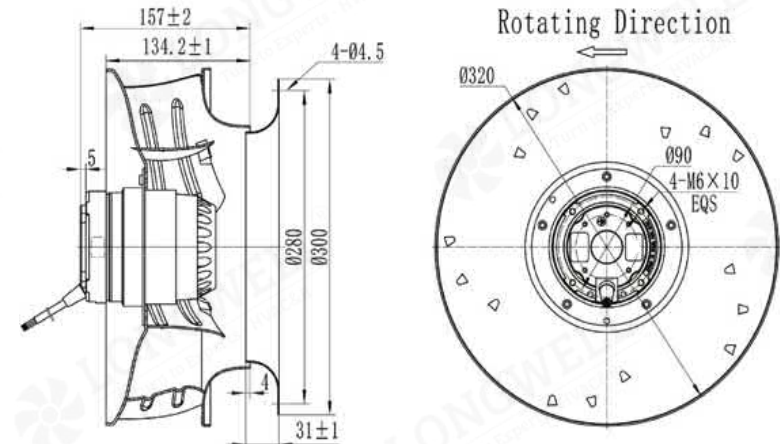
## Product Characteristic

- Impeller Material: Aluminum Alloy
- Direction of Rotation: Clockwise, seen on rotor
- Mode of Operation: S1
- Operation Temperature: -40°C ~ +65°C
- Type of Protection: IP54
- Insulation Class: F
- Bearing: Maintenance-free ball bearings



## Technical Specifications

Model	Voltage (V)	Frequency (Hz)	Power (W)	Current (A)	Speed (RPM)	Air Flow (m³/h)	Air Pressure (Pa)	Noise [dB(A)]	Capacitor	Curve
LWBA4E315-102NS-18	230	60	153	0.66	1550	2079	399	69.6	4uF	①
LWBA4E315-102NS-19	230	50	116	0.53	1390	1859	294	67.4	4uF	②



# LWBA-315 Series

## Product Characteristic

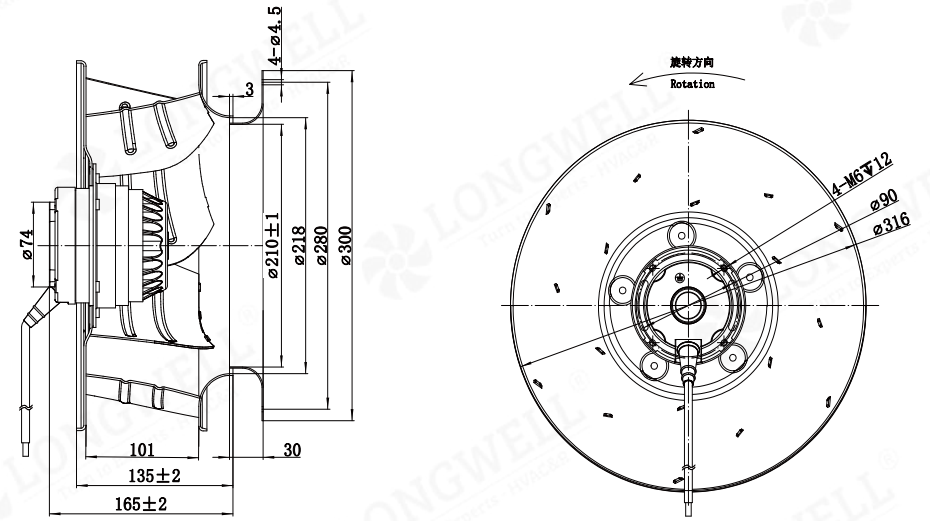
- Impeller Material: Aluminum Alloy
- Direction of Rotation: Clockwise, seen on rotor
- Mode of Operation: S1
- Type of Protection: IP54
- Insulation Class: F
- Bearing: Maintenance-free ball bearings
- Operation Temperature: -40~+65 C



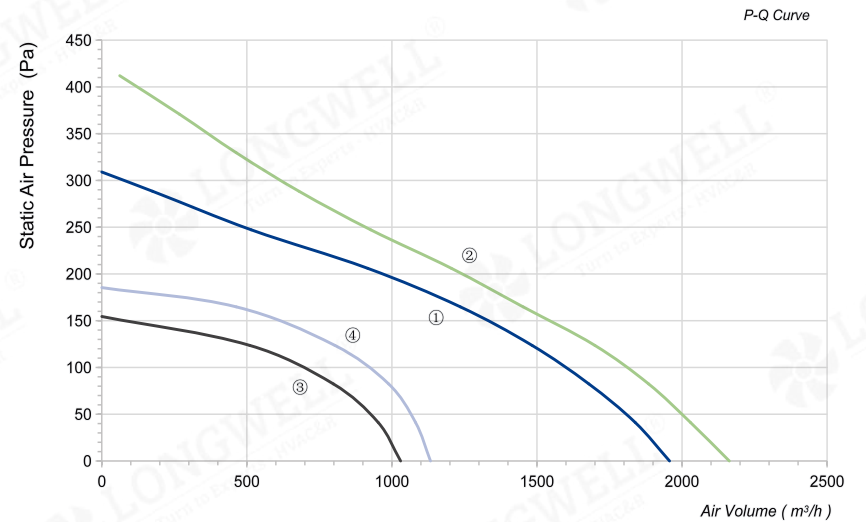
## Technical Specifications

Model	Voltage (V)	Frequency (Hz)	Power (W)	Current (A)	Speed (RPM)	Air Flow (m³/h)	Air Pressure (Pa)	Noise [dB(A)]	Capacitor	Curve
LWBA4E315-102NS-05	230	50	135	0.6	1400	1957	309	63	3uF	①
LWBA4E315-102NS-06	230	60	180	0.8	1580	2163	412	65	3uF	②
LWBA6E315-102NS-07	230	50	75	0.38	940	1030	155	58	3uF	③
LWBA6E315-102NS-08	230	60	85	0.42	1050	1133	185	60	3uF	④
LWBA4D315-102NT-09	380	50	136	0.35	1400	1957	309	63	/	①
LWBA4D315-102NT-10	380	60	175	0.4	1560	2163	412	65	/	②

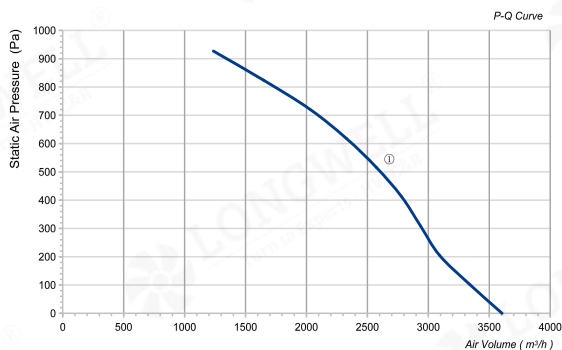
## Product Drawing (mm)



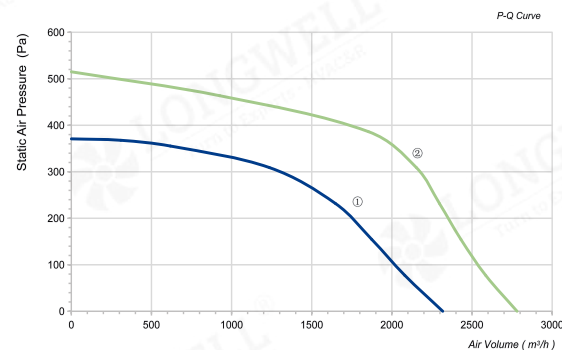
## Flow Rate Curve



## LWBA-315 Series



## LWBA-315 Series



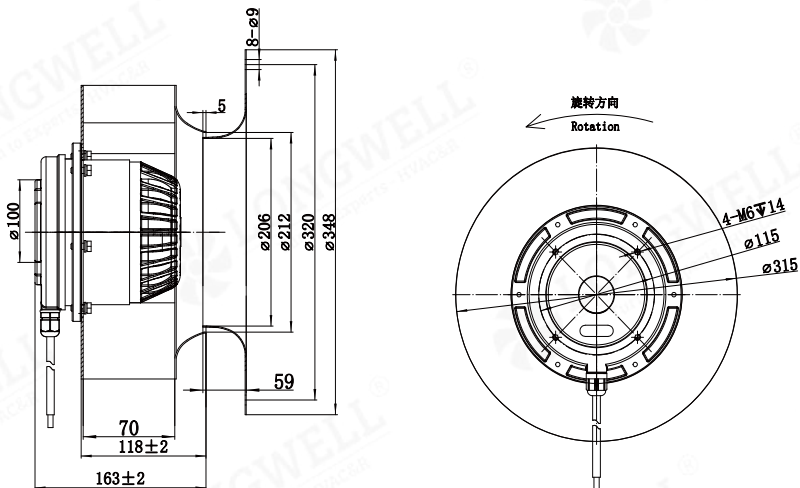
### Product Characteristic

- Impeller Material: Aluminum Alloy
- Direction of Rotation: Clockwise, seen on rotor
- Mode of Operation: S1
- Operation Temperature: -40°C ~ +65°C
- Type of Protection: IP54
- Insulation Class: F
- Bearing: Maintenance-free ball bearings



### Technical Specifications

Model	Voltage (V)	Frequency (Hz)	Power (W)	Current (A)	Speed (RPM)	Air Flow (m³/h)	Air Pressure (Pa)	Noise [dB(A)]	Capacitor	Curve
LWBA2D315-138NT-12	380	50	800	1.5	2750	3605	927	84	/	①



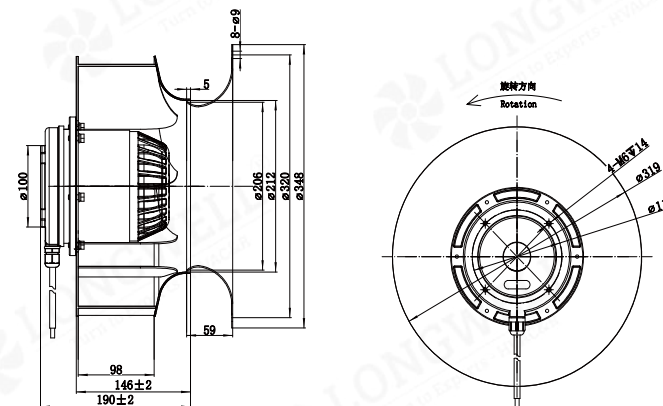
### Product Characteristic

- Impeller Material: Aluminum Alloy
- Direction of Rotation: Clockwise, seen on rotor
- Mode of Operation: S1
- Operation Temperature: -40°C ~ +65°C
- Type of Protection: IP54
- Insulation Class: F
- Bearing: Maintenance-free ball bearings

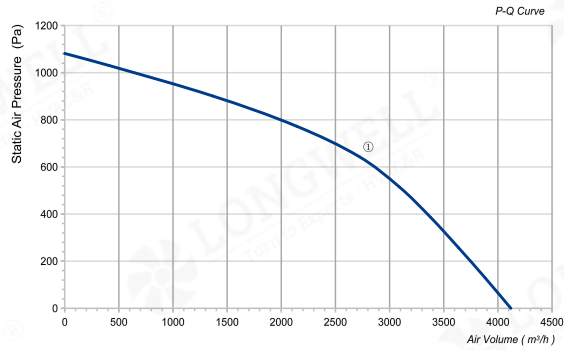


### Technical Specifications

Model	Voltage (V)	Frequency (Hz)	Power (W)	Current (A)	Speed (RPM)	Air Flow (m³/h)	Air Pressure (Pa)	Noise [dB(A)]	Capacitor	Curve
LWBA4E315-138NS-13	230	50	220	1.2	1450	2318	371	64	10uF	①
LWBA4E315-138NS-14	230	60	300	1.5	1650	2781	515	68	10uF	②
LWBA4D315-138NT-15	380	50	220	0.65	1450	2318	371	64	/	①
LWBA4D315-138NT-16	380	60	300	0.7	1650	2781	515	68	/	②



## LWBA-315 Series



### Product Characteristic

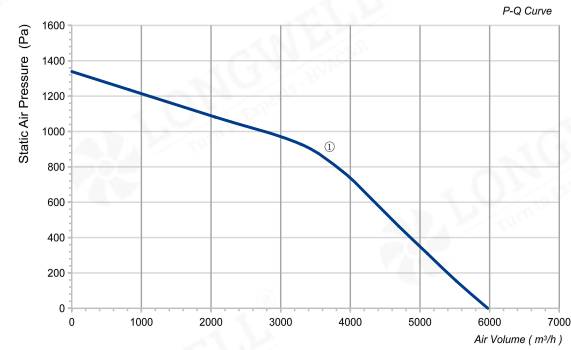
- Impeller Material: Aluminum Alloy
- Direction of Rotation: Clockwise, seen on rotor
- Mode of Operation: S1
- Operation Temperature: -40°C ~ +65°C
- Type of Protection: IP54
- Insulation Class: F
- Bearing: Maintenance-free ball bearings



### Technical Specifications

Model	Voltage (V)	Frequency (Hz)	Power (W)	Current (A)	Speed (RPM)	Air Flow (m³/h)	Air Pressure (Pa)	Noise [dB(A)]	Capacitor	Curve
LWBA2D315-188NT-17	380	50	1300	2	2650	4120	1082	85	/	①

## LWBA-355 Series



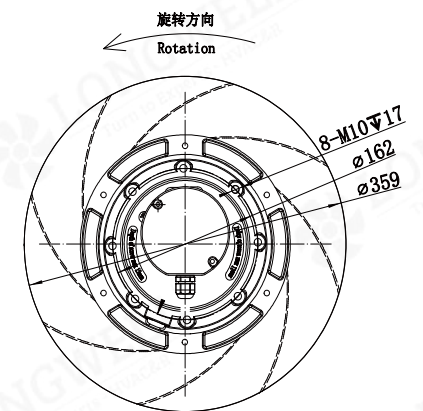
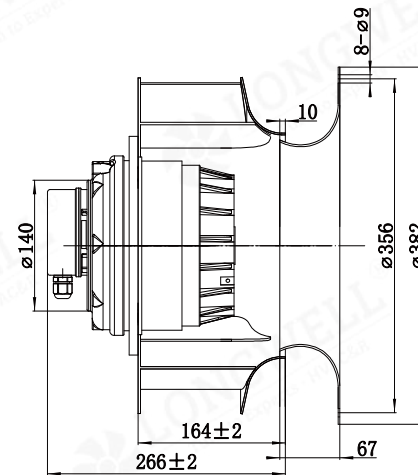
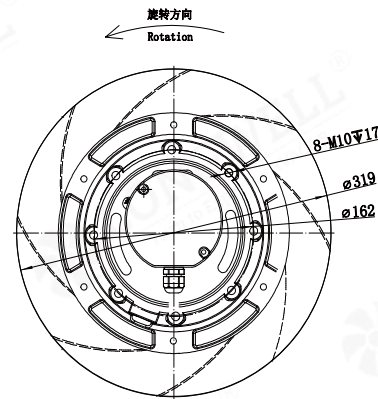
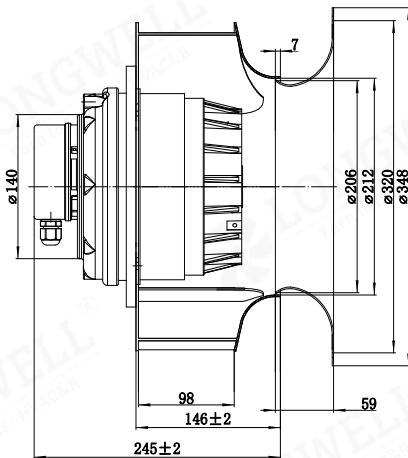
### Product Characteristic

- Impeller Material: Aluminum Alloy
- Direction of Rotation: Clockwise, seen on rotor
- Mode of Operation: S1
- Operation Temperature: -40°C ~ +65°C
- Type of Protection: IP54
- Insulation Class: F
- Bearing: Maintenance-free ball bearings



### Technical Specifications

Model	Voltage (V)	Frequency (Hz)	Power (W)	Current (A)	Speed (RPM)	Air Flow (m³/h)	Air Pressure (Pa)	Noise [dB(A)]	Capacitor	Curve
LWBA2D355-188NT-18	380	50	2500	4	2700	5974	1339	90	/	①



# LWBA-355 Series

## Product Characteristic

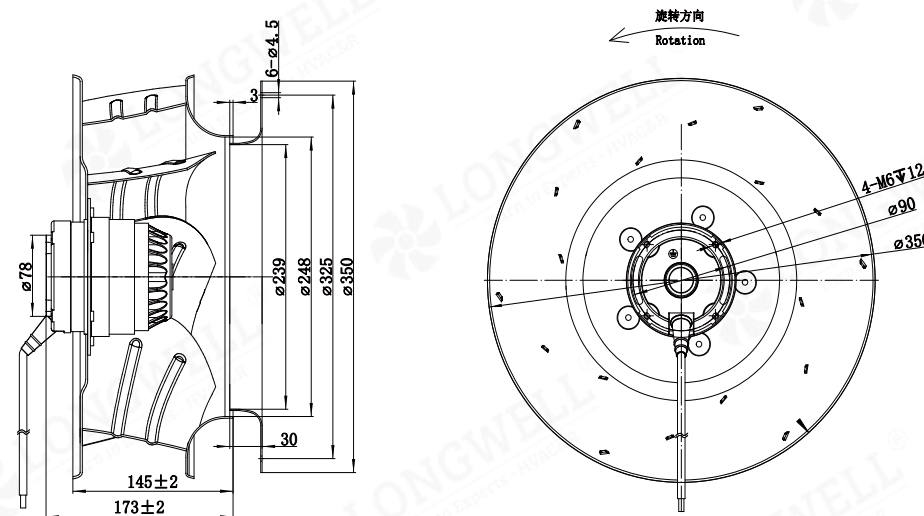
- Impeller Material: Aluminum Alloy
- Direction of Rotation: Clockwise, seen on rotor
- Mode of Operation: S1
- Type of Protection: IP54
- Insulation Class: F
- Bearing: Maintenance-free ball bearings
- Operation Temperature: -40~+65 C



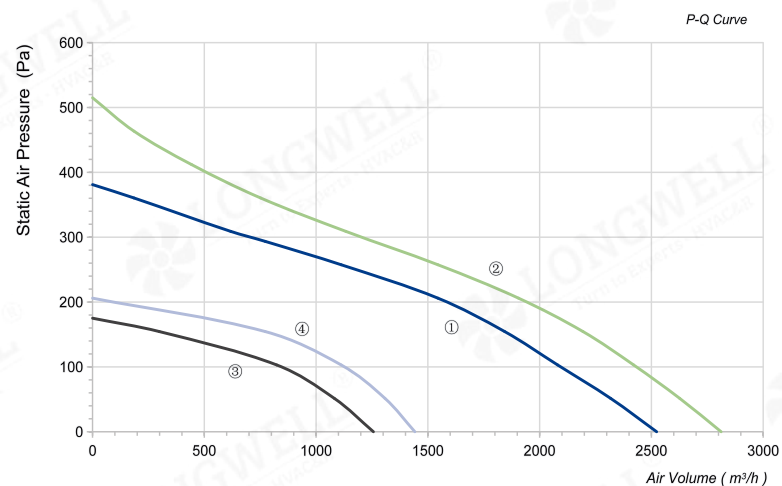
## Technical Specifications

Model	Voltage (V)	Frequency (Hz)	Power (W)	Current (A)	Speed (RPM)	Air Flow (m³/h)	Air Pressure (Pa)	Noise [dB(A)]	Capacitor	Curve
LWBA4E355-102NS-01	230	50	165	0.75	1400	2524	381	63	6uF	①
LWBA4E355-102NS-02	230	60	245	1.2	1460	2812	515	65	6uF	②
LWBA6E355-102NS-03	230	50	100	0.46	930	1257	175	60	4uF	③
LWBA6E355-102NS-04	230	60	130	0.5	1080	1442	206	61	4uF	④
LWBA4D355-102NT-05	380	50	170	0.46	1400	2524	381	63	/	①
LWBA4D355-102NT-06	380	60	250	0.48	1500	2812	515	65	/	②

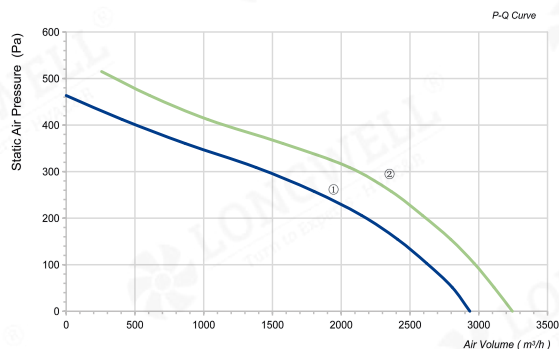
## Product Drawing (mm)



## Flow Rate Curve



## LWBA-355 Series



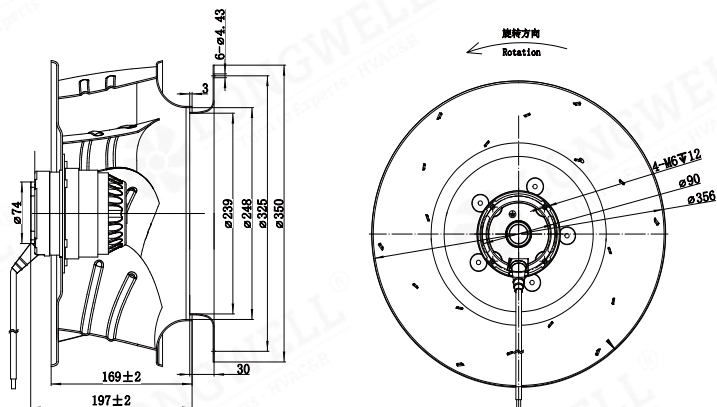
### Product Characteristic

- Impeller Material: Aluminum Alloy
- Direction of Rotation: Clockwise, seen on rotor
- Mode of Operation: S1
- Operation Temperature: -40°C ~ +65°C
- Type of Protection: IP54
- Insulation Class: F
- Bearing: Maintenance-free ball bearings

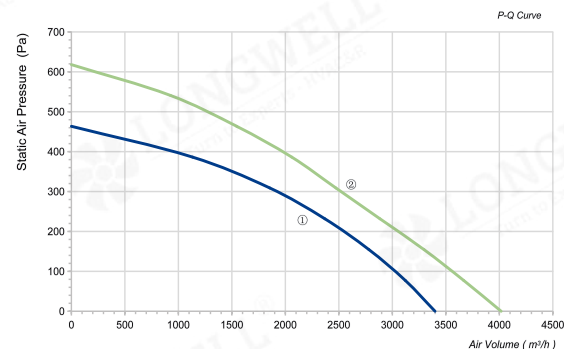


### Technical Specifications

Model	Voltage (V)	Frequency (Hz)	Power (W)	Current (A)	Speed (RPM)	Air Flow (m³/h)	Air Pressure (Pa)	Noise [dB(A)]	Capacitor	Curve
LWBA4E355-102NS-07	230	50	210	1	1350	2936	464	65	7uF	①
LWBA4E355-102NS-08	230	60	280	1.35	1550	3245	515	67	6uF	②
LWBA4D355-102NT-09	380	50	200	0.53	1380	2936	464	65	/	①
LWBA4D355-102NT-10	380	60	270	0.55	1600	3245	515	67	/	②



## LWBA-355 Series



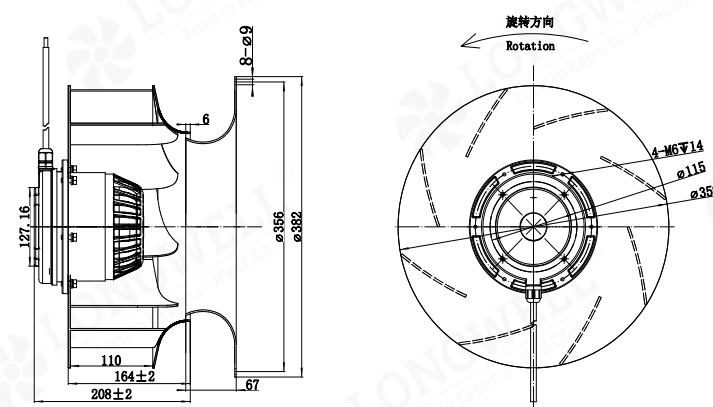
### Product Characteristic

- Impeller Material: Aluminum Alloy
- Direction of Rotation: Clockwise, seen on rotor
- Mode of Operation: S1
- Operation Temperature: -40°C ~ +65°C
- Type of Protection: IP54
- Insulation Class: F
- Bearing: Maintenance-free ball bearings

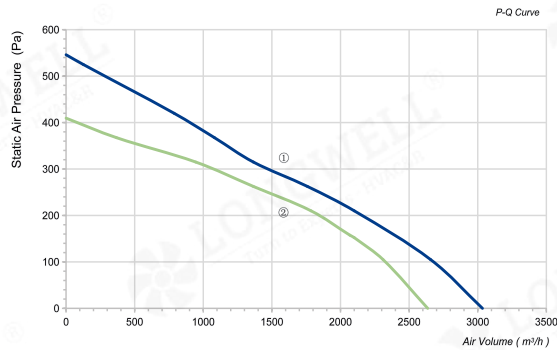


### Technical Specifications

Model	Voltage (V)	Frequency (Hz)	Power (W)	Current (A)	Speed (RPM)	Air Flow (m³/h)	Air Pressure (Pa)	Noise [dB(A)]	Capacitor	Curve
LWBA4D355-138NT-11	380	50	360	1	1450	3399	464	72	/	①
LWBA4D355-138NT-12	380	60	550	1.1	1700	4017	618	77	/	②
LWBA4E355-138NS-13	230	50	400	2.2	1400	3399	464	72	12uF	①
LWBA4E355-138NS-14	230	60	600	2.6	1700	4017	618	77	12uF	②



## LWBA-355 Series



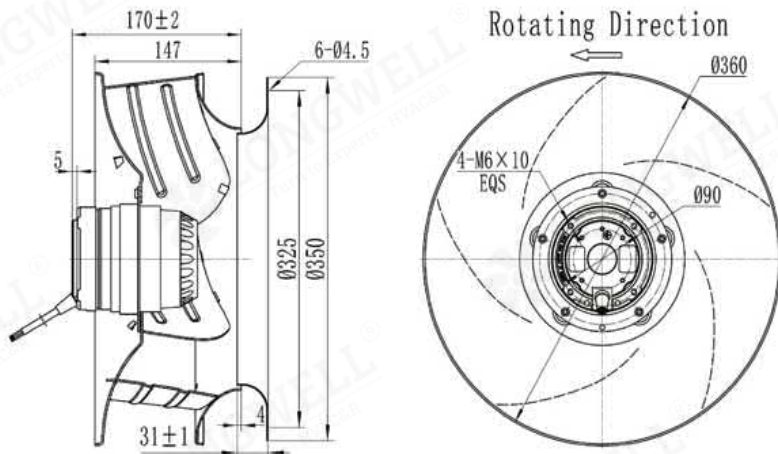
### Product Characteristic

- Impeller Material: Aluminum Alloy
- Direction of Rotation: Clockwise, seen on rotor
- Mode of Operation: S1
- Operation Temperature: -40°C ~ +65°C
- Type of Protection: IP54
- Insulation Class: F
- Bearing: Maintenance-free ball bearings

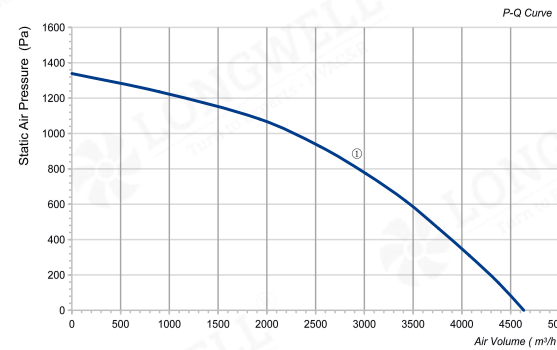


### Technical Specifications

Model	Voltage (V)	Frequency (Hz)	Power (W)	Current (A)	Speed (RPM)	Air Flow (m³/h)	Air Pressure (Pa)	Noise [dB(A)]	Capacitor	Curve
LWBA4E355-102NS-15	230	60	268	1.17	1635	3035	546	73.8	7.5uF	①
LWBA4E355-102NS-16	230	50	203	0.88	1425	2636	410	69.9	7.5uF	②



## LWBA-355 Series



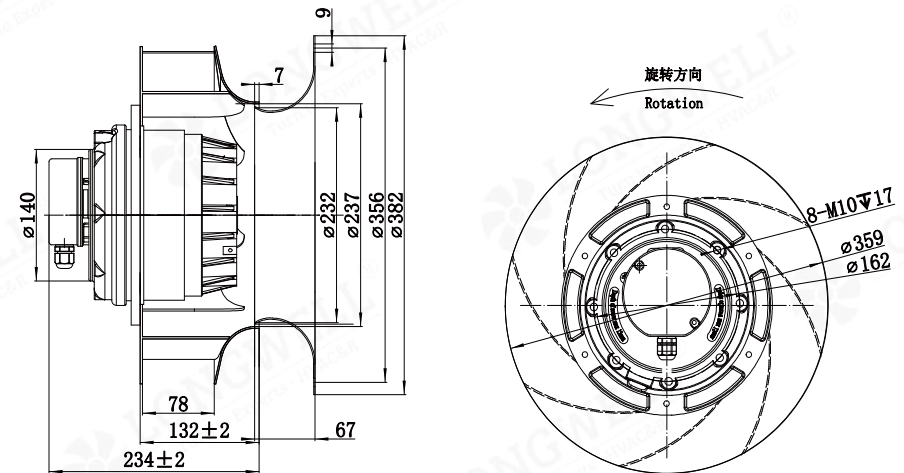
### Product Characteristic

- Impeller Material: Aluminum Alloy
- Direction of Rotation: Clockwise, seen on rotor
- Mode of Operation: S1
- Operation Temperature: -40°C ~ +65°C
- Type of Protection: IP54
- Insulation Class: F
- Bearing: Maintenance-free ball bearings

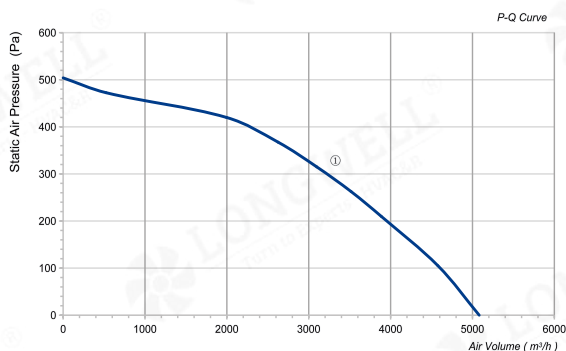


### Technical Specifications

Model	Voltage (V)	Frequency (Hz)	Power (W)	Current (A)	Speed (RPM)	Air Flow (m³/h)	Air Pressure (Pa)	Noise [dB(A)]	Capacitor	Curve
LWBA2D355-188NT-17	380	50	1600	2.6	2700	4635	1339	90	/	①



## LWBA-400 Series



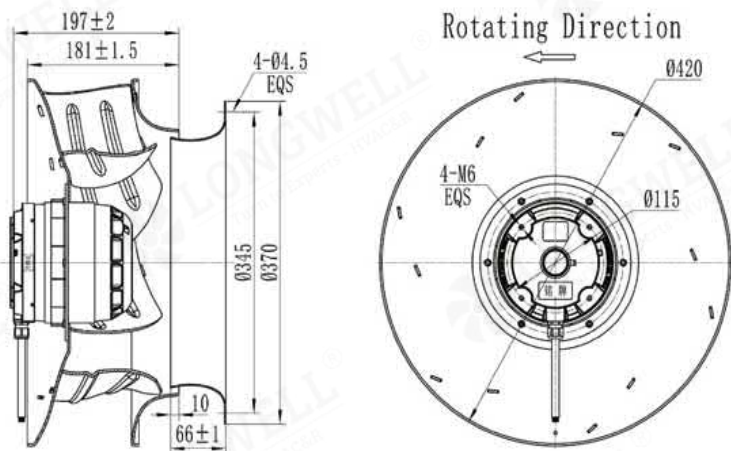
### Product Characteristic

- Impeller Material: Aluminum Alloy
- Direction of Rotation: Clockwise, seen on rotor
- Mode of Operation: S1
- Operation Temperature: -40°C ~ +65°C
- Type of Protection: IP54
- Insulation Class: F
- Bearing: Maintenance-free ball bearings

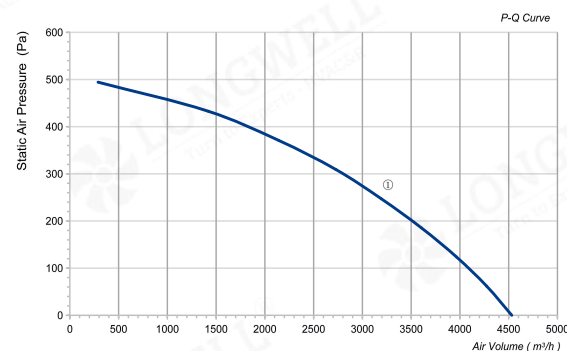


### Technical Specifications

Model	Voltage (V)	Frequency (Hz)	Power (W)	Current (A)	Speed (RPM)	Air Flow (m³/h)	Air Pressure (Pa)	Noise [dB(A)]	Capacitor	Curve
LWBA4D400-138NT-11	380	50	484	1.27	1400	5082	504	72	/	①



## LWBA-400 Series



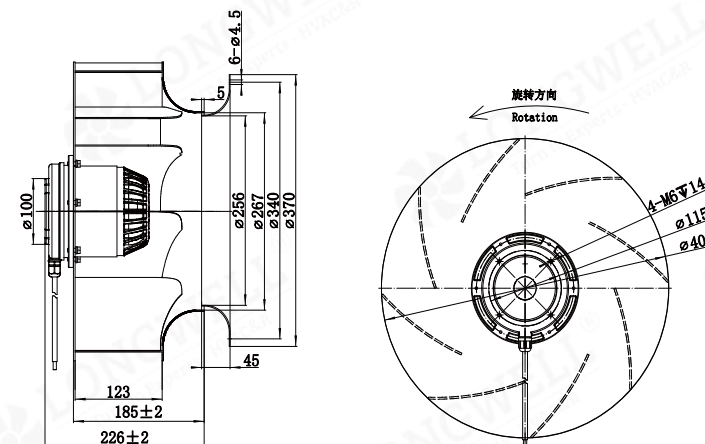
### Product Characteristic

- Impeller Material: Aluminum Alloy
- Direction of Rotation: Clockwise, seen on rotor
- Mode of Operation: S1
- Operation Temperature: -40°C ~ +65°C
- Type of Protection: IP54
- Insulation Class: F
- Bearing: Maintenance-free ball bearings



### Technical Specifications

Model	Voltage (V)	Frequency (Hz)	Power (W)	Current (A)	Speed (RPM)	Air Flow (m³/h)	Air Pressure (Pa)	Noise [dB(A)]	Capacitor	Curve
LWBA4E400-138NS-07	230	50	550	2.5	1380	4532	494	69	10uF	①
LWBA4D400-138NT-08	380	50	550	1.2	1370	4532	494	69	/	①



# LWBA-400 Series

## Product Characteristic

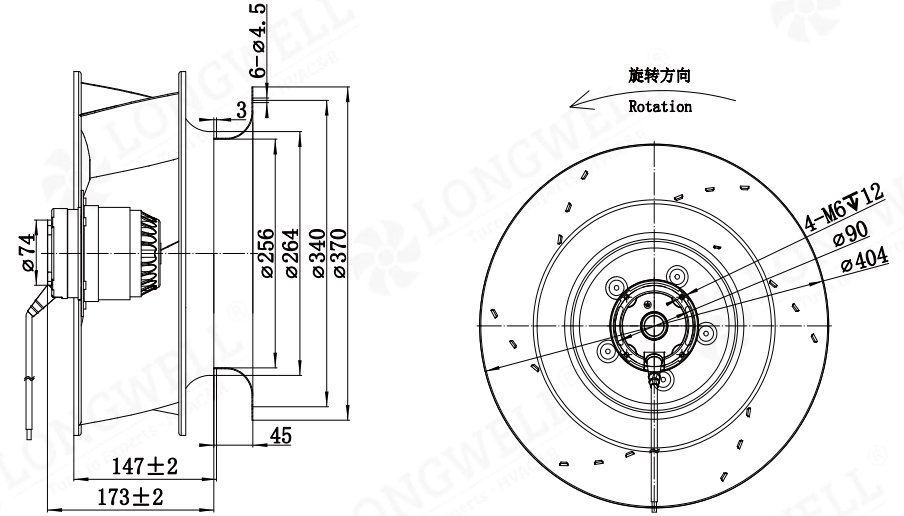
- Impeller Material: Aluminum Alloy
- Direction of Rotation: Clockwise, seen on rotor
- Mode of Operation: S1
- Type of Protection: IP54
- Insulation Class: F
- Bearing: Maintenance-free ball bearings
- Operation Temperature: -40~+65 C



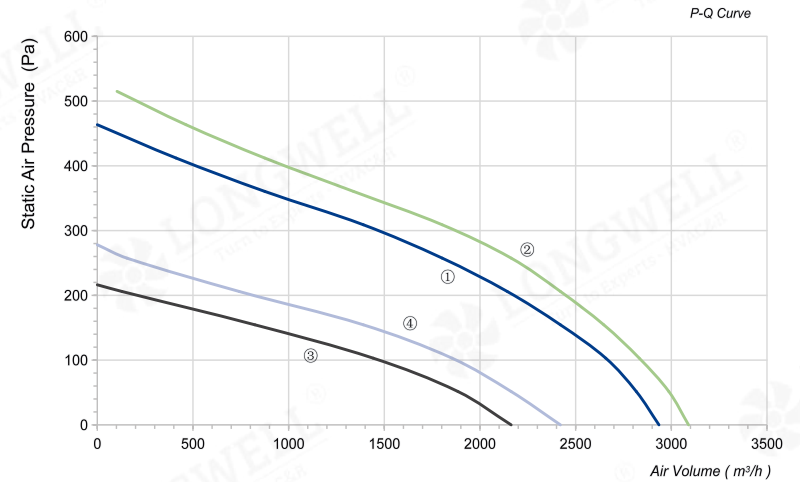
## Technical Specifications

Model	Voltage (V)	Frequency (Hz)	Power (W)	Current (A)	Speed (RPM)	Air Flow (m³/h)	Air Pressure (Pa)	Noise [dB(A)]	Capacitor	Curve
LWBA4E400-102NS-01	230	50	260	1.2	1350	2936	464	64	7uF	①
LWBA4E400-102NS-02	230	60	330	1.5	1450	3090	515	68	6uF	②
LWBA4D400-102NT-03	380	50	265	0.6	1380	2936	464	64	/	①
LWBA4D400-102NT-04	380	60	320	0.75	1460	3090	515	68	/	②
LWBA6E400-102NS-05	230	50	135	0.72	940	2163	216	56	6uF	③
LWBA6E400-102NS-06	230	60	155	0.85	1050	2421	278	57	6uF	④

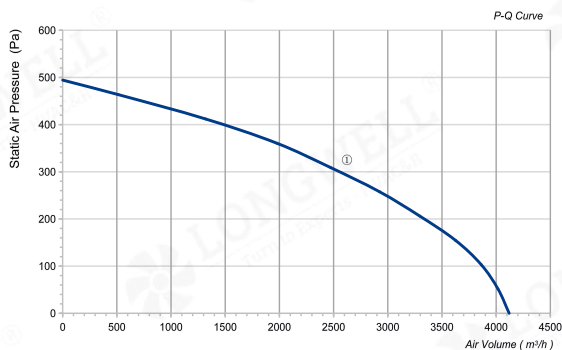
## Product Drawing (mm)



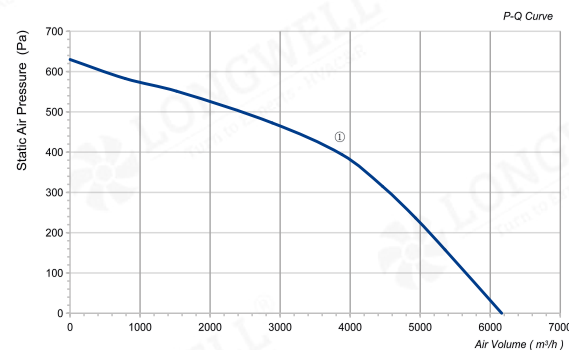
## Flow Rate Curve



## LWBA-400 Series



## LWBA-450 Series



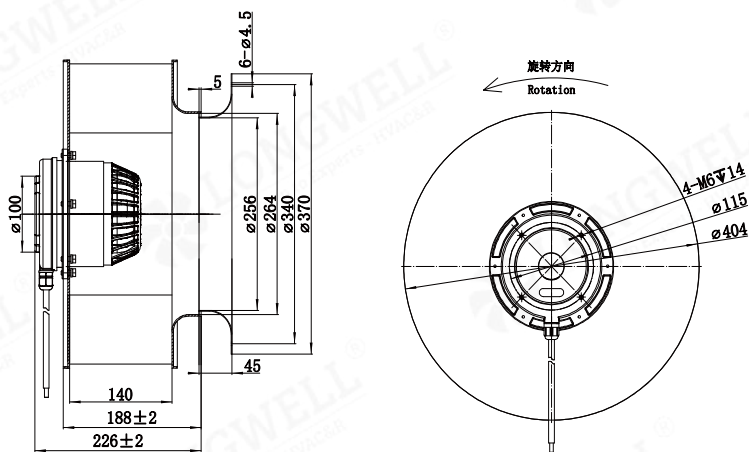
### Product Characteristic

- Impeller Material: Aluminum Alloy
- Direction of Rotation: Clockwise, seen on rotor
- Mode of Operation: S1
- Operation Temperature: -40°C ~ +65°C
- Type of Protection: IP54
- Insulation Class: F
- Bearing: Maintenance-free ball bearings



### Technical Specifications

Model	Voltage (V)	Frequency (Hz)	Power (W)	Current (A)	Speed (RPM)	Air Flow (m³/h)	Air Pressure (Pa)	Noise [dB(A)]	Capacitor	Curve
LWBA4E400-138NS-09	230	50	430	1.5	1380	4120	494	66	10uF	①
LWBA4D400-138NT-10	380	60	440	0.8	1380	4120	494	66	/	①



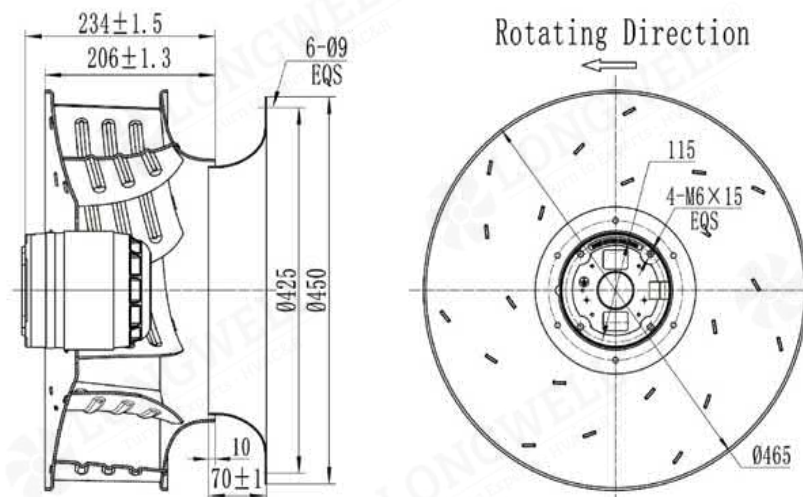
### Product Characteristic

- Impeller Material: Aluminum Alloy
- Direction of Rotation: Clockwise, seen on rotor
- Mode of Operation: S1
- Operation Temperature: -40°C ~ +65°C
- Type of Protection: IP54
- Insulation Class: F
- Bearing: Maintenance-free ball bearings

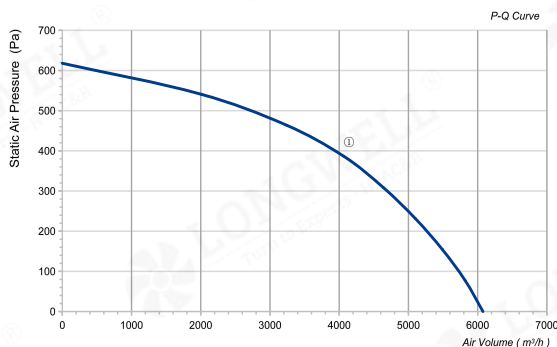


### Technical Specifications

Model	Voltage (V)	Frequency (Hz)	Power (W)	Current (A)	Speed (RPM)	Air Flow (m³/h)	Air Pressure (Pa)	Noise [dB(A)]	Capacitor	Curve
LWBA4D450-138NT-09	380	50	616	1.42	1395	6164	630	78.8	/	



## LWBA-450 Series



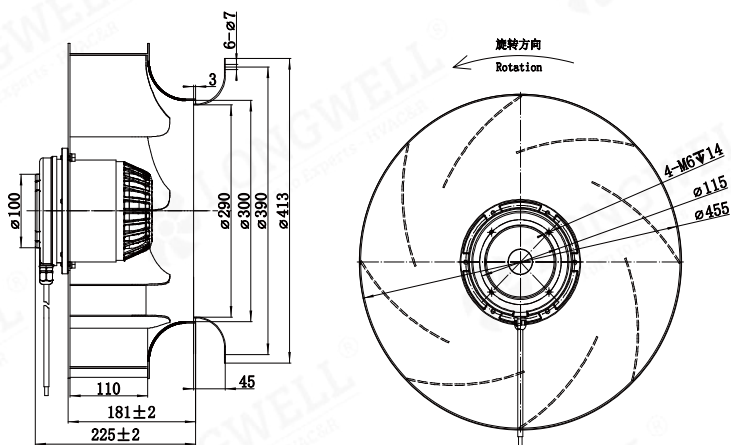
### Product Characteristic

- Impeller Material: Aluminum Alloy
- Direction of Rotation: Clockwise, seen on rotor
- Mode of Operation: S1
- Operation Temperature: -40°C ~ +65°C
- Type of Protection: IP54
- Insulation Class: F
- Bearing: Maintenance-free ball bearings

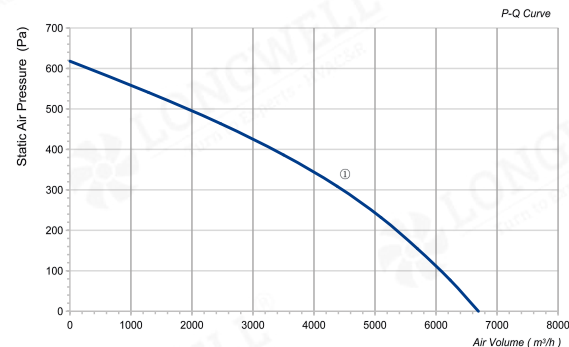


### Technical Specifications

Model	Voltage (V)	Frequency (Hz)	Power (W)	Current (A)	Speed (RPM)	Air Flow (m³/h)	Air Pressure (Pa)	Noise [dB(A)]	Capacitor	Curve
LWBA4D450-138NT-01	380	50	800	1.5	1350	6077	618	76	/	①
LWBA4E450-138NS-02	230	50	800	3.5	1350	6077	618	76	16uF	①



## LWBA-450 Series



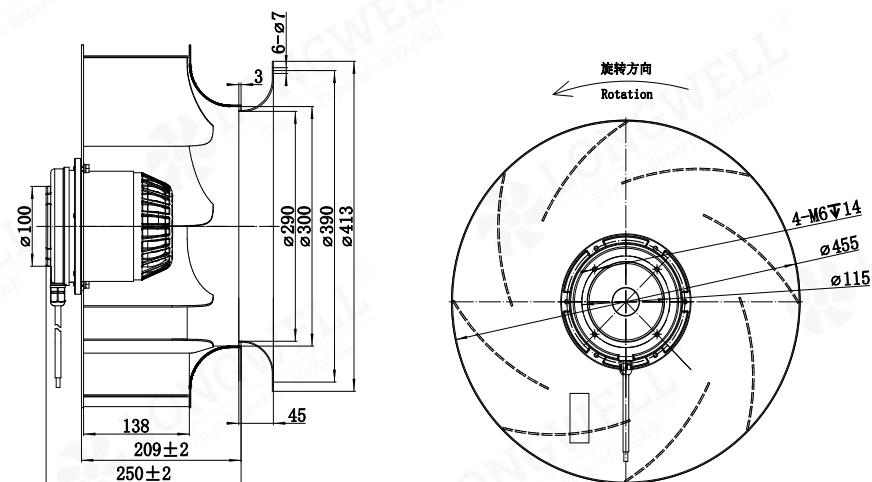
### Product Characteristic

- Impeller Material: Aluminum Alloy
- Direction of Rotation: Clockwise, seen on rotor
- Mode of Operation: S1
- Operation Temperature: -40°C ~ +65°C
- Type of Protection: IP54
- Insulation Class: F
- Bearing: Maintenance-free ball bearings

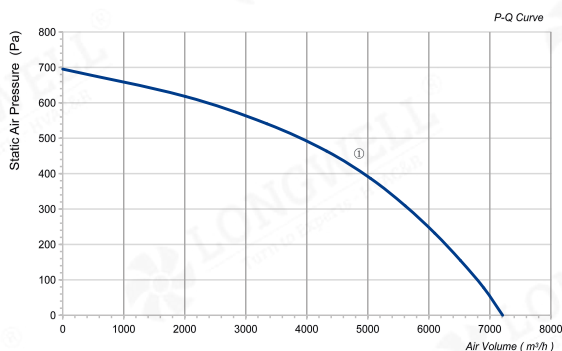


### Technical Specifications

Model	Voltage (V)	Frequency (Hz)	Power (W)	Current (A)	Speed (RPM)	Air Flow (m³/h)	Air Pressure (Pa)	Noise [dB(A)]	Capacitor	Curve
LWBA4D450-188NT-03	380	50	800	1.5	1350	6695	618	79	/	①



## LWBA-450 Series



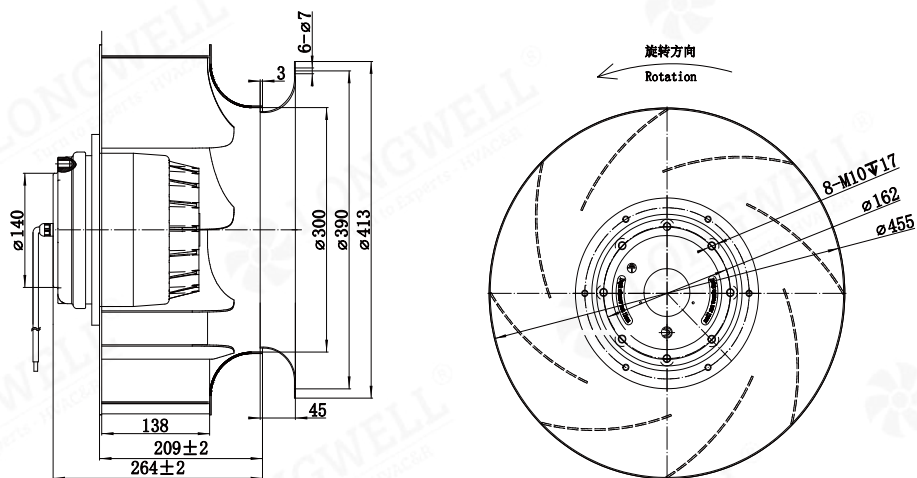
### Product Characteristic

- Impeller Material: Aluminum Alloy
- Direction of Rotation: Clockwise, seen on rotor
- Mode of Operation: S1
- Operation Temperature: -40°C ~ +65°C
- Type of Protection: IP54
- Insulation Class: F
- Bearing: Maintenance-free ball bearings

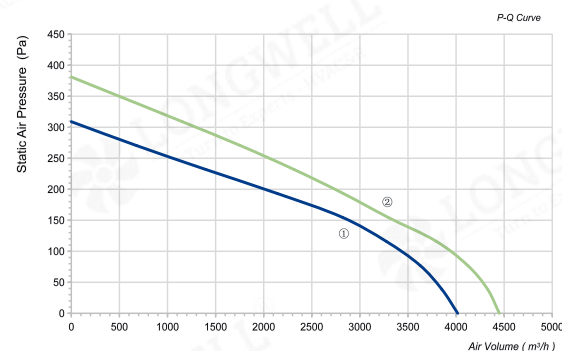


### Technical Specifications

Model	Voltage (V)	Frequency (Hz)	Power (W)	Current (A)	Speed (RPM)	Air Flow (m³/h)	Air Pressure (Pa)	Noise [dB(A)]	Capacitor	Curve
LWBA4D450-188NT-04	380	50	1100	2.5	1400	7210	695	82	/	①



## LWBA-450 Series



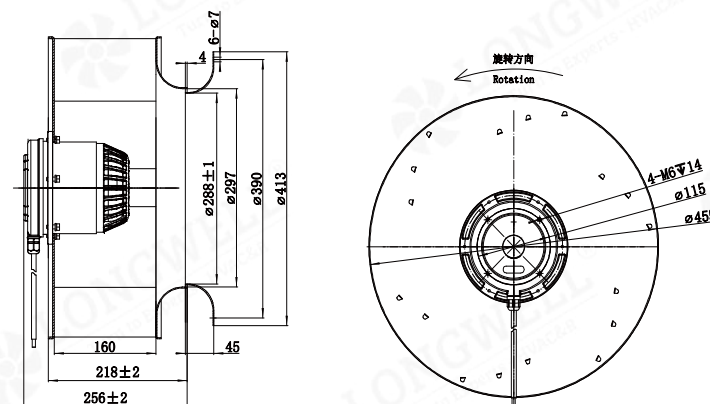
### Product Characteristic

- Impeller Material: Aluminum Alloy
- Direction of Rotation: Clockwise, seen on rotor
- Mode of Operation: S1
- Operation Temperature: -40°C ~ +65°C
- Type of Protection: IP54
- Insulation Class: F
- Bearing: Maintenance-free ball bearings

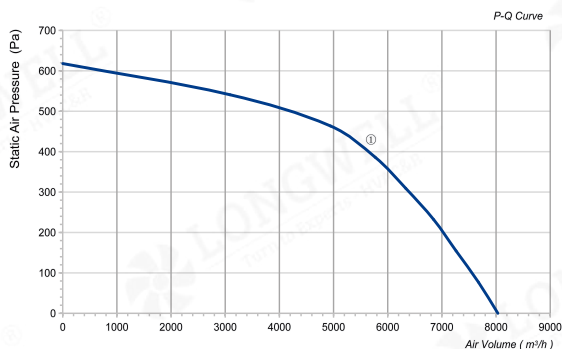


### Technical Specifications

Model	Voltage (V)	Frequency (Hz)	Power (W)	Current (A)	Speed (RPM)	Air Flow (m³/h)	Air Pressure (Pa)	Noise [dB(A)]	Capacitor	Curve
LWBA6E450-138NS-05	230	50	260	1.3	930	4017	309	60	10uF	①
LWBA6E450-138NS-06	230	60	350	1.6	1050	4450	381	61	10uF	②
LWBA6D450-138NT-07	380	50	300	1	920	4017	309	60	/	①
LWBA4D450-138NT-08	380	60	360	1.2	1050	4450	381	61	/	②



## LWBA-500 Series



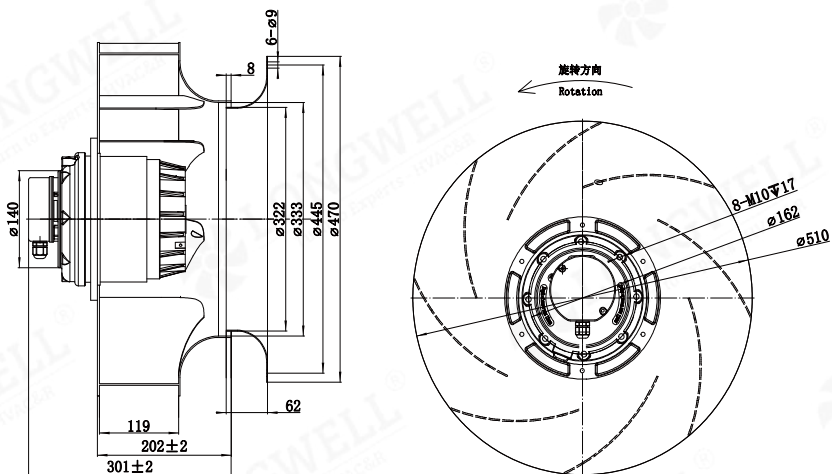
### Product Characteristic

- Impeller Material: Aluminum Alloy
- Direction of Rotation: Clockwise, seen on rotor
- Mode of Operation: S1
- Operation Temperature: -40°C ~ +65°C
- Type of Protection: IP54
- Insulation Class: F
- Bearing: Maintenance-free ball bearings

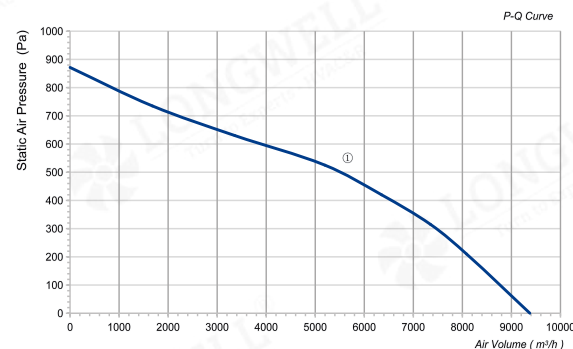


### Technical Specifications

Model	Voltage (V)	Frequency (Hz)	Power (W)	Current (A)	Speed (RPM)	Air Flow (m³/h)	Air Pressure (Pa)	Noise [dB(A)]	Capacitor	Curve
LWBA4D500-188NT-01	380	50	1000	2.1	1350	8034	618	79	/	①



## LWBA-500 Series



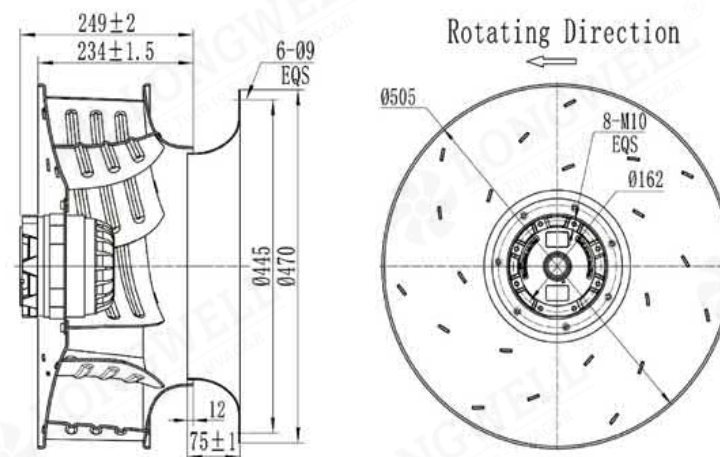
### Product Characteristic

- Impeller Material: Aluminum Alloy
- Direction of Rotation: Clockwise, seen on rotor
- Mode of Operation: S1
- Operation Temperature: -40°C ~ +65°C
- Type of Protection: IP54
- Insulation Class: F
- Bearing: Maintenance-free ball bearings

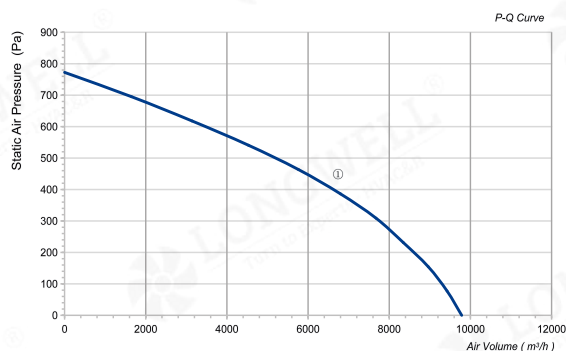


### Technical Specifications

Model	Voltage (V)	Frequency (Hz)	Power (W)	Current (A)	Speed (RPM)	Air Flow (m³/h)	Air Pressure (Pa)	Noise [dB(A)]	Capacitor	Curve
LWBA4D500-188NT-05	380	50	1300	2.6	1350	9377	872	81.9	/	①



## LWBA-500 Series



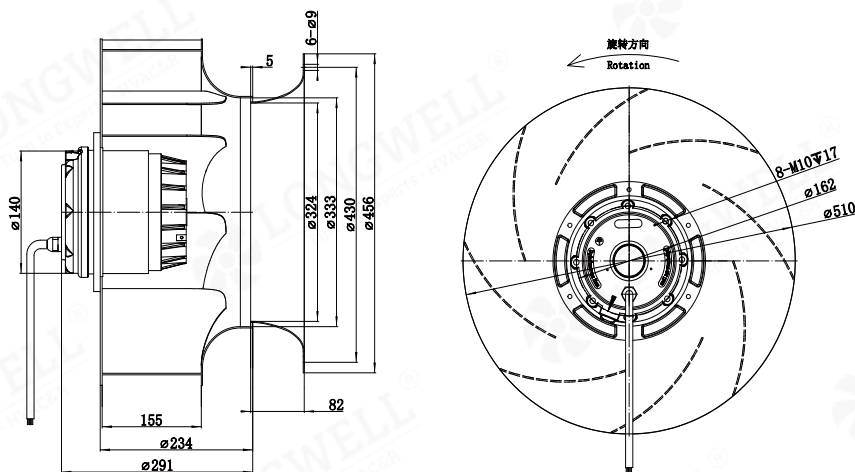
### Product Characteristic

- Impeller Material: Aluminum Alloy
- Direction of Rotation: Clockwise, seen on rotor
- Mode of Operation: S1
- Operation Temperature: -40°C ~ +65°C
- Type of Protection: IP54
- Insulation Class: F
- Bearing: Maintenance-free ball bearings

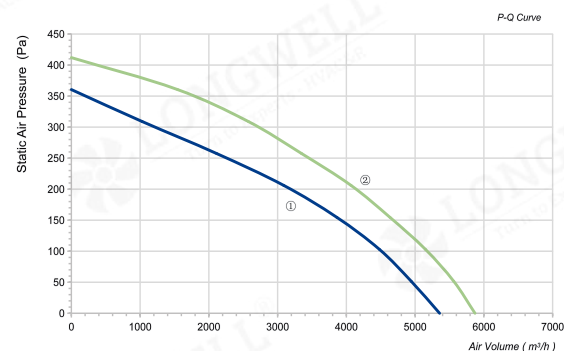


### Technical Specifications

Model	Voltage (V)	Frequency (Hz)	Power (W)	Current (A)	Speed (RPM)	Air Flow (m³/h)	Air Pressure (Pa)	Noise [dB(A)]	Capacitor	Curve
LWBA4D500-188NT-02	380	50	1500	2.6	1400	9785	773	80	/	①



## LWBA-500 Series



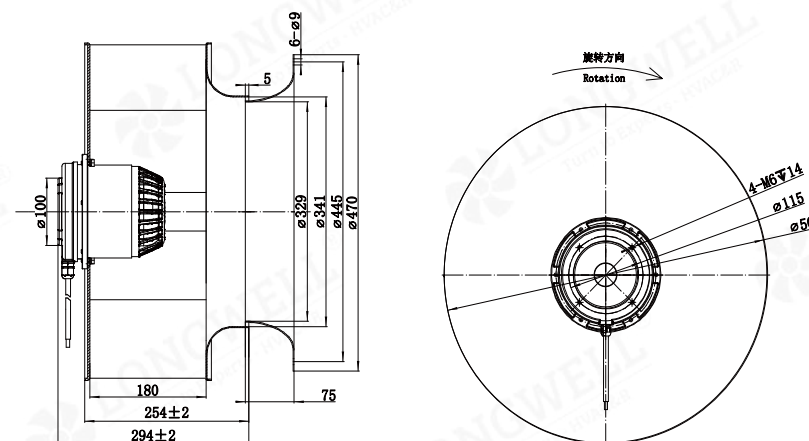
### Product Characteristic

- Impeller Material: Aluminum Alloy
- Direction of Rotation: Clockwise, seen on rotor
- Mode of Operation: S1
- Operation Temperature: -40°C ~ +65°C
- Type of Protection: IP54
- Insulation Class: F
- Bearing: Maintenance-free ball bearings

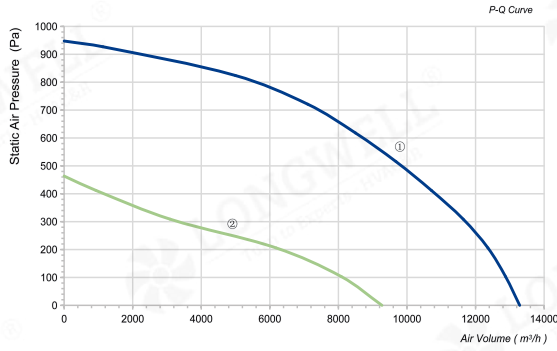


### Technical Specifications

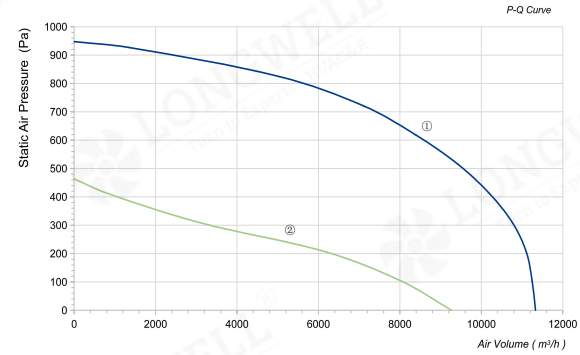
Model	Voltage (V)	Frequency (Hz)	Power (W)	Current (A)	Speed (RPM)	Air Flow (m³/h)	Air Pressure (Pa)	Noise [dB(A)]	Capacitor	Curve
LWBA6D500-138NT-03	380	50	450	1.25	950	5356	361	63	/	①
LWBA6D500-138NT-04	380	60	550	1.4	1050	5871	412	65	/	②



# LWBA-560 Series



# LWBA-560 Series



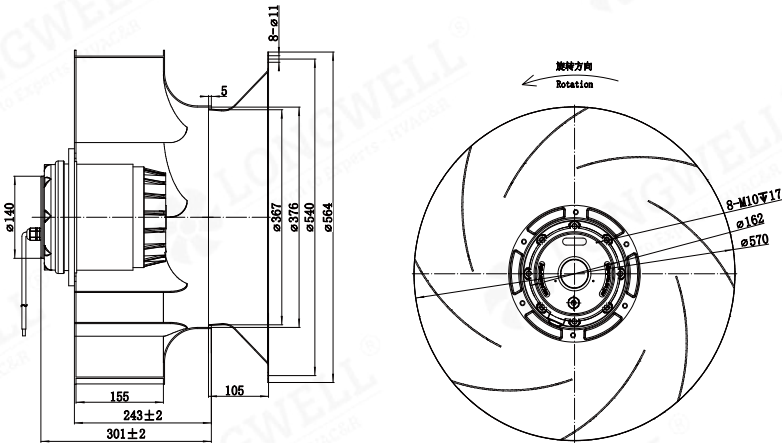
## Product Characteristic

- Impeller Material: Aluminum Alloy
- Direction of Rotation: Clockwise, seen on rotor
- Mode of Operation: S1
- Operation Temperature: -40°C ~ +65°C
- Type of Protection: IP54
- Insulation Class: F
- Bearing: Maintenance-free ball bearings



## Technical Specifications

Model	Voltage (V)	Frequency (Hz)	Power (W)	Current (A)	Speed (RPM)	Air Flow (m³/h)	Air Pressure (Pa)	Noise [dB(A)]	Capacitor	Curve
LWBA4D560-188NT-01	380	50	2500	4.5	1340	13287	948	85	/	①
LWBA6D560-188NT-02	380	50	900	1.8	910	9270	464	73	/	②



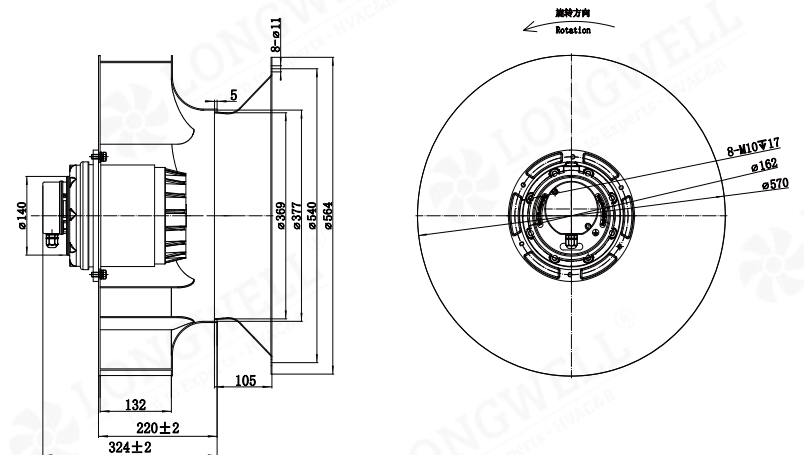
## Product Characteristic

- Impeller Material: Aluminum Alloy
- Direction of Rotation: Clockwise, seen on rotor
- Mode of Operation: S1
- Operation Temperature: -40°C ~ +65°C
- Type of Protection: IP54
- Insulation Class: F
- Bearing: Maintenance-free ball bearings

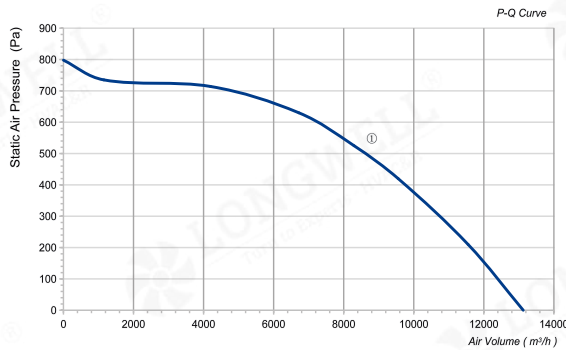


## Technical Specifications

Model	Voltage (V)	Frequency (Hz)	Power (W)	Current (A)	Speed (RPM)	Air Flow (m³/h)	Air Pressure (Pa)	Noise [dB(A)]	Capacitor	Curve
LWBA4D560-188NT-03	380	50	2500	4.5	1350	11330	948	85	/	①
LWBA6D560-188NT-04	380	50	900	1.8	910	9270	464	73	/	②



## LWBA-560 Series



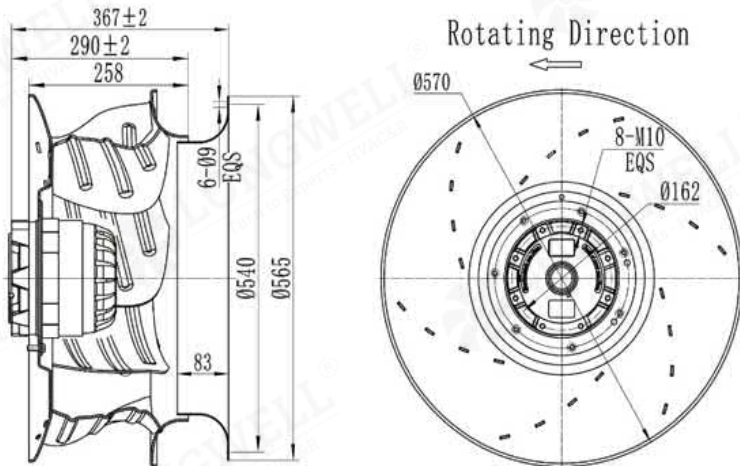
### Product Characteristic

- Impeller Material: Aluminum Alloy
- Direction of Rotation: Clockwise, seen on rotor
- Mode of Operation: S1
- Operation Temperature: -40°C ~ +65°C
- Type of Protection: IP54
- Insulation Class: F
- Bearing: Maintenance-free ball bearings

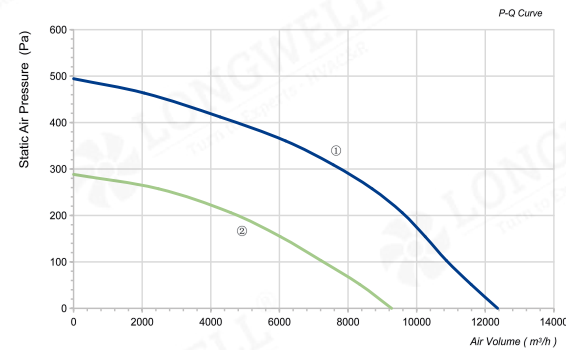


### Technical Specifications

Model	Voltage (V)	Frequency (Hz)	Power (W)	Current (A)	Speed (RPM)	Air Flow (m³/h)	Air Pressure (Pa)	Noise [dB(A)]	Capacitor	Curve
LWBA4D560-188NT-05	380	50	1980	3.5	1350	13125	798	83.9	/	①



## LWBA-630 Series



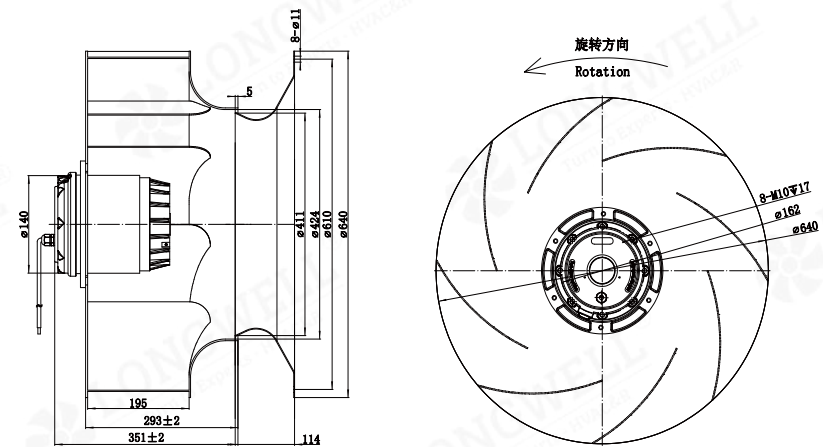
### Product Characteristic

- Impeller Material: Aluminum Alloy
- Direction of Rotation: Clockwise, seen on rotor
- Mode of Operation: S1
- Operation Temperature: -40°C ~ +65°C
- Type of Protection: IP54
- Insulation Class: F
- Bearing: Maintenance-free ball bearings

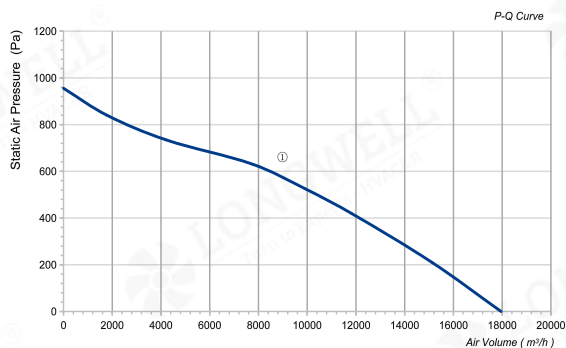


### Technical Specifications

Model	Voltage (V)	Frequency (Hz)	Power (W)	Current (A)	Speed (RPM)	Air Flow (m³/h)	Air Pressure (Pa)	Noise [dB(A)]	Capacitor	Curve
LWBA6D630-188NT-01	380	50	1500	3.8	900	12360	494	80	/	①
LWBA8D630-188NT-02	380	50	700	1.7	700	9270	288	72	/	②



# LWBA-630 Series



## Product Characteristic

- Impeller Material: Aluminum Alloy
- Direction of Rotation: Clockwise, seen on rotor
- Mode of Operation: S1
- Operation Temperature: -40°C ~ +65°C
- Type of Protection: IP54
- Insulation Class: F
- Bearing: Maintenance-free ball bearings



## Technical Specifications

Model	Voltage (V)	Frequency (Hz)	Power (W)	Current (A)	Speed (RPM)	Air Flow (m³/h)	Air Pressure (Pa)	Noise [dB(A)]	Capacitor	Curve
LWBA4D630-188NT-03	380	50	3320	5.87	1210	17955	956	86.9	/	①

