

Delivery Premium Quality Fans Globally for Healthier Breathing

World's Largest Selection of Fan Products
World's Most Comprehensive Fan Solutions



Ningbo Longwell Electric Technology Co., Ltd

Headquarter: NO.100, South of Xuxiang River, Yuyao, Zhejiang Province, China 315400

Tell: +86 574 6218 9863

Fax: +86 574 6218 9863

Phone: 0086 183 5827 4663

Web: www.longwellfans.com | www.longwell-group.com | www.longwell-media.com

Email: sales@zjlongwell.com



LONGWELL TECHNOLOGY

"Born for High-Quality Breathing
LONGWELL Fans Power Your Equipments"



**Professional Manufacturer
of HVACR Fan & Motors**

— DC Backward curved Centrifugal Fan

Longwell Group

Longwell-China

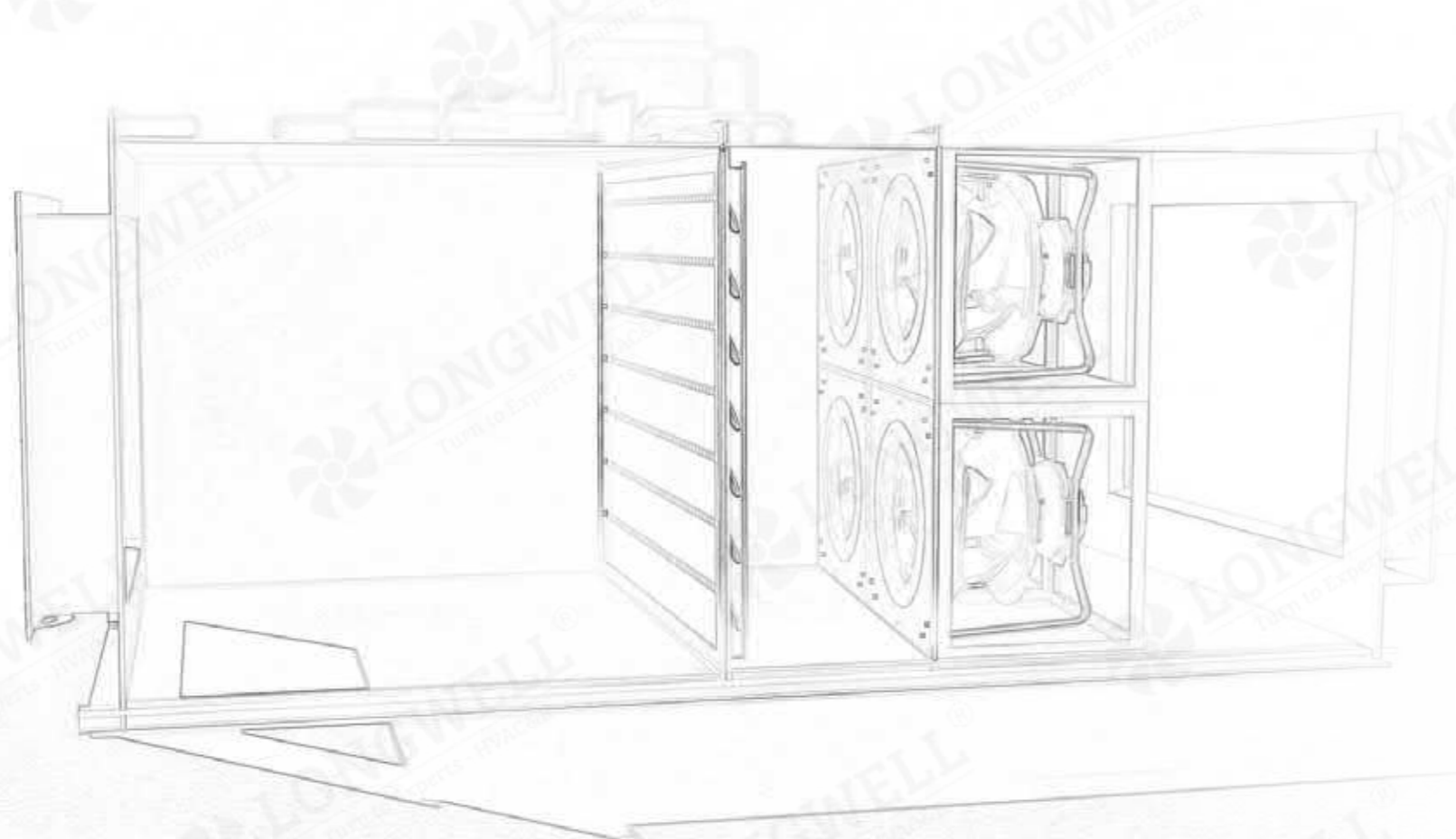
Longwell-USA

Longwell-Russia

Longwell-Europe



CATALOGUE



01-02

About Longwell

03-04

Testing and Standards

05-06

Mainly Application

07

Type Code

08-19

DC Backward curved
Centrifugal Fan(Φ133-Φ250)

20-27

AC Dual Inlet Forward
Centrifugal Blower(Φ280-Φ400)

About Longwell

Born for High-Quality Breathing, LONGWELL Fans Power Your Equipment

OEM for Well-Known Brands

Supplies Fortune 500 Companies

Global Technical Support

LONGWELL is a leading fan manufacturer, specializing in high-quality fans, blowers, motors, and components for heating, ventilation, air conditioning, and refrigeration applications. We have a strong presence in delivery capabilities, design and R&D capabilities, as well as manufacturing, placing us at the forefront of the industry.

Our product range includes EC/DC/AC centrifugal fans, axial fans, AC/BLDC cross-flow fans, single/double forward curved fans, AC/BLDC/ECM motors, and industrial fan blowers. Since our establishment in 1990, we have continuously upgraded our facilities and production capacity, boasting advanced testing labs and production facilities with an annual capacity of millions of fans. With over 20 years of experience, we are highly skilled in the design, development, and manufacture of fans and motors. We export to over 30 countries and serve numerous Fortune 500 clients.

Our facilities and products are compliant with certifications such as ISO9001, ISO14001, BSCI, CE, UL/ETL, CCC, EMC, and LVD. These certifications demonstrate our compliance in quality management, environmental management, social responsibility, and product safety. We are quality-oriented and dedicated to providing products and services that meet international standards.

Equipped with advanced testing labs and production facilities, including a B&K noise lab, CFD simulation lab, air dynamics test chambers, automatic welding machines, CNC machining centers, and auto robot injection machines, we ensure efficient production and on-time delivery.

As industry leaders, we prioritize technological innovation and efficiency. We employ advanced technologies such as aerodynamics principles and CFD simulation to ensure precise and efficient fan designs. Additionally, we offer customized services to design and manufacture fan systems according to specific customer requirements. Our focus is on providing high-tech, high-efficiency products that meet our customers' needs and contribute to a better future.

At LONGWELL, innovation is at the core of our operations, driving continuous improvement. With our extensive experience and expertise, we can quickly customize solutions that meet customer needs. We emphasize technological sophistication, utilizing advanced technologies and high-performance materials to deliver products that are efficient, safe, and reliable. Our brand is widely recognized globally, and we are committed to promoting sustainable development and advancing the efficient fan industry.

LONGWELL looks forward to collaborating with you and providing high-quality customized fan and motor solutions. Please feel free to contact us as we work together to create a brighter future.



B&K Noise Testing Lab



Production Line



Automatic Welding



Balance Machine



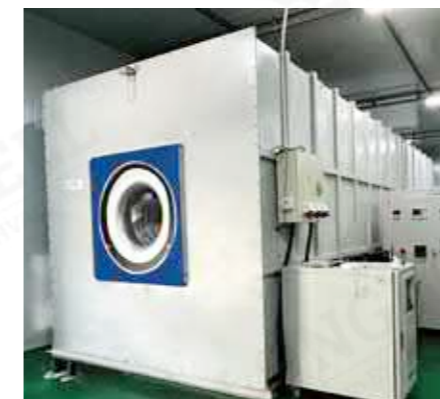
Automatic Welding Machine



Production Line - Centrifugal Fan



Automatic CNC machine



Air Dynamic Test Lab



Production Line - Axial Fans



Production Line

193

Staff

40000m²

Floor Space

500⁺

Branding Clients

1 Million⁺ PCS

Annual Outputs

6

Overseas offices on spot support

50⁺

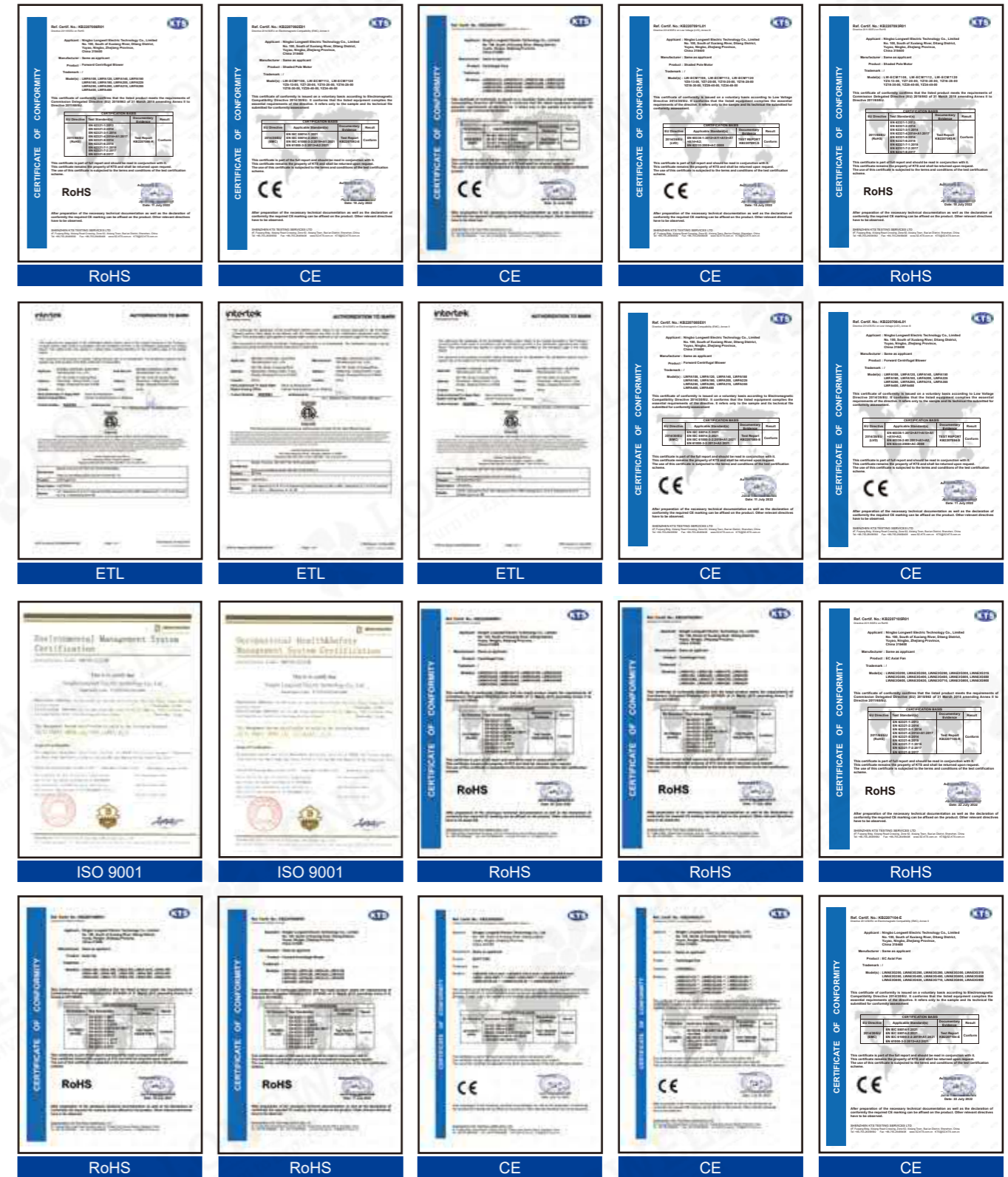
Members R&D Team

Testing and Standards

- ISO GB/T 19001-2016 idt ISO 9001:2015/GB/T 24001-2016 idt ISO 14001:2015/GB/T 45001-2020 idt ISO 45001:2018
- UL 507:2017 Ed.10+R:27/CSA C22.2#113:2018 Ed.11
- BSCI ANSI C63.4:2014/ANSI C63.4a-2017
- EN IEC 55014-1:2021/EN IEC 55014-2:2021/EN IEC 61000-3-2:2019 +A1:2021
EN 61000-3-3:2013 +A1:2019 +A2:2021 +AC:2022-01
EN 60335-2-80:2003 +A1:2004 +A2:2009;
EN 60335-1:2012 +A11:2014 +A13:2017 +A1:2019+A14:2019 +A2:2019+A15:2021
EN 62321-1:2013/EN 62321-2:2014/EN 62321-3-1:2014
EN 62321-4:2014+A1:2017/EN 62321-5:2014/EN 62321-6:2015
EN 62321-7-1:2015/EN 62321-7-2:2017/EN 62321-8:2017



Enterprise Credit Evaluation Certificate - Highest Level in China

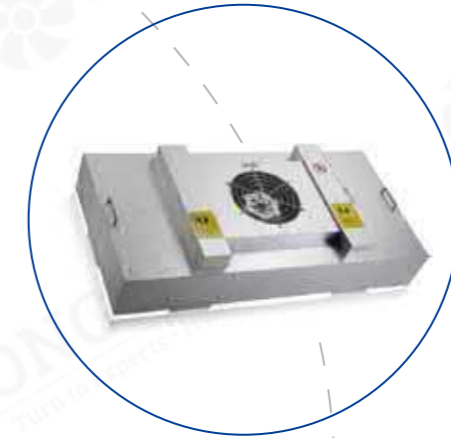


Mainly Application

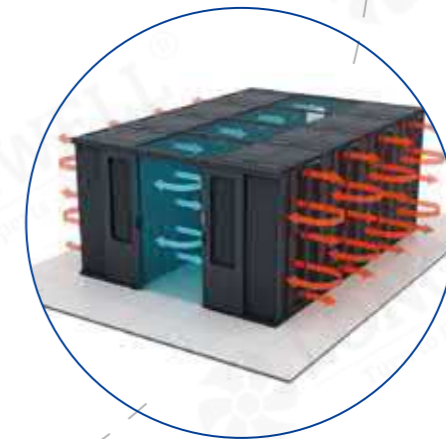
AHU/FCU/FFU/Air Purifier/ Sterilization Equipments/
Humidiifier equipments/EC Fan Grid (Wall)



Ventilation Unit Project



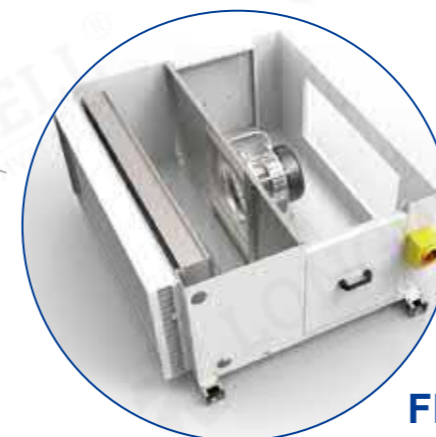
FFU(Fan Filter Unit) Project



Data Center Cooling Project



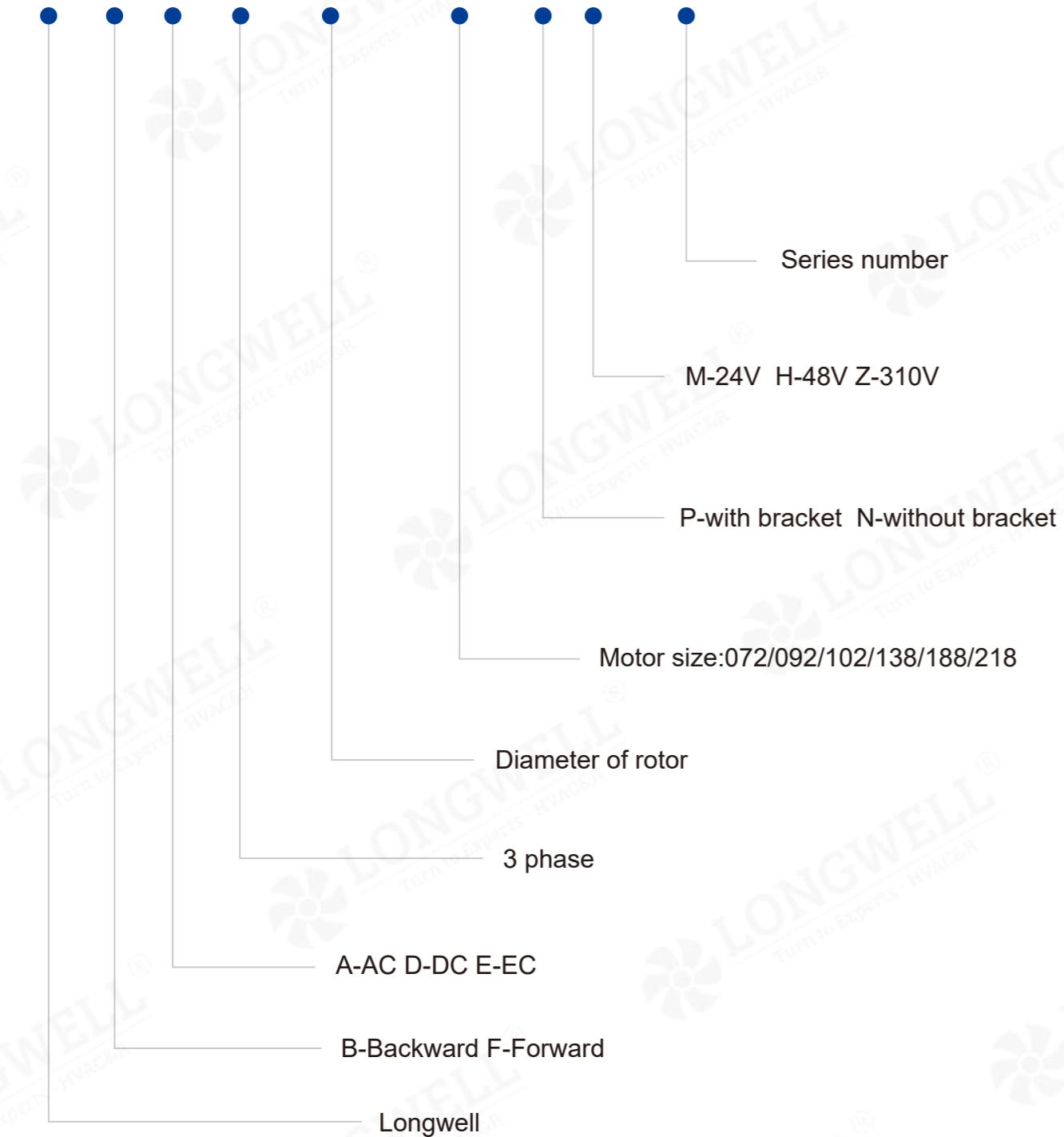
Ventilation Equipments Project



FFU(Fan Filter Unit) Project

Type Code

LW B D 3G 133 - 072 N M - 02

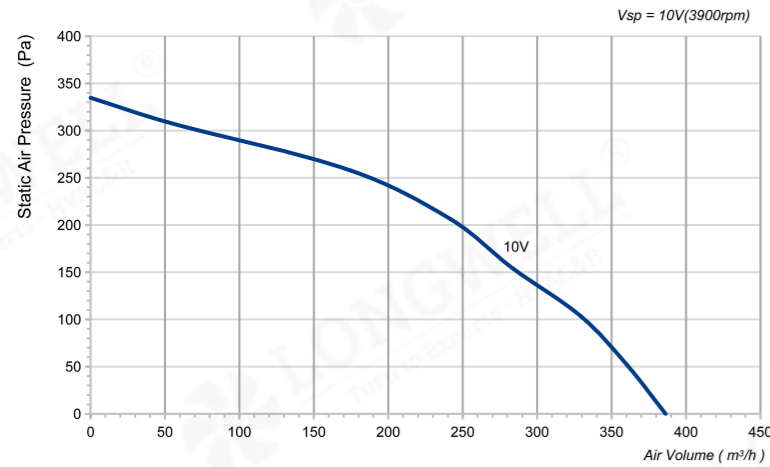


DC Backward curved Centrifugal Fan

Professional HVAC Fan & Motors Manufacturer



LWBD-133 Series



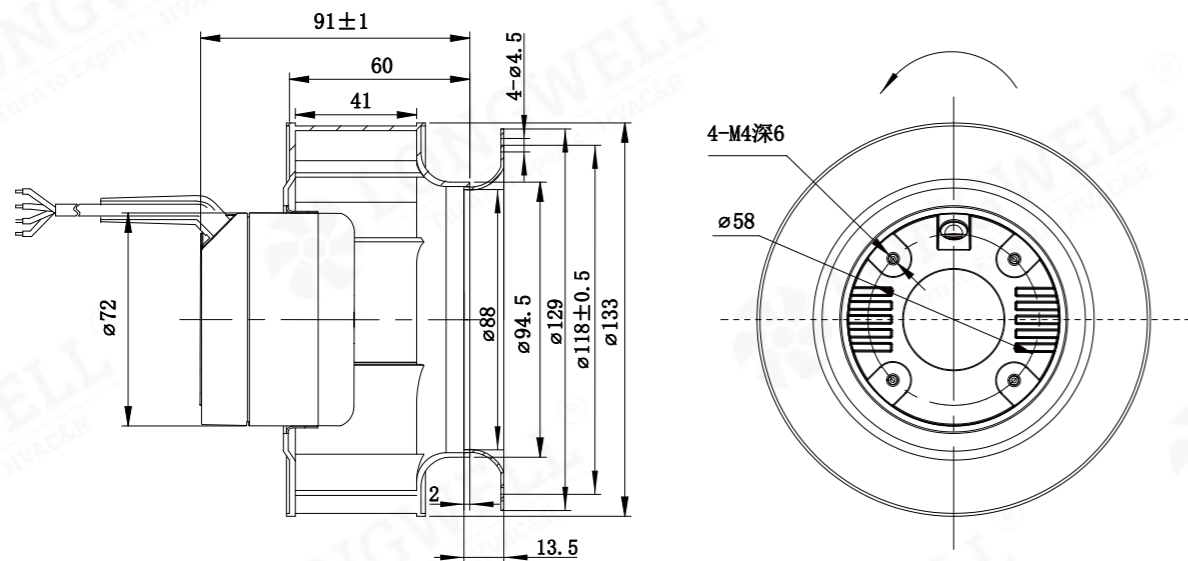
Product Characteristic

- Impeller Material: Plastic PA66+25GF
- Direction of Rotation: Clockwise, seen on rotor
- Protection Class: IP42
- Mounting Position: Horizontal or Vertical
- Bearing: Maintenance-free ball bearings
- Protection: Tach output, Locked-Rotor protection Reverse Polarity, Over-voltage protection, Soft Start
- Motor Type: BLDC
- Mode of Operation: S1
- Insulation Class: F
- Operation Temperature: -25 C ~ +60 C
- Technical Features: Control input 0-10VDC/PWM

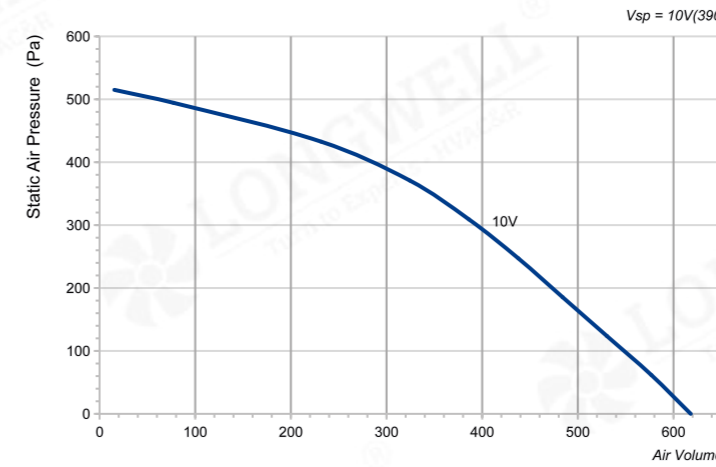


Technical Specifications

Model	Voltage (V)	Current (A)	Rated Power (W)	Speed (RPM)	Air Volume (m³/h)	Static Pressure (Pa)	Noise [dB(A)]
LWBD3G133-072NM-02	24	1.17	28	3900	386	335	65
LWBD3G133-072NH-03	48	0.58	28	3900	386	335	65



LWBD-175 Series



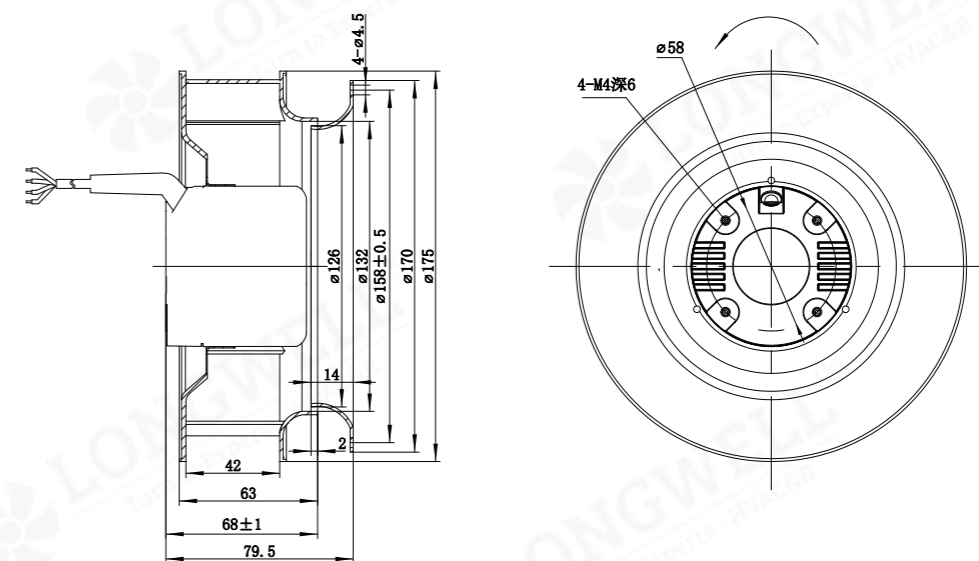
Product Characteristic

- Impeller Material: Plastic PA66+25GF
- Direction of Rotation: Clockwise, seen on rotor
- Protection Class: IP42
- Mounting Position: Horizontal or Vertical
- Bearing: Maintenance-free ball bearings
- Protection: Tach output, Locked-Rotor protection Reverse Polarity, Over-voltage protection, Soft Start
- Motor Type: BLDC
- Mode of Operation: S1
- Insulation Class: F
- Operation Temperature: -25 C ~ +60 C
- Technical Features: Control input 0-10VDC/PWM

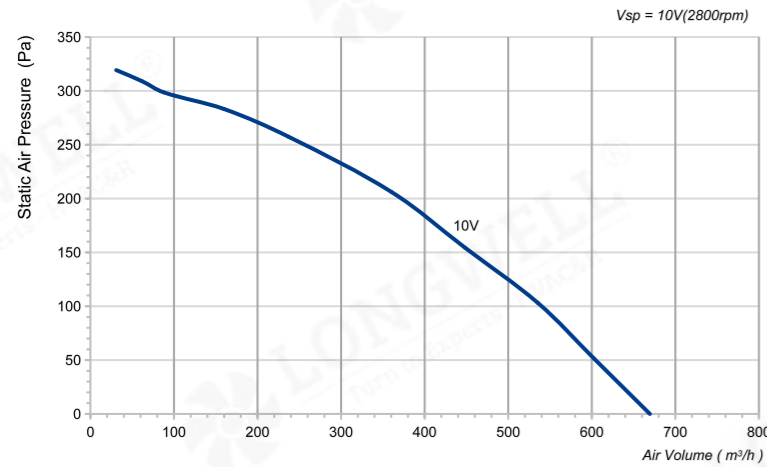


Technical Specifications

Model	Voltage (V)	Current (A)	Rated Power (W)	Speed (RPM)	Air Volume (m³/h)	Static Pressure (Pa)	Noise [dB(A)]
LWBD3G175-072NM-02	24	3.2	75	3900	618	515	71
LWBD3G175-072NH-03	48	1.5	75	3900	618	515	71



LWBD-175 Series



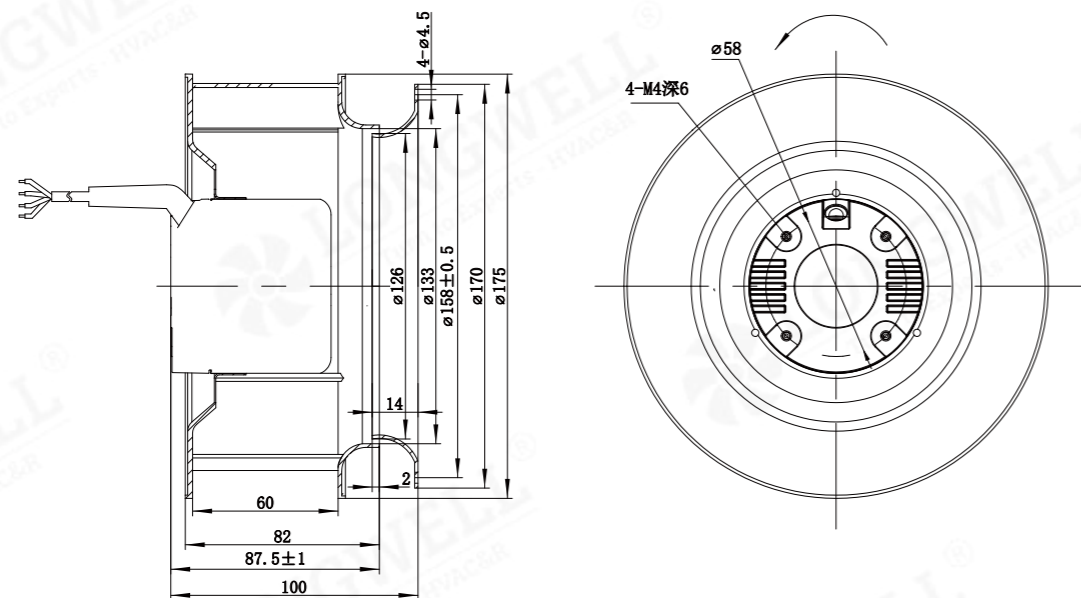
Product Characteristic

- Impeller Material: Plastic PA66+25GF
- Direction of Rotation: Clockwise, seen on rotor
- Protection Class: IP42
- Mounting Position: Horizontal or Vertical
- Bearing: Maintenance-free ball bearings
- Protection: Tach output, Locked-Rotor protection Reverse Polarity, Over-voltage protection, Soft Start
- Motor Type: BLDC
- Mode of Operation: S1
- Insulation Class: F
- Operation Temperature: -25 C ~ +60 C
- Technical Features: Control input 0-10VDC/PWM

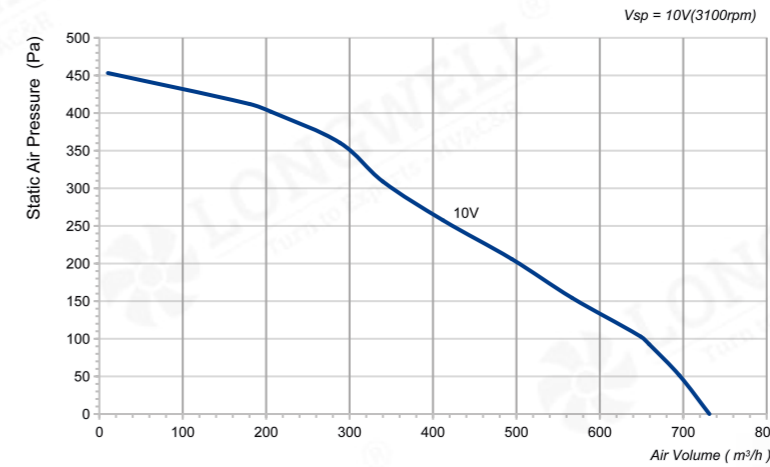


Technical Specifications

Model	Voltage (V)	Current (A)	Rated Power (W)	Speed (RPM)	Air Volume (m³/h)	Static Pressure (Pa)	Noise [dB(A)]
LWBD3G175-072NM-04	24	2.1	50	2800	670	319	68



LWBD-190 Series



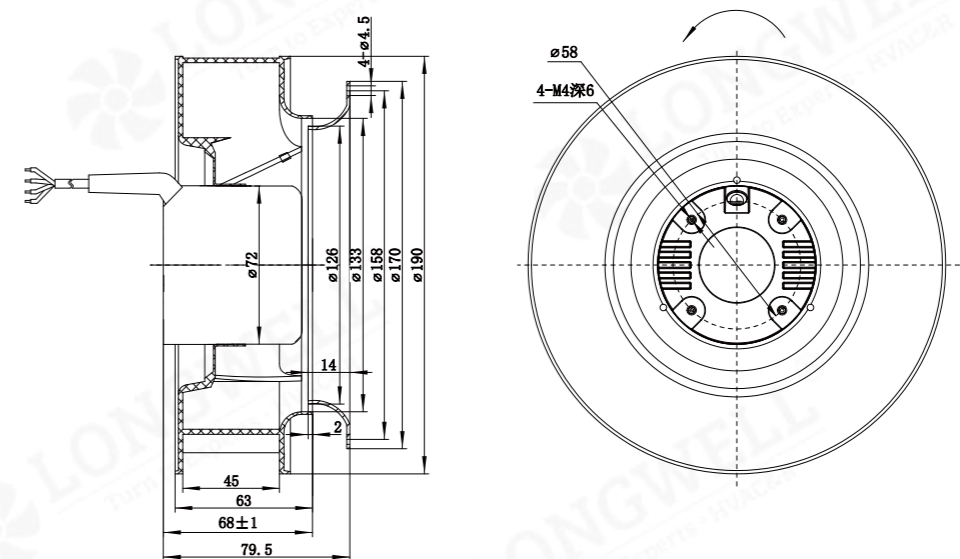
Product Characteristic

- Impeller Material: Plastic PA66+25GF
- Direction of Rotation: Clockwise, seen on rotor
- Protection Class: IP42
- Mounting Position: Horizontal or Vertical
- Bearing: Maintenance-free ball bearings
- Protection: Tach output, Locked-Rotor protection Reverse Polarity, Over-voltage protection, Soft Start
- Motor Type: BLDC
- Mode of Operation: S1
- Insulation Class: F
- Operation Temperature: -25 C ~ +60 C
- Technical Features: Control input 0-10VDC/PWM

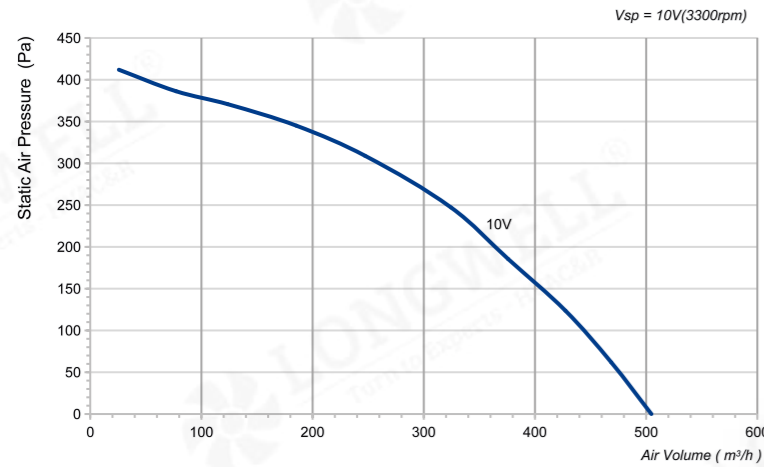


Technical Specifications

Model	Voltage (V)	Current (A)	Rated Power (W)	Speed (RPM)	Air Volume (m³/h)	Static Pressure (Pa)	Noise [dB(A)]
LWBD3G190-072NM-04	24	3.1	75	3100	731	453	70
LWBD3G190-072NH-05	48	1.6	75	3100	731	453	70



LWBD-190 Series



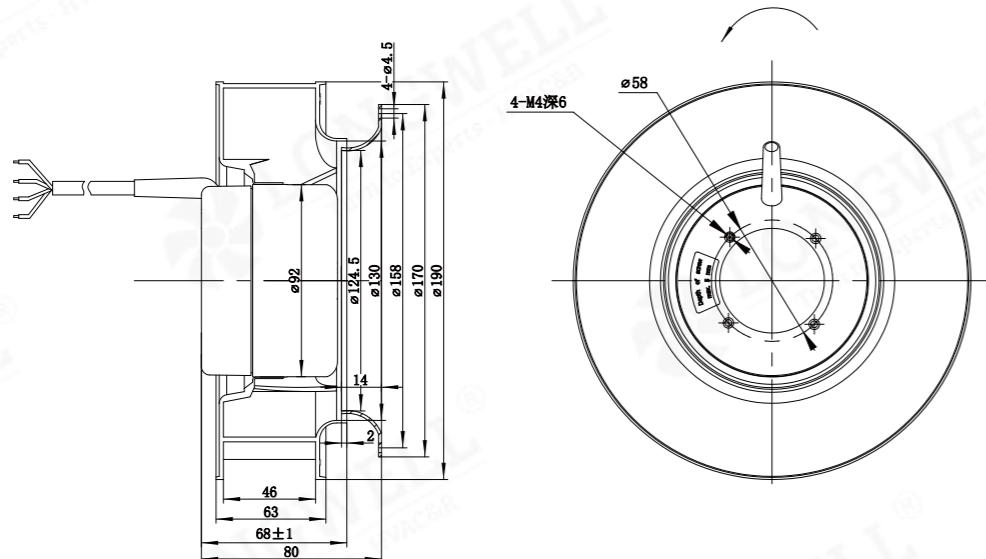
Product Characteristic

- Impeller Material: Plastic PA66+25GF
- Direction of Rotation: Clockwise, seen on rotor
- Protection Class: IP42
- Mounting Position: Horizontal or Vertical
- Bearing: Maintenance-free ball bearings
- Protection: Tach output, Locked-Rotor protection Reverse Polarity, Over-voltage protection, Soft Start
- Motor Type: BLDC
- Mode of Operation: S1
- Insulation Class: F
- Operation Temperature: -25 C ~ +60 C
- Technical Features: Control input 0-10VDC/PWM

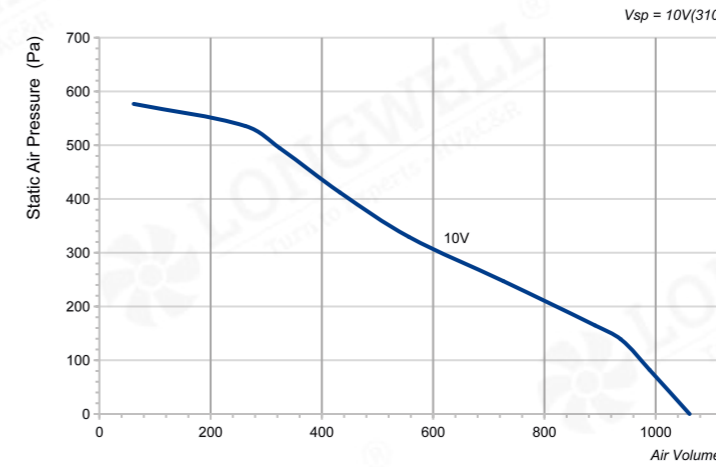


Technical Specifications

Model	Voltage (V)	Current (A)	Rated Power (W)	Speed (RPM)	Air Volume (m³/h)	Static Pressure (Pa)	Noise [dB(A)]
LWBD3G190-092NM-06	24	3.6	85	3300	505	412	73
LWBD3G190-092NH-07	48	1.8	85	3300	505	412	73



LWBD-220 Series



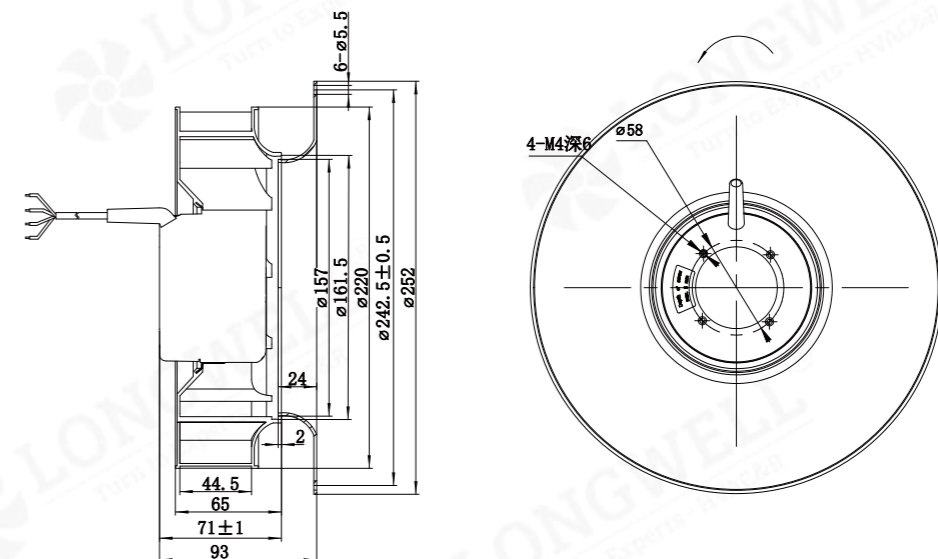
Product Characteristic

- Impeller Material: Plastic PA66+25GF
- Direction of Rotation: Clockwise, seen on rotor
- Protection Class: IP42
- Mounting Position: Horizontal or Vertical
- Bearing: Maintenance-free ball bearings
- Protection: Tach output, Locked-Rotor protection Reverse Polarity, Over-voltage protection, Soft Start
- Motor Type: BLDC
- Mode of Operation: S1
- Insulation Class: F
- Operation Temperature: -25 C ~ +60 C
- Technical Features: Control input 0-10VDC/PWM

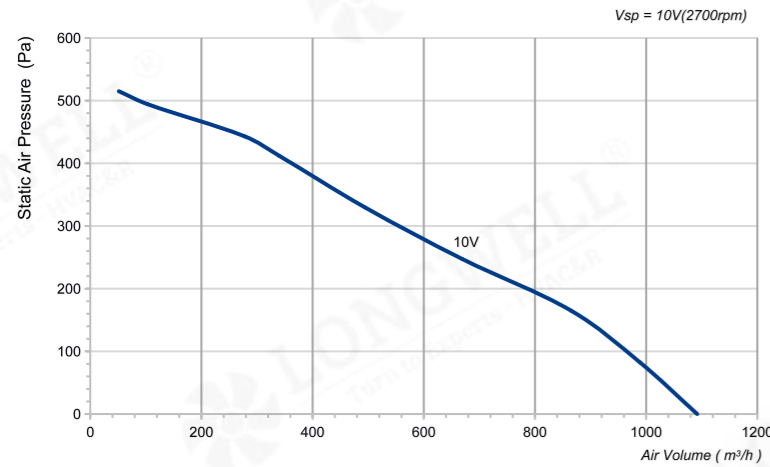


Technical Specifications

Model	Voltage (V)	Current (A)	Rated Power (W)	Speed (RPM)	Air Volume (m³/h)	Static Pressure (Pa)	Noise [dB(A)]
LWBD3G220-092NM-04	24	4.6	110	3100	1030	577	73
LWBD3G220-092NH-05	48	2.3	110	3100	1030	577	73



LWBD-225 Series



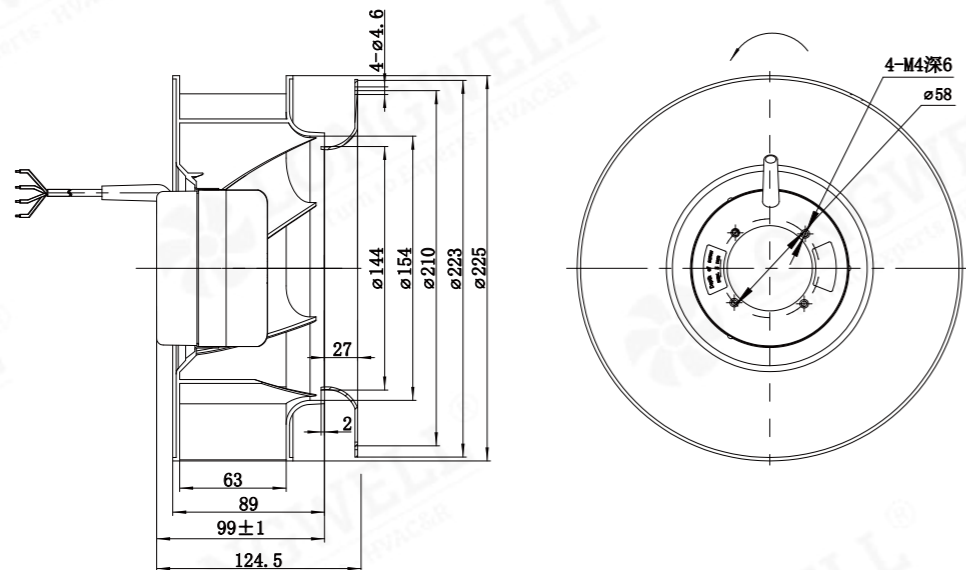
Product Characteristic

- Impeller Material: Plastic PA66+25GF
- Direction of Rotation: Clockwise, seen on rotor
- Protection Class: IP42
- Mounting Position: Horizontal or Vertical
- Bearing: Maintenance-free ball bearings
- Protection: Tach output, Locked-Rotor protection Reverse Polarity, Over-voltage protection, Soft Start
- Motor Type: BLDC
- Mode of Operation: S1
- Insulation Class: F
- Operation Temperature: -25 C ~ +60 C
- Technical Features: Control input 0-10VDC/PWM

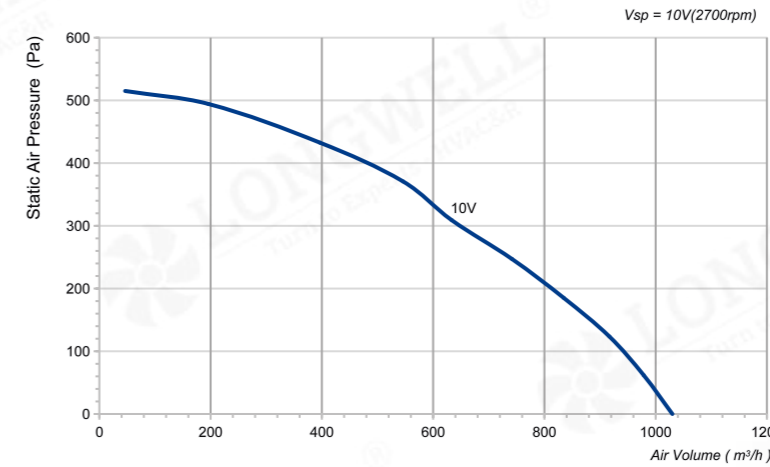


Technical Specifications

Model	Voltage (V)	Current (A)	Rated Power (W)	Speed (RPM)	Air Volume (m³/h)	Static Pressure (Pa)	Noise [dB(A)]
LWBD3G225-092NM-04	24	4.17	100	2700	1092	515	72
LWBD3G225-092NH-05	48	2.08	100	2700	1092	515	72



LWBD-225 Series



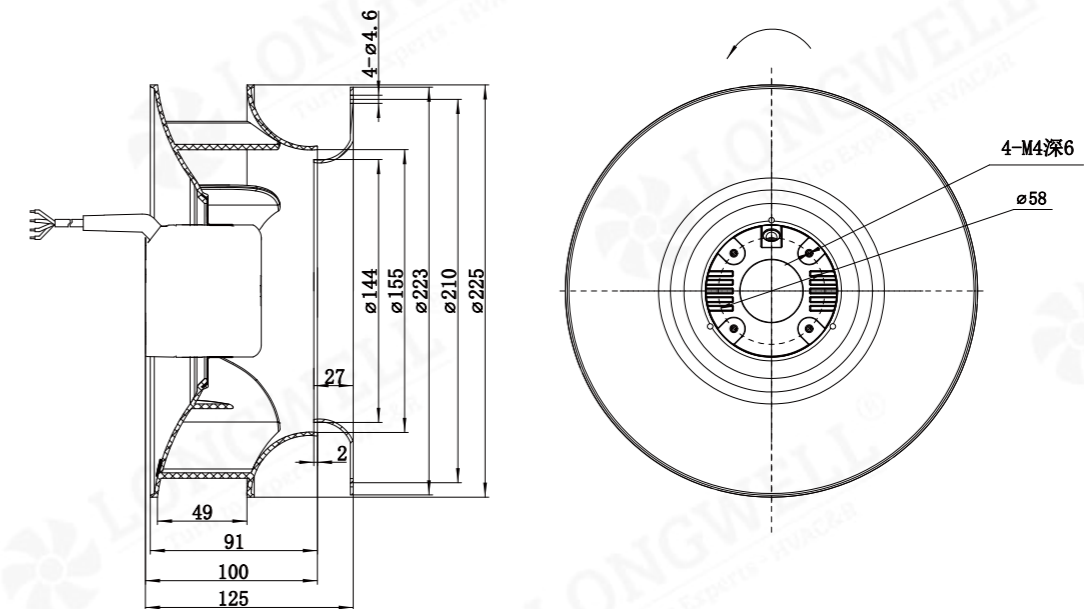
Product Characteristic

- Impeller Material: Plastic PA66+25GF
- Direction of Rotation: Clockwise, seen on rotor
- Protection Class: IP42
- Mounting Position: Horizontal or Vertical
- Bearing: Maintenance-free ball bearings
- Protection: Tach output, Locked-Rotor protection Reverse Polarity, Over-voltage protection, Soft Start
- Motor Type: BLDC
- Mode of Operation: S1
- Insulation Class: F
- Operation Temperature: -25 C ~ +60 C
- Technical Features: Control input 0-10VDC/PWM

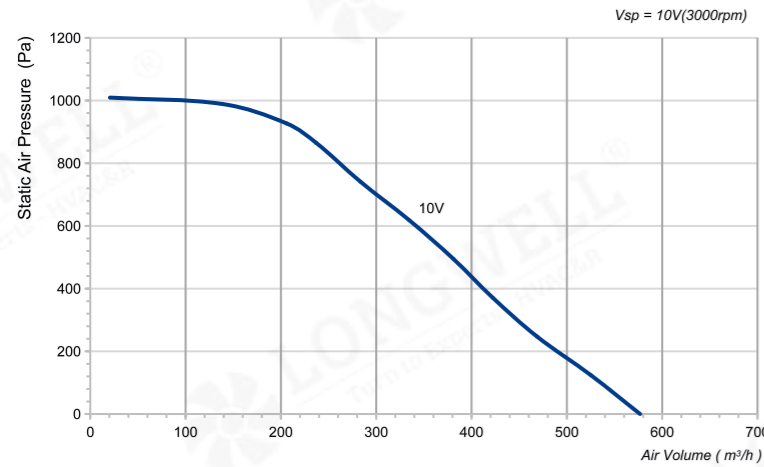


Technical Specifications

Model	Voltage (V)	Current (A)	Rated Power (W)	Speed (RPM)	Air Volume (m³/h)	Static Pressure (Pa)	Noise [dB(A)]
LWBD3G225-092NH-06	48	2.1	100	2700	1030	515	70



LWBD-250 Series



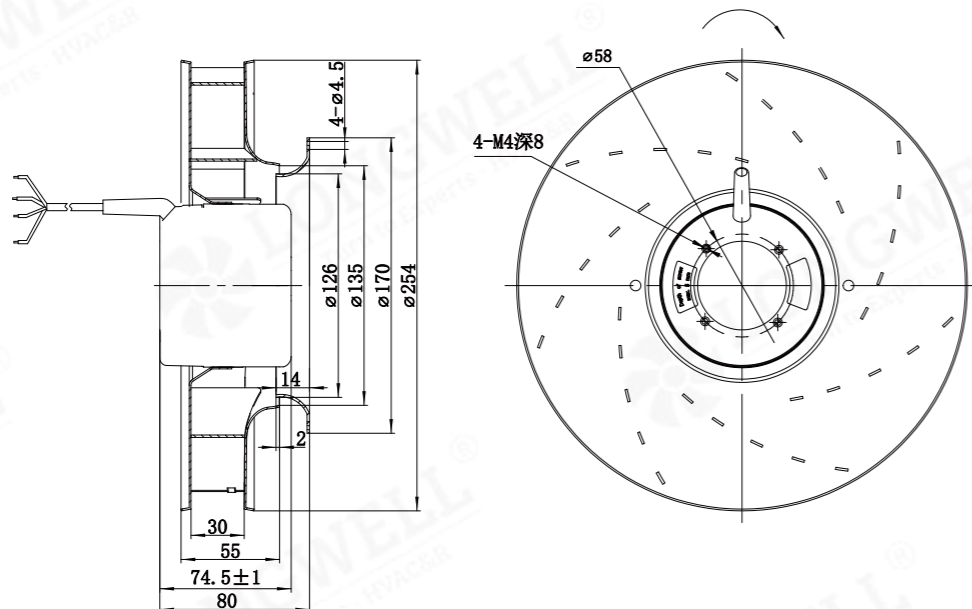
Product Characteristic

- Impeller Material: Sheet Galvanized
- Direction of Rotation: Clockwise, seen on rotor
- Protection Class: IP42
- Mounting Position: Horizontal or Vertical
- Bearing: Maintenance-free ball bearings
- Protection: Tach output, Locked-Rotor protection Reverse Polarity, Over-voltage protection, Soft Start
- Motor Type: BLDC
- Mode of Operation: S1
- Insulation Class: F
- Operation Temperature: -25 C ~ +60 C
- Technical Features: Control input 0-10VDC/PWM

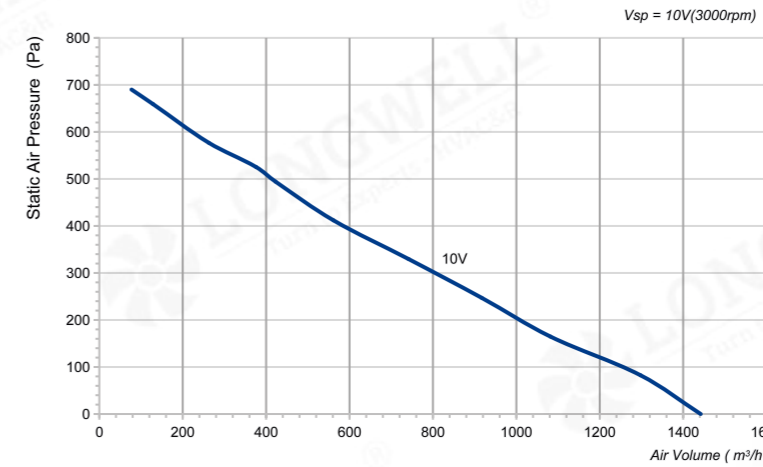


Technical Specifications

Model	Voltage (V)	Current (A)	Rated Power (W)	Speed (RPM)	Air Volume (m³/h)	Static Pressure (Pa)	Noise [dB(A)]
LWBD3G250-092NH-05	48	3.15	150	3000	577	1009	79



LWBD-250 Series



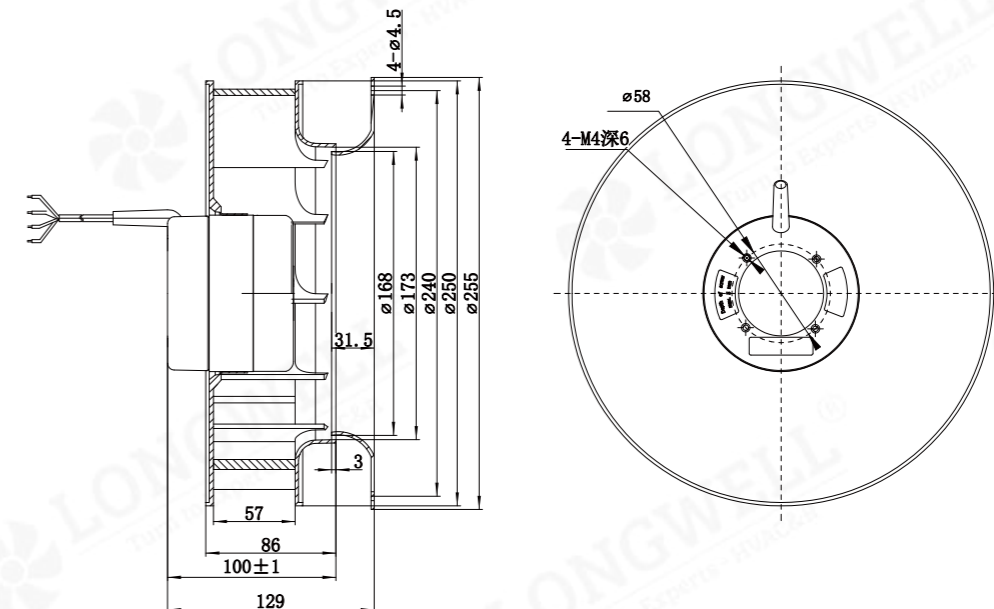
Product Characteristic

- Impeller Material: Plastic PA66+25GF
- Direction of Rotation: Clockwise, seen on rotor
- Protection Class: IP42
- Mounting Position: Horizontal or Vertical
- Bearing: Maintenance-free ball bearings
- Protection: Tach output, Locked-Rotor protection Reverse Polarity, Over-voltage protection, Soft Start
- Motor Type: BLDC
- Mode of Operation: S1
- Insulation Class: F
- Operation Temperature: -25 C ~ +60 C
- Technical Features: Control input 0-10VDC/PWM

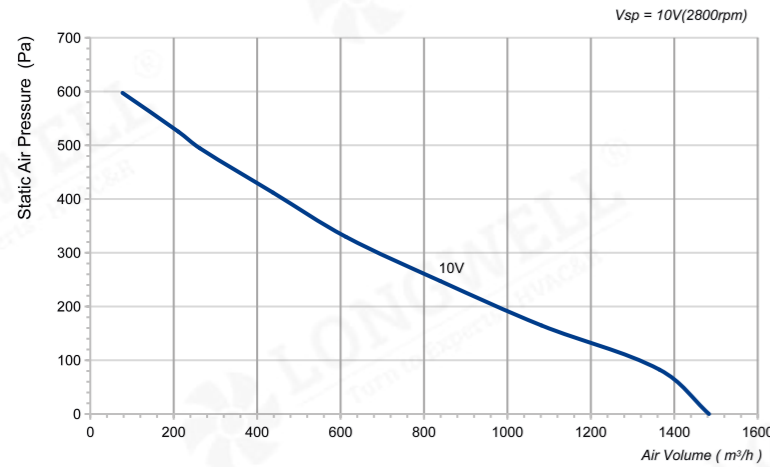


Technical Specifications

Model	Voltage (V)	Current (A)	Rated Power (W)	Speed (RPM)	Air Volume (m³/h)	Static Pressure (Pa)	Noise [dB(A)]
LWBD3G250-092NH-06	48	3.33	160	3000	1442	690	79



LWBD-250 Series



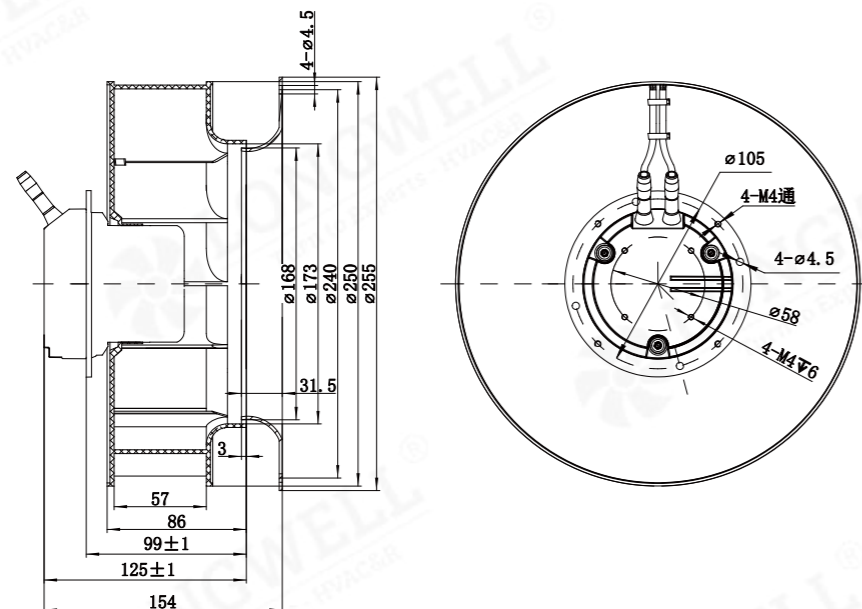
Product Characteristic

- Impeller Material: Plastic PA66+25GF
- Direction of Rotation: Clockwise, seen on rotor
- Protection Class: IP44
- Mounting Position: Horizontal or Vertical
- Bearing: Maintenance-free ball bearings
- Protection: Tach output, Locked-Rotor protection Reverse Polarity, Over-voltage protection, Soft Start
- Motor Type: BLDC
- Mode of Operation: S1
- Insulation Class: F
- Operation Temperature: -25 C ~ +60 C
- Technical Features: Control input 0-10VDC/PWM

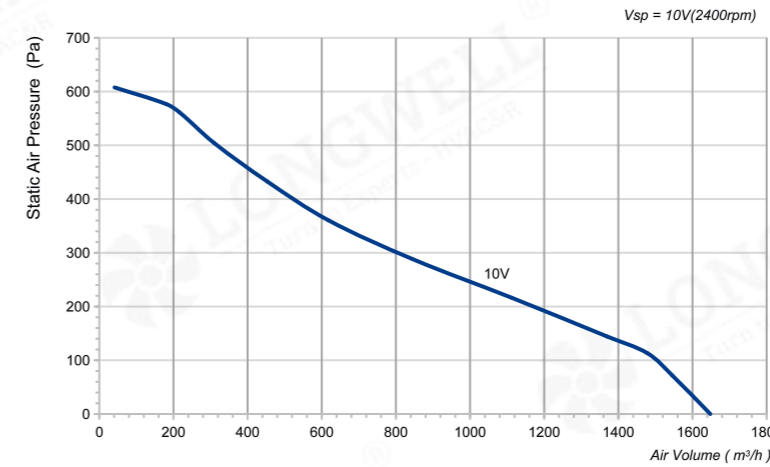


Technical Specifications

Model	Voltage (V)	Current (A)	Rated Power (W)	Speed (RPM)	Air Volume (m³/h)	Static Pressure (Pa)	Noise [dB(A)]
LWBD3G250-072NZ-07	310	0.35	110	2800	1483	597	69



LWBD-280 Series



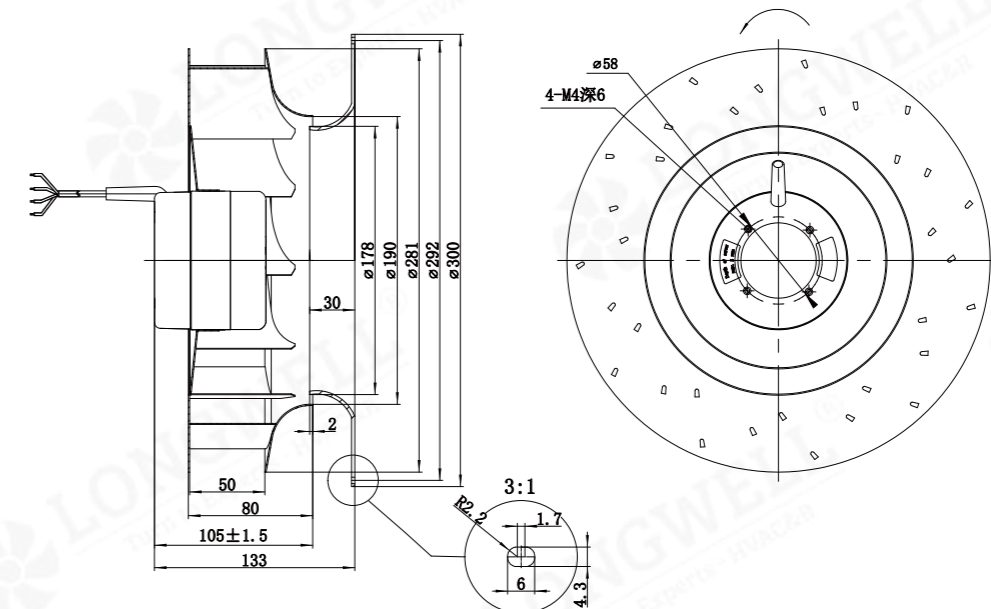
Product Characteristic

- Impeller Material: Sheet Galvanized
- Direction of Rotation: Clockwise, seen on rotor
- Protection Class: IP42
- Mounting Position: Horizontal or Vertical
- Bearing: Maintenance-free ball bearings
- Protection: Tach output, Locked-Rotor protection Reverse Polarity, Over-voltage protection, Soft Start
- Motor Type: BLDC
- Mode of Operation: S1
- Insulation Class: F
- Operation Temperature: -25 C ~ +60 C
- Technical Features: Control input 0-10VDC/PWM

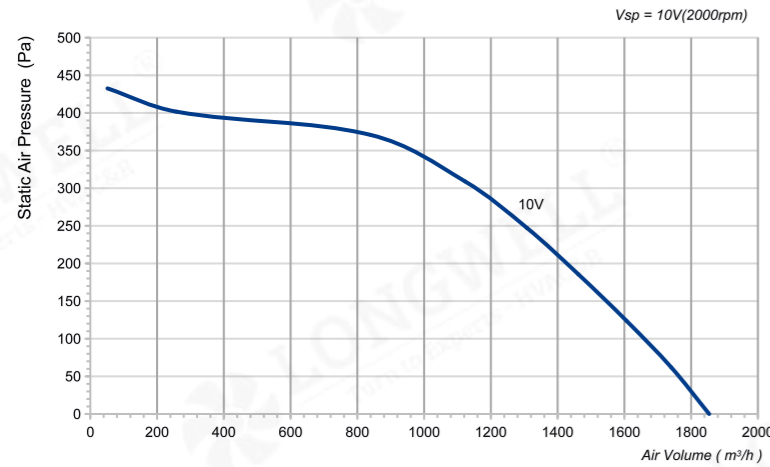


Technical Specifications

Model	Voltage (V)	Current (A)	Rated Power (W)	Speed (RPM)	Air Volume (m³/h)	Static Pressure (Pa)	Noise [dB(A)]
LWBD3G280-092NH-04	48	2.8	130	2400	1648	608	72



LWBD-280 Series



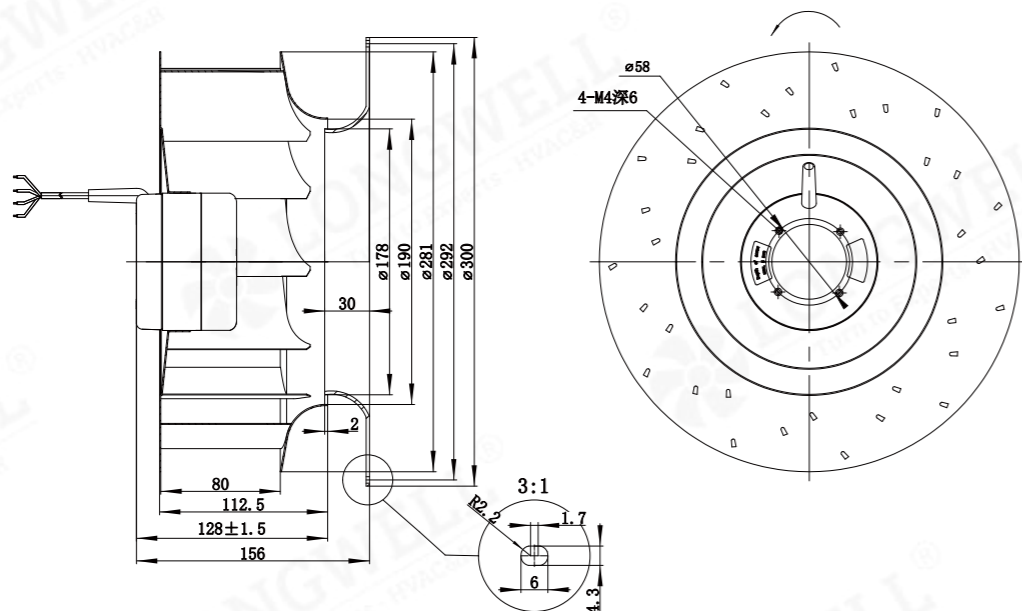
Product Characteristic

- Impeller Material: Sheet Galvanized
- Direction of Rotation: Clockwise, seen on rotor
- Protection Class: IP42
- Mounting Position: Horizontal or Vertical
- Bearing: Maintenance-free ball bearings
- Protection: Tach output, Locked-Rotor protection Reverse Polarity, Over-voltage protection, Soft Start
- Motor Type: BLDC
- Mode of Operation: S1
- Insulation Class: F
- Operation Temperature: -25 C ~ +60 C
- Technical Features: Control input 0-10VDC/PWM

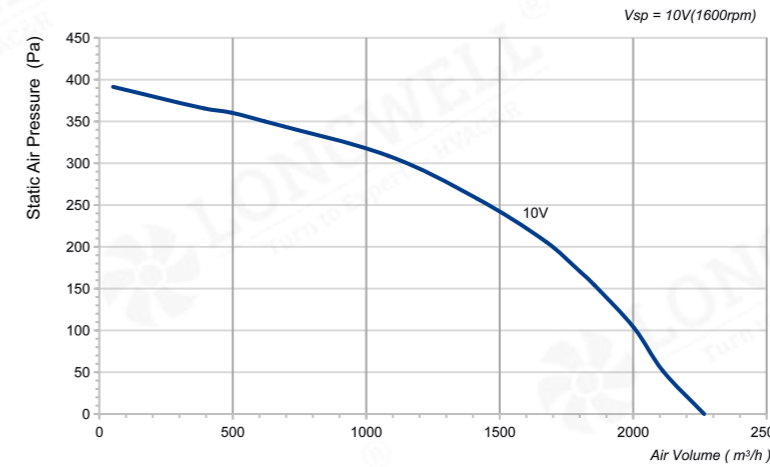


Technical Specifications

Model	Voltage (V)	Current (A)	Rated Power (W)	Speed (RPM)	Air Volume (m³/h)	Static Pressure (Pa)	Noise [dB(A)]
LWBD3G280-092NH-05	48	2.9	135	2000	1854	433	69



LWBD-310 Series



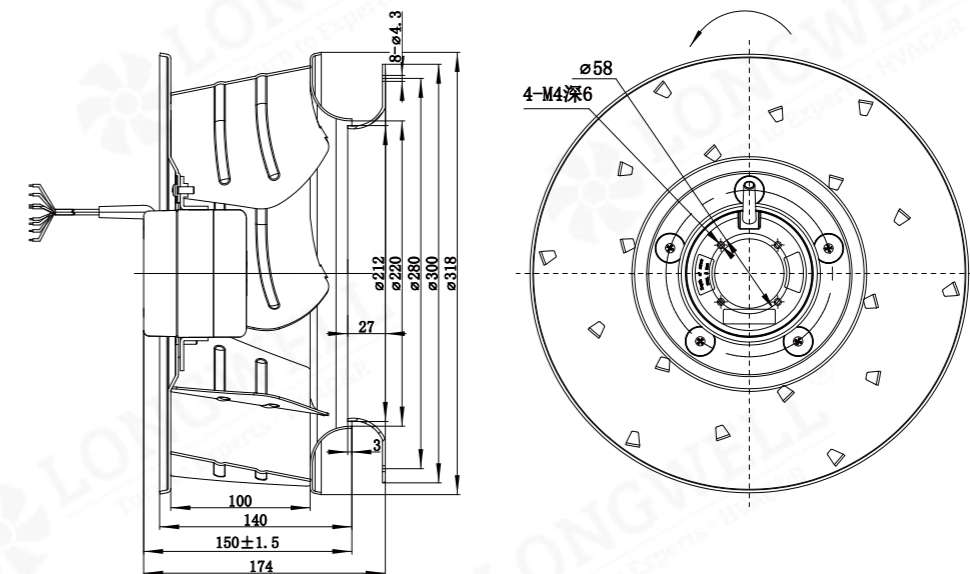
Product Characteristic

- Impeller Material: Sheet Aluminum
- Direction of Rotation: Clockwise, seen on rotor
- Protection Class: IP42
- Mounting Position: Horizontal or Vertical
- Bearing: Maintenance-free ball bearings
- Protection: Tach output, Locked-Rotor protection Reverse Polarity, Over-voltage protection, Soft Start
- Motor Type: BLDC
- Mode of Operation: S1
- Insulation Class: F
- Operation Temperature: -25 C ~ +60 C
- Technical Features: Control input 0-10VDC/PWM

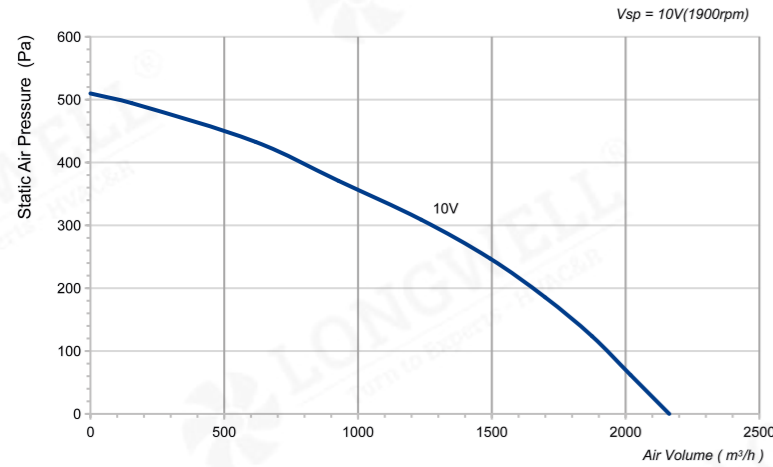


Technical Specifications

Model	Voltage (V)	Current (A)	Rated Power (W)	Speed (RPM)	Air Volume (m³/h)	Static Pressure (Pa)	Noise [dB(A)]
LWBD3G310-092NM-01	24	5.5	120	1600	2266	391	72
LWBD3G310-092NH-02	48	2.77	120	1600	2266	391	72



LWBD-310 Series



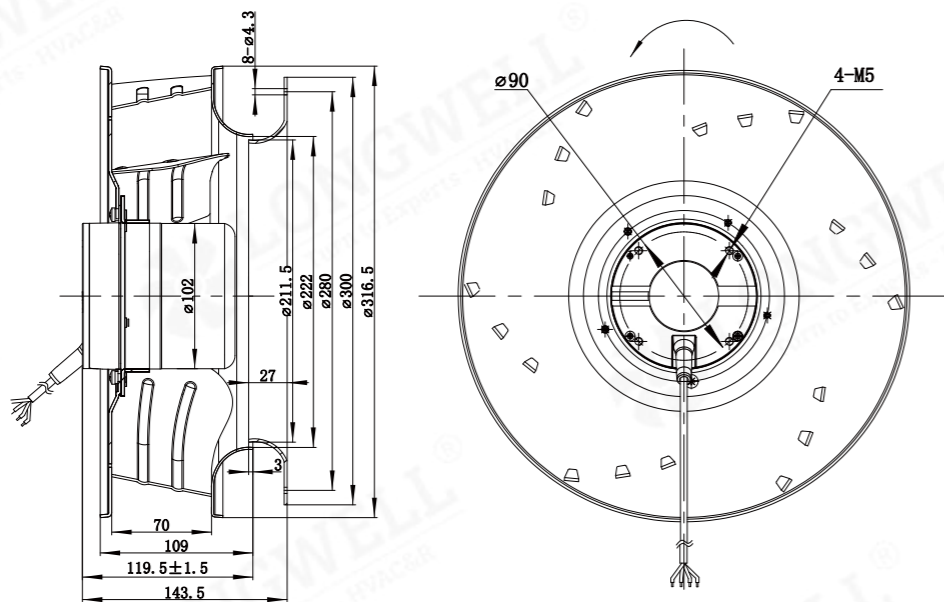
Product Characteristic

- Impeller Material: Sheet Aluminum
- Direction of Rotation: Clockwise, seen on rotor
- Protection Class: IP44
- Mounting Position: Horizontal or Vertical
- Bearing: Maintenance-free ball bearings
- Protection: Tach output, Locked-Rotor protection Reverse Polarity, Over-voltage protection, Soft Start
- Motor Type: BLDC
- Mode of Operation: S1
- Insulation Class: F
- Operation Temperature: -25 C ~ +60 C
- Technical Features: Control input 0-10VDC/PWM

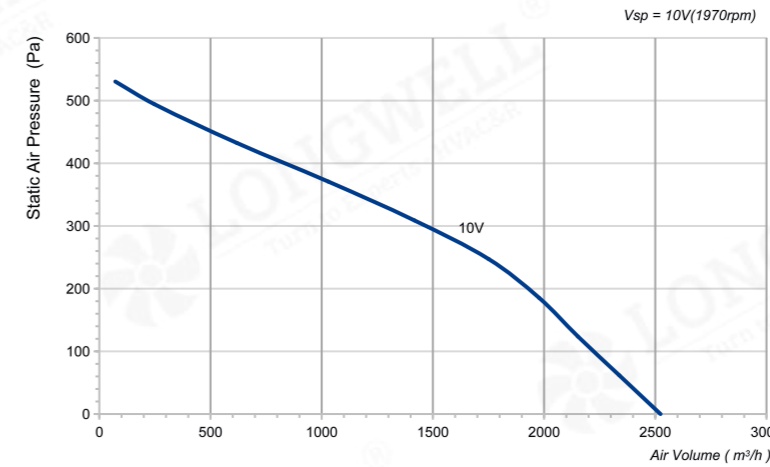


Technical Specifications

Model	Voltage (V)	Current (A)	Rated Power (W)	Speed (RPM)	Air Volume (m³/h)	Static Pressure (Pa)	Noise [dB(A)]
LWBD3G310-102NH-03	48	4	192	1900	2163	510	73



LWBD-310 Series



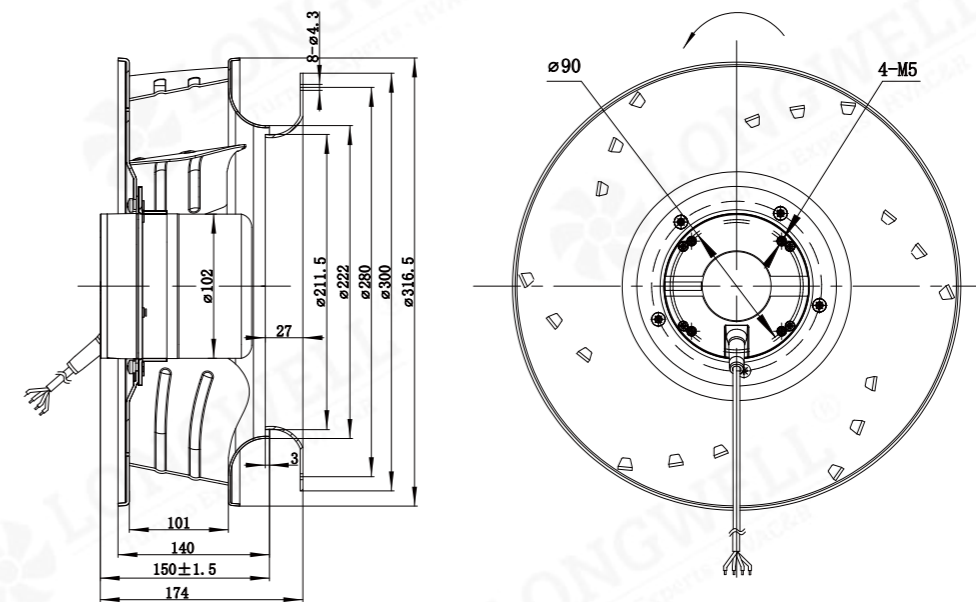
Product Characteristic

- Impeller Material: Sheet Aluminum
- Direction of Rotation: Clockwise, seen on rotor
- Protection Class: IP44
- Mounting Position: Horizontal or Vertical
- Bearing: Maintenance-free ball bearings
- Protection: Tach output, Locked-Rotor protection Reverse Polarity, Over-voltage protection, Soft Start
- Motor Type: BLDC
- Mode of Operation: S1
- Insulation Class: F
- Operation Temperature: -25 C ~ +60 C
- Technical Features: Control input 0-10VDC/PWM

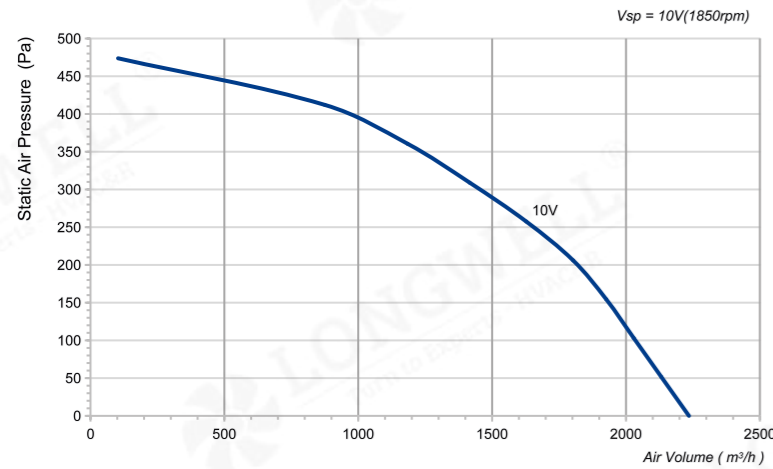


Technical Specifications

Model	Voltage (V)	Current (A)	Rated Power (W)	Speed (RPM)	Air Volume (m³/h)	Static Pressure (Pa)	Noise [dB(A)]
LWBD3G310-102NH-04	48	4.8	230	1970	2524	530	75



LWBD-310 Series



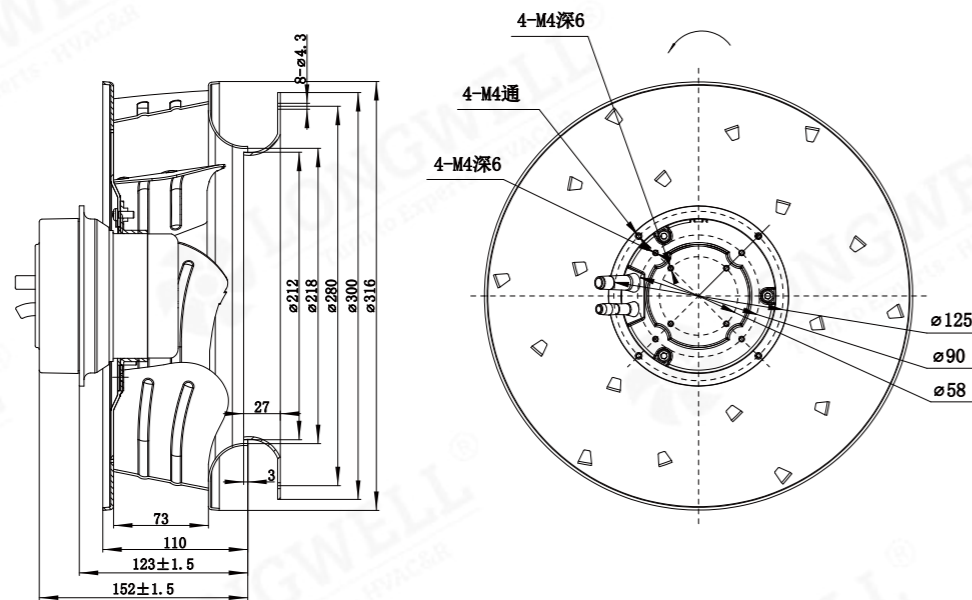
Product Characteristic

- Impeller Material: Sheet Aluminum
- Direction of Rotation: Clockwise, seen on rotor
- Protection Class: IP44
- Mounting Position: Horizontal or Vertical
- Bearing: Maintenance-free ball bearings
- Protection: Tach output, Locked-Rotor protection Reverse Polarity, Over-voltage protection, Soft Start
- Motor Type: BLDC
- Mode of Operation: S1
- Insulation Class: F
- Operation Temperature: -25 C ~ +60 C
- Technical Features: Control input 0-10VDC/PWM

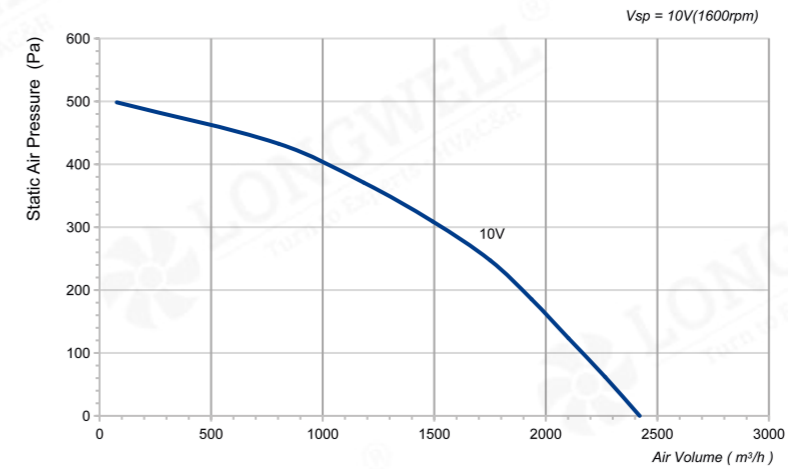


Technical Specifications

Model	Voltage (V)	Current (A)	Rated Power (W)	Speed (RPM)	Air Volume (m³/h)	Static Pressure (Pa)	Noise [dB(A)]
LWBD3G310-092NZ-05	310	0.52	160	1850	2235	474	75



LWBD-355 Series



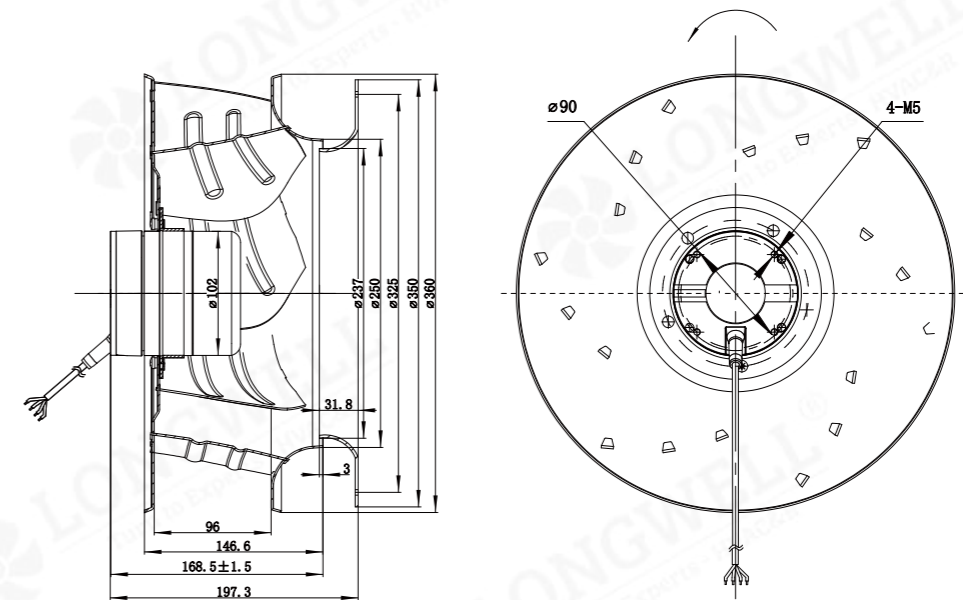
Product Characteristic

- Impeller Material: Sheet Aluminum
- Direction of Rotation: Clockwise, seen on rotor
- Protection Class: IP44
- Mounting Position: Horizontal or Vertical
- Bearing: Maintenance-free ball bearings
- Protection: Tach output, Locked-Rotor protection Reverse Polarity, Over-voltage protection, Soft Start
- Motor Type: BLDC
- Mode of Operation: S1
- Insulation Class: F
- Operation Temperature: -25 C ~ +60 C
- Technical Features: Control input 0-10VDC/PWM

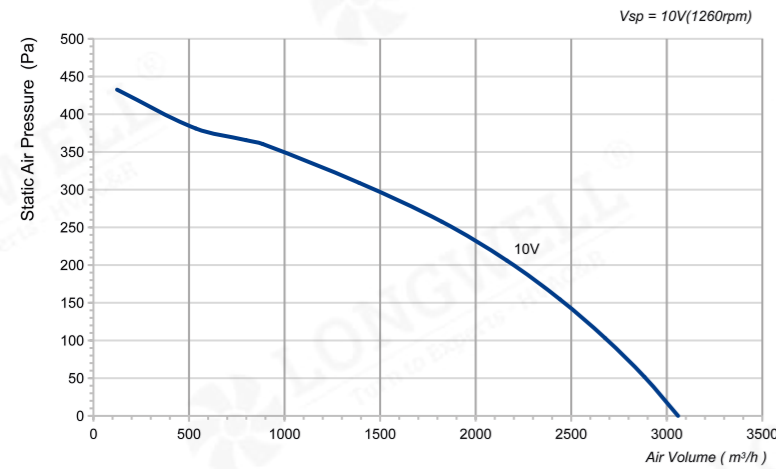


Technical Specifications

Model	Voltage (V)	Current (A)	Rated Power (W)	Speed (RPM)	Air Volume (m³/h)	Static Pressure (Pa)	Noise [dB(A)]
LWBD3G355-102NH-04	48	4.3	205	1600	2421	499	75



LWBD-400 Series



Product Characteristic

- Impeller Material: Sheet Aluminum
- Direction of Rotation: Clockwise, seen on rotor
- Protection Class: IP44
- Mounting Position: Horizontal or Vertical
- Bearing: Maintenance-free ball bearings
- Protection: Tach output, Locked-Rotor protection, Reverse Polarity, Over-voltage protection, Soft Start
- Motor Type: BLDC
- Mode of Operation: S1
- Insulation Class: F
- Operation Temperature: -25 C ~ +60 C
- Technical Features: Control input 0-10VDC/PWM



Technical Specifications

Model	Voltage (V)	Current (A)	Rated Power (W)	Speed (RPM)	Air Volume (m³/h)	Static Pressure (Pa)	Noise [dB(A)]
LWBD3G400-102NH-03	48	4	190	1260	3059	433	73

