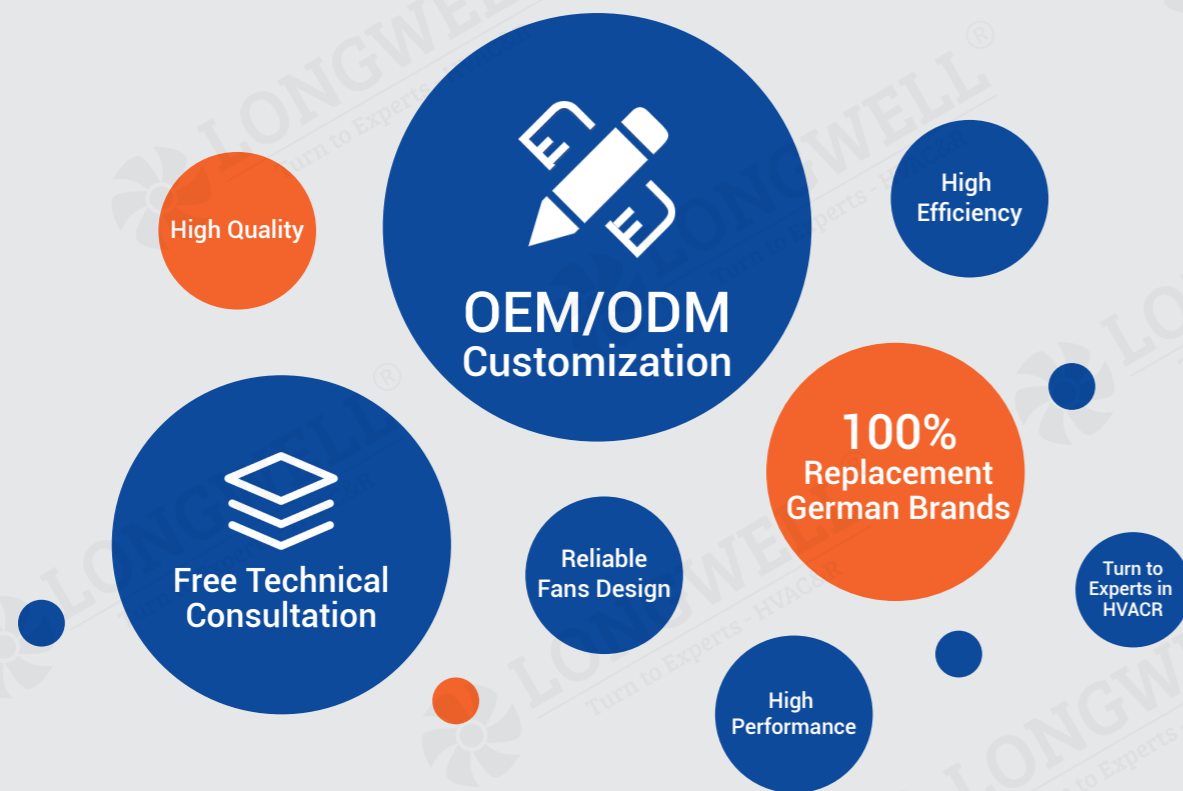


Delivery Premium Quality Fans Globally for Healthier Breathing

World's Largest Selection of Fan Products
World's Most Comprehensive Fan Solutions



Ningbo Longwell Electric Technology Co., Ltd

Headquarter: NO.100, South of Xuxiang River, Yuyao, Zhejiang Province, China 315400

Tell: +86 574 6218 9863

Fax: +86 574 6218 9863

Phone: 0086 183 5827 4663

Web: www.longwellfans.com | www.longwell-group.com | www.longwell-media.com

Email: sales@zjlongwell.com



LONGWELL TECHNOLOGY

"Born for High-Quality Breathing
LONGWELL Fans Power Your Equipments"



Professional Manufacturer
of HVACR Fan & Motors

— EC Backward curved Centrifugal Fan

Longwell Group

Longwell-China
Longwell-USA
Longwell-Russia
Longwell-Europe



CATALOGUE

01-02

About Longwell

03-04

Testing and Standards

05-06

Mainly Application

07

Type Code

08-37

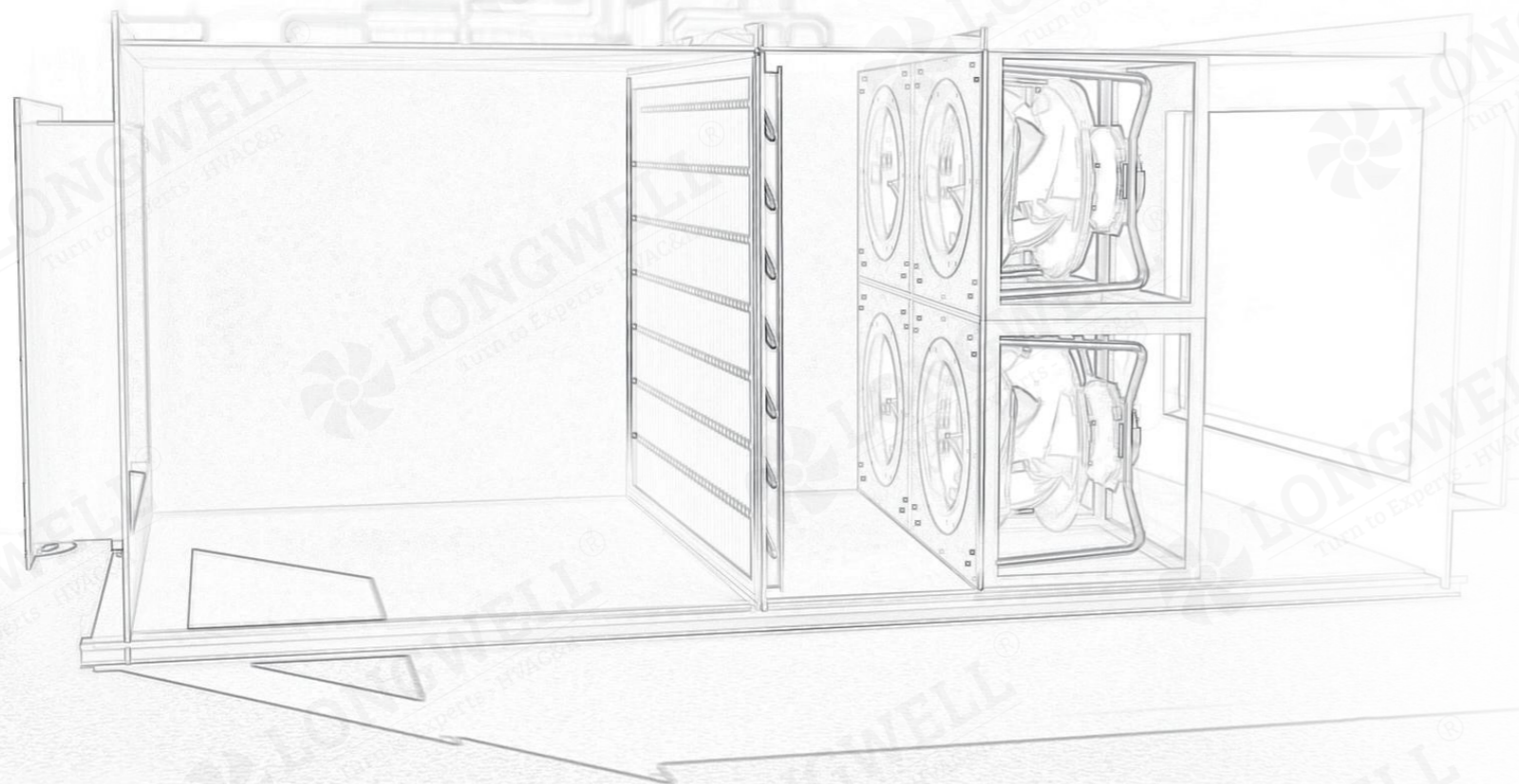
EC Backward curved
Centrifugal Fan(Φ133-Φ280)

38-59

EC Backward curved
Centrifugal Fan(Φ310-Φ400)

60-82

EC Backward curved
Centrifugal Fan(Φ450-Φ630)



About Longwell

Born for High-Quality Breathing, LONGWELL Fans Power Your Equipment

OEM for Well-Known Brands

Supplies Fortune 500 Companies

Global Technical Support

LONGWELL is a leading fan manufacturer, specializing in high-quality fans, blowers, motors, and components for heating, ventilation, air conditioning, and refrigeration applications. We have a strong presence in delivery capabilities, design and R&D capabilities, as well as manufacturing, placing us at the forefront of the industry.

Our product range includes EC/DC/AC centrifugal fans, axial fans, AC/BLDC cross-flow fans, single/double forward curved fans, AC/BLDC/ECM motors, and industrial fan blowers. Since our establishment in 1990, we have continuously upgraded our facilities and production capacity, boasting advanced testing labs and production facilities with an annual capacity of millions of fans. With over 20 years of experience, we are highly skilled in the design, development, and manufacture of fans and motors. We export to over 30 countries and serve numerous Fortune 500 clients.

Our facilities and products are compliant with certifications such as ISO9001, ISO14001, BSCI, CE, UL/ETL, CCC, EMC, and LVD. These certifications demonstrate our compliance in quality management, environmental management, social responsibility, and product safety. We are quality-oriented and dedicated to providing products and services that meet international standards.

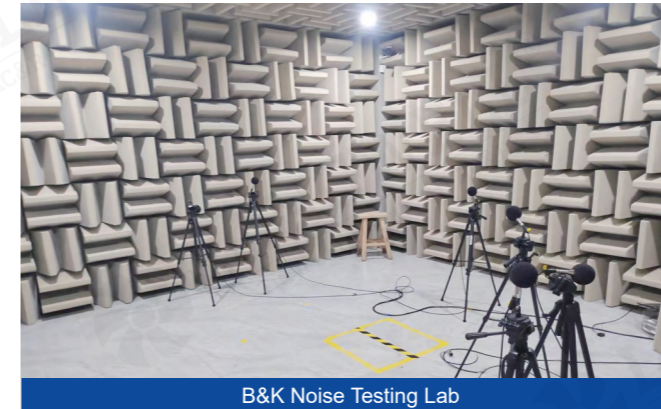
Equipped with advanced testing labs and production facilities, including a B&K noise lab, CFD simulation lab, air dynamics test chambers, automatic welding machines, CNC machining centers, and auto robot injection machines, we ensure efficient production and on-time delivery.

As industry leaders, we prioritize technological innovation and efficiency. We employ advanced technologies such as aerodynamics principles and CFD simulation to ensure precise and efficient fan designs. Additionally, we offer customized services to design and manufacture fan systems according to specific customer requirements. Our focus is on providing high-tech, high-efficiency products that meet our customers' needs and contribute to a better future.

At LONGWELL, innovation is at the core of our operations, driving continuous improvement. With our extensive experience and expertise, we can quickly customize solutions that meet customer needs. We emphasize technological sophistication, utilizing advanced technologies and high-performance materials to deliver products that are efficient, safe, and reliable. Our brand is widely recognized globally, and we are committed to promoting sustainable development and advancing the efficient fan industry.

LONGWELL looks forward to collaborating with you and providing high-quality customized fan and motor solutions. Please feel free to contact us as we work together to create a brighter future.

193 Staff	40000m² Floor Space	500⁺ Branding Clients	1Million⁺ PCS Annual Outputs	6 Overseas offices on spot support	50⁺ Members R&D Team
---------------------	--	--	---	--	---



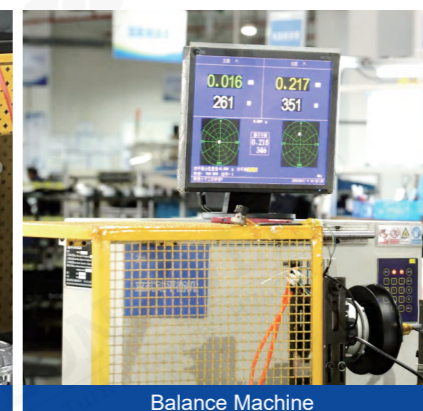
B&K Noise Testing Lab



Production Line



Automatic Welding



Balance Machine



Automatic Welding Machine



Production Line - Centrifugal Fan



Automatic CNC machine



Air Dynamic Test Lab



Production Line - Axial Fans



Production Line

Testing and Standards

- ISO GB/T 19001-2016 idt ISO 9001:2015/GB/T 24001-2016 idt ISO 14001:2015/GB/T 45001-2020 idt ISO 45001:2018
- UL 507:2017 Ed.10+R:27/CSA C22.2#113:2018 Ed.11
- BSCI ANSI C63.4:2014/ANSI C63.4a-2017
- EN IEC 55014-1:2021/EN IEC 55014-2:2021/EN IEC 61000-3-2:2019 +A1:2021
EN 61000-3-3:2013 +A1:2019 +A2:2021 +AC:2022-01
EN 60335-2-80:2003 +A1:2004 +A2:2009;
EN 60335-1:2012 +A11:2014 +A13:2017 +A1:2019+A14:2019 +A2:2019+A15:2021
EN 62321-1:2013/EN 62321-2:2014/EN 62321-3-1:2014
EN 62321-4:2014+A1:2017/EN 62321-5:2014/EN 62321-6:2015
EN 62321-7-1:2015/EN 62321-7-2:2017/EN 62321-8:2017



Enterprise Credit Evaluation Certificate - Highest Level in China



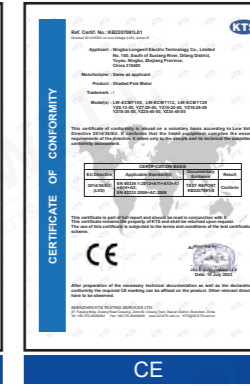
RoHS



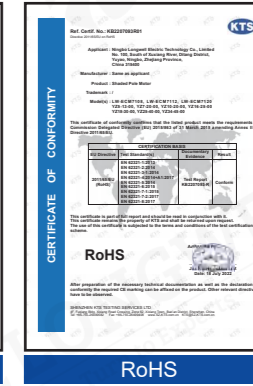
CE



CE



CE



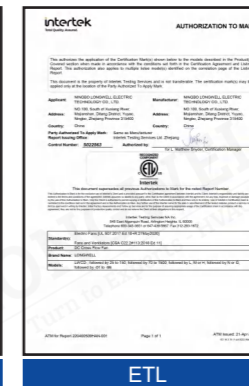
RoHS



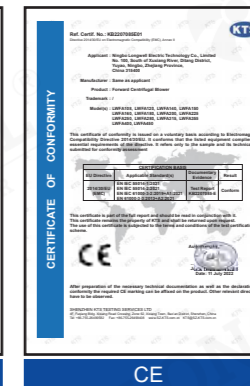
ETL



ETL



ETL



CE



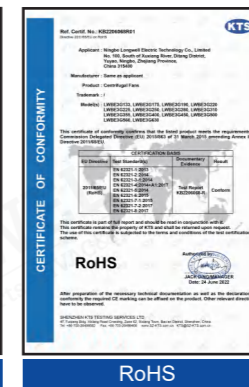
CE



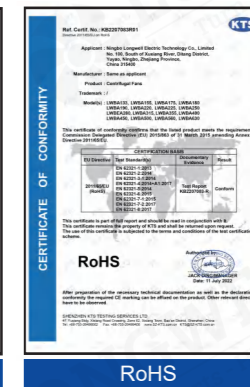
ISO 9001



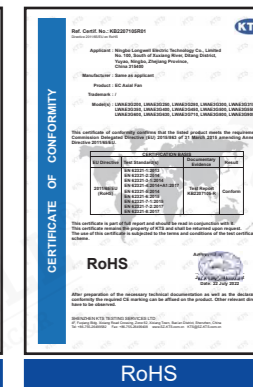
ISO 9001



RoHS



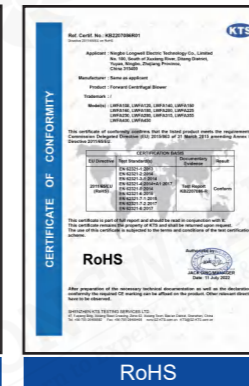
RoHS



RoHS



RoHS



RoHS



CE



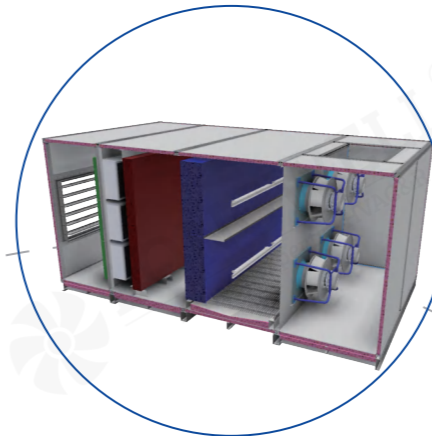
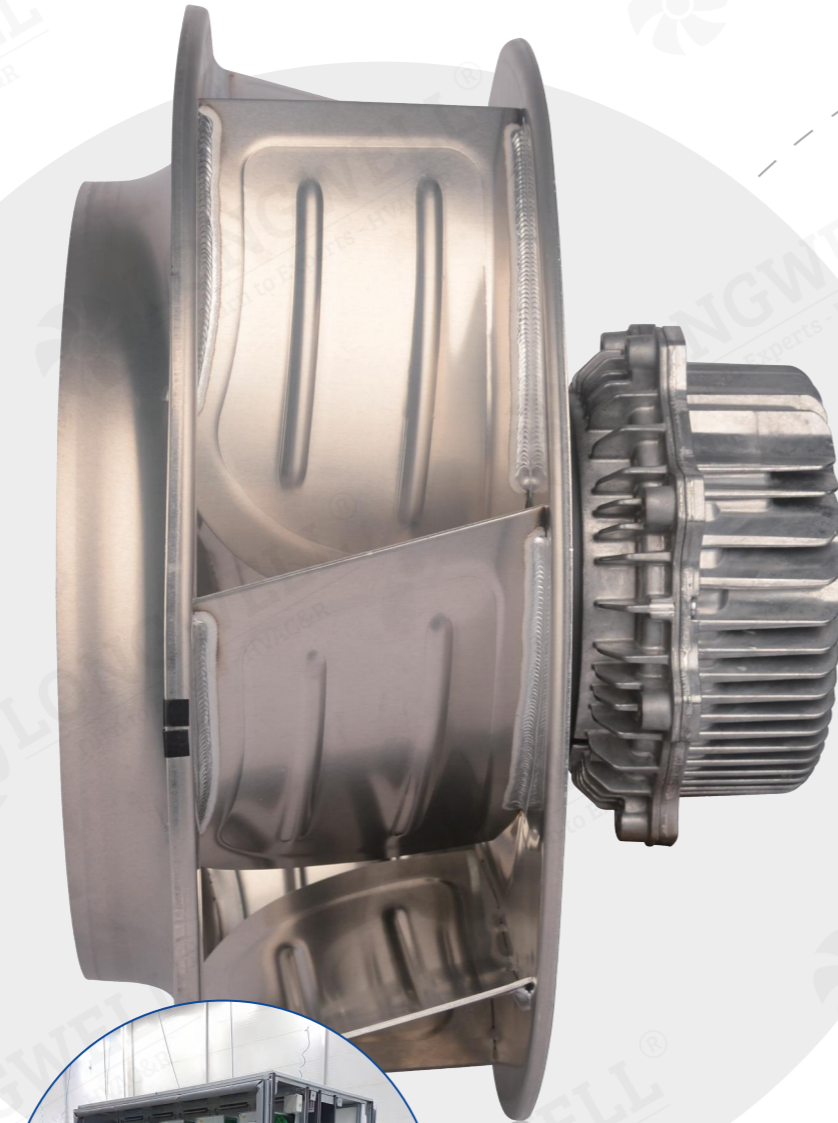
CE



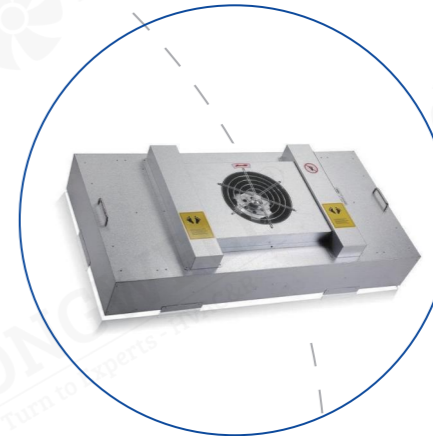
CE

Mainly Application

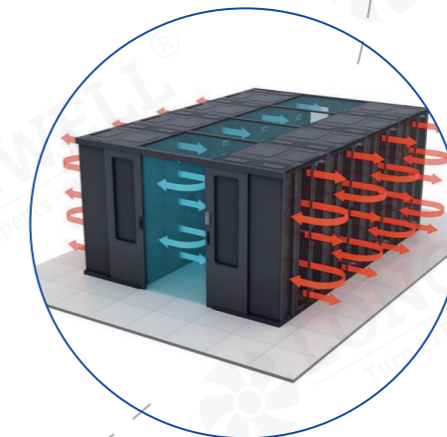
AHU/FCU/FFU/Air Purifier/ Sterilization Equipments/
Humidifier equipments/EC Fan Grid (Wall)



Ventilation Unit Project



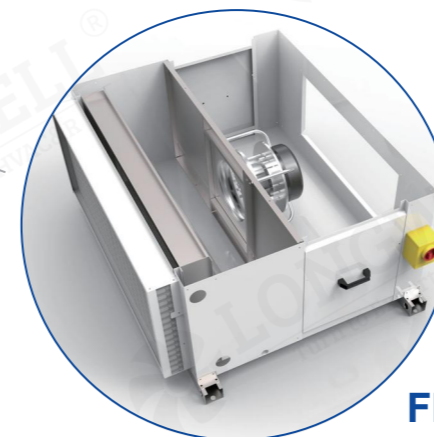
FFU(Fan Filter Unit) Project



Data Center Cooling Project



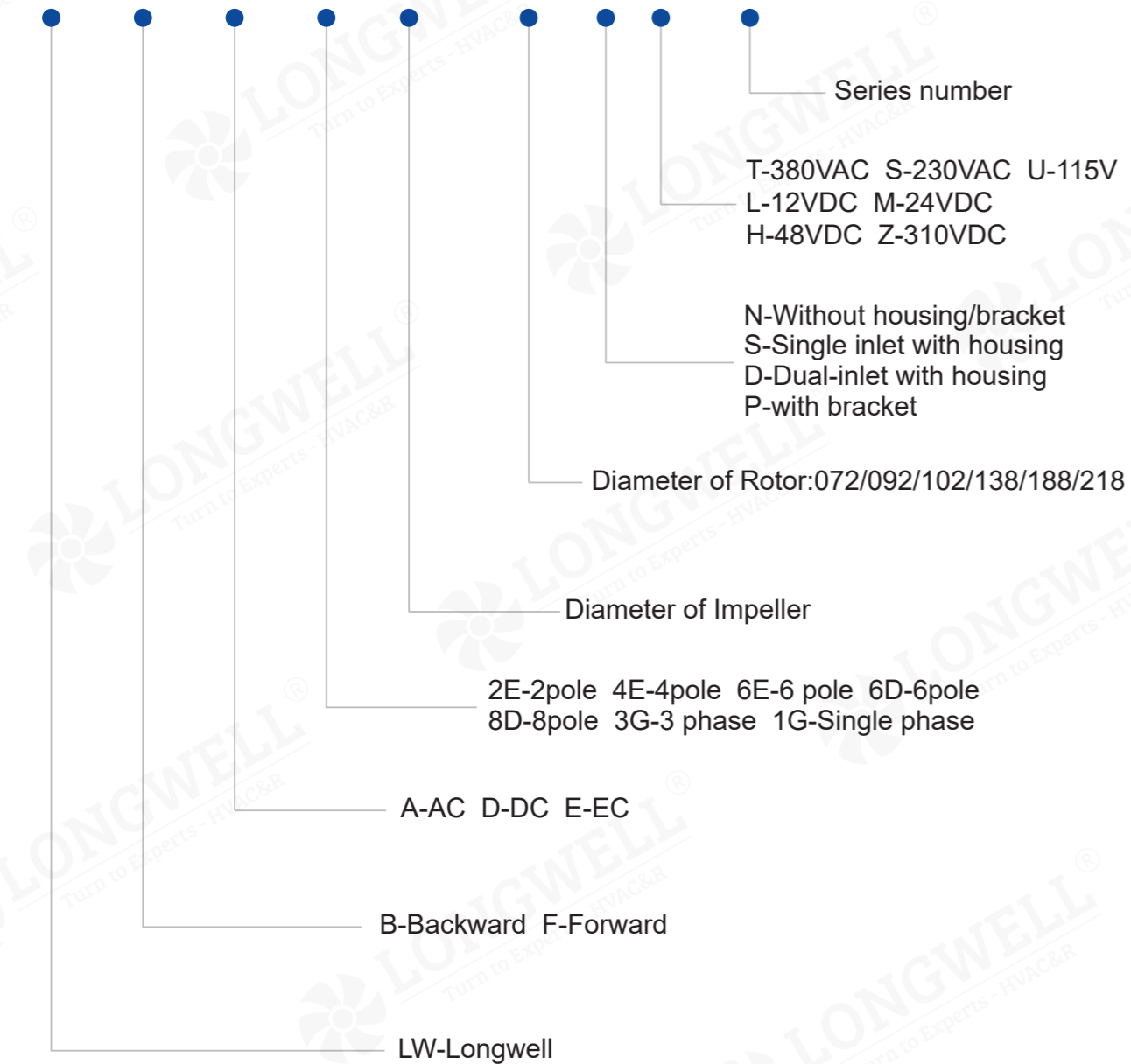
Ventilation Equipments Project



FFU(Fan Filter Unit) Project

Type Code

LW B E 3G 133 - 072 N S - 06

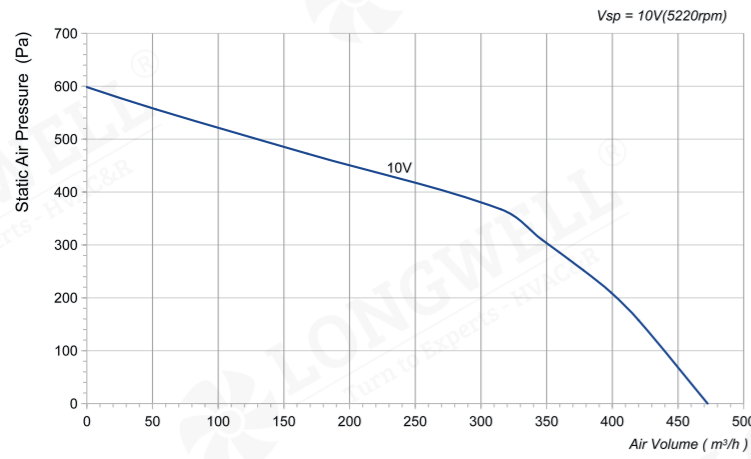


EC Backward curved Centrifugal Fan

Professional HVAC Fan & Motors Manufacturer



LWBE-133 Serise



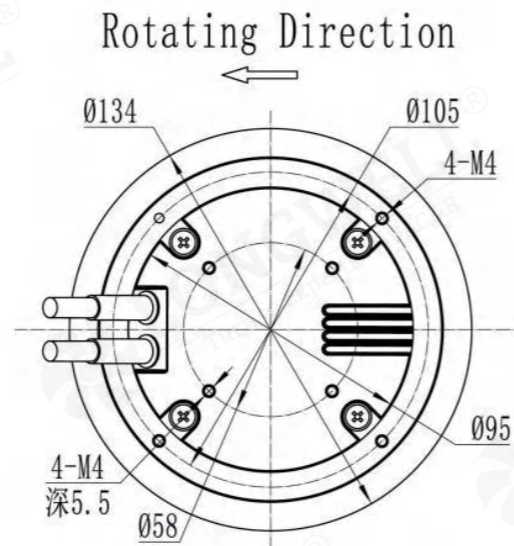
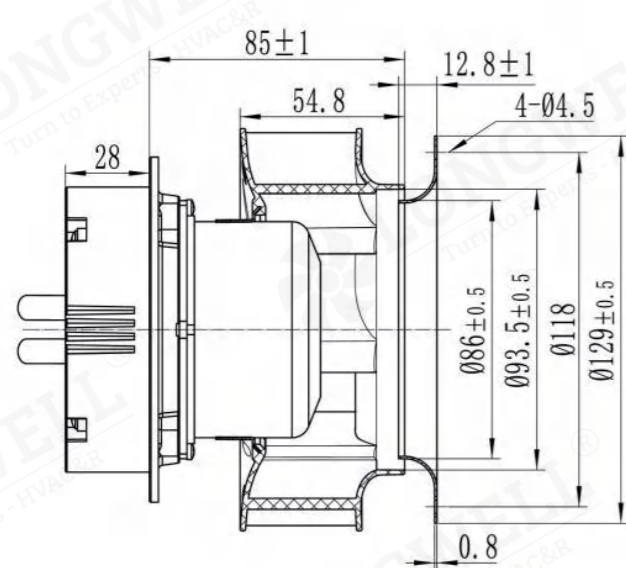
Product Characteristic

- Impeller Material: Plastic PA66
- Direction of Rotation: Clockwise, seen on rotor
- Protection Class: IP54
- Mounting Position: Horizontal or Vertical
- Bearing: Maintenance-free ball bearings
- Protection: Tach output, Locked-Rotor protection Reverse Polarity, Over-voltage protection, Soft Start
- Supply Voltage: 230V, 50/60Hz
- Mode of Operation: S1
- Insulation Class: F
- Operation Temperature: -25°C ~ +60°C
- Technical Features: Control input 0-10VDC/PWM

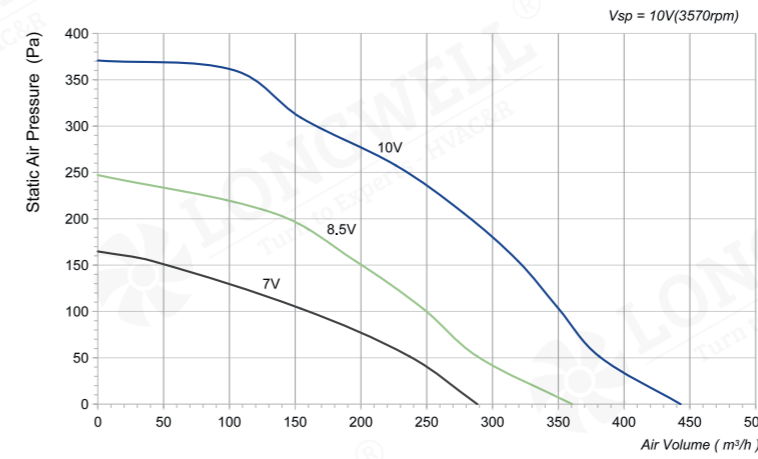


Technical Specifications

Model	Voltage (V)	Input Power (W)	Current (A)	Air Volume (m³/h)	Static Pressure (Pa)	Speed (RPM)	Noise [dB(A)]
LWBE3G133-072NS-06	230	72	/	473	609	5220	/



LWBE-155 Serise



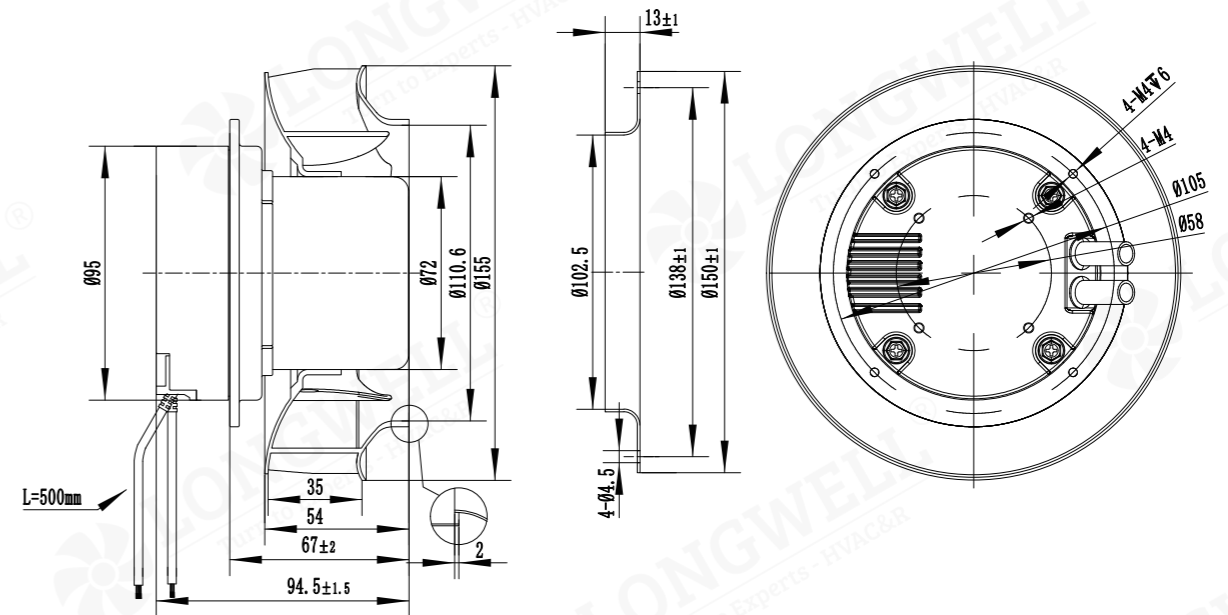
Product Characteristic

- Impeller Material: Plastic PA66
- Direction of Rotation: Clockwise, seen on rotor
- Protection Class: IP44
- Mounting Position: Horizontal or Vertical
- Bearing: Maintenance-free ball bearings
- Protection: Tach output, Locked-Rotor protection Reverse Polarity, Over-voltage protection, Soft Start
- Supply Voltage: 230V, 50/60Hz
- Mode of Operation: S1
- Insulation Class: F
- Operation Temperature: -25°C ~ +60°C
- Technical Features: Control input 0-10VDC/PWM

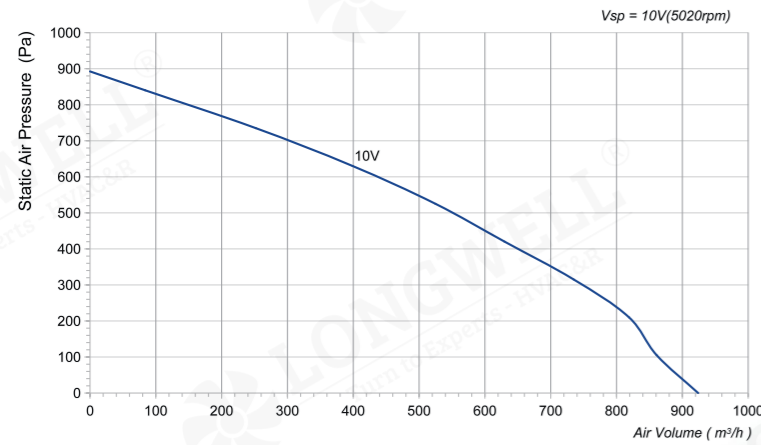


Technical Specifications

Model	Voltage (V)	Input Power (W)	Current (A)	Air Volume (m³/h)	Static Pressure (Pa)	Speed (RPM)	Noise [dB(A)]
LWBE3G155-072NS-02	230	40	0.3	433	371	3570	63



LWBE-175 Serie



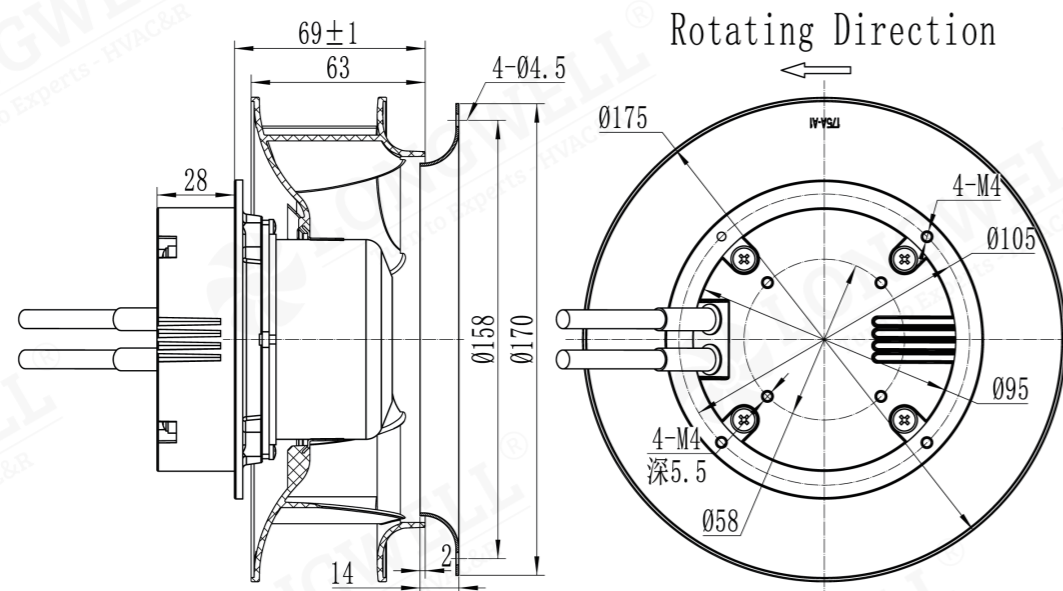
Product Characteristic

- Impeller Material: Plastic PA66
- Direction of Rotation: Clockwise, seen on rotor
- Protection Class: IP54
- Mounting Position: Horizontal or Vertical
- Bearing: Maintenance-free ball bearings
- Protection: Tach output, Locked-Rotor protection Reverse Polarity, Over-voltage protection, Soft Start
- Supply Voltage: 230V, 50/60Hz
- Mode of Operation: S1
- Insulation Class: F
- Operation Temperature: -25°C ~ +60°C
- Technical Features: Control input 0-10VDC/PWM

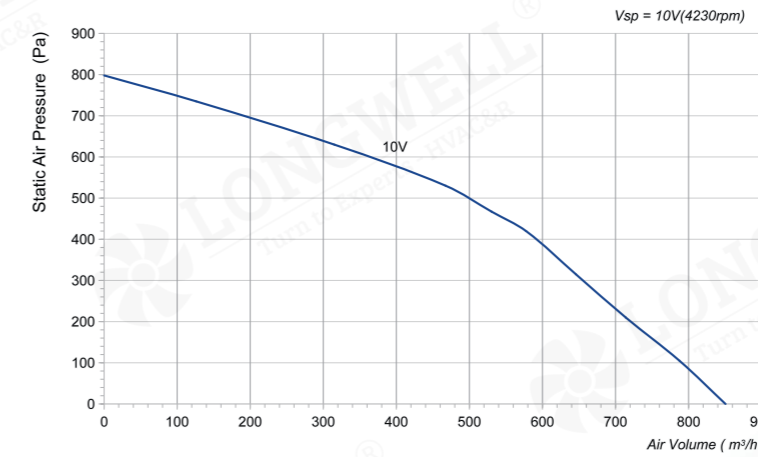


Technical Specifications

Model	Voltage (V)	Input Power (W)	Current (A)	Air Volume (m³/h)	Static Pressure (Pa)	Speed (RPM)	Noise [dB(A)]
LWBE3G175-072NS-10	230	132	0.6	924	893	5020	/



LWBE-190 Serie



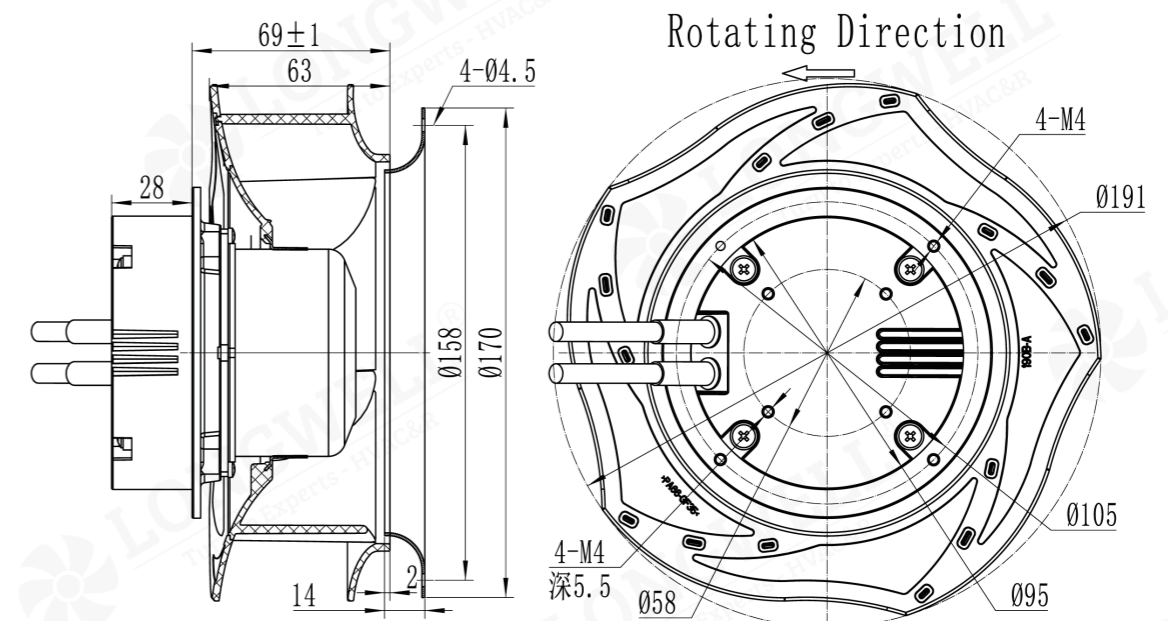
Product Characteristic

- Impeller Material: Plastic PA66
- Direction of Rotation: Clockwise, seen on rotor
- Protection Class: IP54
- Mounting Position: Horizontal or Vertical
- Bearing: Maintenance-free ball bearings
- Protection: Tach output, Locked-Rotor protection Reverse Polarity, Over-voltage protection, Soft Start
- Supply Voltage: 230V, 50/60Hz
- Mode of Operation: S1
- Insulation Class: F
- Operation Temperature: -25°C ~ +60°C
- Technical Features: Control input 0-10VDC/PWM

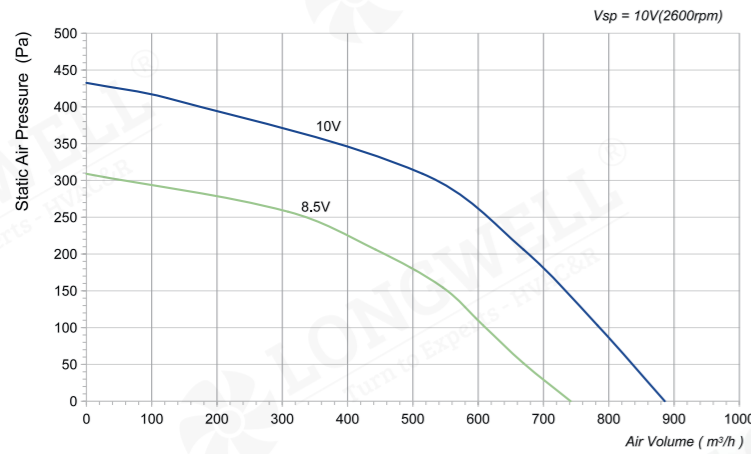


Technical Specifications

Model	Voltage (V)	Input Power (W)	Current (A)	Air Volume (m³/h)	Static Pressure (Pa)	Speed (RPM)	Noise [dB(A)]
LWBE3G190-072NS-16	230	104	1.16	851	798	4230	70



LWBE-220 Serie



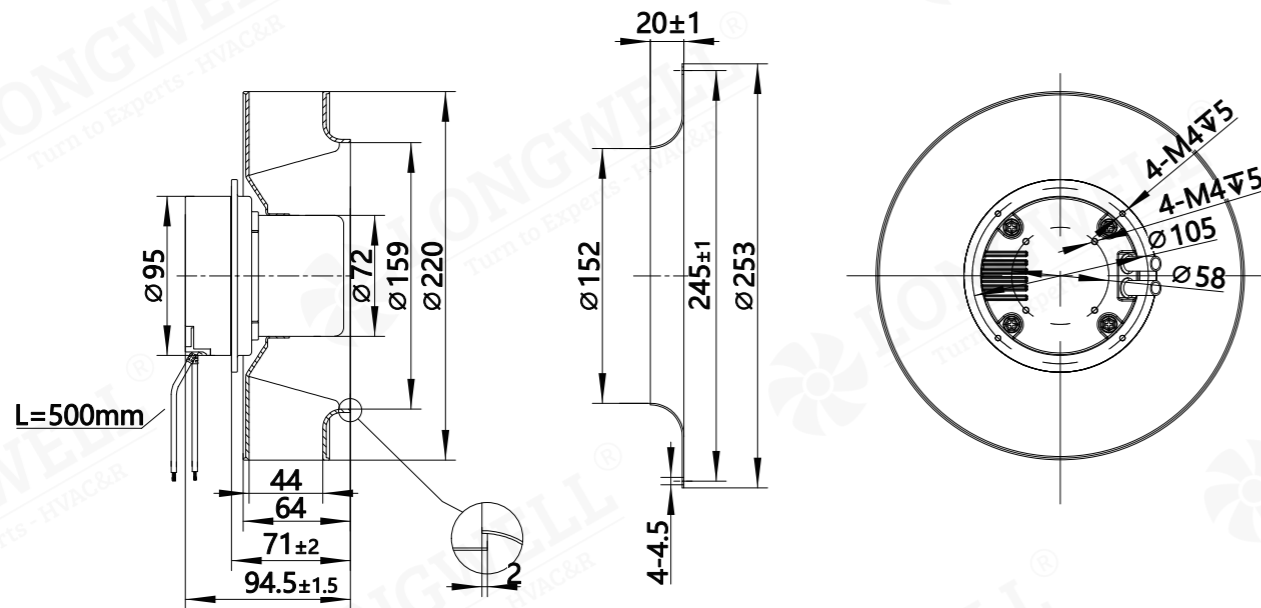
Product Characteristic

- Impeller Material: Plastic PA66
- Direction of Rotation: Clockwise, seen on rotor
- Protection Class: IP44
- Mounting Position: Horizontal or Vertical
- Bearing: Maintenance-free ball bearings
- Protection: Tach output, Locked-Rotor protection Reverse Polarity, Over-voltage protection, Soft Start
- Supply Voltage: 230V, 50/60Hz
- Mode of Operation: S1
- Insulation Class: B
- Operation Temperature: -25°C ~ +60°C
- Technical Features: Control input 0-10VDC/PWM

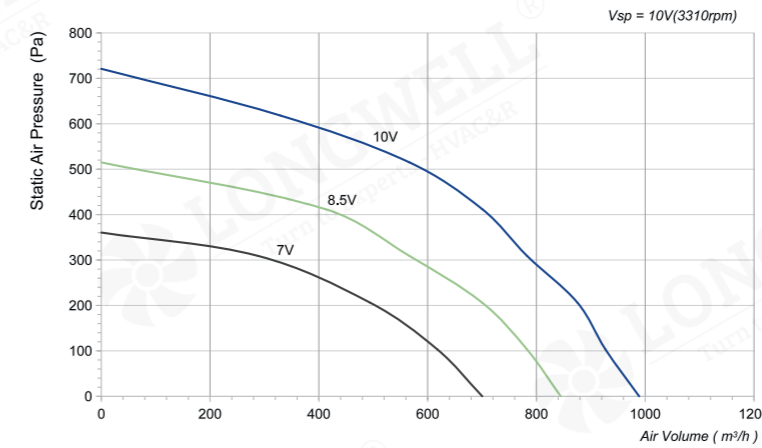


Technical Specifications

Model	Voltage (V)	Input Power (W)	Current (A)	Air Volume (m³/h)	Static Pressure (Pa)	Speed (RPM)	Noise [dB(A)]
LWBE3G220-072NS-11	230	75	0.6	886	433	2600	71



LWBE-220 Serie



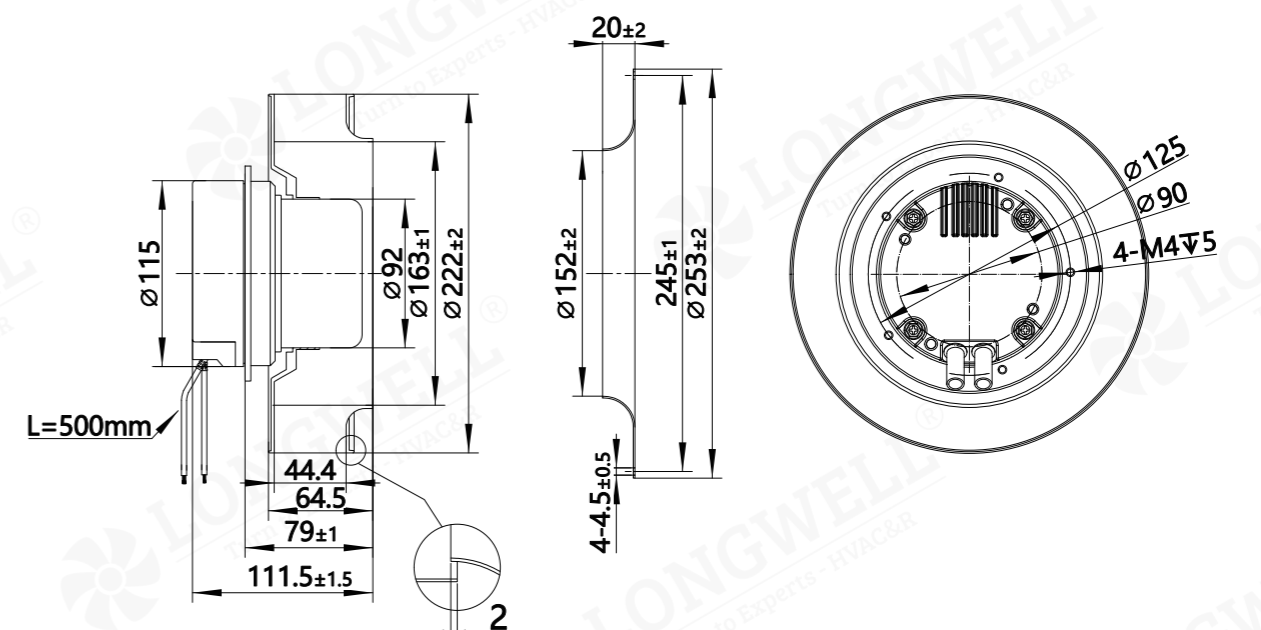
Product Characteristic

- Impeller Material: Plastic PA66
- Direction of Rotation: Clockwise, seen on rotor
- Protection Class: IP44
- Mounting Position: Horizontal or Vertical
- Bearing: Maintenance-free ball bearings
- Protection: Tach output, Locked-Rotor protection Reverse Polarity, Over-voltage protection, Soft Start
- Supply Voltage: 230V, 50/60Hz
- Mode of Operation: S1
- Insulation Class: B
- Operation Temperature: -25°C ~ +60°C
- Technical Features: Control input 0-10VDC/PWM

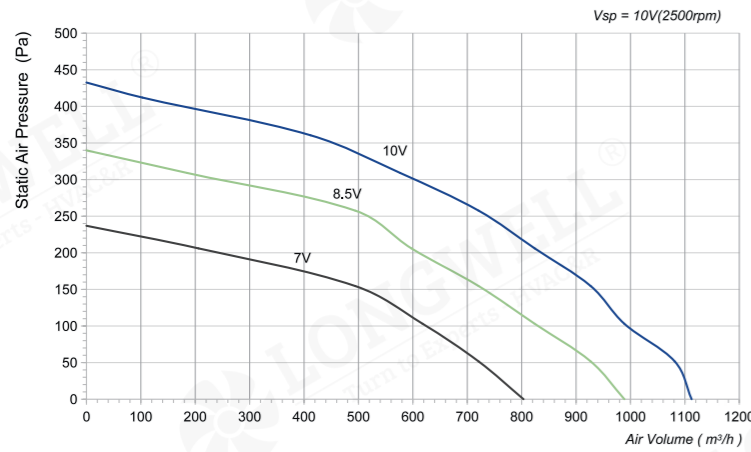


Technical Specifications

Model	Voltage (V)	Input Power (W)	Current (A)	Air Volume (m³/h)	Static Pressure (Pa)	Speed (RPM)	Noise [dB(A)]
LWBE3G220-092NS-10	230	145	1	989	711	3310	75



LWBE-225 Serie



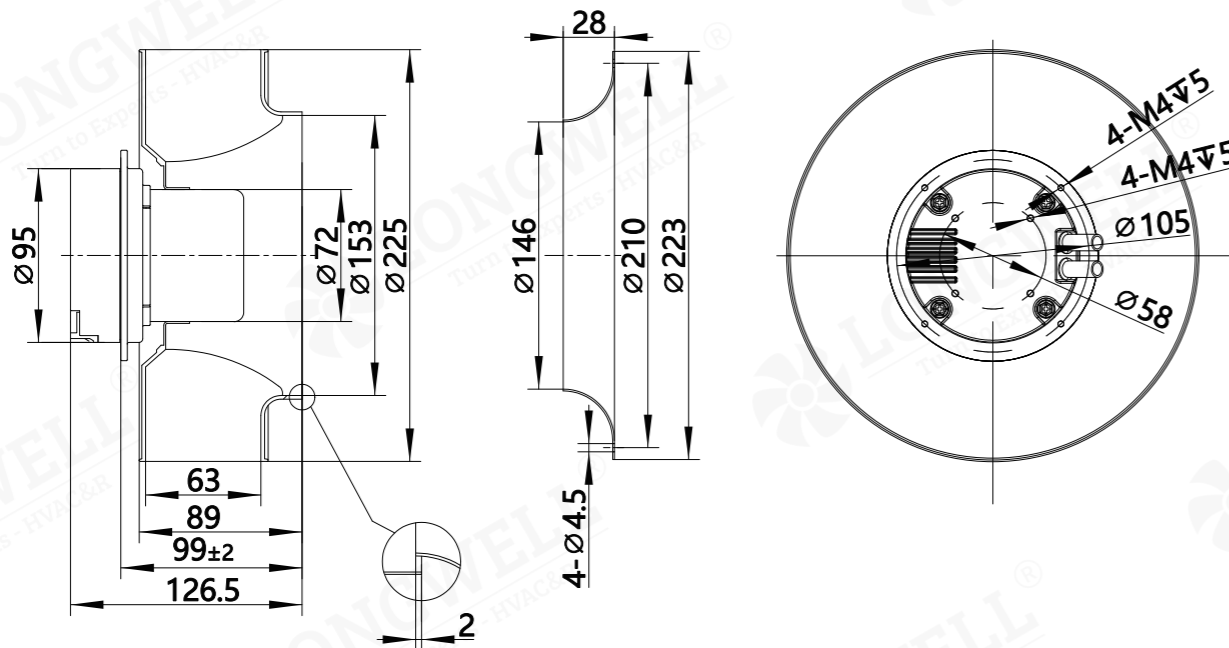
Product Characteristic

- Impeller Material: Plastic PA66
- Direction of Rotation: Clockwise, seen on rotor
- Protection Class: IP44
- Mounting Position: Horizontal or Vertical
- Bearing: Maintenance-free ball bearings
- Protection: Tach output, Locked-Rotor protection Reverse Polarity, Over-voltage protection, Soft Start
- Supply Voltage: 230V, 50/60Hz
- Mode of Operation: S1
- Insulation Class: B
- Operation Temperature: -25°C ~ +60°C
- Technical Features: Control input 0-10VDC/PWM

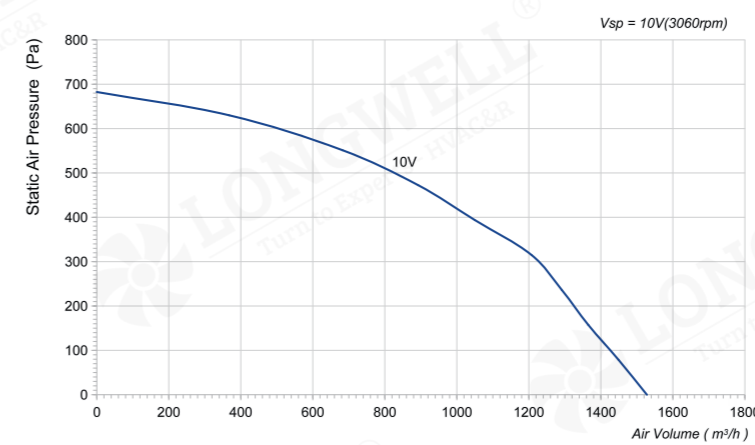


Technical Specifications

Model	Voltage (V)	Input Power (W)	Current (A)	Air Volume (m³/h)	Static Pressure (Pa)	Speed (RPM)	Noise [dB(A)]
LWBE3G225-072NS-10	230	80	0.6	1112	433	2500	69



LWBE-225 Serie



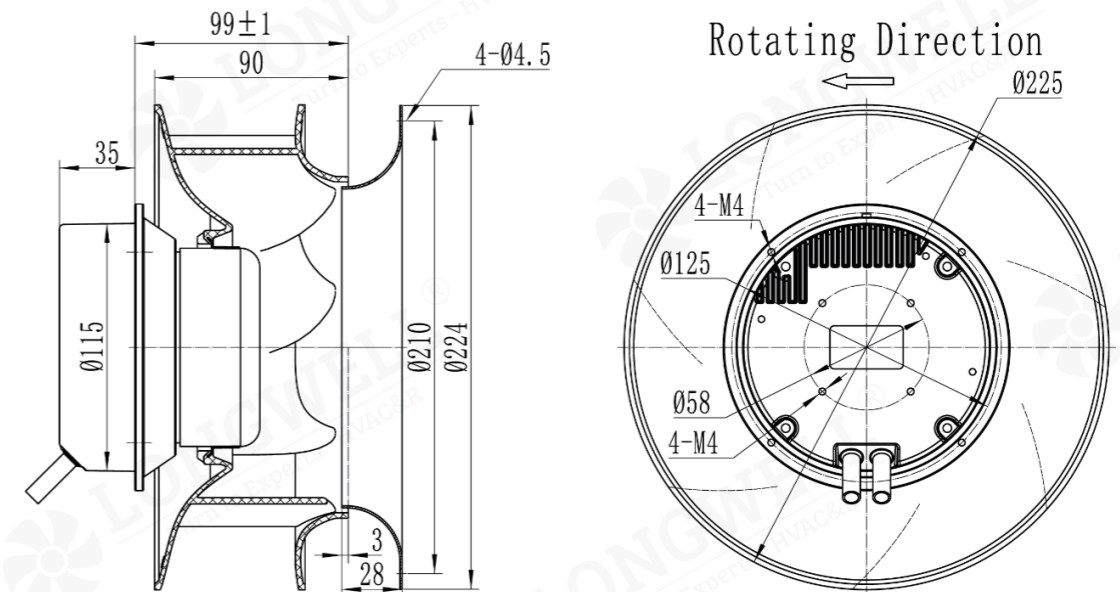
Product Characteristic

- Impeller Material: Plastic PA66
- Direction of Rotation: Clockwise, seen on rotor
- Protection Class: IP54
- Mounting Position: Horizontal or Vertical
- Bearing: Maintenance-free ball bearings
- Protection: Tach output, Locked-Rotor protection Reverse Polarity, Over-voltage protection, Soft Start
- Supply Voltage: 230V, 50/60Hz
- Mode of Operation: S1
- Insulation Class: F
- Operation Temperature: -25°C ~ +60°C
- Technical Features: Control input 0-10VDC/PWM

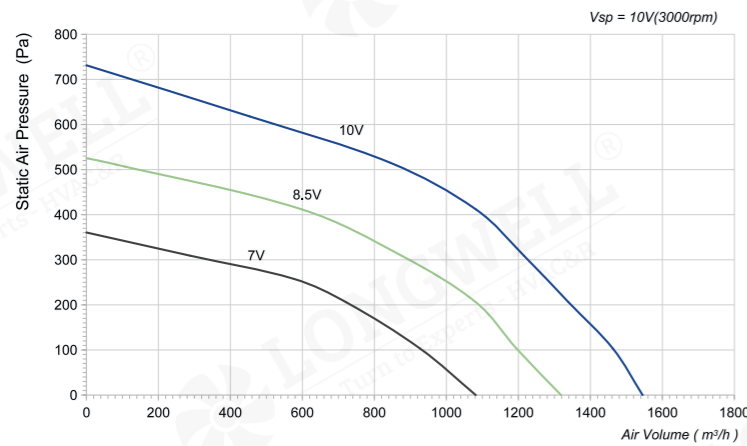


Technical Specifications

Model	Voltage (V)	Input Power (W)	Current (A)	Air Volume (m³/h)	Static Pressure (Pa)	Speed (RPM)	Noise [dB(A)]
LWBE3G225-092NS-11	230	170	1.4	1528	683	3060	71.1



LWBE-225 Serise



Product Characteristic

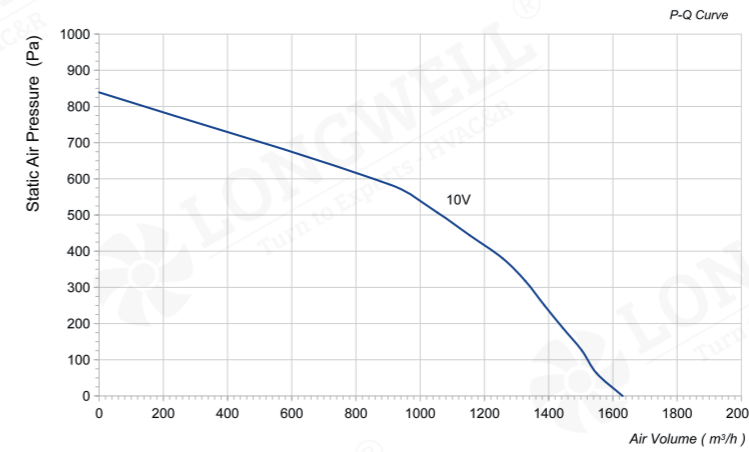
- Impeller Material: Plastic PA66
- Direction of Rotation: Clockwise, seen on rotor
- Protection Class: IP44
- Mounting Position: Horizontal or Vertical
- Bearing: Maintenance-free ball bearings
- Protection: Tach output, Locked-Rotor protection Reverse Polarity, Over-voltage protection, Soft Start
- Supply Voltage: 230V, 50/60Hz
- Mode of Operation: S1
- Insulation Class: B
- Operation Temperature: -25°C ~ +60°C
- Technical Features: Control input 0-10VDC/PWM



Technical Specifications

Model	Voltage (V)	Input Power (W)	Current (A)	Air Volume (m³/h)	Static Pressure (Pa)	Speed (RPM)	Noise [dB(A)]
LWBE3G225-092NS-12	230	160	1.1	1545	731	3000	71

LWBE-225 Serise



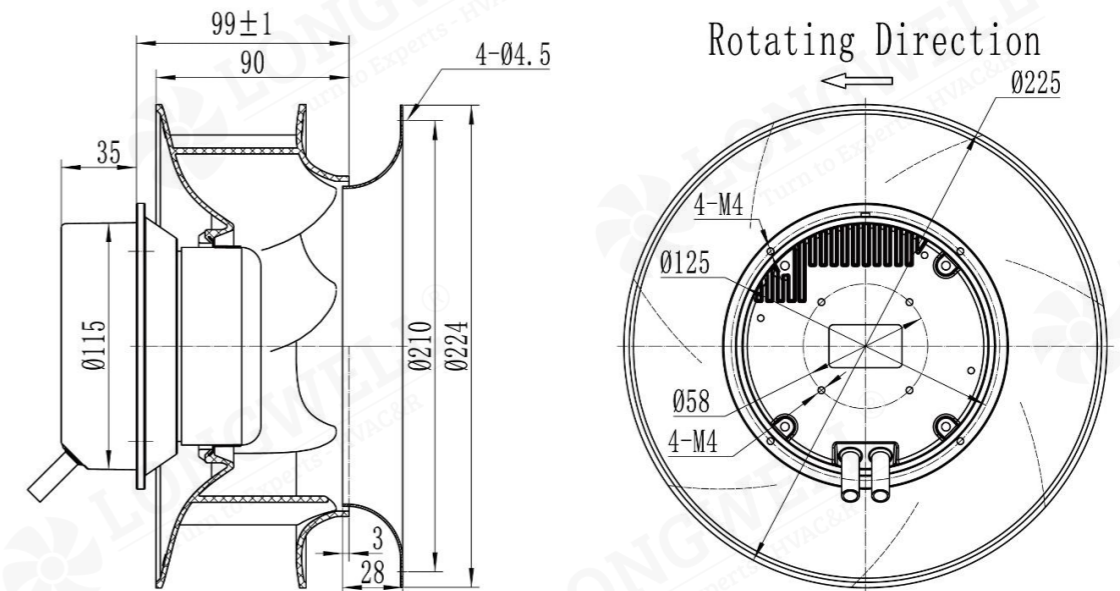
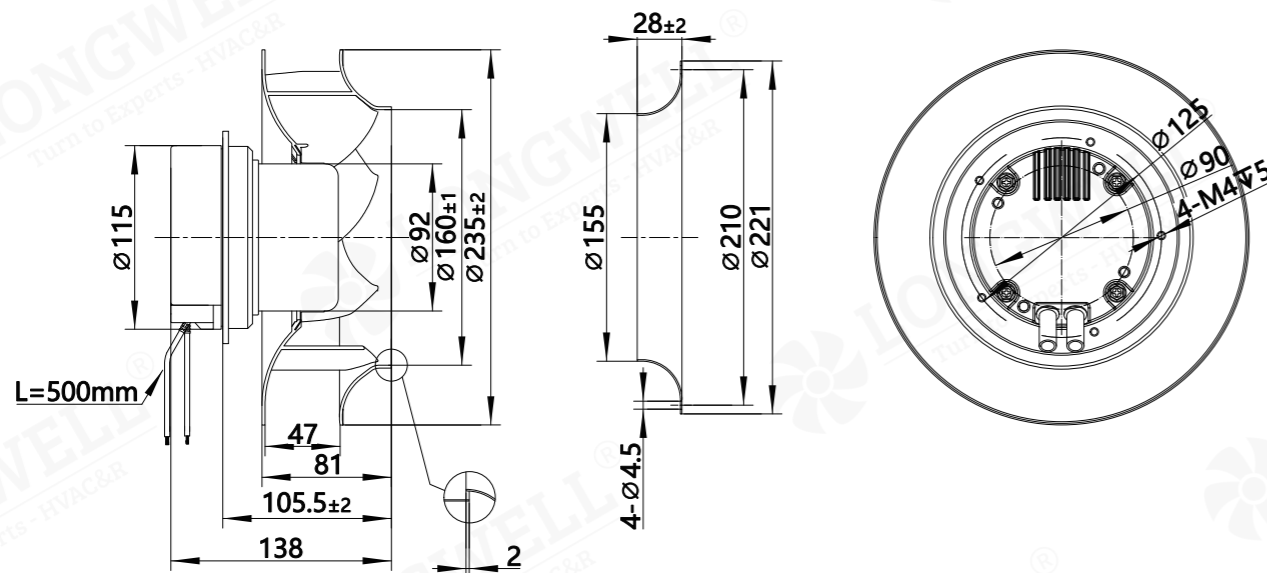
Product Characteristic

- Impeller Material: PA6+GF
- Direction of Rotation: Clockwise, seen on rotor
- Protection Class: IP54
- Mounting Position: Horizontal or Vertical
- Bearing: Maintenance-free ball bearings
- Protection: Tach output, Locked-Rotor protection Reverse Polarity, Over-voltage protection, Soft Start
- Supply Voltage: 230V, 50/60Hz
- Mode of Operation: S1
- Insulation Class: F
- Operation Temperature: -25°C ~ +60°C
- Technical Features: Control input 0-10VDC/PWM

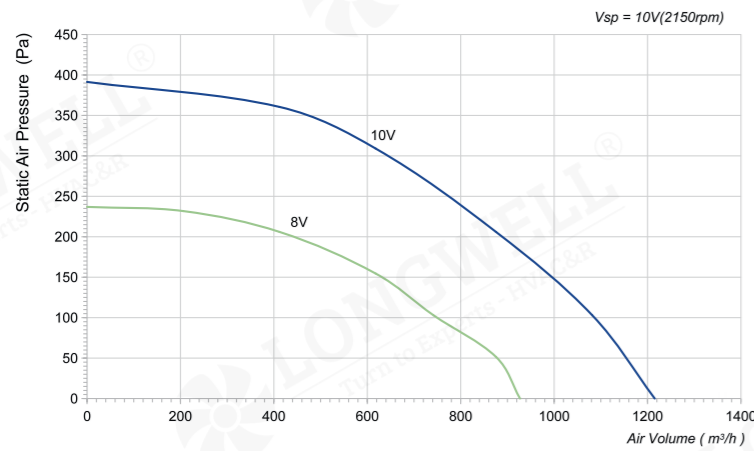


Technical Specifications

Model	Voltage (V)	Input Power (W)	Current (A)	Air Volume (m³/h)	Static Pressure (Pa)	Speed (RPM)	Noise [dB(A)]
LWBE3G225-092NS-13	230	315	1.87	1630	839	3500	71



LWBE-250 Serie



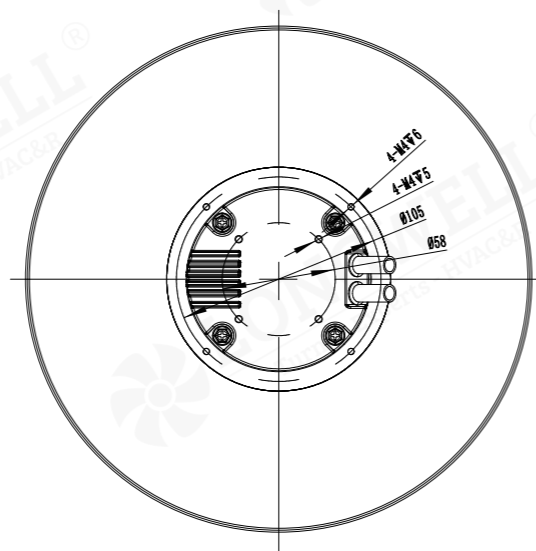
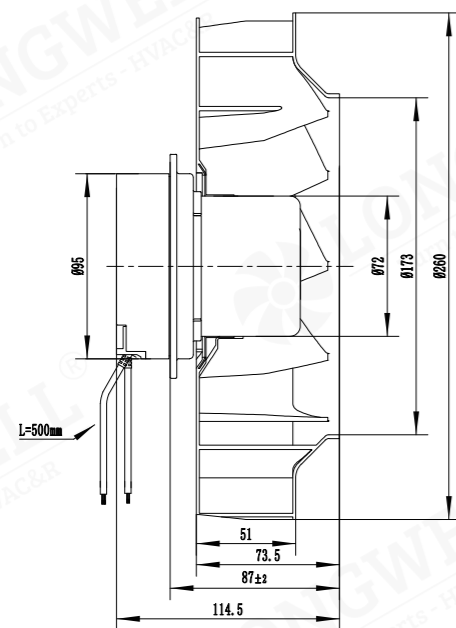
Product Characteristic

- Impeller Material: Plastic PA66
- Direction of Rotation: Clockwise, seen on rotor
- Protection Class: IP44
- Mounting Position: Horizontal or Vertical
- Bearing: Maintenance-free ball bearings
- Protection: Tach output, Locked-Rotor protection Reverse Polarity, Over-voltage protection, Soft Start
- Supply Voltage: 230V, 50/60Hz
- Mode of Operation: S1
- Insulation Class: B
- Operation Temperature: -25°C ~ +60°C
- Technical Features: Control input 0-10VDC/PWM

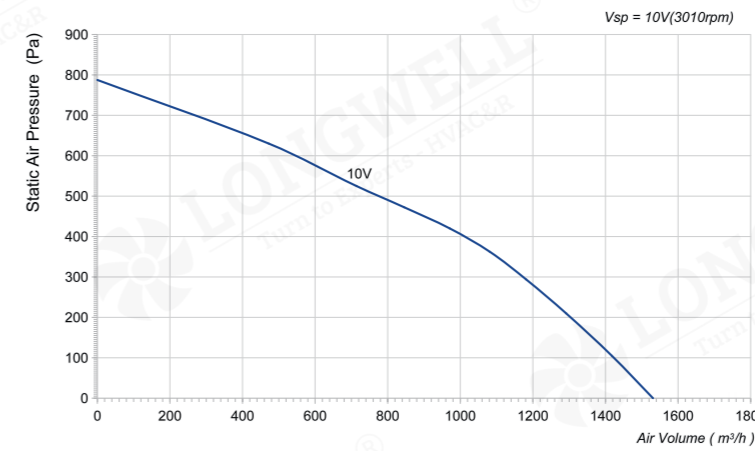


Technical Specifications

Model	Voltage (V)	Input Power (W)	Current (A)	Air Volume (m³/h)	Static Pressure (Pa)	Speed (RPM)	Noise [dB(A)]
LWBE3G250-072NS-29	230	90	0.8	1215	391	2150	68



LWBE-250 Serie



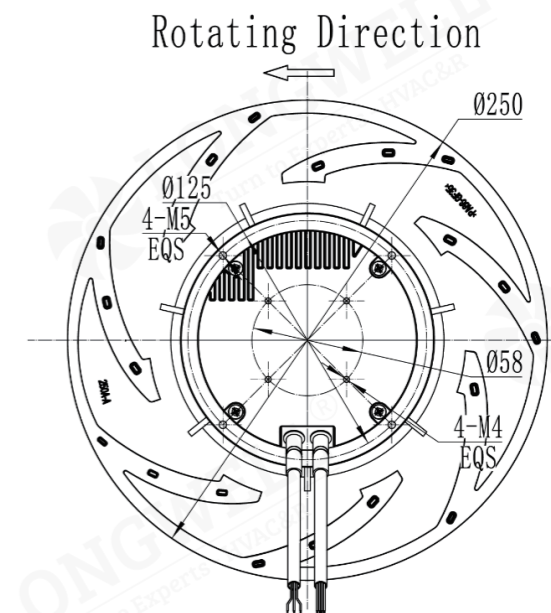
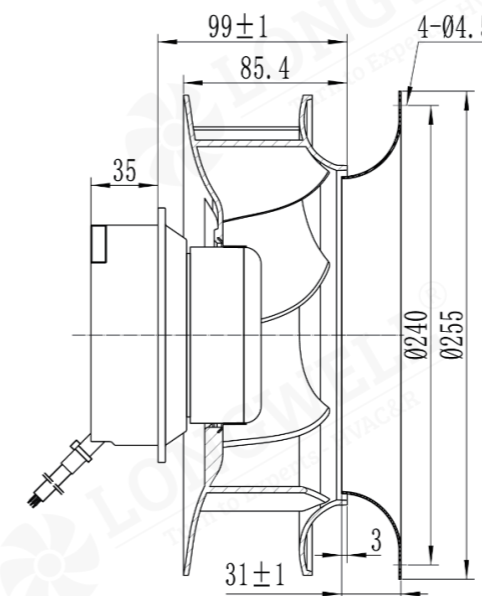
Product Characteristic

- Impeller Material: Plastic PA66
- Direction of Rotation: Clockwise, seen on rotor
- Protection Class: IP54
- Mounting Position: Horizontal or Vertical
- Bearing: Maintenance-free ball bearings
- Protection: Tach output, Locked-Rotor protection Reverse Polarity, Over-voltage protection, Soft Start
- Supply Voltage: 230V, 50/60Hz
- Mode of Operation: S1
- Insulation Class: F
- Operation Temperature: -25°C ~ +60°C
- Technical Features: Control input 0-10VDC/PWM

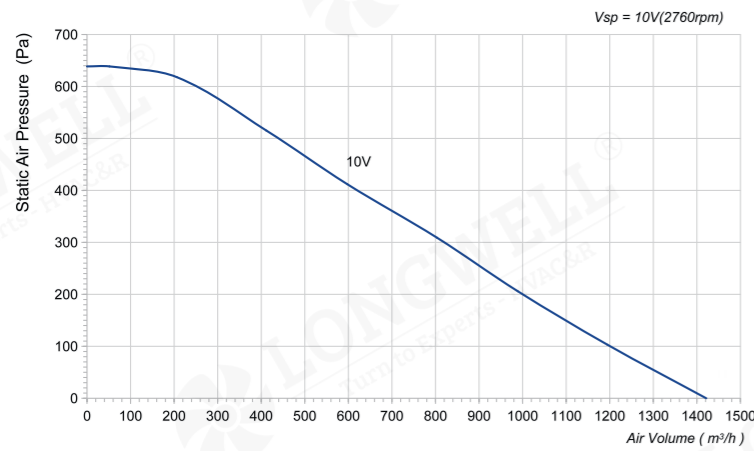


Technical Specifications

Model	Voltage (V)	Input Power (W)	Current (A)	Air Volume (m³/h)	Static Pressure (Pa)	Speed (RPM)	Noise [dB(A)]
LWBE3G250-092NS-12	230	140	0.6	1531	785	3010	72.1



LWBE-250 Serie



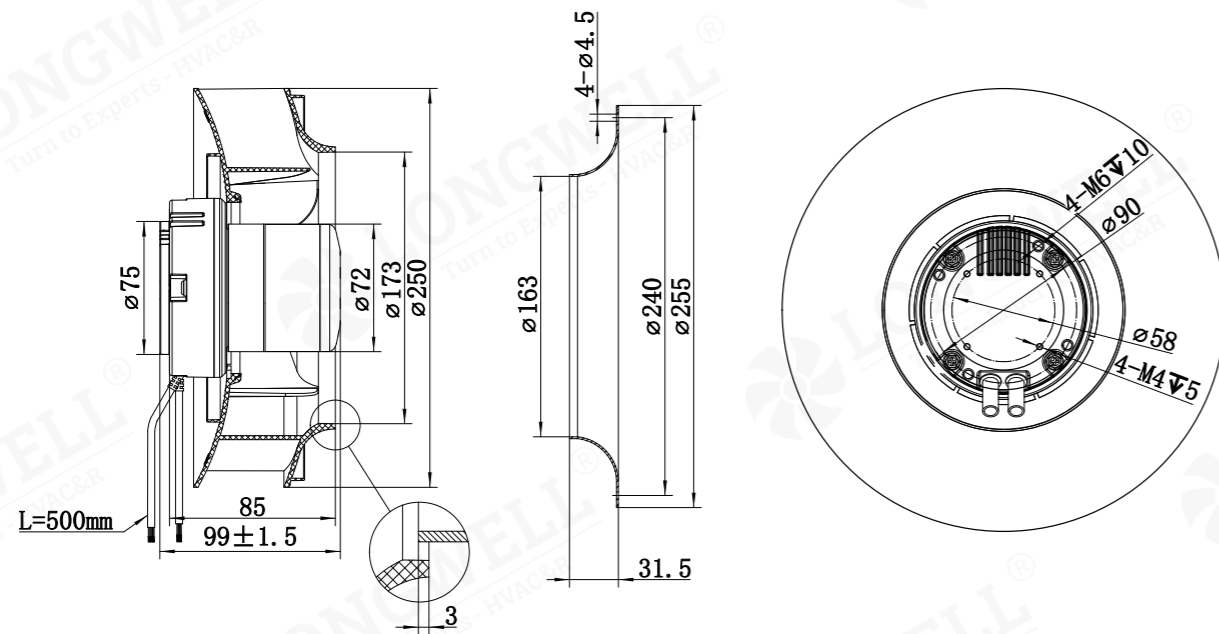
Product Characteristic

- Impeller Material: Plastic PA66
- Direction of Rotation: Clockwise, seen on rotor
- Protection Class: IP44
- Mounting Position: Horizontal or Vertical
- Bearing: Maintenance-free ball bearings
- Protection: Tach output, Locked-Rotor protection Reverse Polarity, Over-voltage protection, Soft Start
- Supply Voltage: 230V, 50/60Hz
- Mode of Operation: S1
- Insulation Class: F
- Operation Temperature: -25°C ~ +60°C
- Technical Features: Control input 0-10VDC/PWM

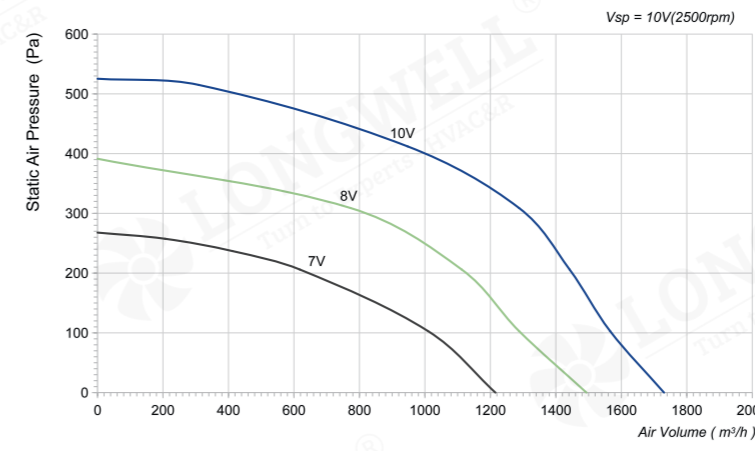


Technical Specifications

Model	Voltage (V)	Input Power (W)	Current (A)	Air Volume (m³/h)	Static Pressure (Pa)	Speed (RPM)	Noise [dB(A)]
LWBE3G250-072NS-21	230	140	1.1	1421	639	2760	77



LWBE-250 Serie



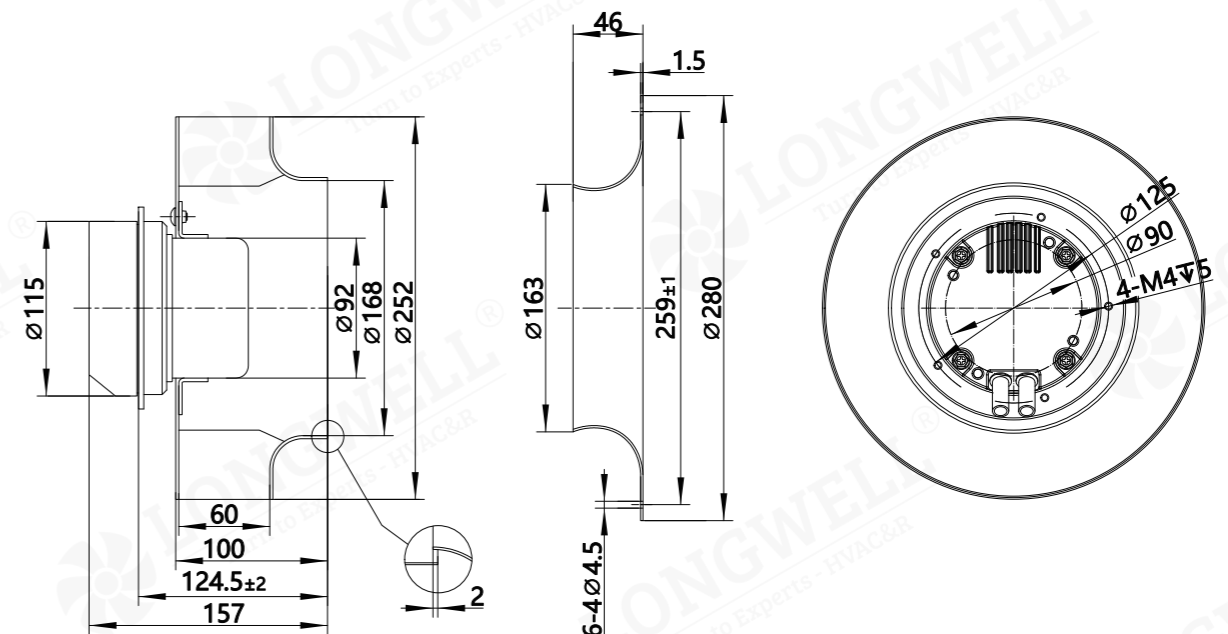
Product Characteristic

- Impeller Material: Aluminum Alloy
- Direction of Rotation: Clockwise, seen on rotor
- Protection Class: IP44
- Mounting Position: Horizontal or Vertical
- Bearing: Maintenance-free ball bearings
- Protection: Tach output, Locked-Rotor protection Reverse Polarity, Over-voltage protection, Soft Start
- Supply Voltage: 230V, 50/60Hz
- Mode of Operation: S1
- Insulation Class: B
- Operation Temperature: -25°C ~ +60°C
- Technical Features: Control input 0-10VDC/PWM

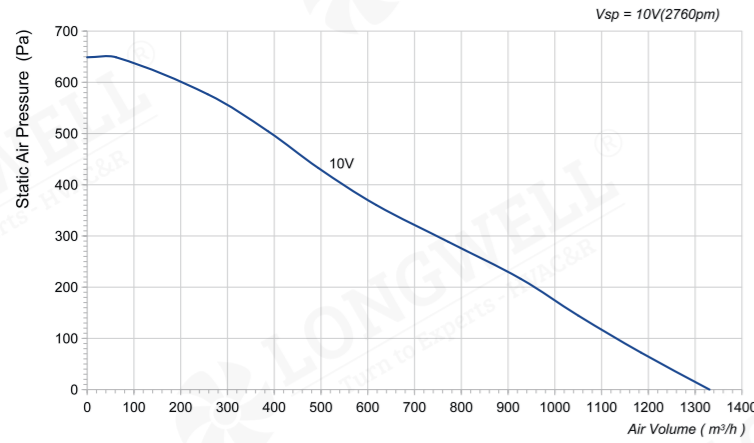


Technical Specifications

Model	Voltage (V)	Input Power (W)	Current (A)	Air Volume (m³/h)	Static Pressure (Pa)	Speed (RPM)	Noise [dB(A)]
LWBE3G250-092NS-22	230	145	1	1730	525	2500	74



LWBE-250 Serie



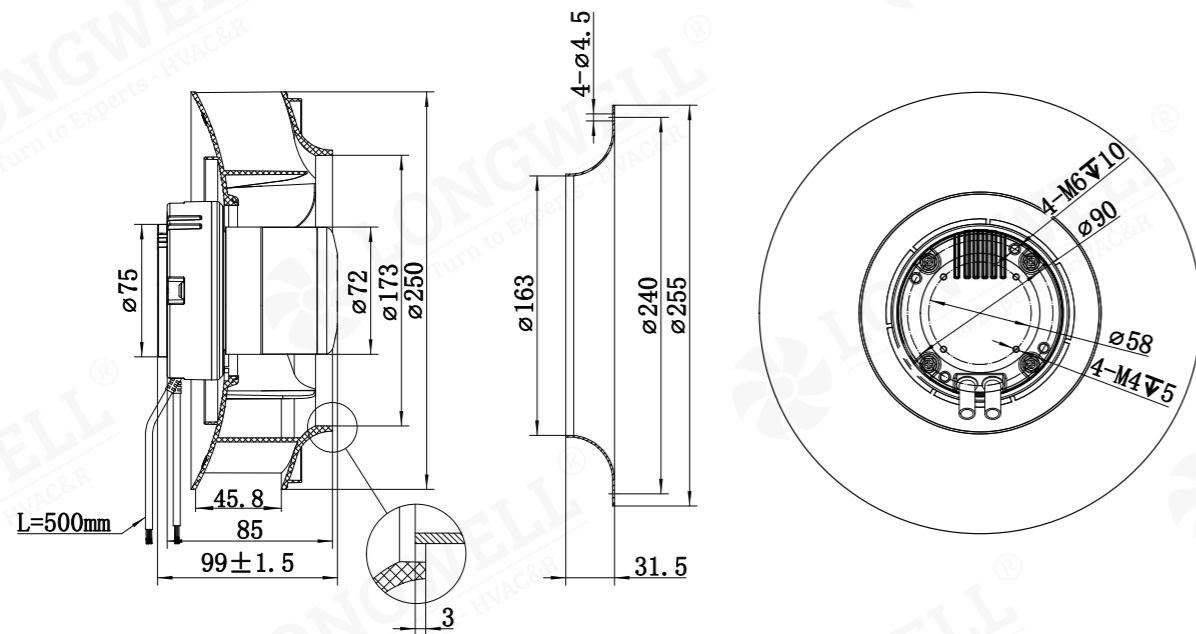
Product Characteristic

- Impeller Material: Plastic PA66
- Direction of Rotation: Clockwise, seen on rotor
- Protection Class: IP44
- Mounting Position: Horizontal or Vertical
- Bearing: Maintenance-free ball bearings
- Protection: Tach output, Locked-Rotor protection Reverse Polarity, Over-voltage protection, Soft Start
- Supply Voltage: 115V, 50/60Hz
- Mode of Operation: S1
- Insulation Class: F
- Operation Temperature: -25°C ~ +60°C
- Technical Features: Control input 0-10VDC/PWM

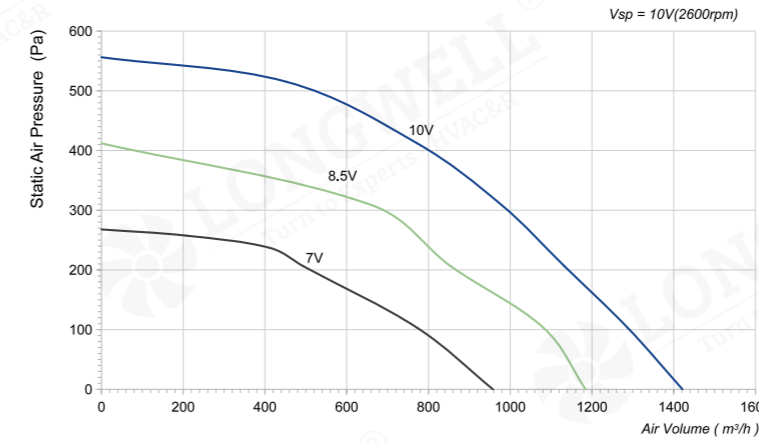


Technical Specifications

Model	Voltage (V)	Input Power (W)	Current (A)	Air Volume (m³/h)	Static Pressure (Pa)	Speed (RPM)	Noise [dB(A)]
LWBE3G250-072NU-20	115	160	2.28	1331	649	2760	68



LWBE-250 Serie



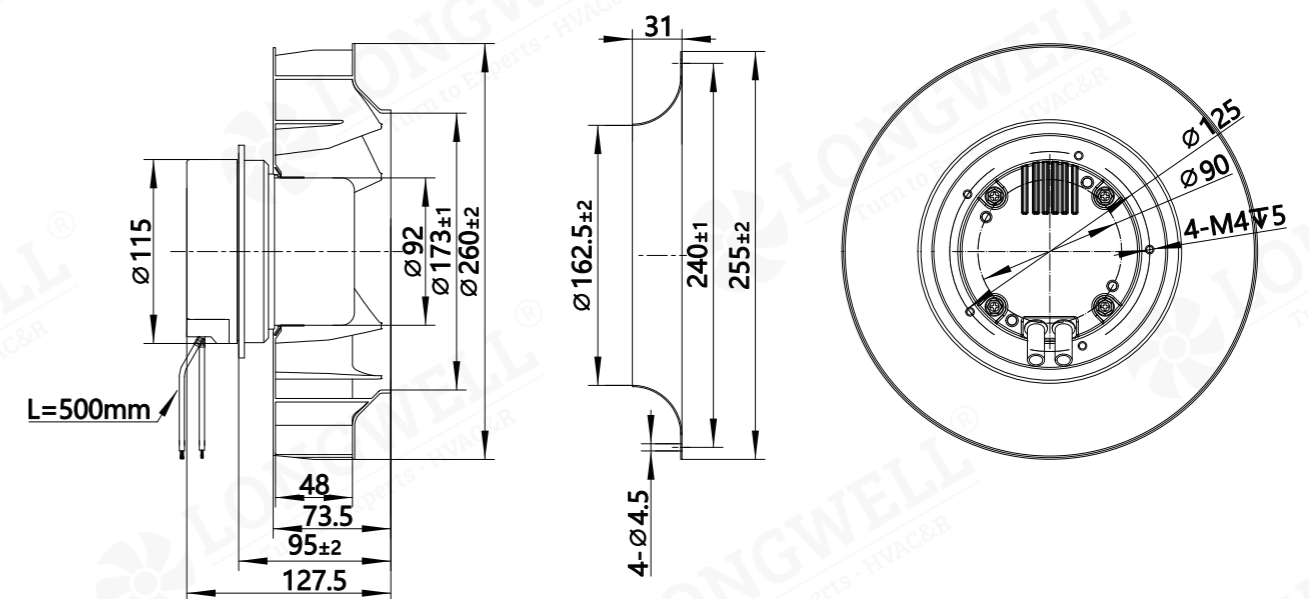
Product Characteristic

- Impeller Material: Plastic PA66
- Direction of Rotation: Clockwise, seen on rotor
- Protection Class: IP44
- Mounting Position: Horizontal or Vertical
- Bearing: Maintenance-free ball bearings
- Protection: Tach output, Locked-Rotor protection Reverse Polarity, Over-voltage protection, Soft Start
- Supply Voltage: 230V, 50/60Hz
- Mode of Operation: S1
- Insulation Class: B
- Operation Temperature: -25°C ~ +60°C
- Technical Features: Control input 0-10VDC/PWM

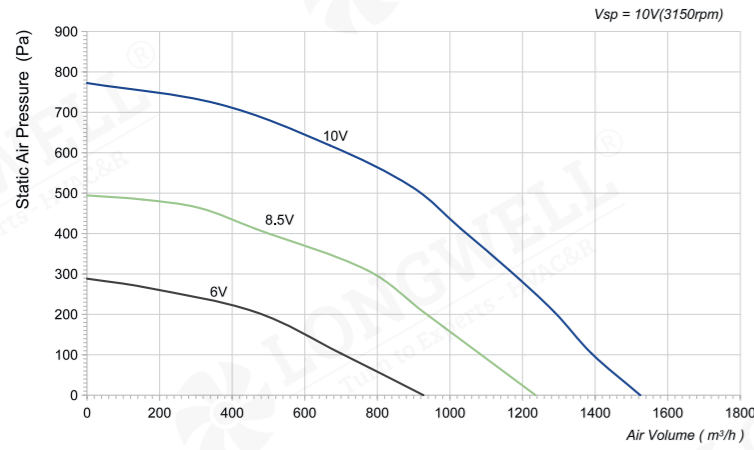


Technical Specifications

Model	Voltage (V)	Input Power (W)	Current (A)	Air Volume (m³/h)	Static Pressure (Pa)	Speed (RPM)	Noise [dB(A)]
LWBE3G250-092NS-23	230	170	1.1	1421	556	2600	69



LWBE-250 Serie



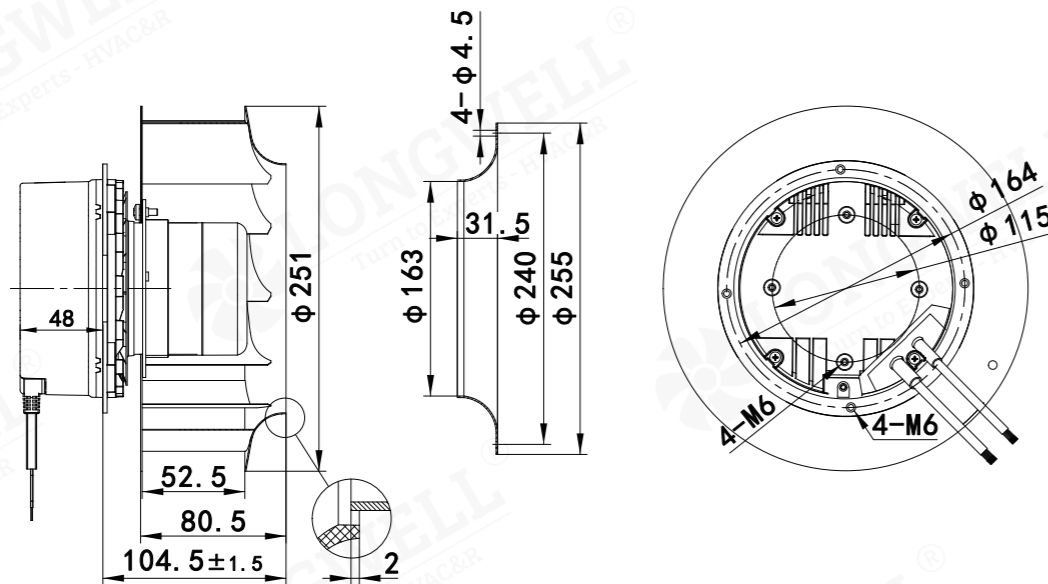
Product Characteristic

- Impeller Material: Galvanised sheet steel
- Direction of Rotation: Clockwise, seen on rotor
- Protection Class: IP44
- Mounting Position: Horizontal or Vertical
- Bearing: Maintenance-free ball bearings
- Protection: Tach output, Locked-Rotor protection Reverse Polarity, Over-voltage protection, Soft Start
- Supply Voltage: 230V, 50/60Hz
- Mode of Operation: S1
- Insulation Class: F
- Operation Temperature: -25°C ~ +60°C
- Technical Features: Control input 0-10VDC/PWM

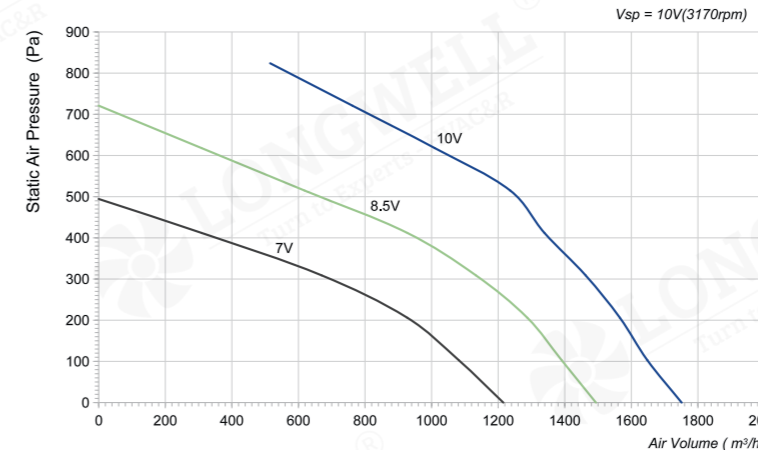


Technical Specifications

Model	Voltage (V)	Input Power (W)	Current (A)	Air Volume (m³/h)	Static Pressure (Pa)	Speed (RPM)	Noise [dB(A)]
LWBE3G250-102NS-24	230	240	1.6	1524	773	3150	78



LWBE-250 Serie



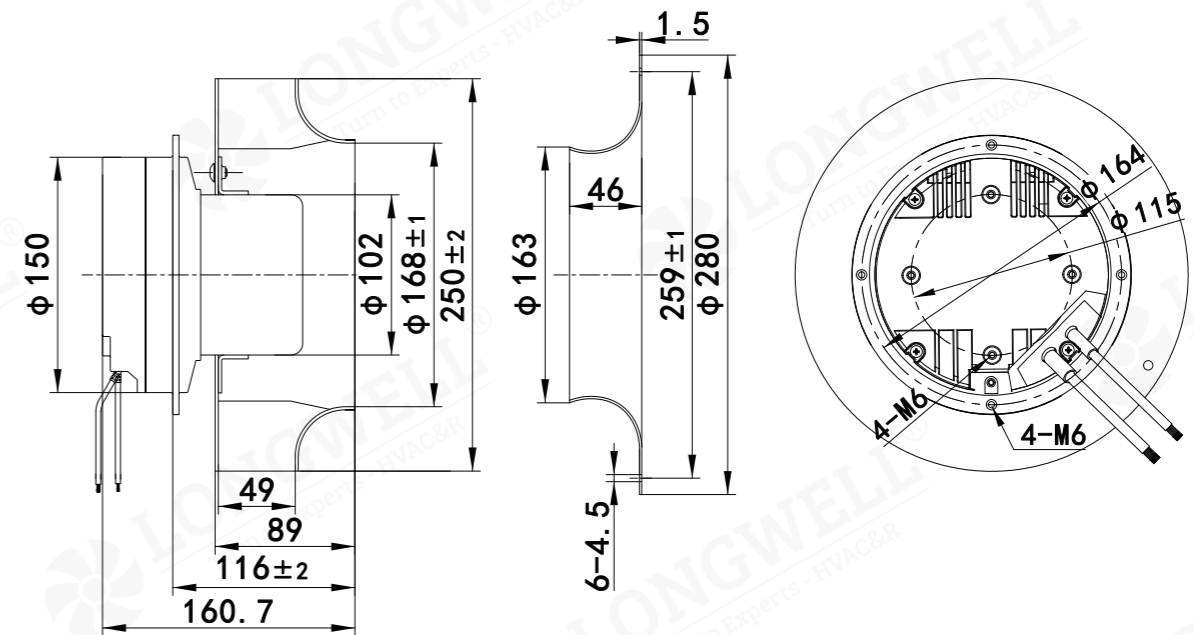
Product Characteristic

- Impeller Material: Aluminum Alloy
- Direction of Rotation: Clockwise, seen on rotor
- Protection Class: IP44
- Mounting Position: Horizontal or Vertical
- Bearing: Maintenance-free ball bearings
- Protection: Tach output, Locked-Rotor protection Reverse Polarity, Over-voltage protection, Soft Start
- Supply Voltage: 230V, 50/60Hz
- Mode of Operation: S1
- Insulation Class: B
- Operation Temperature: -25°C ~ +60°C
- Technical Features: Control input 0-10VDC/PWM

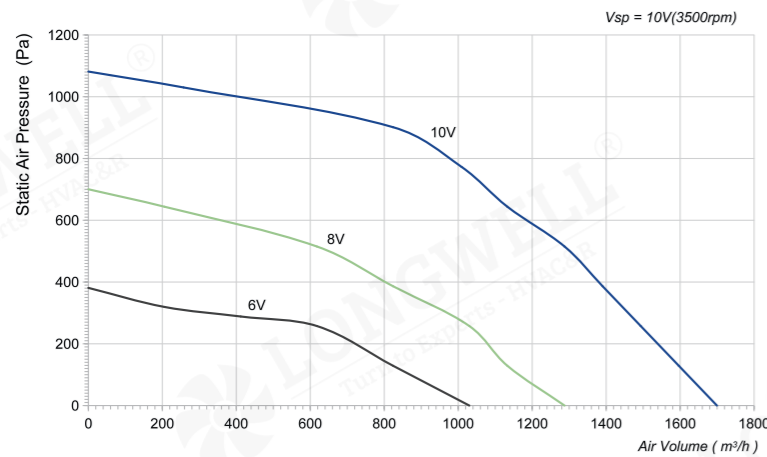


Technical Specifications

Model	Voltage (V)	Input Power (W)	Current (A)	Air Volume (m³/h)	Static Pressure (Pa)	Speed (RPM)	Noise [dB(A)]
LWBE3G250-102NS-25	230	270	1.2	1751	824	3170	84



LWBE-250 Serie



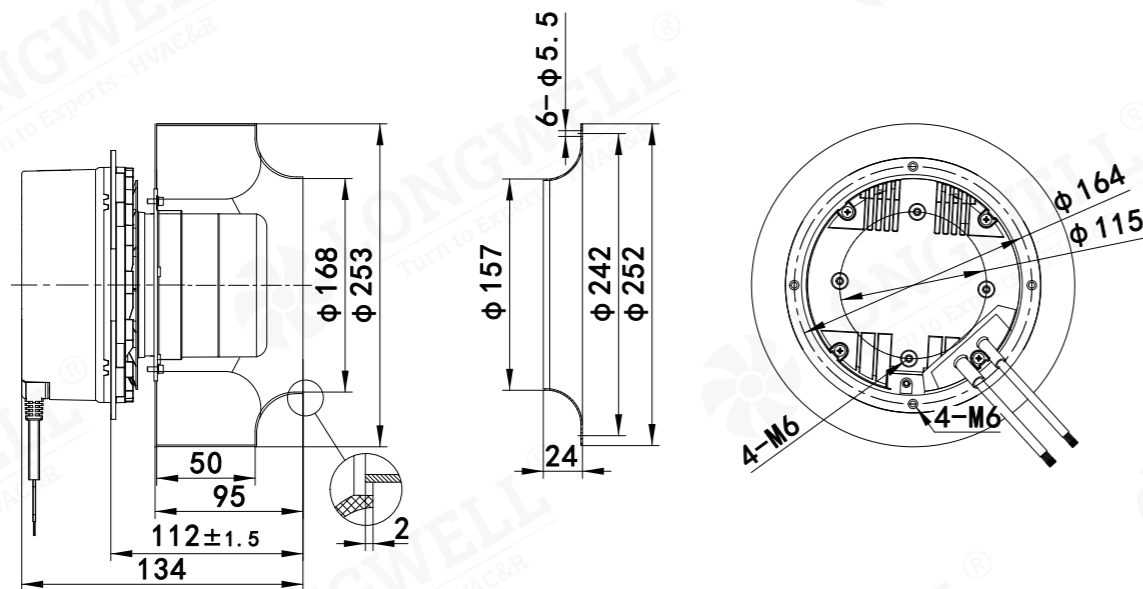
Product Characteristic

- Impeller Material: Aluminum Alloy
- Direction of Rotation: Clockwise, seen on rotor
- Protection Class: IP44
- Mounting Position: Horizontal or Vertical
- Bearing: Maintenance-free ball bearings
- Protection: Tach output, Locked-Rotor protection Reverse Polarity, Over-voltage protection, Soft Start
- Supply Voltage: 230V, 50/60Hz
- Mode of Operation: S1
- Insulation Class: F
- Operation Temperature: -25°C ~ +60°C
- Technical Features: Control input 0-10VDC/PWM

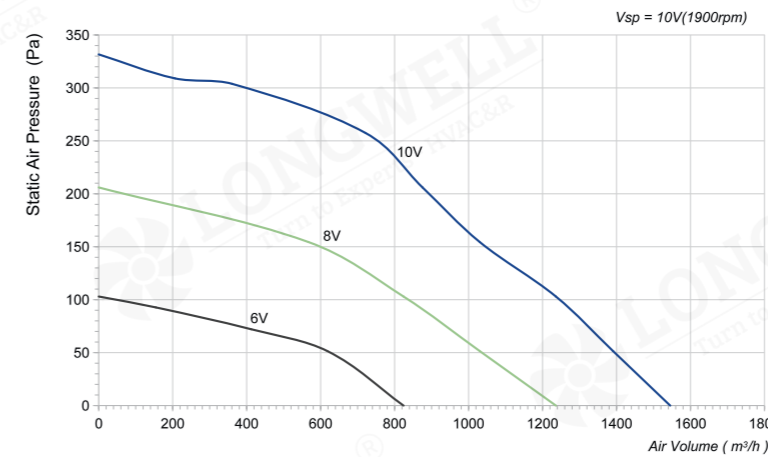


Technical Specifications

Model	Voltage (V)	Input Power (W)	Current (A)	Air Volume (m³/h)	Static Pressure (Pa)	Speed (RPM)	Noise [dB(A)]
LWBE3G250-102NS-26	230	370	2.6	1700	1082	3500	82



LWBE-270 Serie



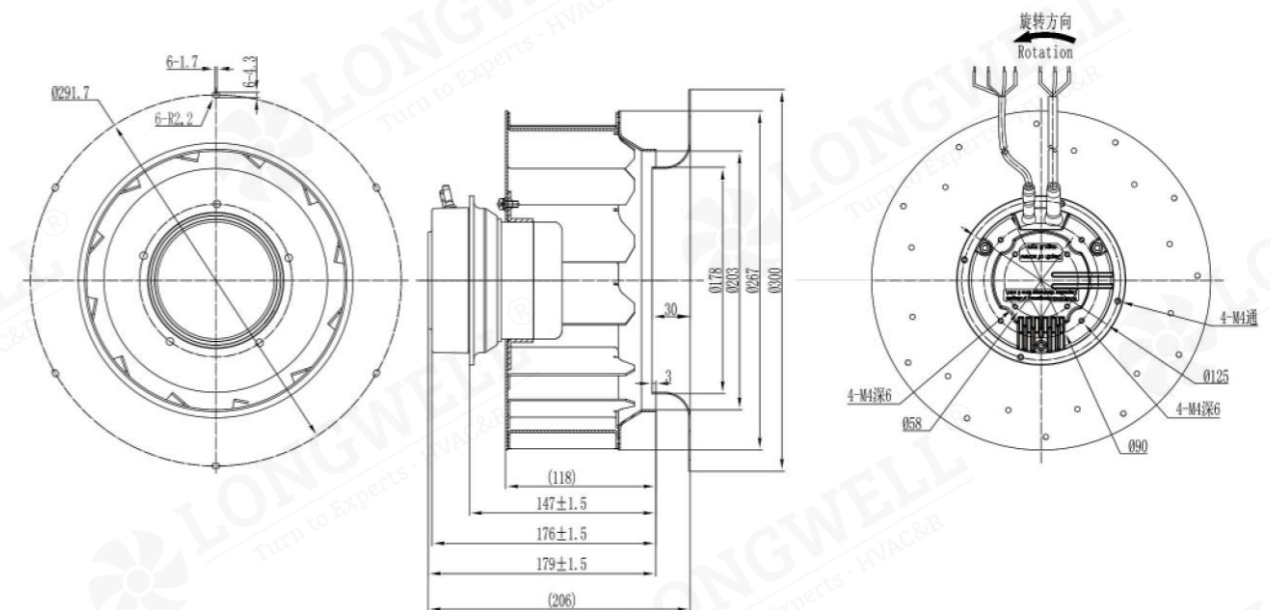
Product Characteristic

- Impeller Material: Aluminum Alloy
- Direction of Rotation: Clockwise, seen on rotor
- Protection Class: IP44
- Mounting Position: Horizontal or Vertical
- Bearing: Maintenance-free ball bearings
- Protection: Tach output, Locked-Rotor protection Reverse Polarity, Over-voltage protection, Soft Start
- Supply Voltage: 230V, 50/60Hz
- Mode of Operation: S1
- Insulation Class: F
- Operation Temperature: -25°C ~ +60°C
- Technical Features: Control input 0-10VDC/PWM

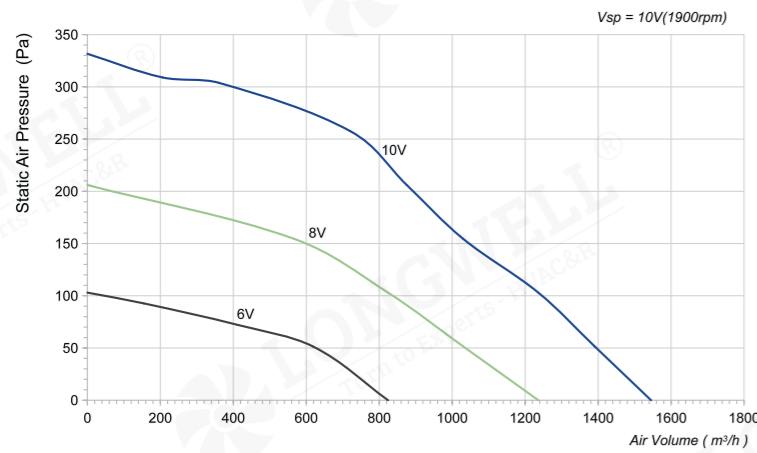


Technical Specifications

Model	Voltage (V)	Input Power (W)	Current (A)	Air Volume (m³/h)	Static Pressure (Pa)	Speed (RPM)	Noise [dB(A)]
LWBE3G270-092NS-02	230	150	1.3	1545	332	1900	68



LWBE-270 Serie



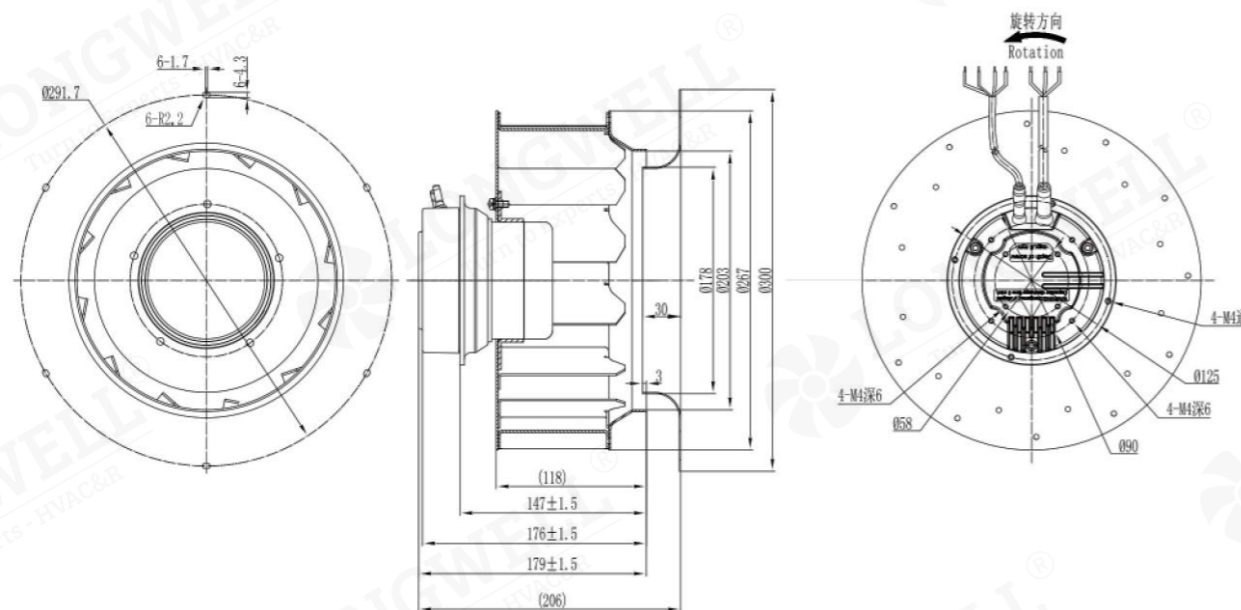
Product Characteristic

- Impeller Material: Aluminum Alloy
- Direction of Rotation: Clockwise, seen on rotor
- Protection Class: IP44
- Mounting Position: Horizontal or Vertical
- Bearing: Maintenance-free ball bearings
- Protection: Tach output, Locked-Rotor protection Reverse Polarity, Over-voltage protection, Soft Start
- Supply Voltage: 115V, 50/60Hz
- Mode of Operation: S1
- Insulation Class: F
- Operation Temperature: -25°C ~ +60°C
- Technical Features: Control input 0-10VDC/PWM

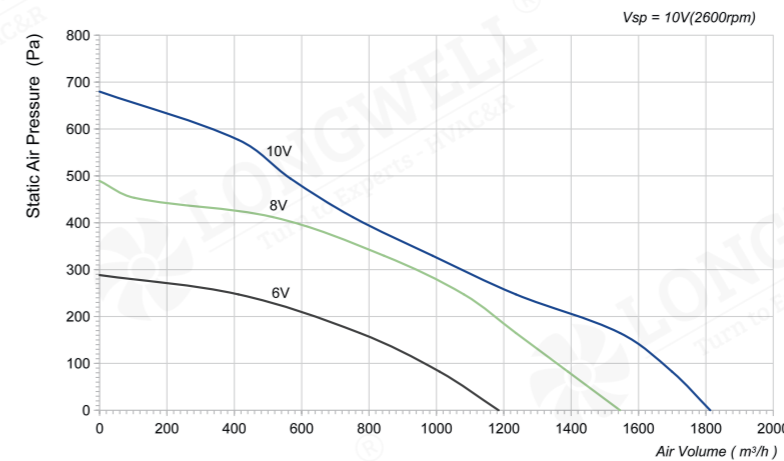


Technical Specifications

Model	Voltage (V)	Input Power (W)	Current (A)	Air Volume (m³/h)	Static Pressure (Pa)	Speed (RPM)	Noise [dB(A)]
LWBE3G270-092NU-01	115	170	2.3	1545	332	1900	68



LWBE-280 Serie



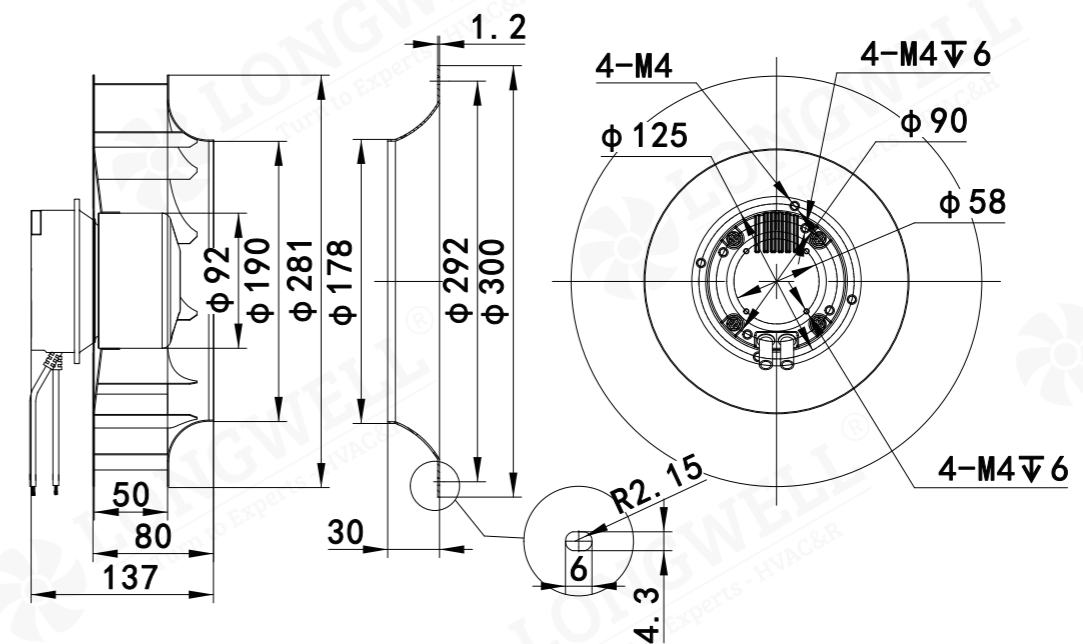
Product Characteristic

- Impeller Material: Galvanised sheet steel
- Direction of Rotation: Clockwise, seen on rotor
- Protection Class: IP44
- Mounting Position: Horizontal or Vertical
- Bearing: Maintenance-free ball bearings
- Protection: Tach output, Locked-Rotor protection Reverse Polarity, Over-voltage protection, Soft Start
- Supply Voltage: 230V, 50/60Hz
- Mode of Operation: S1
- Insulation Class: F
- Operation Temperature: -25°C ~ +60°C
- Technical Features: Control input 0-10VDC/PWM

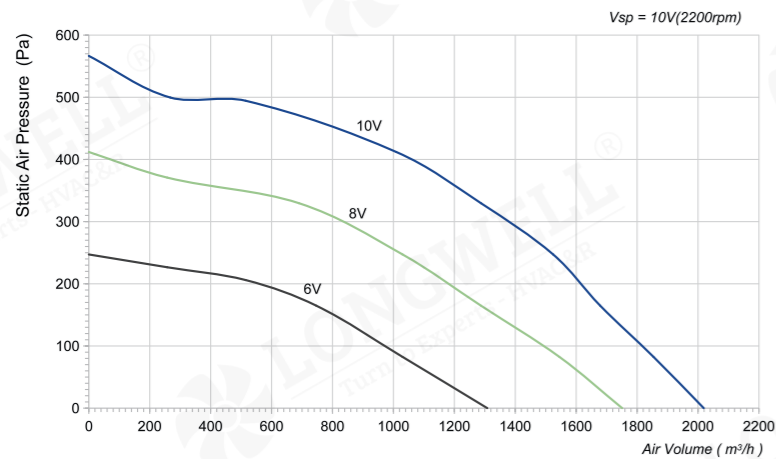


Technical Specifications

Model	Voltage (V)	Input Power (W)	Current (A)	Air Volume (m³/h)	Static Pressure (Pa)	Speed (RPM)	Noise [dB(A)]
LWBE3G280-092NS-12	230	165	1.25	1813	680	2600	74



LWBE-280 Serie



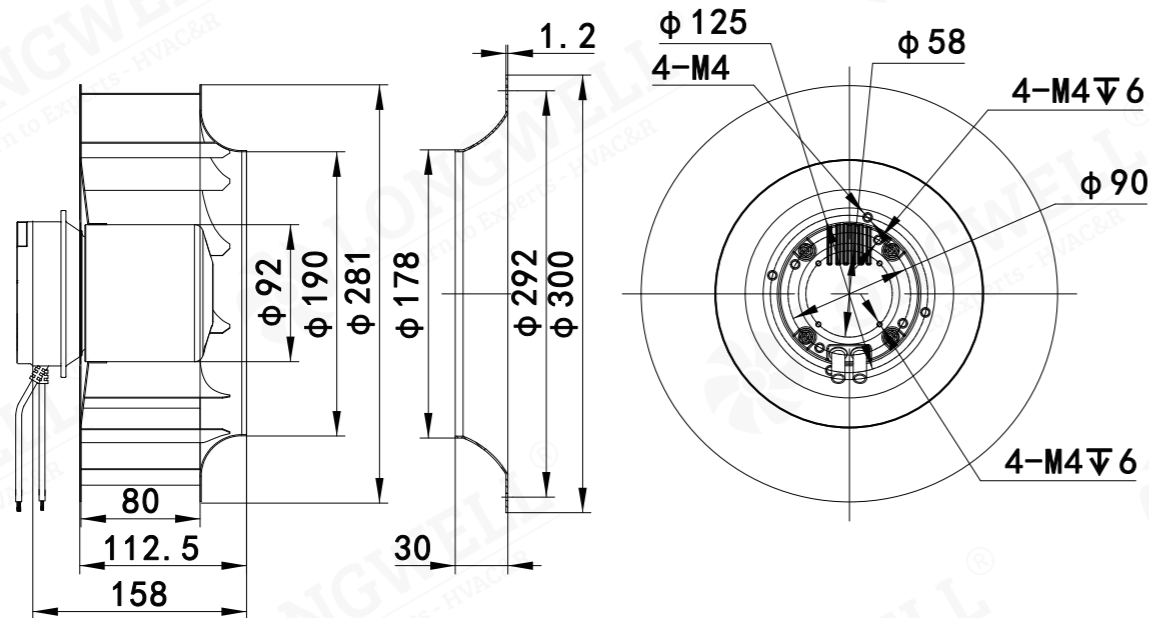
Product Characteristic

- Impeller Material: Galvanised sheet steel
- Direction of Rotation: Clockwise, seen on rotor
- Protection Class: IP44
- Mounting Position: Horizontal or Vertical
- Bearing: Maintenance-free ball bearings
- Protection: Tach output, Locked-Rotor protection Reverse Polarity, Over-voltage protection, Soft Start
- Supply Voltage: 230V, 50/60Hz
- Mode of Operation: S1
- Insulation Class: F
- Operation Temperature: -25°C ~ +60°C
- Technical Features: Control input 0-10VDC/PWM

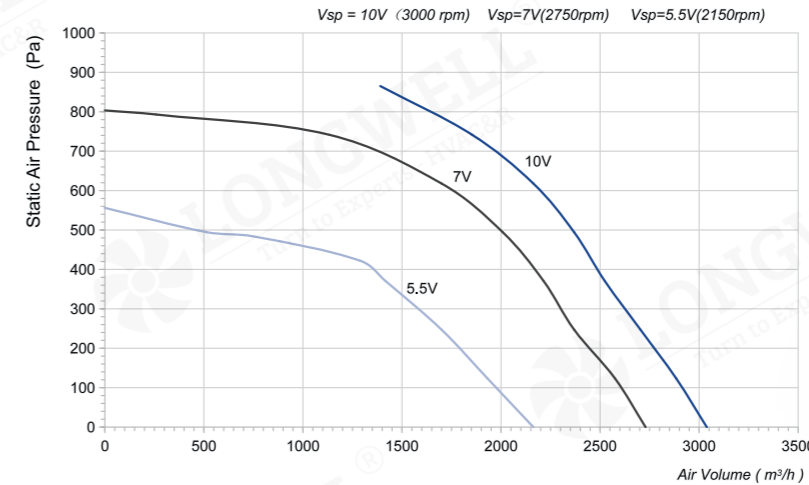


Technical Specifications

Model	Voltage (V)	Input Power (W)	Current (A)	Air Volume (m³/h)	Static Pressure (Pa)	Speed (RPM)	Noise [dB(A)]
LWBE3G280-092NS-17	230	180	1.35	2019	546	2200	72



LWBE-280 Serie



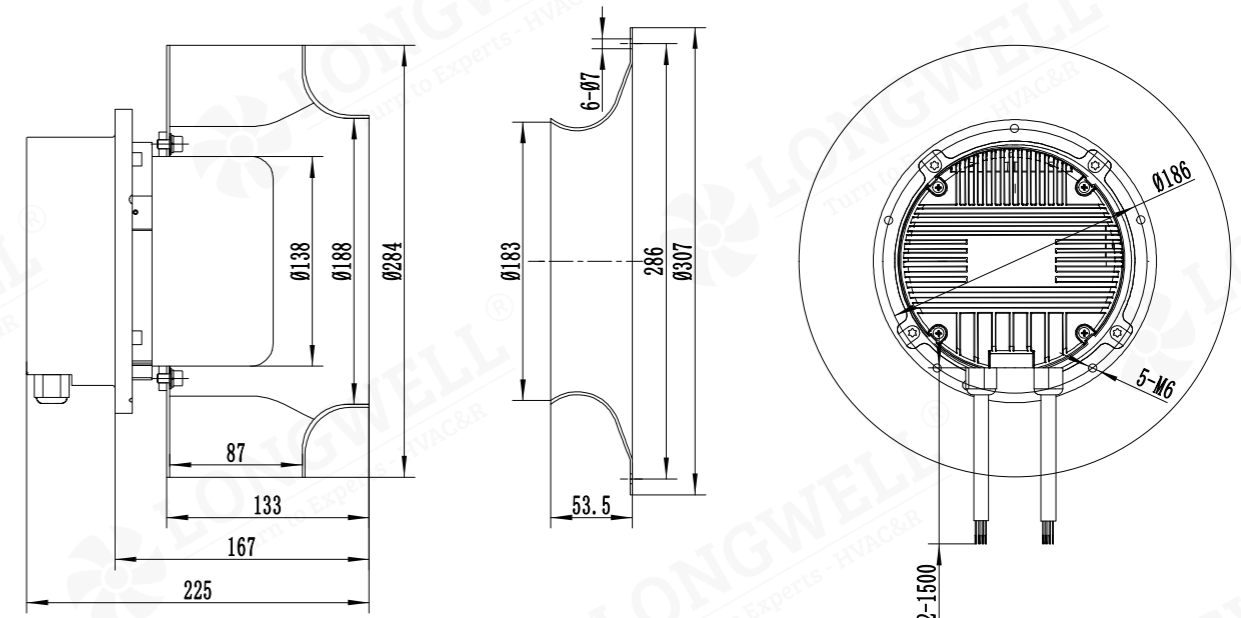
Product Characteristic

- Impeller Material: Aluminum Alloy
- Direction of Rotation: Clockwise, seen on rotor
- Protection Class: IP44
- Mounting Position: Horizontal or Vertical
- Bearing: Maintenance-free ball bearings
- Protection: Tach output, Locked-Rotor protection Reverse Polarity, Over-voltage protection, Soft Start
- Supply Voltage: 400V, 50/60Hz
- Mode of Operation: S1
- Insulation Class: F
- Operation Temperature: -25°C ~ +60°C
- Technical Features: Control input 0-10VDC/PWM

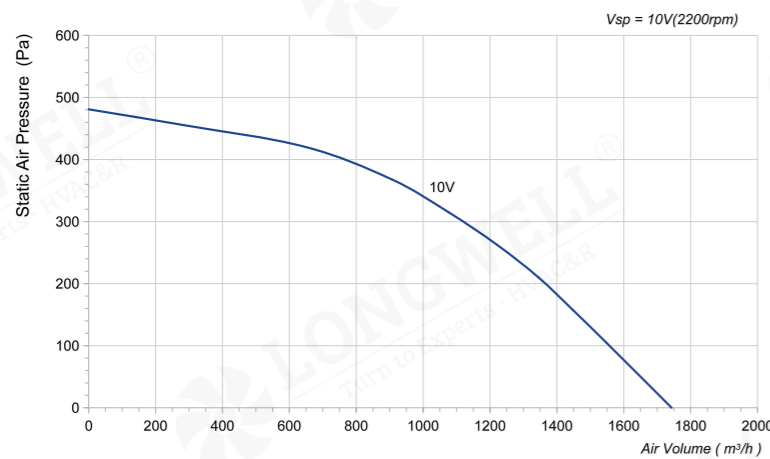


Technical Specifications

Model	Voltage (V)	Input Power (W)	Current (A)	Air Volume (m³/h)	Static Pressure (Pa)	Speed (RPM)	Noise [dB(A)]
LWBE3G280-138NT-03	400	860	1.22	3028	886	3000	85



LWBE-280 Serie



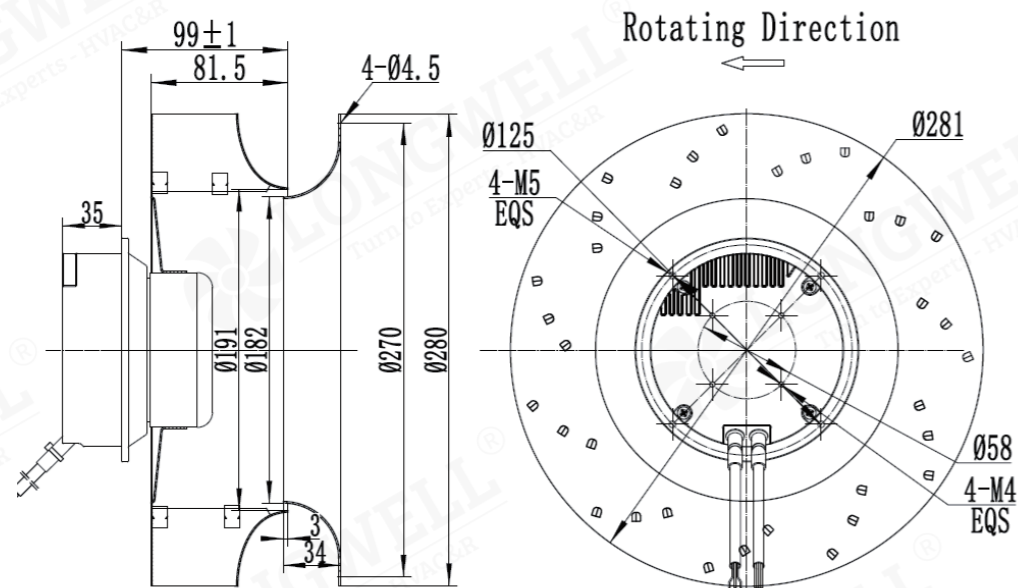
Product Characteristic

- Impeller Material: Galvanised sheet steel
- Direction of Rotation: Clockwise, seen on rotor
- Protection Class: IP54
- Mounting Position: Horizontal or Vertical
- Bearing: Maintenance-free ball bearings
- Protection: Tach output, Locked-Rotor protection Reverse Polarity, Over-voltage protection, Soft Start
- Supply Voltage: 230V, 50/60Hz
- Mode of Operation: S1
- Insulation Class: F
- Operation Temperature: -25°C ~ +60°C
- Technical Features: Control input 0-10VDC/PWM

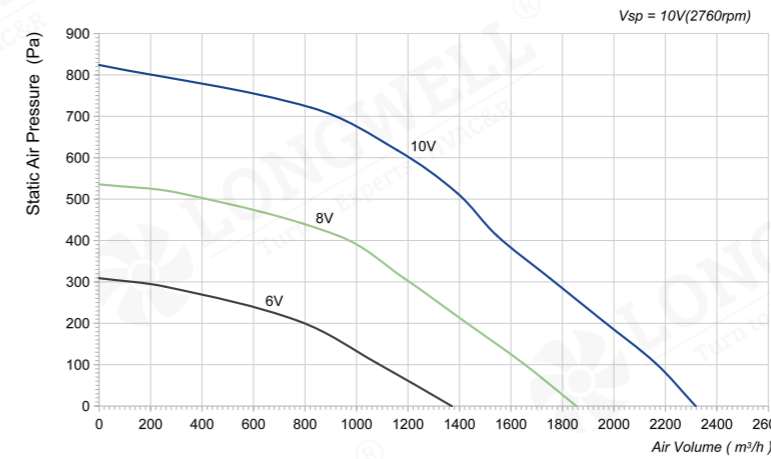


Technical Specifications

Model	Voltage (V)	Input Power (W)	Current (A)	Air Volume (m³/h)	Static Pressure (Pa)	Speed (RPM)	Noise [dB(A)]
LWBE3G280-092NS-13	230	105	0.86	1743	481	2200	/



LWBE-280 Serie



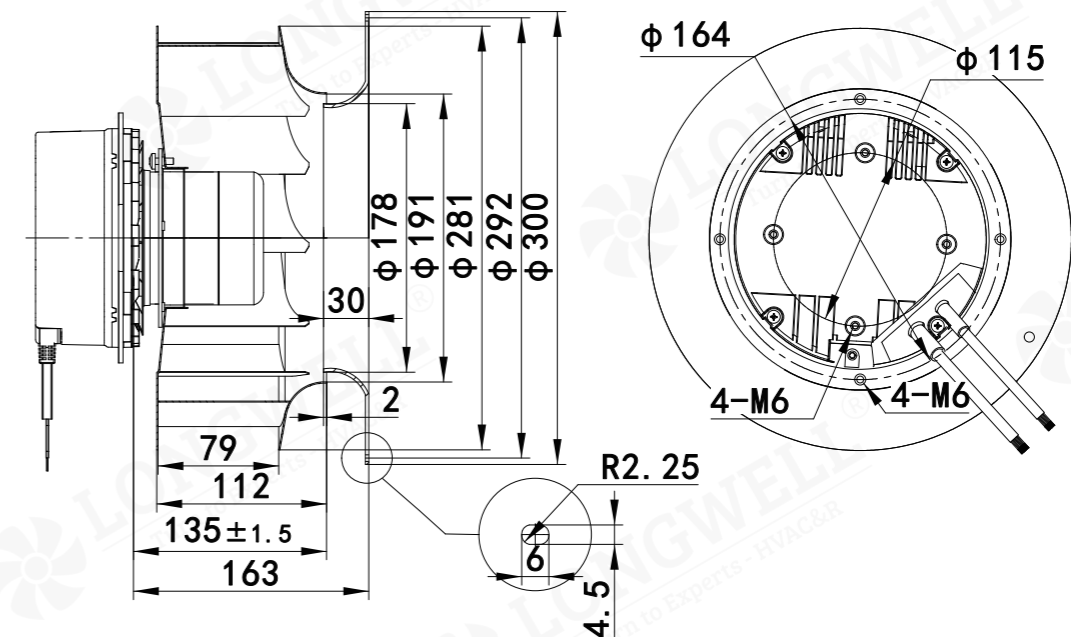
Product Characteristic

- Impeller Material: Aluminum Alloy
- Direction of Rotation: Clockwise, seen on rotor
- Protection Class: IP44
- Mounting Position: Horizontal or Vertical
- Bearing: Maintenance-free ball bearings
- Protection: Tach output, Locked-Rotor protection Reverse Polarity, Over-voltage protection, Soft Start
- Supply Voltage: 230V, 50/60Hz
- Mode of Operation: S1
- Insulation Class: F
- Operation Temperature: -25°C ~ +60°C
- Technical Features: Control input 0-10VDC/PWM

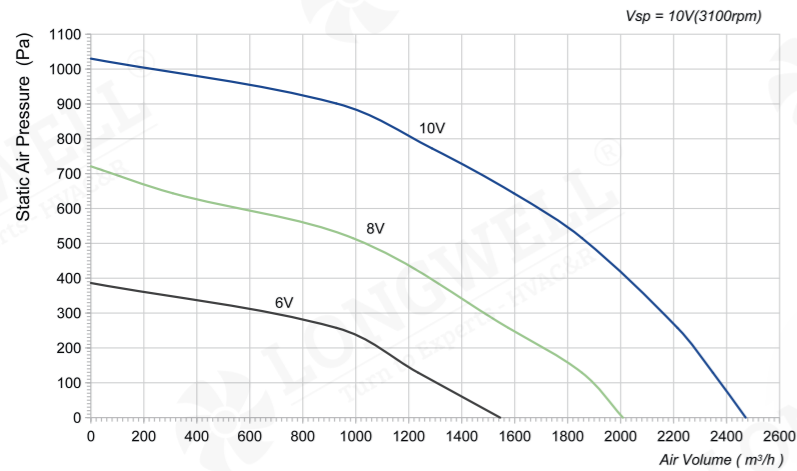


Technical Specifications

Model	Voltage (V)	Input Power (W)	Current (A)	Air Volume (m³/h)	Static Pressure (Pa)	Speed (RPM)	Noise [dB(A)]
LWBE3G280-102NS-14	230	340	2.3	2318	824	2760	78



LWBE-280 Serie



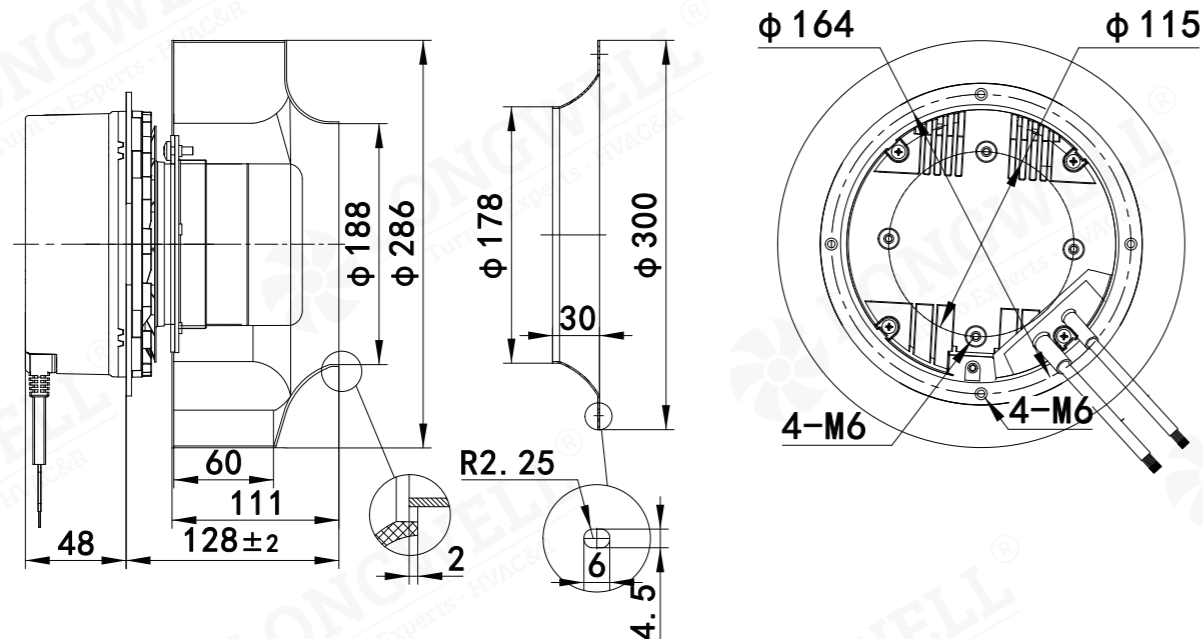
Product Characteristic

- Impeller Material: Aluminum Alloy
- Direction of Rotation: Clockwise, seen on rotor
- Protection Class: IP44
- Mounting Position: Horizontal or Vertical
- Bearing: Maintenance-free ball bearings
- Protection: Tach output, Locked-Rotor protection Reverse Polarity, Over-voltage protection, Soft Start
- Supply Voltage: 230V, 50/60Hz
- Mode of Operation: S1
- Insulation Class: F
- Operation Temperature: -25°C ~ +60°C
- Technical Features: Control input 0-10VDC/PWM

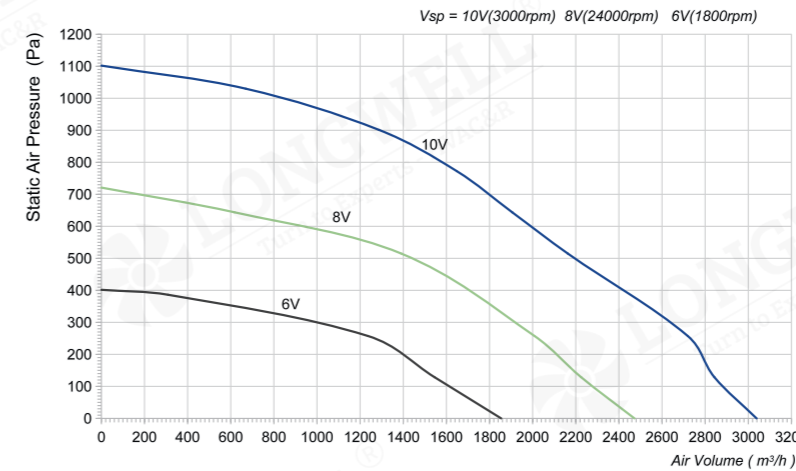


Technical Specifications

Model	Voltage (V)	Input Power (W)	Current (A)	Air Volume (m³/h)	Static Pressure (Pa)	Speed (RPM)	Noise [dB(A)]
LWBE3G280-102NS-15	230	475	3.1	2472	1051	3100	82



LWBE-280 Serie



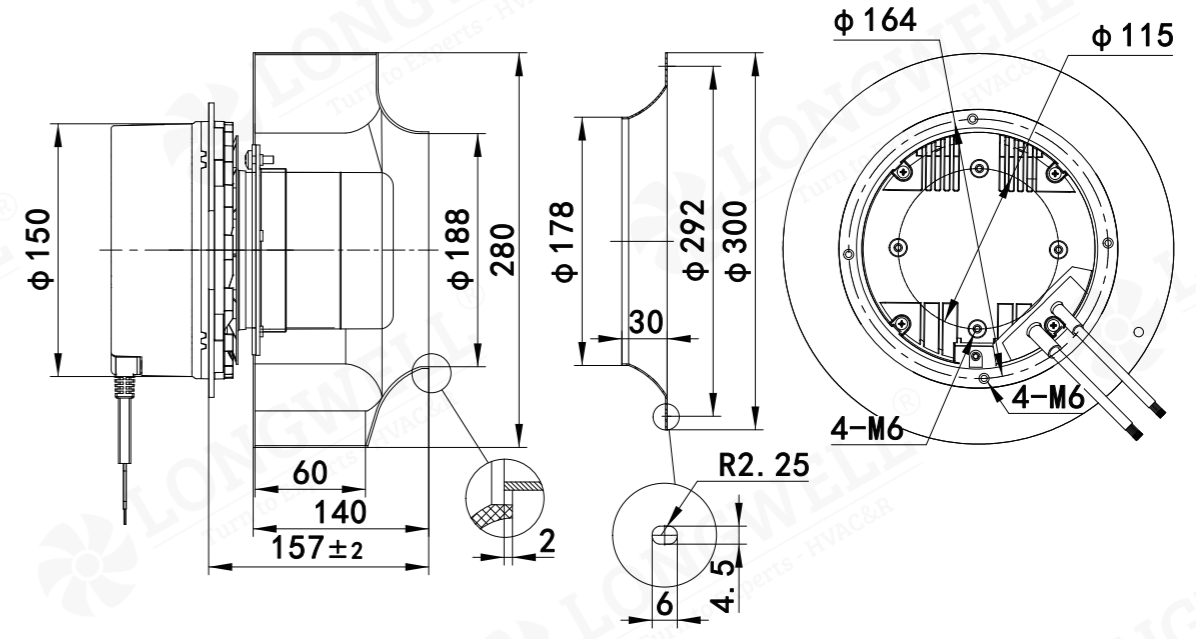
Product Characteristic

- Impeller Material: Galvanised sheet steel
- Direction of Rotation: Clockwise, seen on rotor
- Protection Class: IP44
- Mounting Position: Horizontal or Vertical
- Bearing: Maintenance-free ball bearings
- Protection: Tach output, Locked-Rotor protection Reverse Polarity, Over-voltage protection, Soft Start
- Supply Voltage: 230V, 50/60Hz
- Mode of Operation: S1
- Insulation Class: F
- Operation Temperature: -25°C ~ +60°C
- Technical Features: Control input 0-10VDC/PWM

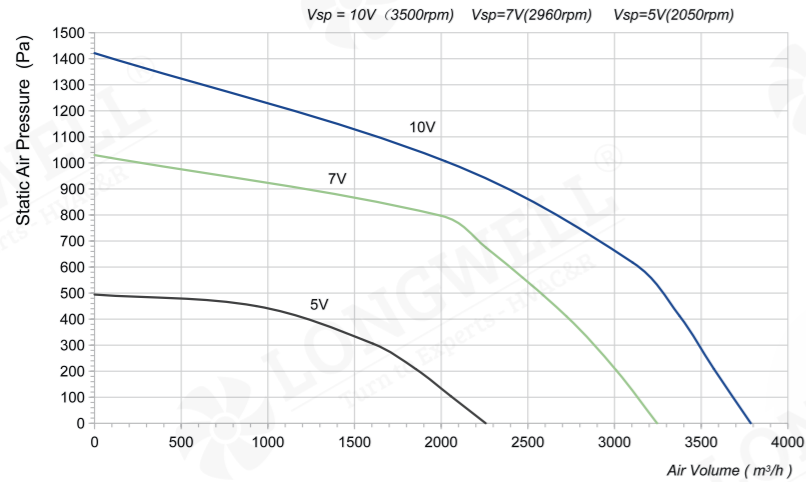


Technical Specifications

Model	Voltage (V)	Input Power (W)	Current (A)	Air Volume (m³/h)	Static Pressure (Pa)	Speed (RPM)	Noise [dB(A)]
LWBE3G280-102NS-19	230	625	4	3039	1102	3000	82



LWBE-280 Serie



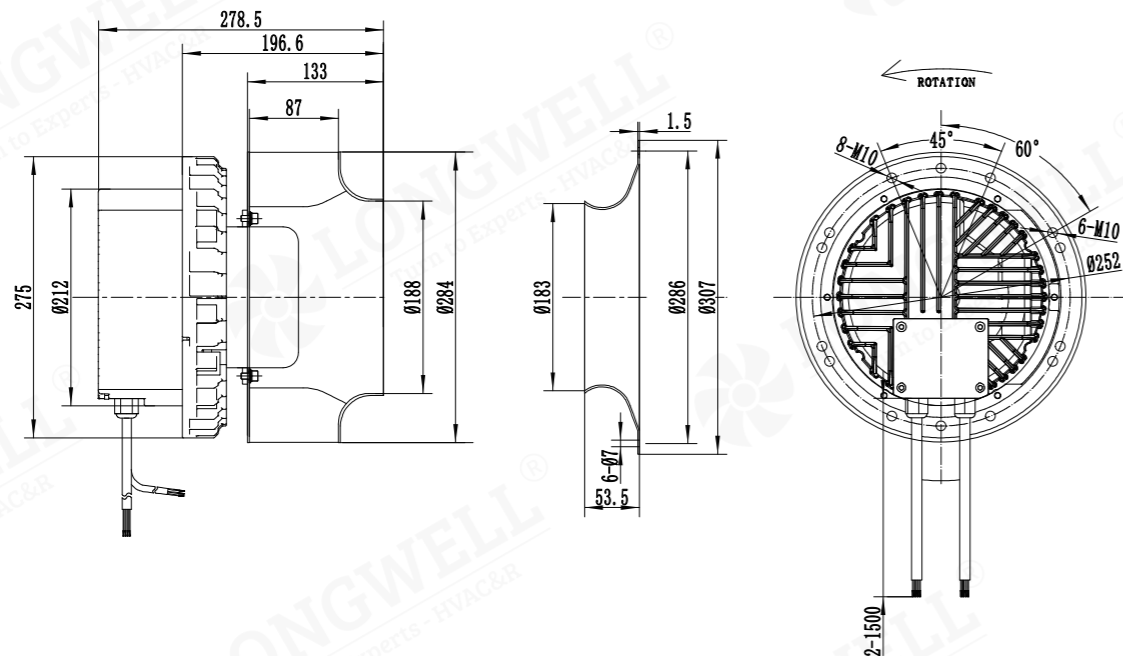
Product Characteristic

- Impeller Material: Aluminum Alloy
- Direction of Rotation: Clockwise, seen on rotor
- Protection Class: IP44
- Mounting Position: Horizontal or Vertical
- Bearing: Maintenance-free ball bearings
- Protection: Tach output, Locked-Rotor protection Reverse Polarity, Over-voltage protection, Soft Start
- Supply Voltage: 400V, 50/60Hz
- Mode of Operation: S1
- Insulation Class: F
- Operation Temperature: -25°C ~ +60°C
- Technical Features: Control input 0-10VDC/PWM

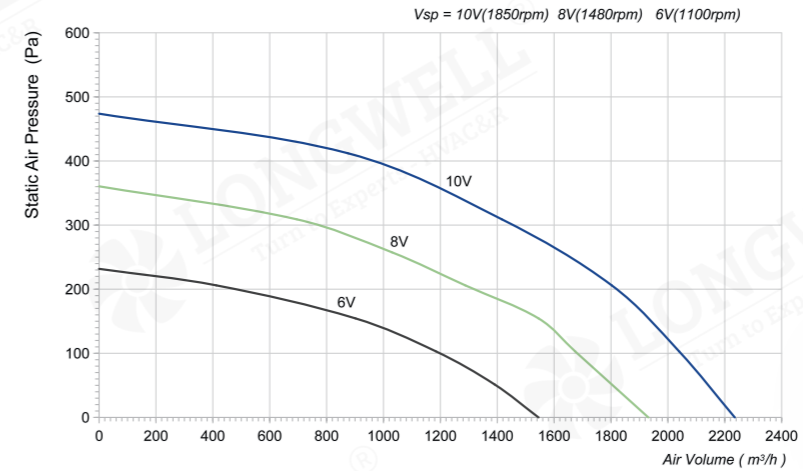


Technical Specifications

Model	Voltage (V)	Input Power (W)	Current (A)	Air Volume (m³/h)	Static Pressure (Pa)	Speed (RPM)	Noise [dB(A)]
LWBE3G280-138NT-18	400	1355	1.9	3790	1421	3500	89



LWBE-310 Serie



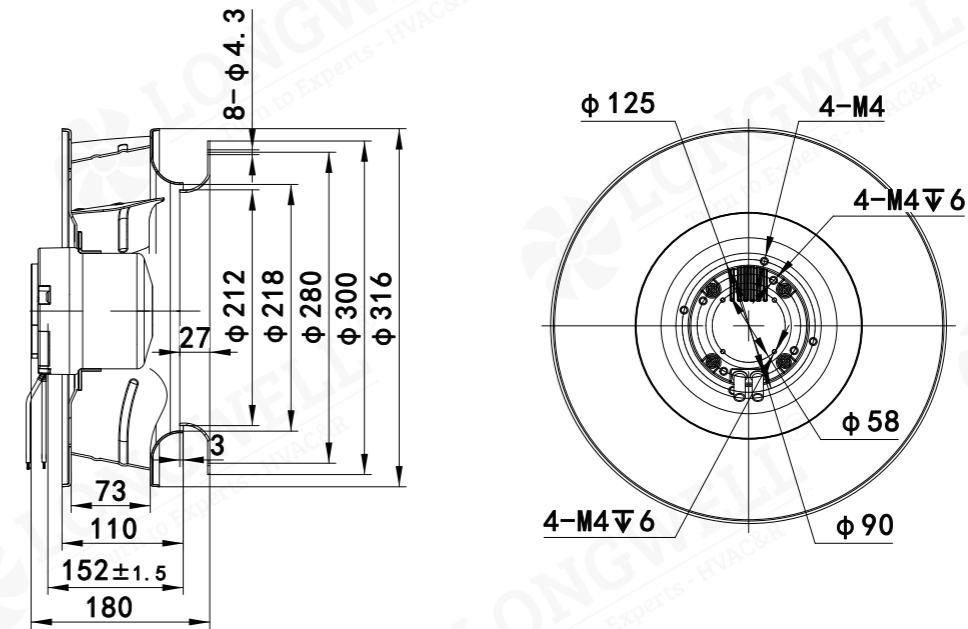
Product Characteristic

- Impeller Material: Aluminum Alloy
- Direction of Rotation: Clockwise, seen on rotor
- Protection Class: IP44
- Mounting Position: Horizontal or Vertical
- Bearing: Maintenance-free ball bearings
- Protection: Tach output, Locked-Rotor protection Reverse Polarity, Over-voltage protection, Soft Start
- Supply Voltage: 230V, 50/60Hz
- Mode of Operation: S1
- Insulation Class: F
- Operation Temperature: -25°C ~ +60°C
- Technical Features: Control input 0-10VDC/PWM

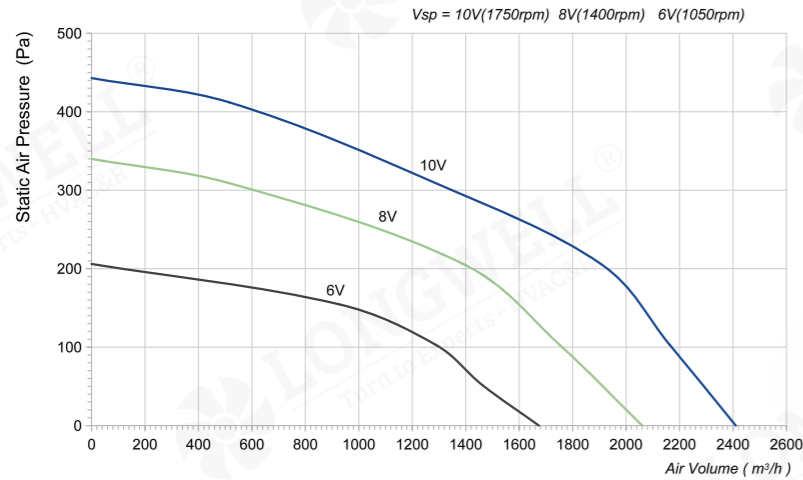


Technical Specifications

Model	Voltage (V)	Input Power (W)	Current (A)	Air Volume (m³/h)	Static Pressure (Pa)	Speed (RPM)	Noise [dB(A)]
LWBE3G310-092NS-20	230	160	1.25	2235	474	1850	75



LWBE-310 Serie



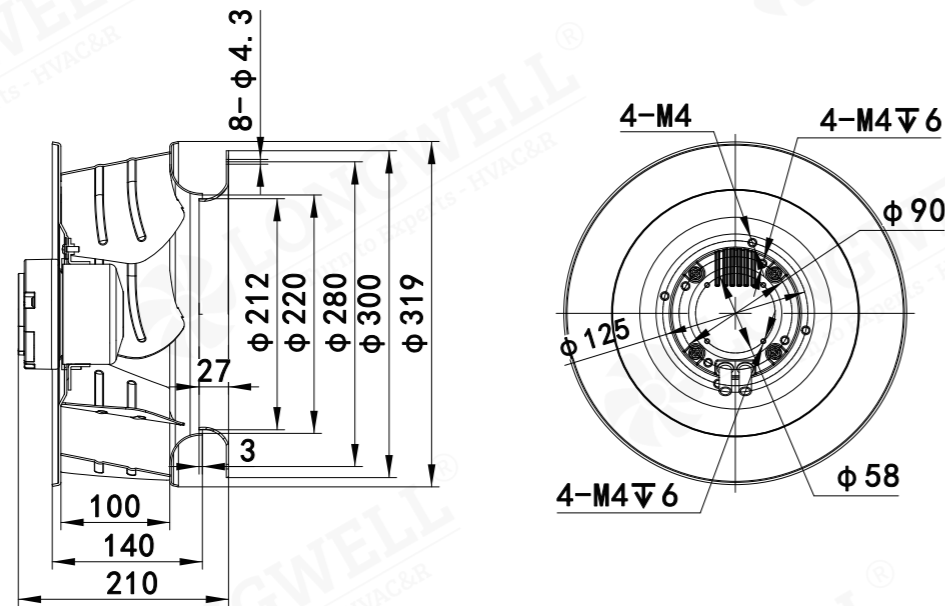
Product Characteristic

- Impeller Material: Aluminum Alloy
- Direction of Rotation: Clockwise, seen on rotor
- Protection Class: IP44
- Mounting Position: Horizontal or Vertical
- Bearing: Maintenance-free ball bearings
- Protection: Tach output, Locked-Rotor protection Reverse Polarity, Over-voltage protection, Soft Start
- Supply Voltage: 230V, 50/60Hz
- Mode of Operation: S1
- Insulation Class: F
- Operation Temperature: -25°C ~ +60°C
- Technical Features: Control input 0-10VDC/PWM

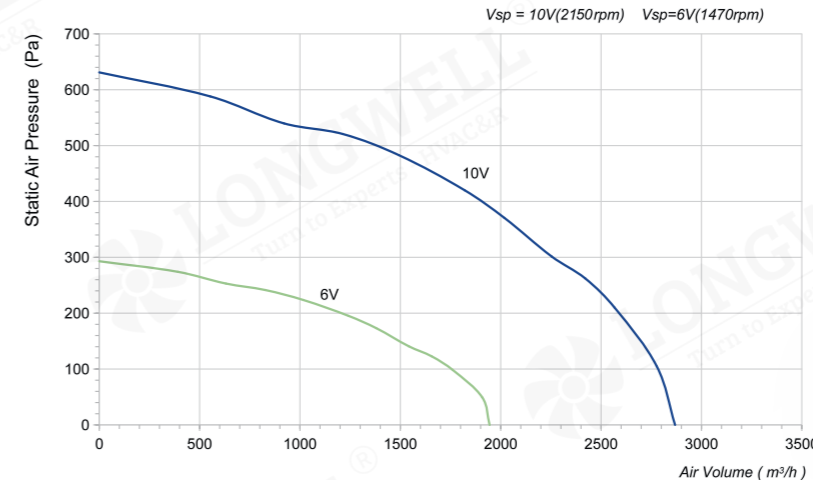


Technical Specifications

Model	Voltage (V)	Input Power (W)	Current (A)	Air Volume (m³/h)	Static Pressure (Pa)	Speed (RPM)	Noise [dB(A)]
LWBE3G310-092NS-17	230	150	1.2	2410	443	1750	75



LWBE-310 Serie



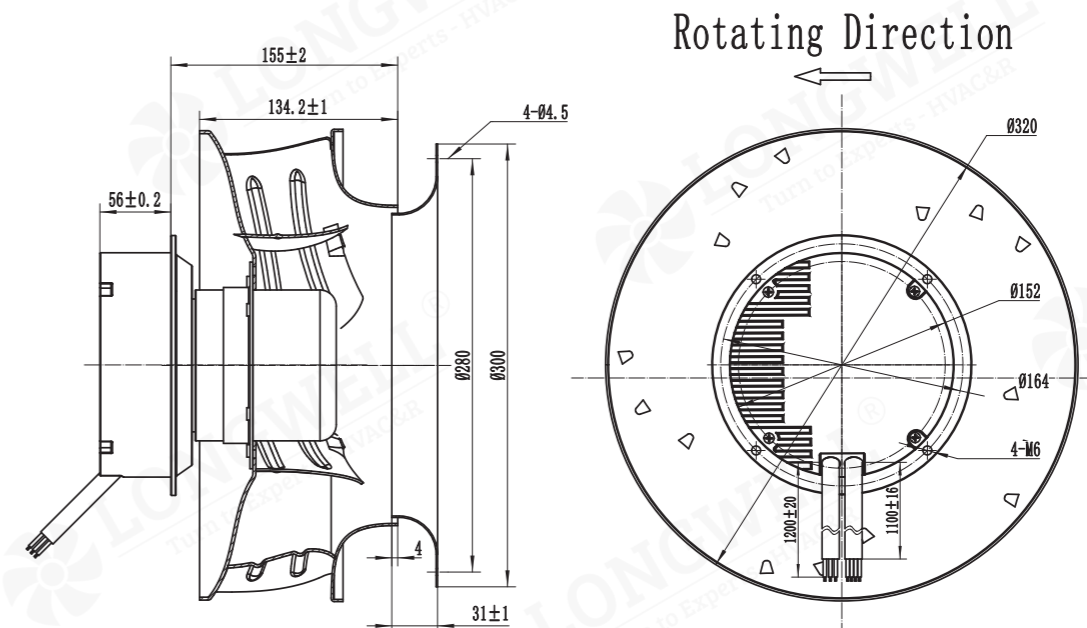
Product Characteristic

- Impeller Material: Aluminum Alloy
- Direction of Rotation: Clockwise, seen on rotor
- Protection Class: IP54
- Mounting Position: Horizontal or Vertical
- Bearing: Maintenance-free ball bearings
- Protection: Tach output, Locked-Rotor protection Reverse Polarity, Over-voltage protection, Soft Start
- Supply Voltage: 230V, 50/60Hz
- Mode of Operation: S1
- Insulation Class: F
- Operation Temperature: -25°C ~ +60°C
- Technical Features: Control input 0-10VDC/PWM

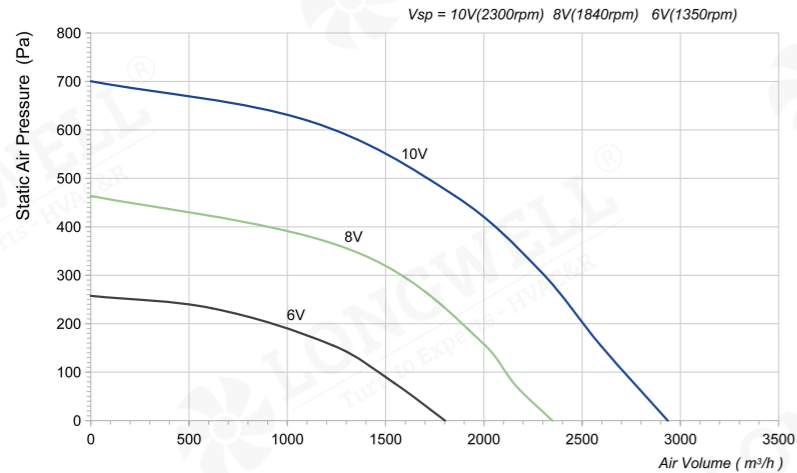


Technical Specifications

Model	Voltage (V)	Input Power (W)	Current (A)	Air Volume (m³/h)	Static Pressure (Pa)	Speed (RPM)	Noise [dB(A)]
LWBE3G310-102NS-16	230	285	1.57	2869	630	2150	70



LWBE-310 Serie



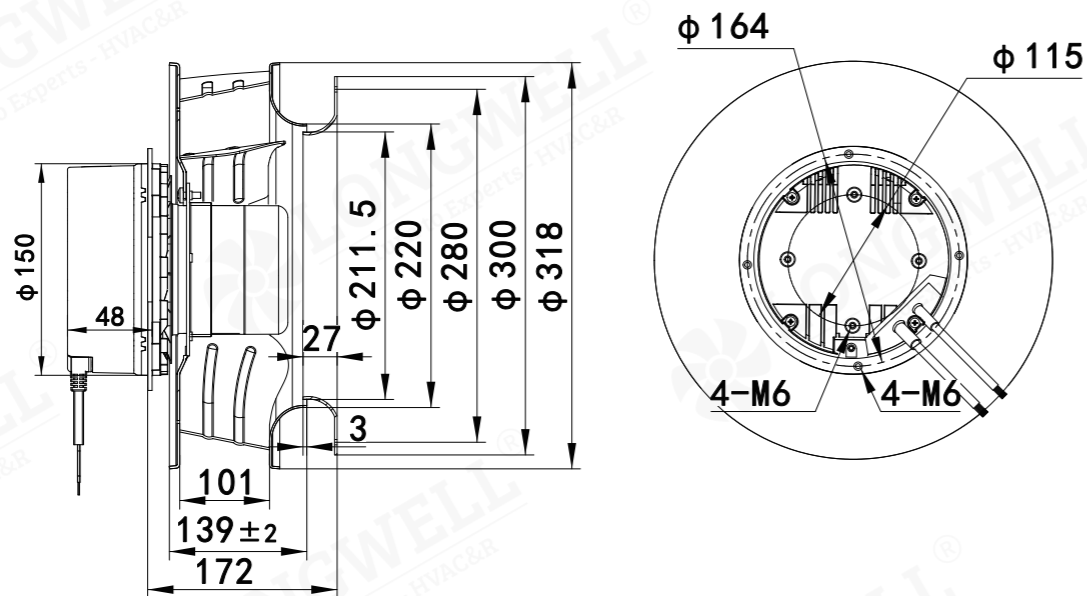
Product Characteristic

- Impeller Material: Aluminum Alloy
- Direction of Rotation: Clockwise, seen on rotor
- Protection Class: IP44
- Mounting Position: Horizontal or Vertical
- Bearing: Maintenance-free ball bearings
- Protection: Tach output, Locked-Rotor protection Reverse Polarity, Over-voltage protection, Soft Start
- Supply Voltage: 230V, 50/60Hz
- Mode of Operation: S1
- Insulation Class: F
- Operation Temperature: -25°C ~ +60°C
- Technical Features: Control input 0-10VDC/PWM

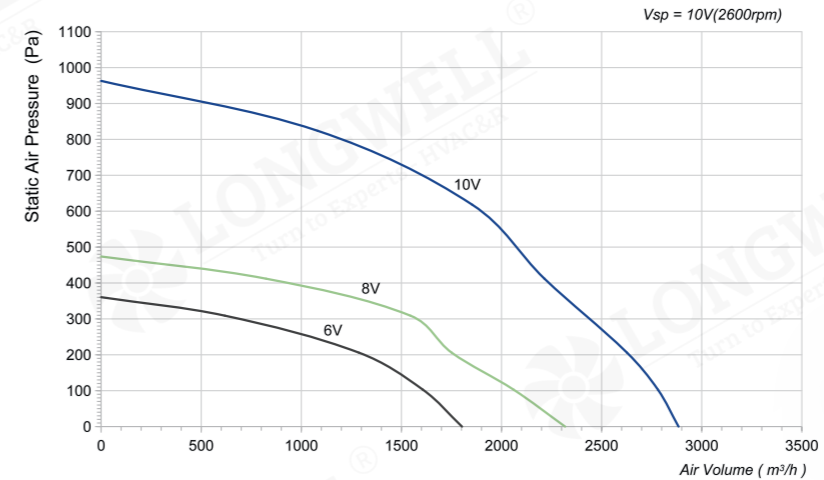


Technical Specifications

Model	Voltage (V)	Input Power (W)	Current (A)	Air Volume (m³/h)	Static Pressure (Pa)	Speed (RPM)	Noise [dB(A)]
LWBE3G310-102NS-19	230	370	2.6	2936	700	2300	76



LWBE-310 Serie



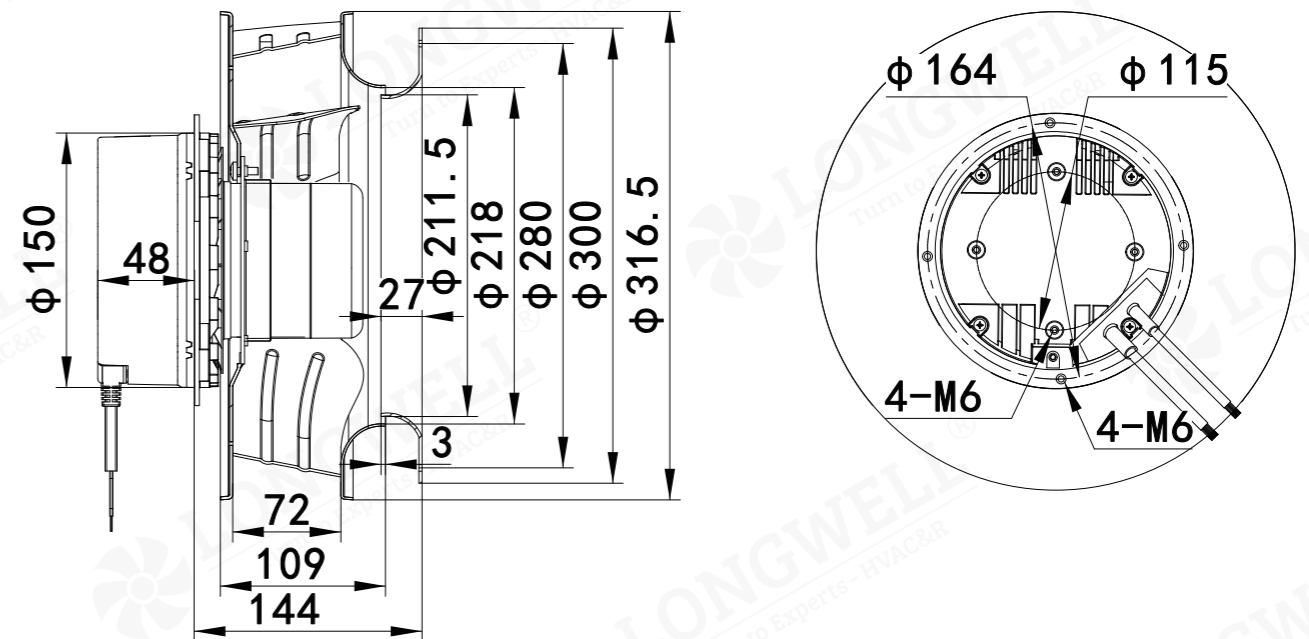
Product Characteristic

- Impeller Material: Aluminum Alloy
- Direction of Rotation: Clockwise, seen on rotor
- Protection Class: IP44
- Mounting Position: Horizontal or Vertical
- Bearing: Maintenance-free ball bearings
- Protection: Tach output, Locked-Rotor protection Reverse Polarity, Over-voltage protection, Soft Start
- Supply Voltage: 230V, 50/60Hz
- Mode of Operation: S1
- Insulation Class: F
- Operation Temperature: -25°C ~ +60°C
- Technical Features: Control input 0-10VDC/PWM

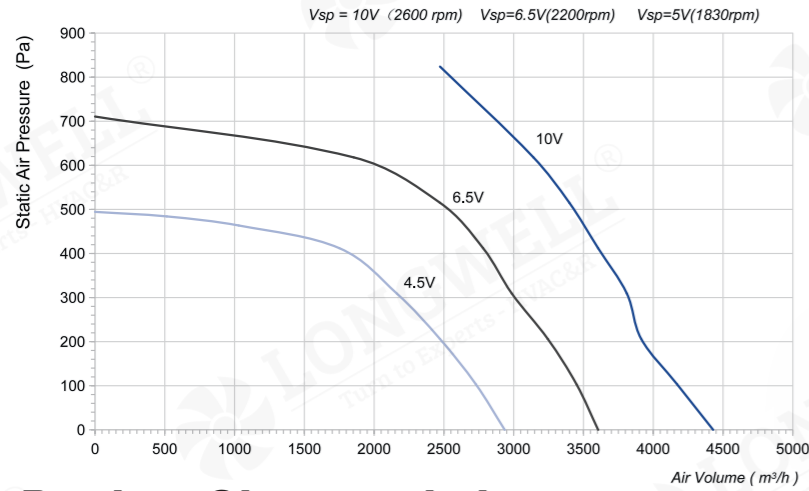


Technical Specifications

Model	Voltage (V)	Input Power (W)	Current (A)	Air Volume (m³/h)	Static Pressure (Pa)	Speed (RPM)	Noise [dB(A)]
LWBE3G310-102NS-18	230	450	3	2884	963	2600	78



LWBE-310 Serie



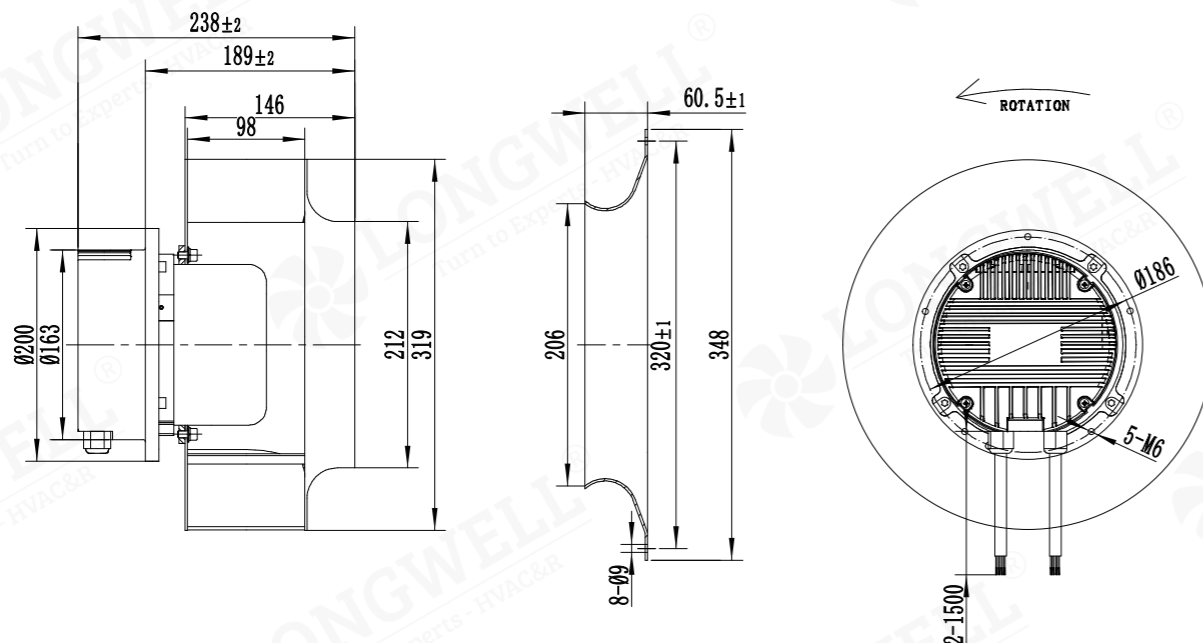
Product Characteristic

- Impeller Material: Aluminum Alloy
- Direction of Rotation: Clockwise, seen on rotor
- Protection Class: IP44
- Mounting Position: Horizontal or Vertical
- Bearing: Maintenance-free ball bearings
- Protection: Tach output, Locked-Rotor protection Reverse Polarity, Over-voltage protection, Soft Start
- Supply Voltage: 400V, 50/60Hz
- Mode of Operation: S1
- Insulation Class: F
- Operation Temperature: -25°C ~ +60°C
- Technical Features: Control input 0-10VDC/PWM

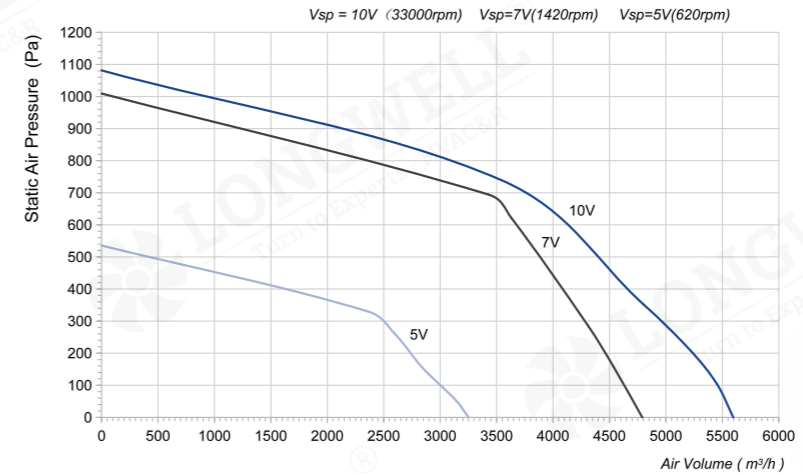


Technical Specifications

Model	Voltage (V)	Input Power (W)	Current (A)	Air Volume (m³/h)	Static Pressure (Pa)	Speed (RPM)	Noise [dB(A)]
LWBE3G310-138NT-05	400	980	1.64	4398	824	2600	74



LWBE-310 Serie



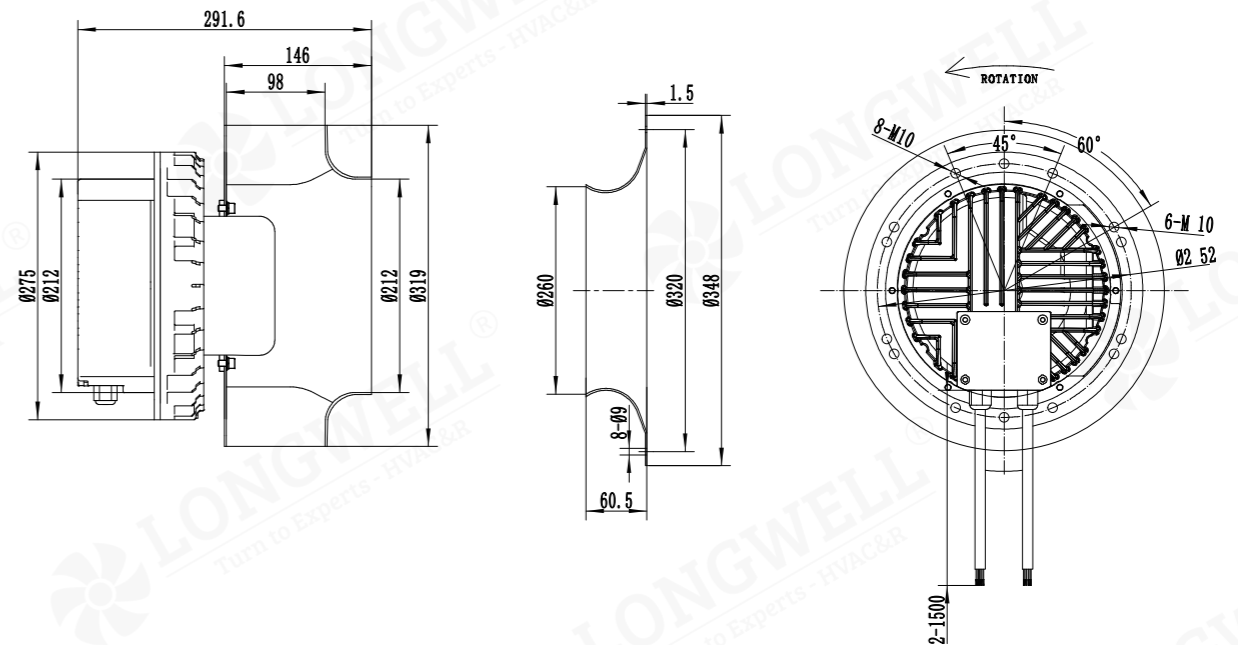
Product Characteristic

- Impeller Material: Aluminum Alloy
- Direction of Rotation: Clockwise, seen on rotor
- Protection Class: IP44
- Mounting Position: Horizontal or Vertical
- Bearing: Maintenance-free ball bearings
- Protection: Tach output, Locked-Rotor protection Reverse Polarity, Over-voltage protection, Soft Start
- Supply Voltage: 400V, 50/60Hz
- Mode of Operation: S1
- Insulation Class: F
- Operation Temperature: -25°C ~ +60°C
- Technical Features: Control input 0-10VDC/PWM

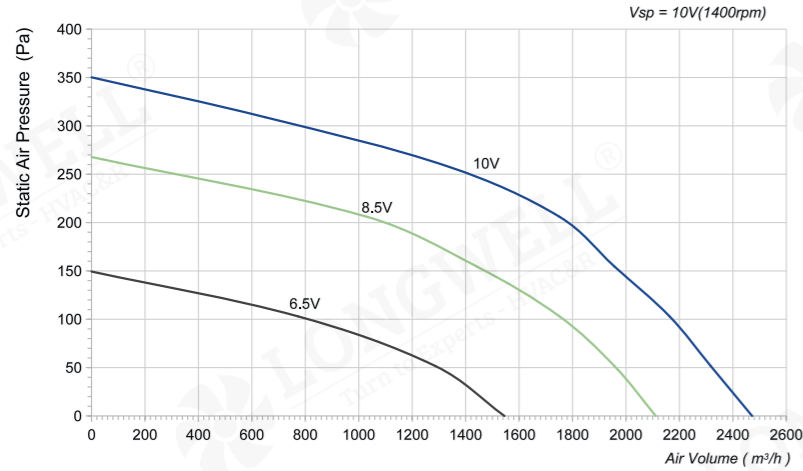


Technical Specifications

Model	Voltage (V)	Input Power (W)	Current (A)	Air Volume (m³/h)	Static Pressure (Pa)	Speed (RPM)	Noise [dB(A)]
LWBE3G310-138NT-25	400	1588	2.4	5593	1082	3300	92



LWBE-355 Serise



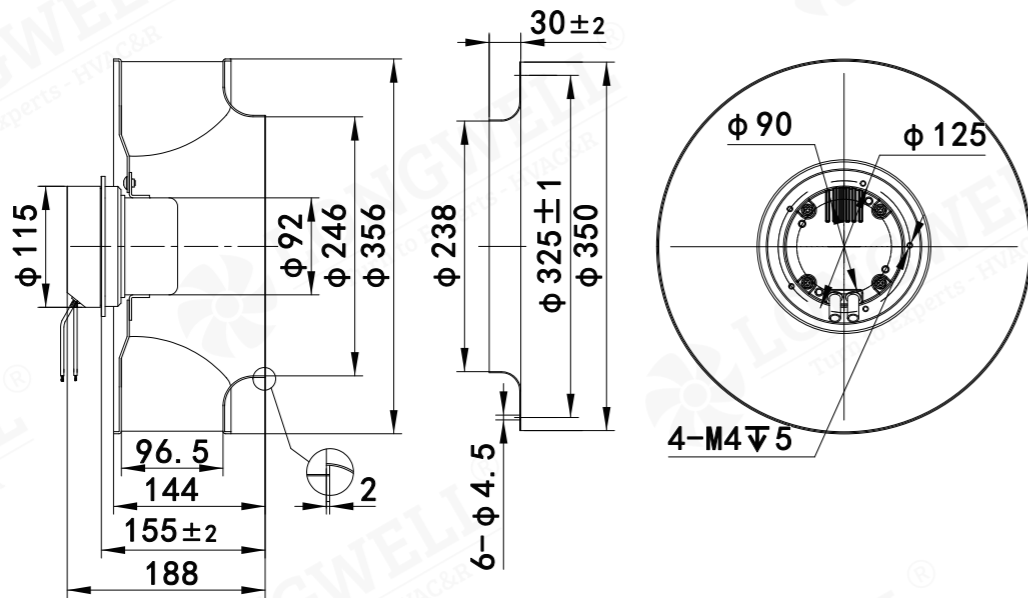
Product Characteristic

- Impeller Material: Aluminum Alloy
- Direction of Rotation: Clockwise, seen on rotor
- Protection Class: IP44
- Mounting Position: Horizontal or Vertical
- Bearing: Maintenance-free ball bearings
- Protection: Tach output, Locked-Rotor protection Reverse Polarity, Over-voltage protection, Soft Start
- Supply Voltage: 230V, 50/60Hz
- Mode of Operation: S1
- Insulation Class: B
- Operation Temperature: -25°C ~ +60°C
- Technical Features: Control input 0-10VDC/PWM

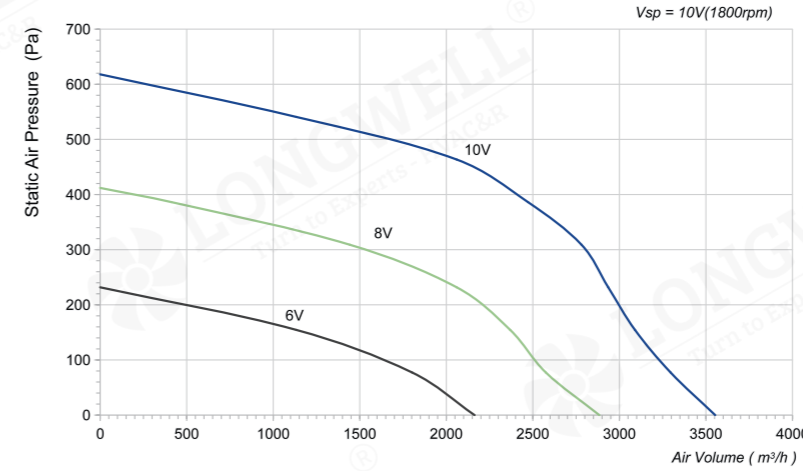


Technical Specifications

Model	Voltage (V)	Input Power (W)	Current (A)	Air Volume (m³/h)	Static Pressure (Pa)	Speed (RPM)	Noise [dB(A)]
LWBE3G355-092NS-19	230	120	0.9	2472	350	1400	68



LWBE-355 Serise



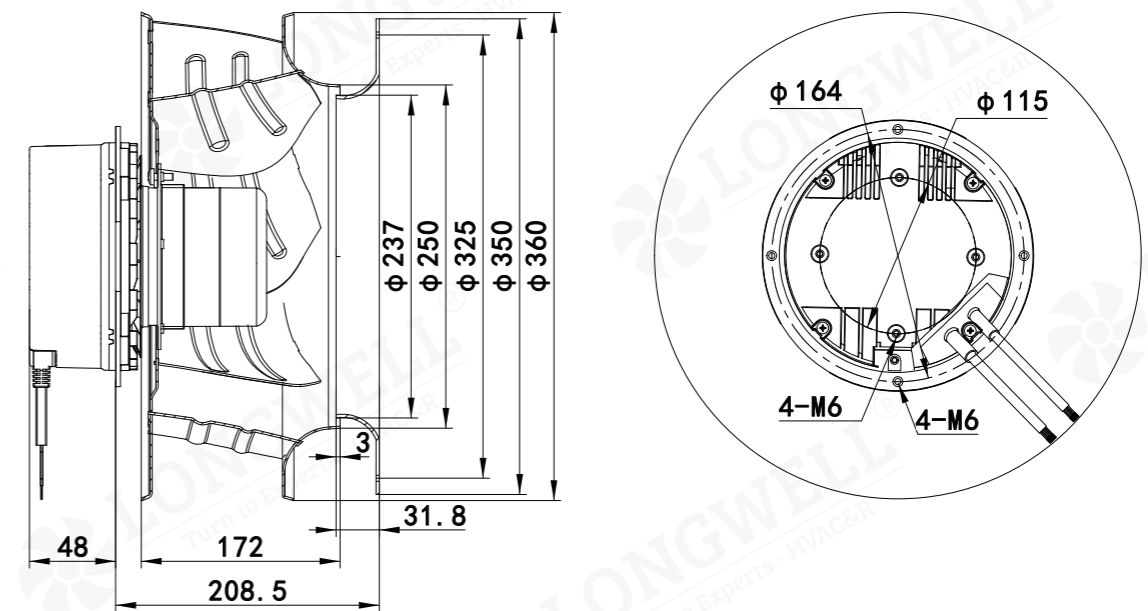
Product Characteristic

- Impeller Material: Aluminum Alloy
- Direction of Rotation: Clockwise, seen on rotor
- Protection Class: IP44
- Mounting Position: Horizontal or Vertical
- Bearing: Maintenance-free ball bearings
- Protection: Tach output, Locked-Rotor protection Reverse Polarity, Over-voltage protection, Soft Start
- Supply Voltage: 230V, 50/60Hz
- Mode of Operation: S1
- Insulation Class: F
- Operation Temperature: -25°C ~ +60°C
- Technical Features: Control input 0-10VDC/PWM

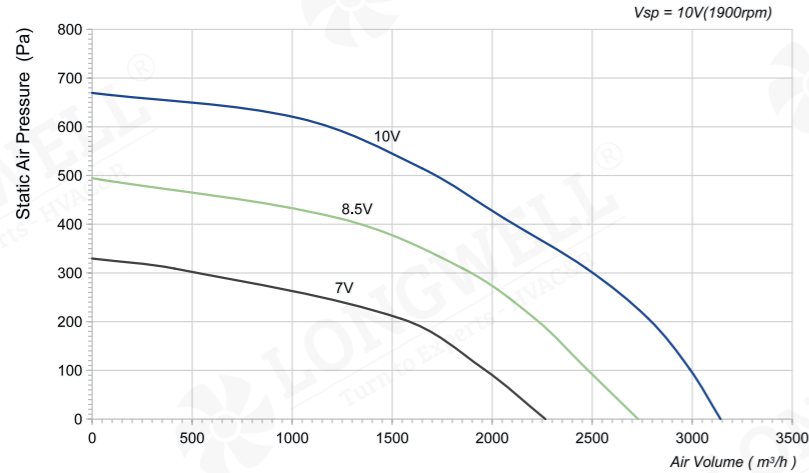


Technical Specifications

Model	Voltage (V)	Input Power (W)	Current (A)	Air Volume (m³/h)	Static Pressure (Pa)	Speed (RPM)	Noise [dB(A)]
LWBE3G355-102NS-20	230	285	2	3554	618	1800	76



LWBE-355 Serie



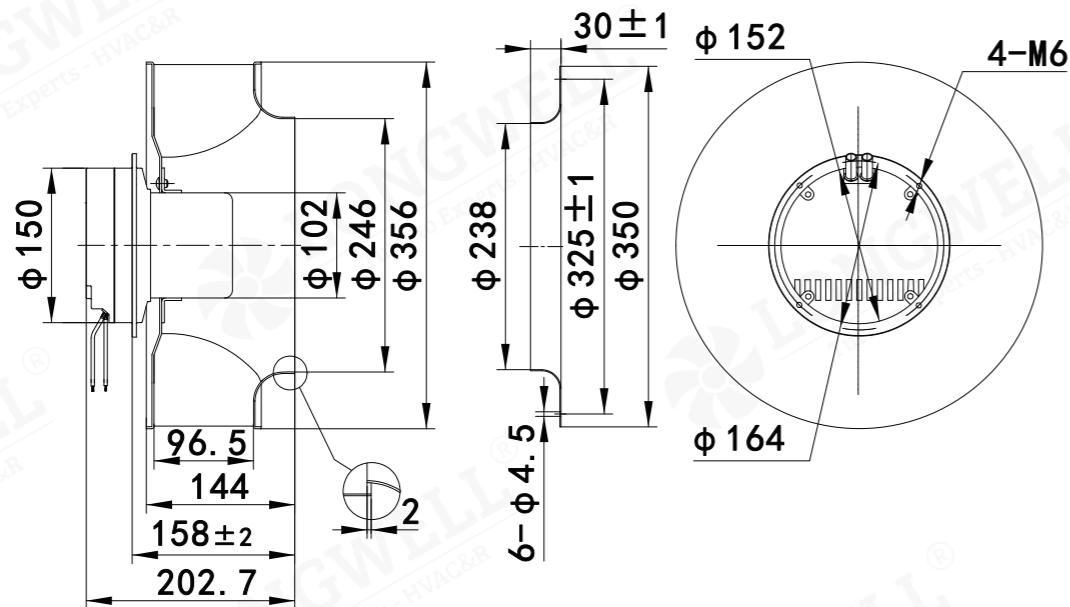
Product Characteristic

- Impeller Material: Aluminum Alloy
- Direction of Rotation: Clockwise, seen on rotor
- Protection Class: IP54
- Mounting Position: Horizontal or Vertical
- Bearing: Maintenance-free ball bearings
- Protection: Tach output, Locked-Rotor protection Reverse Polarity, Over-voltage protection, Soft Start
- Supply Voltage: 230V, 50/60Hz
- Mode of Operation: S1
- Insulation Class: B
- Operation Temperature: -25°C ~ +60°C
- Technical Features: Control input 0-10VDC/PWM

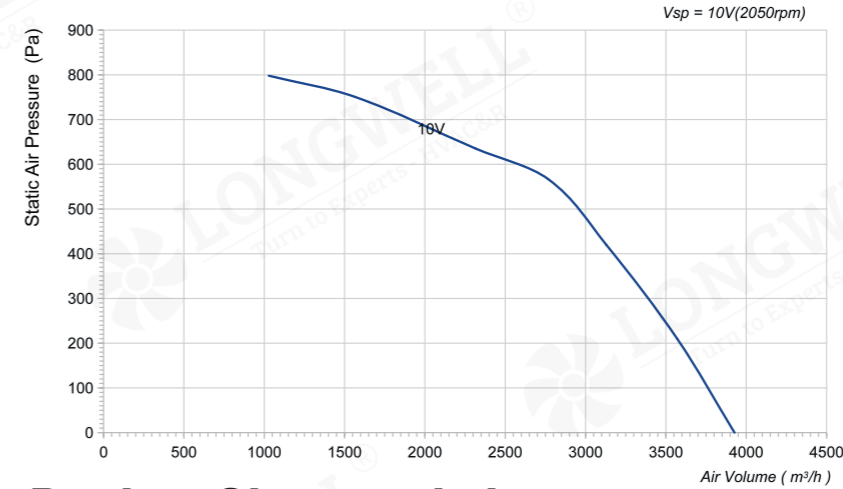


Technical Specifications

Model	Voltage (V)	Input Power (W)	Current (A)	Air Volume (m³/h)	Static Pressure (Pa)	Speed (RPM)	Noise [dB(A)]
LWBE3G355-102NS-21	230	330	1.5	3142	670	1900	77



LWBE-355 Serie



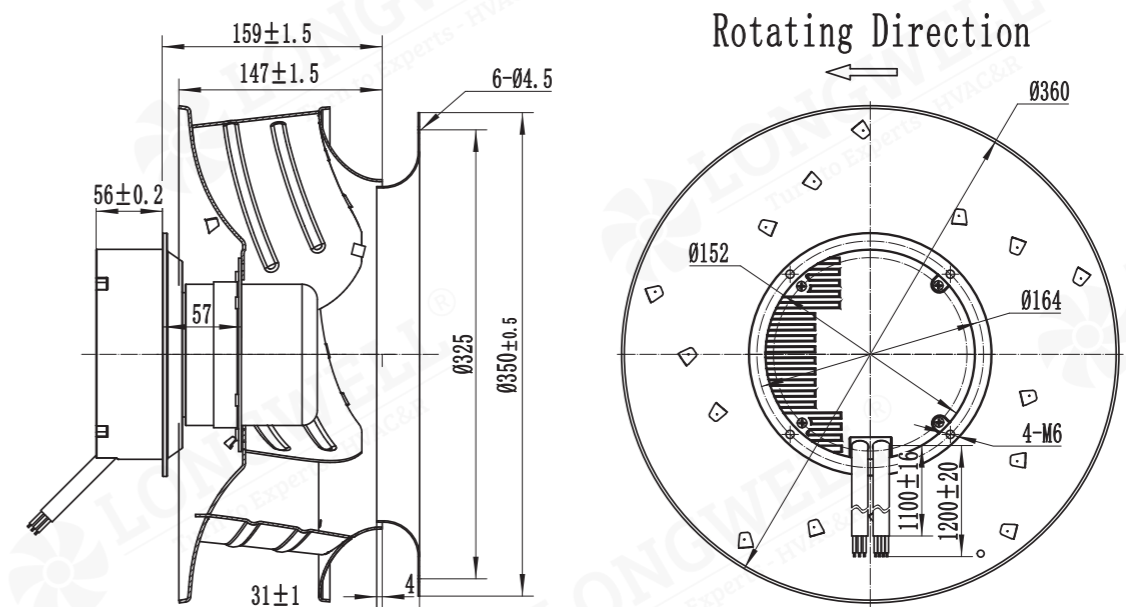
Product Characteristic

- Impeller Material: Aluminum Alloy
- Direction of Rotation: Clockwise, seen on rotor
- Protection Class: IP54
- Mounting Position: Horizontal or Vertical
- Bearing: Maintenance-free ball bearings
- Protection: Tach output, Locked-Rotor protection Reverse Polarity, Over-voltage protection, Soft Start
- Supply Voltage: 230V, 50/60Hz
- Mode of Operation: S1
- Insulation Class: F
- Operation Temperature: -25°C ~ +60°C
- Technical Features: Control input 0-10VDC/PWM

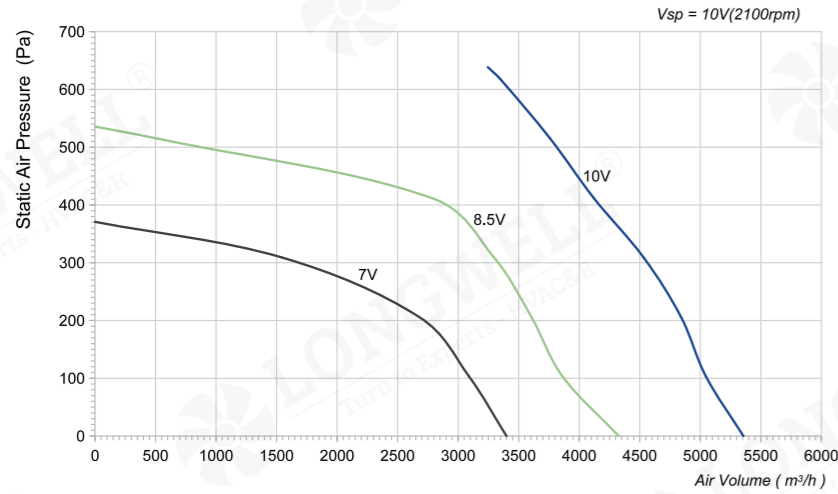


Technical Specifications

Model	Voltage (V)	Input Power (W)	Current (A)	Air Volume (m³/h)	Static Pressure (Pa)	Speed (RPM)	Noise [dB(A)]
LWBE3G355-102NS-15	230	498	5.3	3915	770	2050	/



LWBE-355 Serise



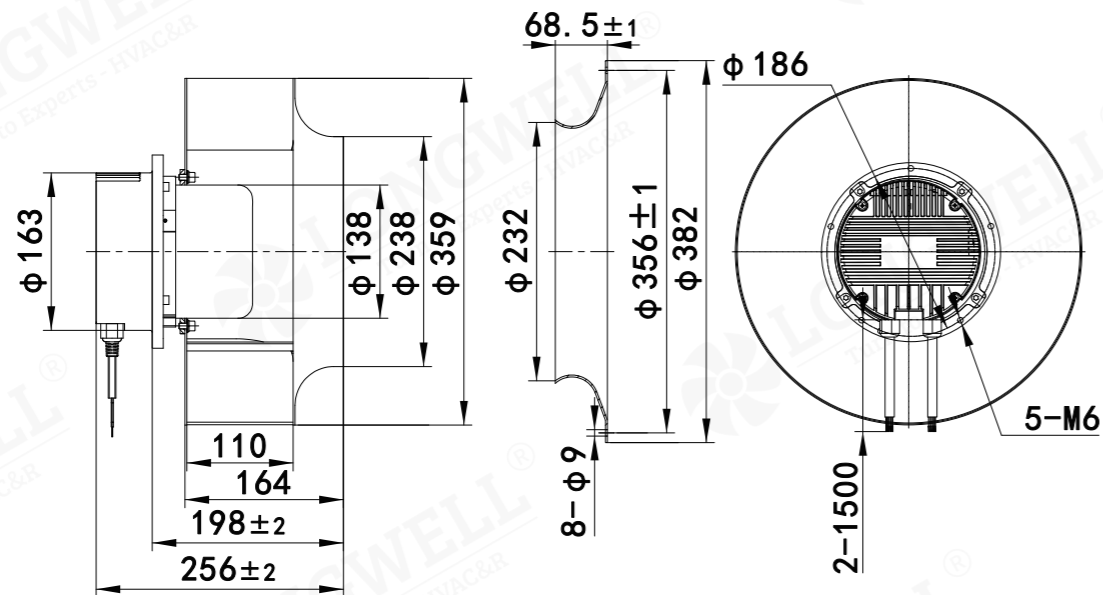
Product Characteristic

- Impeller Material: Aluminum Alloy
- Direction of Rotation: Clockwise, seen on rotor
- Protection Class: IP44
- Mounting Position: Horizontal or Vertical
- Bearing: Maintenance-free ball bearings
- Protection: Tach output, Locked-Rotor protection Reverse Polarity, Over-voltage protection, Soft Start
- Supply Voltage: 400V, 50/60Hz
- Mode of Operation: S1
- Insulation Class: F
- Operation Temperature: -25°C ~ +60°C
- Technical Features: Control input 0-10VDC/PWM

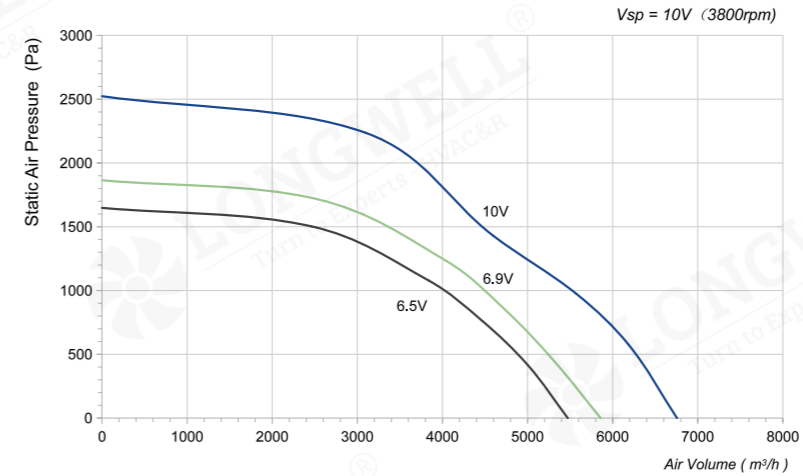


Technical Specifications

Model	Voltage (V)	Input Power (W)	Current (A)	Air Volume (m³/h)	Static Pressure (Pa)	Speed (RPM)	Noise [dB(A)]
LWBE3G355-138NT-17	400	990	1.63	5356	639	2100	79



LWBE-355 Serise



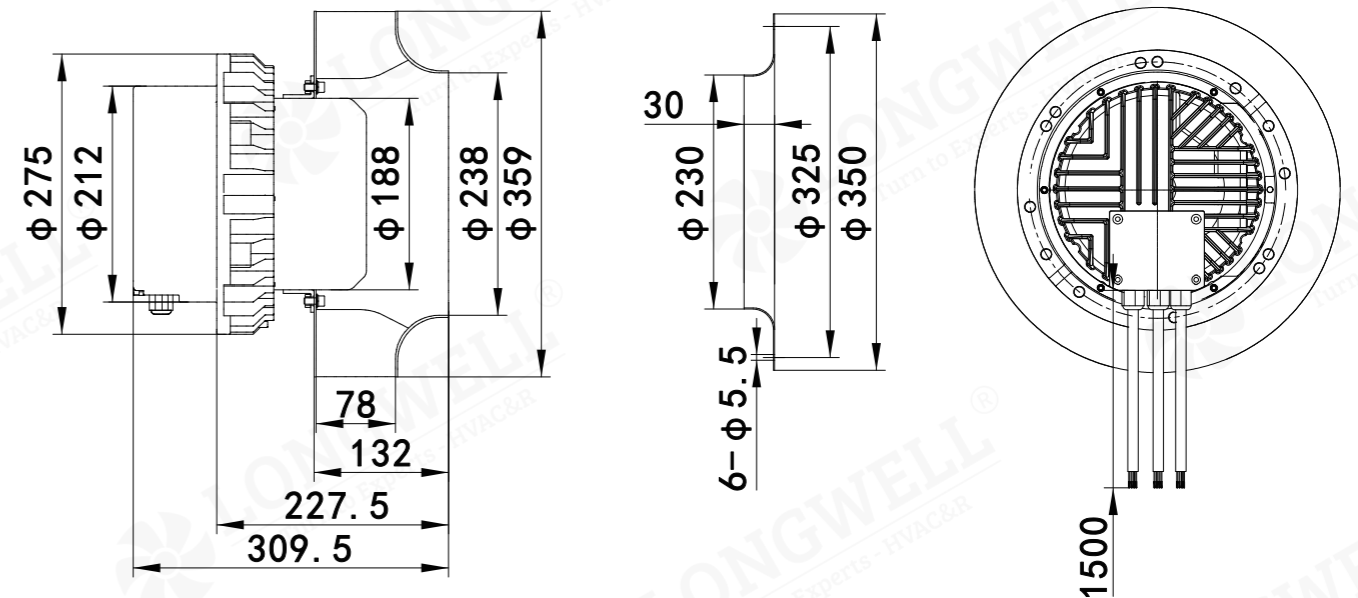
Product Characteristic

- Impeller Material: Aluminum Alloy
- Direction of Rotation: Clockwise, seen on rotor
- Protection Class: IP44
- Mounting Position: Horizontal or Vertical
- Bearing: Maintenance-free ball bearings
- Protection: Tach output, Locked-Rotor protection Reverse Polarity, Over-voltage protection, Soft Start
- Supply Voltage: 380V, 50/60Hz
- Mode of Operation: S1
- Insulation Class: F
- Operation Temperature: -30°C ~ +60°C
- Technical Features: Control input 0-10VDC/PWM

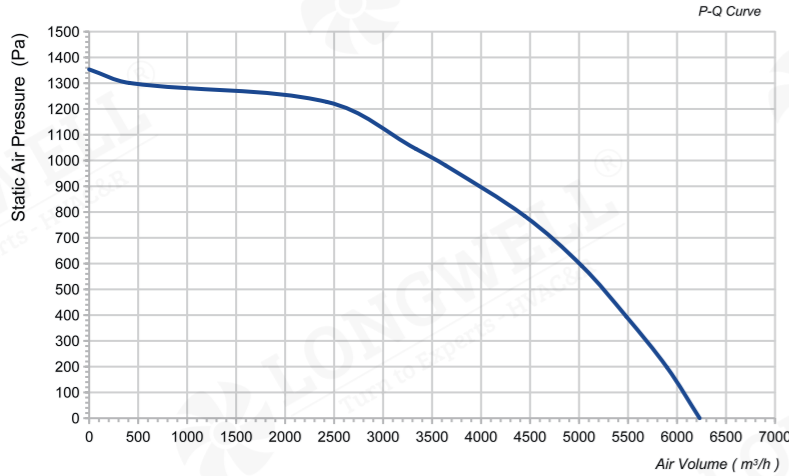


Technical Specifications

Model	Voltage (V)	Input Power (W)	Current (A)	Air Volume (m³/h)	Static Pressure (Pa)	Speed (RPM)	Noise [dB(A)]
LWBE3G355-188NT-29	380	3100	5.2	6756	2524	3800	96



LWBE-355 Serise



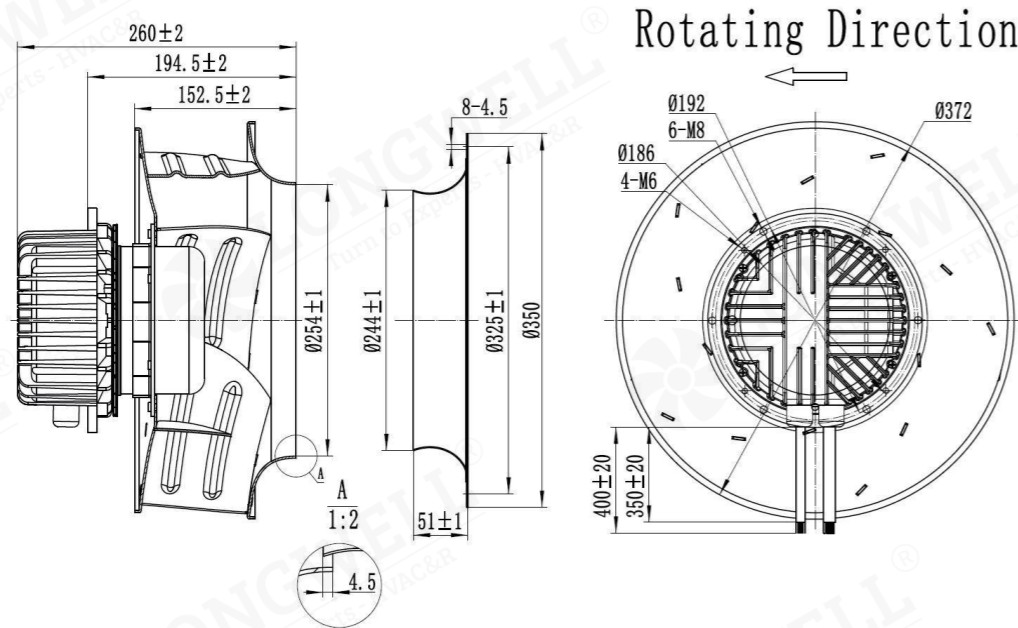
Product Characteristic

- Impeller Material: Aluminum Alloy
- Direction of Rotation: Clockwise, seen on rotor
- Protection Class: IP54
- Mounting Position: Horizontal or Vertical
- Bearing: Maintenance-free ball bearings
- Protection: Tach output, Locked-Rotor protection Reverse Polarity, Over-voltage protection, Soft Start
- Supply Voltage: 400V, 50/60Hz
- Mode of Operation: S1
- Insulation Class: F
- Operation Temperature: -25°C ~ +60°C
- Technical Features: Control input 0-10VDC/PWM

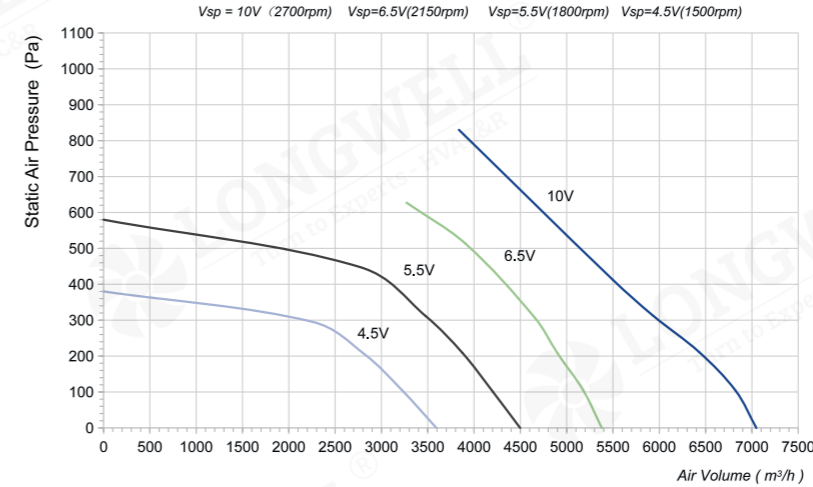


Technical Specifications

Model	Voltage (V)	Input Power (W)	Current (A)	Air Volume (m³/h)	Static Pressure (Pa)	Speed (RPM)	Noise [dB(A)]
LWBE3G355-138NT-27	400	1500	3.6	6249	1353	2710	77



LWBE-355 Serise



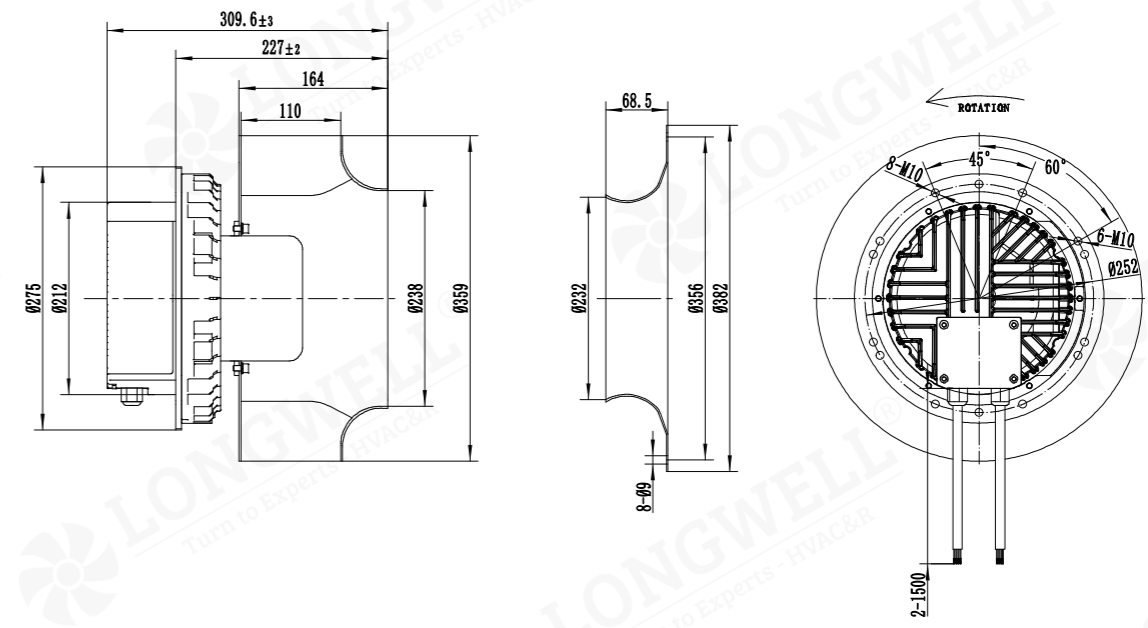
Product Characteristic

- Impeller Material: Aluminum Alloy
- Direction of Rotation: Clockwise, seen on rotor
- Protection Class: IP54
- Mounting Position: Horizontal or Vertical
- Bearing: Maintenance-free ball bearings
- Protection: Tach output, Locked-Rotor protection Reverse Polarity, Over-voltage protection, Soft Start
- Supply Voltage: 400V, 50/60Hz
- Mode of Operation: S1
- Insulation Class: F
- Operation Temperature: -25°C ~ +60°C
- Technical Features: Control input 0-10VDC/PWM



Technical Specifications

Model	Voltage (V)	Input Power (W)	Current (A)	Air Volume (m³/h)	Static Pressure (Pa)	Speed (RPM)	Noise [dB(A)]
LWBE3G355-138NT-12	400	1700	2.8	7045	830	2700	81



LWBE-355 Serise



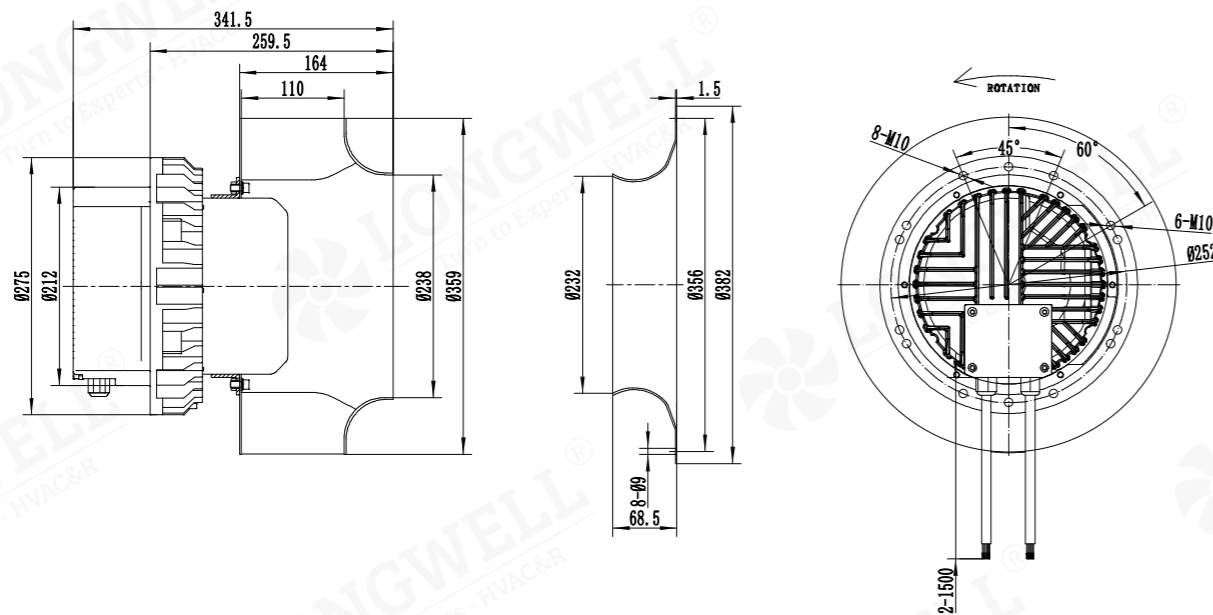
Product Characteristic

- Impeller Material: Aluminum Alloy
- Direction of Rotation: Clockwise, seen on rotor
- Protection Class: IP54
- Mounting Position: Horizontal or Vertical
- Bearing: Maintenance-free ball bearings
- Protection: Tach output, Locked-Rotor protection Reverse Polarity, Over-voltage protection, Soft Start
- Supply Voltage: 400V, 50/60Hz
- Mode of Operation: S1
- Insulation Class: F
- Operation Temperature: -25°C ~ +60°C
- Technical Features: Control input 0-10VDC/PWM

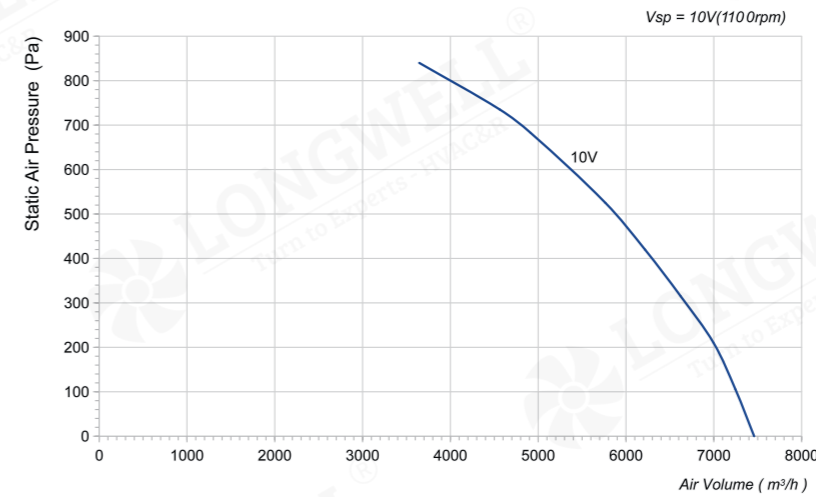


Technical Specifications

Model	Voltage (V)	Input Power (W)	Current (A)	Air Volume (m³/h)	Static Pressure (Pa)	Speed (RPM)	Noise [dB(A)]
LWBE3G355-188NT-26	400	3090	4.2	8034	1545	3200	96



LWBE-400 Serise



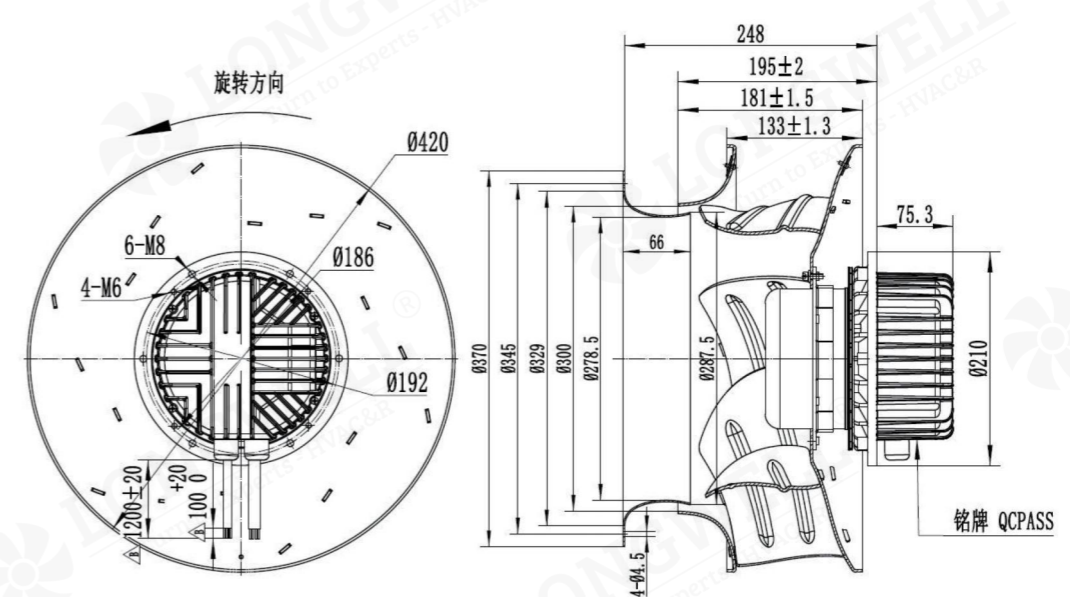
Product Characteristic

- Impeller Material: Aluminum Alloy
- Direction of Rotation: Clockwise, seen on rotor
- Protection Class: IP54
- Mounting Position: Horizontal or Vertical
- Bearing: Maintenance-free ball bearings
- Protection: Tach output, Locked-Rotor protection Reverse Polarity, Over-voltage protection, Soft Start
- Supply Voltage: 400V, 50/60Hz
- Mode of Operation: S1
- Insulation Class: F
- Operation Temperature: -25°C ~ +60°C
- Technical Features: Control input 0-10VDC/PWM

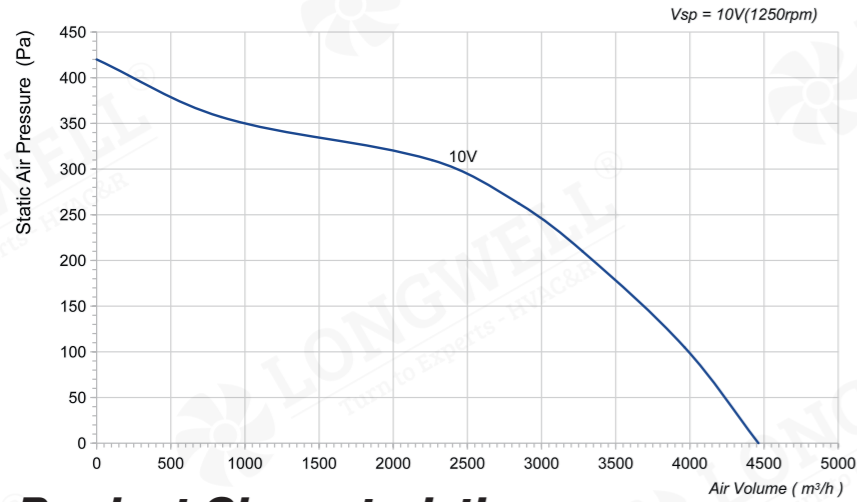


Technical Specifications

Model	Voltage (V)	Input Power (W)	Current (A)	Air Volume (m³/h)	Static Pressure (Pa)	Speed (RPM)	Noise [dB(A)]
LWBE3G400-138NT-12	400	1480	2.4	7459	840	1100	/



LWBE-400 Serie



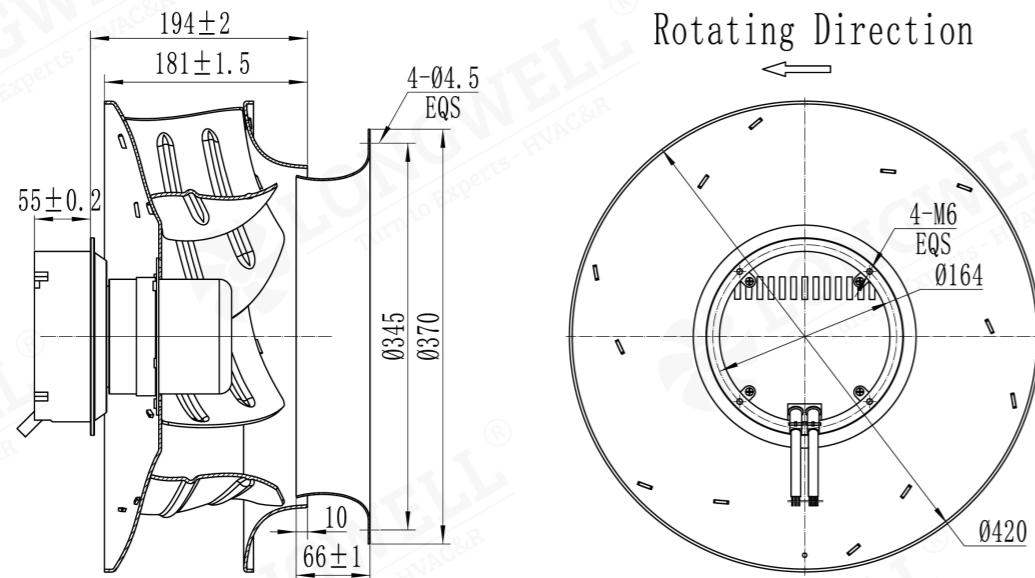
Product Characteristic

- Impeller Material: Aluminum Alloy
- Direction of Rotation: Clockwise, seen on rotor
- Protection Class: IP54
- Mounting Position: Horizontal or Vertical
- Bearing: Maintenance-free ball bearings
- Protection: Tach output, Locked-Rotor protection Reverse Polarity, Over-voltage protection, Soft Start
- Supply Voltage: 230V, 50/60Hz
- Mode of Operation: S1
- Insulation Class: F
- Operation Temperature: -25°C ~ +60°C
- Technical Features: Control input 0-10VDC/PWM

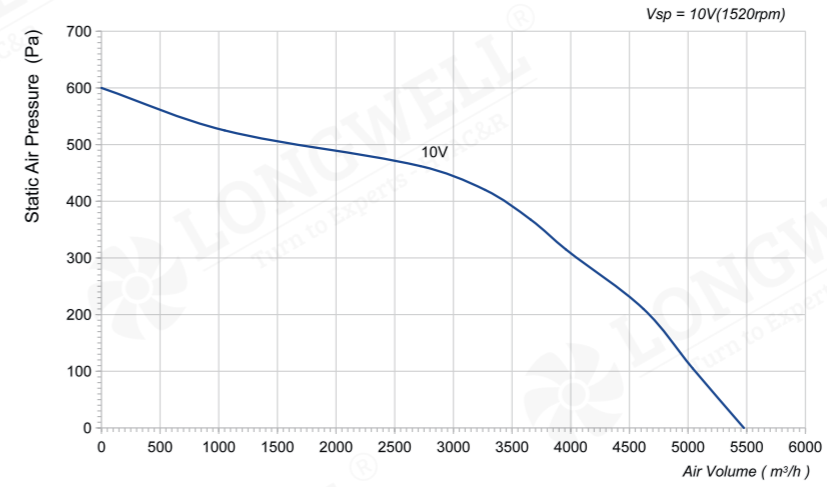


Technical Specifications

Model	Voltage (V)	Input Power (W)	Current (A)	Air Volume (m³/h)	Static Pressure (Pa)	Speed (RPM)	Noise [dB(A)]
LWBE3G400-102NS-14	230	297	/	4463	420	1250	/



LWBE-400 Serie



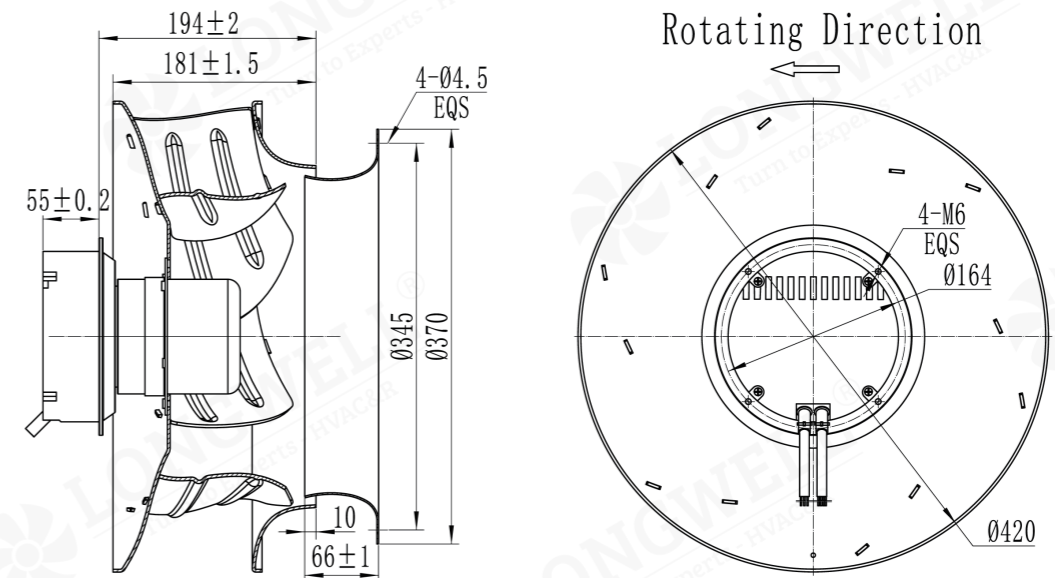
Product Characteristic

- Impeller Material: Aluminum Alloy
- Direction of Rotation: Clockwise, seen on rotor
- Protection Class: IP54
- Mounting Position: Horizontal or Vertical
- Bearing: Maintenance-free ball bearings
- Protection: Tach output, Locked-Rotor protection Reverse Polarity, Over-voltage protection, Soft Start
- Supply Voltage: 230V, 50/60Hz
- Mode of Operation: S1
- Insulation Class: F
- Operation Temperature: -25°C ~ +60°C
- Technical Features: Control input 0-10VDC/PWM

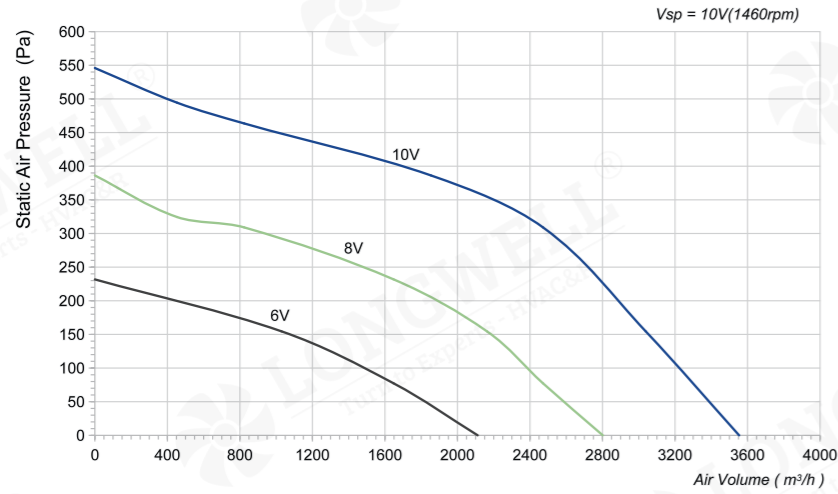


Technical Specifications

Model	Voltage (V)	Input Power (W)	Current (A)	Air Volume (m³/h)	Static Pressure (Pa)	Speed (RPM)	Noise [dB(A)]
LWBE3G400-102NS-15	230	500	3.6	5476	600	1520	/



LWBE-400 Serie



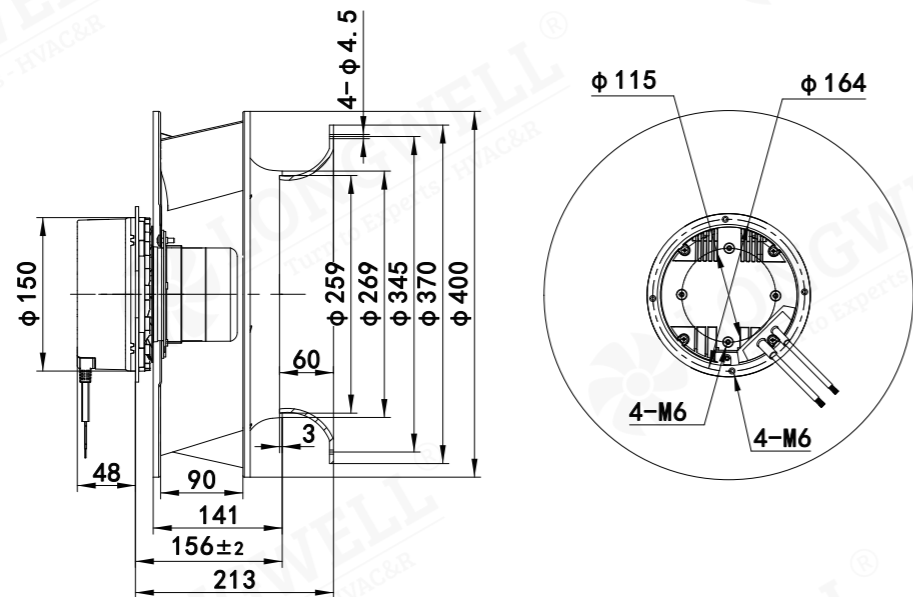
Product Characteristic

- Impeller Material: Aluminum Alloy
- Direction of Rotation: Clockwise, seen on rotor
- Protection Class: IP44
- Mounting Position: Horizontal or Vertical
- Bearing: Maintenance-free ball bearings
- Protection: Tach output, Locked-Rotor protection Reverse Polarity, Over-voltage protection, Soft Start
- Supply Voltage: 230V, 50/60Hz
- Mode of Operation: S1
- Insulation Class: F
- Operation Temperature: -25°C ~ +60°C
- Technical Features: Control input 0-10VDC/PWM

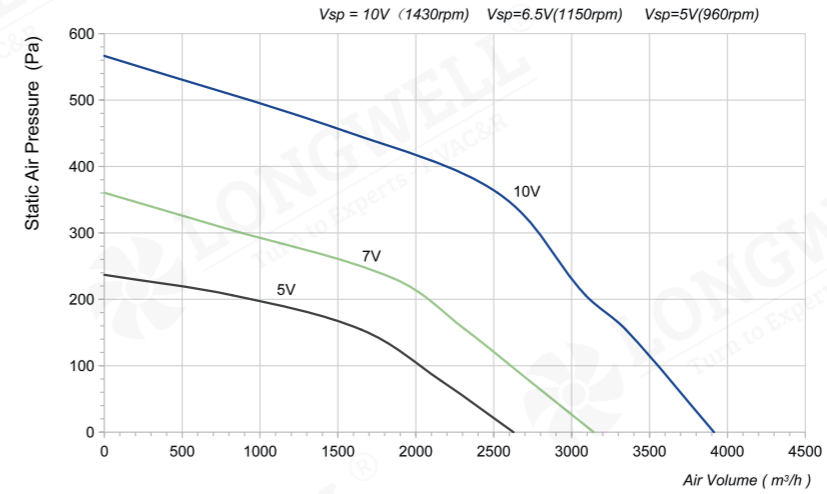


Technical Specifications

Model	Voltage (V)	Input Power (W)	Current (A)	Air Volume (m³/h)	Static Pressure (Pa)	Speed (RPM)	Noise [dB(A)]
LWBE3G400-102NS-16	230	300	2.1	3554	546	1460	76



LWBE-400 Serie



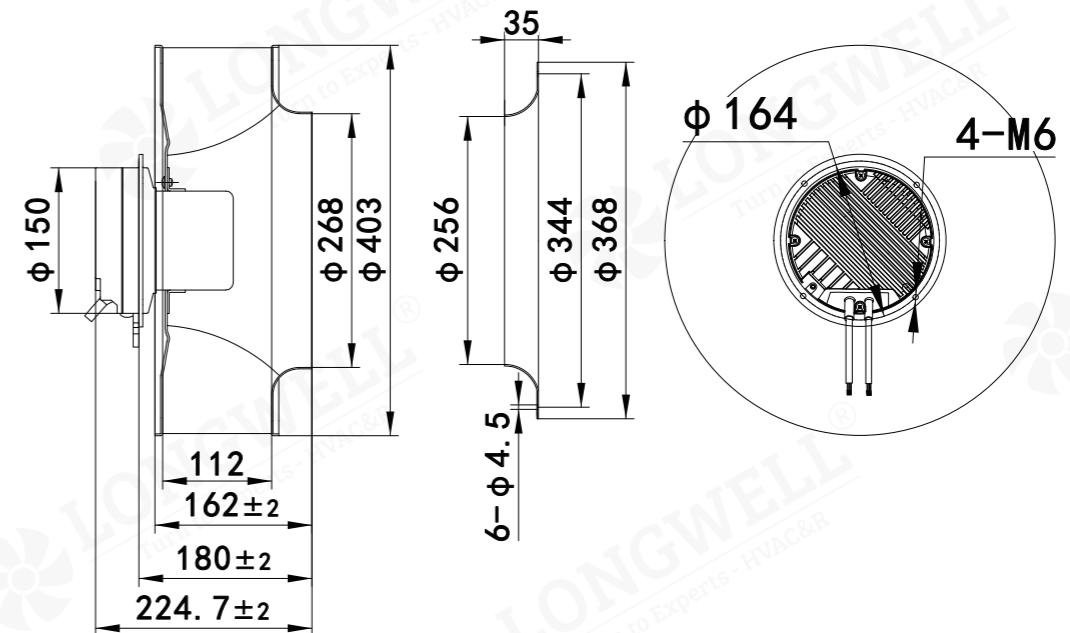
Product Characteristic

- Impeller Material: Aluminum Alloy
- Direction of Rotation: Clockwise, seen on rotor
- Protection Class: IP54
- Mounting Position: Horizontal or Vertical
- Bearing: Maintenance-free ball bearings
- Protection: Tach output, Locked-Rotor protection Reverse Polarity, Over-voltage protection, Soft Start
- Supply Voltage: 230V, 50/60Hz
- Mode of Operation: S1
- Insulation Class: B
- Operation Temperature: -25°C ~ +60°C
- Technical Features: Control input 0-10VDC/PWM

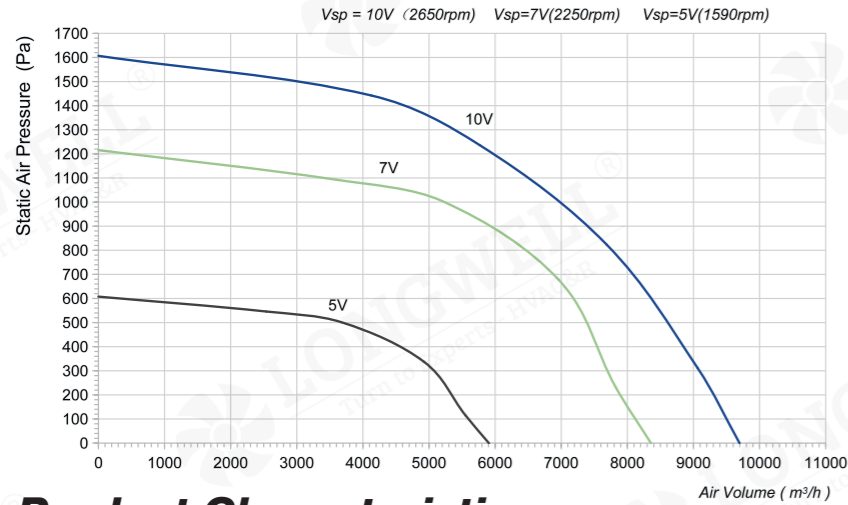


Technical Specifications

Model	Voltage (V)	Input Power (W)	Current (A)	Air Volume (m³/h)	Static Pressure (Pa)	Speed (RPM)	Noise [dB(A)]
LWBE3G400-102NS-02	230	330	1.5	3914	556	1430	70



LWBE-400 Serie



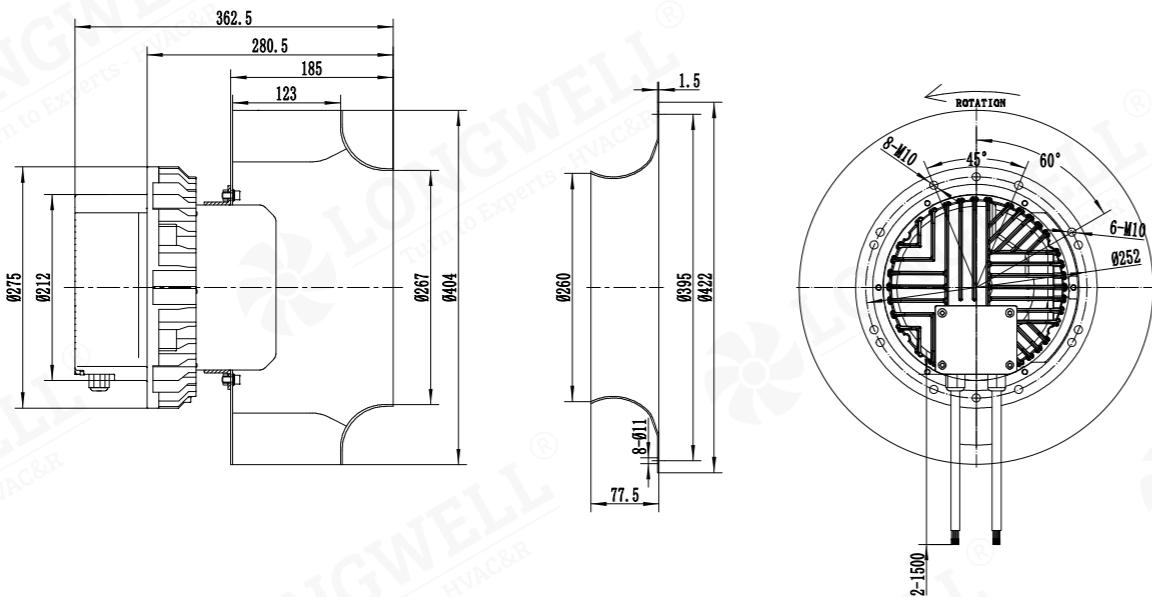
Product Characteristic

- Impeller Material: Aluminum Alloy
- Direction of Rotation: Clockwise, seen on rotor
- Protection Class: IP54
- Mounting Position: Horizontal or Vertical
- Bearing: Maintenance-free ball bearings
- Protection: Tach output, Locked-Rotor protection Reverse Polarity, Over-voltage protection, Soft Start
- Supply Voltage: 400V, 50/60Hz
- Mode of Operation: S1
- Insulation Class: F
- Operation Temperature: -25°C ~ +60°C
- Technical Features: Control input 0-10VDC/PWM

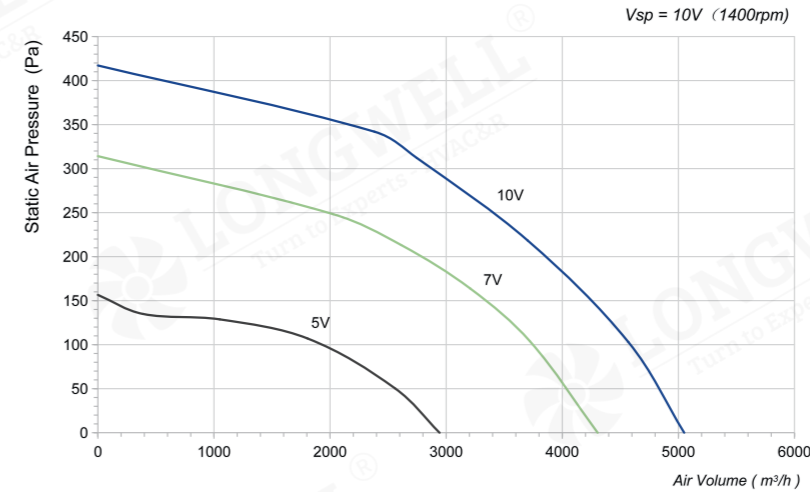


Technical Specifications

Model	Voltage (V)	Input Power (W)	Current (A)	Air Volume (m³/h)	Static Pressure (Pa)	Speed (RPM)	Noise [dB(A)]
LWBE3G400-188NT-17	400	2060	4.2	9682	1627	2650	84



LWBE-450 Serie



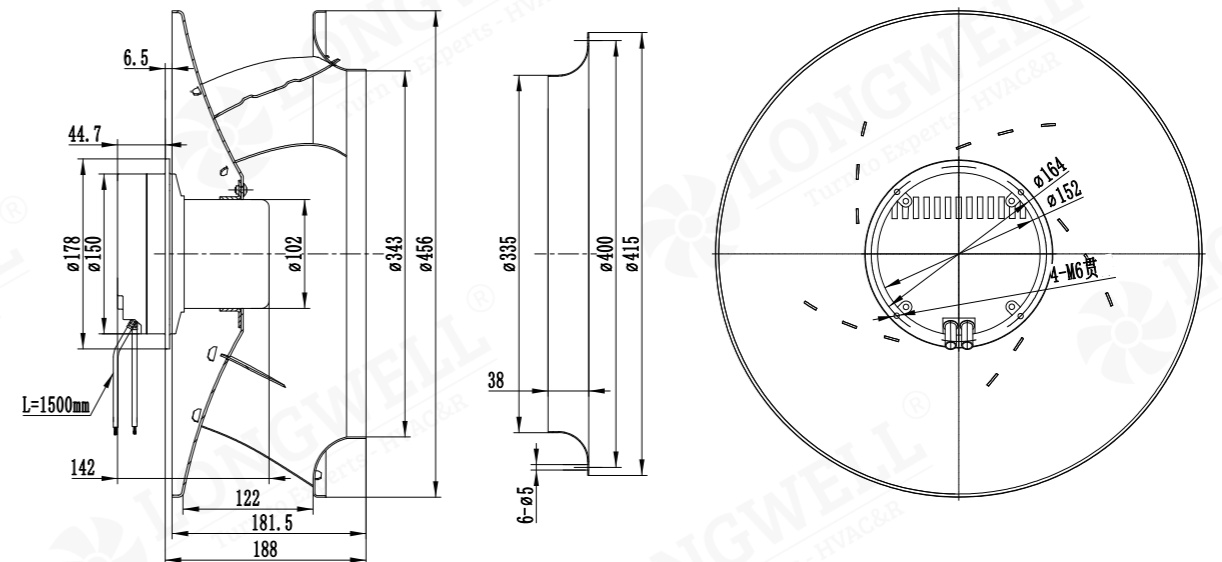
Product Characteristic

- Impeller Material: Aluminum Alloy
- Direction of Rotation: Clockwise, seen on rotor
- Protection Class: IP44
- Mounting Position: Horizontal or Vertical
- Bearing: Maintenance-free ball bearings
- Protection: Tach output, Locked-Rotor protection Reverse Polarity, Over-voltage protection, Soft Start
- Supply Voltage: 230V, 50/60Hz
- Mode of Operation: S1
- Insulation Class: B
- Operation Temperature: -25°C ~ +60°C
- Technical Features: Control input 0-10VDC/PWM

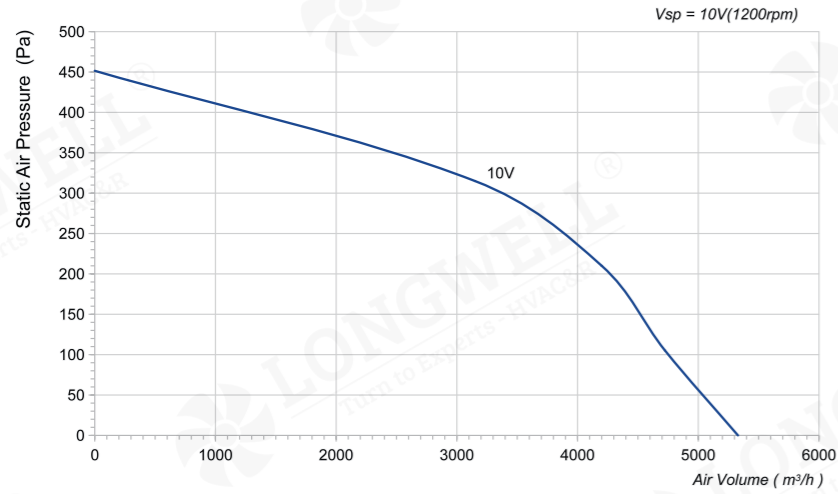


Technical Specifications

Model	Voltage (V)	Input Power (W)	Current (A)	Air Volume (m³/h)	Static Pressure (Pa)	Speed (RPM)	Noise [dB(A)]
LWBE3G450-102NS-21	220	320	1.45	5050	417	1400	68



LWBE-450 Serie



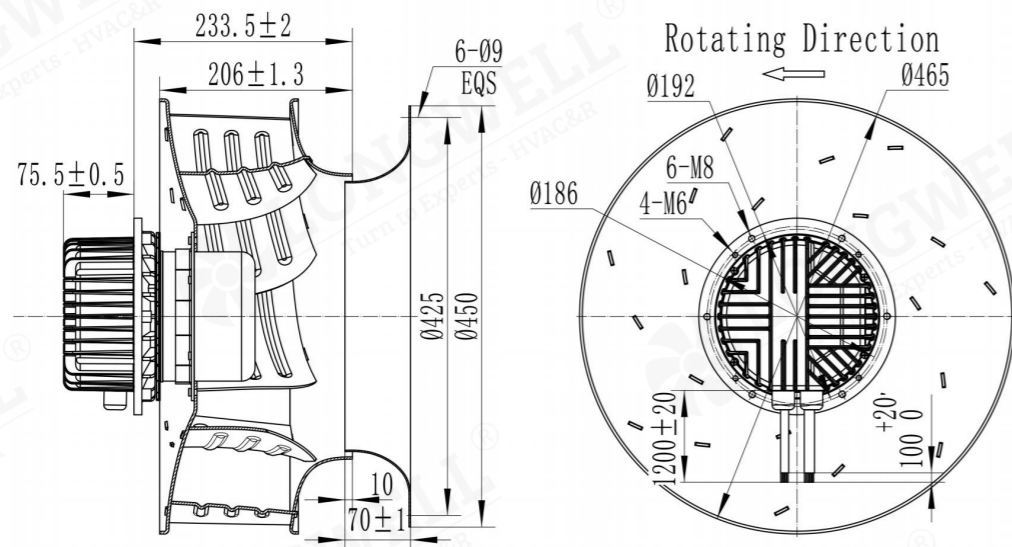
Product Characteristic

- Impeller Material: Aluminum Alloy
- Direction of Rotation: Clockwise, seen on rotor
- Protection Class: IP54
- Mounting Position: Horizontal or Vertical
- Bearing: Maintenance-free ball bearings
- Protection: Tach output, Locked-Rotor protection Reverse Polarity, Over-voltage protection, Soft Start
- Supply Voltage: 400V, 50/60Hz
- Mode of Operation: S1
- Insulation Class: F
- Operation Temperature: -25°C ~ +60°C
- Technical Features: Control input 0-10VDC/PWM

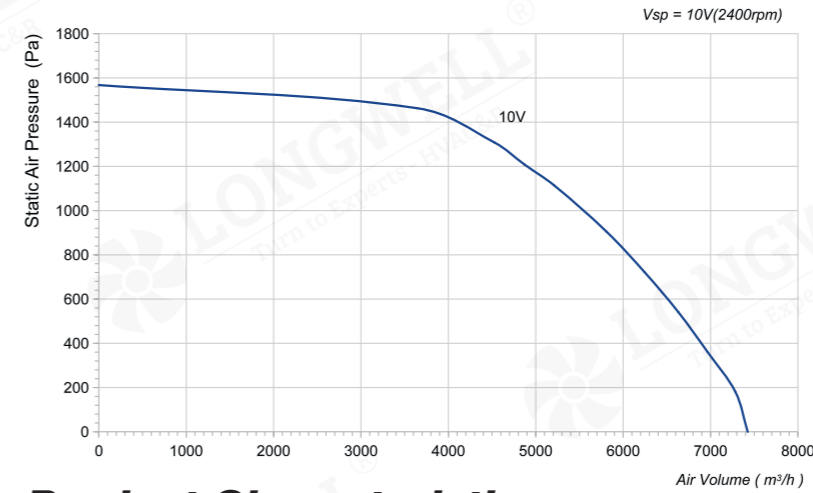


Technical Specifications

Model	Voltage (V)	Input Power (W)	Current (A)	Air Volume (m³/h)	Static Pressure (Pa)	Speed (RPM)	Noise [dB(A)]
LWBE3G450-138NT-11	400	386	/	5329	452	1200	/



LWBE-450 Serie



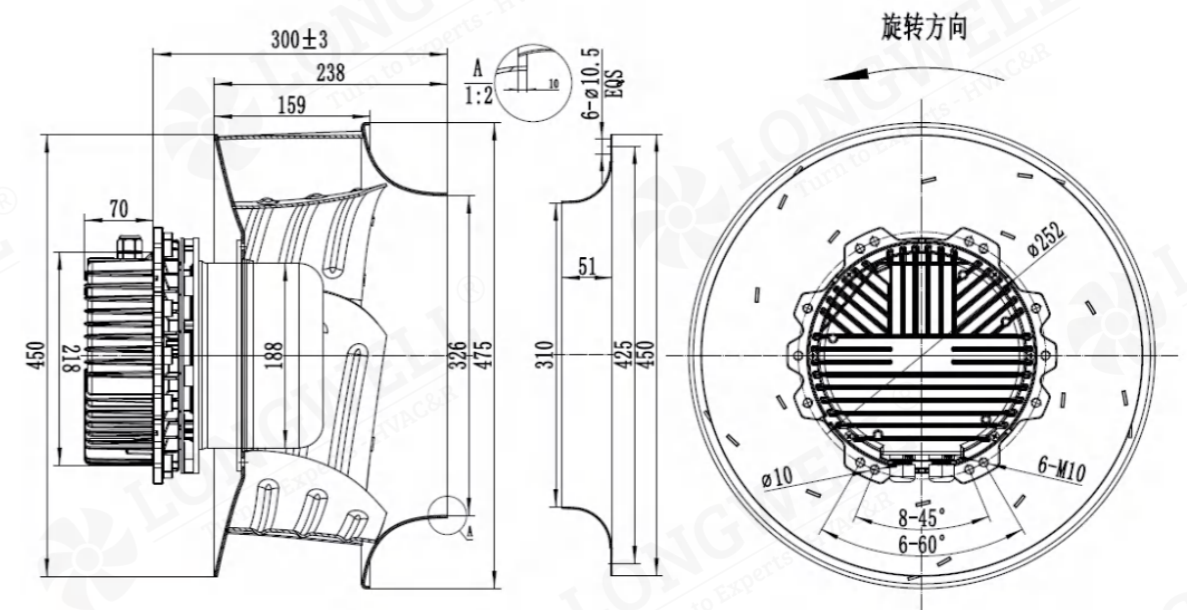
Product Characteristic

- Impeller Material: Aluminum Alloy
- Direction of Rotation: Clockwise, seen on rotor
- Protection Class: IP54
- Mounting Position: Horizontal or Vertical
- Bearing: Maintenance-free ball bearings
- Protection: Tach output, Locked-Rotor protection Reverse Polarity, Over-voltage protection, Soft Start
- Supply Voltage: 400V, 50/60Hz
- Mode of Operation: S1
- Insulation Class: F
- Operation Temperature: -25°C ~ +60°C
- Technical Features: Control input 0-10VDC/PWM

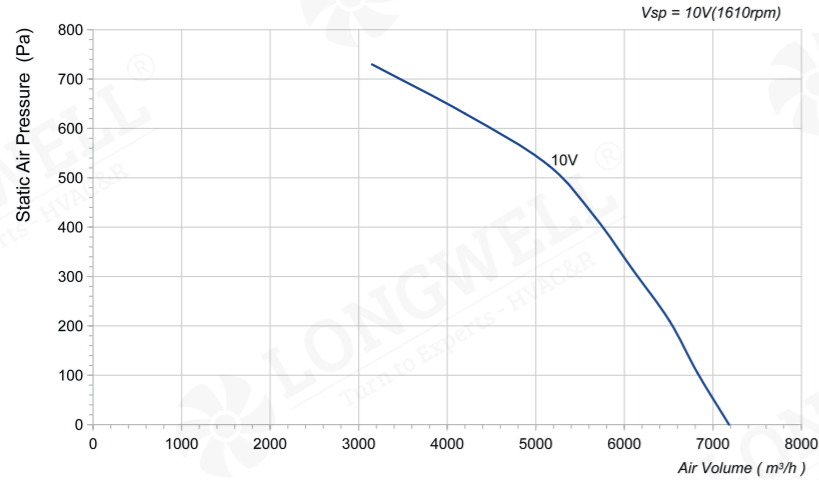


Technical Specifications

Model	Voltage (V)	Input Power (W)	Current (A)	Air Volume (m³/h)	Static Pressure (Pa)	Speed (RPM)	Noise [dB(A)]
LWBE3G450-188NT-15	400	1590	3.45	7425	1568	2400	/



LWBE-450 Serie



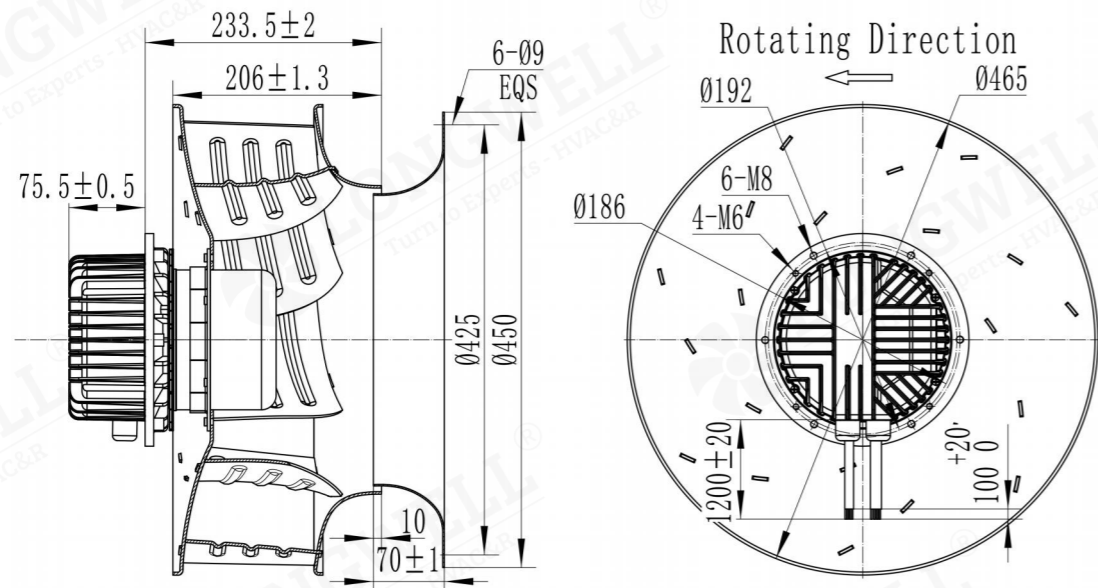
Product Characteristic

- Impeller Material: Aluminum Alloy
- Direction of Rotation: Clockwise, seen on rotor
- Protection Class: IP54
- Mounting Position: Horizontal or Vertical
- Bearing: Maintenance-free ball bearings
- Protection: Tach output, Locked-Rotor protection Reverse Polarity, Over-voltage protection, Soft Start
- Supply Voltage: 400V, 50/60Hz
- Mode of Operation: S1
- Insulation Class: F
- Operation Temperature: -25°C ~ +60°C
- Technical Features: Control input 0-10VDC/PWM

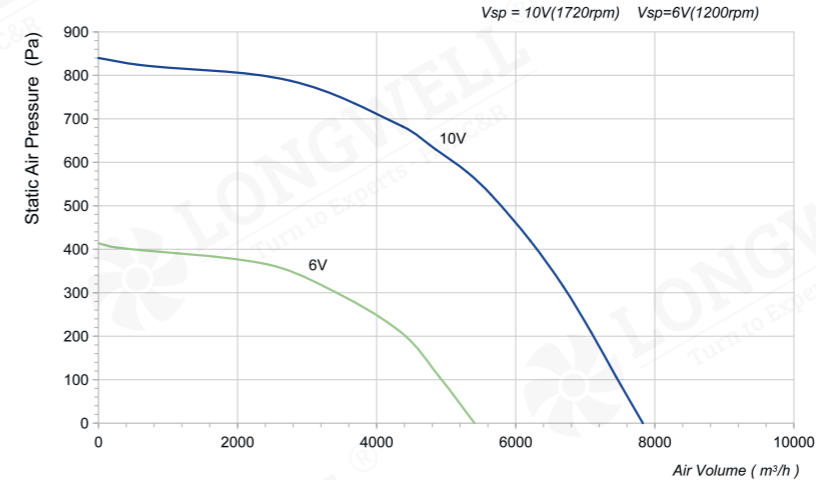


Technical Specifications

Model	Voltage (V)	Input Power (W)	Current (A)	Air Volume (m³/h)	Static Pressure (Pa)	Speed (RPM)	Noise [dB(A)]
LWBE3G450-138NT-12	400	900	/	7182	730	1610	/



LWBE-450 Serie



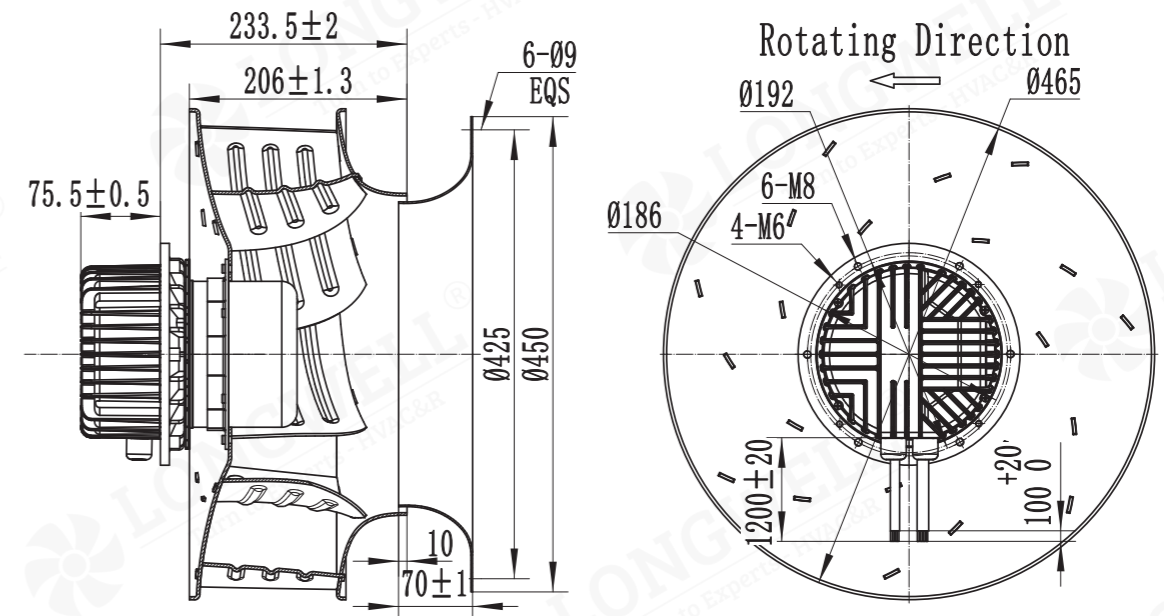
Product Characteristic

- Impeller Material: Aluminum Alloy
- Direction of Rotation: Clockwise, seen on rotor
- Protection Class: IP54
- Mounting Position: Horizontal or Vertical
- Bearing: Maintenance-free ball bearings
- Protection: Tach output, Locked-Rotor protection Reverse Polarity, Over-voltage protection, Soft Start
- Supply Voltage: 400V, 50/60Hz
- Mode of Operation: S1
- Insulation Class: F
- Operation Temperature: -25°C ~ +60°C
- Technical Features: Control input 0-10VDC/PWM

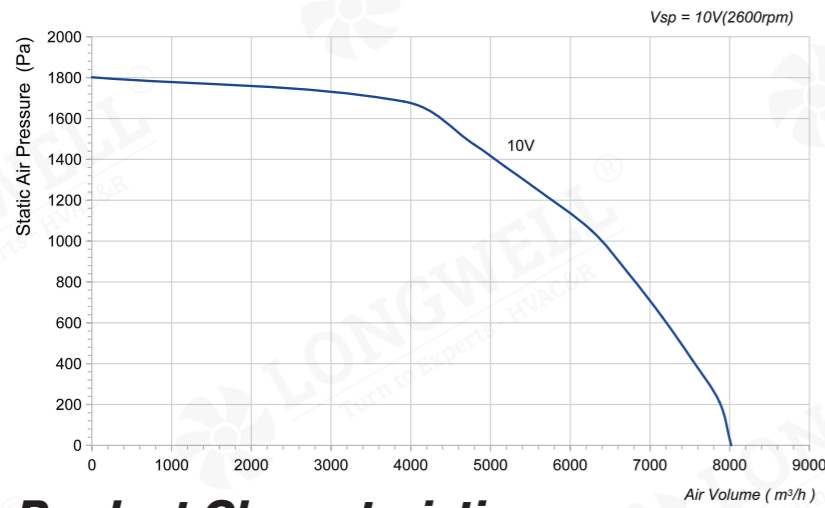


Technical Specifications

Model	Voltage (V)	Input Power (W)	Current (A)	Air Volume (m³/h)	Static Pressure (Pa)	Speed (RPM)	Noise [dB(A)]
LWBE3G450-138NT-08	400	910	3.4	7828	824	1720	/



LWBE-450 Serie



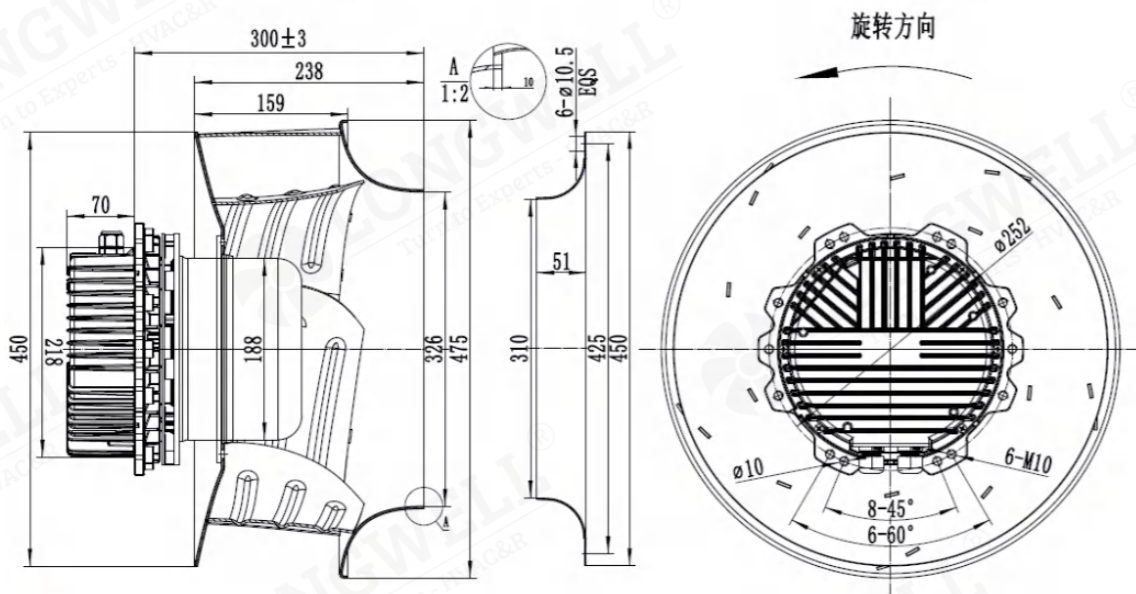
Product Characteristic

- Impeller Material: Aluminum Alloy
- Direction of Rotation: Clockwise, seen on rotor
- Protection Class: IP54
- Mounting Position: Horizontal or Vertical
- Bearing: Maintenance-free ball bearings
- Protection: Tach output, Locked-Rotor protection Reverse Polarity, Over-voltage protection, Soft Start
- Supply Voltage: 400V, 50/60Hz
- Mode of Operation: S1
- Insulation Class: F
- Operation Temperature: -25°C ~ +60°C
- Technical Features: Control input 0-10VDC/PWM

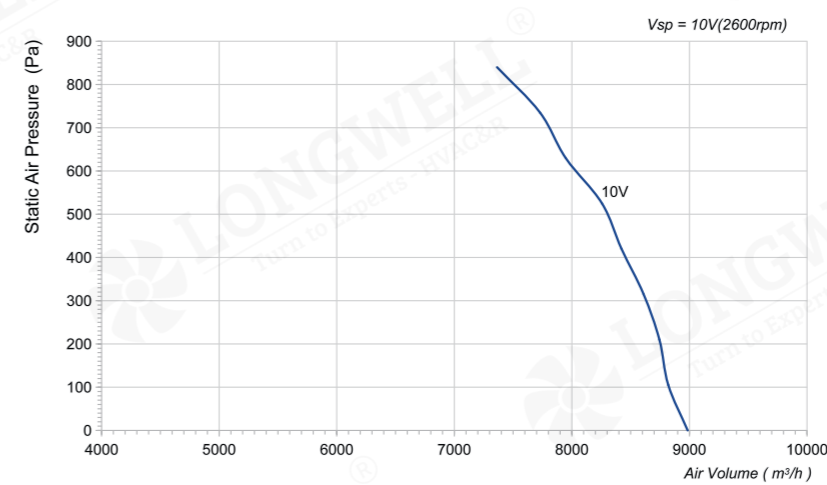


Technical Specifications

Model	Voltage (V)	Input Power (W)	Current (A)	Air Volume (m³/h)	Static Pressure (Pa)	Speed (RPM)	Noise [dB(A)]
LWBE3G450-188NT-16	400	2060	4.2	8019	1802	2600	/



LWBE-450 Serie



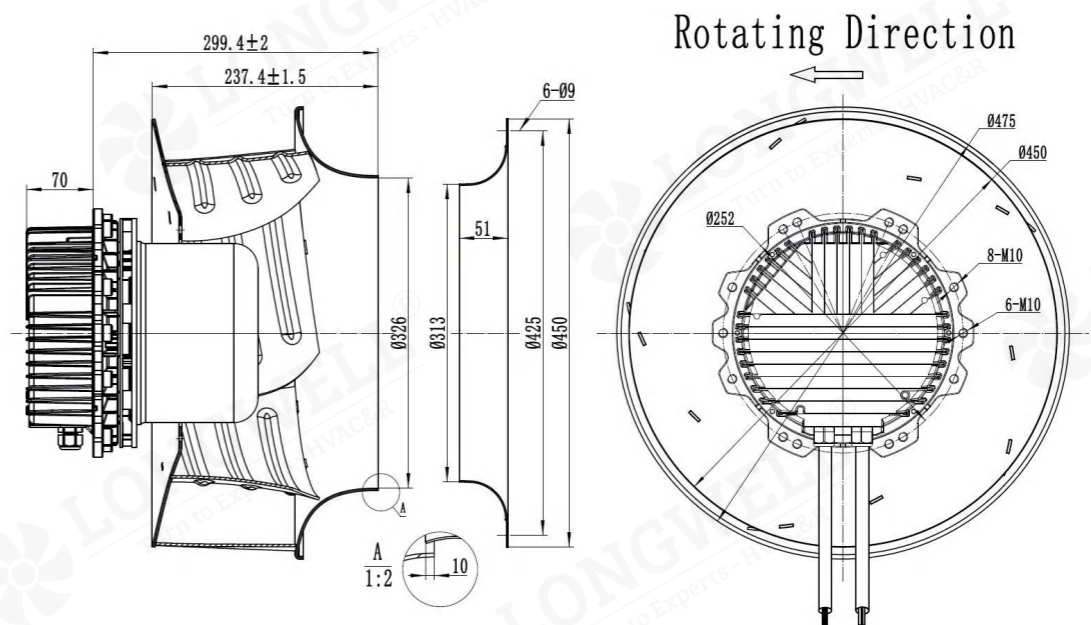
Product Characteristic

- Impeller Material: Aluminum Alloy
- Direction of Rotation: Clockwise, seen on rotor
- Protection Class: IP54
- Mounting Position: Horizontal or Vertical
- Bearing: Maintenance-free ball bearings
- Protection: Tach output, Locked-Rotor protection Reverse Polarity, Over-voltage protection, Soft Start
- Supply Voltage: 400V, 50/60Hz
- Mode of Operation: S1
- Insulation Class: F
- Operation Temperature: -25°C ~ +60°C
- Technical Features: Control input 0-10VDC/PWM

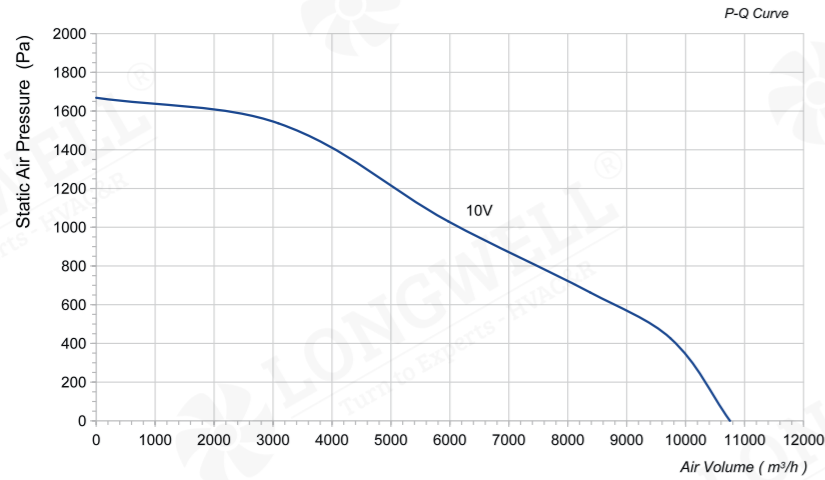


Technical Specifications

Model	Voltage (V)	Input Power (W)	Current (A)	Air Volume (m³/h)	Static Pressure (Pa)	Speed (RPM)	Noise [dB(A)]
LWBE3G450-188NT-14	400	2400	5.2	8985	840	2600	/



LWBE-450 Serie



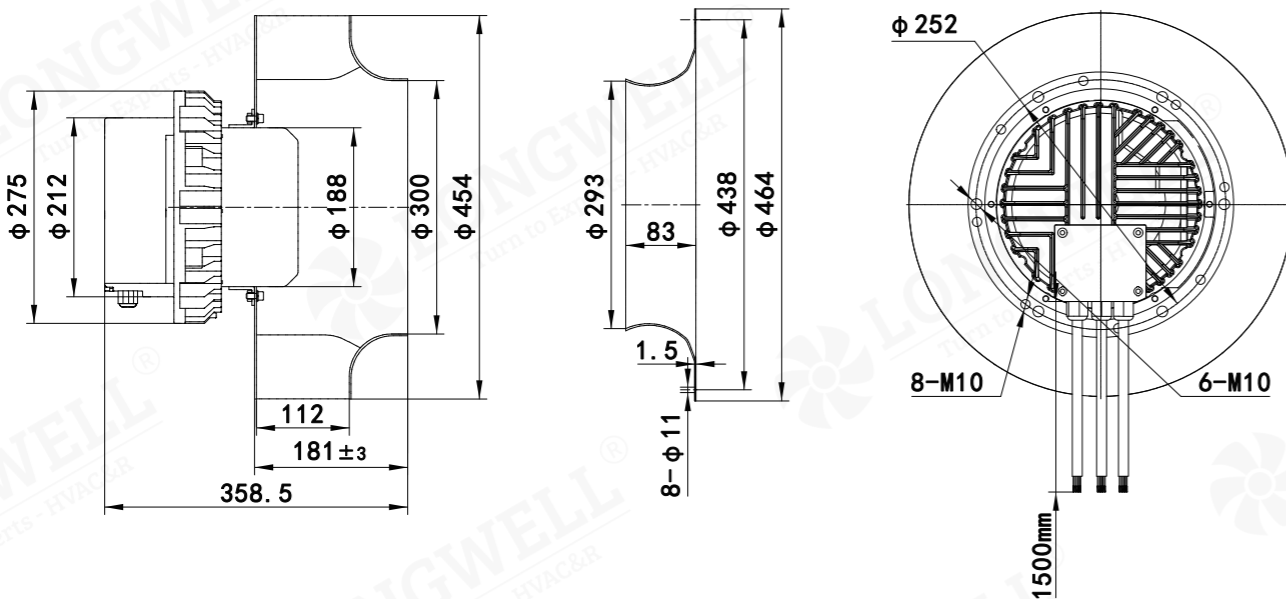
Product Characteristic

- Impeller Material: Aluminum Alloy
- Direction of Rotation: Clockwise, seen on rotor
- Protection Class: IP54
- Mounting Position: Horizontal or Vertical
- Bearing: Maintenance-free ball bearings
- Protection: Tach output, Locked-Rotor protection Reverse Polarity, Over-voltage protection, Soft Start
- Supply Voltage: 380V, 50/60Hz
- Mode of Operation: S1
- Insulation Class: F
- Operation Temperature: -25°C ~ +60°C
- Technical Features: Control input 0-10VDC/PWM

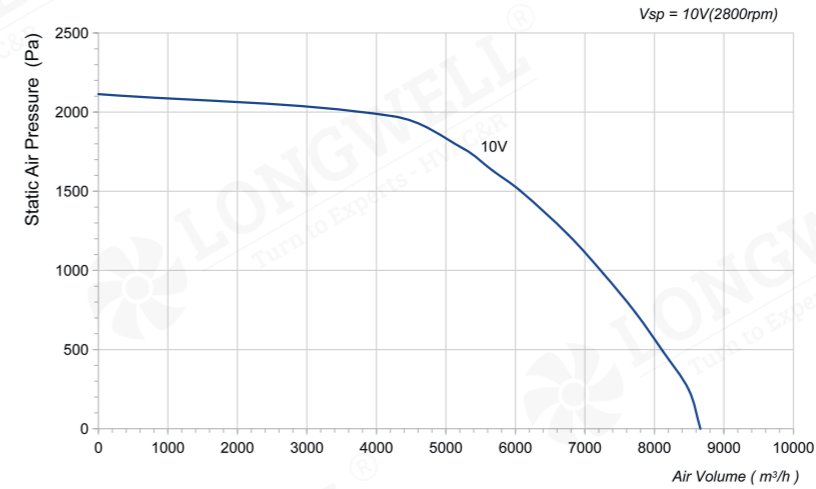


Technical Specifications

Model	Voltage (V)	Input Power (W)	Current (A)	Air Volume (m³/h)	Static Pressure (Pa)	Speed (RPM)	Noise [dB(A)]
LWBE3G450-188NT-22	380	2400	4	10752	1669	2400	92



LWBE-450 Serie



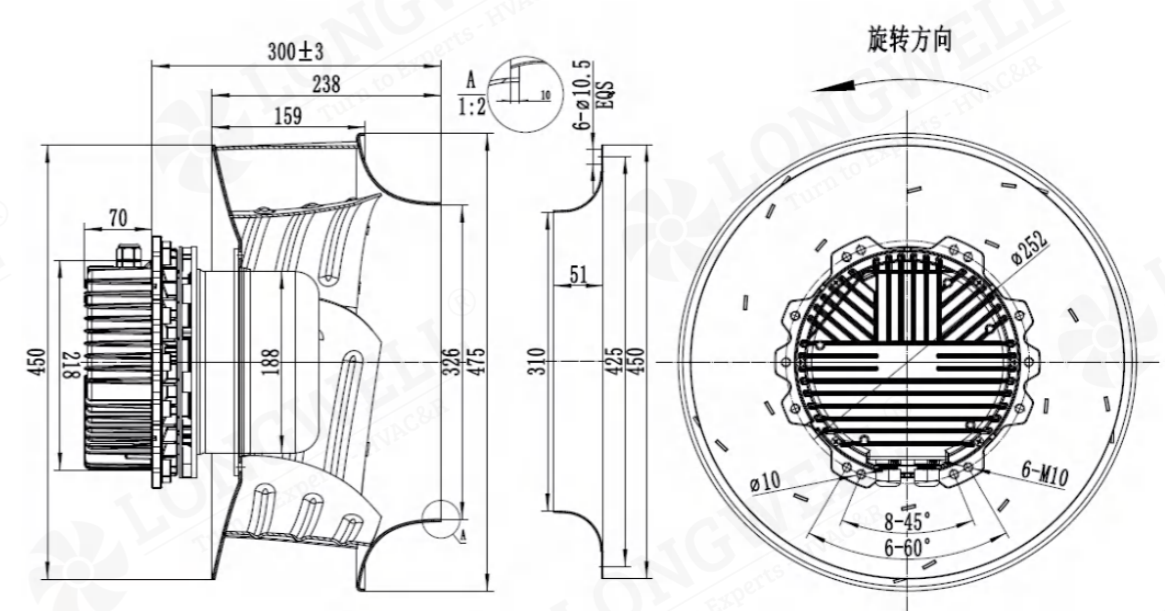
Product Characteristic

- Impeller Material: Aluminum Alloy
- Direction of Rotation: Clockwise, seen on rotor
- Protection Class: IP54
- Mounting Position: Horizontal or Vertical
- Bearing: Maintenance-free ball bearings
- Protection: Tach output, Locked-Rotor protection Reverse Polarity, Over-voltage protection, Soft Start
- Supply Voltage: 400V, 50/60Hz
- Mode of Operation: S1
- Insulation Class: F
- Operation Temperature: -25°C ~ +60°C
- Technical Features: Control input 0-10VDC/PWM

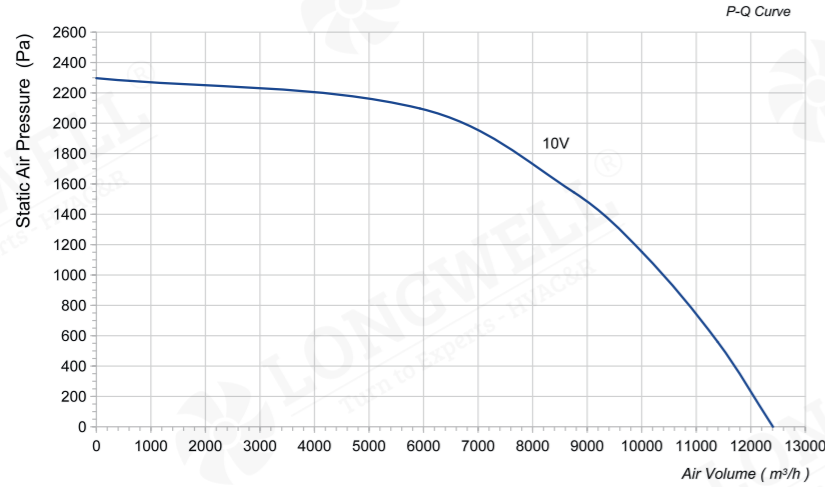


Technical Specifications

Model	Voltage (V)	Input Power (W)	Current (A)	Air Volume (m³/h)	Static Pressure (Pa)	Speed (RPM)	Noise [dB(A)]
LWBE3G450-188NT-17	400	2595	5.3	8661	2114	2800	/



LWBE-450 Serie



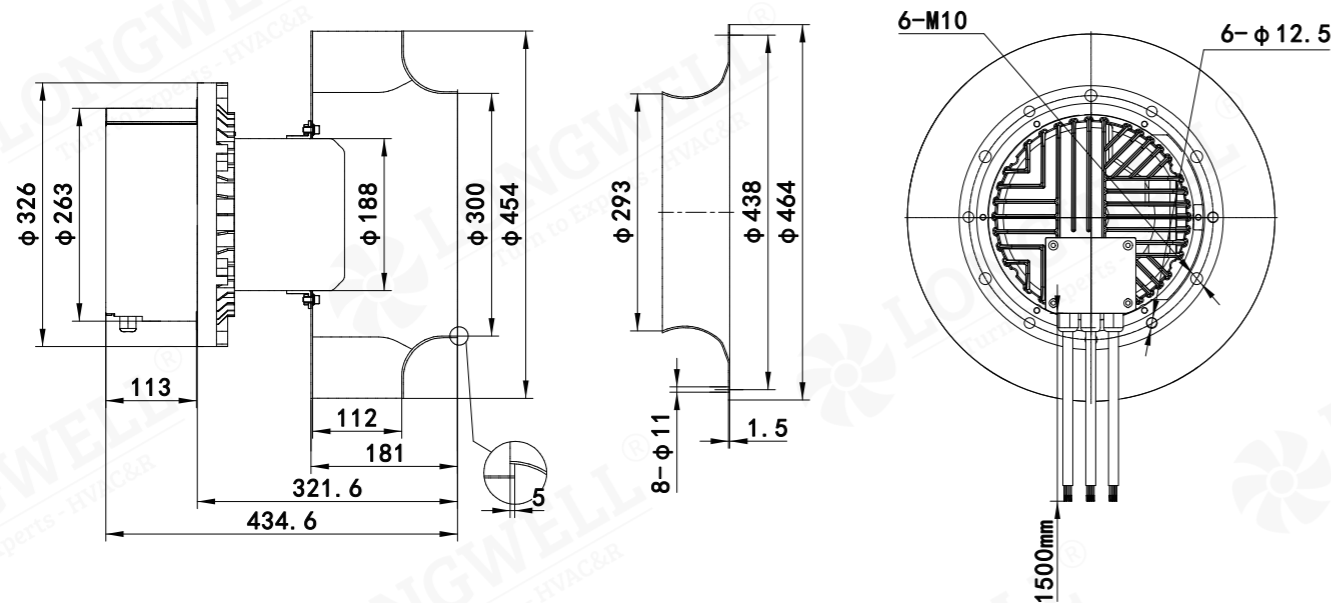
Product Characteristic

- Impeller Material: Aluminum Alloy
- Direction of Rotation: Clockwise, seen on rotor
- Protection Class: IP54
- Mounting Position: Horizontal or Vertical
- Bearing: Maintenance-free ball bearings
- Protection: Tach output, Locked-Rotor protection Reverse Polarity, Over-voltage protection, Soft Start
- Supply Voltage: 380V, 50/60Hz
- Mode of Operation: S1
- Insulation Class: F
- Operation Temperature: -25°C ~ +60°C
- Technical Features: Control input 0-10VDC/PWM

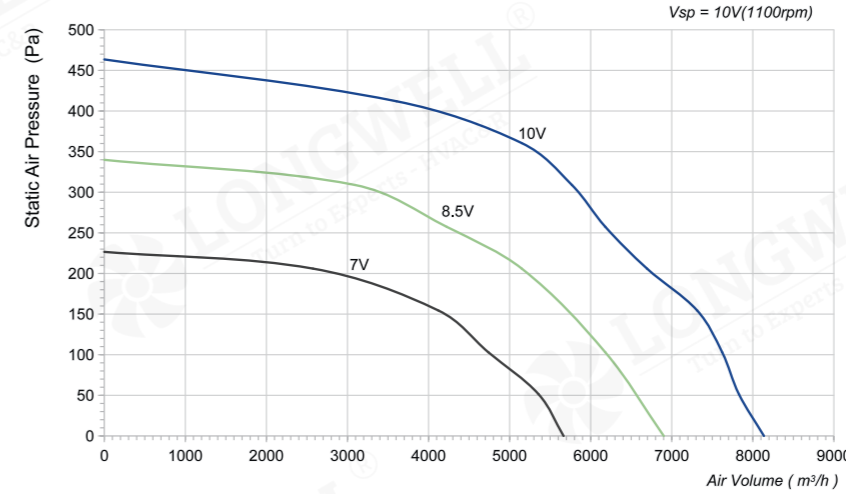


Technical Specifications

Model	Voltage (V)	Input Power (W)	Current (A)	Air Volume (m³/h)	Static Pressure (Pa)	Speed (RPM)	Noise [dB(A)]
LWBE3G450-188NT-21	380	4600	8	12647	2342	2800	96



LWBE-500 Serie



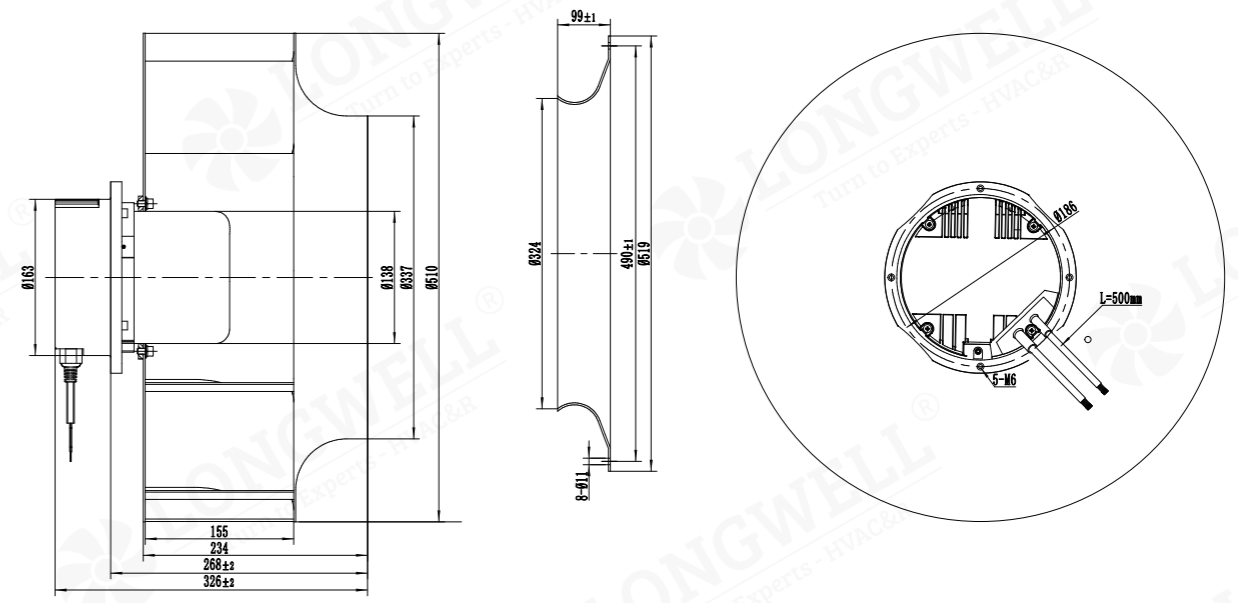
Product Characteristic

- Impeller Material: Aluminum Alloy
- Direction of Rotation: Clockwise, seen on rotor
- Protection Class: IP44
- Mounting Position: Horizontal or Vertical
- Bearing: Maintenance-free ball bearings
- Protection: Tach output, Locked-Rotor protection Reverse Polarity, Over-voltage protection, Soft Start
- Supply Voltage: 400V, 50/60Hz
- Mode of Operation: S1
- Insulation Class: F
- Operation Temperature: -25°C ~ +60°C
- Technical Features: Control input 0-10VDC/PWM

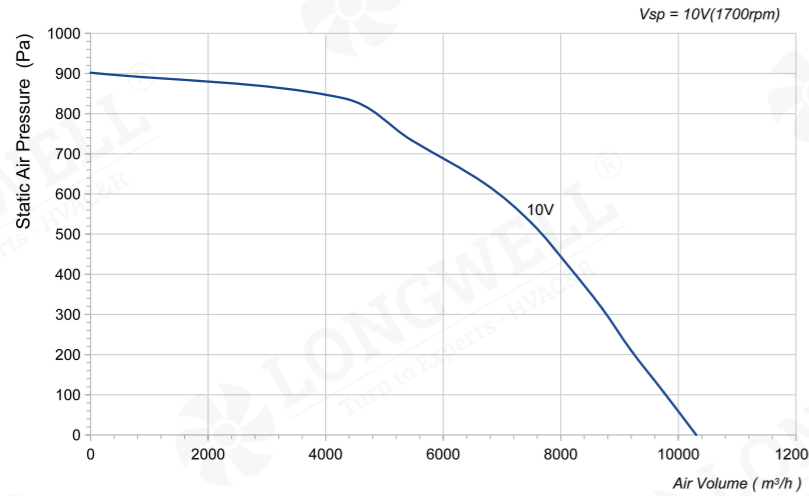


Technical Specifications

Model	Voltage (V)	Input Power (W)	Current (A)	Air Volume (m³/h)	Static Pressure (Pa)	Speed (RPM)	Noise [dB(A)]
LWBE3G500-138NT-13	400	870	1.46	8137	464	1100	71



LWBE-500 Serie



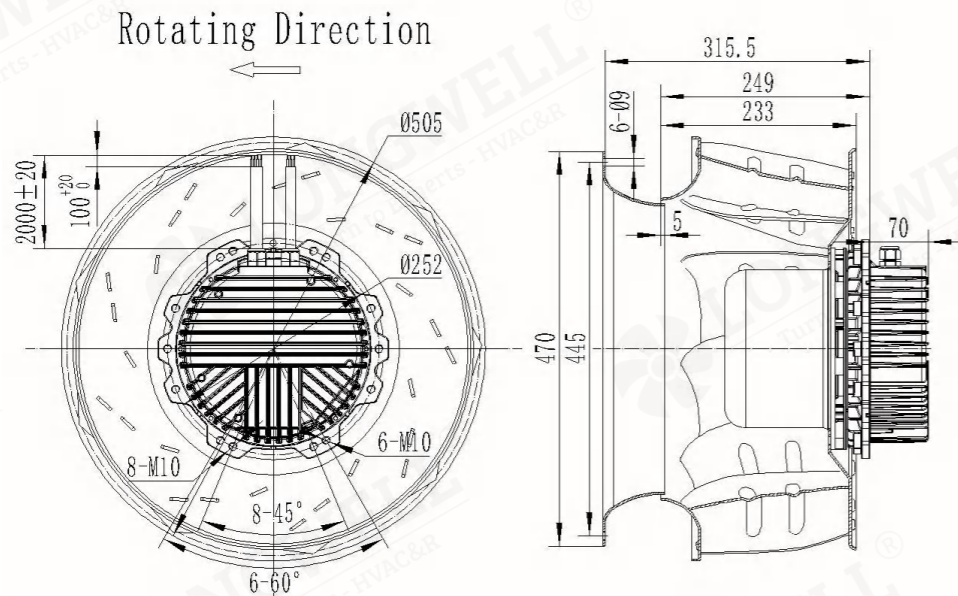
Product Characteristic

- Impeller Material: Aluminum Alloy
- Direction of Rotation: Clockwise, seen on rotor
- Protection Class: IP54
- Mounting Position: Horizontal or Vertical
- Bearing: Maintenance-free ball bearings
- Protection: Tach output, Locked-Rotor protection Reverse Polarity, Over-voltage protection, Soft Start
- Supply Voltage: 400V, 50/60Hz
- Mode of Operation: S1
- Insulation Class: F
- Operation Temperature: -25°C ~ +60°C
- Technical Features: Control input 0-10VDC/PWM

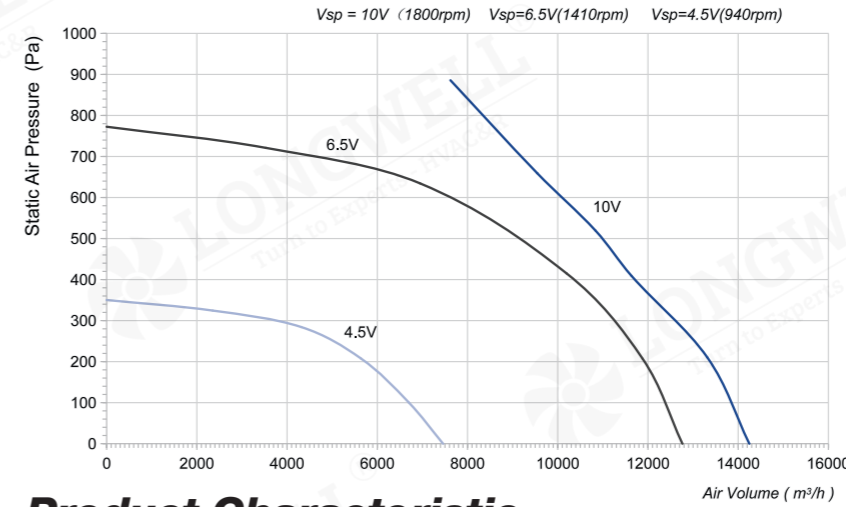


Technical Specifications

Model	Voltage (V)	Input Power (W)	Current (A)	Air Volume (m³/h)	Static Pressure (Pa)	Speed (RPM)	Noise [dB(A)]
LWBE3G500-188NT-14	400	1900	4	10305	903	1705	/



LWBE-500 Serie



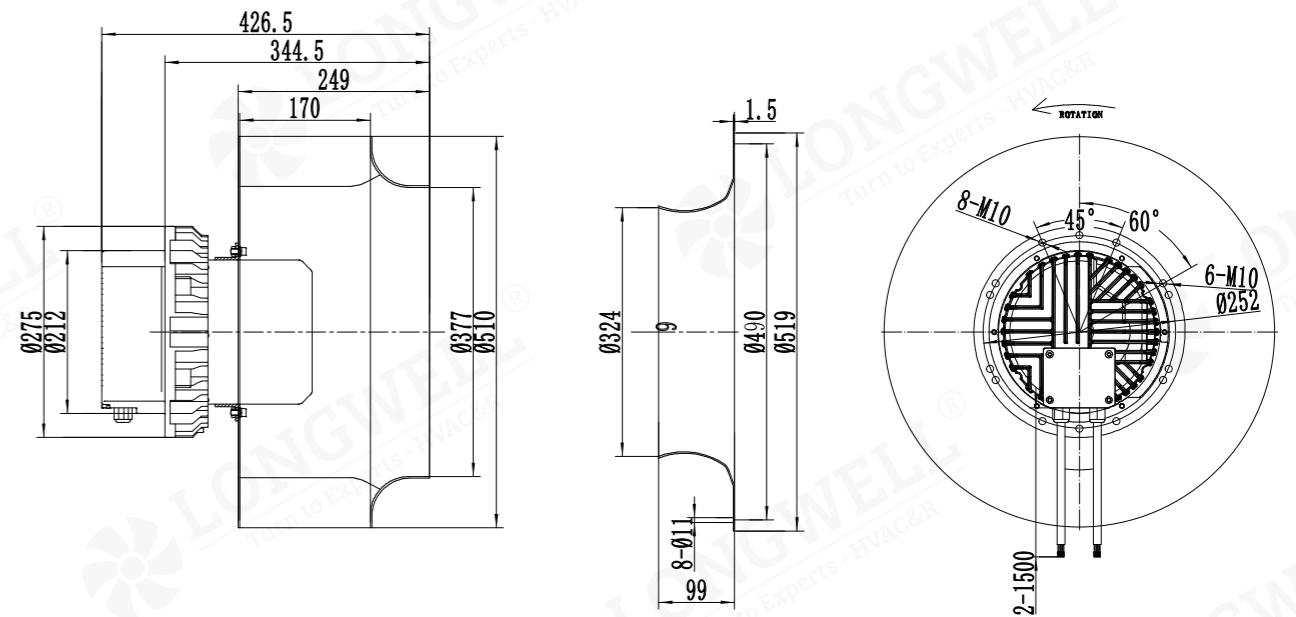
Product Characteristic

- Impeller Material: Aluminum Alloy
- Direction of Rotation: Clockwise, seen on rotor
- Protection Class: IP54
- Mounting Position: Horizontal or Vertical
- Bearing: Maintenance-free ball bearings
- Protection: Tach output, Locked-Rotor protection Reverse Polarity, Over-voltage protection, Soft Start
- Supply Voltage: 400V, 50/60Hz
- Mode of Operation: S1
- Insulation Class: F
- Operation Temperature: -25°C ~ +60°C
- Technical Features: Control input 0-10VDC/PWM

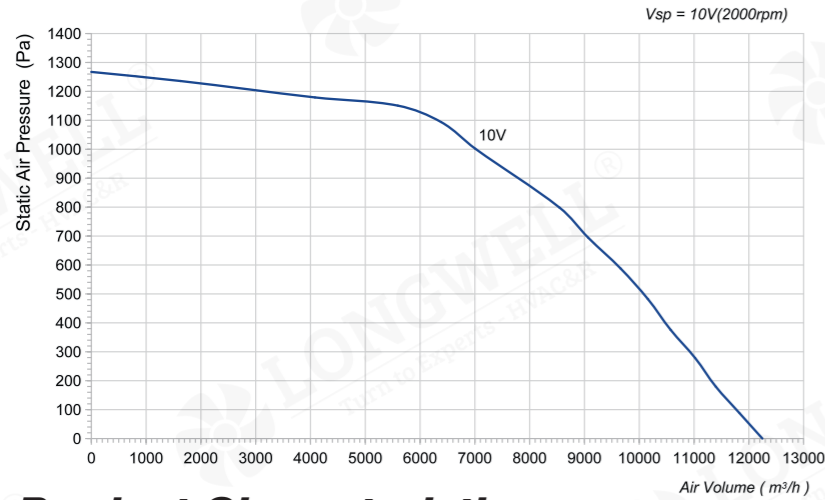


Technical Specifications

Model	Voltage (V)	Input Power (W)	Current (A)	Air Volume (m³/h)	Static Pressure (Pa)	Speed (RPM)	Noise [dB(A)]
LWBE3G500-188NT-08	400	3000	4.95	14214	886	1800	89



LWBE-500 Serie



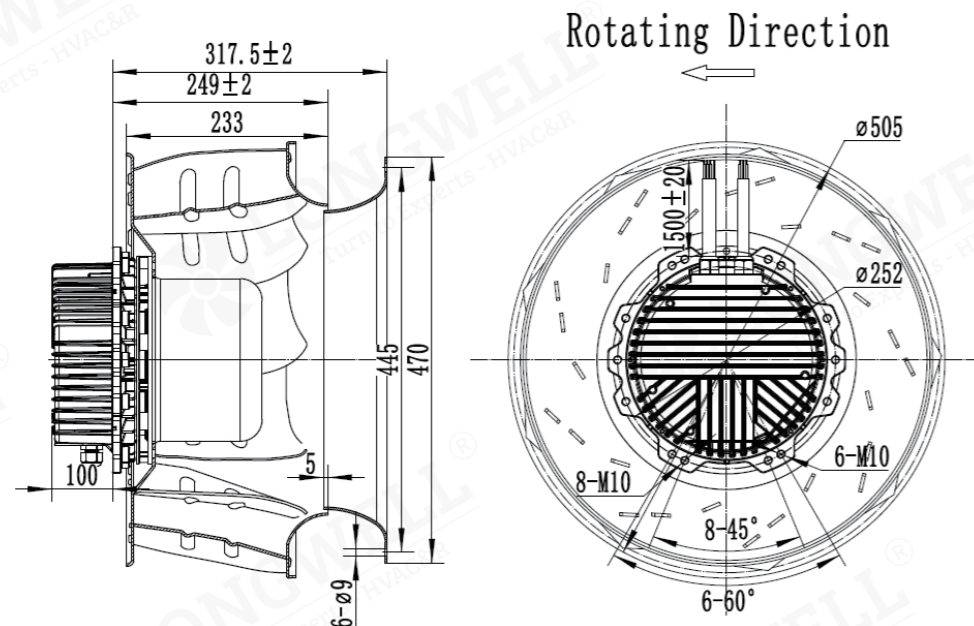
Product Characteristic

- Impeller Material: Aluminum Alloy
- Direction of Rotation: Clockwise, seen on rotor
- Protection Class: IP54
- Mounting Position: Horizontal or Vertical
- Bearing: Maintenance-free ball bearings
- Protection: Tach output, Locked-Rotor protection Reverse Polarity, Over-voltage protection, Soft Start
- Supply Voltage: 400V, 50/60Hz
- Mode of Operation: S1
- Insulation Class: F
- Operation Temperature: -25°C ~ +60°C
- Technical Features: Control input 0-10VDC/PWM

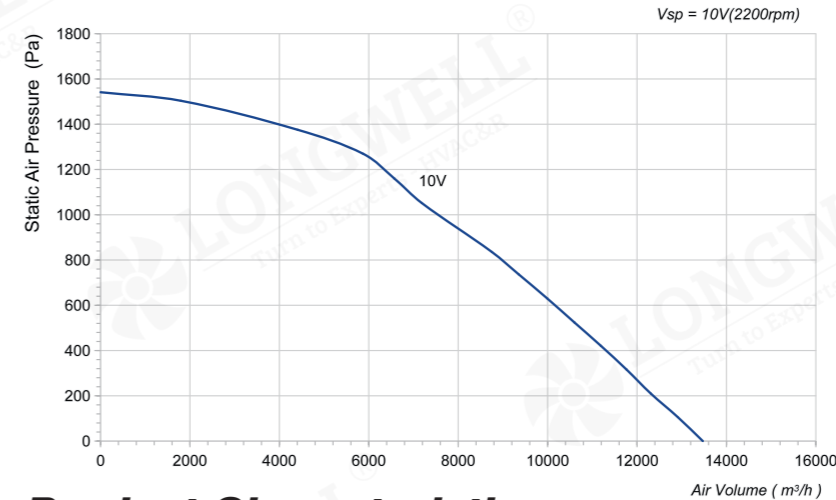


Technical Specifications

Model	Voltage (V)	Input Power (W)	Current (A)	Air Volume (m³/h)	Static Pressure (Pa)	Speed (RPM)	Noise [dB(A)]
LWBE3G500-188NT-09	400	3160	6.5	12243	1265	2000	/



LWBE-500 Serie



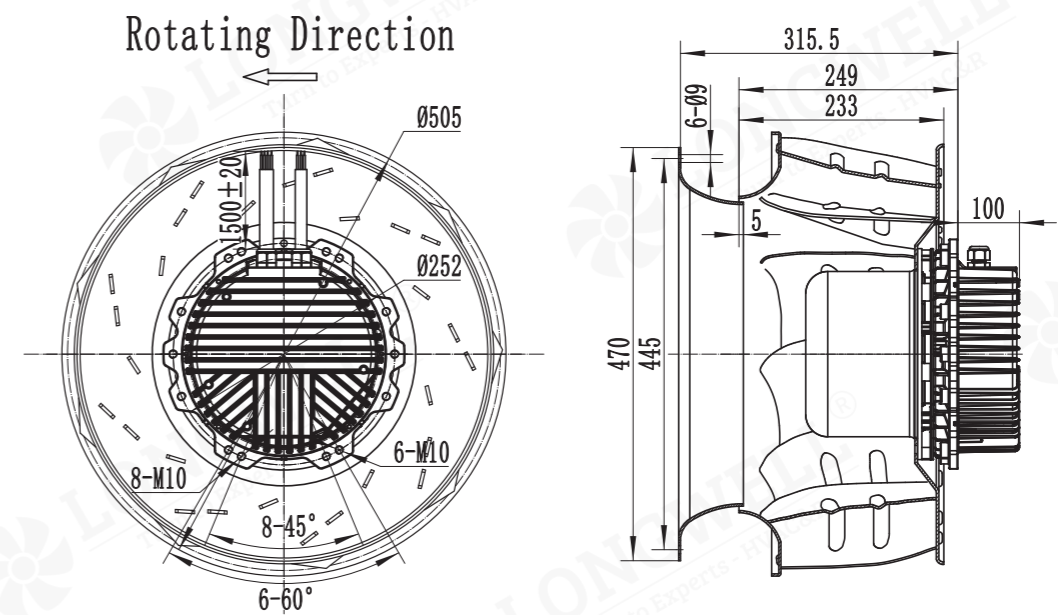
Product Characteristic

- Impeller Material: Aluminum Alloy
- Direction of Rotation: Clockwise, seen on rotor
- Protection Class: IP54
- Mounting Position: Horizontal or Vertical
- Bearing: Maintenance-free ball bearings
- Protection: Tach output, Locked-Rotor protection Reverse Polarity, Over-voltage protection, Soft Start
- Supply Voltage: 400V, 50/60Hz
- Mode of Operation: S1
- Insulation Class: F
- Operation Temperature: -25°C ~ +60°C
- Technical Features: Control input 0-10VDC/PWM

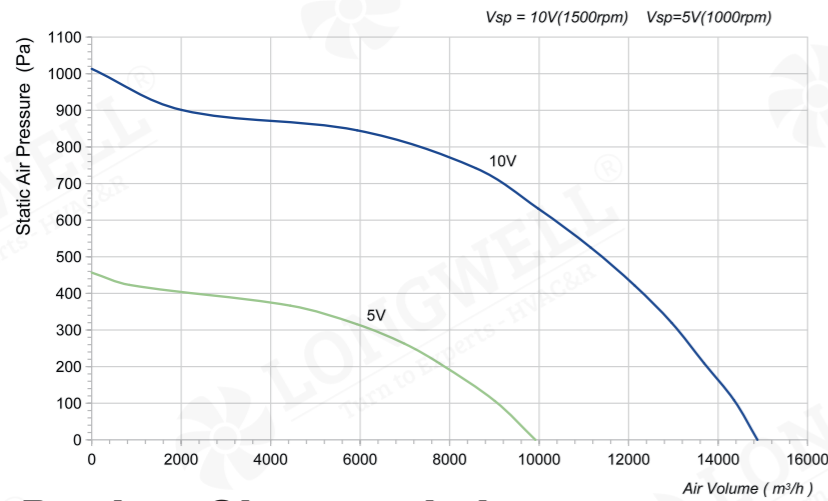


Technical Specifications

Model	Voltage (V)	Input Power (W)	Current (A)	Air Volume (m³/h)	Static Pressure (Pa)	Speed (RPM)	Noise [dB(A)]
LWBE3G500-188NT-10	400	4200	9	13472	1541	2200	/



LWBE-560 Serie



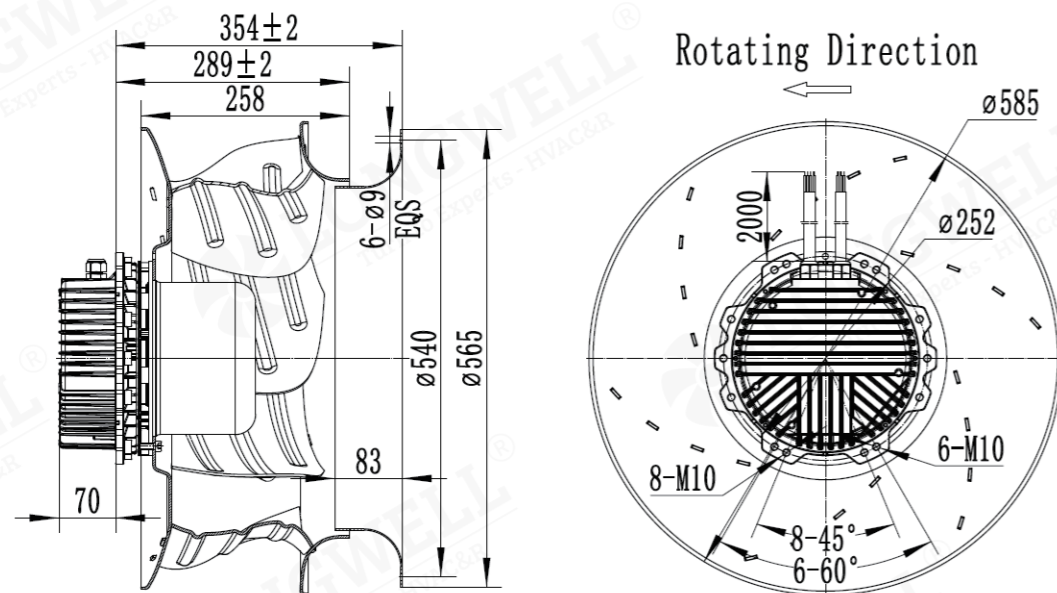
Product Characteristic

- Impeller Material: Aluminum Alloy
- Direction of Rotation: Clockwise, seen on rotor
- Protection Class: IP54
- Mounting Position: Horizontal or Vertical
- Bearing: Maintenance-free ball bearings
- Protection: Tach output, Locked-Rotor protection Reverse Polarity, Over-voltage protection, Soft Start
- Supply Voltage: 400V, 50/60Hz
- Mode of Operation: S1
- Insulation Class: F
- Operation Temperature: -25°C ~ +60°C
- Technical Features: Control input 0-10VDC/PWM

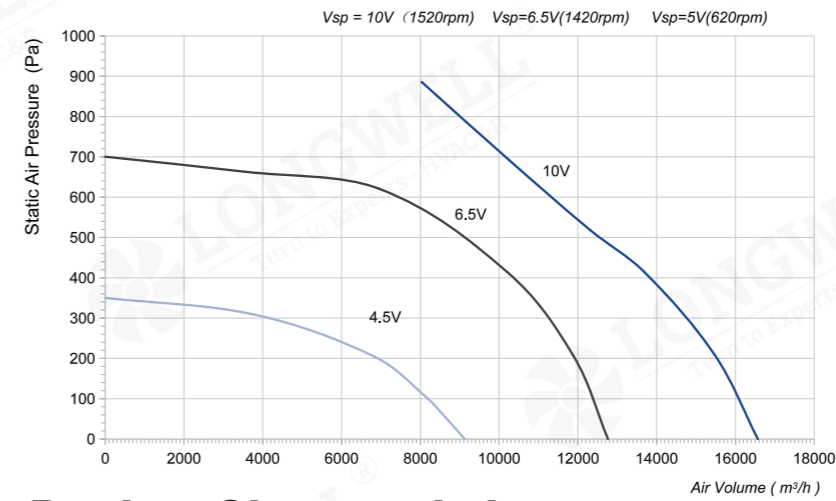


Technical Specifications

Model	Voltage (V)	Input Power (W)	Current (A)	Air Volume (m³/h)	Static Pressure (Pa)	Speed (RPM)	Noise [dB(A)]
LWBE3G560-188NT-10	400	2420	5.3	14879	1013	1500	/



LWBE-560 Serie



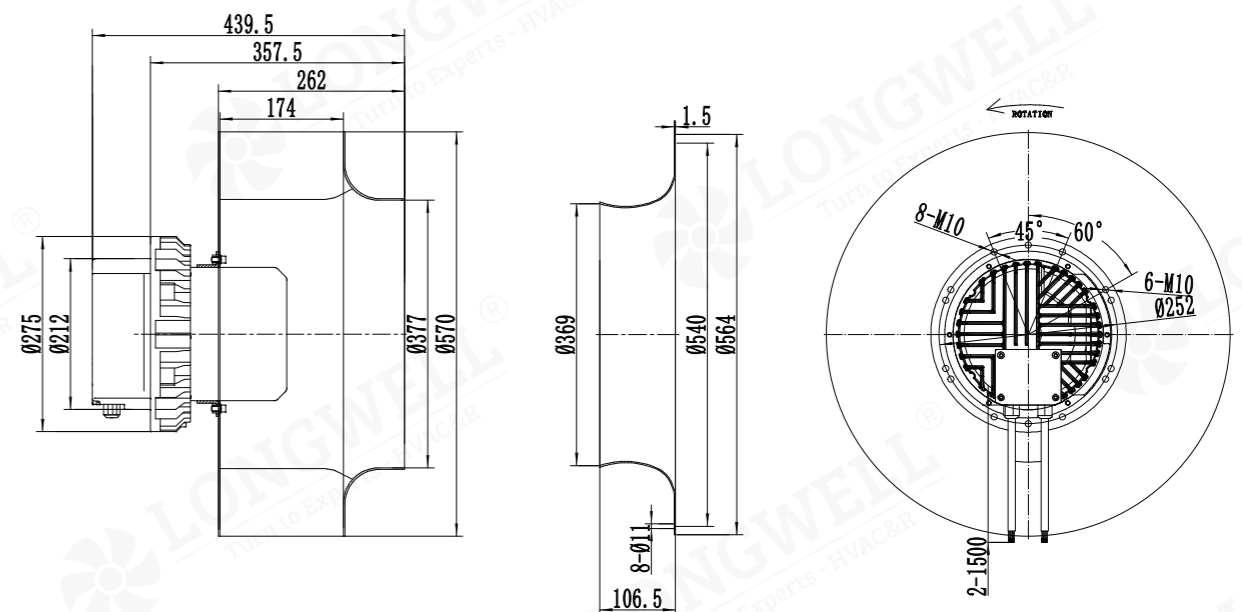
Product Characteristic

- Impeller Material: Aluminum Alloy
- Direction of Rotation: Clockwise, seen on rotor
- Protection Class: IP54
- Mounting Position: Horizontal or Vertical
- Bearing: Maintenance-free ball bearings
- Protection: Tach output, Locked-Rotor protection Reverse Polarity, Over-voltage protection, Soft Start
- Supply Voltage: 400V, 50/60Hz
- Mode of Operation: S1
- Insulation Class: F
- Operation Temperature: -25°C ~ +60°C
- Technical Features: Control input 0-10VDC/PWM

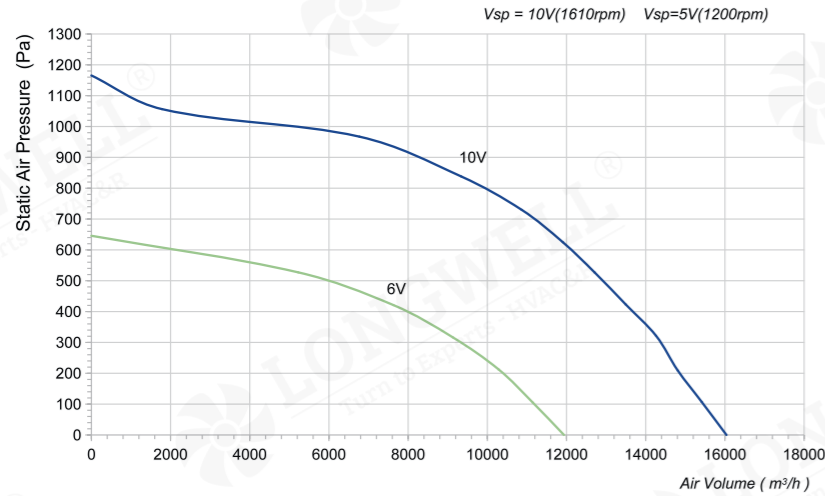


Technical Specifications

Model	Voltage (V)	Input Power (W)	Current (A)	Air Volume (m³/h)	Static Pressure (Pa)	Speed (RPM)	Noise [dB(A)]
LWBE3G560-188NT-09	400	2770	4.4	16480	886	1520	81



LWBE-560 Serie



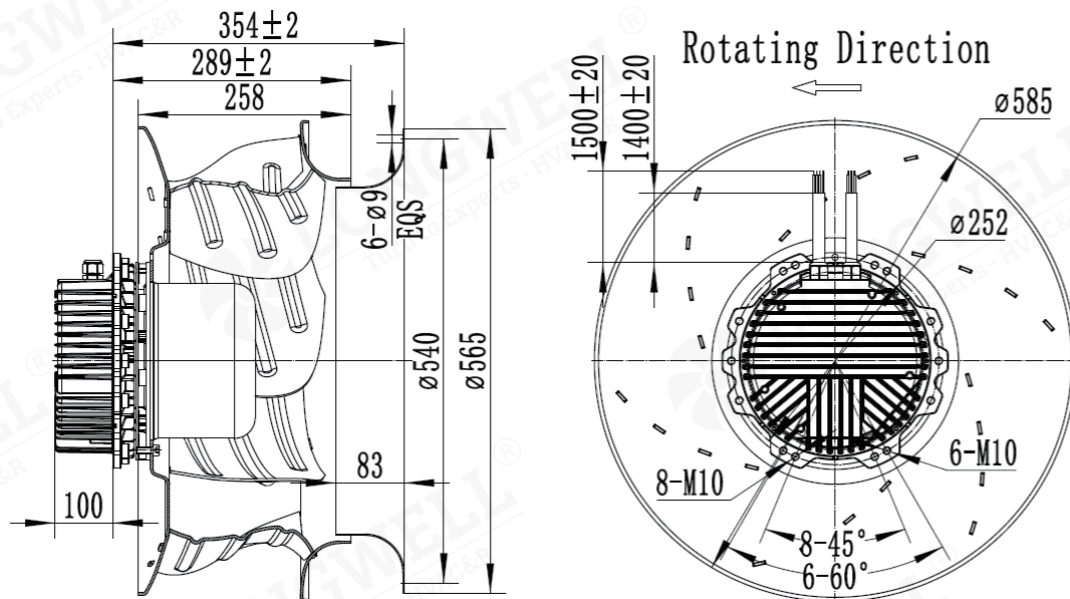
Product Characteristic

- Impeller Material: Aluminum Alloy
- Direction of Rotation: Clockwise, seen on rotor
- Protection Class: IP54
- Mounting Position: Horizontal or Vertical
- Bearing: Maintenance-free ball bearings
- Protection: Tach output, Locked-Rotor protection Reverse Polarity, Over-voltage protection, Soft Start
- Supply Voltage: 400V, 50/60Hz
- Mode of Operation: S1
- Insulation Class: F
- Operation Temperature: -25°C ~ +60°C
- Technical Features: Control input 0-10VDC/PWM

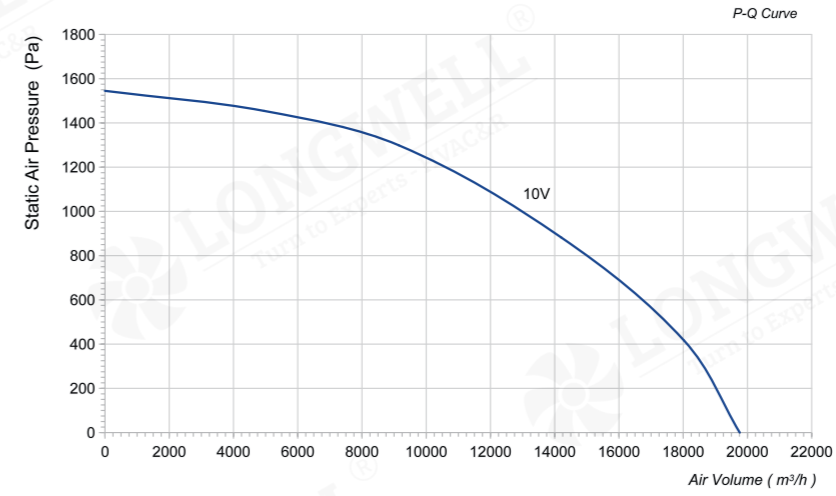


Technical Specifications

Model	Voltage (V)	Input Power (W)	Current (A)	Air Volume (m³/h)	Static Pressure (Pa)	Speed (RPM)	Noise [dB(A)]
LWBE3G560-188NT-01	400	3300	8	16039	1166	1610	/



LWBE-560 Serie



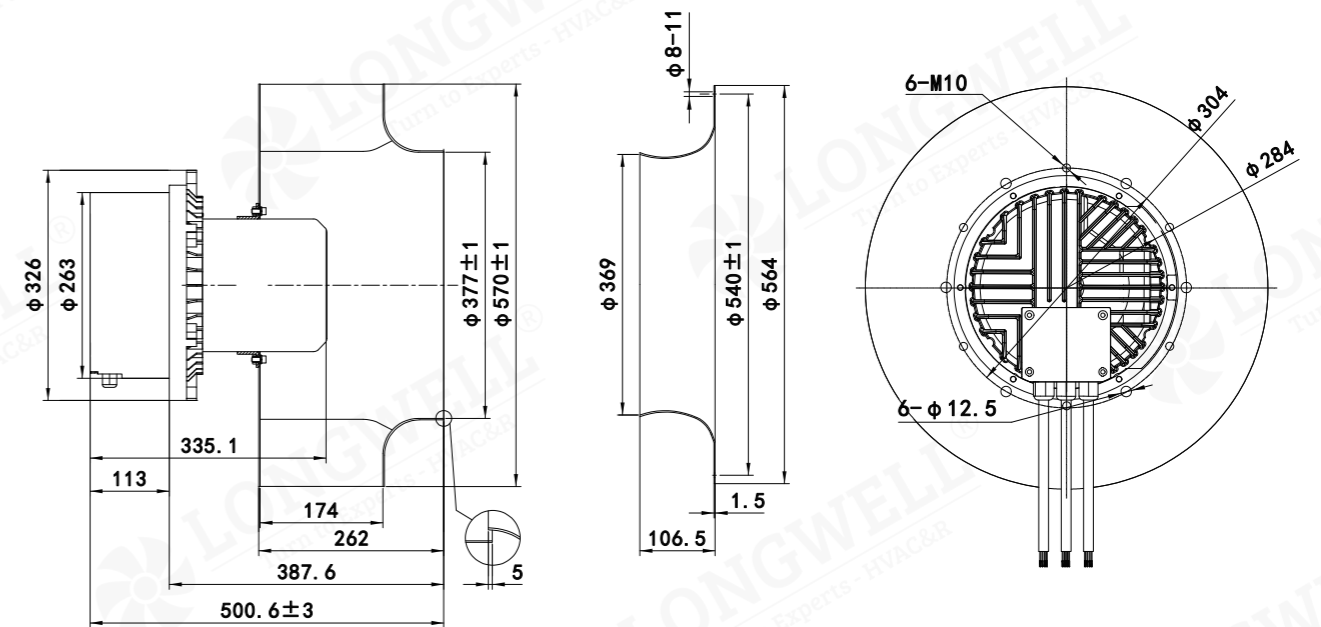
Product Characteristic

- Impeller Material: Aluminum Alloy
- Direction of Rotation: Clockwise, seen on rotor
- Protection Class: IP54
- Mounting Position: Horizontal or Vertical
- Bearing: Maintenance-free ball bearings
- Protection: Tach output, Locked-Rotor protection Reverse Polarity, Over-voltage protection, Soft Start
- Supply Voltage: 380V, 50/60Hz
- Mode of Operation: S1
- Insulation Class: F
- Operation Temperature: -25°C ~ +60°C
- Technical Features: Control input 0-10VDC/PWM

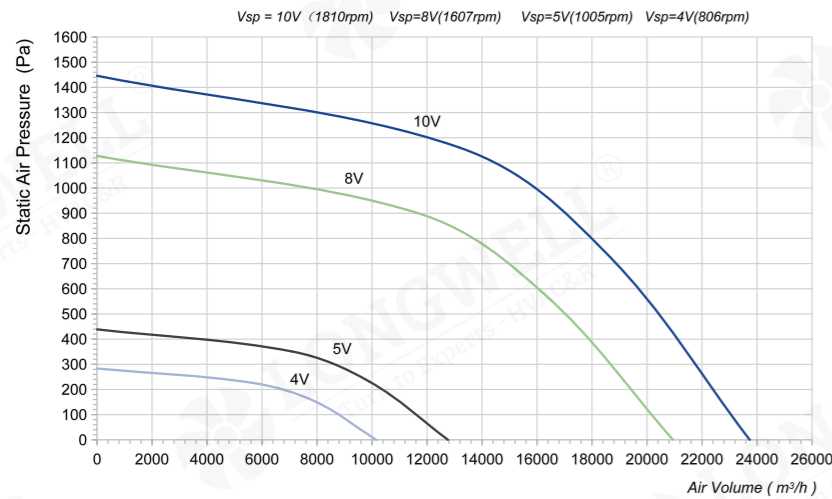


Technical Specifications

Model	Voltage (V)	Input Power (W)	Current (A)	Air Volume (m³/h)	Static Pressure (Pa)	Speed (RPM)	Noise [dB(A)]
LWBE3G560-188NT-14	380	4700	7.9	19760	1545	1850	91



LWBE-560 Serie



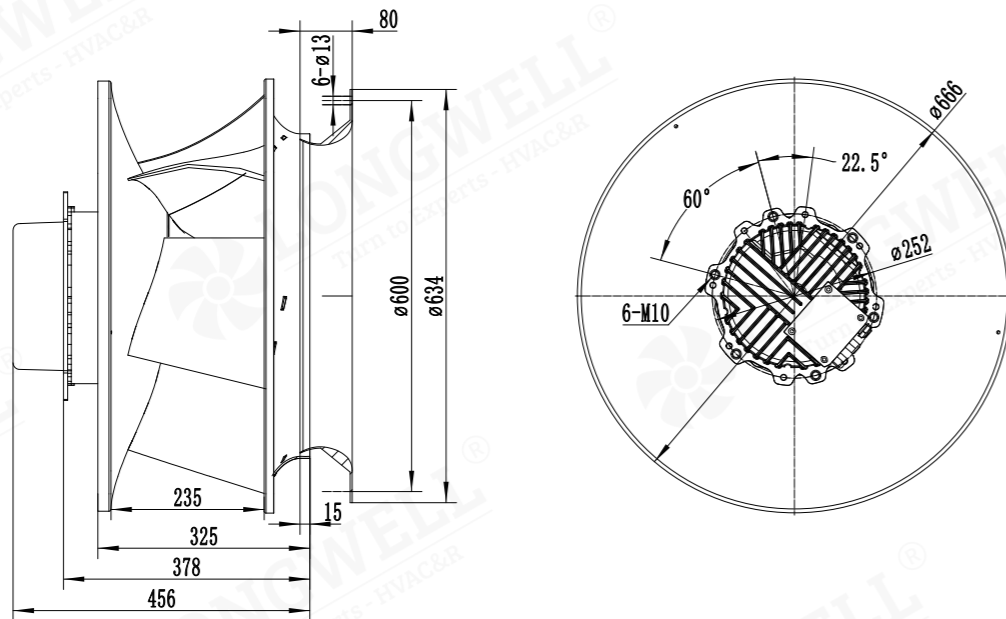
Product Characteristic

- Impeller Material: Aluminum Alloy
- Direction of Rotation: Clockwise, seen on rotor
- Protection Class: IP54
- Mounting Position: Horizontal or Vertical
- Bearing: Maintenance-free ball bearings
- Protection: Tach output, Locked-Rotor protection Reverse Polarity, Over-voltage protection, Soft Start
- Supply Voltage: 400V, 50/60Hz
- Mode of Operation: S1
- Insulation Class: F
- Operation Temperature: -25°C ~ +60°C
- Technical Features: Control input 0-10VDC/PWM

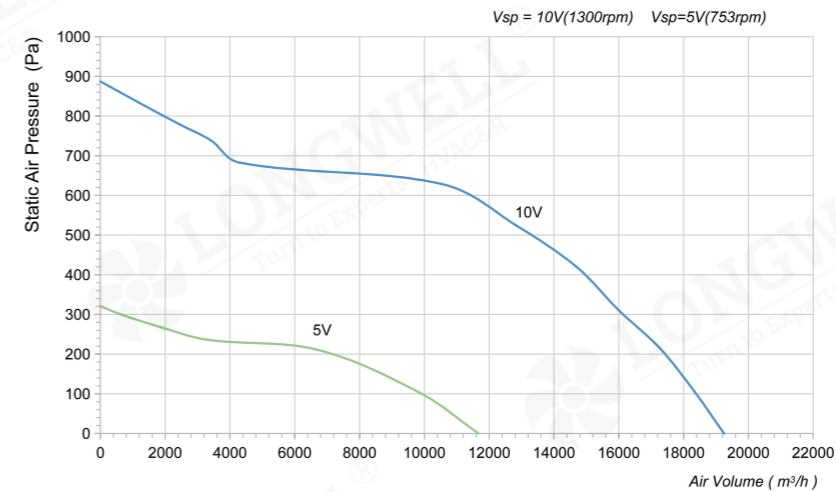


Technical Specifications

Model	Voltage (V)	Input Power (W)	Current (A)	Air Volume (m³/h)	Static Pressure (Pa)	Speed (RPM)	Noise [dB(A)]
LWBE3G560-218NT-13	400	5600	9.5	23896	1442	1800	/



LWBE-630 Serie



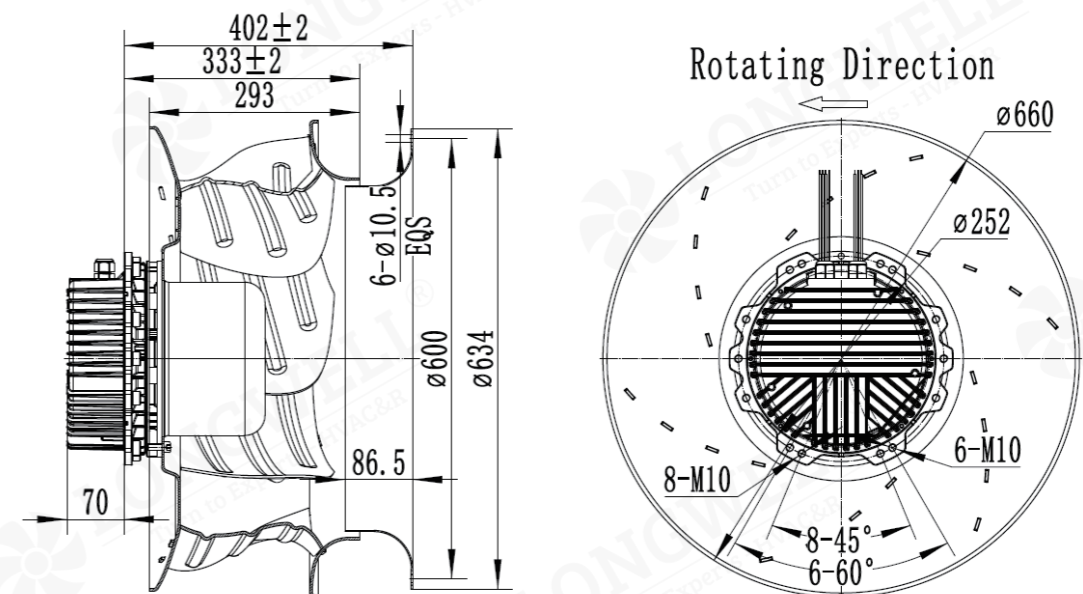
Product Characteristic

- Impeller Material: Aluminum Alloy
- Direction of Rotation: Clockwise, seen on rotor
- Protection Class: IP54
- Mounting Position: Horizontal or Vertical
- Bearing: Maintenance-free ball bearings
- Protection: Tach output, Locked-Rotor protection Reverse Polarity, Over-voltage protection, Soft Start
- Supply Voltage: 400V, 50/60Hz
- Mode of Operation: S1
- Insulation Class: F
- Operation Temperature: -25°C ~ +60°C
- Technical Features: Control input 0-10VDC/PWM

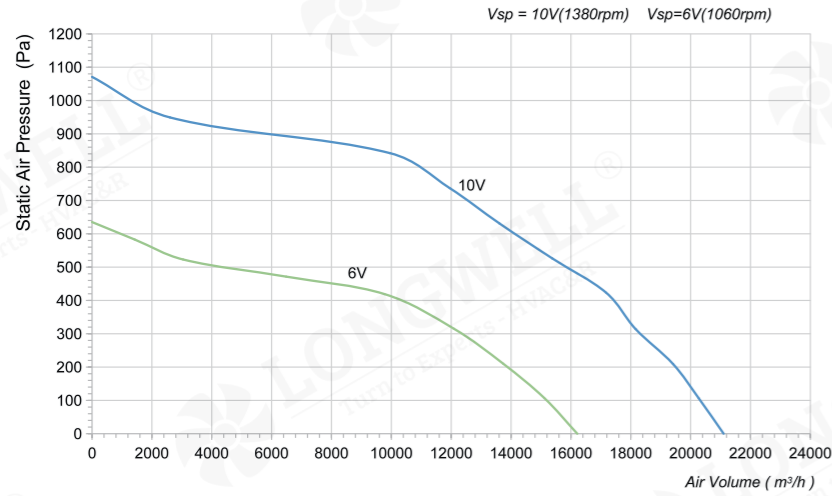


Technical Specifications

Model	Voltage (V)	Input Power (W)	Current (A)	Air Volume (m³/h)	Static Pressure (Pa)	Speed (RPM)	Noise [dB(A)]
LWBE3G630-188NT-06	400	2195	4.8	19247	887	1300	/



LWBE-630 Serie



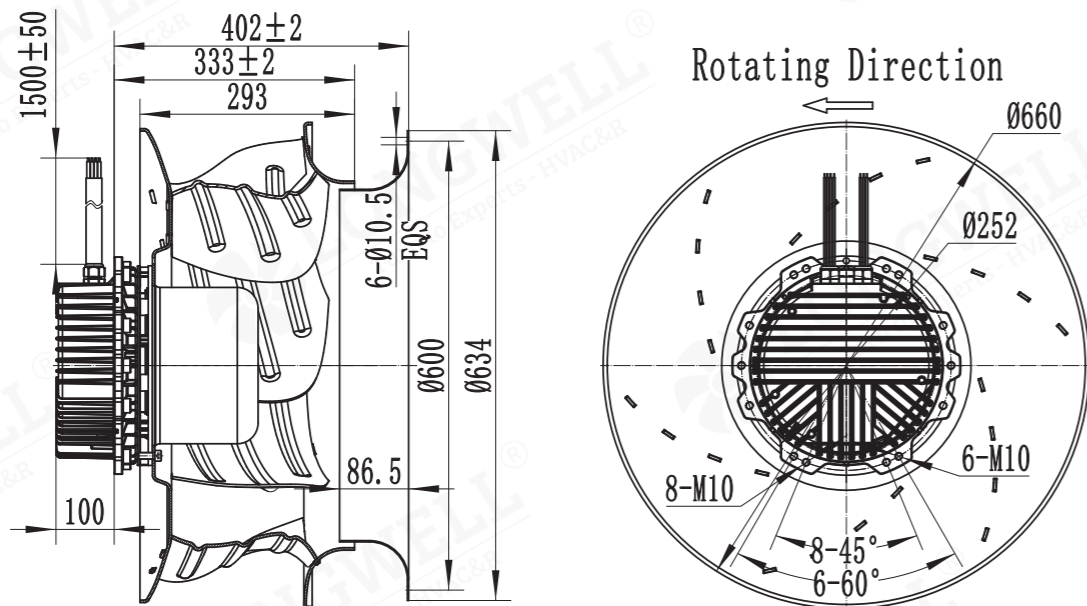
Product Characteristic

- Impeller Material: Aluminum Alloy
- Direction of Rotation: Clockwise, seen on rotor
- Protection Class: IP54
- Mounting Position: Horizontal or Vertical
- Bearing: Maintenance-free ball bearings
- Protection: Tach output, Locked-Rotor protection Reverse Polarity, Over-voltage protection, Soft Start
- Supply Voltage: 400V, 50/60Hz
- Mode of Operation: S1
- Insulation Class: F
- Operation Temperature: -25°C ~ +60°C
- Technical Features: Control input 0-10VDC/PWM

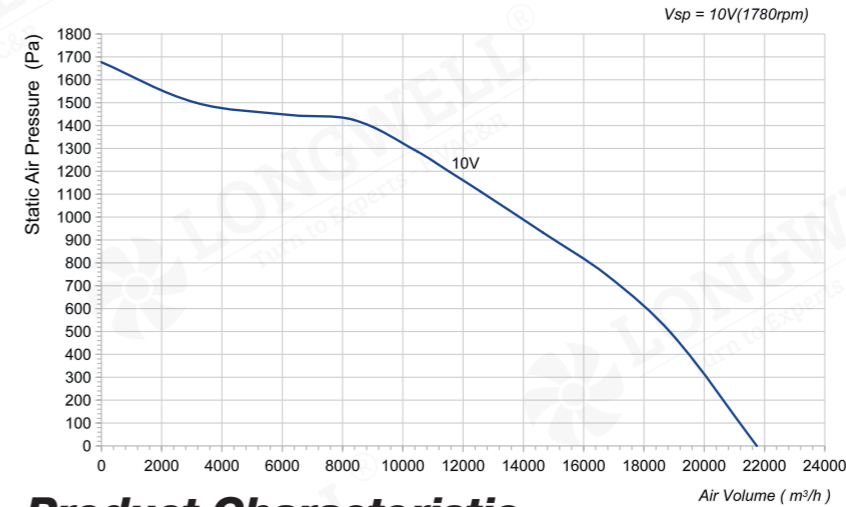


Technical Specifications

Model	Voltage (V)	Input Power (W)	Current (A)	Air Volume (m³/h)	Static Pressure (Pa)	Speed (RPM)	Noise [dB(A)]
LWBE3G630-188NT-07	400	2955	6.5	21100	1071	1380	/



LWBE-630 Serie



Product Characteristic

- Impeller Material: Aluminum Alloy
- Direction of Rotation: Clockwise, seen on rotor
- Protection Class: IP54
- Mounting Position: Horizontal or Vertical
- Bearing: Maintenance-free ball bearings
- Protection: Tach output, Locked-Rotor protection Reverse Polarity, Over-voltage protection, Soft Start
- Supply Voltage: 400V, 50/60Hz
- Mode of Operation: S1
- Insulation Class: F
- Operation Temperature: -25°C ~ +60°C
- Technical Features: Control input 0-10VDC/PWM



Technical Specifications

Model	Voltage (V)	Input Power (W)	Current (A)	Air Volume (m³/h)	Static Pressure (Pa)	Speed (RPM)	Noise [dB(A)]
LWBE3G630-188NT-09	400	5600	8.1	21742	1677	1780	/

