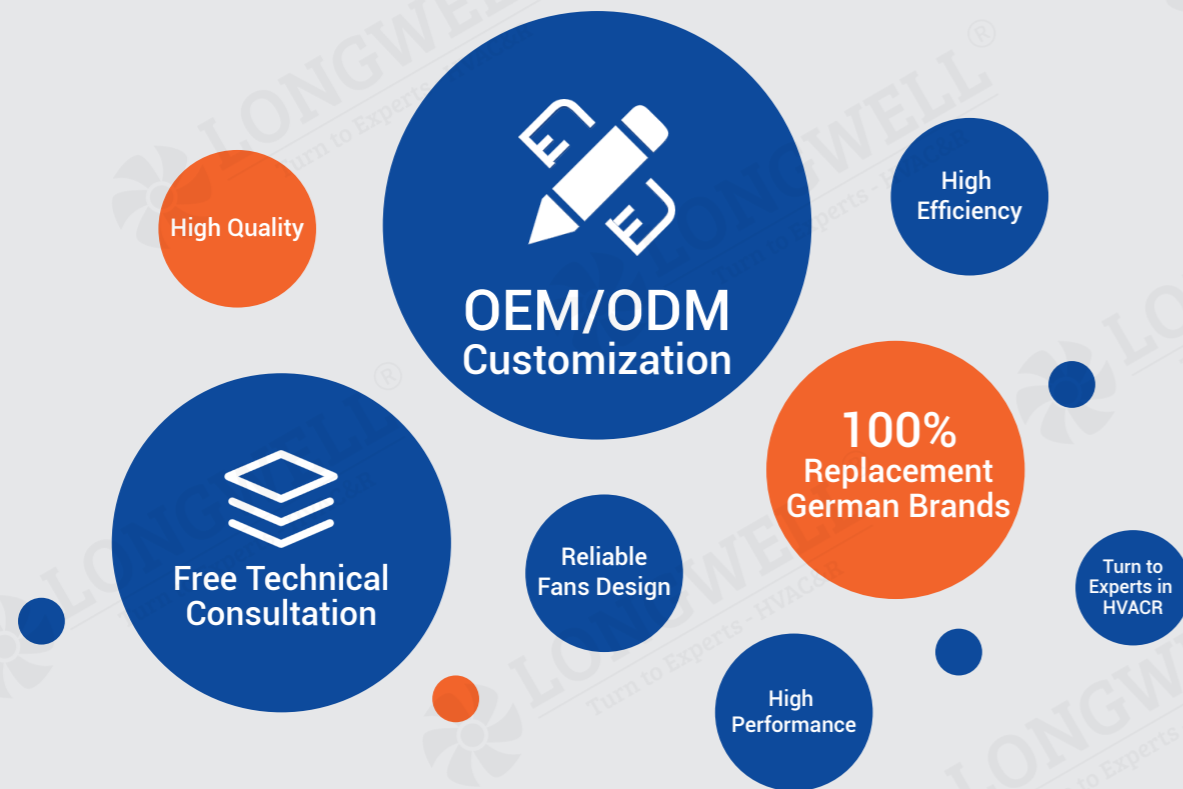


Delivery Premium Quality Fans Globally for Healthier Breathing

World's Largest Selection of Fan Products  
World's Most Comprehensive Fan Solutions



Ningbo Longwell Electric Technology Co., Ltd

Headquarter: NO.100, South of Xuxiang River, Yuyao, Zhejiang Province, China 315400

Tell: +86 574 6218 9863

Fax: +86 574 6218 9863

Phone: 0086 183 5827 4663

Web: [www.longwellfans.com](http://www.longwellfans.com) | [www.longwell-group.com](http://www.longwell-group.com) | [www.longwell-media.com](http://www.longwell-media.com)

Email: [sales@zjlongwell.com](mailto:sales@zjlongwell.com)



## LONGWELL TECHNOLOGY

"Born for High-Quality Breathing  
LONGWELL Fans Power Your Equipments"



Professional Manufacturer  
of HVACR Fan & Motors

— EC Backward curved Centrifugal Fan

Longwell Group

Longwell-China  
Longwell-USA  
Longwell-Russia  
Longwell-Europe



# About Longwell

Born for High-Quality Breathing, LONGWELL Fans Power Your Equipment

OEM for Well-Known Brands

Supplies Fortune 500 Companies

Global Technical Support

LONGWELL is a leading fan manufacturer, specializing in high-quality fans, blowers, motors, and components for heating, ventilation, air conditioning, and refrigeration applications. We have a strong presence in delivery capabilities, design and R&D capabilities, as well as manufacturing, placing us at the forefront of the industry.

Our product range includes EC/DC/AC centrifugal fans, axial fans, AC/BLDC cross-flow fans, single/double forward curved fans, AC/BLDC/ECM motors, and industrial fan blowers. Since our establishment in 1990, we have continuously upgraded our facilities and production capacity, boasting advanced testing labs and production facilities with an annual capacity of millions of fans. With over 20 years of experience, we are highly skilled in the design, development, and manufacture of fans and motors. We export to over 30 countries and serve numerous Fortune 500 clients.

Our facilities and products are compliant with certifications such as ISO9001, ISO14001, BSCI, CE, UL/ETL, CCC, EMC, and LVD. These certifications demonstrate our compliance in quality management, environmental management, social responsibility, and product safety. We are quality-oriented and dedicated to providing products and services that meet international standards.



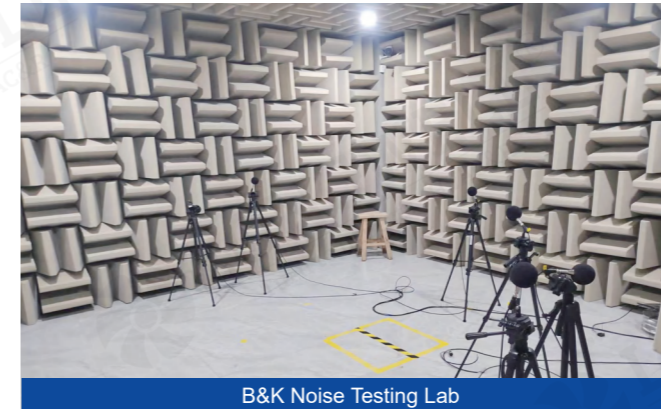
Equipped with advanced testing labs and production facilities, including a B&K noise lab, CFD simulation lab, air dynamics test chambers, automatic welding machines, CNC machining centers, and auto robot injection machines, we ensure efficient production and on-time delivery.

As industry leaders, we prioritize technological innovation and efficiency. We employ advanced technologies such as aerodynamics principles and CFD simulation to ensure precise and efficient fan designs. Additionally, we offer customized services to design and manufacture fan systems according to specific customer requirements. Our focus is on providing high-tech, high-efficiency products that meet our customers' needs and contribute to a better future.

At LONGWELL, innovation is at the core of our operations, driving continuous improvement. With our extensive experience and expertise, we can quickly customize solutions that meet customer needs. We emphasize technological sophistication, utilizing advanced technologies and high-performance materials to deliver products that are efficient, safe, and reliable. Our brand is widely recognized globally, and we are committed to promoting sustainable development and advancing the efficient fan industry.

LONGWELL looks forward to collaborating with you and providing high-quality customized fan and motor solutions. Please feel free to contact us as we work together to create a brighter future.

193 Staff	40000m <sup>2</sup> Floor Space	500 <sup>+</sup> Branding Clients	1Million <sup>+</sup> PCS Annual Outputs	6 Overseas offices on spot support	50 <sup>+</sup> Members R&D Team
--------------	------------------------------------	--------------------------------------	---	---------------------------------------	-------------------------------------



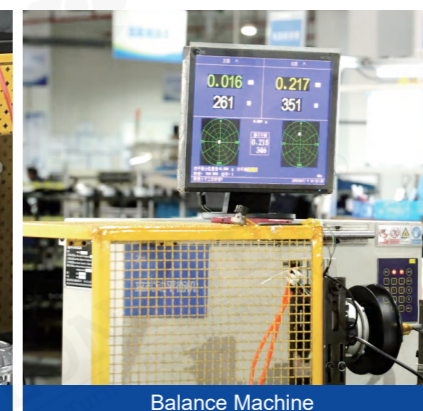
B&K Noise Testing Lab



Production Line



Automatic Welding



Balance Machine



Automatic Welding Machine



Production Line - Centrifugal Fan



Automatic CNC machine



Air Dynamic Test Lab



Production Line - Axial Fans



Production Line

# Testing and Standards

- ISO GB/T 19001-2016 idt ISO 9001:2015/GB/T 24001-2016 idt ISO 14001:2015/GB/T 45001-2020 idt ISO 45001:2018
- UL 507:2017 Ed.10+R:27/CSA C22.2#113:2018 Ed.11
- BSCI ANSI C63.4:2014/ANSI C63.4a-2017
- EN IEC 55014-1:2021/EN IEC 55014-2:2021/EN IEC 61000-3-2:2019 +A1:2021  
EN 61000-3-3:2013 +A1:2019 +A2:2021 +AC:2022-01  
EN 60335-2-80:2003 +A1:2004 +A2:2009;  
EN 60335-1:2012 +A11:2014 +A13:2017 +A1:2019+A14:2019 +A2:2019+A15:2021  
EN 62321-1:2013/EN 62321-2:2014/EN 62321-3-1:2014  
EN 62321-4:2014+A1:2017/EN 62321-5:2014/EN 62321-6:2015  
EN 62321-7-1:2015/EN 62321-7-2:2017/EN 62321-8:2017



Enterprise Credit Evaluation Certificate - Highest Level in China



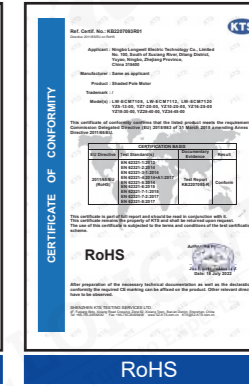
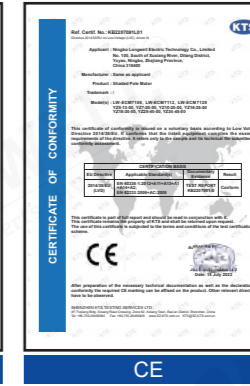
Own-Brand

Own-Brand

ETL

ETL

CE



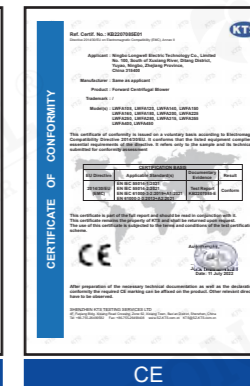
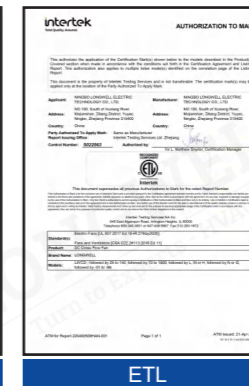
RoHS

CE

CE

CE

RoHS



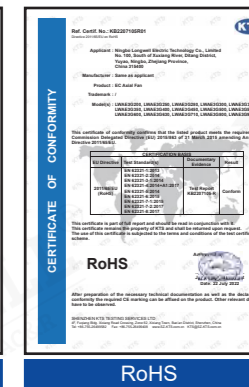
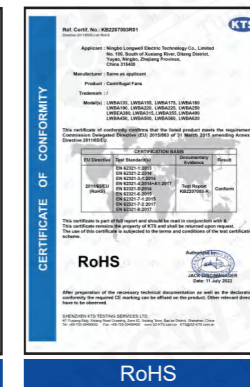
ETL

ETL

ETL

CE

CE



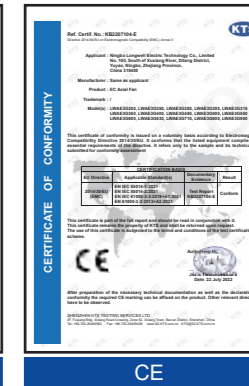
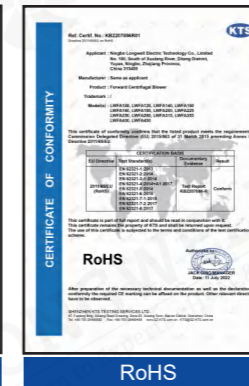
ISO 9001

ISO 9001

RoHS

RoHS

RoHS



RoHS

RoHS

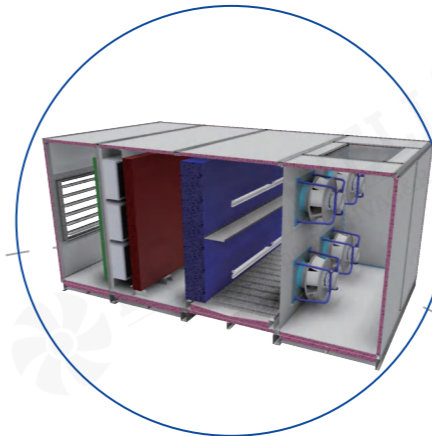
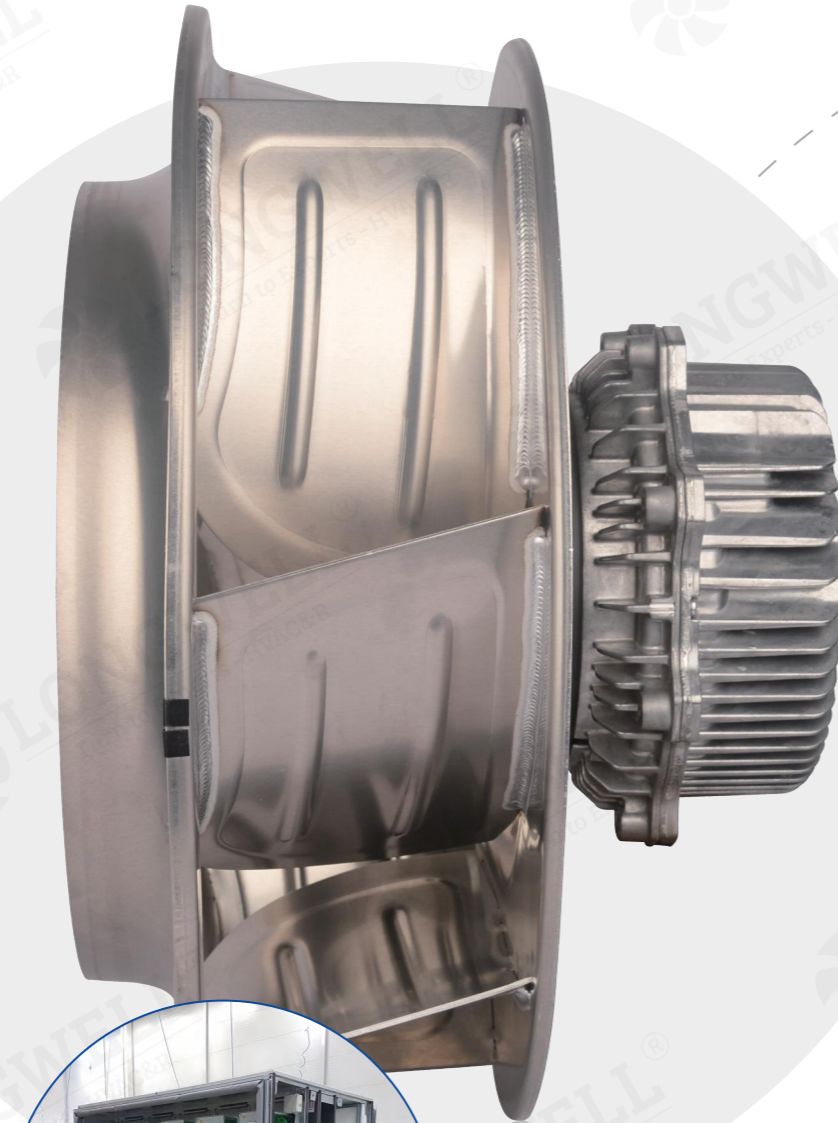
CE

CE

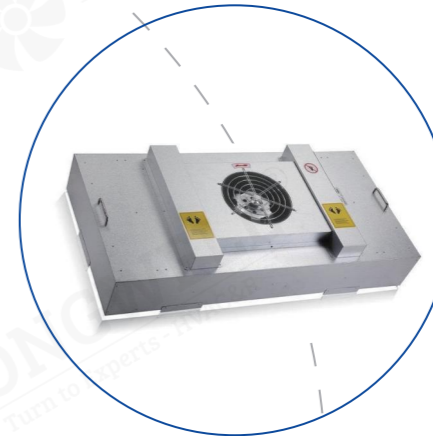
CE

# Mainly Application

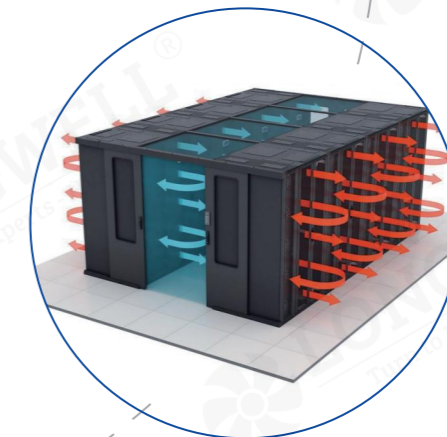
AHU/FCU/FFU/Air Purifier/ Sterilization Equipments/  
Humidiifier equipments/EC Fan Grid ( Wall )



**Ventilation Unit Project**



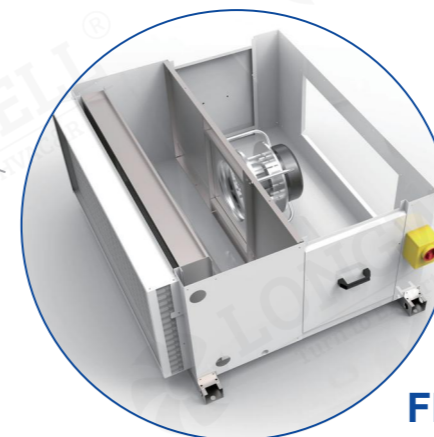
**FFU(Fan Filter Unit) Project**



**Data Center Cooling Project**



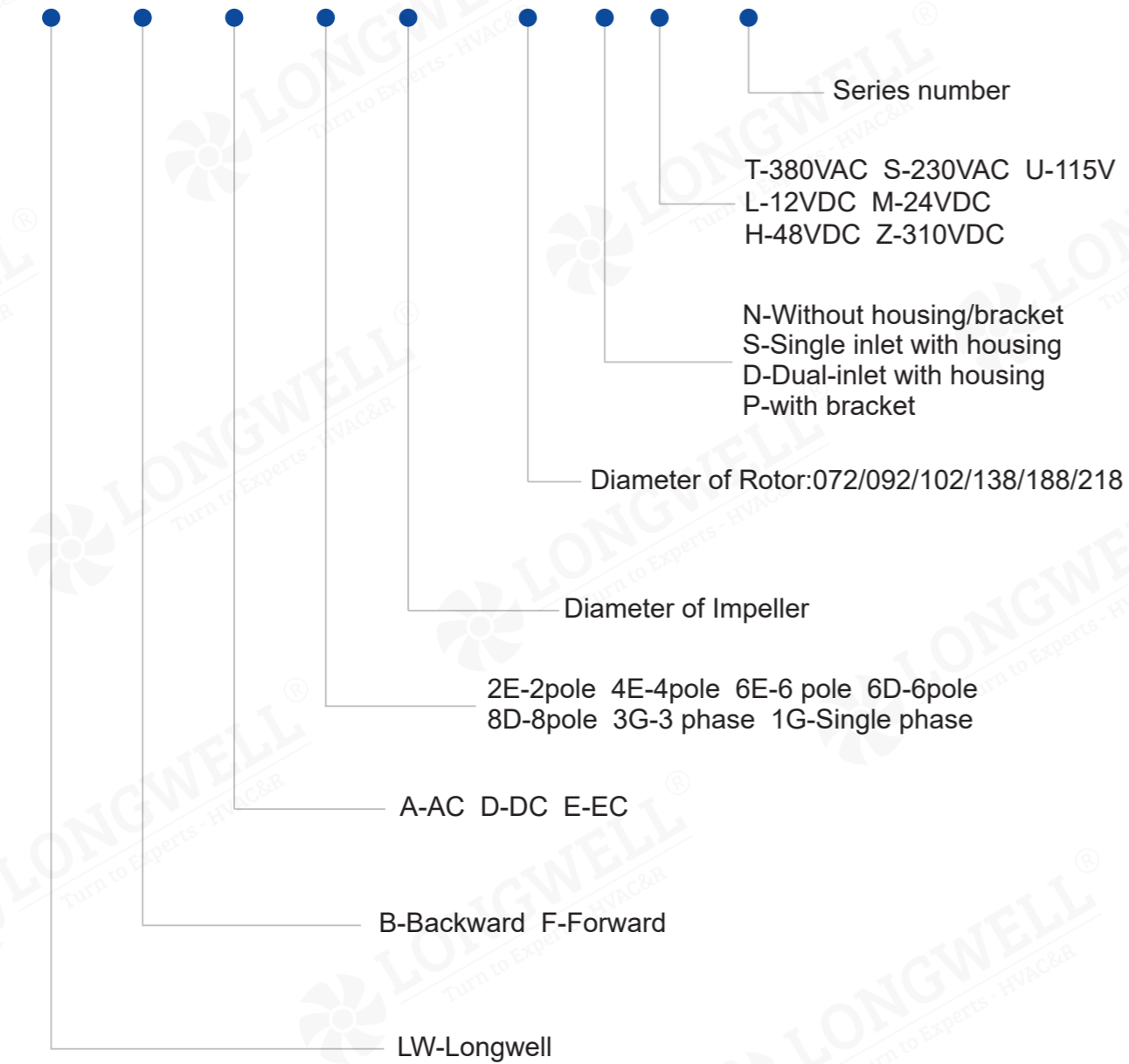
**Ventilation Equipments Project**



**FFU(Fan Filter Unit) Project**

## Type Code

LW B E 3G 133 - 072 N S - 01

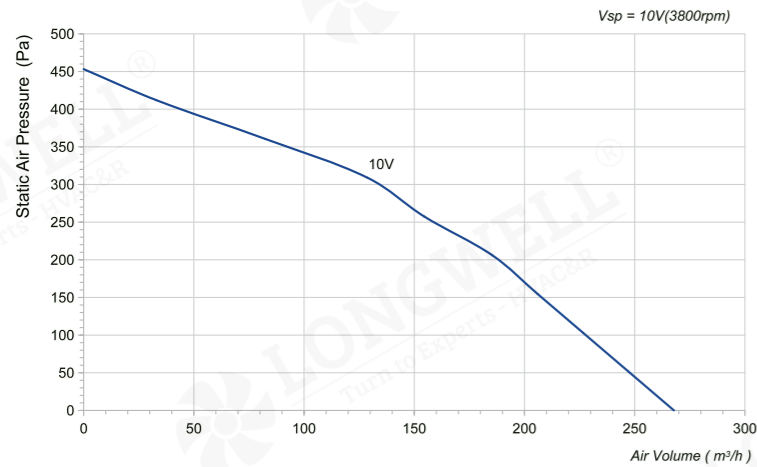


## EC Backward curved Centrifugal Fan

Professional HVAC Fan & Motors Manufacturer



# LWBE-133 Serie



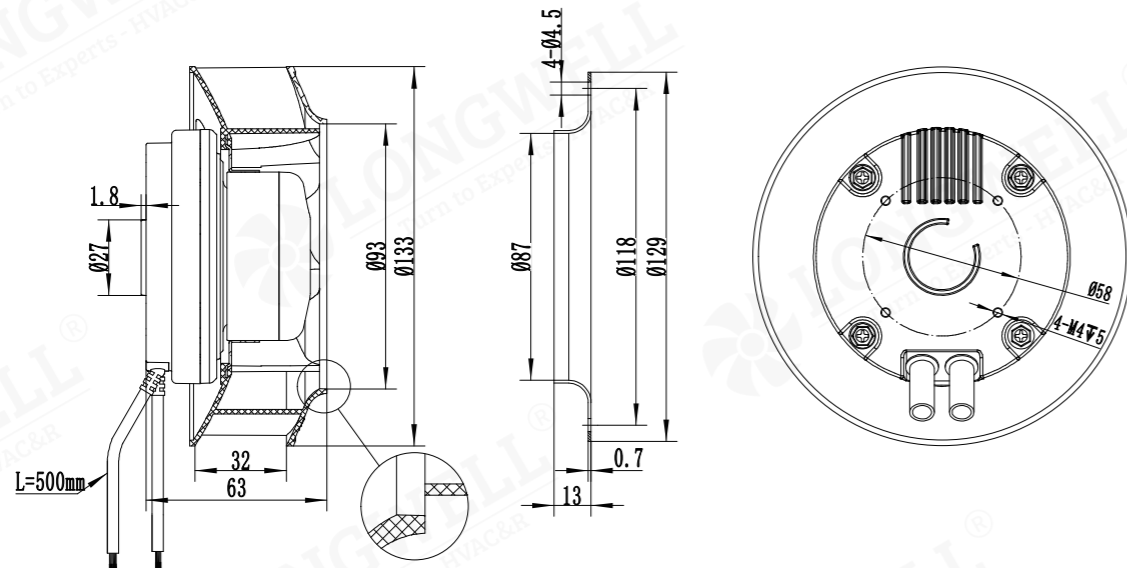
## Product Characteristic

- Impeller Material: PA6+GF
- Direction of Rotation: Clockwise, seen on rotor
- Protection Class: IP55
- Mounting Position: Horizontal or Vertical
- Bearing: Maintenance-free ball bearings
- Protection: Tach output, Locked-Rotor protection Reverse Polarity, Over-voltage protection, Soft Start
- Supply Voltage: 230V, 50/60Hz
- Mode of Operation: S1
- Insulation Class: F
- Operation Temperature: -25°C ~ +60°C
- Technical Features: Control input 0-10VDC/PWM

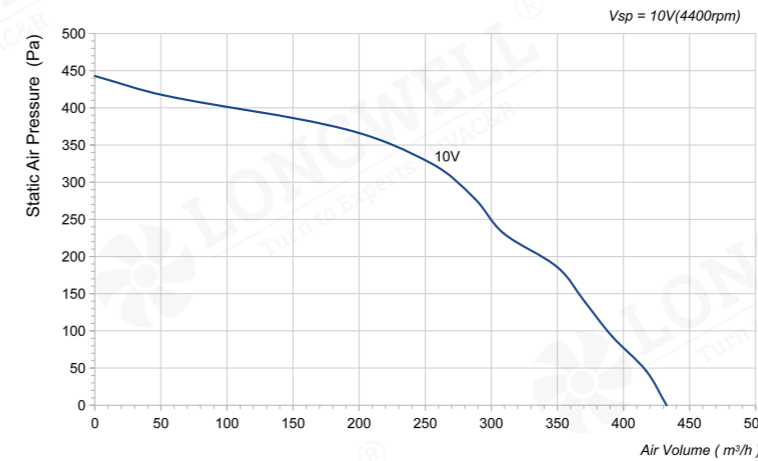


## Technical Specifications

Model	Voltage (V)	Input Power (W)	Current (A)	Air Volume (m³/h)	Static Pressure (Pa)	Speed (RPM)	Noise [dB(A)]
LWBE3G133-072NS-07	230	30	0.23	268	453	3800	63
LWBE3G133-072NU-09	115	30	0.5	268	453	3800	63



# LWBE-133 Serie



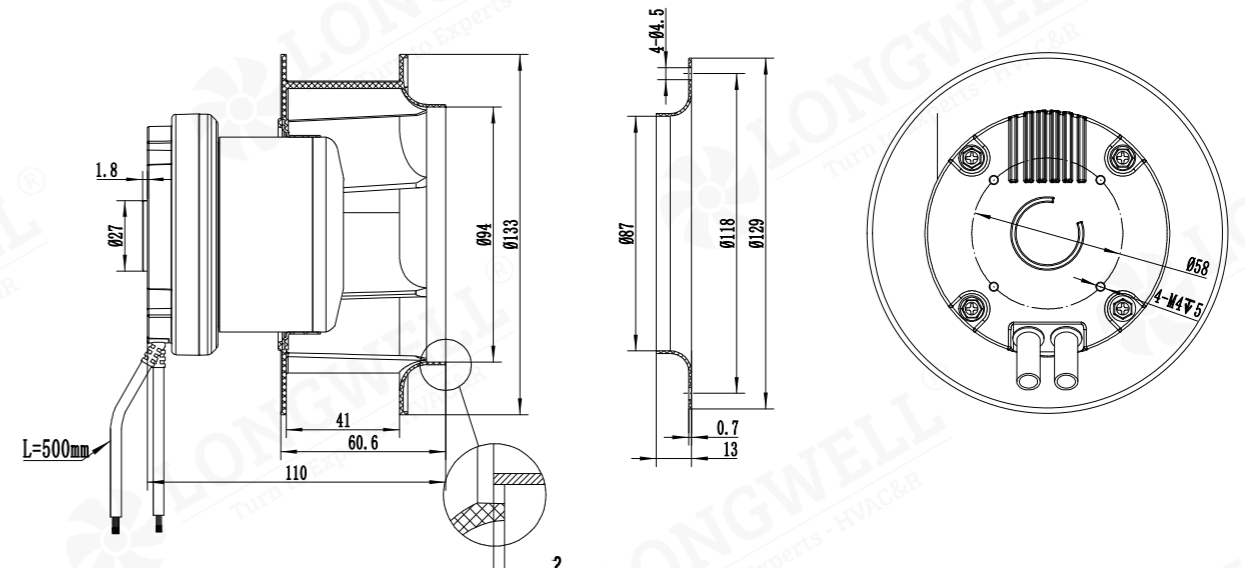
## Product Characteristic

- Impeller Material: PA6+GF
- Direction of Rotation: Clockwise, seen on rotor
- Protection Class: IP55
- Mounting Position: Horizontal or Vertical
- Bearing: Maintenance-free ball bearings
- Protection: Tach output, Locked-Rotor protection Reverse Polarity, Over-voltage protection, Soft Start
- Supply Voltage: 230V, 50/60Hz
- Mode of Operation: S1
- Insulation Class: F
- Operation Temperature: -25°C ~ +60°C
- Technical Features: Control input 0-10VDC/PWM

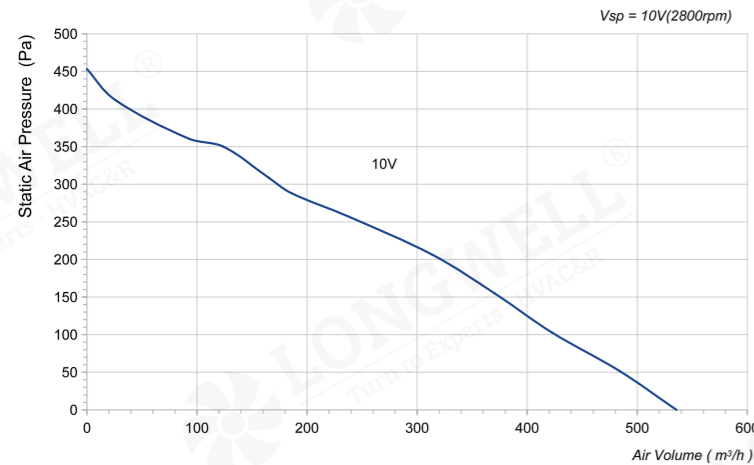


## Technical Specifications

Model	Voltage (V)	Input Power (W)	Current (A)	Air Volume (m³/h)	Static Pressure (Pa)	Speed (RPM)	Noise [dB(A)]
LWBE3G133-072NS-08	230	53	0.38	433	433	4400	70
LWBE3G133-072NU-10	115	53	0.76	433	433	4400	70



# LWBE-175 Serie



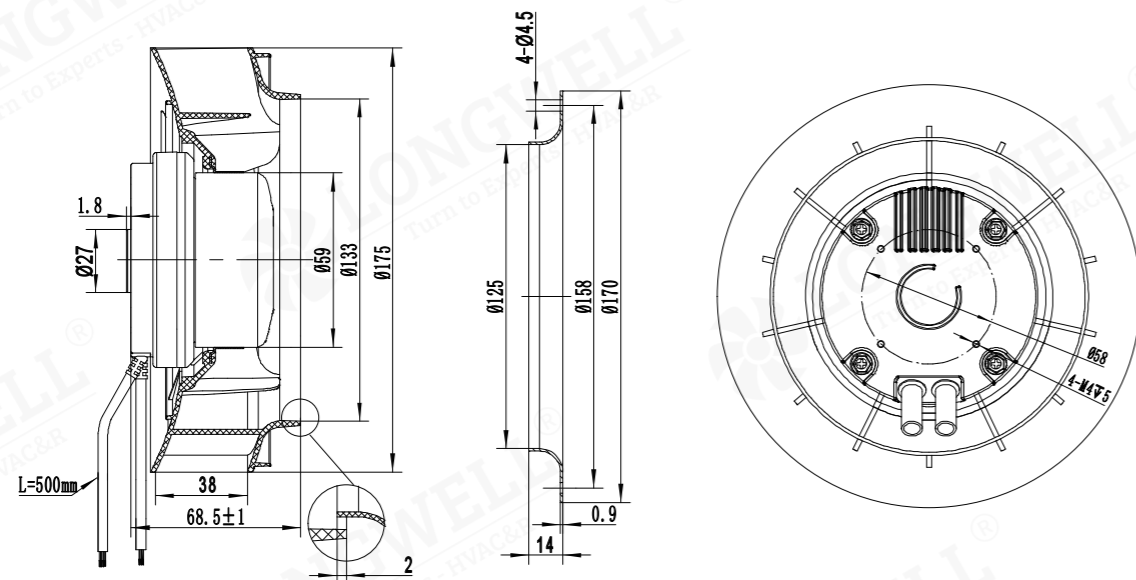
## Product Characteristic

- Impeller Material: PA6+GF
- Direction of Rotation: Clockwise, seen on rotor
- Protection Class: IP55
- Mounting Position: Horizontal or Vertical
- Bearing: Maintenance-free ball bearings
- Protection: Tach output, Locked-Rotor protection Reverse Polarity, Over-voltage protection, Soft Start
- Supply Voltage: 230V, 50/60Hz
- Mode of Operation: S1
- Insulation Class: F
- Operation Temperature: -25°C ~ +60°C
- Technical Features: Control input 0-10VDC/PWM

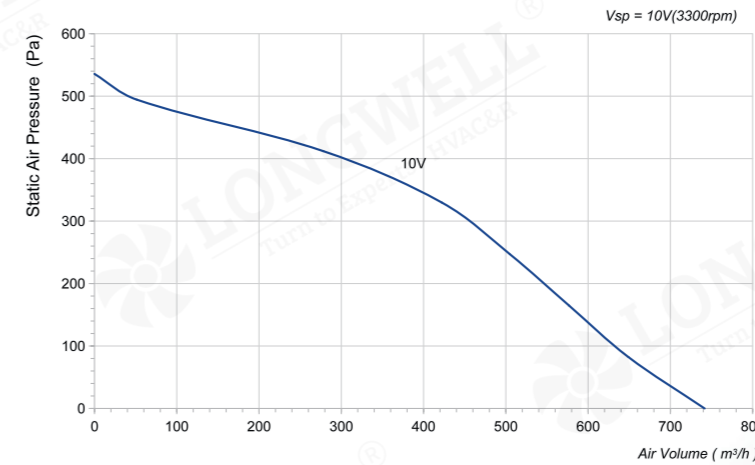


## Technical Specifications

Model	Voltage (V)	Input Power (W)	Current (A)	Air Volume (m³/h)	Static Pressure (Pa)	Speed (RPM)	Noise [dB(A)]
LWBE3G175-072NS-06	230	55	0.4	536	453	2800	65
LWBE3G175-072NU-16	115	55	0.8	536	453	2800	65



# LWBE-175 Serie



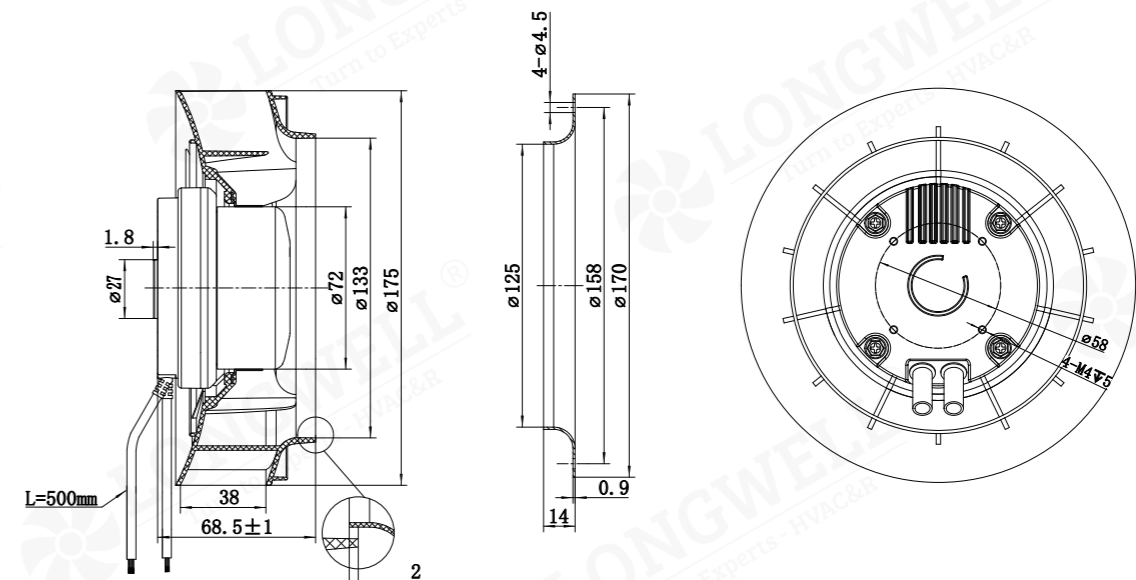
## Product Characteristic

- Impeller Material: PA6+GF
- Direction of Rotation: Clockwise, seen on rotor
- Protection Class: IP55
- Mounting Position: Horizontal or Vertical
- Bearing: Maintenance-free ball bearings
- Protection: Tach output, Locked-Rotor protection Reverse Polarity, Over-voltage protection, Soft Start
- Supply Voltage: 230V, 50/60Hz
- Mode of Operation: S1
- Insulation Class: F
- Operation Temperature: -25°C ~ +60°C
- Technical Features: Control input 0-10VDC/PWM

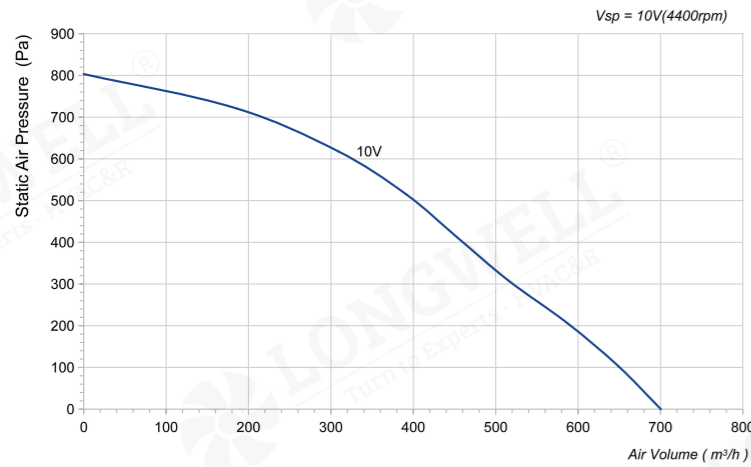


## Technical Specifications

Model	Voltage (V)	Input Power (W)	Current (A)	Air Volume (m³/h)	Static Pressure (Pa)	Speed (RPM)	Noise [dB(A)]
LWBE3G175-072NS-03	230	85	0.65	742	536	3300	72
LWBE3G175-072NU-17	115	85	1.2	742	536	3300	72



# LWBE-175 Serie



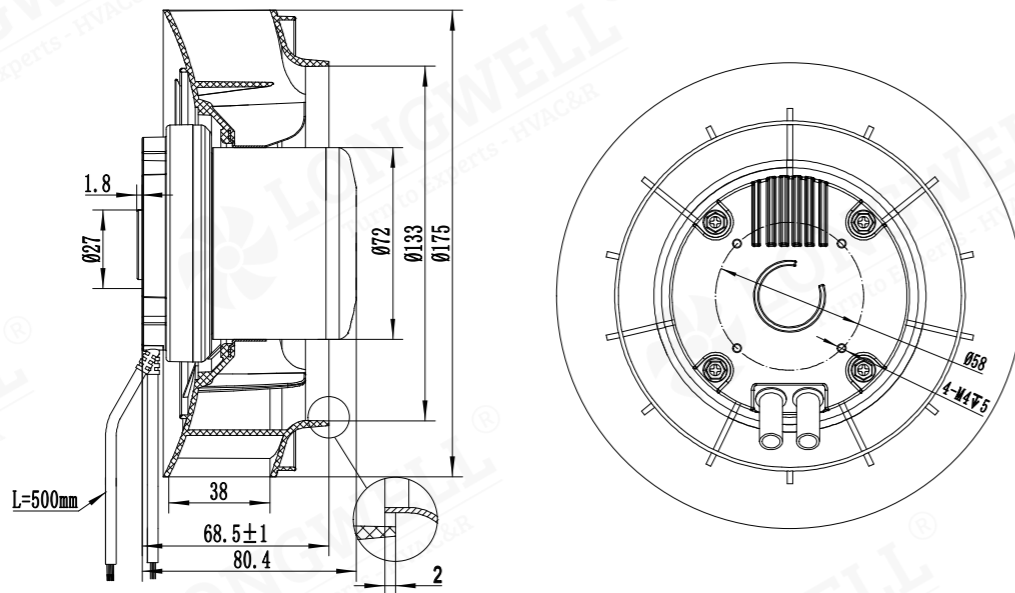
## Product Characteristic

- Impeller Material: PA6+GF
- Direction of Rotation: Clockwise, seen on rotor
- Protection Class: IP55
- Mounting Position: Horizontal or Vertical
- Bearing: Maintenance-free ball bearings
- Protection: Tach output, Locked-Rotor protection Reverse Polarity, Over-voltage protection, Soft Start
- Supply Voltage: 230V, 50/60Hz
- Mode of Operation: S1
- Insulation Class: F
- Operation Temperature: -25°C ~ +60°C
- Technical Features: Control input 0-10VDC/PWM

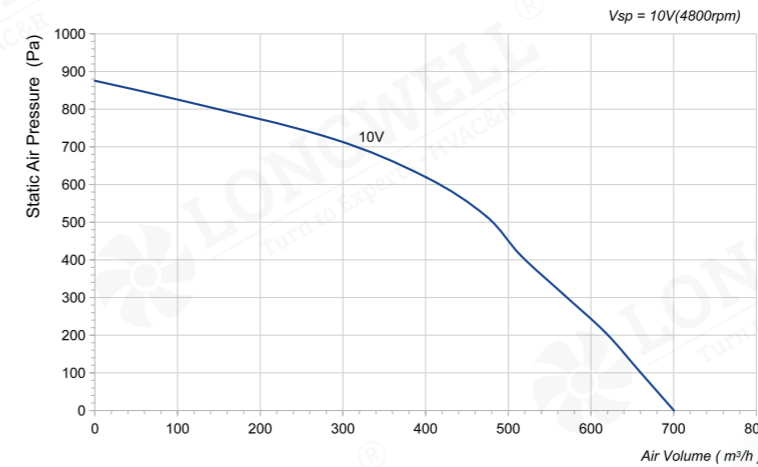


## Technical Specifications

Model	Voltage (V)	Input Power (W)	Current (A)	Air Volume (m³/h)	Static Pressure (Pa)	Speed (RPM)	Noise [dB(A)]
LWBE3G175-072NS-08	230	115	0.9	700	803	4400	74
LWBE3G175-072NU-18	115	115	1.8	700	803	4400	74



# LWBE-175 Serie



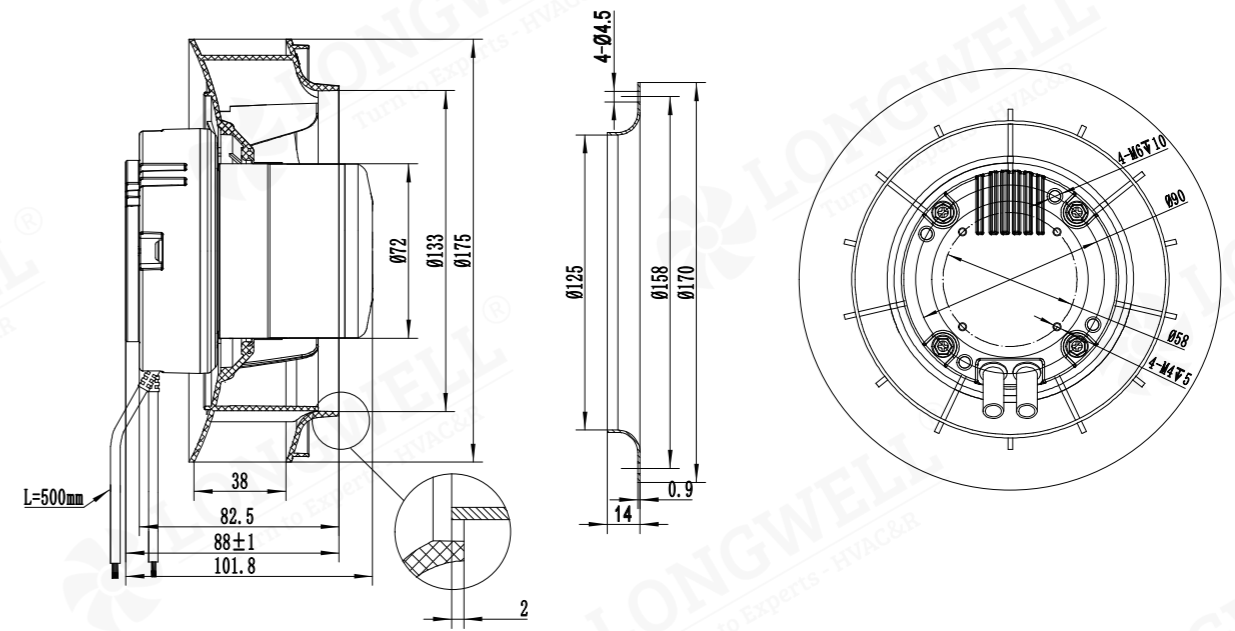
## Product Characteristic

- Impeller Material: PA6+GF
- Direction of Rotation: Clockwise, seen on rotor
- Protection Class: IP55
- Mounting Position: Horizontal or Vertical
- Bearing: Maintenance-free ball bearings
- Protection: Tach output, Locked-Rotor protection Reverse Polarity, Over-voltage protection, Soft Start
- Supply Voltage: 230V, 50/60Hz
- Mode of Operation: S1
- Insulation Class: F
- Operation Temperature: -25°C ~ +60°C
- Technical Features: Control input 0-10VDC/PWM

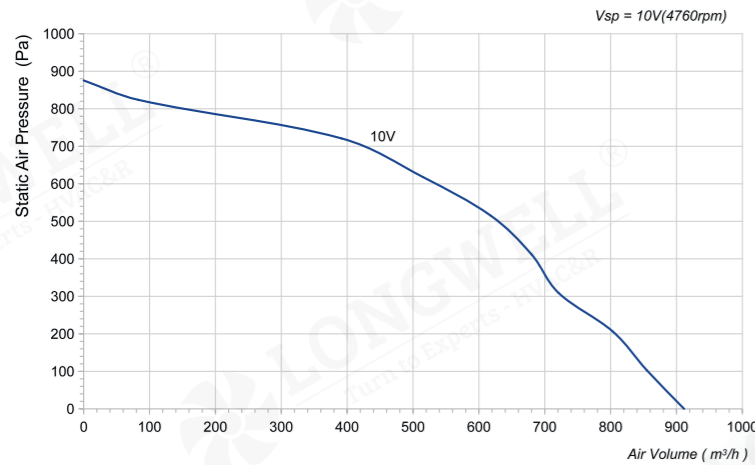


## Technical Specifications

Model	Voltage (V)	Input Power (W)	Current (A)	Air Volume (m³/h)	Static Pressure (Pa)	Speed (RPM)	Noise [dB(A)]
LWBE3G175-072NS-09	230	155	1.09	700	876	4800	75



# LWBE-175 Serie



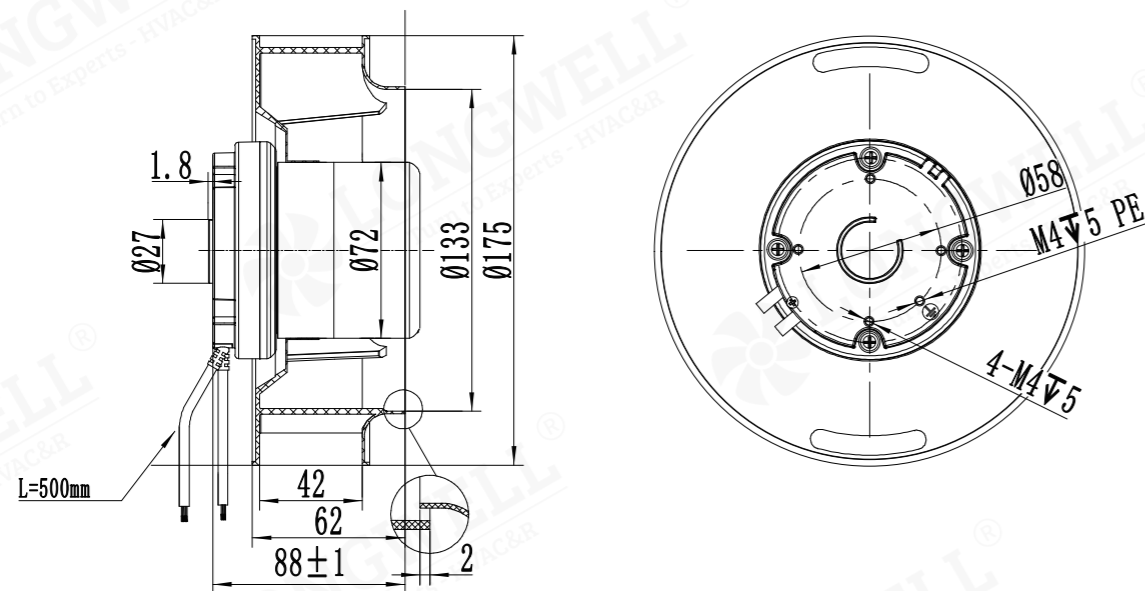
## Product Characteristic

- Impeller Material: PA6+GF
- Direction of Rotation: Clockwise, seen on rotor
- Protection Class: IP55
- Mounting Position: Horizontal or Vertical
- Bearing: Maintenance-free ball bearings
- Protection: Tach output, Locked-Rotor protection Reverse Polarity, Over-voltage protection, Soft Start
- Supply Voltage: 230V, 50/60Hz
- Mode of Operation: S1
- Insulation Class: F
- Operation Temperature: -25°C ~ +60°C
- Technical Features: Control input 0-10VDC/PWM

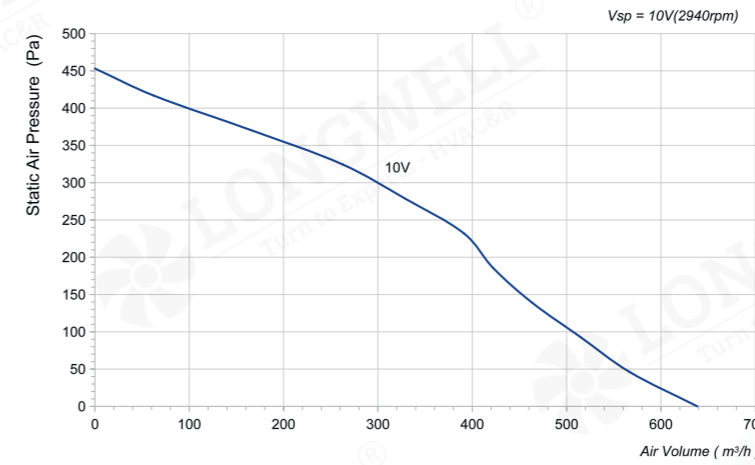


## Technical Specifications

Model	Voltage (V)	Input Power (W)	Current (A)	Air Volume (m³/h)	Static Pressure (Pa)	Speed (RPM)	Noise [dB(A)]
LWBE3G175-072NS-07	230	170	1.2	912	876	4760	71
LWBE3G175-072NU-19	115	170	2.4	912	876	4760	71



# LWBE-190 Serie



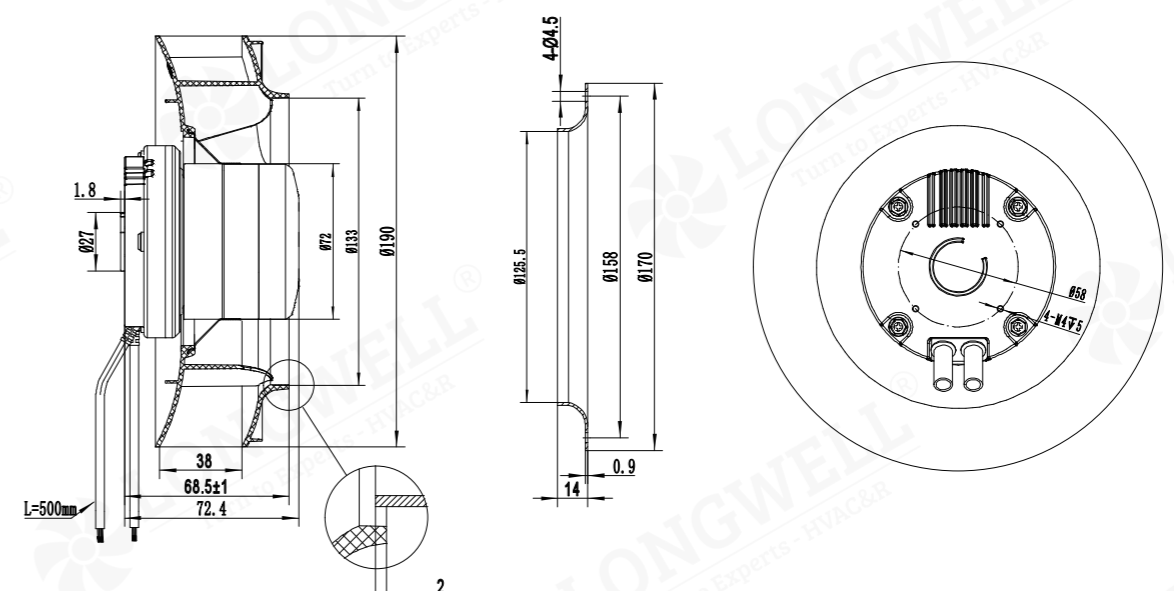
## Product Characteristic

- Impeller Material: PA6+GF
- Direction of Rotation: Clockwise, seen on rotor
- Protection Class: IP55
- Mounting Position: Horizontal or Vertical
- Bearing: Maintenance-free ball bearings
- Protection: Tach output, Locked-Rotor protection Reverse Polarity, Over-voltage protection, Soft Start
- Supply Voltage: 230V, 50/60Hz
- Mode of Operation: S1
- Insulation Class: F
- Operation Temperature: -25°C ~ +60°C
- Technical Features: Control input 0-10VDC/PWM

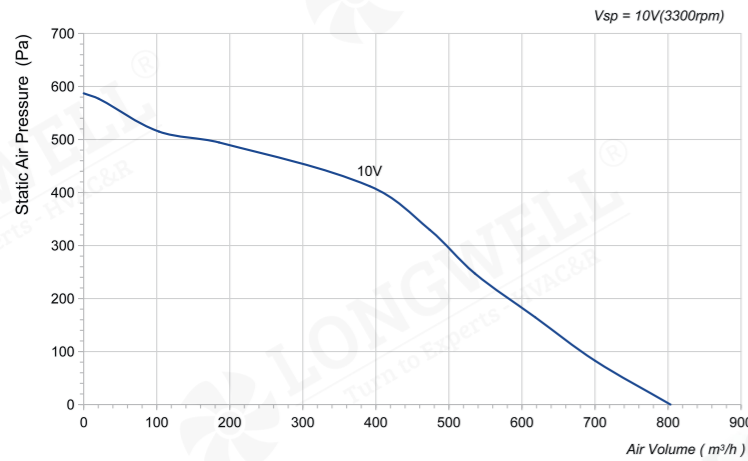


## Technical Specifications

Model	Voltage (V)	Input Power (W)	Current (A)	Air Volume (m³/h)	Static Pressure (Pa)	Speed (RPM)	Noise [dB(A)]
LWBE3G190-072NS-14	230	64	0.53	639	453	2940	65
LWBE3G190-072NU-18	115	64	1.1	639	453	2940	65



# LWBE-190 Serie



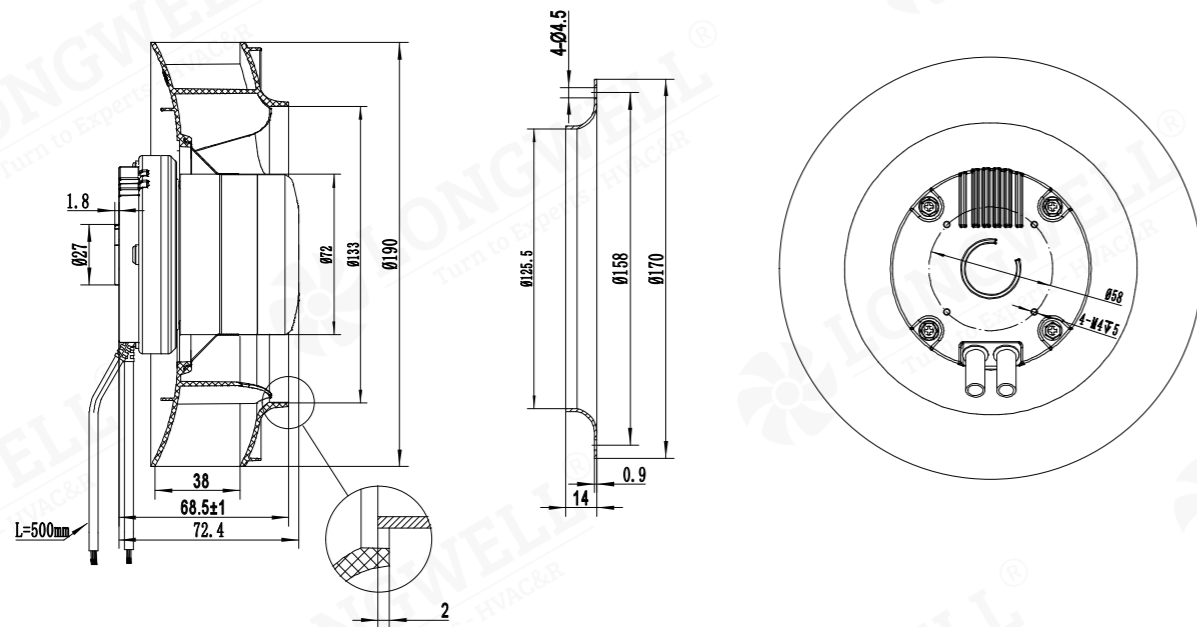
## Product Characteristic

- Impeller Material: PA6+GF
- Direction of Rotation: Clockwise, seen on rotor
- Protection Class: IP55
- Mounting Position: Horizontal or Vertical
- Bearing: Maintenance-free ball bearings
- Protection: Tach output, Locked-Rotor protection Reverse Polarity, Over-voltage protection, Soft Start
- Supply Voltage: 230V, 50/60Hz
- Mode of Operation: S1
- Insulation Class: F
- Operation Temperature: -25°C ~ +60°C
- Technical Features: Control input 0-10VDC/PWM

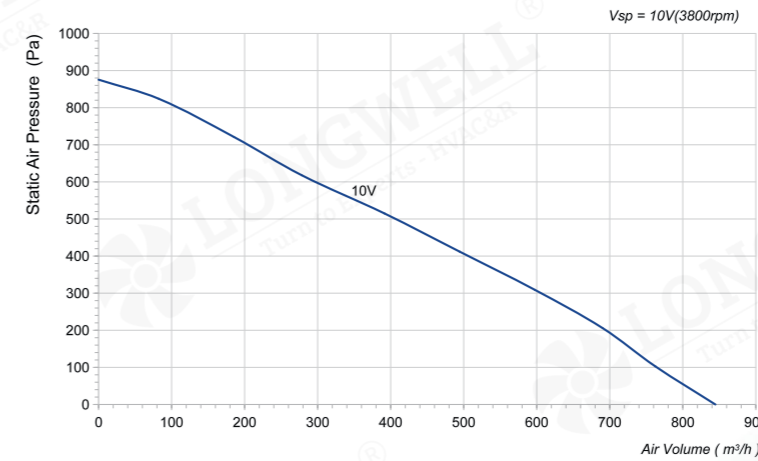


## Technical Specifications

Model	Voltage (V)	Input Power (W)	Current (A)	Air Volume (m³/h)	Static Pressure (Pa)	Speed (RPM)	Noise [dB(A)]
LWBE3G190-072NS-13	230	87	0.65	814	587	3300	70



# LWBE-190 Serie



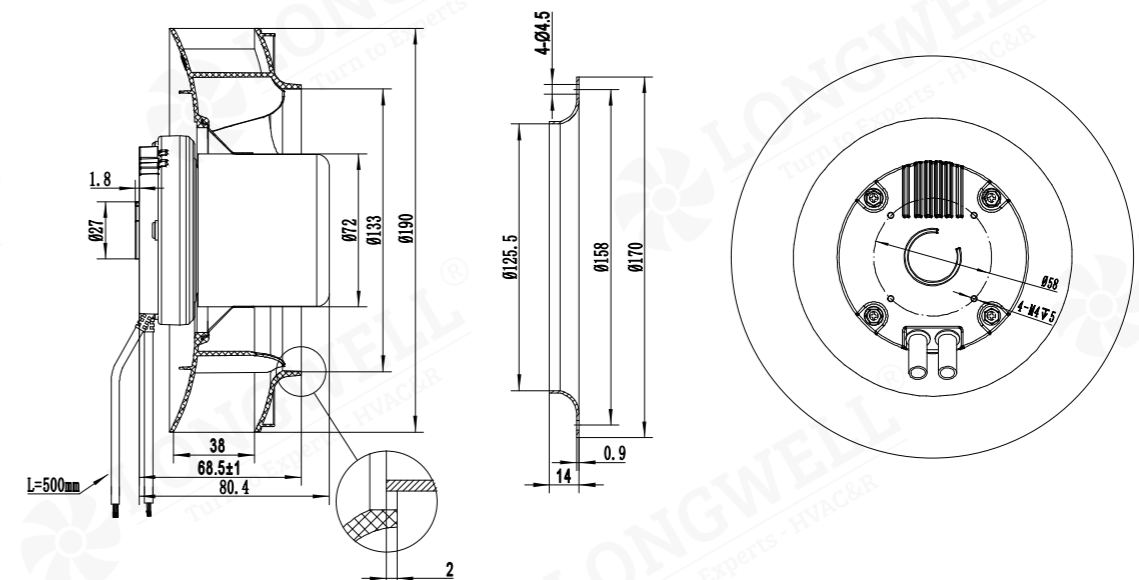
## Product Characteristic

- Impeller Material: PA6+GF
- Direction of Rotation: Clockwise, seen on rotor
- Protection Class: IP55
- Mounting Position: Horizontal or Vertical
- Bearing: Maintenance-free ball bearings
- Protection: Tach output, Locked-Rotor protection Reverse Polarity, Over-voltage protection, Soft Start
- Supply Voltage: 230V, 50/60Hz
- Mode of Operation: S1
- Insulation Class: F
- Operation Temperature: -25°C ~ +60°C
- Technical Features: Control input 0-10VDC/PWM

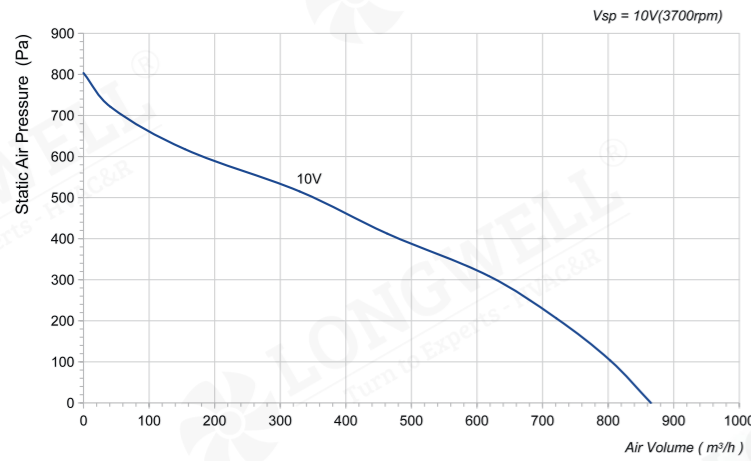


## Technical Specifications

Model	Voltage (V)	Input Power (W)	Current (A)	Air Volume (m³/h)	Static Pressure (Pa)	Speed (RPM)	Noise [dB(A)]
LWBE3G190-072NS-12	230	115	0.9	855	876	3800	71
LWBE3G190-072NU-19	115	115	1.8	855	876	3800	71



# LWBE-190 Serie



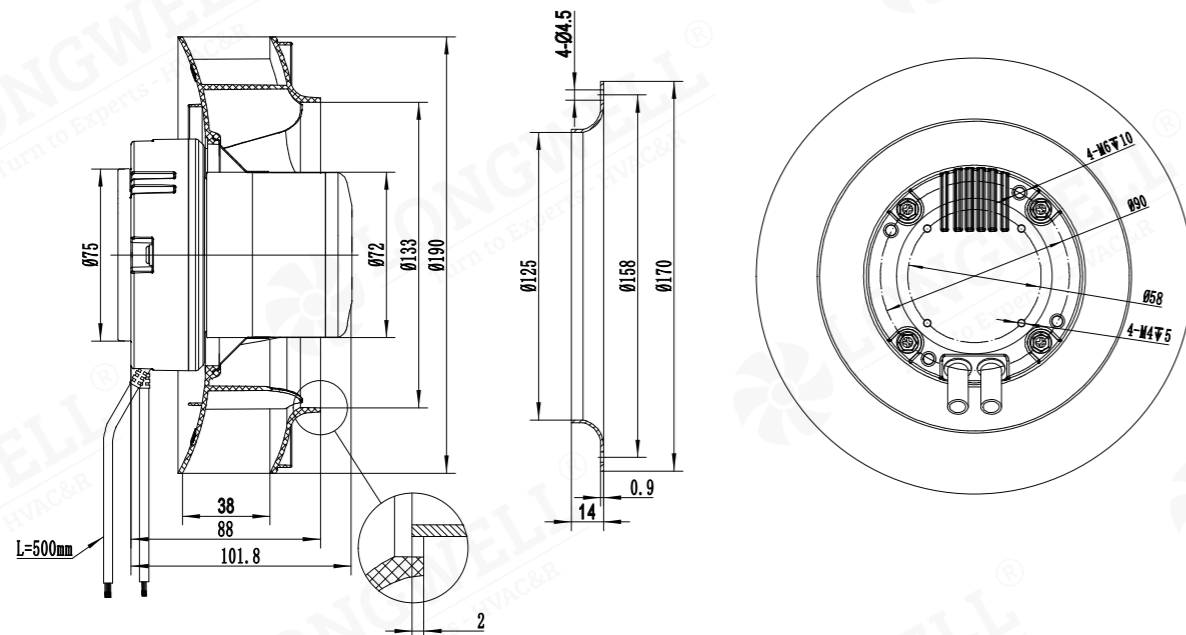
## Product Characteristic

- Impeller Material: PA6+GF
- Direction of Rotation: Clockwise, seen on rotor
- Protection Class: IP55
- Mounting Position: Horizontal or Vertical
- Bearing: Maintenance-free ball bearings
- Protection: Tach output, Locked-Rotor protection Reverse Polarity, Over-voltage protection, Soft Start
- Supply Voltage: 230V, 50/60Hz
- Mode of Operation: S1
- Insulation Class: F
- Operation Temperature: -25°C ~ +60°C
- Technical Features: Control input 0-10VDC/PWM

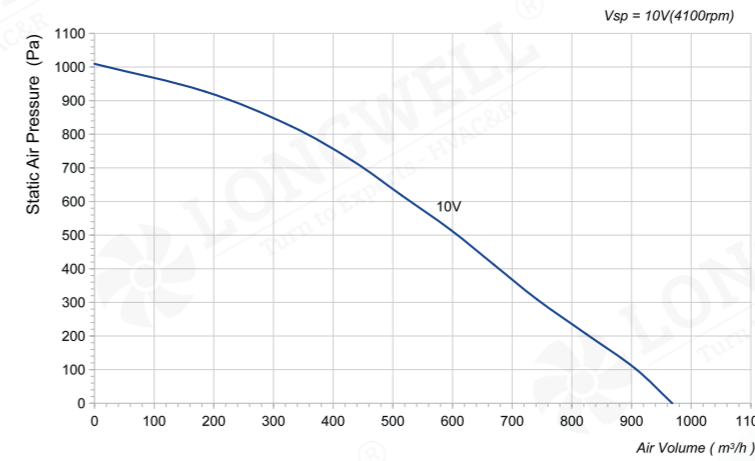


## Technical Specifications

Model	Voltage (V)	Input Power (W)	Current (A)	Air Volume (m³/h)	Static Pressure (Pa)	Speed (RPM)	Noise [dB(A)]
LWBE3G190-072NS-15	230	135	1.05	855	803	3700	70



# LWBE-190 Serie



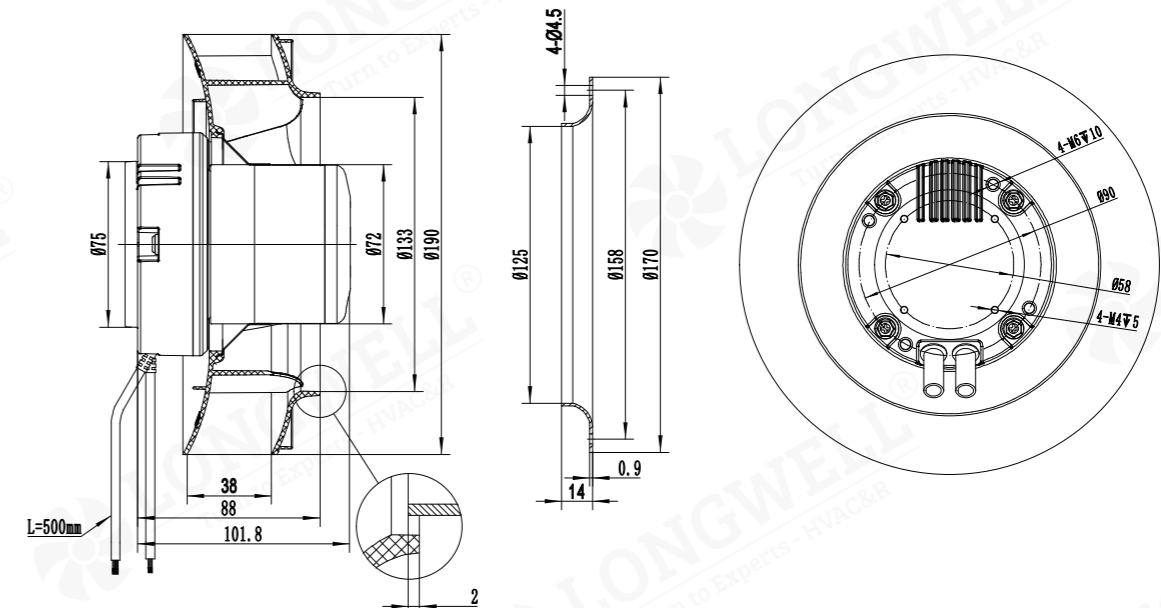
## Product Characteristic

- Impeller Material: PA6+GF
- Direction of Rotation: Clockwise, seen on rotor
- Protection Class: IP55
- Mounting Position: Horizontal or Vertical
- Bearing: Maintenance-free ball bearings
- Protection: Tach output, Locked-Rotor protection Reverse Polarity, Over-voltage protection, Soft Start
- Supply Voltage: 230V, 50/60Hz
- Mode of Operation: S1
- Insulation Class: F
- Operation Temperature: -25°C ~ +60°C
- Technical Features: Control input 0-10VDC/PWM

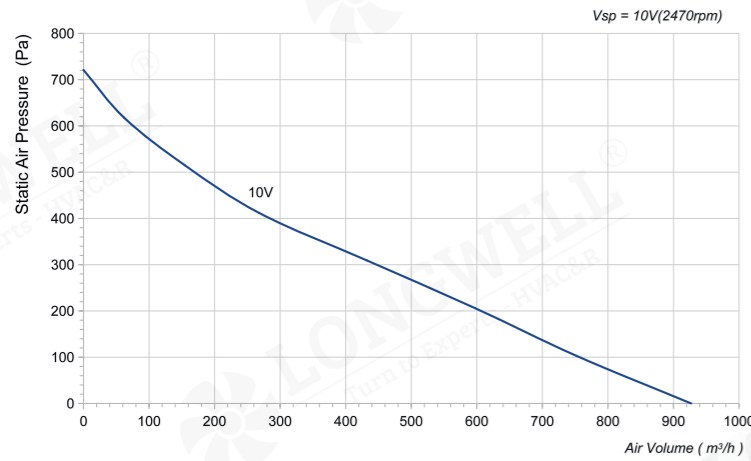


## Technical Specifications

Model	Voltage (V)	Input Power (W)	Current (A)	Air Volume (m³/h)	Static Pressure (Pa)	Speed (RPM)	Noise [dB(A)]
LWBE3G190-072NS-06	230	170	1.3	973	1009	4100	72
LWBE3G190-072NU-20	115	170	2.6	973	1009	4100	72



# LWBE-220 Serie



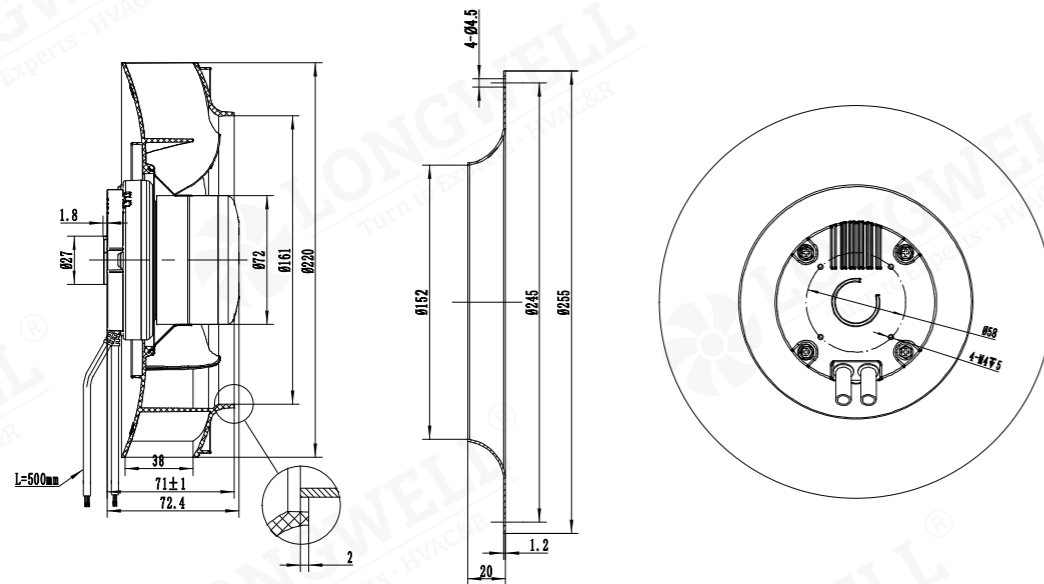
## Product Characteristic

- Impeller Material: PA6+GF
- Direction of Rotation: Clockwise, seen on rotor
- Protection Class: IP55
- Mounting Position: Horizontal or Vertical
- Bearing: Maintenance-free ball bearings
- Protection: Tach output, Locked-Rotor protection Reverse Polarity, Over-voltage protection, Soft Start
- Supply Voltage: 230V, 50/60Hz
- Mode of Operation: S1
- Insulation Class: F
- Operation Temperature: -25°C ~ +60°C
- Technical Features: Control input 0-10VDC/PWM

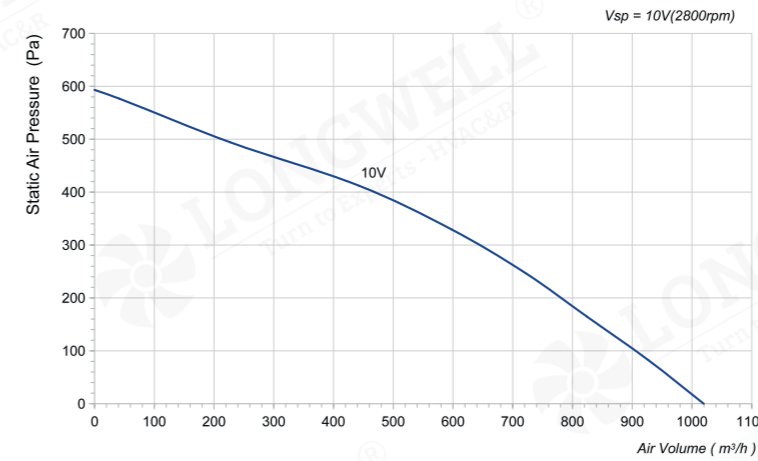


## Technical Specifications

Model	Voltage (V)	Input Power (W)	Current (A)	Air Volume (m³/h)	Static Pressure (Pa)	Speed (RPM)	Noise [dB(A)]
LWBE3G220-072NS-07	230	86	0.71	937	721	2470	68
LWBE3G220-072NU-13	115	86	1.4	937	721	2470	68



# LWBE-220 Serie



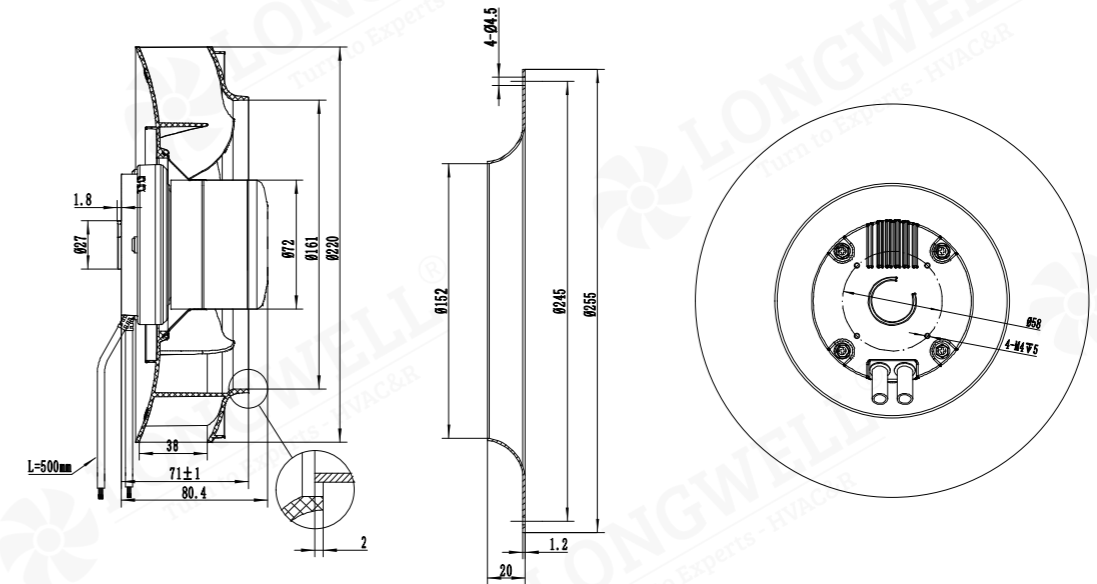
## Product Characteristic

- Impeller Material: PA6+GF
- Direction of Rotation: Clockwise, seen on rotor
- Protection Class: IP55
- Mounting Position: Horizontal or Vertical
- Bearing: Maintenance-free ball bearings
- Protection: Tach output, Locked-Rotor protection Reverse Polarity, Over-voltage protection, Soft Start
- Supply Voltage: 230V, 50/60Hz
- Mode of Operation: S1
- Insulation Class: F
- Operation Temperature: -25°C ~ +60°C
- Technical Features: Control input 0-10VDC/PWM



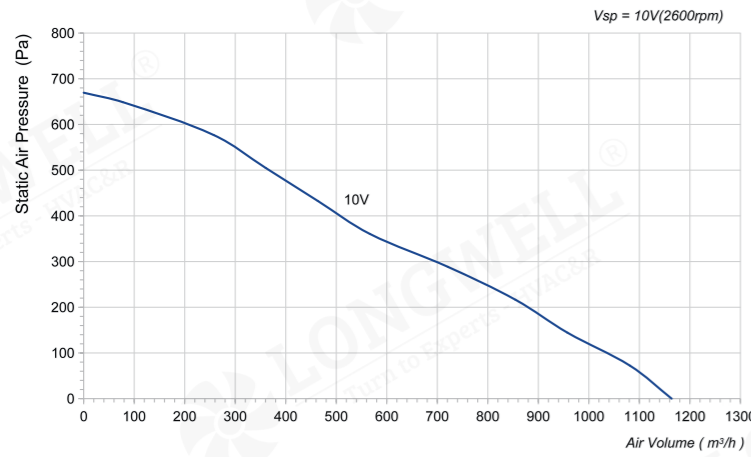
## Technical Specifications

Model	Voltage (V)	Input Power (W)	Current (A)	Air Volume (m³/h)	Static Pressure (Pa)	Speed (RPM)	Noise [dB(A)]
LWBE3G220-072NS-09	230	115	0.9	1020	597	2800	69
LWBE3G220-072NU-14	115	115	1.8	1020	597	2800	69





# LWBE-225 Serise



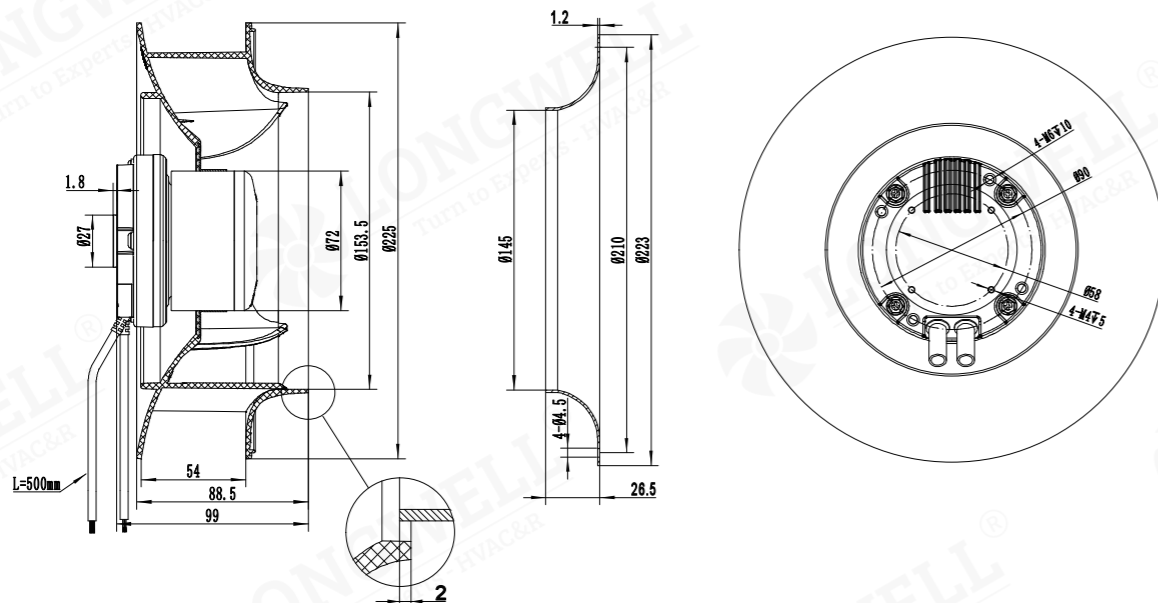
## Product Characteristic

- Impeller Material: PA6+GF
- Direction of Rotation: Clockwise,seen on rotor
- Protection Class: IP55
- Mounting Position: Horizontal or Vertical
- Bearing: Maintenance-free ball bearings
- Protection: Tach output,Locked-Rotor protection Reverse Polarity,Over-voltage protection,Soft Start
- Supply Voltage: 230V,50/60Hz
- Mode of Operation: S1
- Insulation Class: F
- Operation Temperature: -25 C ~ +60 C
- Technical Features: Control input 0-10VDC/PWM

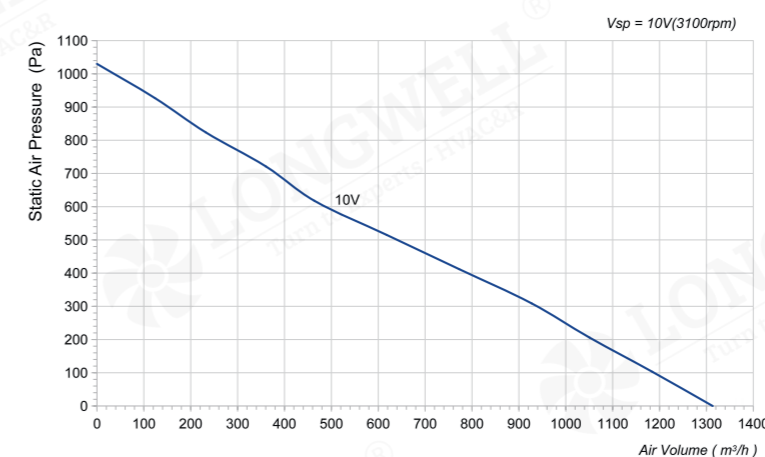


## Technical Specifications

Model	Voltage (V)	Input Power (W)	Current (A)	Air Volume (m³/h)	Static Pressure (Pa)	Speed (RPM)	Noise [dB(A)]
LWBE3G225-072NS-13	230	115	0.9	1185	670	2600	67
LWBE3G225-072NU-15	115	115	1.8	1185	670	2600	67



# LWBE-225 Serise



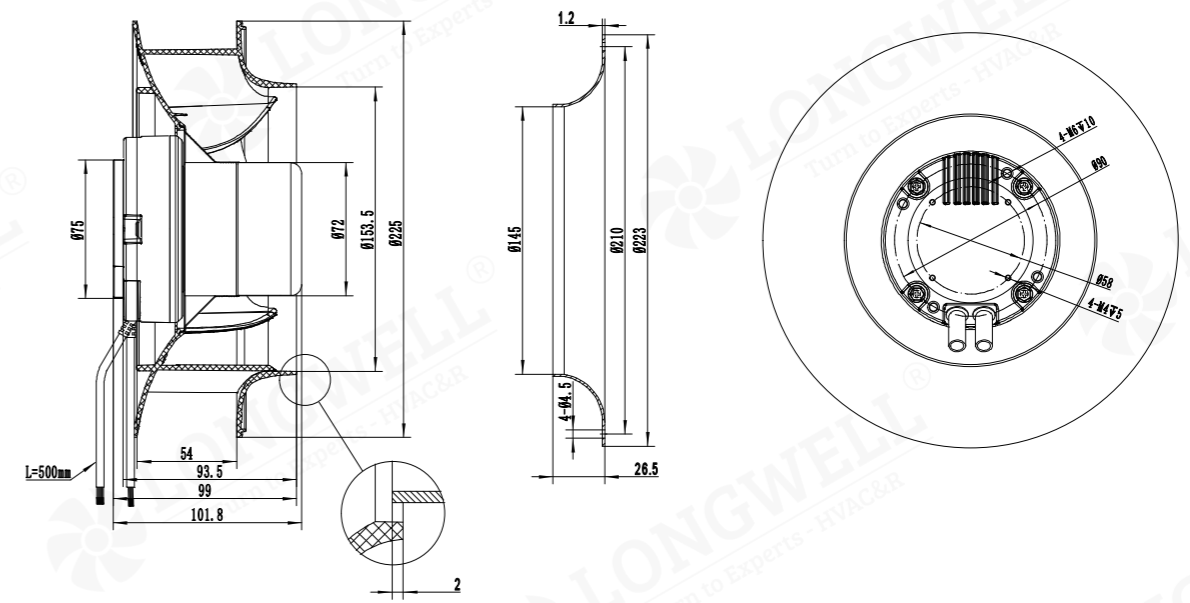
## Product Characteristic

- Impeller Material: PA6+GF
- Direction of Rotation: Clockwise,seen on rotor
- Protection Class: IP55
- Mounting Position: Horizontal or Vertical
- Bearing: Maintenance-free ball bearings
- Protection: Tach output,Locked-Rotor protection Reverse Polarity,Over-voltage protection,Soft Start
- Supply Voltage: 230V,50/60Hz
- Mode of Operation: S1
- Insulation Class: F
- Operation Temperature: -25 C ~ +60 C
- Technical Features: Control input 0-10VDC/PWM

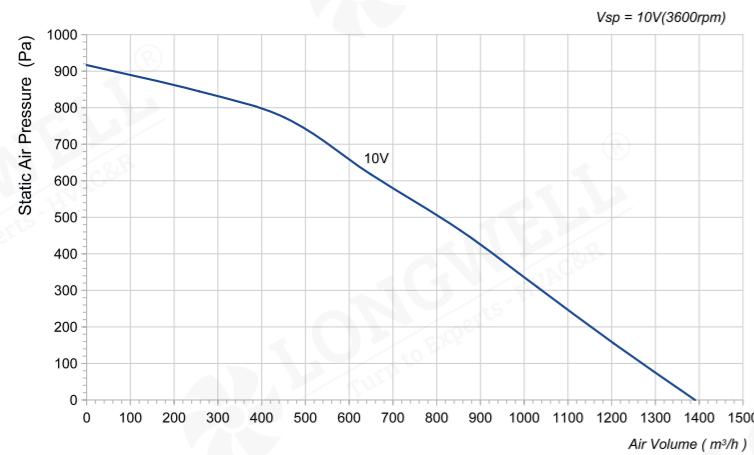


## Technical Specifications

Model	Voltage (V)	Input Power (W)	Current (A)	Air Volume (m³/h)	Static Pressure (Pa)	Speed (RPM)	Noise [dB(A)]
LWBE3G225-072NS-07	230	170	1.26	1313	1030	3100	70
LWBE3G225-072NU-16	115	170	2.52	1313	1030	3100	70



## LWBE-225 Serie



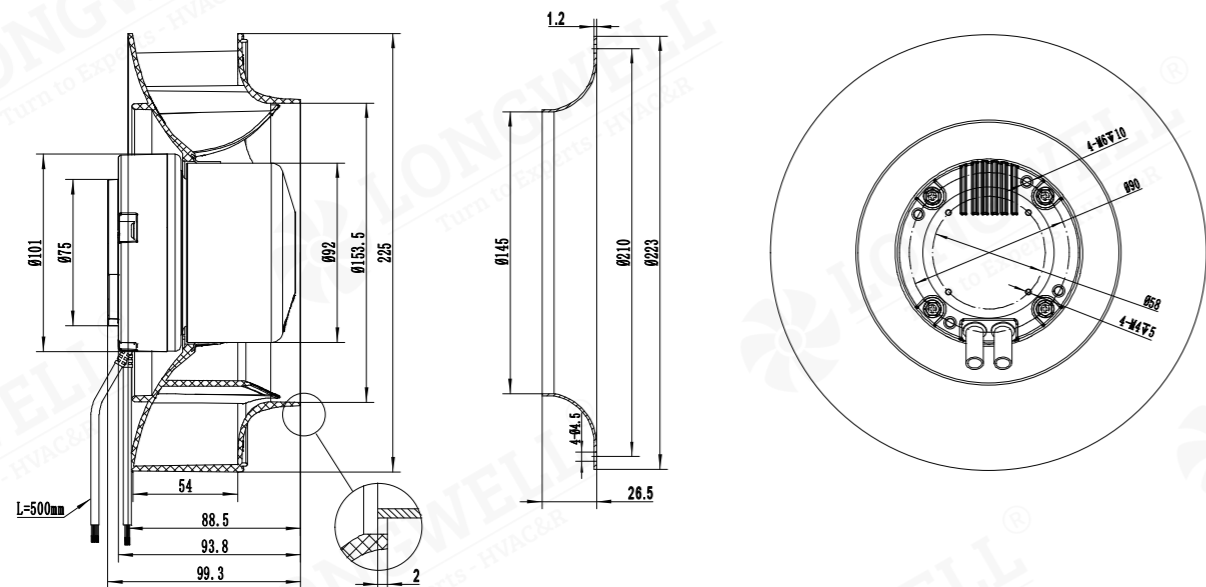
### Product Characteristic

- Impeller Material: PA6+GF
- Direction of Rotation: Clockwise, seen on rotor
- Protection Class: IP55
- Mounting Position: Horizontal or Vertical
- Bearing: Maintenance-free ball bearings
- Protection: Tach output, Locked-Rotor protection Reverse Polarity, Over-voltage protection, Soft Start
- Supply Voltage: 230V, 50/60Hz
- Mode of Operation: S1
- Insulation Class: F
- Operation Temperature: -25°C ~ +60°C
- Technical Features: Control input 0-10VDC/PWM

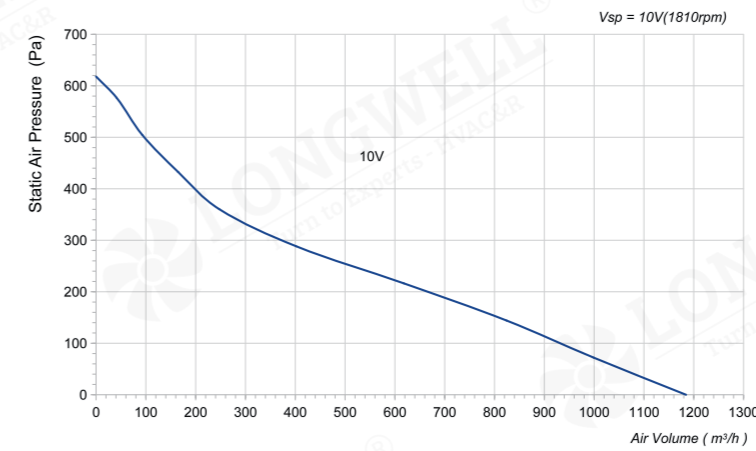


### Technical Specifications

Model	Voltage (V)	Input Power (W)	Current (A)	Air Volume (m³/h)	Static Pressure (Pa)	Speed (RPM)	Noise [dB(A)]
LWBE3G225-092NS-10	230	230	1.7	1360	906	3600	71
LWBE3G225-092NU-17	115	230	3.4	1360	906	3600	71



## LWBE-250 Serie



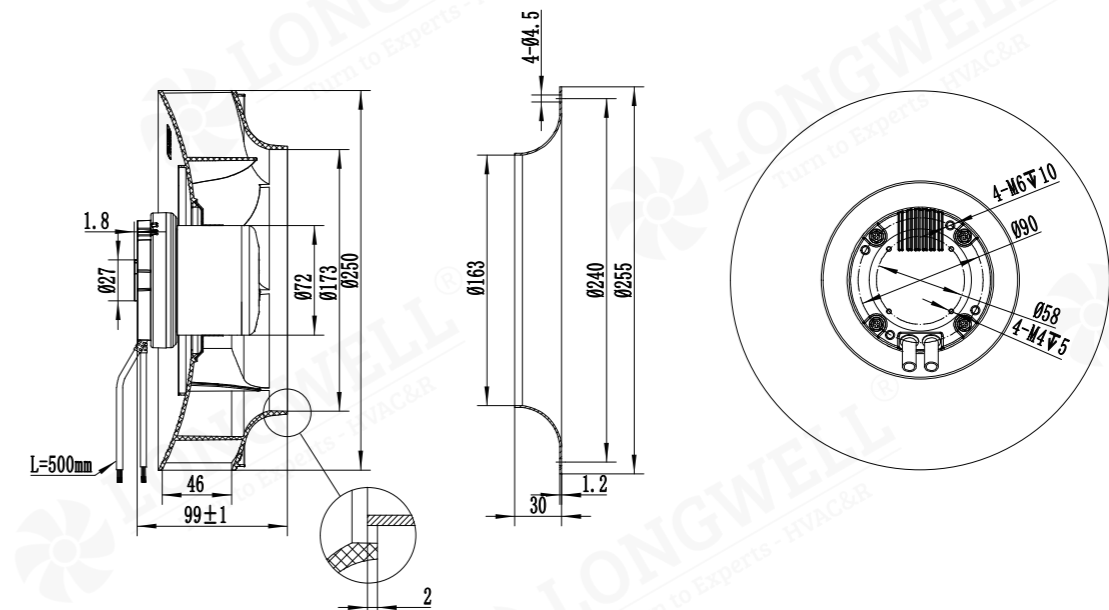
### Product Characteristic

- Impeller Material: PA6+GF
- Direction of Rotation: Clockwise, seen on rotor
- Protection Class: IP55
- Mounting Position: Horizontal or Vertical
- Bearing: Maintenance-free ball bearings
- Protection: Tach output, Locked-Rotor protection Reverse Polarity, Over-voltage protection, Soft Start
- Supply Voltage: 230V, 50/60Hz
- Mode of Operation: S1
- Insulation Class: F
- Operation Temperature: -25°C ~ +60°C
- Technical Features: Control input 0-10VDC/PWM

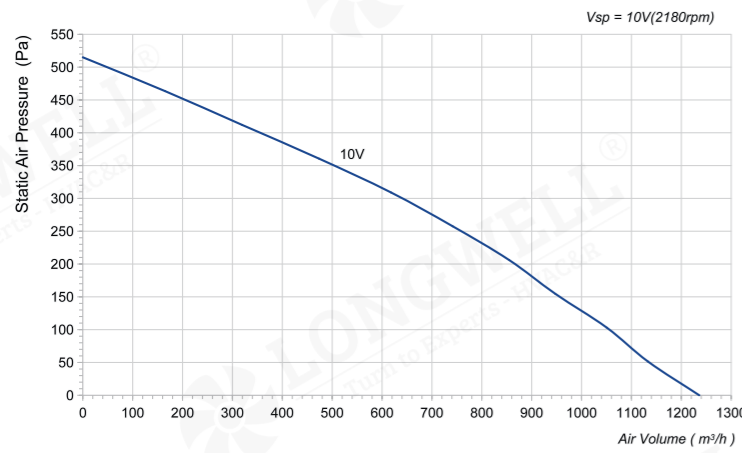


### Technical Specifications

Model	Voltage (V)	Input Power (W)	Current (A)	Air Volume (m³/h)	Static Pressure (Pa)	Speed (RPM)	Noise [dB(A)]
LWBE3G250-072NS-08	230	85	1.26	1185	618	1810	62
LWBE3G250-072NU-32	115	85	1.3	1185	618	1810	62



# LWBE-250 Serie



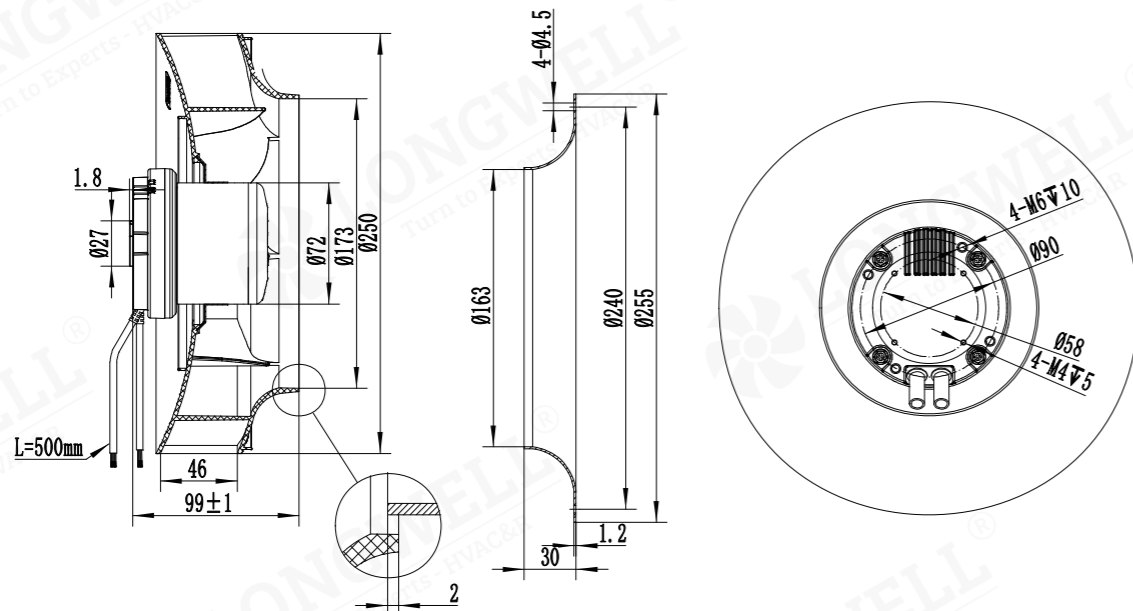
## Product Characteristic

- Impeller Material: PA6+GF
- Direction of Rotation: Clockwise, seen on rotor
- Protection Class: IP55
- Mounting Position: Horizontal or Vertical
- Bearing: Maintenance-free ball bearings
- Protection: Tach output, Locked-Rotor protection Reverse Polarity, Over-voltage protection, Soft Start
- Supply Voltage: 230V, 50/60Hz
- Mode of Operation: S1
- Insulation Class: F
- Operation Temperature: -25°C ~ +60°C
- Technical Features: Control input 0-10VDC/PWM

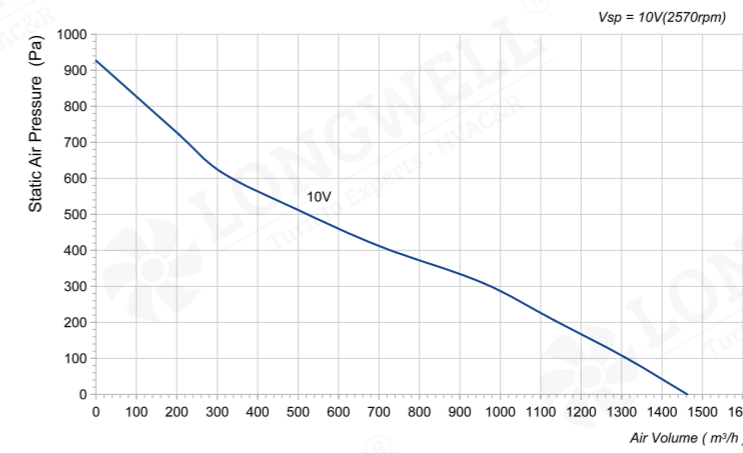


## Technical Specifications

Model	Voltage (V)	Input Power (W)	Current (A)	Air Volume (m³/h)	Static Pressure (Pa)	Speed (RPM)	Noise [dB(A)]
LWBE3G250-072NS-18	230	115	0.9	1236	515	2180	62
LWBE3G250-072NU-33	115	115	1.8	1236	515	2180	62



# LWBE-250 Serie



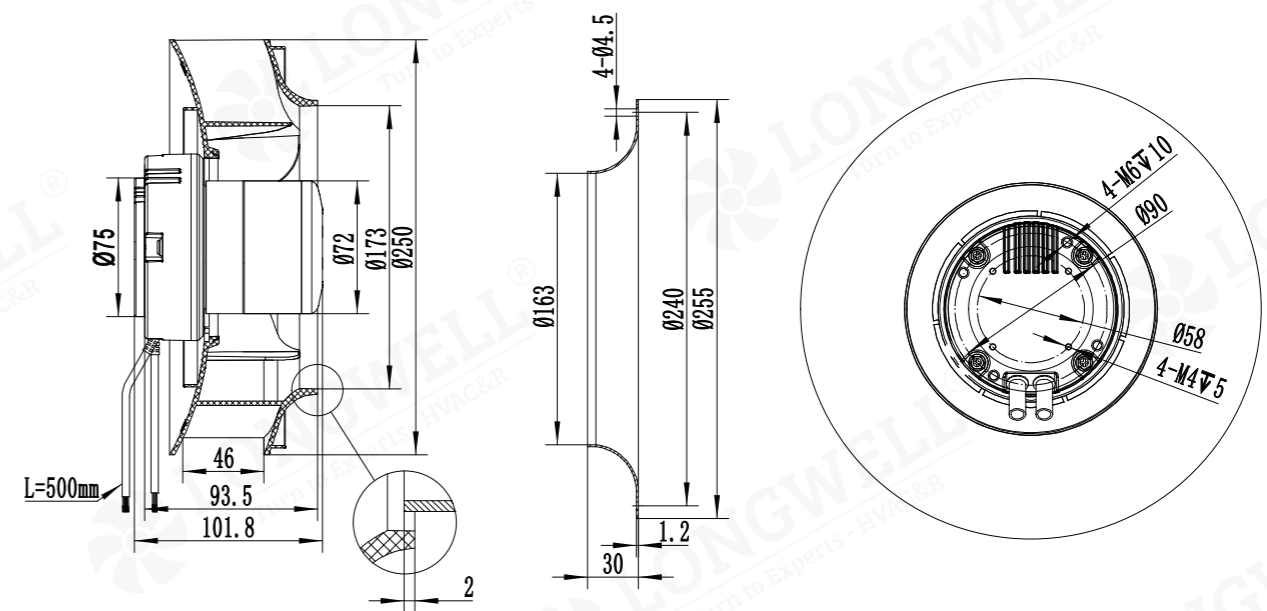
## Product Characteristic

- Impeller Material: PA6+GF
- Direction of Rotation: Clockwise, seen on rotor
- Protection Class: IP55
- Mounting Position: Horizontal or Vertical
- Bearing: Maintenance-free ball bearings
- Protection: Tach output, Locked-Rotor protection Reverse Polarity, Over-voltage protection, Soft Start
- Supply Voltage: 230V, 50/60Hz
- Mode of Operation: S1
- Insulation Class: F
- Operation Temperature: -25°C ~ +60°C
- Technical Features: Control input 0-10VDC/PWM

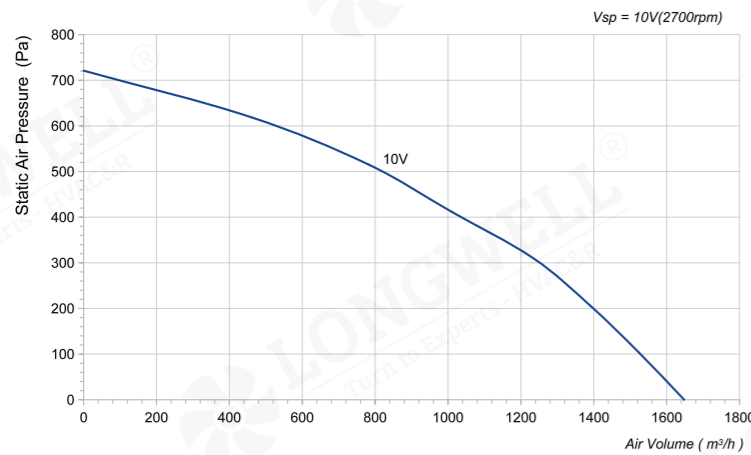


## Technical Specifications

Model	Voltage (V)	Input Power (W)	Current (A)	Air Volume (m³/h)	Static Pressure (Pa)	Speed (RPM)	Noise [dB(A)]
LWBE3G250-072NS-09	230	169	1.27	1478	927	2570	71
LWBE3G250-072NU-34	115	169	2.54	1478	927	2570	71



# LWBE-250 Serie



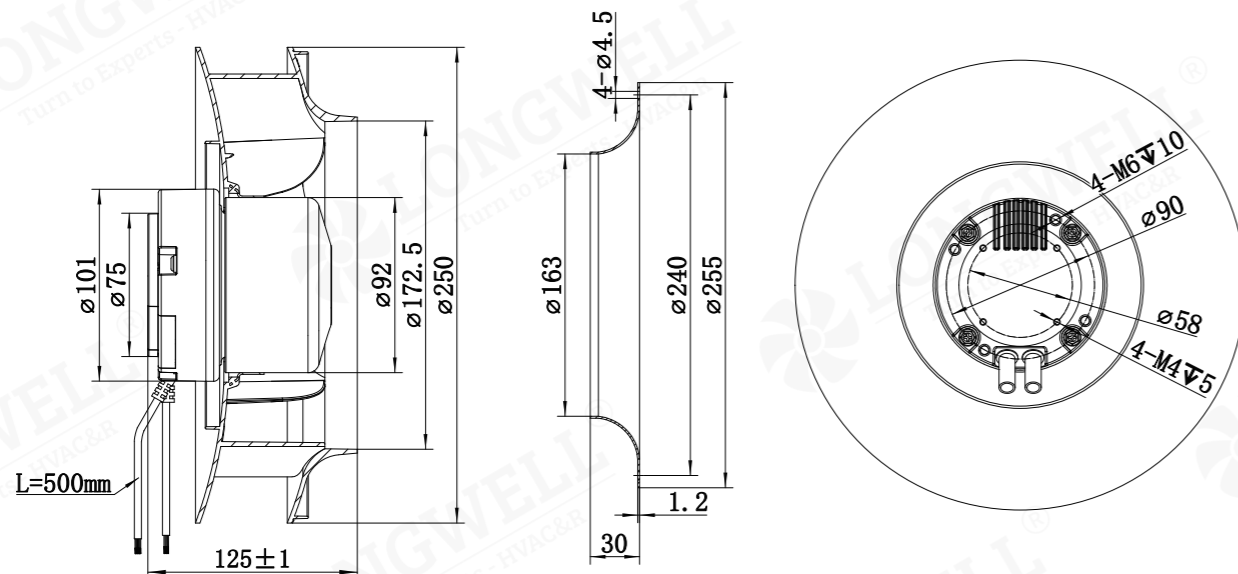
## Product Characteristic

- Impeller Material: PA6+GF
- Direction of Rotation: Clockwise, seen on rotor
- Protection Class: IP55
- Mounting Position: Horizontal or Vertical
- Bearing: Maintenance-free ball bearings
- Protection: Tach output, Locked-Rotor protection Reverse Polarity, Over-voltage protection, Soft Start
- Supply Voltage: 230V, 50/60Hz
- Mode of Operation: S1
- Insulation Class: F
- Operation Temperature: -25°C ~ +60°C
- Technical Features: Control input 0-10VDC/PWM

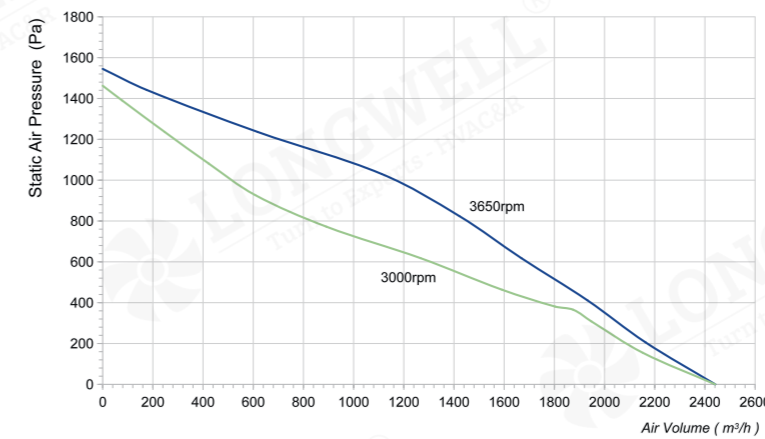


## Technical Specifications

Model	Voltage (V)	Input Power (W)	Current (A)	Air Volume (m³/h)	Static Pressure (Pa)	Speed (RPM)	Noise [dB(A)]
LWBE3G250-092NS-19	230	230	1.65	1648	721	2700	71
LWBE3G250-092NU-35	115	230	3.2	1648	721	2700	71



# LWBE-250 Serie



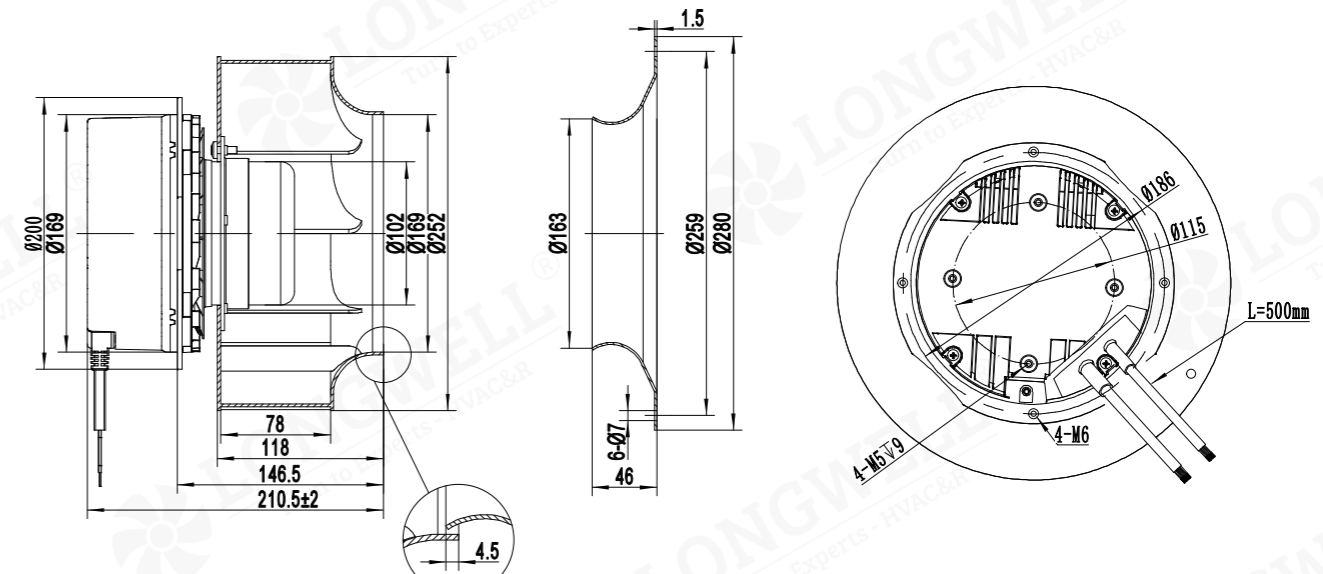
## Product Characteristic

- Impeller Material: Aluminum Alloy
- Direction of Rotation: Clockwise, seen on rotor
- Protection Class: IP55
- Mounting Position: Horizontal or Vertical
- Bearing: Maintenance-free ball bearings
- Protection: Tach output, Locked-Rotor protection Reverse Polarity, Over-voltage protection, Soft Start
- Supply Voltage: 230V, 50/60Hz
- Mode of Operation: S1
- Insulation Class: F
- Operation Temperature: -25°C ~ +60°C
- Technical Features: Control input 0-10VDC/PWM

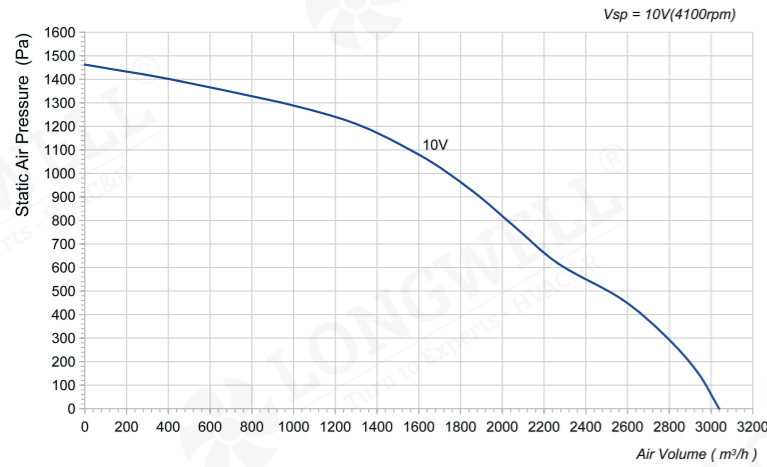


## Technical Specifications

Model	Voltage (V)	Input Power (W)	Current (A)	Air Volume (m³/h)	Static Pressure (Pa)	Speed (RPM)	Noise [dB(A)]
LWBE3G250-102NS-10	230	520	2.5	2472	1545	3650	85
LWBE3G250-102NU-36	115	420	3.7	2472	1463	3000	75



# LWBE-250 Serie



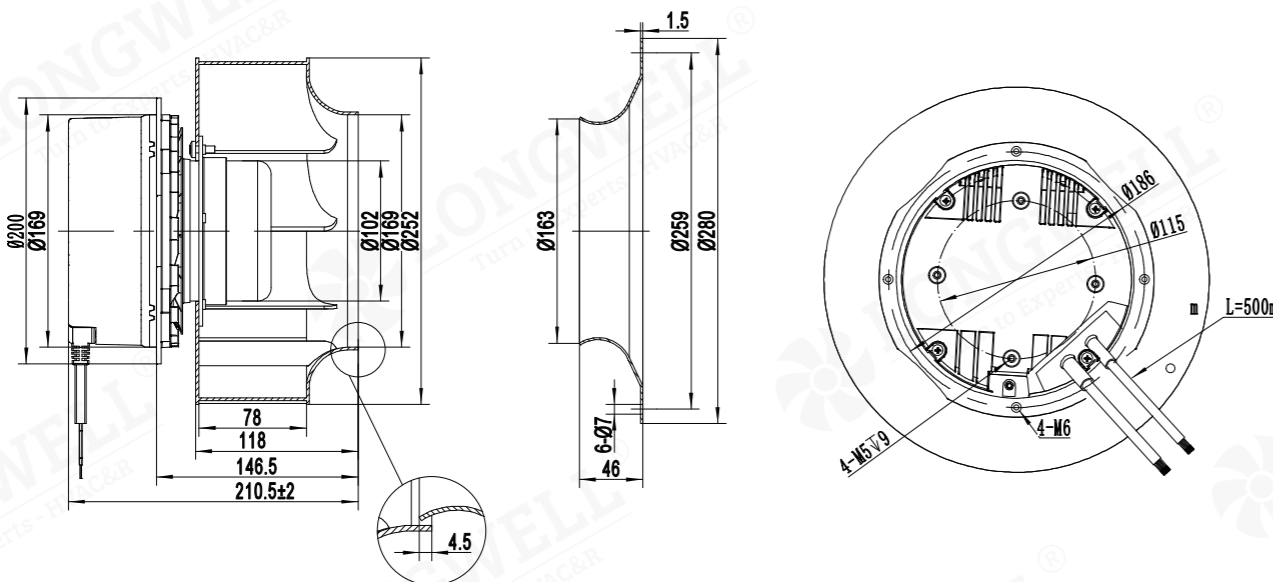
## Product Characteristic

- Impeller Material: Aluminum Alloy
- Direction of Rotation: Clockwise, seen on rotor
- Protection Class: IP55
- Mounting Position: Horizontal or Vertical
- Bearing: Maintenance-free ball bearings
- Protection: Tach output, Locked-Rotor protection Reverse Polarity, Over-voltage protection, Soft Start
- Supply Voltage: 230V, 50/60Hz
- Mode of Operation: S1
- Insulation Class: F
- Operation Temperature: -25°C ~ +60°C
- Technical Features: Control input 0-10VDC/PWM

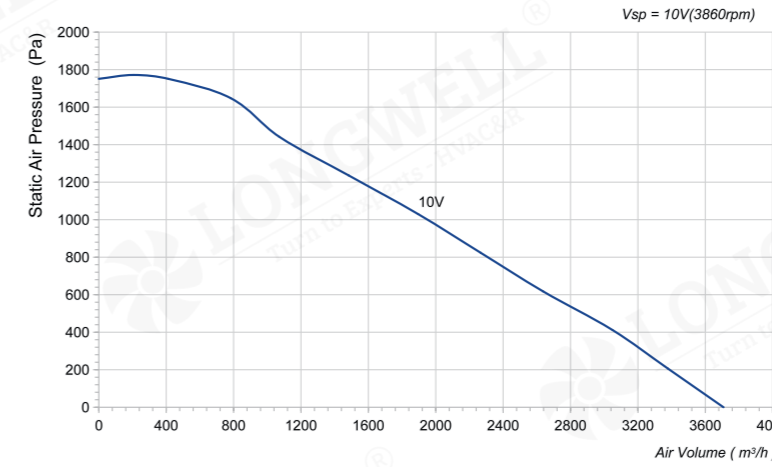


## Technical Specifications

Model	Voltage (V)	Input Power (W)	Current (A)	Air Volume (m³/h)	Static Pressure (Pa)	Speed (RPM)	Noise [dB(A)]
LWBE3G250-102NS-20	230	750	3.4	3039	1442	4100	93



# LWBE-250 Serie



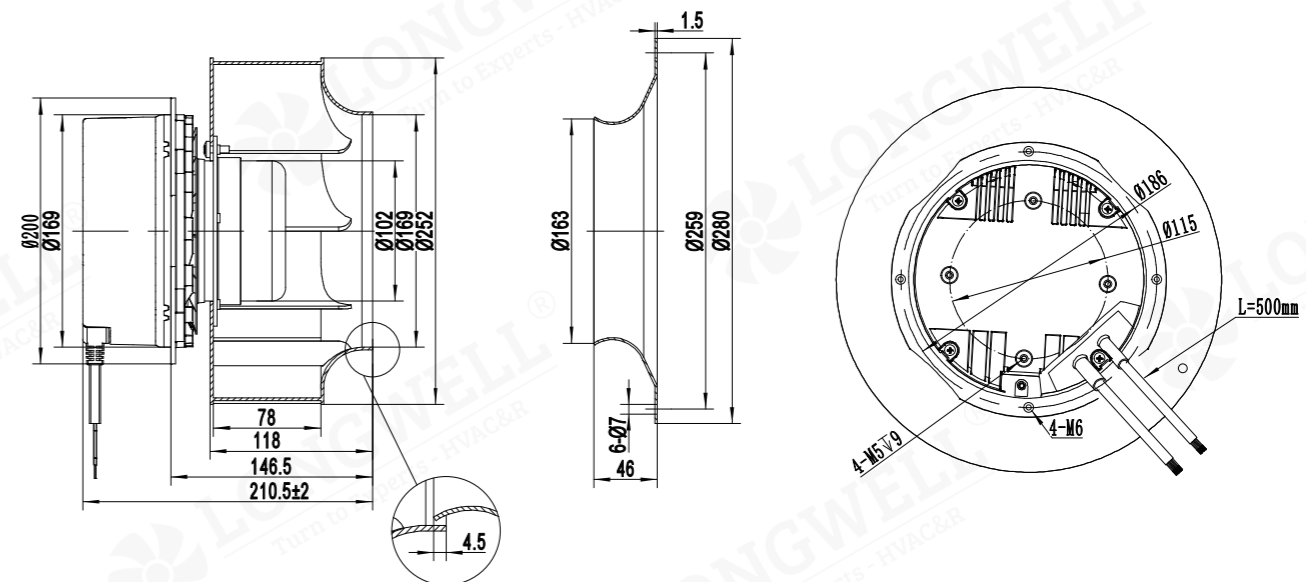
## Product Characteristic

- Impeller Material: Aluminum Alloy
- Direction of Rotation: Clockwise, seen on rotor
- Protection Class: IP55
- Mounting Position: Horizontal or Vertical
- Bearing: Maintenance-free ball bearings
- Protection: Tach output, Locked-Rotor protection Reverse Polarity, Over-voltage protection, Soft Start
- Supply Voltage: 400V, 50/60Hz
- Mode of Operation: S1
- Insulation Class: F
- Operation Temperature: -25°C ~ +60°C
- Technical Features: Control input 0-10VDC/PWM

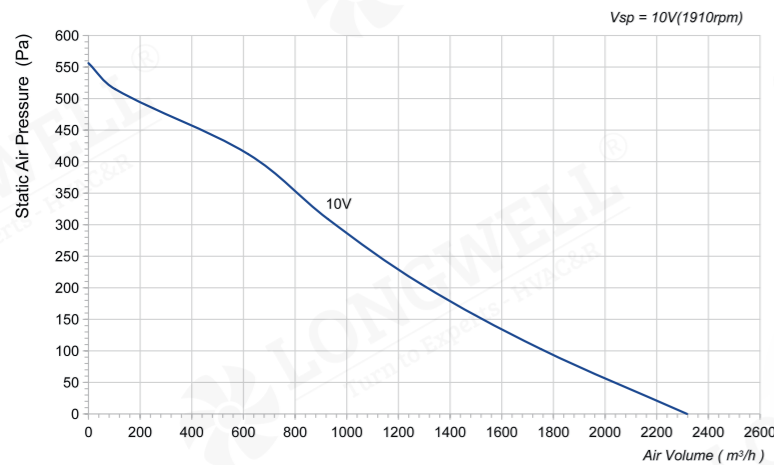


## Technical Specifications

Model	Voltage (V)	Input Power (W)	Current (A)	Air Volume (m³/h)	Static Pressure (Pa)	Speed (RPM)	Noise [dB(A)]
LWBE3G250-102NT-21	400	1000	1.6	3708	1751	3860	92



# LWBE-280 Serie



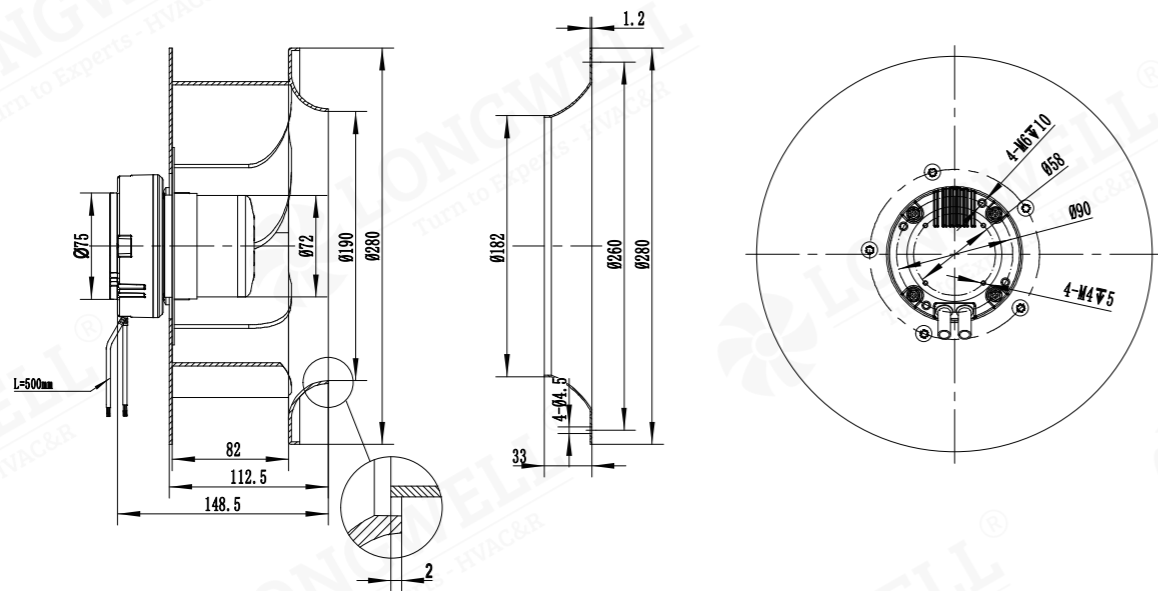
## Product Characteristic

- Impeller Material: Aluminum Alloy
- Direction of Rotation: Clockwise, seen on rotor
- Protection Class: IP55
- Mounting Position: Horizontal or Vertical
- Bearing: Maintenance-free ball bearings
- Protection: Tach output, Locked-Rotor protection Reverse Polarity, Over-voltage protection, Soft Start
- Supply Voltage: 230V, 50/60Hz
- Mode of Operation: S1
- Insulation Class: F
- Operation Temperature: -25°C ~ +60°C
- Technical Features: Control input 0-10VDC/PWM

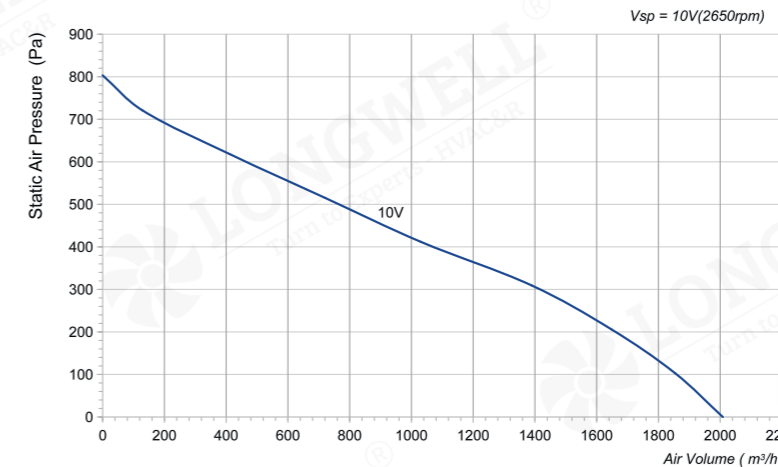


## Technical Specifications

Model	Voltage (V)	Input Power (W)	Current (A)	Air Volume (m³/h)	Static Pressure (Pa)	Speed (RPM)	Noise [dB(A)]
LWBE3G280-072NS-12	230	170	1.2	2318	556	1910	73
LWBE3G280-072NU-21	115	170	2.4	2318	556	1910	73



# LWBE-280 Serie



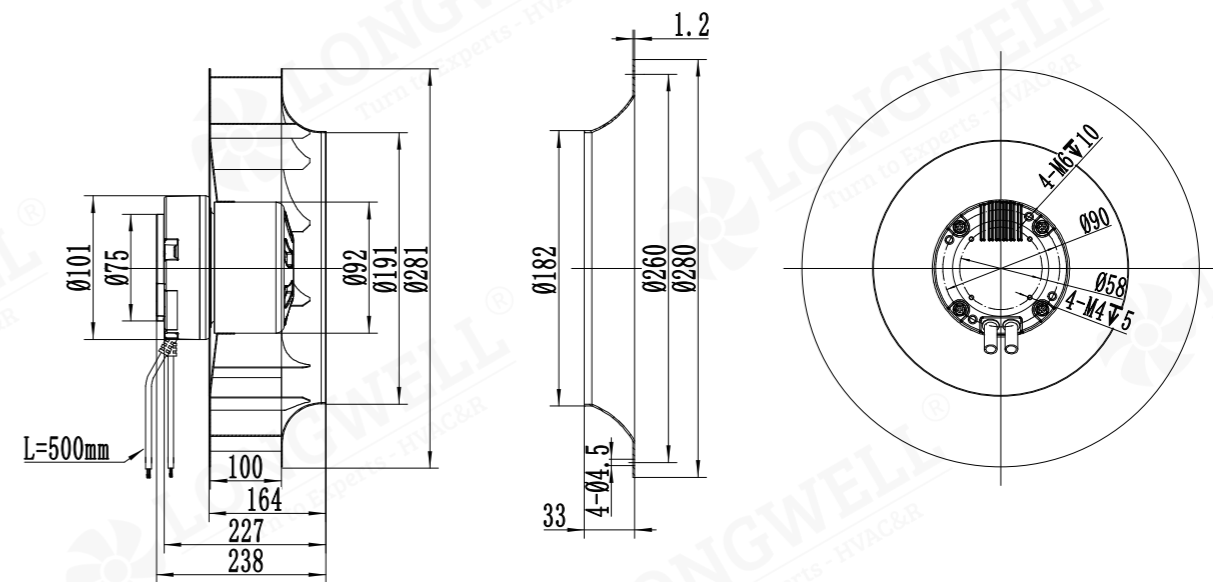
## Product Characteristic

- Impeller Material: Aluminum Alloy
- Direction of Rotation: Clockwise, seen on rotor
- Protection Class: IP55
- Mounting Position: Horizontal or Vertical
- Bearing: Maintenance-free ball bearings
- Protection: Tach output, Locked-Rotor protection Reverse Polarity, Over-voltage protection, Soft Start
- Supply Voltage: 230V, 50/60Hz
- Mode of Operation: S1
- Insulation Class: F
- Operation Temperature: -25°C ~ +60°C
- Technical Features: Control input 0-10VDC/PWM

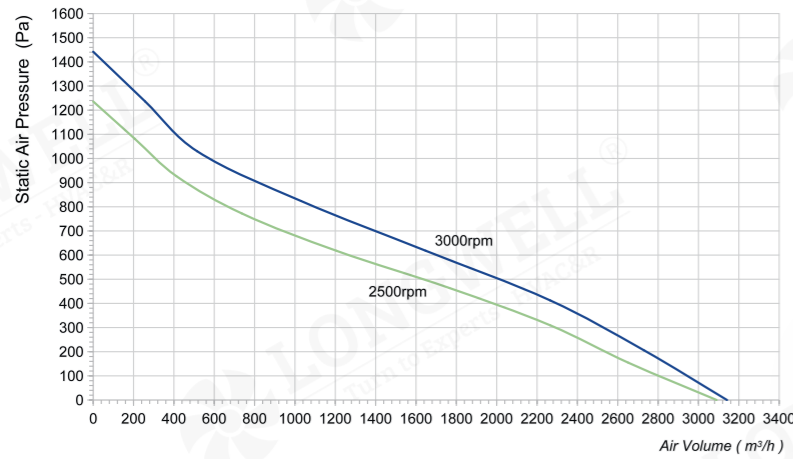


## Technical Specifications

Model	Voltage (V)	Input Power (W)	Current (A)	Air Volume (m³/h)	Static Pressure (Pa)	Speed (RPM)	Noise [dB(A)]
LWBE3G280-092NS-11	230	225	1.6	2009	803	2650	70



# LWBE-280 Serie



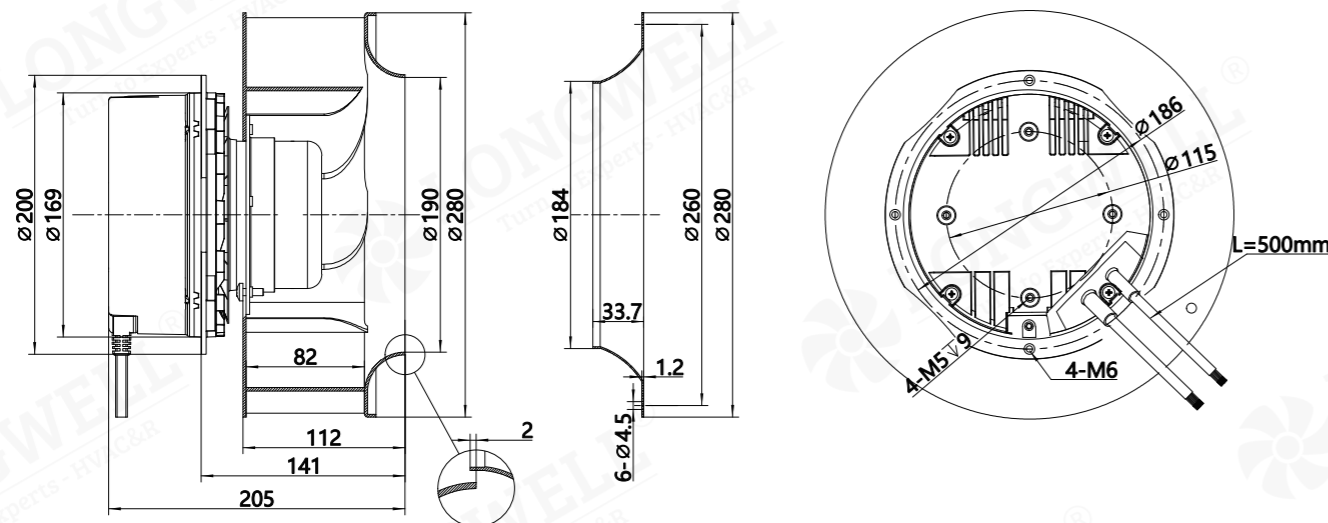
## Product Characteristic

- Impeller Material: Aluminum Alloy
- Direction of Rotation: Clockwise, seen on rotor
- Protection Class: IP55
- Mounting Position: Horizontal or Vertical
- Bearing: Maintenance-free ball bearings
- Protection: Tach output, Locked-Rotor protection Reverse Polarity, Over-voltage protection, Soft Start
- Supply Voltage: 230V, 50/60Hz
- Mode of Operation: S1
- Insulation Class: F
- Operation Temperature: -25°C ~ +60°C
- Technical Features: Control input 0-10VDC/PWM

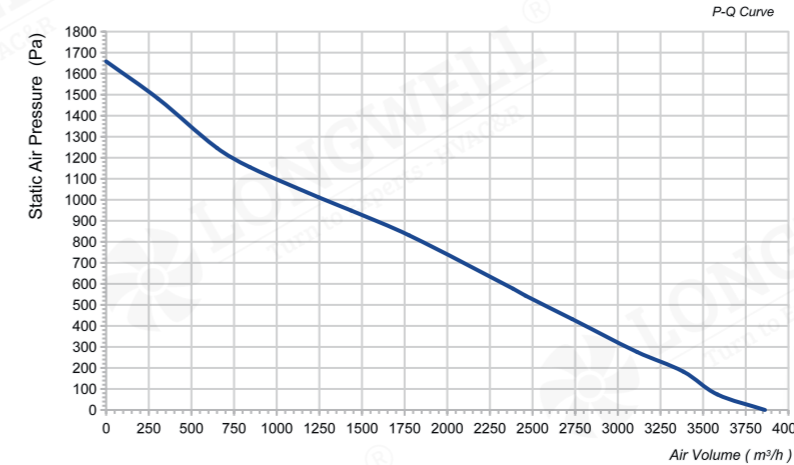


## Technical Specifications

Model	Voltage (V)	Input Power (W)	Current (A)	Air Volume (m³/h)	Static Pressure (Pa)	Speed (RPM)	Noise [dB(A)]
LWBE3G280-102NS-16	230	500	2.3	3193	1442	3000	75
LWBE3G280-102NU-22	115	400	3.5	3090	1236	2500	71



# LWBE-280 Serie



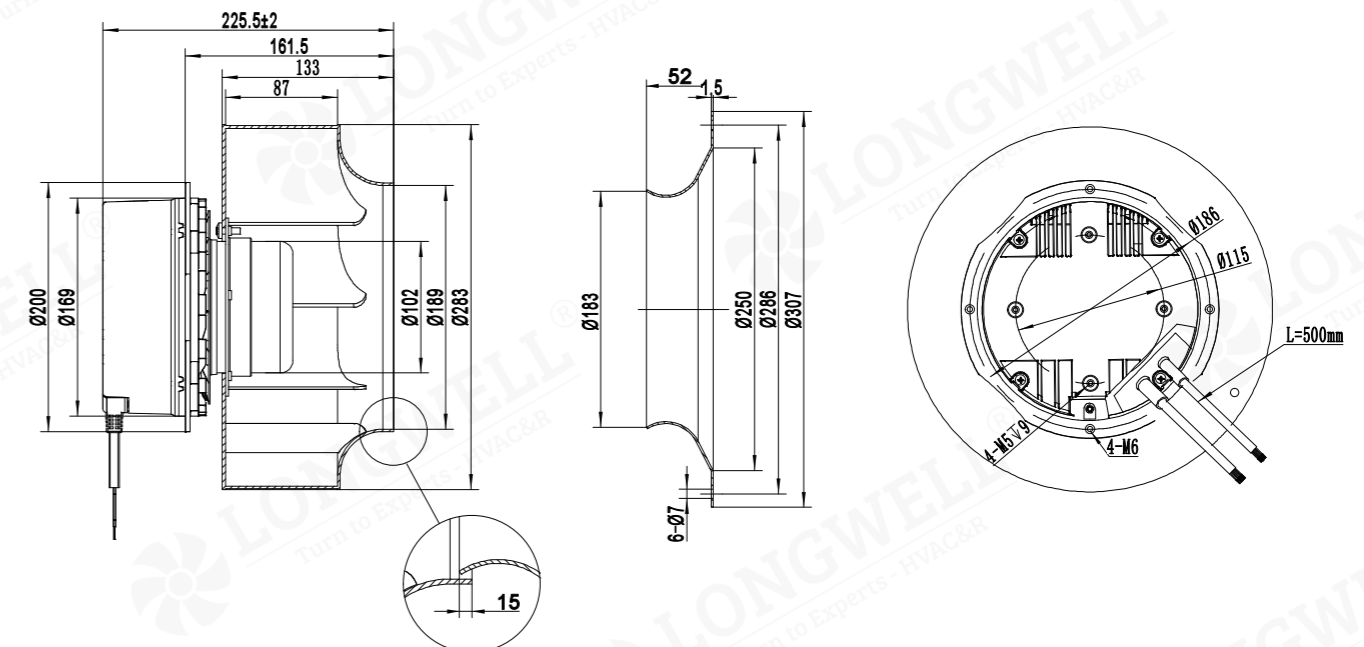
## Product Characteristic

- Impeller Material: Aluminum Alloy
- Direction of Rotation: Clockwise, seen on rotor
- Protection Class: IP55
- Mounting Position: Horizontal or Vertical
- Bearing: Maintenance-free ball bearings
- Protection: Tach output, Locked-Rotor protection Reverse Polarity, Over-voltage protection, Soft Start
- Supply Voltage: 230V, 50/60Hz
- Mode of Operation: S1
- Insulation Class: F
- Operation Temperature: -25°C ~ +60°C
- Technical Features: Control input 0-10VDC/PWM

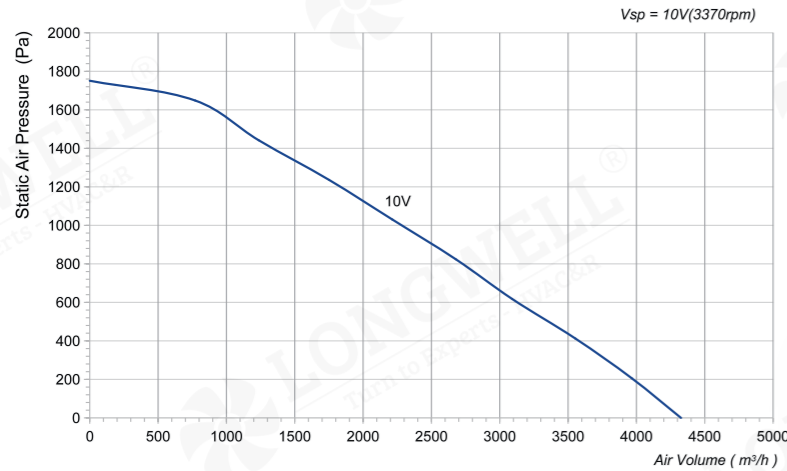


## Technical Specifications

Model	Voltage (V)	Input Power (W)	Current (A)	Air Volume (m³/h)	Static Pressure (Pa)	Speed (RPM)	Noise [dB(A)]
LWBE3G280-102NS-06	230	700	3.1	3863	1658	3270	85



## LWBE-280 Serie



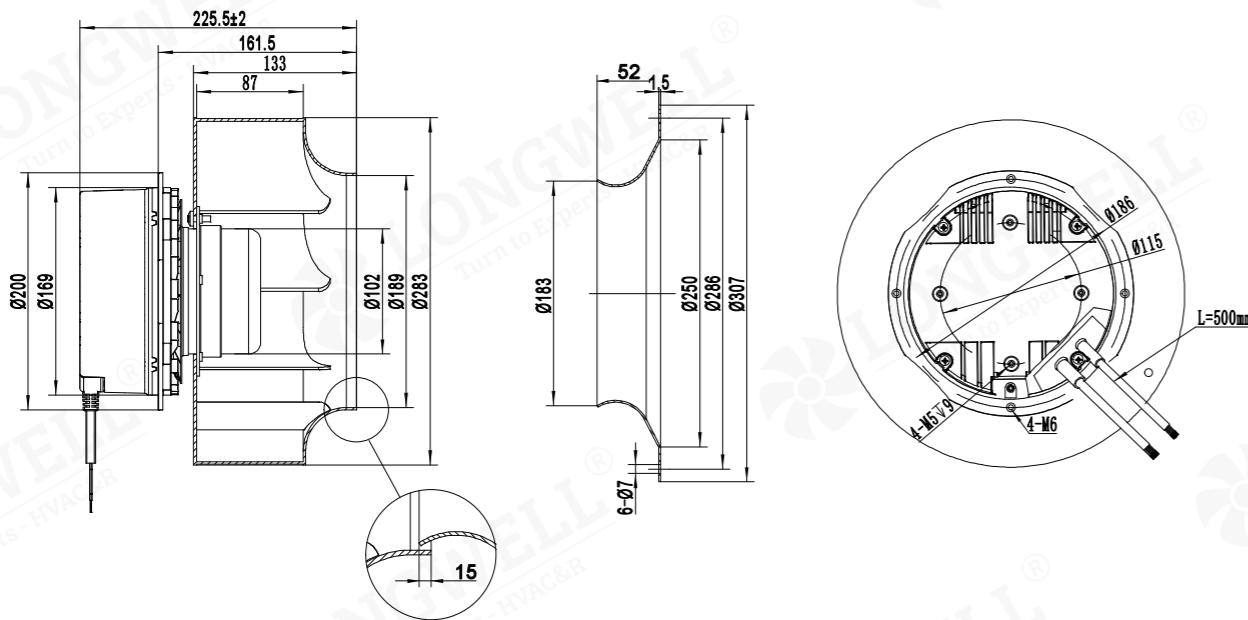
### Product Characteristic

- Impeller Material: Aluminum Alloy
- Direction of Rotation: Clockwise, seen on rotor
- Protection Class: IP55
- Mounting Position: Horizontal or Vertical
- Bearing: Maintenance-free ball bearings
- Protection: Tach output, Locked-Rotor protection Reverse Polarity, Over-voltage protection, Soft Start
- Supply Voltage: 400V, 50/60Hz
- Mode of Operation: S1
- Insulation Class: F
- Operation Temperature: -25°C ~ +60°C
- Technical Features: Control input 0-10VDC/PWM

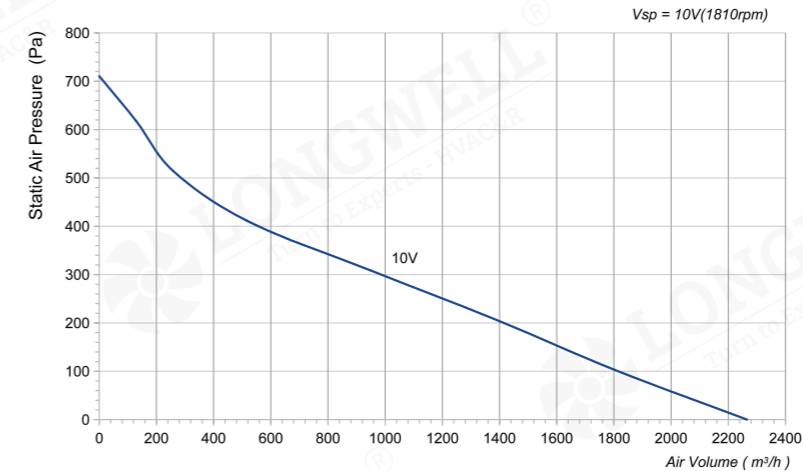


### Technical Specifications

Model	Voltage (V)	Input Power (W)	Current (A)	Air Volume (m³/h)	Static Pressure (Pa)	Speed (RPM)	Noise [dB(A)]
LWBE3G280-102NT-17	400	1100	1.7	4378	1751	3370	78



## LWBE-310 Serie



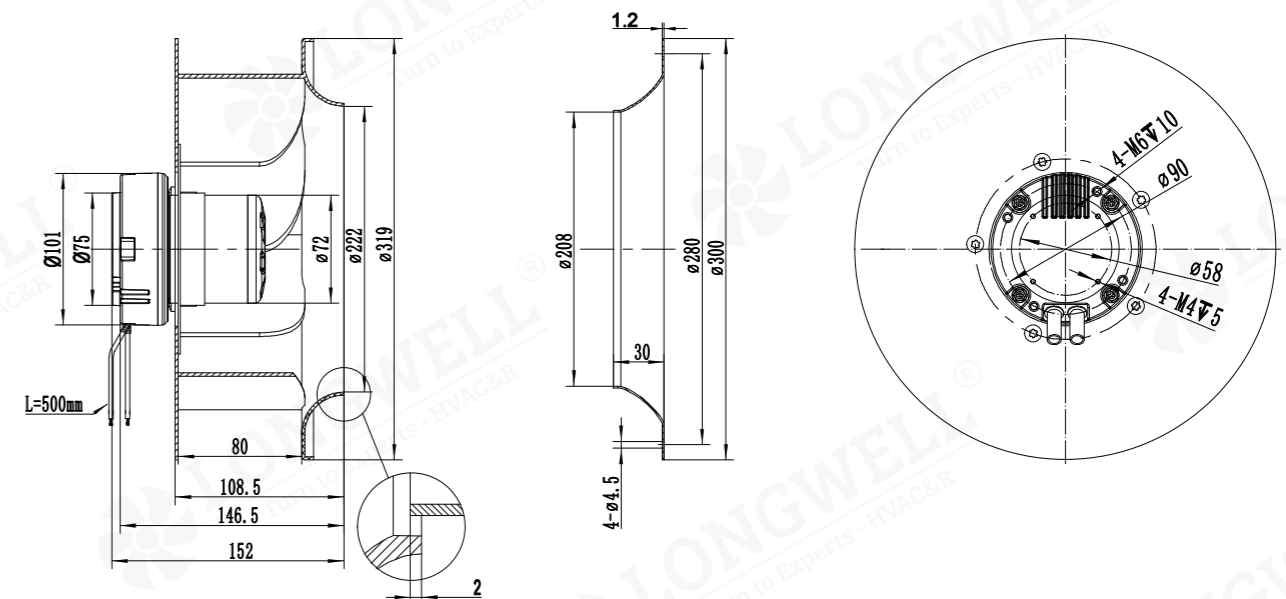
### Product Characteristic

- Impeller Material: Aluminum Alloy
- Direction of Rotation: Clockwise, seen on rotor
- Protection Class: IP55
- Mounting Position: Horizontal or Vertical
- Bearing: Maintenance-free ball bearings
- Protection: Tach output, Locked-Rotor protection Reverse Polarity, Over-voltage protection, Soft Start
- Supply Voltage: 230V, 50/60Hz
- Mode of Operation: S1
- Insulation Class: F
- Operation Temperature: -25°C ~ +60°C
- Technical Features: Control input 0-10VDC/PWM

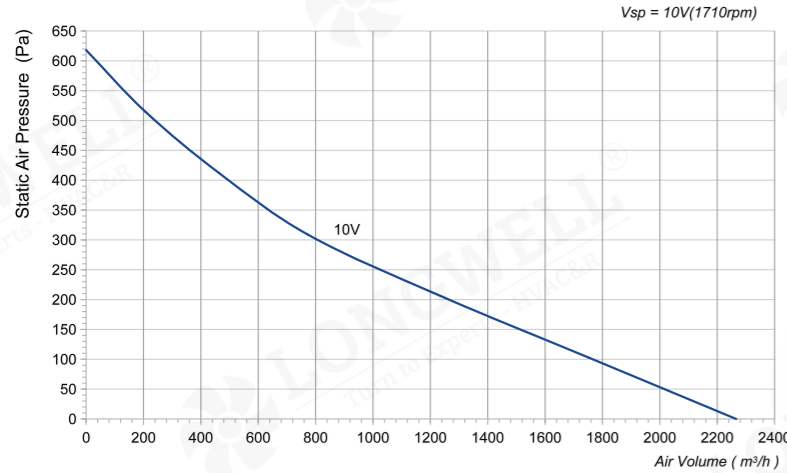


### Technical Specifications

Model	Voltage (V)	Input Power (W)	Current (A)	Air Volume (m³/h)	Static Pressure (Pa)	Speed (RPM)	Noise [dB(A)]
LWBE3G310-072NS-07	230	175	1.25	2266	700	1810	66
LWBE3G310-072NU-27	115	175	2.5	2266	700	1810	66



# LWBE-310 Serie



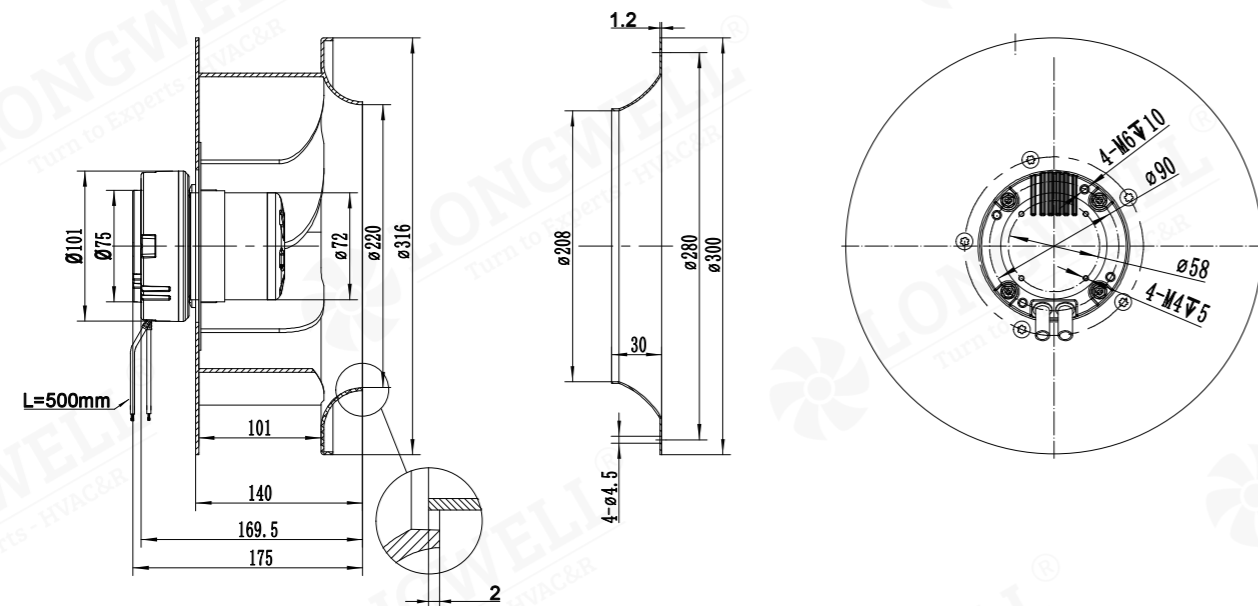
## Product Characteristic

- Impeller Material: Aluminum Alloy
- Direction of Rotation: Clockwise, seen on rotor
- Protection Class: IP55
- Mounting Position: Horizontal or Vertical
- Bearing: Maintenance-free ball bearings
- Protection: Tach output, Locked-Rotor protection Reverse Polarity, Over-voltage protection, Soft Start
- Supply Voltage: 230V, 50/60Hz
- Mode of Operation: S1
- Insulation Class: F
- Operation Temperature: -25°C ~ +60°C
- Technical Features: Control input 0-10VDC/PWM

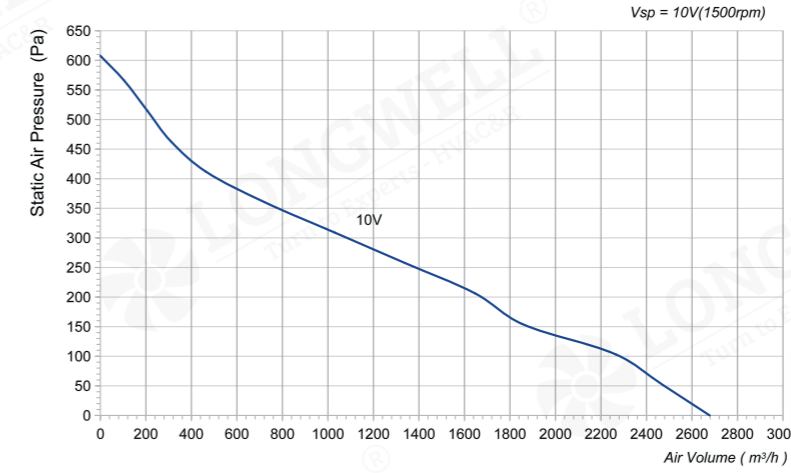


## Technical Specifications

Model	Voltage (V)	Input Power (W)	Current (A)	Air Volume (m³/h)	Static Pressure (Pa)	Speed (RPM)	Noise [dB(A)]
LWBE3G310-072NS-21	230	175	1.25	2266	618	1710	72



# LWBE-310 Serie



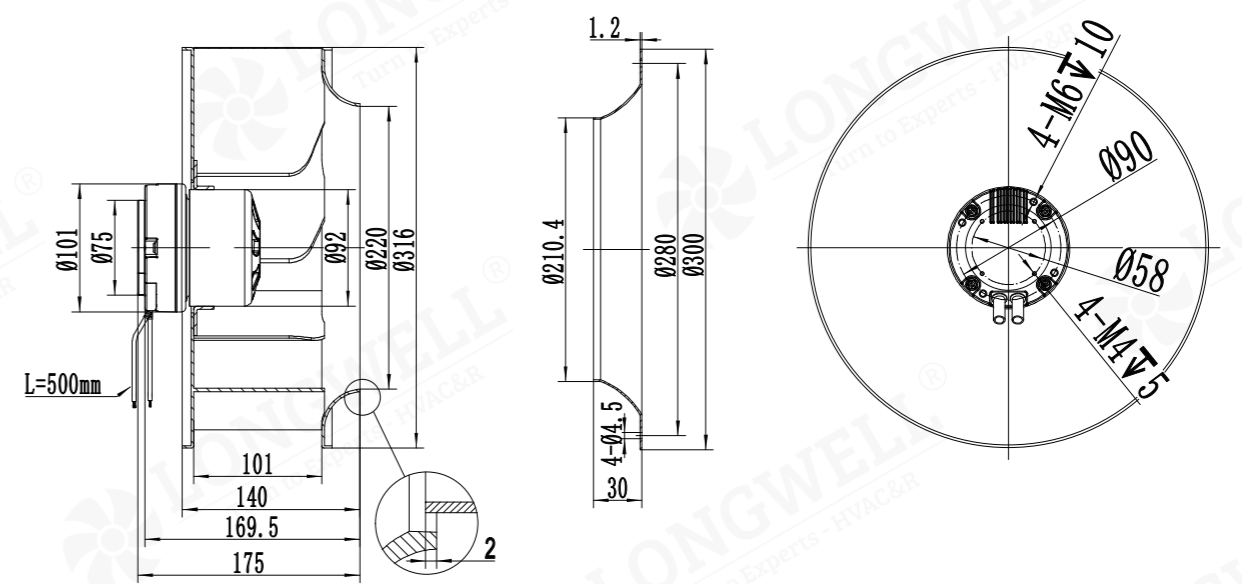
## Product Characteristic

- Impeller Material: Aluminum Alloy
- Direction of Rotation: Clockwise, seen on rotor
- Protection Class: IP55
- Mounting Position: Horizontal or Vertical
- Bearing: Maintenance-free ball bearings
- Protection: Tach output, Locked-Rotor protection Reverse Polarity, Over-voltage protection, Soft Start
- Supply Voltage: 230V, 50/60Hz
- Mode of Operation: S1
- Insulation Class: F
- Operation Temperature: -25°C ~ +60°C
- Technical Features: Control input 0-10VDC/PWM

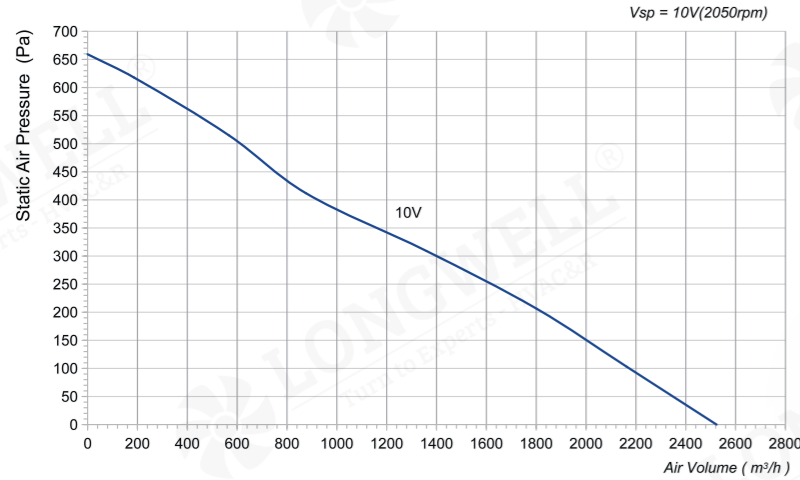


## Technical Specifications

Model	Voltage (V)	Input Power (W)	Current (A)	Air Volume (m³/h)	Static Pressure (Pa)	Speed (RPM)	Noise [dB(A)]
LWBE3G310-092NS-22	230	175	1.3	2678	608	1500	63
LWBE3G310-092NU-28	115	175	2.6	2678	608	1500	63



# LWBE-310 Serie



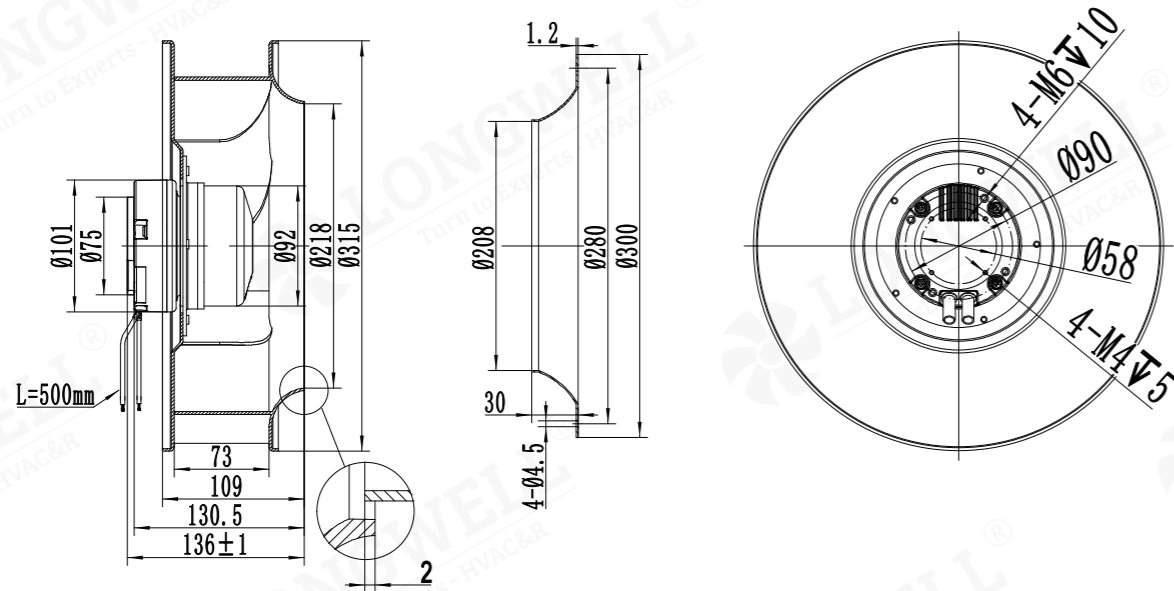
## Product Characteristic

- Impeller Material: Aluminum Alloy
- Direction of Rotation: Clockwise, seen on rotor
- Protection Class: IP55
- Mounting Position: Horizontal or Vertical
- Bearing: Maintenance-free ball bearings
- Protection: Tach output, Locked-Rotor protection Reverse Polarity, Over-voltage protection, Soft Start
- Supply Voltage: 230V, 50/60Hz
- Mode of Operation: S1
- Insulation Class: F
- Operation Temperature: -25°C ~ +60°C
- Technical Features: Control input 0-10VDC/PWM

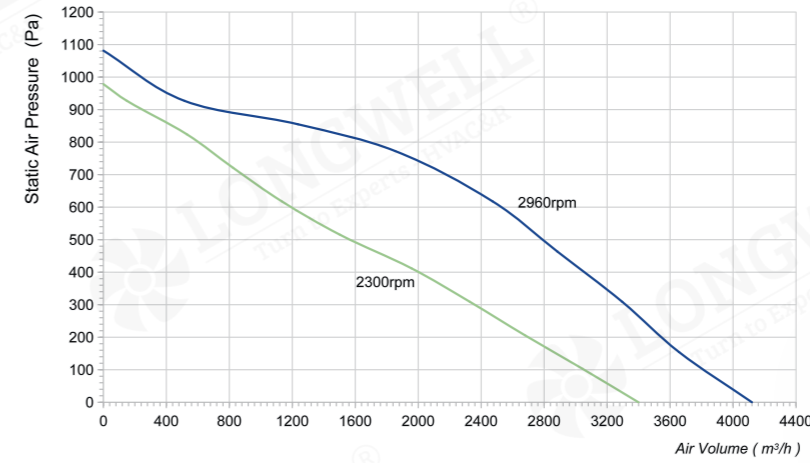


## Technical Specifications

Model	Voltage (V)	Input Power (W)	Current (A)	Air Volume (m³/h)	Static Pressure (Pa)	Speed (RPM)	Noise [dB(A)]
LWBE3G310-092NS-23	230	220	1.55	2524	670	2050	66
LWBE3G310-092NU-29	115	220	3.1	2524	670	2050	66



# LWBE-310 Serie



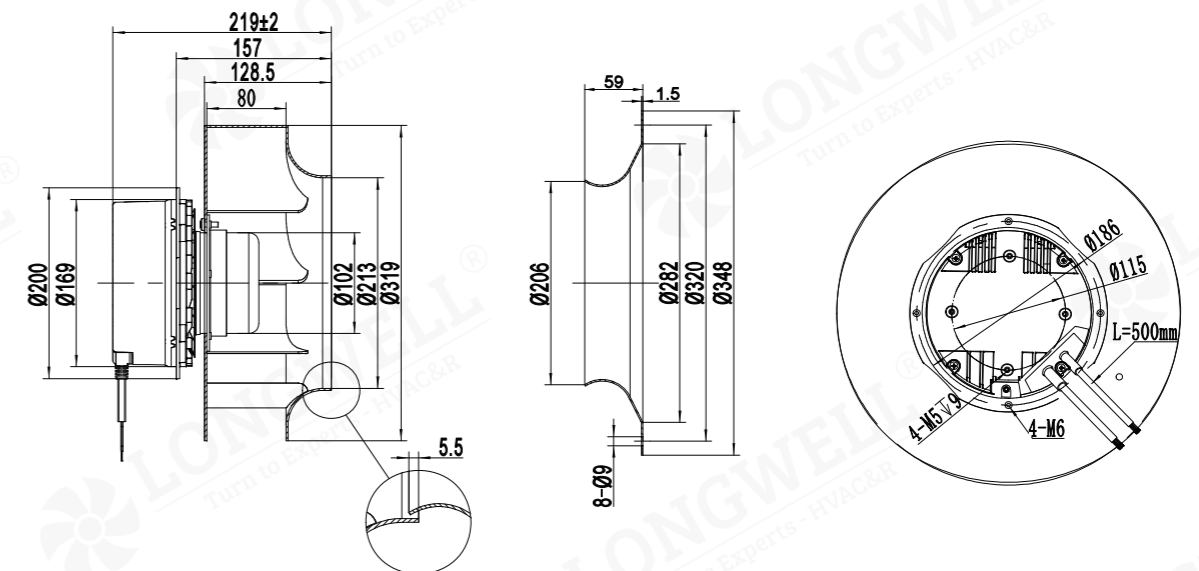
## Product Characteristic

- Impeller Material: Aluminum Alloy
- Direction of Rotation: Clockwise, seen on rotor
- Protection Class: IP55
- Mounting Position: Horizontal or Vertical
- Bearing: Maintenance-free ball bearings
- Protection: Tach output, Locked-Rotor protection Reverse Polarity, Over-voltage protection, Soft Start
- Supply Voltage: 230V, 50/60Hz
- Mode of Operation: S1
- Insulation Class: F
- Operation Temperature: -25°C ~ +60°C
- Technical Features: Control input 0-10VDC/PWM

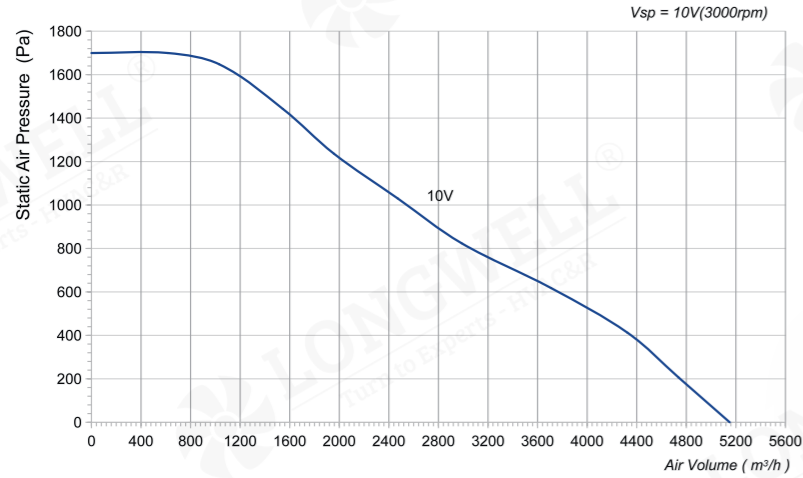


## Technical Specifications

Model	Voltage (V)	Input Power (W)	Current (A)	Air Volume (m³/h)	Static Pressure (Pa)	Speed (RPM)	Noise [dB(A)]
LWBE3G310-102NS-09	230	700	3.1	4120	1082	2960	85
LWBE3G310-102NU-30	115	400	3.6	3399	979	2300	70



# LWBE-310 Serie



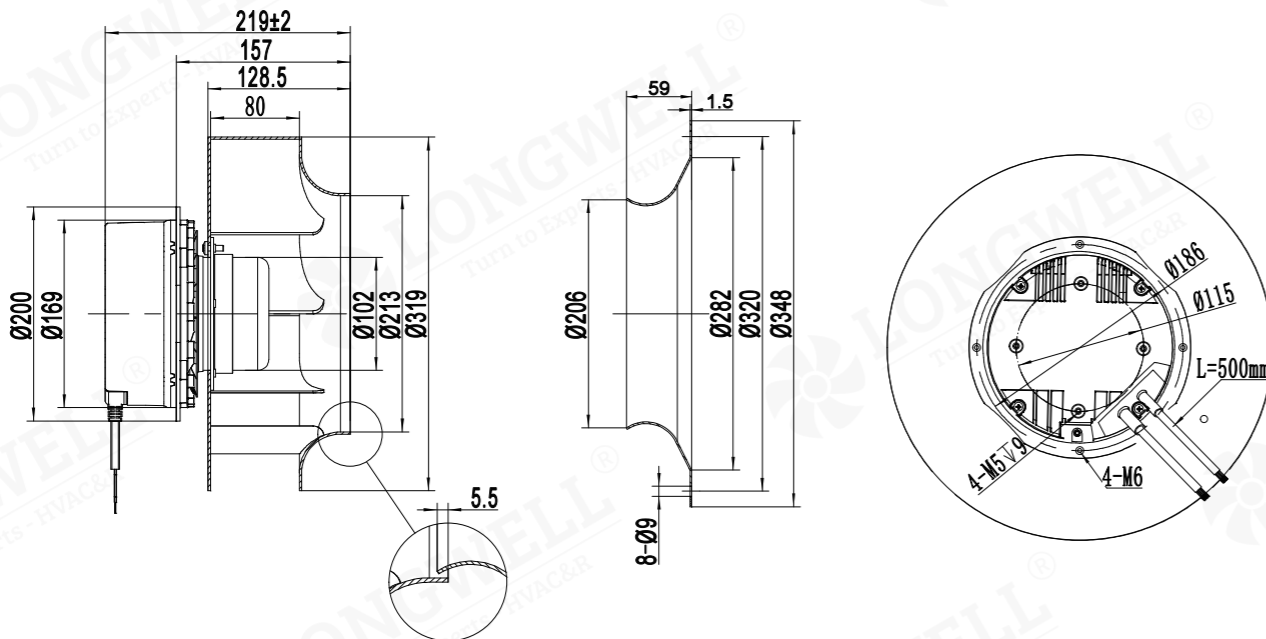
## Product Characteristic

- Impeller Material: Aluminum Alloy
- Direction of Rotation: Clockwise, seen on rotor
- Protection Class: IP55
- Mounting Position: Horizontal or Vertical
- Bearing: Maintenance-free ball bearings
- Protection: Tach output, Locked-Rotor protection Reverse Polarity, Over-voltage protection, Soft Start
- Supply Voltage: 400V, 50/60Hz
- Mode of Operation: S1
- Insulation Class: F
- Operation Temperature: -25°C ~ +60°C
- Technical Features: Control input 0-10VDC/PWM

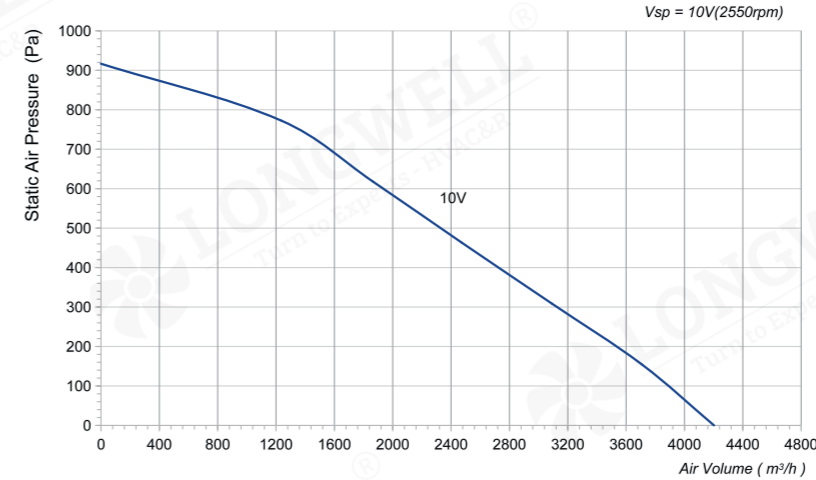


## Technical Specifications

Model	Voltage (V)	Input Power (W)	Current (A)	Air Volume (m³/h)	Static Pressure (Pa)	Speed (RPM)	Noise [dB(A)]
LWBE3G310-102NT-24	400	1100	1.2	5150	1730	3000	85



# LWBE-355 Serie



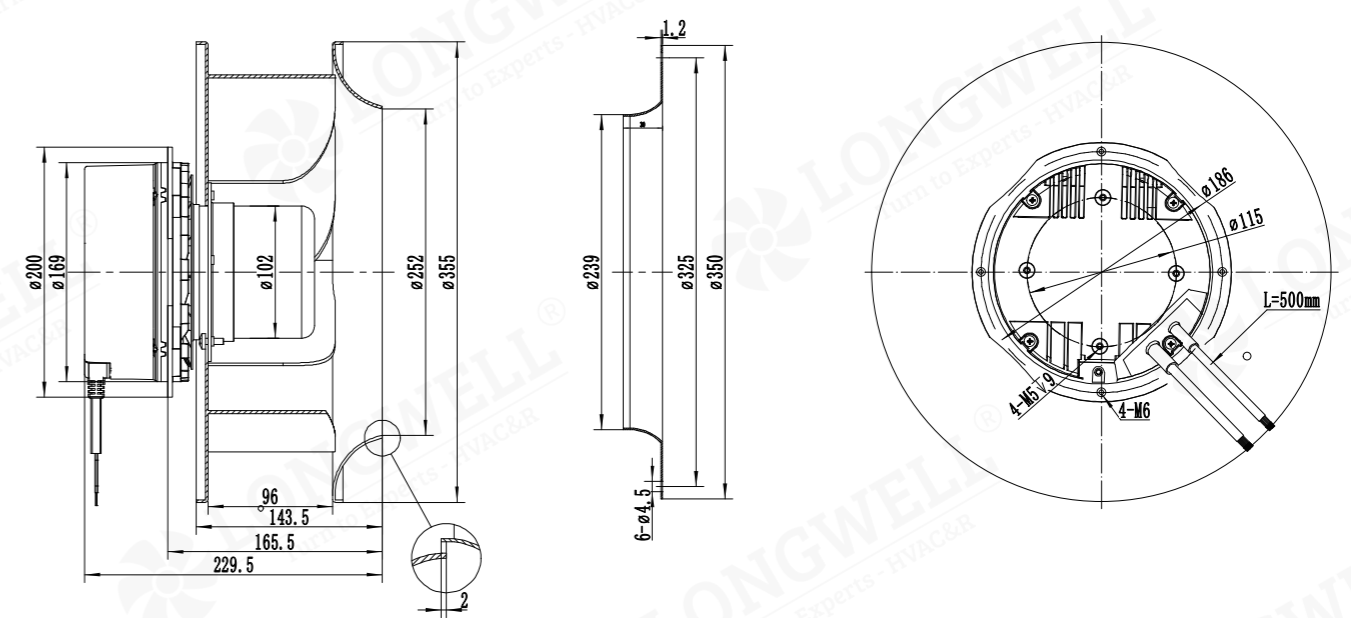
## Product Characteristic

- Impeller Material: Aluminum Alloy
- Direction of Rotation: Clockwise, seen on rotor
- Protection Class: IP55
- Mounting Position: Horizontal or Vertical
- Bearing: Maintenance-free ball bearings
- Protection: Tach output, Locked-Rotor protection Reverse Polarity, Over-voltage protection, Soft Start
- Supply Voltage: 230V, 50/60Hz
- Mode of Operation: S1
- Insulation Class: F
- Operation Temperature: -25°C ~ +60°C
- Technical Features: Control input 0-10VDC/PWM

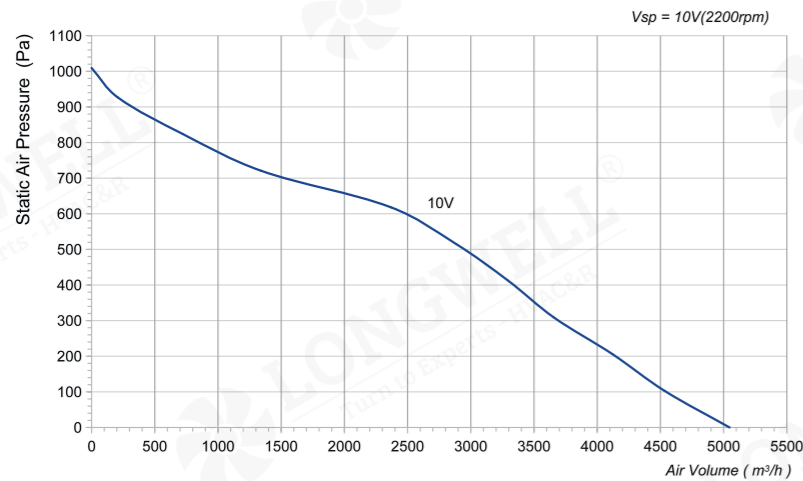


## Technical Specifications

Model	Voltage (V)	Input Power (W)	Current (A)	Air Volume (m³/h)	Static Pressure (Pa)	Speed (RPM)	Noise [dB(A)]
LWBE3G355-102NS-24	230	520	3.1	4172	906	2550	75



# LWBE-355 Serise



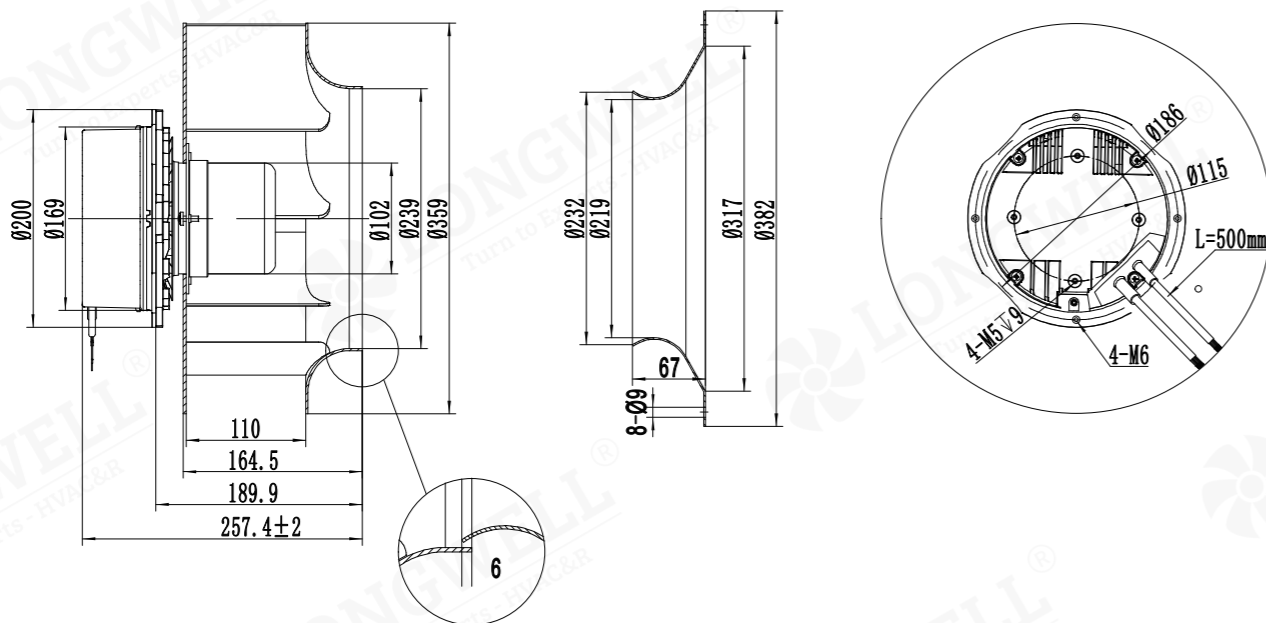
## Product Characteristic

- Impeller Material: Aluminum Alloy
- Direction of Rotation: Clockwise, seen on rotor
- Protection Class: IP55
- Mounting Position: Horizontal or Vertical
- Bearing: Maintenance-free ball bearings
- Protection: Tach output, Locked-Rotor protection Reverse Polarity, Over-voltage protection, Soft Start
- Supply Voltage: 230V, 50/60Hz
- Mode of Operation: S1
- Insulation Class: F
- Operation Temperature: -25°C ~ +60°C
- Technical Features: Control input 0-10VDC/PWM

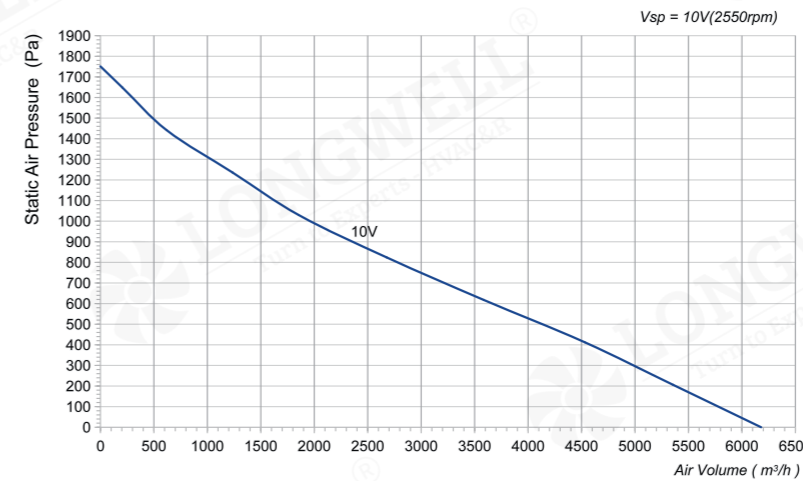


## Technical Specifications

Model	Voltage (V)	Input Power (W)	Current (A)	Air Volume (m³/h)	Static Pressure (Pa)	Speed (RPM)	Noise [dB(A)]
LWBE3G355-102NS-11	230	700	3.1	5047	1009	2200	85



# LWBE-355 Serise



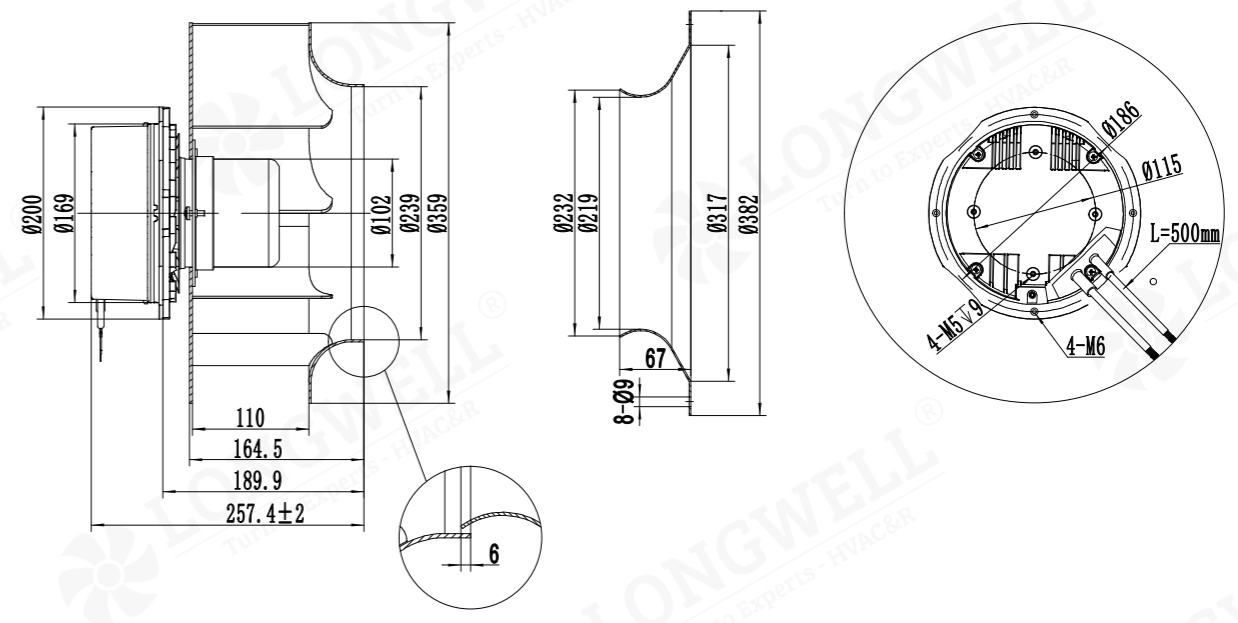
## Product Characteristic

- Impeller Material: Aluminum Alloy
- Direction of Rotation: Clockwise, seen on rotor
- Protection Class: IP55
- Mounting Position: Horizontal or Vertical
- Bearing: Maintenance-free ball bearings
- Protection: Tach output, Locked-Rotor protection Reverse Polarity, Over-voltage protection, Soft Start
- Supply Voltage: 400V, 50/60Hz
- Mode of Operation: S1
- Insulation Class: F
- Operation Temperature: -25°C ~ +60°C
- Technical Features: Control input 0-10VDC/PWM

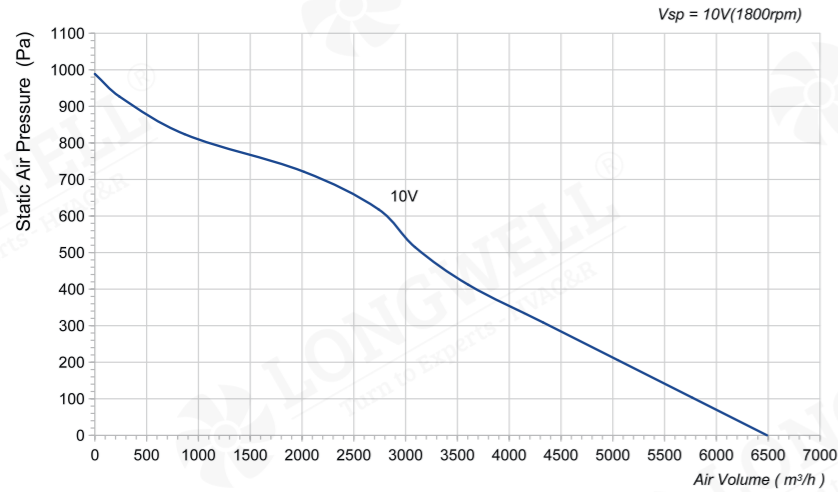


## Technical Specifications

Model	Voltage (V)	Input Power (W)	Current (A)	Air Volume (m³/h)	Static Pressure (Pa)	Speed (RPM)	Noise [dB(A)]
LWBE3G355-102NT-25	400	1100	1.76	6180	1751	2550	86



# LWBE-400 Serie



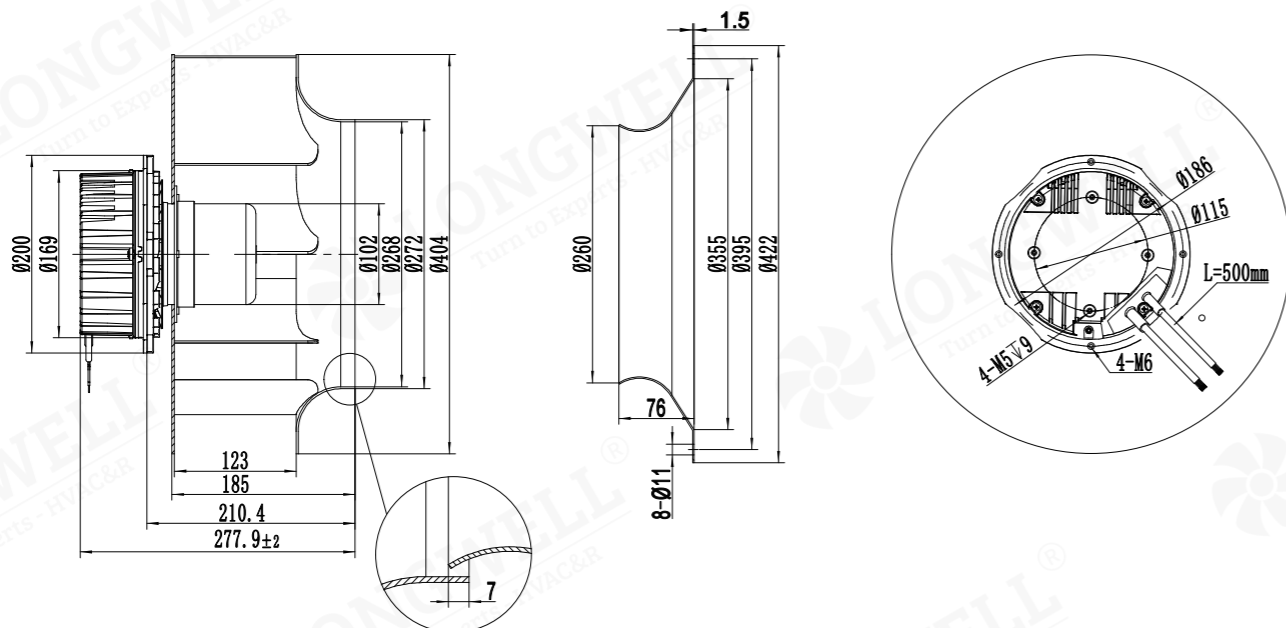
## Product Characteristic

- Impeller Material: Aluminum Alloy
- Direction of Rotation: Clockwise, seen on rotor
- Protection Class: IP55
- Mounting Position: Horizontal or Vertical
- Bearing: Maintenance-free ball bearings
- Protection: Tach output, Locked-Rotor protection Reverse Polarity, Over-voltage protection, Soft Start
- Supply Voltage: 230V, 50/60Hz
- Mode of Operation: S1
- Insulation Class: F
- Operation Temperature: -25°C ~ +60°C
- Technical Features: Control input 0-10VDC/PWM

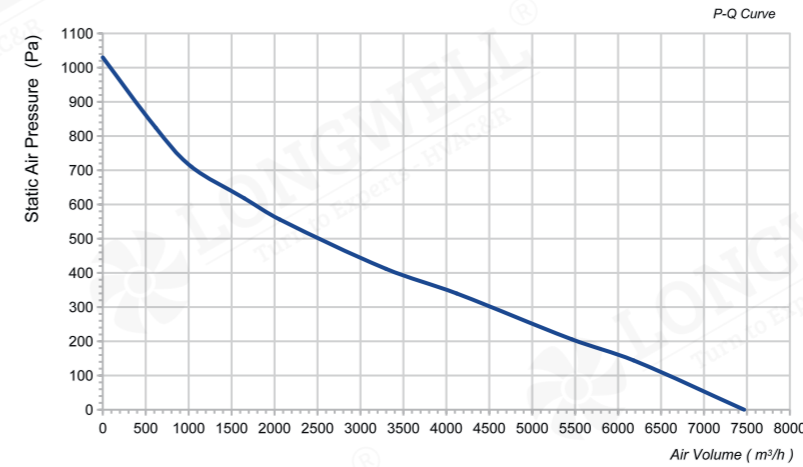


## Technical Specifications

Model	Voltage (V)	Input Power (W)	Current (A)	Air Volume (m³/h)	Static Pressure (Pa)	Speed (RPM)	Noise [dB(A)]
LWBE3G400-102NS-11	230	700	3.1	6489	979	1800	85



# LWBE-450 Serie



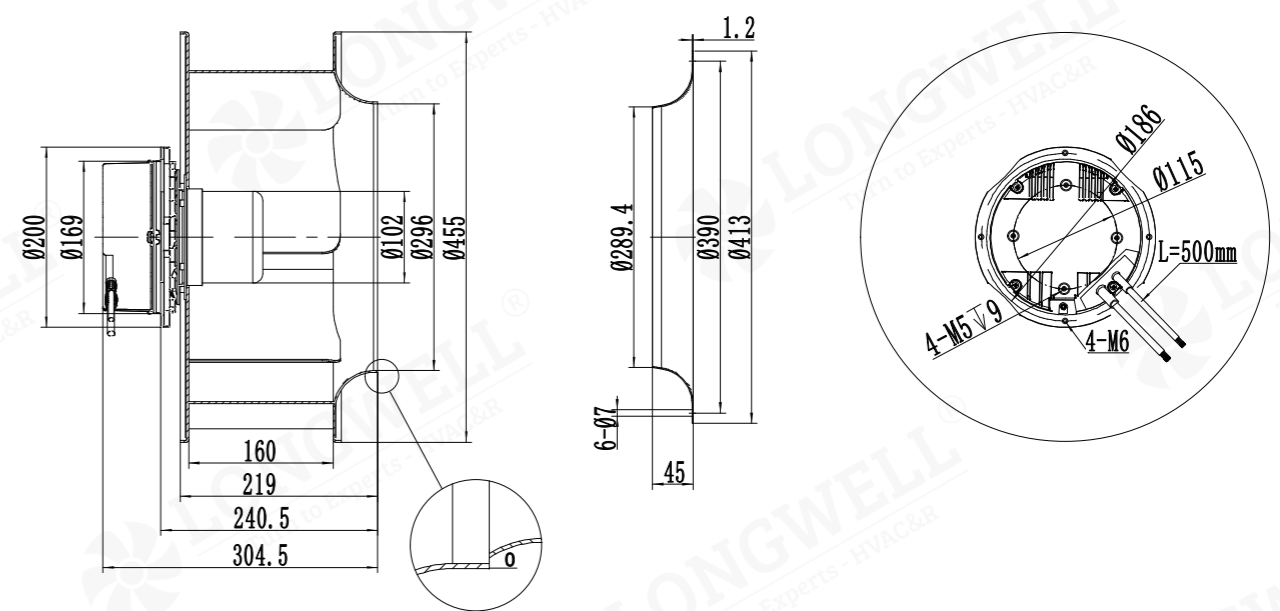
## Product Characteristic

- Impeller Material: Aluminum Alloy
- Direction of Rotation: Clockwise, seen on rotor
- Protection Class: IP55
- Mounting Position: Horizontal or Vertical
- Bearing: Maintenance-free ball bearings
- Protection: Tach output, Locked-Rotor protection Reverse Polarity, Over-voltage protection, Soft Start
- Supply Voltage: 230V, 50/60Hz
- Mode of Operation: S1
- Insulation Class: F
- Operation Temperature: -25°C ~ +60°C
- Technical Features: Control input 0-10VDC/PWM

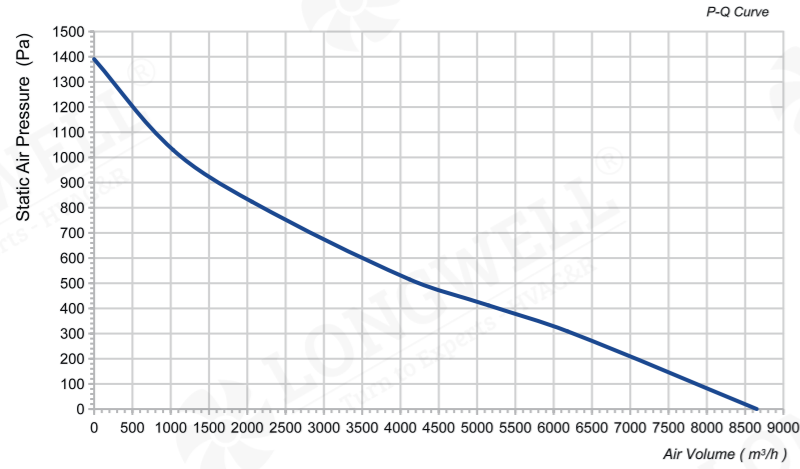


## Technical Specifications

Model	Voltage (V)	Input Power (W)	Current (A)	Air Volume (m³/h)	Static Pressure (Pa)	Speed (RPM)	Noise [dB(A)]
LWBE3G450-102NS-19	230	700	3.1	7468	1030	1450	70



# LWBE-450 Serie



## Product Characteristic

- Impeller Material: Aluminum Alloy
- Direction of Rotation: Clockwise, seen on rotor
- Protection Class: IP55
- Mounting Position: Horizontal or Vertical
- Bearing: Maintenance-free ball bearings
- Protection: Tach output, Locked-Rotor protection Reverse Polarity, Over-voltage protection, Soft Start
- Supply Voltage: 400V, 50/60Hz
- Mode of Operation: S1
- Insulation Class: F
- Operation Temperature: -25°C ~ +60°C
- Technical Features: Control input 0-10VDC/PWM



## Technical Specifications

Model	Voltage (V)	Input Power (W)	Current (A)	Air Volume (m³/h)	Static Pressure (Pa)	Speed (RPM)	Noise [dB(A)]
LWBE3G450-102NT-20	380	1100	1.8	8652	1391	1500	85

