

Website

Ningbo Longwell Electric Technology Co.,Ltd

TEL:+86 (574) 6218 9863

Skype : Brucehappy1

Fax:+86 18358274663

Whatsapp:+0086 18358274663

E-mail:sales@zjlongwell.com

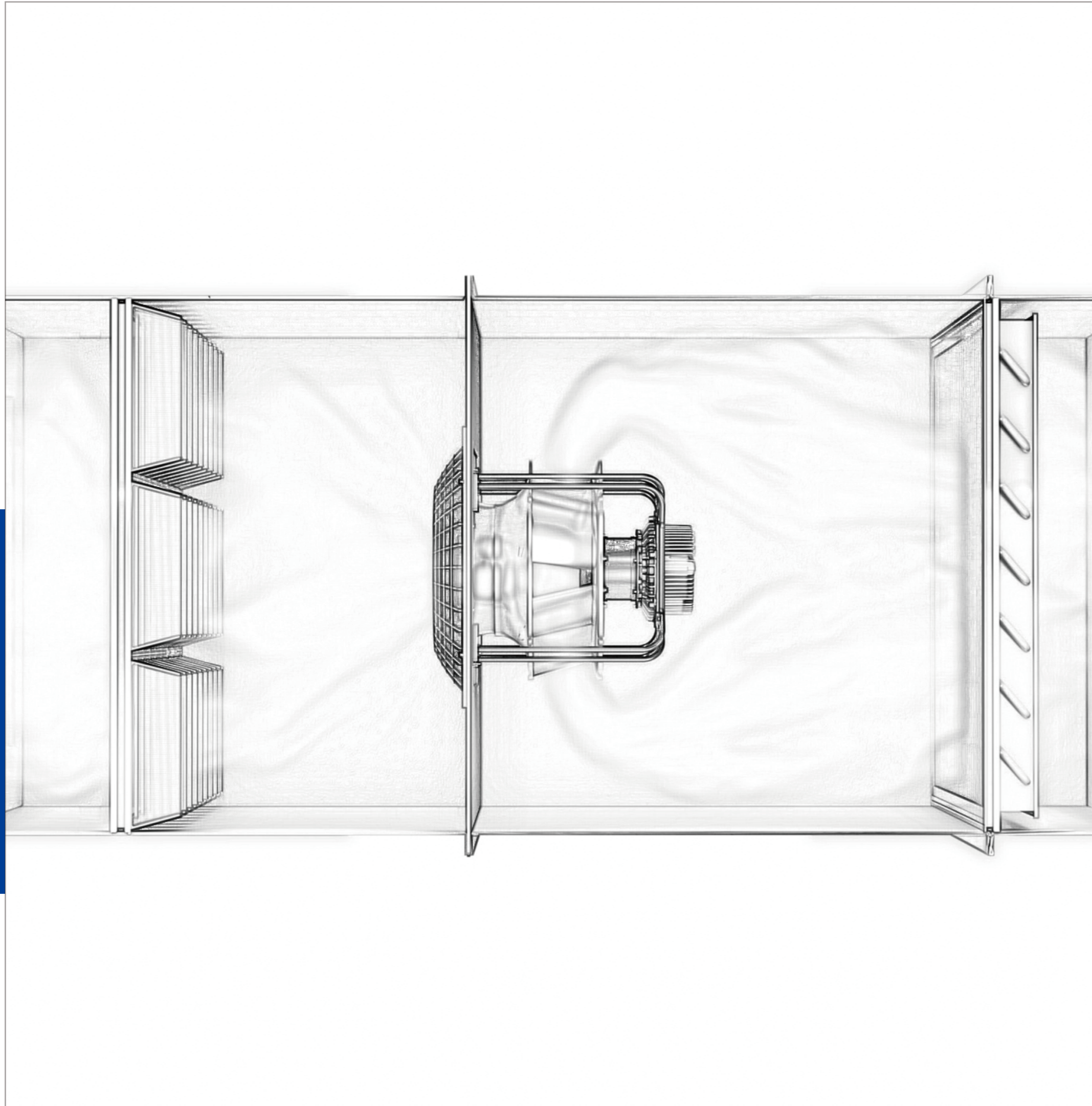
Web:https://www.longwellfans.com/

Address:#NO.100 ,South of Xuxiang River ,Ditang District, Yuyao,Ningbo
Zhejiang Province,China 315400

***Professional HVAC Fan
& Motors Manufacturer***

—— EC Plug Fan

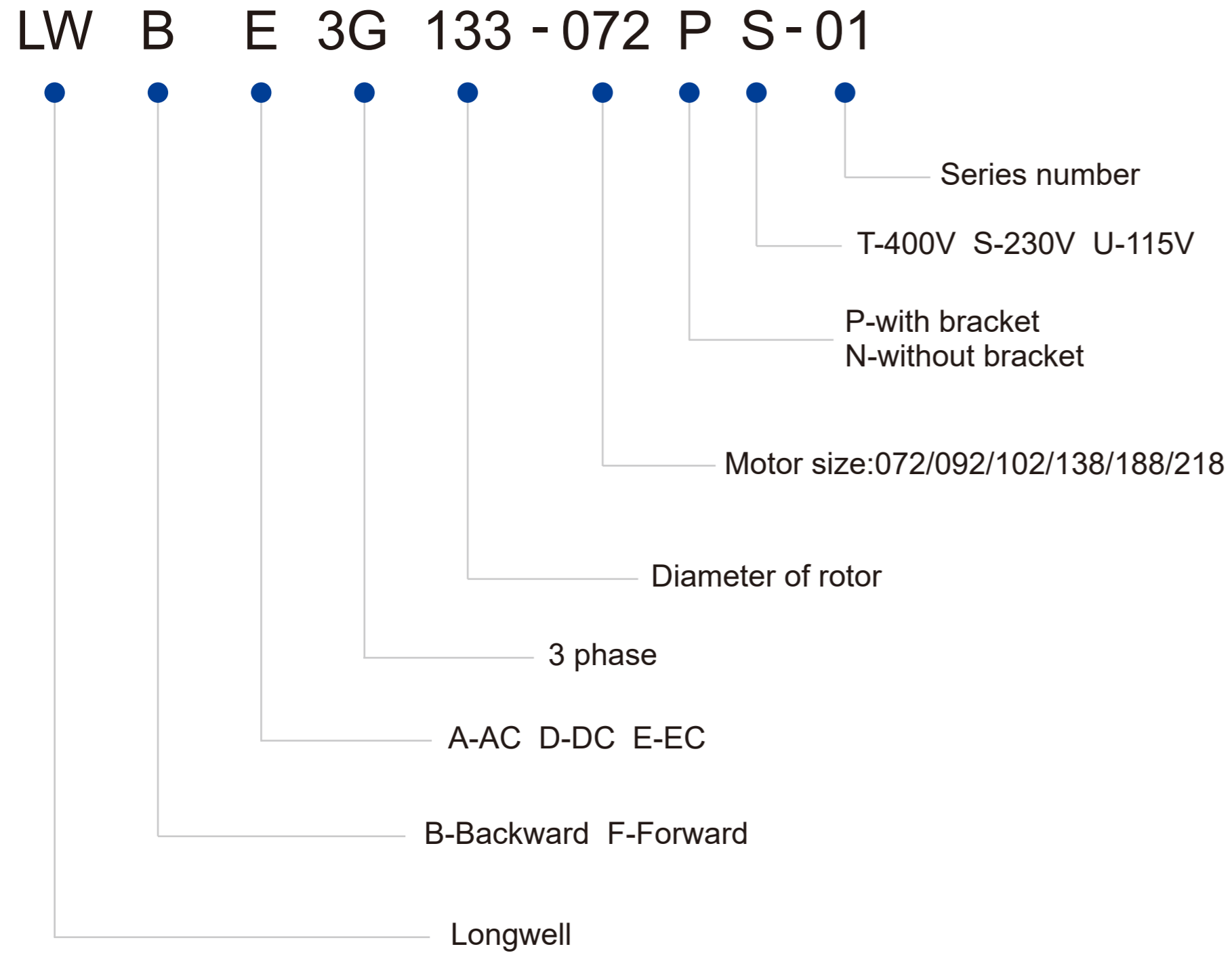
Ningbo Longwell Electric Technology CO, LTD



CATALOGUE

01	Type Code
02-36	EC Fan with Bracket(Φ 133- Φ 250)
37-96	EC Fan with Bracket(Φ 280- Φ 400)
97-136	EC Fan with Bracket(Φ 450- Φ 630)

Type Code



EC Fan with Bracket

Professional HVAC Fan & Motors Manufacturer



LWBE-133 Series



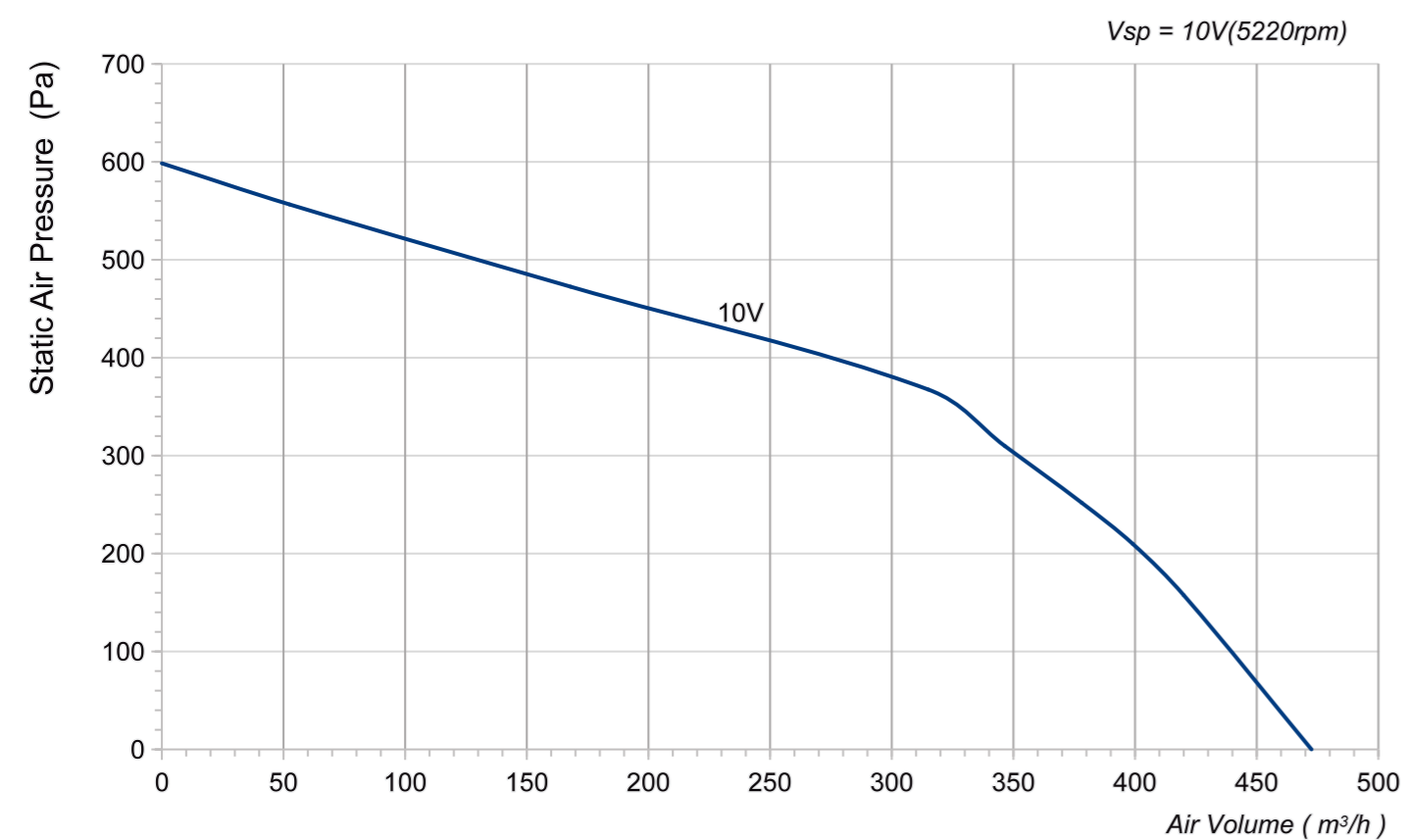
Product Characteristic

- Impeller Material: Plastic PA66
- Supply Voltage: 230V/115V,50/60Hz
- Mode Of Operation: S1
- Protection Class: IP54
- Insulation Class: F
- Operation Temperature: -25°C ~ +60°C
- Technical Feature: Control input 0-10VDC/PWM, Tech output, Locked-Rotor protection, Reverse Polarity Over-voltage protection, Soft Start Protection.

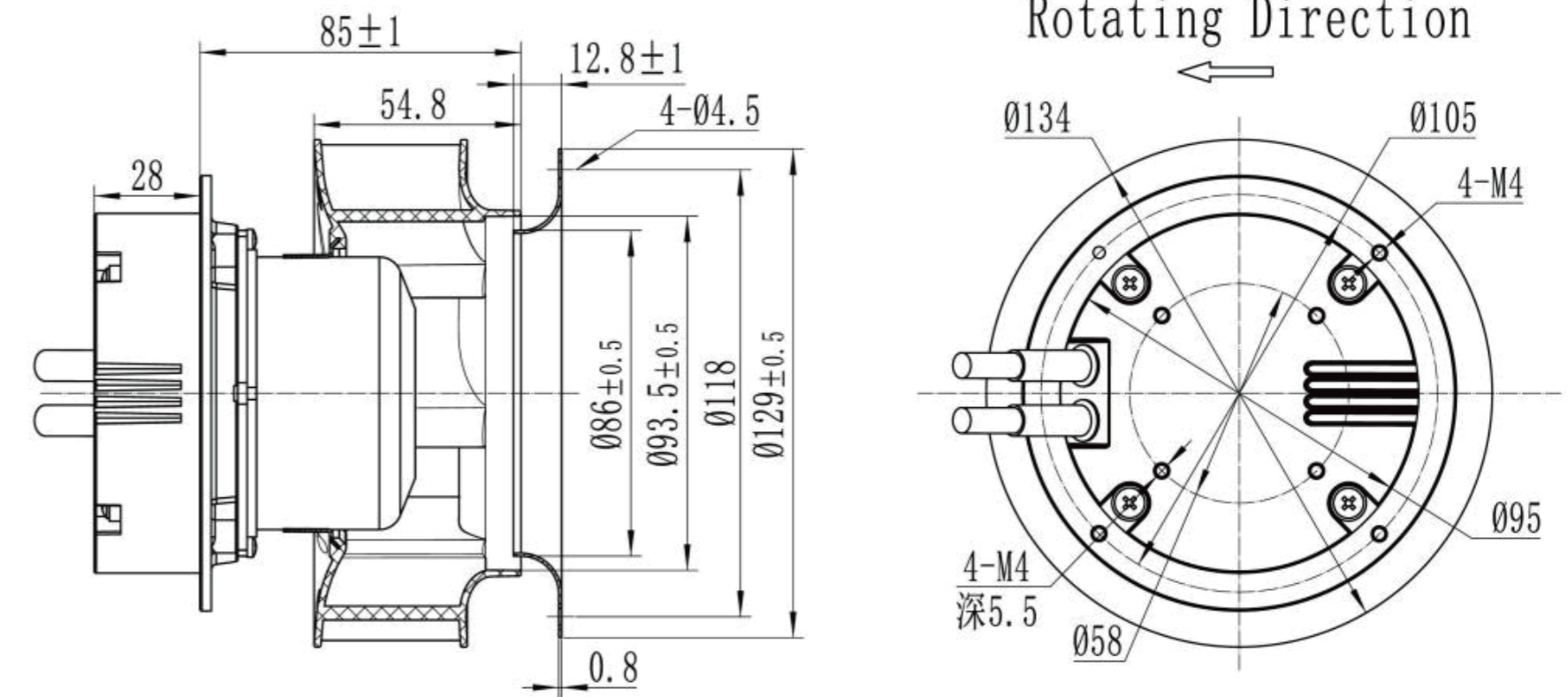


Technical Specifications

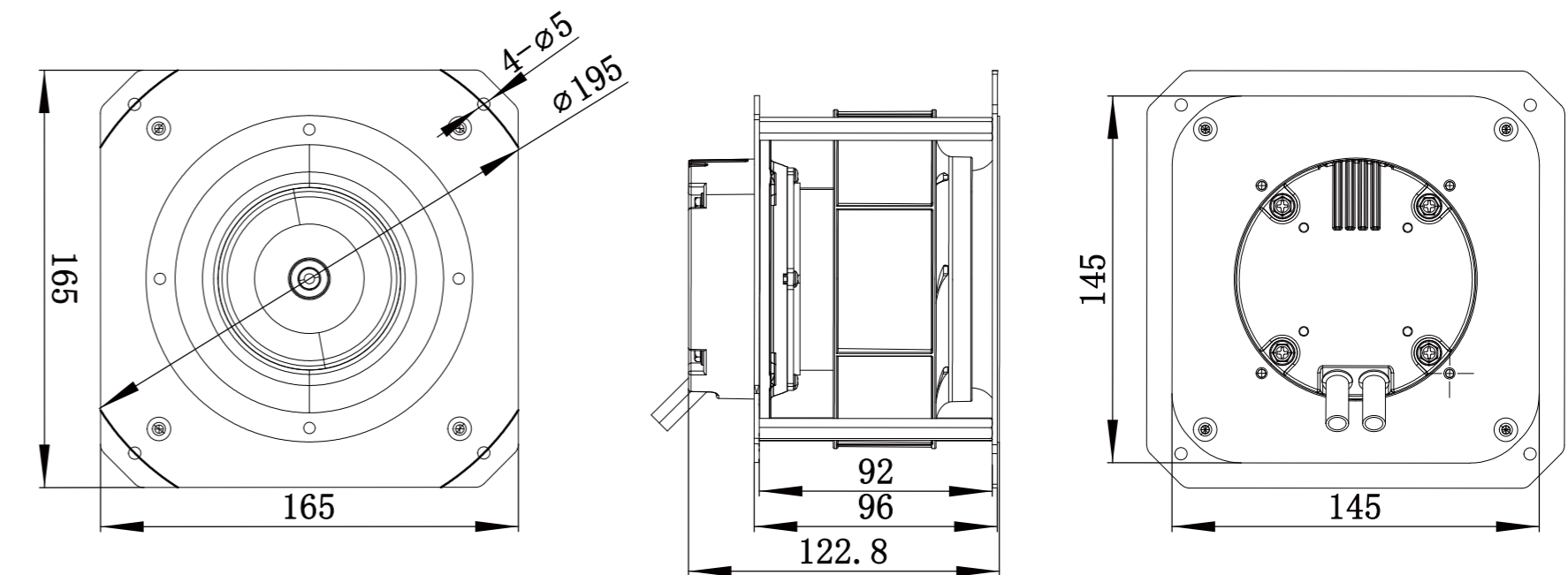
Model	Voltage (V)	Input Power (W)	Current (A)	Air Volume (m³/h)	Static Pressure (Pa)	Speed (RPM)	Noise [dB(A)]
LWBE3G133-072PS-06	230	72	/	473	609	5220	/



LWBE3G133-072NS-06 (without bracket)



LWBE3G133-072PS-06 (with bracket)



LWBE-155 Series



Product Characteristic

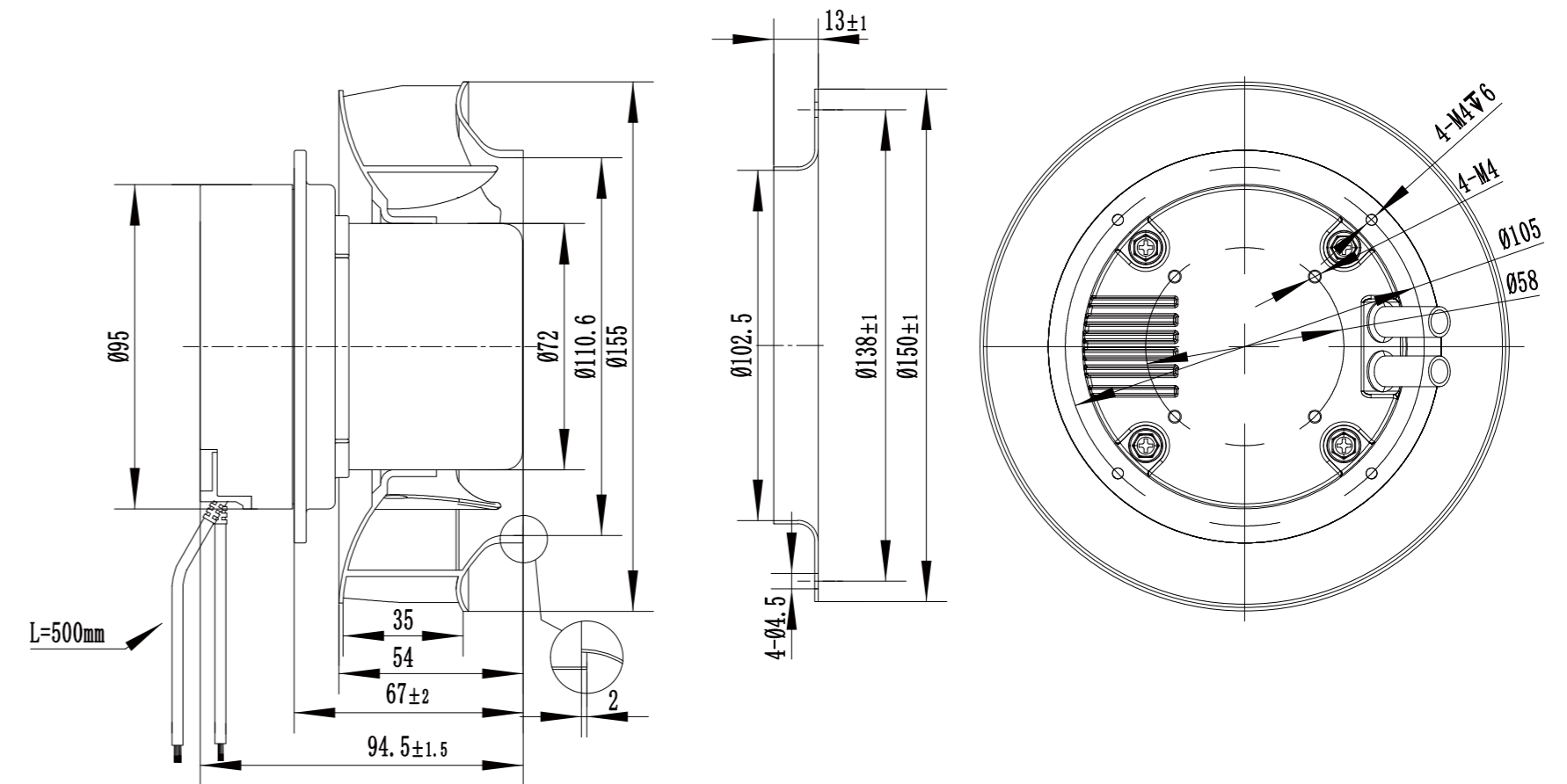
- Impeller Material: Plastic PA66
- Supply Voltage: 230V/115V,50/60Hz
- Mode Of Operation: S1
- Protection Class: IP44
- Insulation Class: F
- Operation Temperature: -25°C ~ +60°C
- Technical Feature: Control input 0-10VDC/PWM, Tech output, Locked-Rotor protection, Reverse Polarity Over-voltage protection, Soft Start Protection.



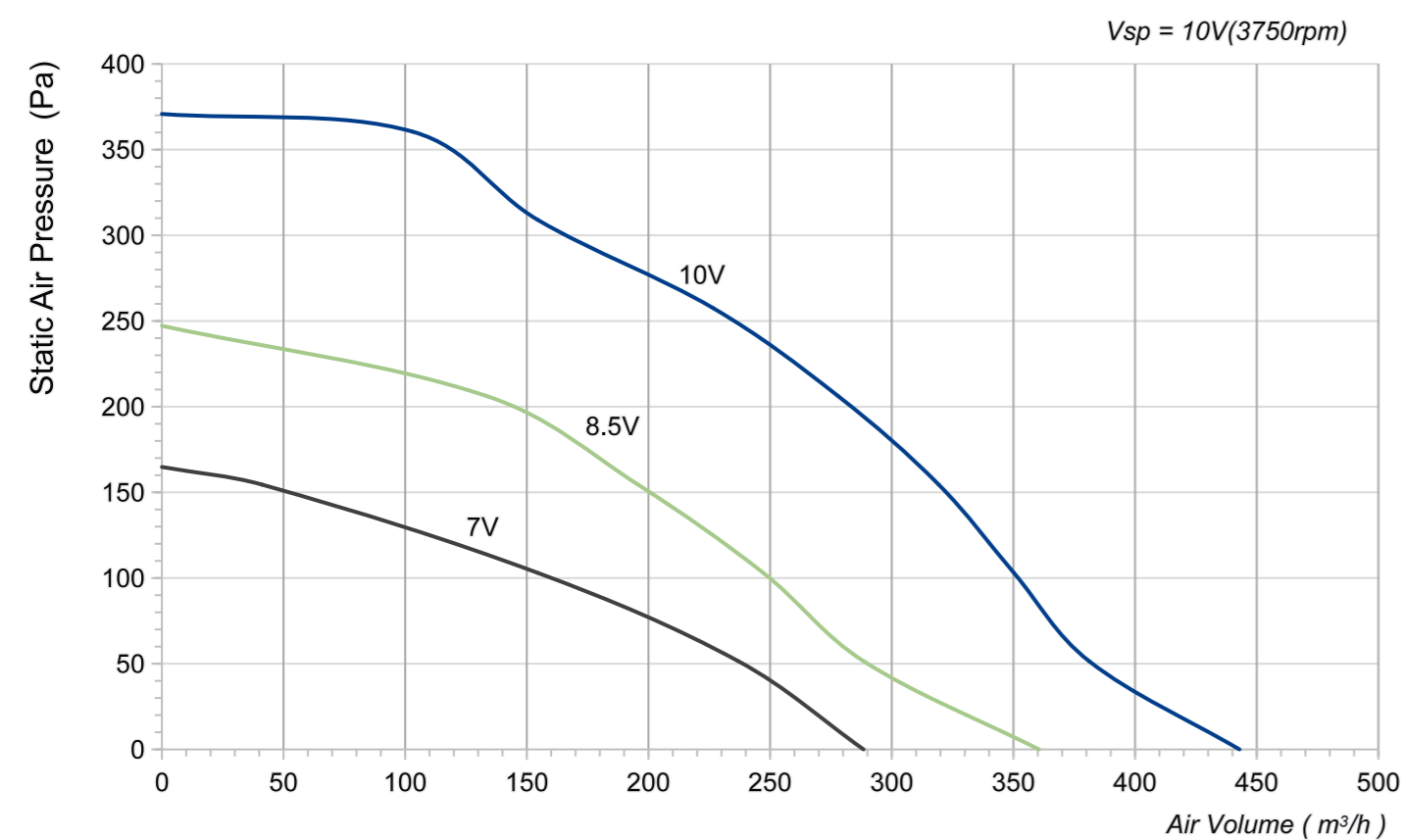
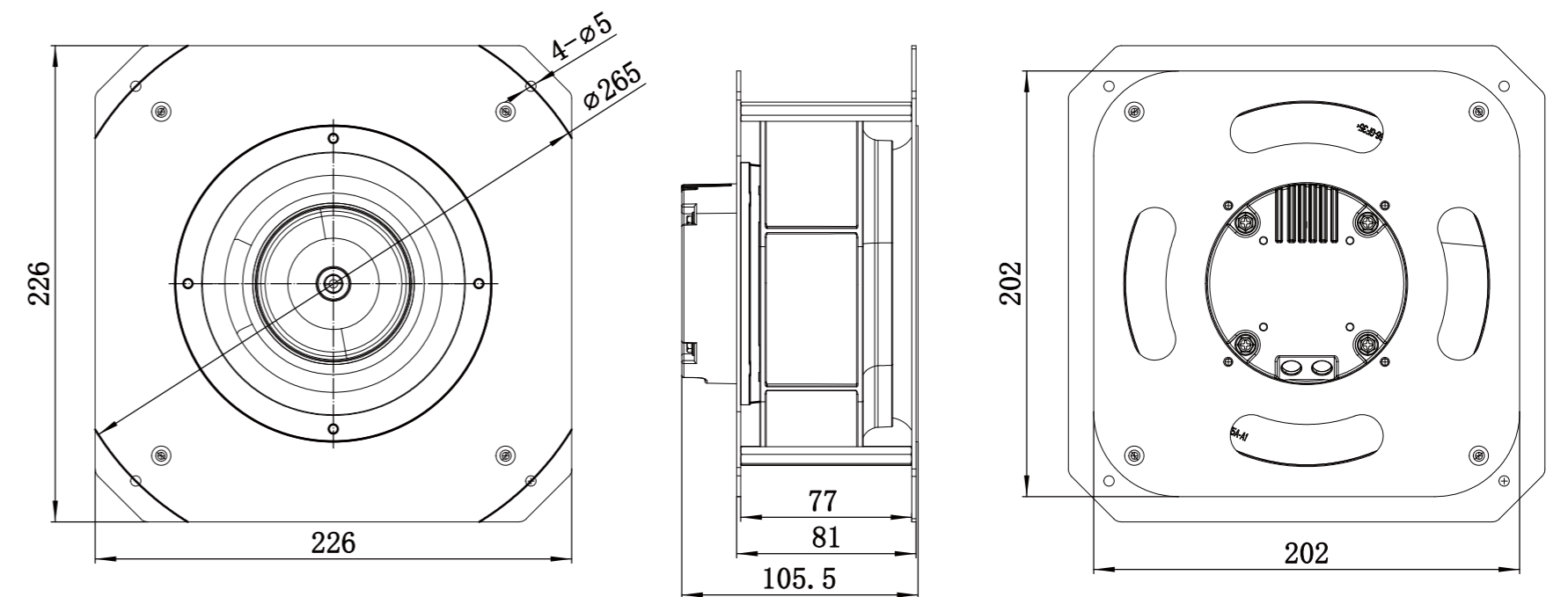
Technical Specifications

Model	Voltage (V)	Input Power (W)	Current (A)	Air Volume (m³/h)	Static Pressure (Pa)	Speed (RPM)	Noise [dB(A)]
LWBE3G155-072PS-01	230	40	0.3	433	371	3750	63

LWBE3G155-072NS-02 (without bracket)



LWBE3G155-072PS-01 (with bracket)



LWBE-175 Series



Product Characteristic

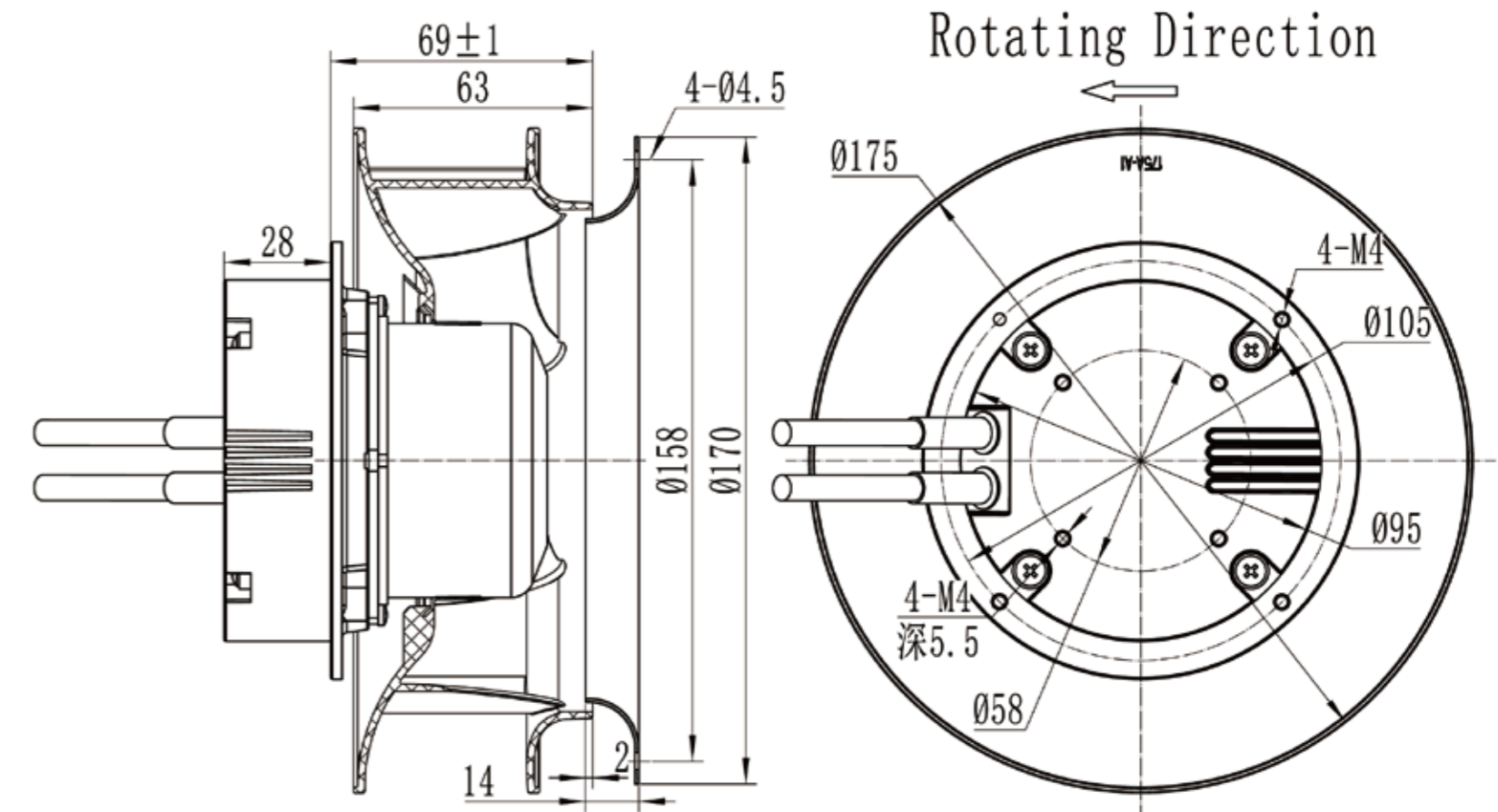
- Impeller Material: Plastic PA66
- Supply Voltage: 230V/115V,50/60Hz
- Mode Of Operation: S1
- Protection Class: IP54
- Insulation Class: F
- Operation Temperature: -25°C ~ +60°C
- Technical Feature: Control input 0-10VDC/PWM, Tech output, Locked-Rotor protection, Reverse Polarity Over-voltage protection, Soft Start Protection.



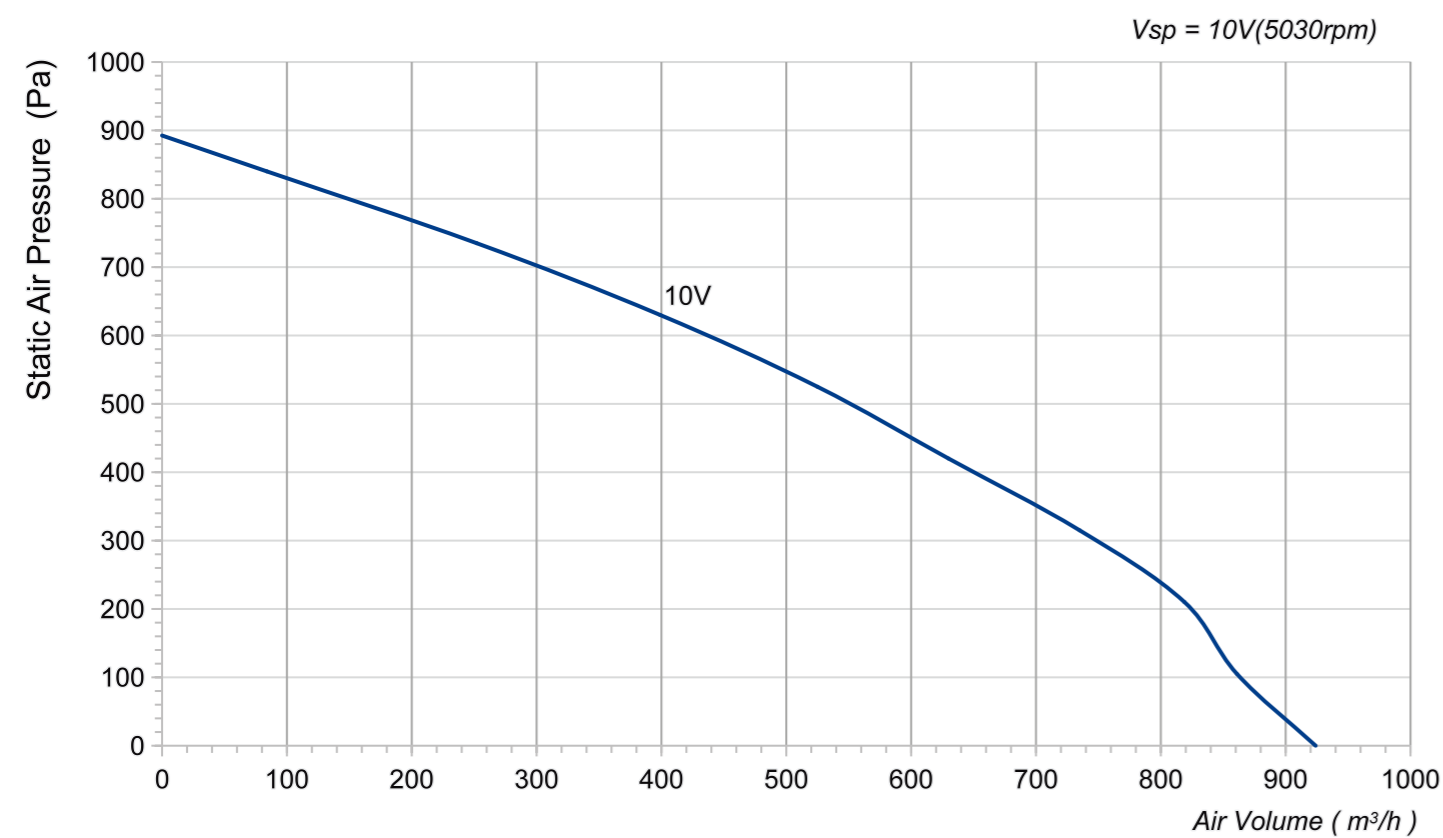
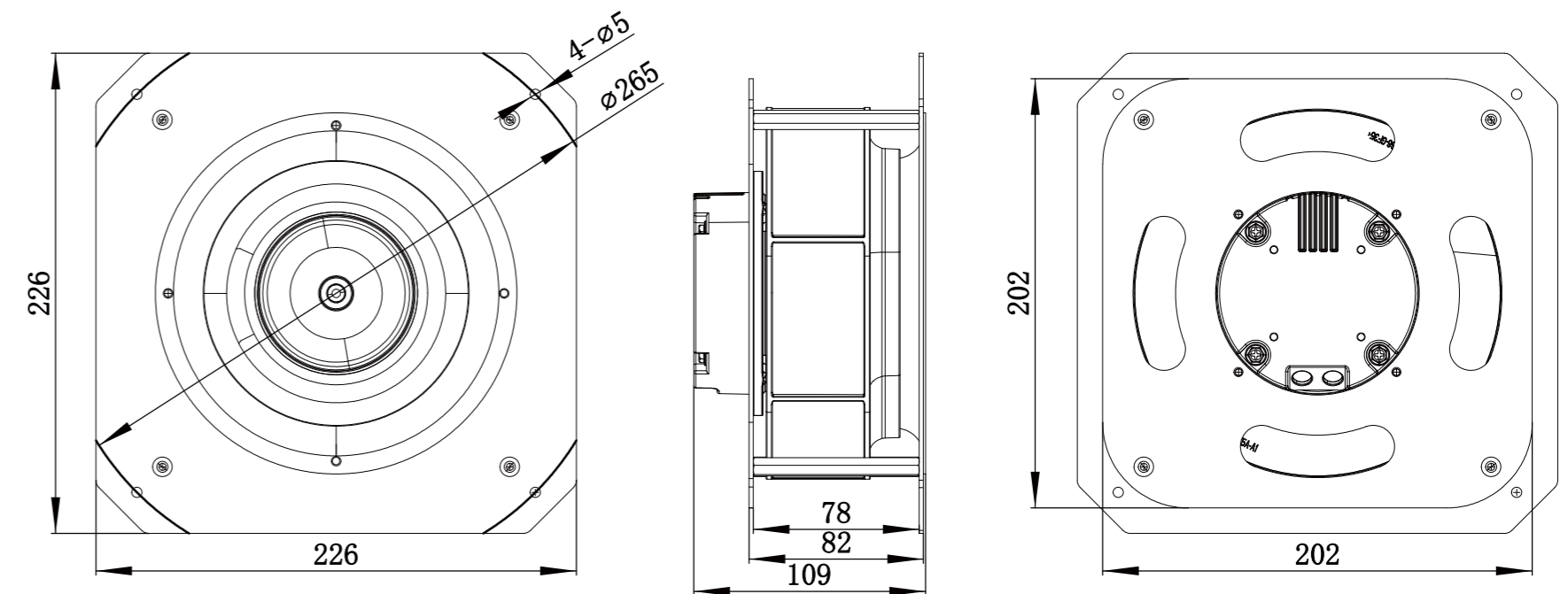
Technical Specifications

Model	Voltage (V)	Input Power (W)	Current (A)	Air Volume (m³/h)	Static Pressure (Pa)	Speed (RPM)	Noise [dB(A)]
LWBE3G175-072PS-10	230	133	/	924	893	5030	/

LWBE3G175-072NS-10 (without bracket)



LWBE3G175-072PS-10 (with bracket)



LWBE-190 Series



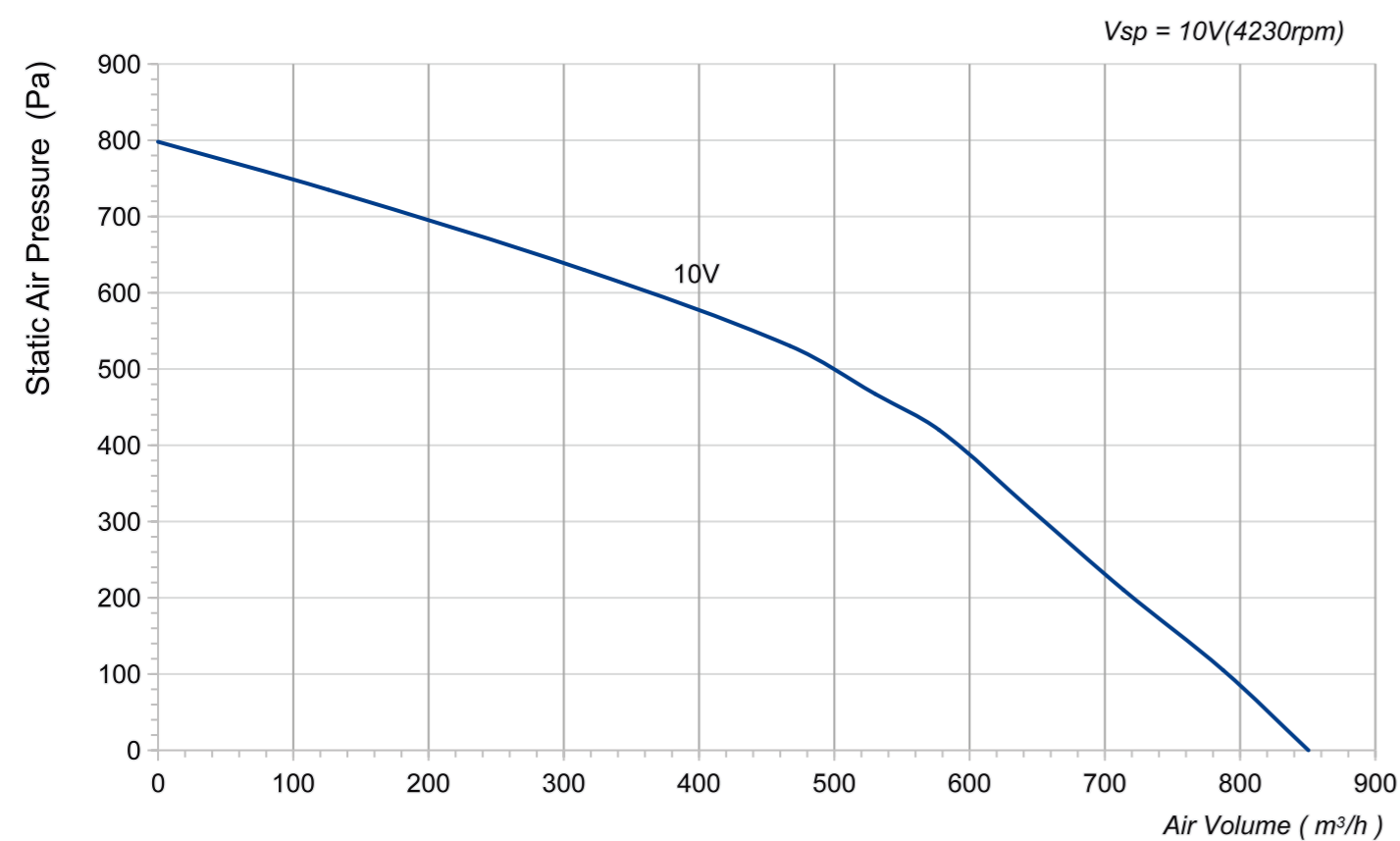
Product Characteristic

- Impeller Material: Plastic PA66
- Supply Voltage: 230V/115V,50/60Hz
- Mode Of Operation: S1
- Protection Class: IP54
- Insulation Class: F
- Operation Temperature: -25°C ~ +60°C
- Technical Feature: Control input 0-10VDC/PWM, Tech output, Locked-Rotor protection, Reverse Polarity Over-voltage protection, Soft Start Protection.

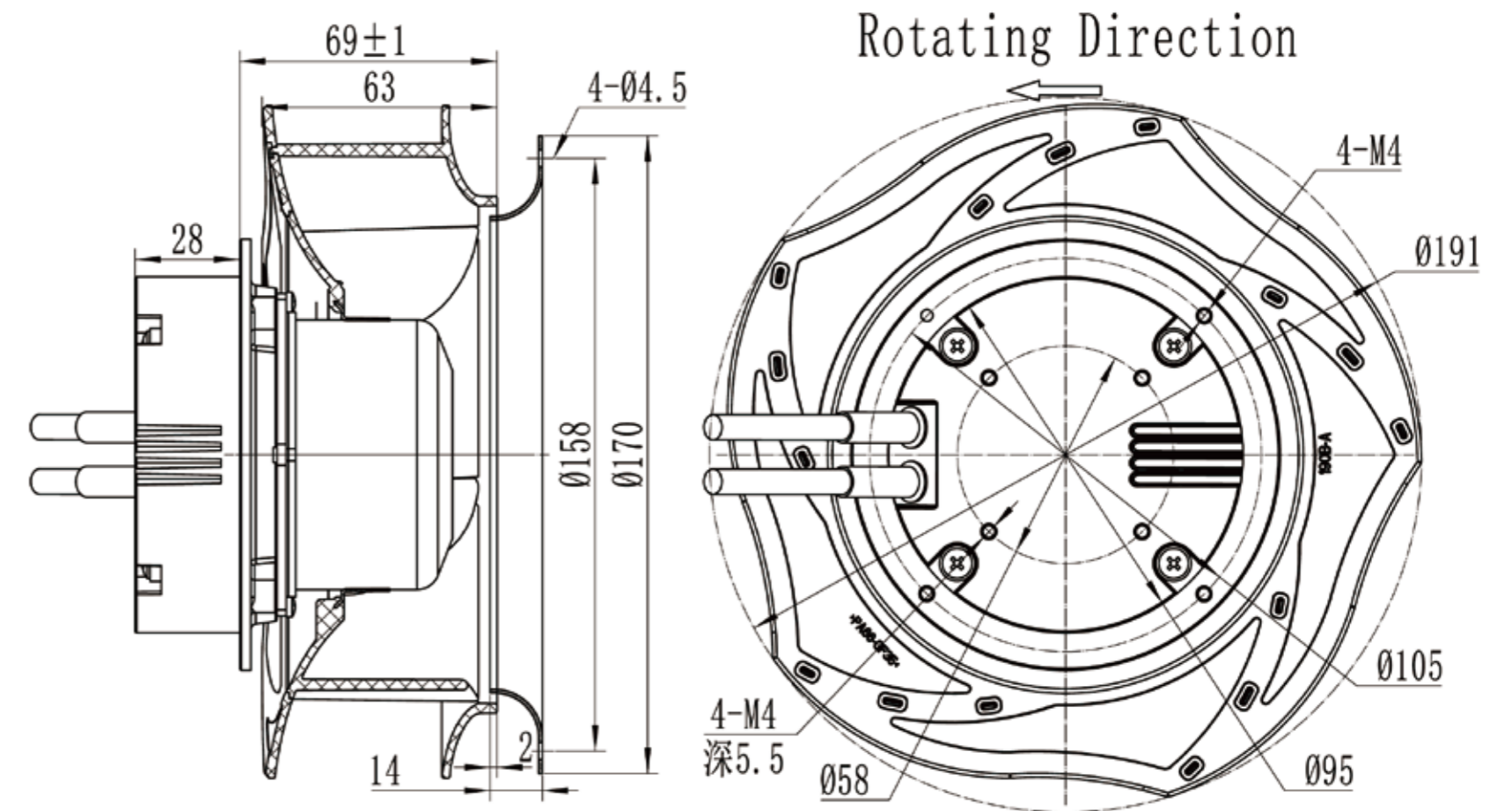


Technical Specifications

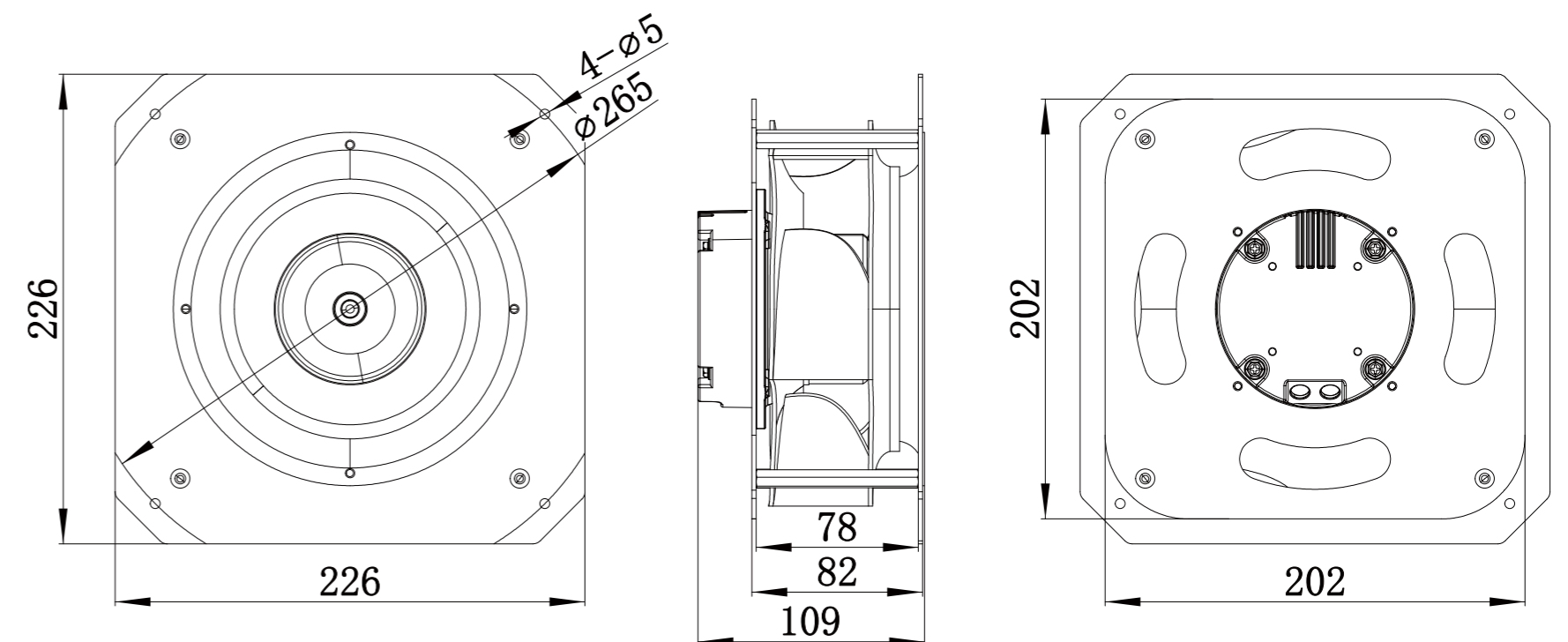
Model	Voltage (V)	Input Power (W)	Current (A)	Air Volume (m³/h)	Static Pressure (Pa)	Speed (RPM)	Noise [dB(A)]
LWBE3G190-072PS-12	230	104	/	851	798	4230	/



LWBE3G190-072NS-16 (without bracket)



LWBE3G190-072PS-12 (with bracket)



LWBE-220 Series



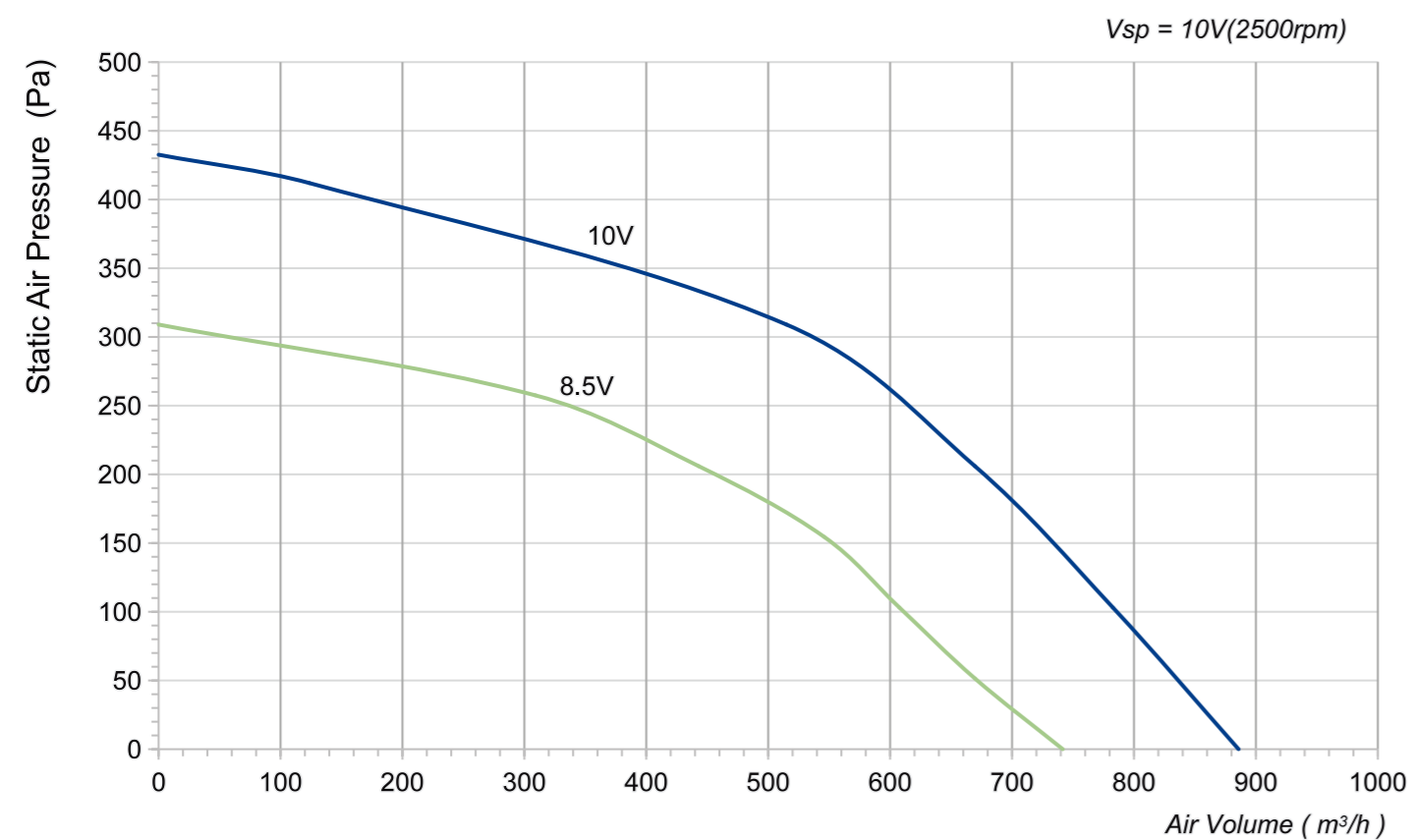
Product Characteristic

- Impeller Material: Plastic PA66
- Supply Voltage: 230V/115V,50/60Hz
- Mode Of Operation: S1
- Protection Class: IP44
- Insulation Class: B
- Operation Temperature: -25°C ~ +60°C
- Technical Feature: Control input 0-10VDC/PWM, Tech output, Locked-Rotor protection, Reverse Polarity Over-voltage protection, Soft Start Protection.

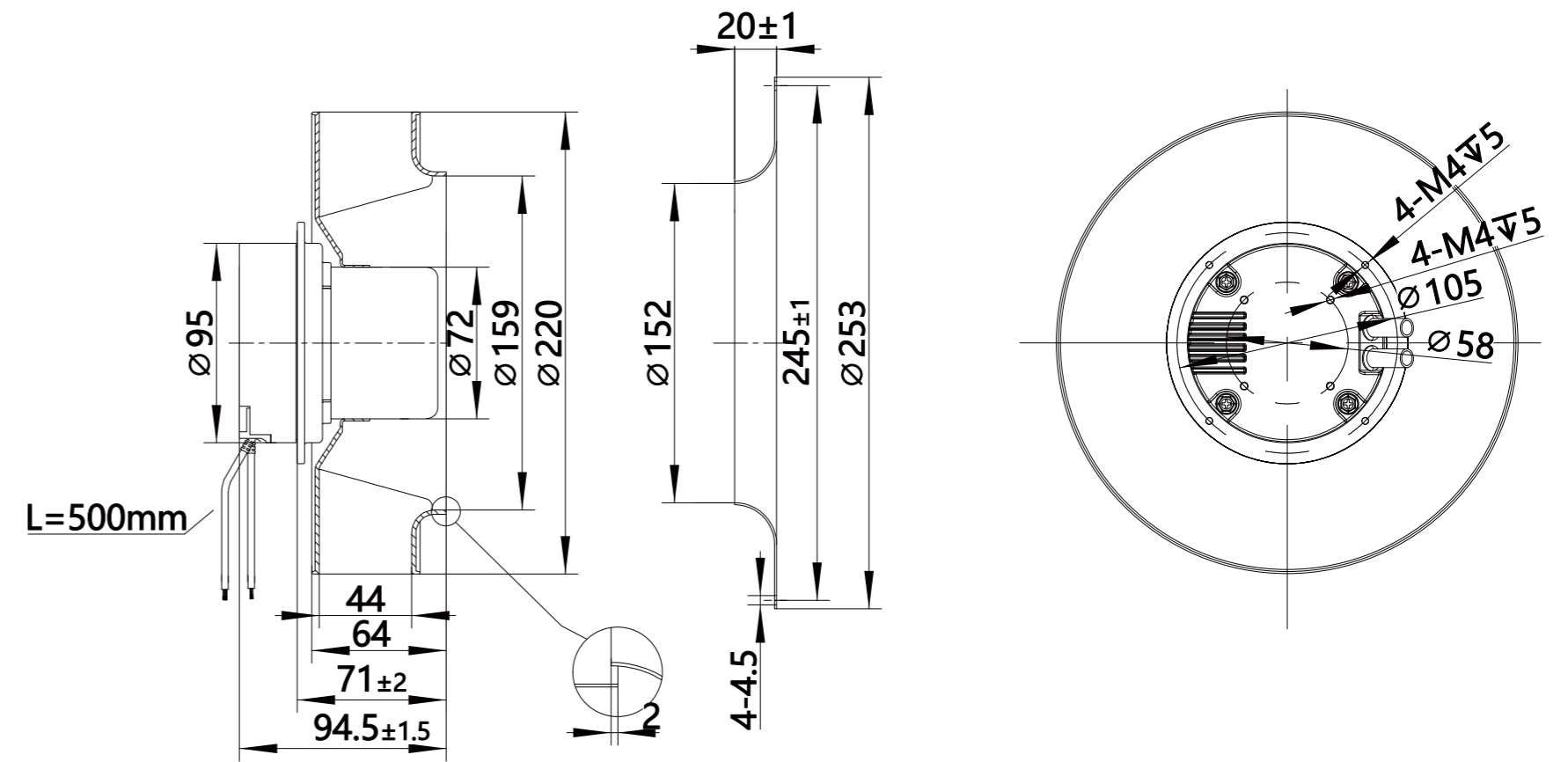


Technical Specifications

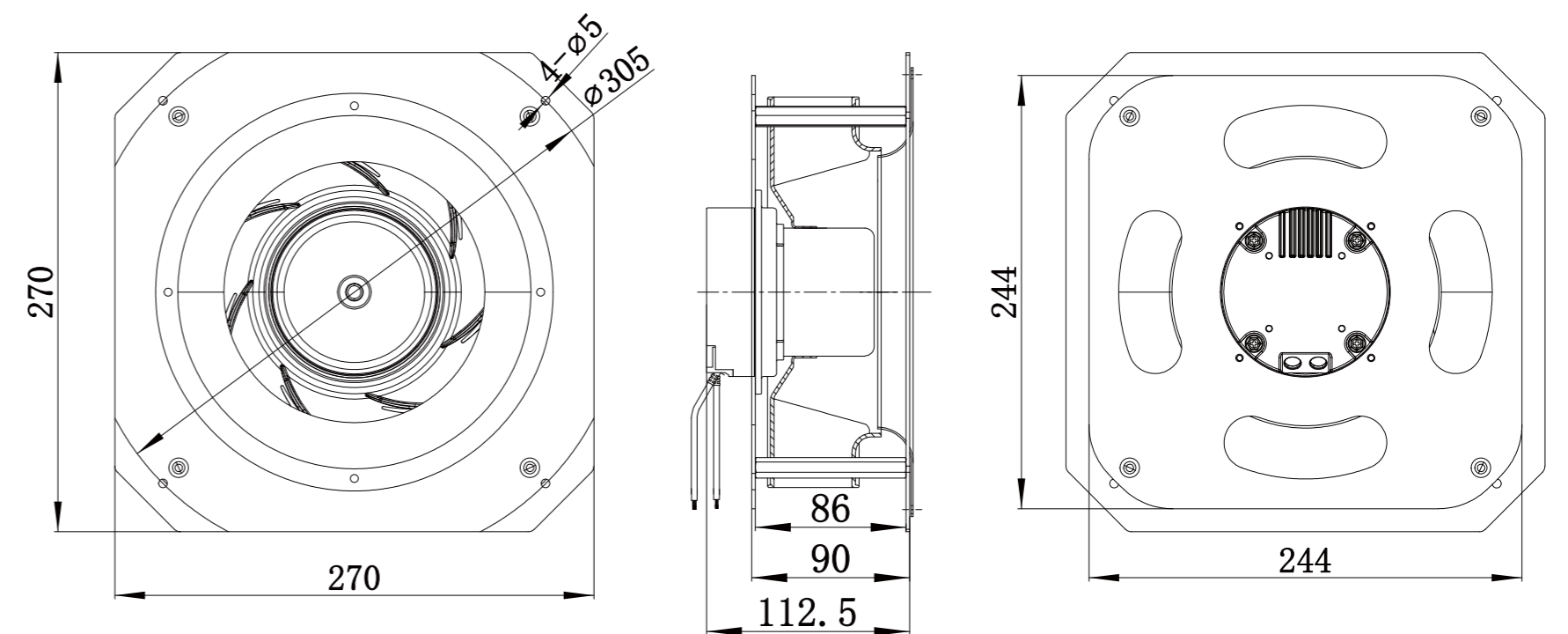
Model	Voltage (V)	Input Power (W)	Current (A)	Air Volume (m³/h)	Static Pressure (Pa)	Speed (RPM)	Noise [dB(A)]
LWBE3G220-072PS-10	230	70	0.6	886	433	2500	71



LWBE3G220-072NS-11 (without bracket)



LWBE3G220-072PS-10 (with bracket)



LWBE-220 Series



Product Characteristic

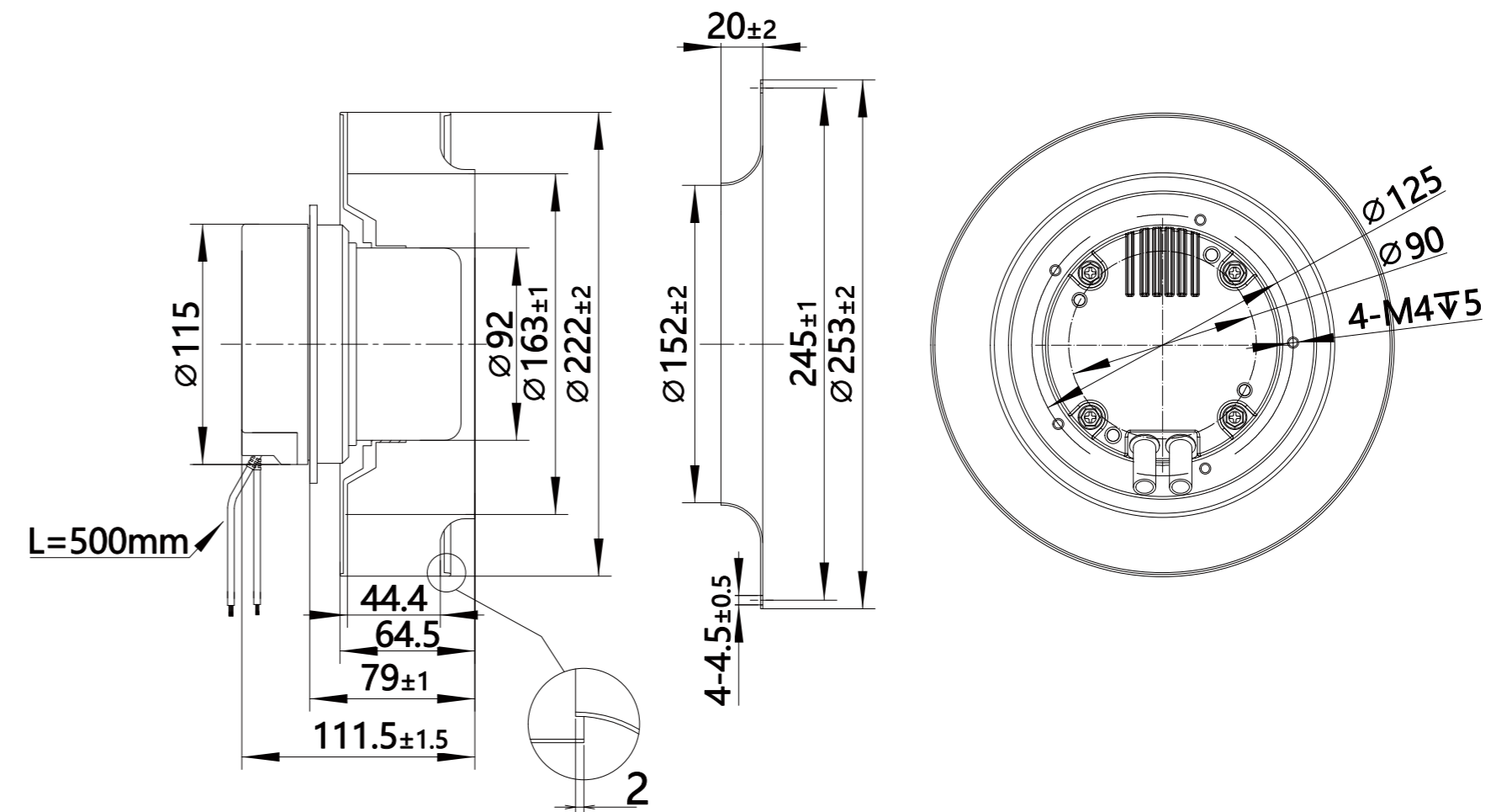
- Impeller Material: Plastic PA66
- Supply Voltage: 230V/115V,50/60Hz
- Mode Of Operation: S1
- Protection Class: IP44
- Insulation Class: B
- Operation Temperature: -25°C ~ +60°C
- Technical Feature: Control input 0-10VDC/PWM, Tech output, Locked-Rotor protection, Reverse Polarity Over-voltage protection, Soft Start Protection.



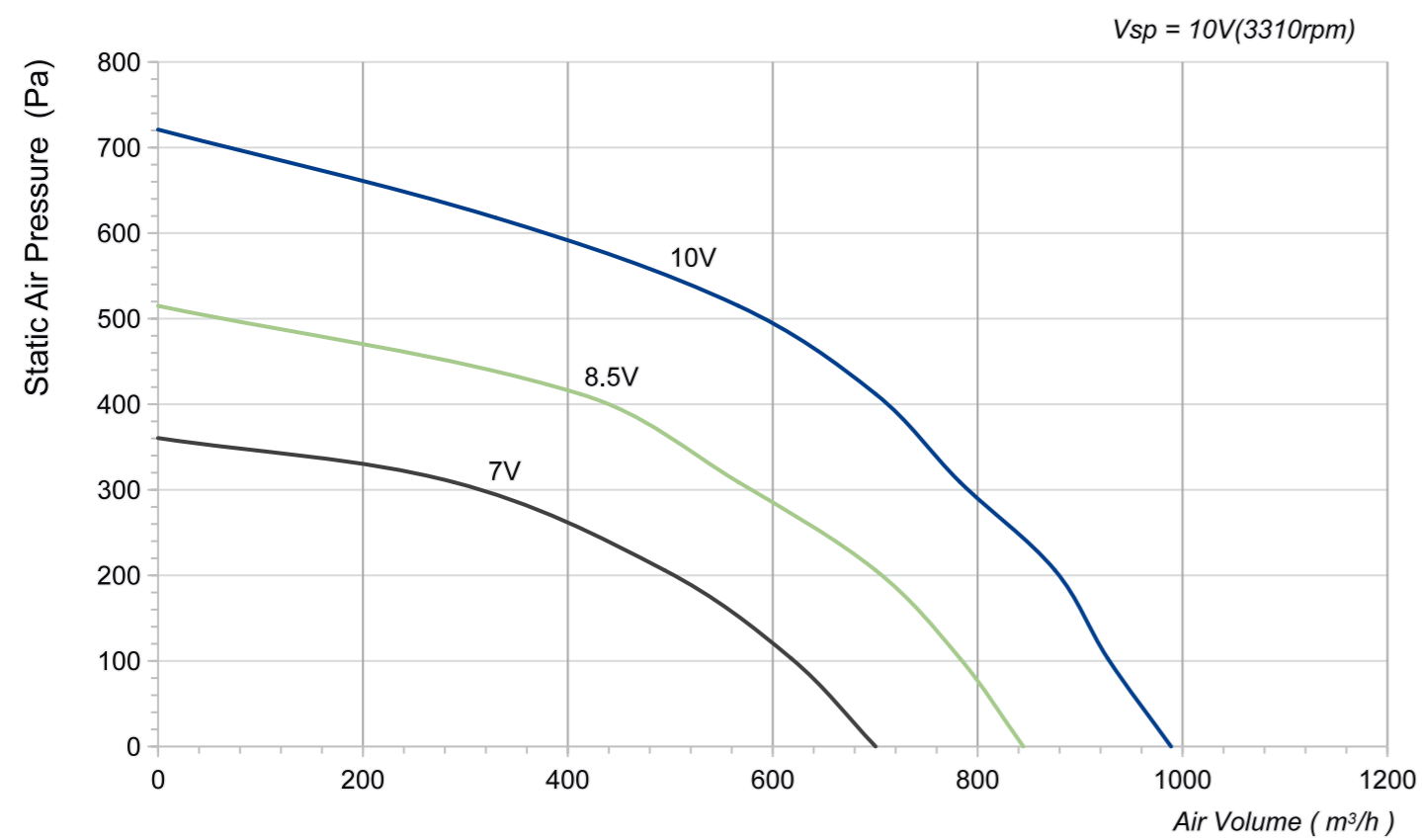
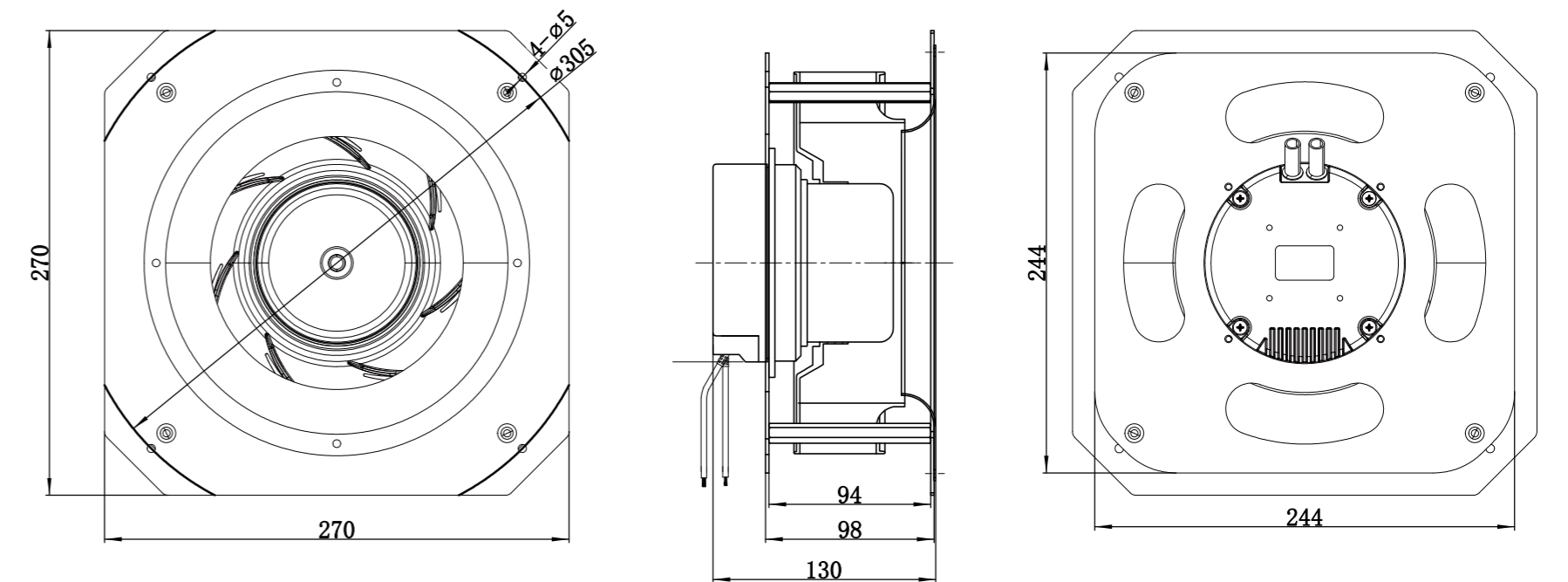
Technical Specifications

Model	Voltage (V)	Input Power (W)	Current (A)	Air Volume (m³/h)	Static Pressure (Pa)	Speed (RPM)	Noise [dB(A)]
LWBE3G220-092PS-11	230	145	1	989	711	3310	75

LWBE3G220-092NS-10 (without bracket)



LWBE3G220-092PS-11 (with bracket)



LWBE-225 Series



Product Characteristic

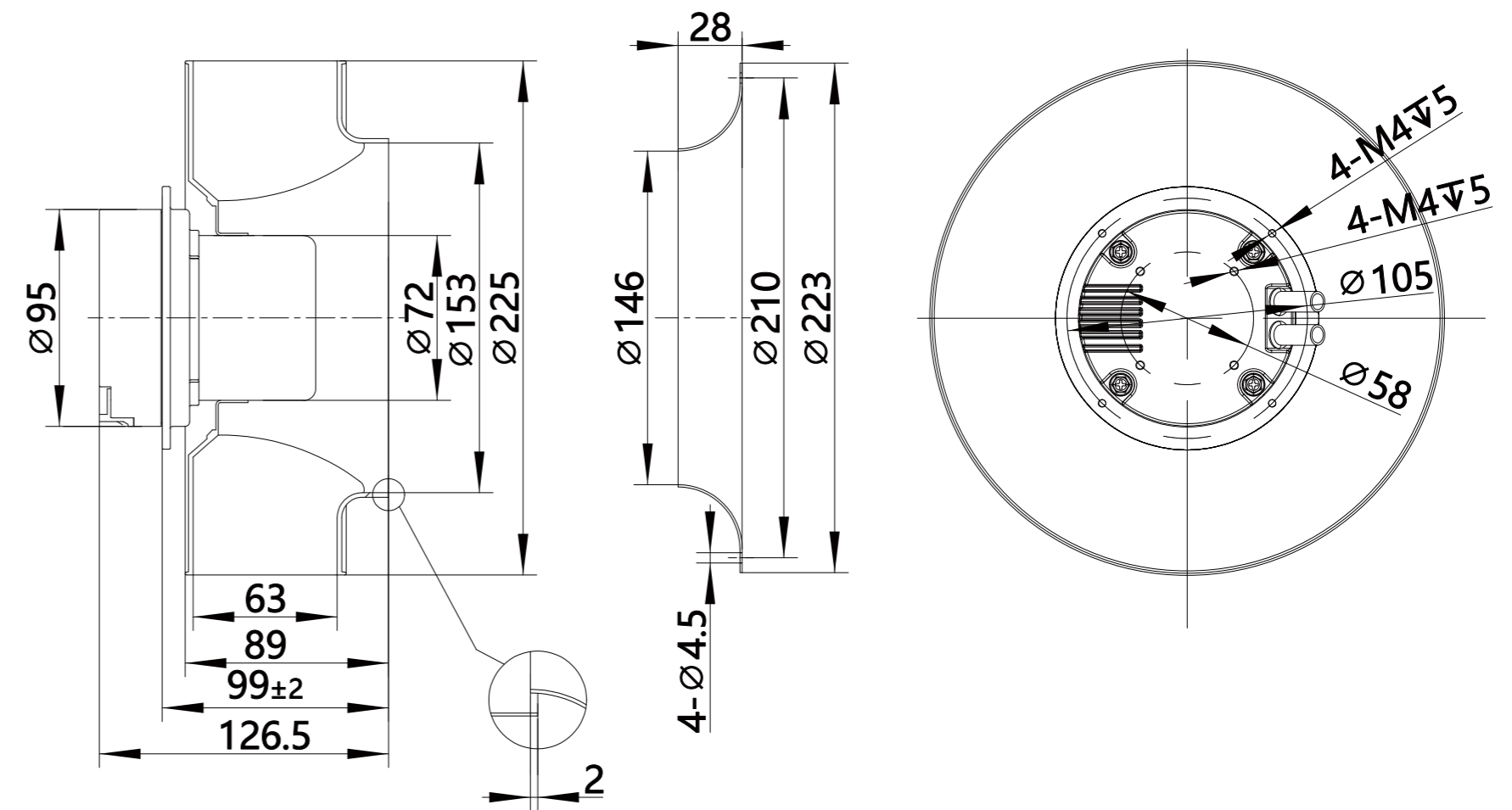
- Impeller Material: Plastic PA66
- Supply Voltage: 230V/115V,50/60Hz
- Mode Of Operation: S1
- Protection Class: IP44
- Insulation Class: B
- Operation Temperature: -25°C ~ +60°C
- Technical Feature: Control input 0-10VDC/PWM, Tech output, Locked-Rotor protection, Reverse Polarity Over-voltage protection, Soft Start Protection.



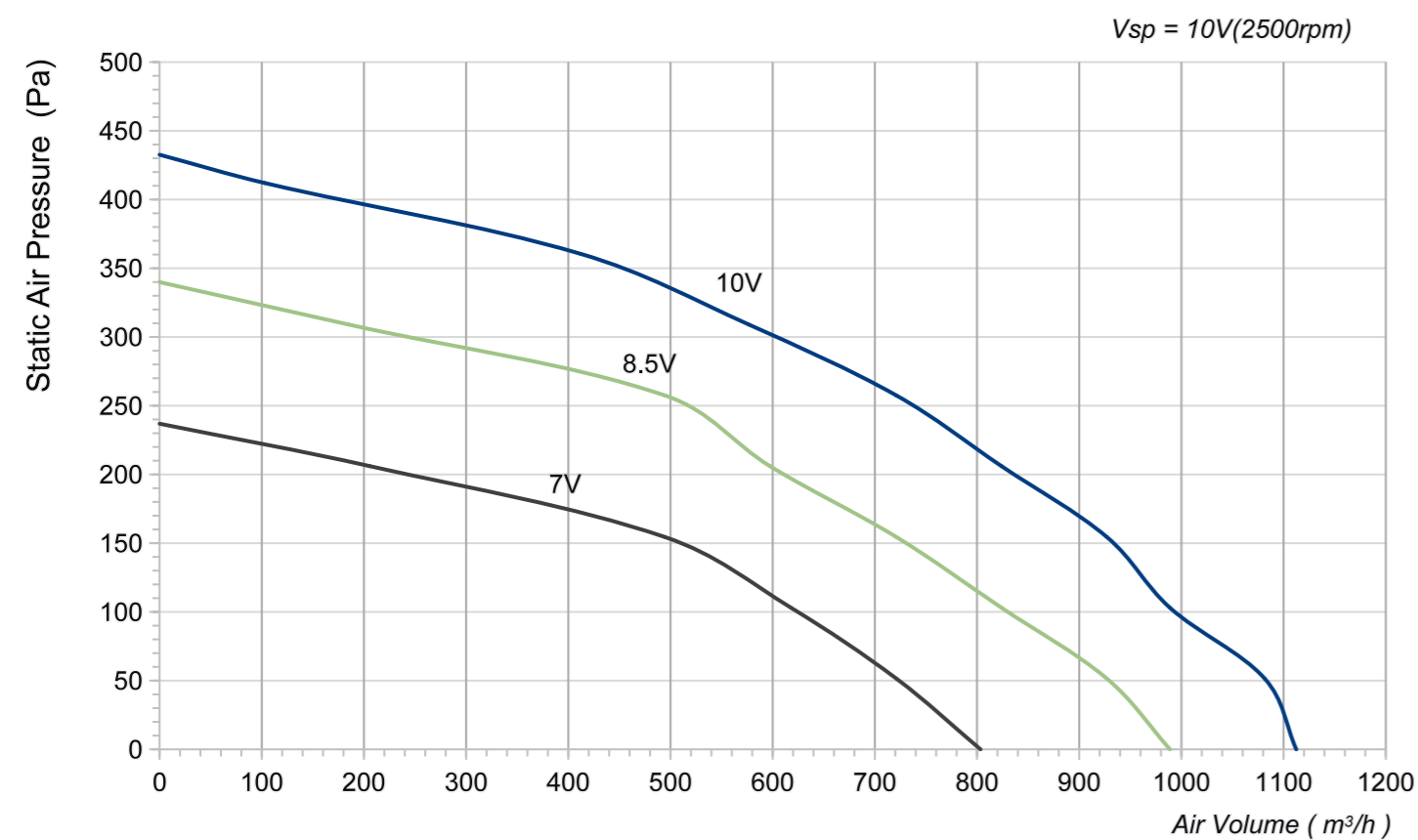
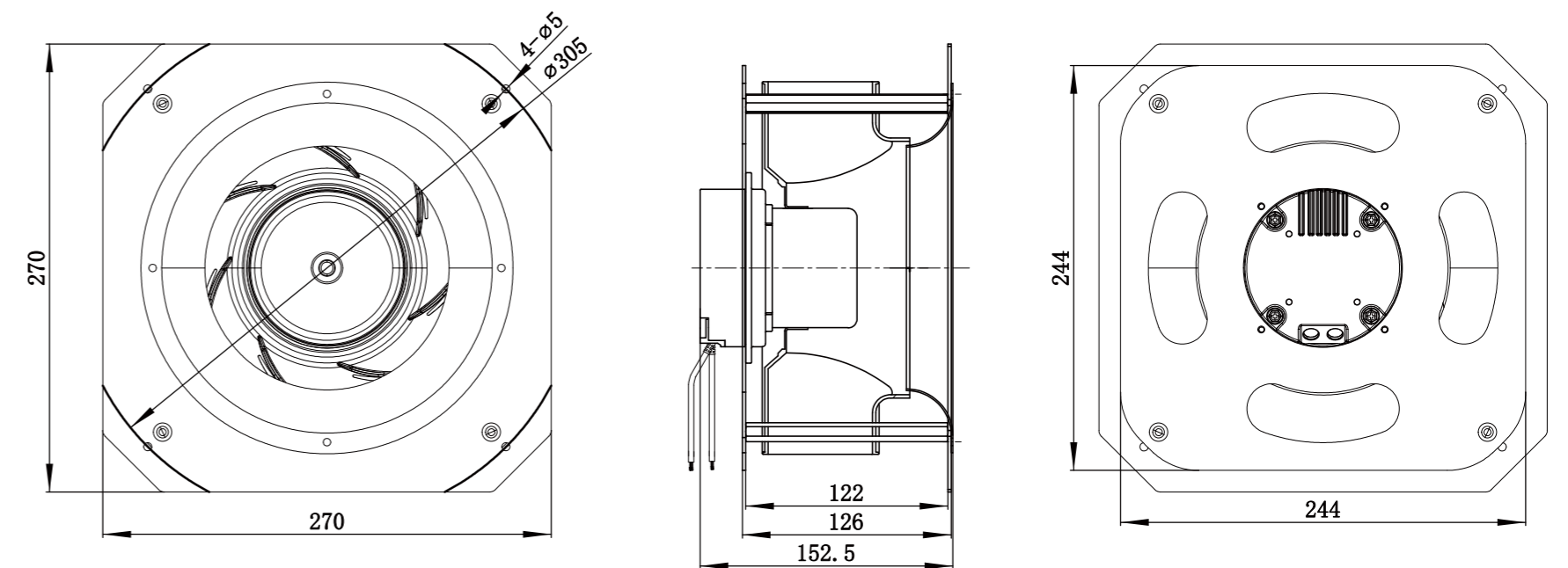
Technical Specifications

Model	Voltage (V)	Input Power (W)	Current (A)	Air Volume (m³/h)	Static Pressure (Pa)	Speed (RPM)	Noise [dB(A)]
LWBE3G225-072PS-11	230	80	0.6	1112	433	2500	69

LWBE3G225-072NS-10 (without bracket)



LWBE3G225-072PS-11 (with bracket)



LWBE-225 Series



Product Characteristic

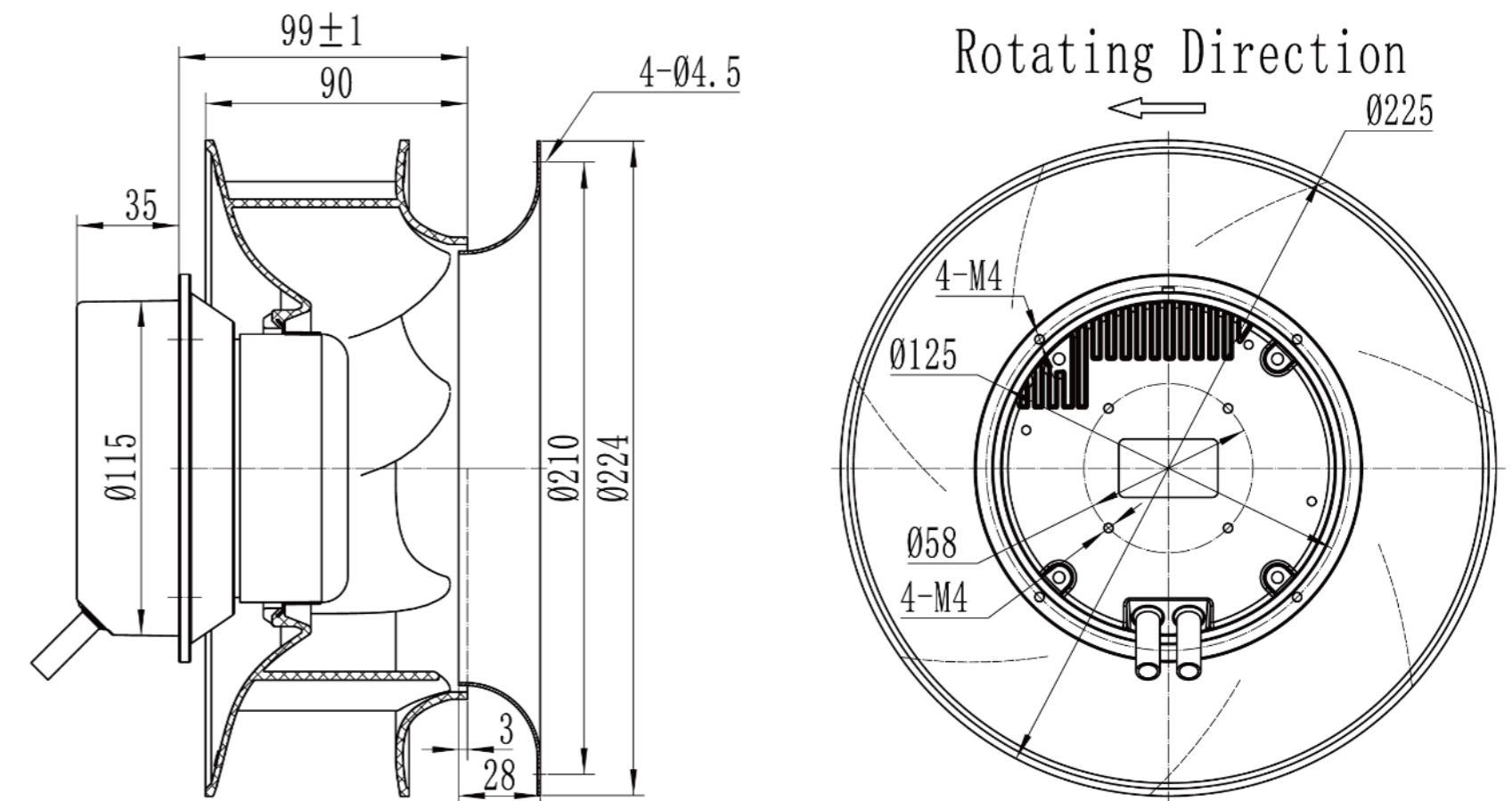
- Impeller Material: Plastic PA66
- Supply Voltage: 230V/115V,50/60Hz
- Mode Of Operation: S1
- Protection Class: IP54
- Insulation Class: F
- Operation Temperature: -25°C ~ +60°C
- Technical Feature: Control input 0-10VDC/PWM, Tech output, Locked-Rotor protection, Reverse Polarity Over-voltage protection, Soft Start Protection.



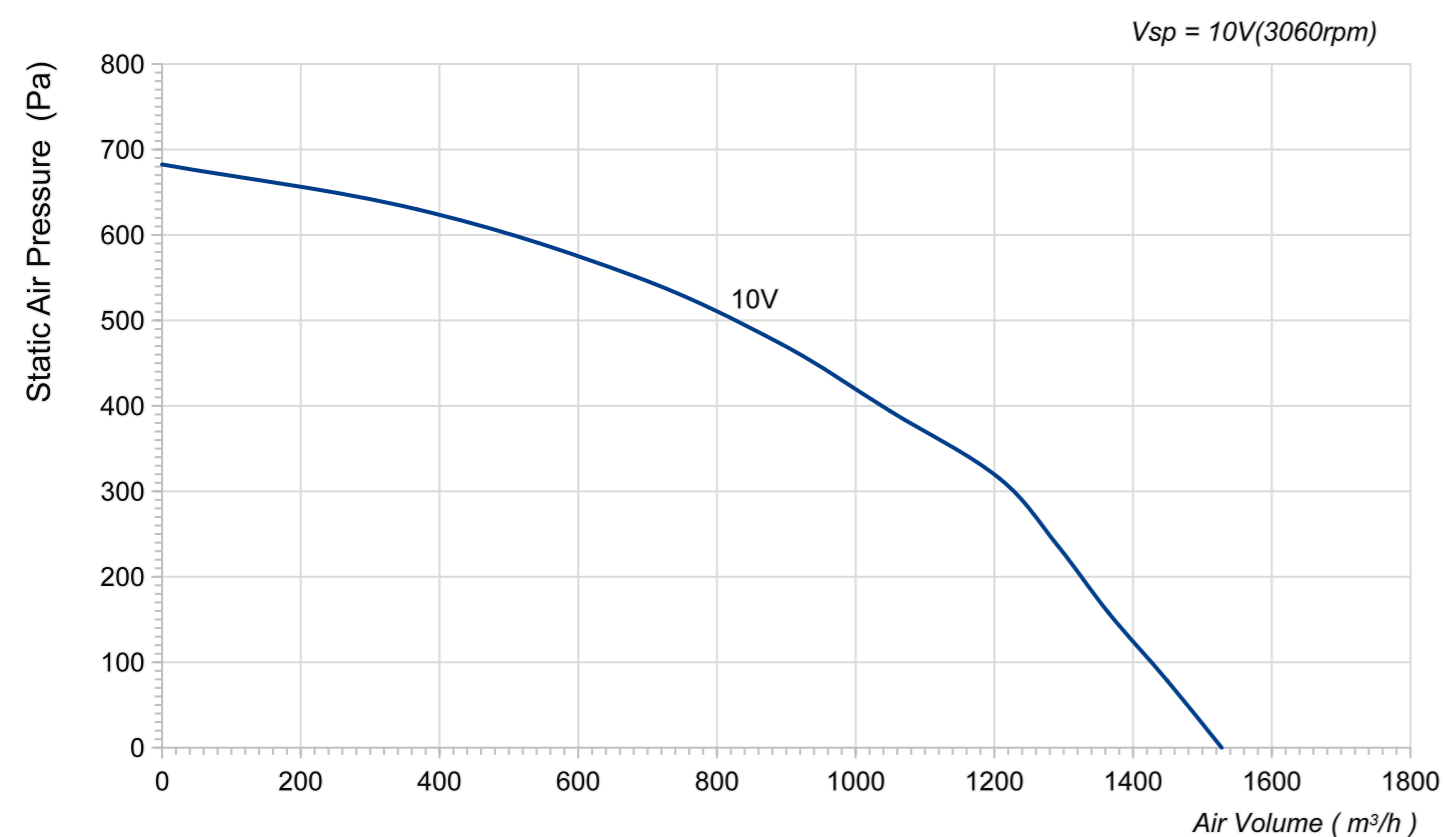
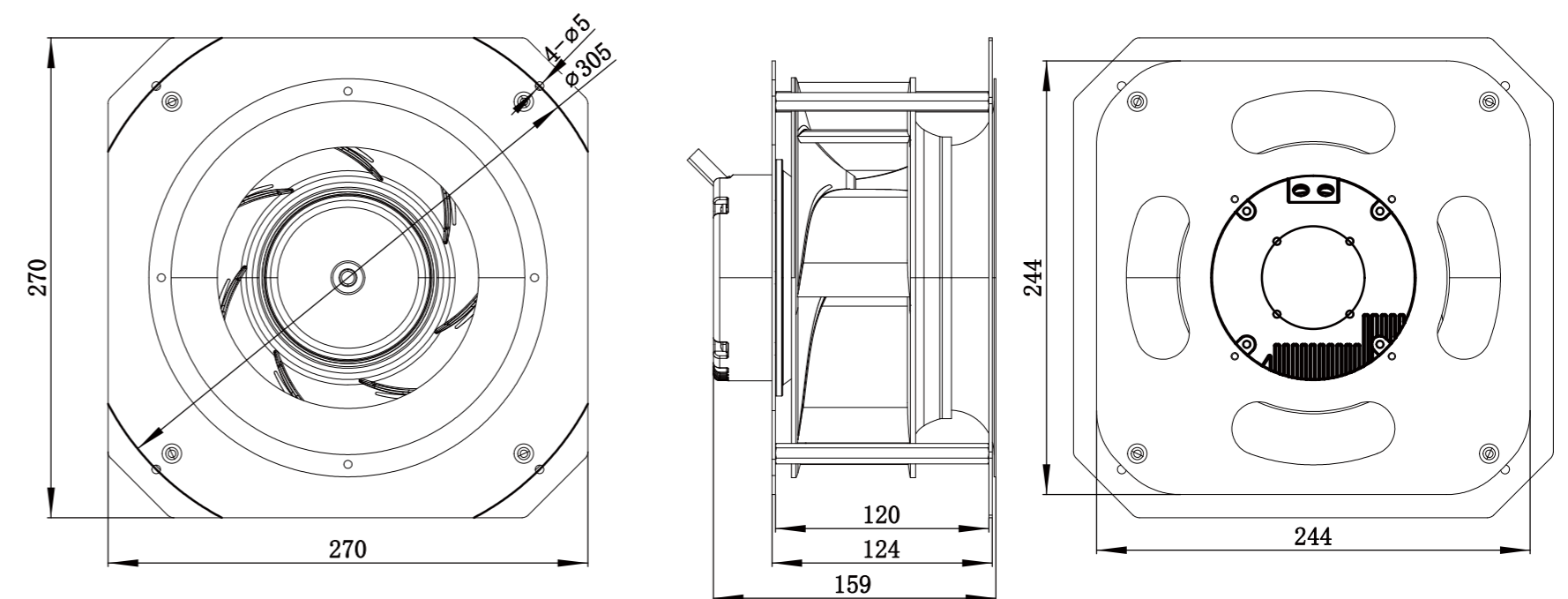
Technical Specifications

Model	Voltage (V)	Input Power (W)	Current (A)	Air Volume (m³/h)	Static Pressure (Pa)	Speed (RPM)	Noise [dB(A)]
LWBE3G225-092PS-12	230	156	/	1528	683	3060	71.1

LWBE3G225-092NS-11 (without bracket)



LWBE3G225-092PS-12 (with bracket)



LWBE-225 Series



Product Characteristic

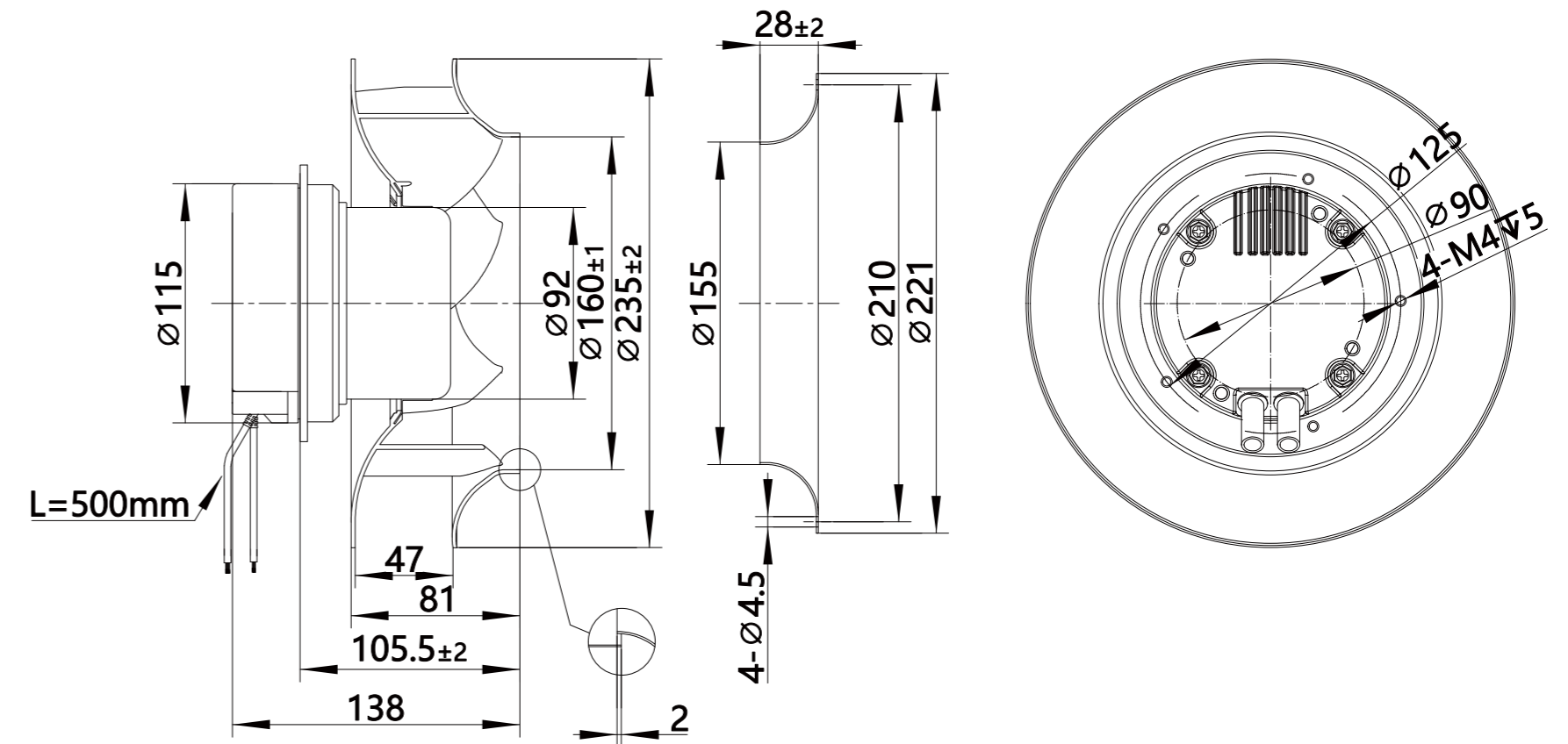
- Impeller Material: Plastic PA66
- Supply Voltage: 230V/115V,50/60Hz
- Mode Of Operation: S1
- Protection Class: IP44
- Insulation Class: B
- Operation Temperature: -25°C ~ +60°C
- Technical Feature: Control input 0-10VDC/PWM, Tech output, Locked-Rotor protection, Reverse Polarity Over-voltage protection, Soft Start Protection.



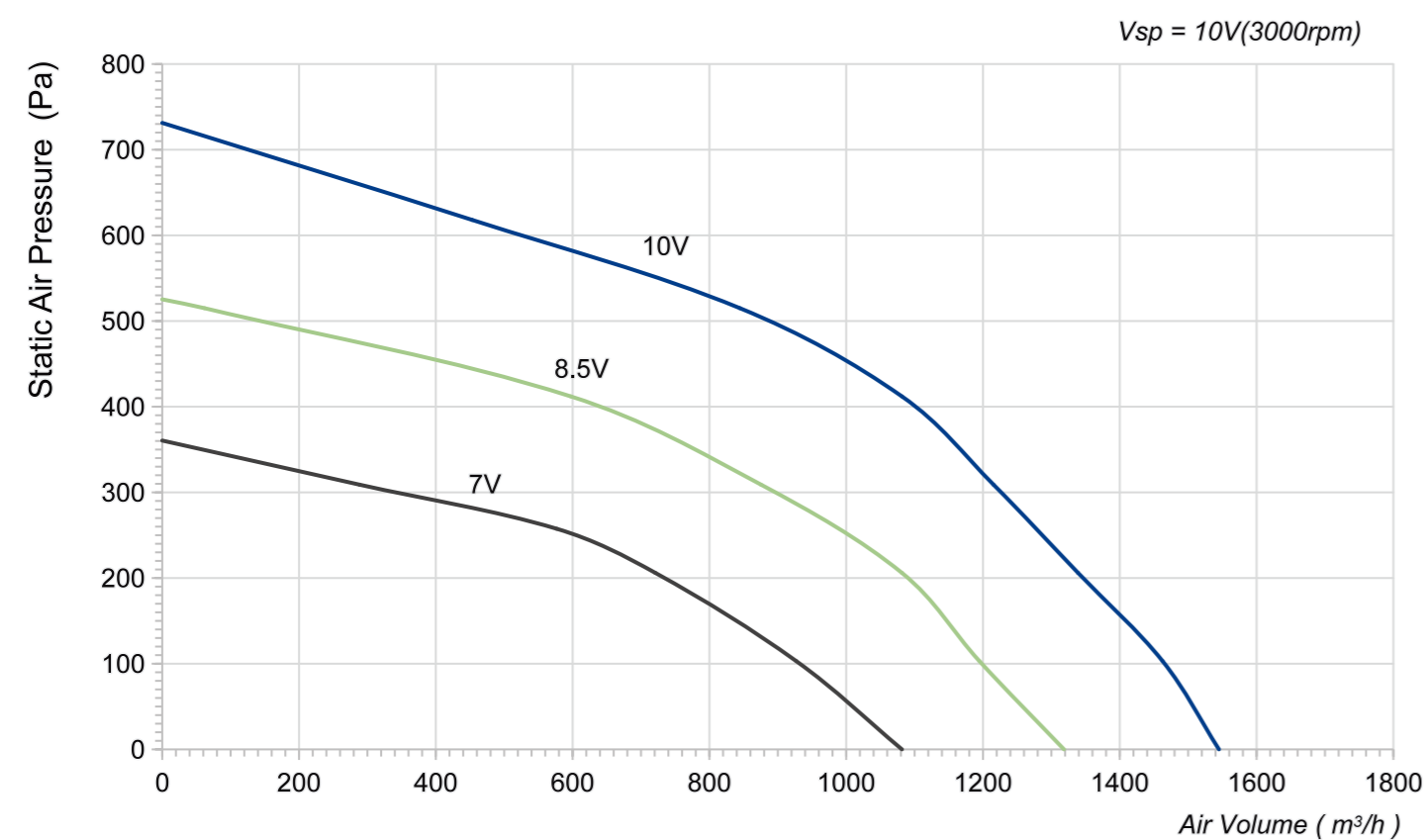
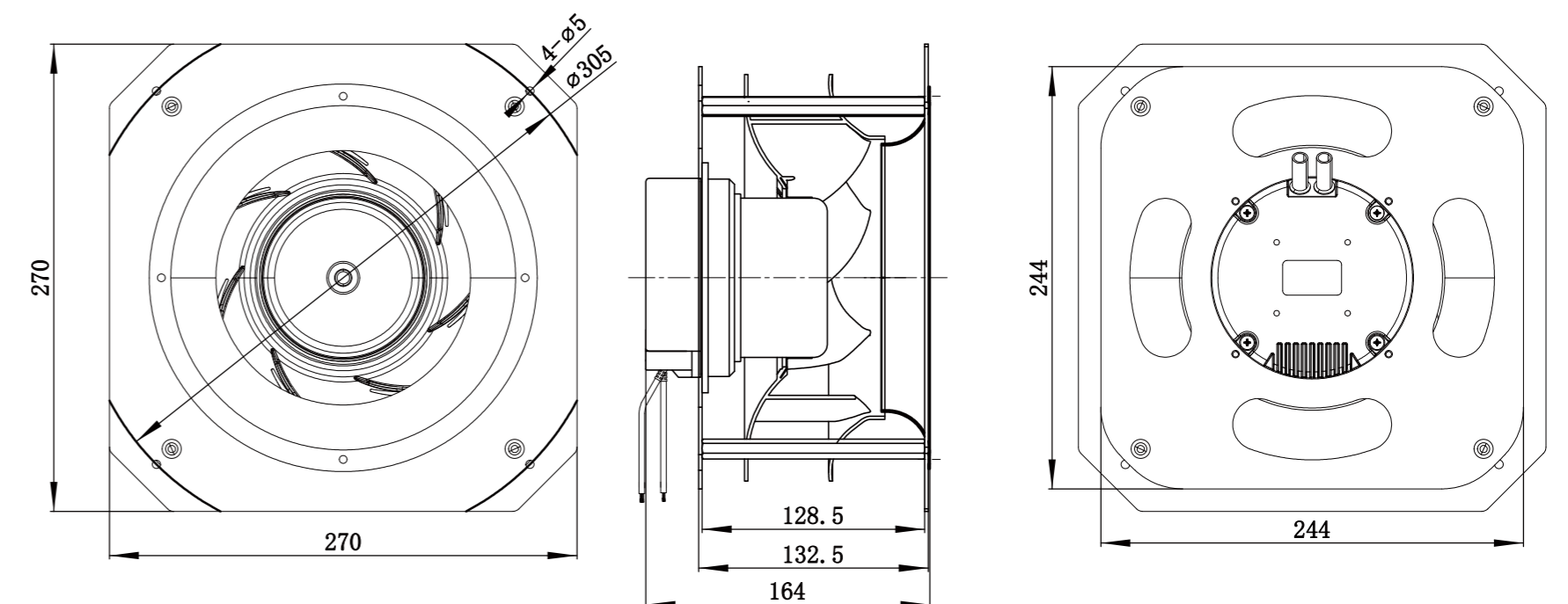
Technical Specifications

Model	Voltage (V)	Input Power (W)	Current (A)	Air Volume (m³/h)	Static Pressure (Pa)	Speed (RPM)	Noise [dB(A)]
LWBE3G225-092PS-13	230	190	1.35	1545	731	3000	79

LWBE3G225-092NS-12 (without bracket)



LWBE3G225-092PS-13 (with bracket)



LWBE-250 Series



Product Characteristic

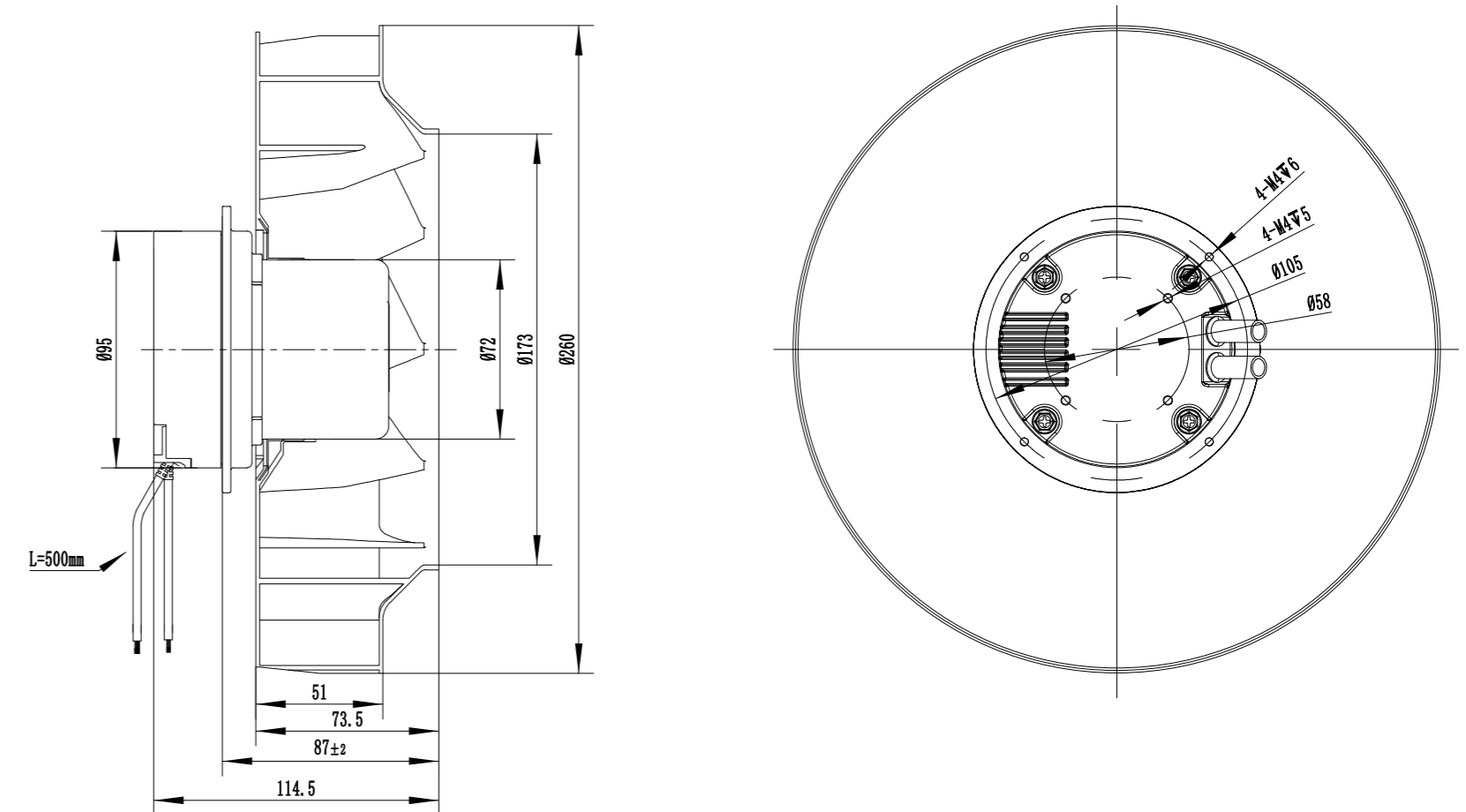
- Impeller Material: Plastic PA66
- Supply Voltage: 230V/115V,50/60Hz
- Mode Of Operation: S1
- Protection Class: IP44
- Insulation Class: B
- Operation Temperature: -25°C ~ +60°C
- Technical Feature: Control input 0-10VDC/PWM, Tech output, Locked-Rotor protection, Reverse Polarity Over-voltage protection, Soft Start Protection.



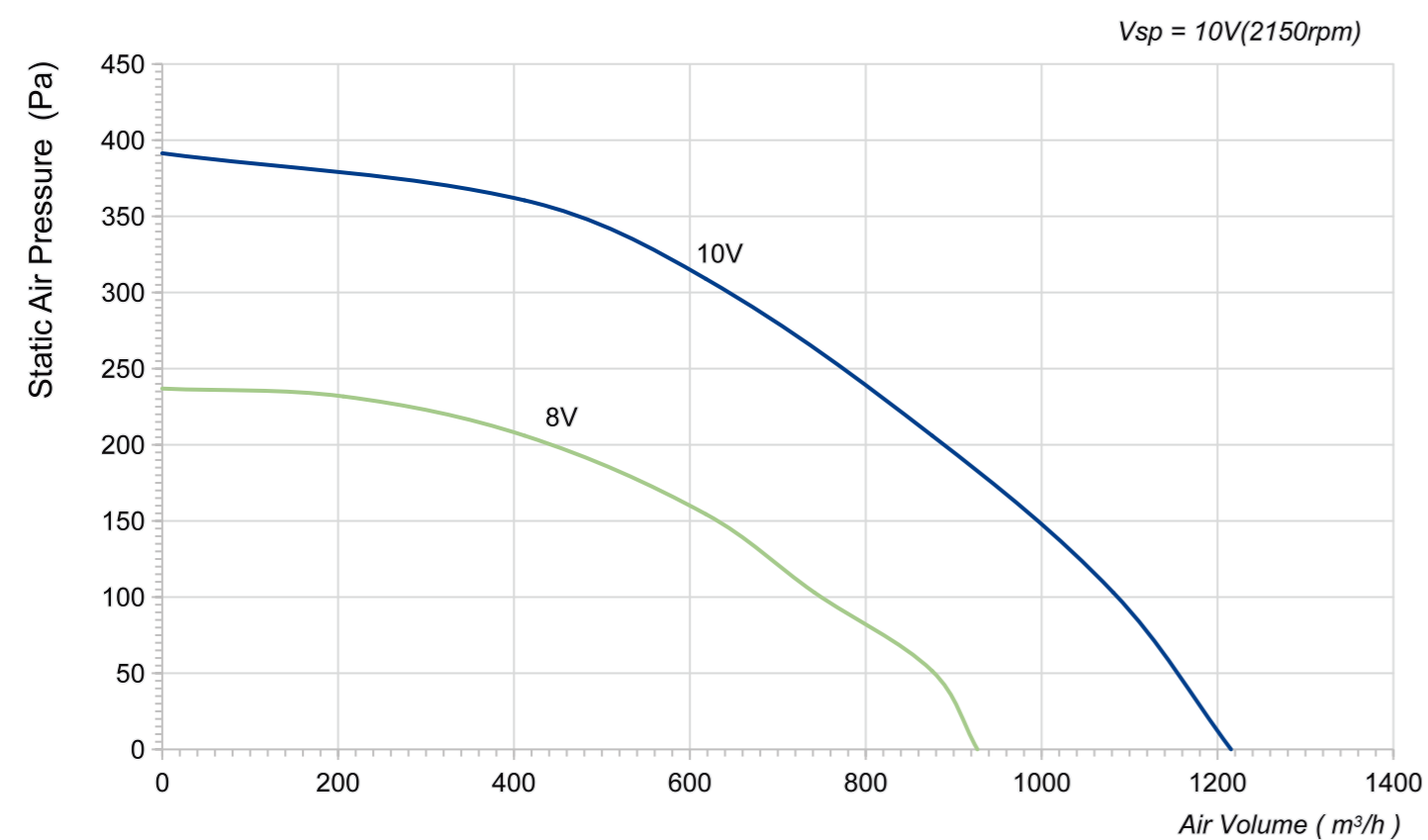
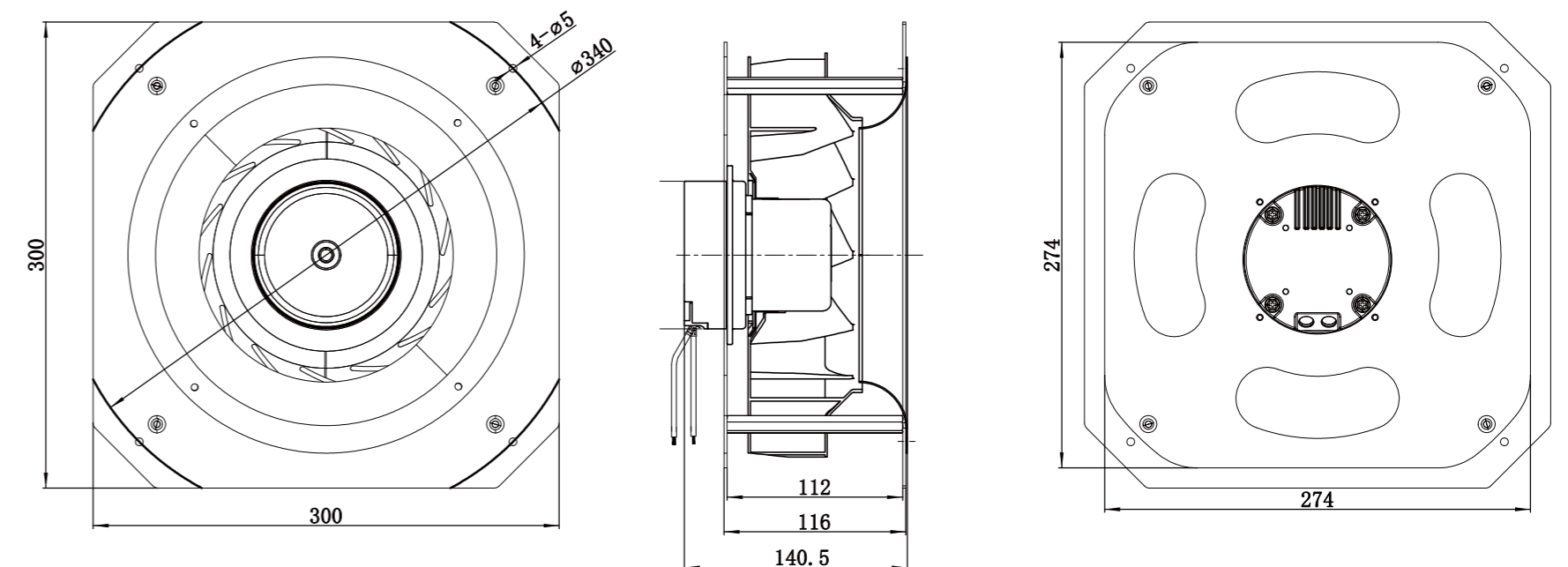
Technical Specifications

Model	Voltage (V)	Input Power (W)	Current (A)	Air Volume (m³/h)	Static Pressure (Pa)	Speed (RPM)	Noise [dB(A)]
LWBE3G250-072PS-15	230	90	0.8	1215	391	2150	68

LWBE3G250-072NS-29 (without bracket)



LWBE3G250-072PS-15 (with bracket)



LWBE-250 Series



Product Characteristic

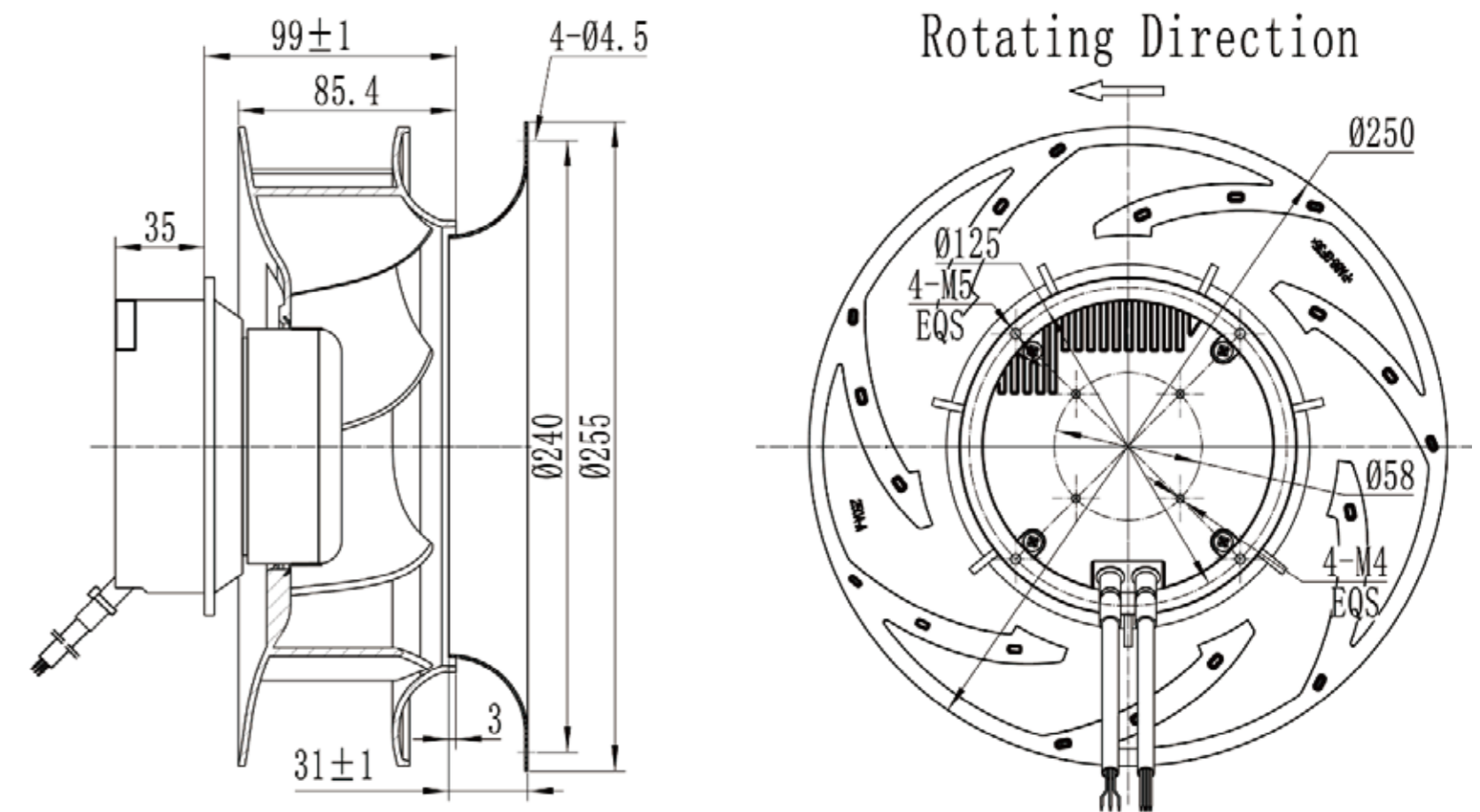
- Impeller Material: Plastic PA66
- Supply Voltage: 230V/115V,50/60Hz
- Mode Of Operation: S1
- Protection Class: IP54
- Insulation Class: F
- Operation Temperature: -25°C ~ +60°C
- Technical Feature: Control input 0-10VDC/PWM, Tech output, Locked-Rotor protection, Reverse Polarity Over-voltage protection, Soft Start Protection.



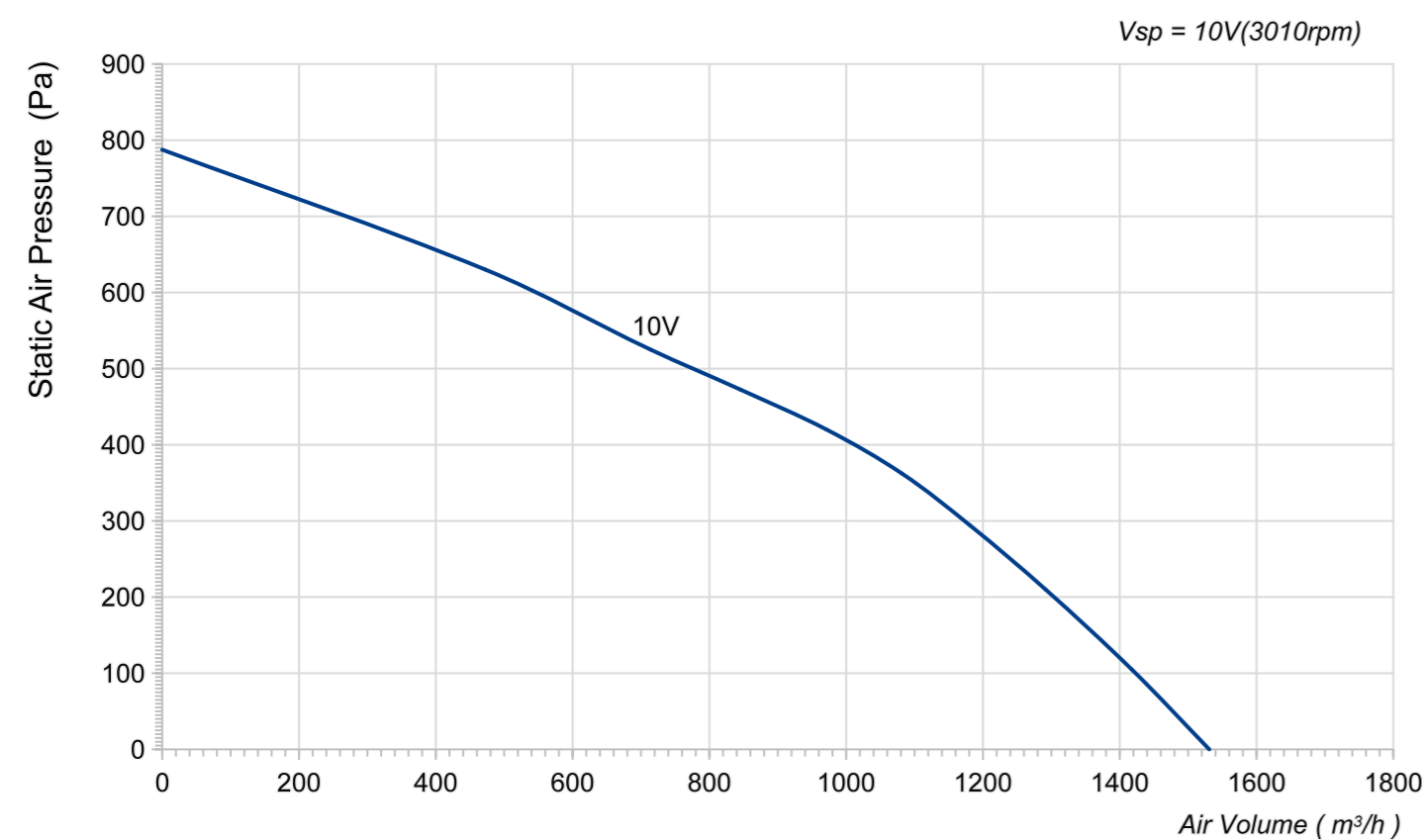
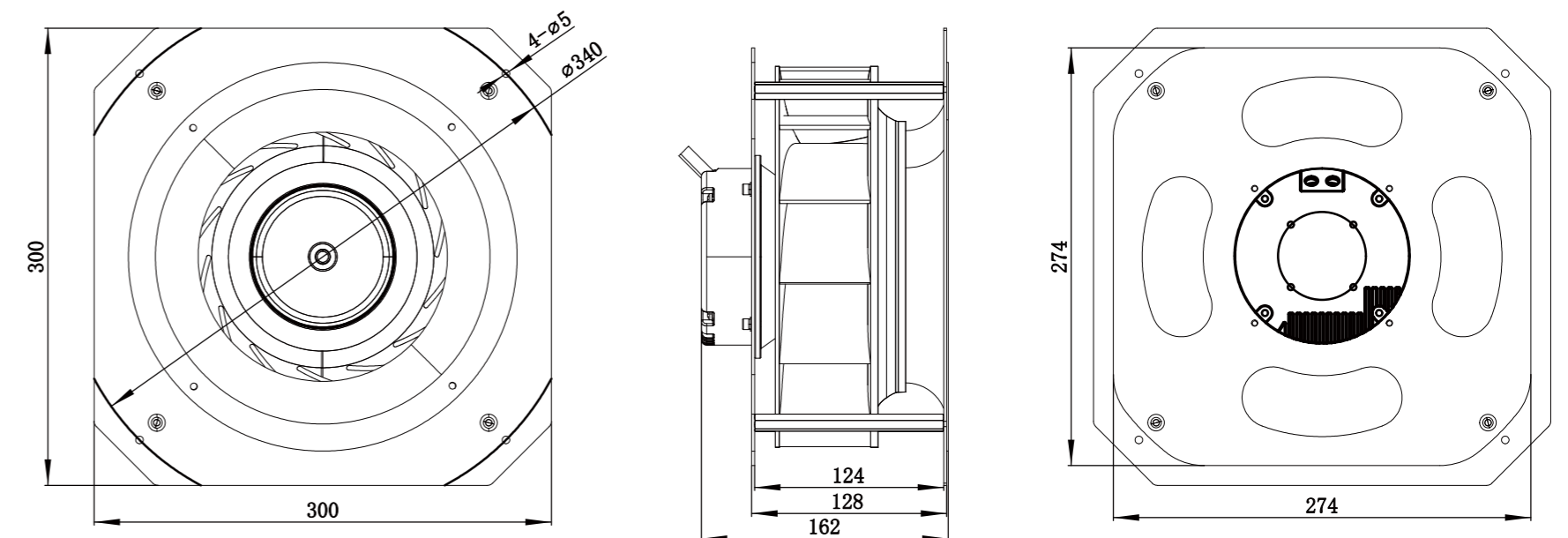
Technical Specifications

Model	Voltage (V)	Input Power (W)	Current (A)	Air Volume (m³/h)	Static Pressure (Pa)	Speed (RPM)	Noise [dB(A)]
LWBE3G250-092PS-16	230	140	0.61	1531	785	3010	72.1

LWBE3G250-092NS-12 (without bracket)



LWBE3G250-092PS-16 (with bracket)



LWBE-250 Series



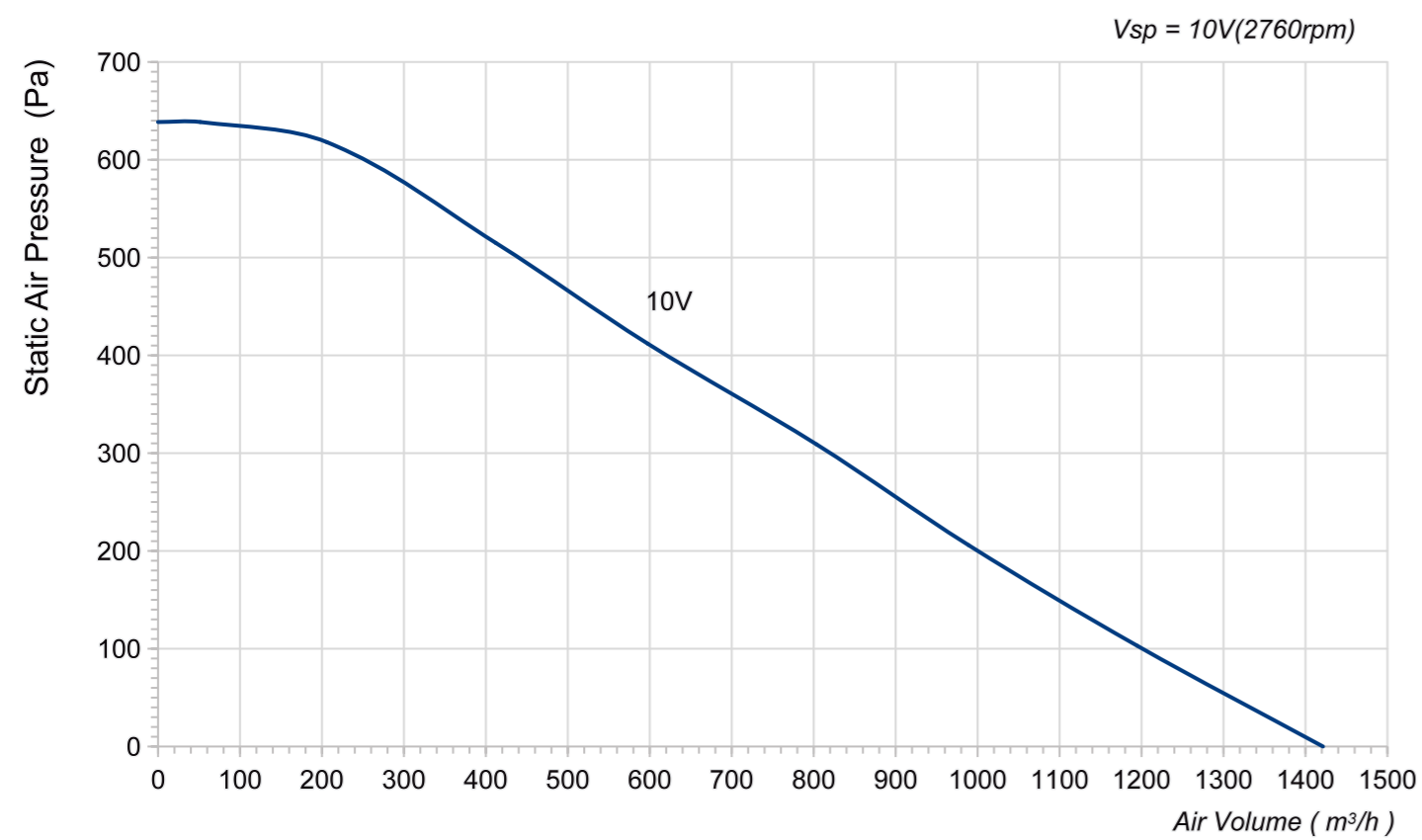
Product Characteristic

- Impeller Material: Plastic PA66
- Supply Voltage: 230V/115V,50/60Hz
- Mode Of Operation: S1
- Protection Class: IP44
- Insulation Class: F
- Operation Temperature: -25°C ~ +60°C
- Technical Feature: Control input 0-10VDC/PWM, Tech output, Locked-Rotor protection, Reverse Polarity Over-voltage protection, Soft Start Protection.

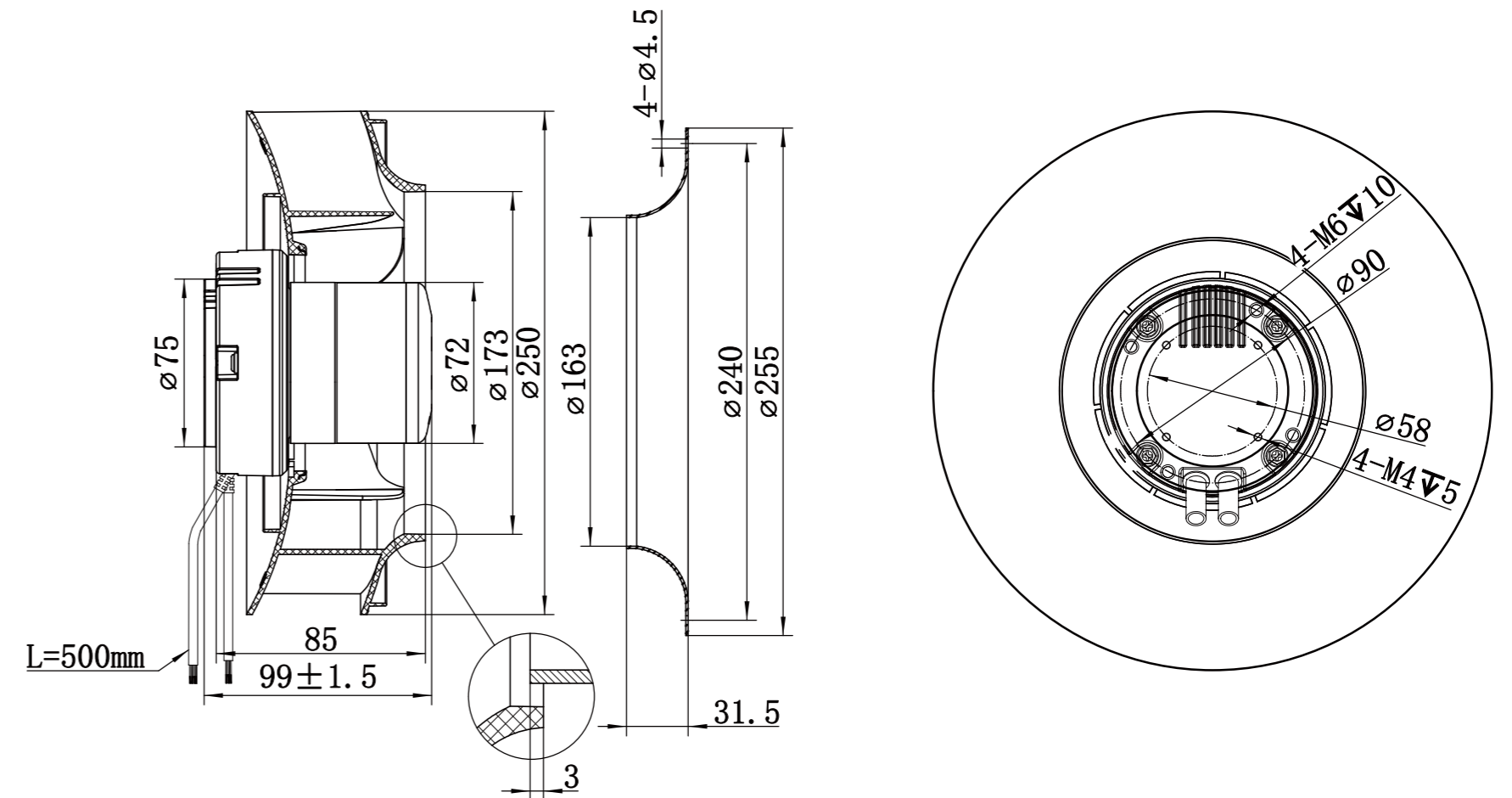


Technical Specifications

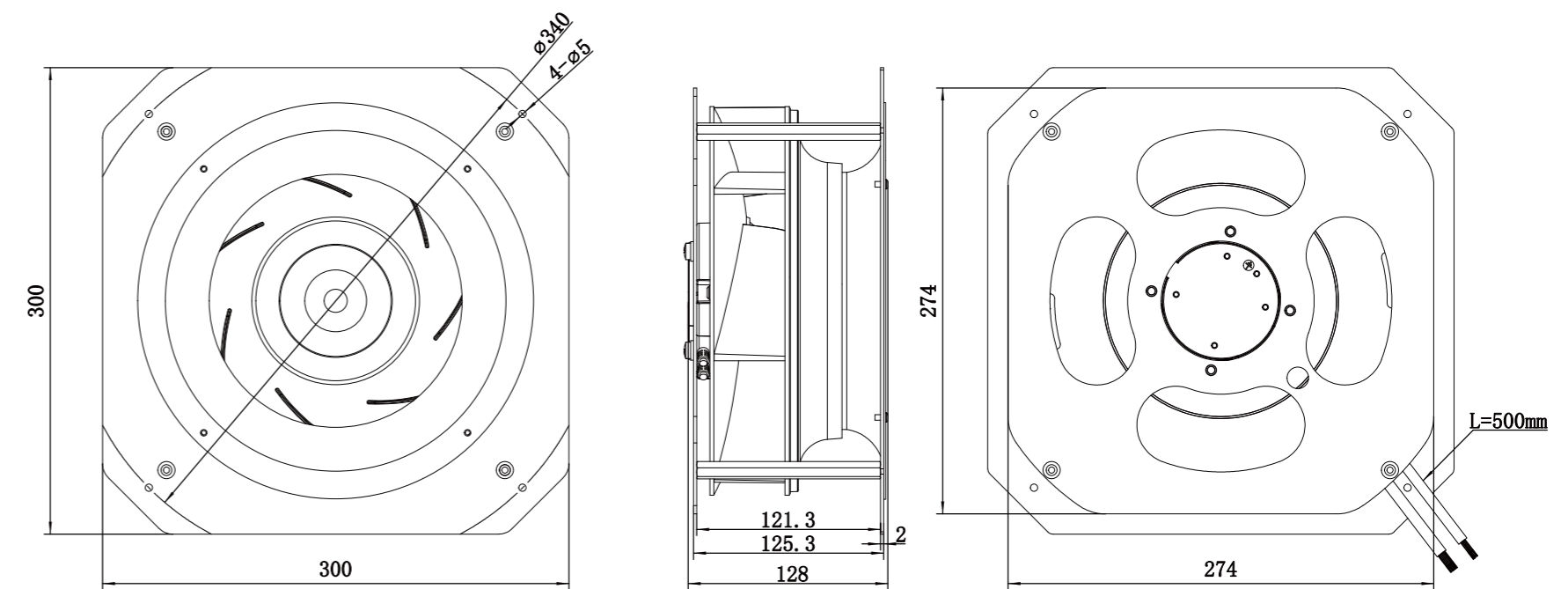
Model	Voltage (V)	Input Power (W)	Current (A)	Air Volume (m³/h)	Static Pressure (Pa)	Speed (RPM)	Noise [dB(A)]
LWBE3G250-072PS-17	230	140	1.1	1421	639	2760	77



LWBE3G250-072NS-21 (without bracket)



LWBE3G250-072PS-17 (with bracket)



LWBE-250 Series

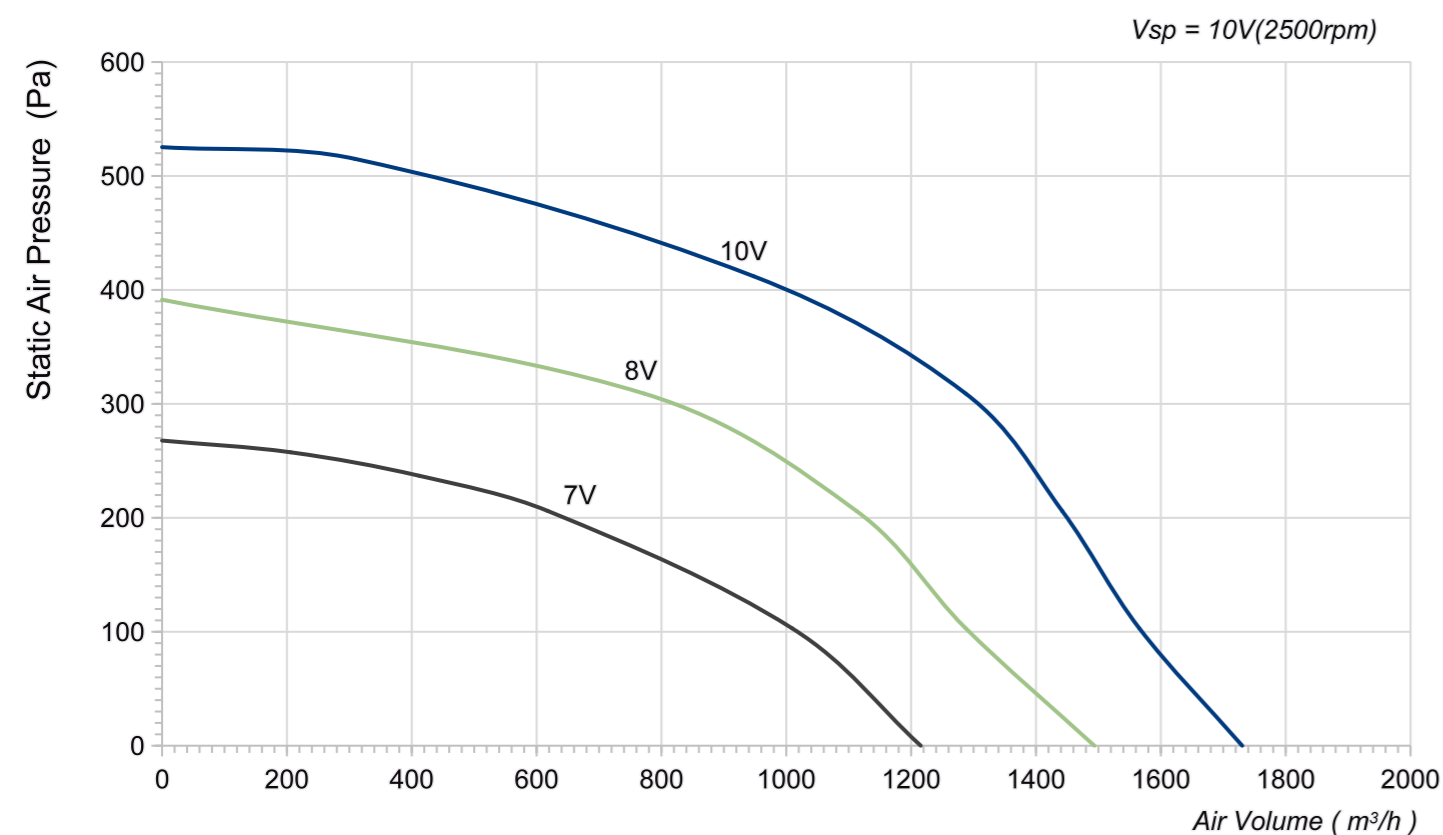
Product Characteristic

- Impeller Material: Aluminum Alloy
- Supply Voltage: 230V/115V,50/60Hz
- Mode Of Operation: S1
- Protection Class: IP44
- Insulation Class: B
- Operation Temperature: -25°C ~ +60°C
- Technical Feature: Control input 0-10VDC/PWM, Tech output, Locked-Rotor protection, Reverse Polarity Over-voltage protection, Soft Start Protection.

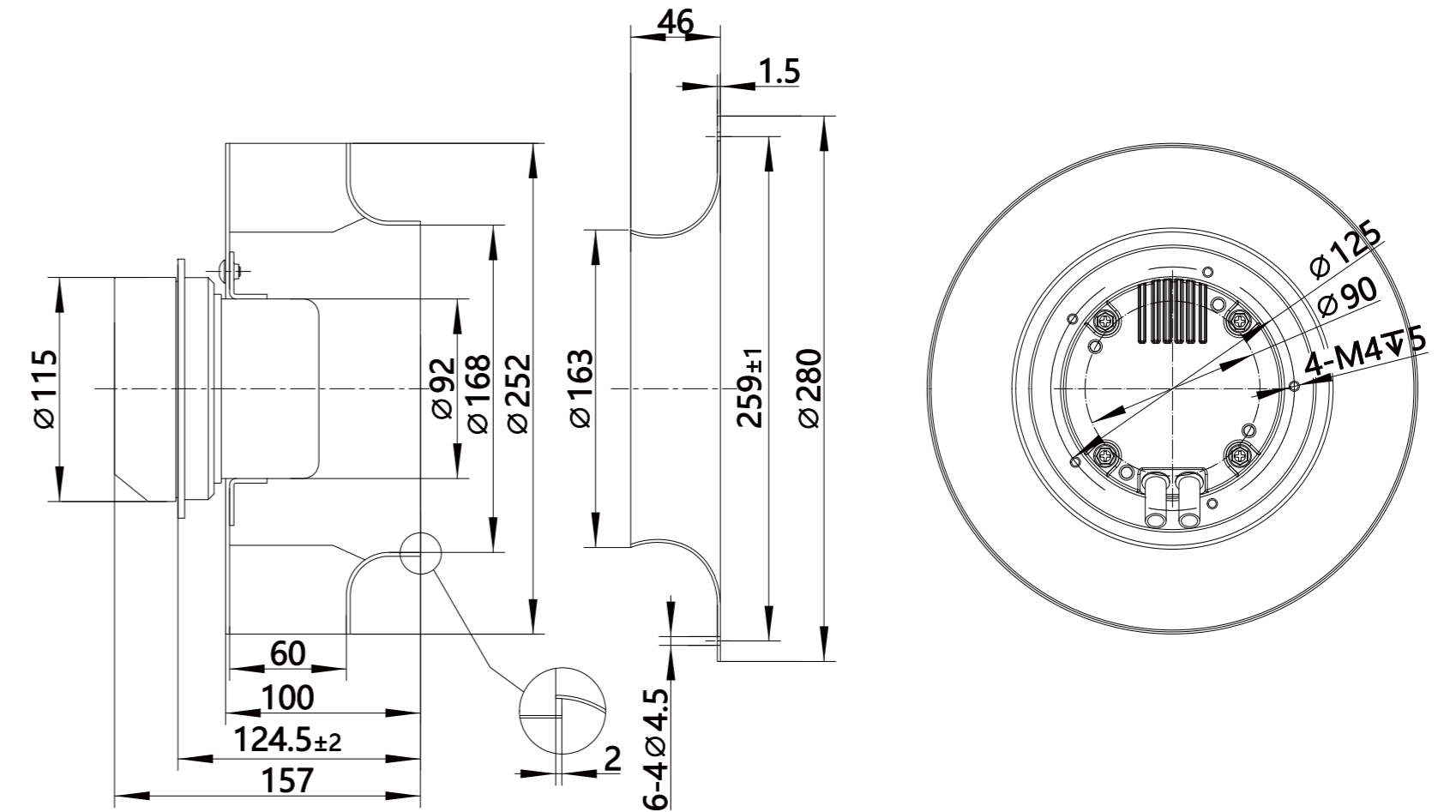


Technical Specifications

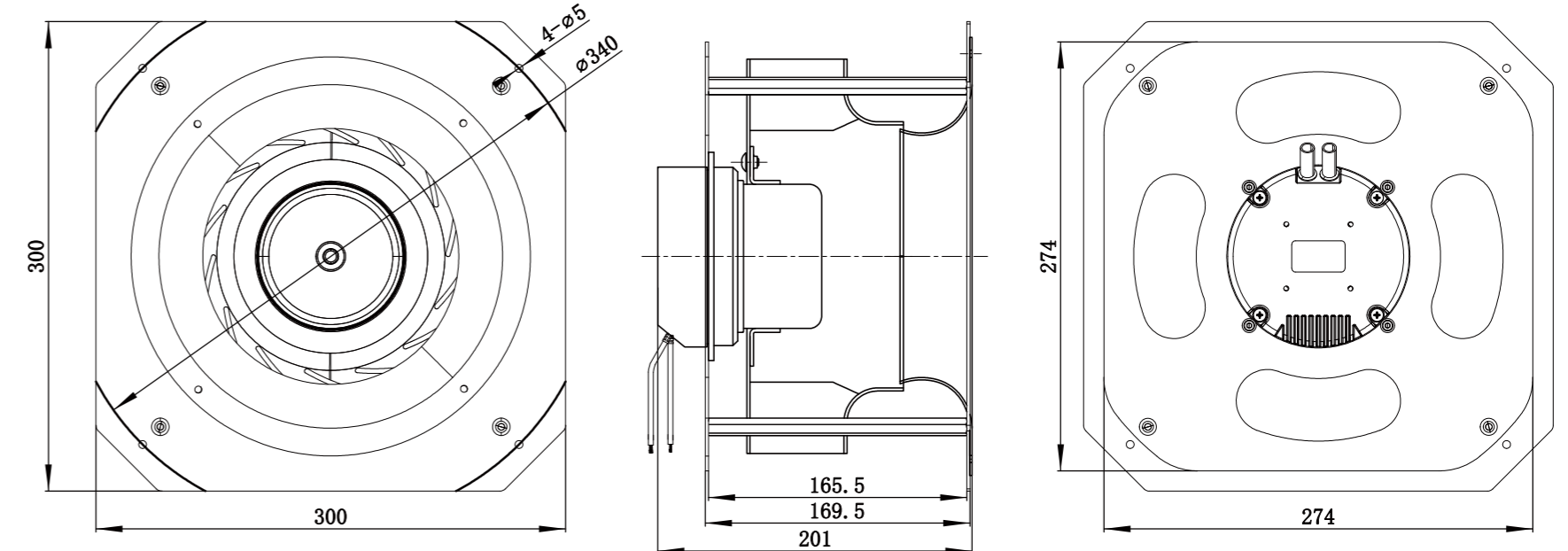
Model	Voltage (V)	Input Power (W)	Current (A)	Air Volume (m³/h)	Static Pressure (Pa)	Speed (RPM)	Noise [dB(A)]
LWBE3G250-092PS-20	230	145	1	1730	525	2500	74



LWBE3G250-092NS-22 (without bracket)



LWBE3G250-092PS-20 (with bracket)



LWBE-250 Series



Product Characteristic

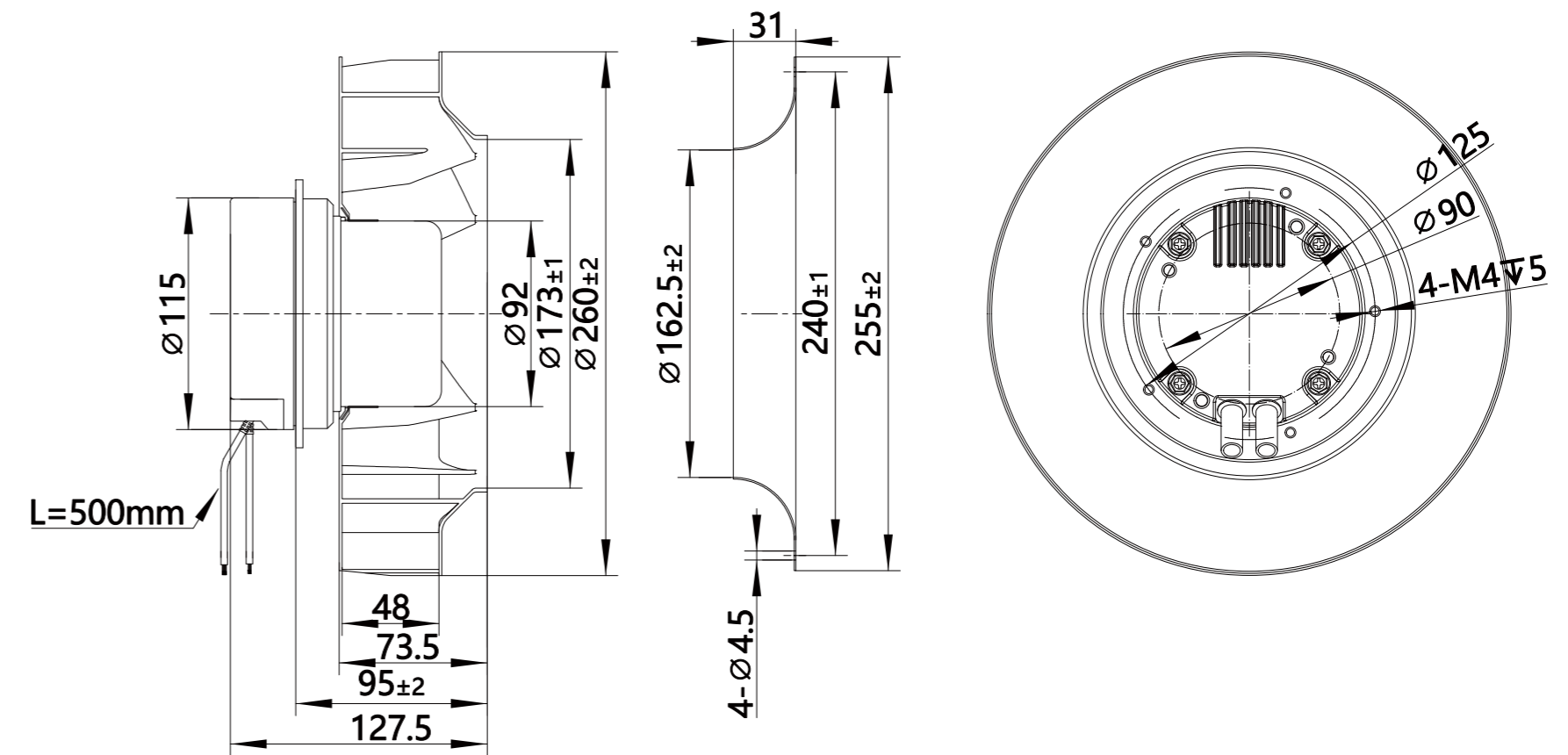
- Impeller Material: Plastic PA66
- Supply Voltage: 230V/115V,50/60Hz
- Mode Of Operation: S1
- Protection Class: IP44
- Insulation Class: B
- Operation Temperature: -25°C ~ +60°C
- Technical Feature: Control input 0-10VDC/PWM, Tech output, Locked-Rotor protection, Reverse Polarity Over-voltage protection, Soft Start Protection.



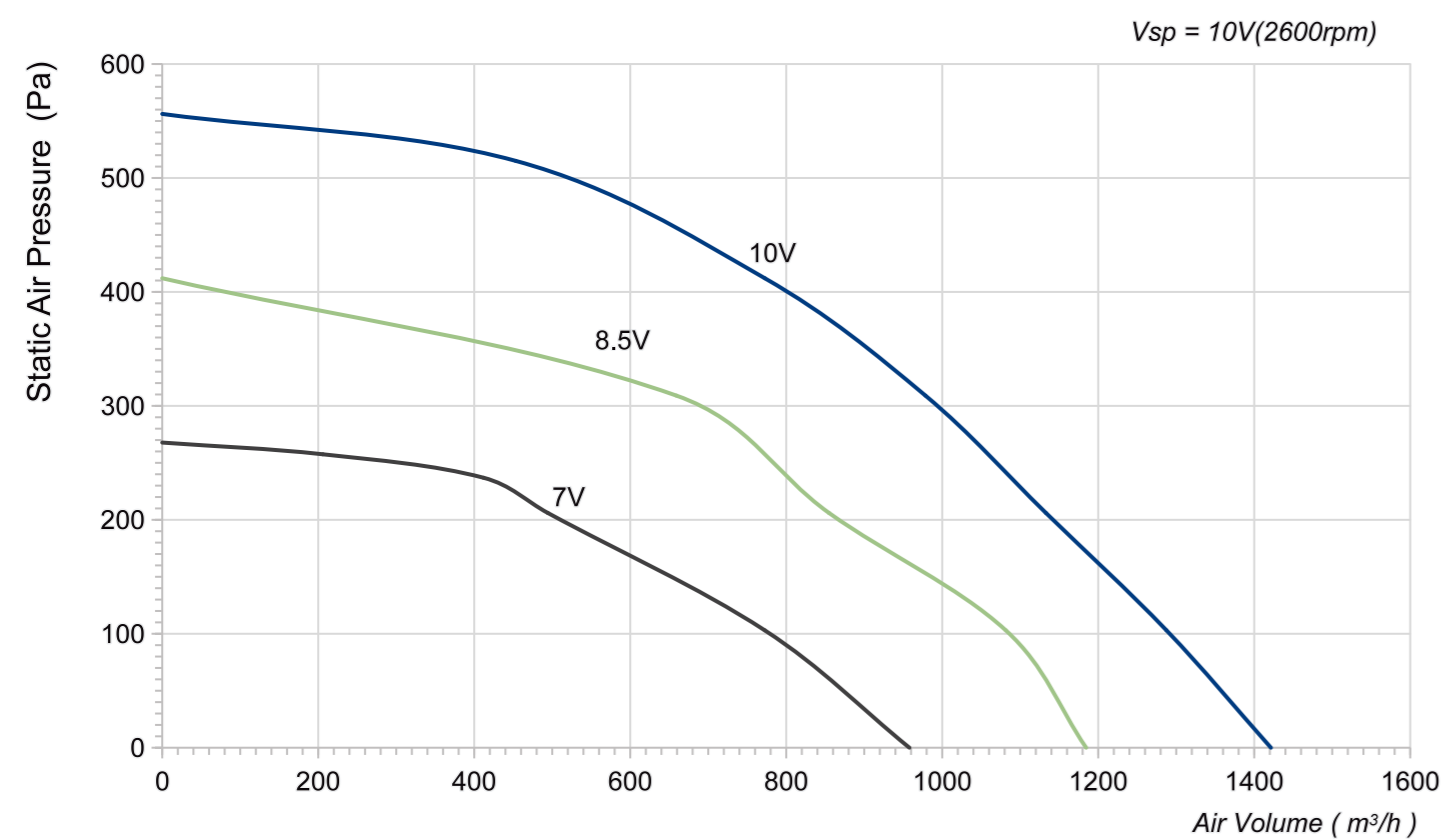
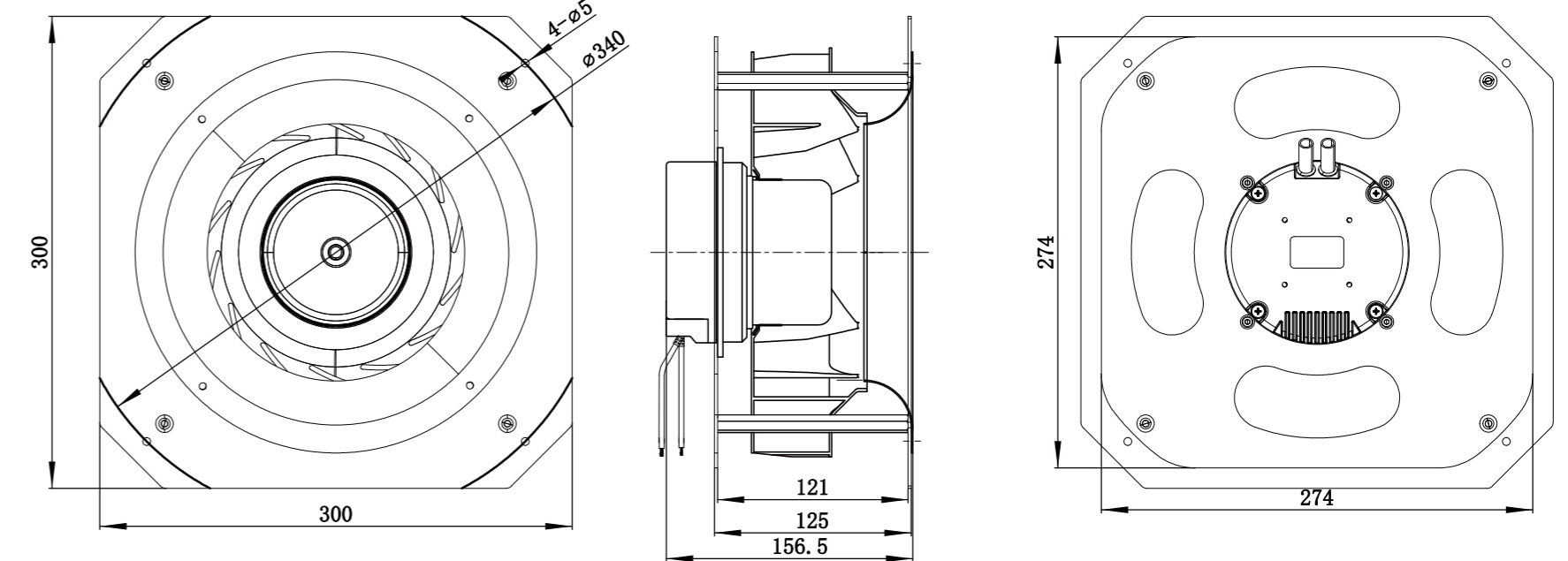
Technical Specifications

Model	Voltage (V)	Input Power (W)	Current (A)	Air Volume (m³/h)	Static Pressure (Pa)	Speed (RPM)	Noise [dB(A)]
LWBE3G250-092PS-21	230	170	1.1	1421	556	2600	69

LWBE3G250-092NS-23 (without bracket)



LWBE3G250-092PS-21 (with bracket)



LWBE-250 Series

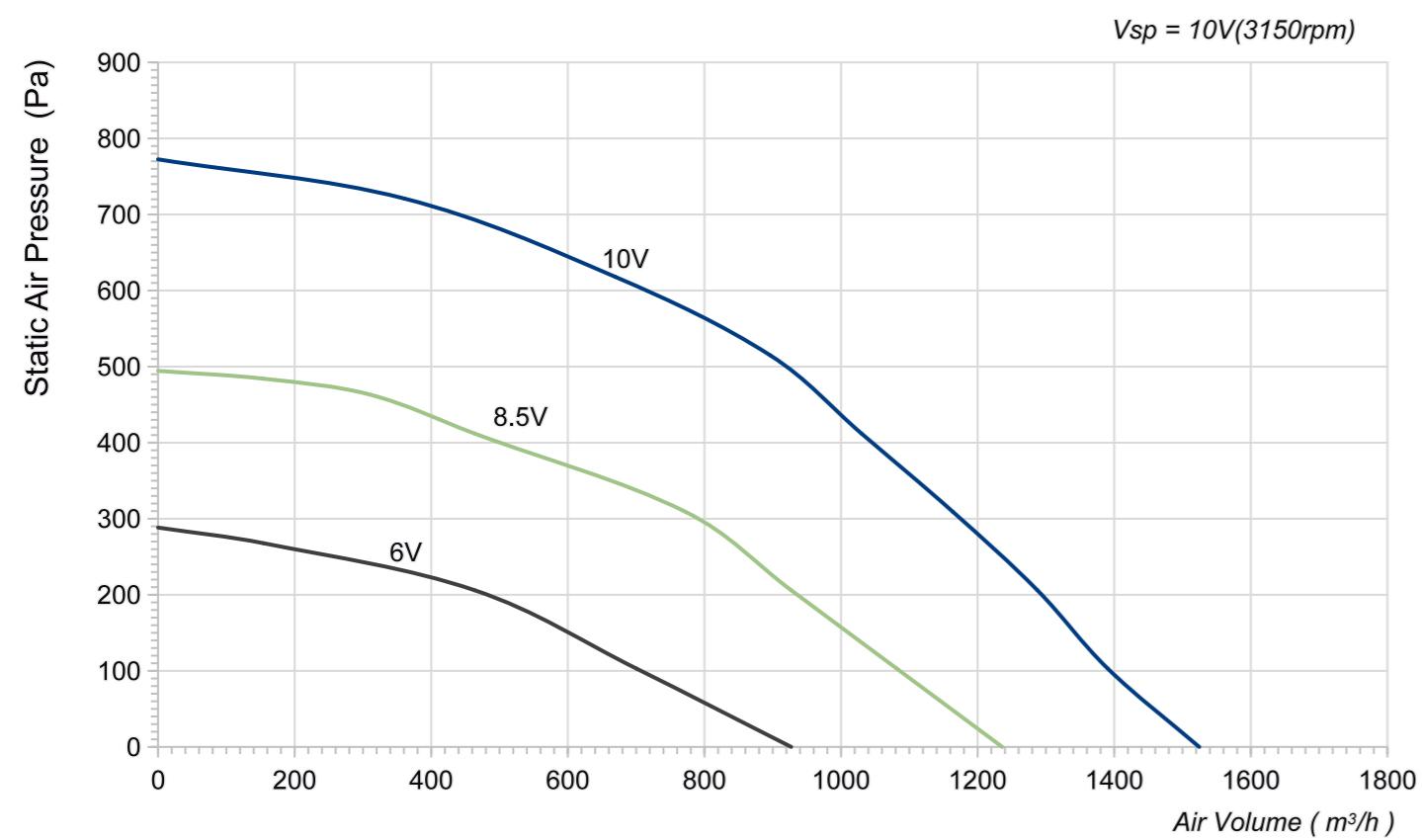
Product Characteristic

- Impeller Material: Galvanised sheet steel
- Supply Voltage: 230V/115V,50/60Hz
- Mode Of Operation: S1
- Protection Class: IP44
- Insulation Class: F
- Operation Temperature: -25°C ~ +60°C
- Technical Feature: Control input 0-10VDC/PWM, Tech output, Locked-Rotor protection, Reverse Polarity Over-voltage protection, Soft Start Protection.

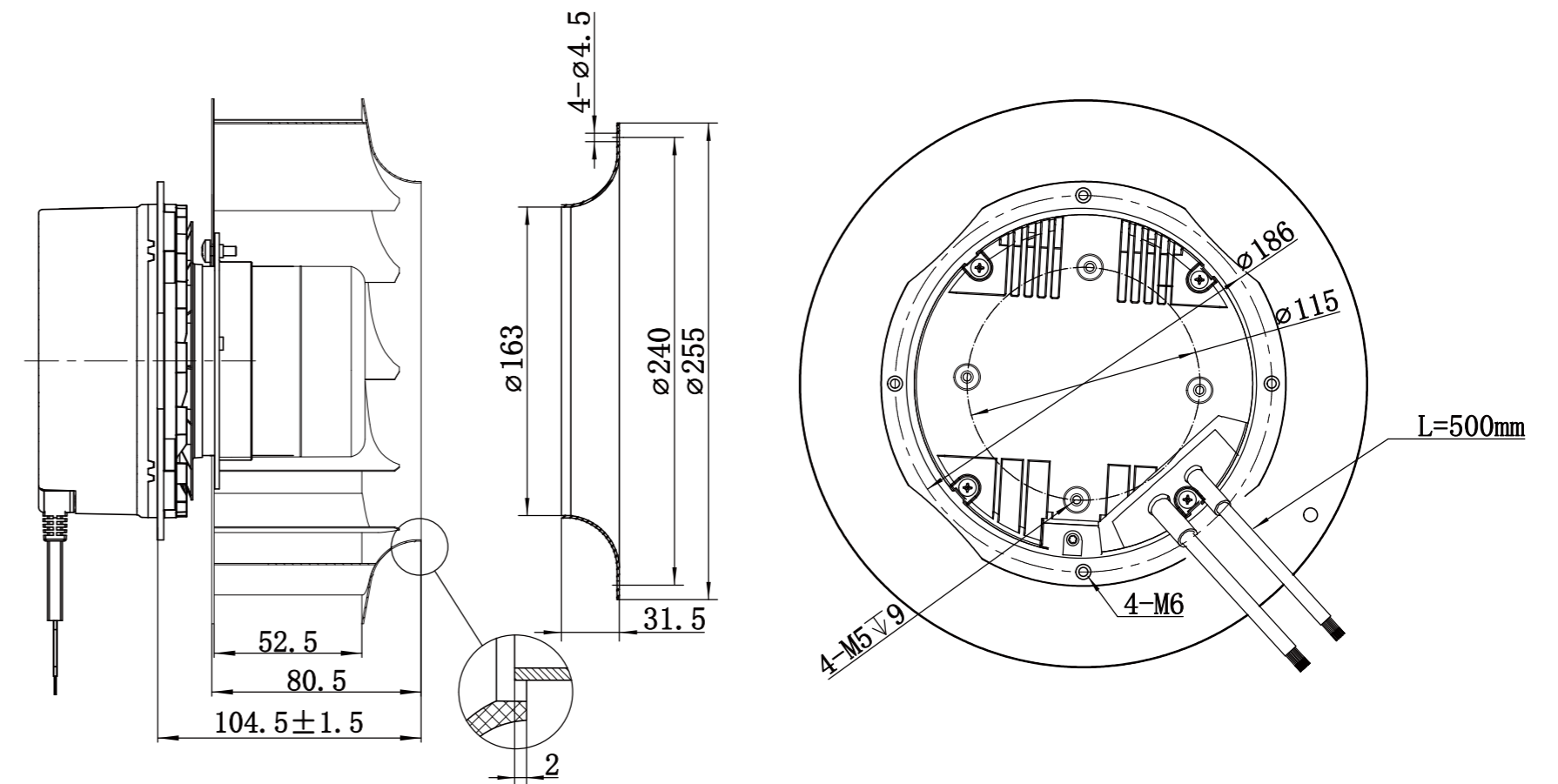


Technical Specifications

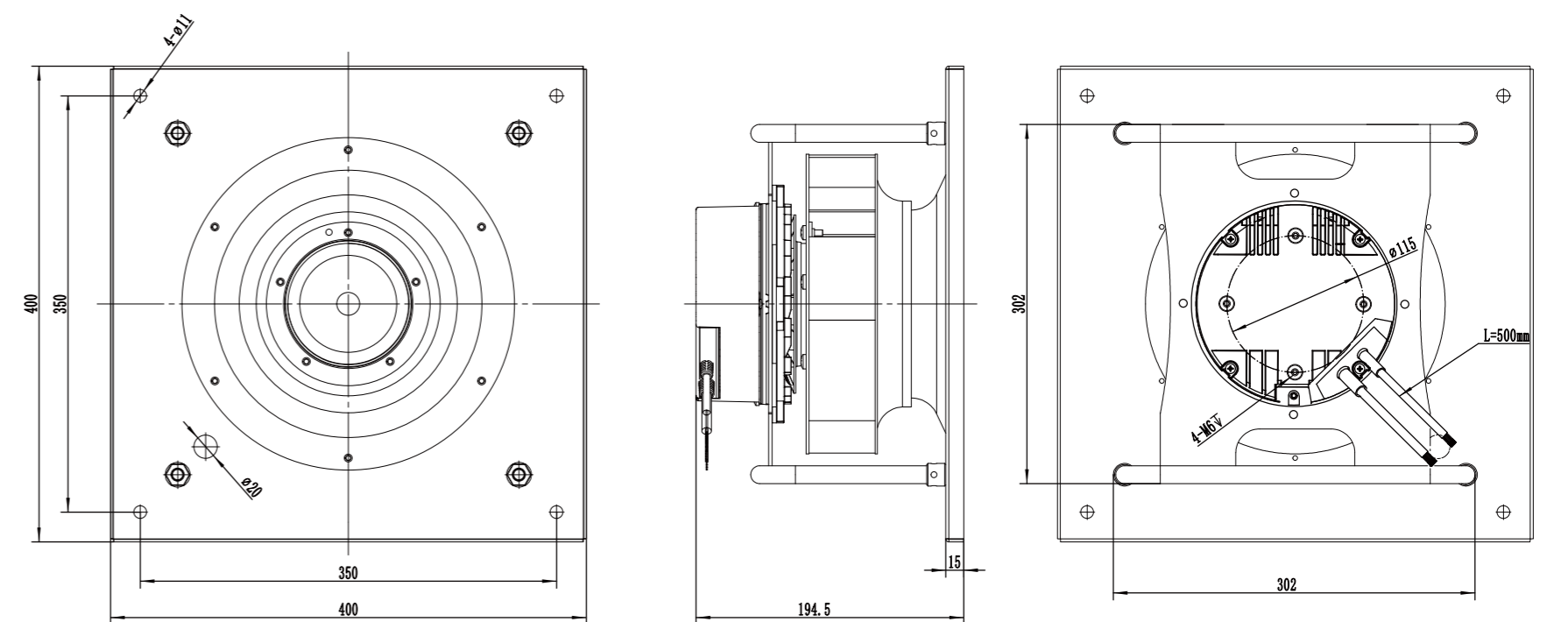
Model	Voltage (V)	Input Power (W)	Current (A)	Air Volume (m³/h)	Static Pressure (Pa)	Speed (RPM)	Noise [dB(A)]
LWBE3G250-102PS-22	230	240	1.6	1524	773	3150	78



LWBE3G250-102NS-24 (without bracket)



LWBE3G250-102PS-22 (with bracket)



LWBE-250 Series

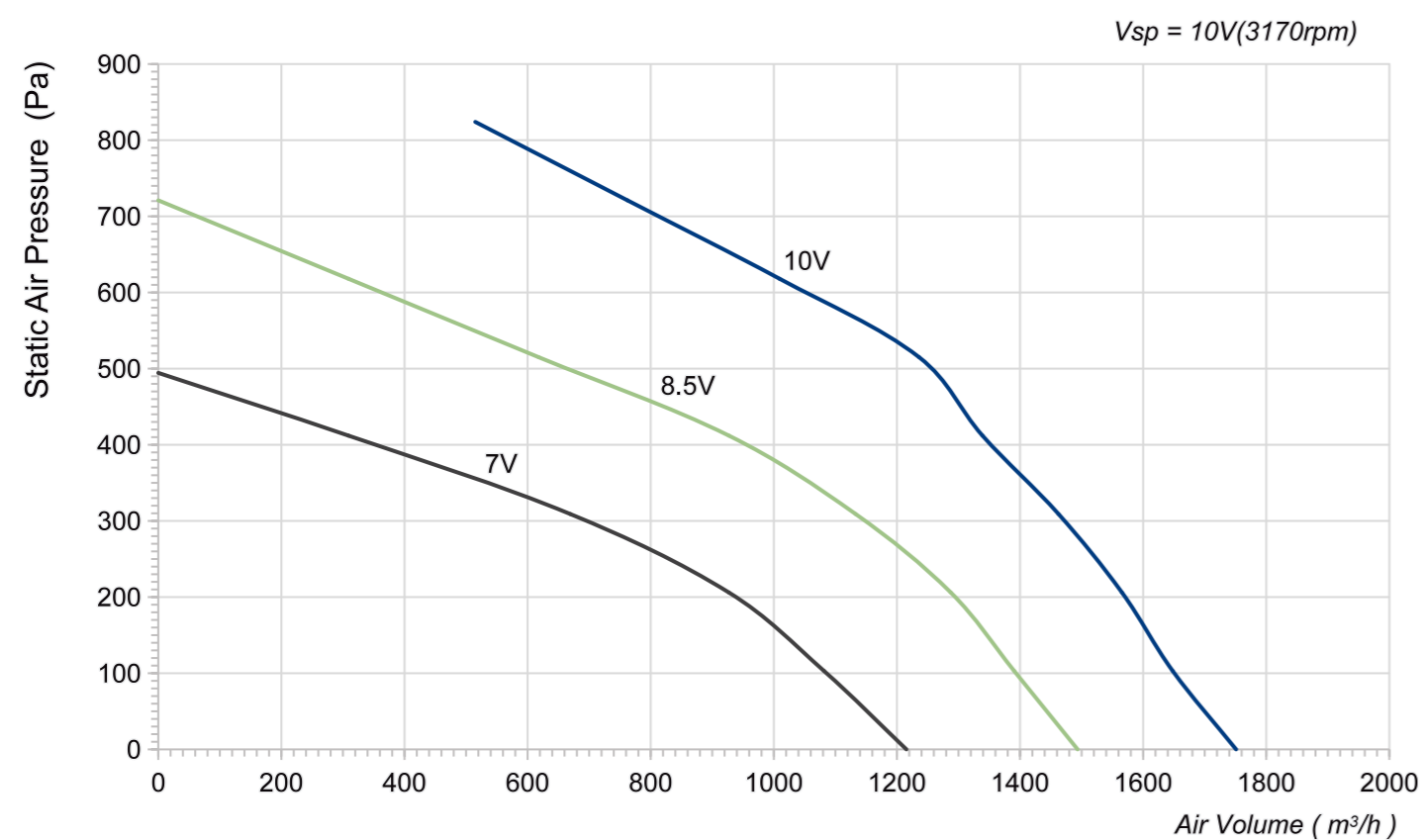
Product Characteristic

- Impeller Material: Aluminum Alloy
- Supply Voltage: 230V/115V,50/60Hz
- Mode Of Operation: S1
- Protection Class: IP44
- Insulation Class: B
- Operation Temperature: -25°C ~ +60°C
- Technical Feature: Control input 0-10VDC/PWM, Tech output, Locked-Rotor protection, Reverse Polarity Over-voltage protection, Soft Start Protection.

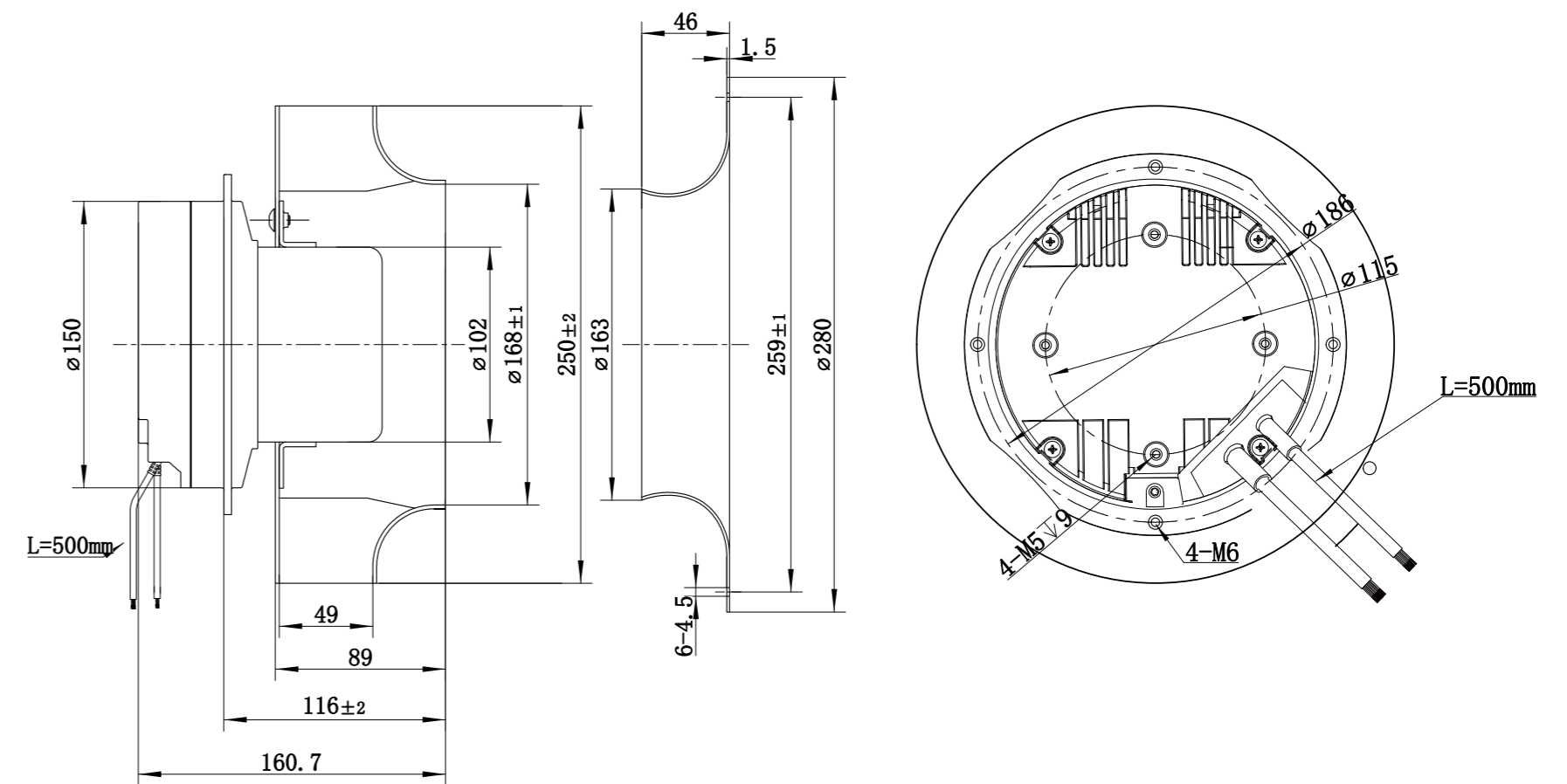


Technical Specifications

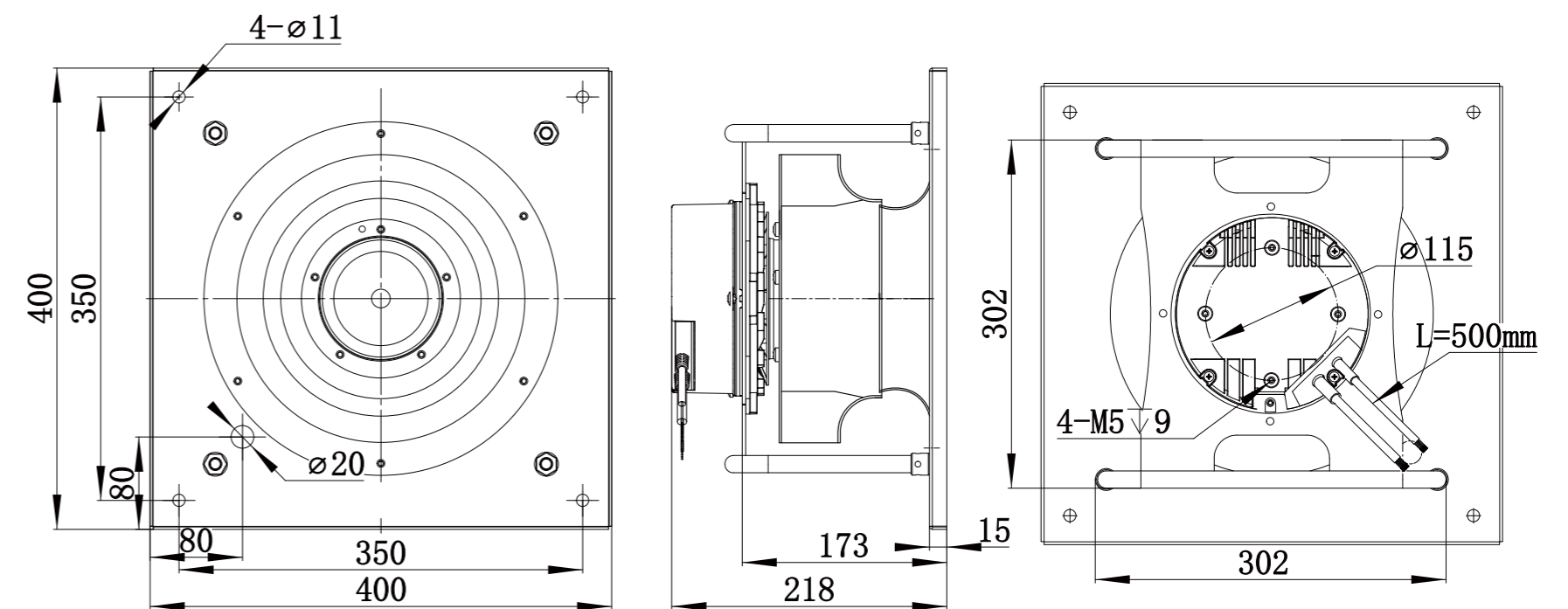
Model	Voltage (V)	Input Power (W)	Current (A)	Air Volume (m³/h)	Static Pressure (Pa)	Speed (RPM)	Noise [dB(A)]
LWBE3G250-102PS-23	230	270	1.2	1751	824	3170	84



LWBE3G250-102NS-25 (without bracket)



LWBE3G250-102PS-23 (with bracket)



LWBE-250 Series

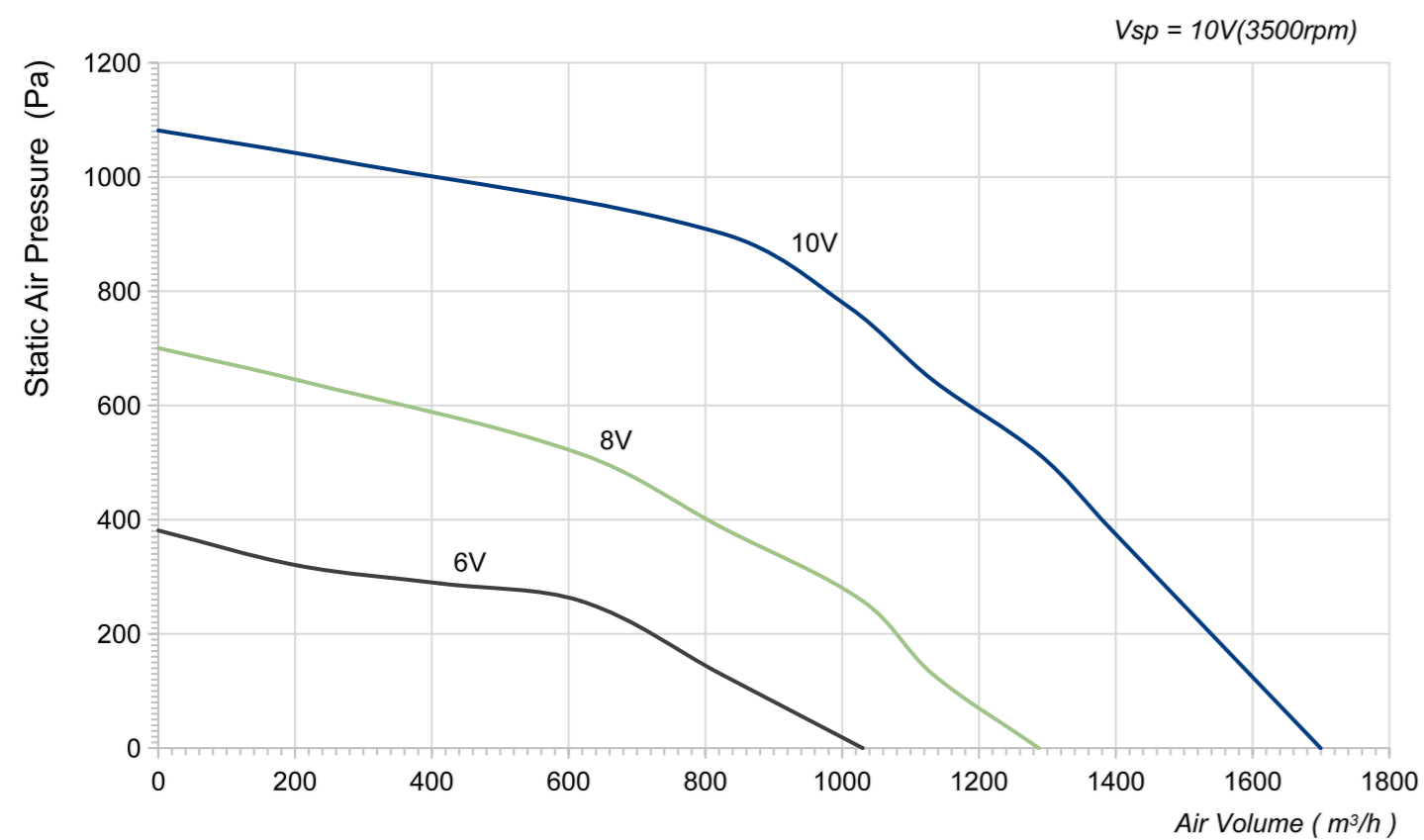
Product Characteristic

- Impeller Material: Aluminum Alloy
- Supply Voltage: 230V/115V,50/60Hz
- Mode Of Operation: S1
- Protection Class: IP44
- Insulation Class: F
- Operation Temperature: -25°C ~ +60°C
- Technical Feature: Control input 0-10VDC/PWM, Tech output, Locked-Rotor protection, Reverse Polarity Over-voltage protection, Soft Start Protection.

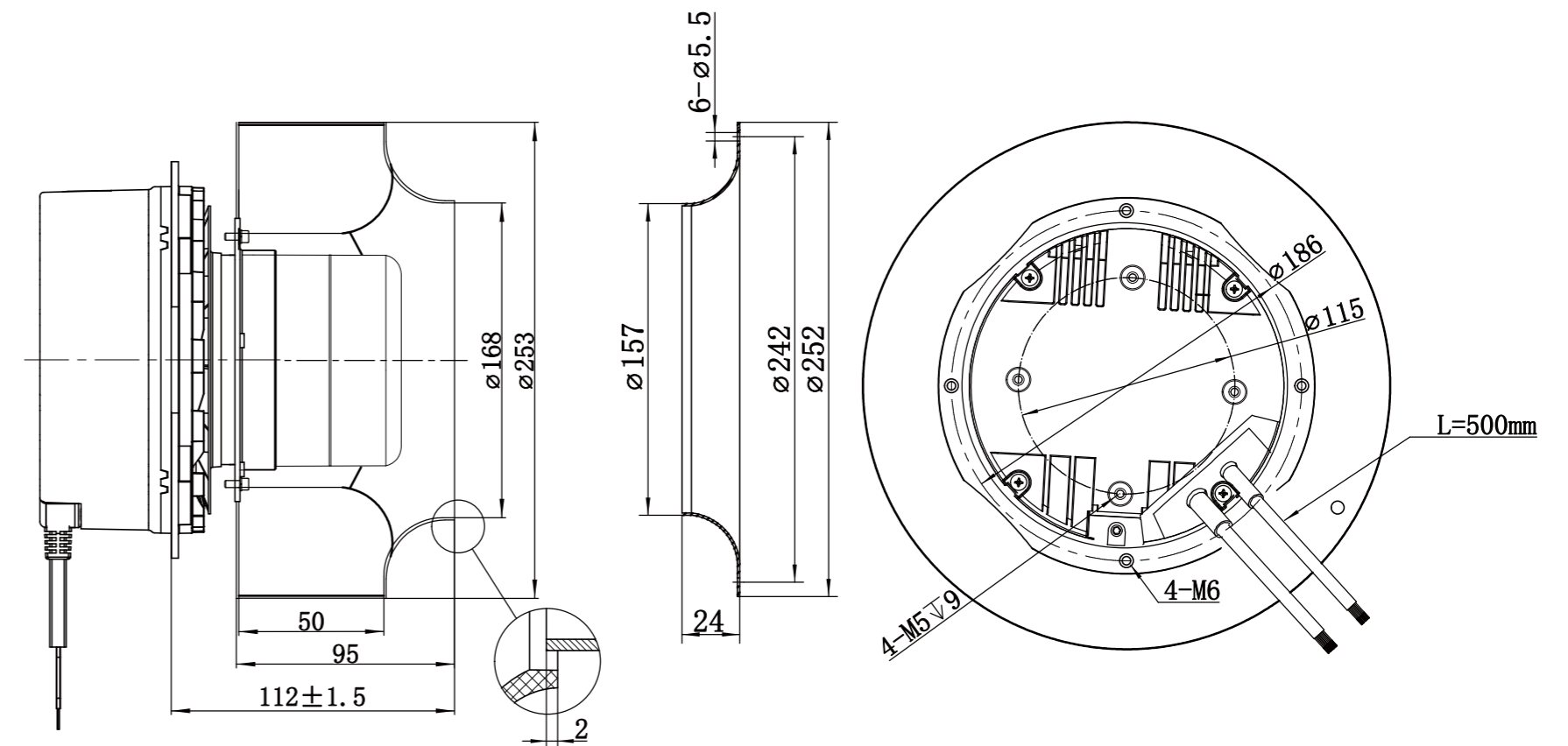


Technical Specifications

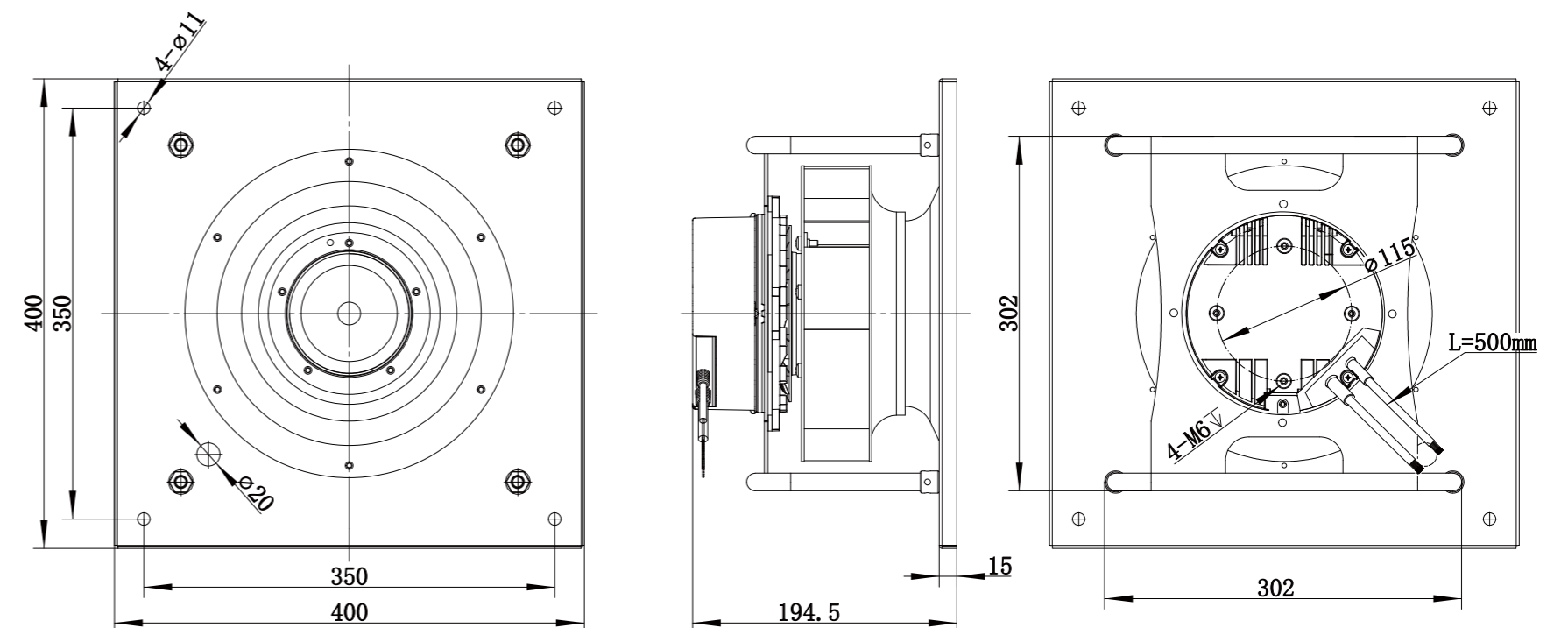
Model	Voltage (V)	Input Power (W)	Current (A)	Air Volume (m³/h)	Static Pressure (Pa)	Speed (RPM)	Noise [dB(A)]
LWBE3G250-102PS-24	230	370	2.6	1700	1082	3500	82



LWBE3G250-102NS-26 (without bracket)



LWBE3G250-102PS-24 (with bracket)



LWBE-280 Series

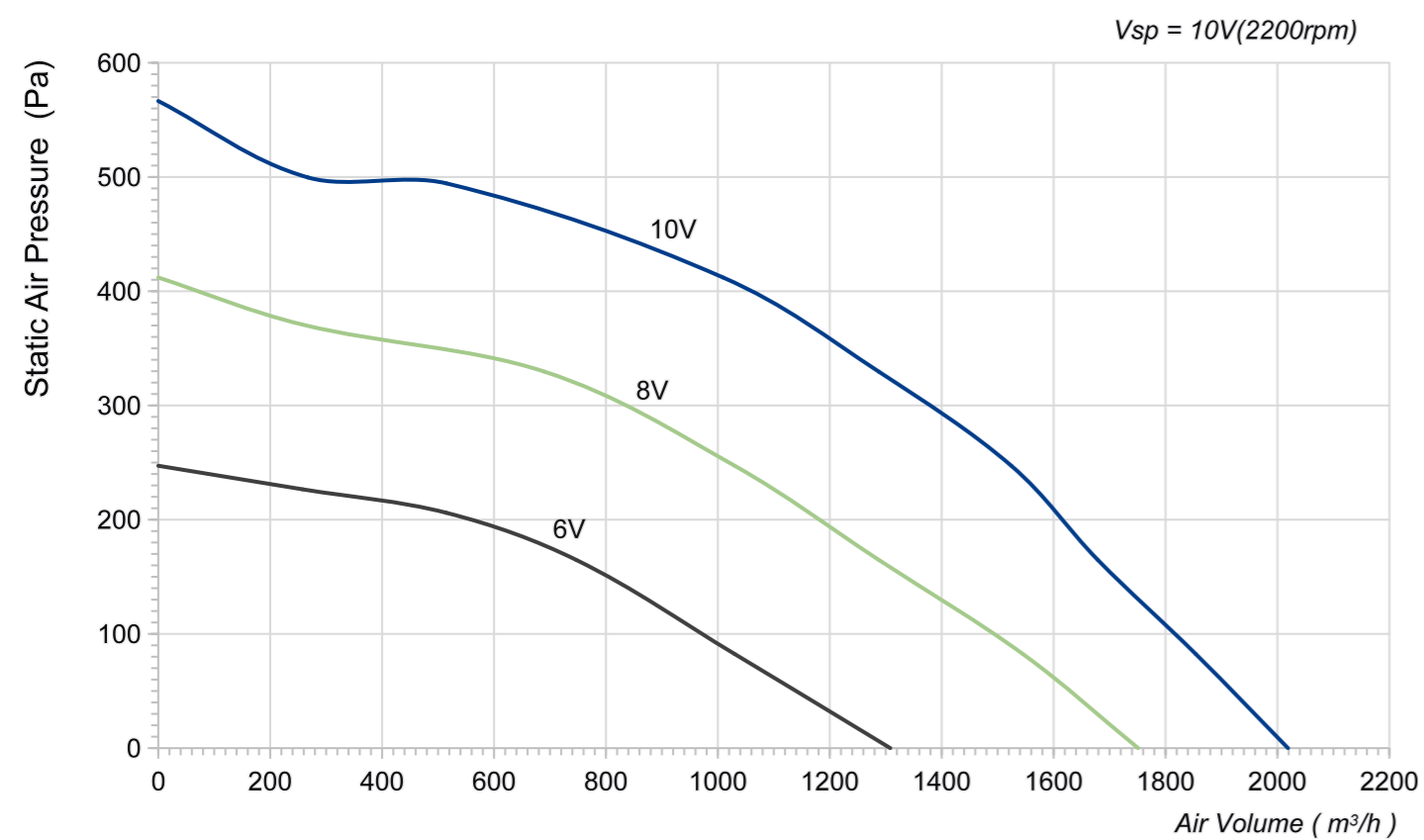
Product Characteristic

- Impeller Material: Galvanised sheet steel
- Supply Voltage: 230V/115V,50/60Hz
- Mode Of Operation: S1
- Protection Class: IP44
- Insulation Class: F
- Operation Temperature: -25°C ~ +60°C
- Technical Feature: Control input 0-10VDC/PWM, Tech output, Locked-Rotor protection, Reverse Polarity Over-voltage protection, Soft Start Protection.

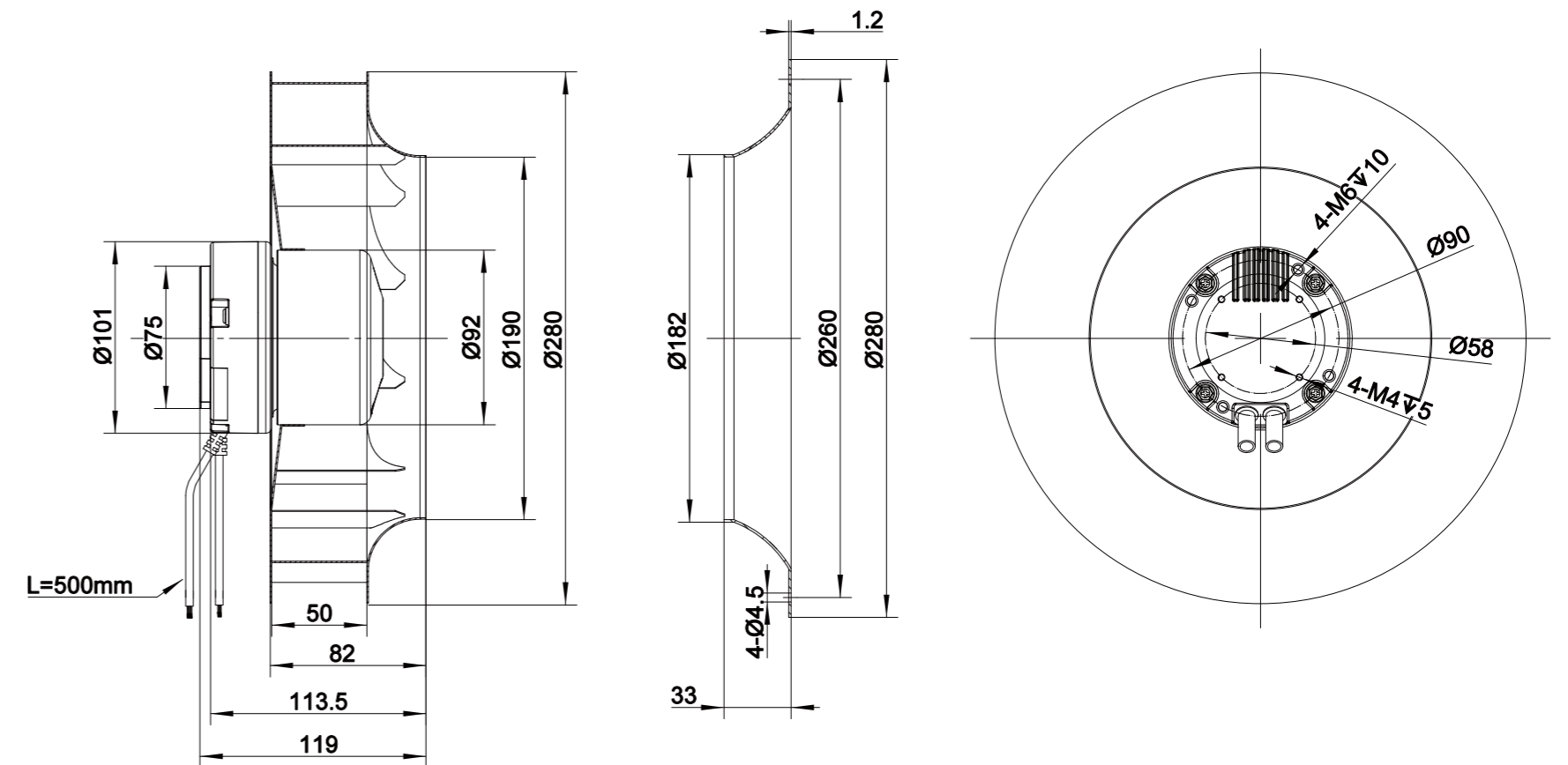


Technical Specifications

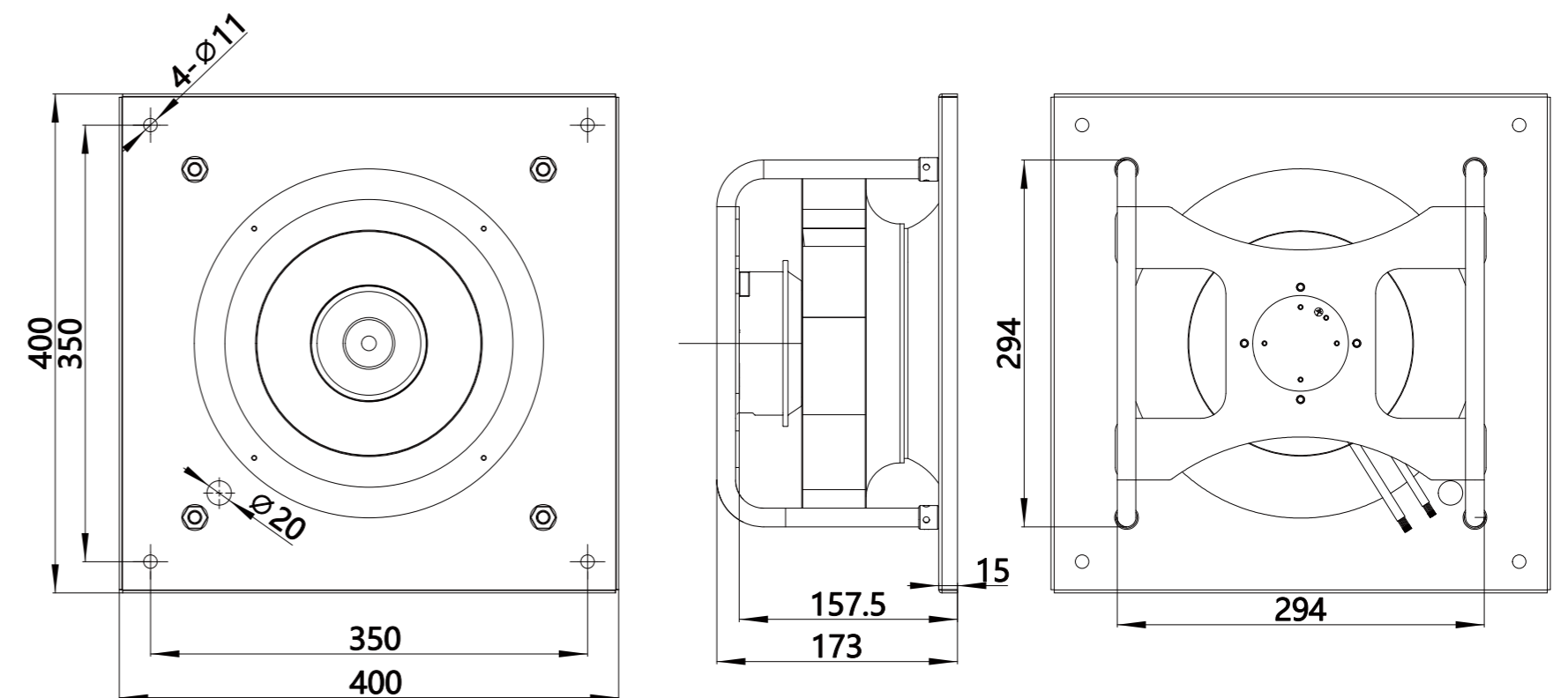
Model	Voltage (V)	Input Power (W)	Current (A)	Air Volume (m³/h)	Static Pressure (Pa)	Speed (RPM)	Noise [dB(A)]
LWBE3G280-092PS-13	230	180	1.35	2019	546	2200	72



LWBE3G280-092NS-17 (without bracket)



LWBE3G280-092PS-13 (with bracket)



LWBE-280 Series

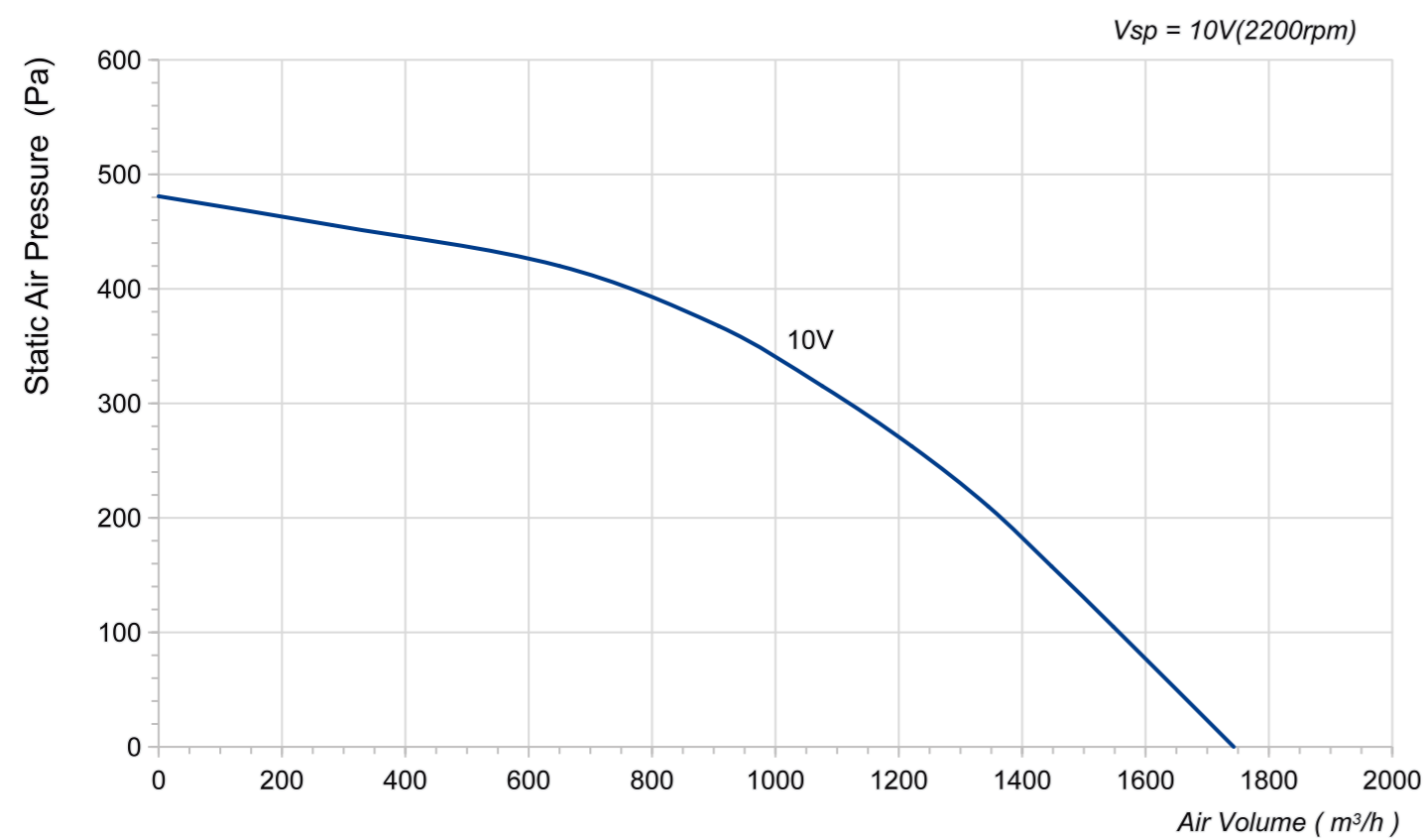
Product Characteristic

- Impeller Material: Galvanised sheet steel
- Supply Voltage: 230V/115V,50/60Hz
- Mode Of Operation: S1
- Protection Class: IP54
- Insulation Class: F
- Operation Temperature: -25°C ~ +60°C
- Technical Feature: Control input 0-10VDC/PWM, Tech output, Locked-Rotor protection, Reverse Polarity Over-voltage protection, Soft Start Protection.

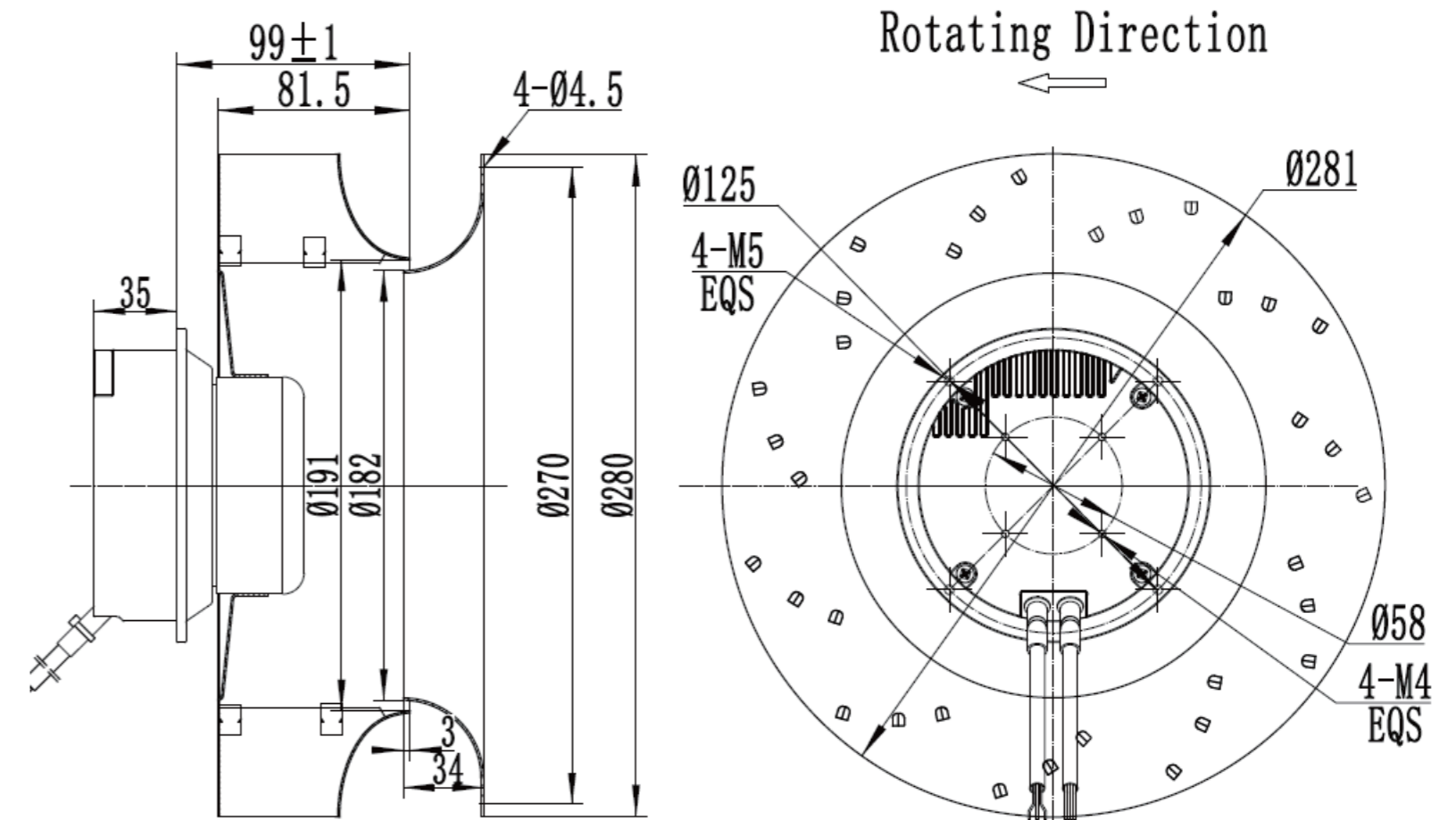


Technical Specifications

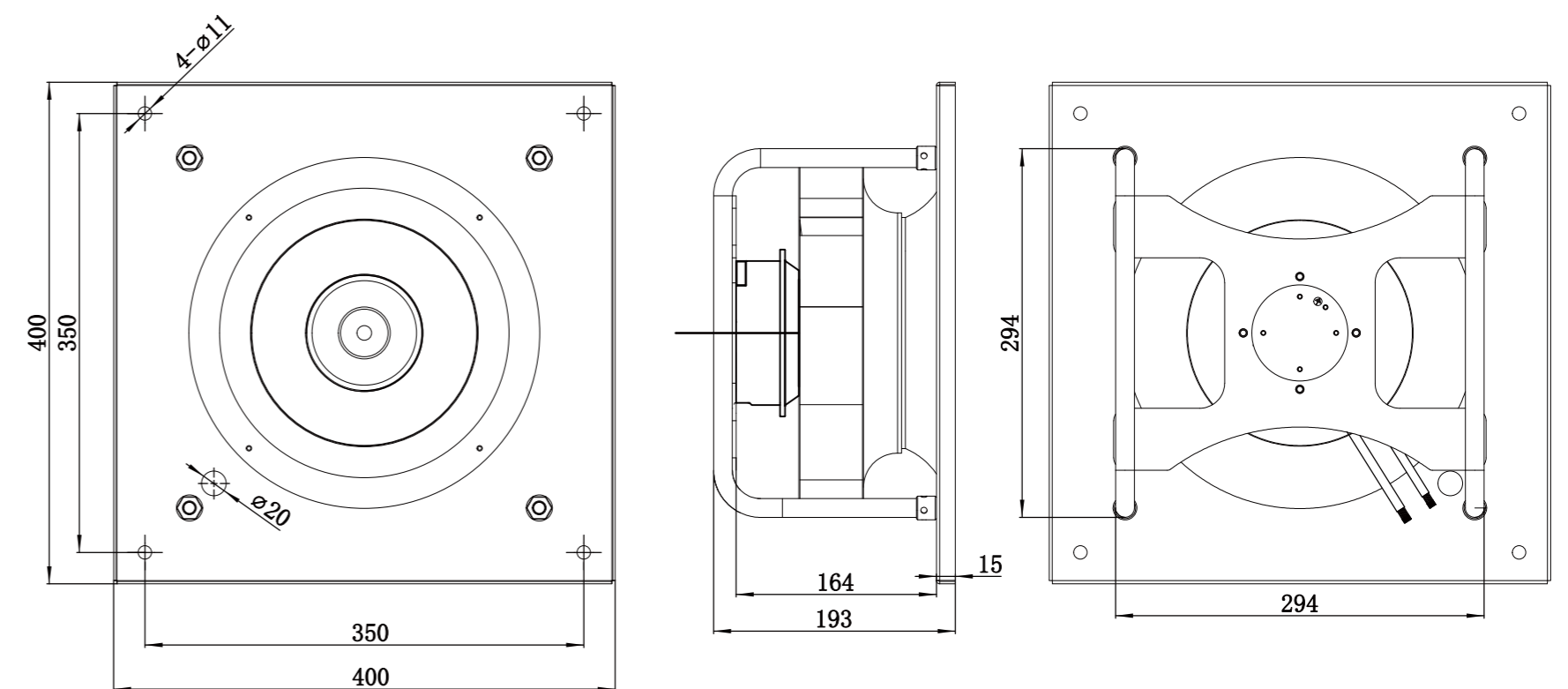
Model	Voltage (V)	Input Power (W)	Current (A)	Air Volume (m³/h)	Static Pressure (Pa)	Speed (RPM)	Noise [dB(A)]
LWBE3G280-092PS-14	230	190	0.86	1743	481	2200	/



LWBE3G280-092NS-13 (without bracket)



LWBE3G280-092PS-14 (with bracket)



LWBE-280 Series

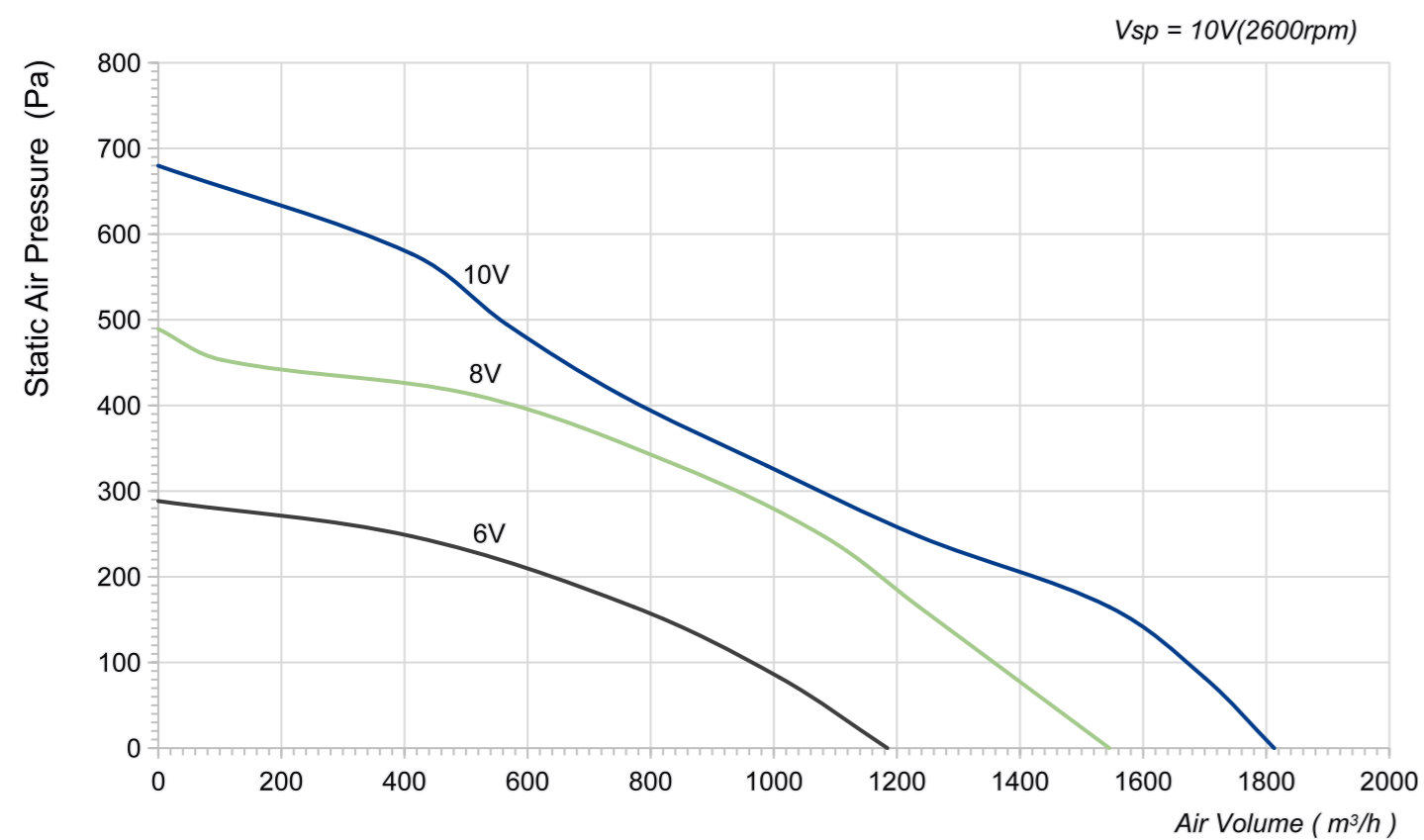
Product Characteristic

- Impeller Material: Galvanised sheet steel
- Supply Voltage: 230V/115V,50/60Hz
- Mode Of Operation: S1
- Protection Class: IP44
- Insulation Class: F
- Operation Temperature: -25°C ~ +60°C
- Technical Feature: Control input 0-10VDC/PWM, Tech output, Locked-Rotor protection, Reverse Polarity Over-voltage protection, Soft Start Protection.

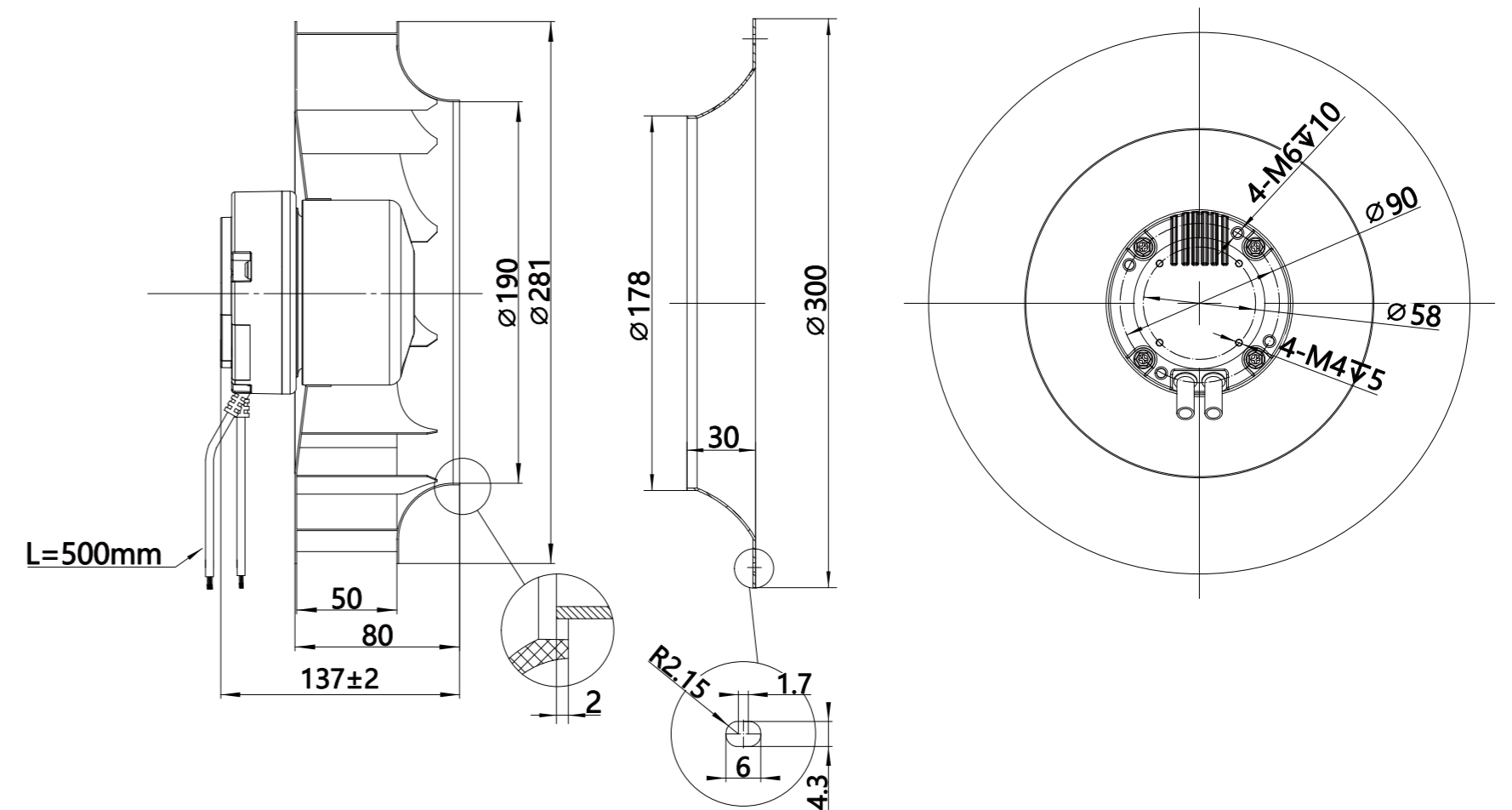


Technical Specifications

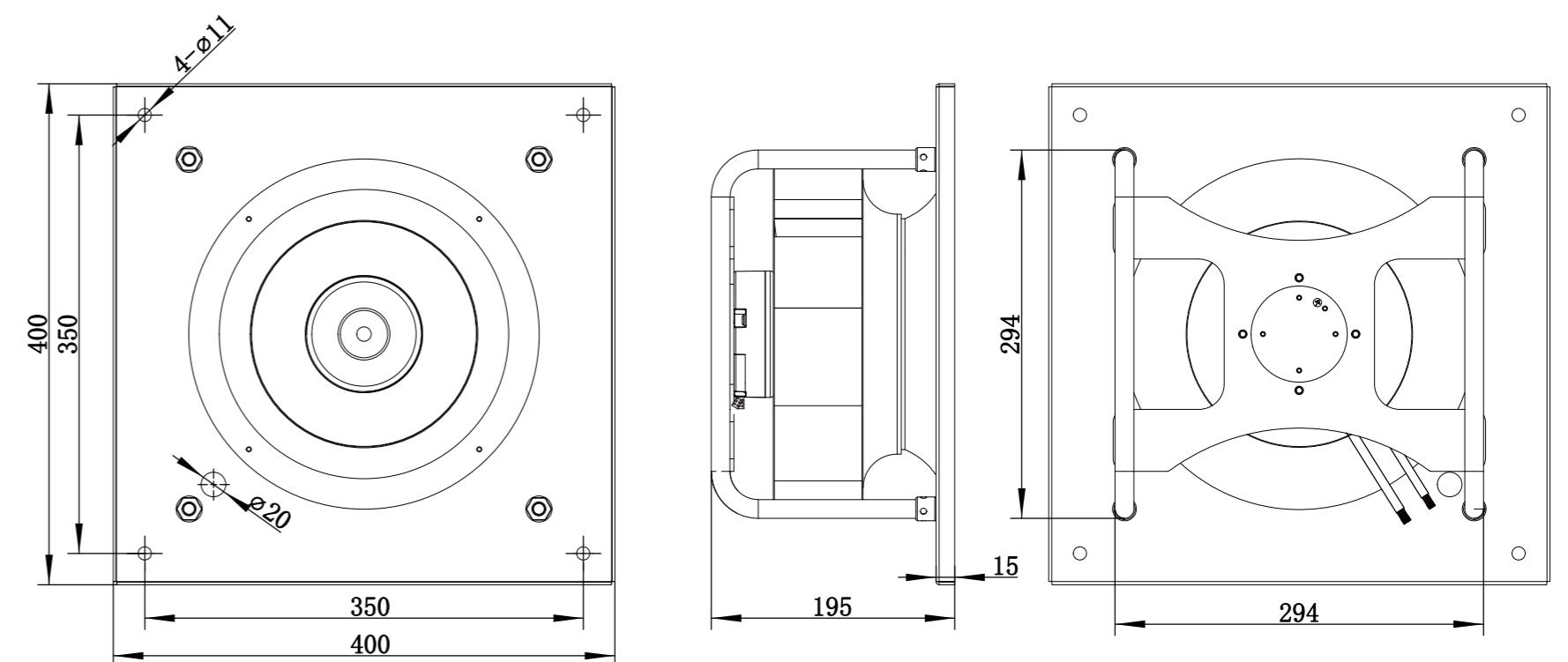
Model	Voltage (V)	Input Power (W)	Current (A)	Air Volume (m³/h)	Static Pressure (Pa)	Speed (RPM)	Noise [dB(A)]
LWBE3G280-092PS-15	230	165	1.25	1813	680	2600	74



LWBE3G280-092NS-12 (without bracket)



LWBE3G280-092PS-15 (with bracket)



LWBE-280 Series

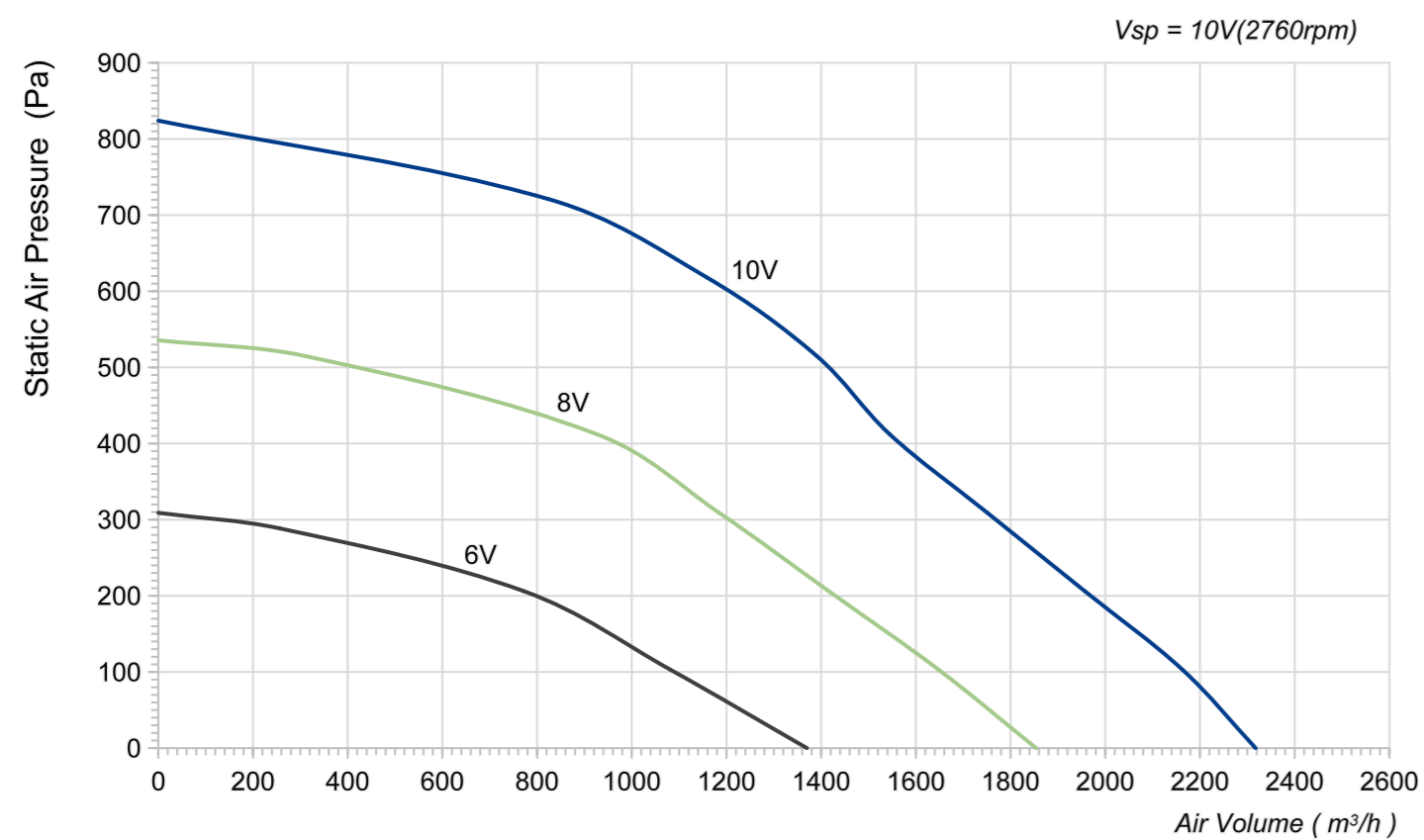
Product Characteristic

- Impeller Material: Aluminum Alloy
- Supply Voltage: 230V/115V,50/60Hz
- Mode Of Operation: S1
- Protection Class: IP44
- Insulation Class: F
- Operation Temperature: -25°C ~ +60°C
- Technical Feature: Control input 0-10VDC/PWM, Tech output, Locked-Rotor protection, Reverse Polarity Over-voltage protection, Soft Start Protection.

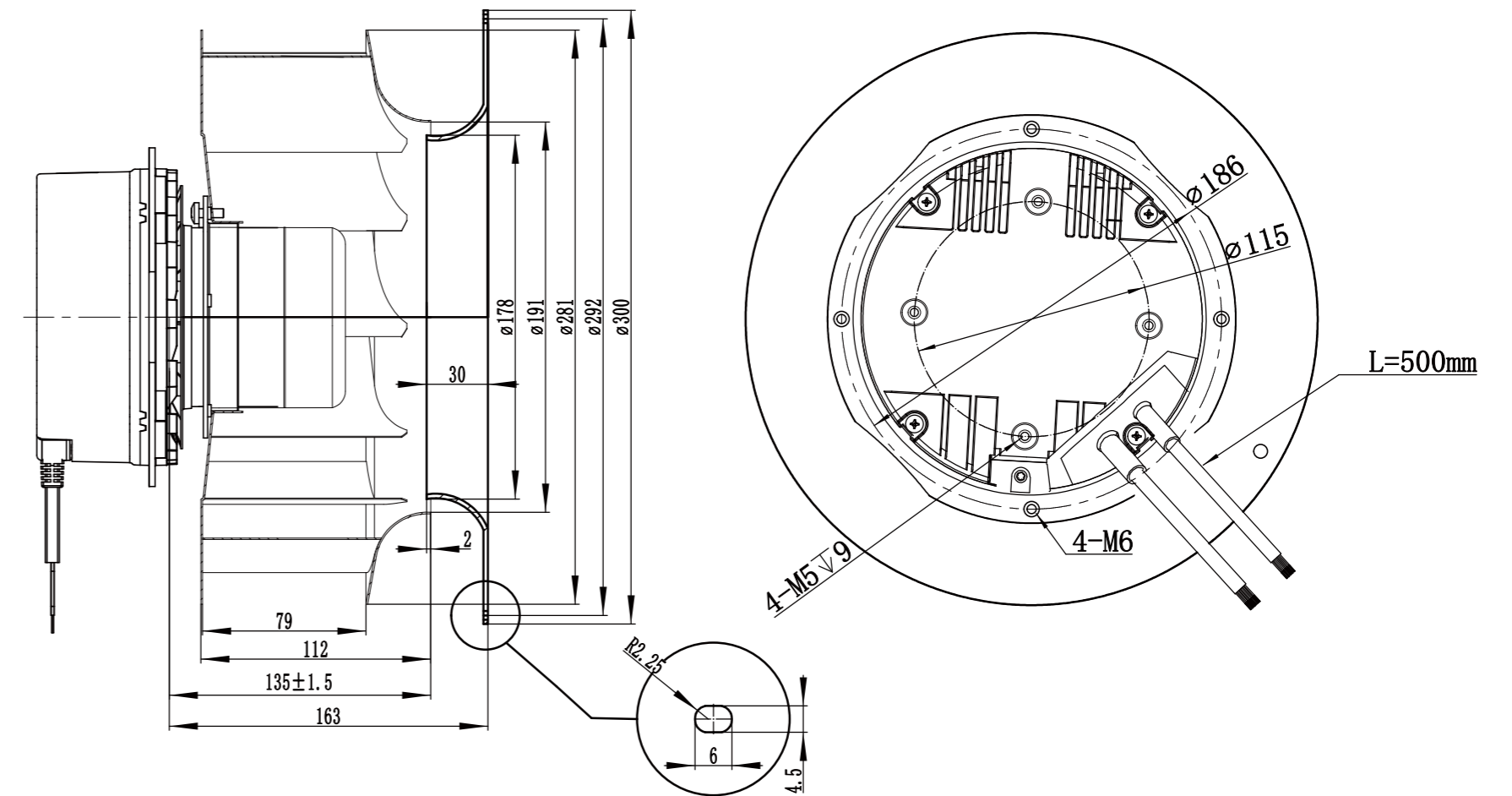


Technical Specifications

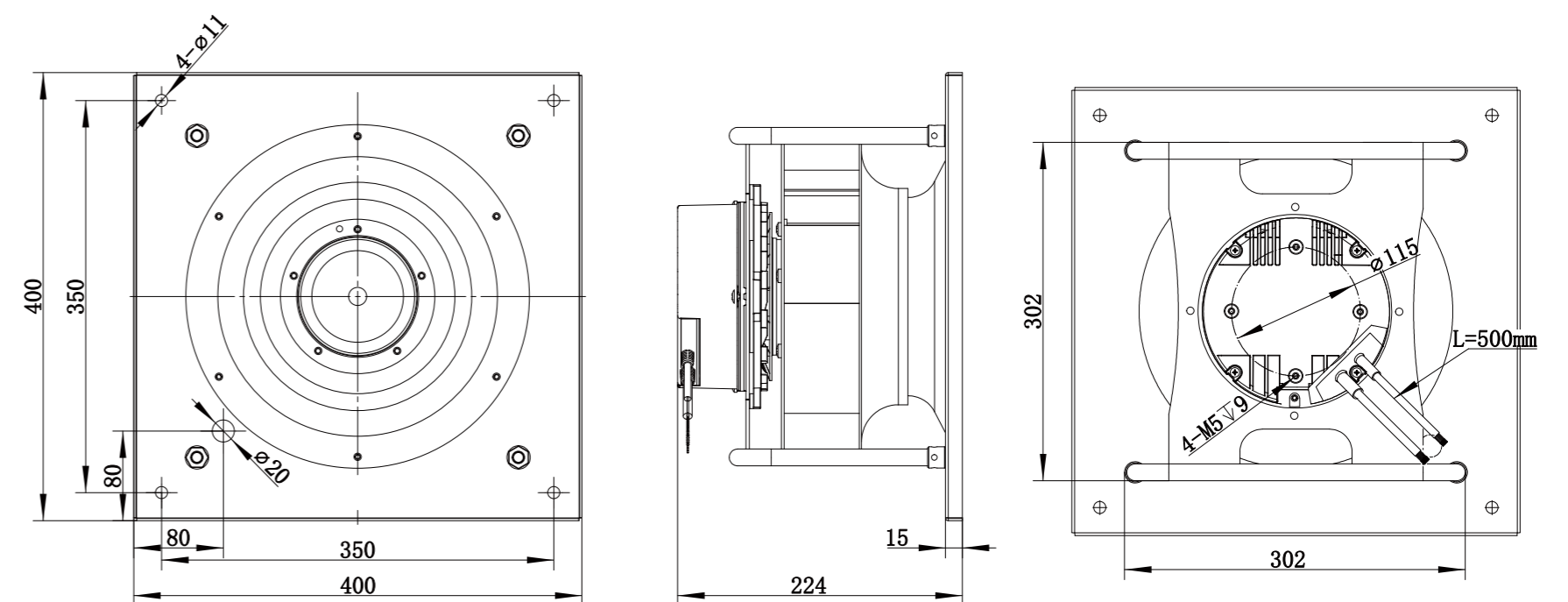
Model	Voltage (V)	Input Power (W)	Current (A)	Air Volume (m³/h)	Static Pressure (Pa)	Speed (RPM)	Noise [dB(A)]
LWBE3G280-102PS-16	230	340	2.3	2318	824	2760	78



LWBE3G280-102NS-14 (without bracket)



LWBE3G280-102PS-16 (with bracket)



LWBE-280 Series

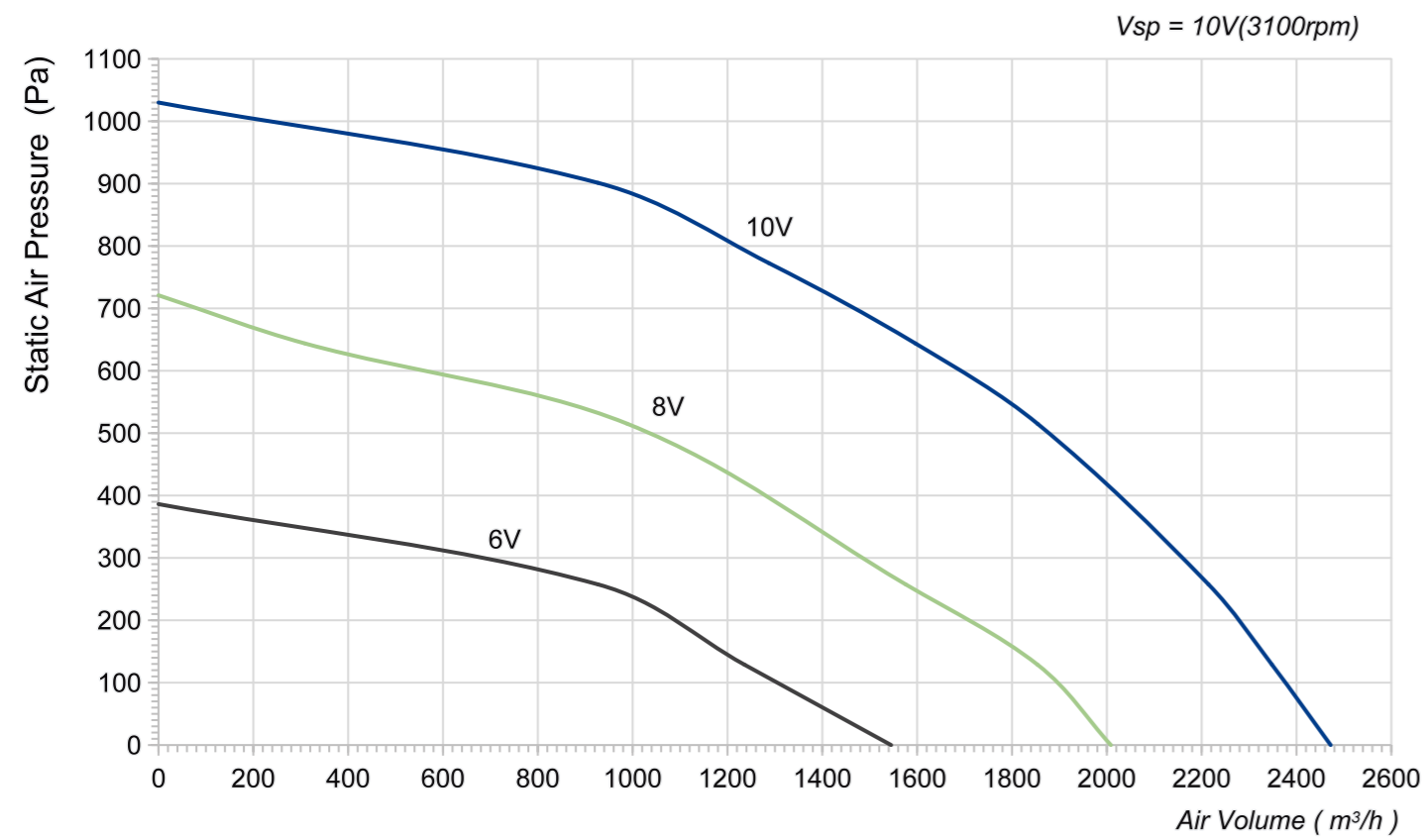
Product Characteristic

- Impeller Material: Aluminum Alloy
- Supply Voltage: 230V/115V,50/60Hz
- Mode Of Operation: S1
- Protection Class: IP44
- Insulation Class: F
- Operation Temperature: -25°C ~ +60°C
- Technical Feature: Control input 0-10VDC/PWM, Tech output, Locked-Rotor protection, Reverse Polarity Over-voltage protection, Soft Start Protection.

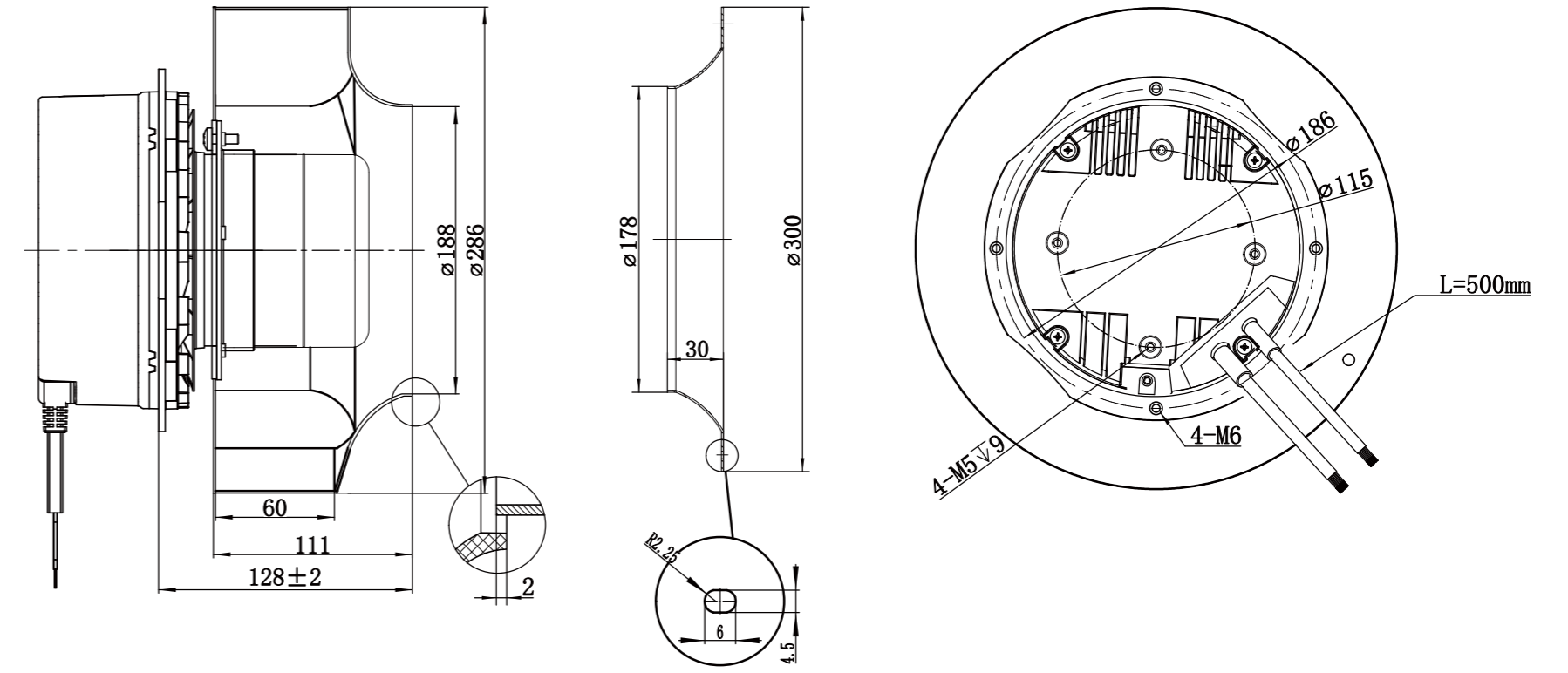


Technical Specifications

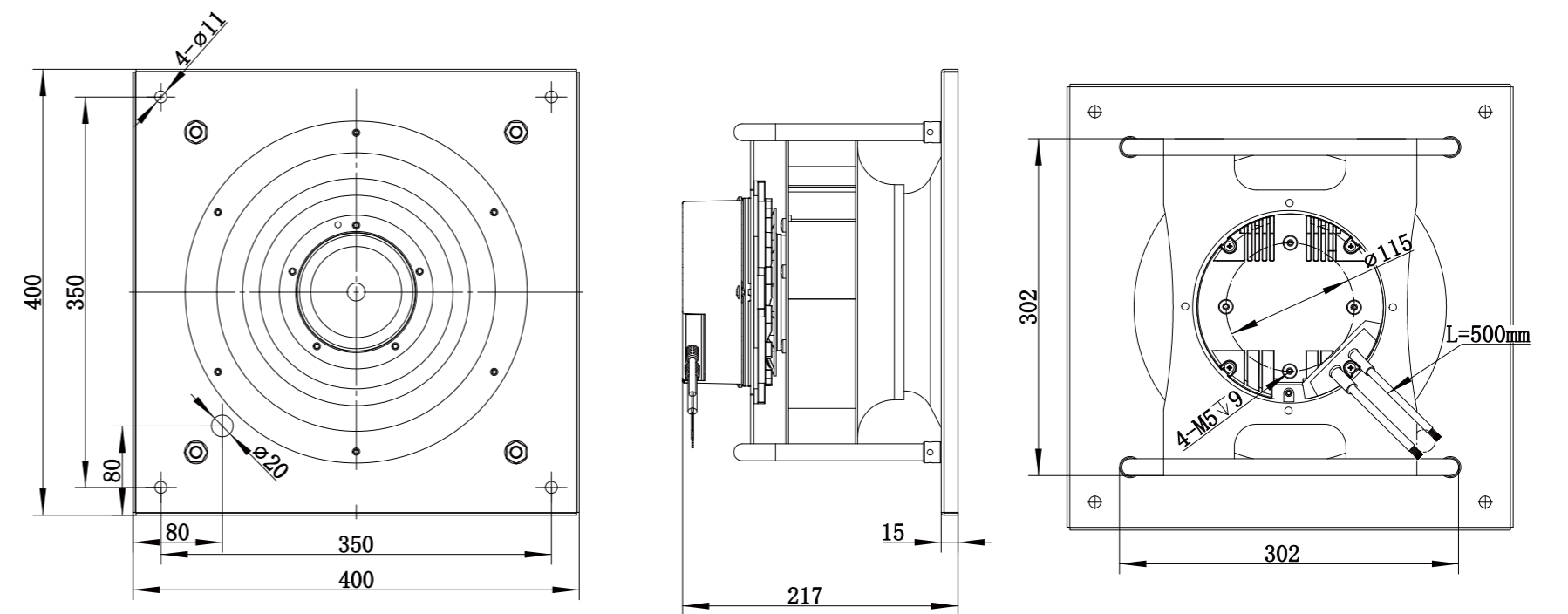
Model	Voltage (V)	Input Power (W)	Current (A)	Air Volume (m³/h)	Static Pressure (Pa)	Speed (RPM)	Noise [dB(A)]
LWBE3G280-102PS-18	230	475	3.1	2472	1051	3100	82



LWBE3G280-102NS-15 (without bracket)



LWBE3G280-102PS-18 (with bracket)



LWBE-280 Series

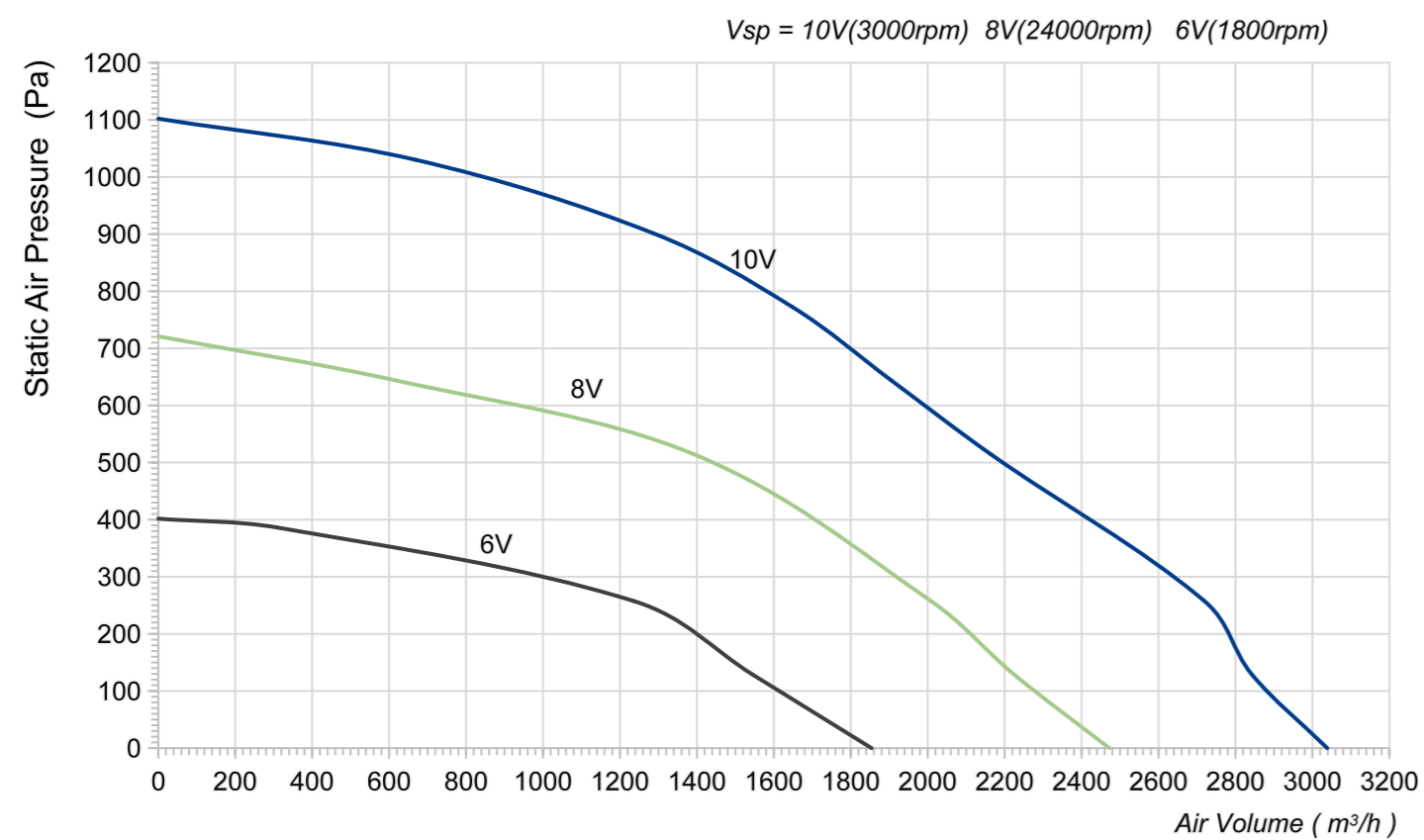
Product Characteristic

- Impeller Material: Galvanised sheet steel
- Supply Voltage: 230V/115V,50/60Hz
- Mode Of Operation: S1
- Protection Class: IP44
- Insulation Class: F
- Operation Temperature: -25°C ~ +60°C
- Technical Feature: Control input 0-10VDC/PWM, Tech output, Locked-Rotor protection, Reverse Polarity Over-voltage protection, Soft Start Protection.

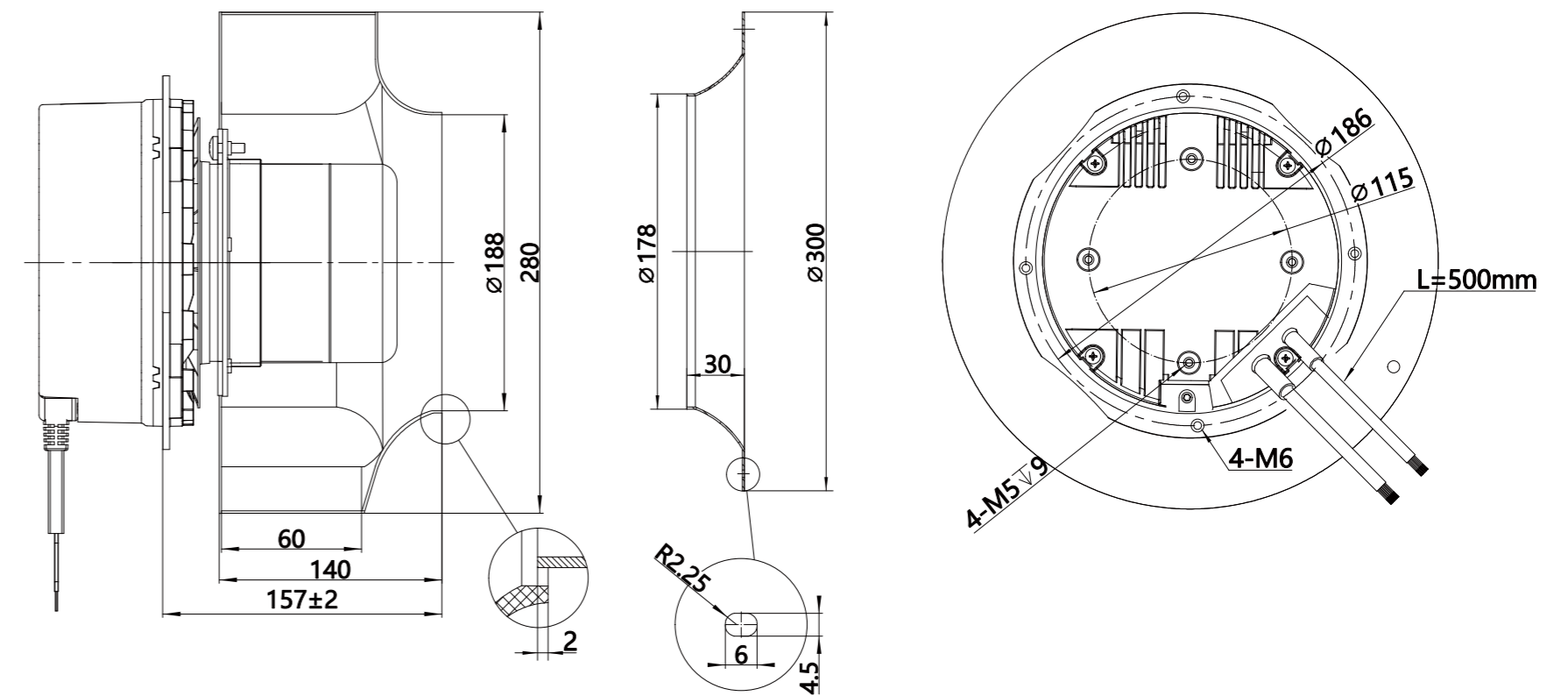


Technical Specifications

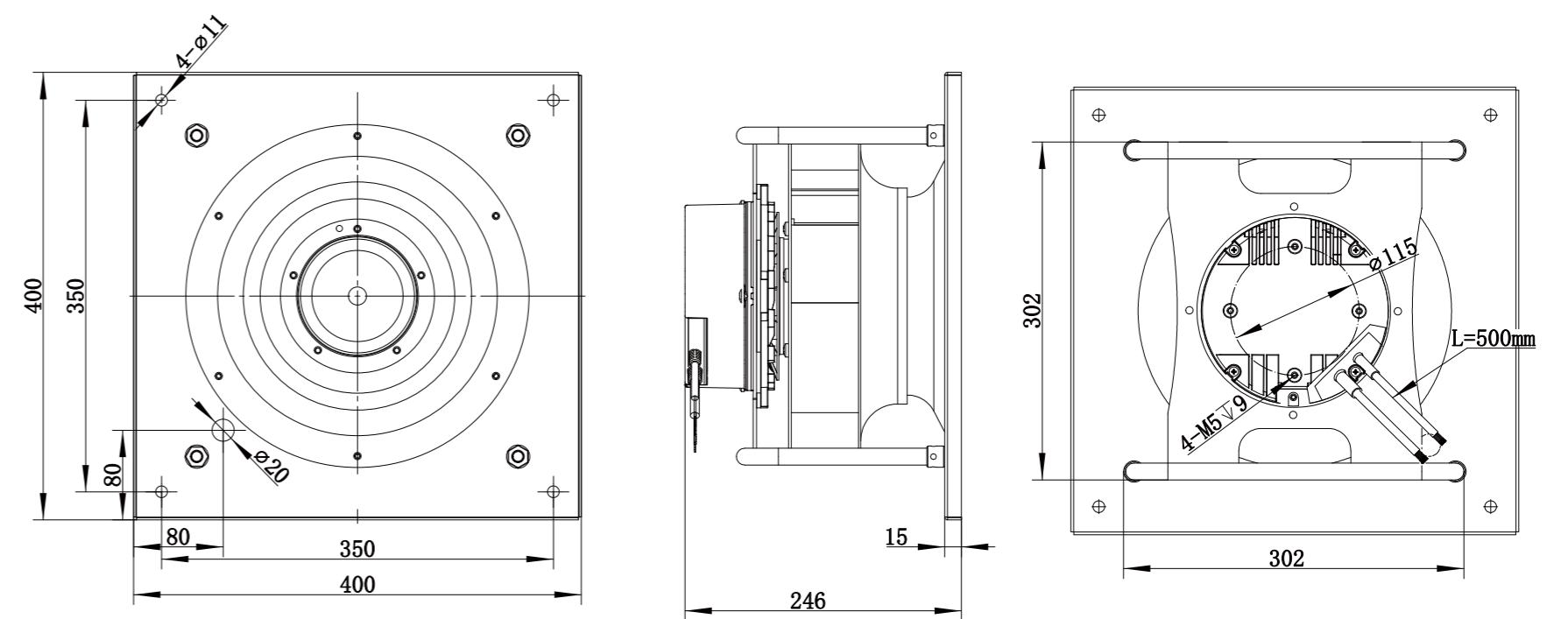
Model	Voltage (V)	Input Power (W)	Current (A)	Air Volume (m³/h)	Static Pressure (Pa)	Speed (RPM)	Noise [dB(A)]
LWBE3G280-102PS-19	230	625	4	3039	1102	3000	82



LWBE3G280-102NS-19 (without bracket)



LWBE3G280-102PS-19 (with bracket)



LWBE-280 Series

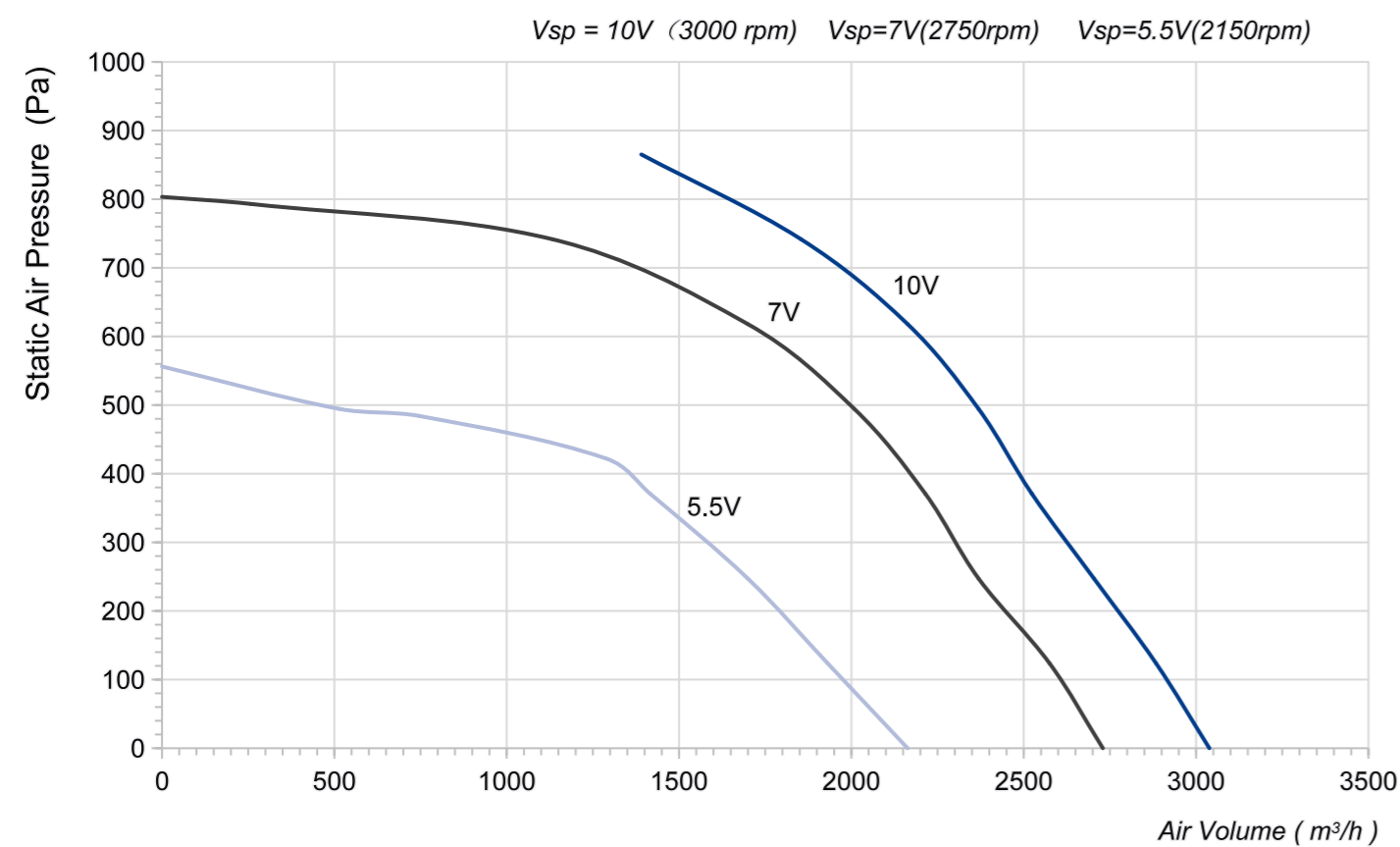
Product Characteristic

- Impeller Material: Aluminum Alloy
- Supply Voltage: 400V,50/60Hz
- Mode Of Operation: S1
- Protection Class: IP44
- Insulation Class: F
- Operation Temperature: -25°C ~ +60°C
- Technical Feature: Control input 0-10VDC/PWM, Tech output, Locked-Rotor protection, Reverse Polarity Over-voltage protection, Soft Start Protection.

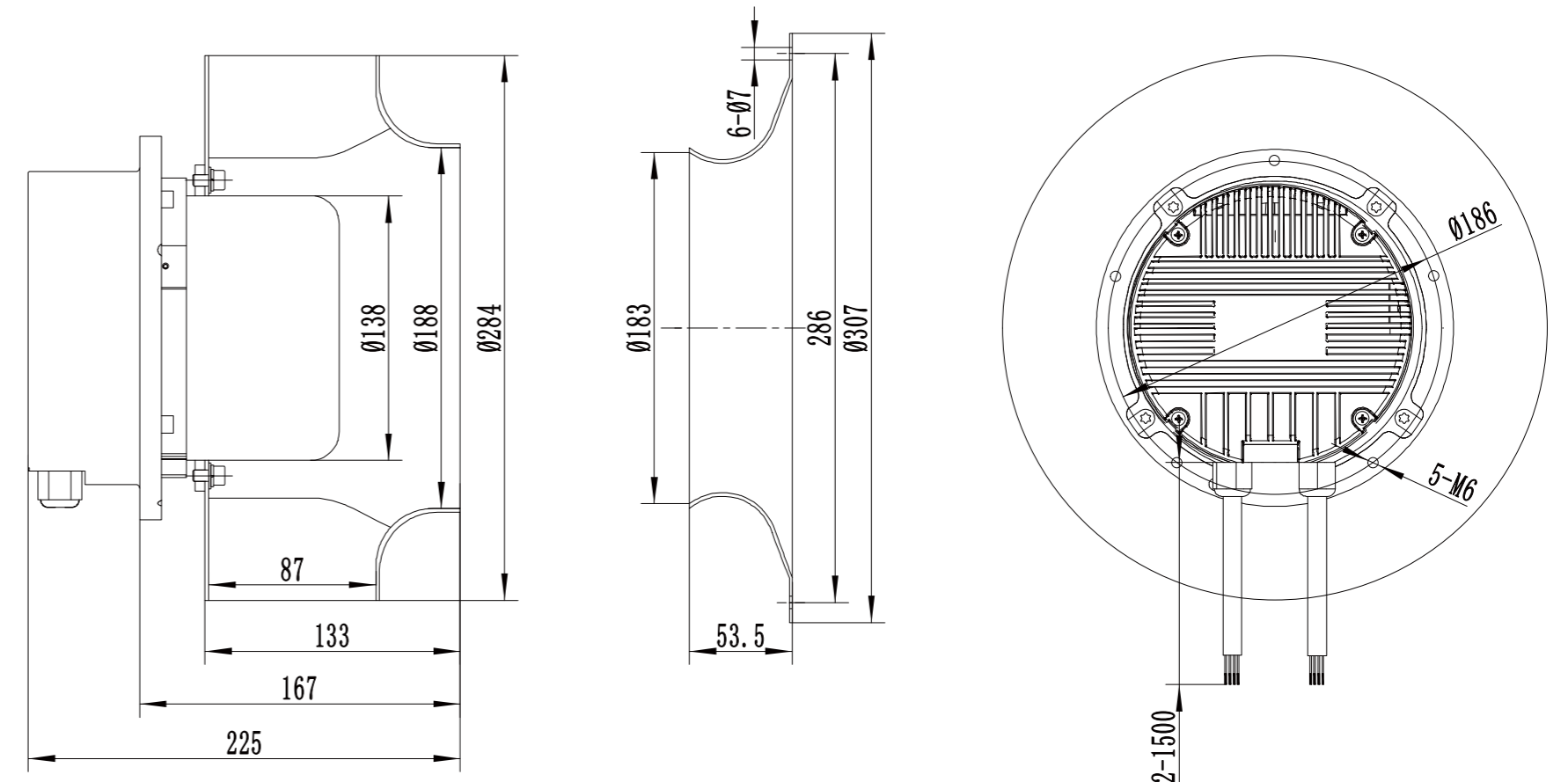


Technical Specifications

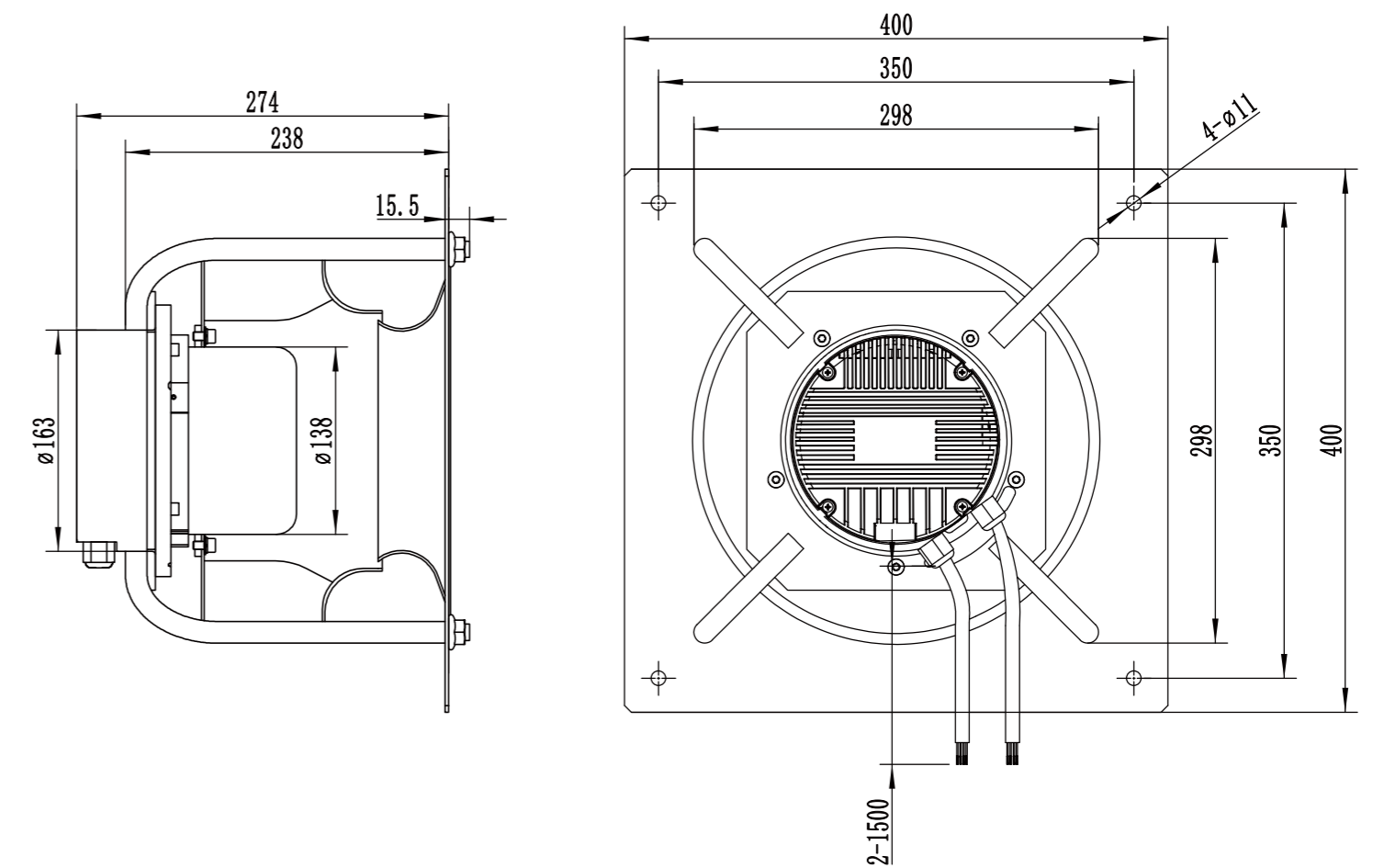
Model	Voltage (V)	Input Power (W)	Current (A)	Air Volume (m³/h)	Static Pressure (Pa)	Speed (RPM)	Noise [dB(A)]
LWBE3G280-138PT-05	400	860	1.22	3028	886	3000	85



LWBE3G280-138NT-03 (without bracket)



LWBE3G280-138PT-05 (with bracket)



LWBE-280 Series

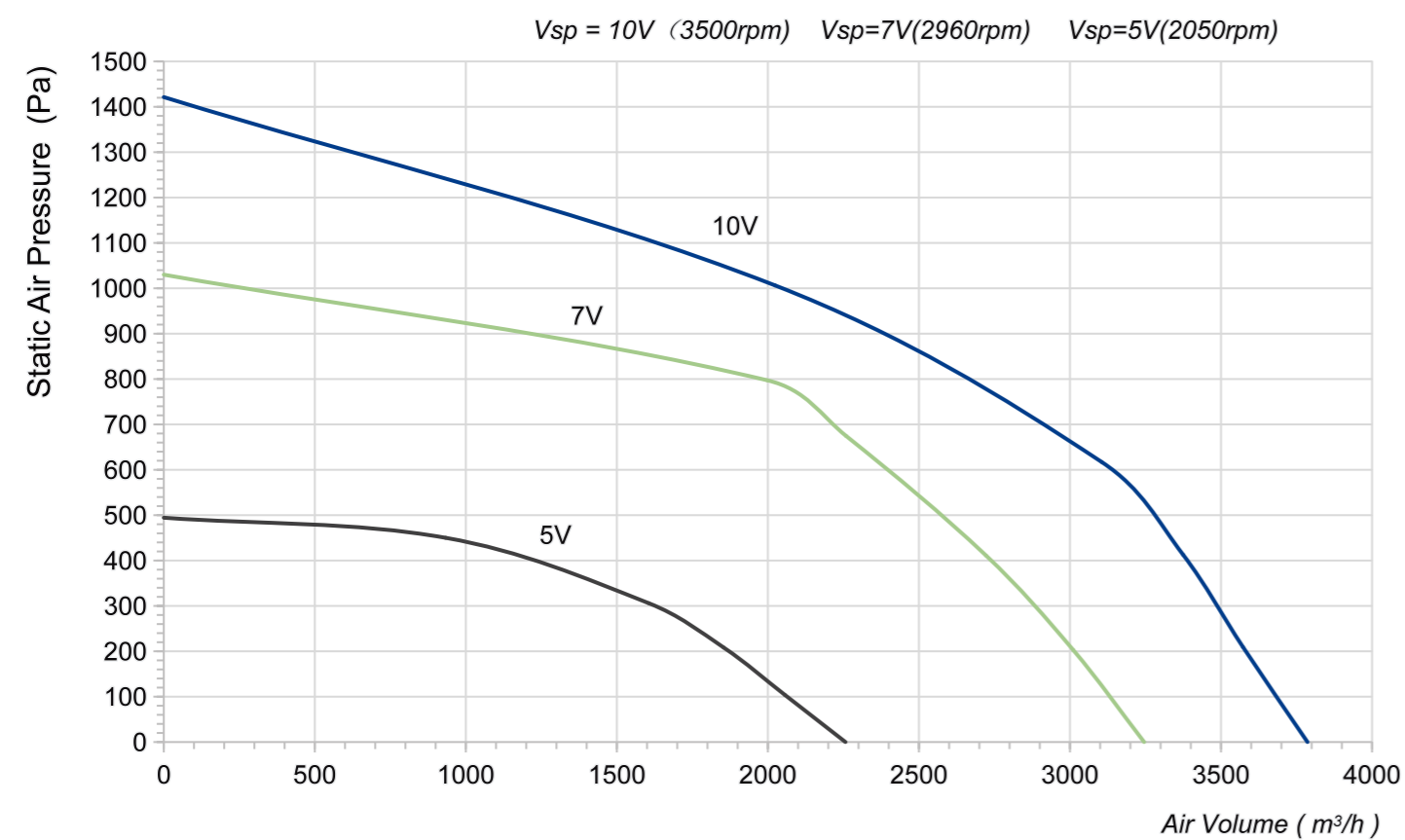
Product Characteristic

- Impeller Material: Aluminum Alloy
- Supply Voltage: 400V,50/60Hz
- Mode Of Operation: S1
- Protection Class: IP44
- Insulation Class: F
- Operation Temperature: -25°C ~ +60°C
- Technical Feature: Control input 0-10VDC/PWM, Tech output, Locked-Rotor protection, Reverse Polarity Over-voltage protection, Soft Start Protection.

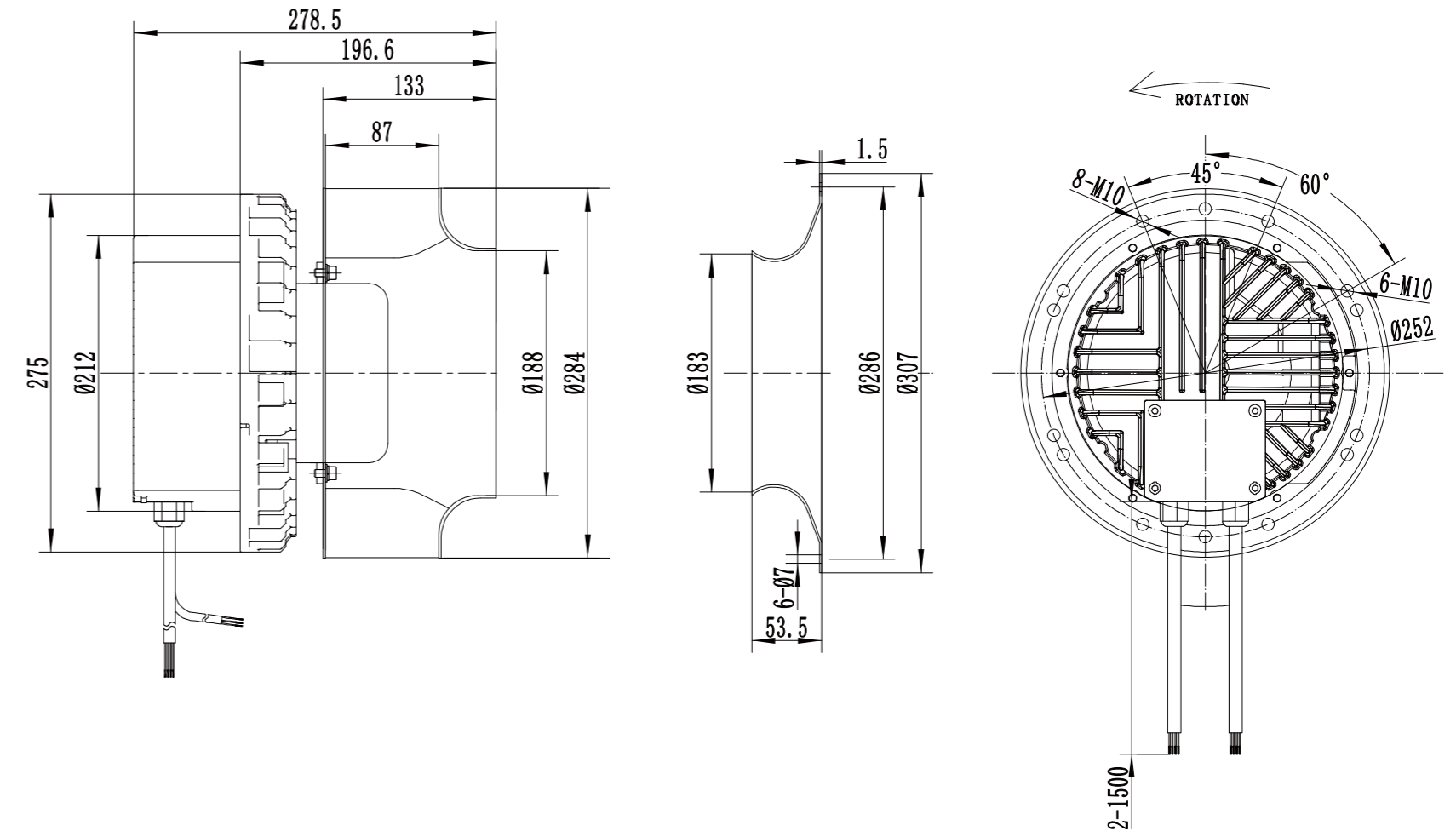


Technical Specifications

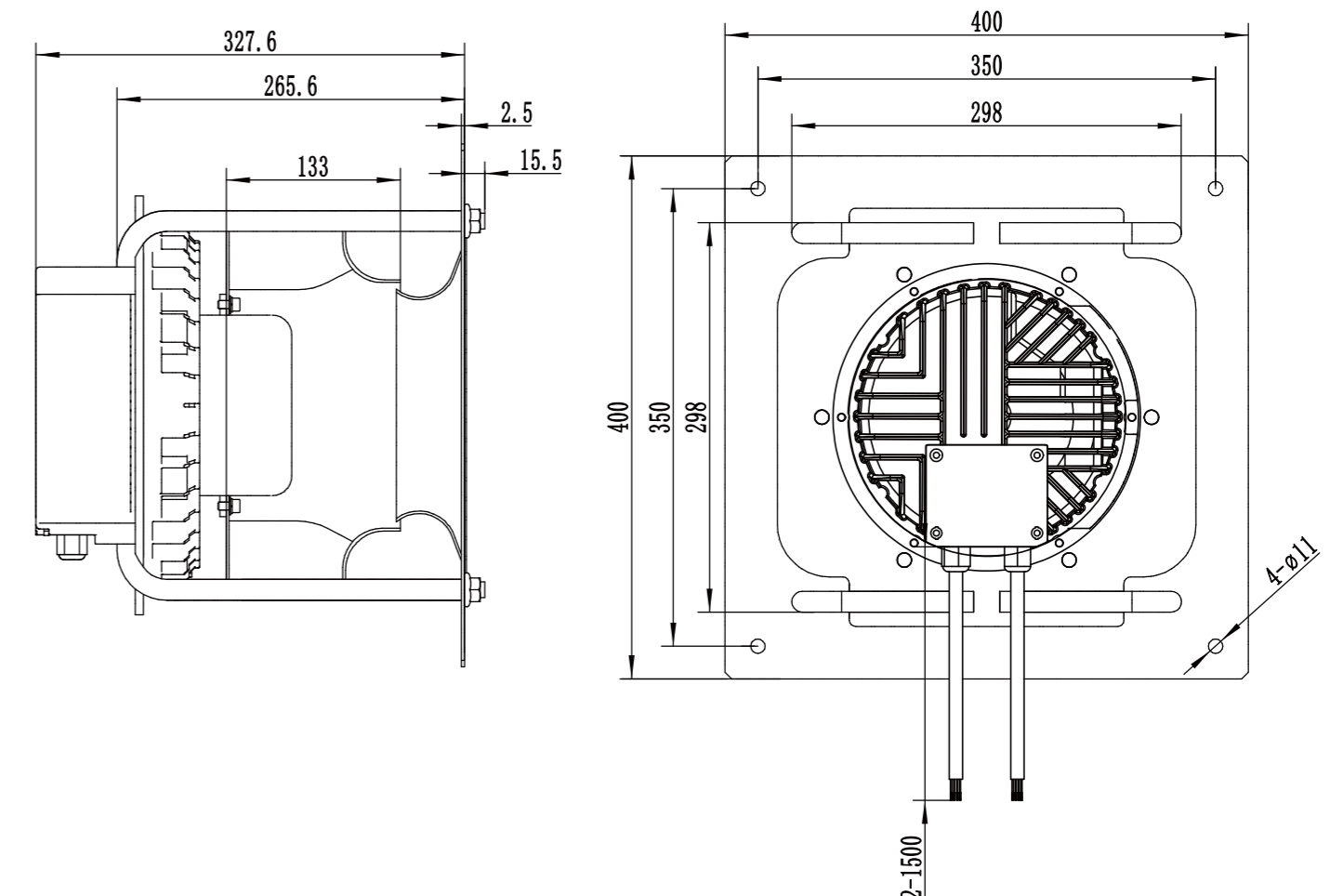
Model	Voltage (V)	Input Power (W)	Current (A)	Air Volume (m³/h)	Static Pressure (Pa)	Speed (RPM)	Noise [dB(A)]
LWBE3G280-138PT-06	400	1355	1.9	3790	1421	3500	89



LWBE3G280-138NT-18 (without bracket)



LWBE3G280-138PT-06 (with bracket)



LWBE-310 Series

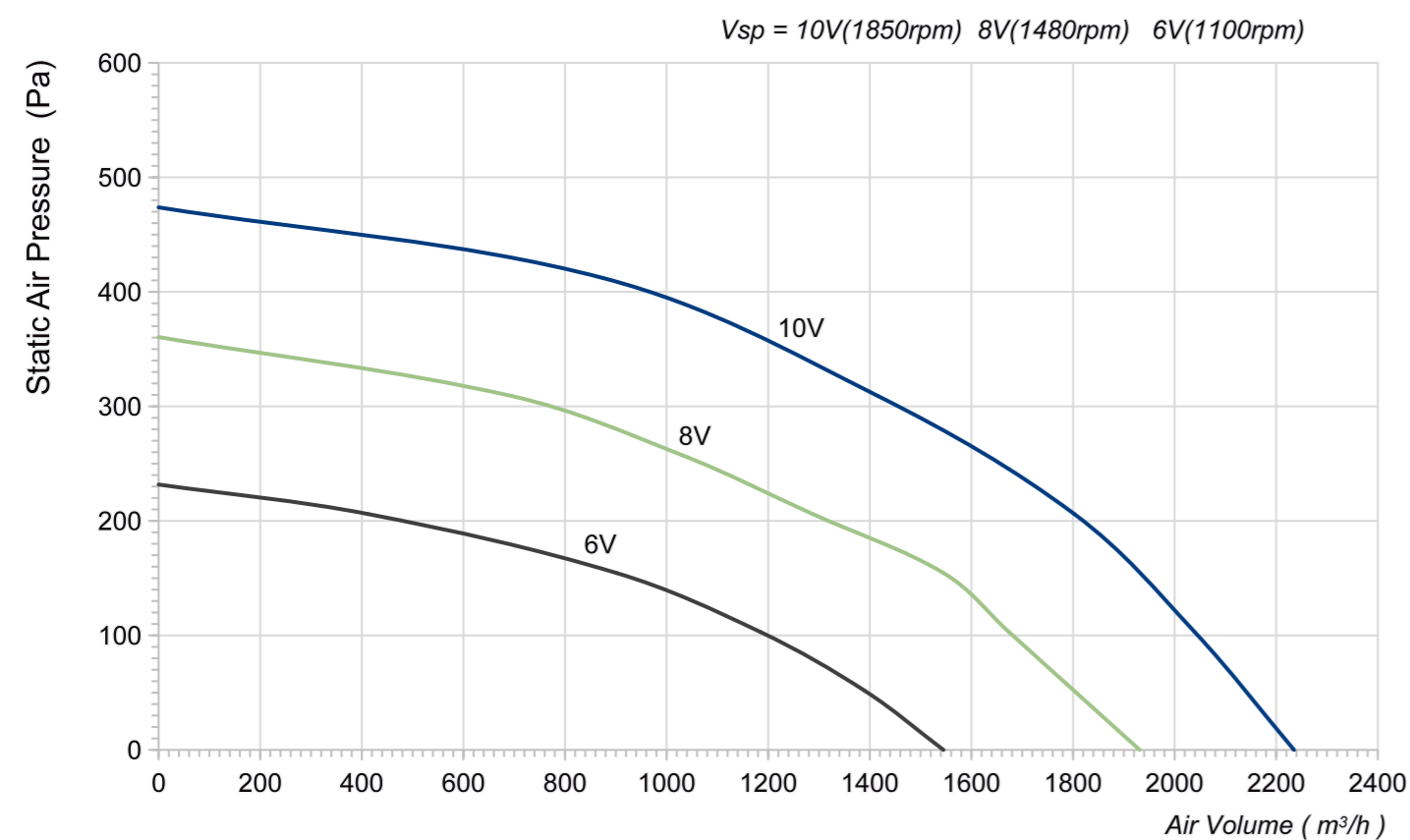
Product Characteristic

- Impeller Material: Aluminum Alloy
- Supply Voltage: 230V/115V,50/60Hz
- Mode Of Operation: S1
- Protection Class: IP44
- Insulation Class: F
- Operation Temperature: -25°C ~ +60°C
- Technical Feature: Control input 0-10VDC/PWM, Tech output, Locked-Rotor protection, Reverse Polarity Over-voltage protection, Soft Start Protection.

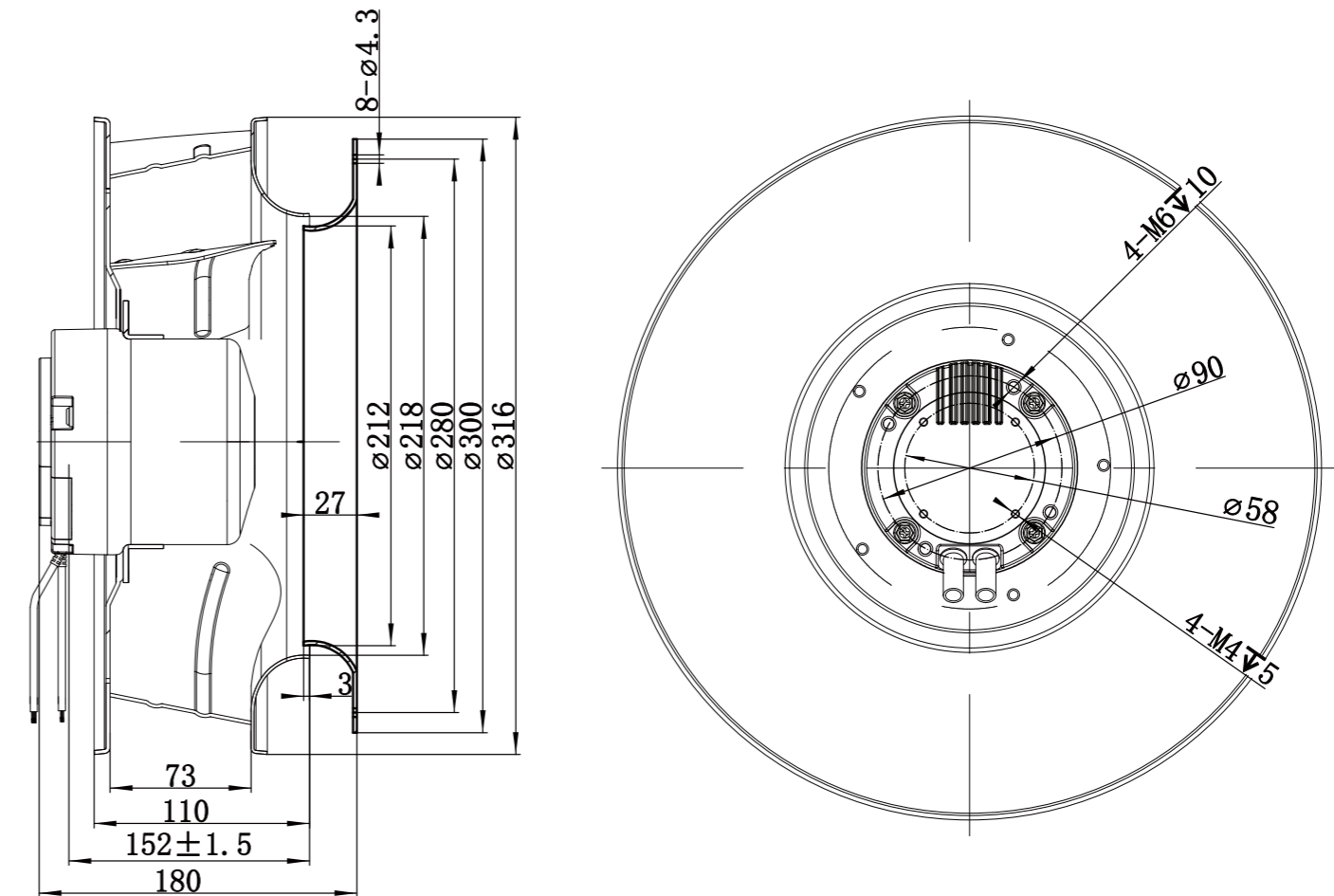


Technical Specifications

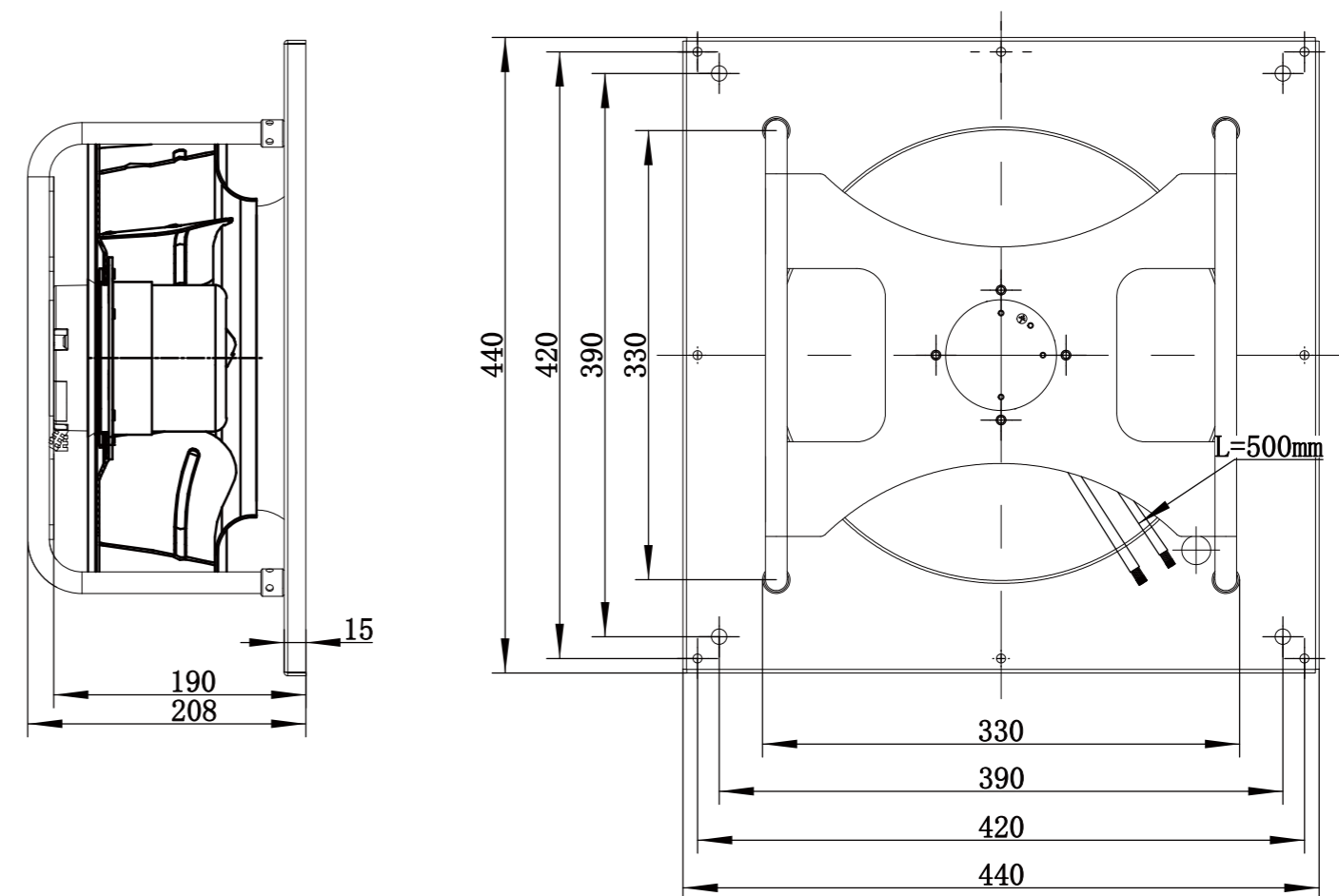
Model	Voltage (V)	Input Power (W)	Current (A)	Air Volume (m³/h)	Static Pressure (Pa)	Speed (RPM)	Noise [dB(A)]
LWBE3G310-092PS-11	230	160	1.25	2235	474	1850	75



LWBE3G310-92NS-20 (without bracket)



LWBE3G310-92PS-11 (with bracket)



LWBE-310 Series

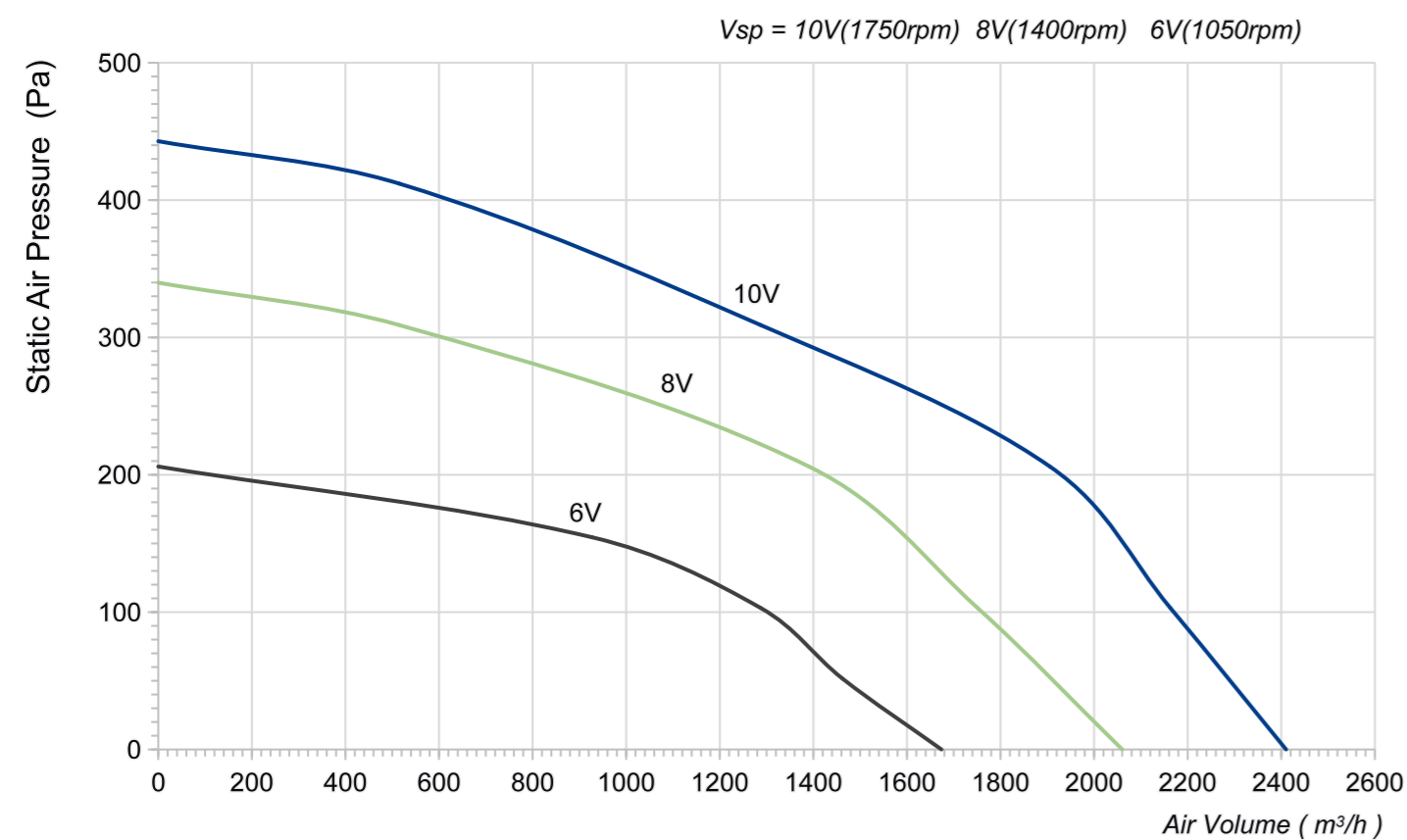
Product Characteristic

- Impeller Material: Aluminum Alloy
- Supply Voltage: 230V/115V,50/60Hz
- Mode Of Operation: S1
- Protection Class: IP44
- Insulation Class: F
- Operation Temperature: -25°C ~ +60°C
- Technical Feature: Control input 0-10VDC/PWM, Tech output, Locked-Rotor protection, Reverse Polarity Over-voltage protection, Soft Start Protection.

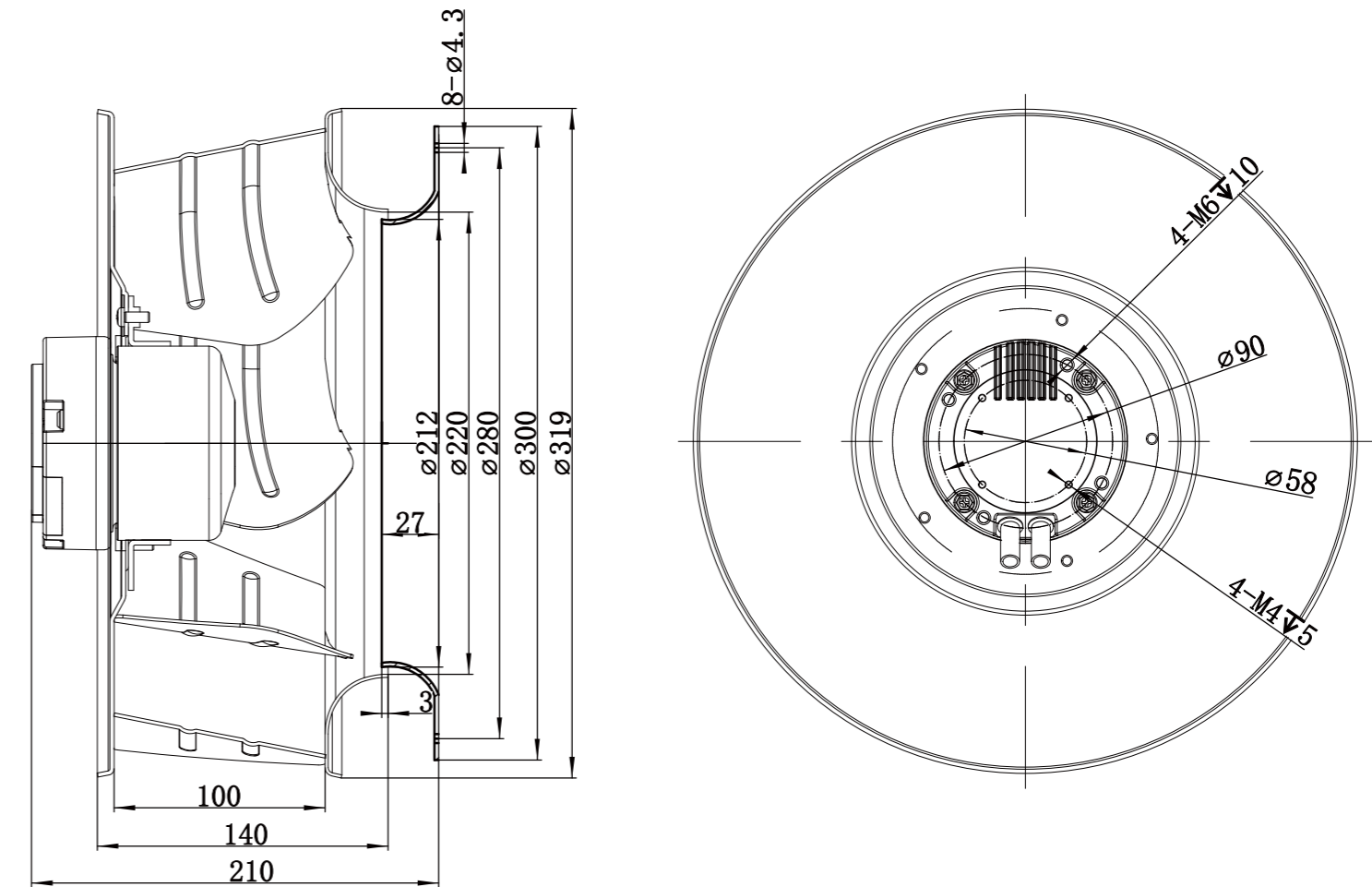


Technical Specifications

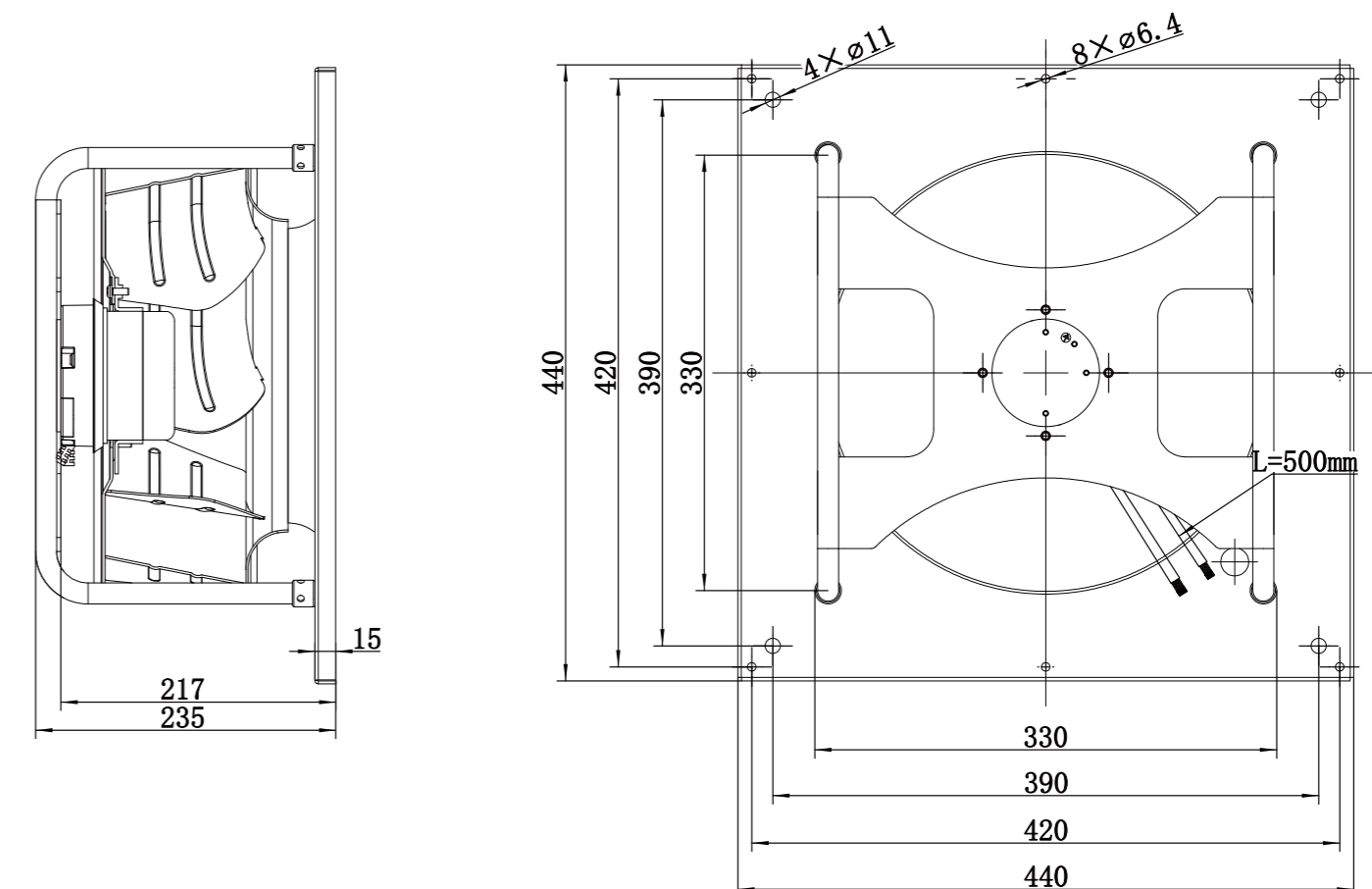
Model	Voltage (V)	Input Power (W)	Current (A)	Air Volume (m³/h)	Static Pressure (Pa)	Speed (RPM)	Noise [dB(A)]
LWBE3G310-092PS-12	230	150	1.2	2410	443	1750	75



LWBE3G310-092NS-17 (without bracket)



LWBE3G310-092PS-12 (with bracket)



LWBE-310 Series

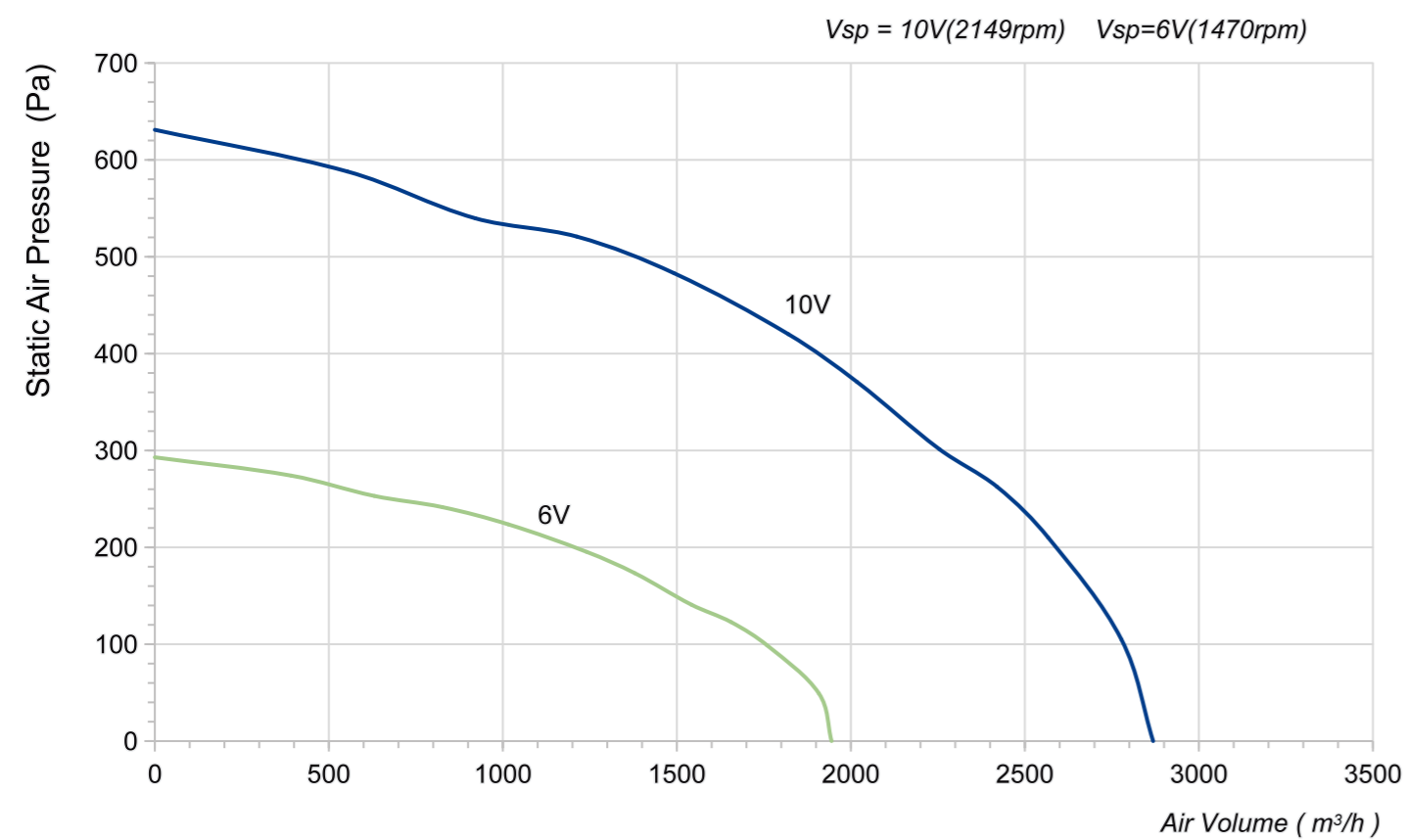
Product Characteristic

- Impeller Material: Aluminum Alloy
- Supply Voltage: 230V/115V,50/60Hz
- Mode Of Operation: S1
- Protection Class: IP54
- Insulation Class: F
- Operation Temperature: -25°C ~ +60°C
- Technical Feature: Control input 0-10VDC/PWM, Tech output, Locked-Rotor protection, Reverse Polarity Over-voltage protection, Soft Start Protection.

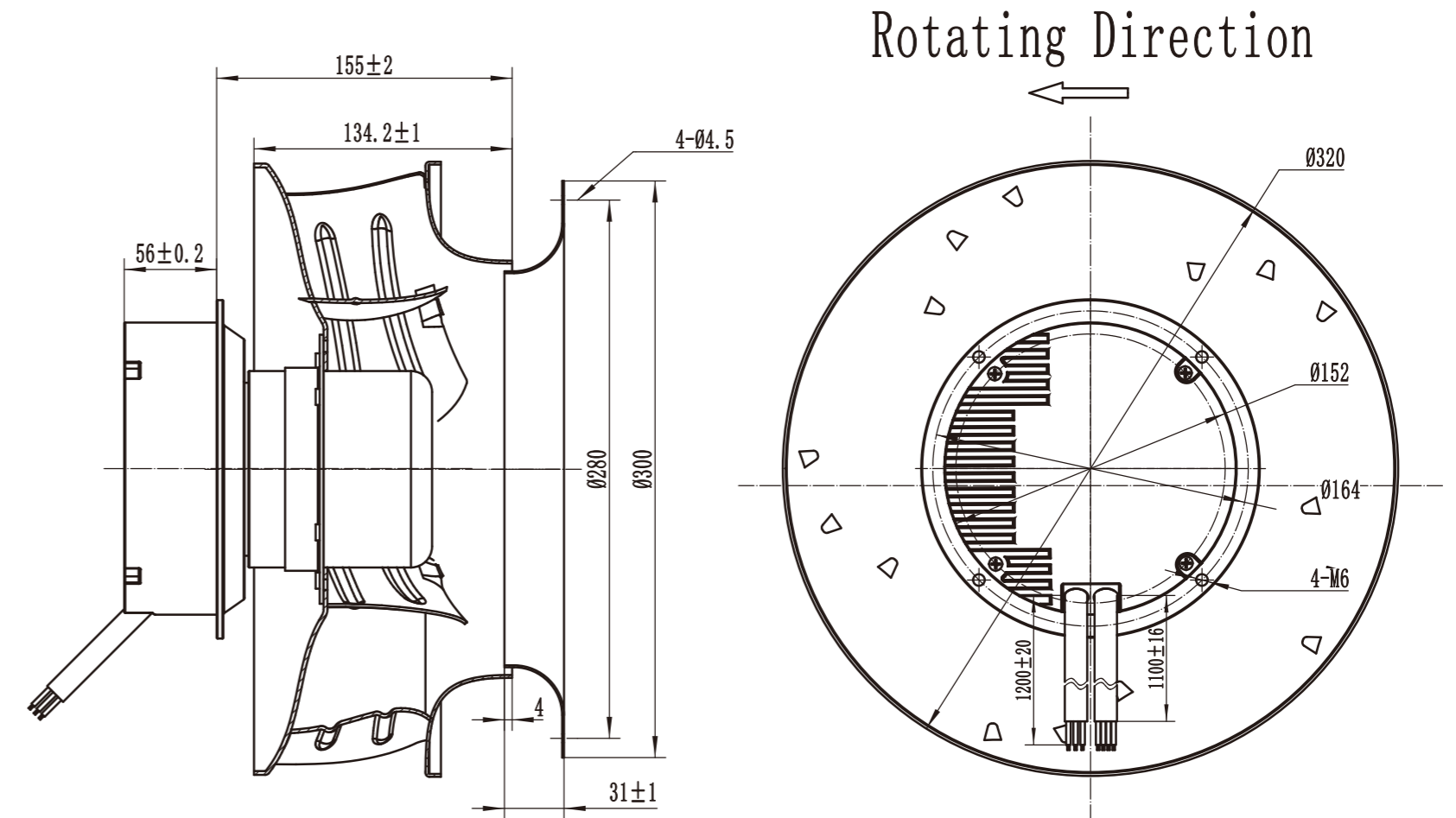


Technical Specifications

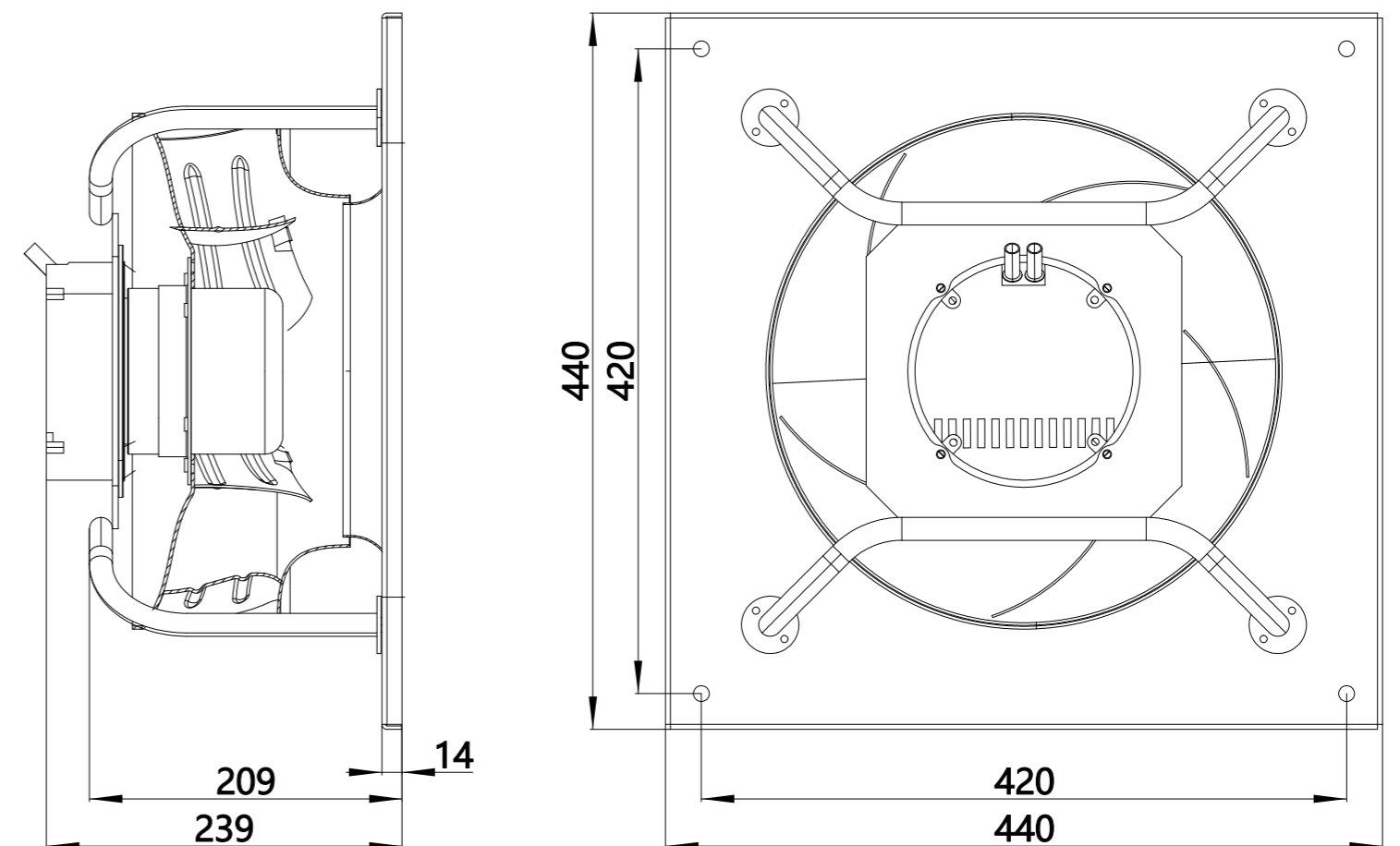
Model	Voltage (V)	Input Power (W)	Current (A)	Air Volume (m³/h)	Static Pressure (Pa)	Speed (RPM)	Noise [dB(A)]
LWBE3G310-102PS-02	230	360	2.98	2869	630	2149	69.9



LWBE3G310-102NS-16 (without bracket)



LWBE3G310-102PS-02 (with bracket)



LWBE-310 Series

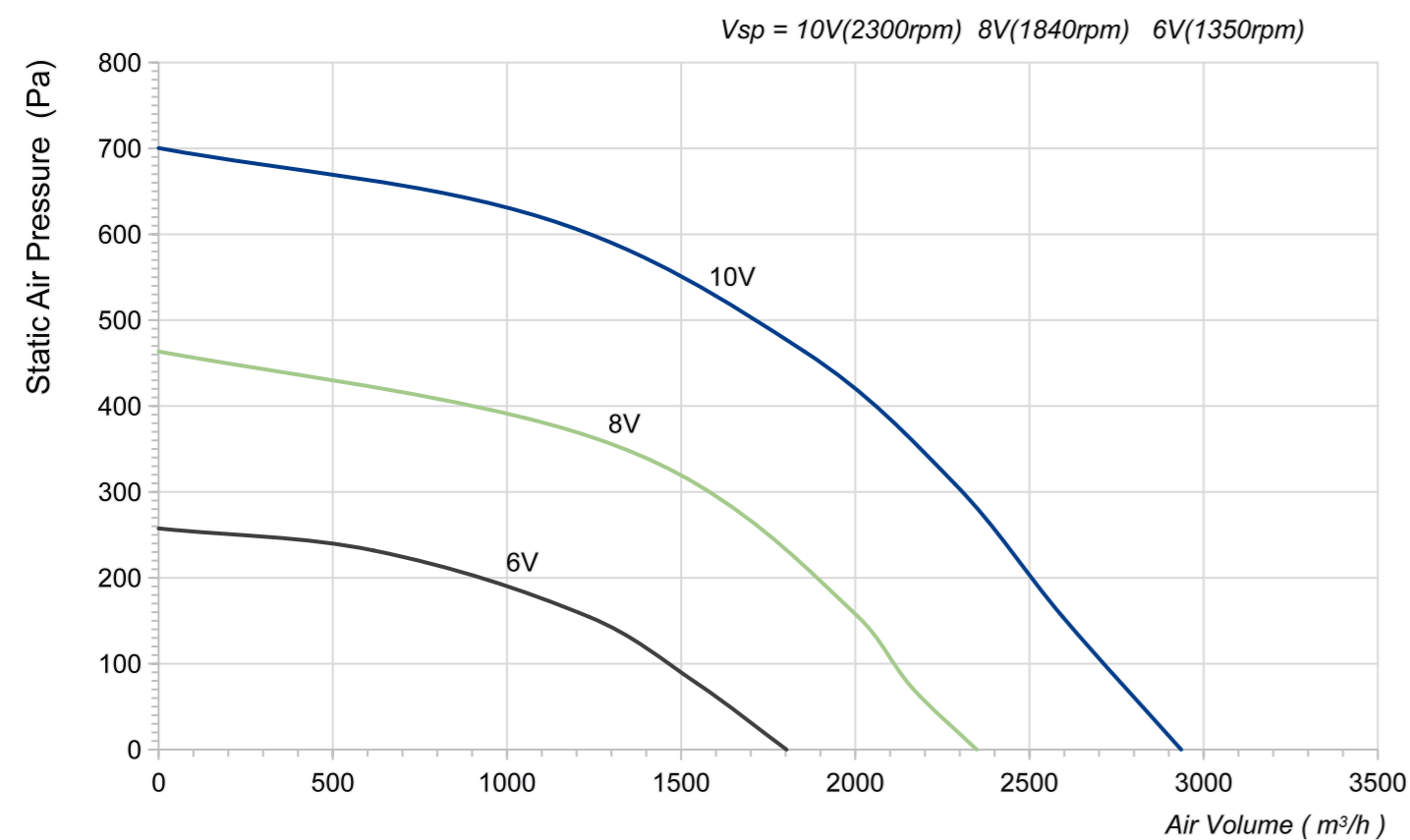
Product Characteristic

- Impeller Material: Aluminum Alloy
- Supply Voltage: 230V/115V,50/60Hz
- Mode Of Operation: S1
- Protection Class: IP54
- Insulation Class: F
- Operation Temperature: -25°C ~ +60°C
- Technical Feature: Control input 0-10VDC/PWM, Tech output, Locked-Rotor protection, Reverse Polarity Over-voltage protection, Soft Start Protection.

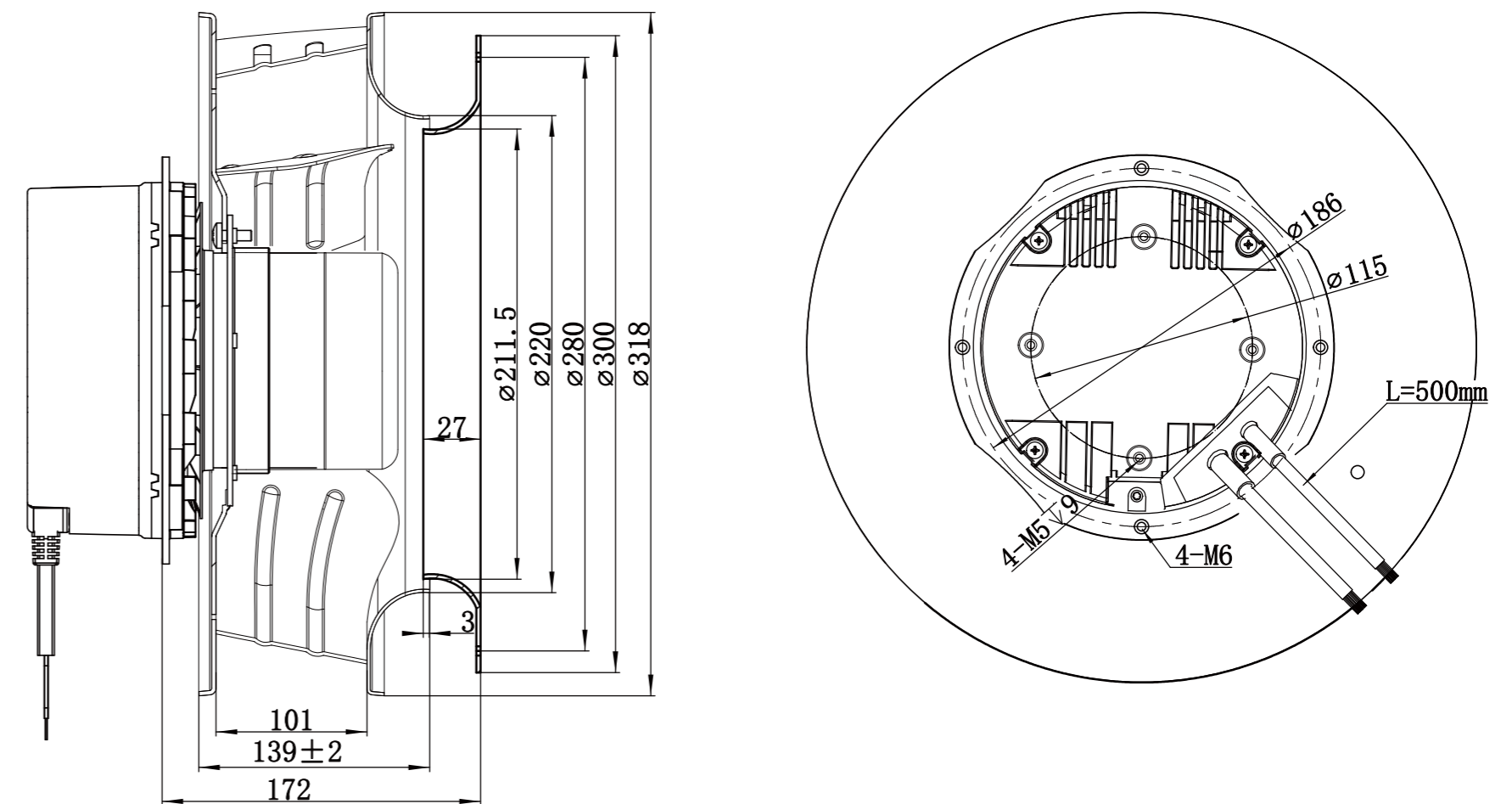


Technical Specifications

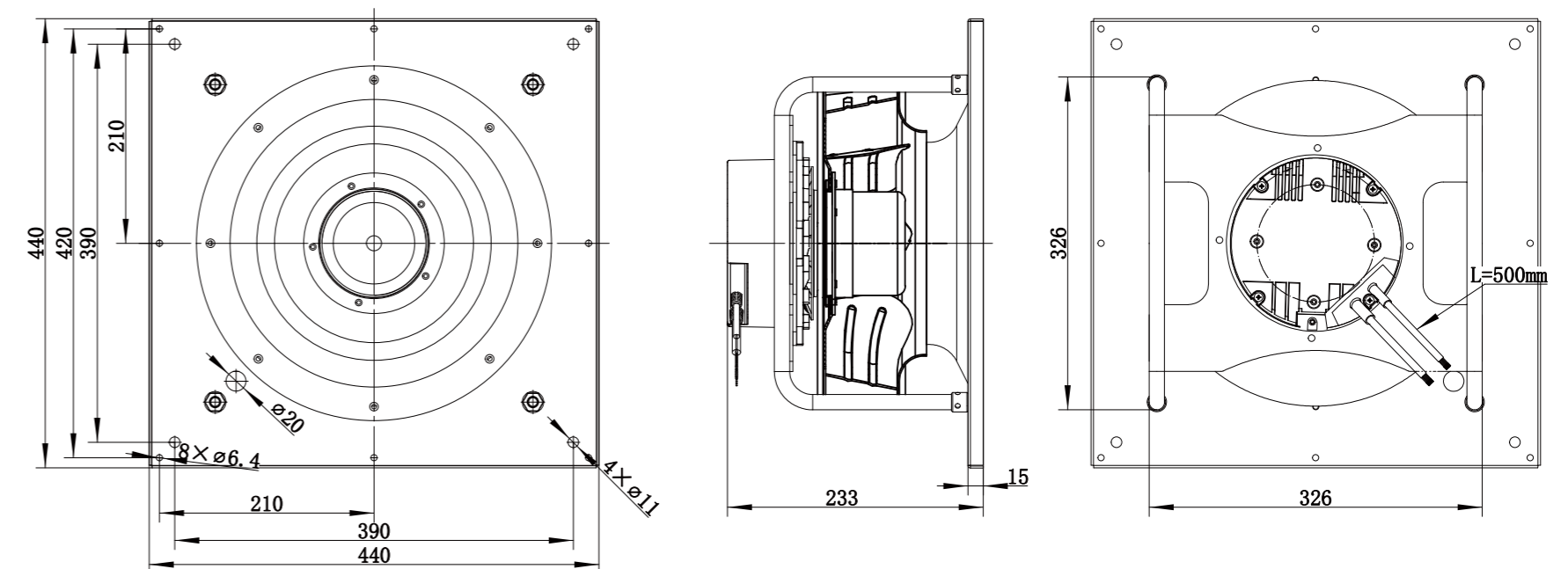
Model	Voltage (V)	Input Power (W)	Current (A)	Air Volume (m³/h)	Static Pressure (Pa)	Speed (RPM)	Noise [dB(A)]
LWBE3G310-102PS-15	230	370	2.6	2936	700	2300	76



LWBE3G310-102NS-19 (without bracket)



LWBE3G310-102PS-15 (with bracket)



LWBE-310 Series

Product Characteristic

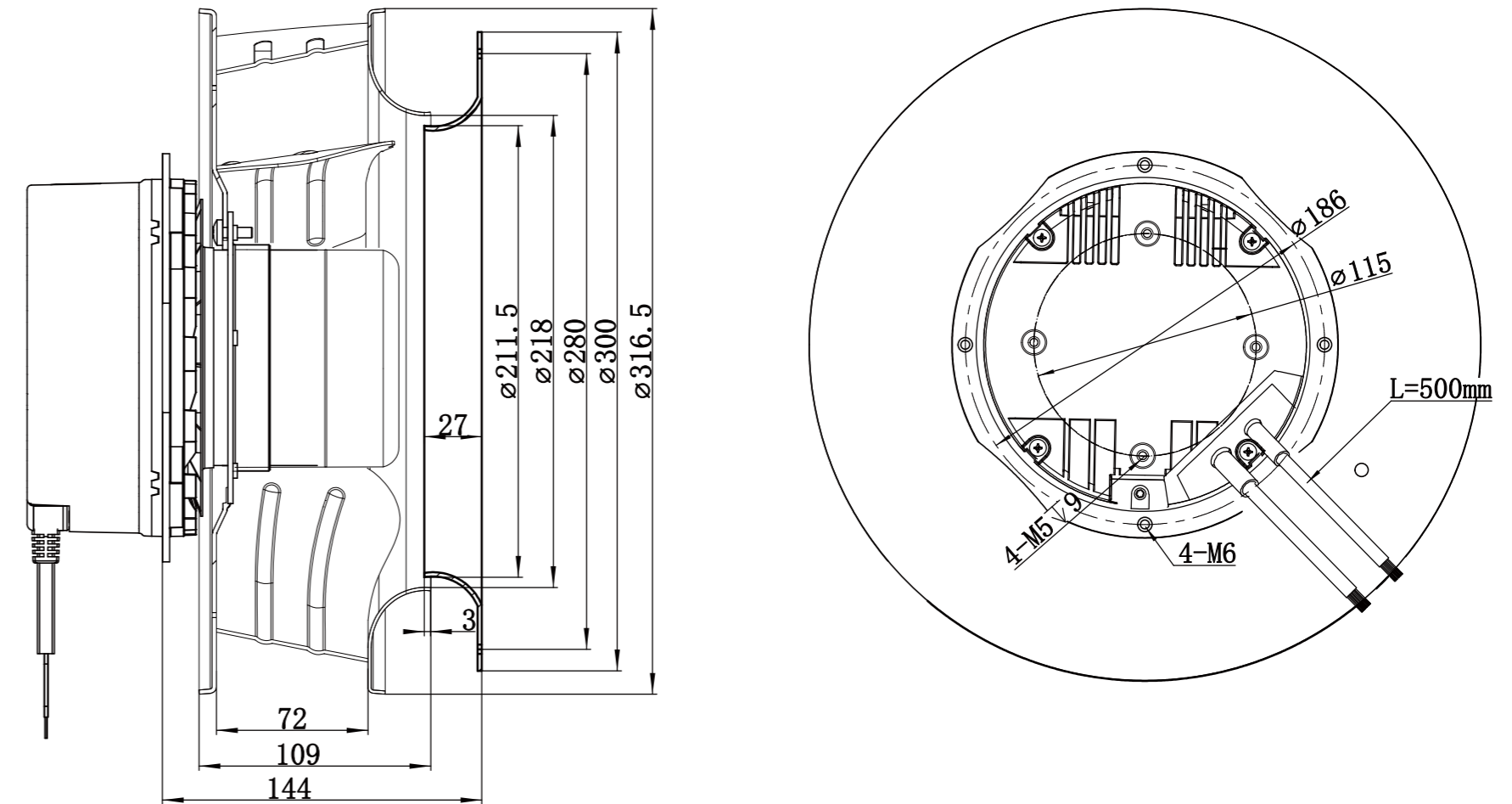
- Impeller Material: Aluminum Alloy
- Supply Voltage: 230V/115V,50/60Hz
- Mode Of Operation: S1
- Protection Class: IP44
- Insulation Class: F
- Operation Temperature: -25°C ~ +60°C
- Technical Feature: Control input 0-10VDC/PWM, Tech output, Locked-Rotor protection, Reverse Polarity Over-voltage protection, Soft Start Protection.



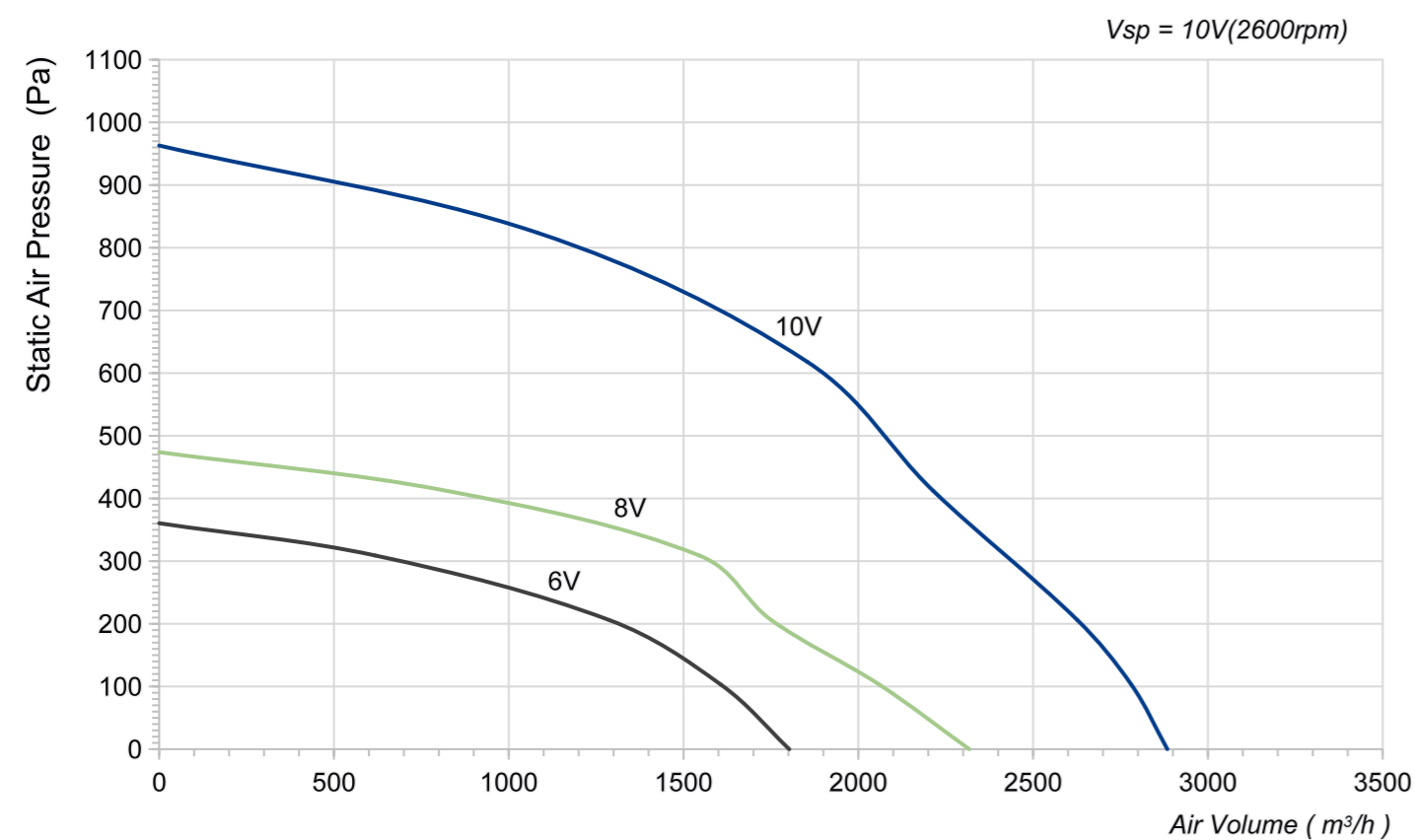
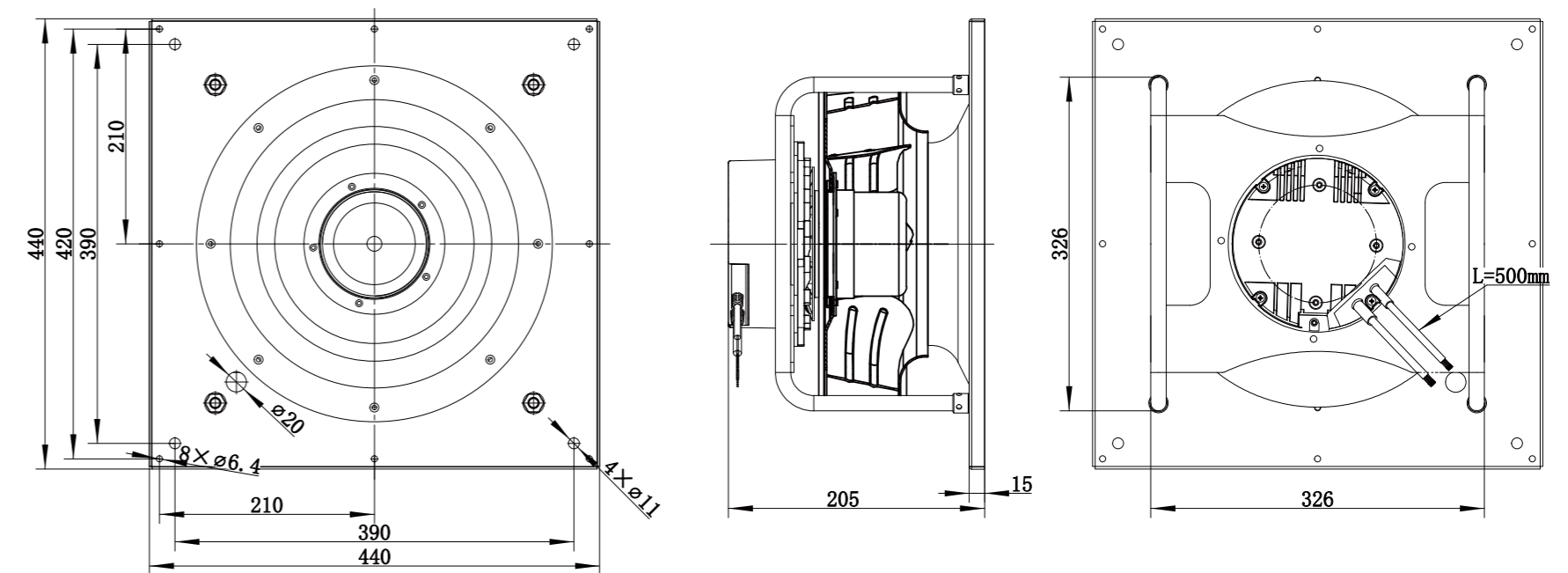
Technical Specifications

Model	Voltage (V)	Input Power (W)	Current (A)	Air Volume (m³/h)	Static Pressure (Pa)	Speed (RPM)	Noise [dB(A)]
LWBE3G310-102PS-16	230	450	3	2884	963	2600	78

LWBE3G310-102NS-18 (without bracket)



LWBE3G310-102PS-16 (with bracket)



LWBE-310 Series



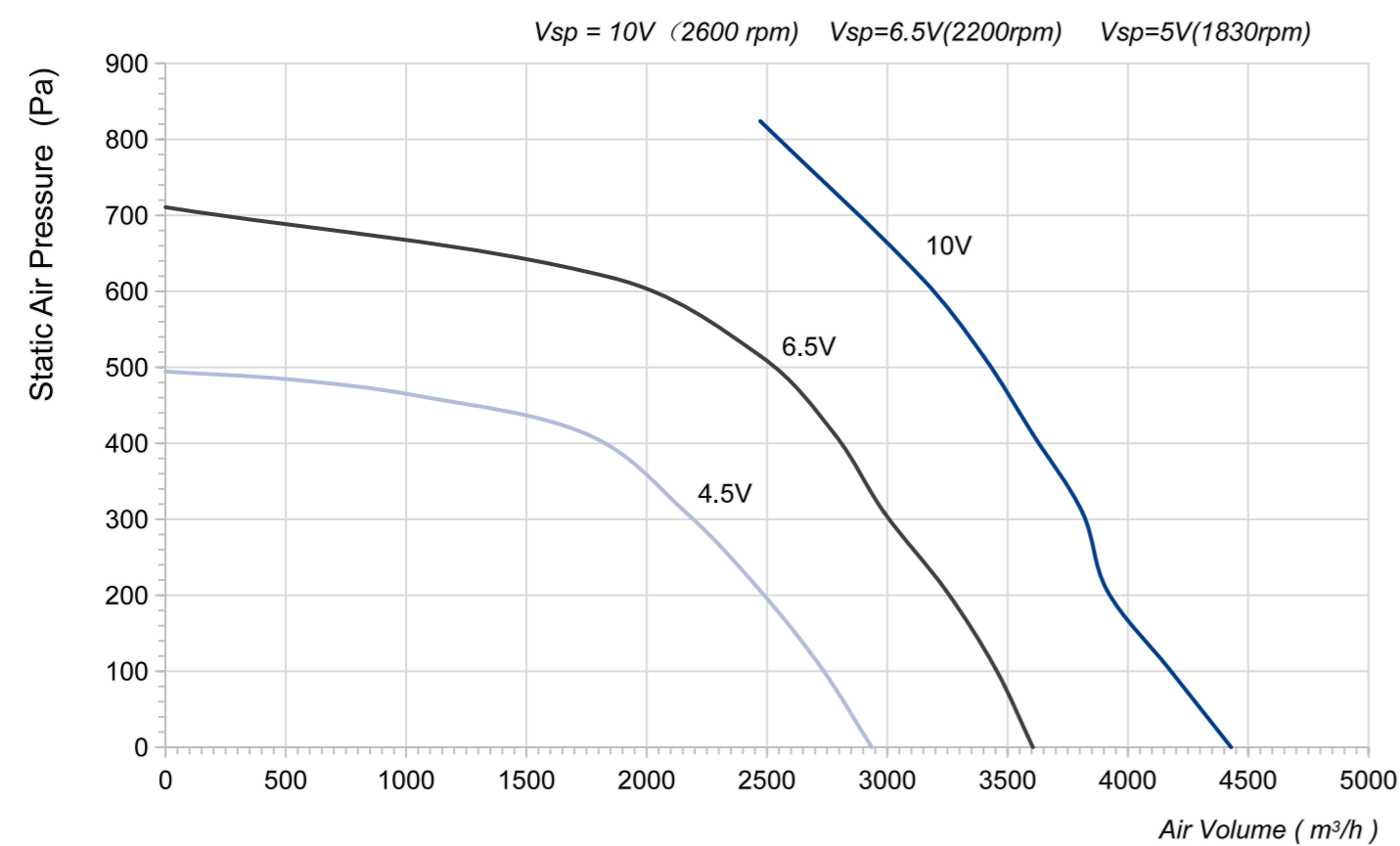
Product Characteristic

- Impeller Material: Aluminum Alloy
- Supply Voltage: 400V,50/60Hz
- Mode Of Operation: S1
- Protection Class: IP44
- Insulation Class: F
- Operation Temperature: -25°C ~ +60°C
- Technical Feature: Control input 0-10VDC/PWM, Tech output, Locked-Rotor protection, Reverse Polarity Over-voltage protection, Soft Start Protection.

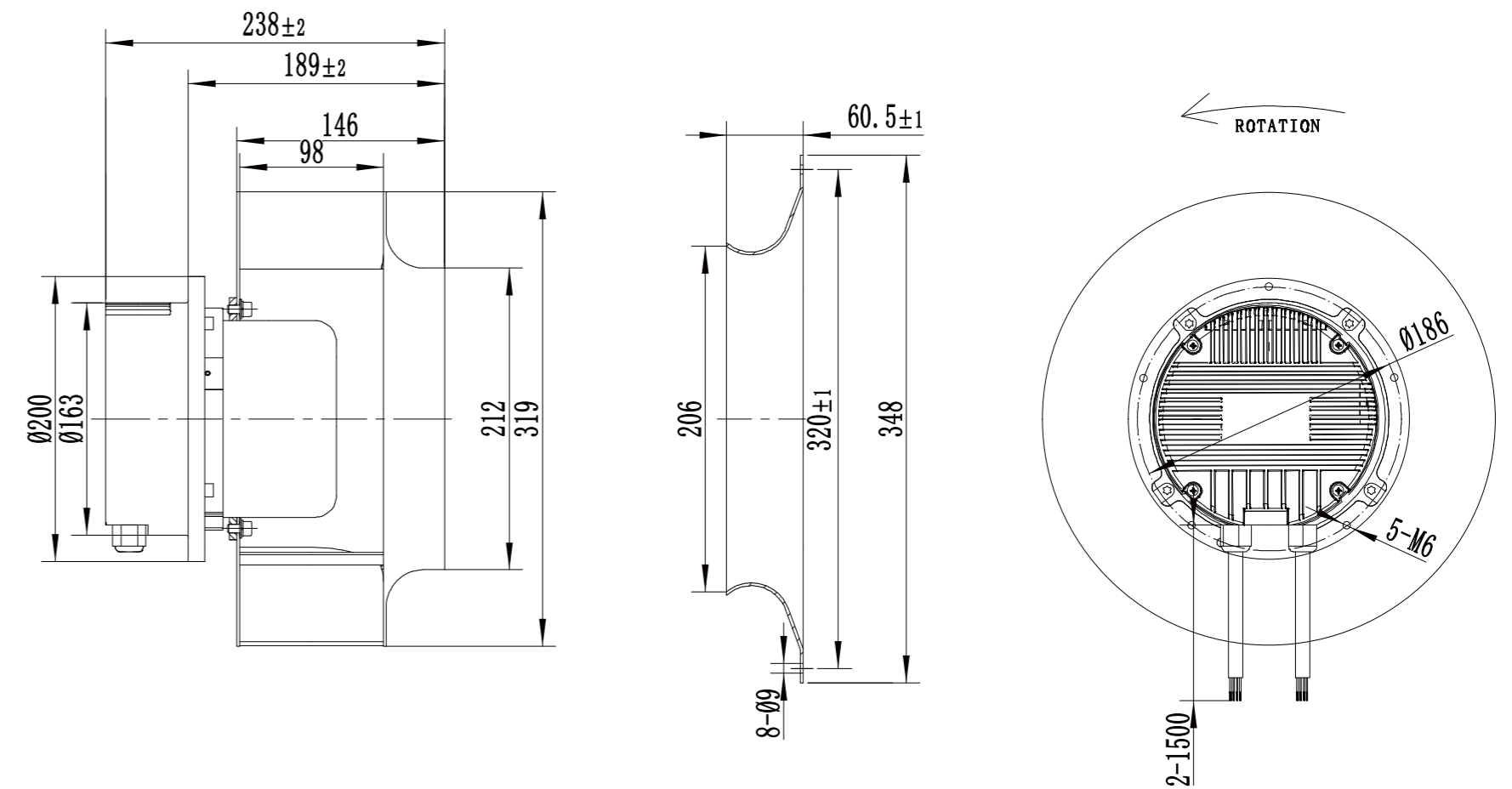


Technical Specifications

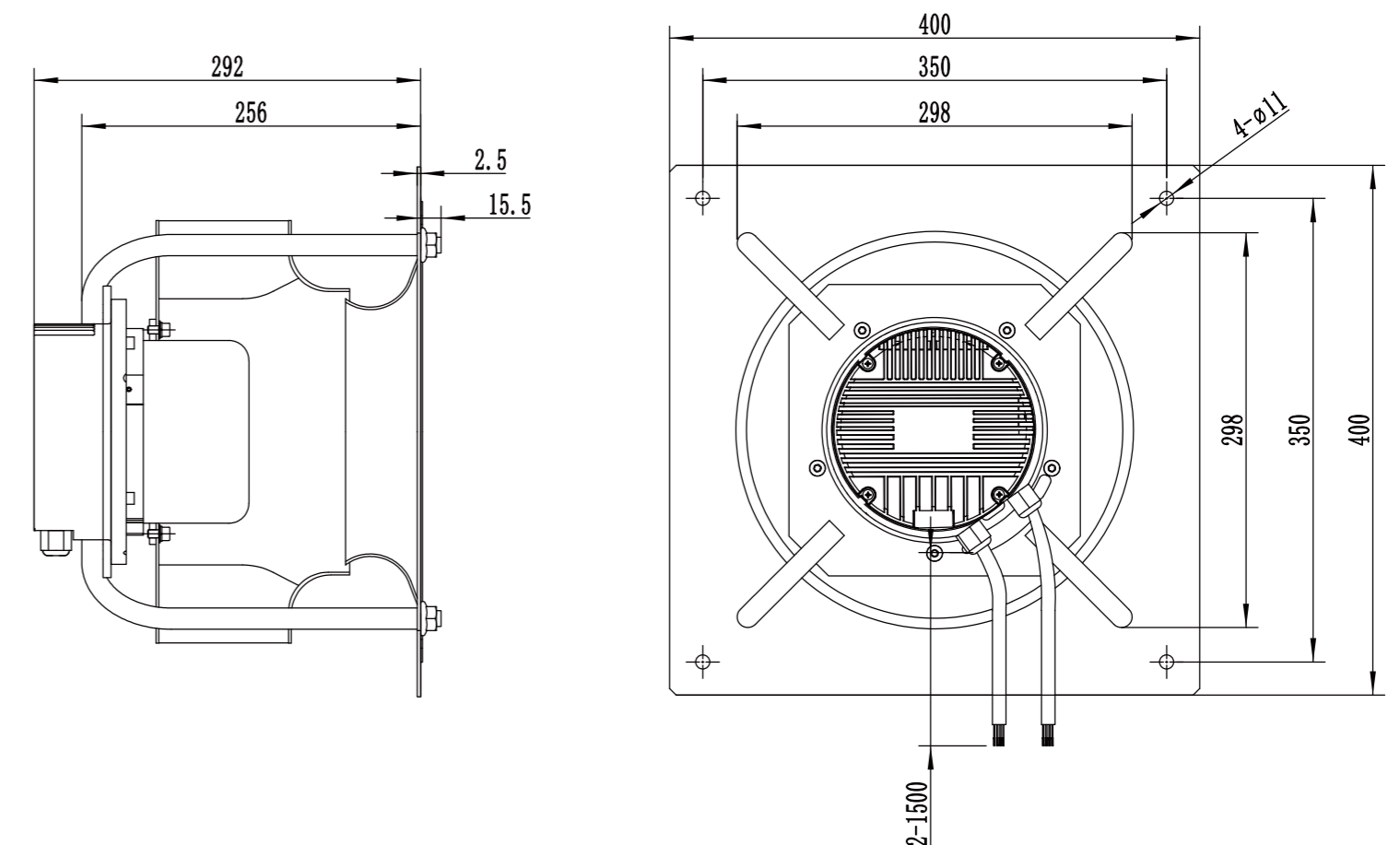
Model	Voltage (V)	Input Power (W)	Current (A)	Air Volume (m³/h)	Static Pressure (Pa)	Speed (RPM)	Noise [dB(A)]
LWBE3G310-138PT-04	400	980	1.64	4398	824	2600	74



LWBE3G310-138NT-05 (without bracket)



LWBE3G310-138PT-04 (with bracket)



LWBE-310 Series



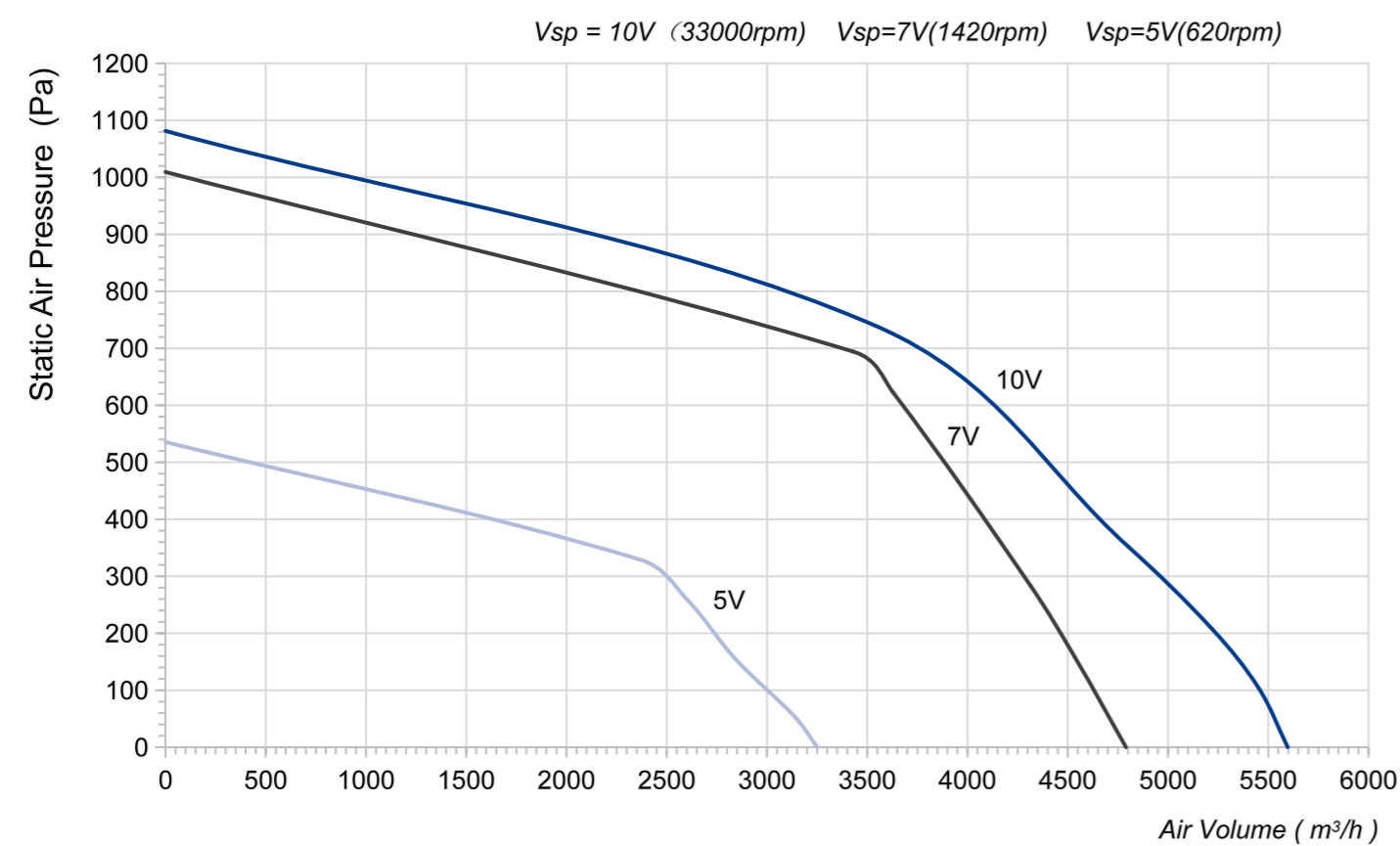
Product Characteristic

- Impeller Material: Aluminum Alloy
- Supply Voltage: 400V,50/60Hz
- Mode Of Operation: S1
- Protection Class: IP44
- Insulation Class: F
- Operation Temperature: -25°C ~ +60°C
- Technical Feature: Control input 0-10VDC/PWM, Tech output, Locked-Rotor protection, Reverse Polarity Over-voltage protection, Soft Start Protection.

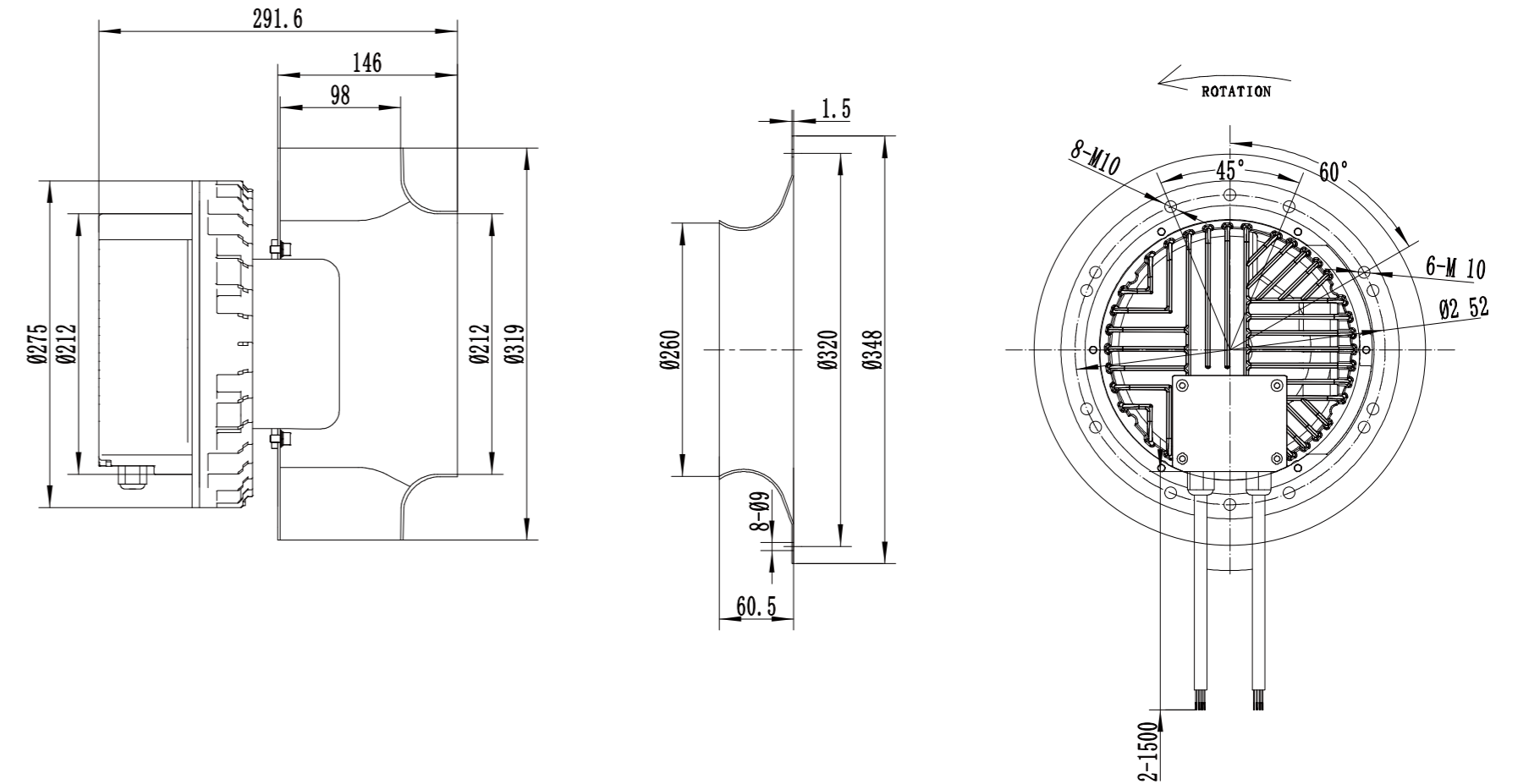


Technical Specifications

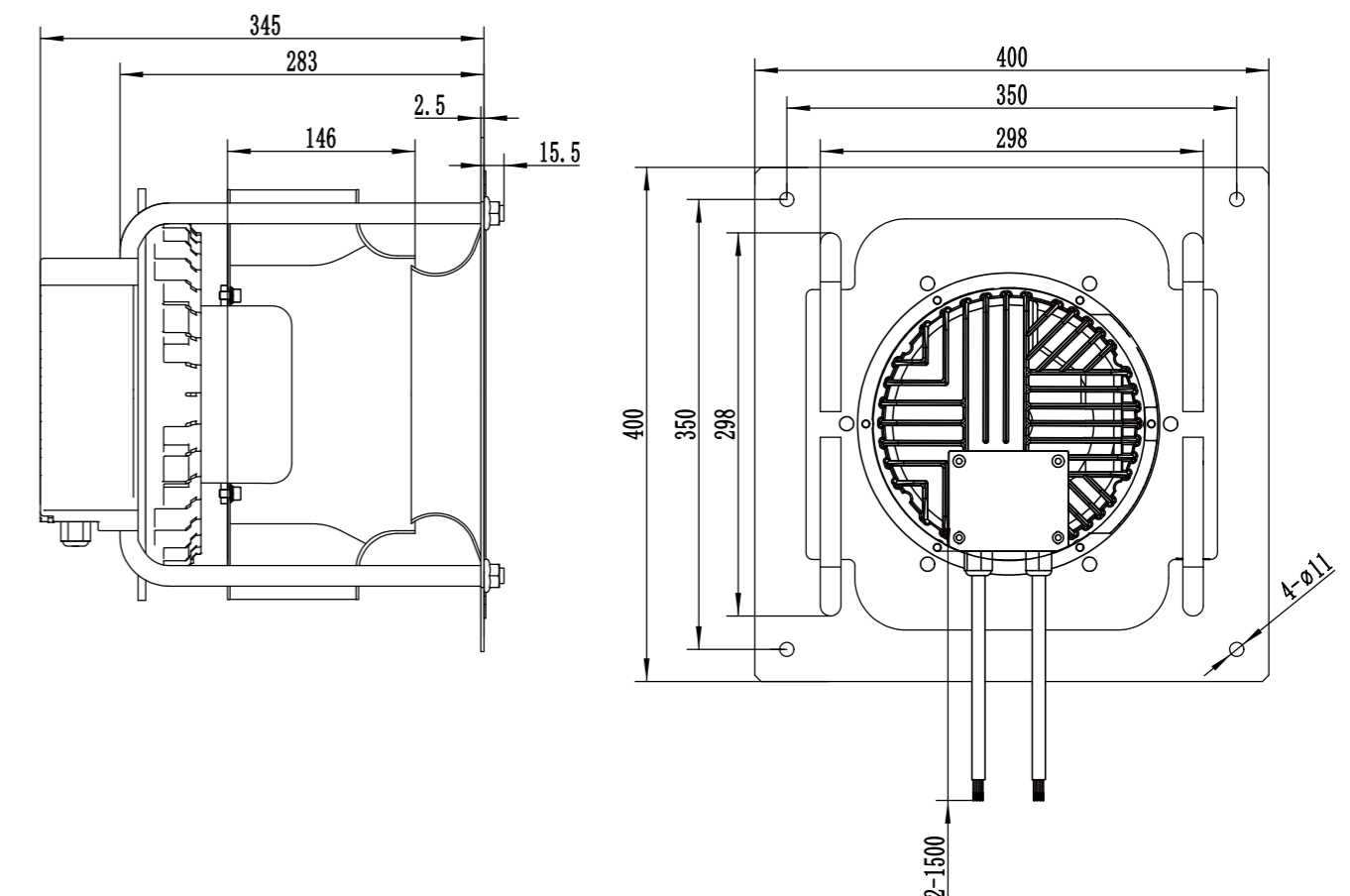
Model	Voltage (V)	Input Power (W)	Current (A)	Air Volume (m³/h)	Static Pressure (Pa)	Speed (RPM)	Noise [dB(A)]
LWBE3G310-138PT-10	400	1588	2.4	5593	1082	3300	92



LWBE3G310-138NT-25 (without bracket)



LWBE3G310-138PT-10 (with bracket)



LWBE-355 Series

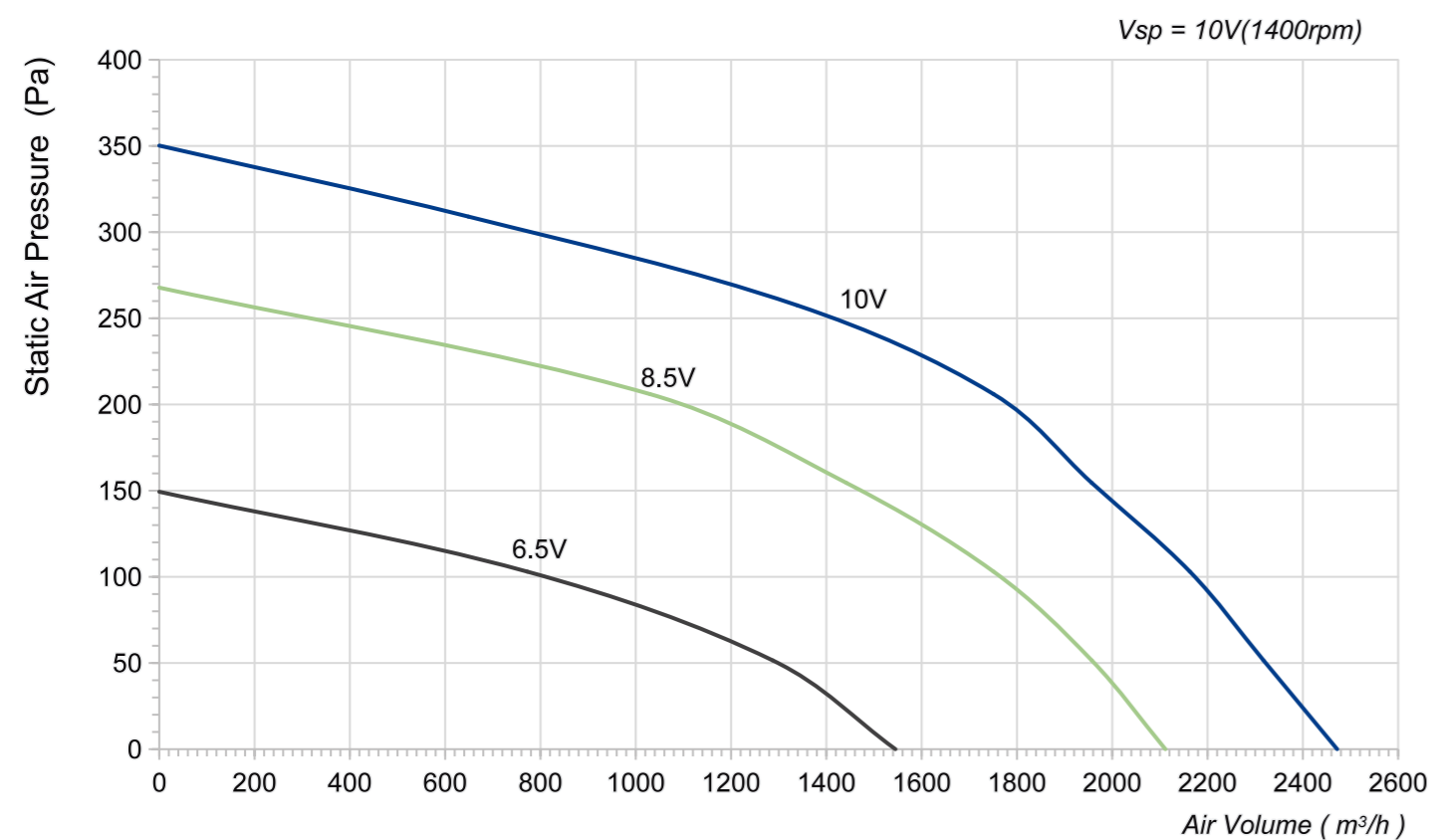
Product Characteristic

- Impeller Material: Aluminum Alloy
- Supply Voltage: 230V/115V,50/60Hz
- Mode Of Operation: S1
- Protection Class: IP44
- Insulation Class: B
- Operation Temperature: -25°C ~ +60°C
- Technical Feature: Control input 0-10VDC/PWM, Tech output, Locked-Rotor protection, Reverse Polarity Over-voltage protection, Soft Start Protection.

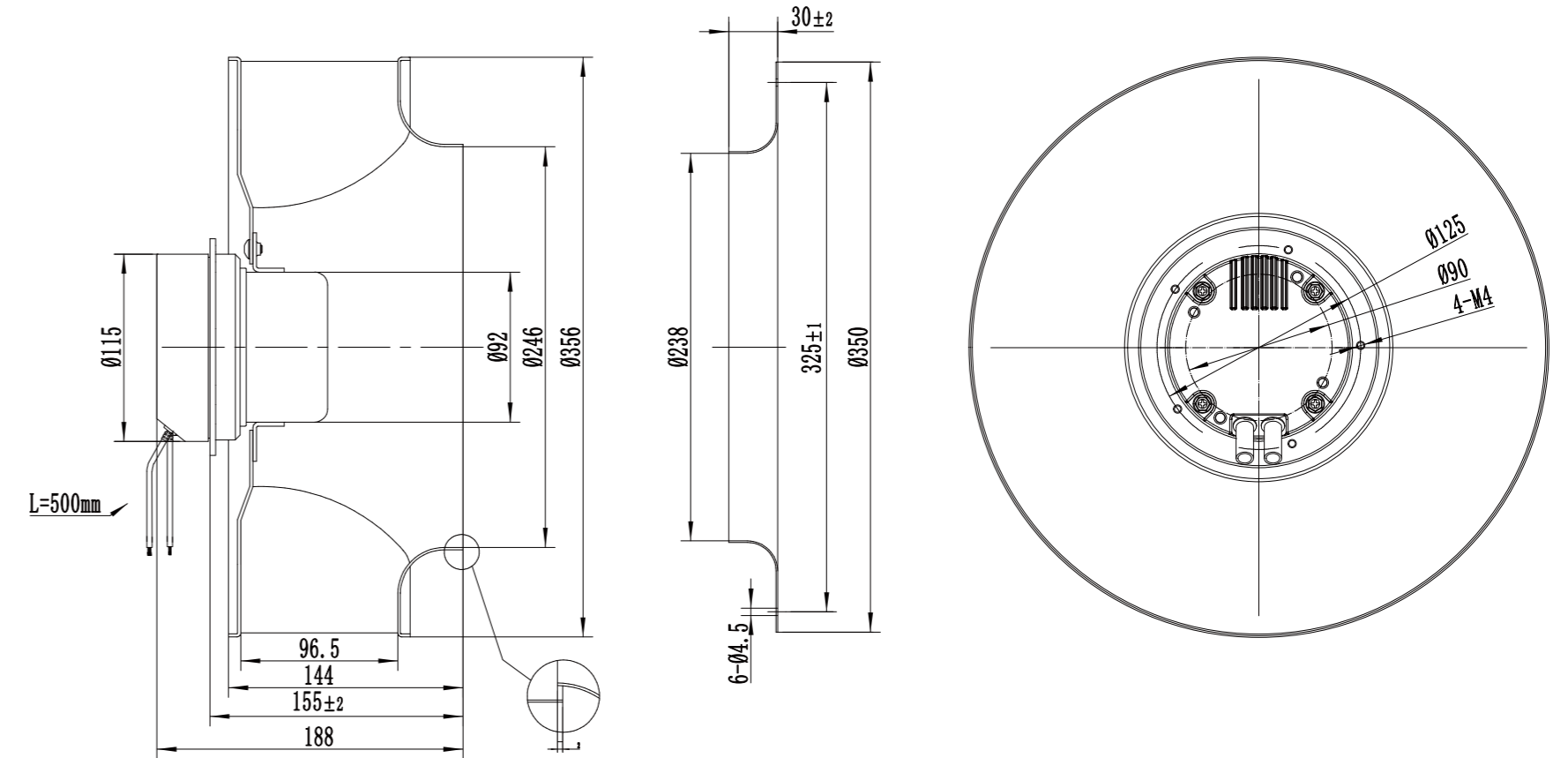


Technical Specifications

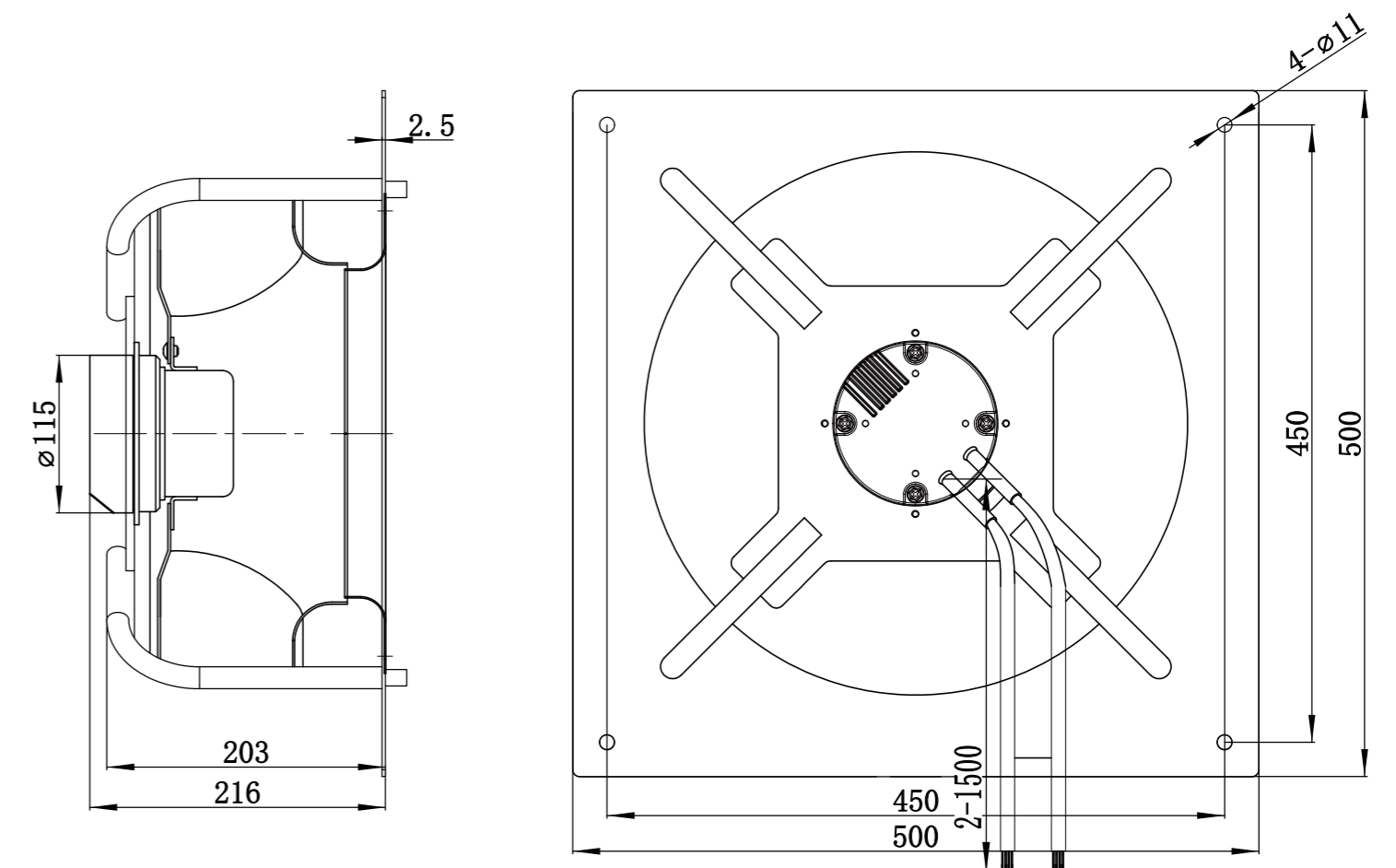
Model	Voltage (V)	Input Power (W)	Current (A)	Air Volume (m³/h)	Static Pressure (Pa)	Speed (RPM)	Noise [dB(A)]
LWBE3G355-092PS-15	230	120	0.9	2472	350	1400	68



LWBE3G355-092NS-19 (without bracket)



LWBE3G355-092PS-15 (with bracket)



LWBE-355 Series

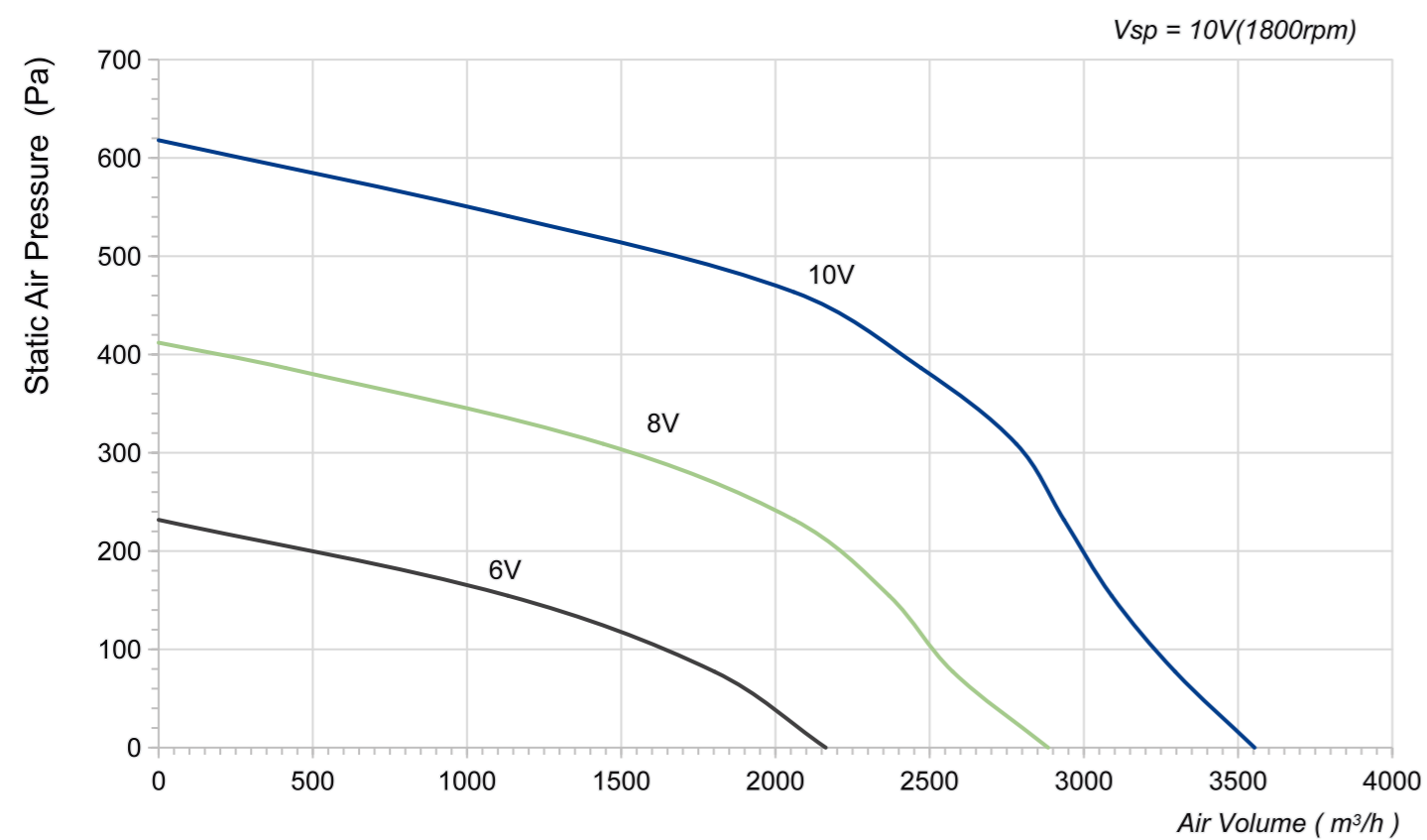
Product Characteristic

- Impeller Material: Aluminum Alloy
- Supply Voltage: 230V/115V,50/60Hz
- Mode Of Operation: S1
- Protection Class: IP44
- Insulation Class: F
- Operation Temperature: -25°C ~ +60°C
- Technical Feature: Control input 0-10VDC/PWM, Tech output, Locked-Rotor protection, Reverse Polarity Over-voltage protection, Soft Start Protection.

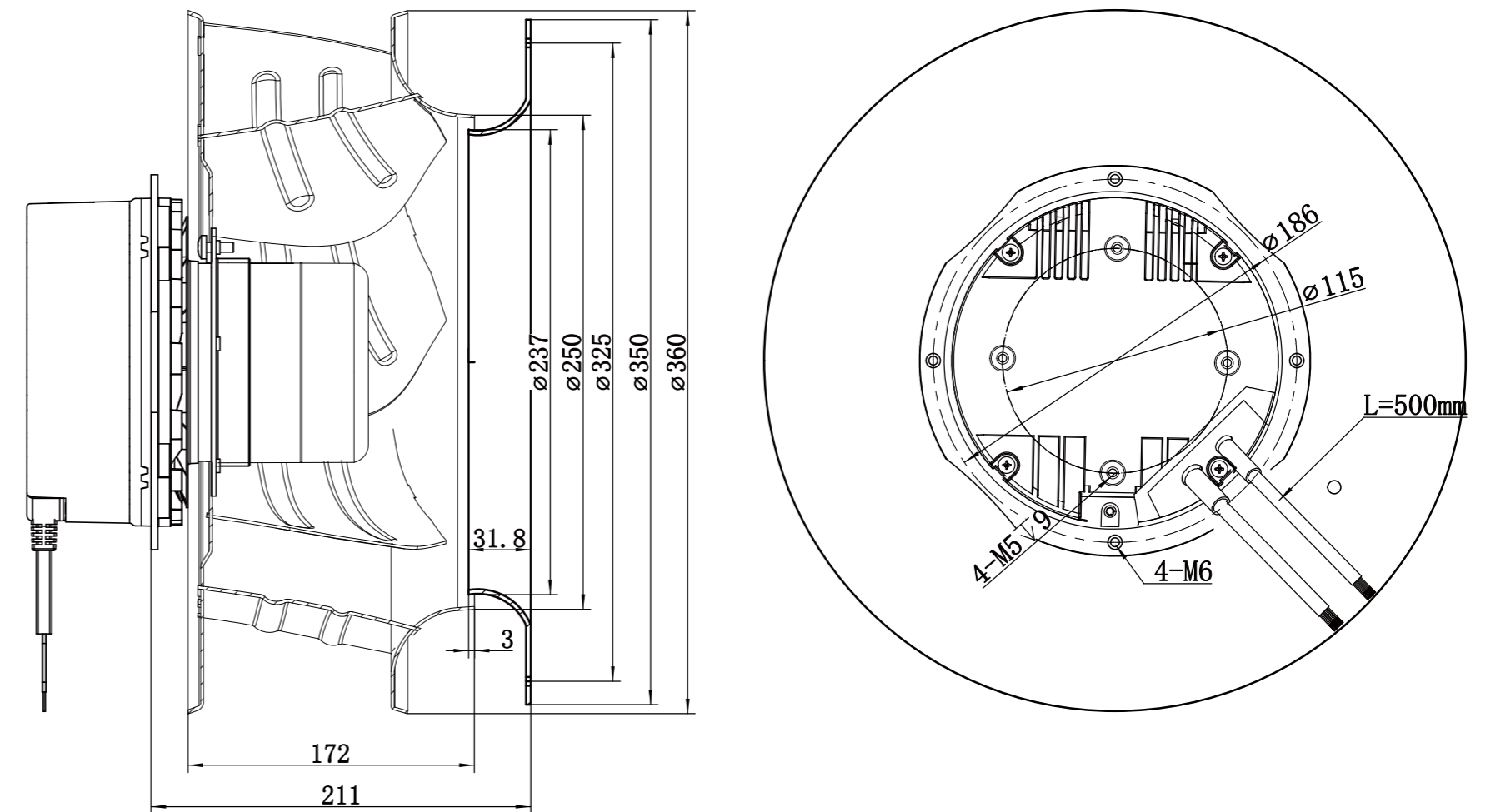


Technical Specifications

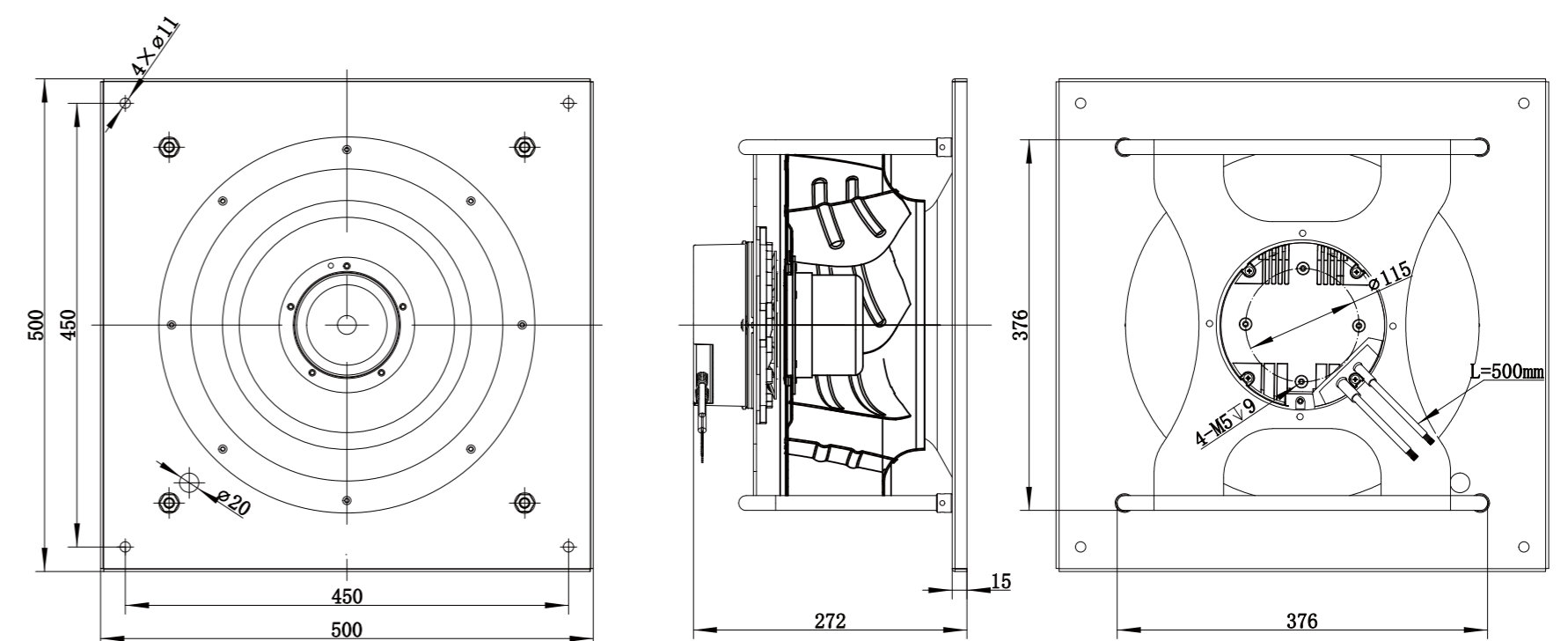
Model	Voltage (V)	Input Power (W)	Current (A)	Air Volume (m³/h)	Static Pressure (Pa)	Speed (RPM)	Noise [dB(A)]
LWBE3G355-102PS-16	230	285	2	3554	618	1800	76



LWBE3G355-102NS-20 (without bracket)



LWBE3G355-102PS-16 (with bracket)



LWBE-355 Series

Product Characteristic

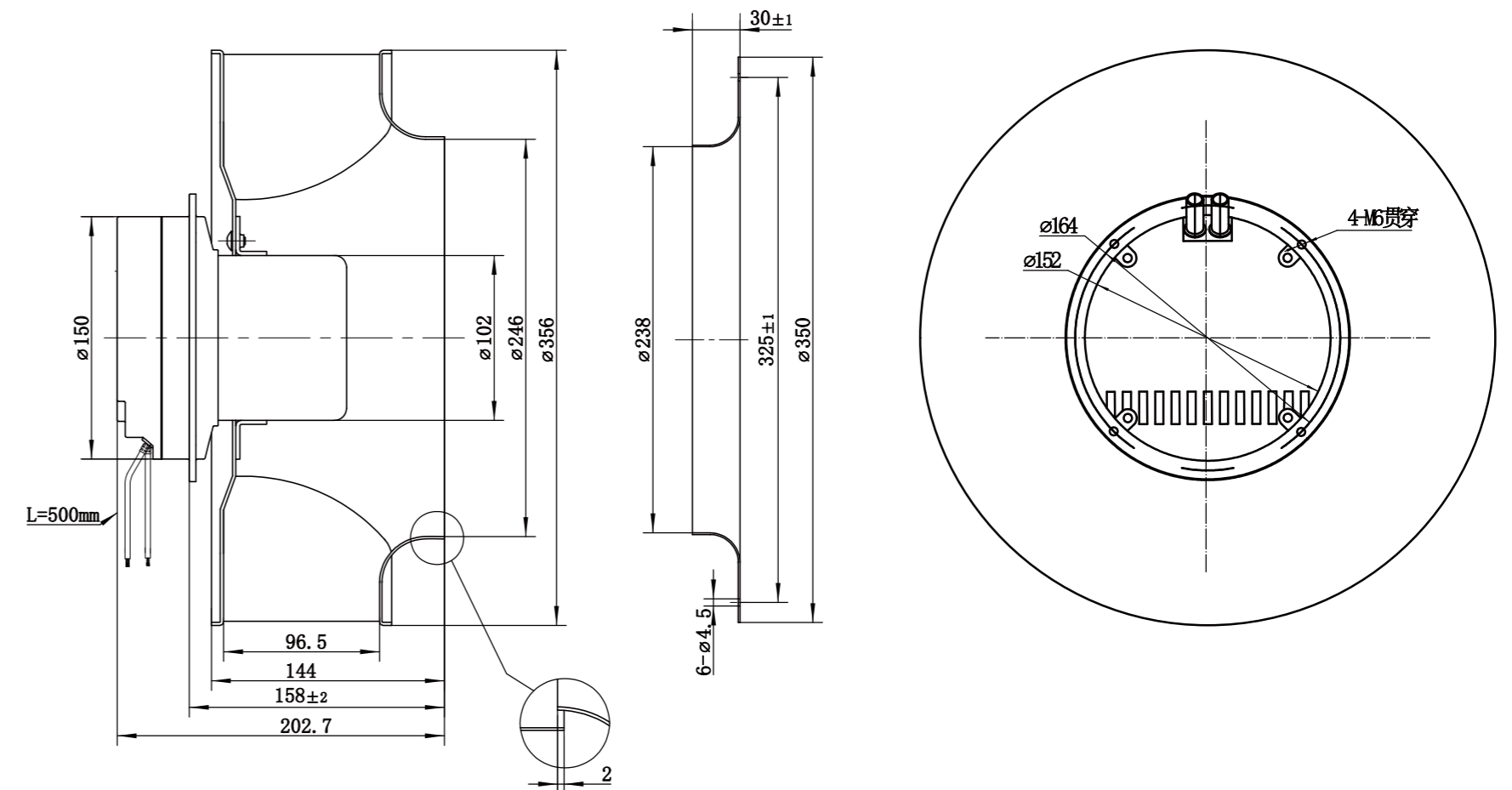
- Impeller Material: Aluminum Alloy
- Supply Voltage: 230V/115V,50/60Hz
- Mode Of Operation: S1
- Protection Class: IP54
- Insulation Class: B
- Operation Temperature: -25°C ~ +60°C
- Technical Feature: Control input 0-10VDC/PWM, Tech output, Locked-Rotor protection, Reverse Polarity Over-voltage protection, Soft Start Protection.



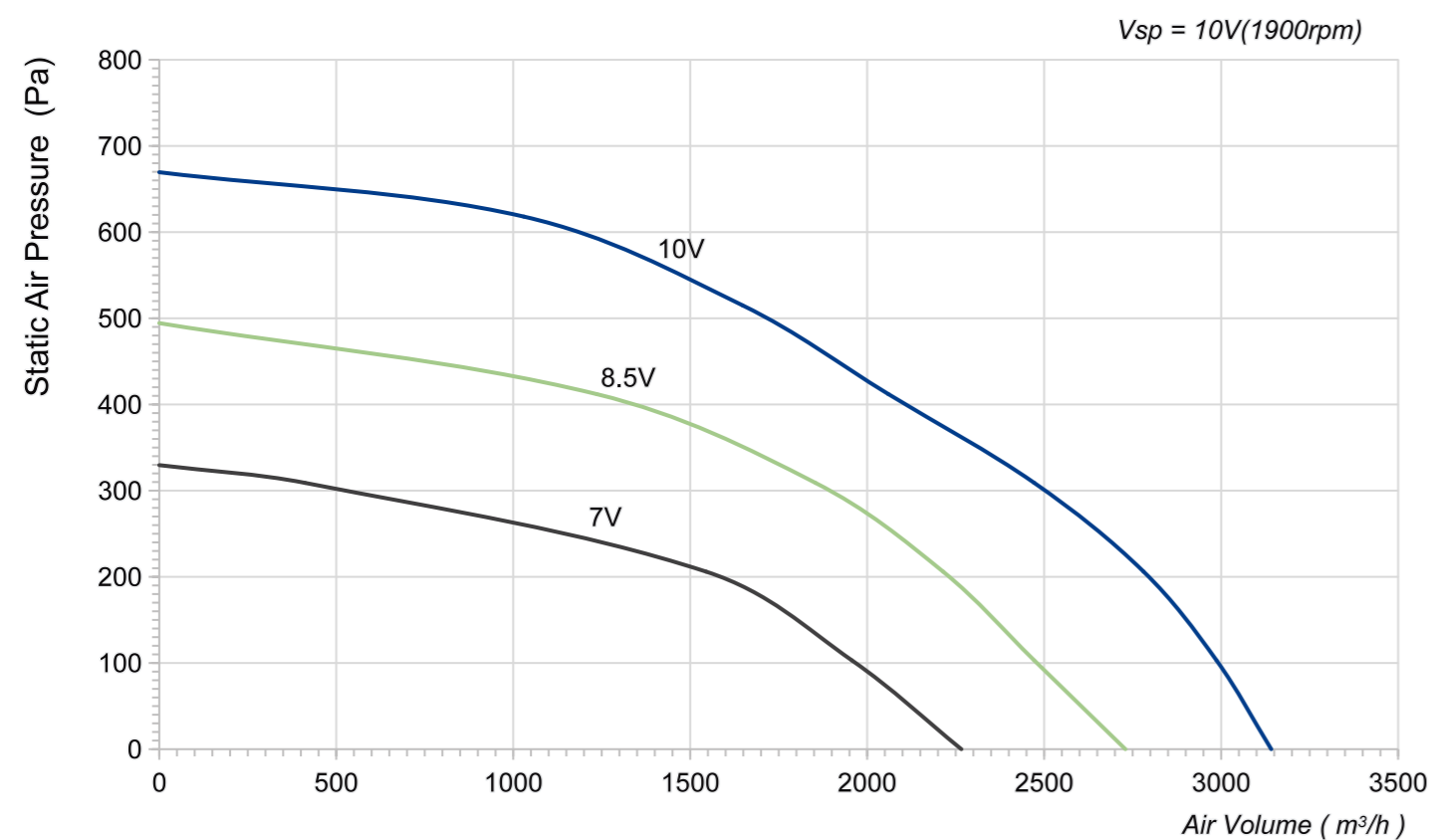
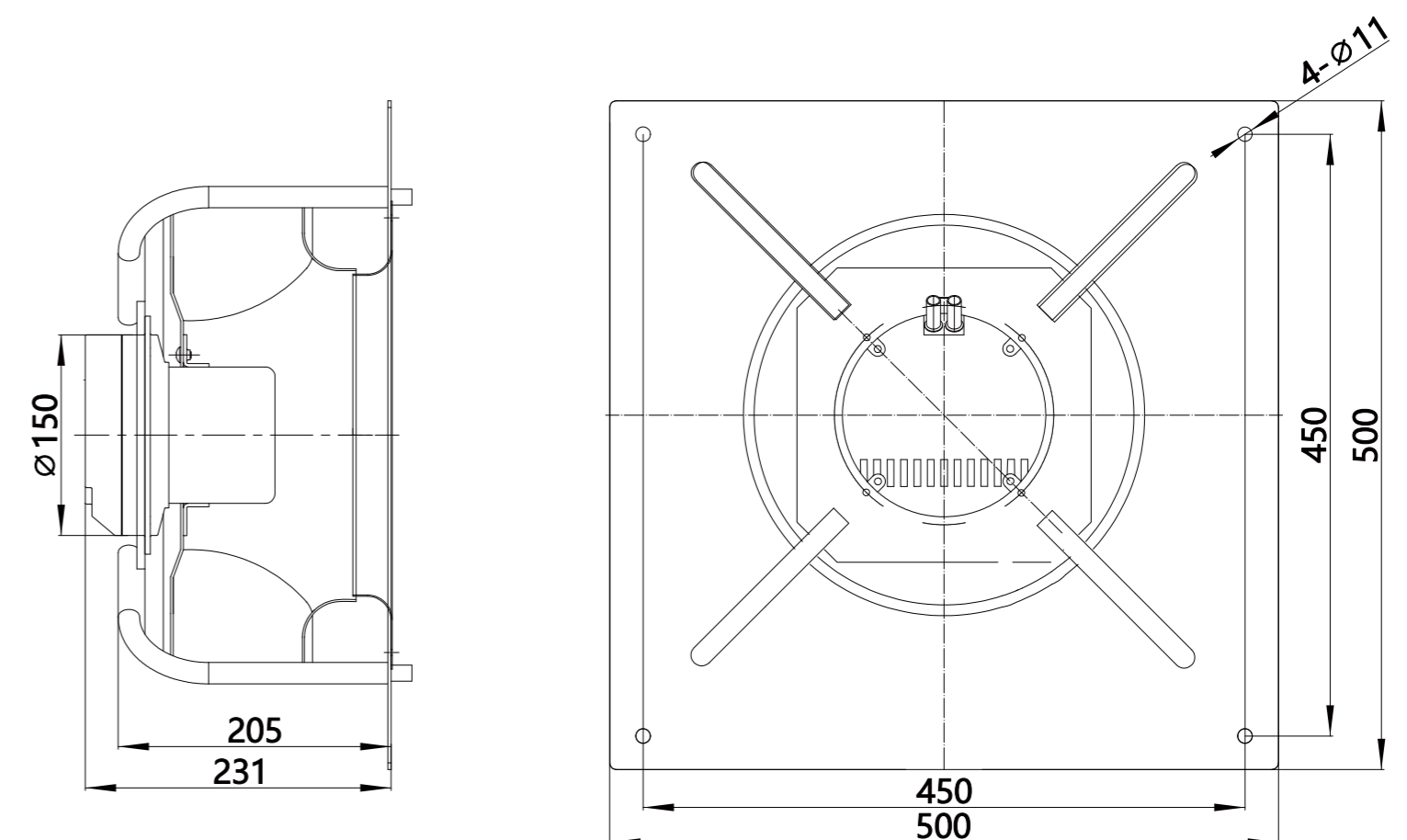
Technical Specifications

Model	Voltage (V)	Input Power (W)	Current (A)	Air Volume (m³/h)	Static Pressure (Pa)	Speed (RPM)	Noise [dB(A)]
LWBE3G355-102PS-17	230	330	1.5	3142	670	1900	77

LWBE3G355-102NS-21 (without bracket)



LWBE3G355-102PS-17 (with bracket)



LWBE-355 Series

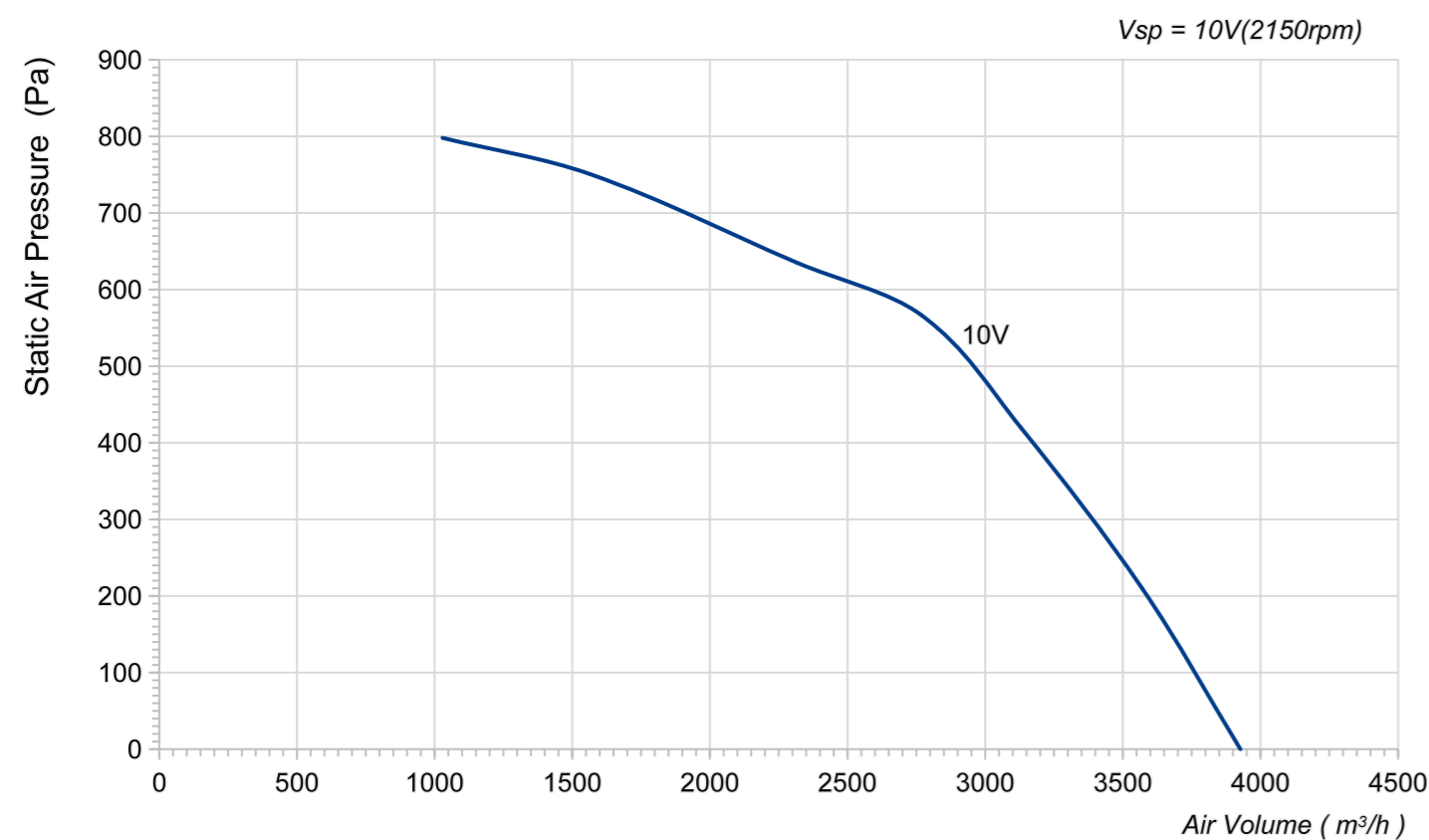
Product Characteristic

- Impeller Material: Aluminum Alloy
- Supply Voltage: 230V/115V,50/60Hz
- Mode Of Operation: S1
- Protection Class: IP54
- Insulation Class: F
- Operation Temperature: -25°C ~ +60°C
- Technical Feature: Control input 0-10VDC/PWM, Tech output, Locked-Rotor protection, Reverse Polarity Over-voltage protection, Soft Start Protection.

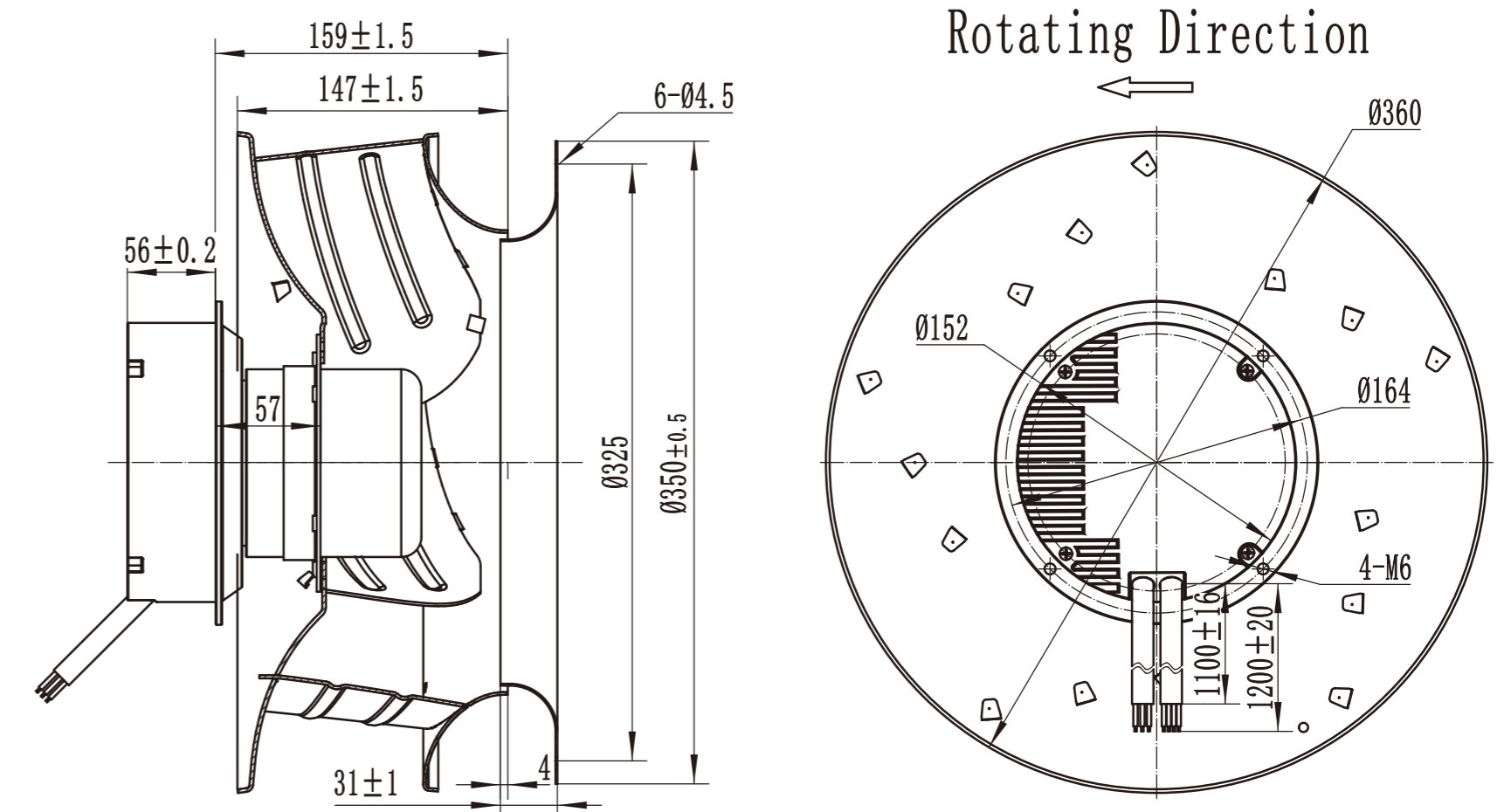


Technical Specifications

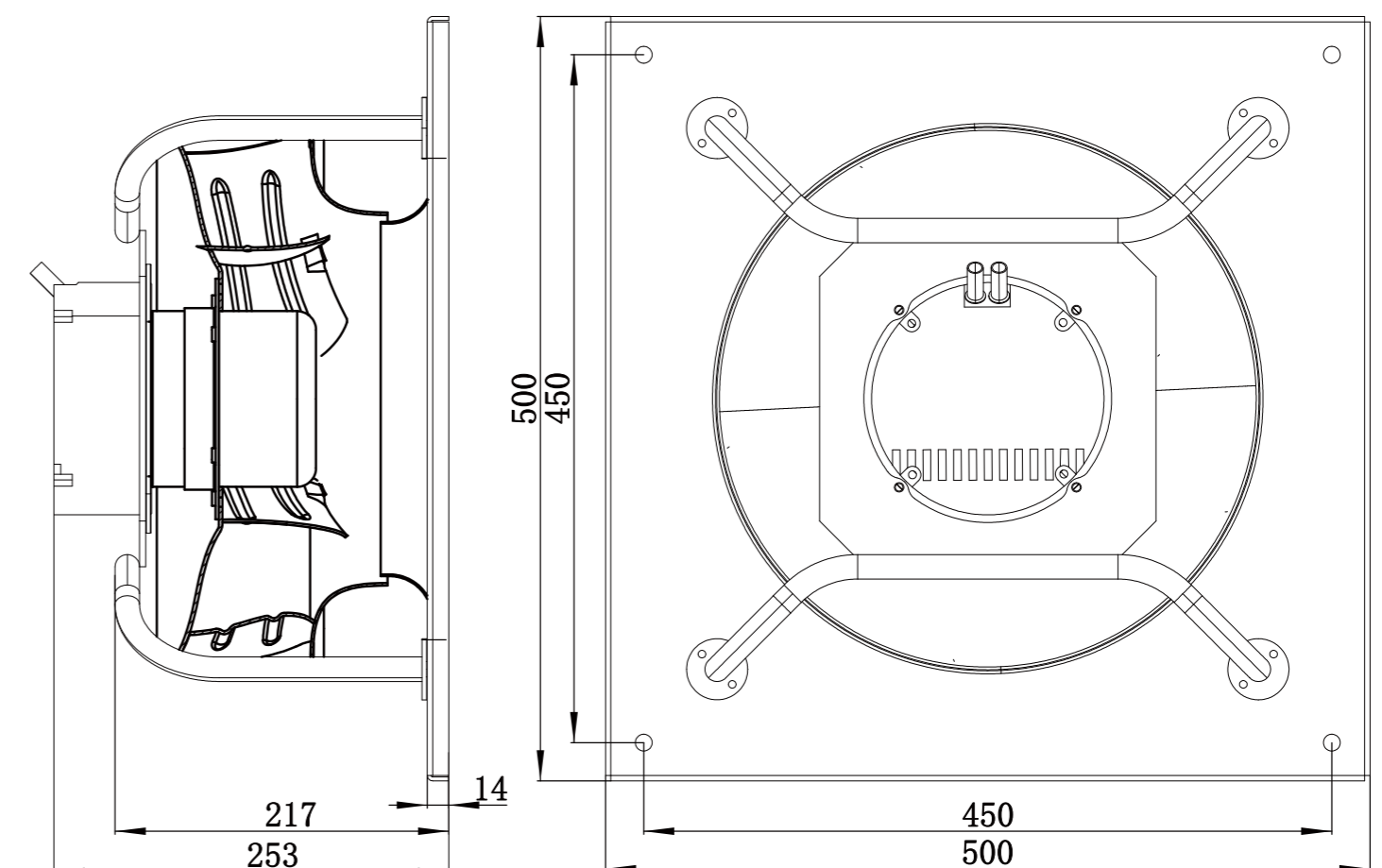
Model	Voltage (V)	Input Power (W)	Current (A)	Air Volume (m³/h)	Static Pressure (Pa)	Speed (RPM)	Noise [dB(A)]
LWBE3G355-102PS-18	230	498	/	3927	798	2150	/



LWBE3G355-102NS-15 (without bracket)



LWBE3G355-102PS-18 (with bracket)



LWBE-355 Series

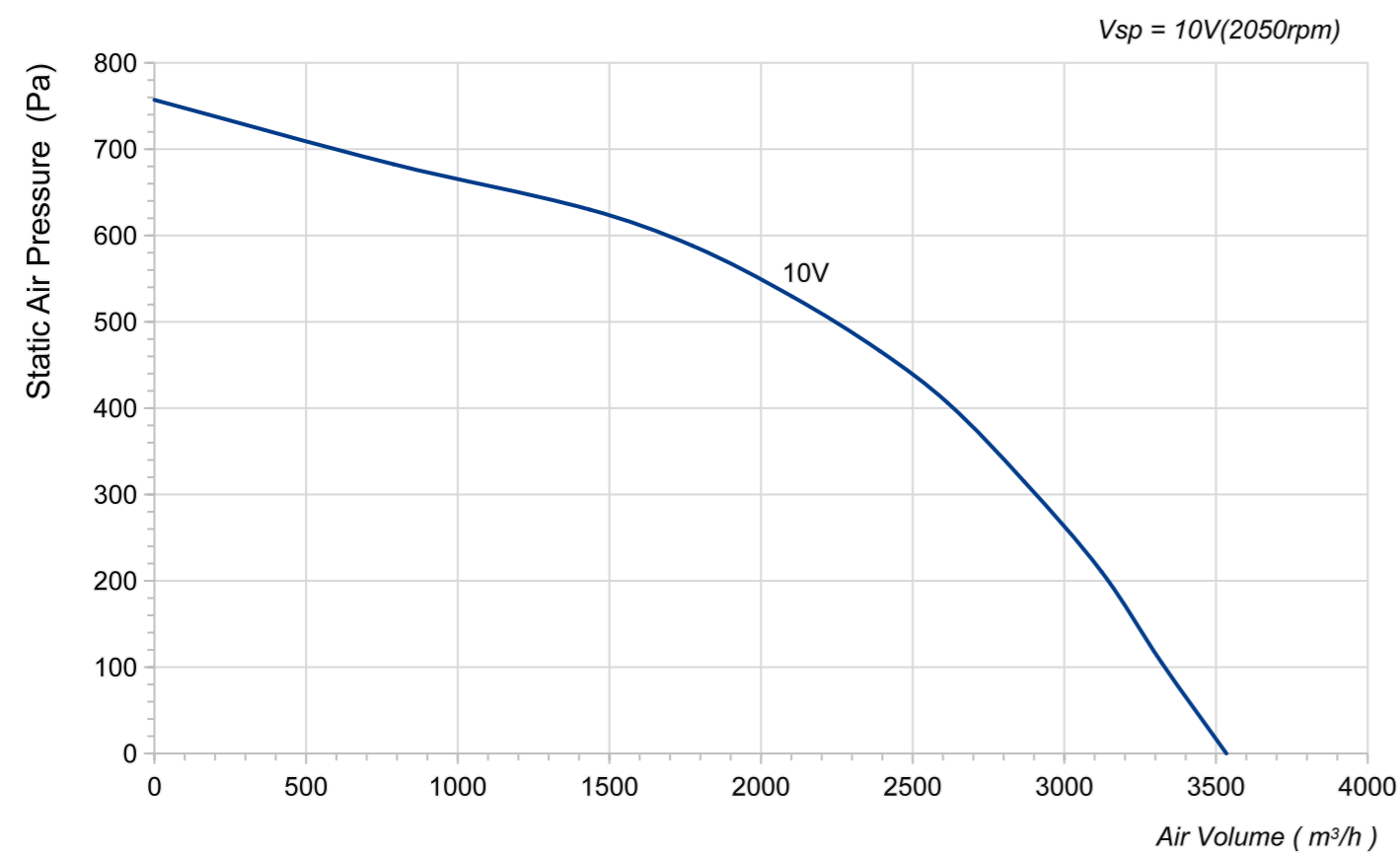
Product Characteristic

- Impeller Material: Aluminum Alloy
- Supply Voltage: 230V/115V,50/60Hz
- Mode Of Operation: S1
- Protection Class: IP54
- Insulation Class: F
- Operation Temperature: -25°C ~ +60°C
- Technical Feature: Control input 0-10VDC/PWM, Tech output, Locked-Rotor protection, Reverse Polarity Over-voltage protection, Soft Start Protection.

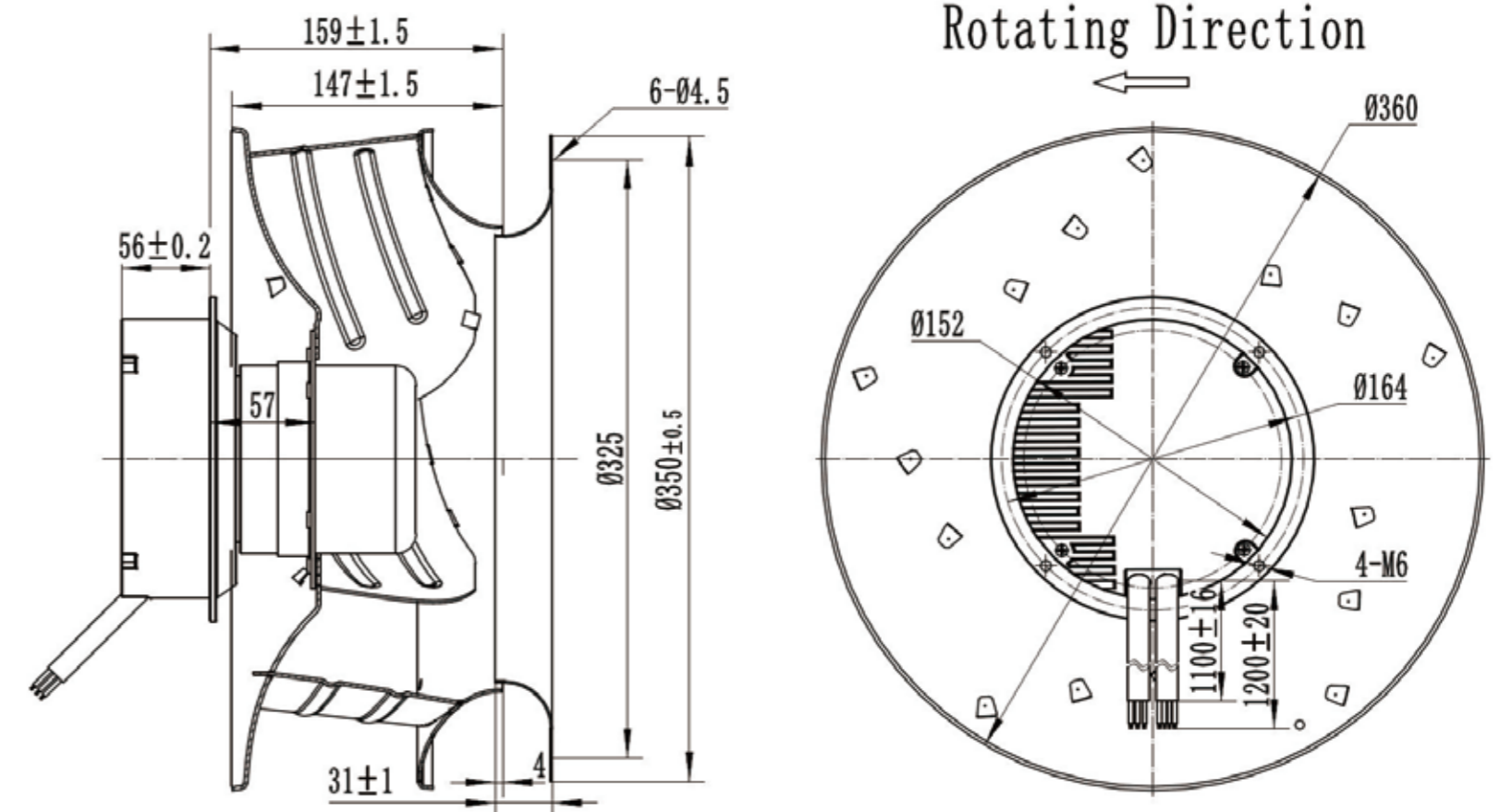


Technical Specifications

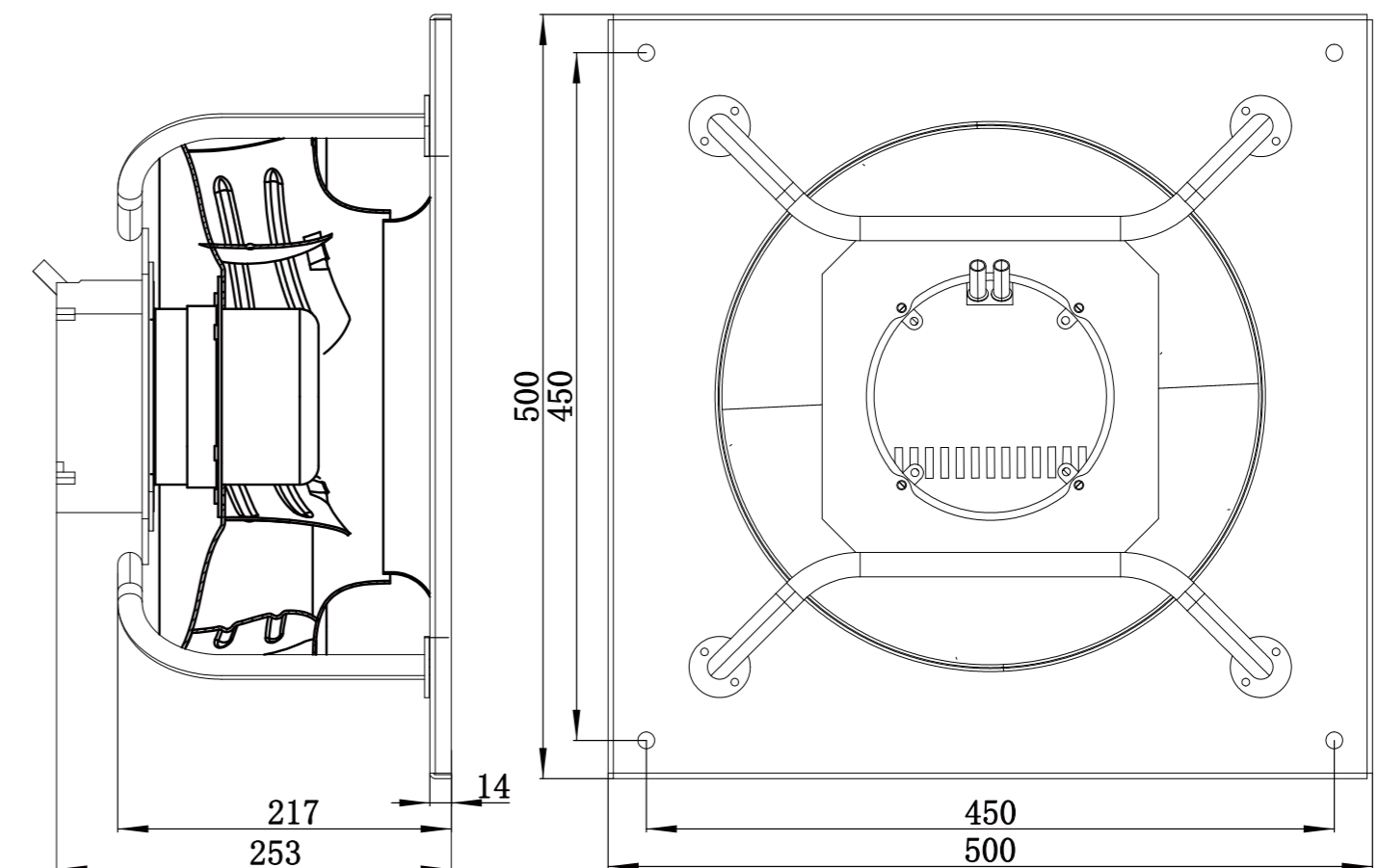
Model	Voltage (V)	Input Power (W)	Current (A)	Air Volume (m³/h)	Static Pressure (Pa)	Speed (RPM)	Noise [dB(A)]
LWBE3G355-102PS-02	230	585	5.3	3534	757	2050	/



LWBE3G355-102NS-13 (without bracket)



LWBE3G355-102PS-02 (with bracket)



LWBE-355 Series

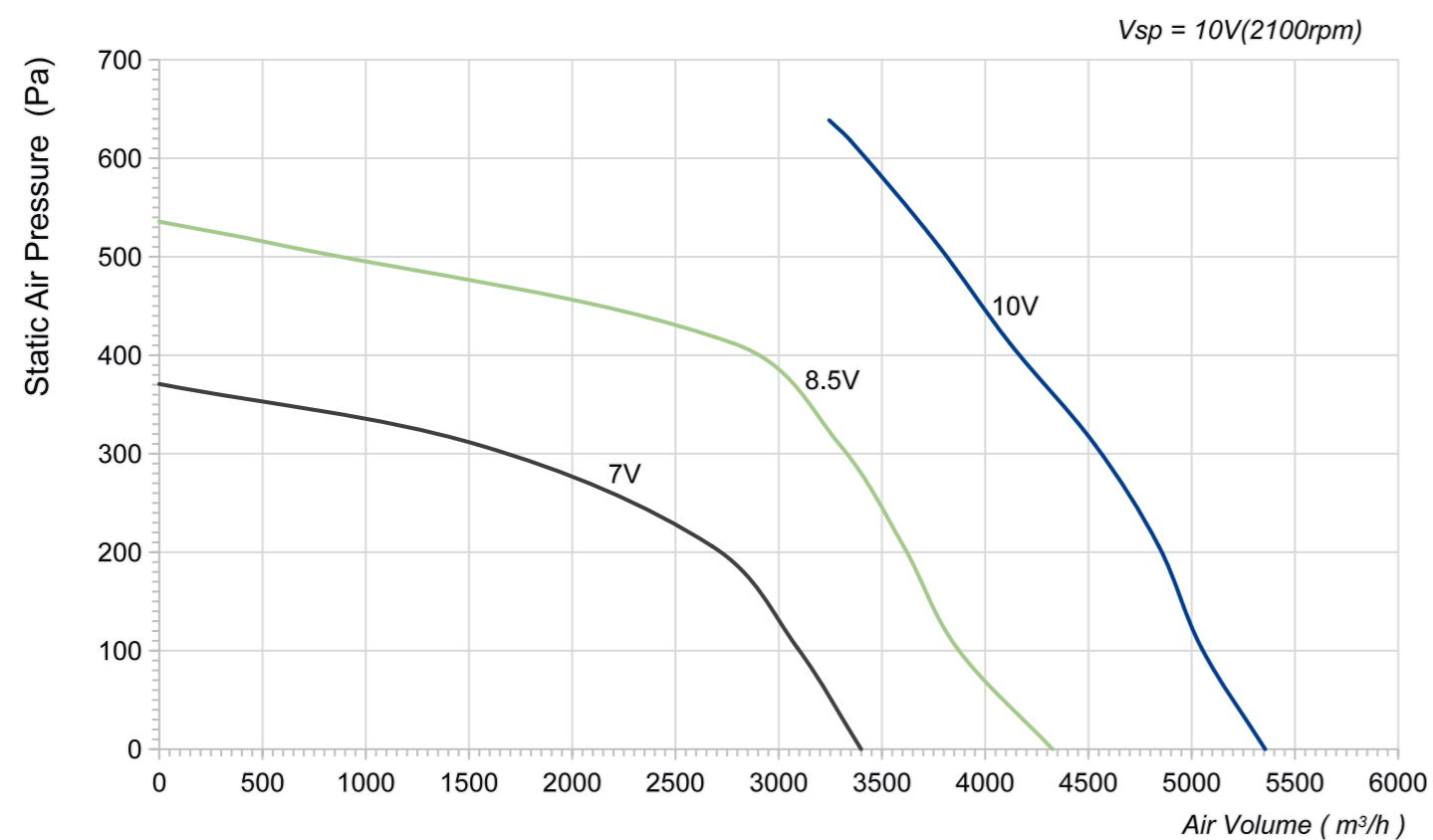
Product Characteristic

- Impeller Material: Aluminum Alloy
- Supply Voltage: 400V,50/60Hz
- Mode Of Operation: S1
- Protection Class: IP44
- Insulation Class: F
- Operation Temperature: -25°C ~ +60°C
- Technical Feature: Control input 0-10VDC/PWM, Tech output, Locked-Rotor protection, Reverse Polarity Over-voltage protection, Soft Start Protection.

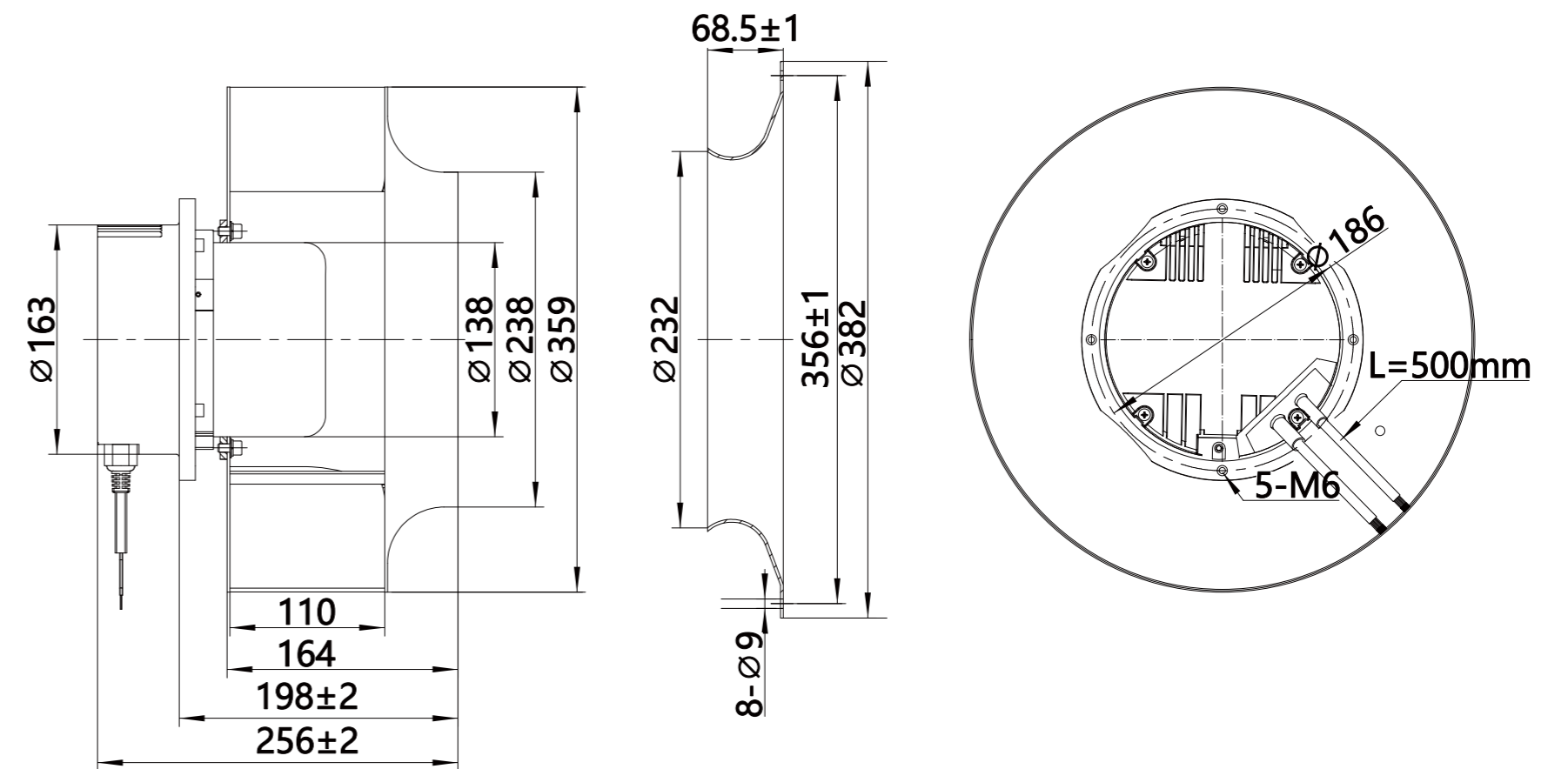


Technical Specifications

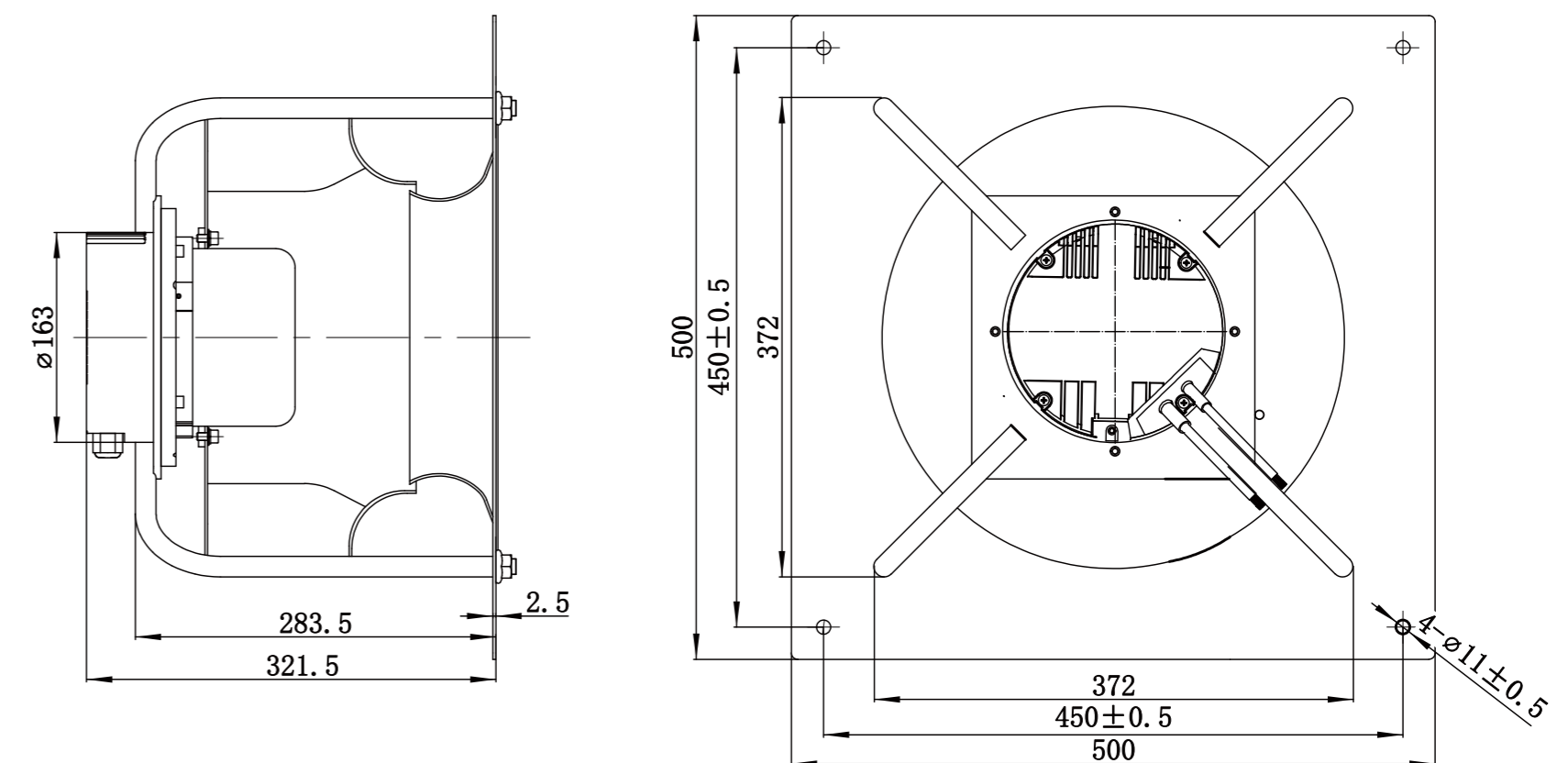
Model	Voltage (V)	Input Power (W)	Current (A)	Air Volume (m³/h)	Static Pressure (Pa)	Speed (RPM)	Noise [dB(A)]
LWBE3G355-138PT-20	400	990	1.63	5356	639	2100	79



LWBE3G355-138NT-17 (without bracket)



LWBE3G355-138PT-20 (with bracket)



LWBE-355 Series

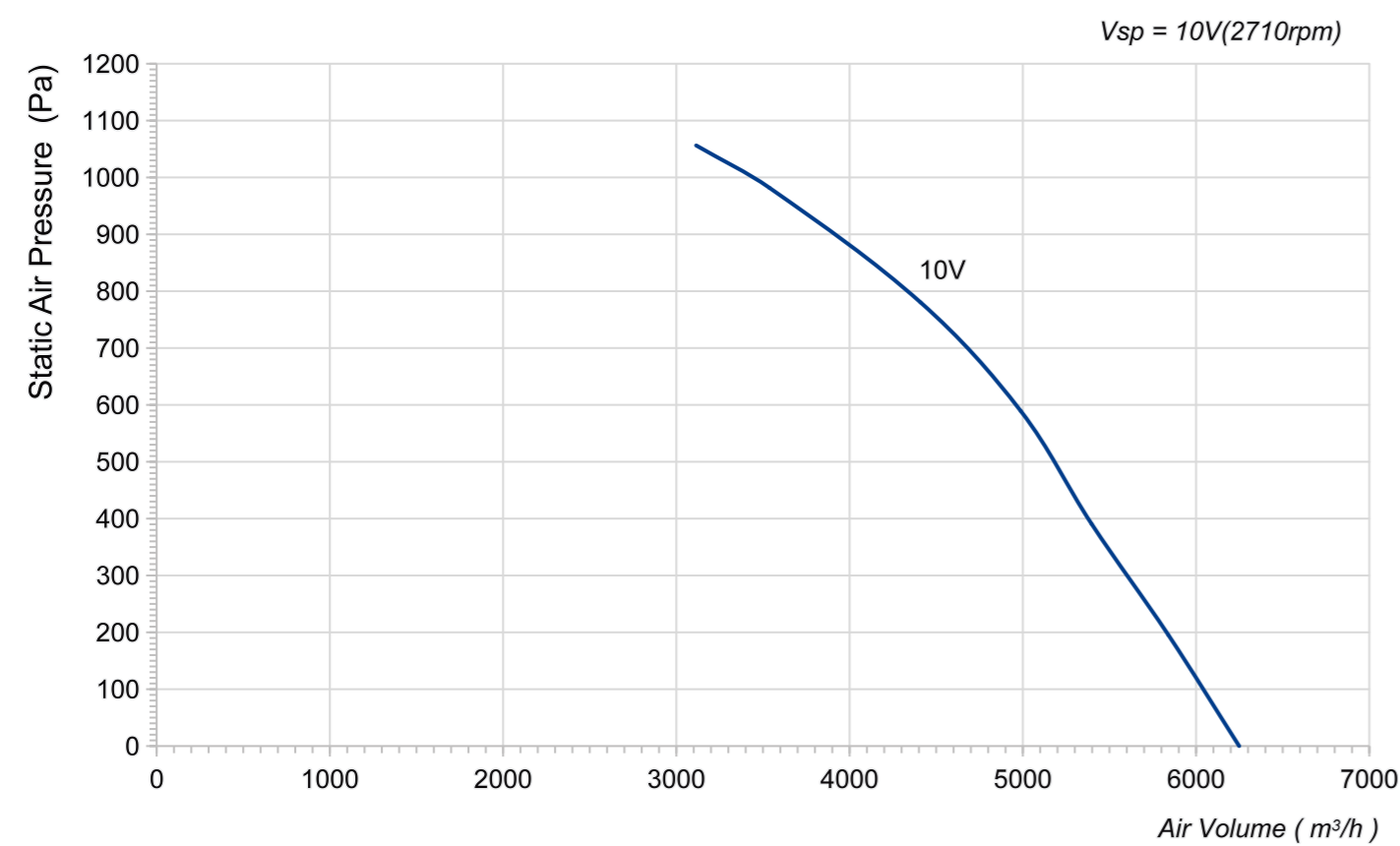
Product Characteristic

- Impeller Material: Aluminum Alloy
- Supply Voltage: 400V,50/60Hz
- Mode Of Operation: S1
- Protection Class: IP54
- Insulation Class: F
- Operation Temperature: -25°C ~ +60°C
- Technical Feature: Control input 0-10VDC/PWM, Tech output, Locked-Rotor protection, Reverse Polarity Over-voltage protection, Soft Start Protection.

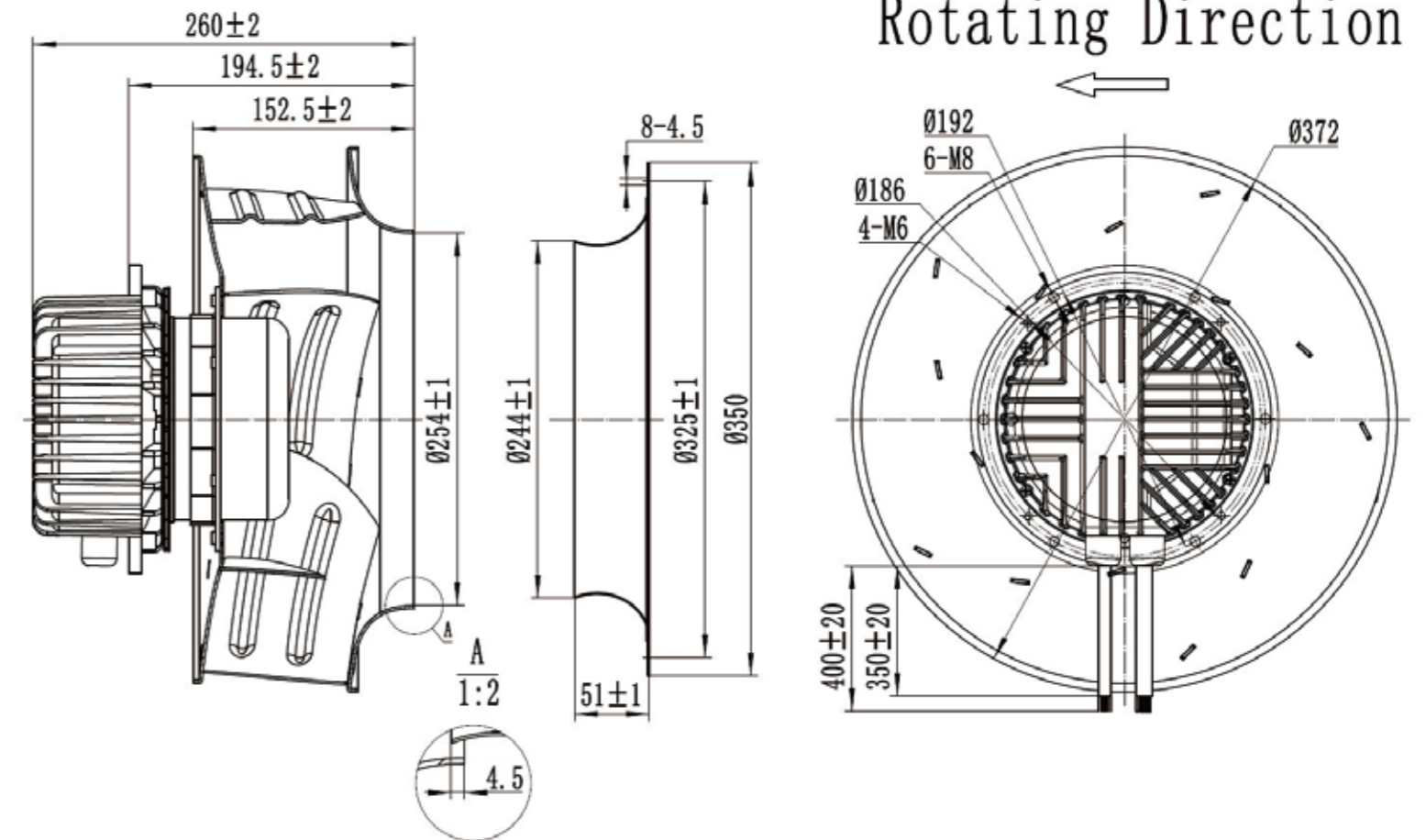


Technical Specifications

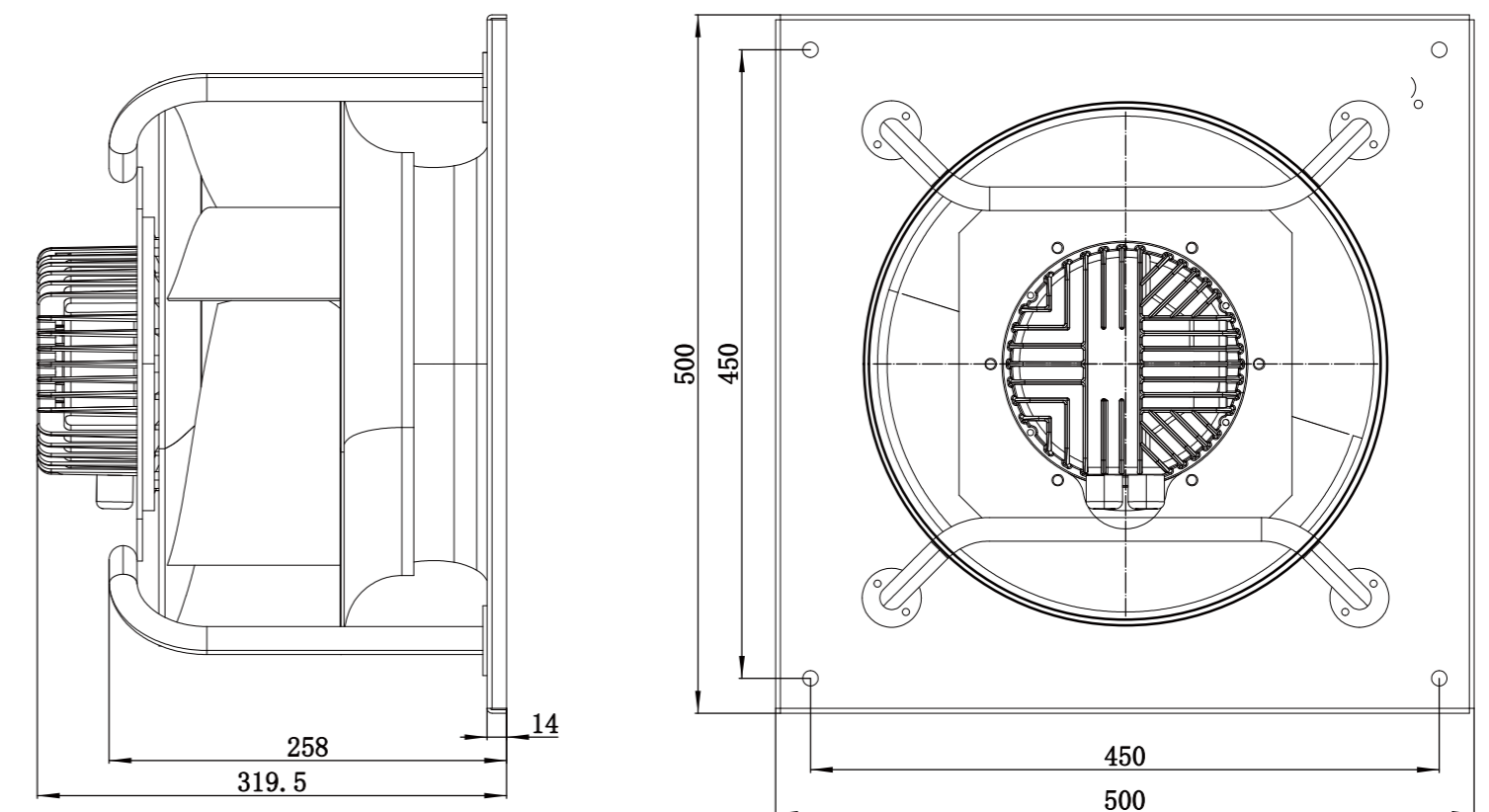
Model	Voltage (V)	Input Power (W)	Current (A)	Air Volume (m³/h)	Static Pressure (Pa)	Speed (RPM)	Noise [dB(A)]
LWBE3G355-138PT-12	400	1500	3.6	6249	1056	2710	77



LWBE3G355-138NT-27 (without bracket)



LWBE3G355-138PT-12 (with bracket)



LWBE-355 Series



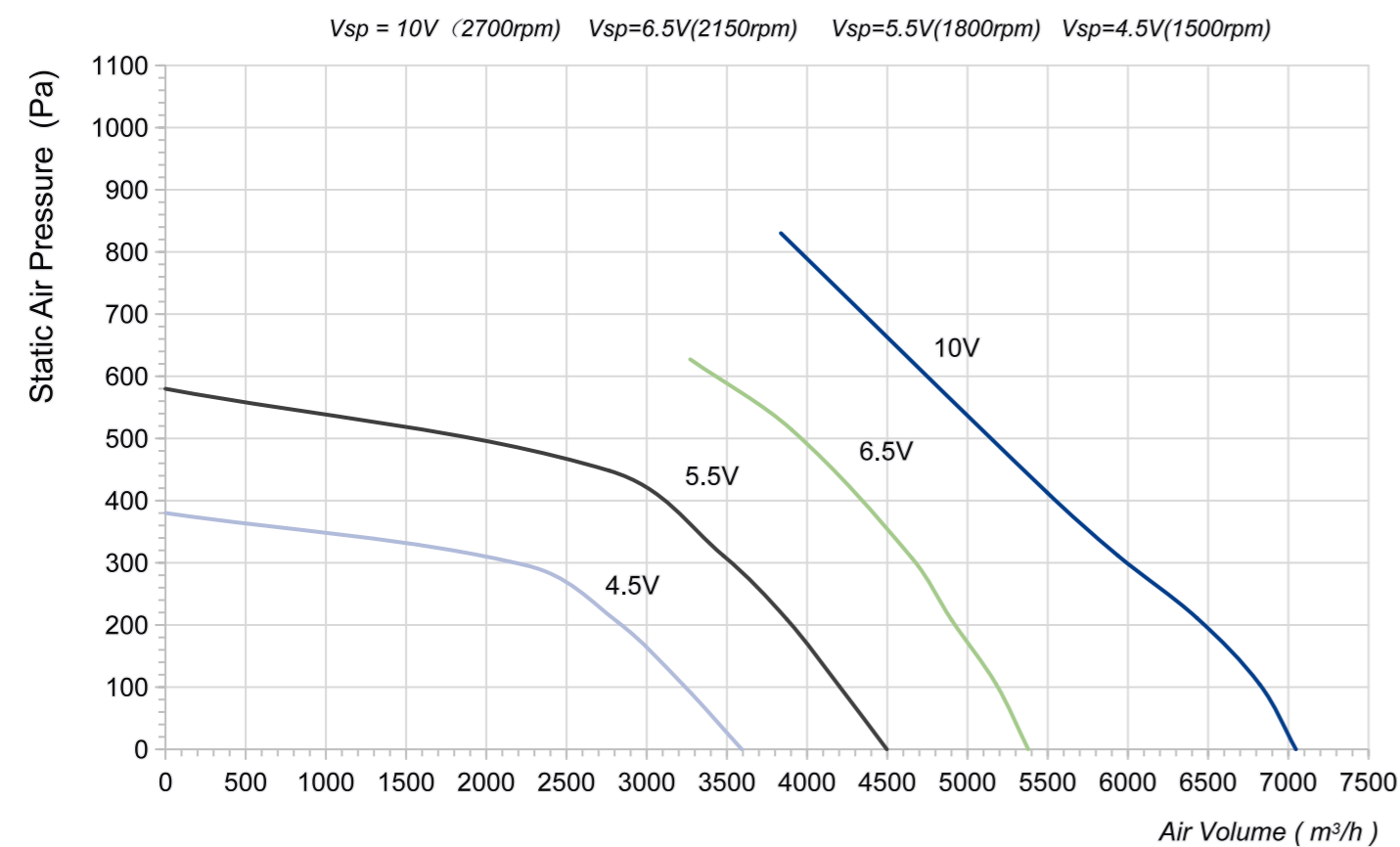
Product Characteristic

- Impeller Material: Aluminum Alloy
- Supply Voltage: 400V,50/60Hz
- Mode Of Operation: S1
- Protection Class: IP54
- Insulation Class: F
- Operation Temperature: -25°C ~ +60°C
- Technical Feature: Control input 0-10VDC/PWM, Tech output, Locked-Rotor protection, Reverse Polarity Over-voltage protection, Soft Start Protection.

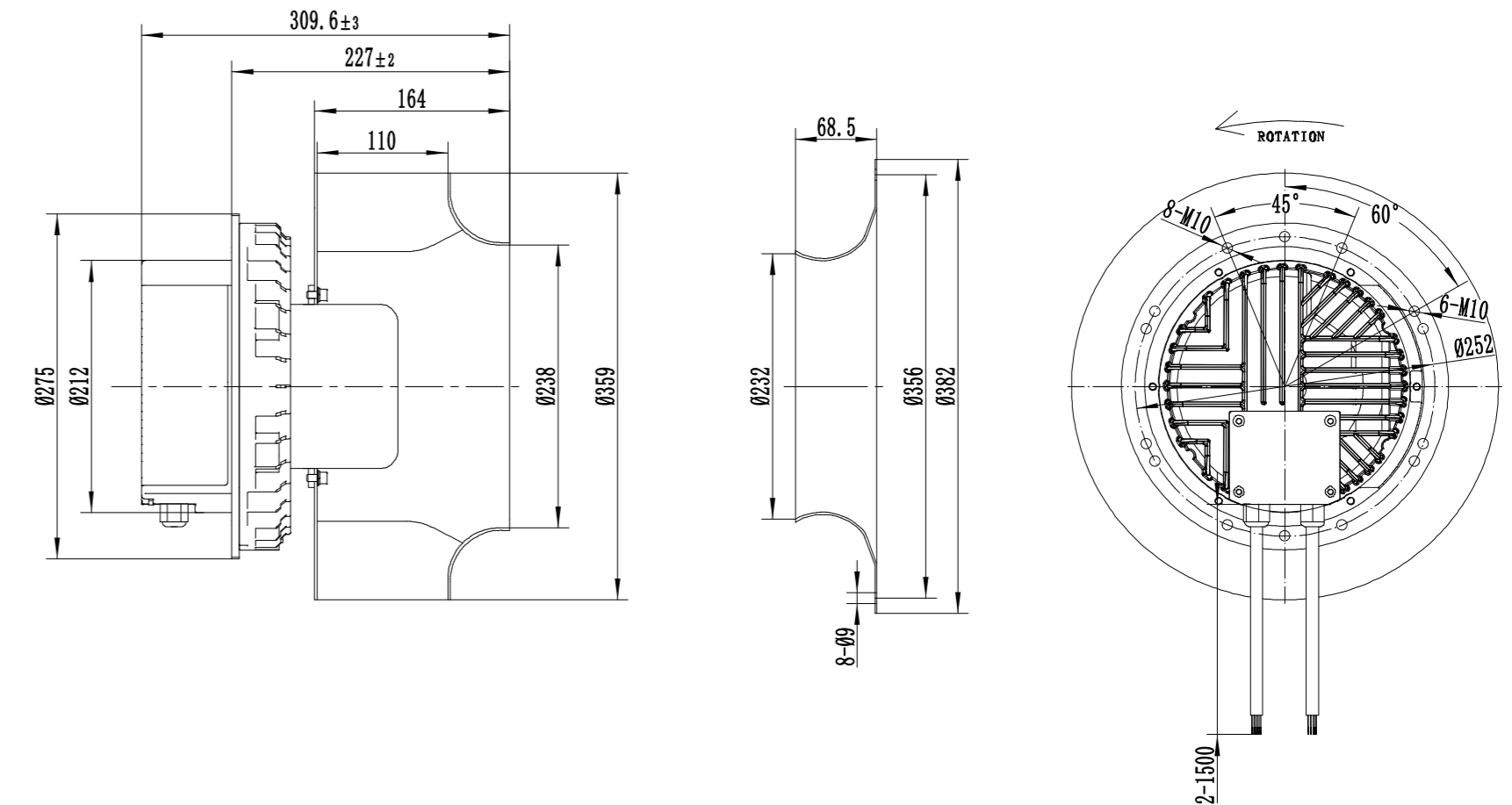


Technical Specifications

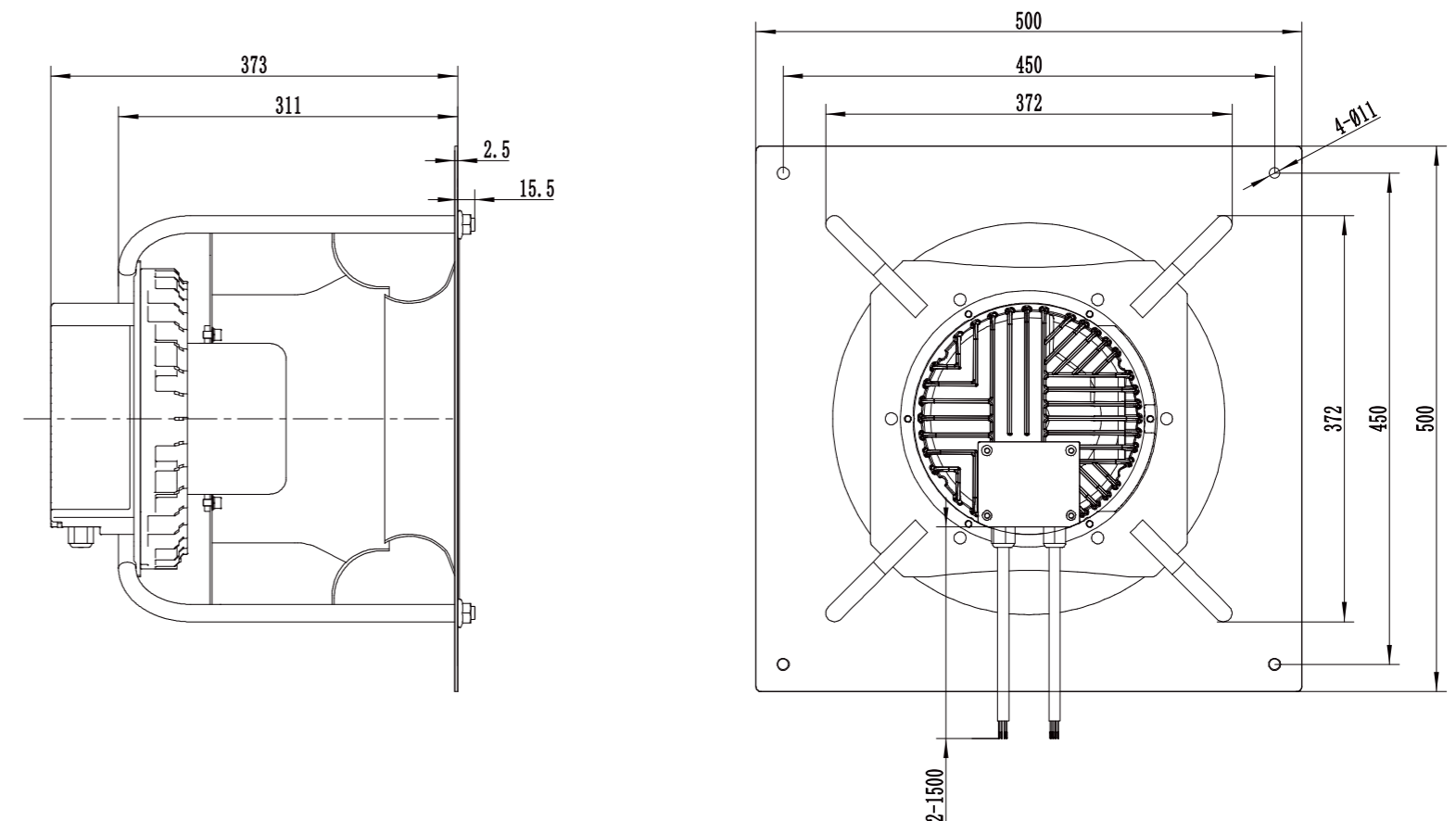
Model	Voltage (V)	Input Power (W)	Current (A)	Air Volume (m³/h)	Static Pressure (Pa)	Speed (RPM)	Noise [dB(A)]
LWBE3G355-138PT-05	400	1700	2.8	7045	830	2700	81



LWBE3G355-138NT-12 (without bracket)



LWBE3G355-138PT-05 (with bracket)



LWBE-355 Series



Product Characteristic

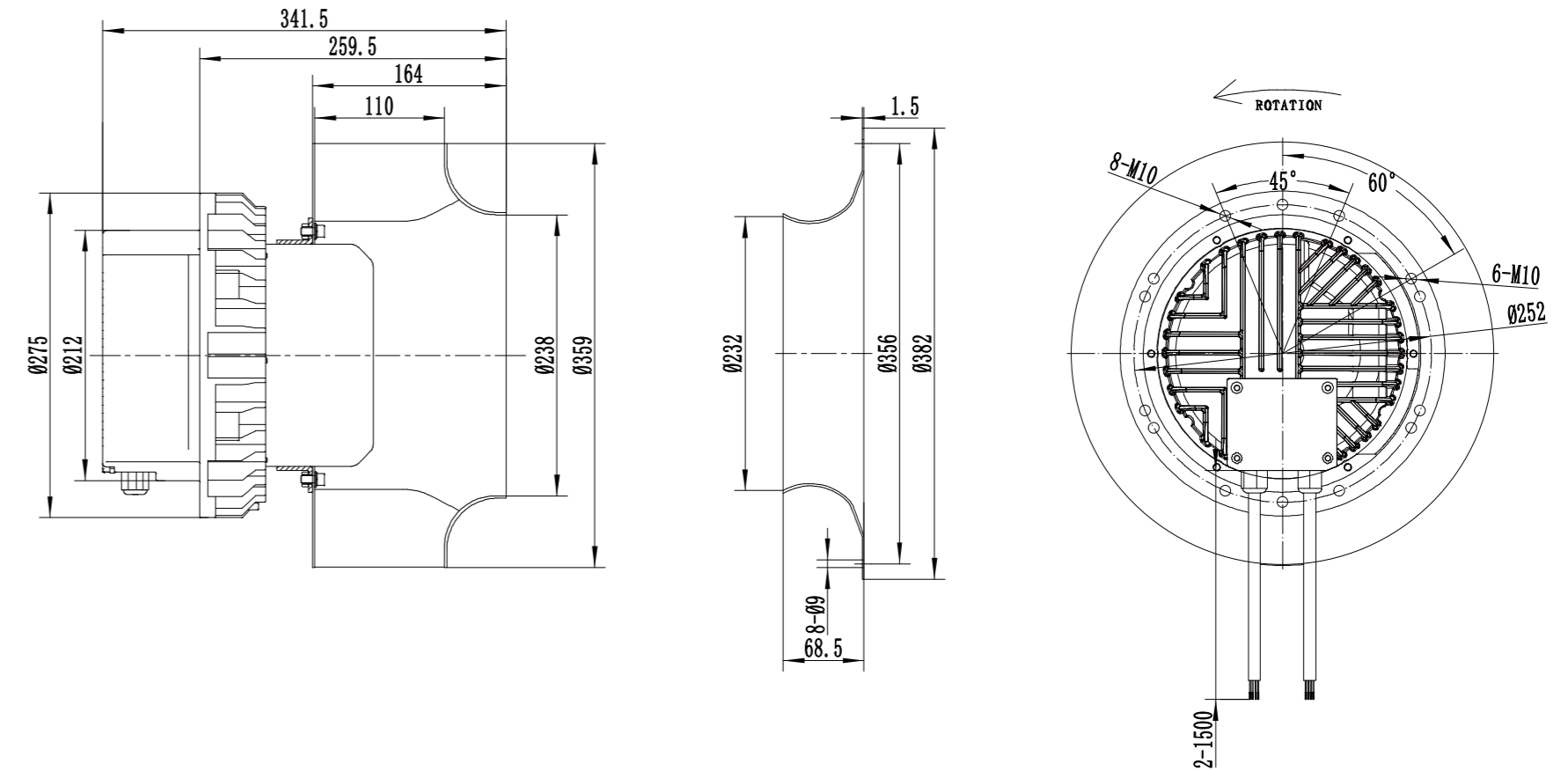
- Impeller Material: Aluminum Alloy
- Supply Voltage: 400V,50/60Hz
- Mode Of Operation: S1
- Protection Class: IP54
- Insulation Class: F
- Operation Temperature: -25°C ~ +60°C
- Technical Feature: Control input 0-10VDC/PWM, Tech output, Locked-Rotor protection, Reverse Polarity Over-voltage protection, Soft Start Protection.



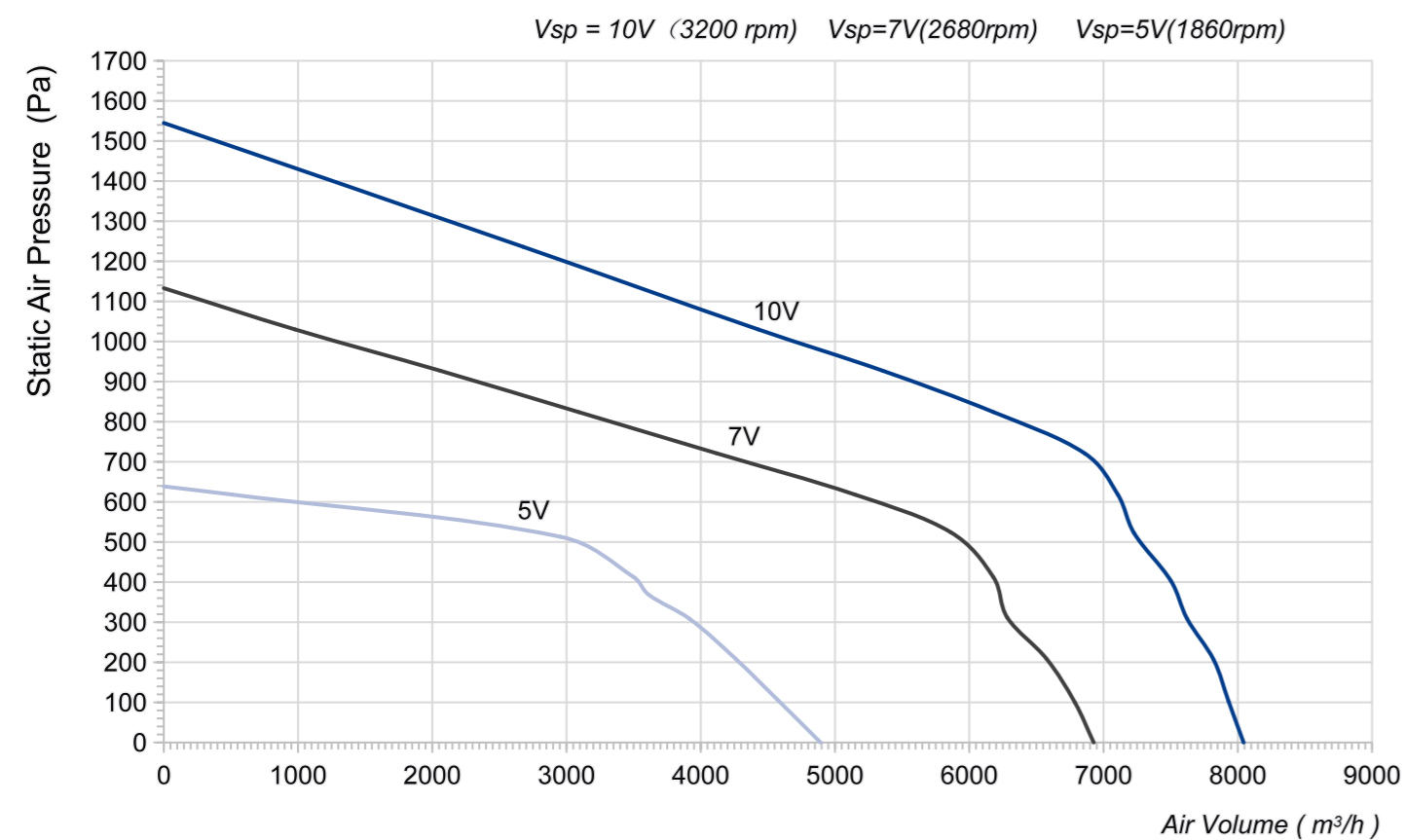
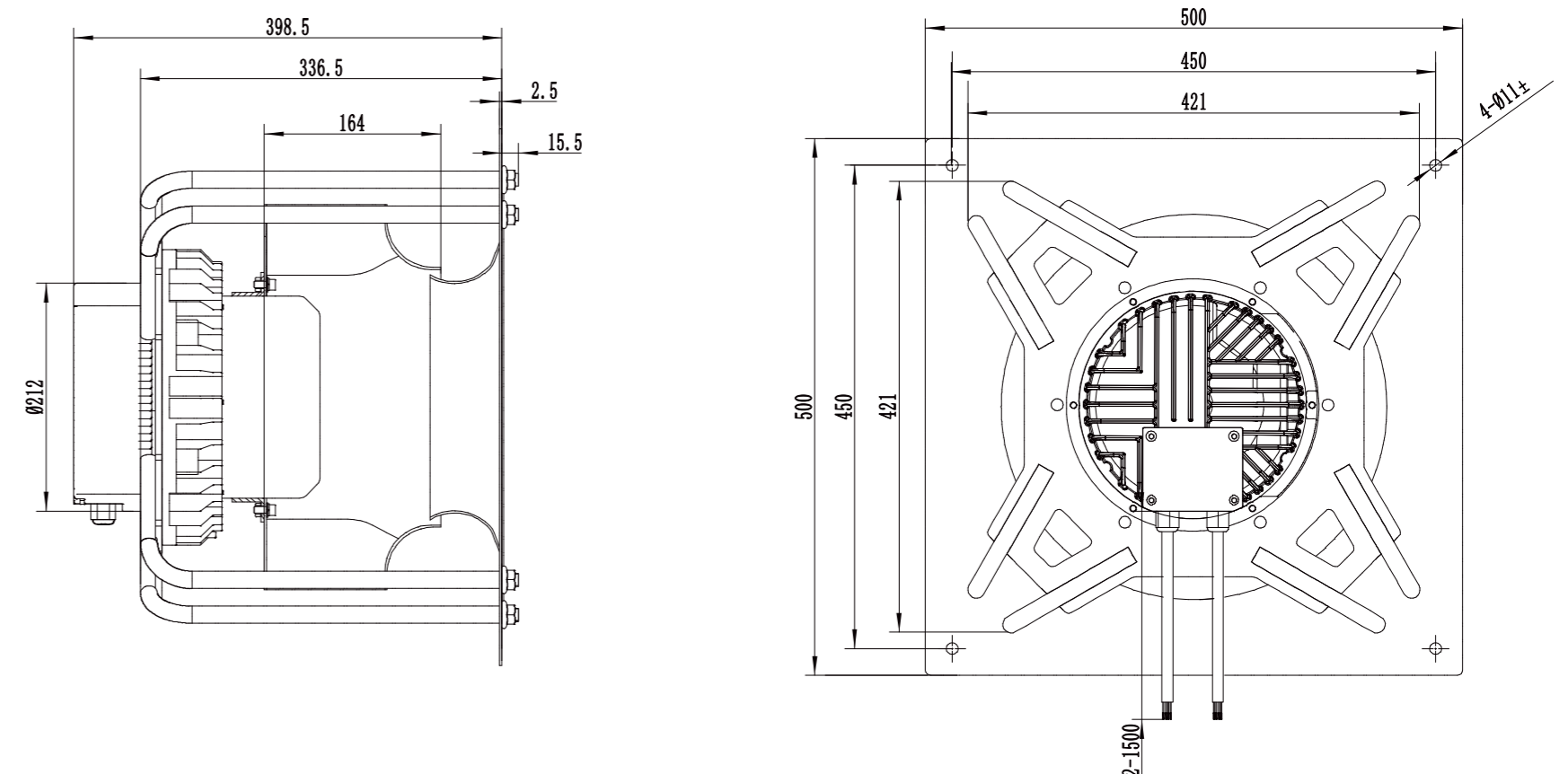
Technical Specifications

Model	Voltage (V)	Input Power (W)	Current (A)	Air Volume (m³/h)	Static Pressure (Pa)	Speed (RPM)	Noise [dB(A)]
LWBE3G355-188PT-11	400	3090	4.2	8034	1545	3200	96

LWBE3G355-188NT-26 (without bracket)



LWBE3G355-188PT-11 (with bracket)



LWBE-355 Series

Product Characteristic

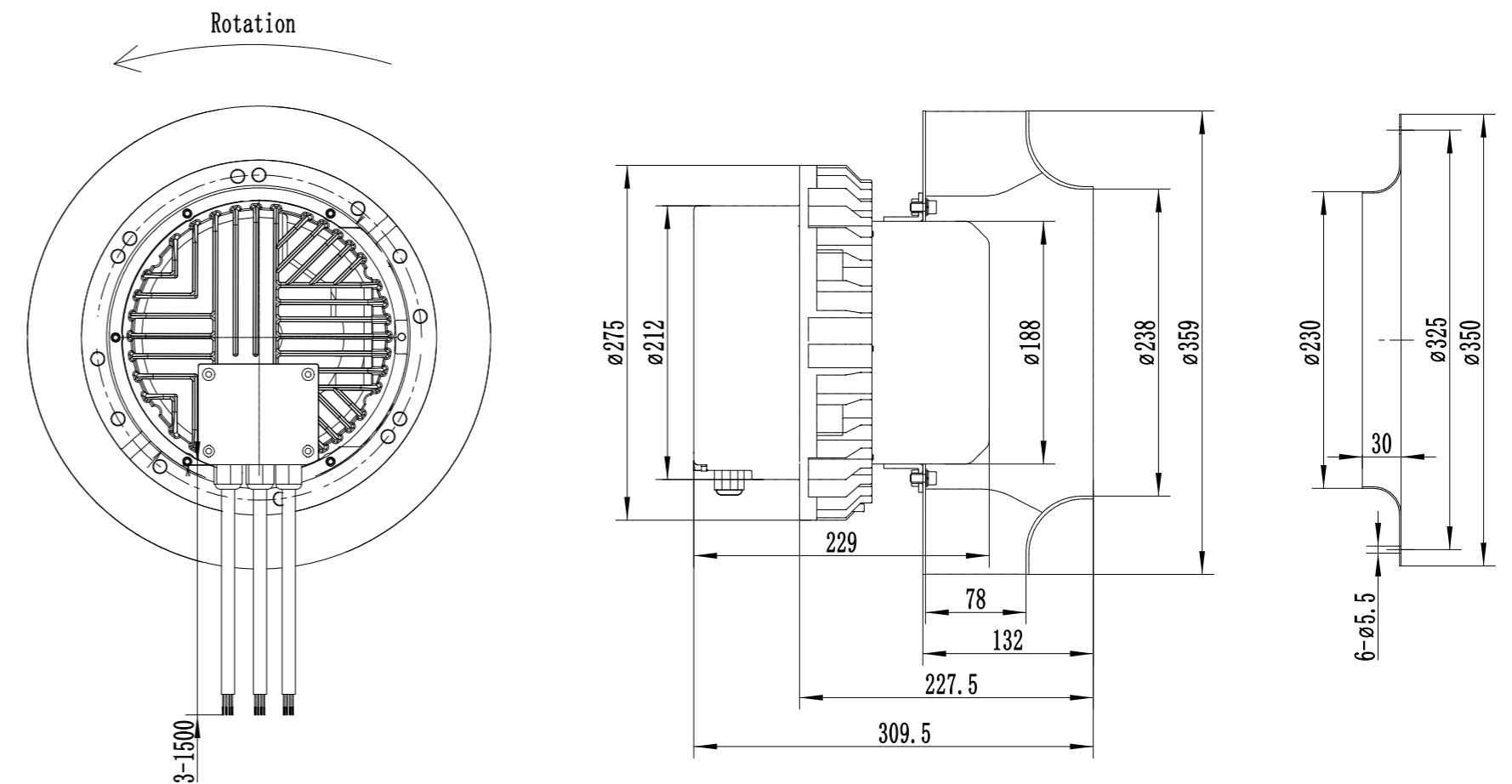
- Impeller Material: Aluminum Alloy
- Supply Voltage: 380V,50/60Hz
- Mode Of Operation: S1
- Protection Class: IP44
- Insulation Class: F
- Operation Temperature: -30°C ~ +60°C
- Technical Feature: Control input 0-10VDC/PWM, Tech output, Locked-Rotor protection, Reverse Polarity Over-voltage protection, Soft Start Protection.



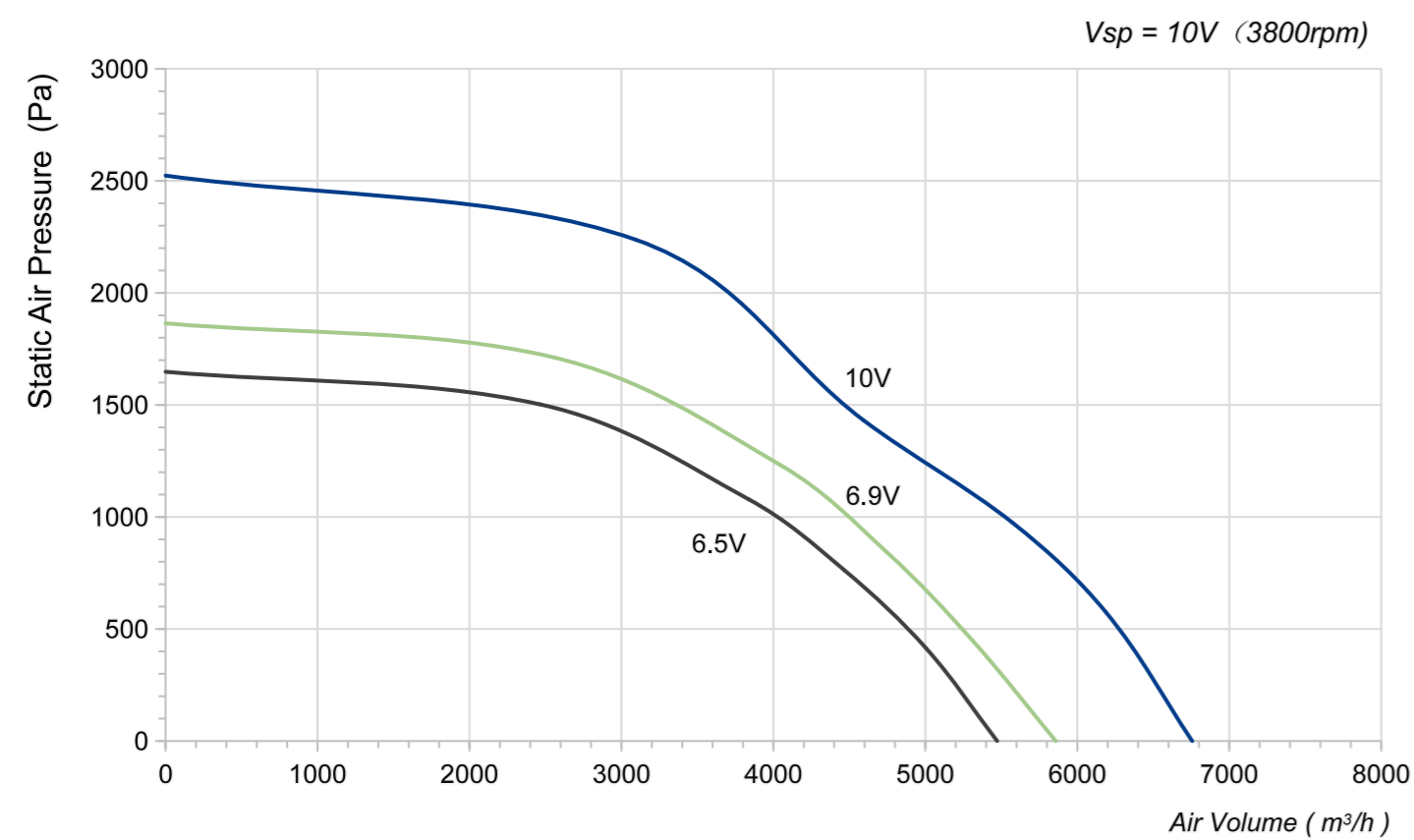
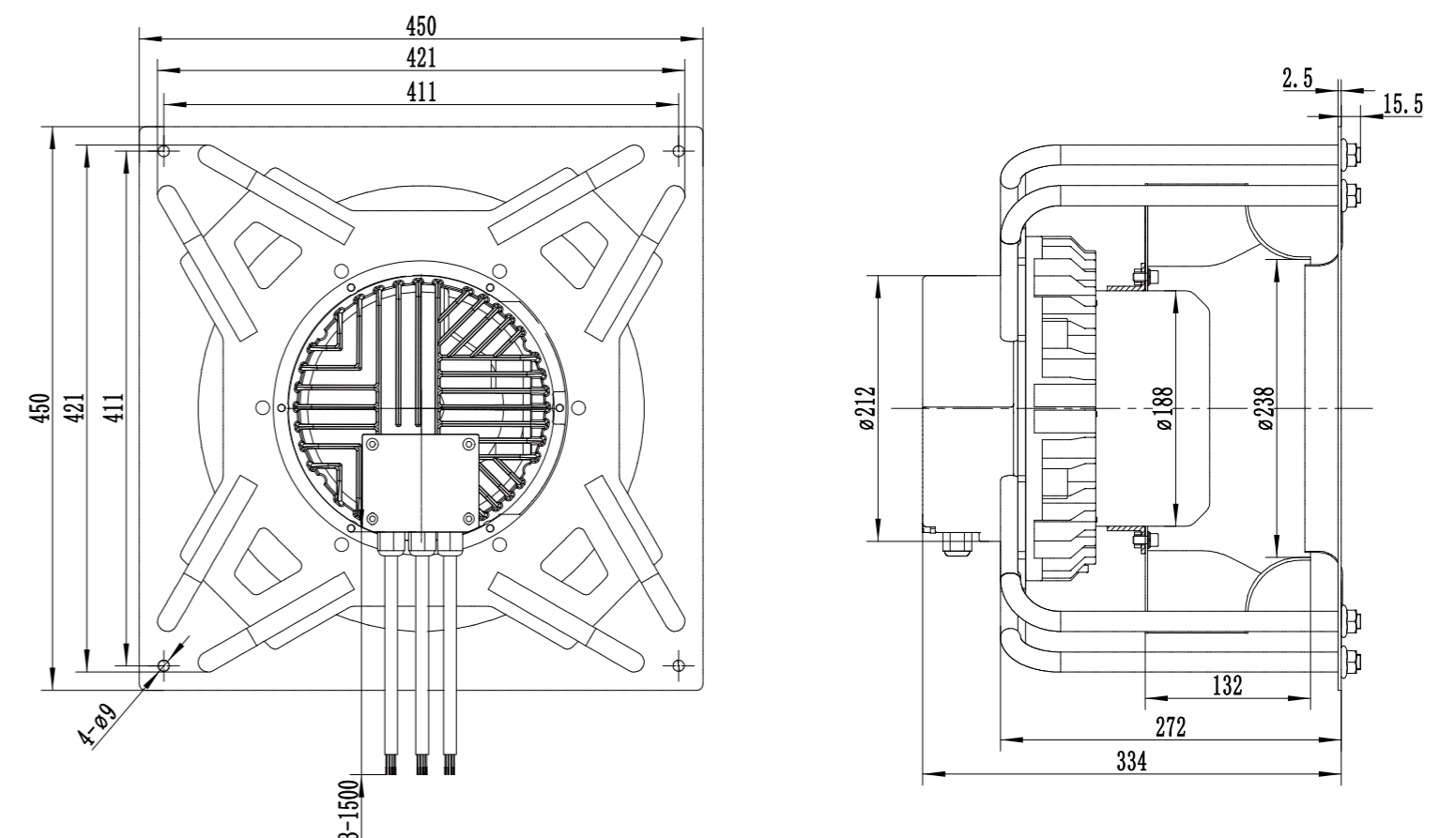
Technical Specifications

Model	Voltage (V)	Input Power (W)	Current (A)	Air Volume (m³/h)	Static Pressure (Pa)	Speed (RPM)	Noise [dB(A)]
LWBE3G355-188PT-26	380	3100	5.2	6756	2524	3800	96

LWBE3G355-188NT-29 (without bracket)



LWBE3G355-188PT-26 (with bracket)



LWBE-400 Series

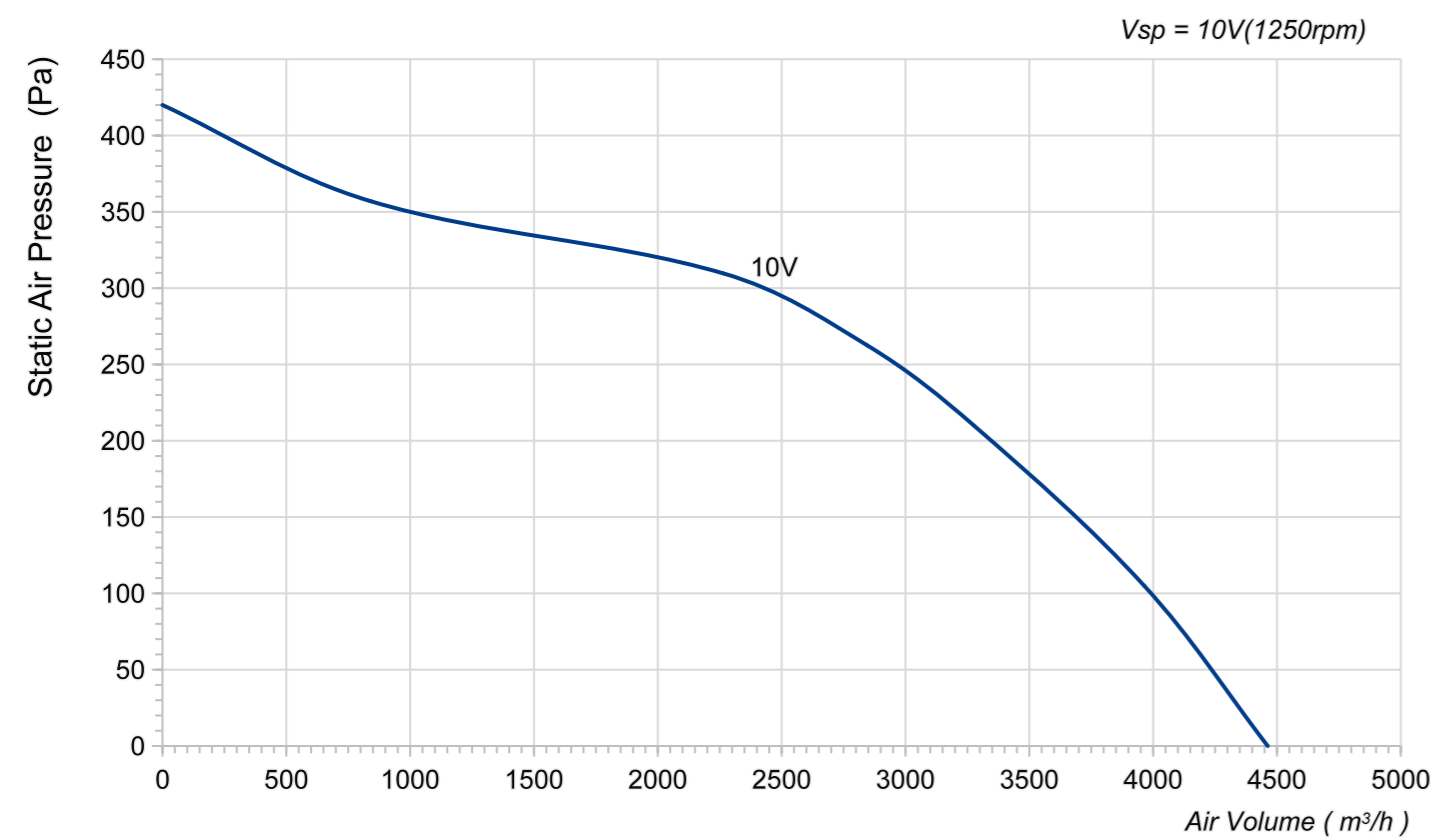
Product Characteristic

- Impeller Material: Aluminum Alloy
- Supply Voltage: 230V,50/60Hz
- Mode Of Operation: S1
- Protection Class: IP54
- Insulation Class: F
- Operation Temperature: -25°C ~ +60°C
- Technical Feature: Control input 0-10VDC/PWM, Tech output, Locked-Rotor protection, Reverse Polarity Over-voltage protection, Soft Start Protection.

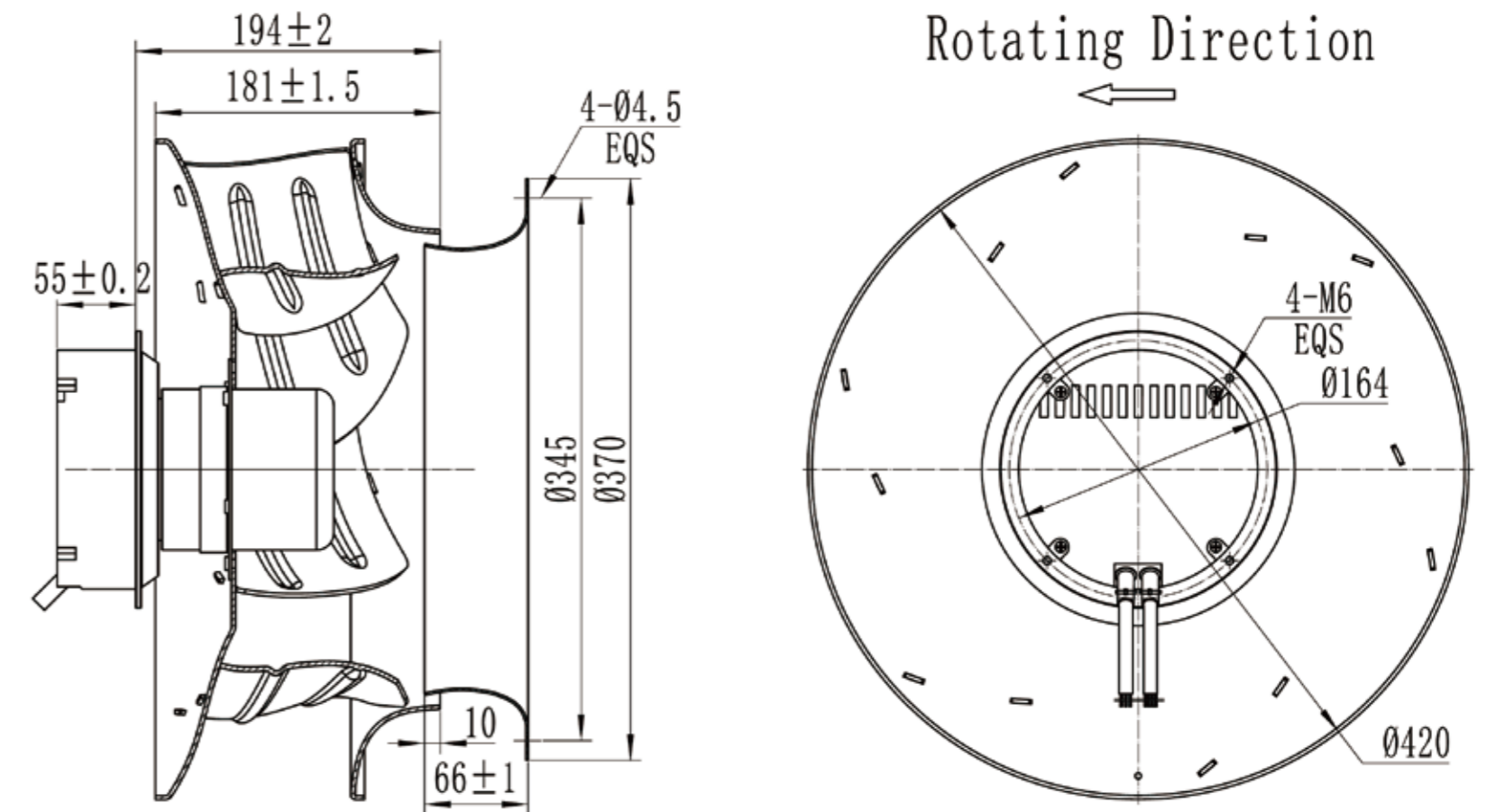


Technical Specifications

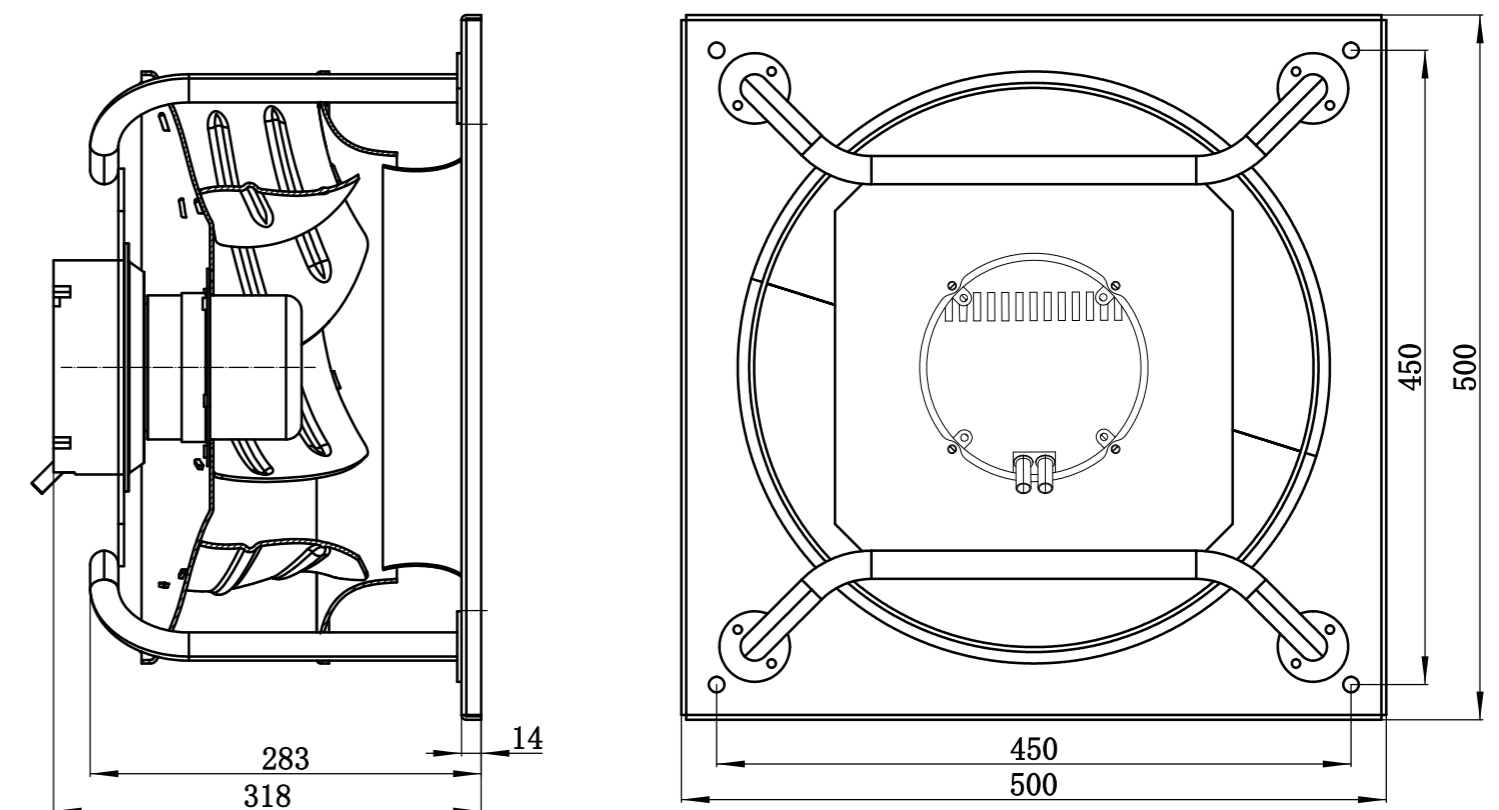
Model	Voltage (V)	Input Power (W)	Current (A)	Air Volume (m³/h)	Static Pressure (Pa)	Speed (RPM)	Noise [dB(A)]
LWBE3G400-102PS-09	230	297	/	4463	420	1250	/



LWBE3G400-102NS-14 (without bracket)



LWBE3G400-102PS-09 (with bracket)



LWBE-400 Series

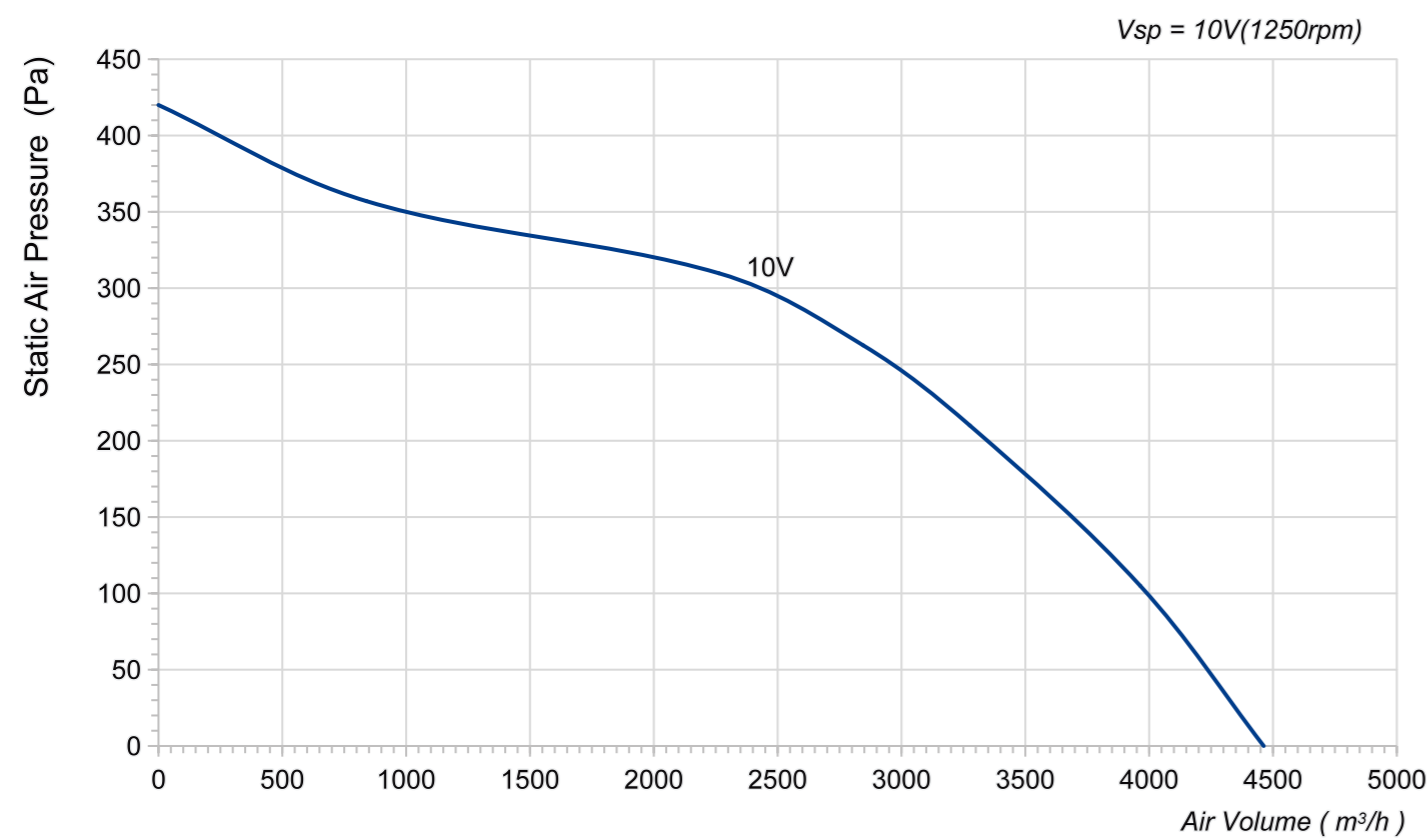
Product Characteristic

- Impeller Material: Aluminum Alloy
- Supply Voltage: 230V,50/60Hz
- Mode Of Operation: S1
- Protection Class: IP54
- Insulation Class: F
- Operation Temperature: -25°C ~ +60°C
- Technical Feature: Control input 0-10VDC/PWM, Tech output, Locked-Rotor protection, Reverse Polarity Over-voltage protection, Soft Start Protection.

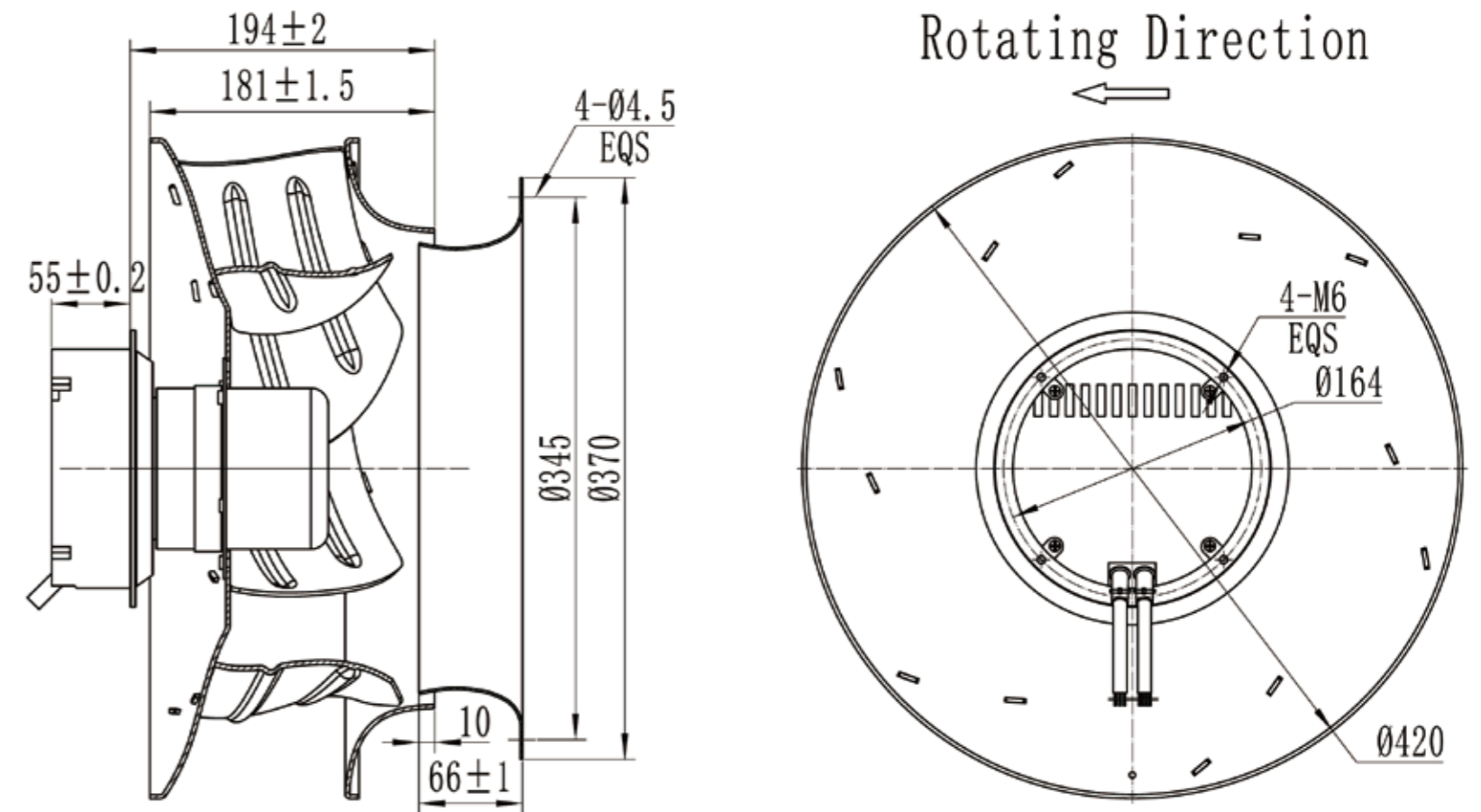


Technical Specifications

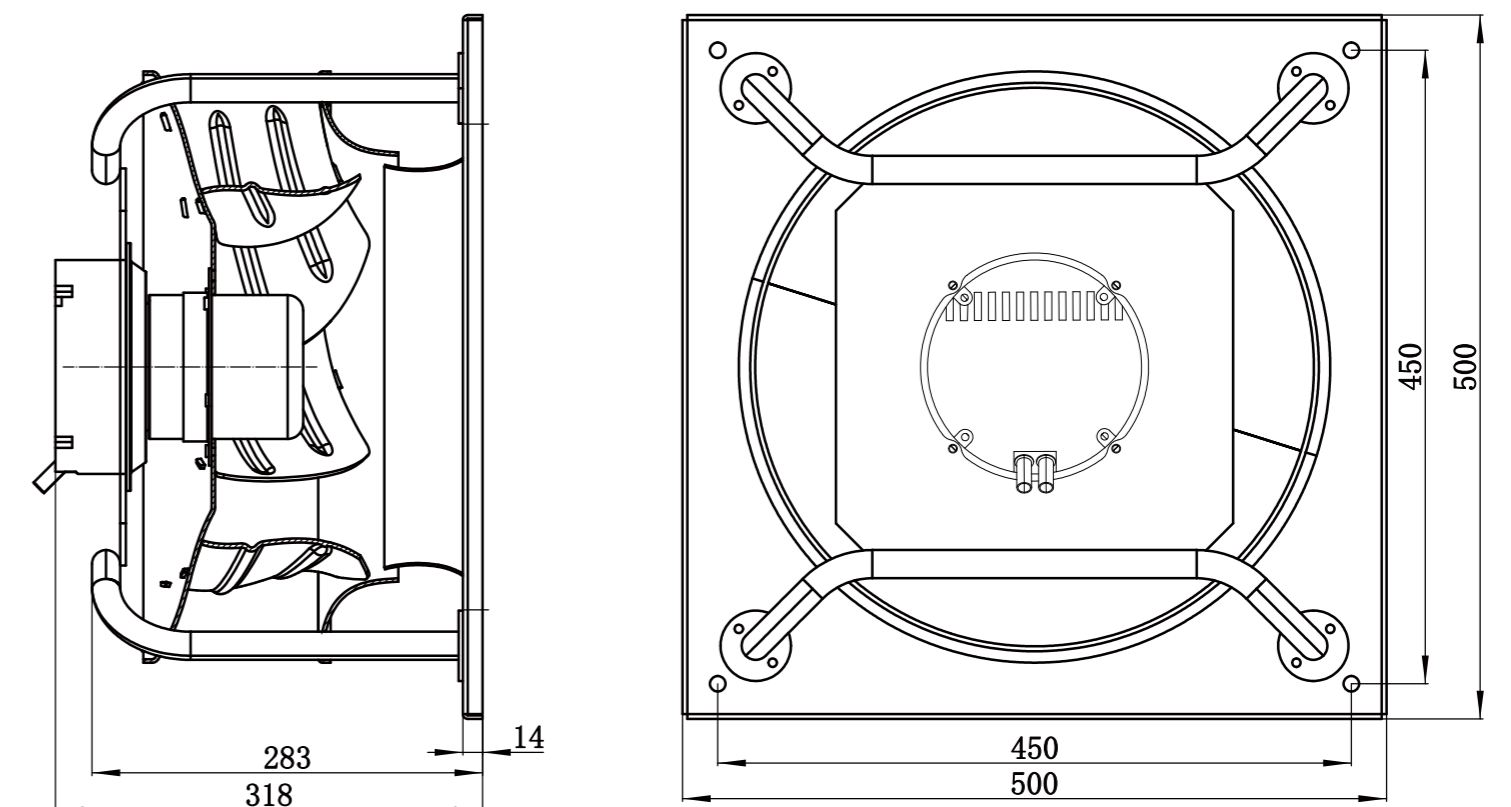
Model	Voltage (V)	Input Power (W)	Current (A)	Air Volume (m³/h)	Static Pressure (Pa)	Speed (RPM)	Noise [dB(A)]
LWBE3G400-102PS-10	230	488	/	5476	600	1520	/



LWBE3G400-102NS-15 (without bracket)



LWBE3G400-102PS-10 (with bracket)



LWBE-400 Series

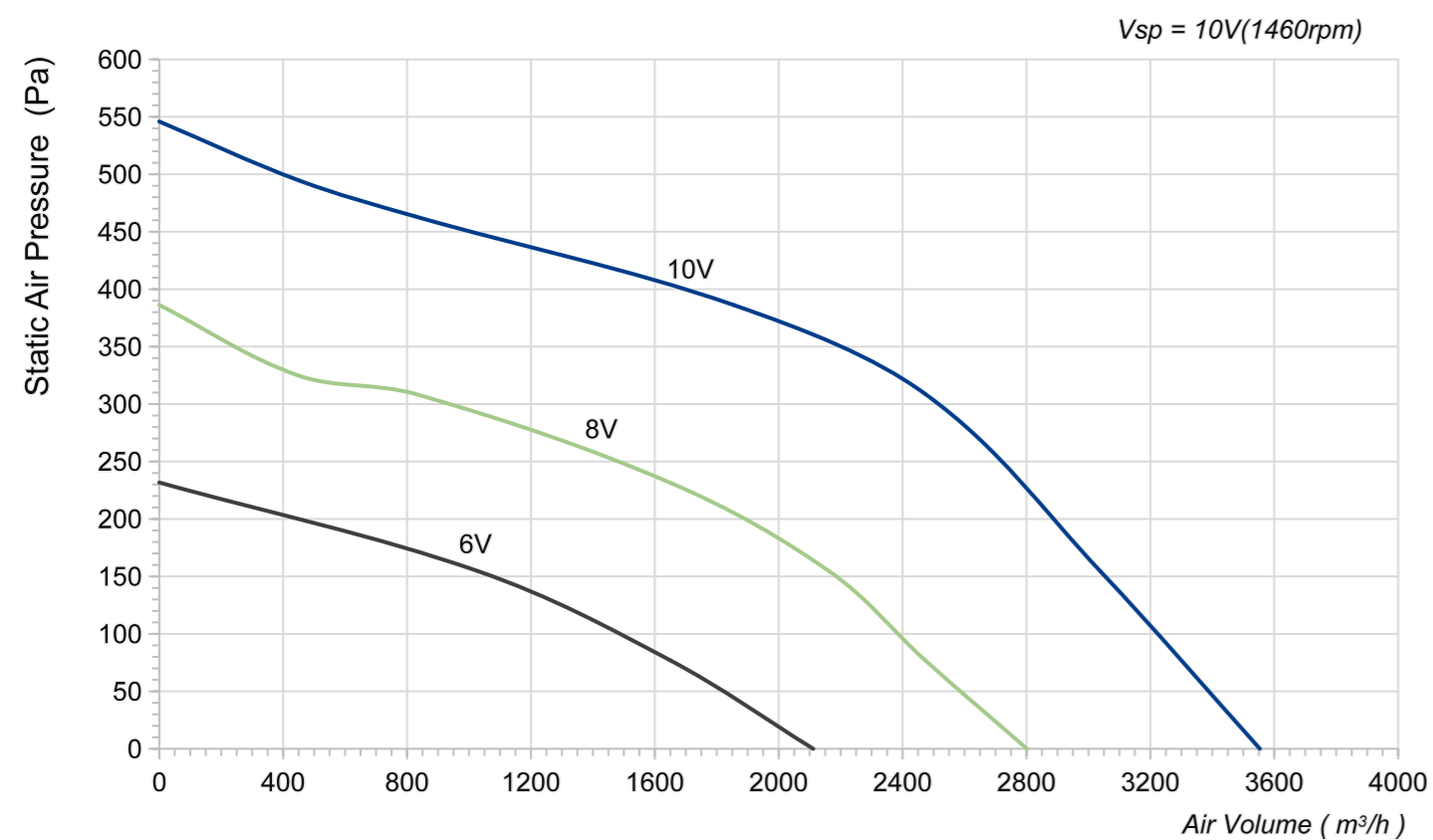
Product Characteristic

- Impeller Material: Aluminum Alloy
- Supply Voltage: 230V,50/60Hz
- Mode Of Operation: S1
- Protection Class: IP44
- Insulation Class: F
- Operation Temperature: -25°C ~ +60°C
- Technical Feature: Control input 0-10VDC/PWM, Tech output, Locked-Rotor protection, Reverse Polarity Over-voltage protection, Soft Start Protection.

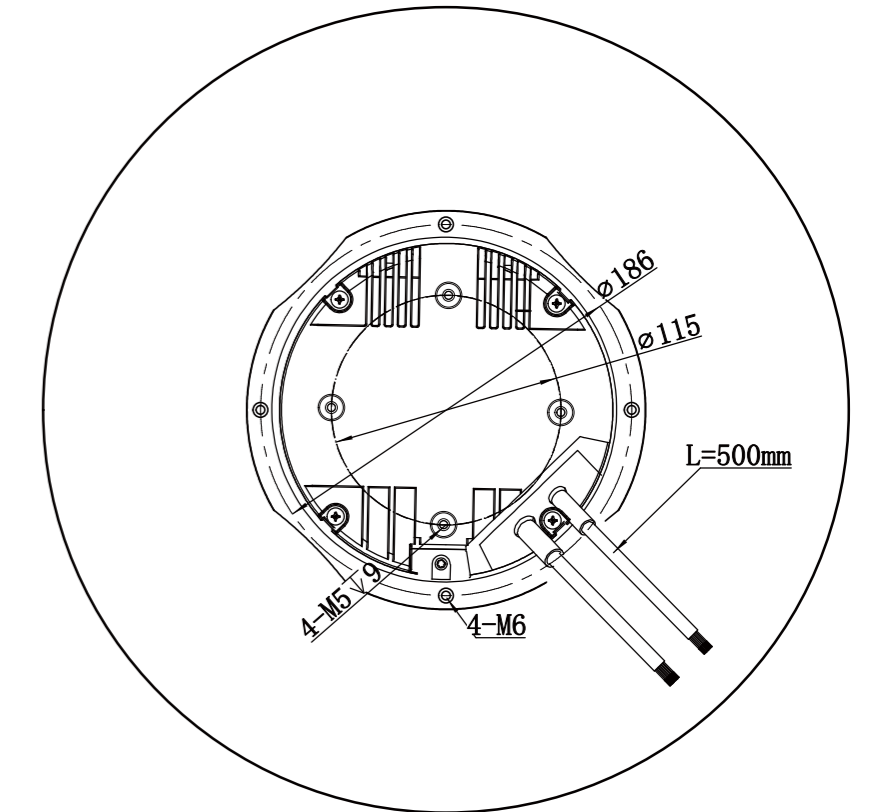
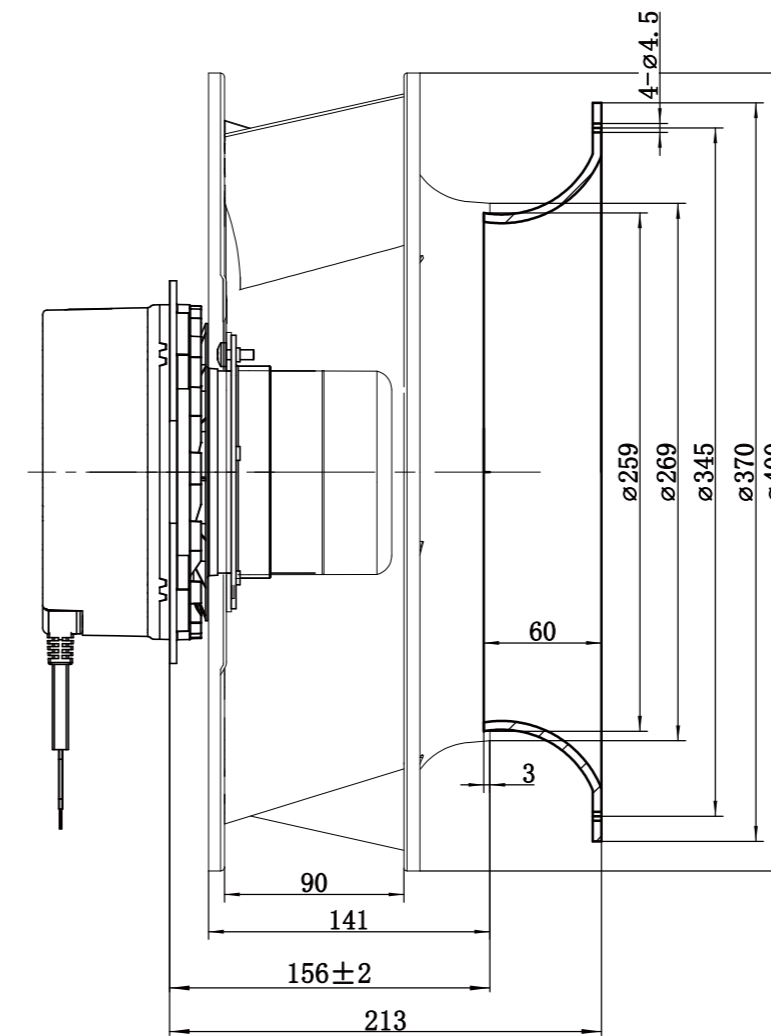


Technical Specifications

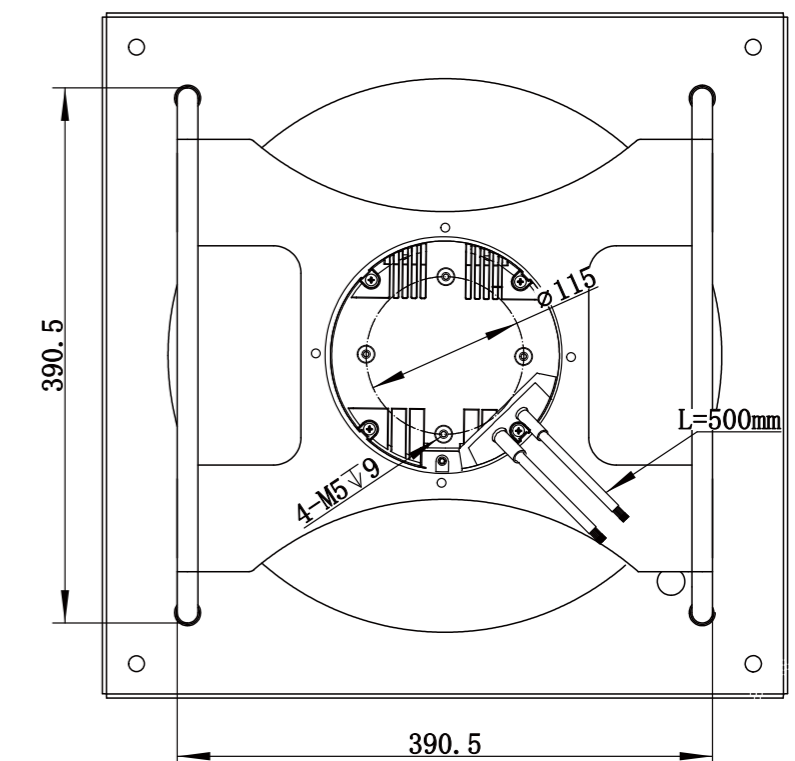
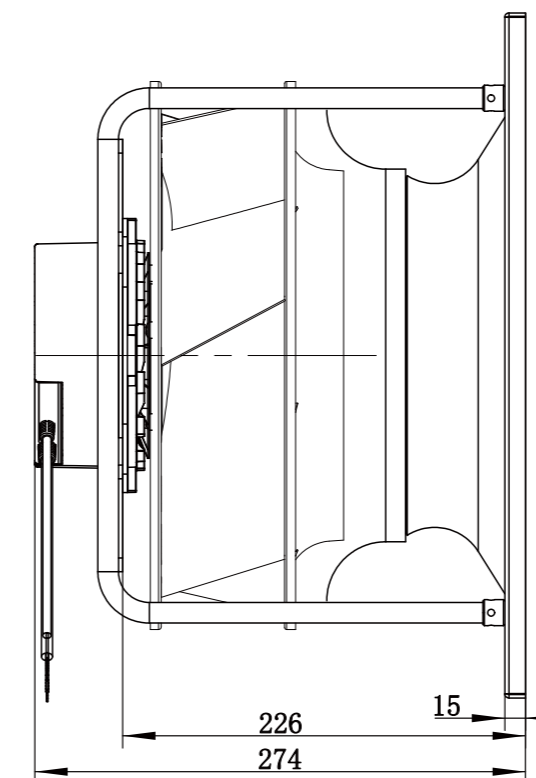
Model	Voltage (V)	Input Power (W)	Current (A)	Air Volume (m³/h)	Static Pressure (Pa)	Speed (RPM)	Noise [dB(A)]
LWBE3G400-102PS-11	230	300	2.1	3554	546	1460	76



LWBE3G400-102NS-16 (without bracket)



LWBE3G400-102PS-11 (with bracket)



LWBE-400 Series



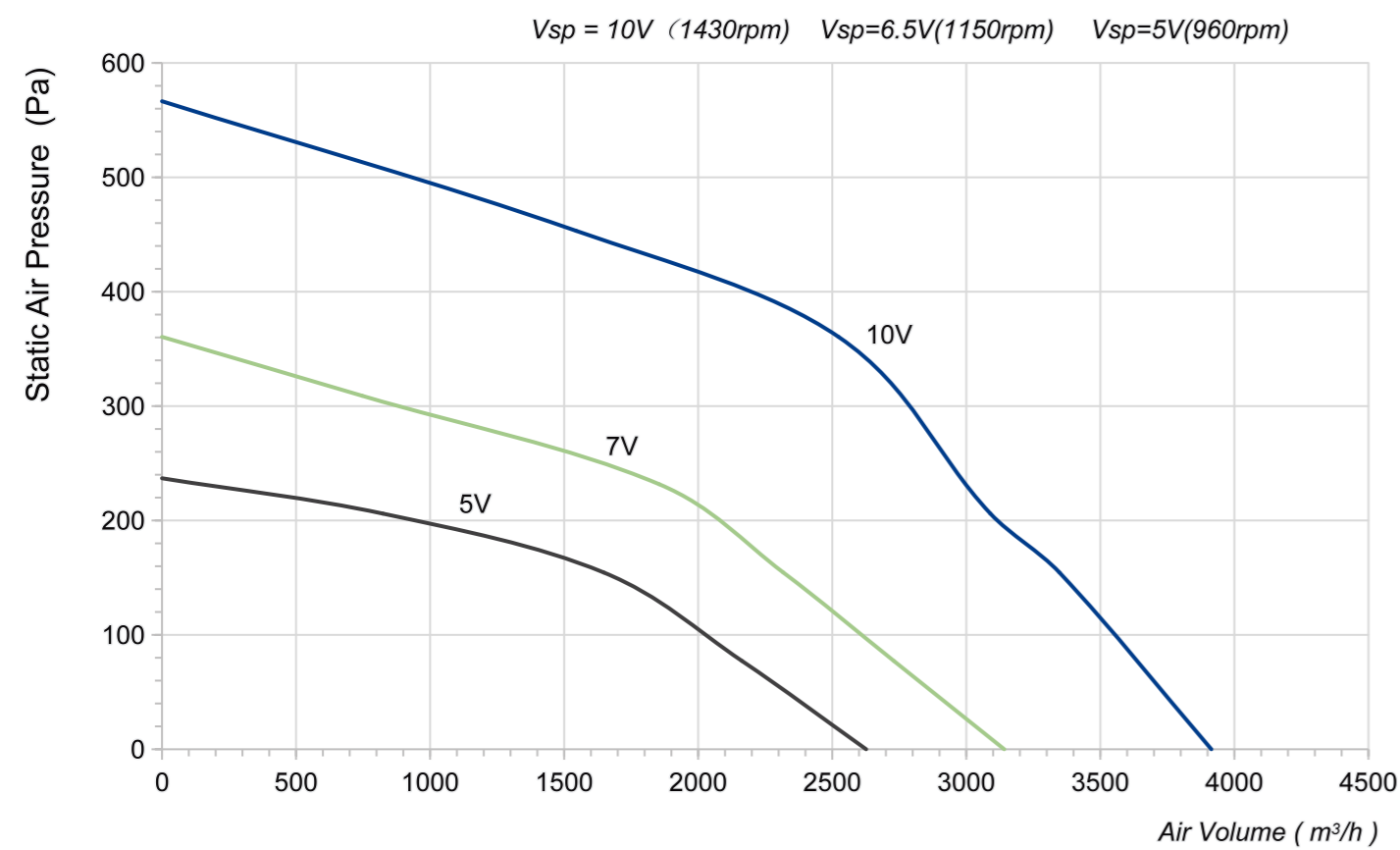
Product Characteristic

- Impeller Material: Aluminum Alloy
- Supply Voltage: 230V,50/60Hz
- Mode Of Operation: S1
- Protection Class: IP54
- Insulation Class: B
- Operation Temperature: -25°C ~ +60°C
- Technical Feature: Control input 0-10VDC/PWM, Tech output, Locked-Rotor protection, Reverse Polarity Over-voltage protection, Soft Start Protection.

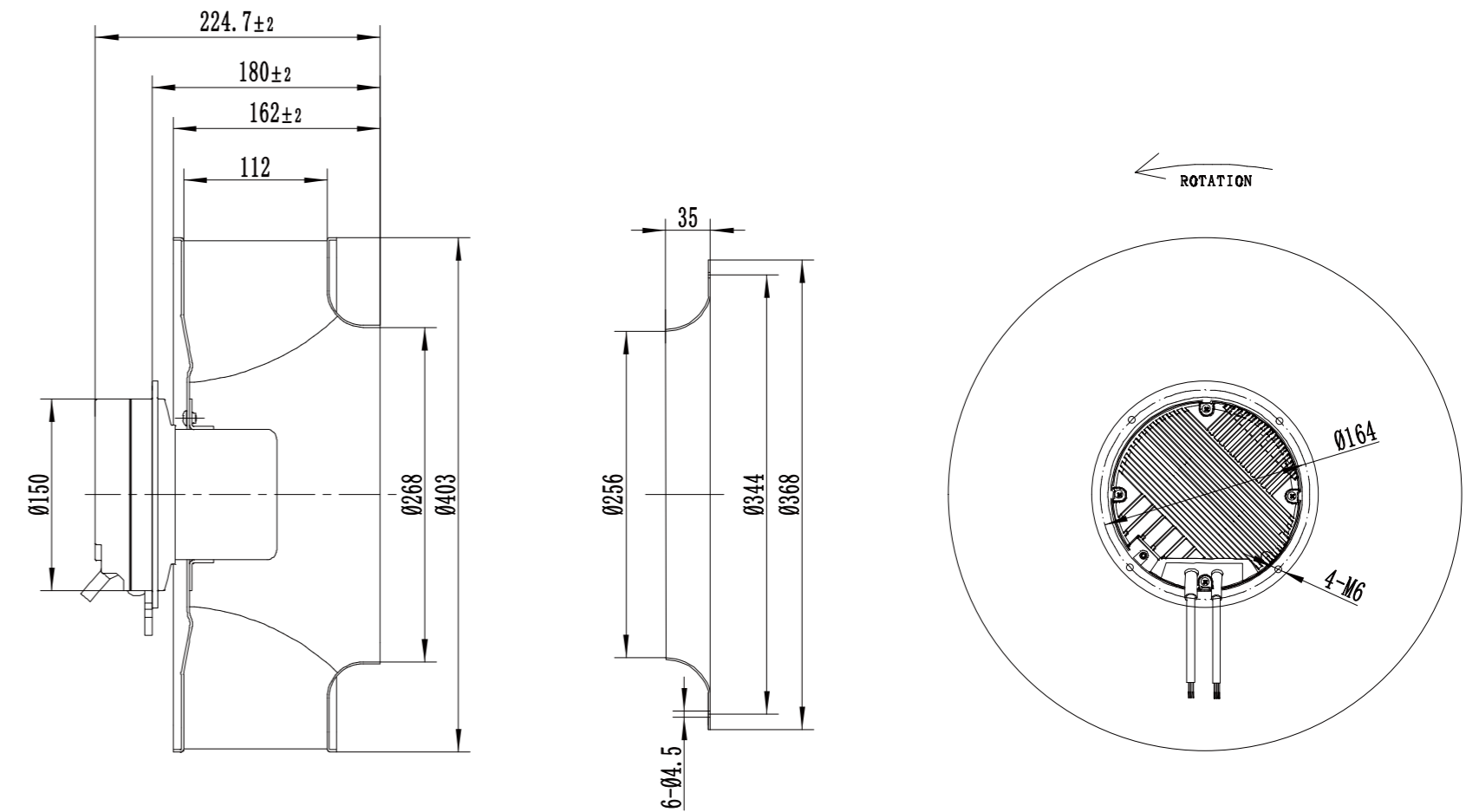


Technical Specifications

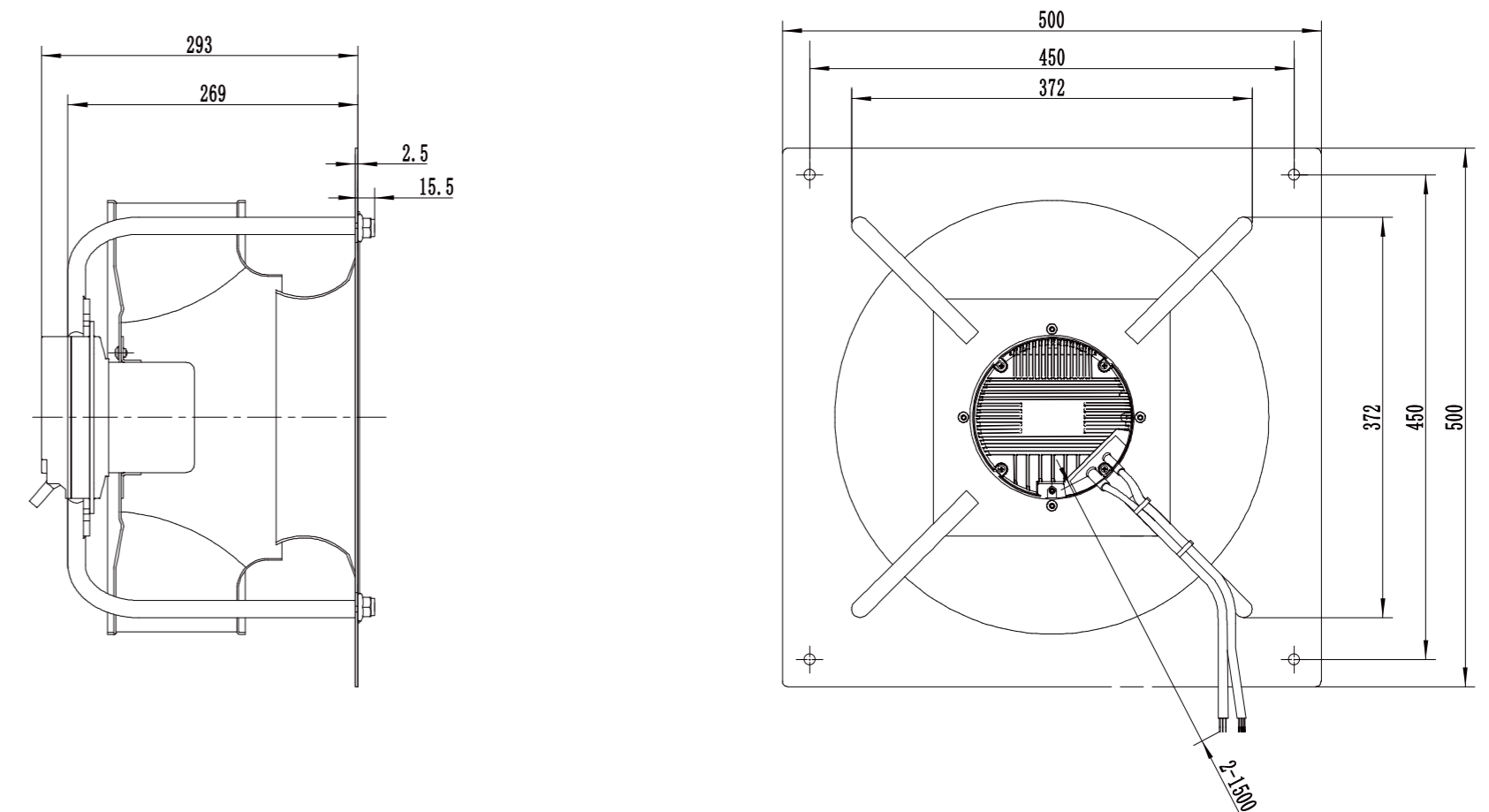
Model	Voltage (V)	Input Power (W)	Current (A)	Air Volume (m³/h)	Static Pressure (Pa)	Speed (RPM)	Noise [dB(A)]
LWBE3G400-102PS-01	230	330	1.5	3914	556	1430	70



LWBE3G400-102NS-02 (without bracket)



LWBE3G400-102PS-01 (with bracket)



LWBE-400 Series

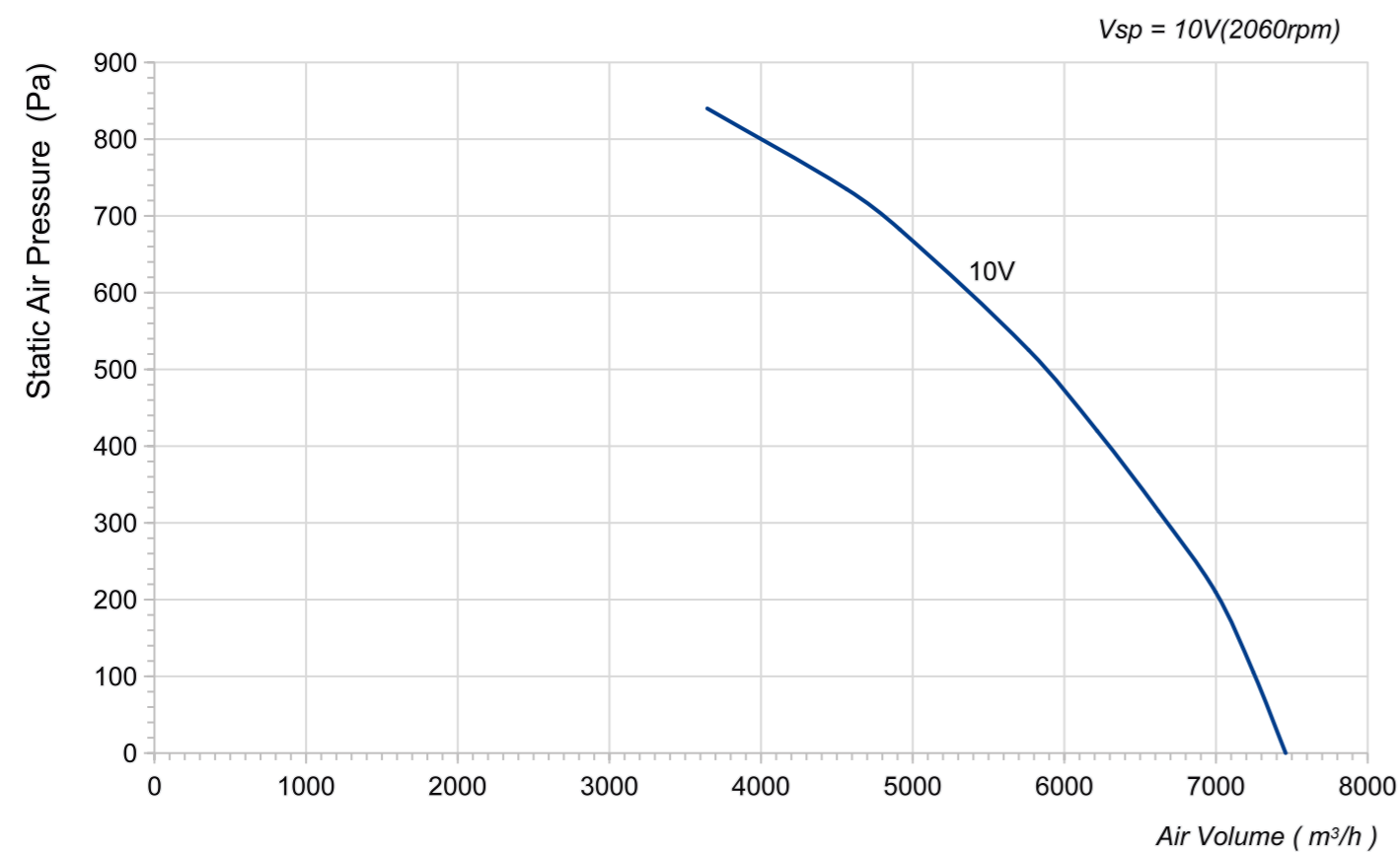
Product Characteristic

- Impeller Material: Aluminum Alloy
- Supply Voltage: 400V,50/60Hz
- Mode Of Operation: S1
- Protection Class: IP54
- Insulation Class: F
- Operation Temperature: -25°C ~ +60°C
- Technical Feature: Control input 0-10VDC/PWM, Tech output, Locked-Rotor protection, Reverse Polarity Over-voltage protection, Soft Start Protection.

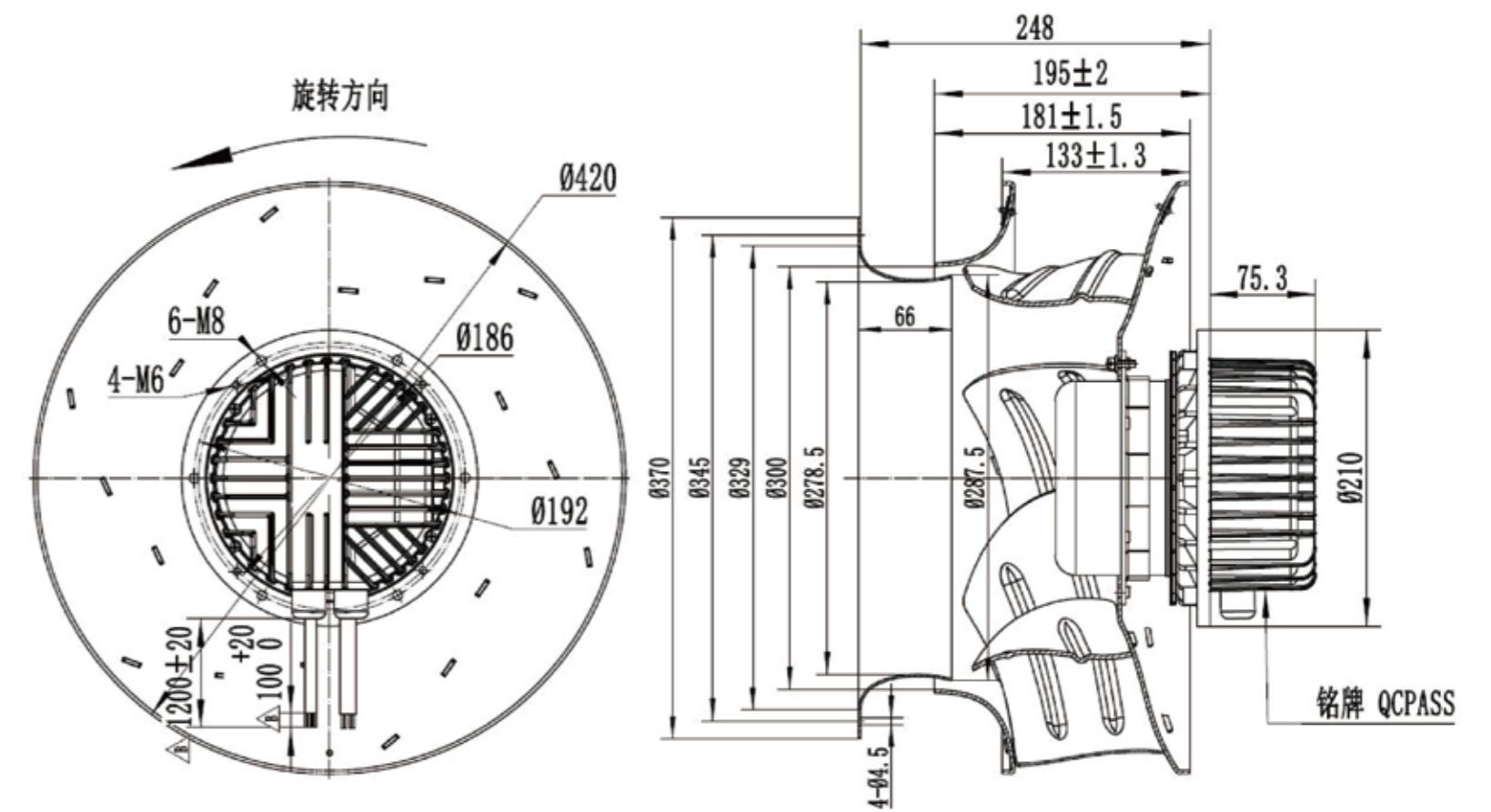


Technical Specifications

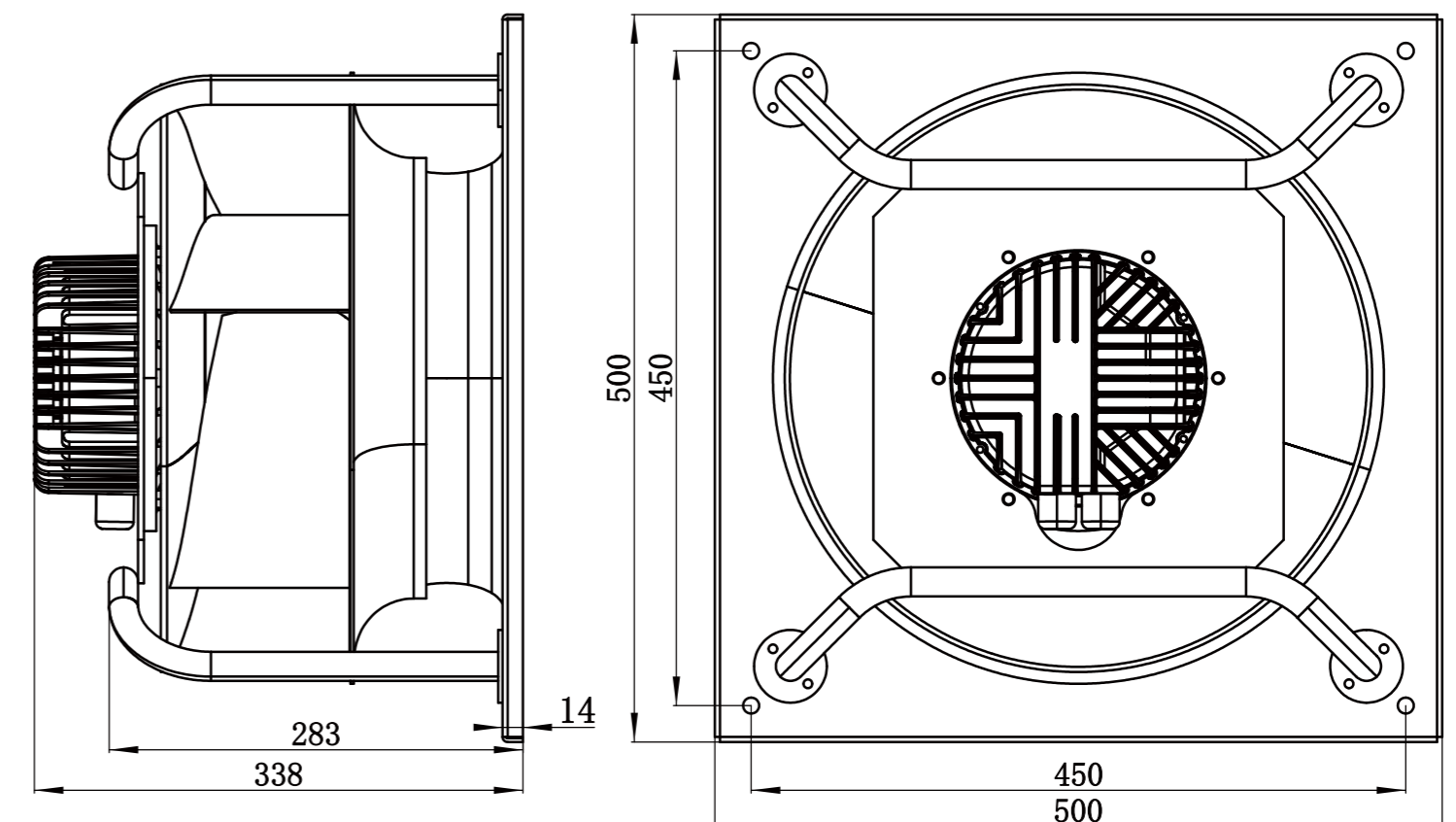
Model	Voltage (V)	Input Power (W)	Current (A)	Air Volume (m³/h)	Static Pressure (Pa)	Speed (RPM)	Noise [dB(A)]
LWBE3G400-138PT-04	400	1480	3.3	7459	840	2060	/



LWBE3G400-138NT-12 (without bracket)



LWBE3G400-138PT-04 (with bracket)



LWBE-400 Series

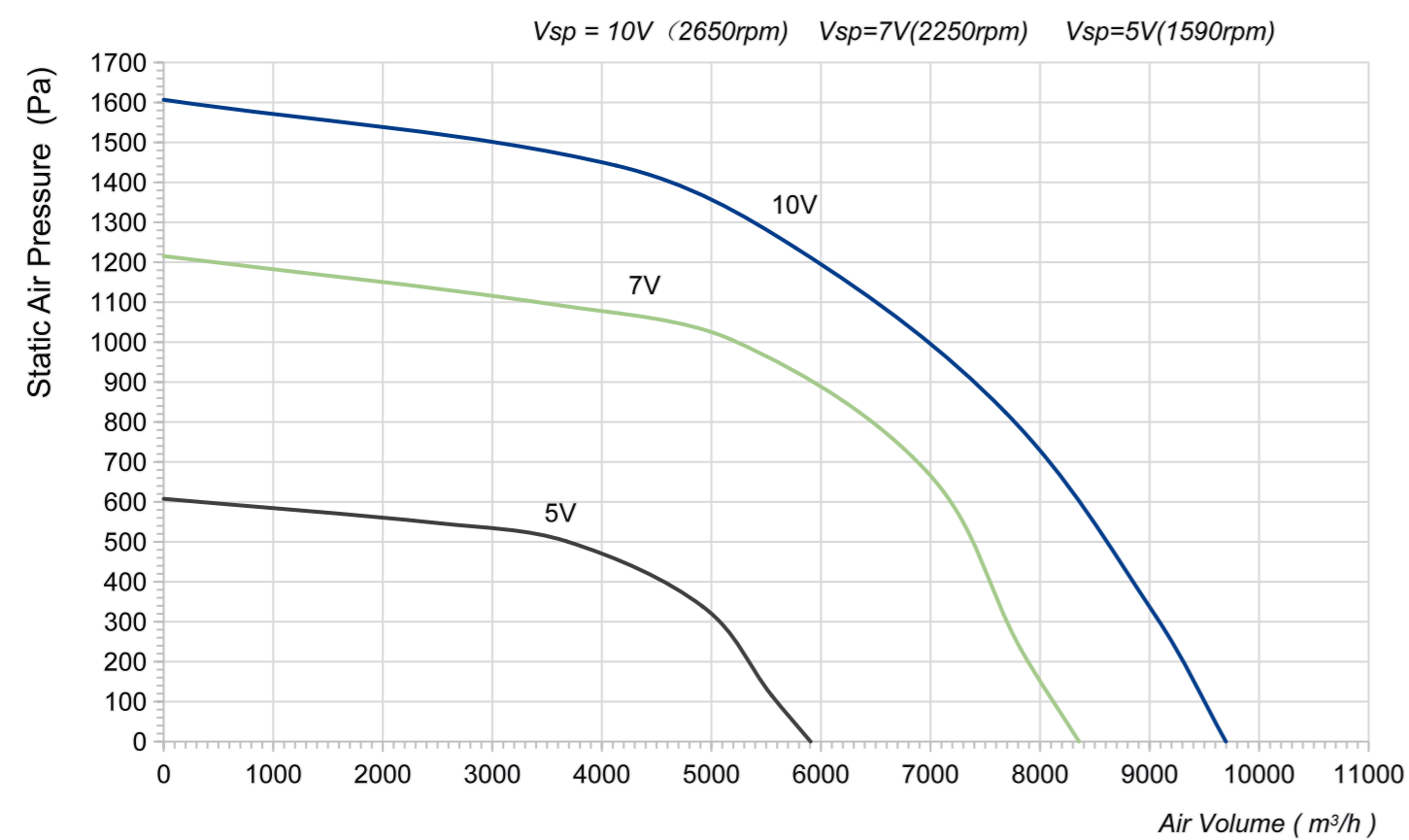
Product Characteristic

- Impeller Material: Aluminum Alloy
- Supply Voltage: 400V,50/60Hz
- Mode Of Operation: S1
- Protection Class: IP54
- Insulation Class: F
- Operation Temperature: -25°C ~ +60°C
- Technical Feature: Control input 0-10VDC/PWM, Tech output, Locked-Rotor protection, Reverse Polarity Over-voltage protection, Soft Start Protection.

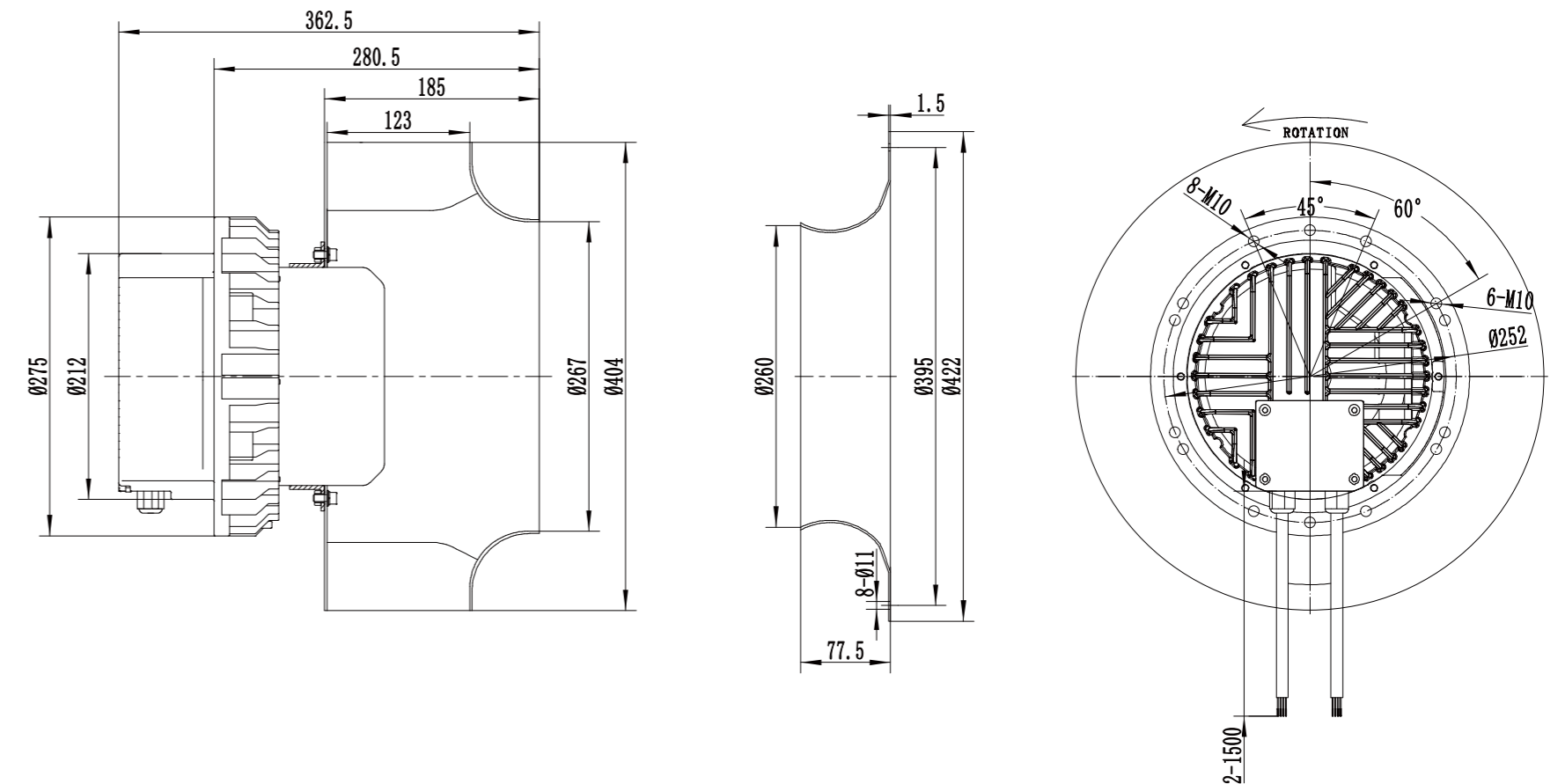


Technical Specifications

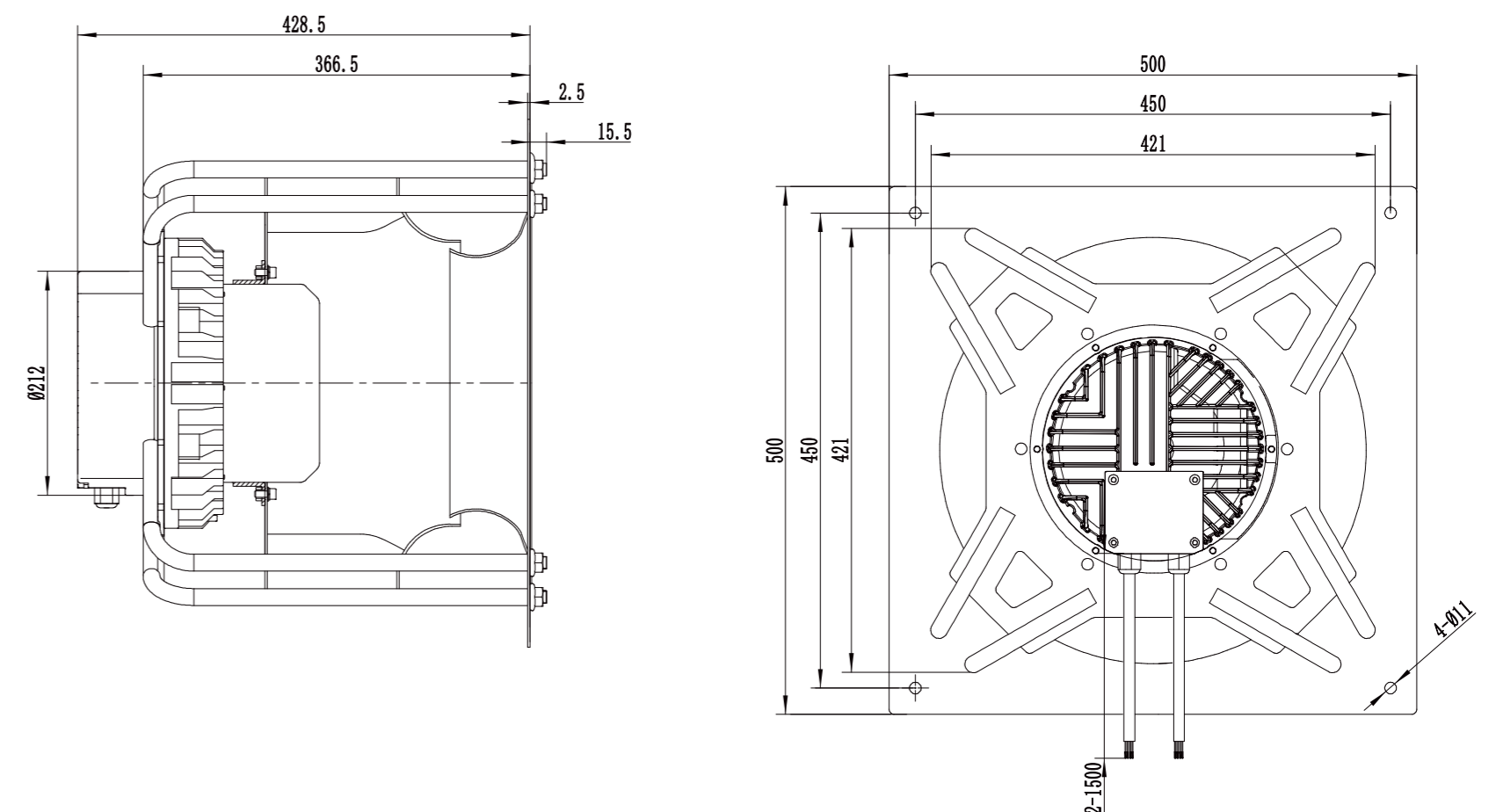
Model	Voltage (V)	Input Power (W)	Current (A)	Air Volume (m³/h)	Static Pressure (Pa)	Speed (RPM)	Noise [dB(A)]
LWBE3G400-188PT-07	400	3310	4.2	9682	1627	2650	84



LWBE3G400-188NT-17 (without bracket)



LWBE3G400-188PT-07 (with bracket)



LWBE-450 Series



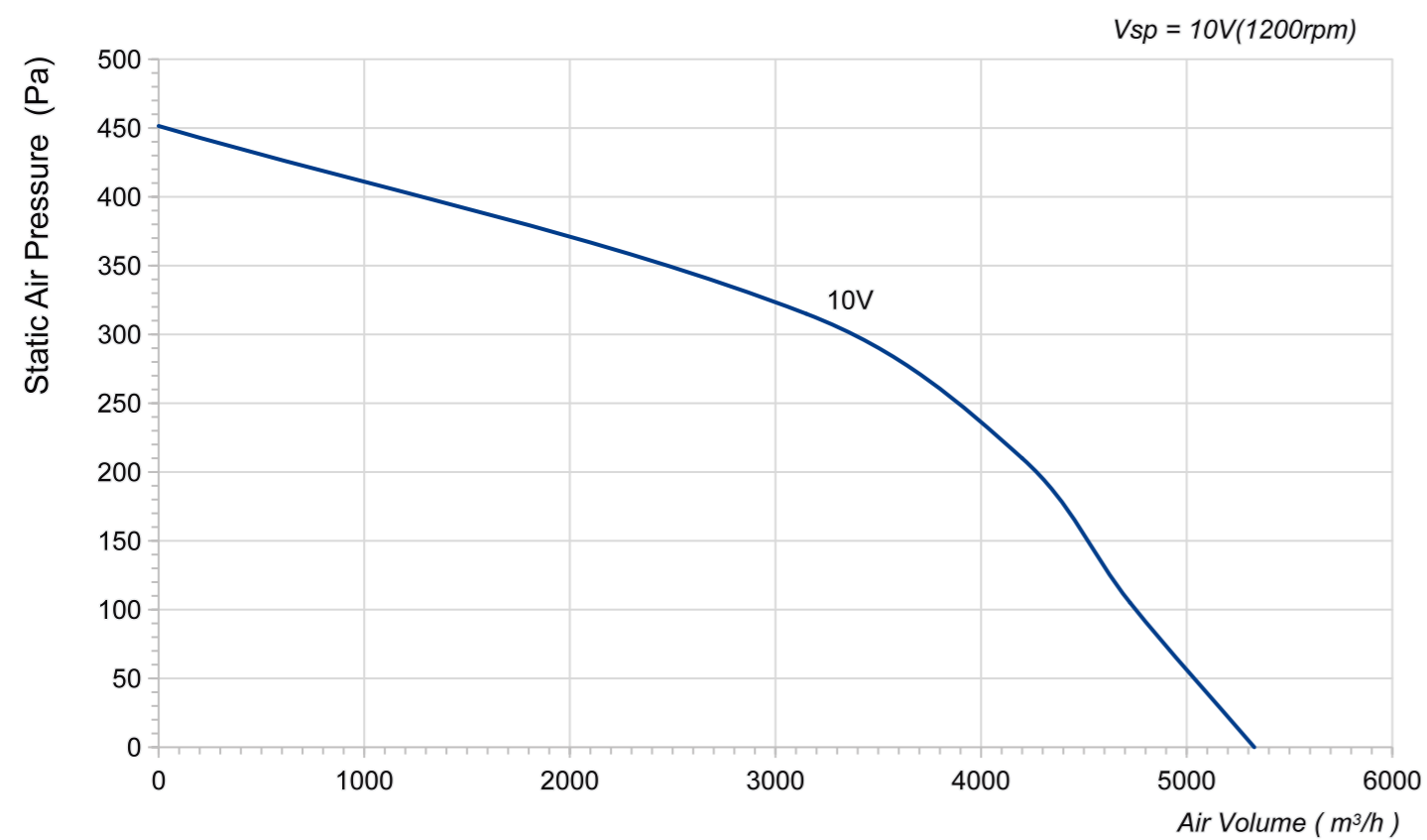
Product Characteristic

- Impeller Material: Aluminum Alloy
- Supply Voltage: 400V,50/60Hz
- Mode Of Operation: S1
- Protection Class: IP54
- Insulation Class: F
- Operation Temperature: -25°C ~ +60°C
- Technical Feature: Control input 0-10VDC/PWM, Tech output, Locked-Rotor protection, Reverse Polarity Over-voltage protection, Soft Start Protection.

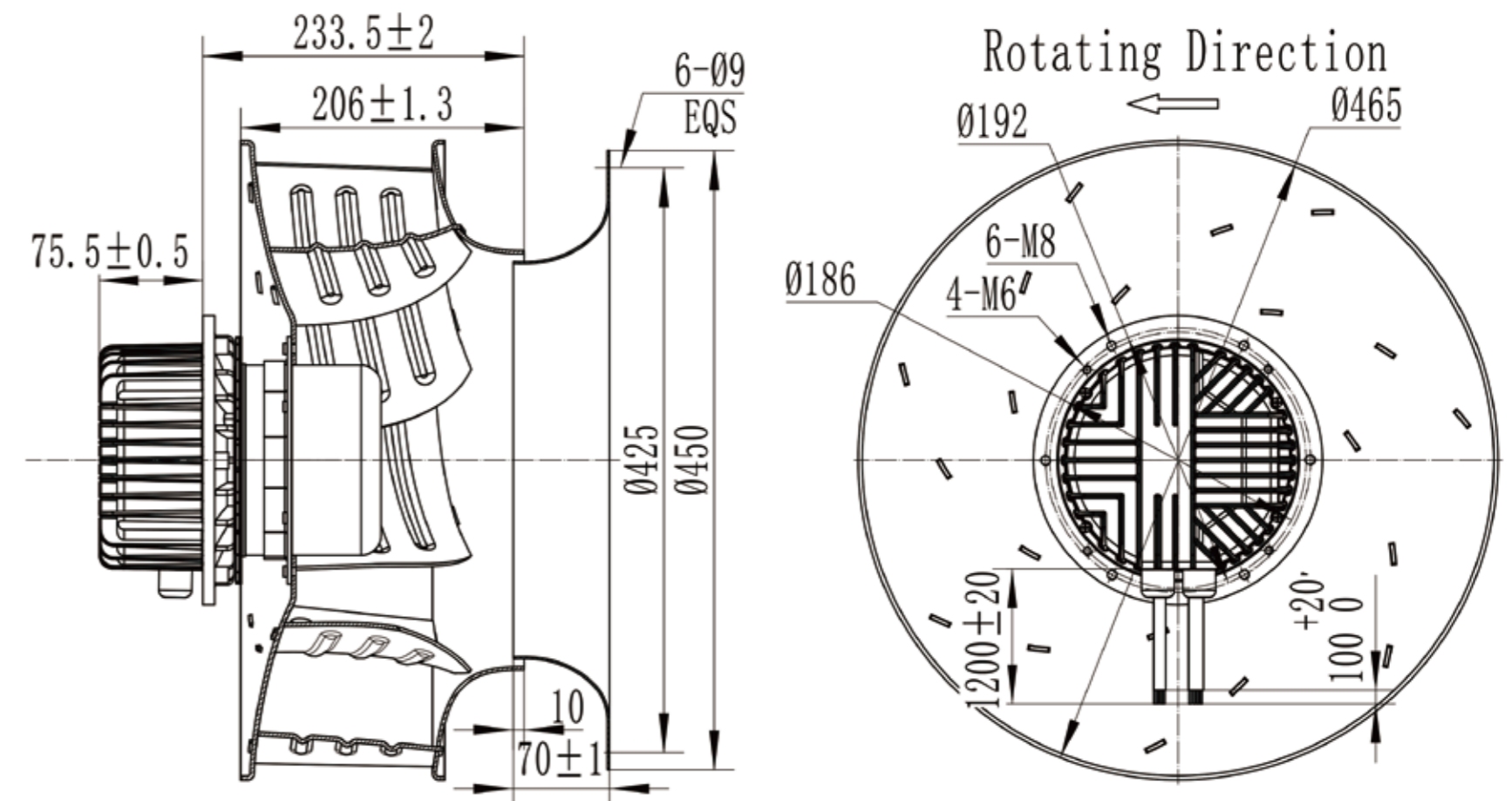


Technical Specifications

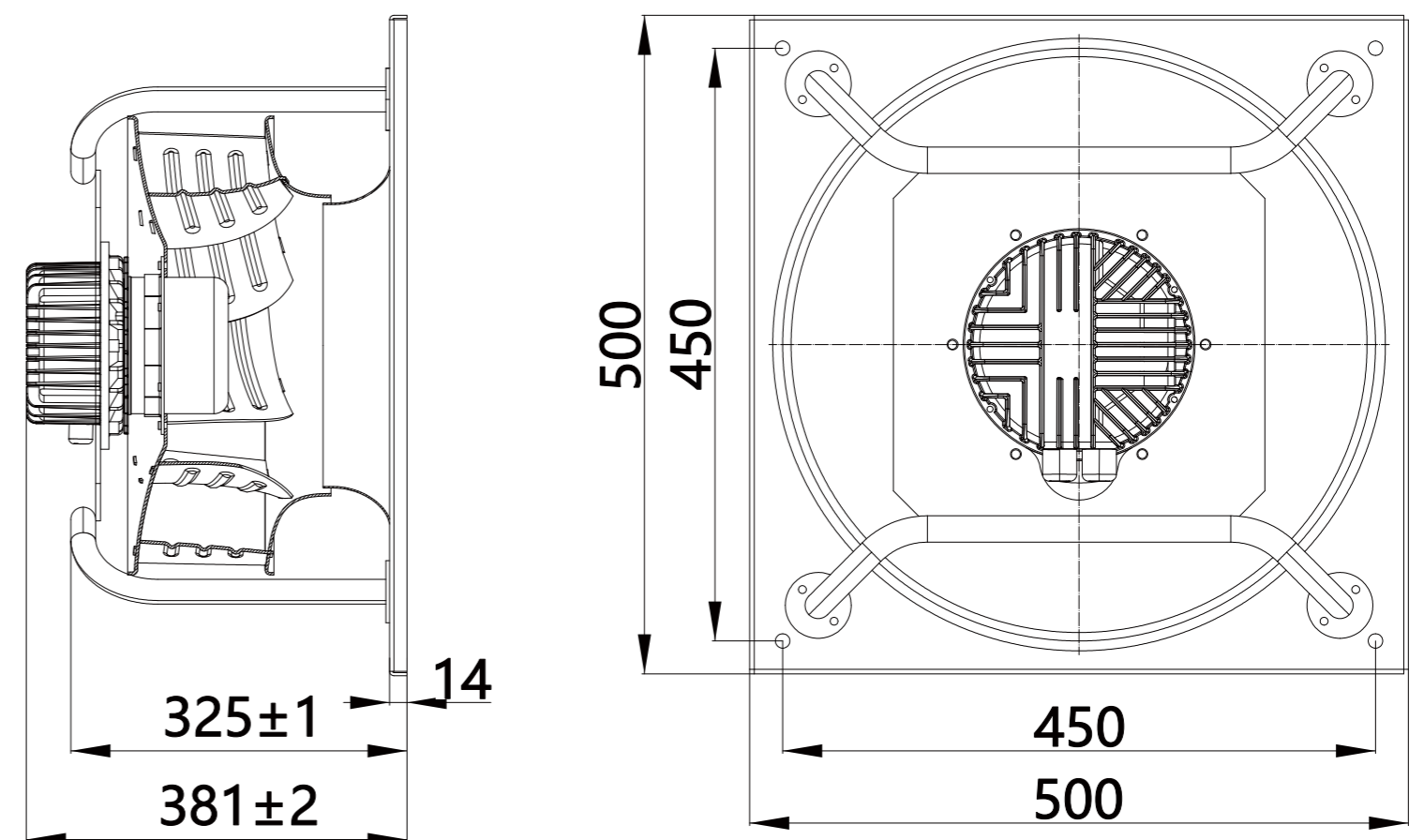
Model	Voltage (V)	Input Power (W)	Current (A)	Air Volume (m³/h)	Static Pressure (Pa)	Speed (RPM)	Noise [dB(A)]
LWBE3G450-138PT-12	400	386	/	5329	452	1200	/



LWBE3G450-138NT-11 (without bracket)



LWBE3G450-138PT-12 (with bracket)



LWBE-450 Series

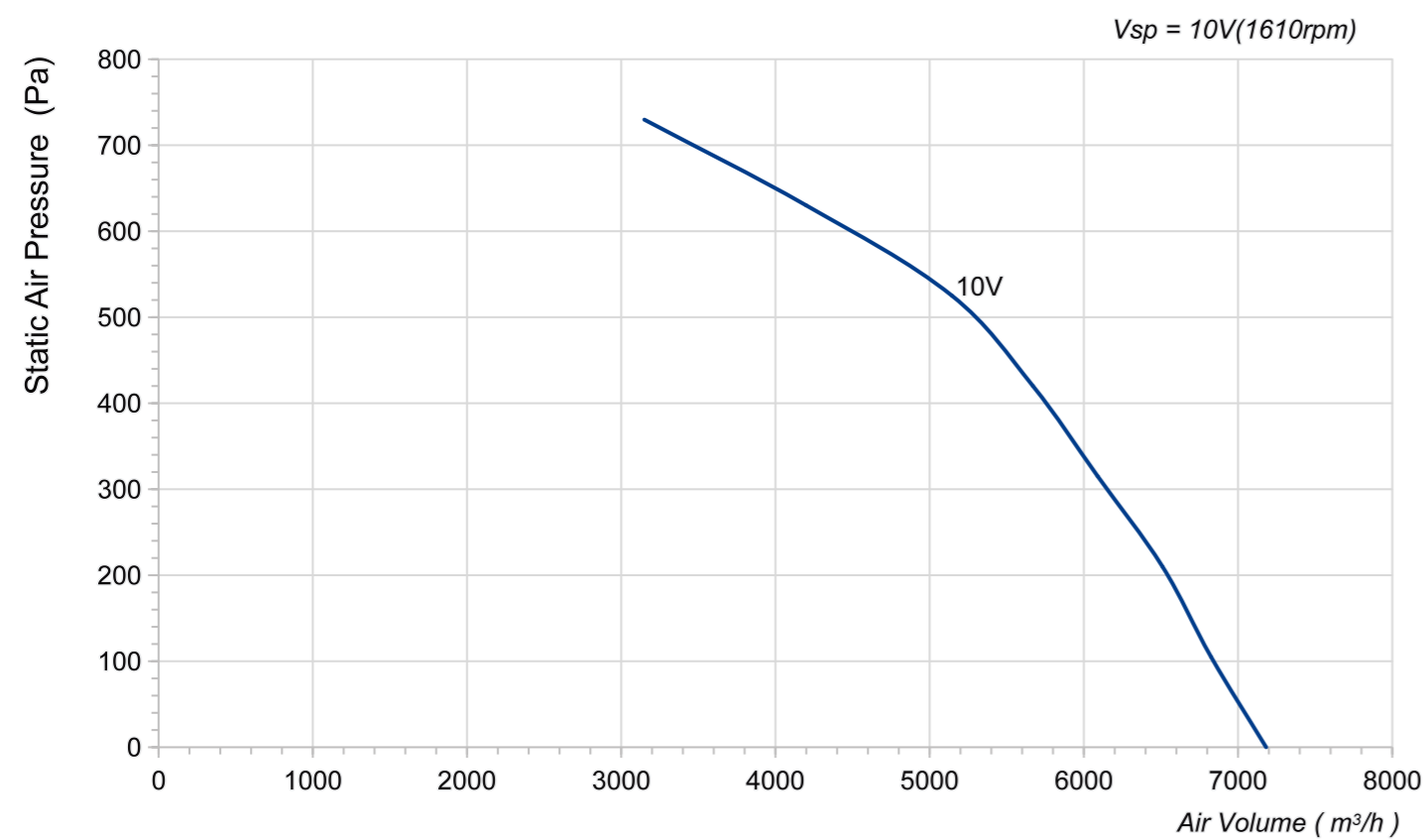
Product Characteristic

- Impeller Material: Aluminum Alloy
- Supply Voltage: 400V,50/60Hz
- Mode Of Operation: S1
- Protection Class: IP54
- Insulation Class: F
- Operation Temperature: -25°C ~ +60°C
- Technical Feature: Control input 0-10VDC/PWM, Tech output, Locked-Rotor protection, Reverse Polarity Over-voltage protection, Soft Start Protection.

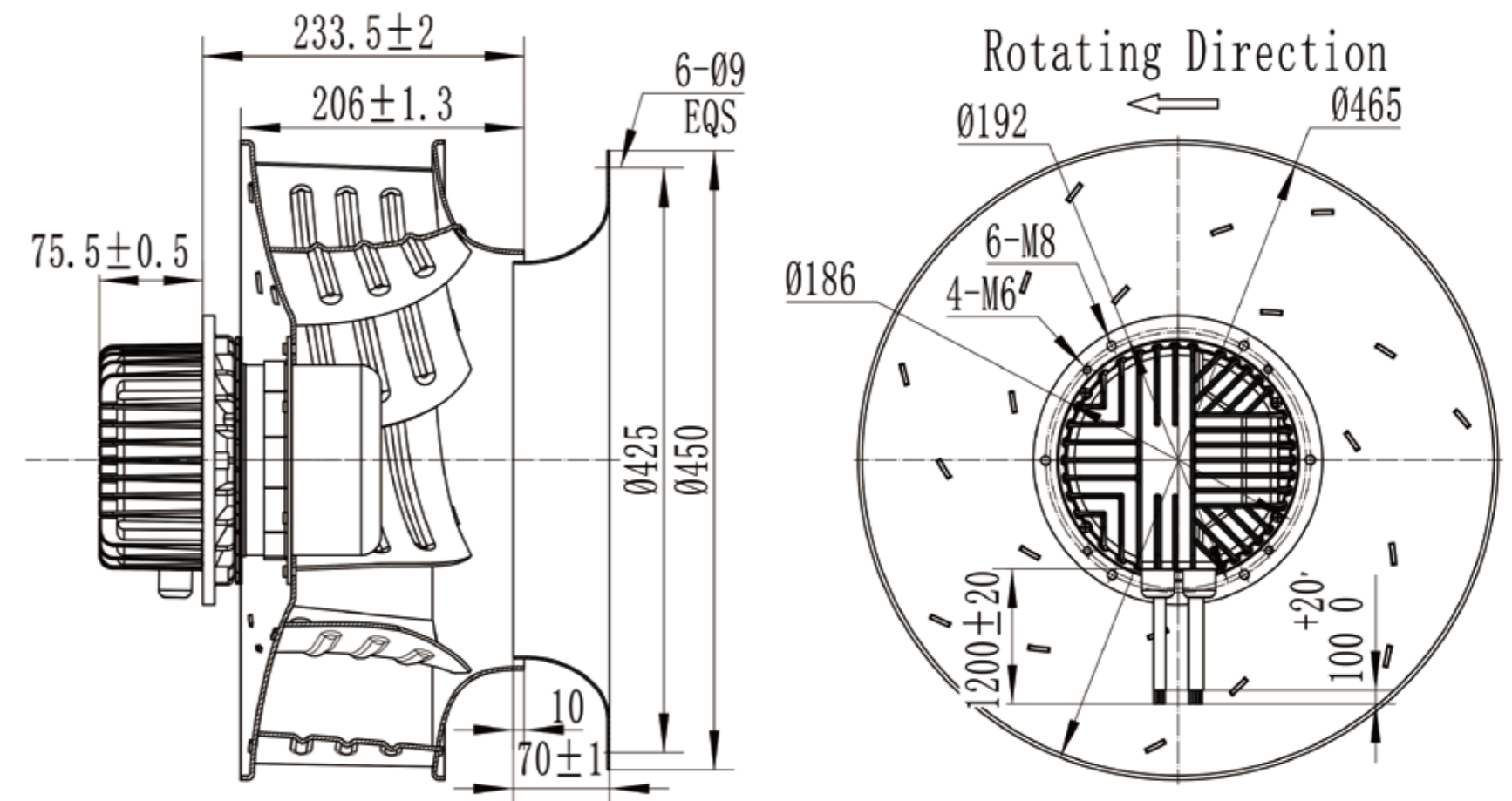


Technical Specifications

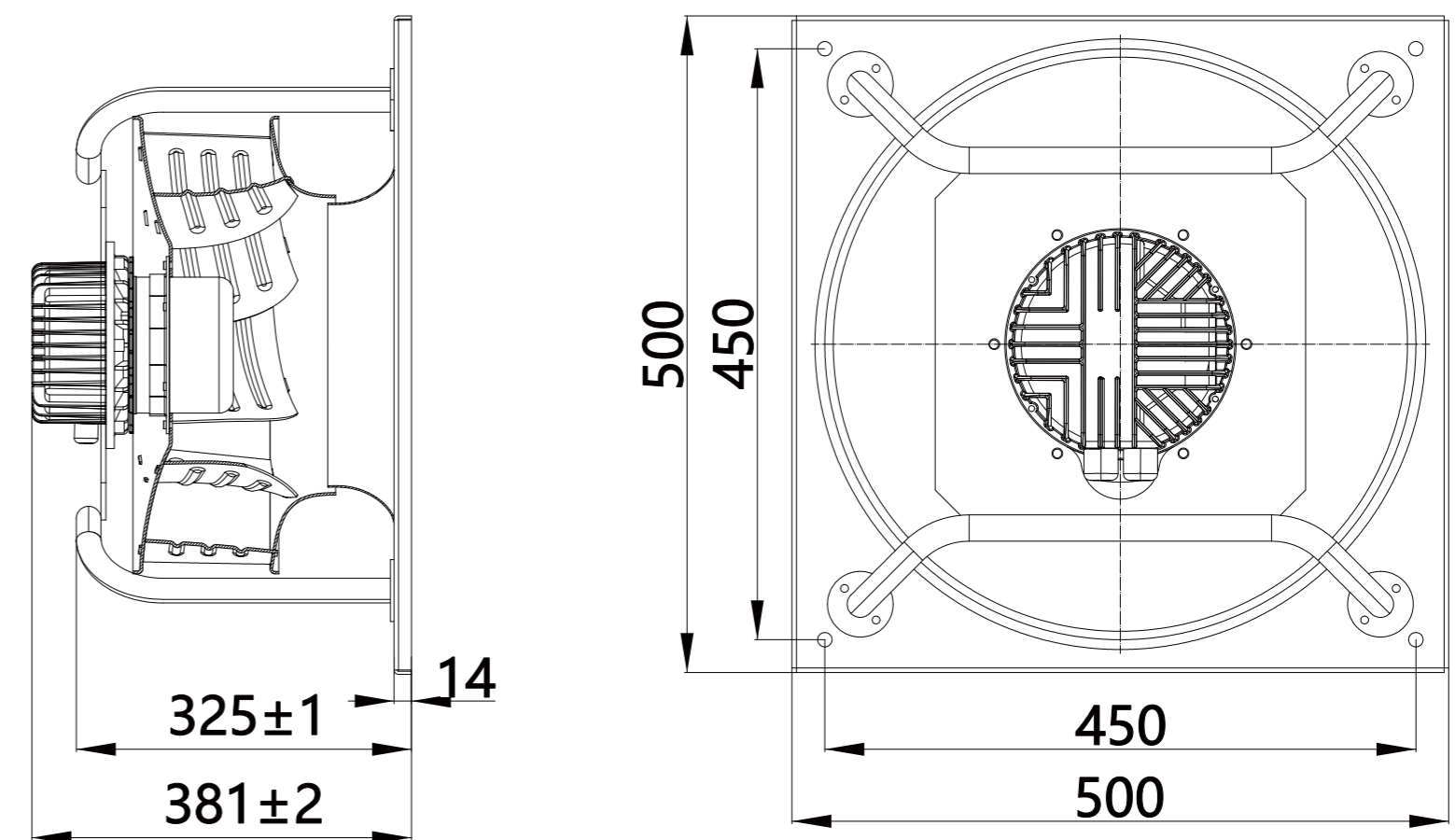
Model	Voltage (V)	Input Power (W)	Current (A)	Air Volume (m³/h)	Static Pressure (Pa)	Speed (RPM)	Noise [dB(A)]
LWBE3G450-138PT-13	400	900	/	7182	730	1610	/



LWBE3G450-138NT-12 (without bracket)



LWBE3G450-138PT-13 (with bracket)



LWBE-450 Series

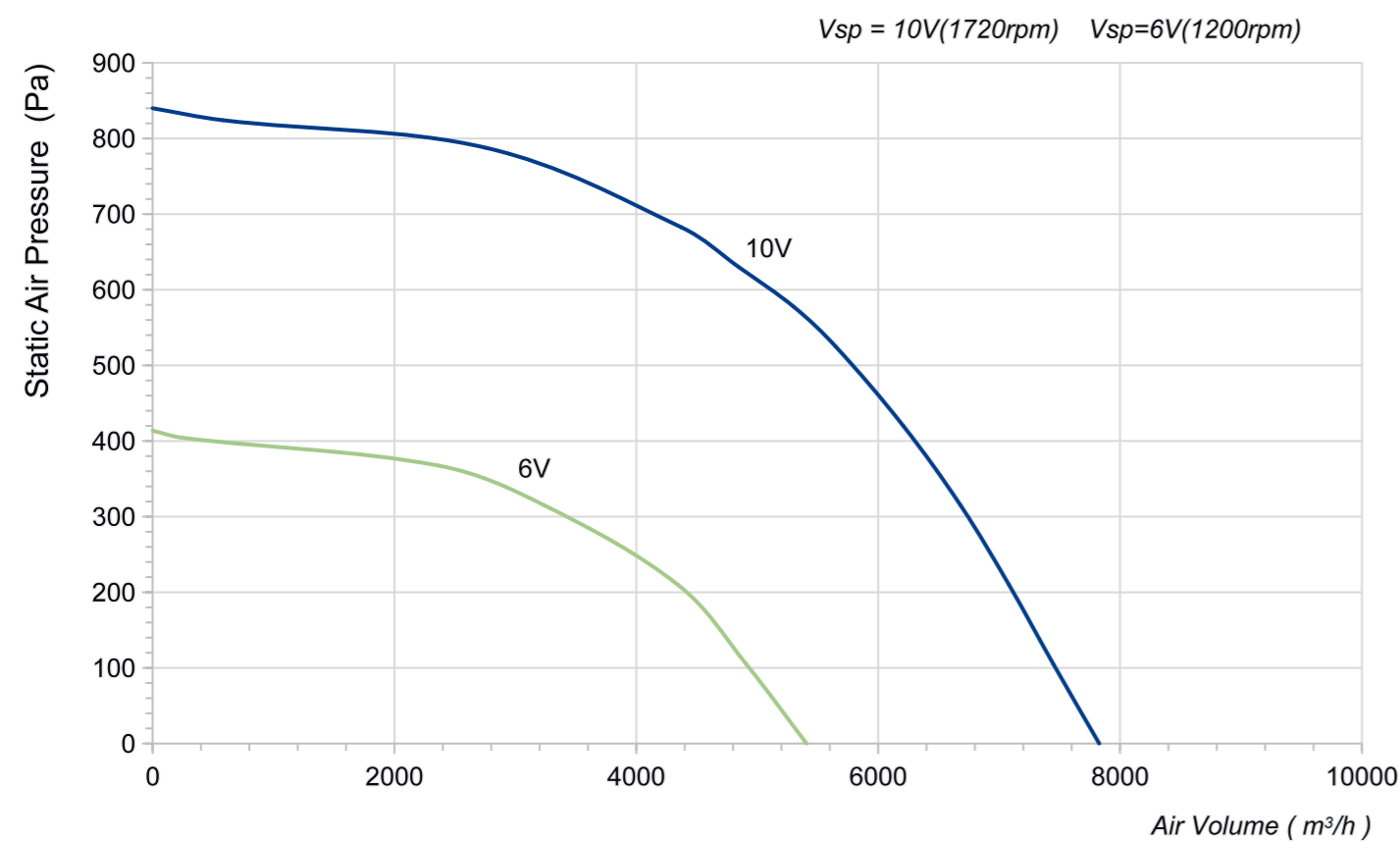
Product Characteristic

- Impeller Material: Aluminum Alloy
- Supply Voltage: 400V,50/60Hz
- Mode Of Operation: S1
- Protection Class: IP54
- Insulation Class: F
- Operation Temperature: -25°C ~ +60°C
- Technical Feature: Control input 0-10VDC/PWM, Tech output, Locked-Rotor protection, Reverse Polarity Over-voltage protection, Soft Start Protection.

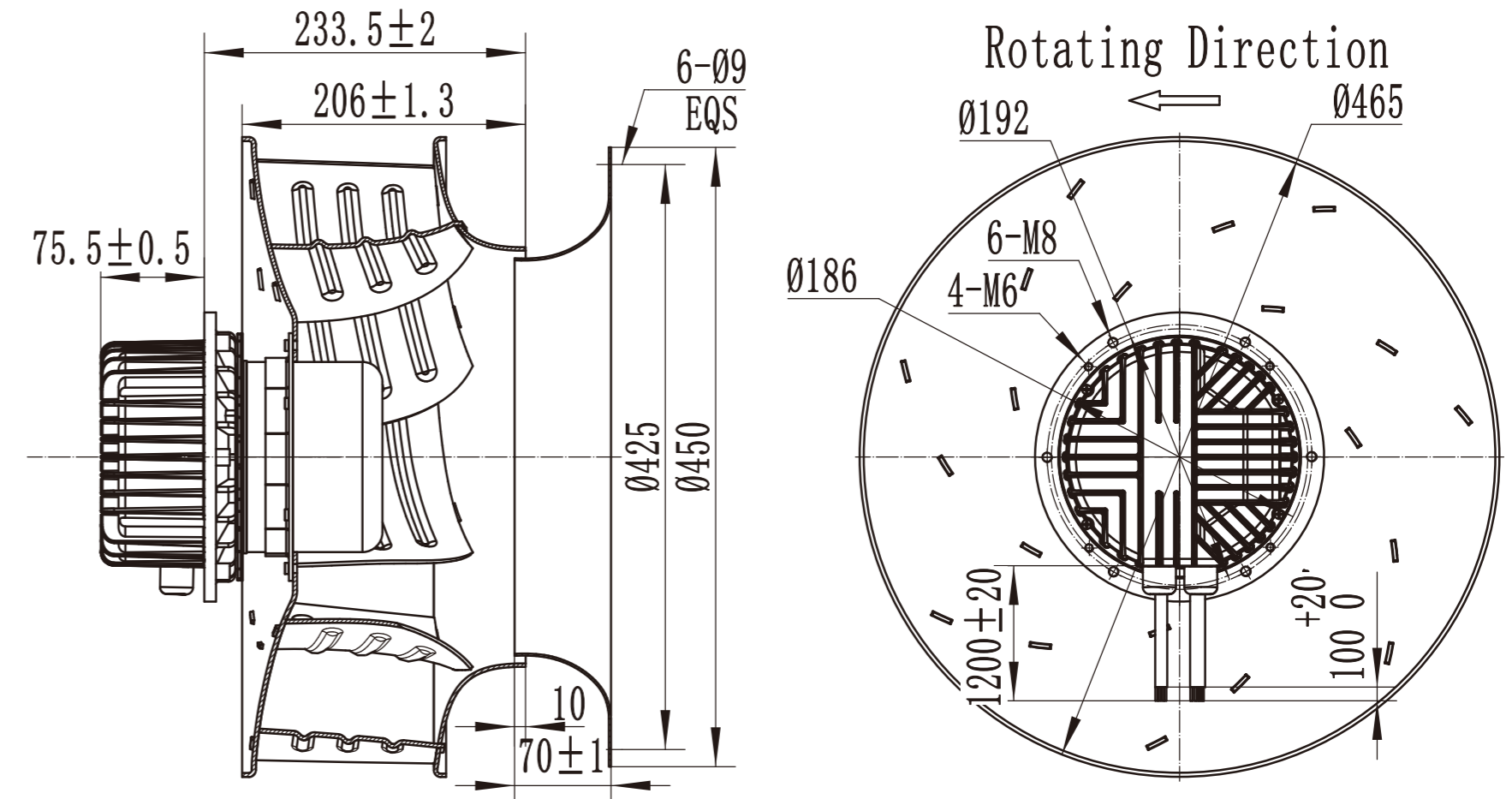


Technical Specifications

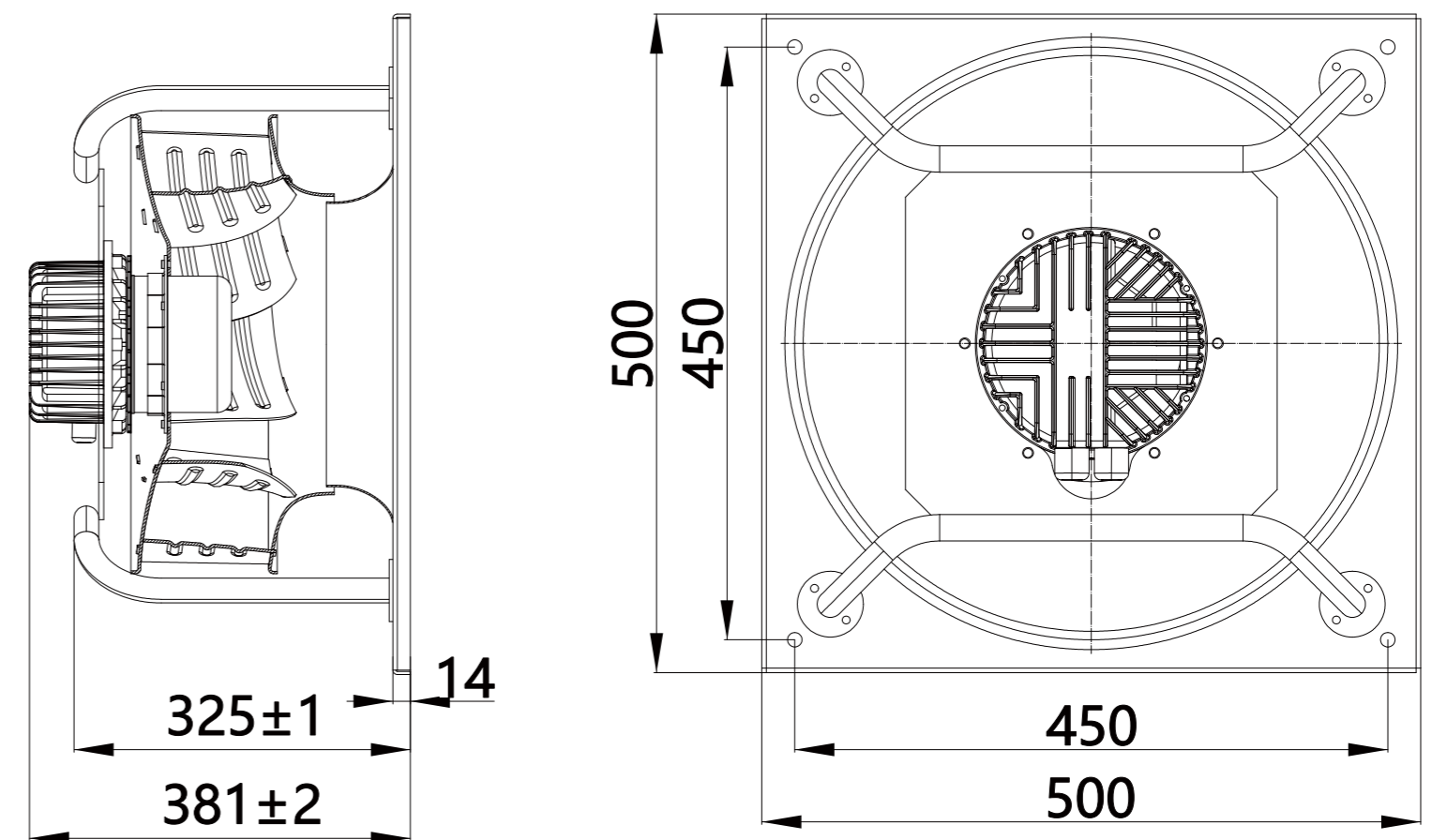
Model	Voltage (V)	Input Power (W)	Current (A)	Air Volume (m³/h)	Static Pressure (Pa)	Speed (RPM)	Noise [dB(A)]
LWBE3G450-138PT-04	400	1350	3.4	7828	824	1720	/



LWBE3G450-138NT-08 (without bracket)



LWBE3G450-138PT-04 (with bracket)



LWBE-450 Series

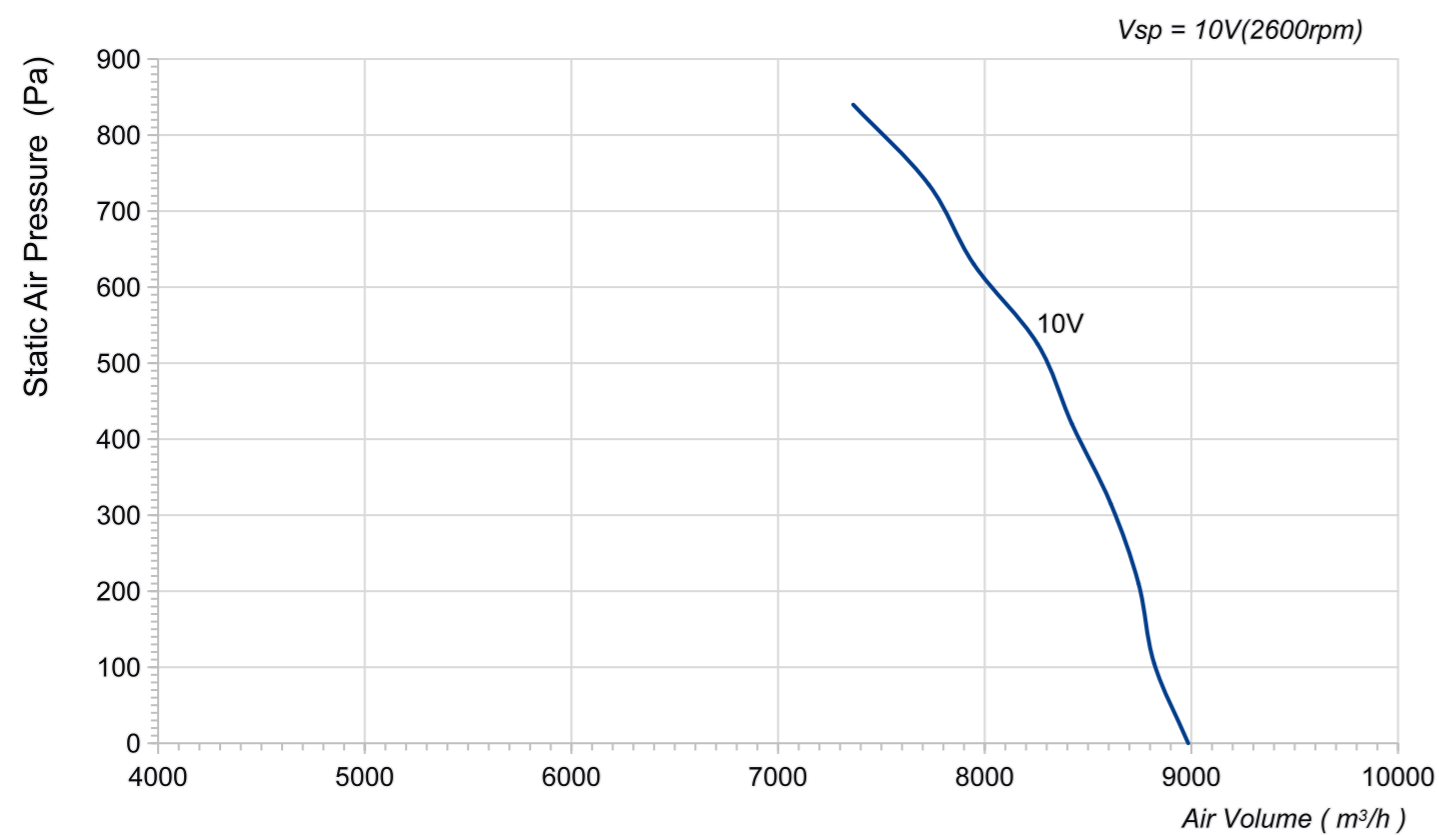
Product Characteristic

- Impeller Material: Aluminum Alloy
- Supply Voltage: 400V,50/60Hz
- Mode Of Operation: S1
- Protection Class: IP54
- Insulation Class: F
- Operation Temperature: -25°C ~ +60°C
- Technical Feature: Control input 0-10VDC/PWM, Tech output, Locked-Rotor protection, Reverse Polarity Over-voltage protection, Soft Start Protection.

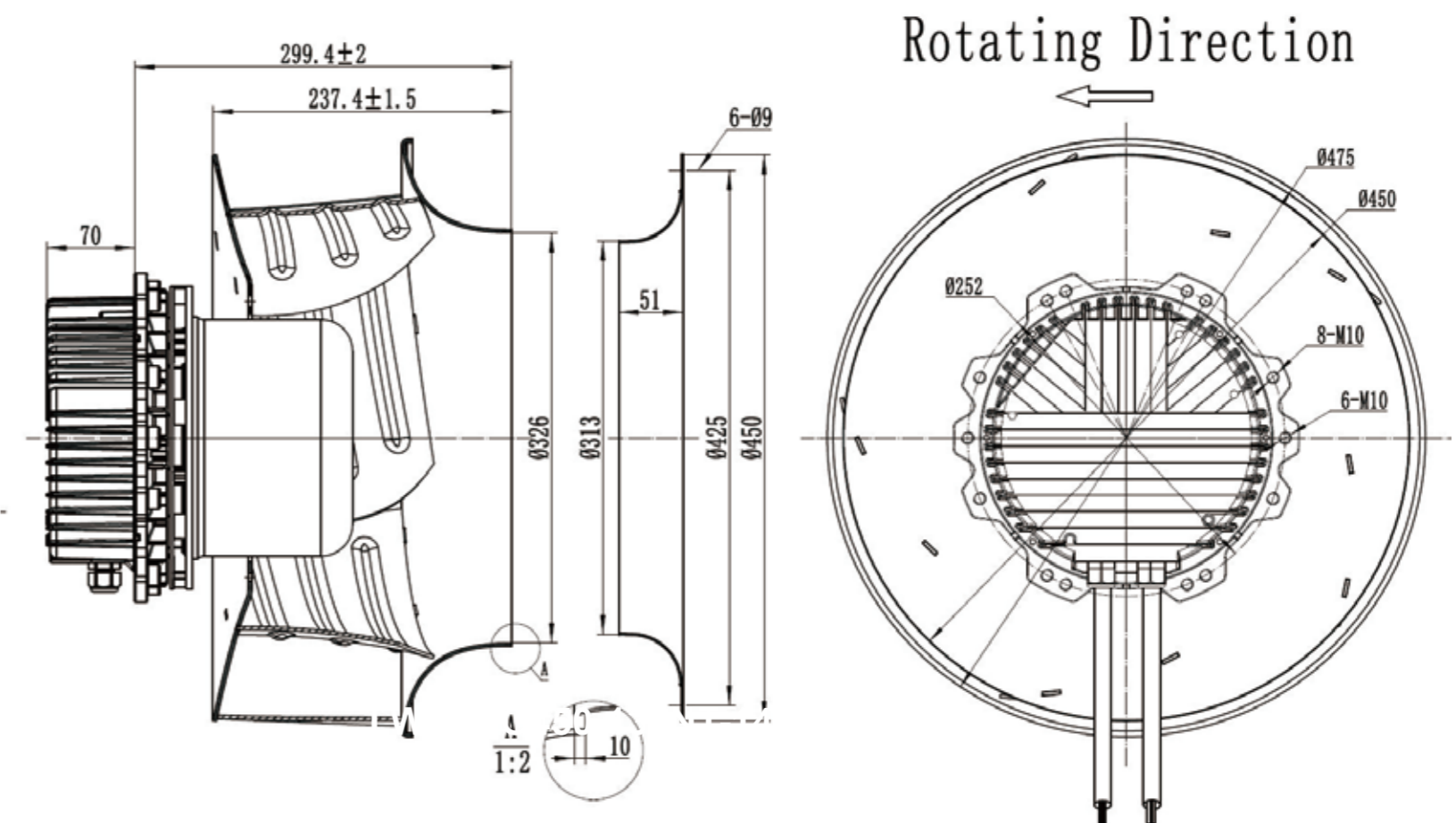


Technical Specifications

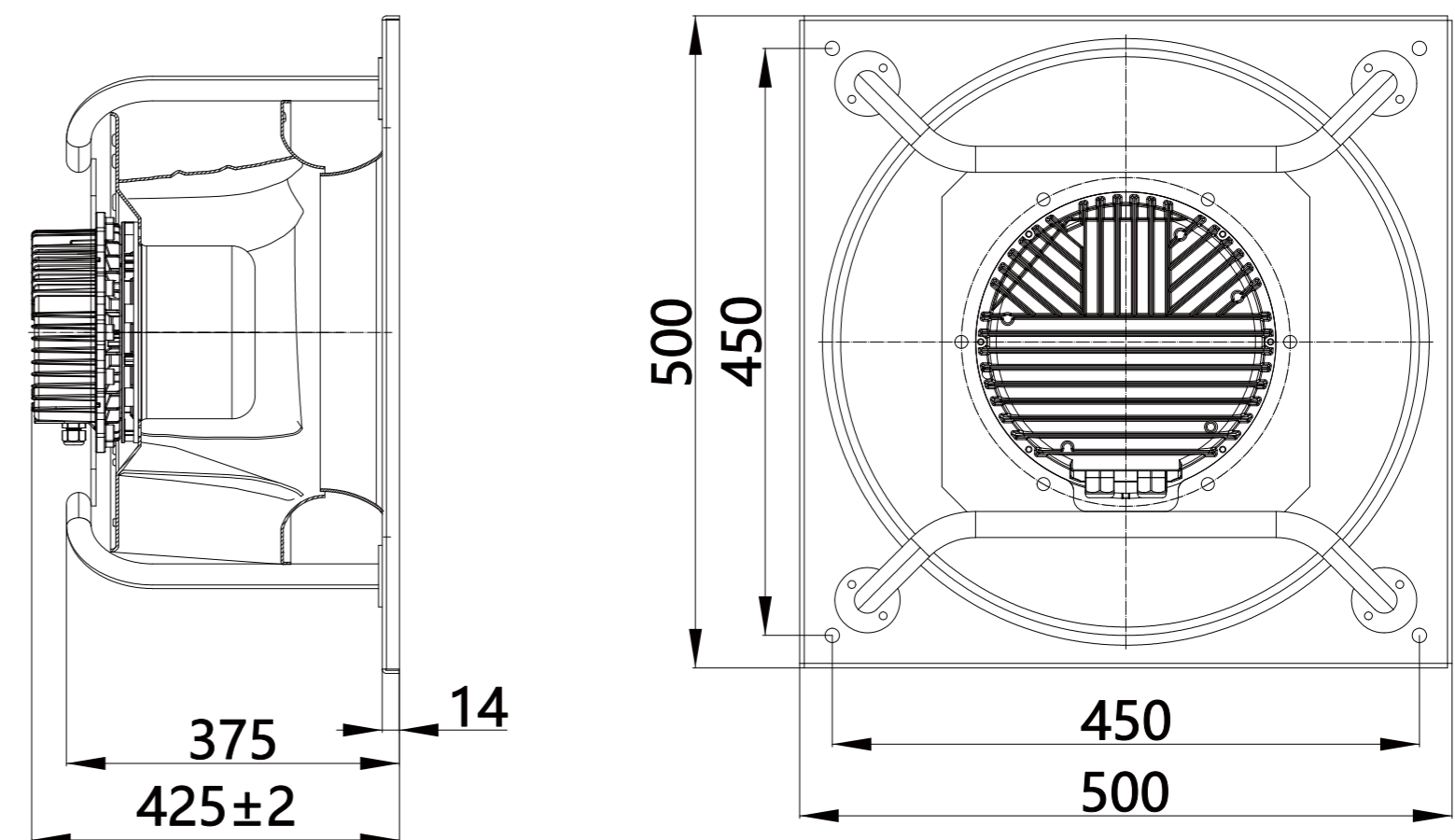
Model	Voltage (V)	Input Power (W)	Current (A)	Air Volume (m³/h)	Static Pressure (Pa)	Speed (RPM)	Noise [dB(A)]
LWBE3G450-138PT-16	400	3165	4.9	8985	840	2600	/



LWBE3G450-138NT-14 (without bracket)



LWBE3G450-138PT-16 (with bracket)



LWBE-450 Series

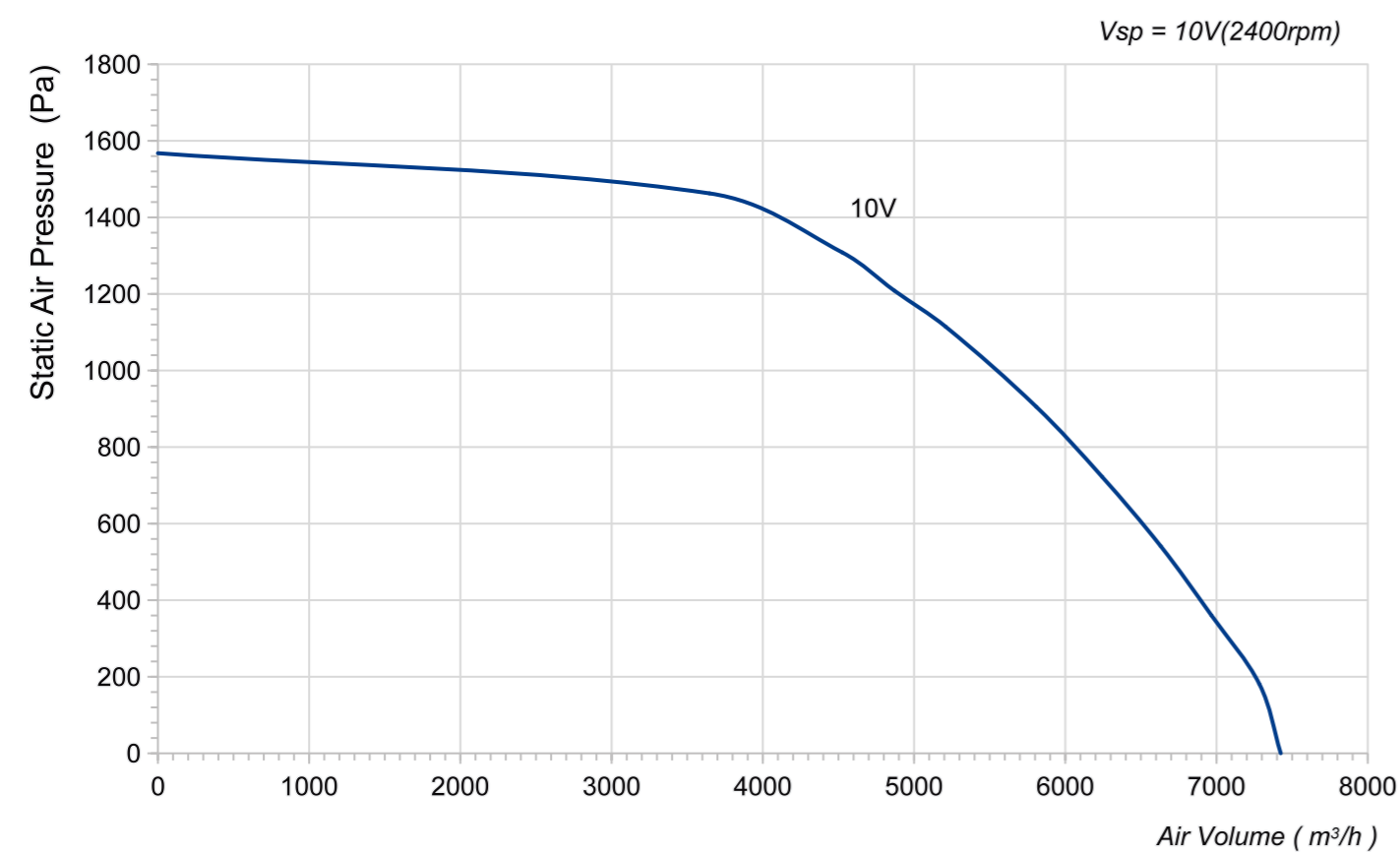
Product Characteristic

- Impeller Material: Aluminum Alloy
- Supply Voltage: 400V,50/60Hz
- Mode Of Operation: S1
- Protection Class: IP54
- Insulation Class: F
- Operation Temperature: -25°C ~ +60°C
- Technical Feature: Control input 0-10VDC/PWM, Tech output, Locked-Rotor protection, Reverse Polarity Over-voltage protection, Soft Start Protection.

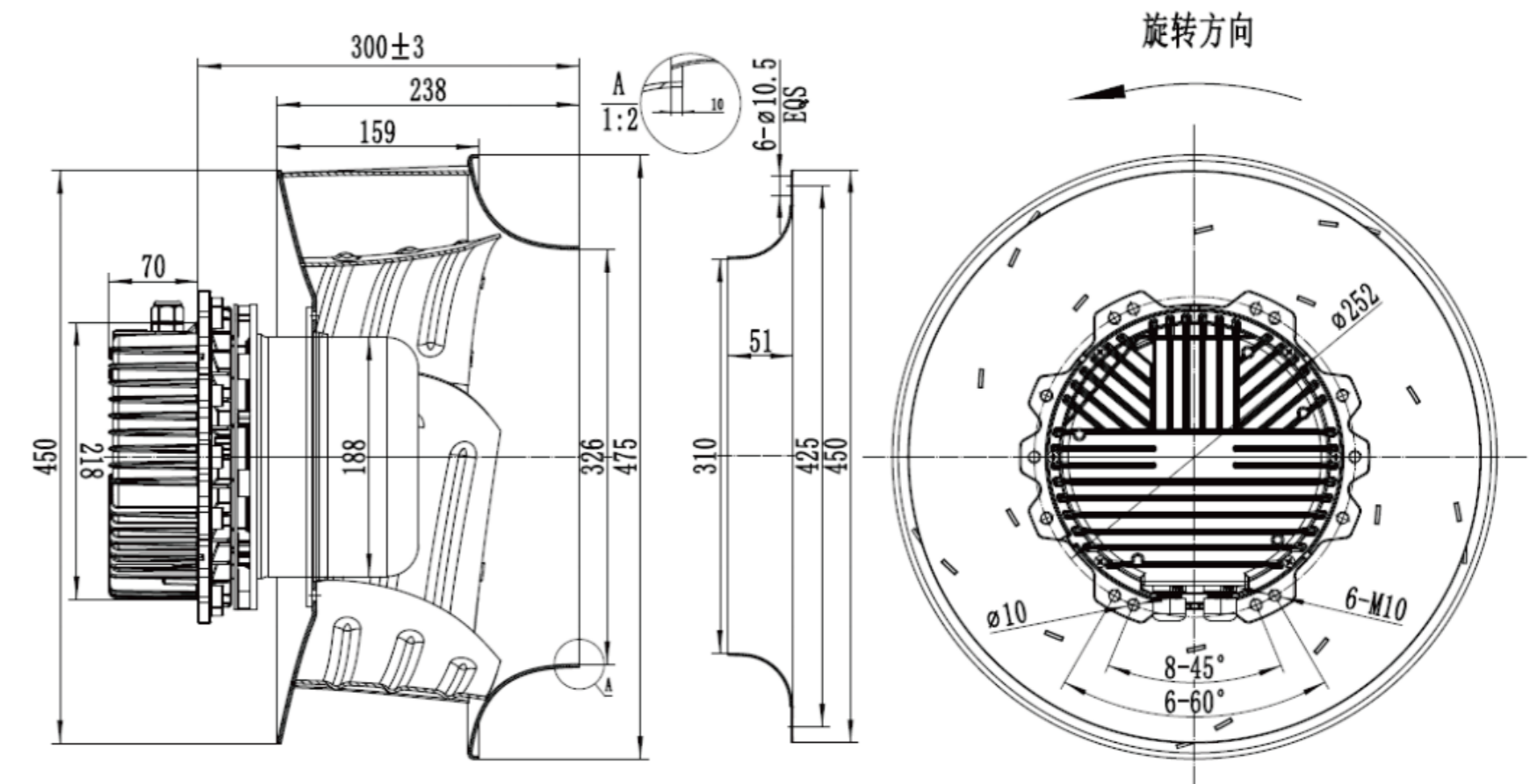


Technical Specifications

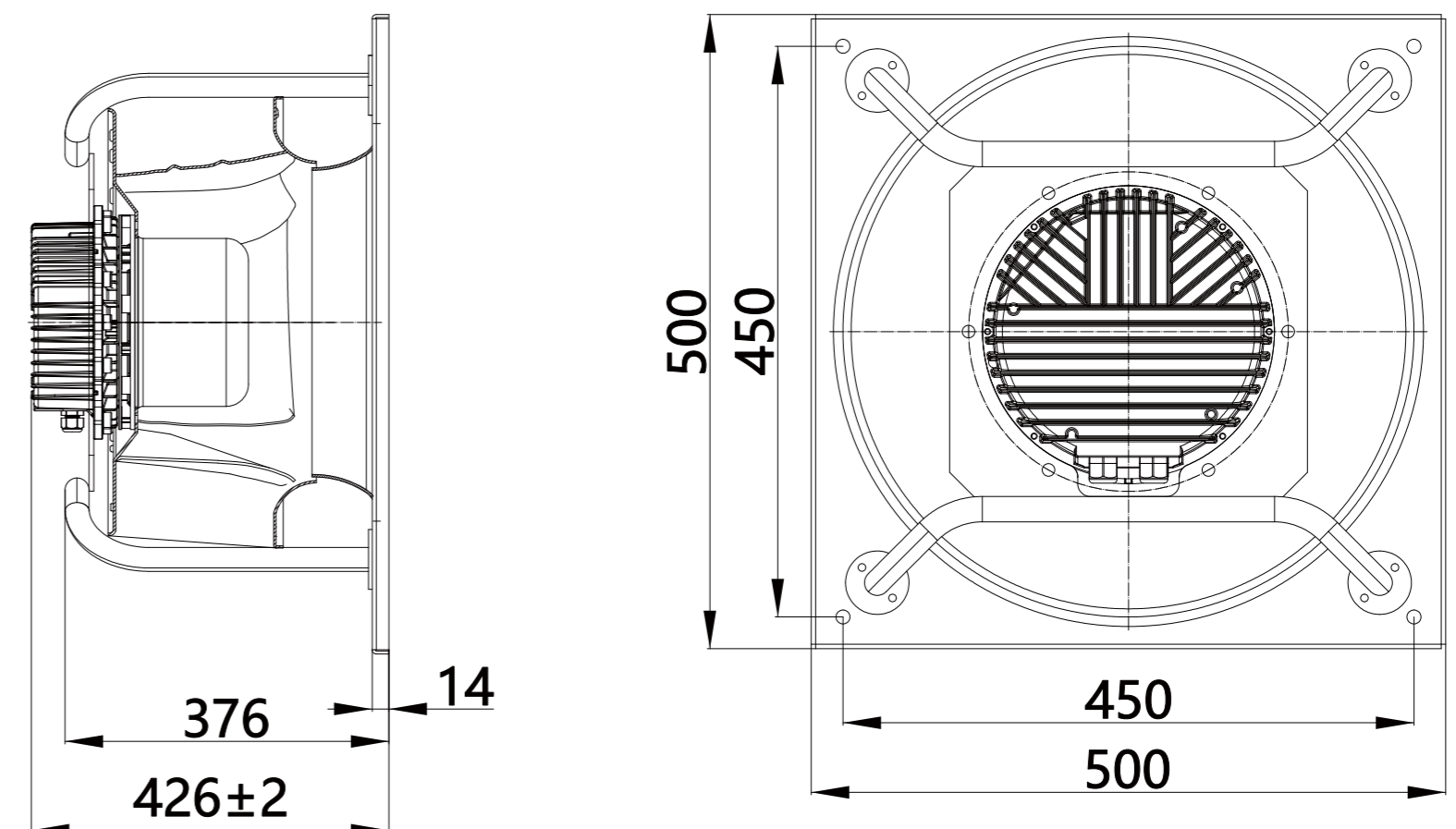
Model	Voltage (V)	Input Power (W)	Current (A)	Air Volume (m³/h)	Static Pressure (Pa)	Speed (RPM)	Noise [dB(A)]
LWBE3G450-188PT-07	400	2740	3.45	7425	1568	2400	/



LWBE3G450-188NT-15 (without bracket)



LWBE3G450-188PT-07 (with bracket)



LWBE-450 Series

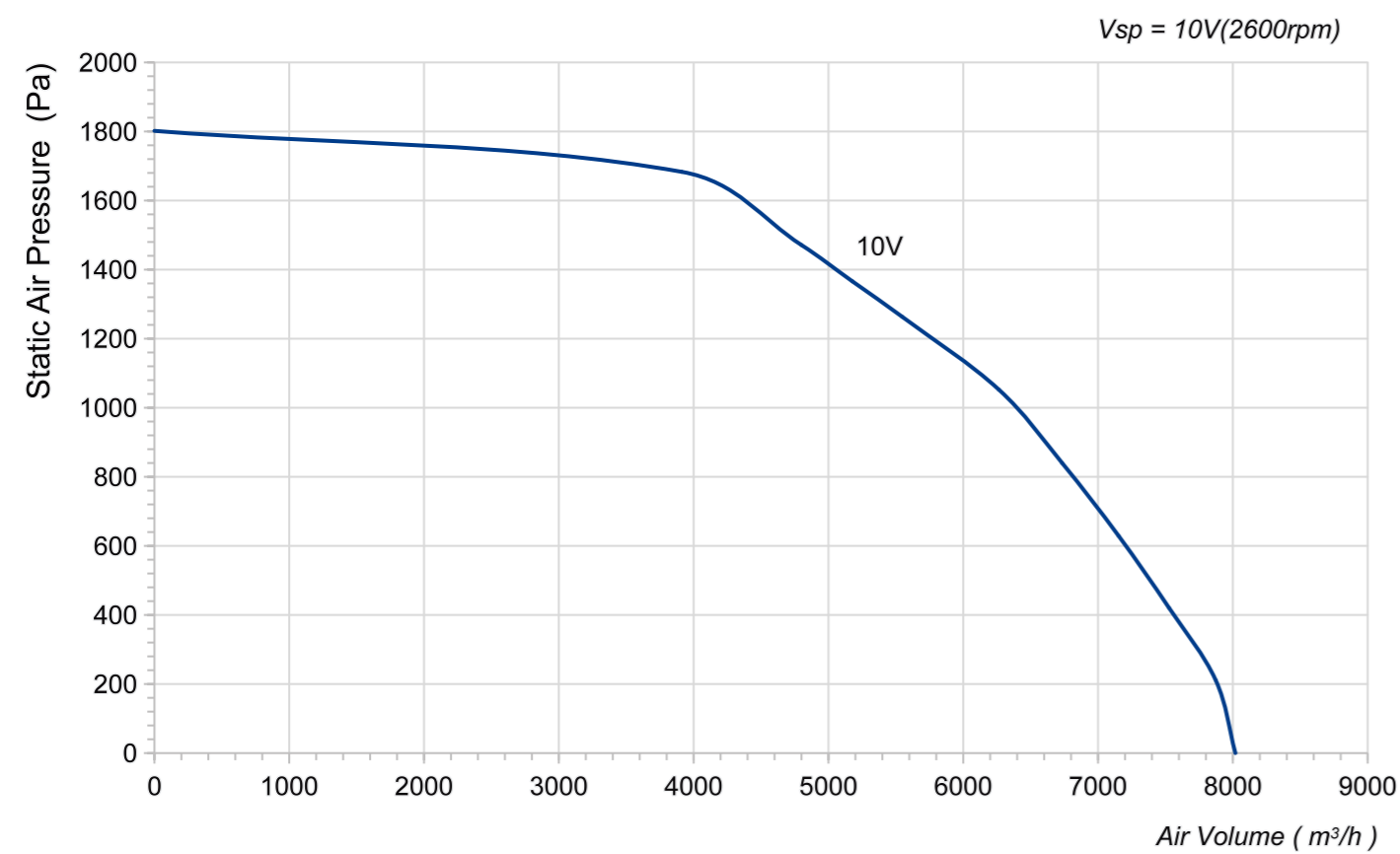
Product Characteristic

- Impeller Material: Aluminum Alloy
- Supply Voltage: 400V,50/60Hz
- Mode Of Operation: S1
- Protection Class: IP54
- Insulation Class: F
- Operation Temperature: -25°C ~ +60°C
- Technical Feature: Control input 0-10VDC/PWM, Tech output, Locked-Rotor protection, Reverse Polarity Over-voltage protection, Soft Start Protection.

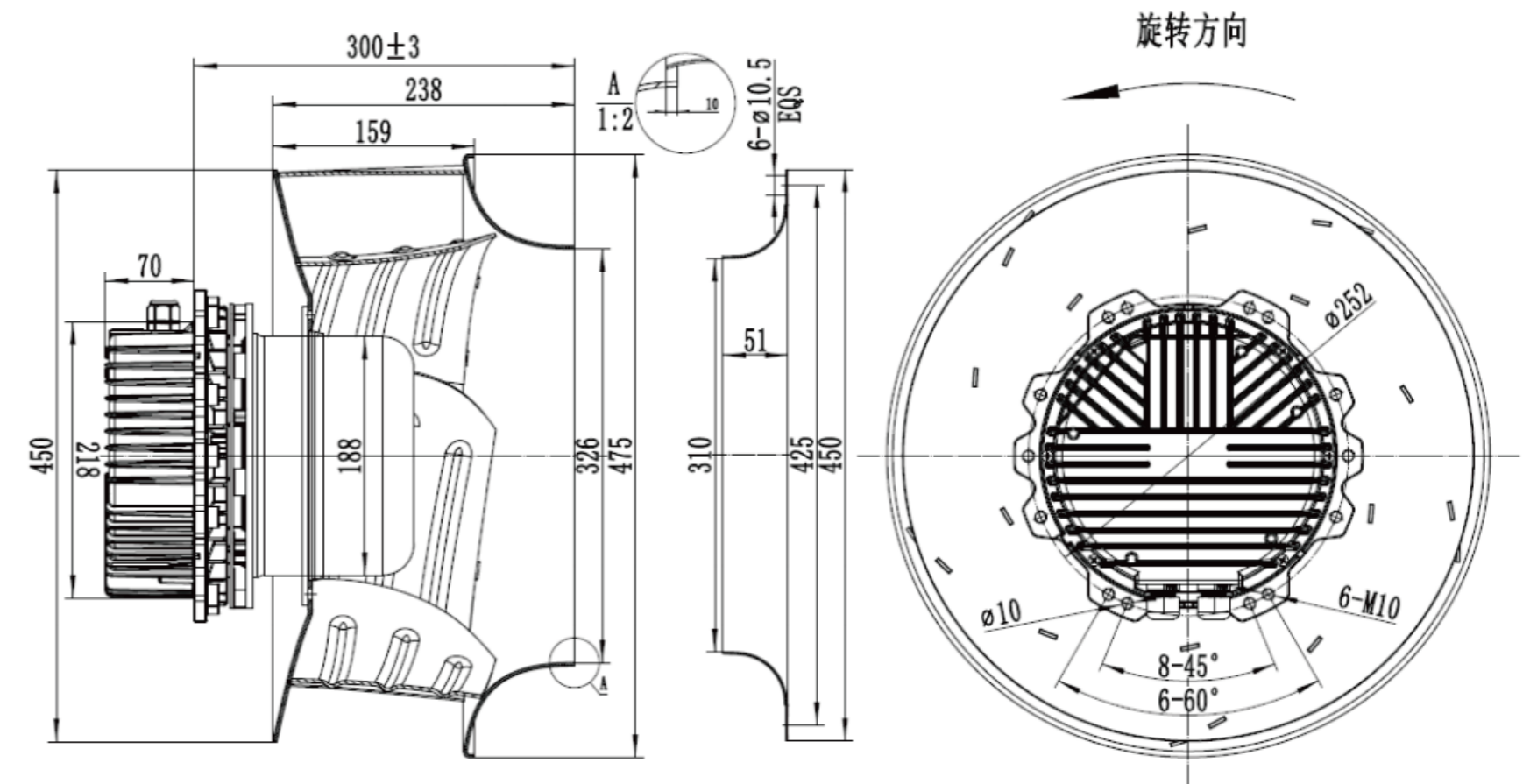


Technical Specifications

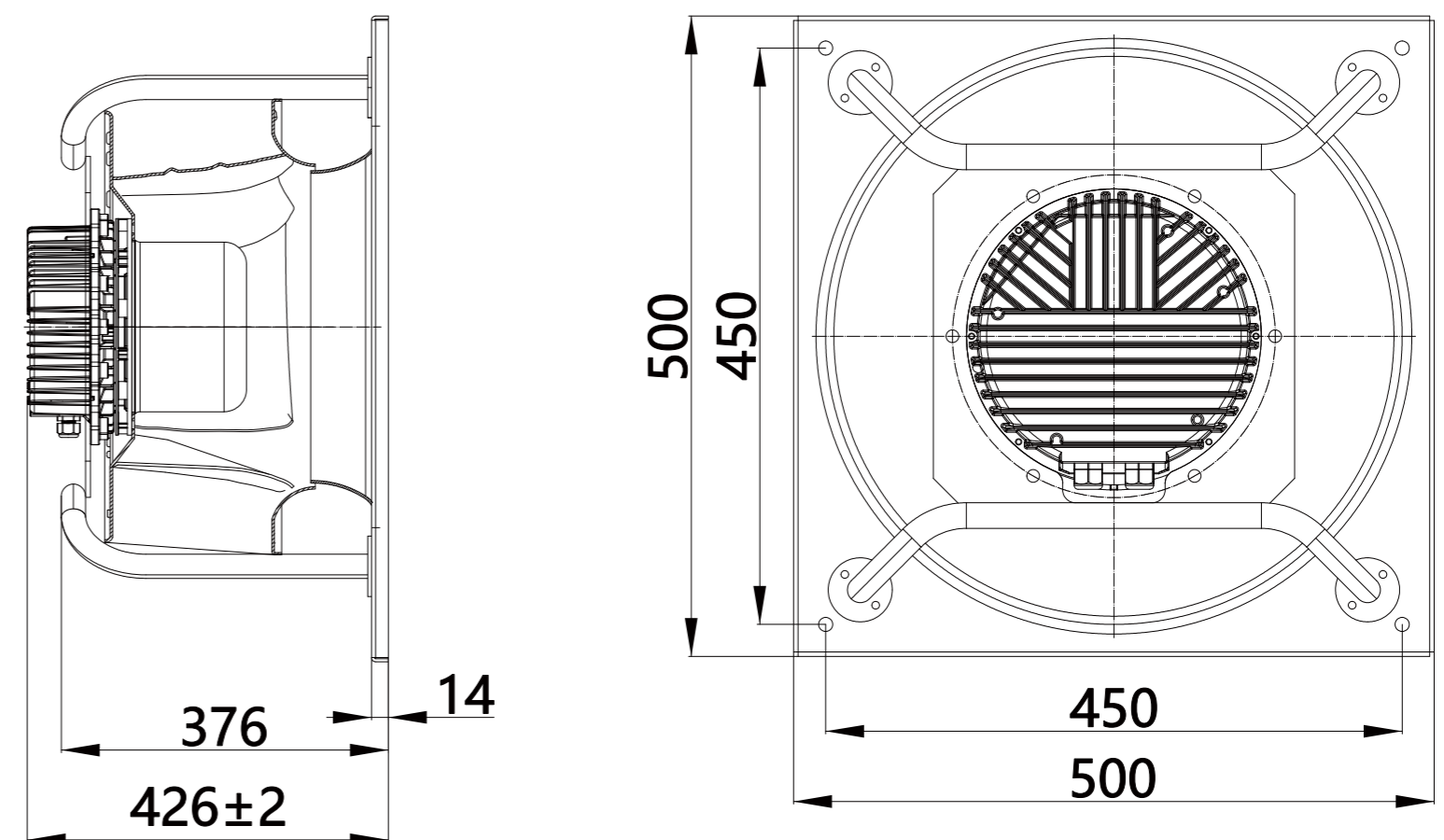
Model	Voltage (V)	Input Power (W)	Current (A)	Air Volume (m³/h)	Static Pressure (Pa)	Speed (RPM)	Noise [dB(A)]
LWBE3G450-188PT-08	400	3270	4.2	8019	1802	2600	/



LWBE3G450-188NT-16 (without bracket)



LWBE3G450-188PT-08 (with bracket)



LWBE-450 Series

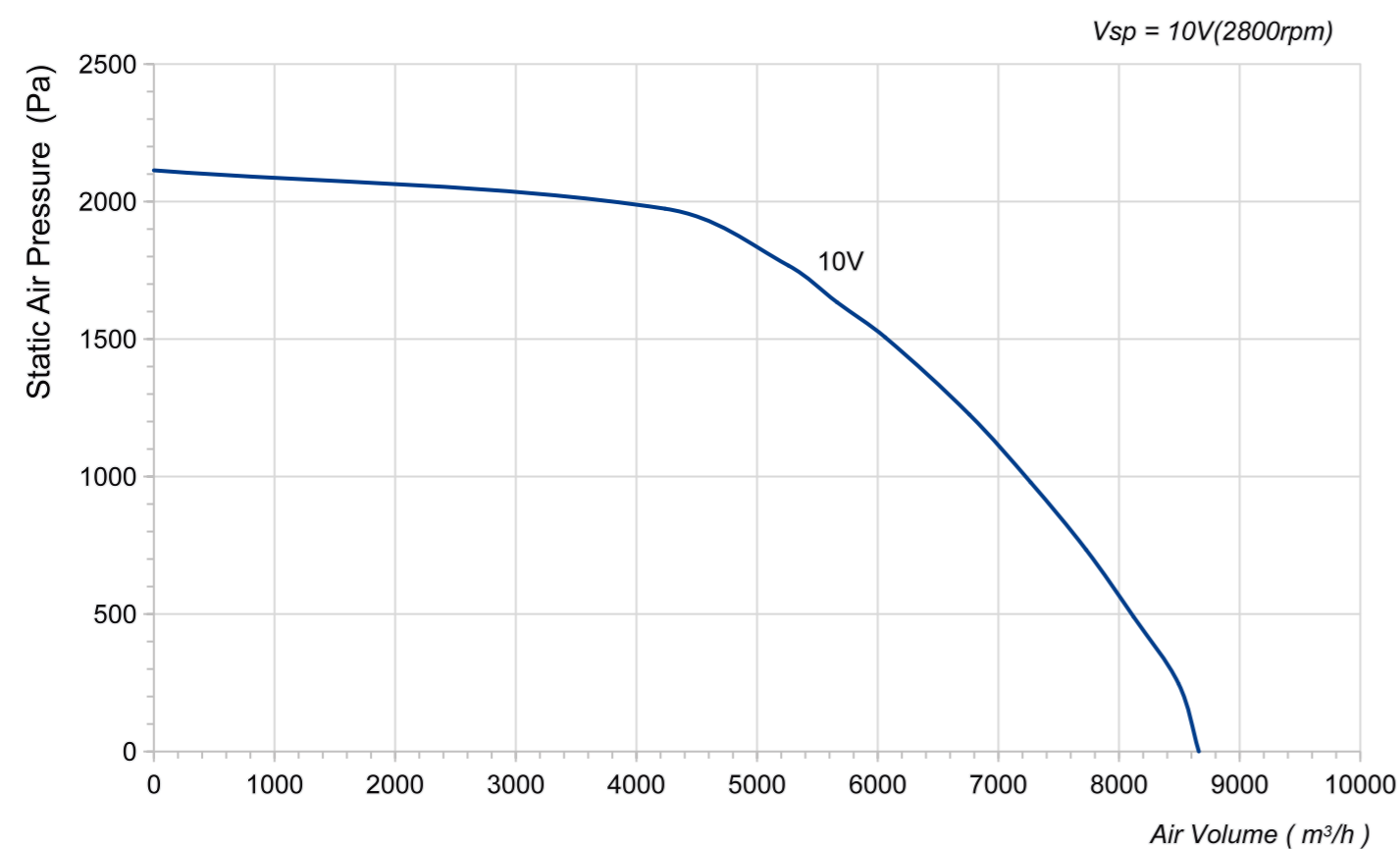
Product Characteristic

- Impeller Material: Aluminum Alloy
- Supply Voltage: 400V,50/60Hz
- Mode Of Operation: S1
- Protection Class: IP54
- Insulation Class: F
- Operation Temperature: -25°C ~ +60°C
- Technical Feature: Control input 0-10VDC/PWM, Tech output, Locked-Rotor protection, Reverse Polarity Over-voltage protection, Soft Start Protection.

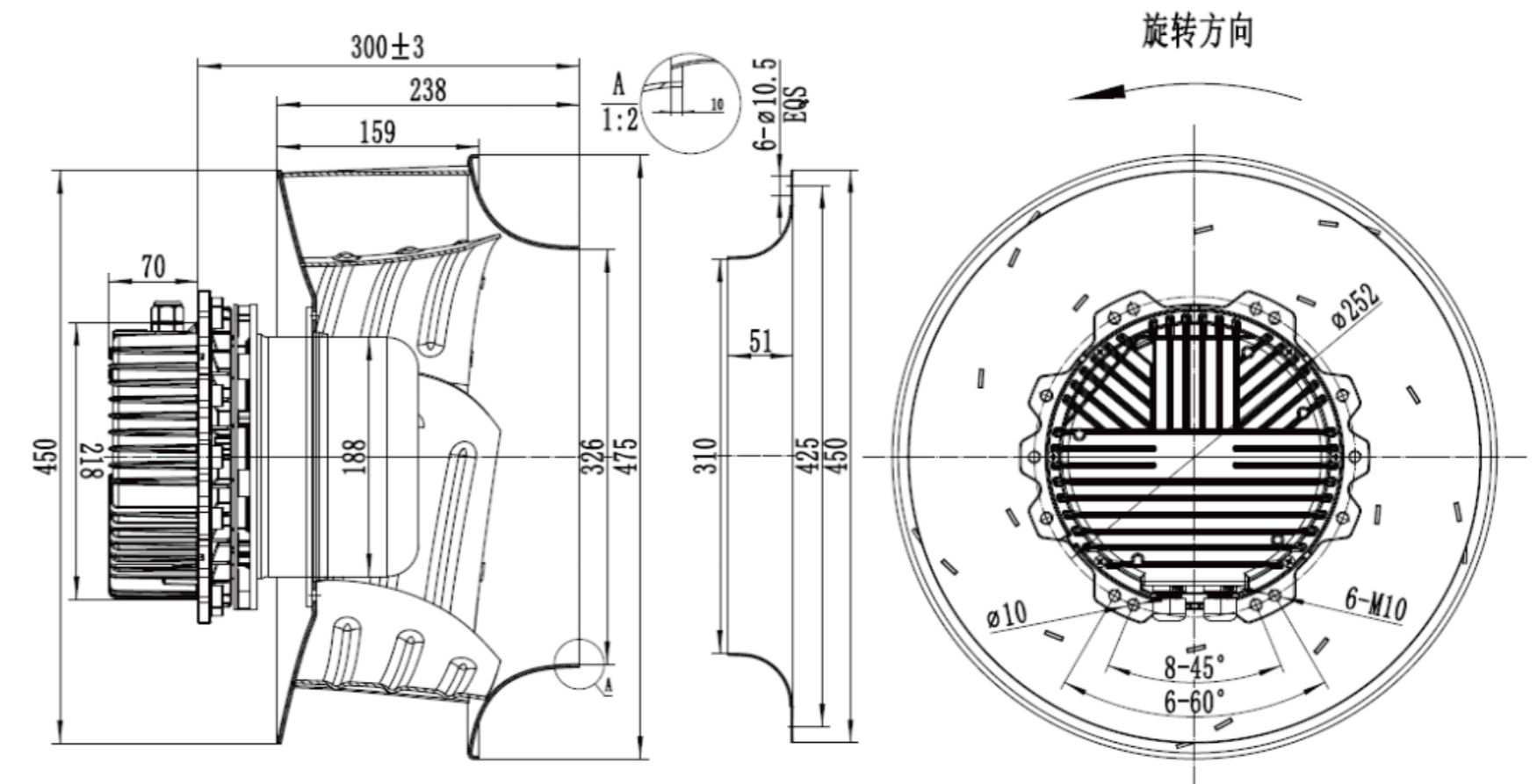


Technical Specifications

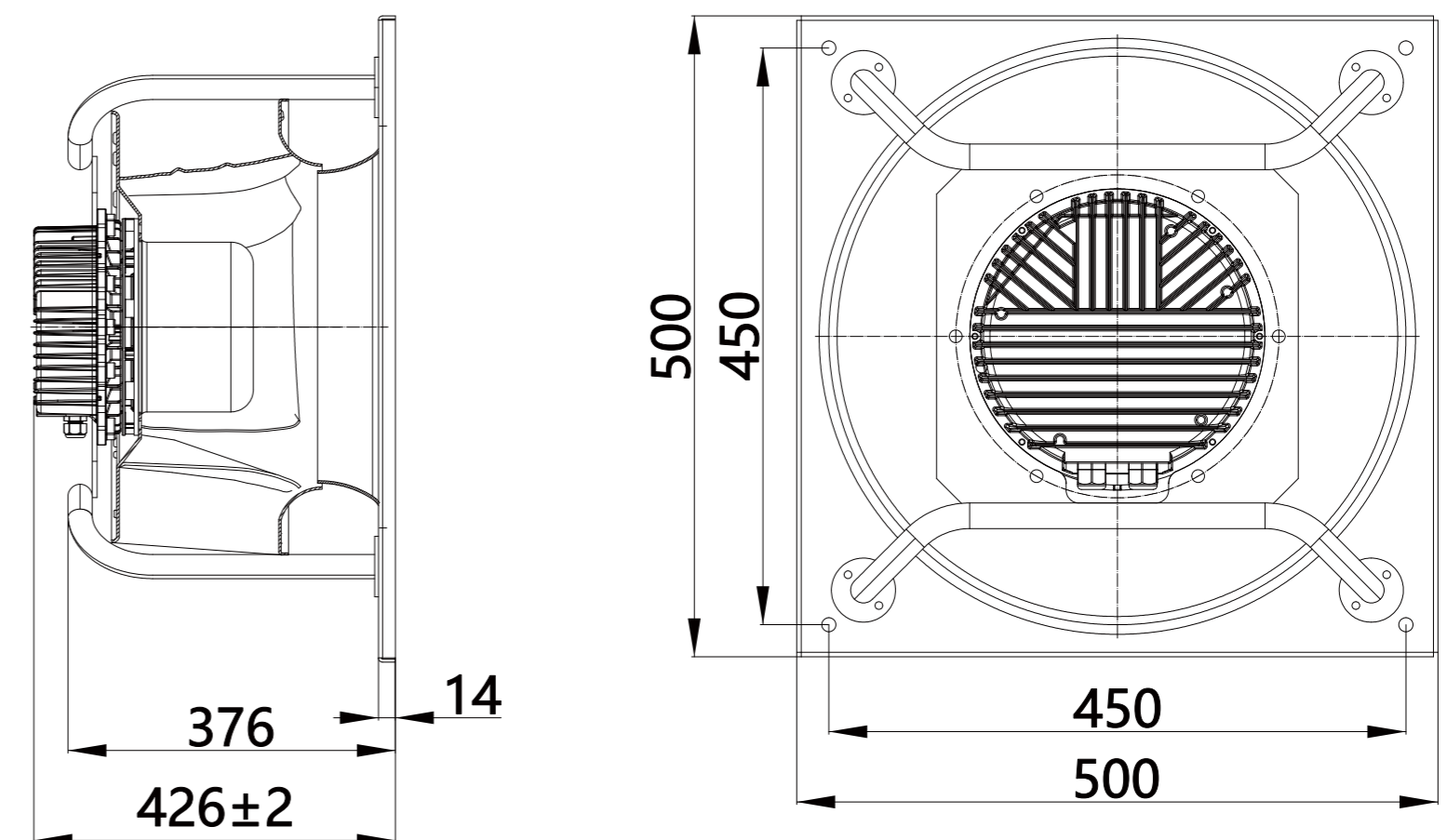
Model	Voltage (V)	Input Power (W)	Current (A)	Air Volume (m³/h)	Static Pressure (Pa)	Speed (RPM)	Noise [dB(A)]
LWBE3G450-188PT-09	400	4301	5.3	8661	2114	2800	/



LWBE3G450-188NT-17 (without bracket)



LWBE3G450-188PT-09 (with bracket)



LWBE-500 Series

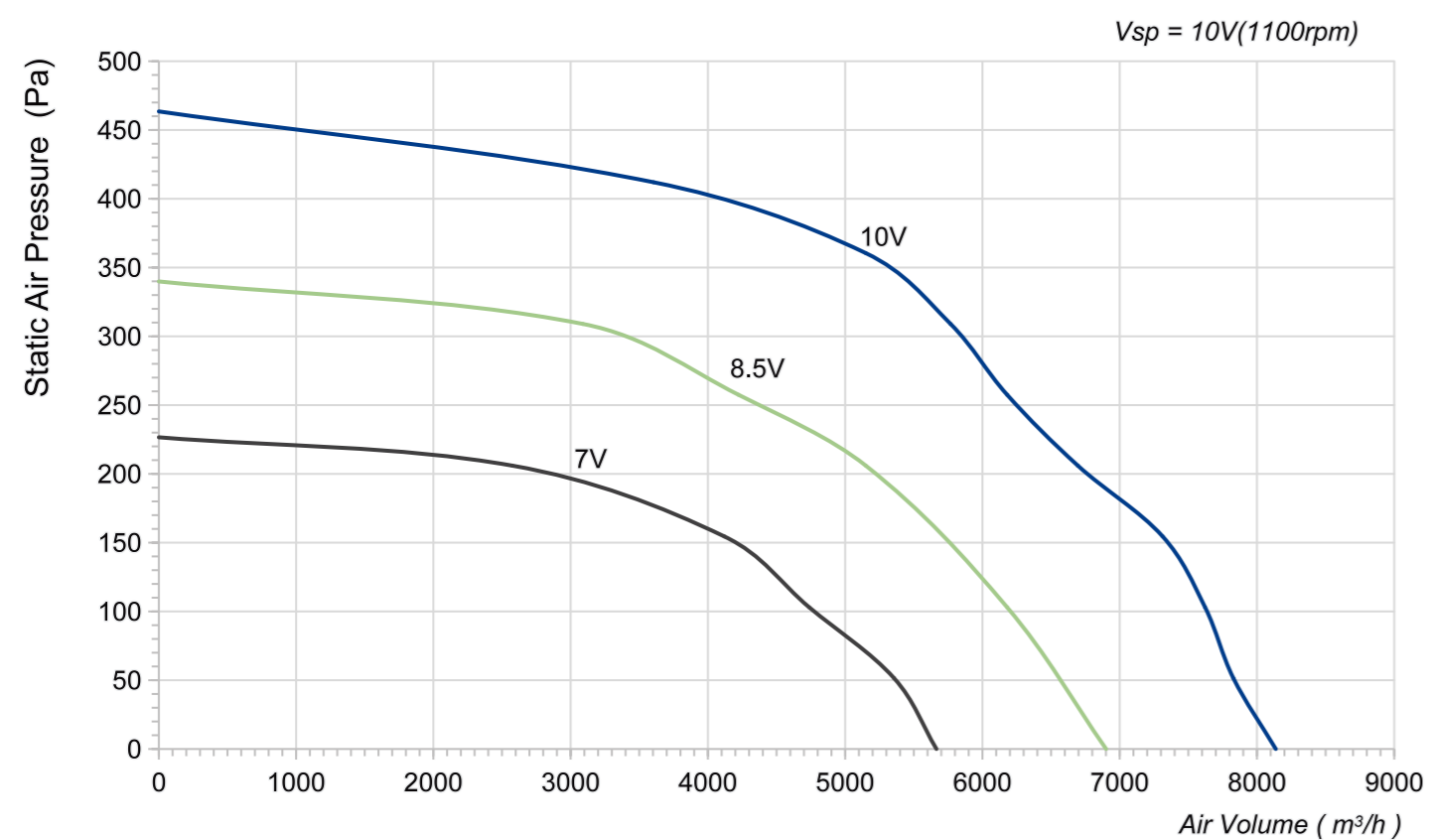
Product Characteristic

- Impeller Material: Aluminum Alloy
- Supply Voltage: 400V,50/60Hz
- Mode Of Operation: S1
- Protection Class: IP44
- Insulation Class: F
- Operation Temperature: -25°C ~ +60°C
- Technical Feature: Control input 0-10VDC/PWM, Tech output, Locked-Rotor protection, Reverse Polarity Over-voltage protection, Soft Start Protection.

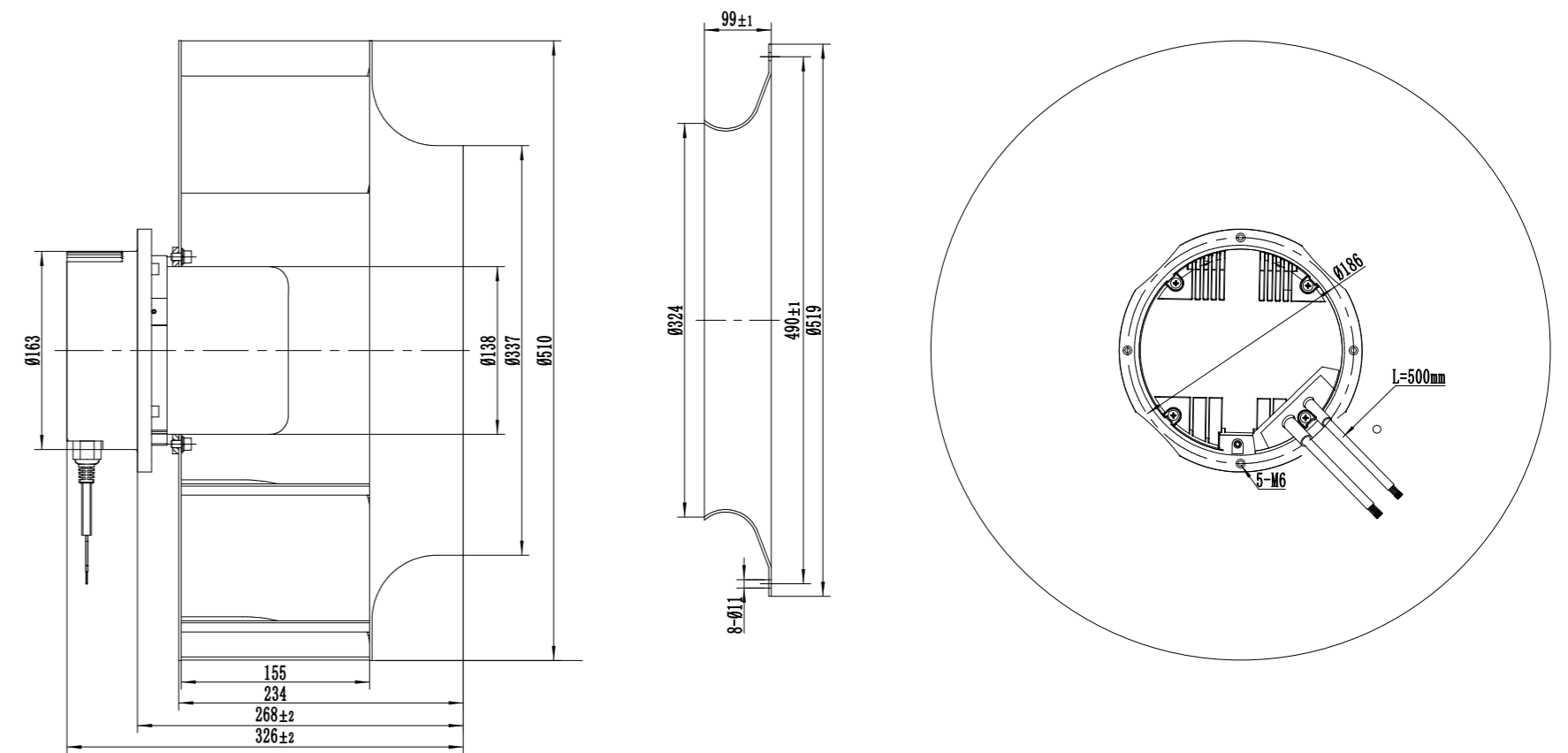


Technical Specifications

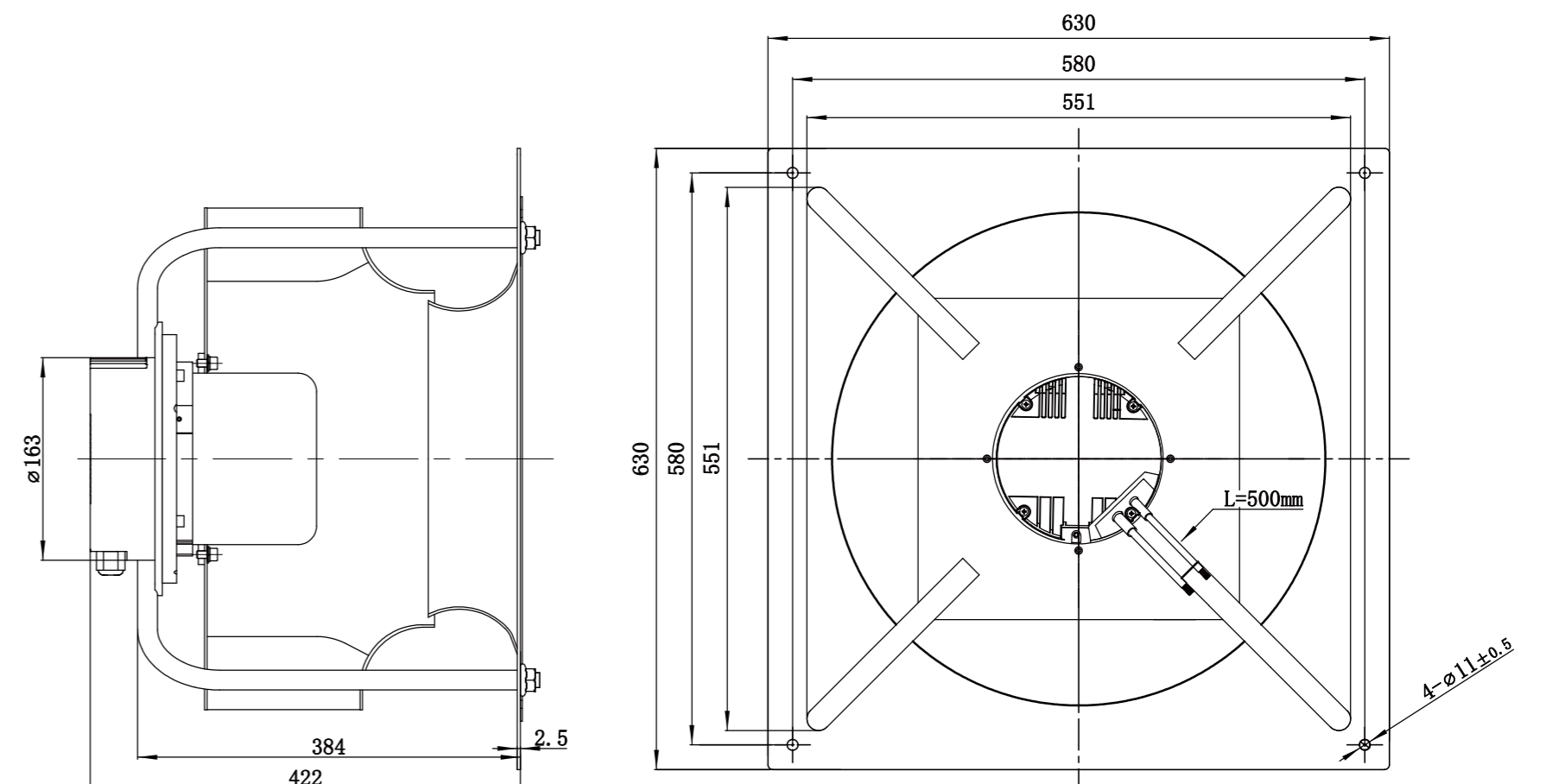
Model	Voltage (V)	Input Power (W)	Current (A)	Air Volume (m³/h)	Static Pressure (Pa)	Speed (RPM)	Noise [dB(A)]
LWBE3G500-138PT-08	400	870	1.46	8137	464	1100	71



LWBE3G500-138NT-13 (without bracket)



LWBE3G500-138PT-08 (with bracket)



LWBE-500 Series

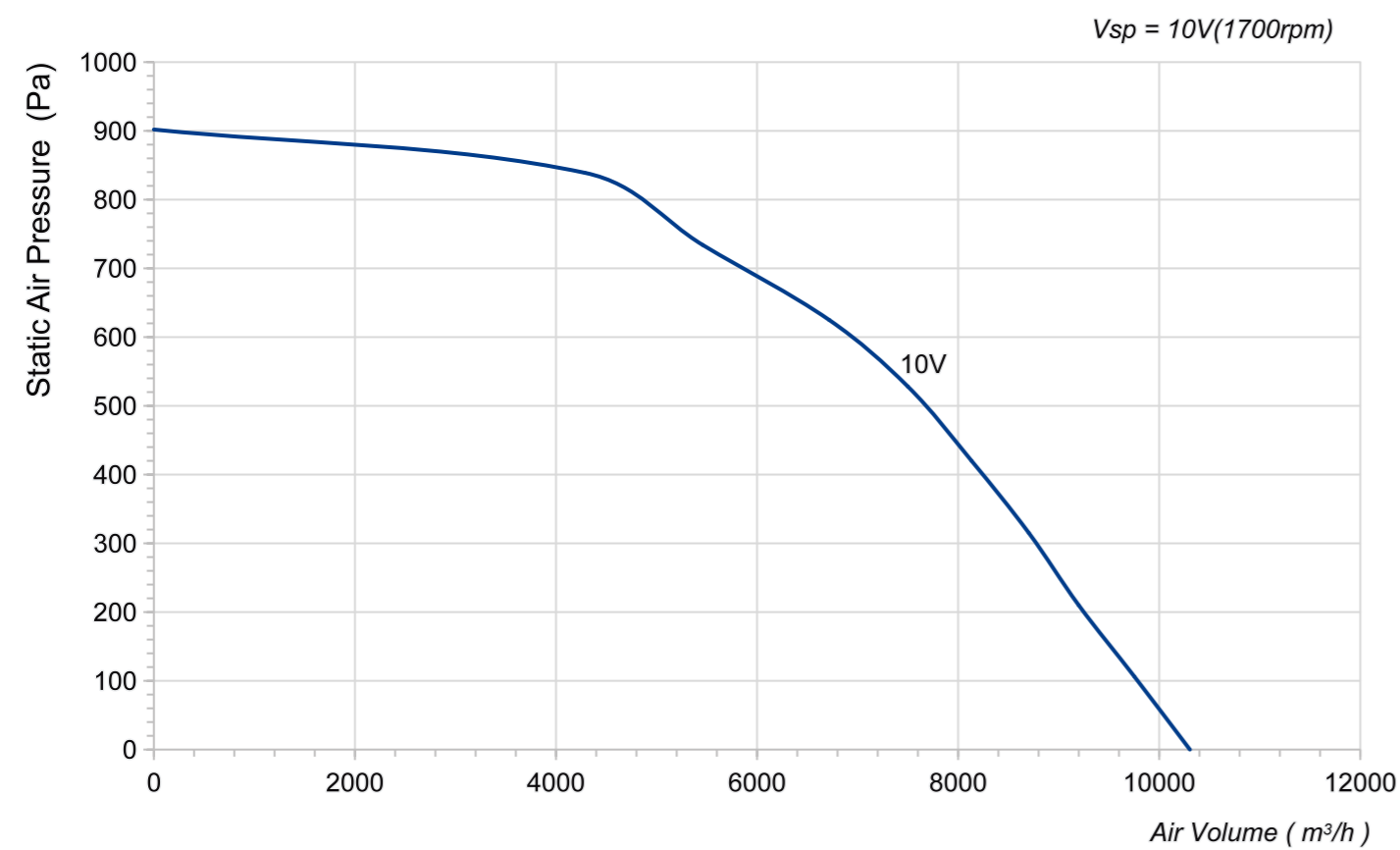
Product Characteristic

- Impeller Material: Aluminum Alloy
- Supply Voltage: 400V,50/60Hz
- Mode Of Operation: S1
- Protection Class: IP54
- Insulation Class: F
- Operation Temperature: -25°C ~ +60°C
- Technical Feature: Control input 0-10VDC/PWM, Tech output, Locked-Rotor protection, Reverse Polarity Over-voltage protection, Soft Start Protection.

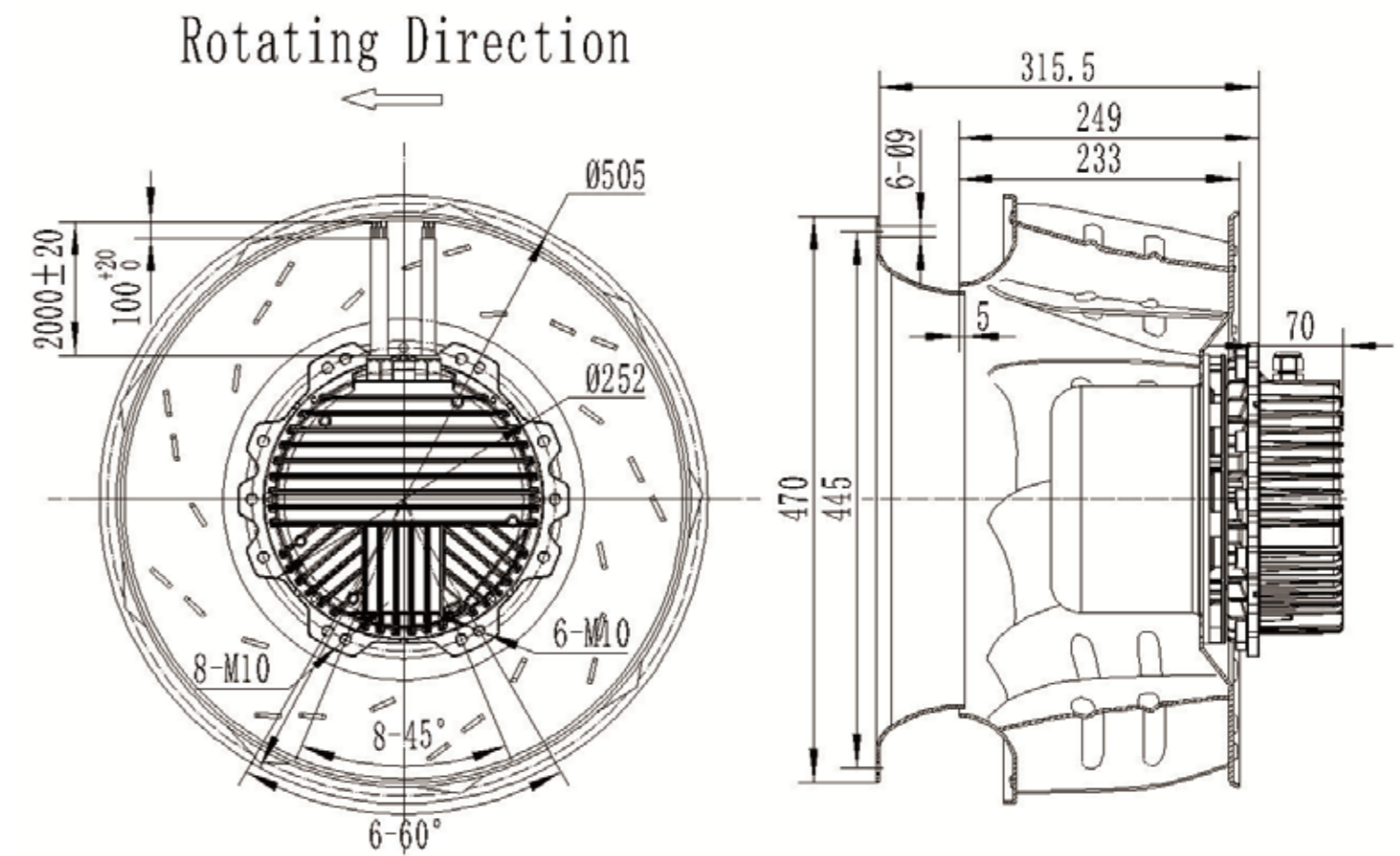


Technical Specifications

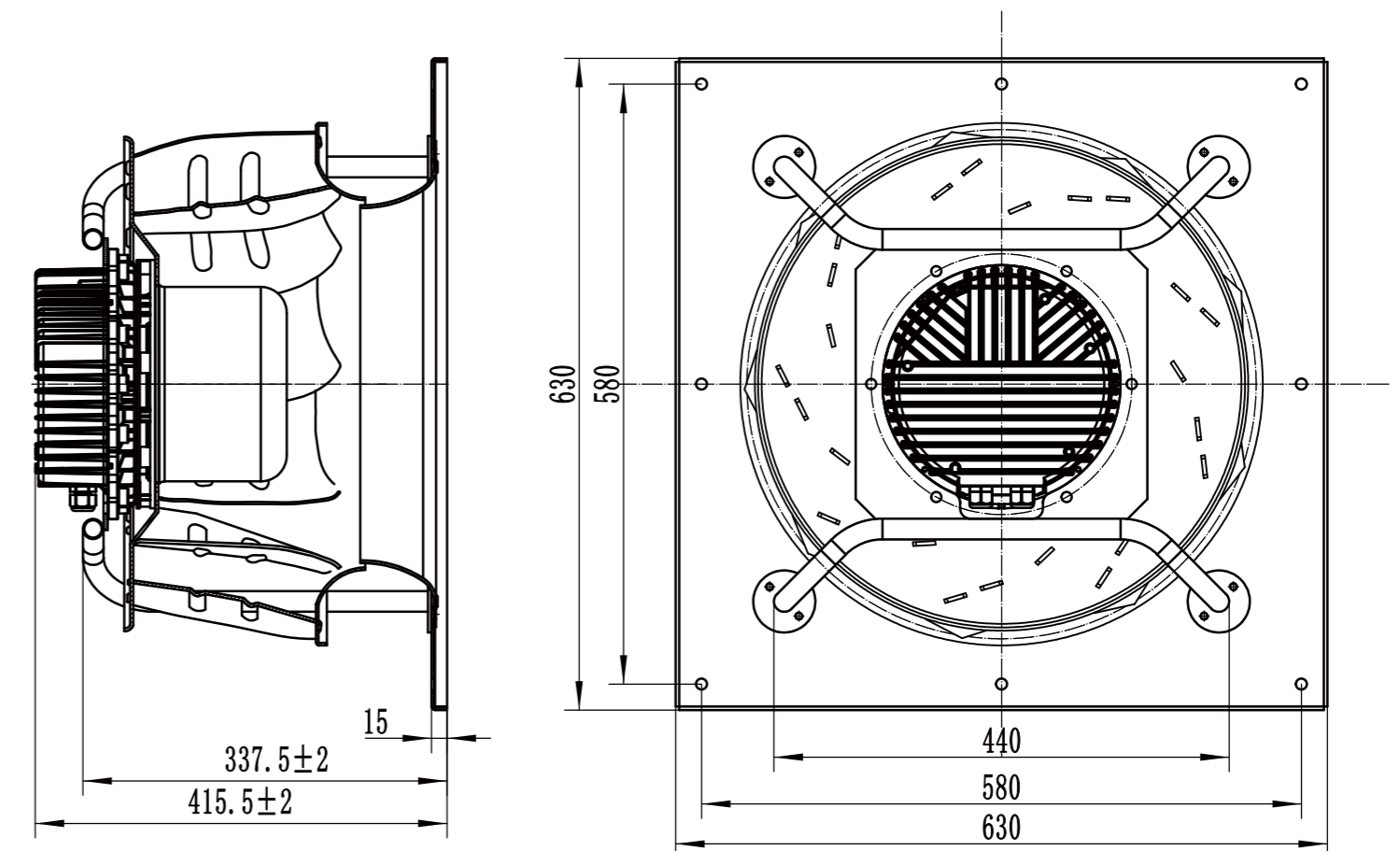
Model	Voltage (V)	Input Power (W)	Current (A)	Air Volume (m³/h)	Static Pressure (Pa)	Speed (RPM)	Noise [dB(A)]
LWBE3G500-188PT-07	400	2400	4.9	10305	903	1705	/



LWBE3G500-188NT-14 (without bracket)



LWBE3G500-188PT-07 (with bracket)



LWBE-500 Series



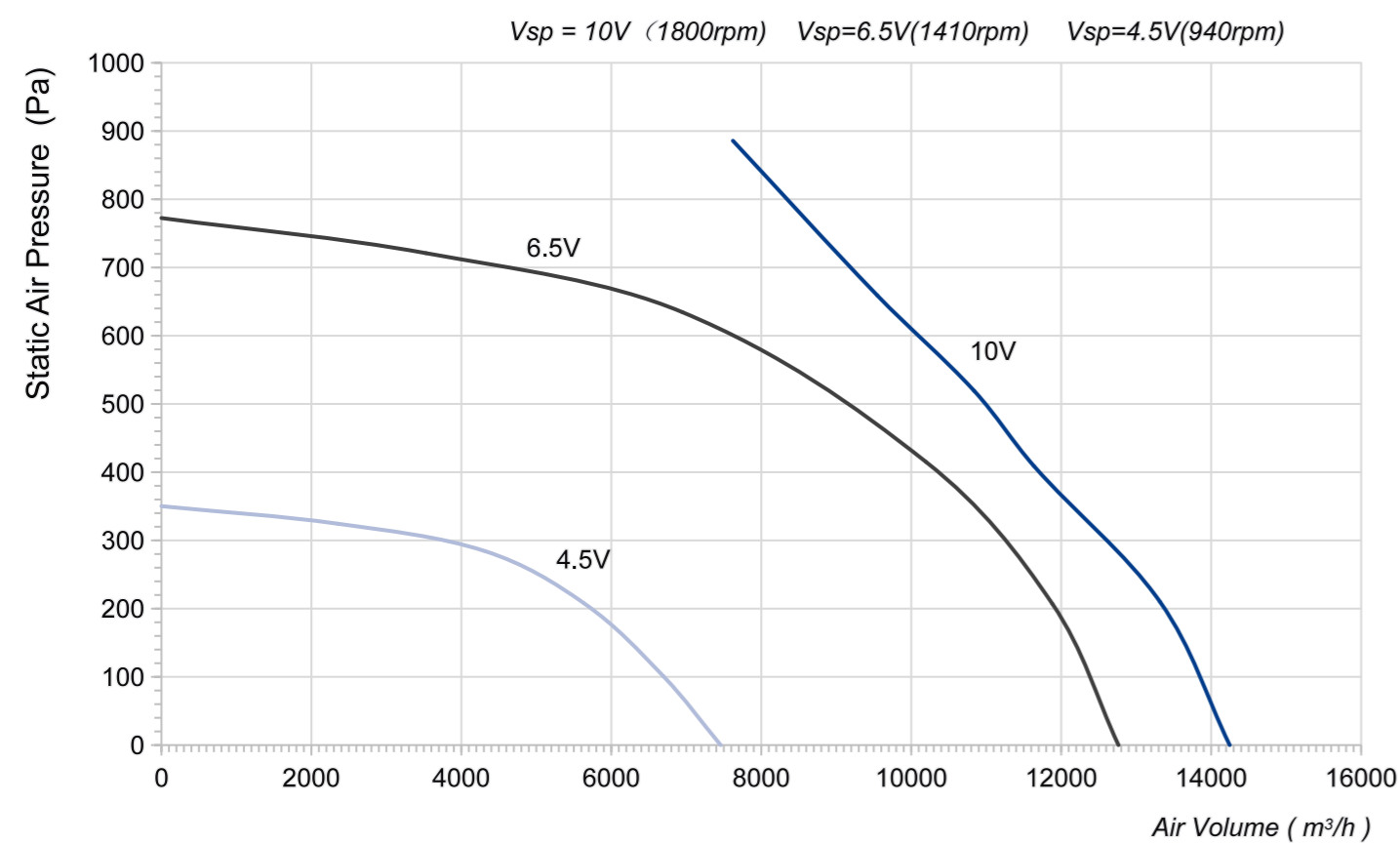
Product Characteristic

- Impeller Material: Aluminum Alloy
- Supply Voltage: 400V,50/60Hz
- Mode Of Operation: S1
- Protection Class: IP54
- Insulation Class: F
- Operation Temperature: -25℃ ~ +60℃
- Technical Feature: Control input 0-10VDC/PWM, Tech output, Locked-Rotor protection, Reverse Polarity Over-voltage protection, Soft Start Protection.

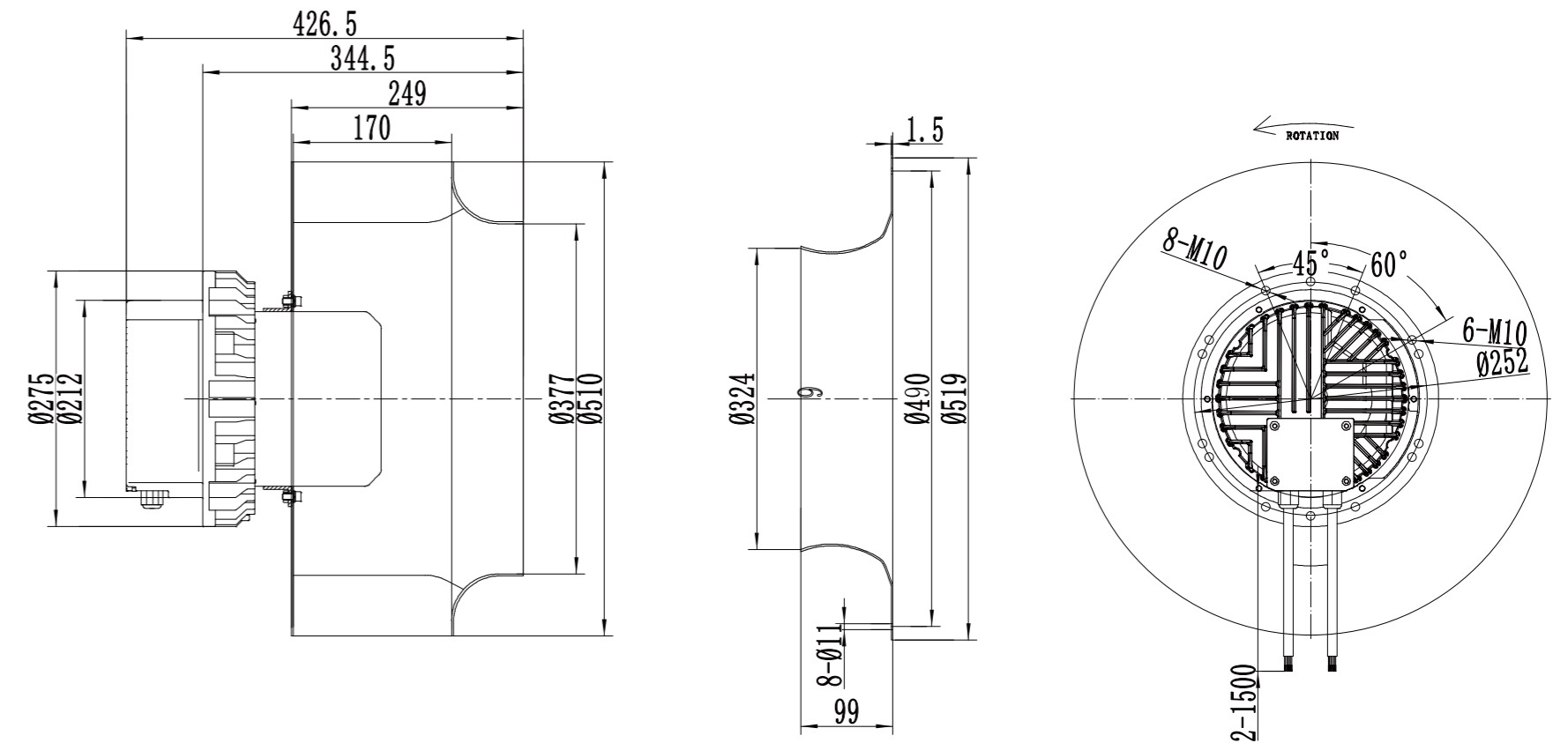


Technical Specifications

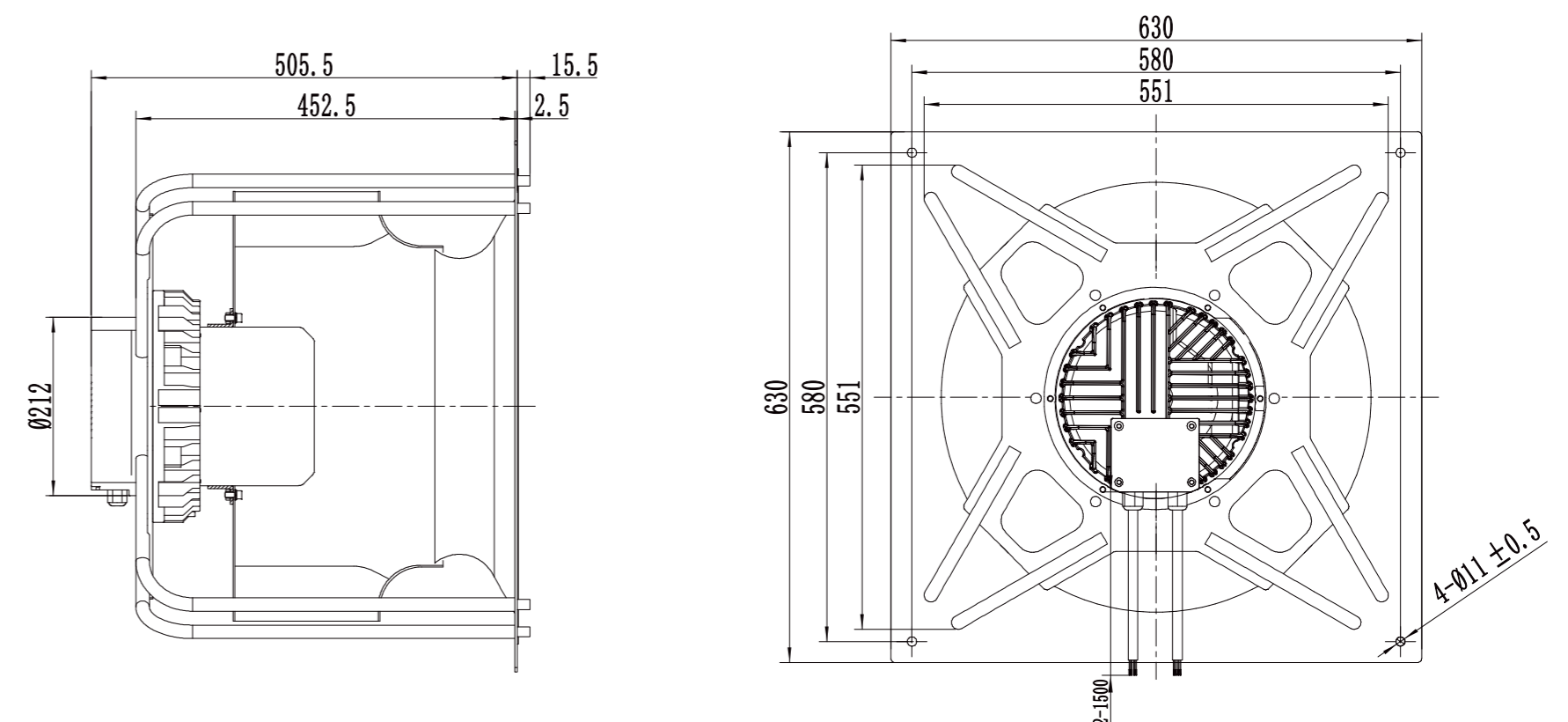
Model	Voltage (V)	Input Power (W)	Current (A)	Air Volume (m³/h)	Static Pressure (Pa)	Speed (RPM)	Noise [dB(A)]
LWBE3G500-188PT-04	400	3000	4.95	14214	886	1800	89



LWBE3G500-188NT-08 (without bracket)



LWBE3G500-188PT-04 (with bracket)



LWBE-500 Series

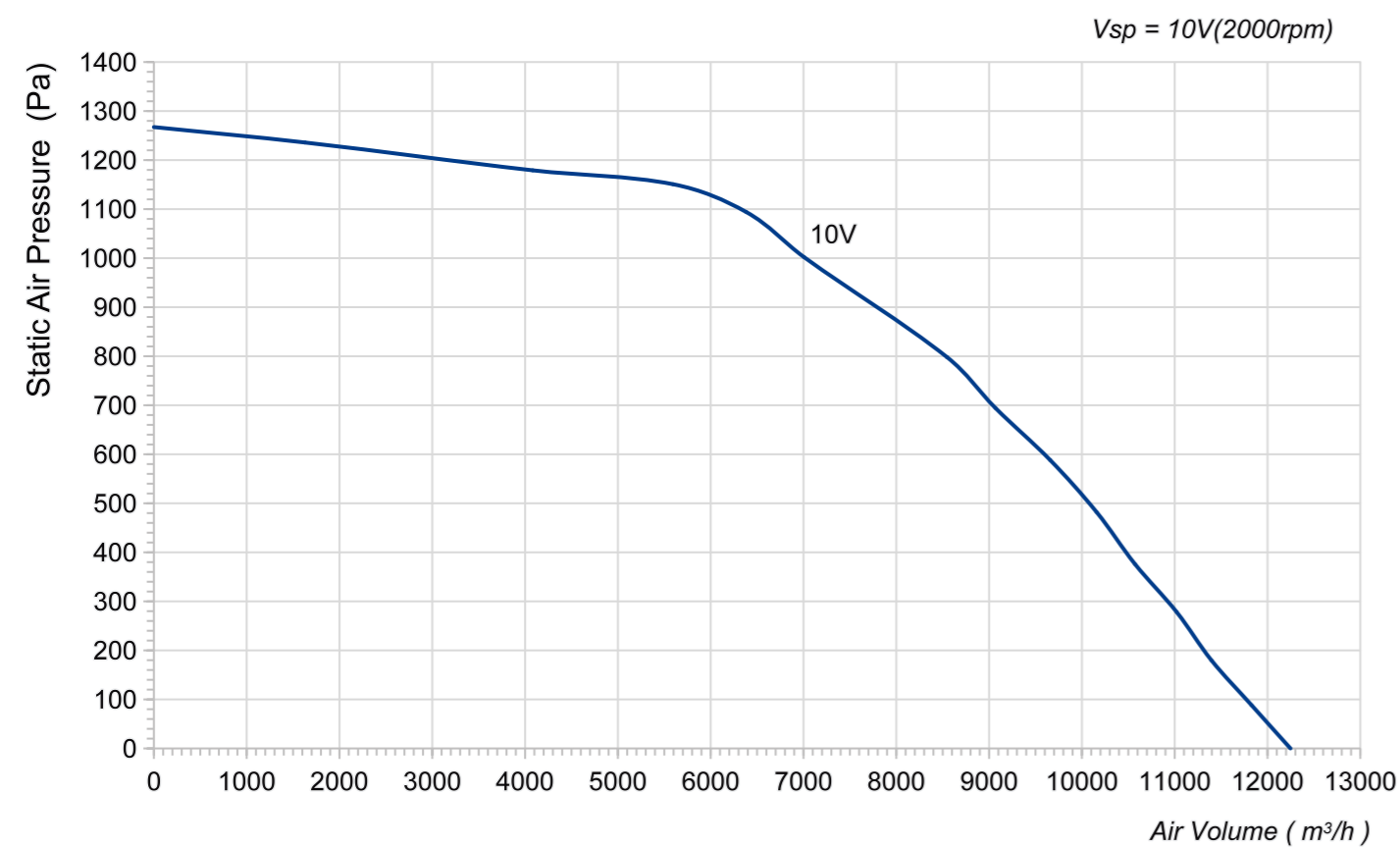
Product Characteristic

- Impeller Material: Aluminum Alloy
- Supply Voltage: 400V,50/60Hz
- Mode Of Operation: S1
- Protection Class: IP54
- Insulation Class: F
- Operation Temperature: -25°C ~ +60°C
- Technical Feature: Control input 0-10VDC/PWM, Tech output, Locked-Rotor protection, Reverse Polarity Over-voltage protection, Soft Start Protection.

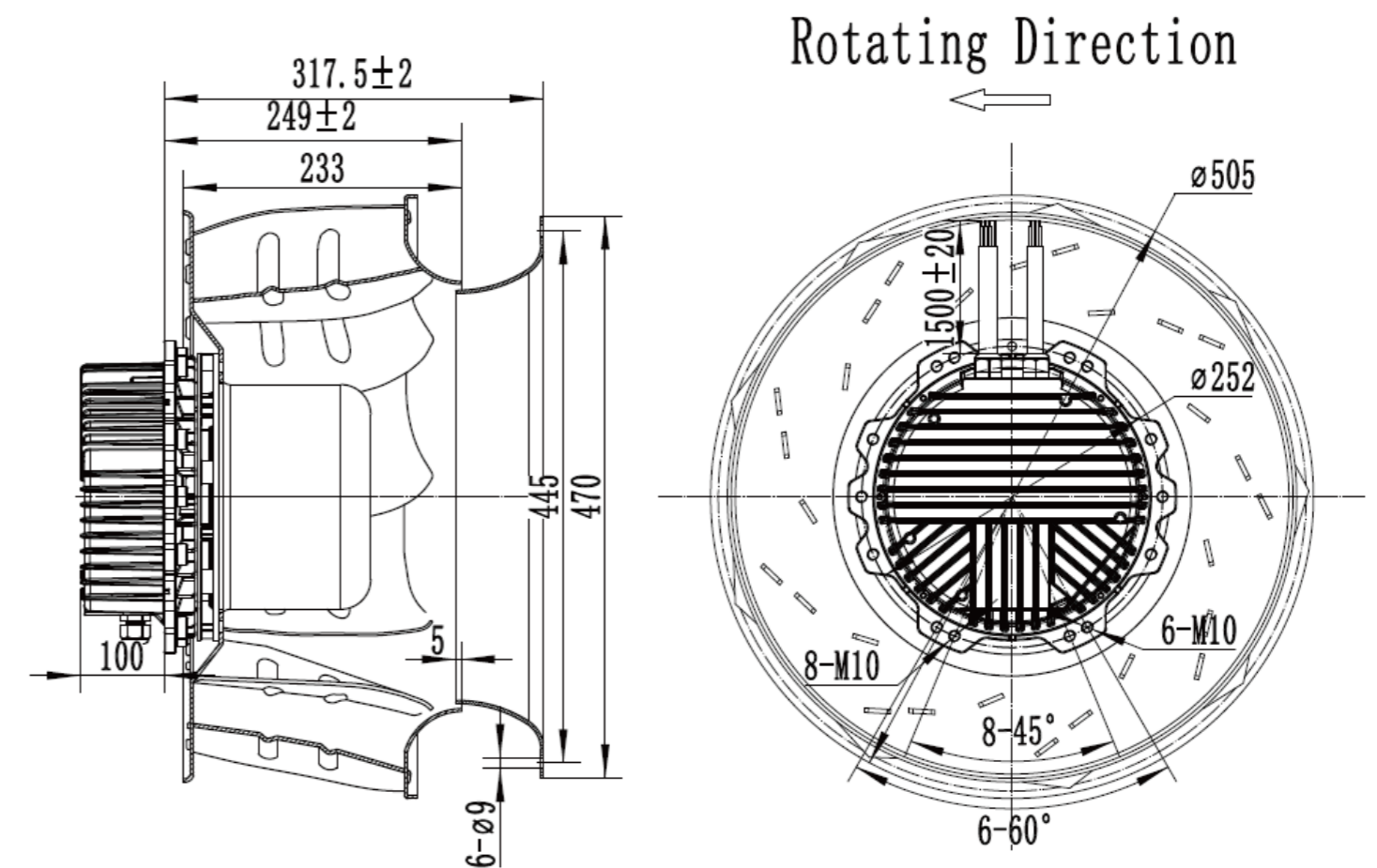


Technical Specifications

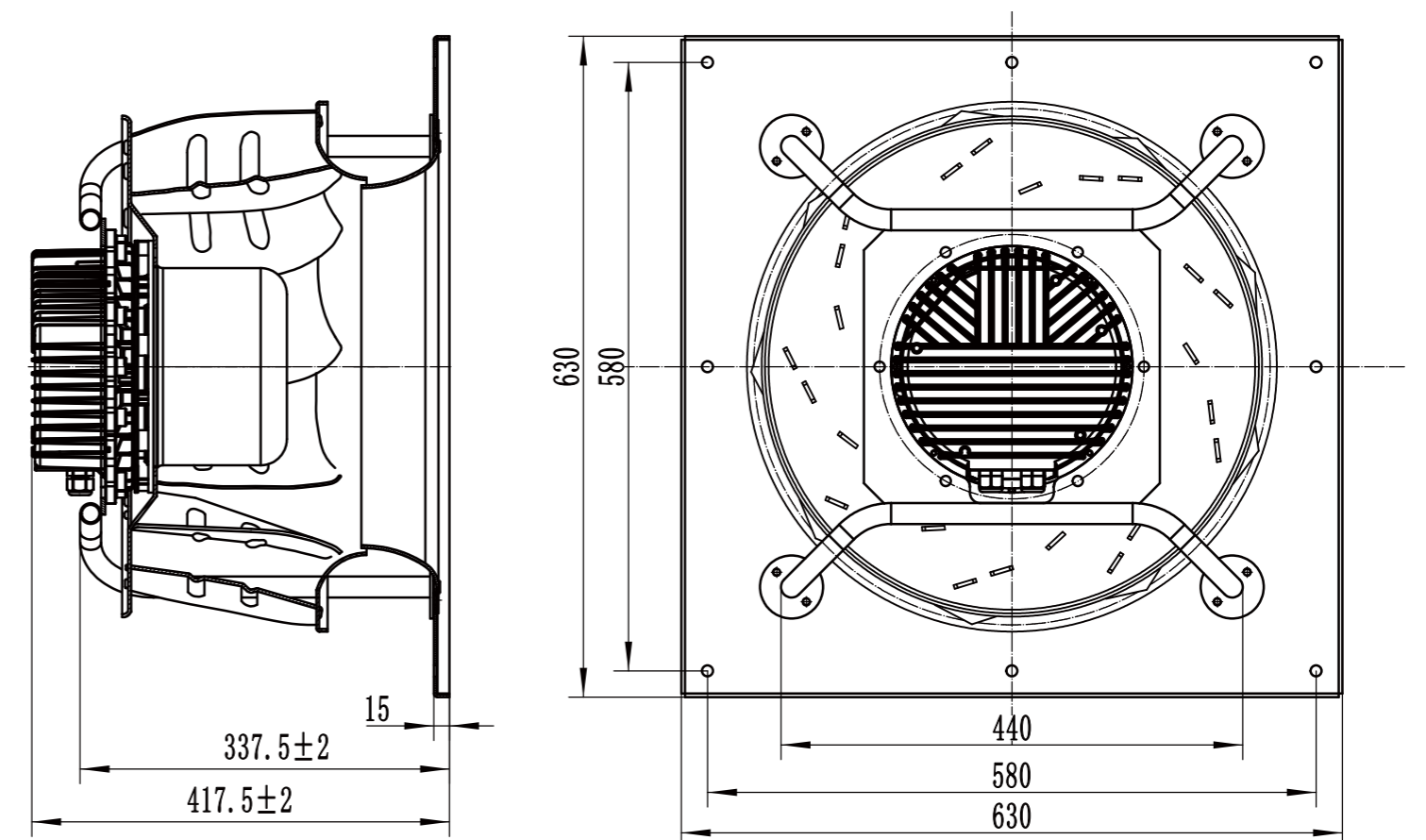
Model	Voltage (V)	Input Power (W)	Current (A)	Air Volume (m³/h)	Static Pressure (Pa)	Speed (RPM)	Noise [dB(A)]
LWBE3G500-188PT-02	400	3955	8.6	12243	1265	2000	/



LWBE3G500-188NT-09 (without bracket)



LWBE3G500-188PT-02 (with bracket)



LWBE-500 Series

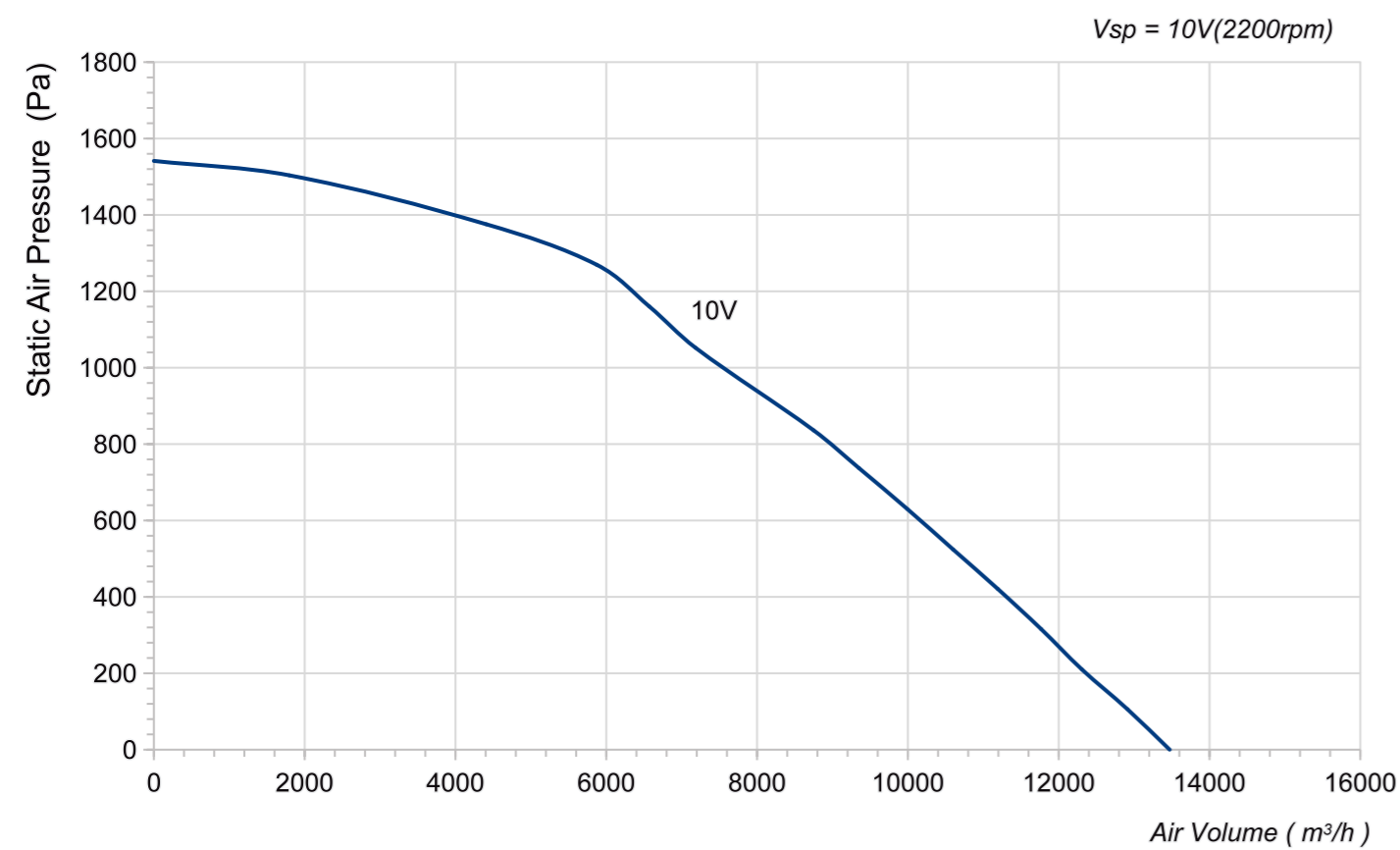
Product Characteristic

- Impeller Material: Aluminum Alloy
- Supply Voltage: 400V,50/60Hz
- Mode Of Operation: S1
- Protection Class: IP54
- Insulation Class: F
- Operation Temperature: -25°C ~ +60°C
- Technical Feature: Control input 0-10VDC/PWM, Tech output, Locked-Rotor protection, Reverse Polarity Over-voltage protection, Soft Start Protection.

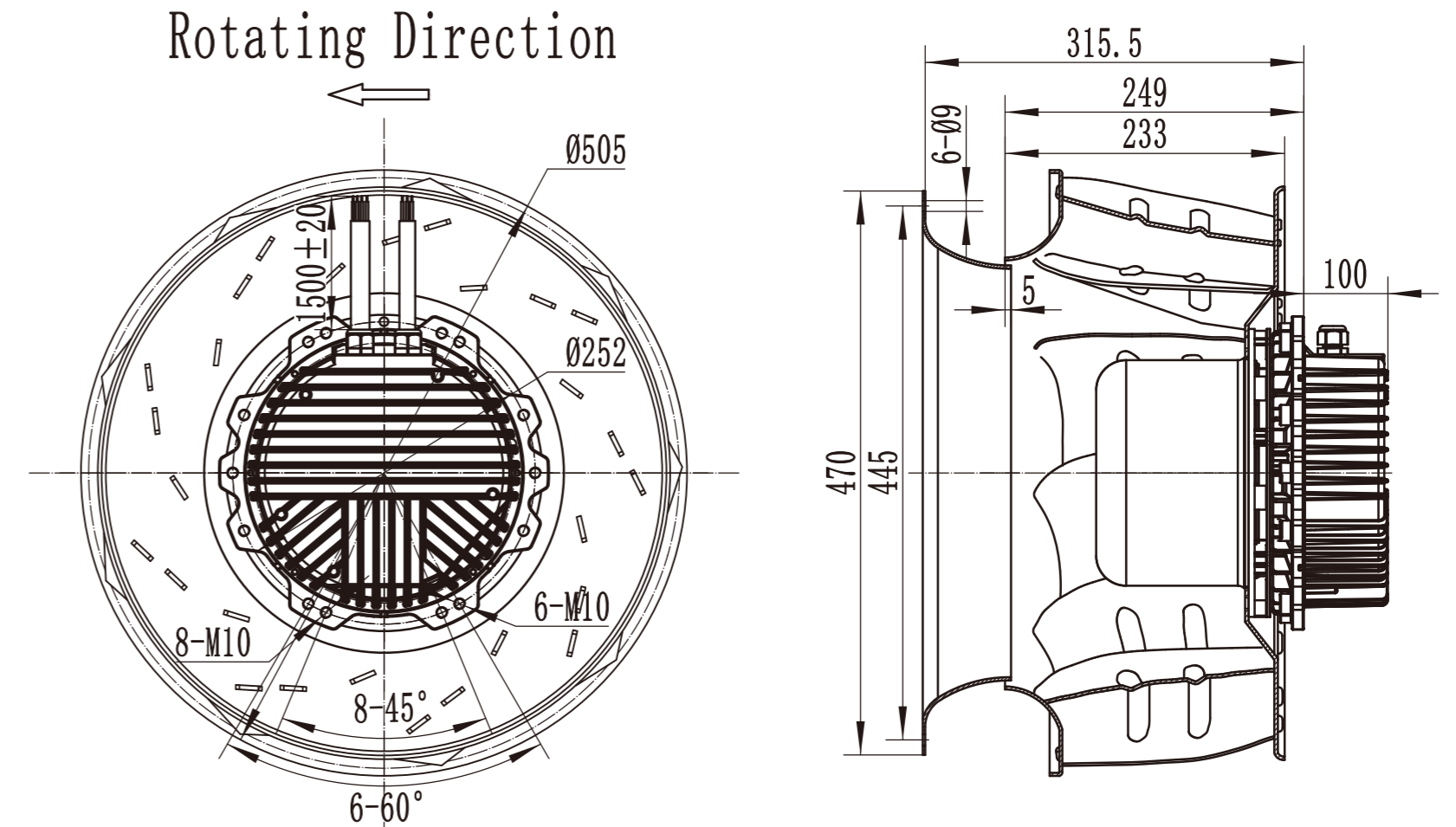


Technical Specifications

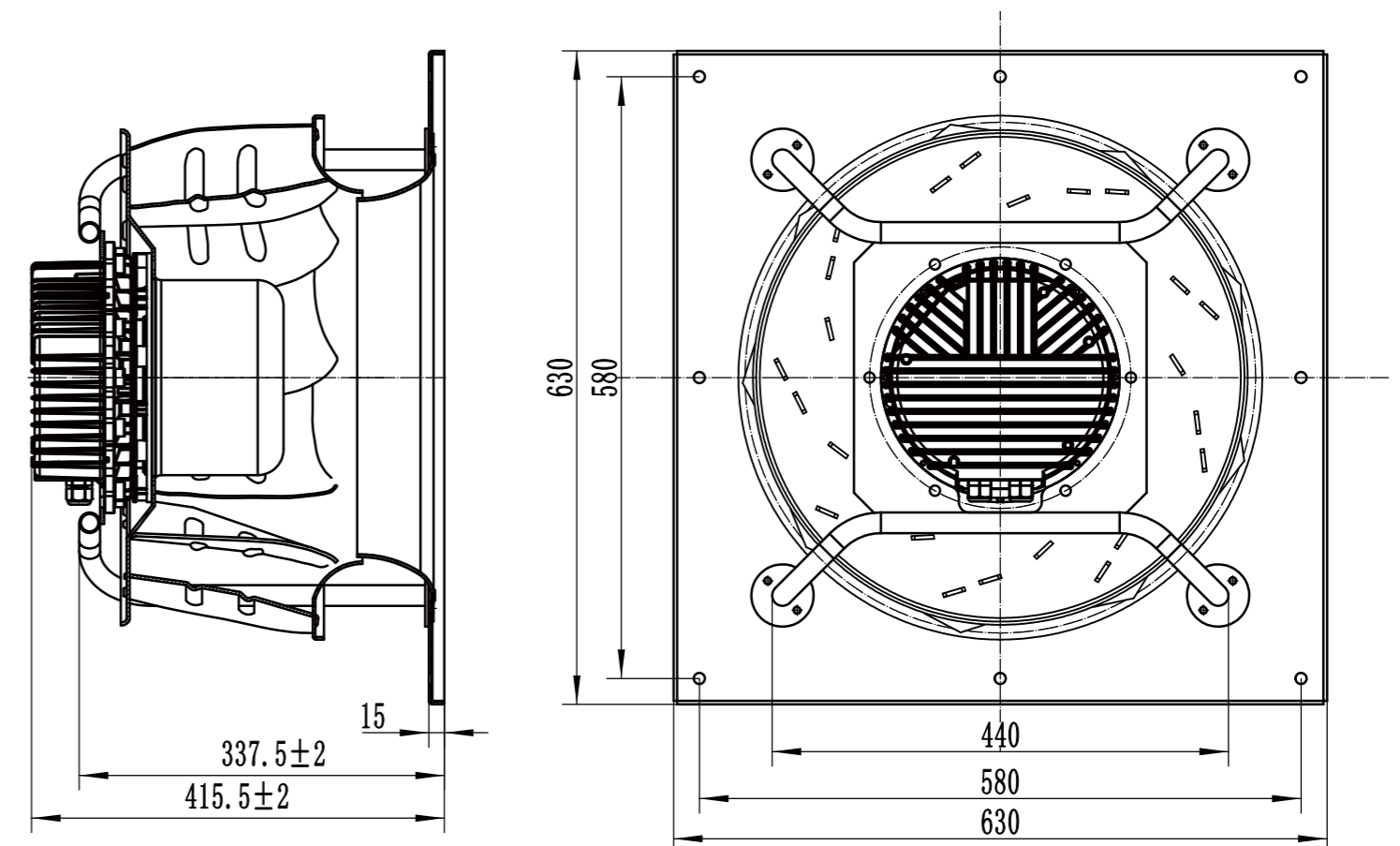
Model	Voltage (V)	Input Power (W)	Current (A)	Air Volume (m³/h)	Static Pressure (Pa)	Speed (RPM)	Noise [dB(A)]
LWBE3G500-188PT-05	400	4270	9.3	13472	1541	2200	/



LWBE3G500-188NT-10 (without bracket)



LWBE3G500-188PT-05 (with bracket)



LWBE-560 Series

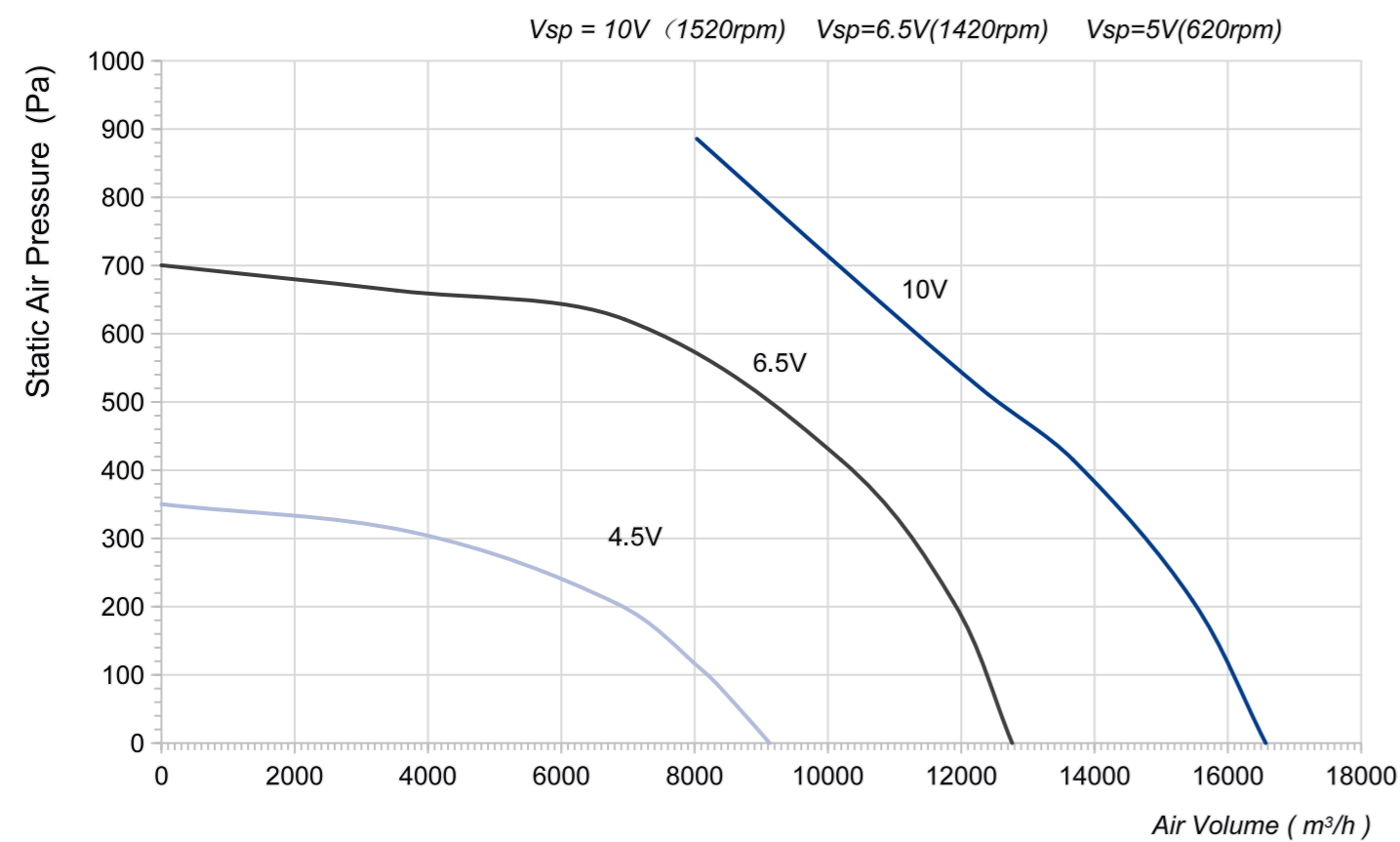
Product Characteristic

- Impeller Material: Aluminum Alloy
- Supply Voltage: 400V,50/60Hz
- Mode Of Operation: S1
- Protection Class: IP54
- Insulation Class: F
- Operation Temperature: -25℃ ~ +60℃
- Technical Feature: Control input 0-10VDC/PWM, Tech output, Locked-Rotor protection, Reverse Polarity Over-voltage protection, Soft Start Protection.

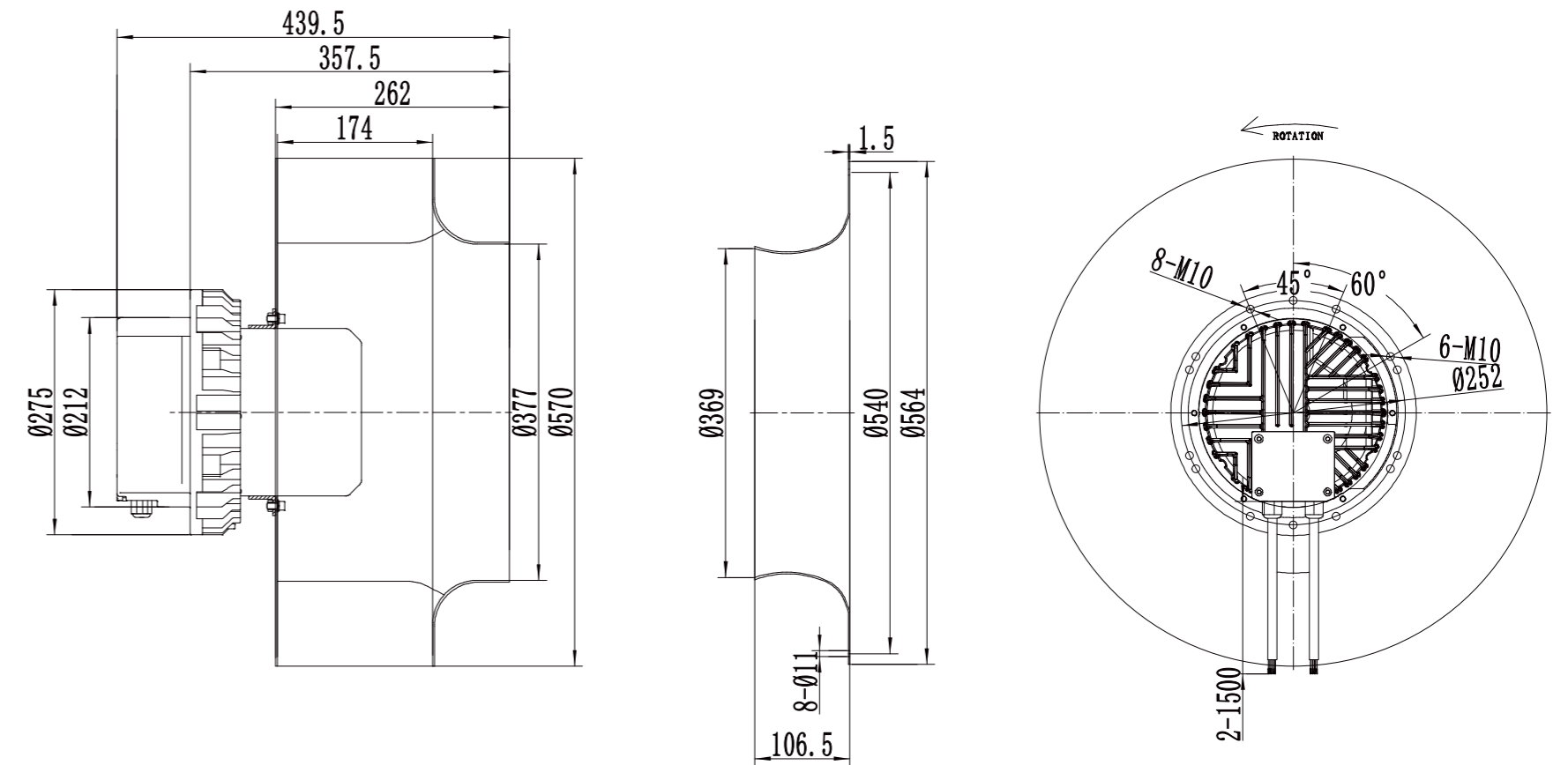


Technical Specifications

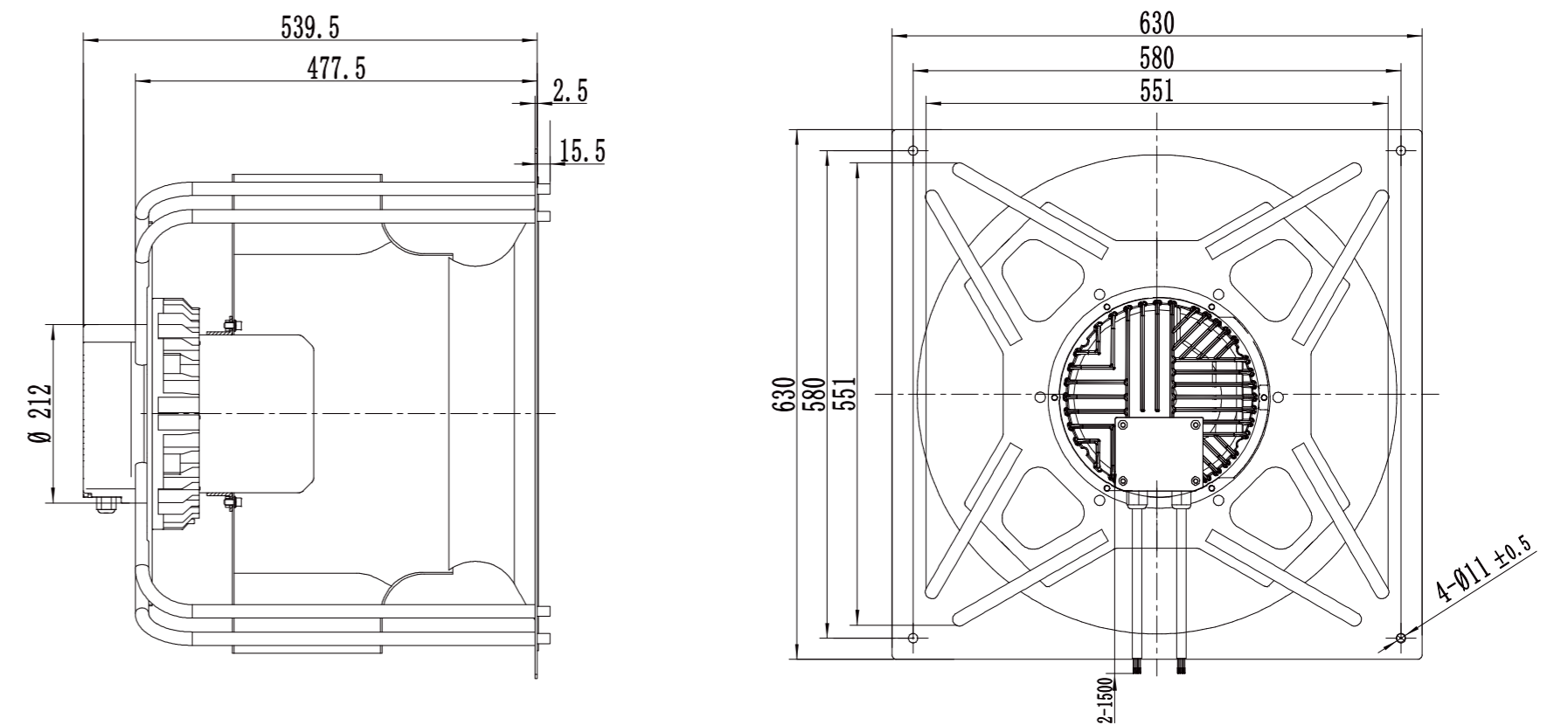
Model	Voltage (V)	Input Power (W)	Current (A)	Air Volume (m³/h)	Static Pressure (Pa)	Speed (RPM)	Noise [dB(A)]
LWBE3G560-188PT-02	400	2770	4.4	16480	886	1520	81



LWBE3G560-188NT-09 (without bracket)



LWBE3G560-188PT-02 (with bracket)



LWBE-560 Series

Product Characteristic

- Impeller Material: Aluminum Alloy
- Supply Voltage: 400V,50/60Hz
- Mode Of Operation: S1
- Protection Class: IP54
- Insulation Class: F
- Operation Temperature: -25℃ ~ +60℃
- Technical Feature: Control input 0-10VDC/PWM, Tech output, Locked-Rotor protection, Reverse Polarity Over-voltage protection, Soft Start Protection.

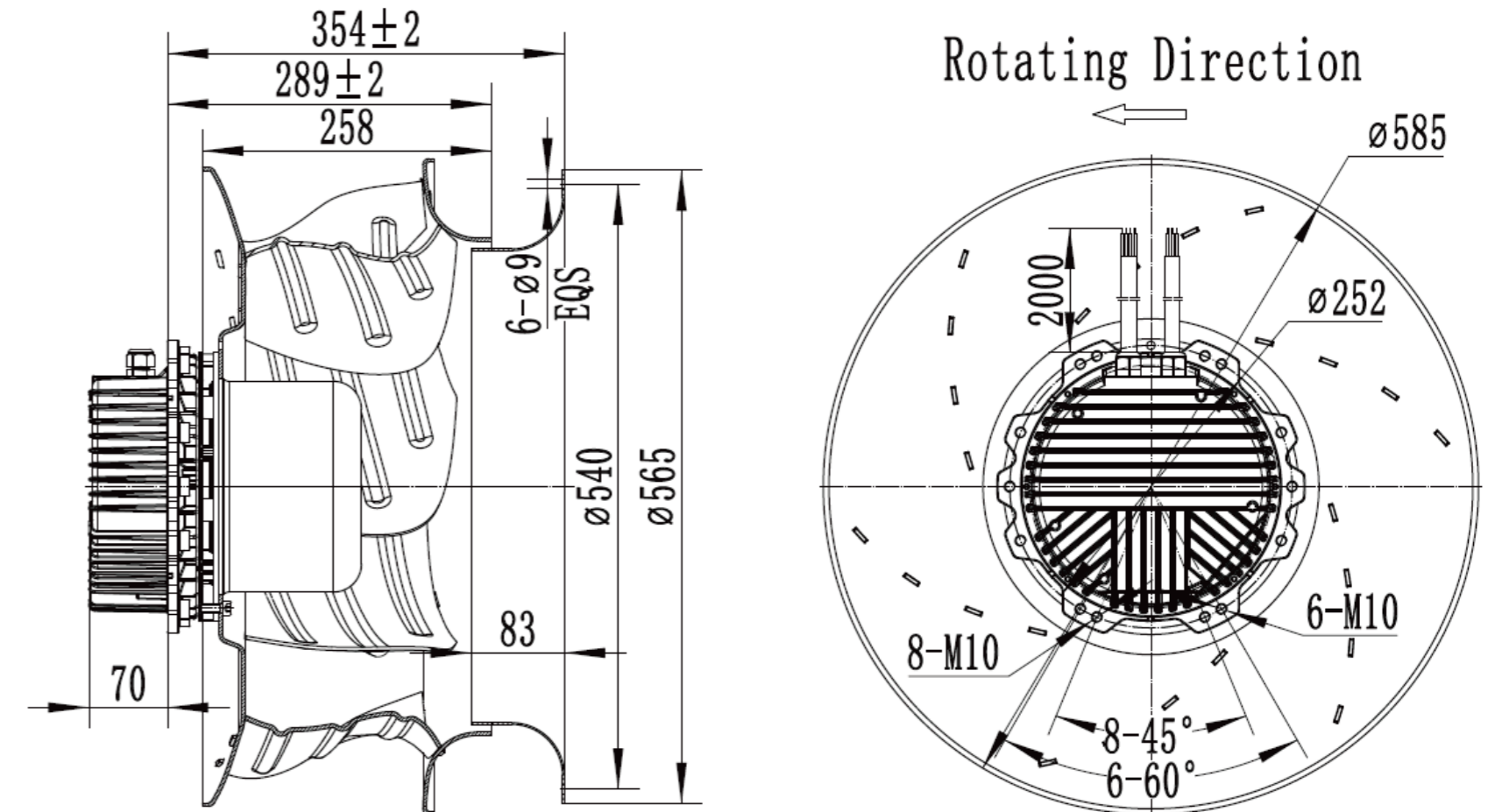


Technical Specifications

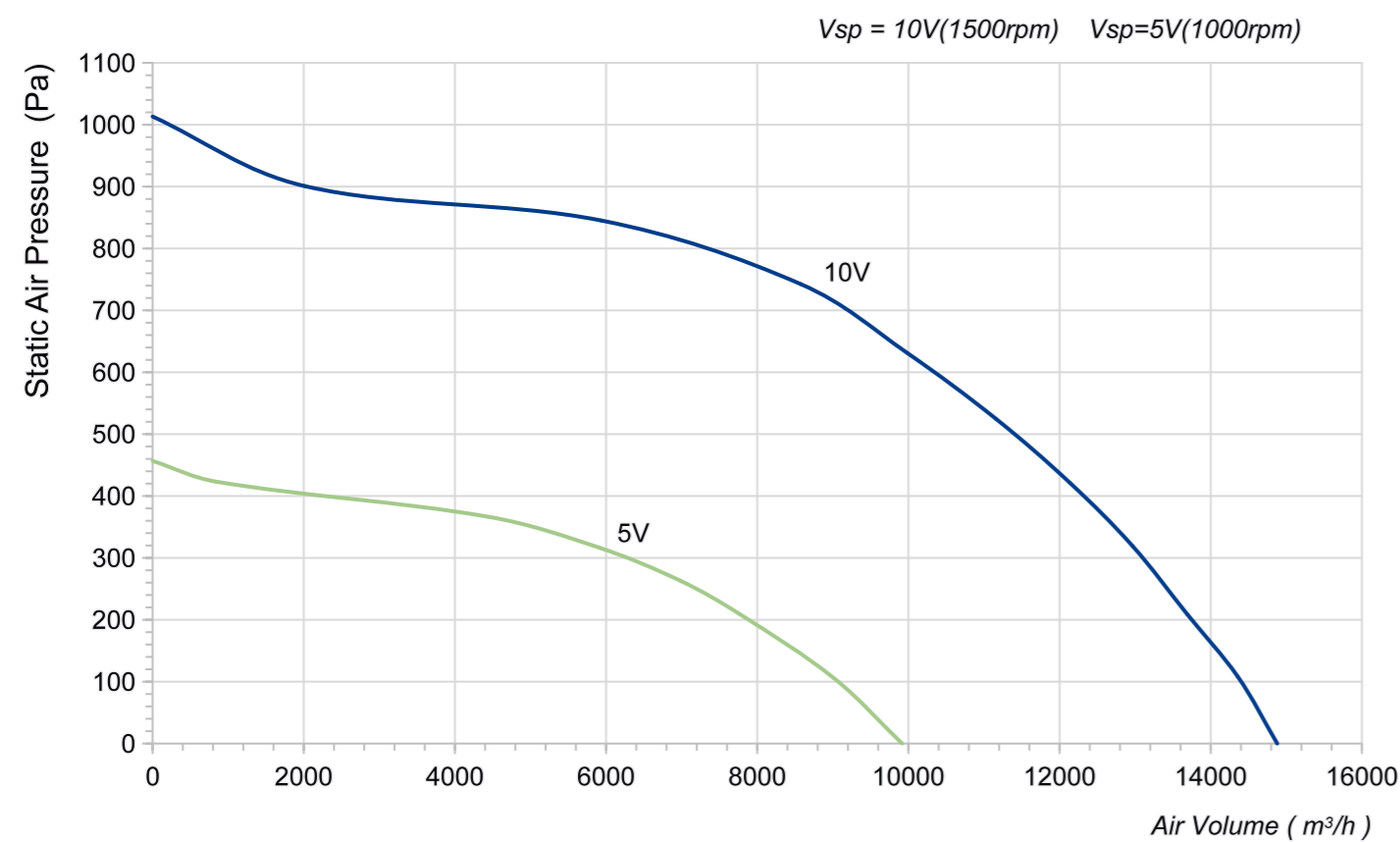
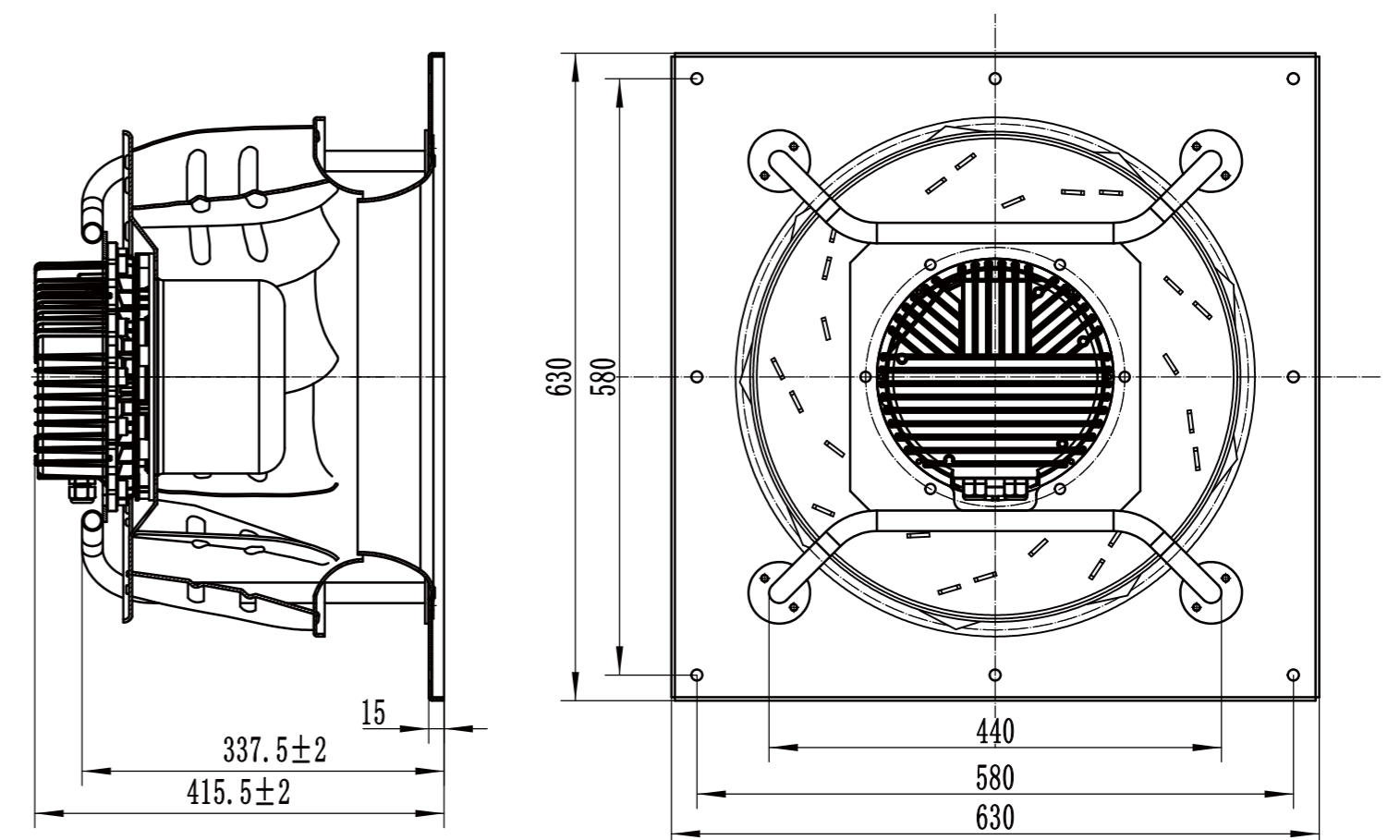
Model	Voltage (V)	Input Power (W)	Current (A)	Air Volume (m³/h)	Static Pressure (Pa)	Speed (RPM)	Noise [dB(A)]
LWBE3G560-188PT-03	400	3000	6.5	14879	1013	1500	/



LWBE3G560-188NT-10 (without bracket)



LWBE3G560-188PT-03 (with bracket)



LWBE-560 Series

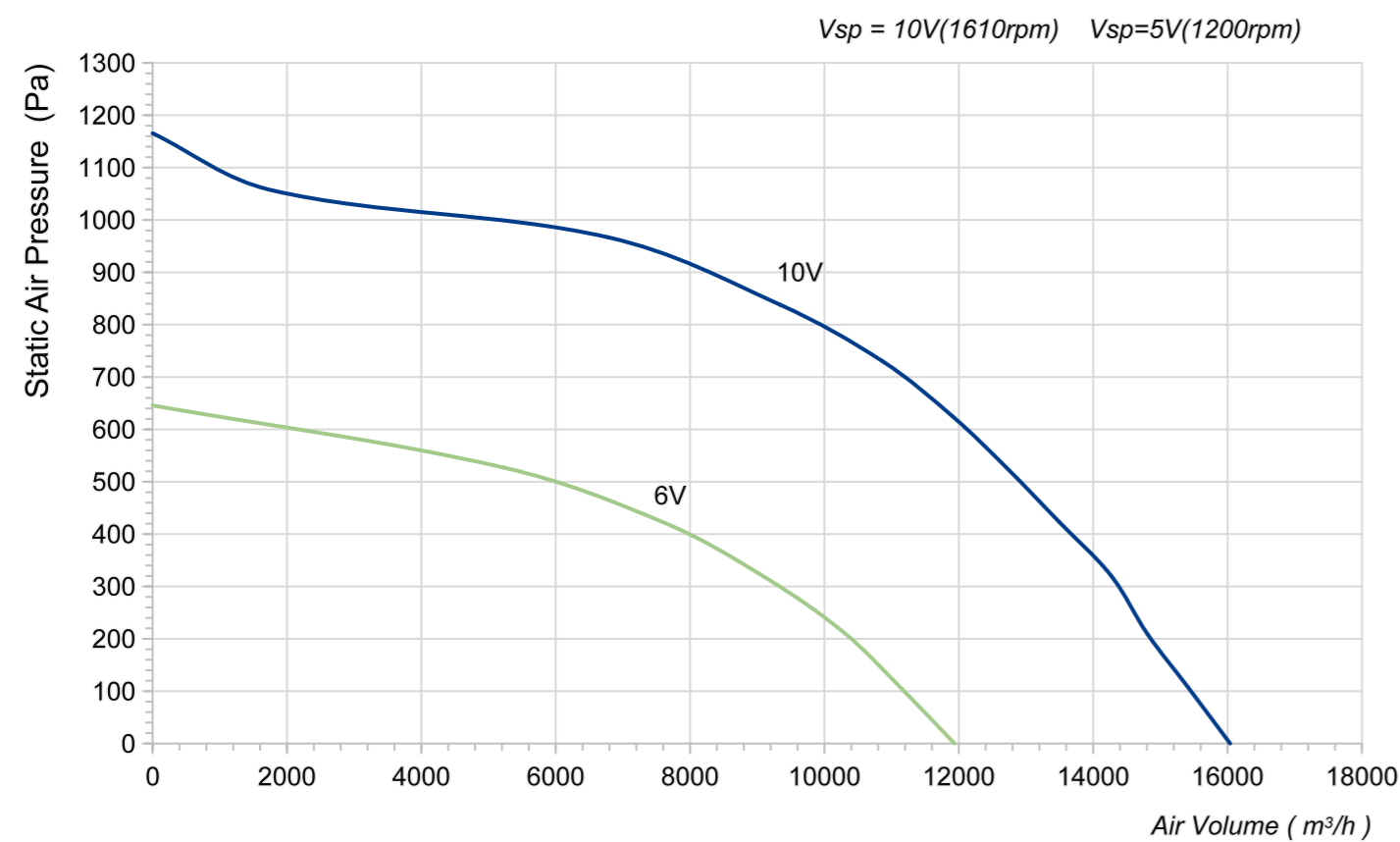
Product Characteristic

- Impeller Material: Aluminum Alloy
- Supply Voltage: 400V,50/60Hz
- Mode Of Operation: S1
- Protection Class: IP54
- Insulation Class: F
- Operation Temperature: -25°C ~ +60°C
- Technical Feature: Control input 0-10VDC/PWM, Tech output, Locked-Rotor protection, Reverse Polarity Over-voltage protection, Soft Start Protection.

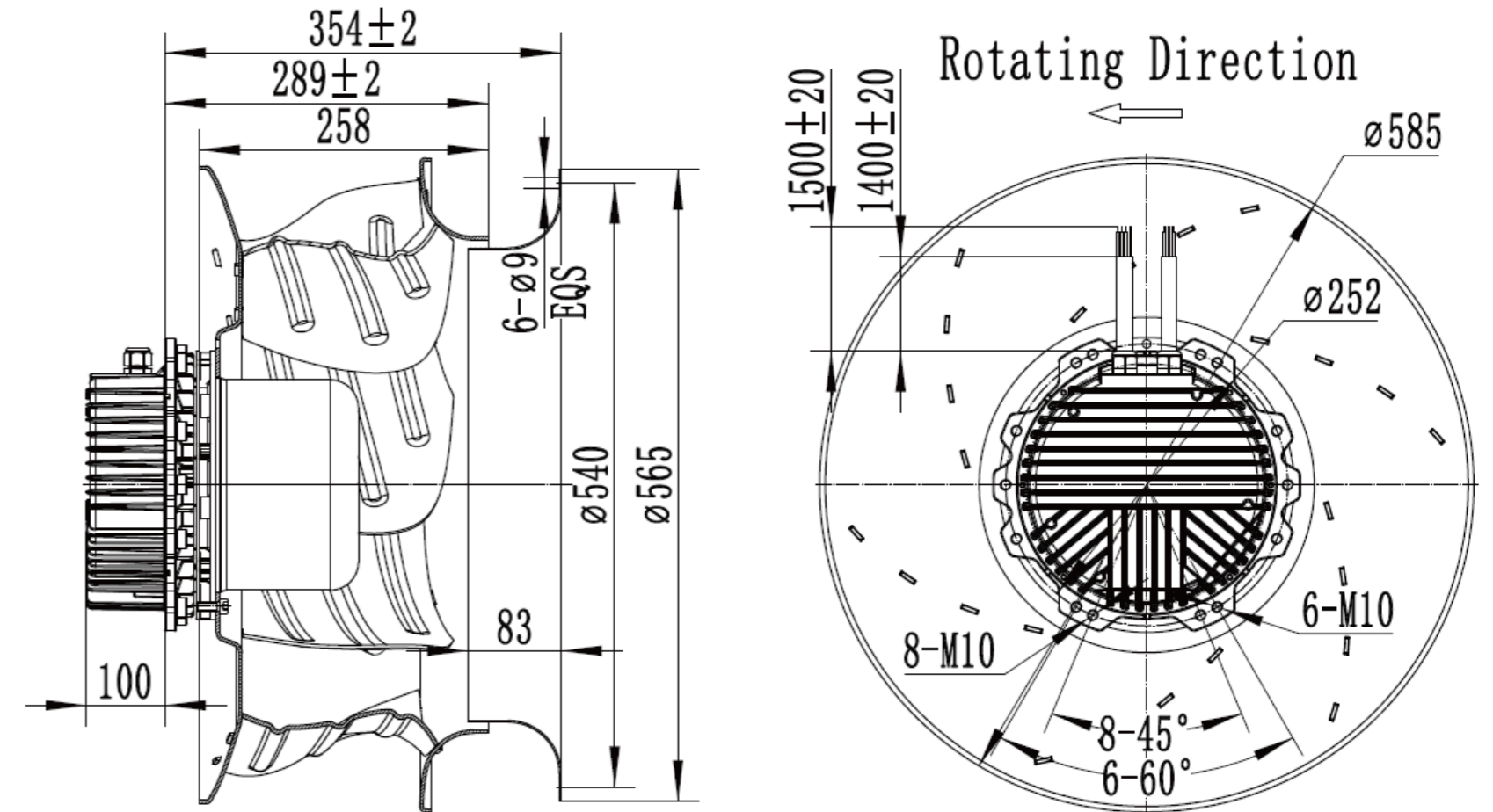


Technical Specifications

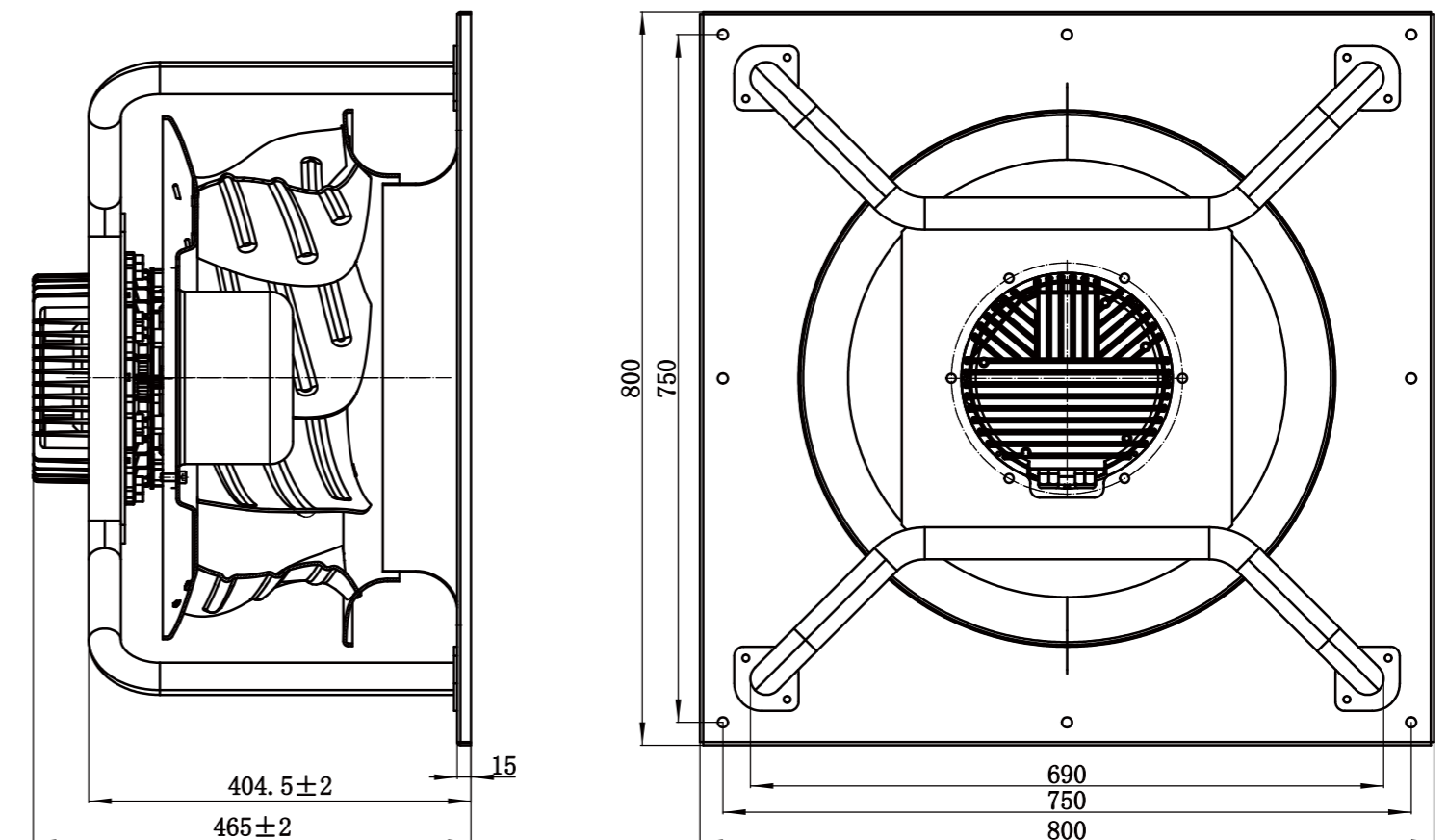
Model	Voltage (V)	Input Power (W)	Current (A)	Air Volume (m³/h)	Static Pressure (Pa)	Speed (RPM)	Noise [dB(A)]
LWBE3G560-188PT-01	400	3665	8	16039	1166	1610	/



LWBE3G560-188NT-01 (without bracket)



LWBE3G560-188PT-01 (with bracket)



LWBE-560 Series

Product Characteristic

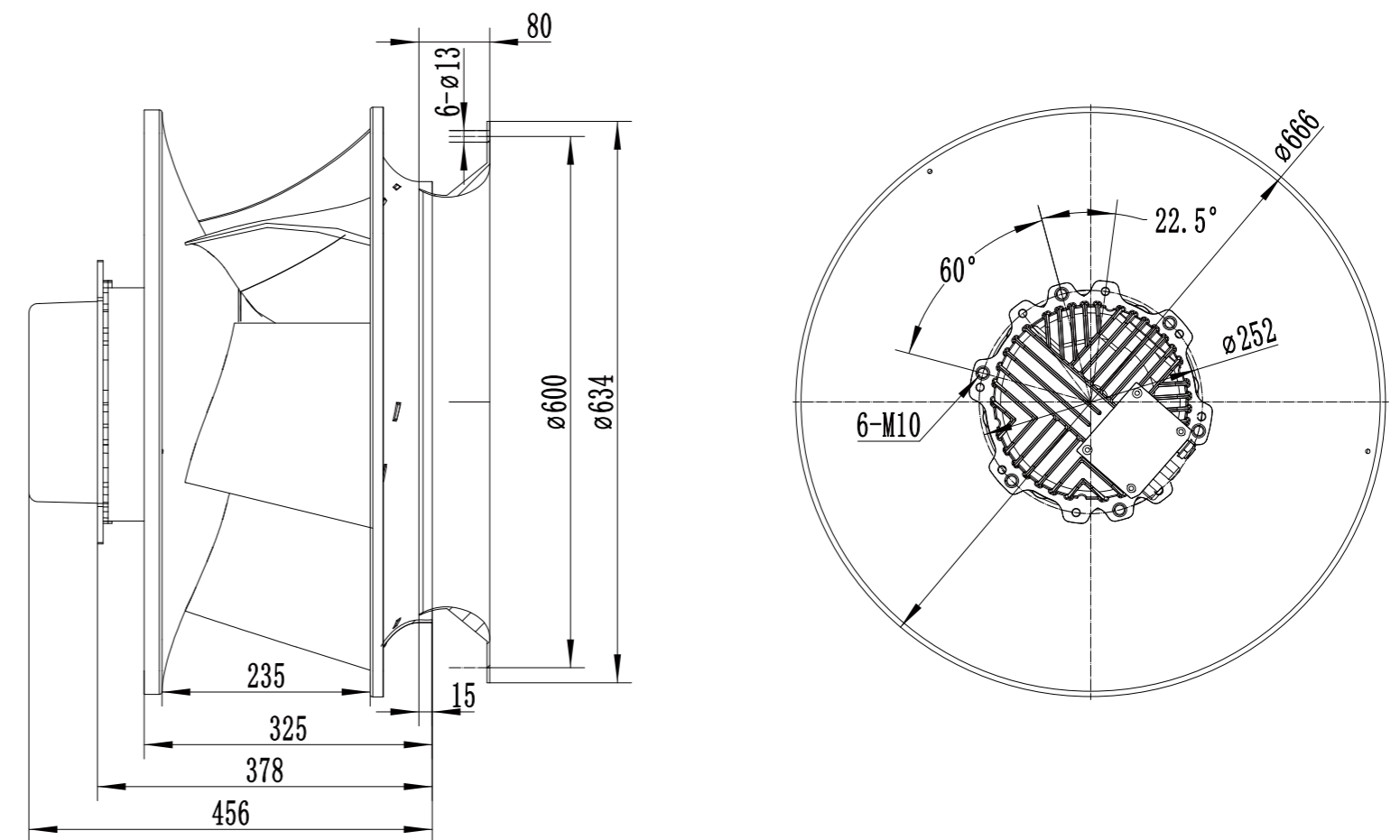
- Impeller Material: Aluminum Alloy
- Supply Voltage: 400V,50/60Hz
- Mode Of Operation: S1
- Protection Class: IP54
- Insulation Class: F
- Operation Temperature: -25℃ ~ +60℃
- Technical Feature: Control input 0-10VDC/PWM, Tech output, Locked-Rotor protection, Reverse Polarity Over-voltage protection, Soft Start Protection.



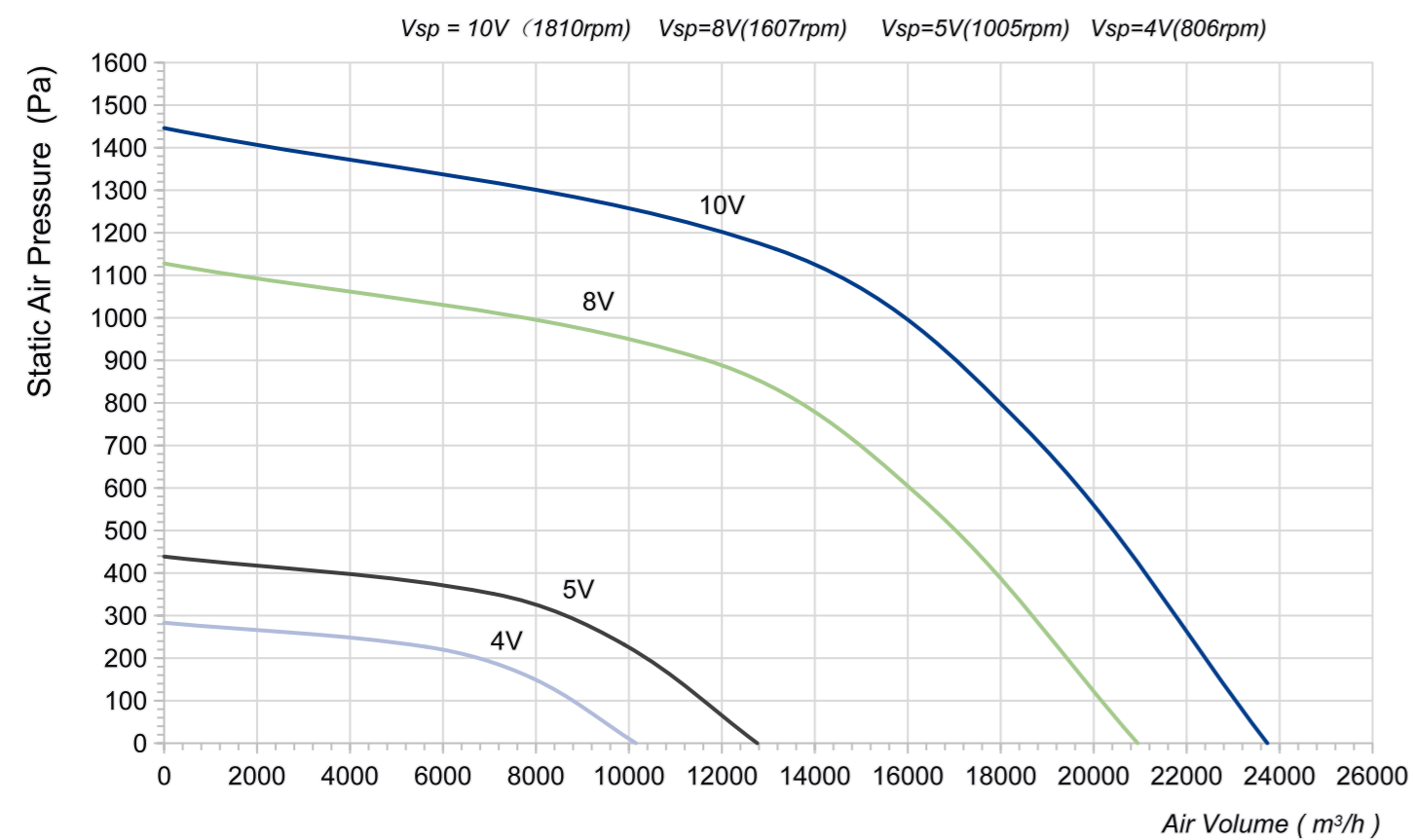
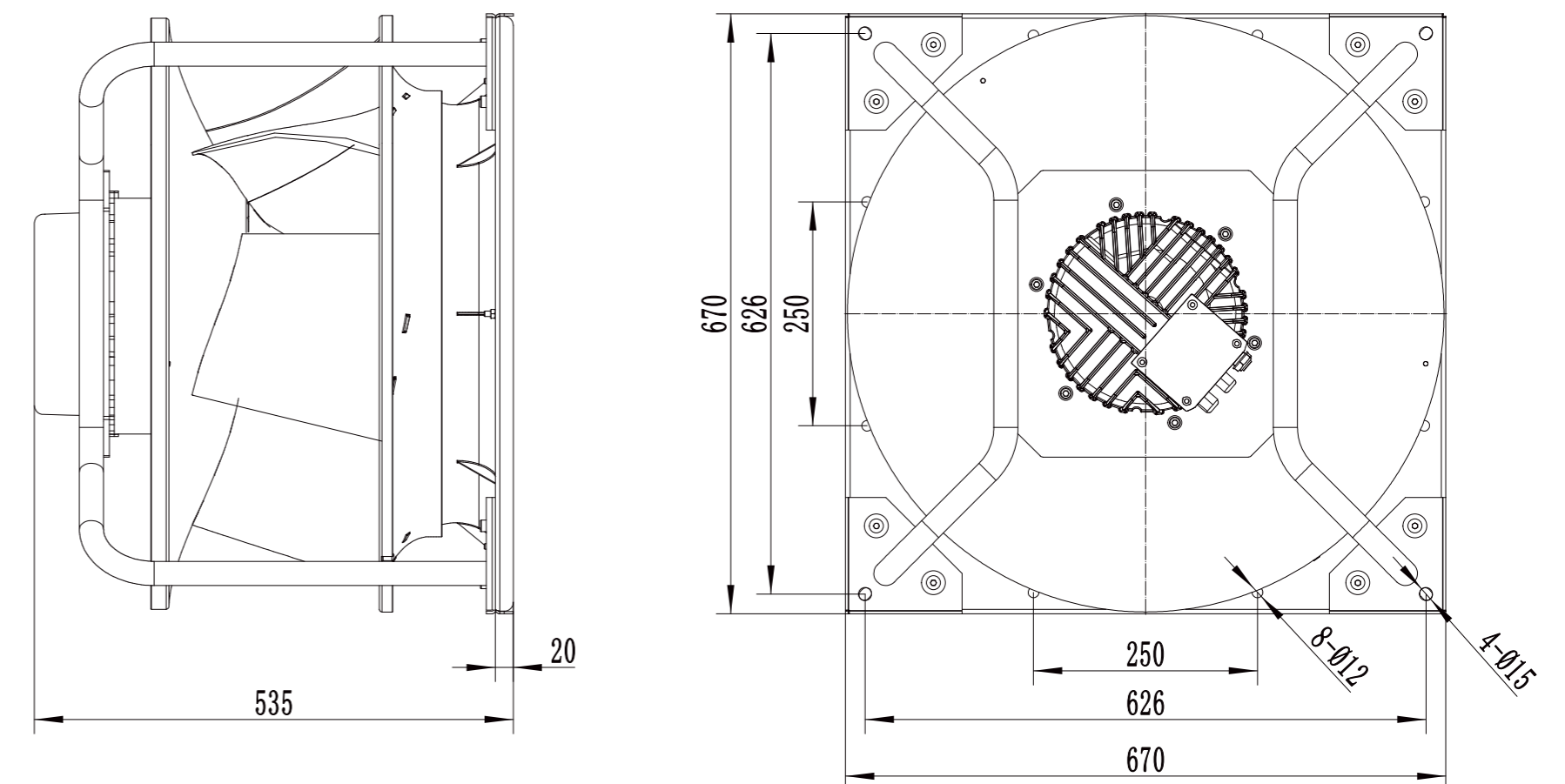
Technical Specifications

Model	Voltage (V)	Input Power (W)	Current (A)	Air Volume (m³/h)	Static Pressure (Pa)	Speed (RPM)	Noise [dB(A)]
LWBE3G560-218PT-06	400	5955	9.5	23896	1442	1810	/

LWBE3G560-218NT-13 (without bracket)



LWBE3G560-218PT-06 (with bracket)



LWBE-630 Series

Product Characteristic

- Impeller Material: Aluminum Alloy
- Supply Voltage: 400V,50/60Hz
- Mode Of Operation: S1
- Protection Class: IP54
- Insulation Class: F
- Operation Temperature: -25℃ ~ +60℃
- Technical Feature: Control input 0-10VDC/PWM, Tech output, Locked-Rotor protection, Reverse Polarity Over-voltage protection, Soft Start Protection.

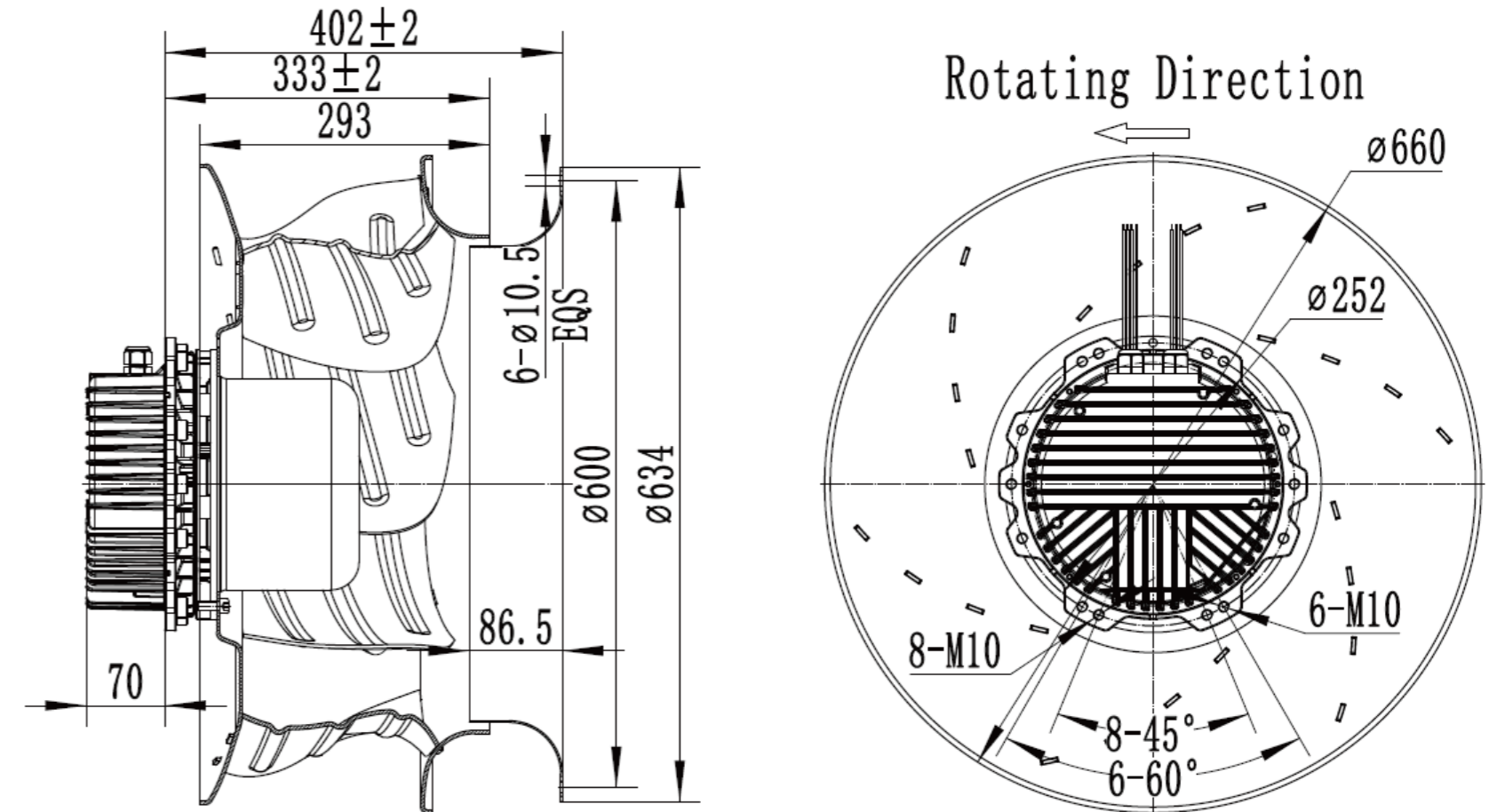


Technical Specifications

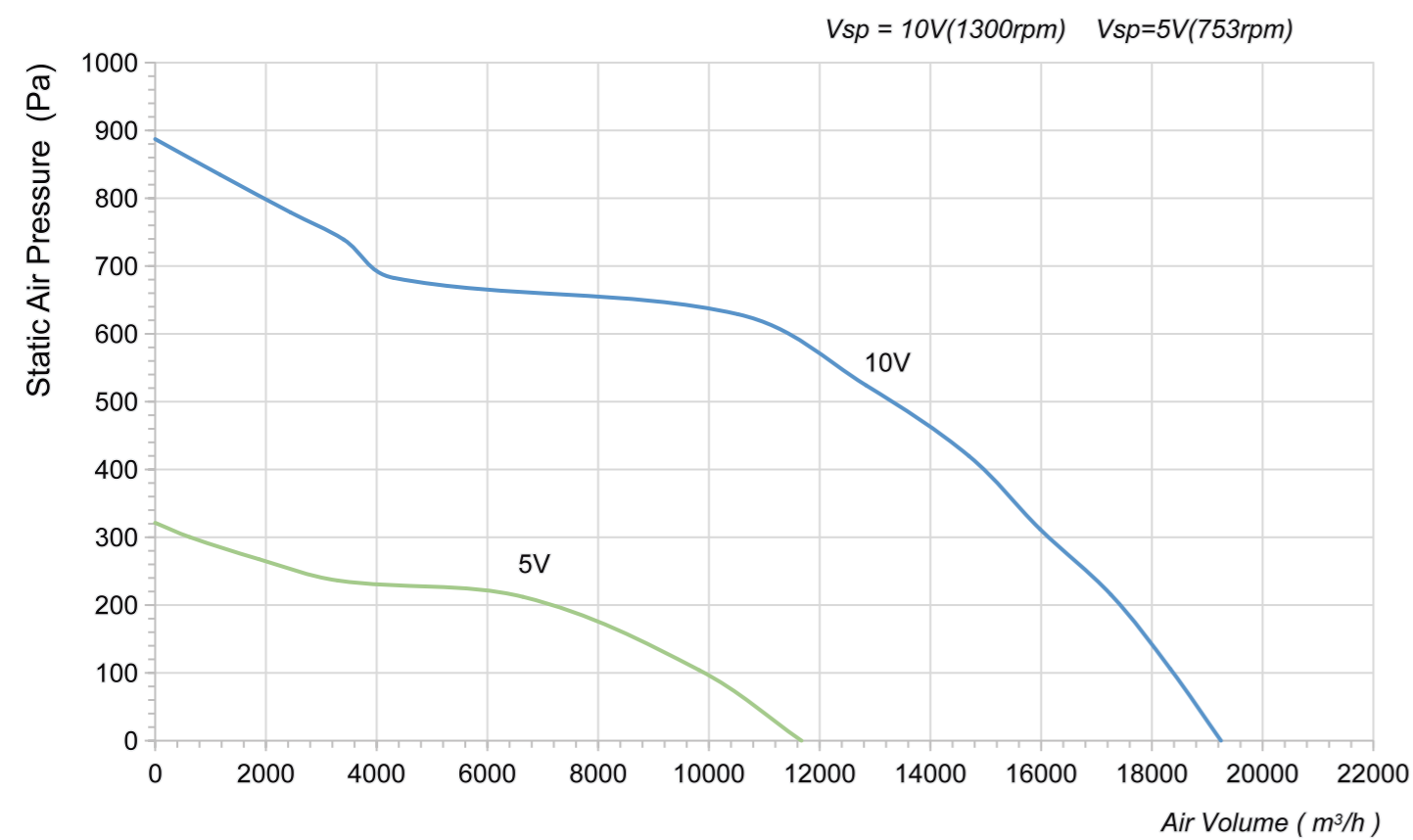
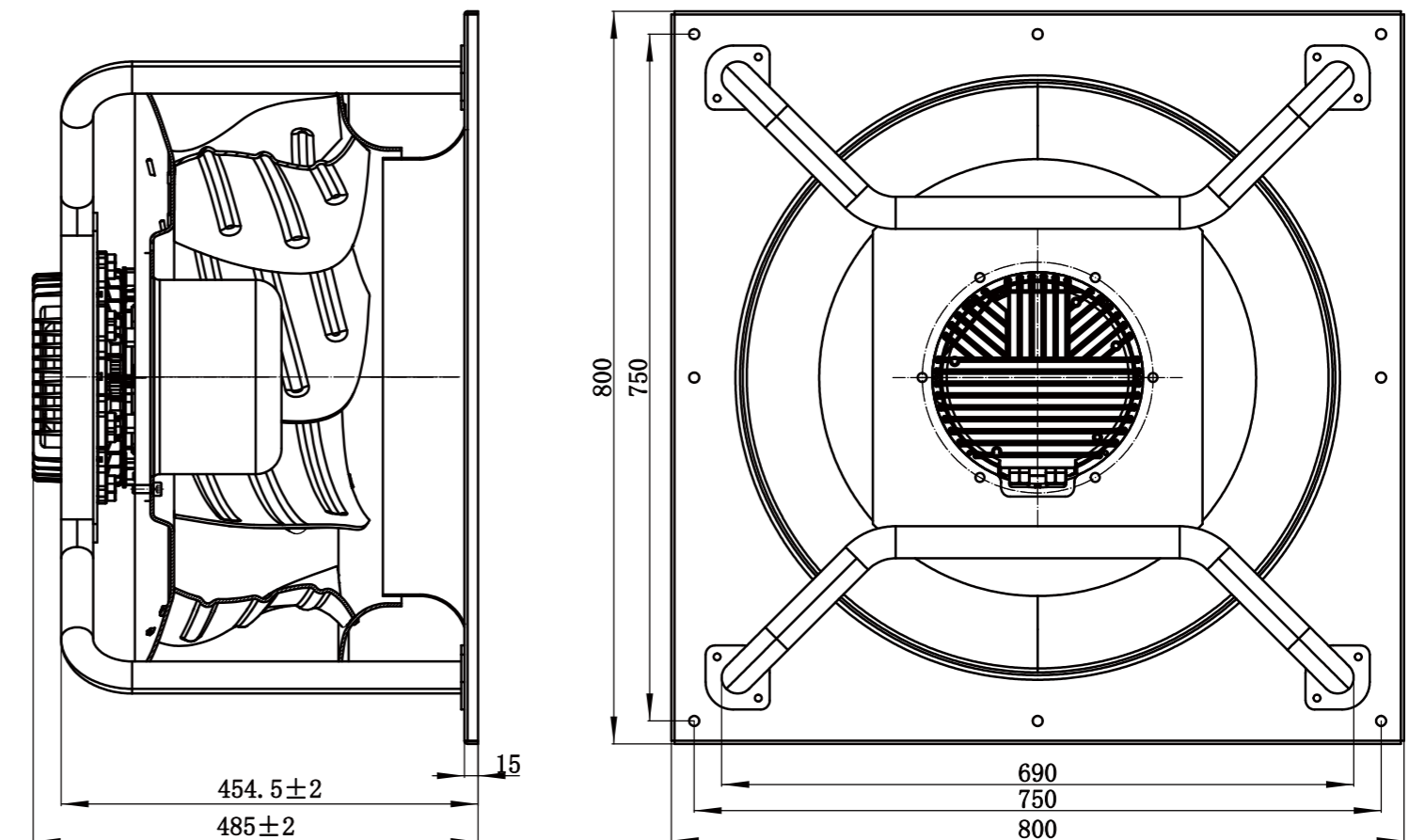
Model	Voltage (V)	Input Power (W)	Current (A)	Air Volume (m³/h)	Static Pressure (Pa)	Speed (RPM)	Noise [dB(A)]
LWBE3G630-188PT-01	400	2975	6.5	19247	887	1300	/



LWBE3G630-188NT-06 (without bracket)



LWBE3G630-188PT-01 (with bracket)



LWBE-630 Series

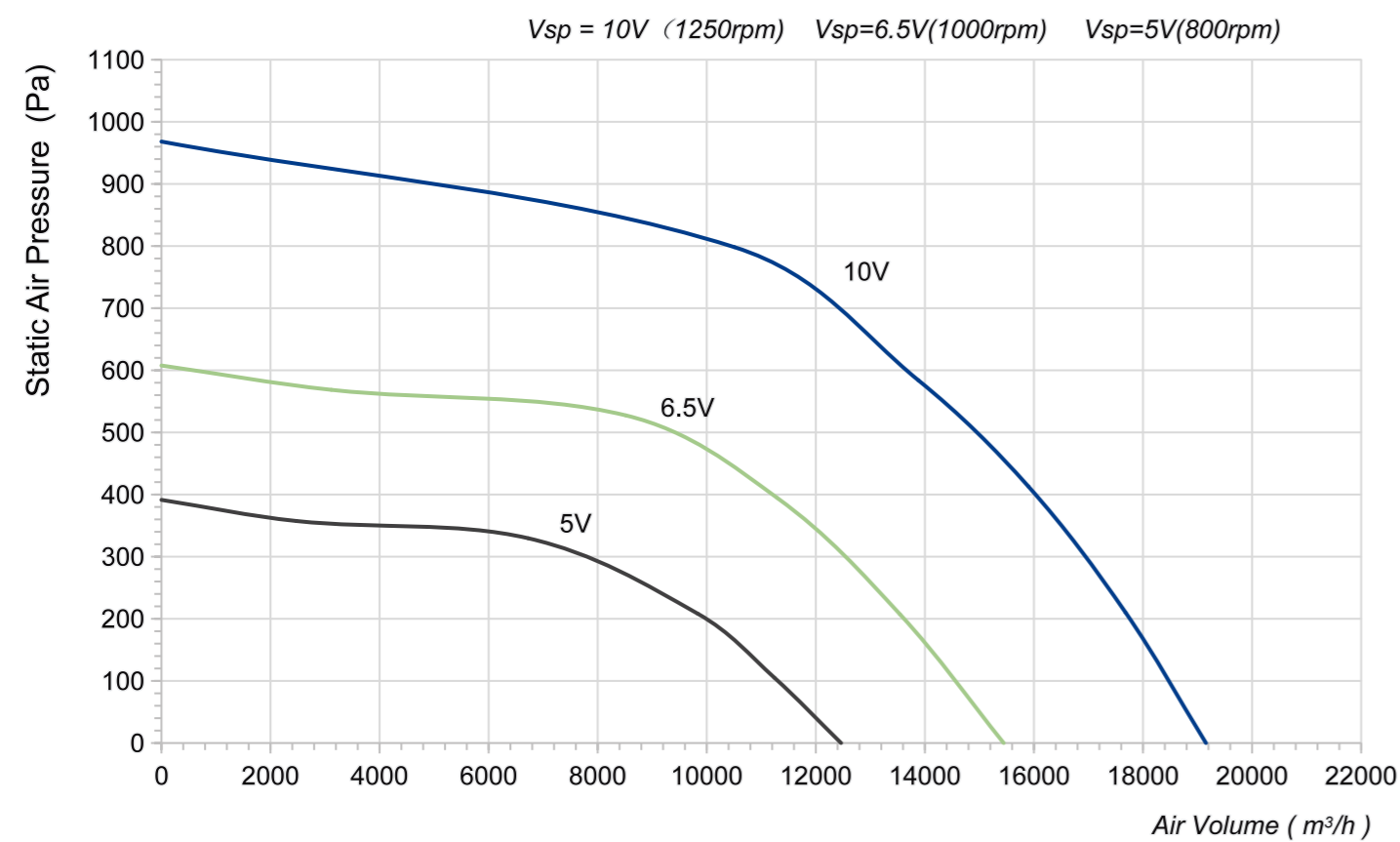
Product Characteristic

- Impeller Material: Aluminum Alloy
- Supply Voltage: 400V,50/60Hz
- Mode Of Operation: S1
- Protection Class: IP54
- Insulation Class: F
- Operation Temperature: -25℃ ~ +60℃
- Technical Feature: Control input 0-10VDC/PWM, Tech output, Locked-Rotor protection, Reverse Polarity Over-voltage protection, Soft Start Protection.

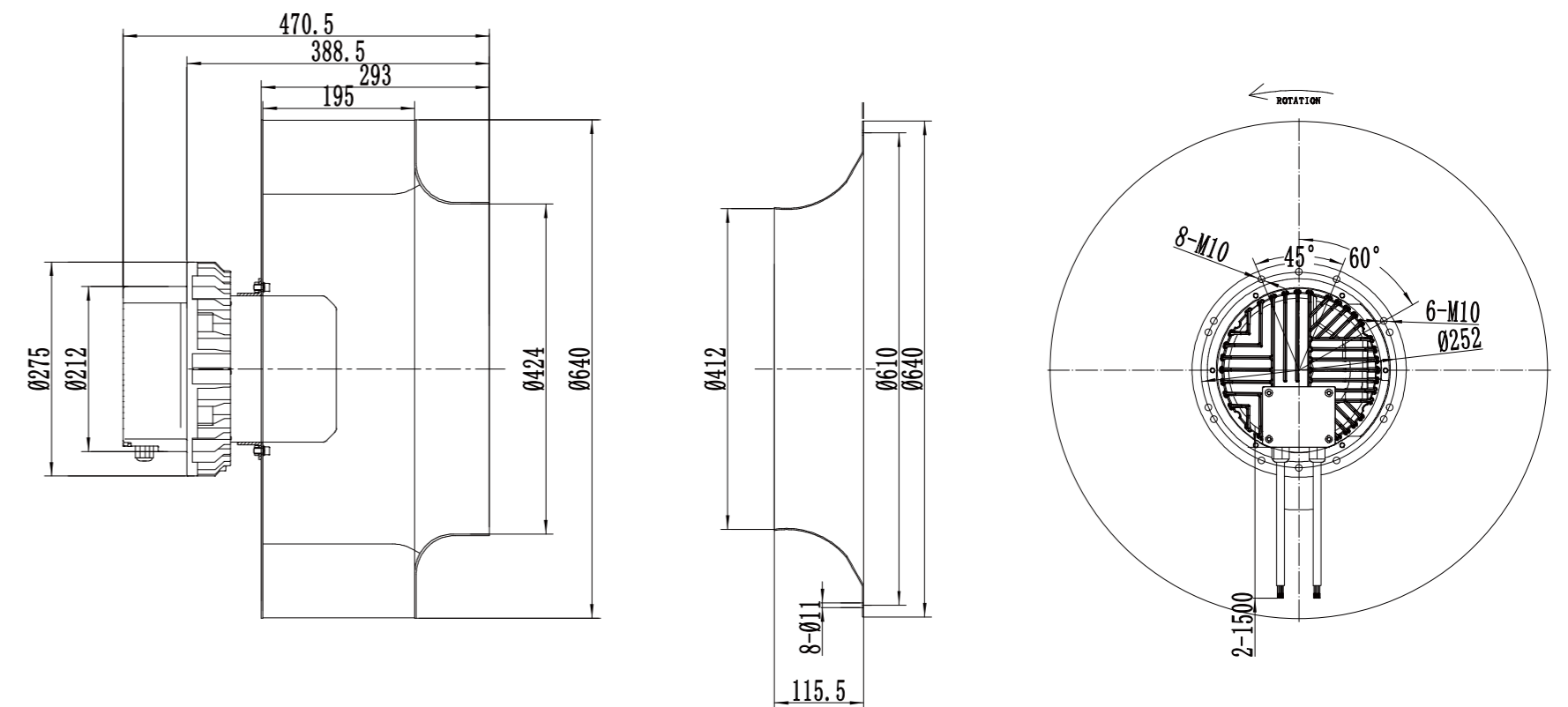


Technical Specifications

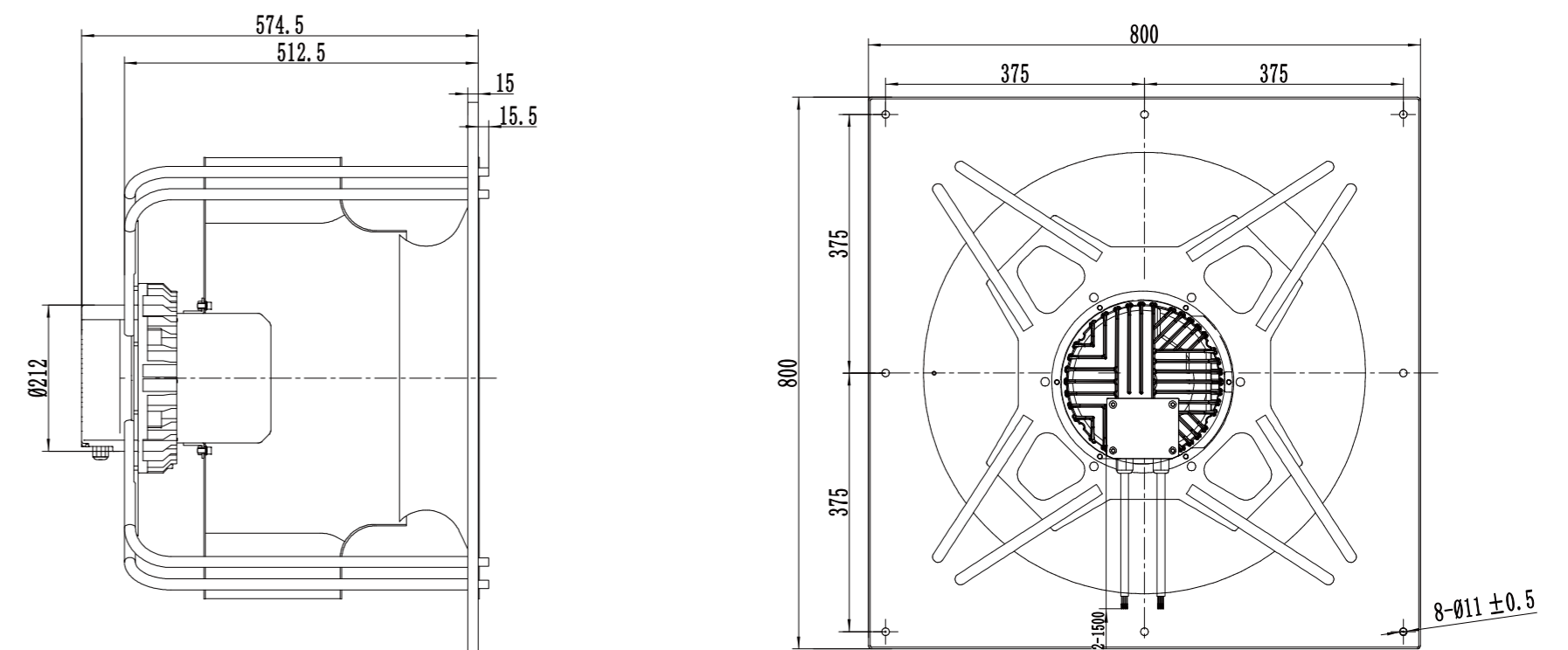
Model	Voltage (V)	Input Power (W)	Current (A)	Air Volume (m³/h)	Static Pressure (Pa)	Speed (RPM)	Noise [dB(A)]
LWBE3G630-188PT-05	400	3600	4.4	19158	968	1250	/



LWBE3G630-188NT-10 (without bracket)



LWBE3G630-188PT-05 (with bracket)



LWBE-630 Series

Product Characteristic

- Impeller Material: Aluminum Alloy
- Supply Voltage: 400V,50/60Hz
- Mode Of Operation: S1
- Protection Class: IP54
- Insulation Class: F
- Operation Temperature: -25℃ ~ +60℃
- Technical Feature: Control input 0-10VDC/PWM, Tech output, Locked-Rotor protection, Reverse Polarity Over-voltage protection, Soft Start Protection.

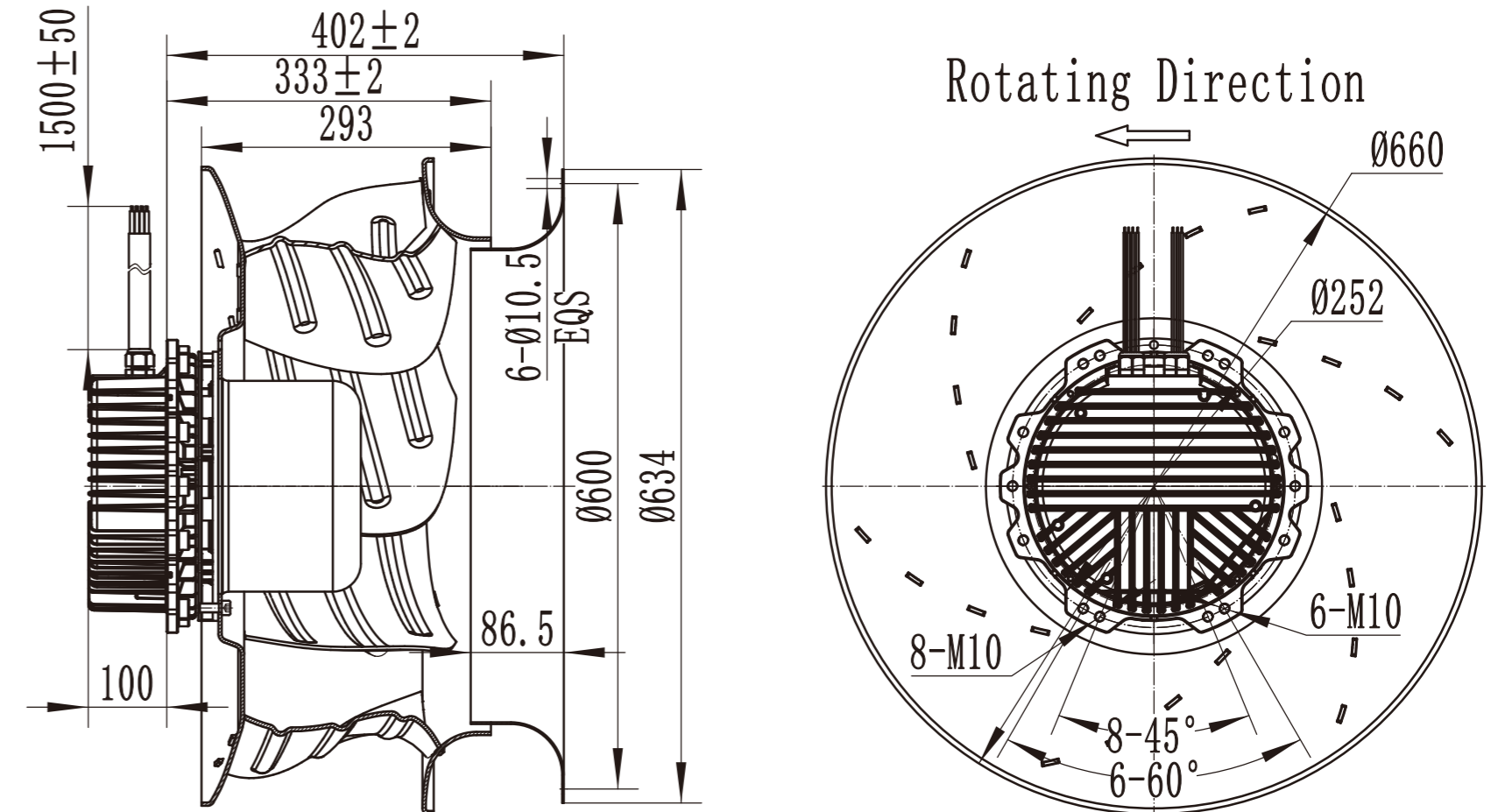


Technical Specifications

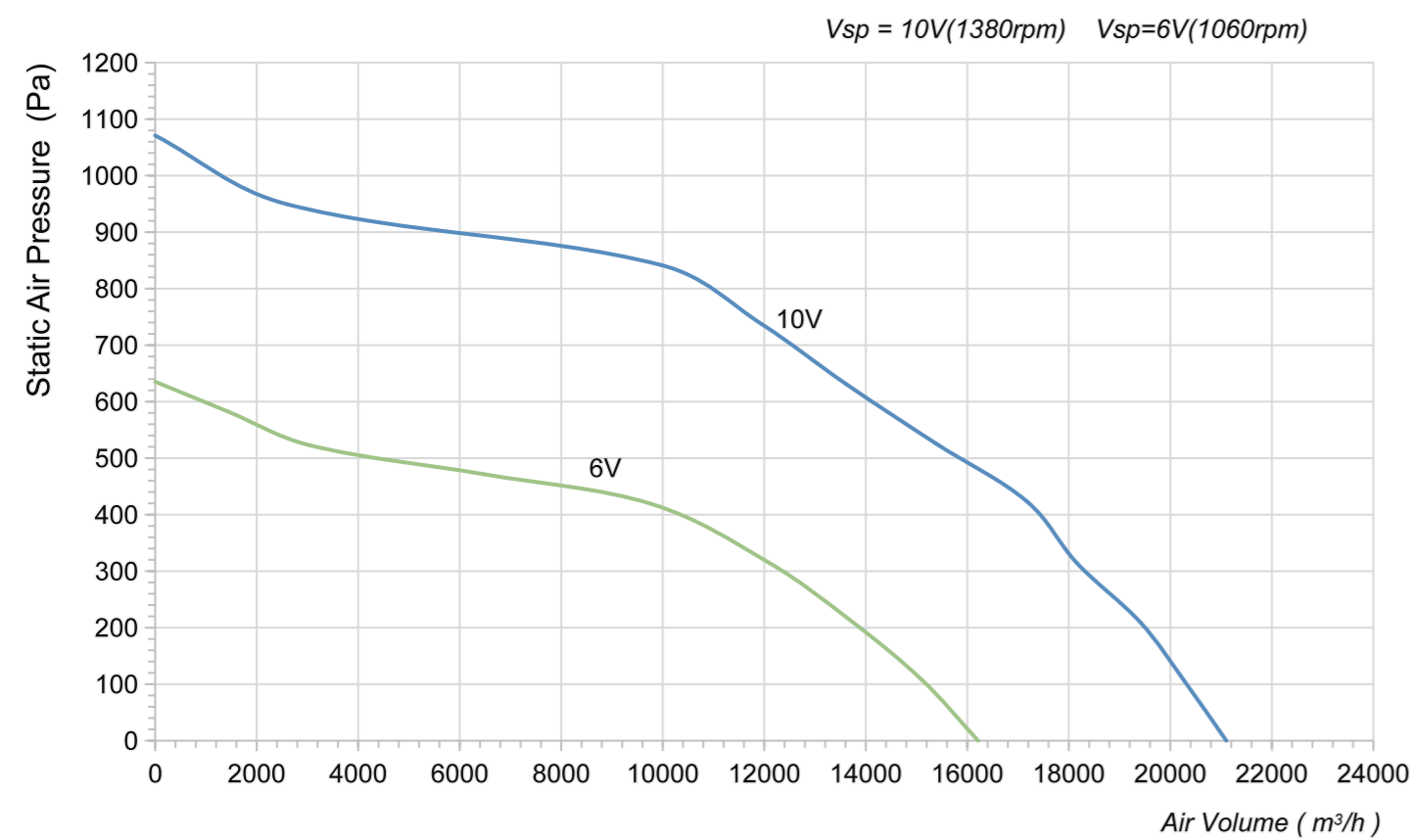
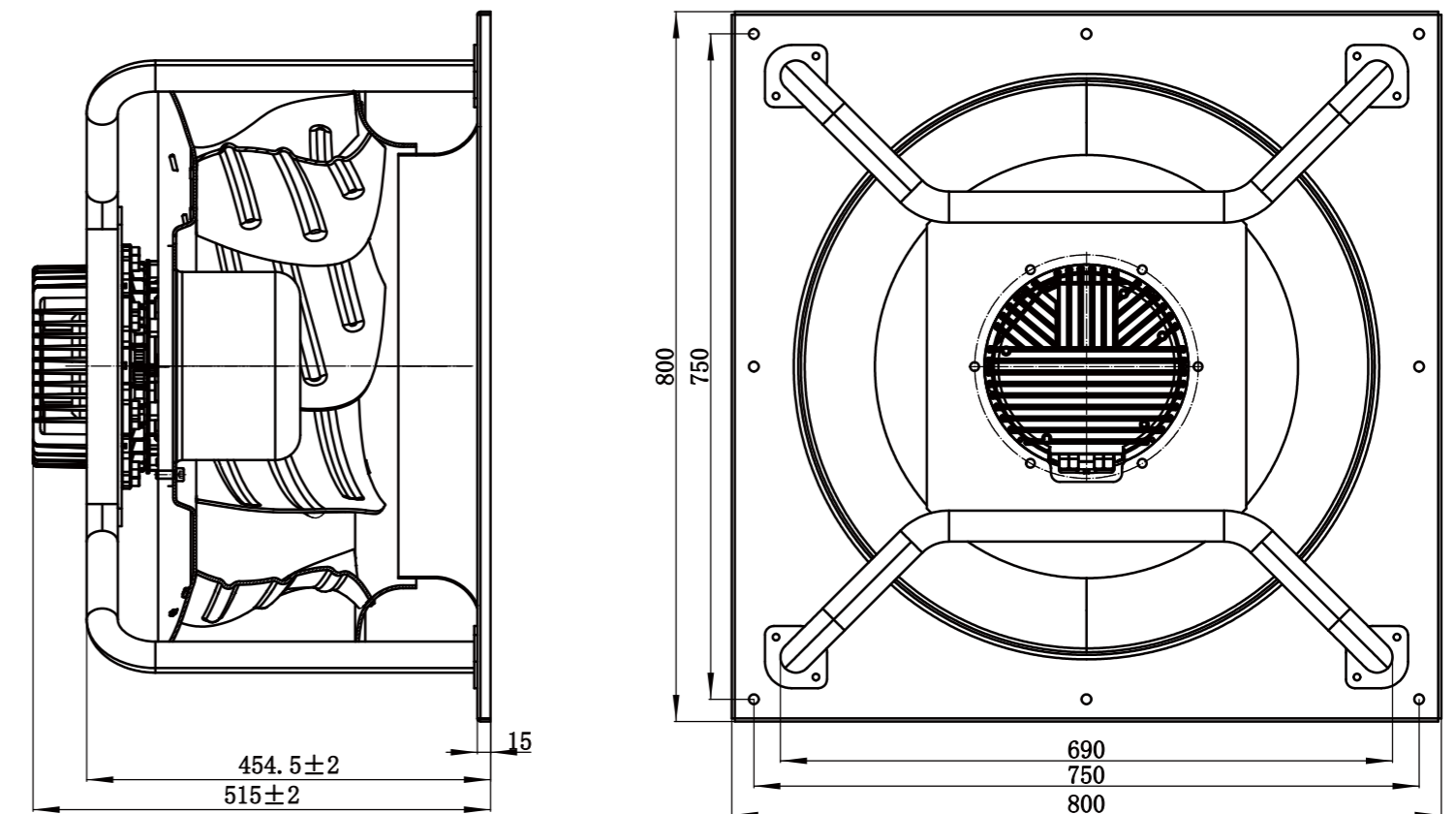
Model	Voltage (V)	Input Power (W)	Current (A)	Air Volume (m³/h)	Static Pressure (Pa)	Speed (RPM)	Noise [dB(A)]
LWBE3G630-188PT-02	400	3850	8.4	21100	1071	1380	/



LWBE3G630-188NT-07 (without bracket)



LWBE3G630-188PT-02 (with bracket)



LWBE-630 Series

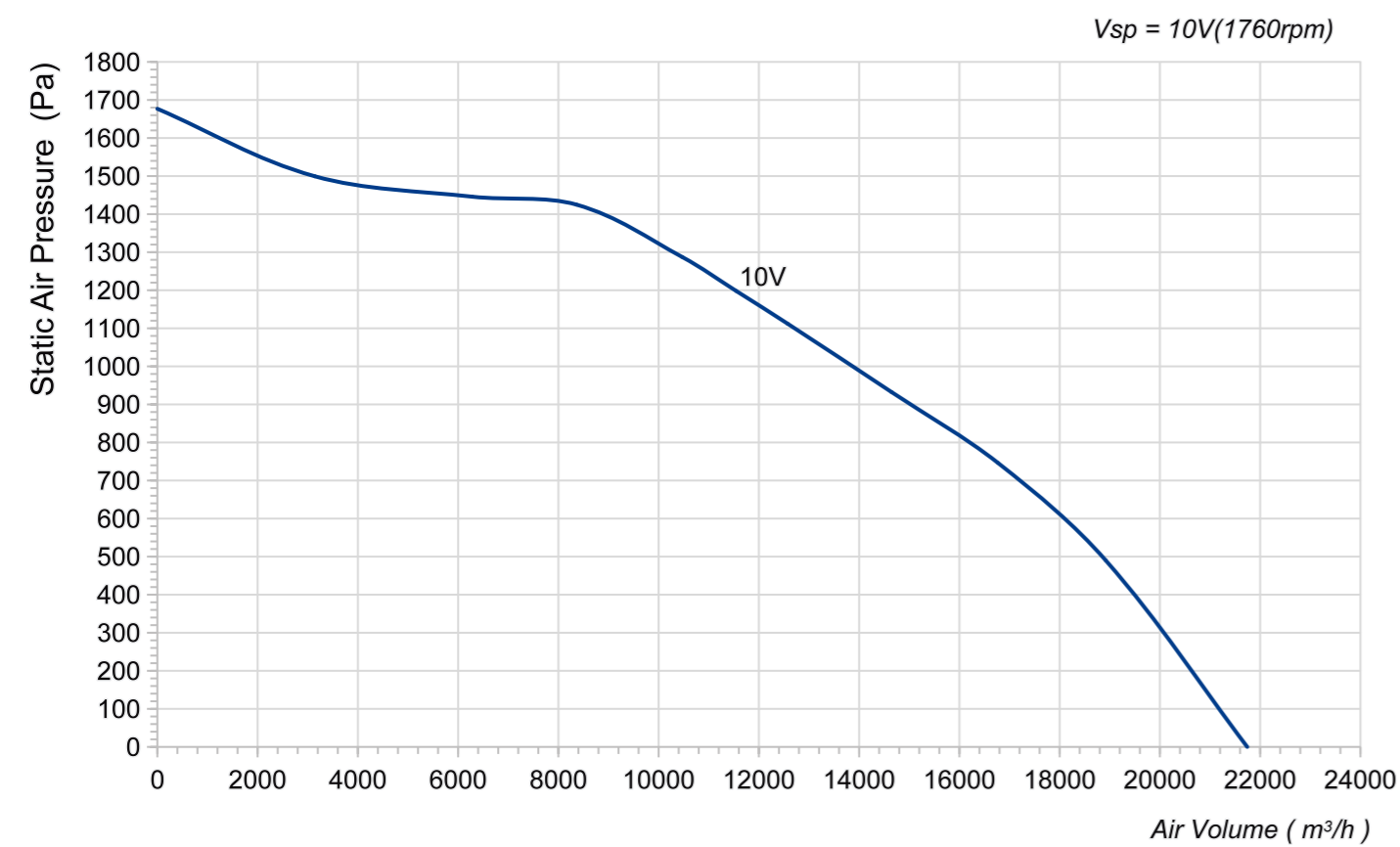
Product Characteristic

- Impeller Material: Aluminum Alloy
- Supply Voltage: 400V,50/60Hz
- Mode Of Operation: S1
- Protection Class: IP54
- Insulation Class: F
- Operation Temperature: -25°C ~ +60°C
- Technical Feature: Control input 0-10VDC/PWM, Tech output, Locked-Rotor protection, Reverse Polarity Over-voltage protection, Soft Start Protection.

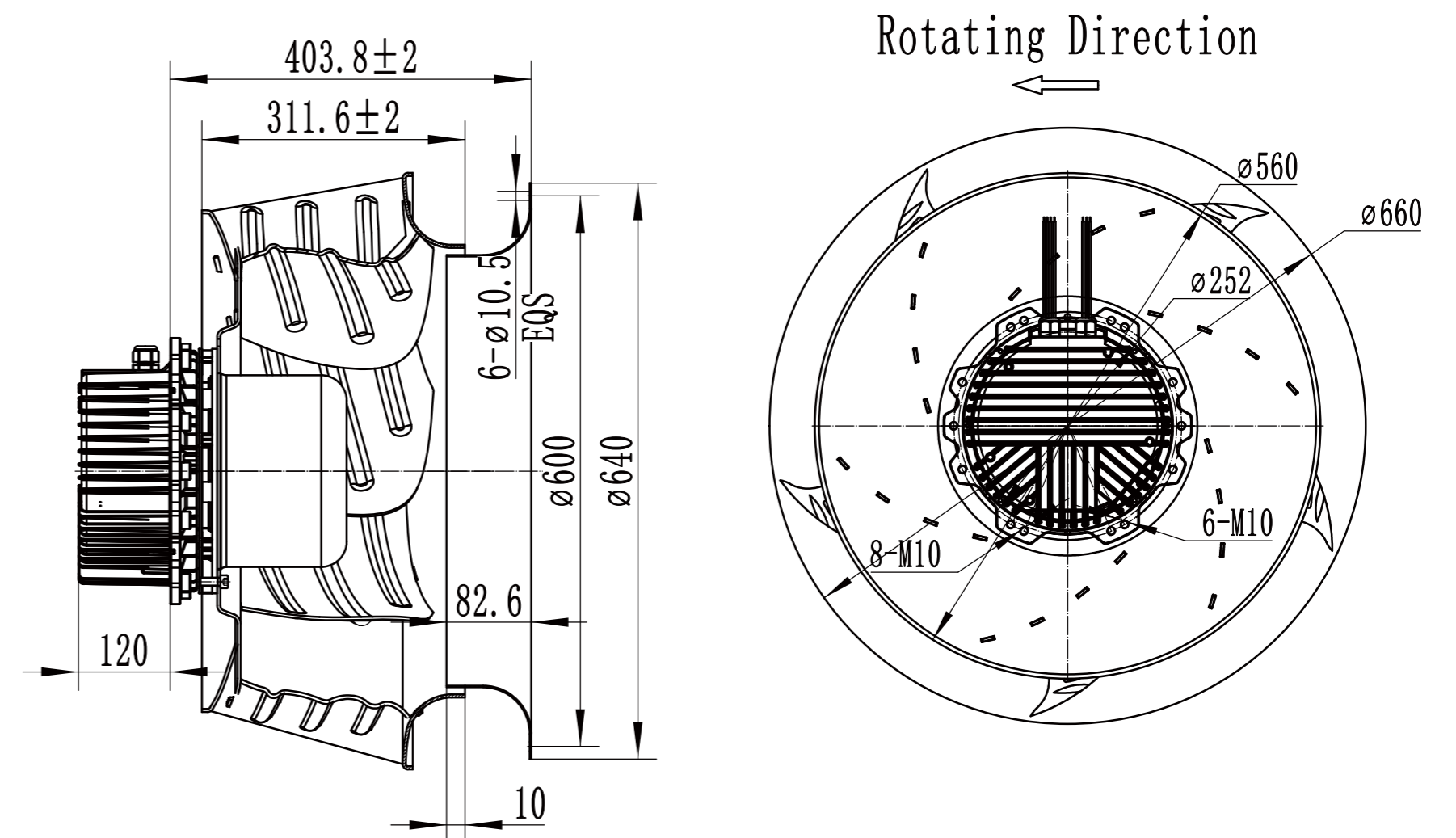


Technical Specifications

Model	Voltage (V)	Input Power (W)	Current (A)	Air Volume (m³/h)	Static Pressure (Pa)	Speed (RPM)	Noise [dB(A)]
LWBE3G630-188PT-04	400	5570	10.8	21742	1677	1760	/



LWBE3G630-188NT-09 (without bracket)



LWBE3G630-188PT-04 (with bracket)

