

AC Dual Inlet Forward Centrifugal Fans



LWFA-120 Series

Product Characteristic

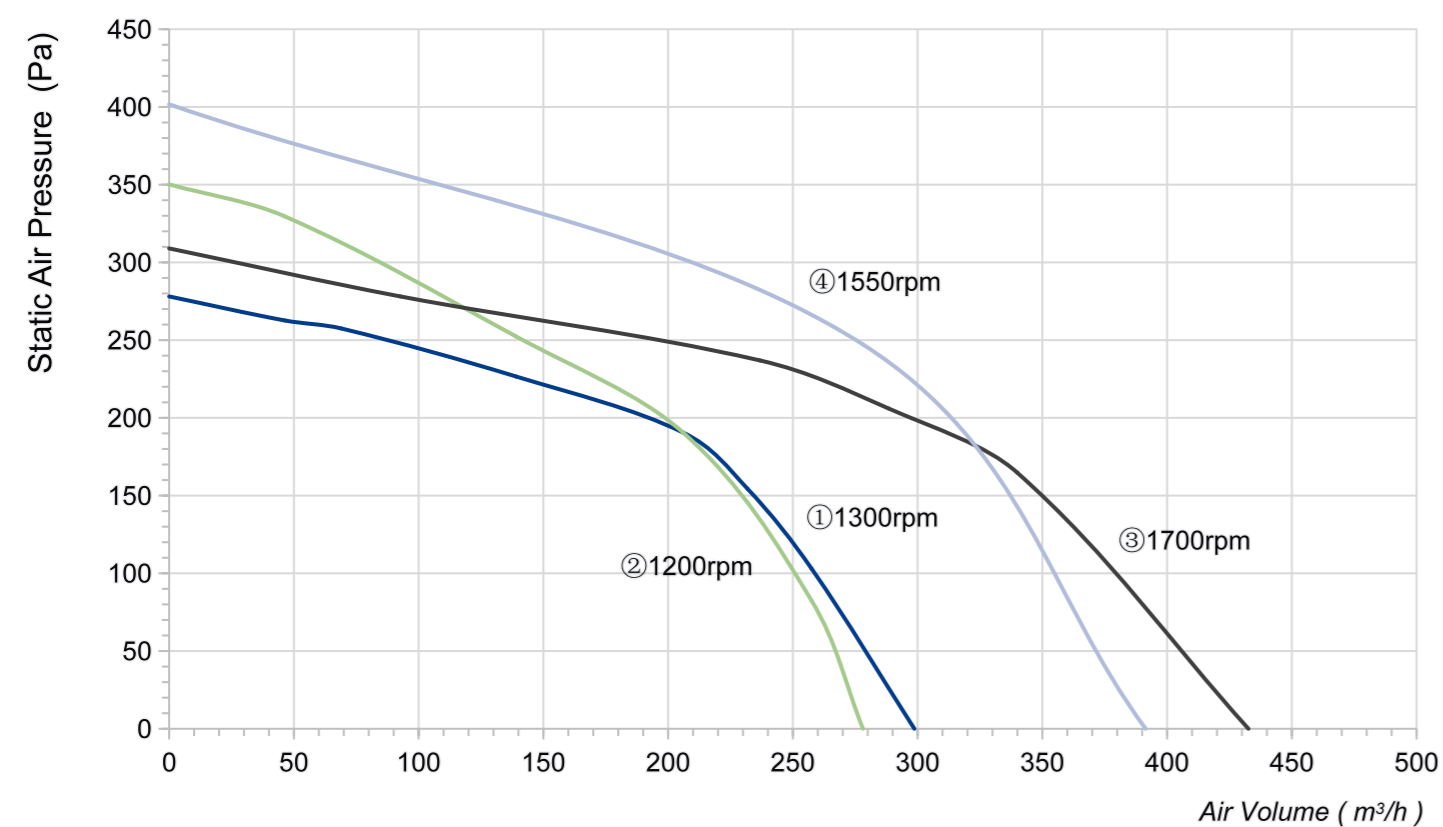
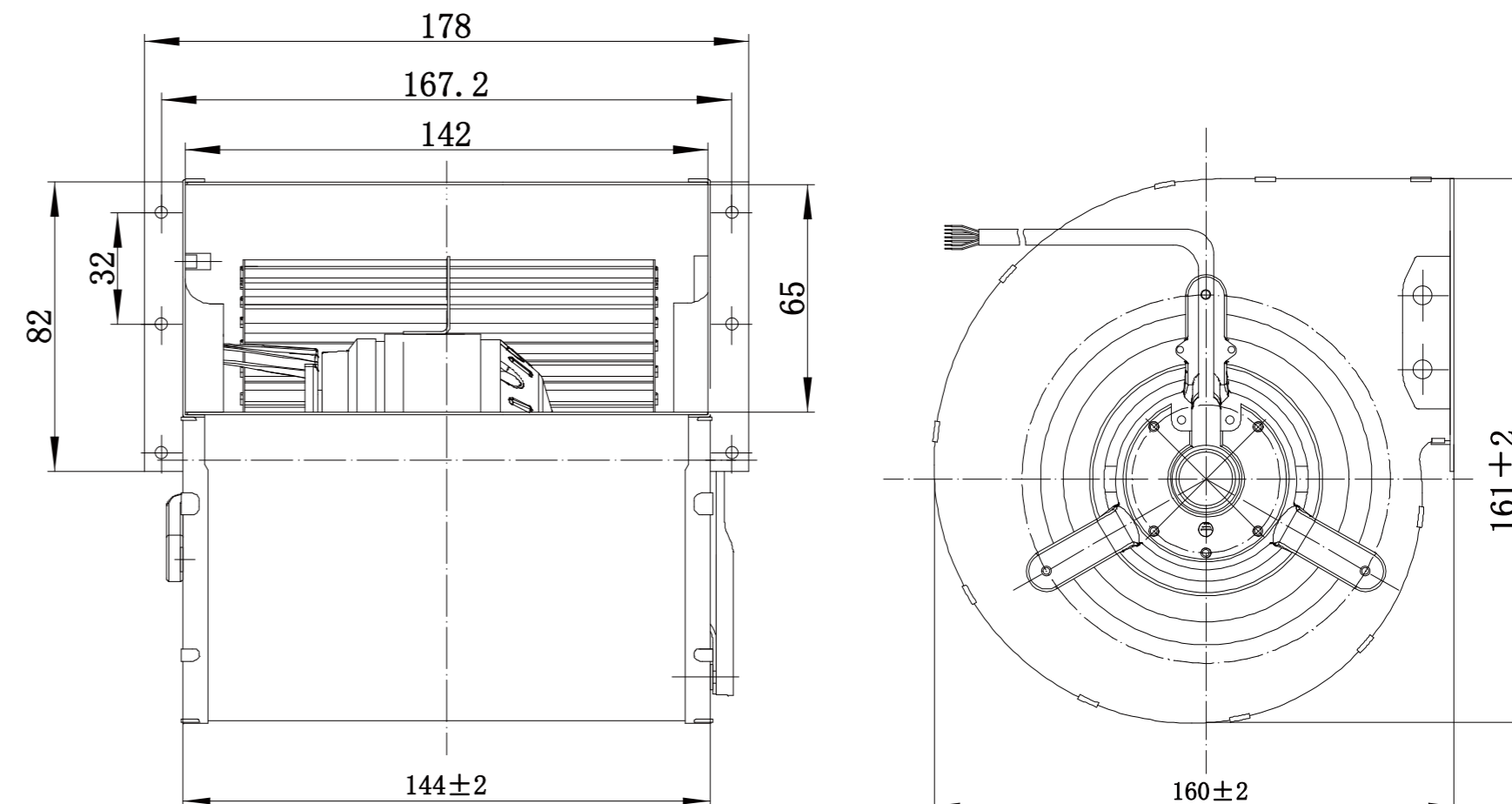
- Material : Metal
- Mode of operation: S1
- Type of operation: IP54
- Insulation class: F
- Bearing: Maintenance-free ball bearings
- Operation Temperature: -30~+60 C



Technical Specifications

Model	Voltage (V)	Frequency (Hz)	Power (W)	Current (A)	Speed (RPM)	Air Flow (m³/h)	Air Pressure (Pa)	Noise [dB(A)]	Capacitor	Curve
LWFA2E120-092DS-01	230	50	65	0.3	1300	299	278	54	2uF	①
LWFA2E120-092DS-02	230	60	71	0.33	1200	278	350	54	2uF	②
LWFA2E120-092DS-03	230	50	105	0.47	1700	433	309	60	2uF	③
LWFA2E120-092DS-04	230	60	116	0.52	1550	391	402	60	2uF	④

Product Drawing (mm)



LWFA-120 Series

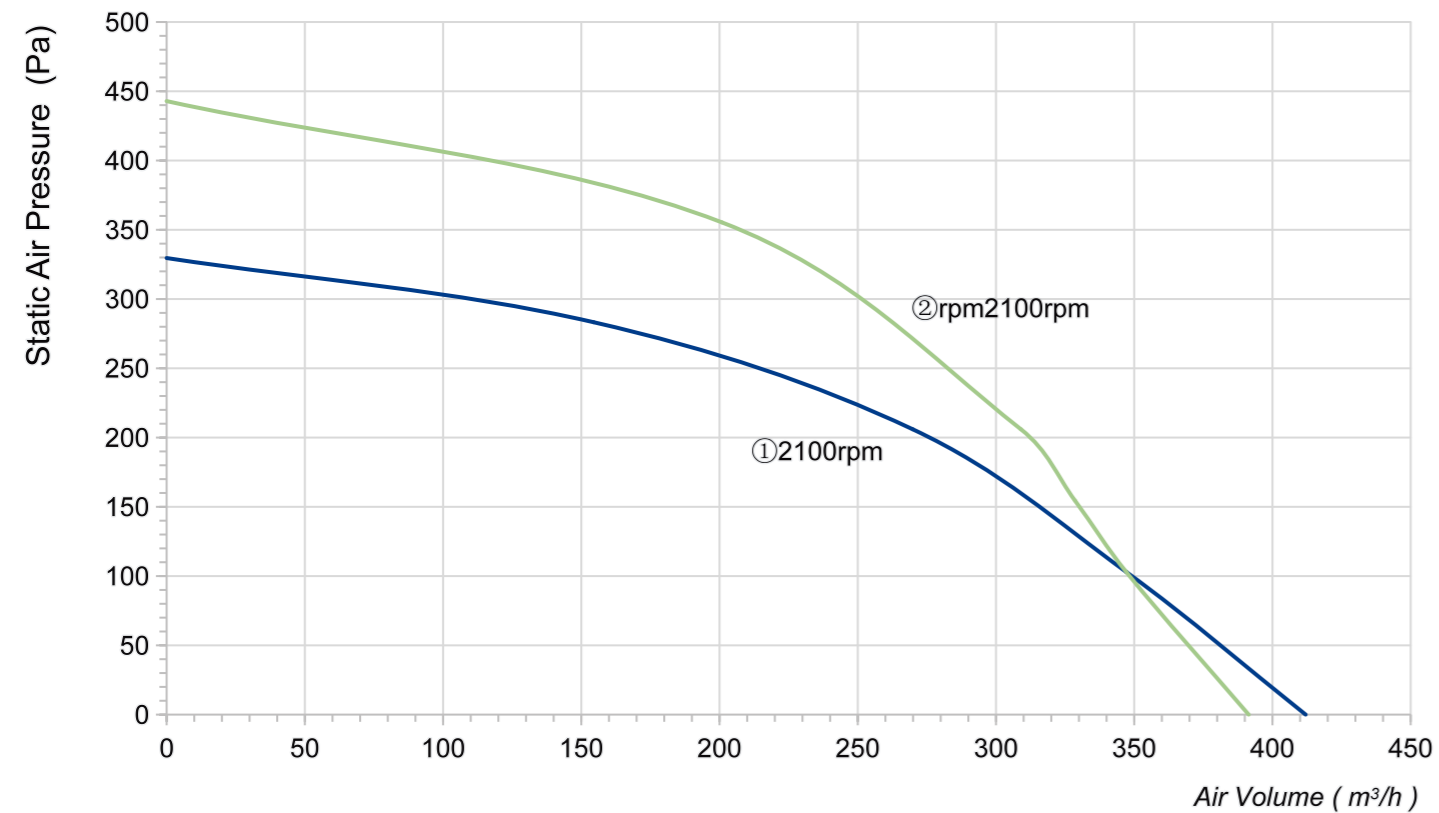
Product Characteristic

- Material : Metal
- Mode of operation: S1
- Type of operation: IP54
- Insulation class: F
- Bearing: Maintenance-free ball bearings
- Operation Temperature: -30~+60 C

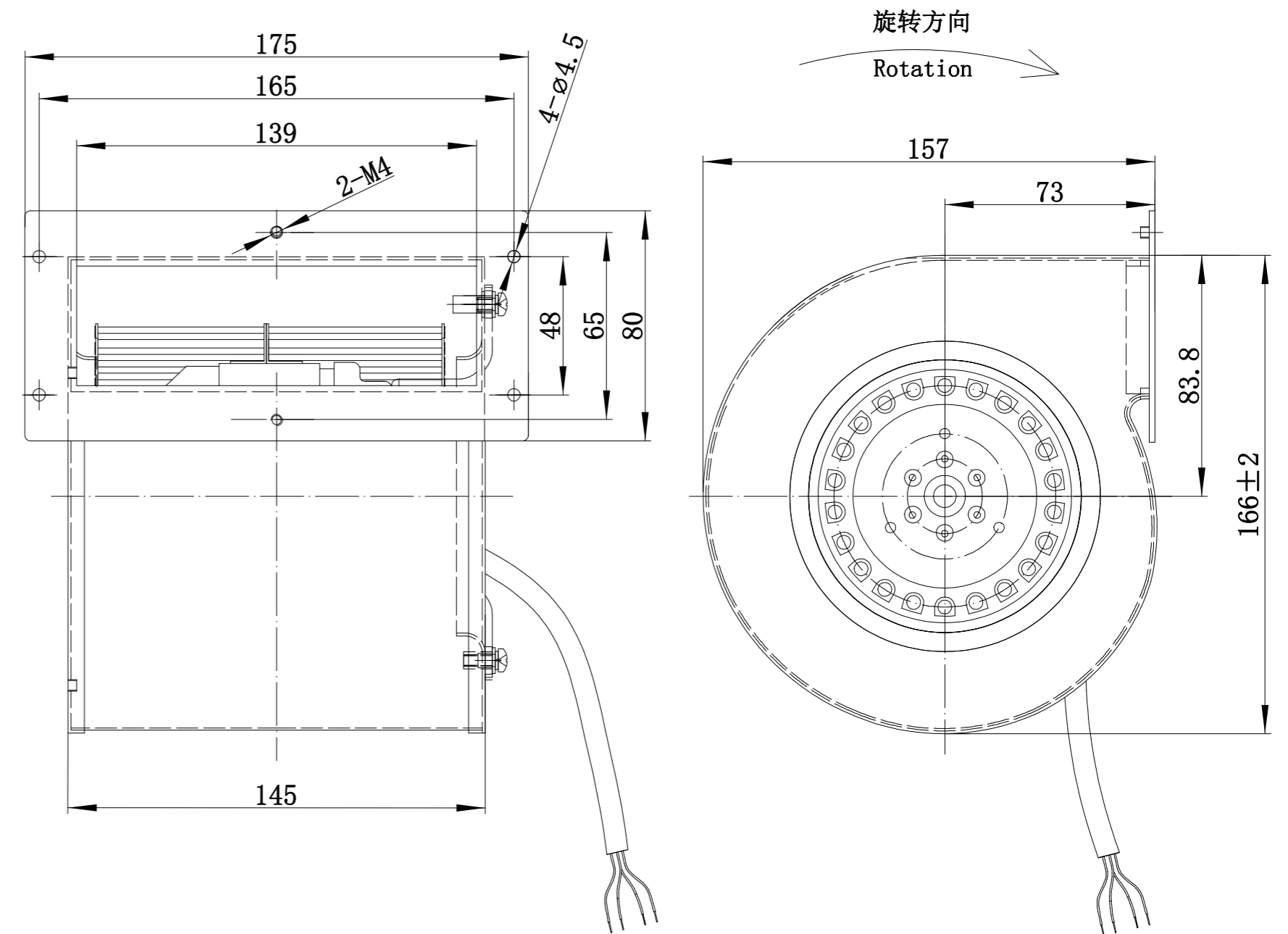


Technical Specifications

Model	Voltage (V)	Frequency (Hz)	Power (W)	Current (A)	Speed (RPM)	Air Flow (m³/h)	Air Pressure (Pa)	Noise [dB(A)]	Capacitor	Curve
LWFA2E120-092DS-05	230	50	85	0.4	2100	412	330	66	1.5uF	①
LWFA2E120-092DS-06	230	60	95	0.43	2100	391	443	66	1.5uF	②



Product Drawing (mm)



LWFA-133 Series

Product Characteristic

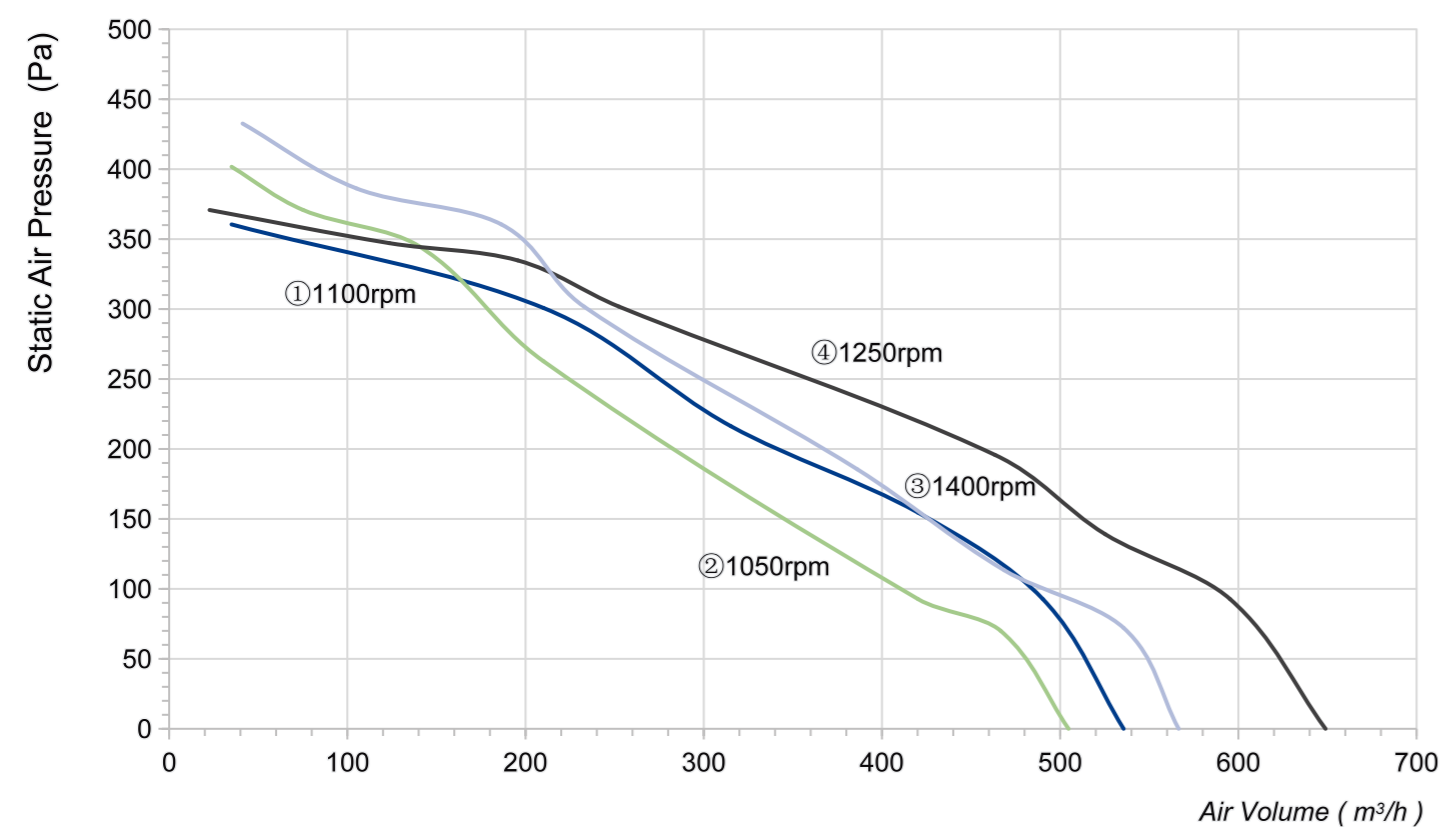
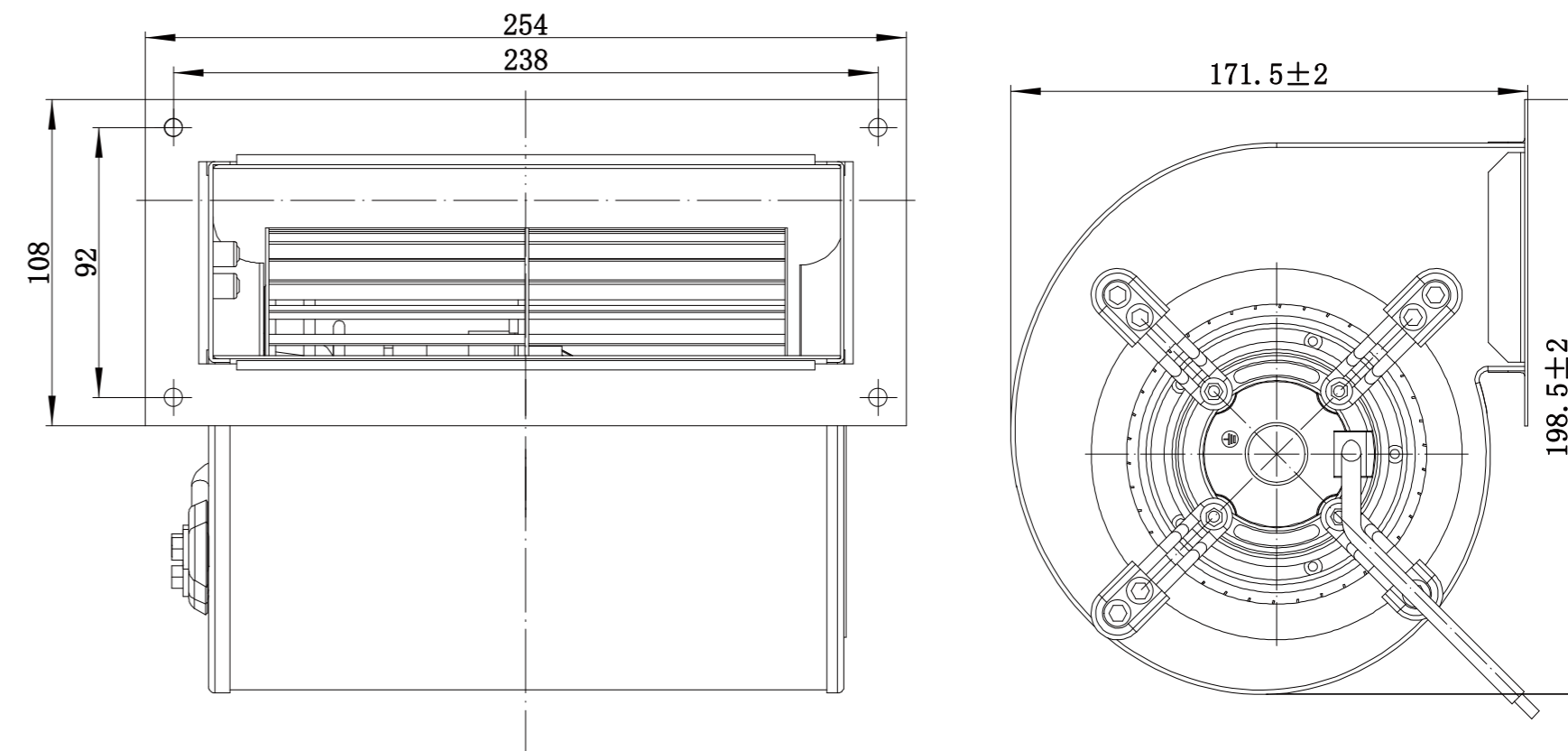
- Material : Metal
- Mode of operation: S1
- Type of operation: IP54
- Insulation class: F
- Bearing: Maintenance-free ball bearings
- Operation Temperature: -30~+60 C



Technical Specifications

Model	Voltage (V)	Frequency (Hz)	Power (W)	Current (A)	Speed (RPM)	Air Flow (m³/h)	Air Pressure (Pa)	Noise [dB(A)]	Capacitor	Curve
LWFA2E133-092DS-01	230	50	130	0.6	1100	536	361	60	3uF	①
LWFA2E133-092DS-02	230	60	135	0.62	1050	505	402	60	3uF	②
LWFA4E133-092DS-03	230	50	180	0.8	1400	649	371	69	4uF	③
LWFA4E133-092DS-04	230	60	190	0.86	1250	567	433	69	4uF	④

Product Drawing (mm)



LWFA-133 Series

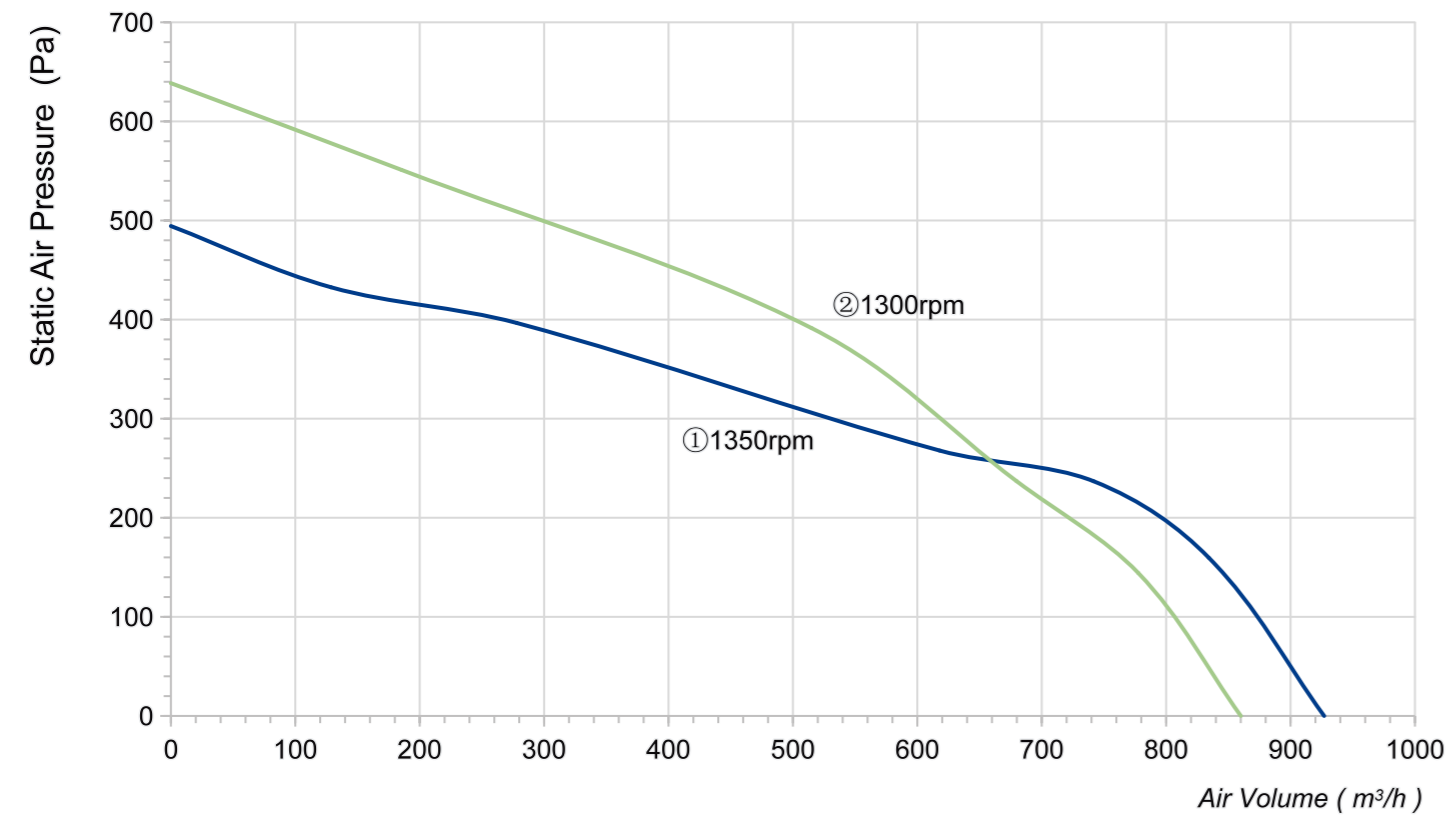
Product Characteristic

- Material : Metal
- Mode of operation: S1
- Type of operation: IP54
- Insulation class: F
- Bearing: Maintenance-free ball bearings
- Operation Temperature: -30~+60 C

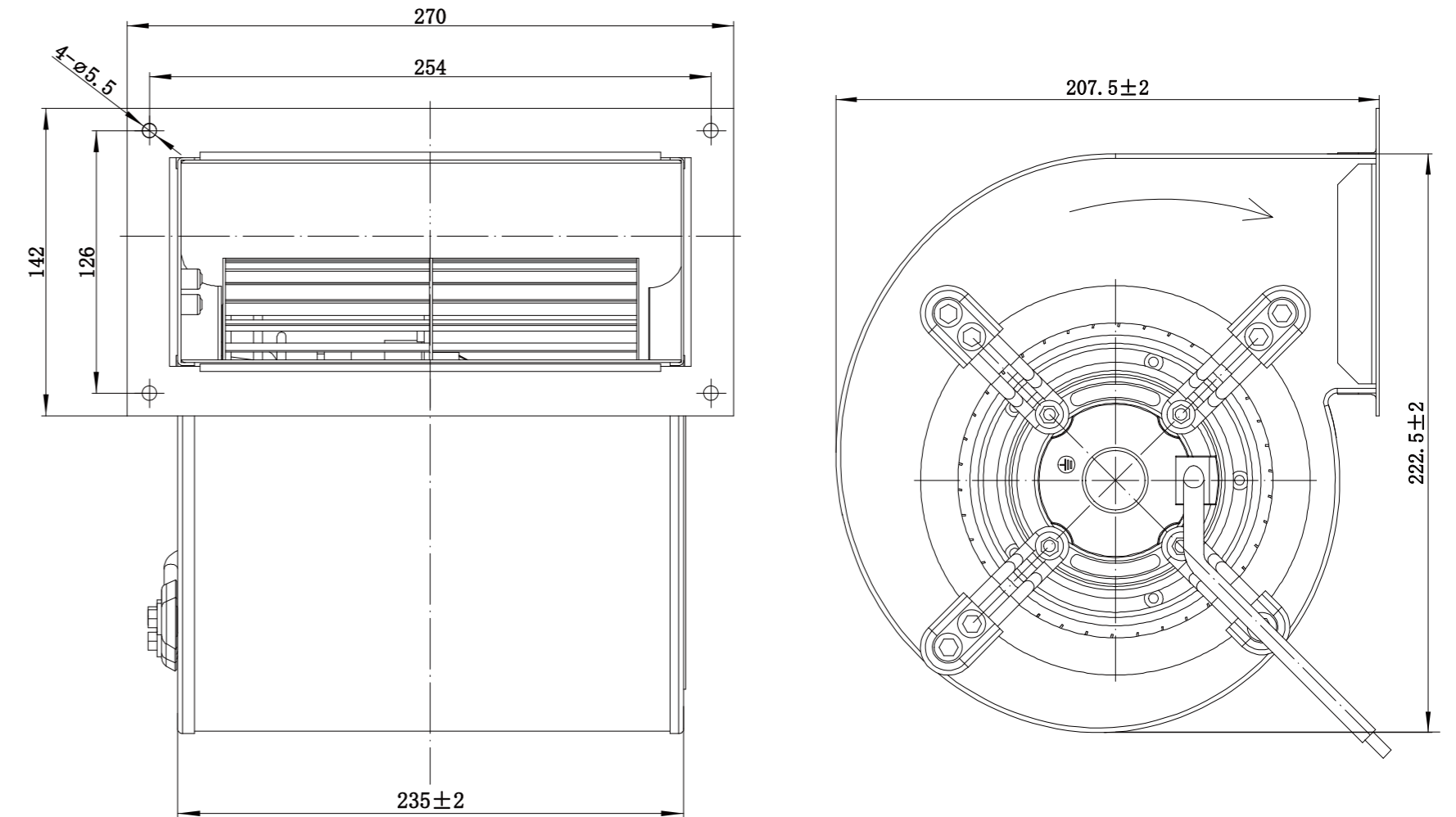


Technical Specifications

Model	Voltage (V)	Frequency (Hz)	Power (W)	Current (A)	Speed (RPM)	Air Flow (m³/h)	Air Pressure (Pa)	Noise [dB(A)]	Capacitor	Curve
LWFA2E133-092DS-05	230	50	250	1.15	1350	927	494	69	6uF	①
LWFA2E133-092DS-06	230	60	265	1.22	1300	886	639	69	6uF	②



Product Drawing (mm)



LWFA-133 Series

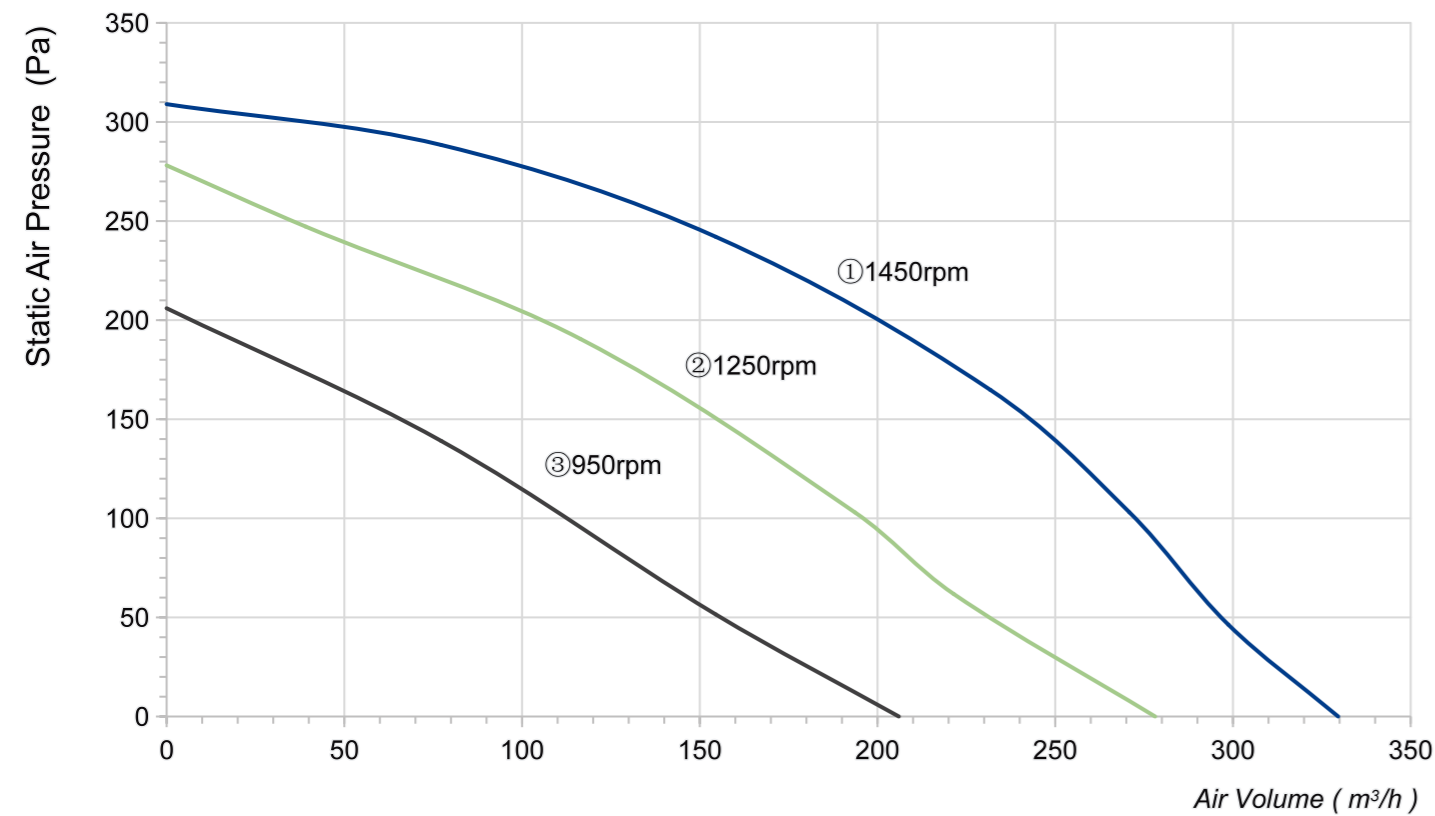
Product Characteristic

- Material : Metal
- Mode of operation: S1
- Type of operation: IP54
- Insulation class: F
- Bearing: Maintenance-free ball bearings
- Operation Temperature: -30~+60 C

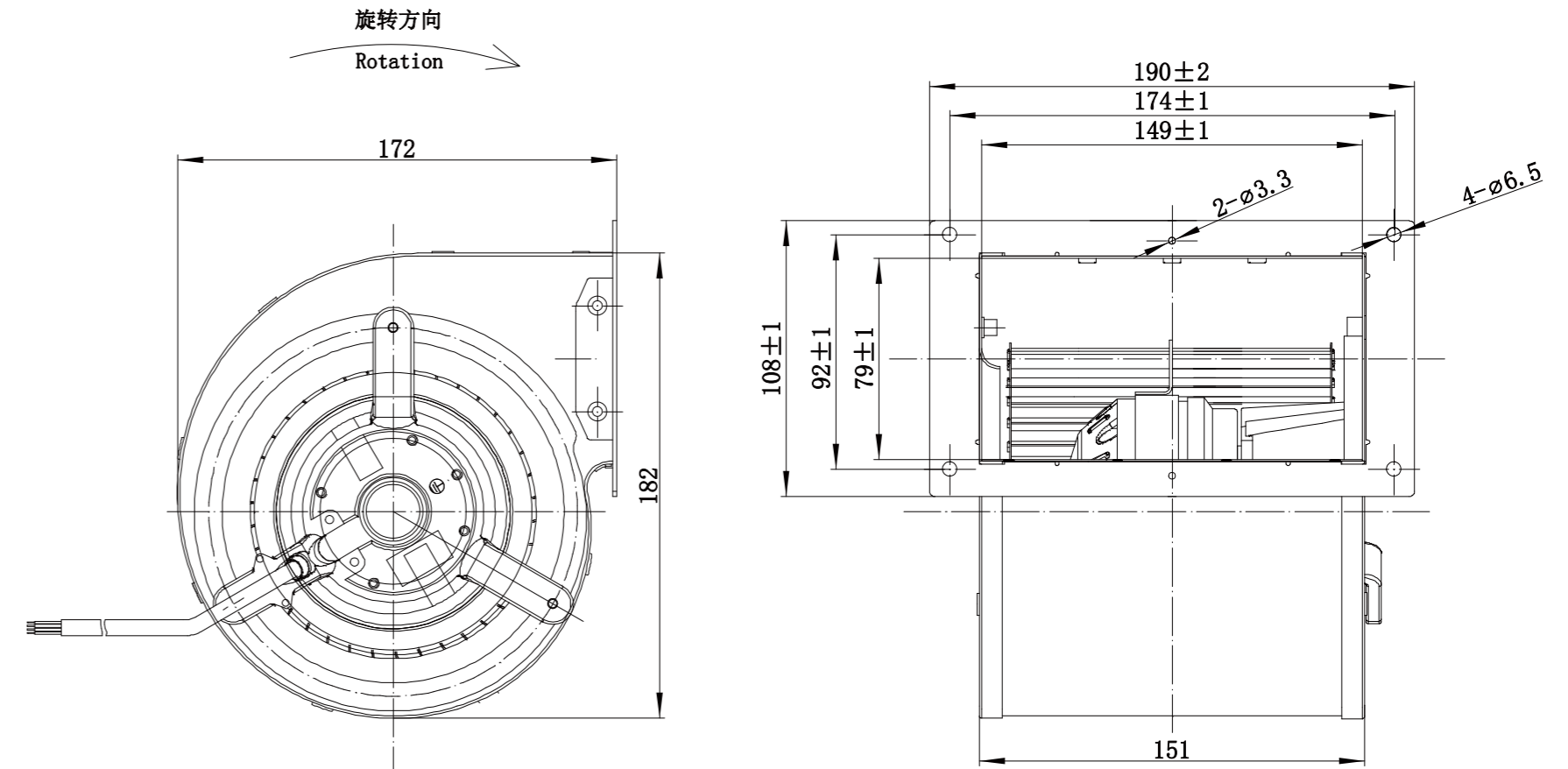


Technical Specifications

Model	Voltage (V)	Frequency (Hz)	Power (W)	Current (A)	Speed (RPM)	Air Flow (m³/h)	Air Pressure (Pa)	Noise [dB(A)]	Capacitor	Curve
			70	0.3	1450	330	309	40	1.5uF	①
LWFA2E133-092DS-07	230	50	60	0.26	1250	278	278	35	1.5uF	②
			47	0.22	950	206	206	29	1.5uF	③



Product Drawing (mm)



LWFA-133 Series

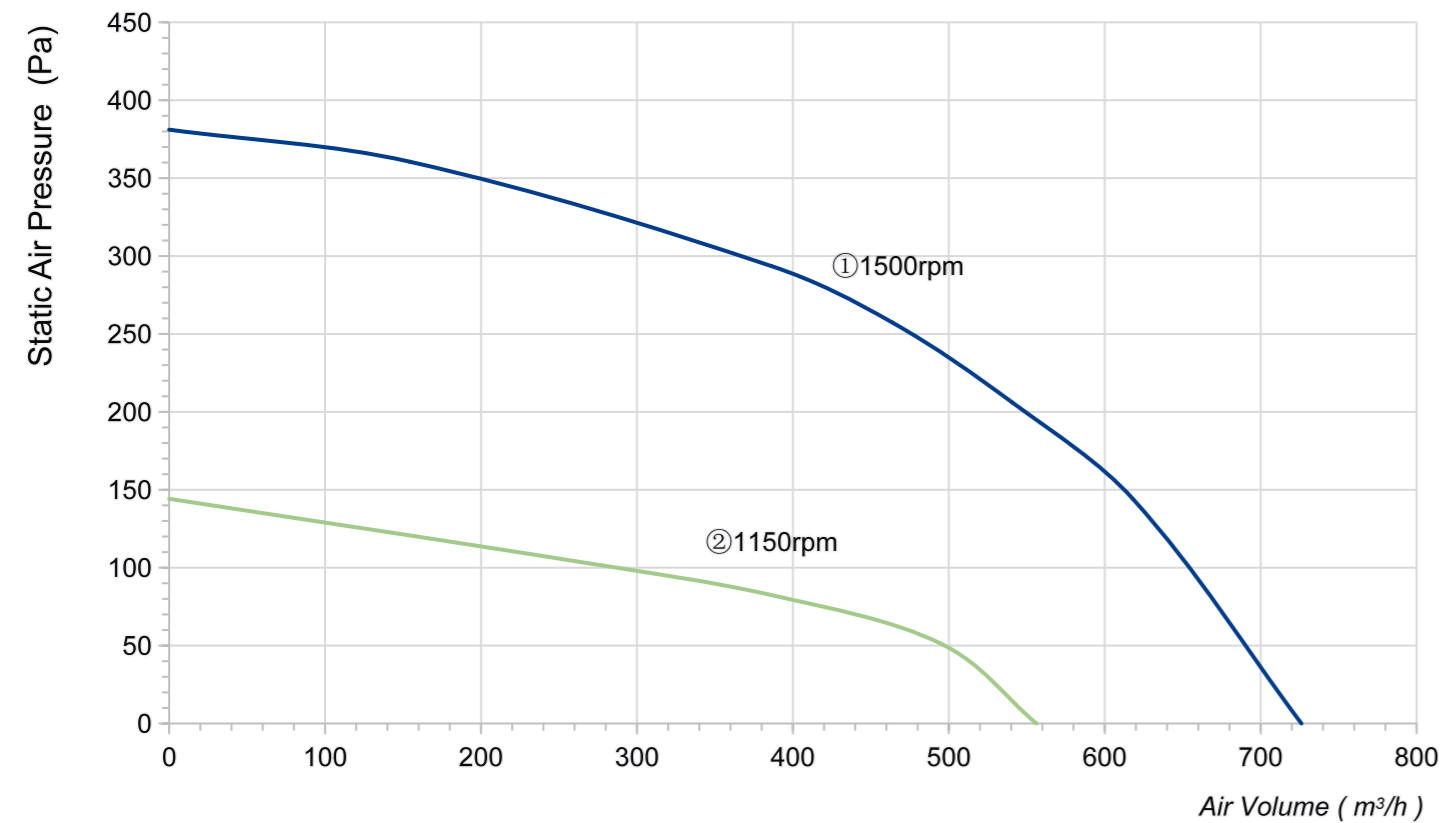
Product Characteristic

- Material : Metal
- Mode of operation: S1
- Type of operation: IP54
- Insulation class: F
- Bearing: Maintenance-free ball bearings
- Operation Temperature: -30~+60 C

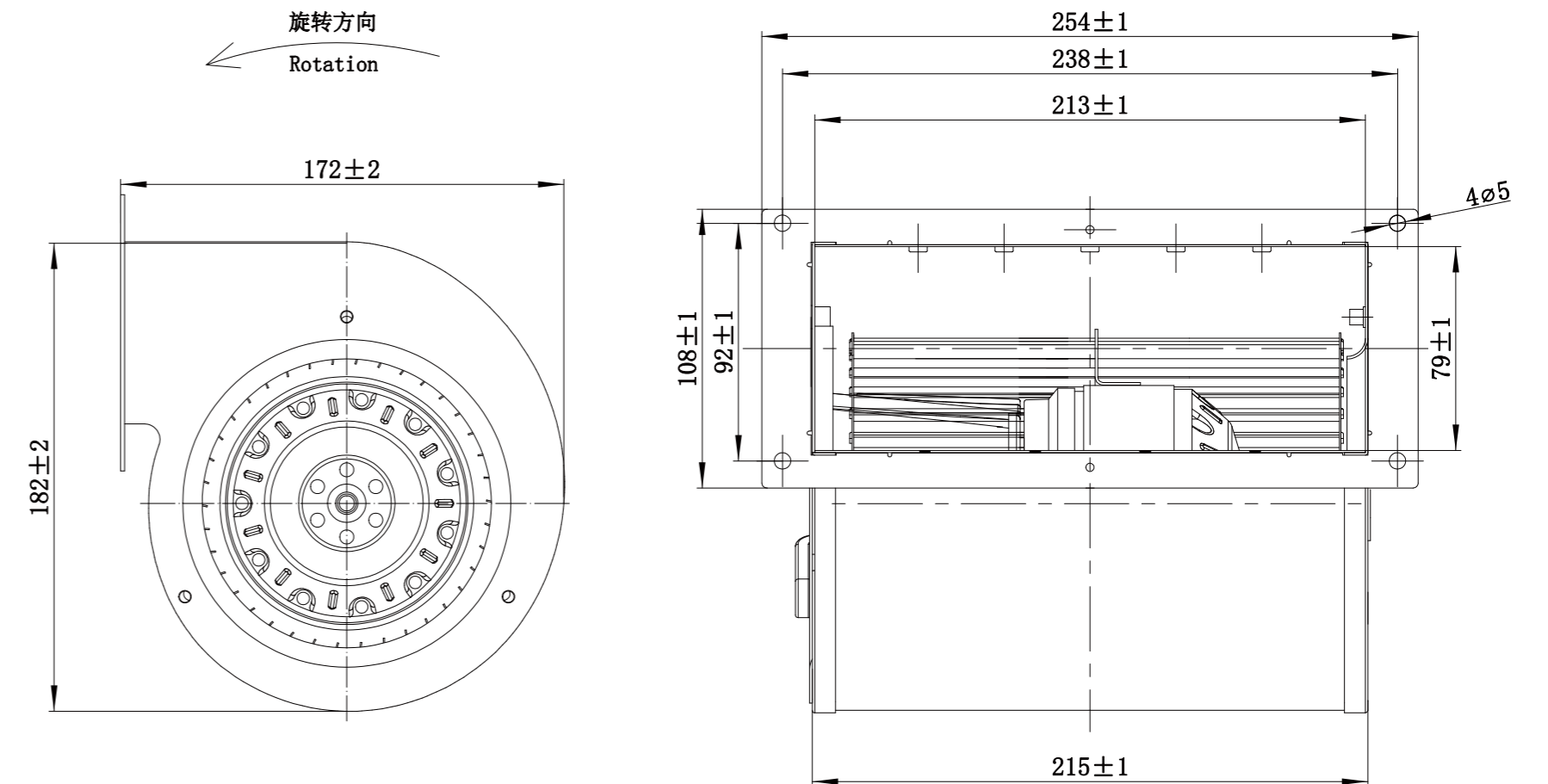


Technical Specifications

Model	Voltage (V)	Frequency (Hz)	Power (W)	Current (A)	Speed (RPM)	Air Flow (m³/h)	Air Pressure (Pa)	Noise [dB(A)]	Capacitor	Curve
LWFA2E133-092DS-08	230	50	190	0.85	1500	726	381	60	4uF	①
LWFA4E133-092DS-09	230	50	75	0.35	1150	556	144	51	2uF	②



Product Drawing (mm)



LWFA-133 Series

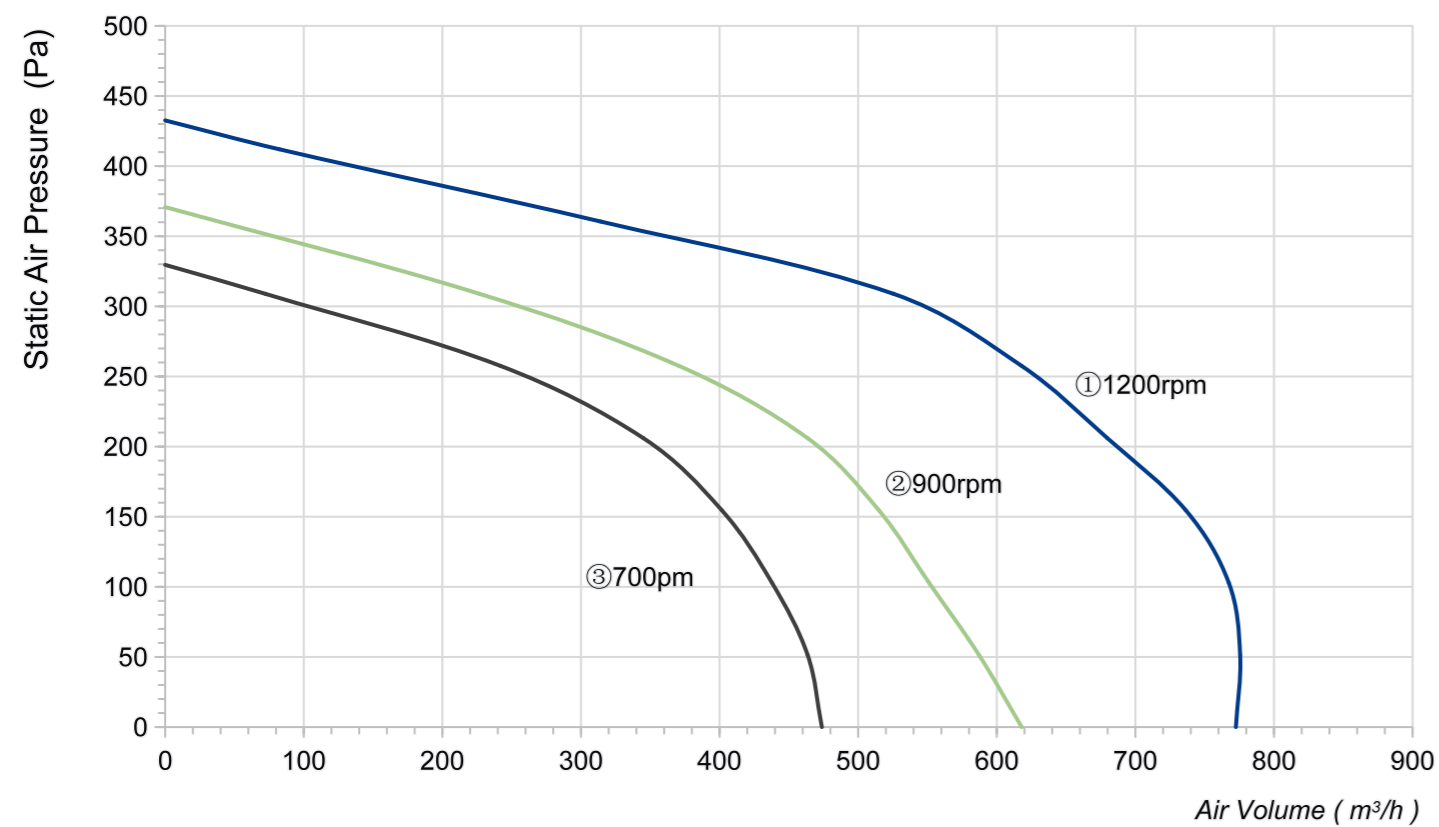
Product Characteristic

- Material : Metal
- Mode of operation: S1
- Type of operation: IP54
- Insulation class: F
- Bearing: Maintenance-free ball bearings
- Operation Temperature: -30~+60 C

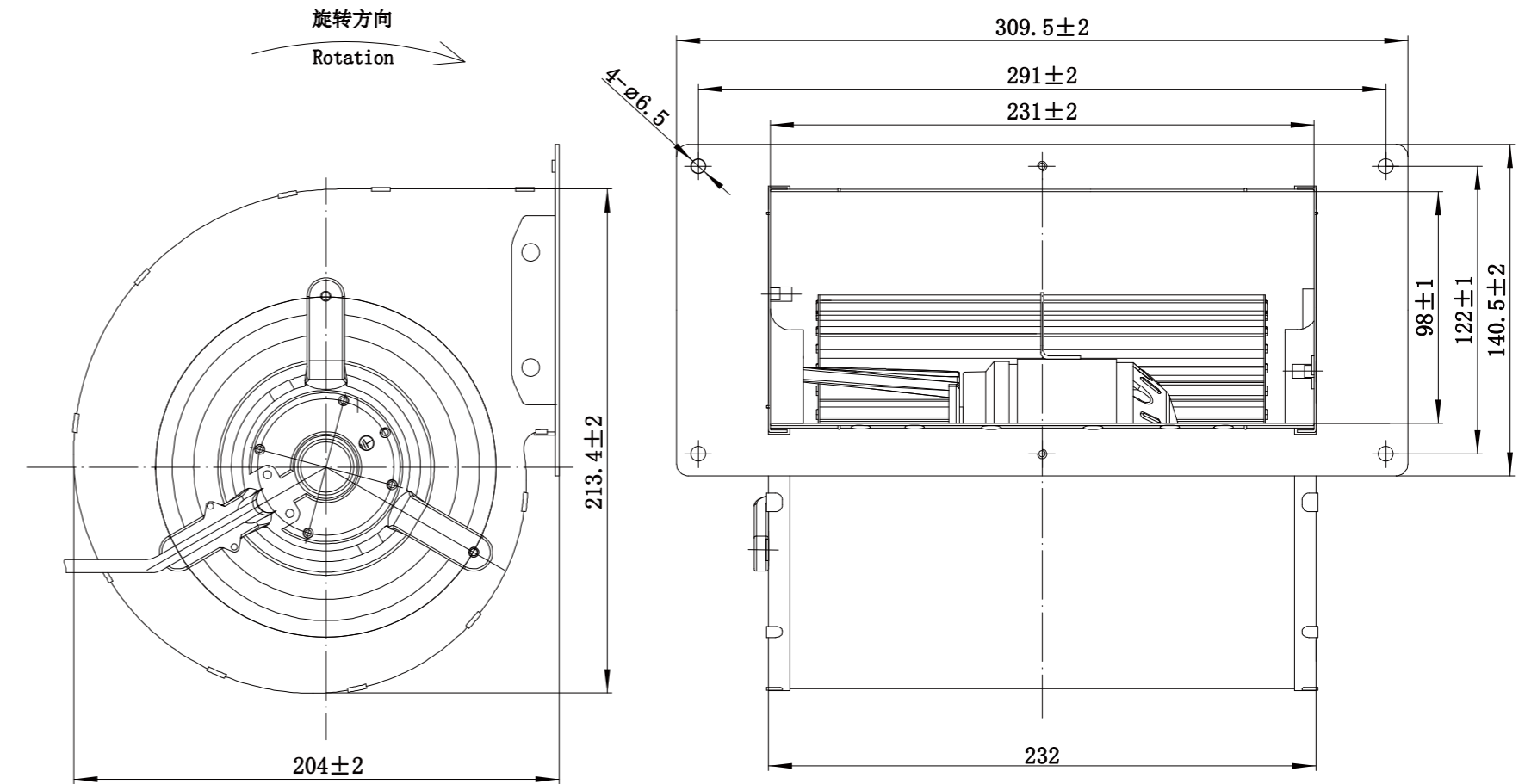


Technical Specifications

Model	Voltage (V)	Frequency (Hz)	Power (W)	Current (A)	Speed (RPM)	Air Flow (m³/h)	Air Pressure (Pa)	Noise [dB(A)]	Capacitor	Curve
			250	1.1	1200	773	433	58	4uF	①
LWFA2E133-092DS-10	230	50	205	0.9	900	618	371	51	4uF	②
			175	0.8	700	474	330	46	4uF	③



Product Drawing (mm)



LWFA-146 Series

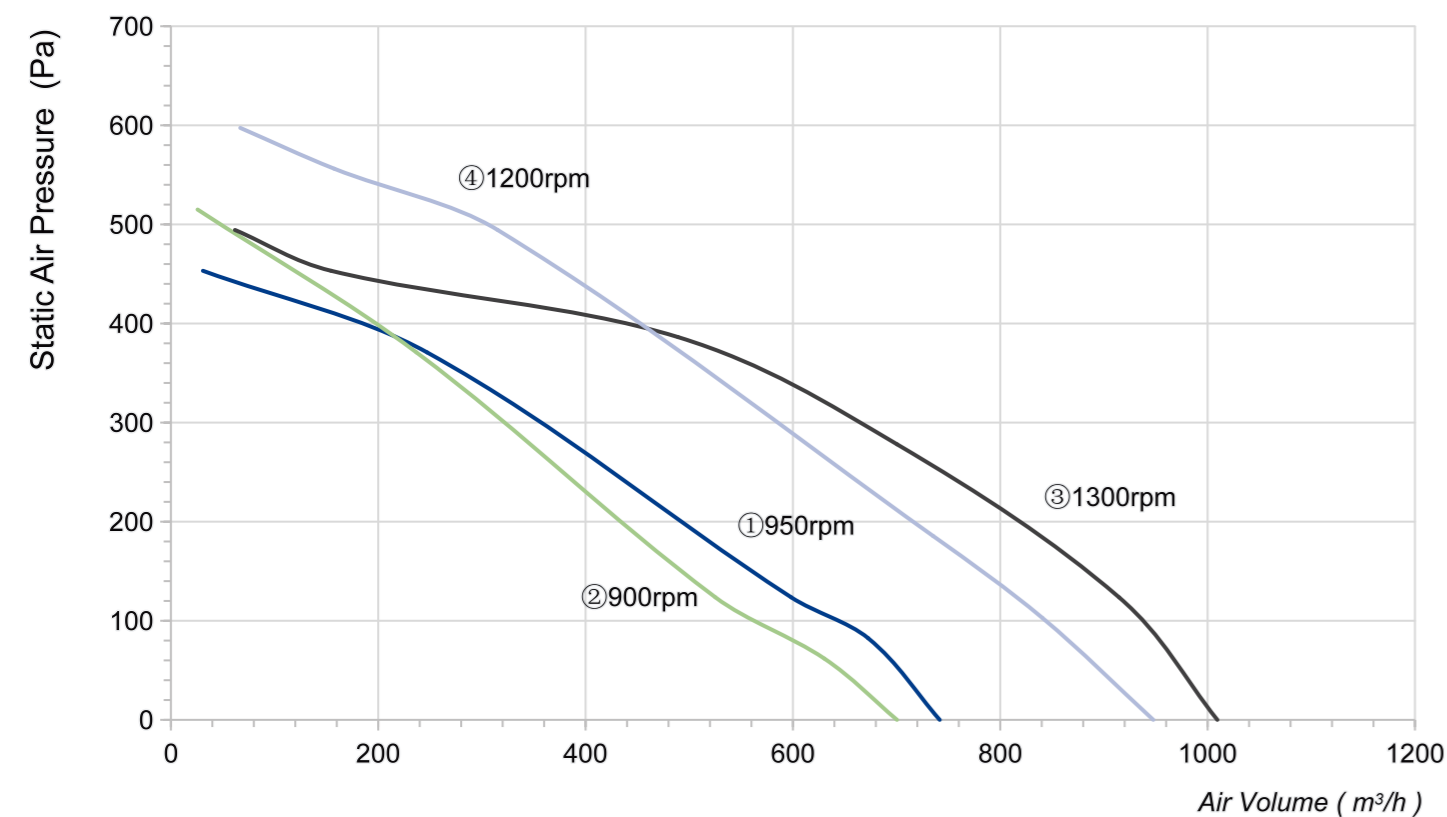
Product Characteristic

- Material : Metal
- Mode of operation: S1
- Type of operation: IP54
- Insulation class: F
- Bearing: Maintenance-free ball bearings
- Operation Temperature: -30~+60 C

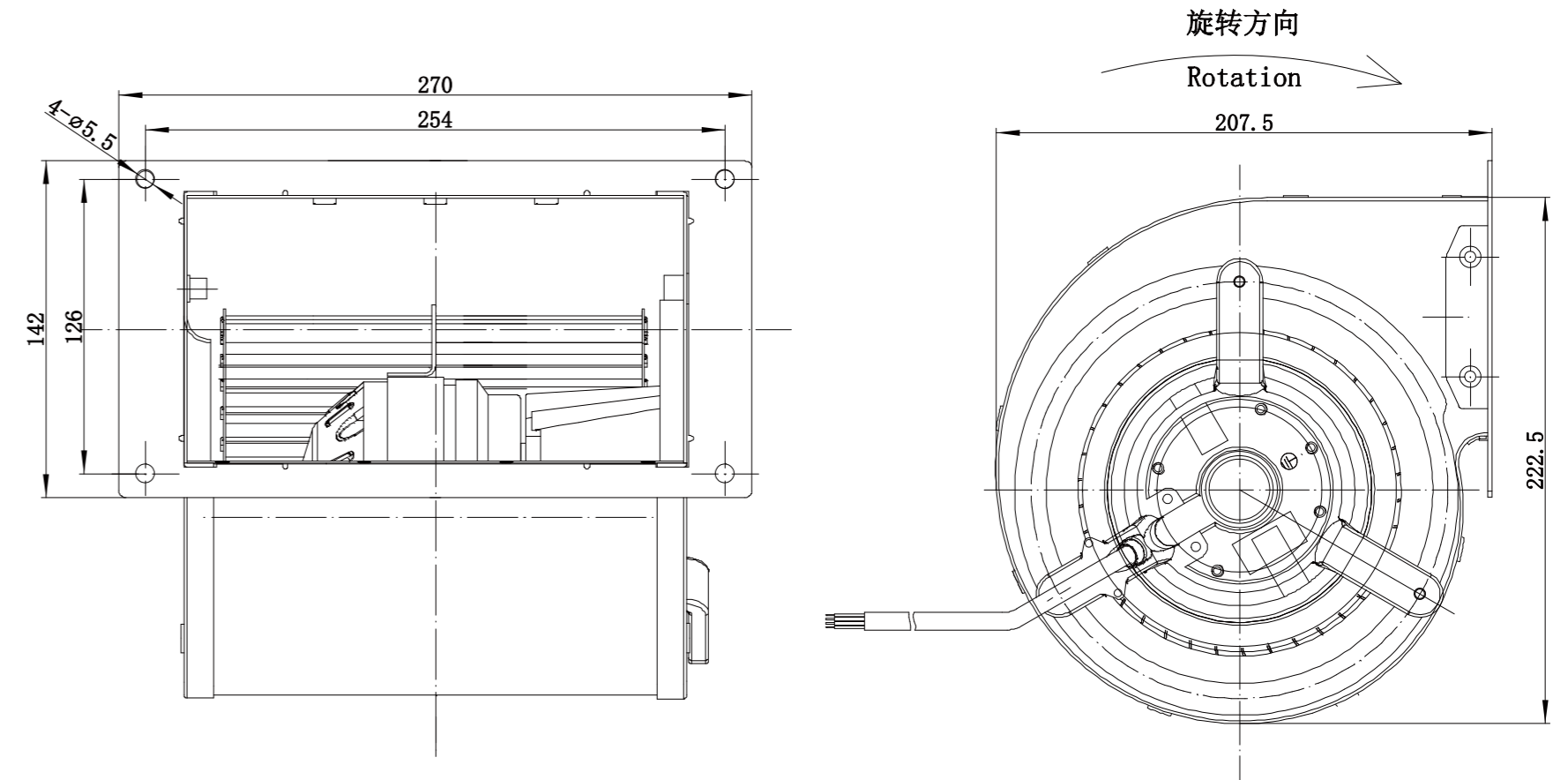


Technical Specifications

Model	Voltage (V)	Frequency (Hz)	Power (W)	Current (A)	Speed (RPM)	Air Flow (m³/h)	Air Pressure (Pa)	Noise [dB(A)]	Capacitor	Curve
LWFA2E146-092DS-01	230	50	175	0.79	950	742	453	58	5uF	①
LWFA2E146-092DS-02	230	60	190	0.85	900	700	515	58	5uF	②
LWFA2E146-092DS-03	230	50	275	1.25	1300	1009	494	69	8uF	③
LWFA2E146-092DS-04	230	60	295	1.35	1200	948	597	69	8uF	④



Product Drawing (mm)



LWFA-146 Series

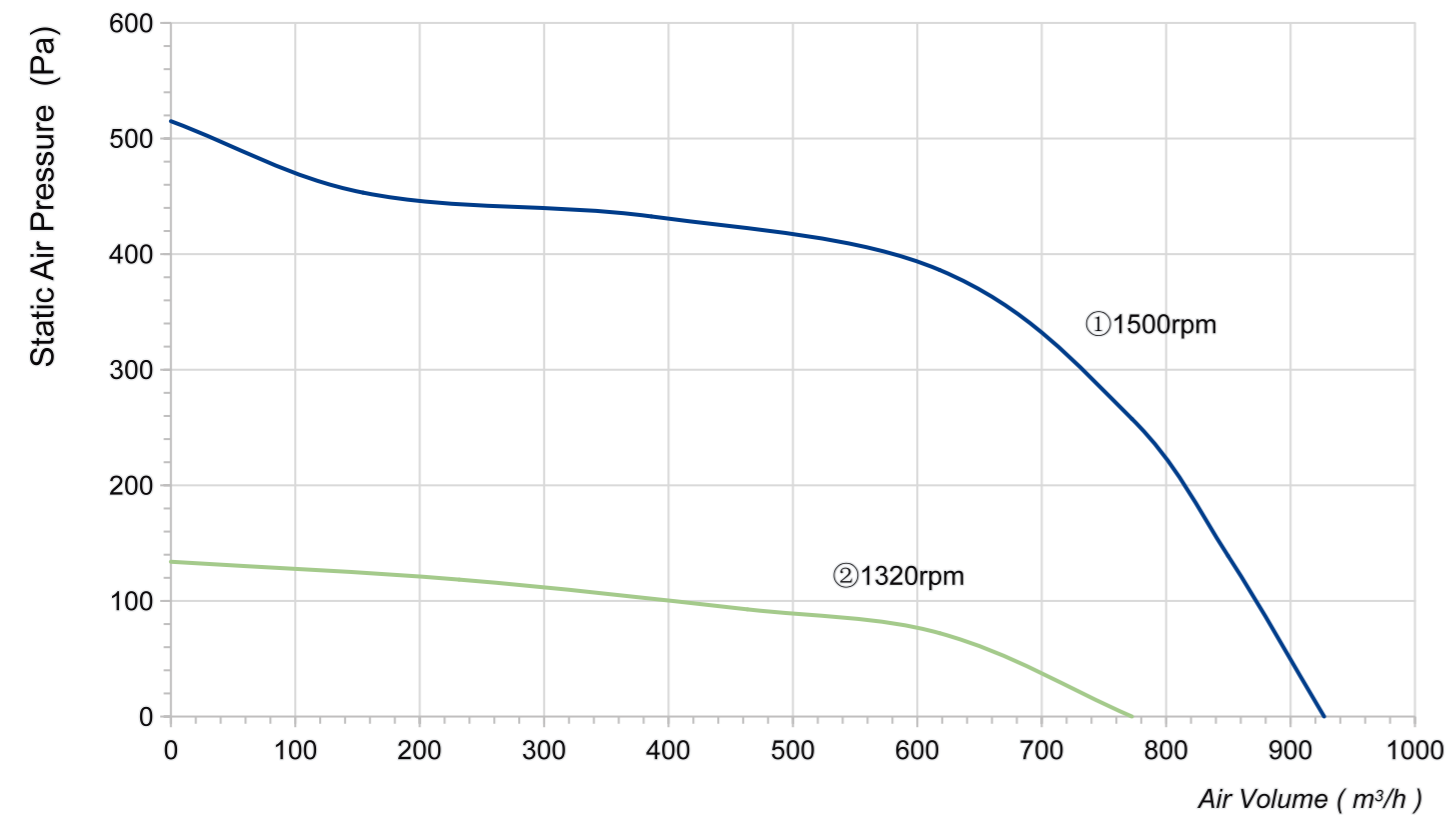
Product Characteristic

- Material : Metal
- Mode of operation: S1
- Type of operation: IP54
- Insulation class: F
- Bearing: Maintenance-free ball bearings
- Operation Temperature: -30~+60 C

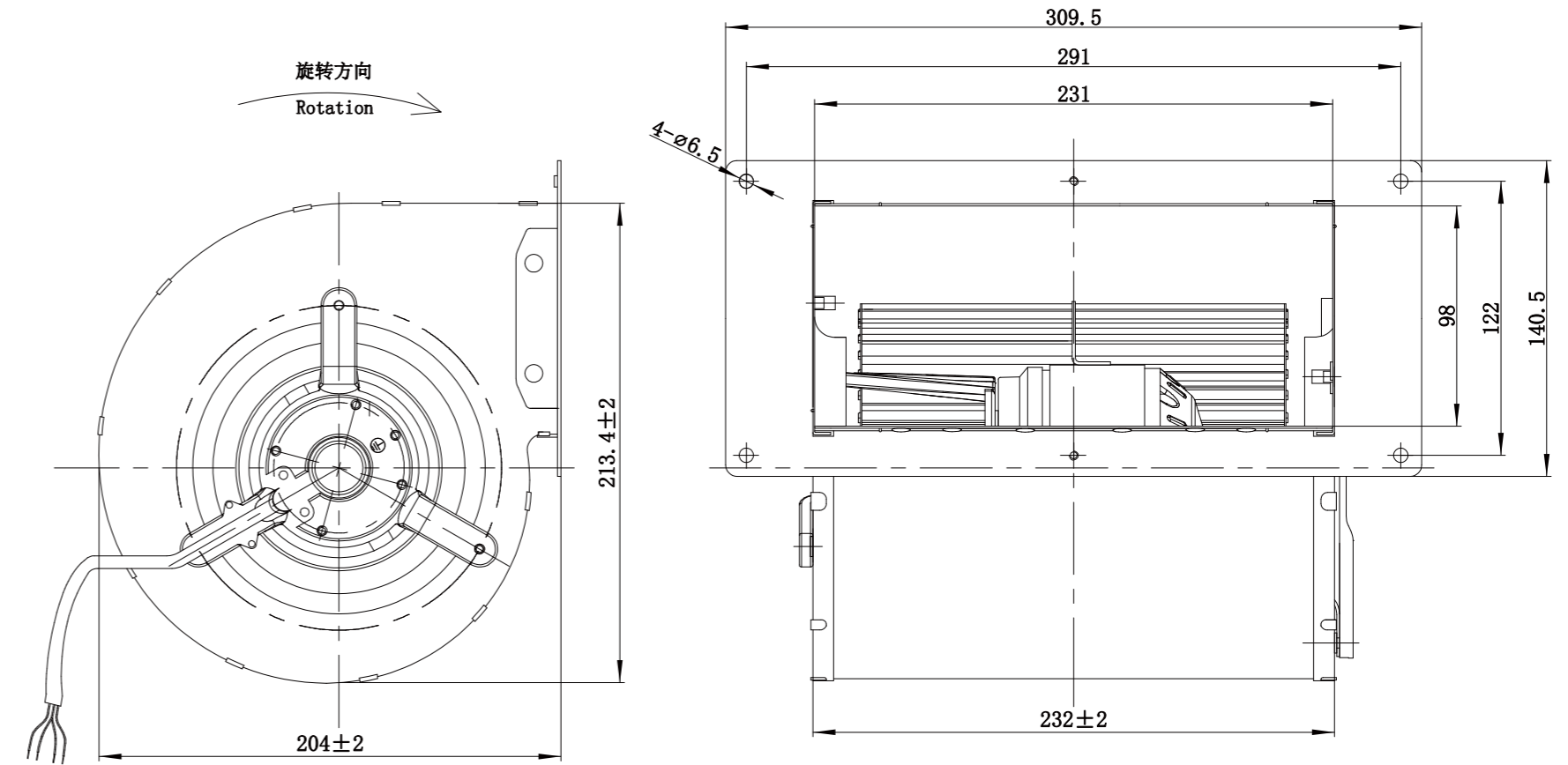


Technical Specifications

Model	Voltage (V)	Frequency (Hz)	Power (W)	Current (A)	Speed (RPM)	Air Flow (m³/h)	Air Pressure (Pa)	Noise [dB(A)]	Capacitor	Curve
LWFA2E146-092DS-05	230	50	250	1.2	1500	927	515	60	6uF	①
LWFA4E146-092DS-06	230	50	100	0.54	1320	773	134	52	3uF	②



Product Drawing (mm)



LWFA-146 Series

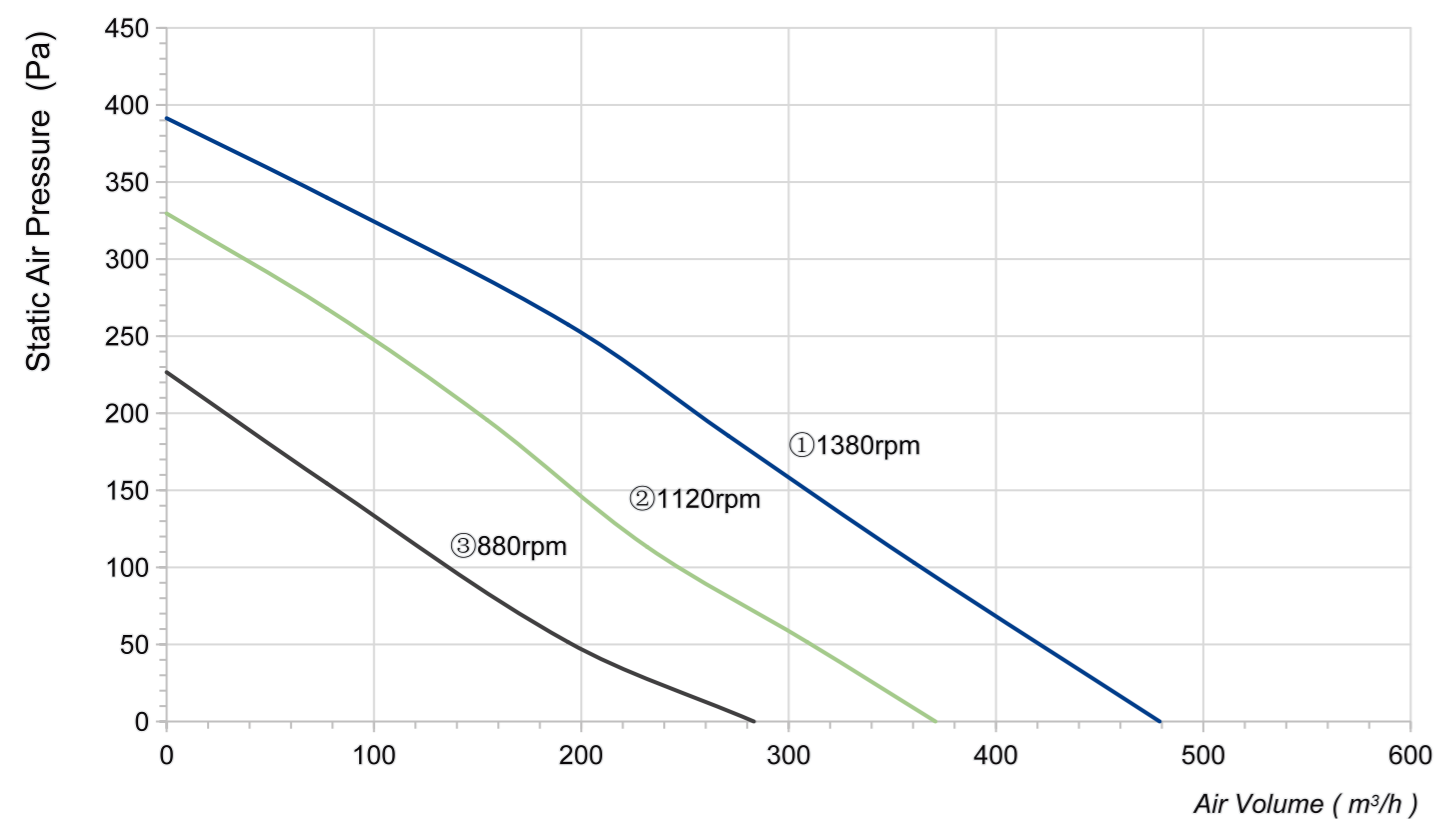
Product Characteristic

- Material : Metal
- Mode of operation: S1
- Type of operation: IP54
- Insulation class: F
- Bearing: Maintenance-free ball bearings
- Operation Temperature: -30~+60 C

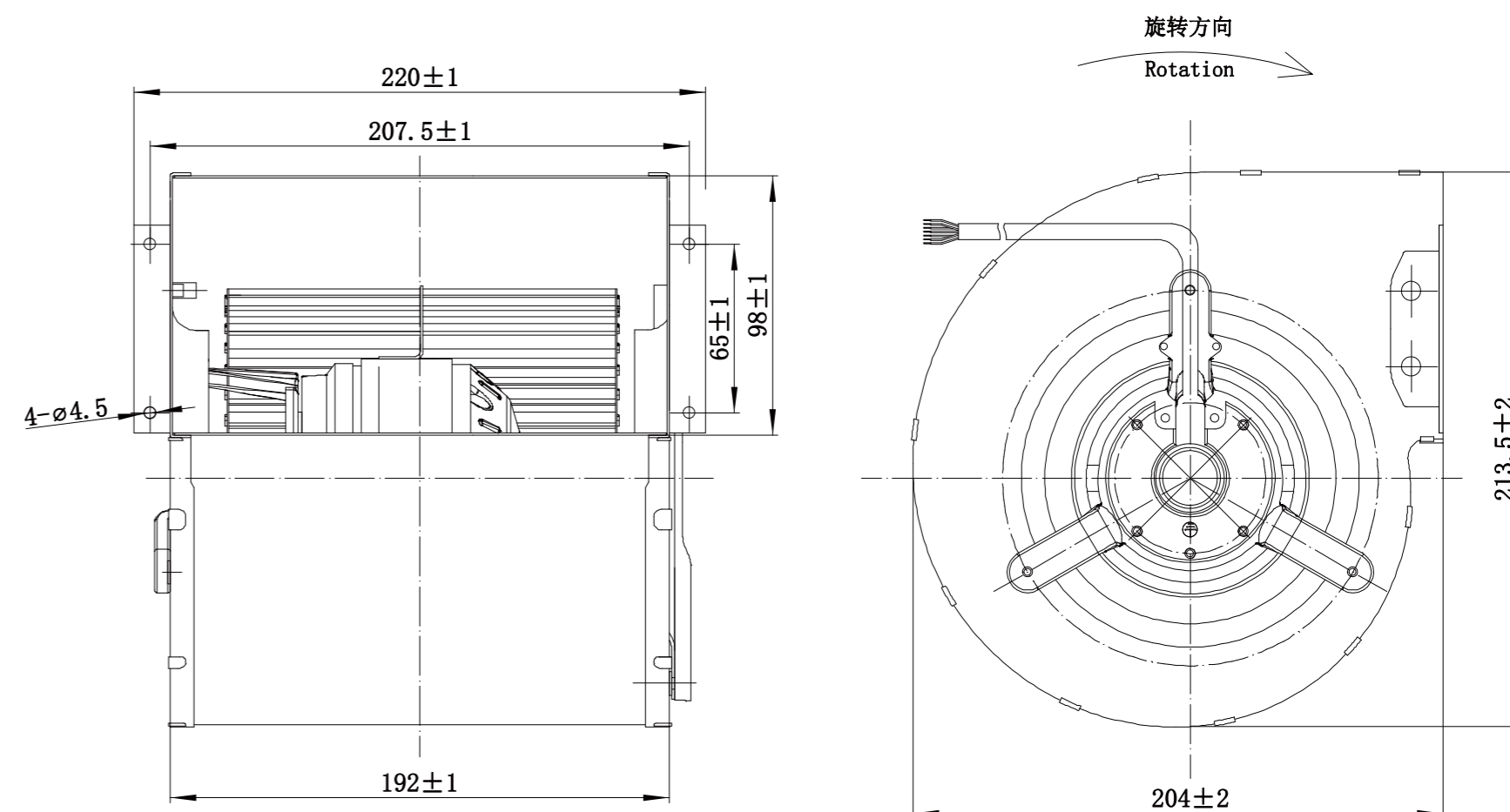


Technical Specifications

Model	Voltage (V)	Frequency (Hz)	Power (W)	Current (A)	Speed (RPM)	Air Flow (m³/h)	Air Pressure (Pa)	Noise [dB(A)]	Capacitor	Curve
			105	0.43	1380	479	391	40	2.5uF	①
LWFA2E146-092DS-07	230	50	75	0.35	1120	371	330	35	2.5uF	②
			58	0.3	880	283	227	29	2.5uF	③



Product Drawing (mm)



LWFA-146 Series

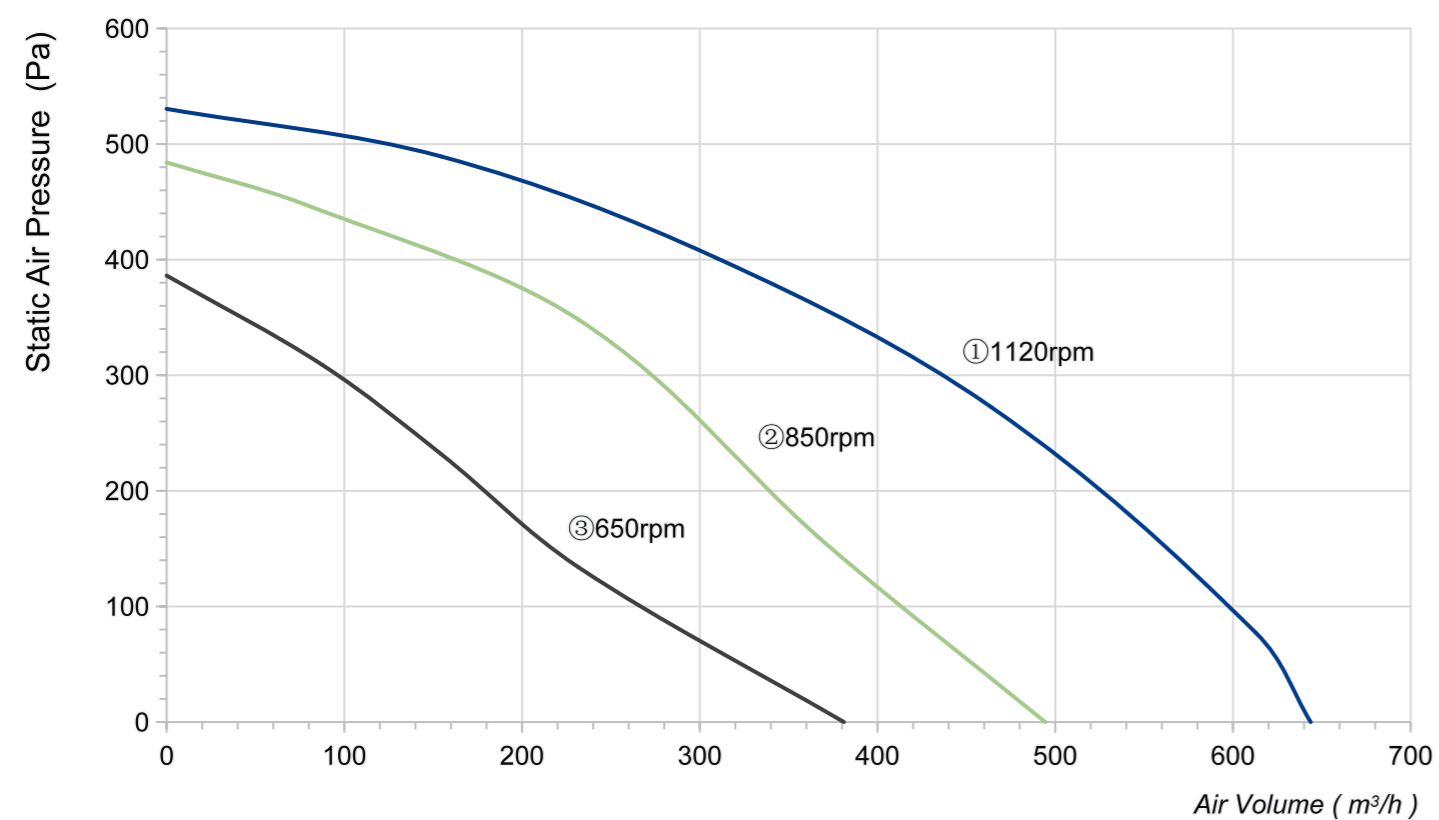
Product Characteristic

- Material : Metal
- Mode of operation: S1
- Type of operation: IP54
- Insulation class: F
- Bearing: Maintenance-free ball bearings
- Operation Temperature: -30~+60 C

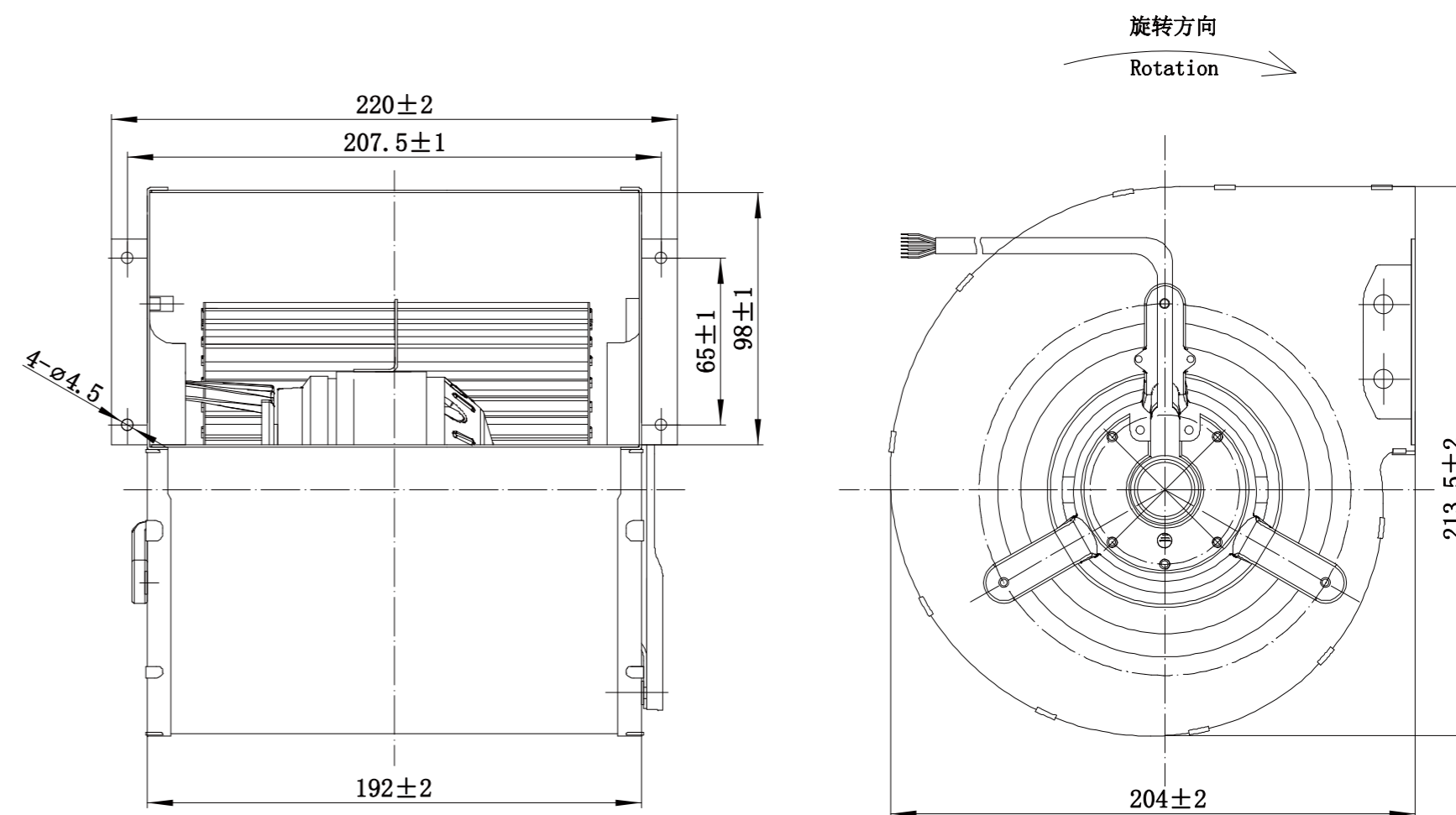


Technical Specifications

Model	Voltage (V)	Frequency (Hz)	Power (W)	Current (A)	Speed (RPM)	Air Flow (m³/h)	Air Pressure (Pa)	Noise [dB(A)]	Capacitor	Curve
			250	1.15	1120	639	536	56	4uF	①
LWFA2E146-092DS-08	230	50	205	0.94	850	494	484	49	4uF	②
			175	0.8	650	381	386	42	4uF	③



Product Drawing (mm)



LWFA-146 Series

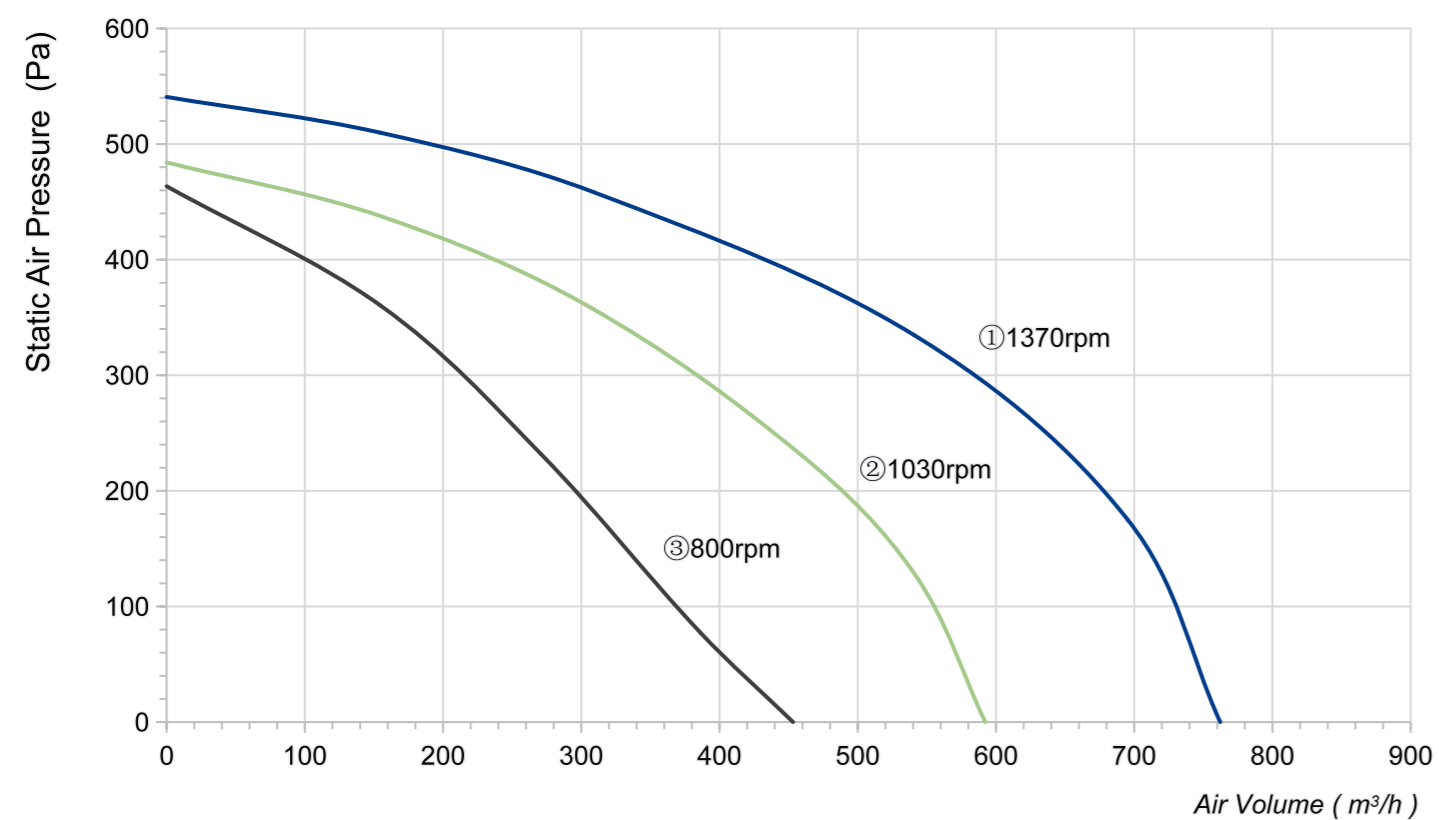
Product Characteristic

- Material : Metal
- Mode of operation: S1
- Type of operation: IP54
- Insulation class: F
- Bearing: Maintenance-free ball bearings
- Operation Temperature: -30~+60 C

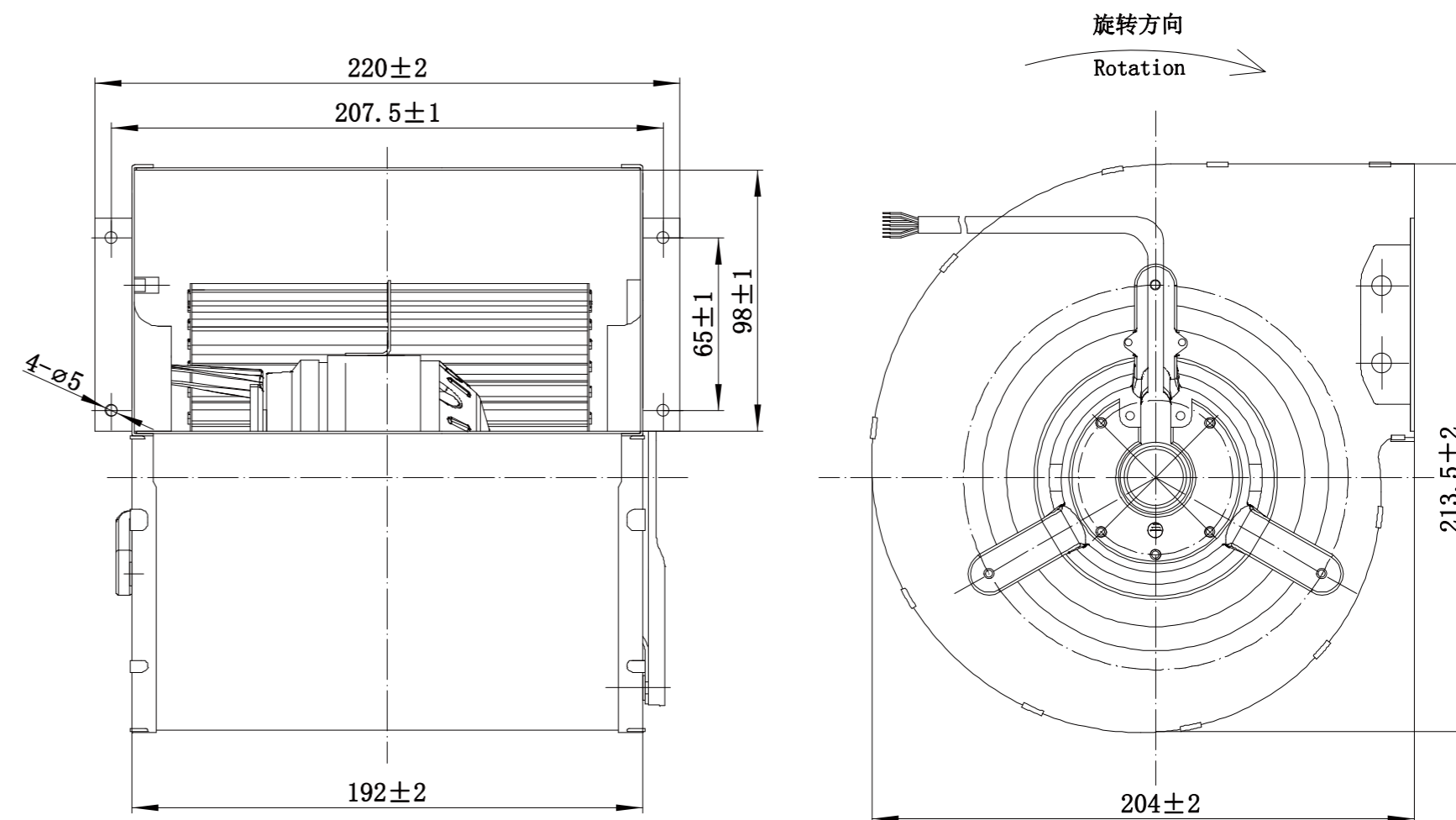


Technical Specifications

Model	Voltage (V)	Frequency (Hz)	Power (W)	Current (A)	Speed (RPM)	Air Flow (m³/h)	Air Pressure (Pa)	Noise [dB(A)]	Capacitor	Curve
			260	1.18	1370	762	541	60	6uF	①
LWFA2E146-092DS-09	230	50	210	0.96	1030	592	484	53	6uF	②
			180	0.82	800	453	464	46	6uF	③



Product Drawing (mm)



LWFA-180 Series

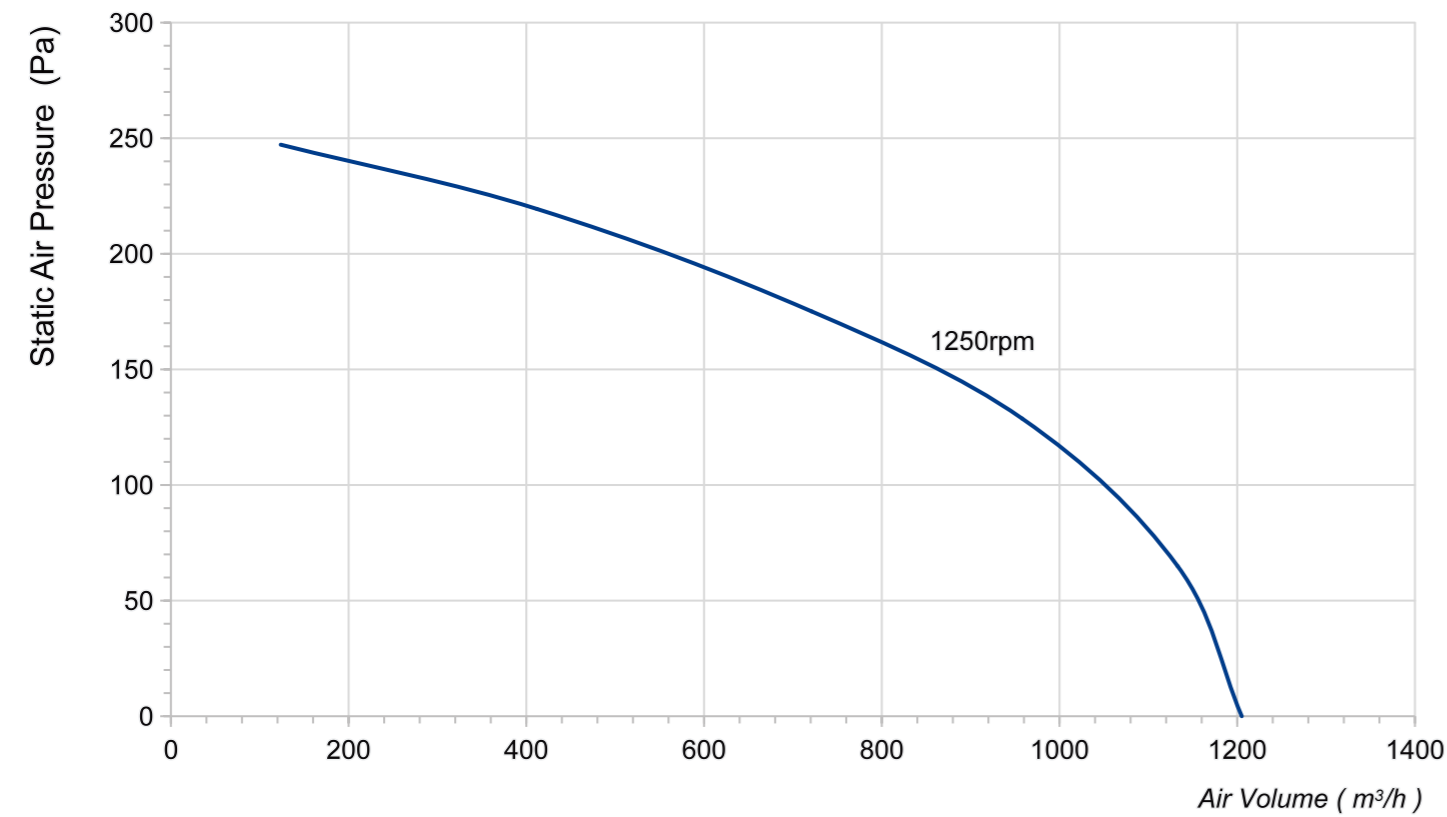
Product Characteristic

- Material : Metal
- Mode of operation: S1
- Type of operation: IP54
- Insulation class: F
- Bearing: Maintenance-free ball bearings
- Operation Temperature: -30~+60 C

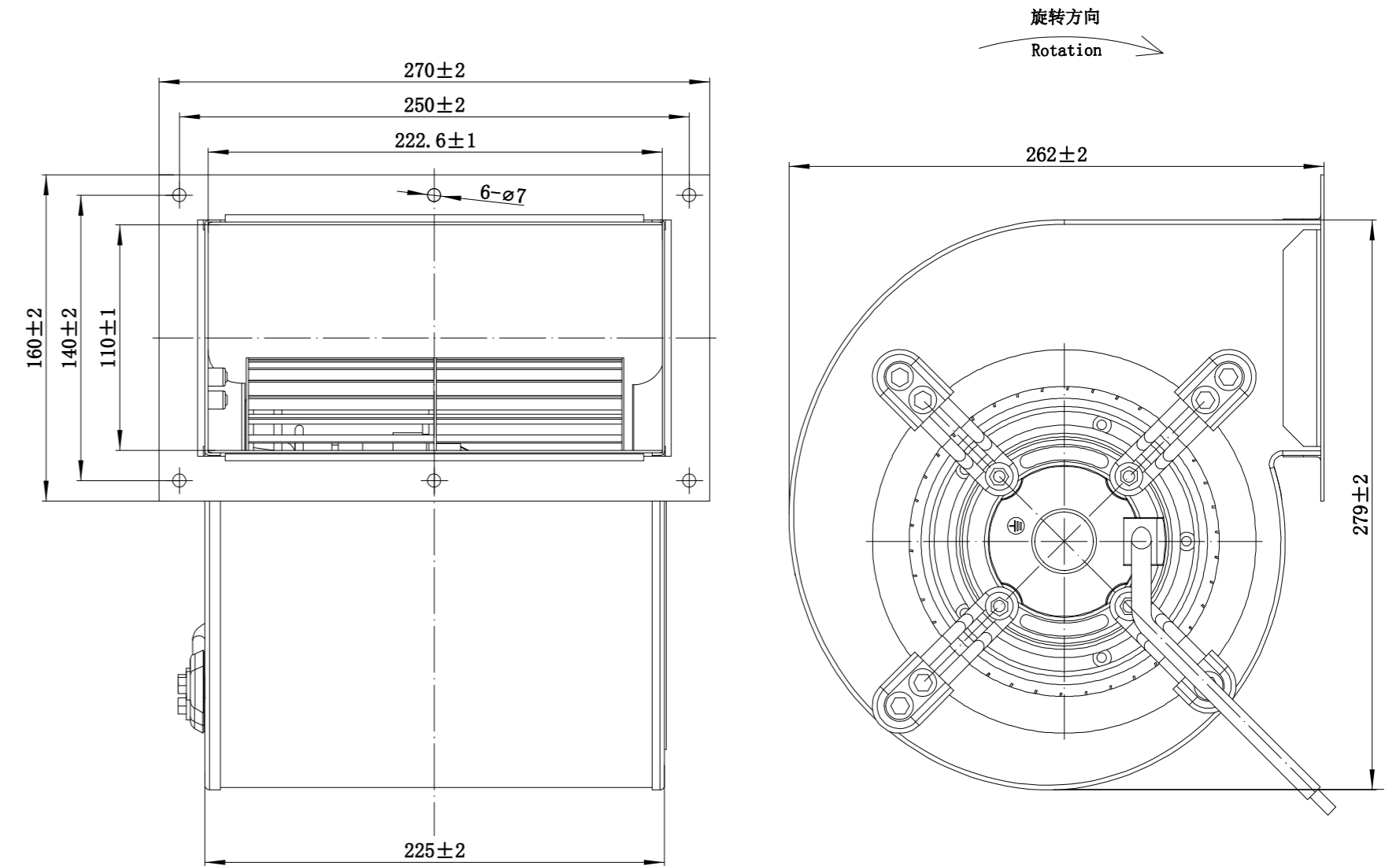


Technical Specifications

Model	Voltage (V)	Frequency (Hz)	Power (W)	Current (A)	Speed (RPM)	Air Flow (m³/h)	Air Pressure (Pa)	Noise [dB(A)]	Capacitor	Curve
LWFA4E180-092DS-01	230	50	200	0.92	1250	1205	247	63	4uF	/



Product Drawing (mm)



LWFA-250 Series

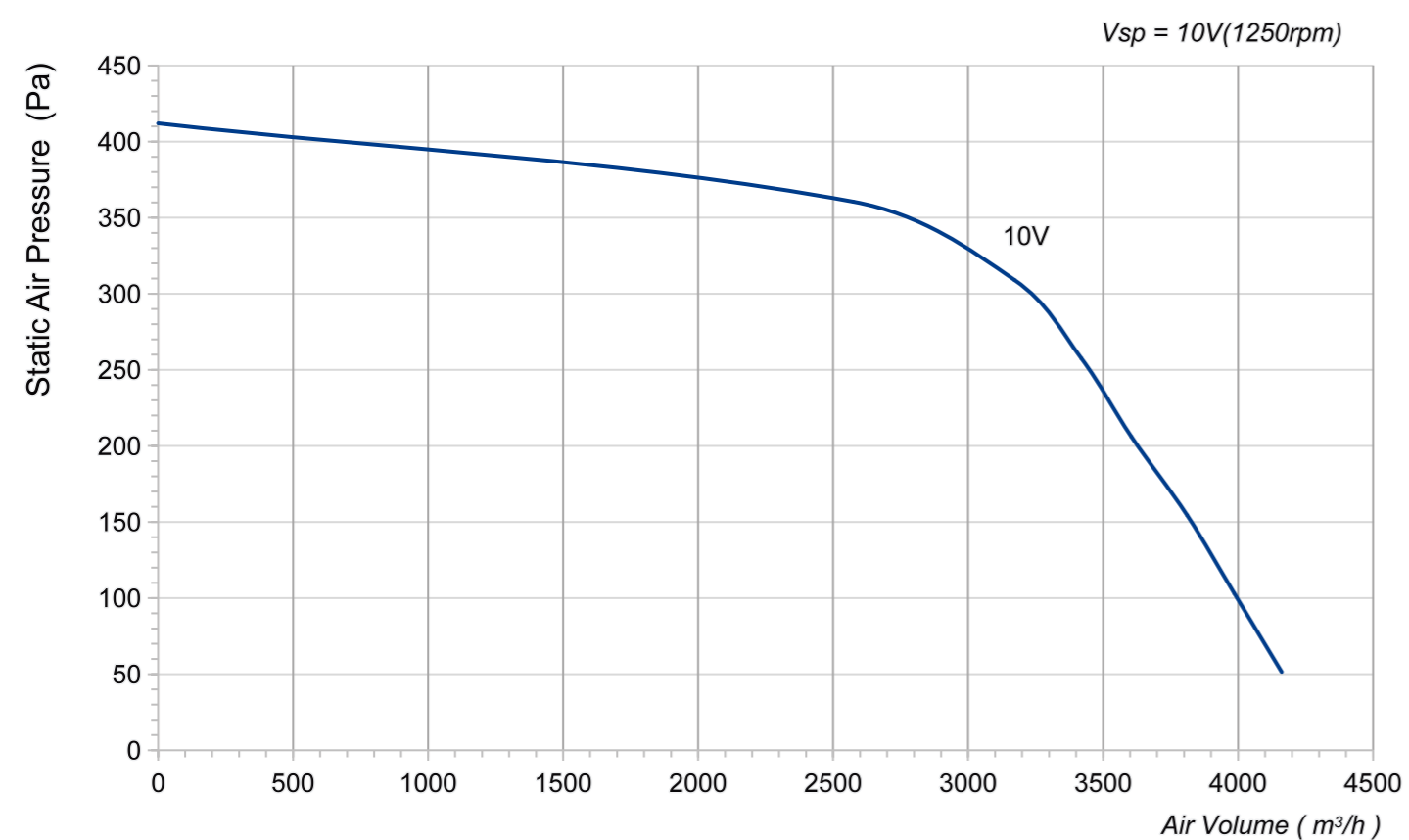
Product Characteristic

- Material : Metal
- Mode of operation: S1
- Type of operation: IP54
- Insulation class: F
- Bearing: Maintenance-free ball bearings
- Operation Temperature: -30~+60 C

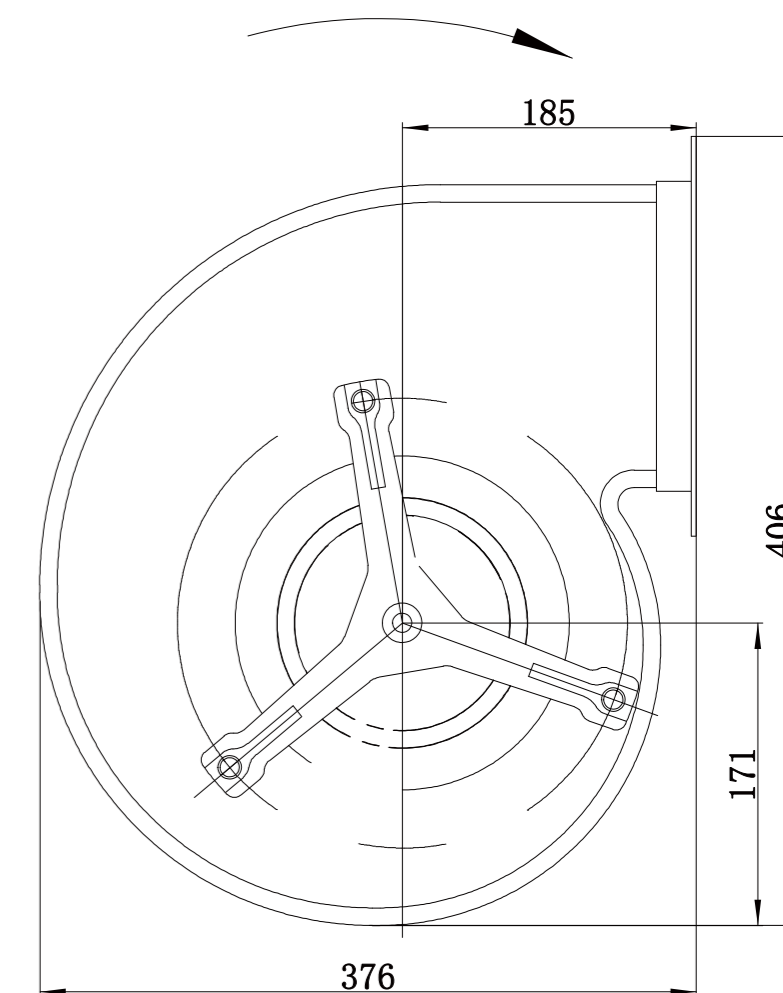
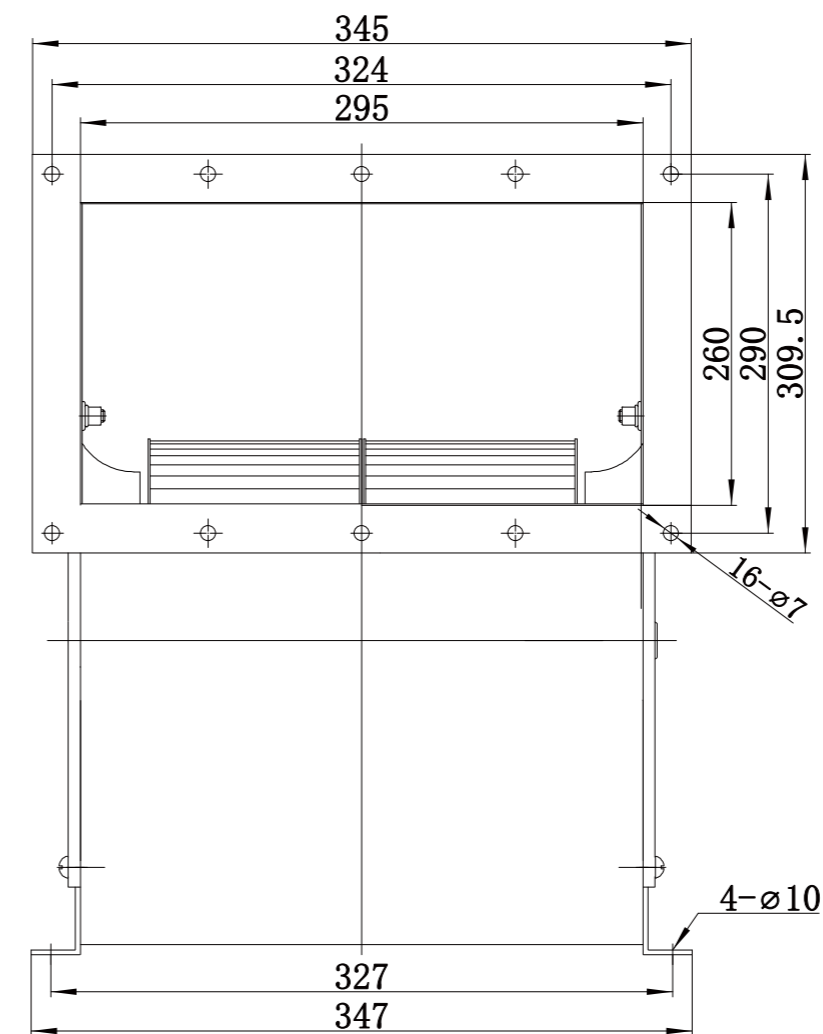


Technical Specifications

Model	Voltage (V)	Frequency (Hz)	Power (W)	Current (A)	Speed (RPM)	Air Flow (m³/h)	Air Pressure (Pa)	Noise [dB(A)]	Capacitor	Curve
LWFA4D250-102DS-04	380	50	1200	2.1	1250	4161	412	77	/	/



Product Drawing (mm)



LWFA-250 Series

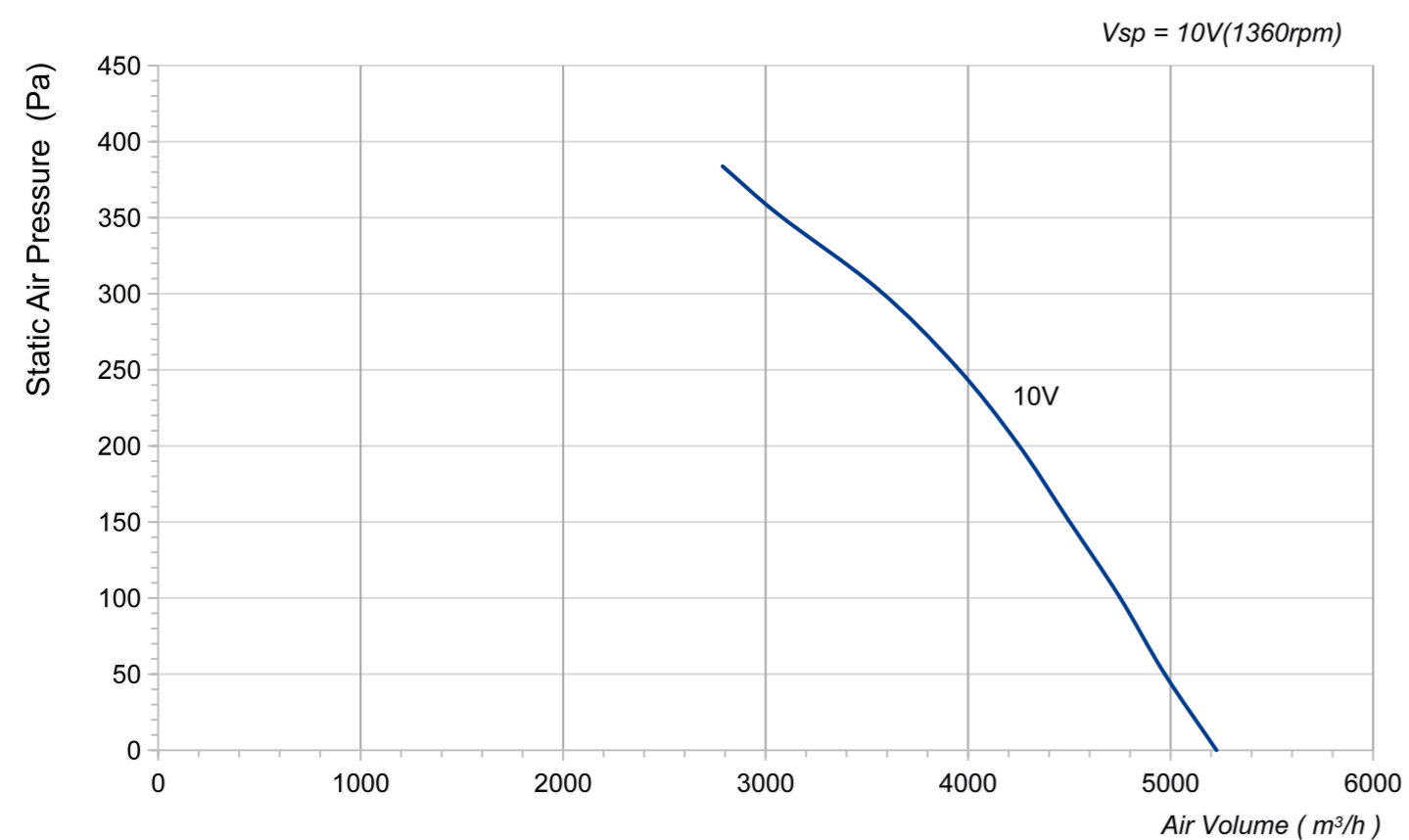
Product Characteristic

- Material : Metal
- Mode of operation: S1
- Type of operation: IP54
- Insulation class: F
- Bearing: Maintenance-free ball bearings
- Operation Temperature: -30~+60 C

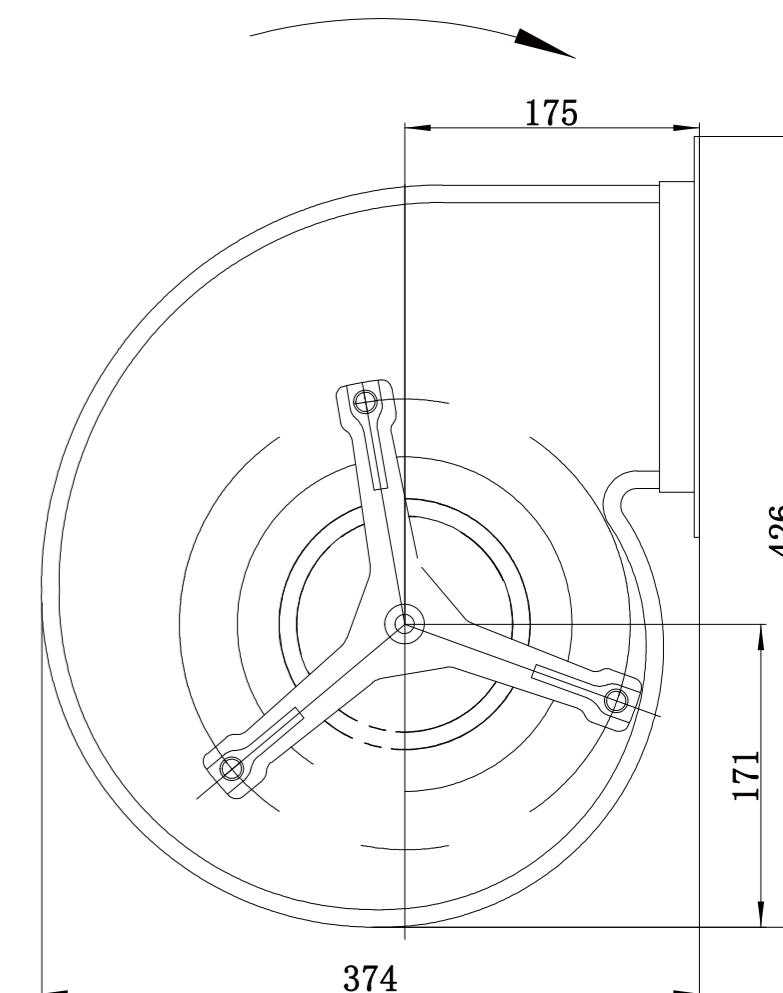
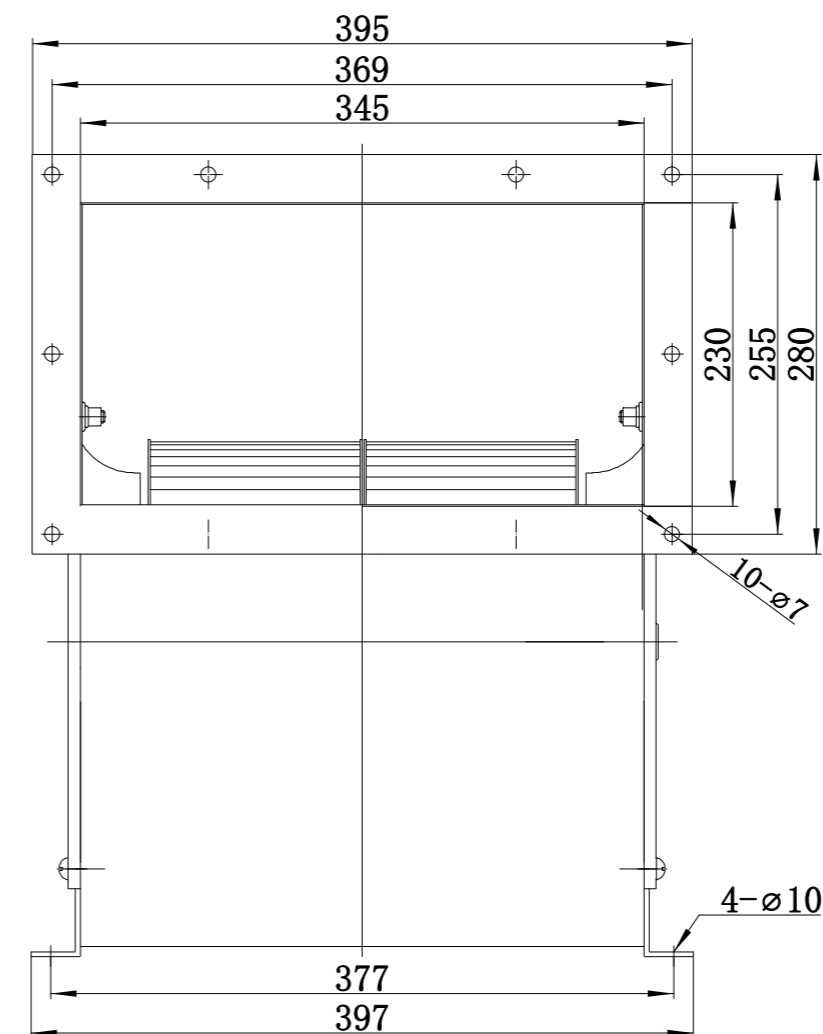


Technical Specifications

Model	Voltage (V)	Frequency (Hz)	Power (W)	Current (A)	Speed (RPM)	Air Flow (m³/h)	Air Pressure (Pa)	Noise [dB(A)]	Capacitor	Curve
LWFA4D250-102DS-05	380	50	1380	2.5	1360	5227	384	77	/	/



Product Drawing (mm)



LWFA-300 Series

Product Characteristic

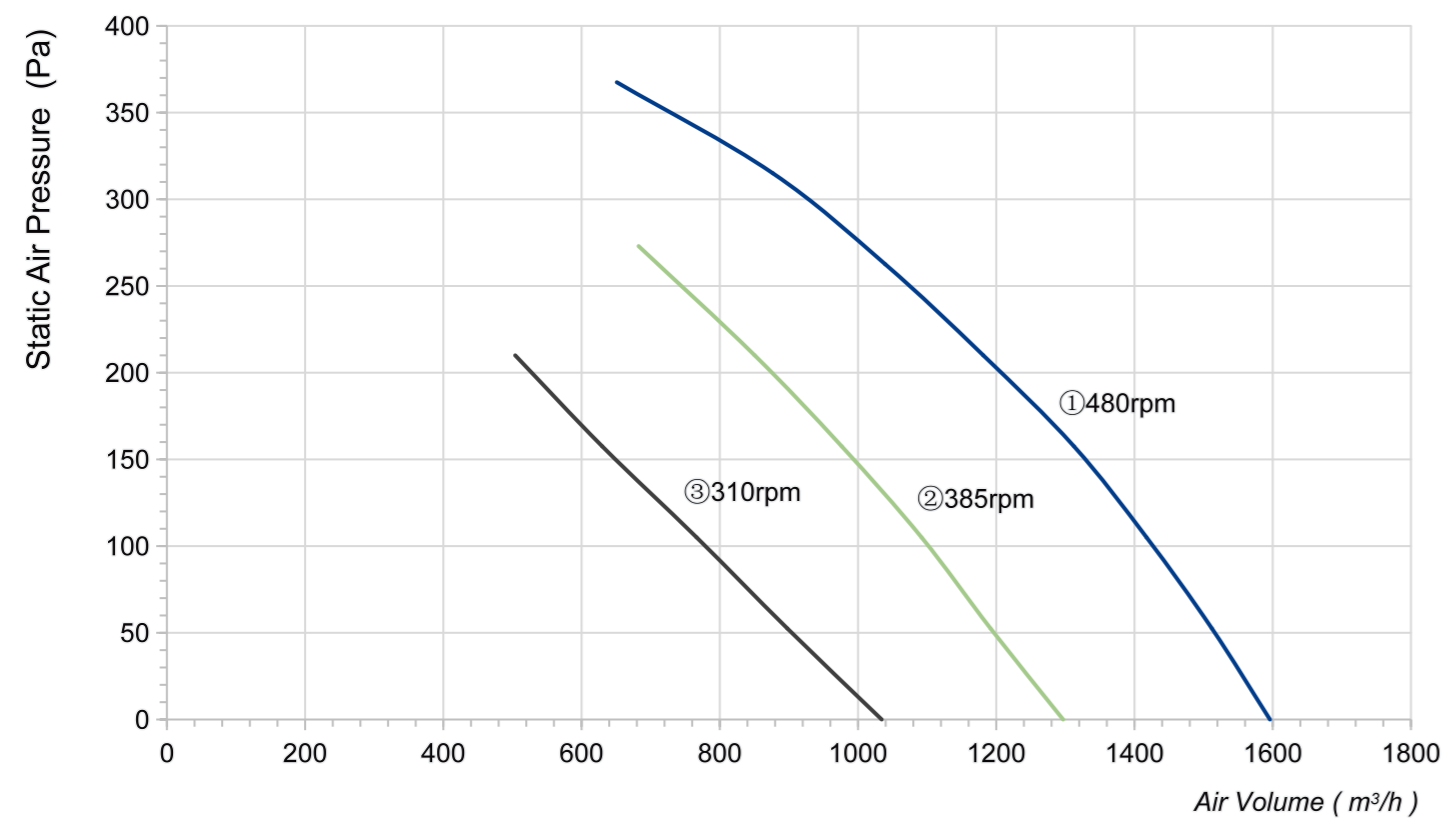
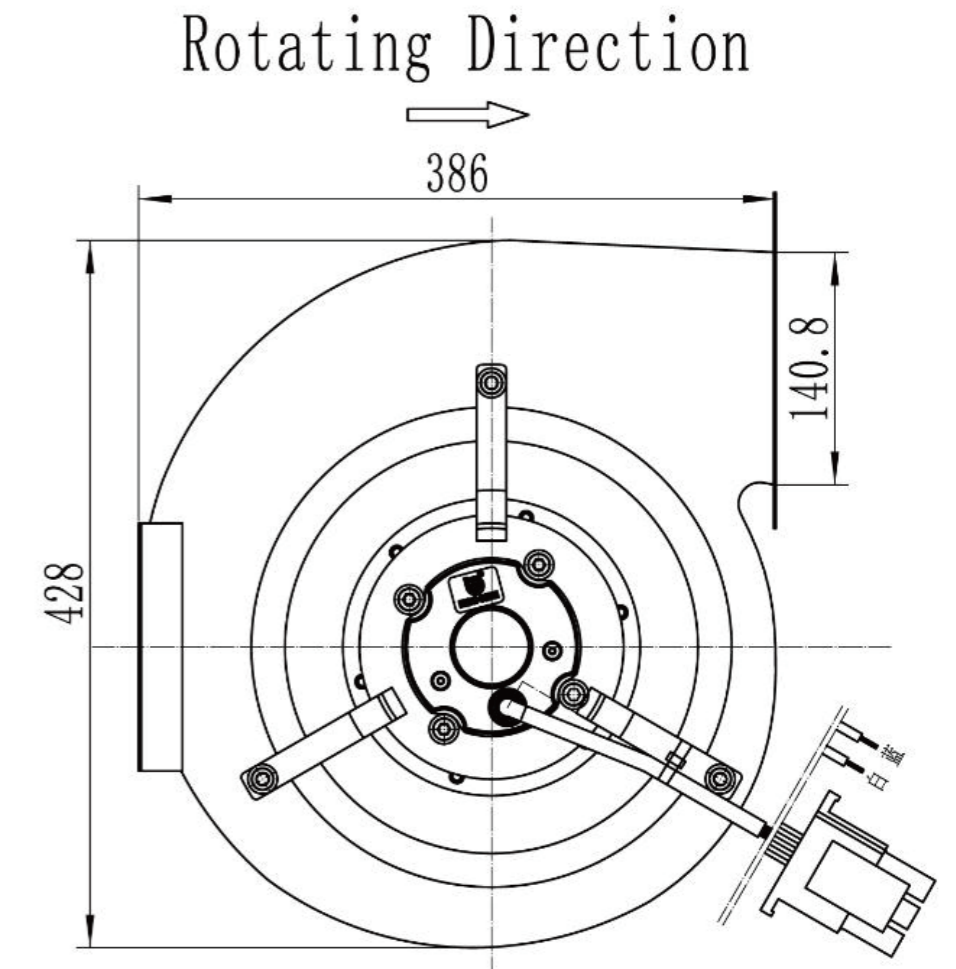
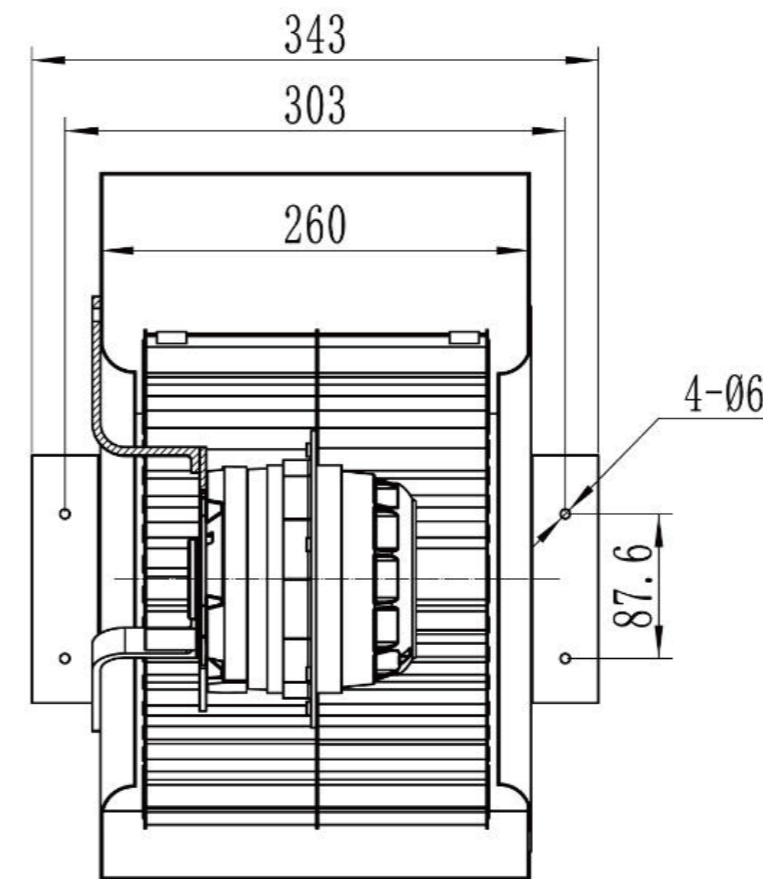
- Material : Metal
- Mode of operation: S1
- Type of operation: IP54
- Insulation class: F
- Bearing: Maintenance-free ball bearings
- Operation Temperature: -30~+60 C



Technical Specifications

Model	Voltage (V)	Frequency (Hz)	Power (W)	Current (A)	Speed (RPM)	Air Flow (m³/h)	Air Pressure (Pa)	Noise [dB(A)]	Capacitor	Curve
			386	1.68	480	1596	368	/	8uF	①
LWFA6E300-138DS-01	230	50	298	1.3	385	1297	273	/	8uF	②
			259	1.13	310	1034	210	/	8uF	③

Product Drawing (mm)



LWFA-146 Series

Product Characteristic

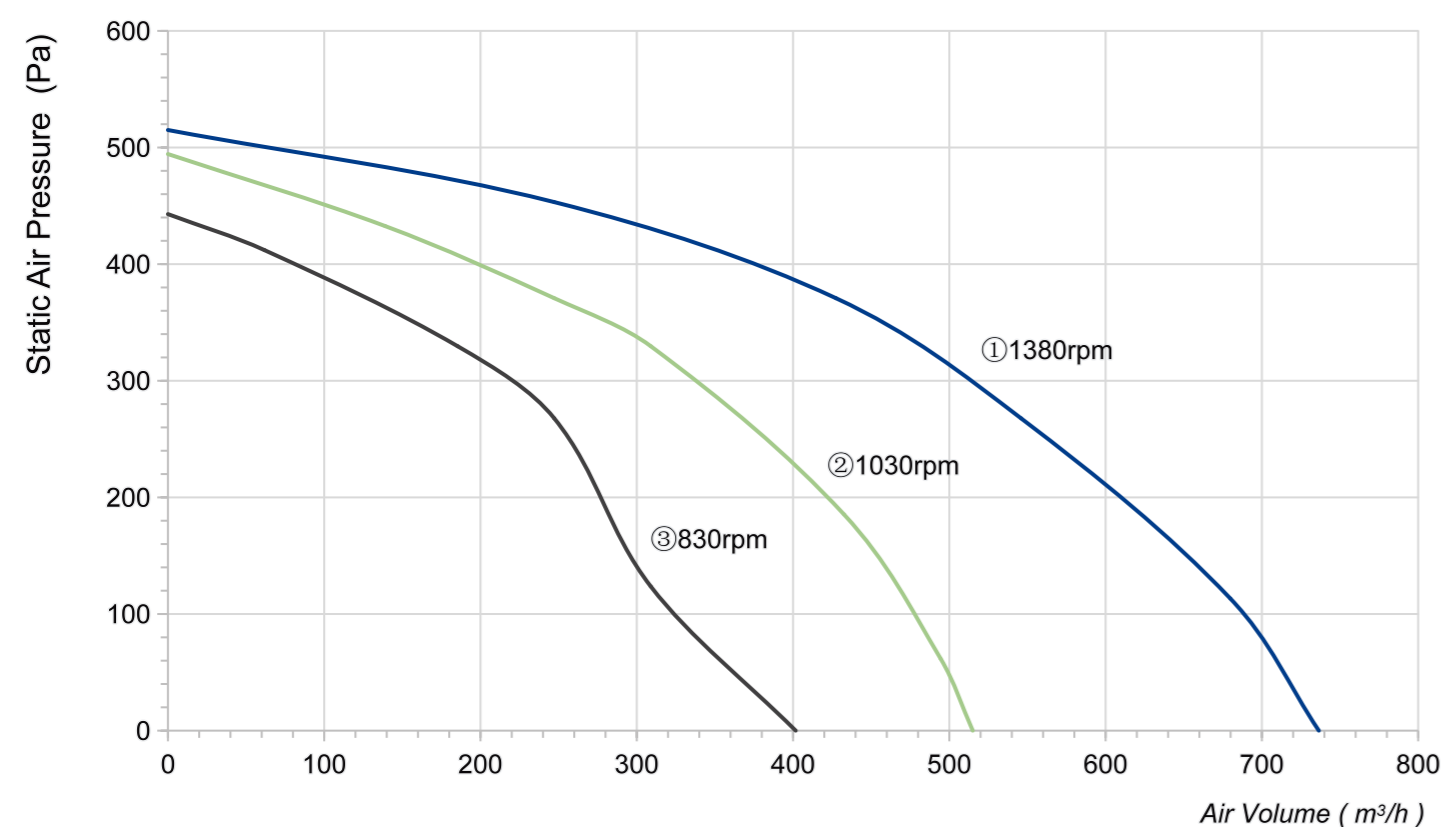
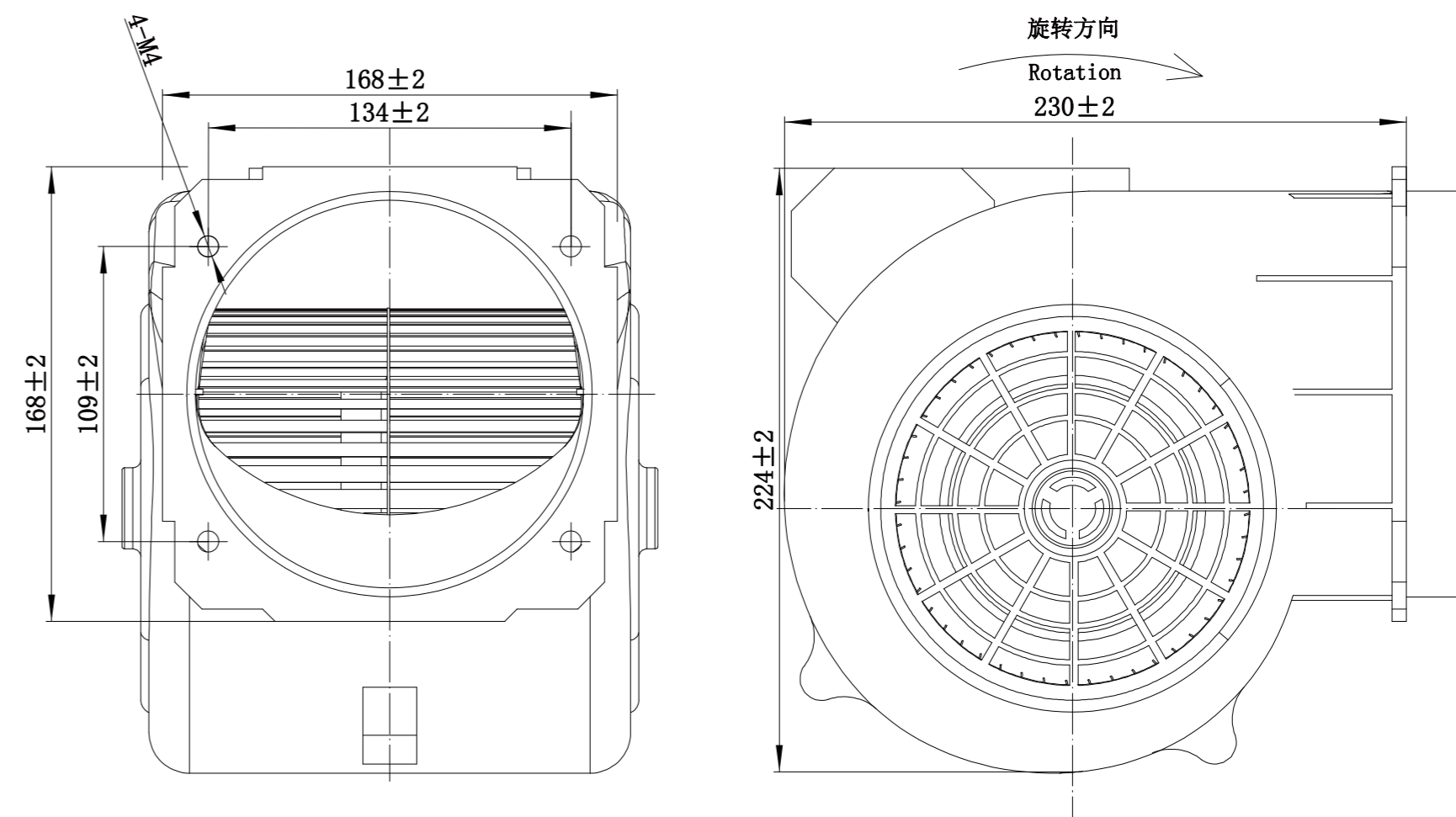
- Material : Plastic
- Mode of operation: S1
- Type of operation: IP54
- Insulation class: F
- Bearing: Maintenance-free ball bearings
- Operation Temperature: -30~+60 C



Technical Specifications

Model	Voltage (V)	Frequency (Hz)	Power (W)	Current (A)	Speed (RPM)	Air Flow (m³/h)	Air Pressure (Pa)	Noise [dB(A)]	Capacitor	Curve
			235	1.1	1380	736	515	57	4uF	①
LWFA2E146-092DS-10	230	50	195	0.95	1030	515	494	48	4uF	②
			165	0.75	830	402	443	42	4uF	③

Product Drawing (mm)



LWFA-146 Series

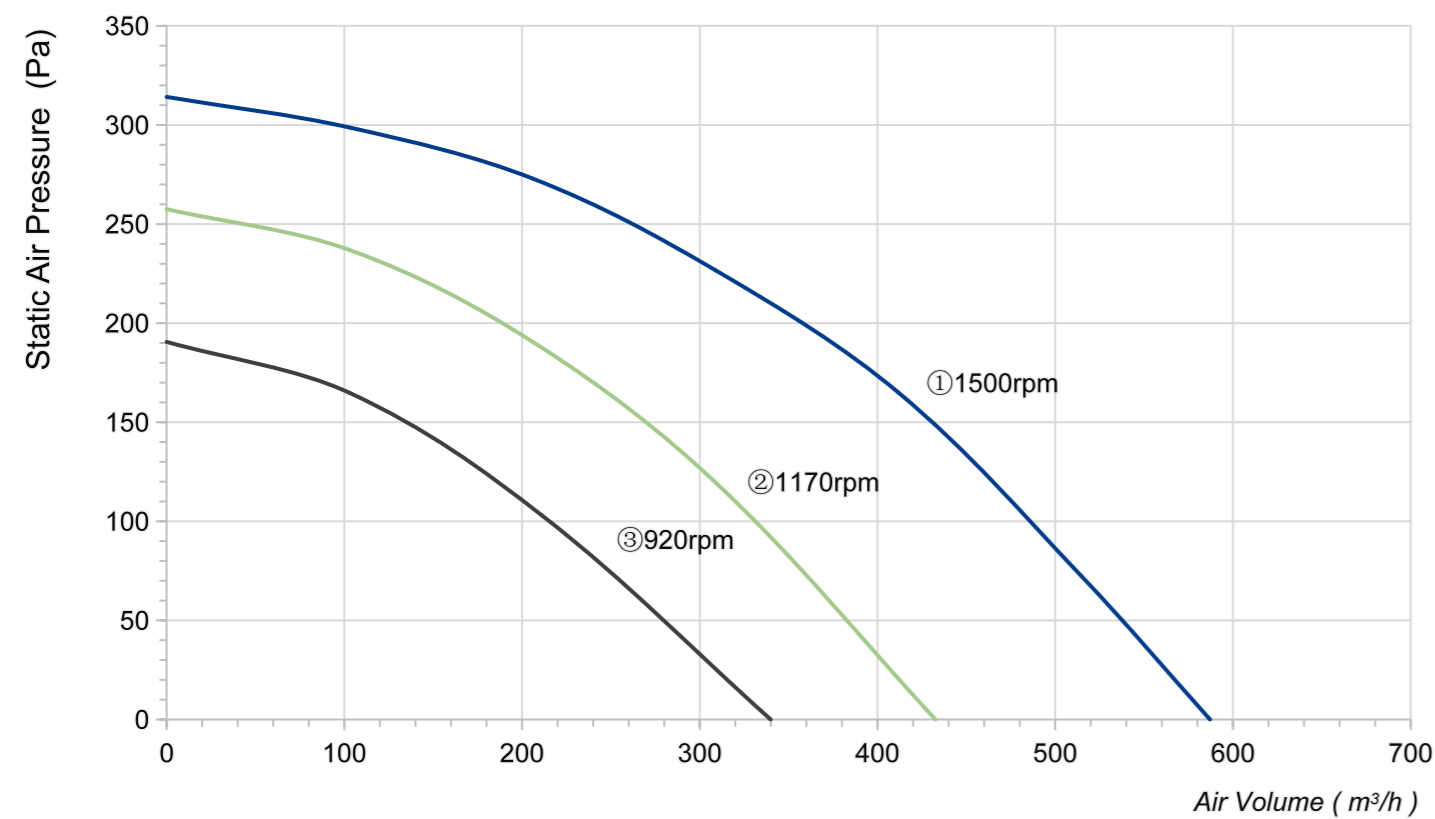
Product Characteristic

- Material : Plastic
- Mode of operation: S1
- Type of operation: IP54
- Insulation class: F
- Bearing: Maintenance-free ball bearings
- Operation Temperature: -30~+60 C

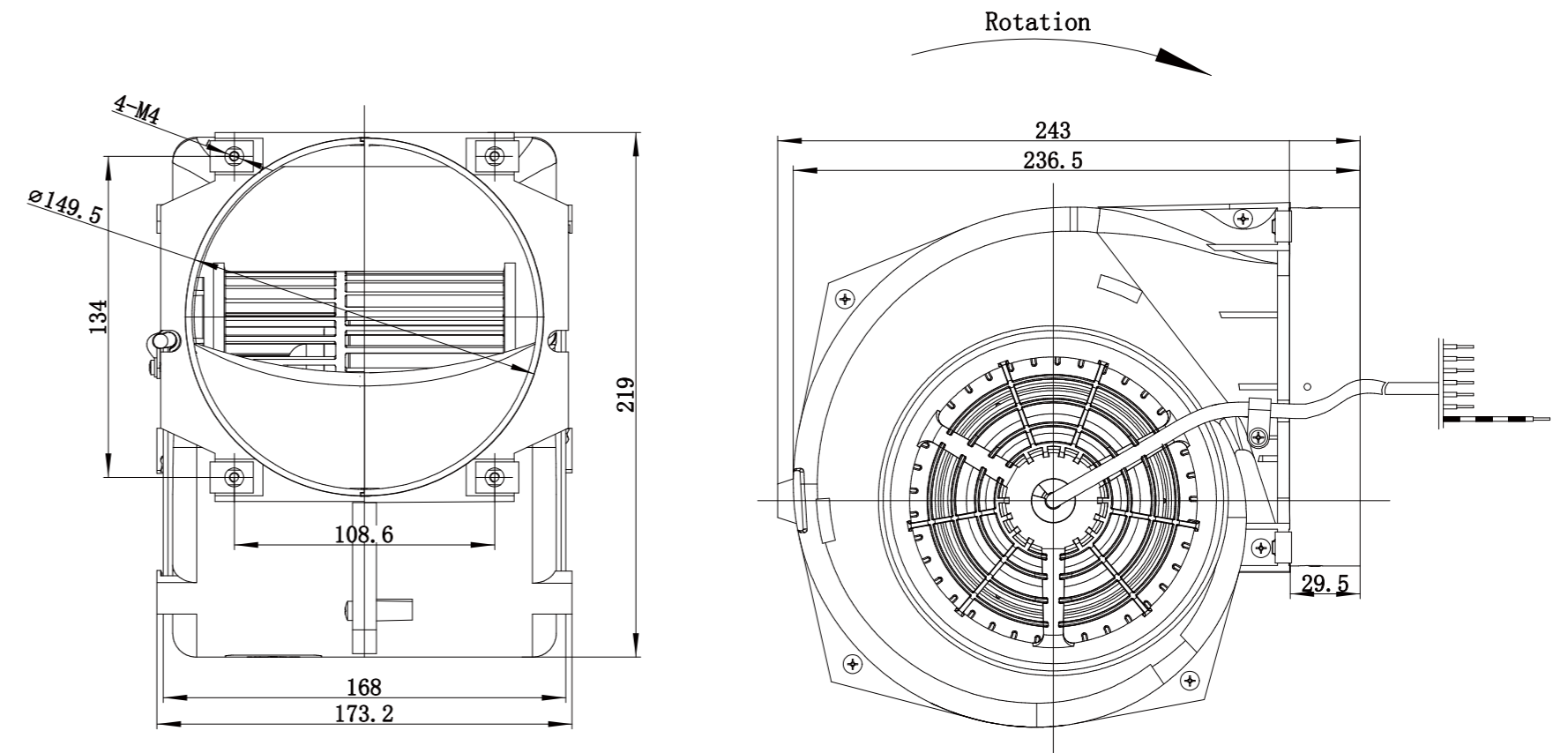


Technical Specifications

Model	Voltage (V)	Frequency (Hz)	Power (W)	Current (A)	Speed (RPM)	Air Flow (m³/h)	Air Pressure (Pa)	Noise [dB(A)]	Capacitor	Curve
			125	0.53	1500	587	314	61	4/450uF	①
LWFA2E146-092DS-11	230	50	93	0.43	1170	433	258	58	4/450uF	②
			79	0.38	920	340	191	55	4/450uF	③



Product Drawing (mm)



LWFA-146 Series

Product Characteristic

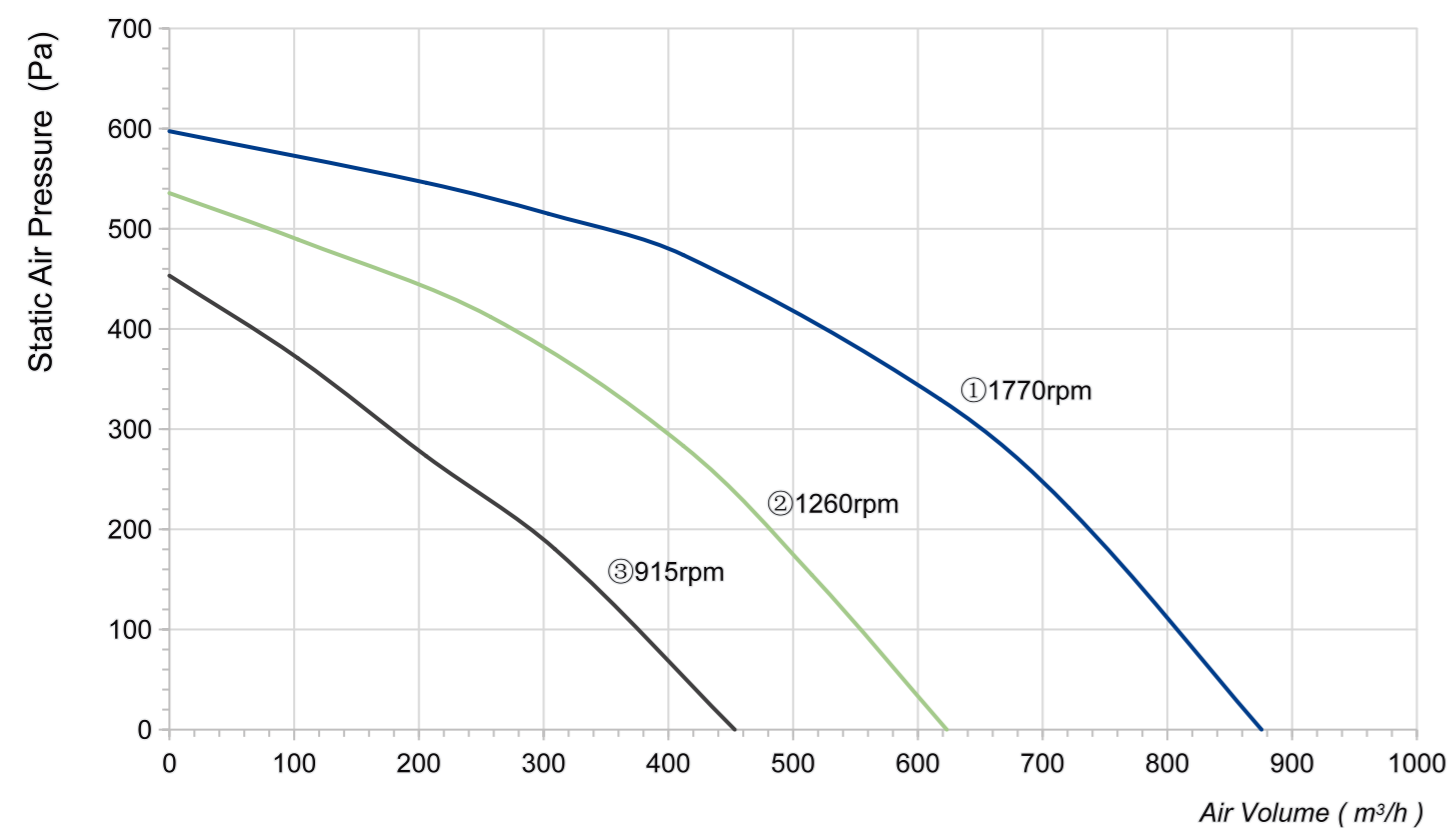
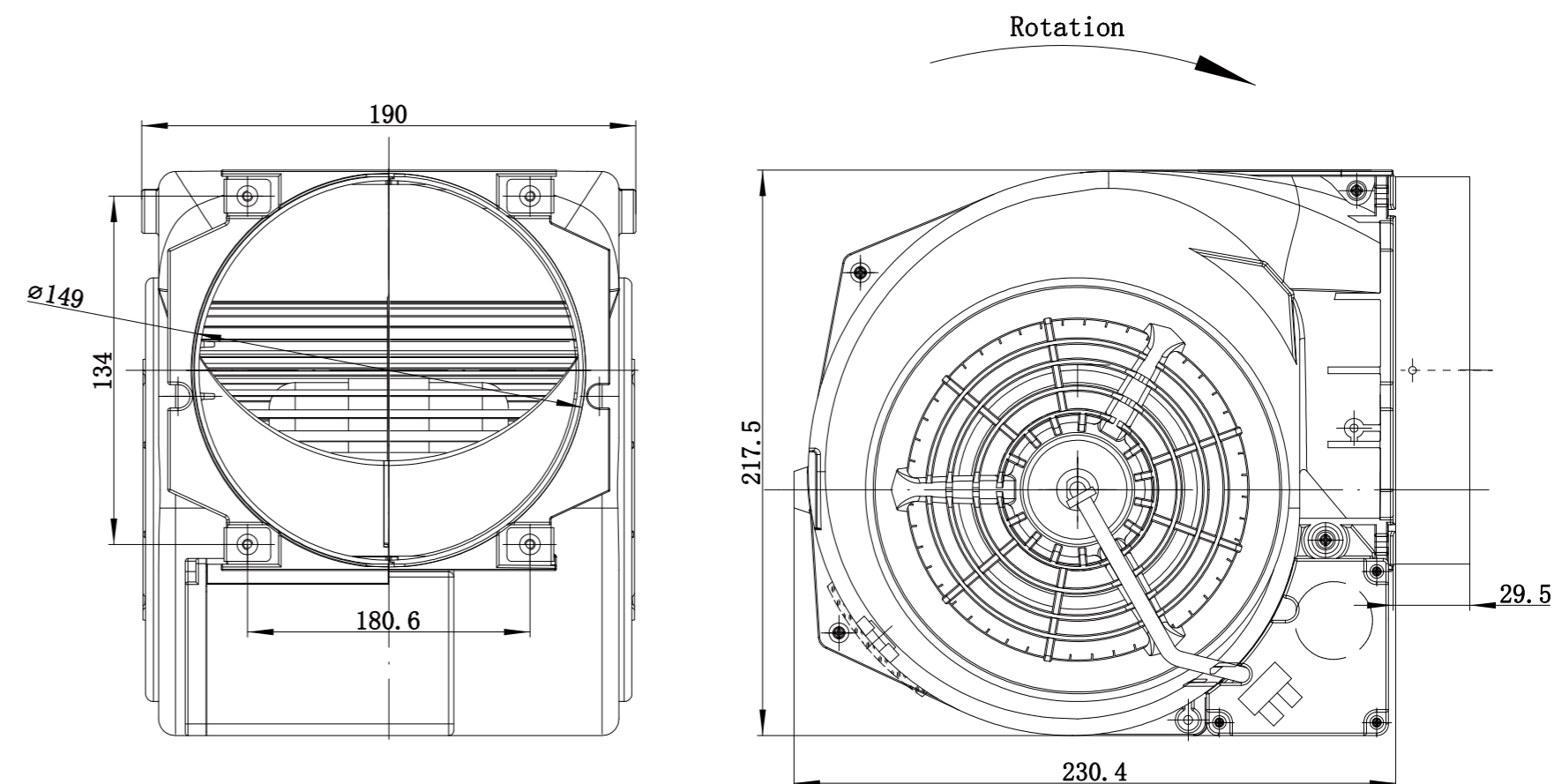
- Material : Plastic
- Mode of operation: S1
- Type of operation: IP54
- Insulation class: F
- Bearing: Maintenance-free ball bearings
- Operation Temperature: -30~+60 C



Technical Specifications

Model	Voltage (V)	Frequency (Hz)	Power (W)	Current (A)	Speed (RPM)	Air Flow (m³/h)	Air Pressure (Pa)	Noise [dB(A)]	Capacitor	Curve
			288	1.36	1770	876	597	72	10uF	①
LWFA2E146-092DS-12	220	60	213	1.09	1260	623	536	63	10uF	②
			180	0.96	915	453	453	55	10uF	③

Product Drawing (mm)



LWFA-146 Series

Product Characteristic

- Material : Plastic
- Mode of operation: S1
- Type of operation: IP54
- Insulation class: F
- Bearing: Maintenance-free ball bearings
- Operation Temperature: -30~+60 C



Technical Specifications

Model	Voltage (V)	Frequency (Hz)	Power (W)	Current (A)	Speed (RPM)	Air Flow (m³/h)	Air Pressure (Pa)	Noise [dB(A)]	Capacitor	Curve
			298	1.3	1984	886	464	73	10uF	①
LWFA2E146-092DS-13	230	50	207	0.94	1422	608	438	62	10uF	②
			178	0.82	1000	412	412	55	10uF	③

Product Drawing (mm)

