

# *AC Single Inlet Forward Centrifugal Blower*



# LWFA-120 Series

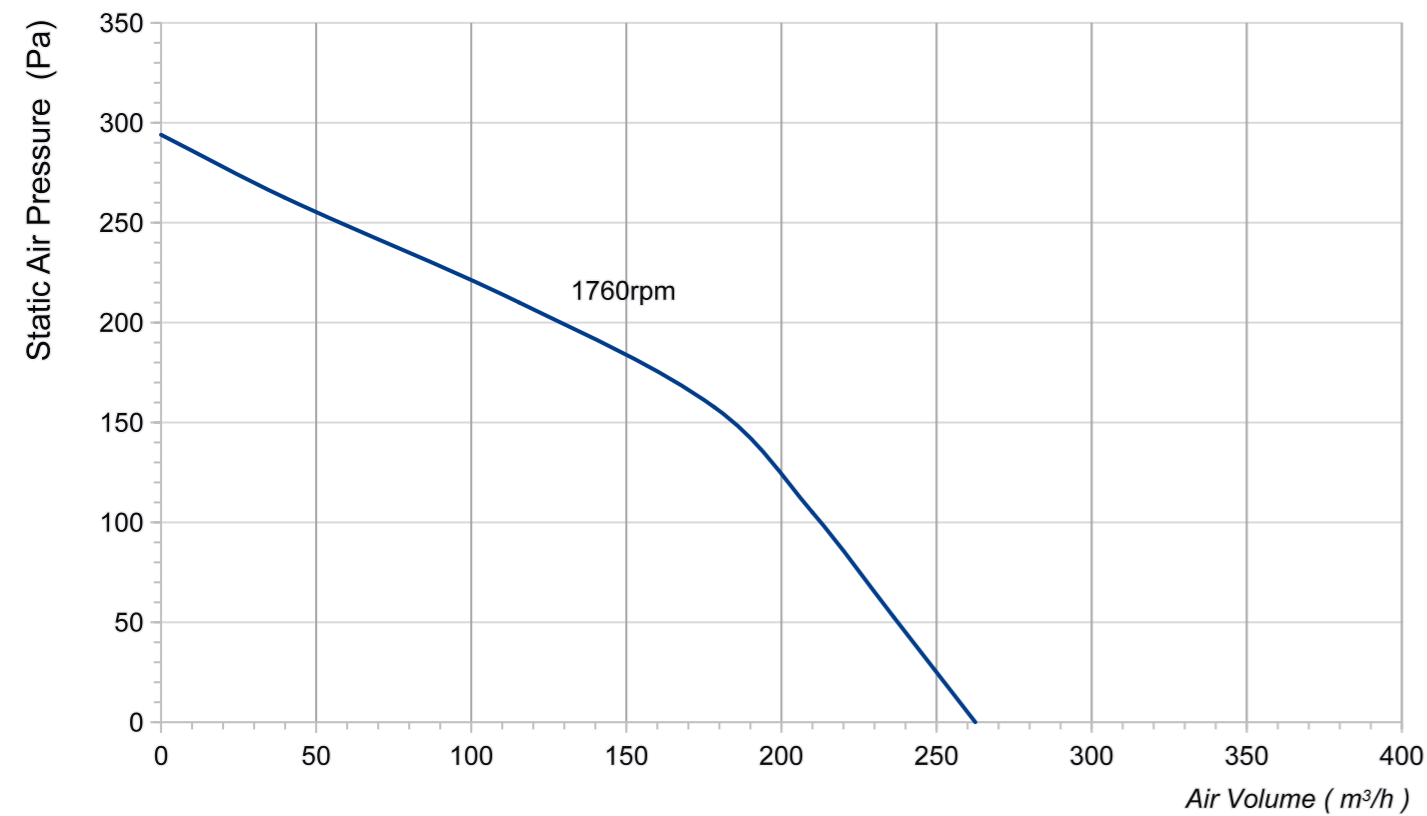
## Product Characteristic

- Material : Galvanised sheet steel
- Mode of operation: S1
- Type of operation: IP54
- Insulation class: F
- Bearing: Maintenance-free ball bearings
- Operation Temperature: -30~+60 C

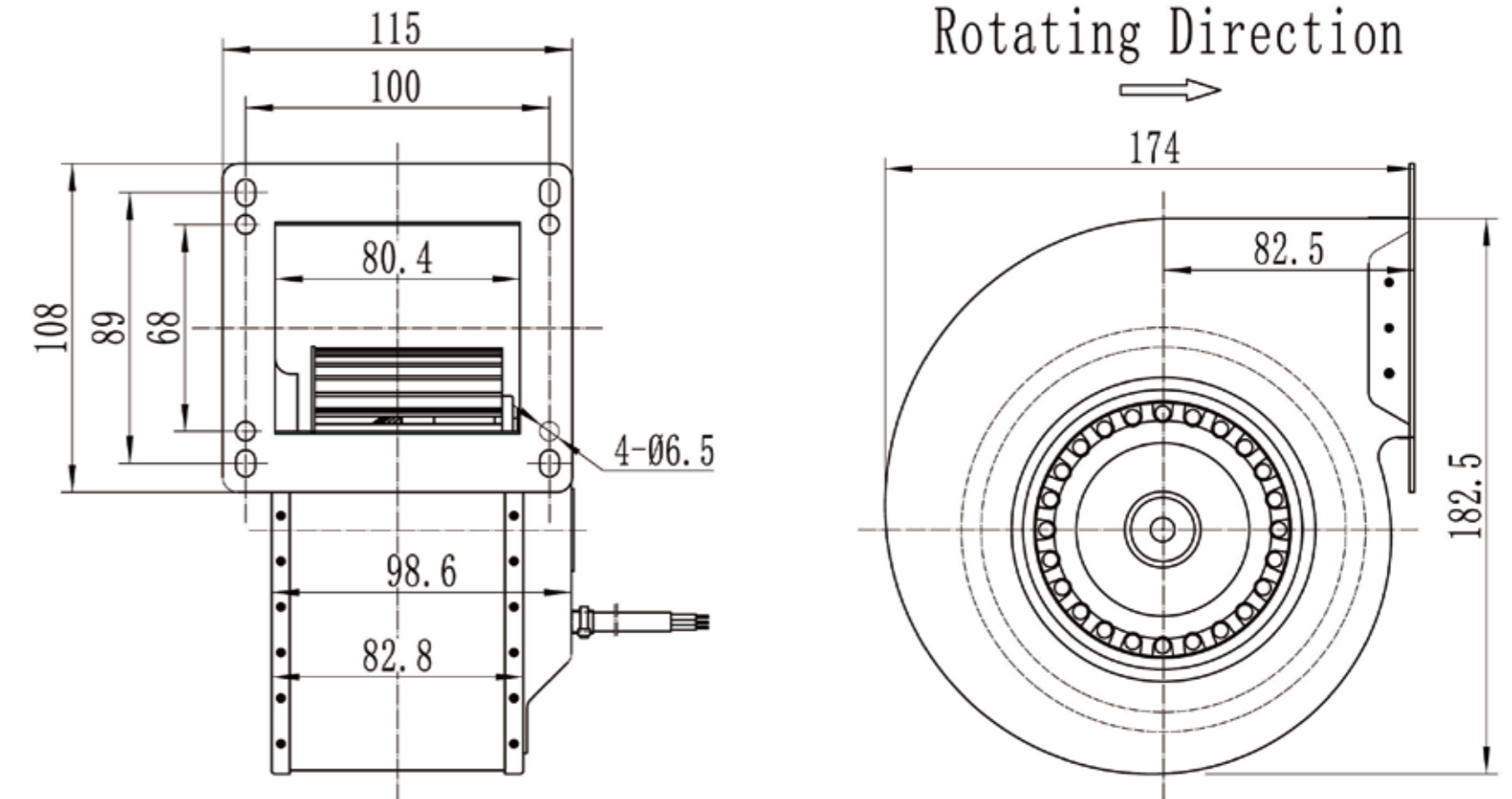


## Technical Specifications

Model	Voltage (V)	Frequency (Hz)	Power (W)	Current (A)	Speed (RPM)	Air Flow (m³/h)	Air Pressure (Pa)	Noise [dB(A)]	Capacitor	Curve
LWFA4E120-092SS-01	230	50	54	0.24	1760	263	294	59	2uF	/



## Product Drawing (mm)



# LWFA-120 Series

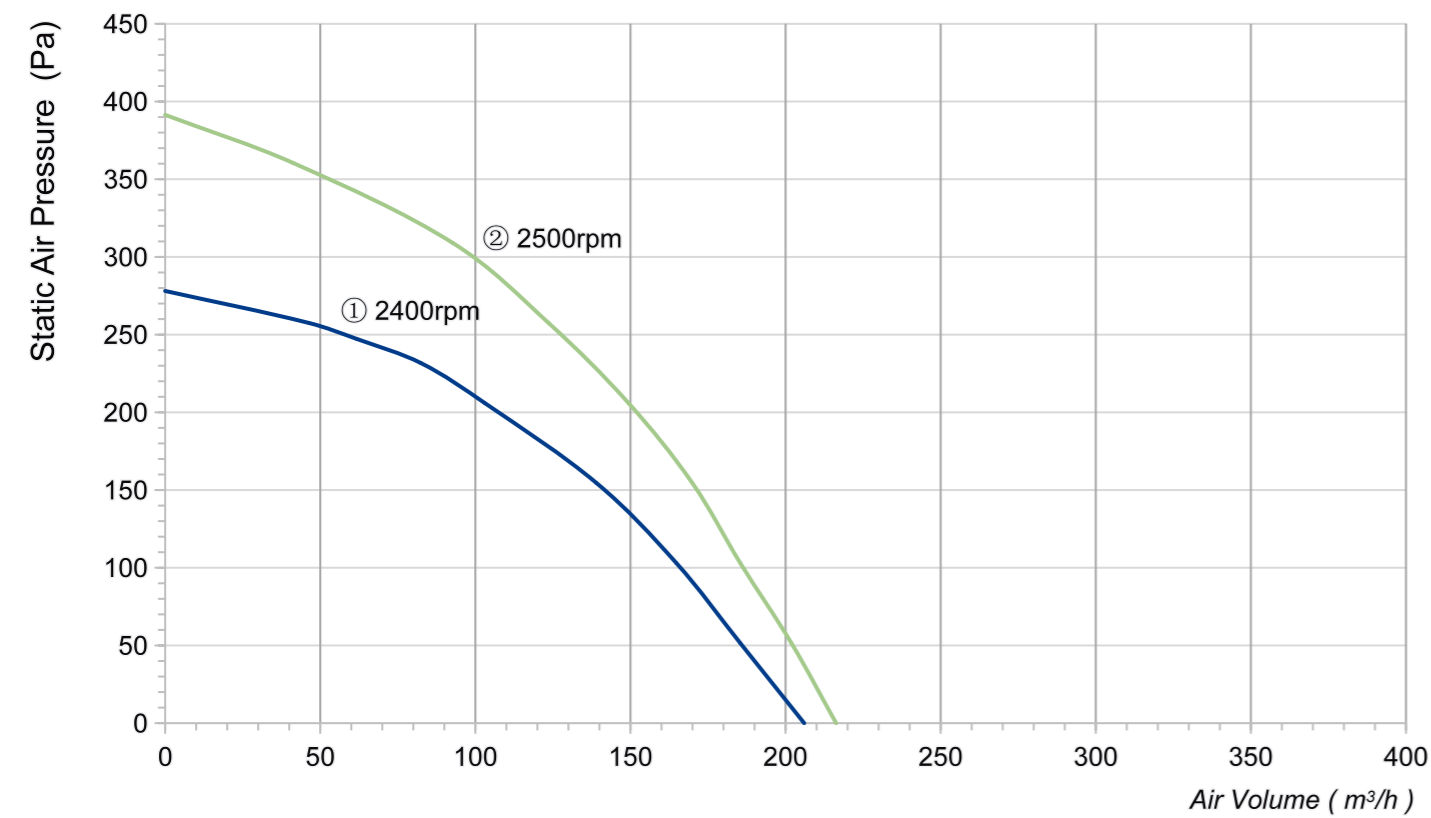
## Product Characteristic

- Material : Galvanised sheet steel
- Mode of operation: S1
- Type of operation: IP54
- Insulation class: F
- Bearing: Maintenance-free ball bearings
- Operation Temperature: -30~+60 C

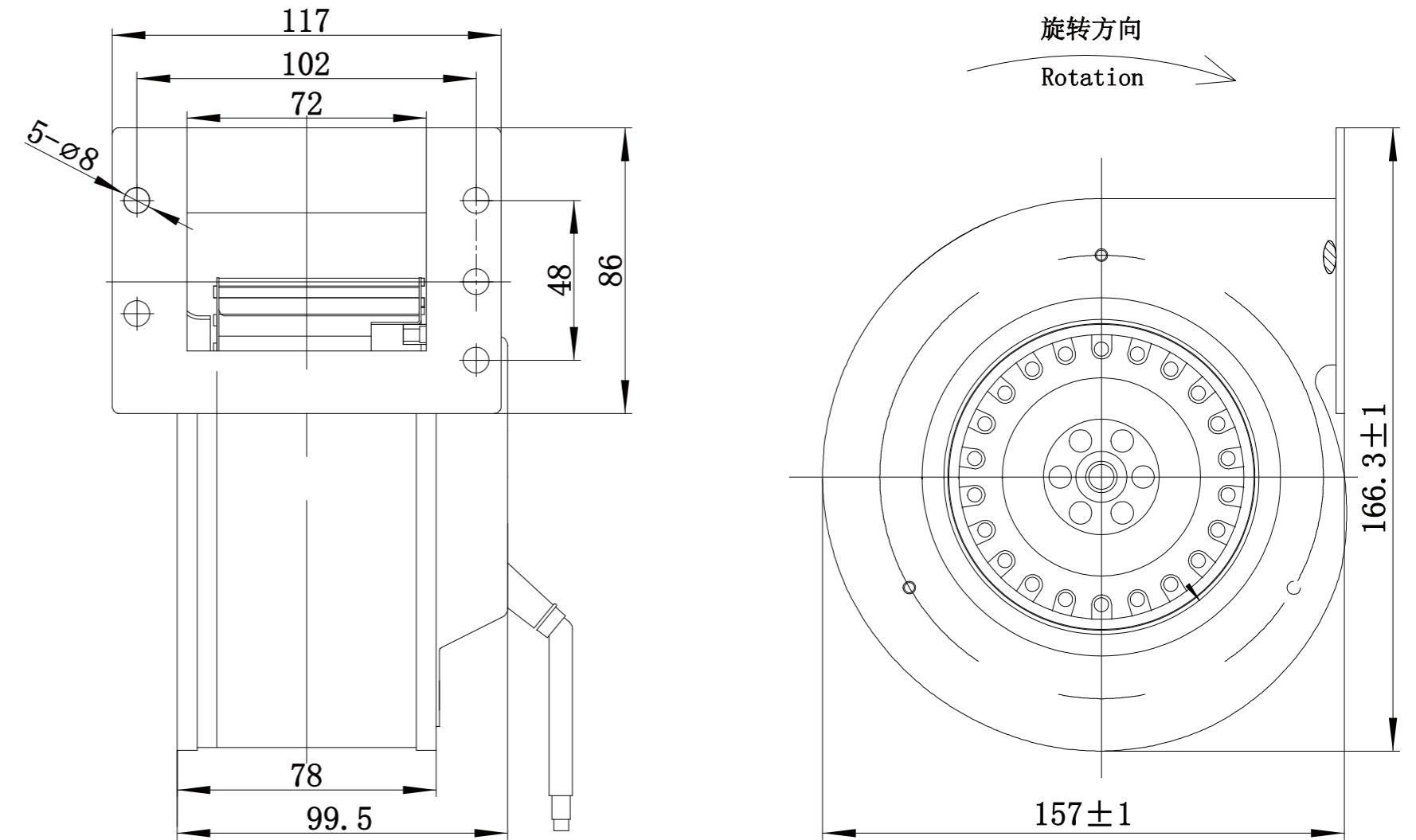


## Technical Specifications

Model	Voltage (V)	Frequency (Hz)	Power (W)	Current (A)	Speed (RPM)	Air Flow (m³/h)	Air Pressure (Pa)	Noise [dB(A)]	Capacitor	Curve
LWFA2E120-092SS-02	230	50	58	0.27	2400	206	278	51	1.5uF	①
LWFA2E120-092SS-03	230	60	73	0.33	2500	216	391	53	1.5uF	②



## Product Drawing (mm)



# LWFA-133 Series

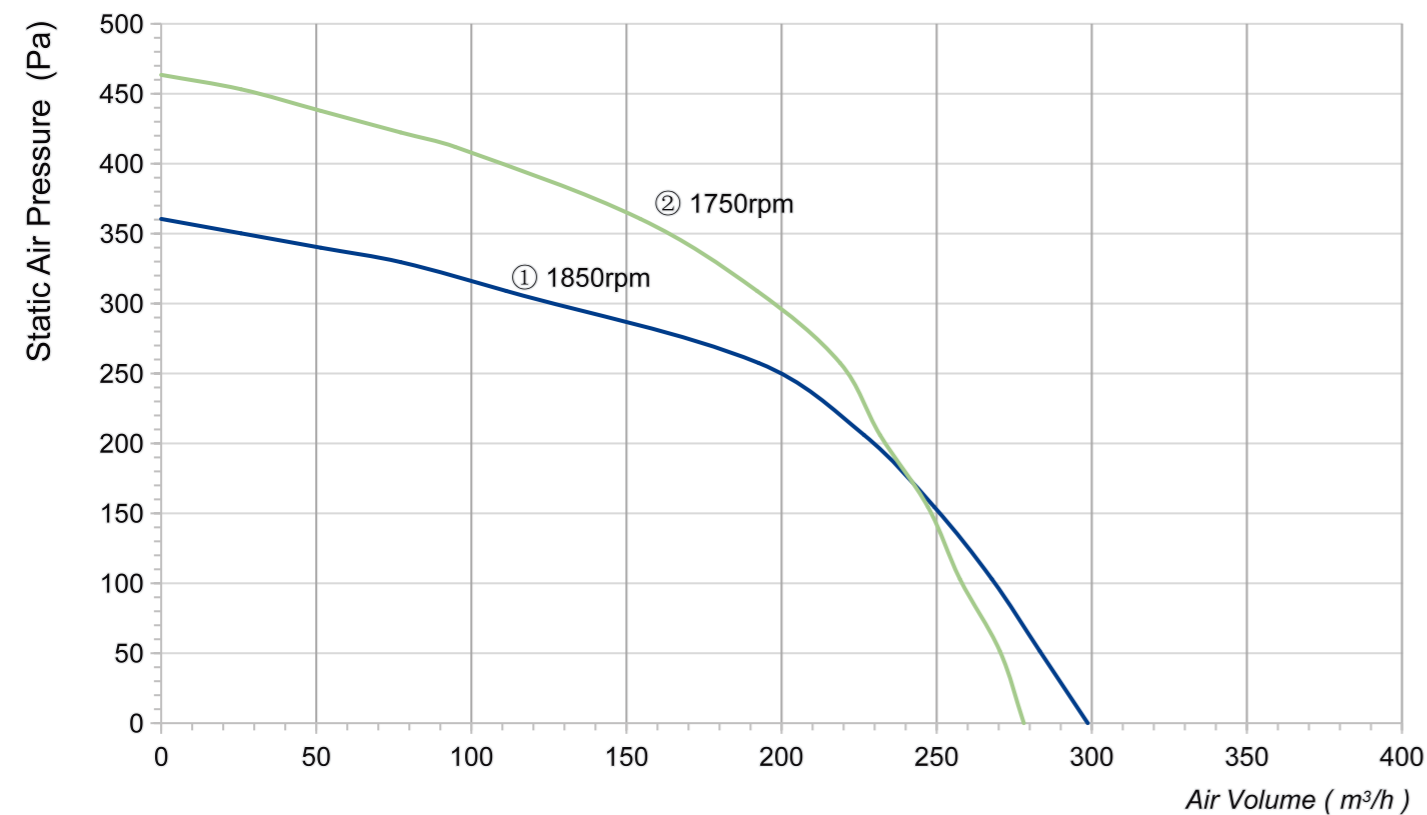
## Product Characteristic

- Material : Galvanised sheet steel
- Mode of operation: S1
- Type of operation: IP54
- Insulation class: F
- Bearing: Maintenance-free ball bearings
- Operation Temperature: -30~+60 C

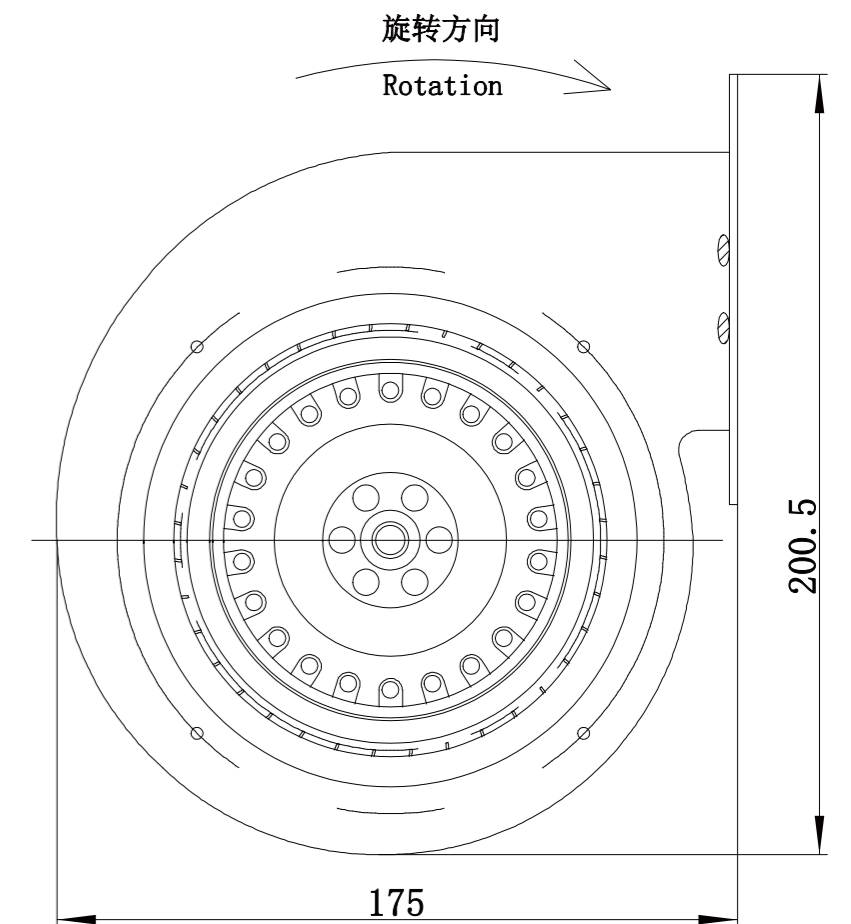
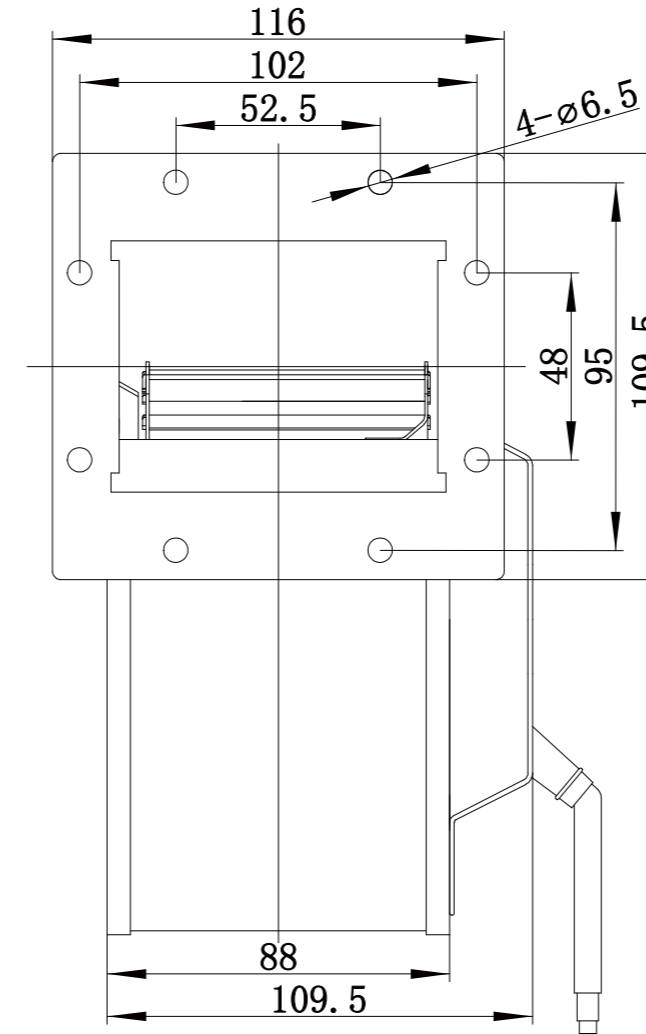


## Technical Specifications

Model	Voltage (V)	Frequency (Hz)	Power (W)	Current (A)	Speed (RPM)	Air Flow (m³/h)	Air Pressure (Pa)	Noise [dB(A)]	Capacitor	Curve
LWFA2E133-092SS-01	230	50	83	0.37	1850	299	361	61	2uF	①
LWFA2E133-092SS-02	230	60	95	0.43	1750	278	464	63	2uF	②



## Product Drawing (mm)



# LWFA-133 Series

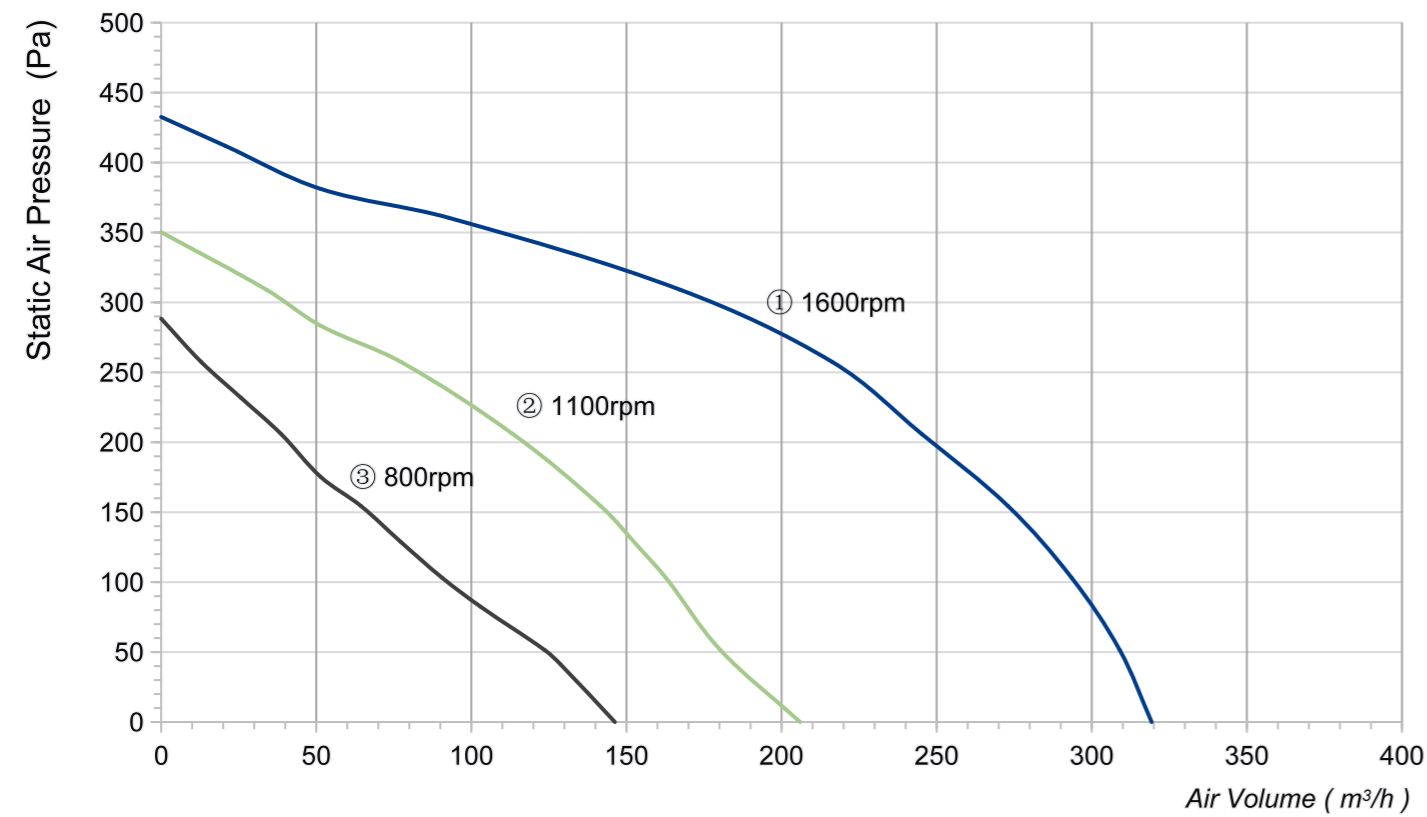
## Product Characteristic

- Material : Plastic PA66
- Mode of operation: S1
- Type of operation: IP54
- Insulation class: F
- Bearing: Maintenance-free ball bearings
- Operation Temperature: -30~+60 C

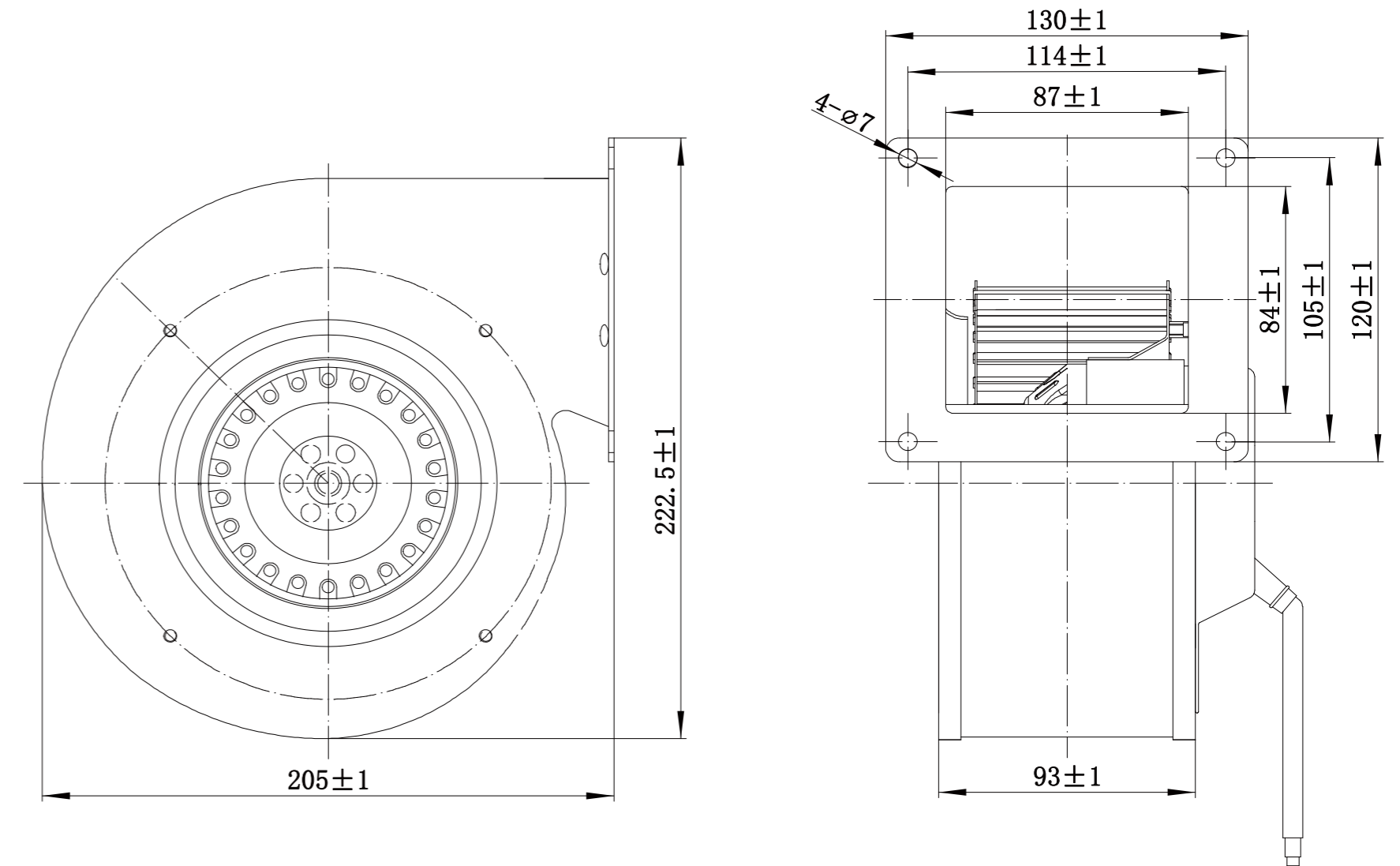


## Technical Specifications

Model	Voltage (V)	Frequency (Hz)	Power (W)	Current (A)	Speed (RPM)	Air Flow (m³/h)	Air Pressure (Pa)	Noise [dB(A)]	Capacitor	Curve
			85	0.38	1600	319	433	56	2uF	①
LWFA2E133-092SS-03	230	50	60	0.28	1100	206	350	47	2uF	②
			50	0.25	800	146	288	40	2uF	③



## Product Drawing (mm)



# LWFA-140 Series

## Product Characteristic

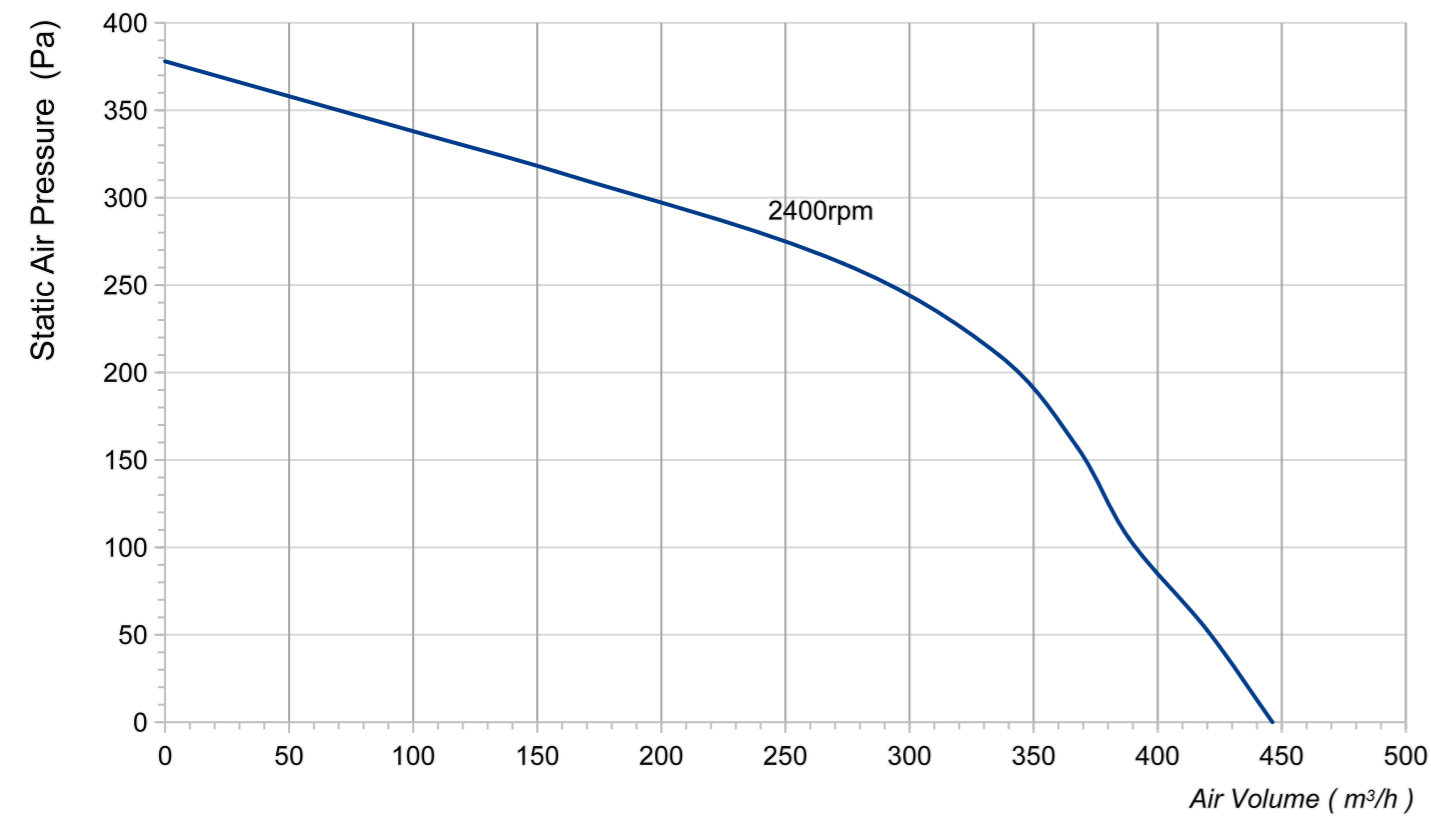
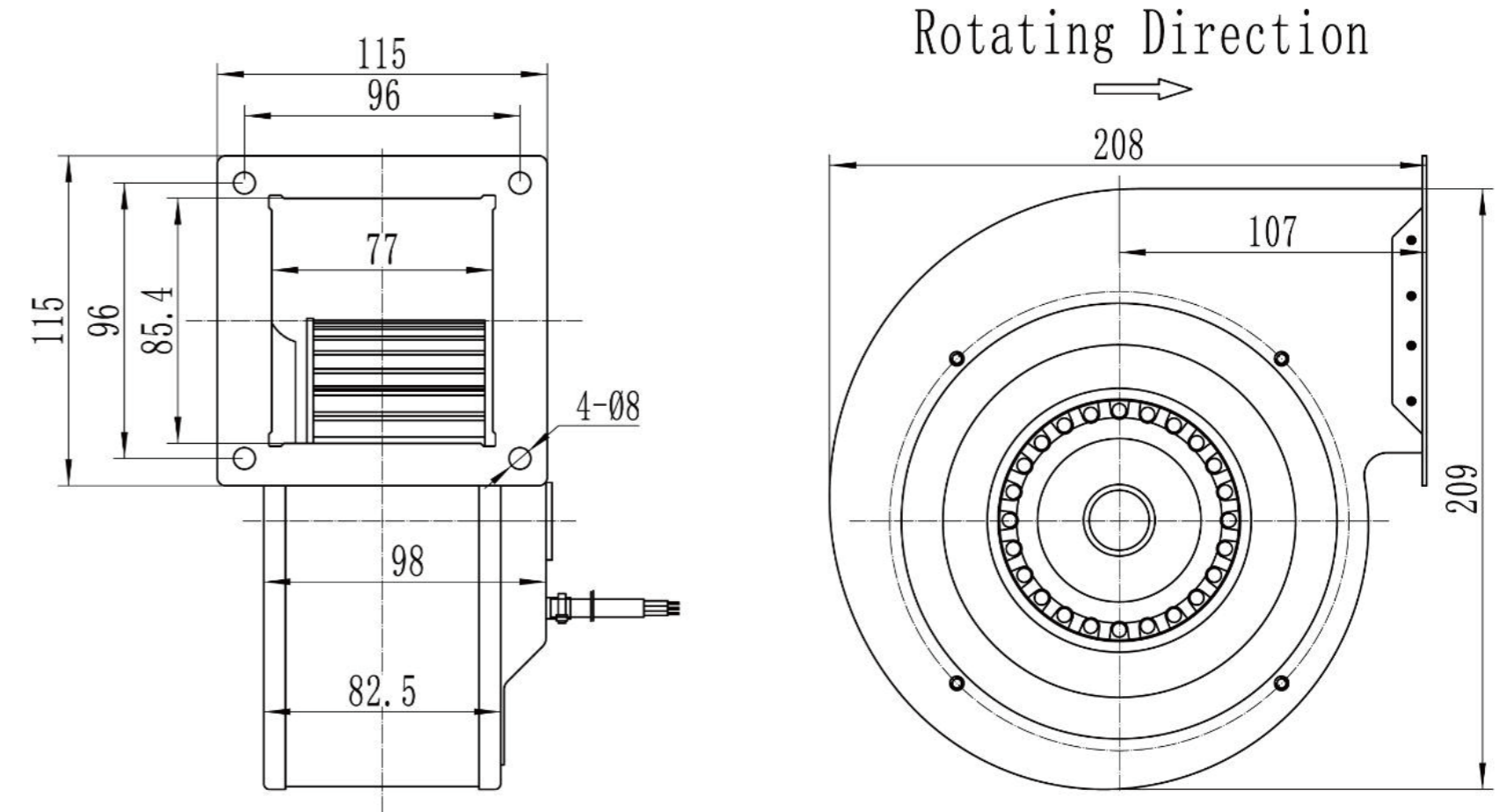
- Material : Galvanised sheet steel
- Mode of operation: S1
- Type of operation: IP54
- Insulation class: F
- Bearing: Maintenance-free ball bearings
- Operation Temperature: -30~+60 C



## Technical Specifications

Model	Voltage (V)	Frequency (Hz)	Power (W)	Current (A)	Speed (RPM)	Air Flow (m³/h)	Air Pressure (Pa)	Noise [dB(A)]	Capacitor	Curve
LWFA2E140-092SS-01	230	50	148	0.67	2400	446	378	65	5uF	/

## Product Drawing (mm)



# LWFA-140 Series

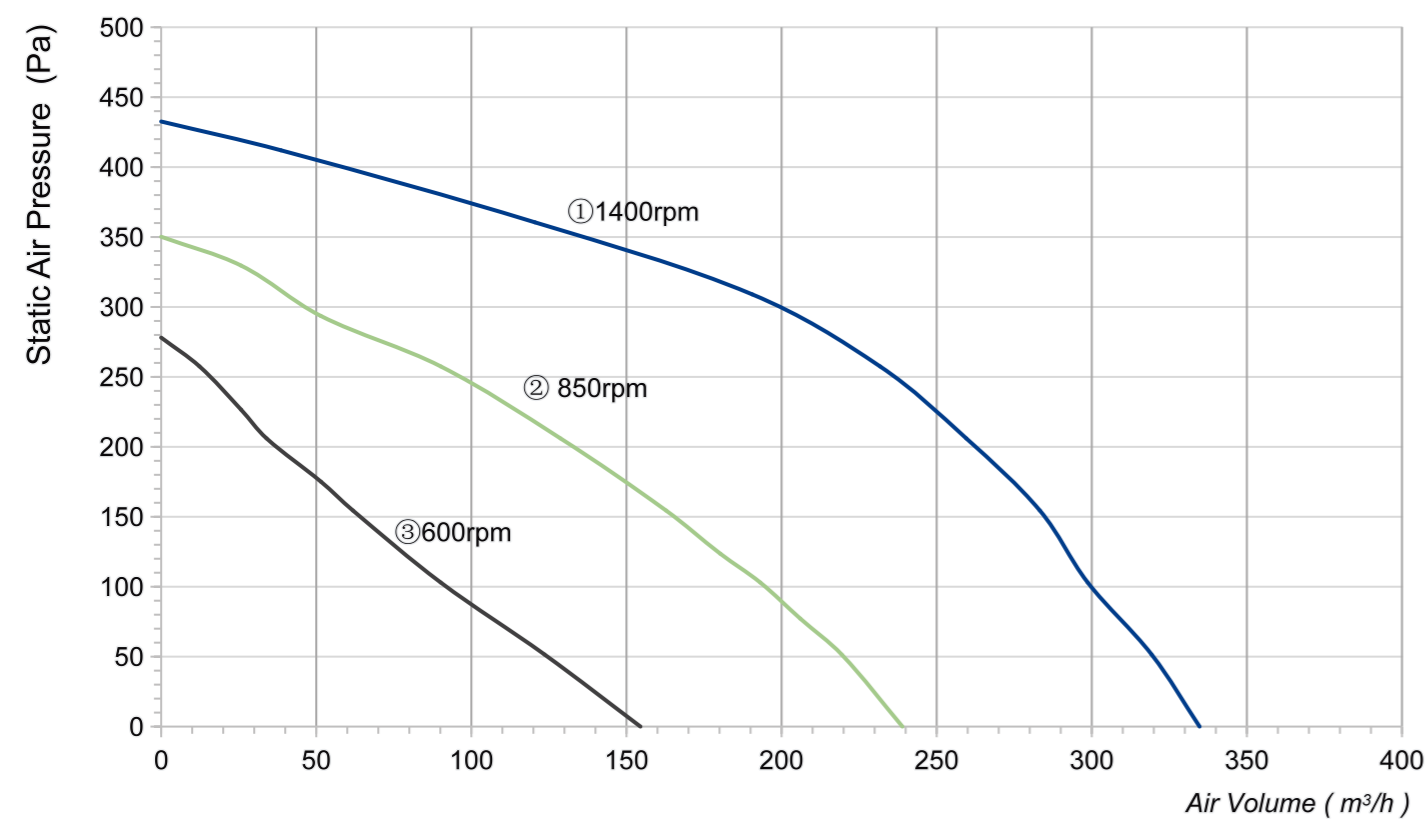
## Product Characteristic

- Material : Plastic PA66
- Mode of operation: S1
- Type of operation: IP54
- Insulation class: F
- Bearing: Maintenance-free ball bearings
- Operation Temperature: -30~+60 C

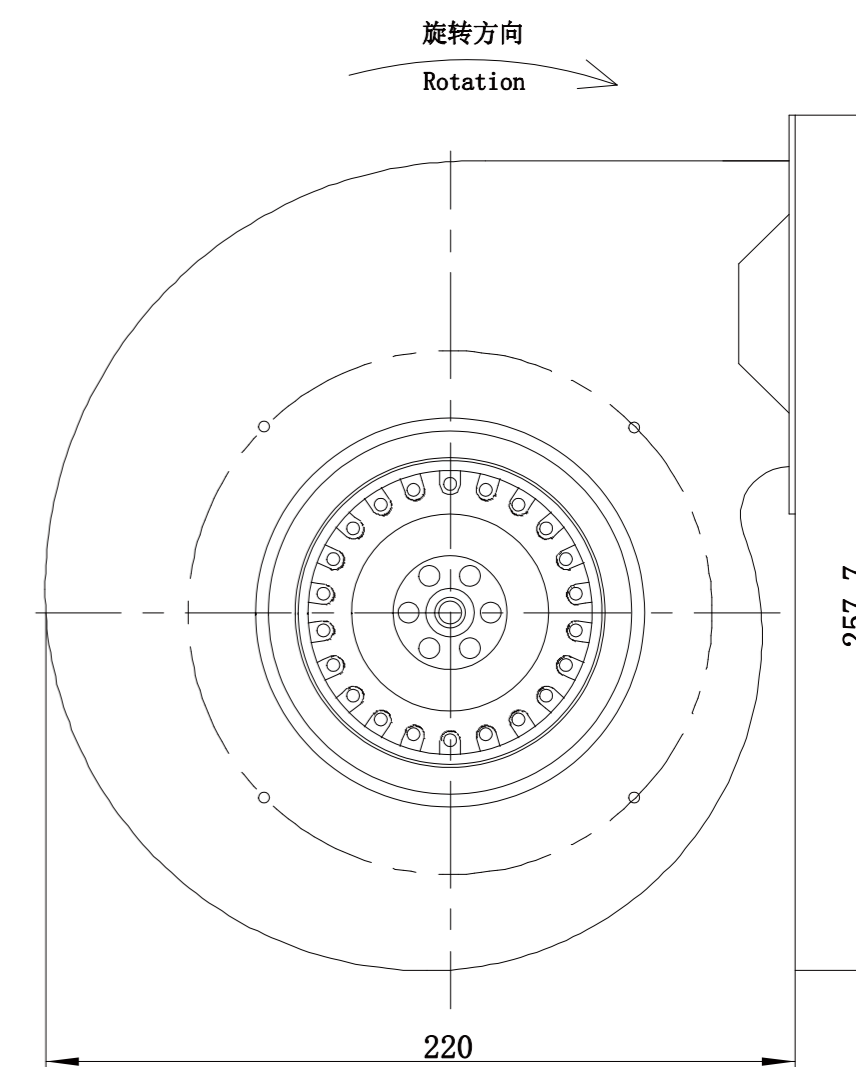
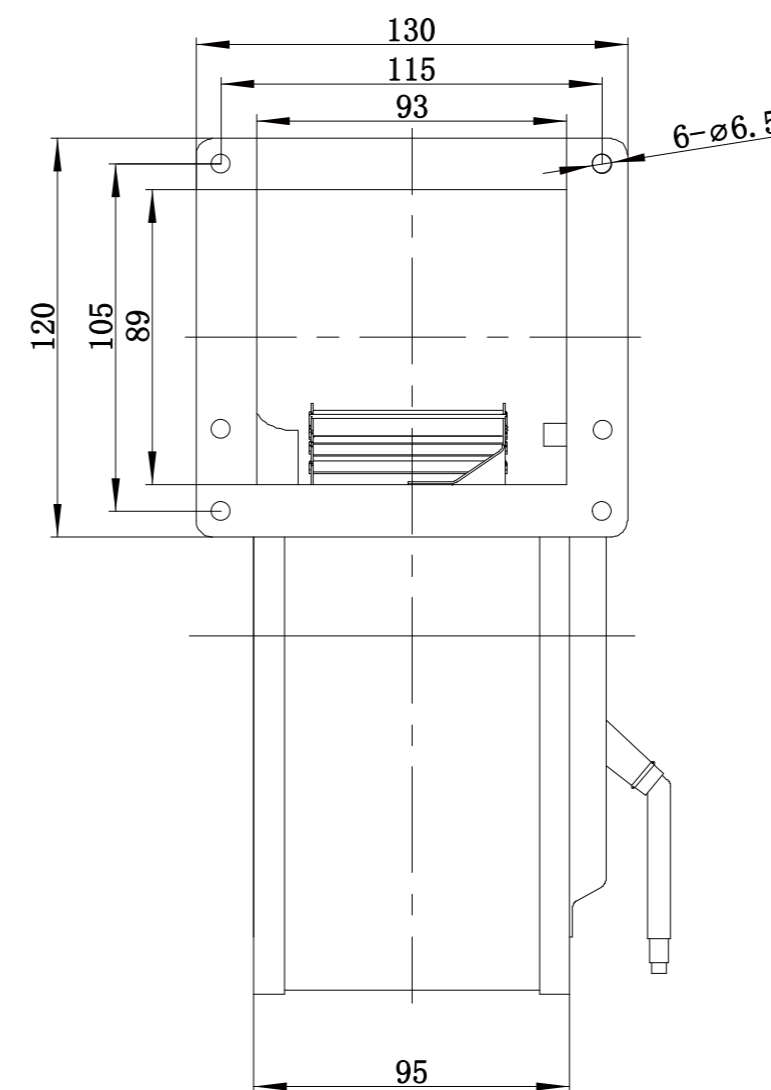


## Technical Specifications

Model	Voltage (V)	Frequency (Hz)	Power (W)	Current (A)	Speed (RPM)	Air Flow (m³/h)	Air Pressure (Pa)	Noise [dB(A)]	Capacitor	Curve
			90	0.4	1400	335	433	52	2uF	①
LWFA2E140-092SS-02	230	50	60	0.3	850	239	350	40	2uF	②
			50	0.25	600	155	278	32	2uF	③



## Product Drawing (mm)



# LWFA-150 Series

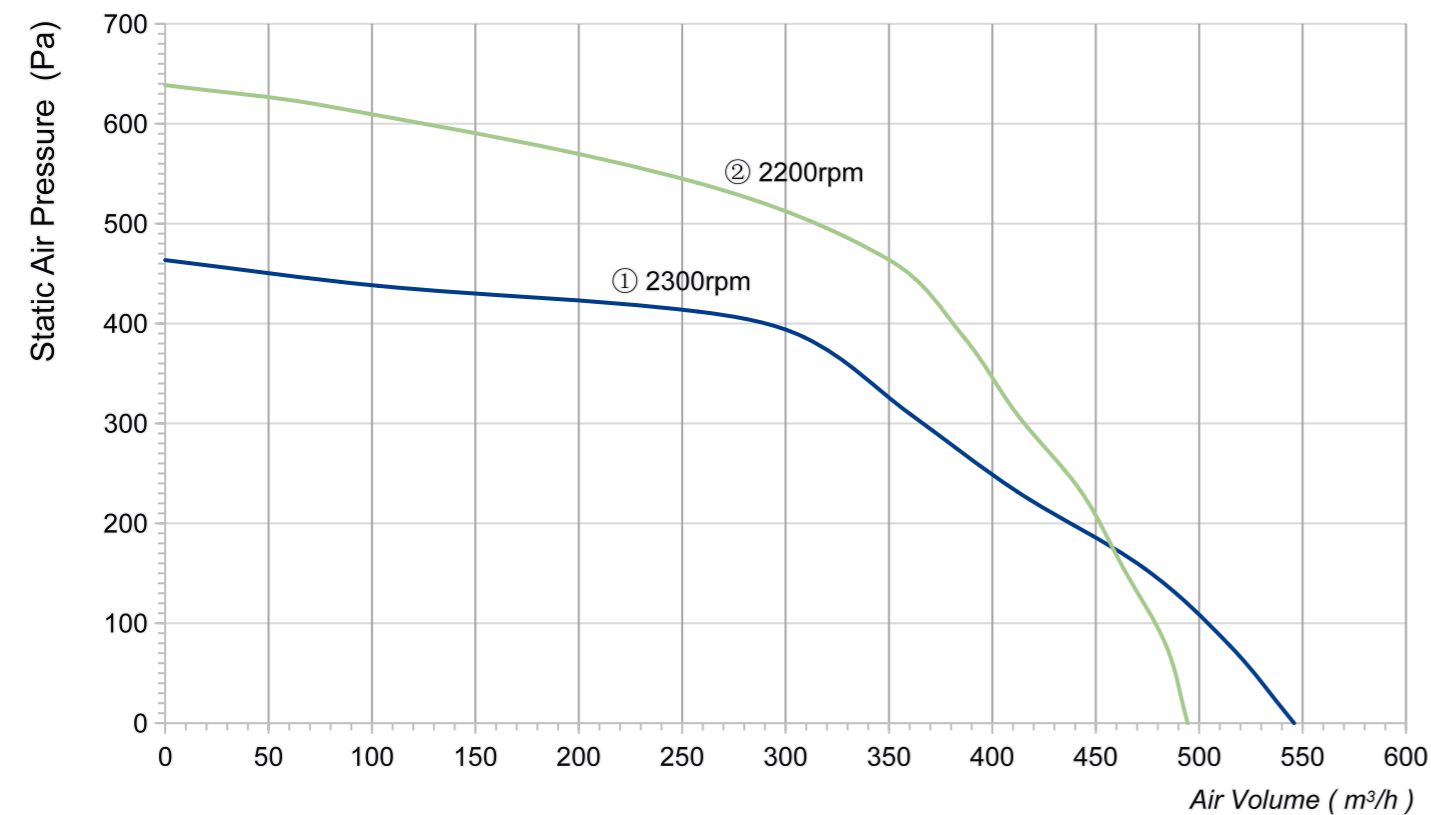
## Product Characteristic

- Material : Galvanised sheet steel
- Mode of operation: S1
- Type of operation: IP54
- Insulation class: F
- Bearing: Maintenance-free ball bearings
- Operation Temperature: -30~+60 C

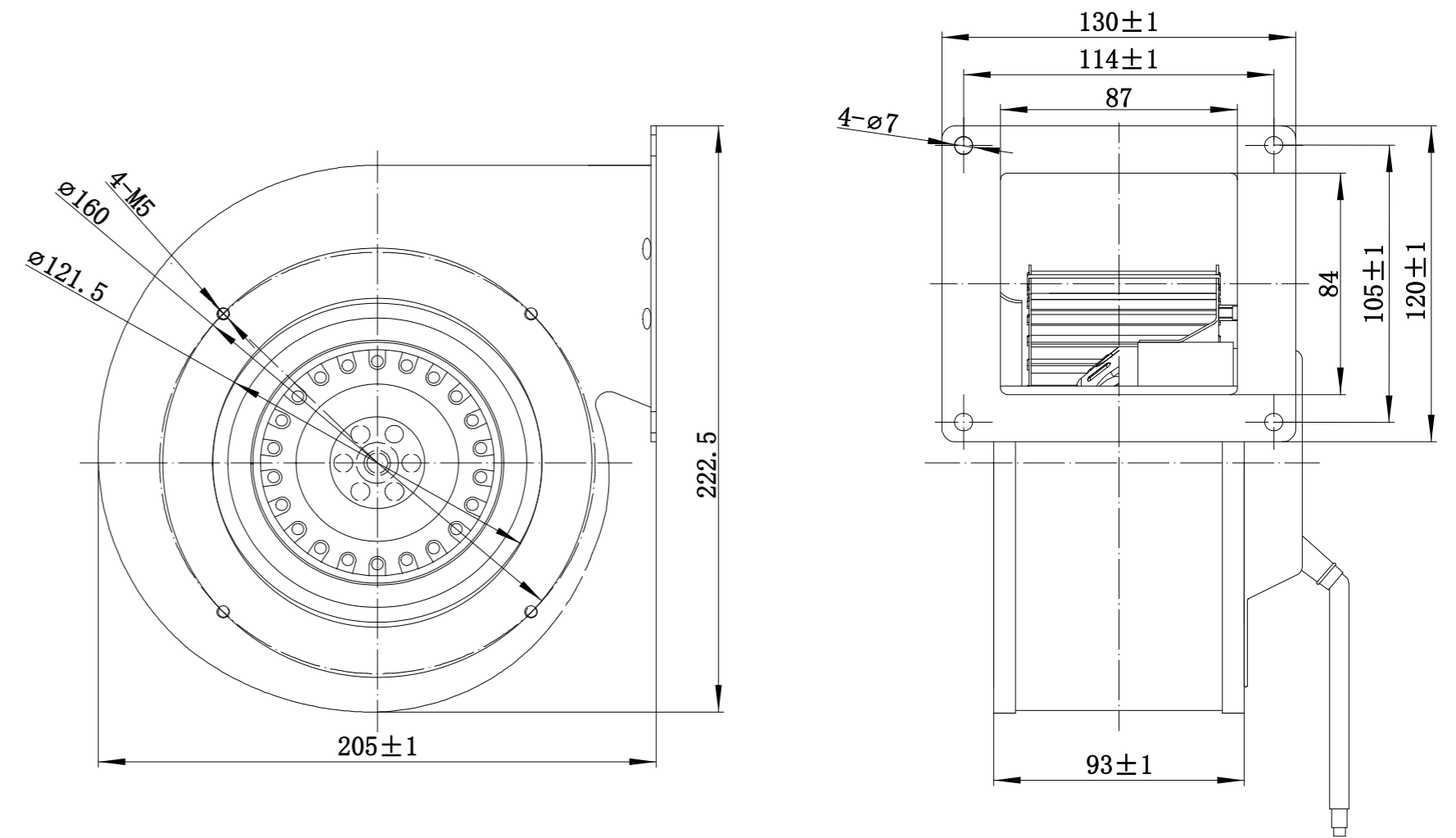


## Technical Specifications

Model	Voltage (V)	Frequency (Hz)	Power (W)	Current (A)	Speed (RPM)	Air Flow (m³/h)	Air Pressure (Pa)	Noise [dB(A)]	Capacitor	Curve
LWFA2E150-092SS-01	230	50	183	0.83	2300	546	464	63	4uF	①
LWFA2E150-092SS-02	230	60	230	1.04	2200	494	639	68	4uF	②



## Product Drawing (mm)



# LWFA-153 Series

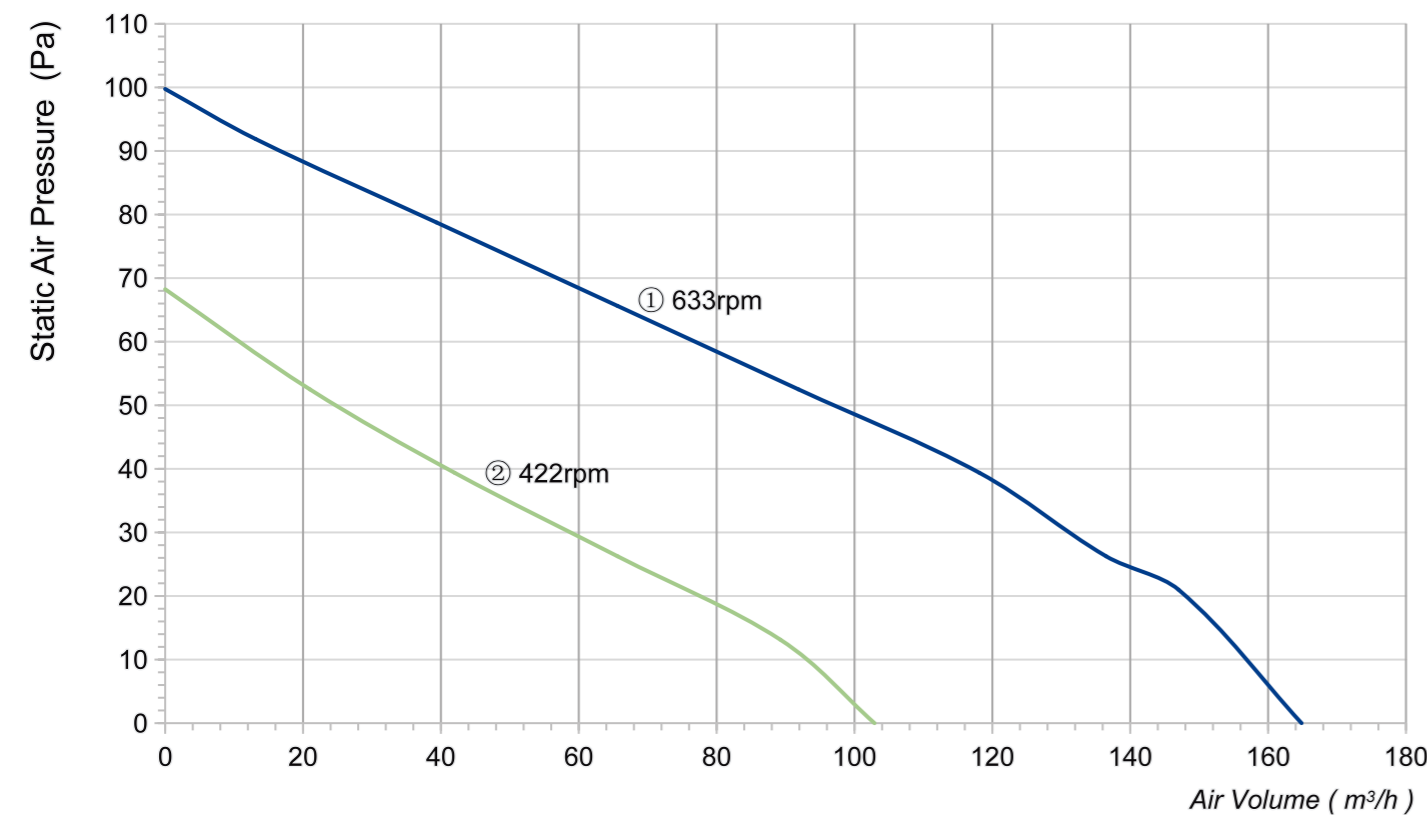
## Product Characteristic

- Material : Plastic PA66
- Mode of operation: S1
- Type of operation: IP54
- Insulation class: F
- Bearing: Maintenance-free ball bearings
- Operation Temperature: -30~+60 C

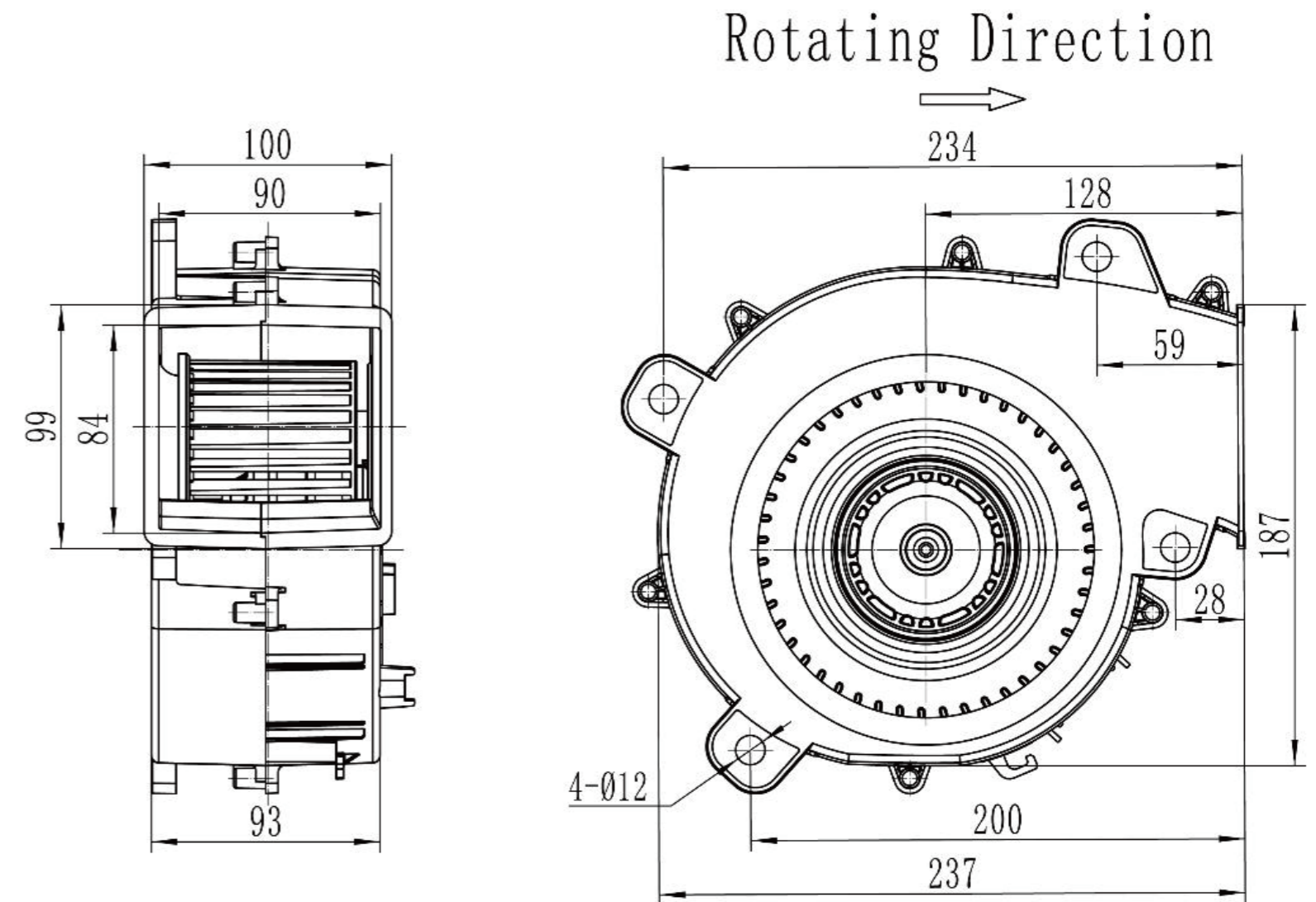


## Technical Specifications

Model	Voltage (V)	Frequency (Hz)	Power (W)	Current (A)	Speed (RPM)	Air Flow (m³/h)	Air Pressure (Pa)	Noise [dB(A)]	Capacitor	Curve
LWFA8E153-072SS-01	230	50	28	0.12	630	165	100	/	0.6uF	①
			22	0.1	422	103	68	/	0.6uF	②



## Product Drawing (mm)



# LWFA-160 Series

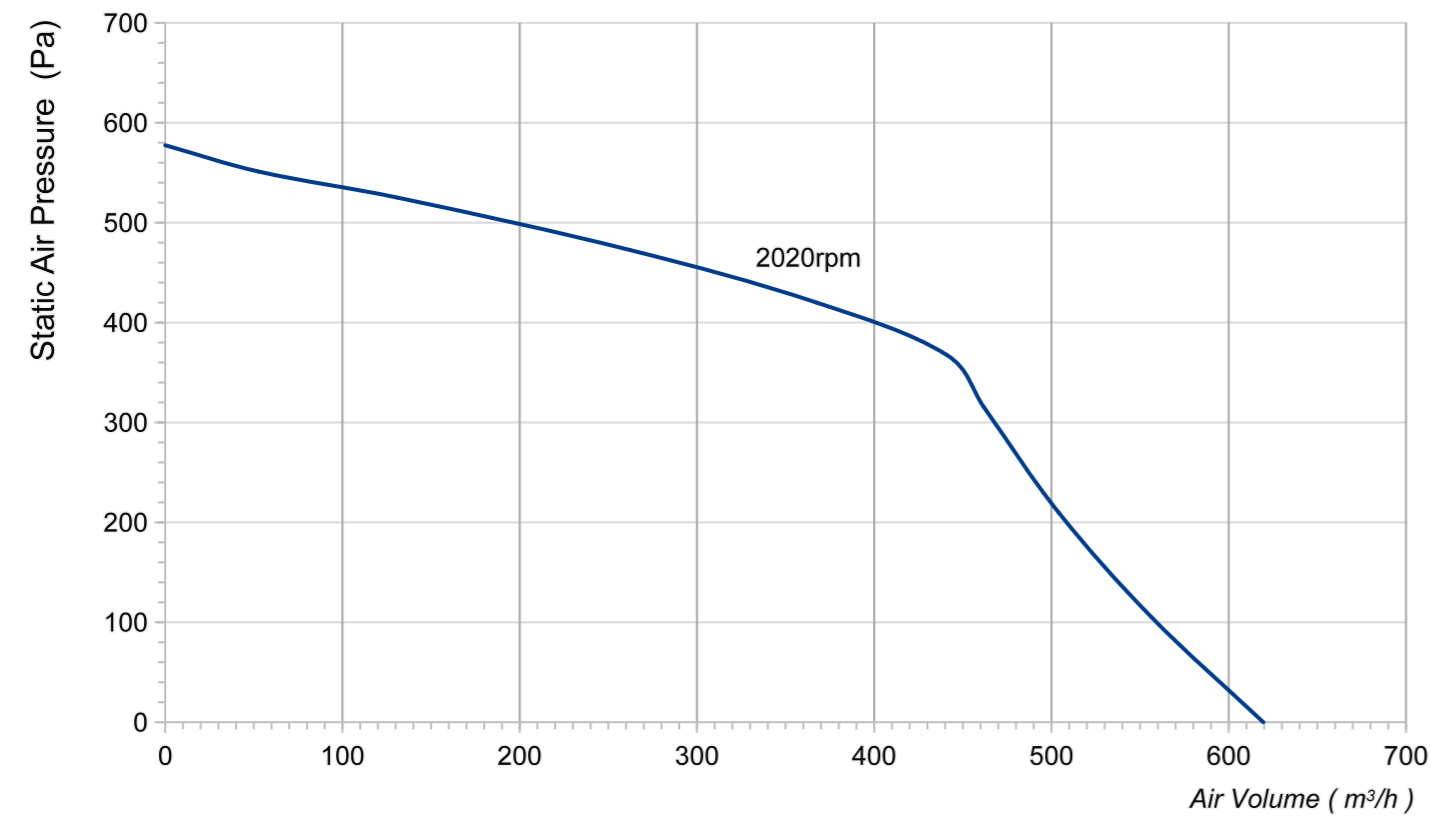
## Product Characteristic

- Material : Galvanised sheet steel
- Mode of operation: S1
- Type of operation: IP54
- Insulation class: F
- Bearing: Maintenance-free ball bearings
- Operation Temperature: -30~+60 C

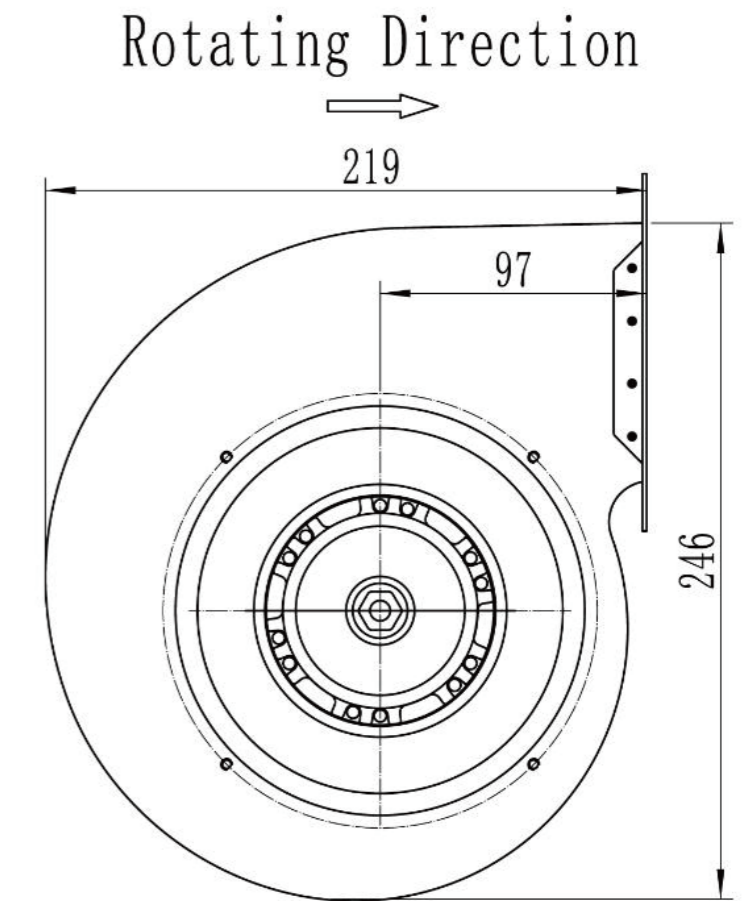
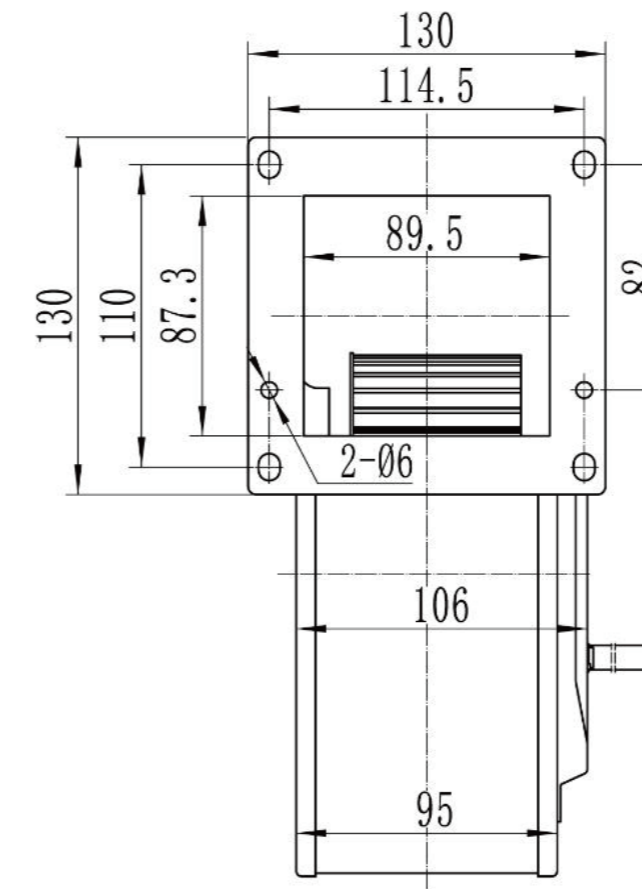


## Technical Specifications

Model	Voltage (V)	Frequency (Hz)	Power (W)	Current (A)	Speed (RPM)	Air Flow (m³/h)	Air Pressure (Pa)	Noise [dB(A)]	Capacitor	Curve
LWFA2E160-092SS-01	230	50	222	1.01	2020	620	578	65	6uF	/



## Product Drawing (mm)



# LWFA-160 Series

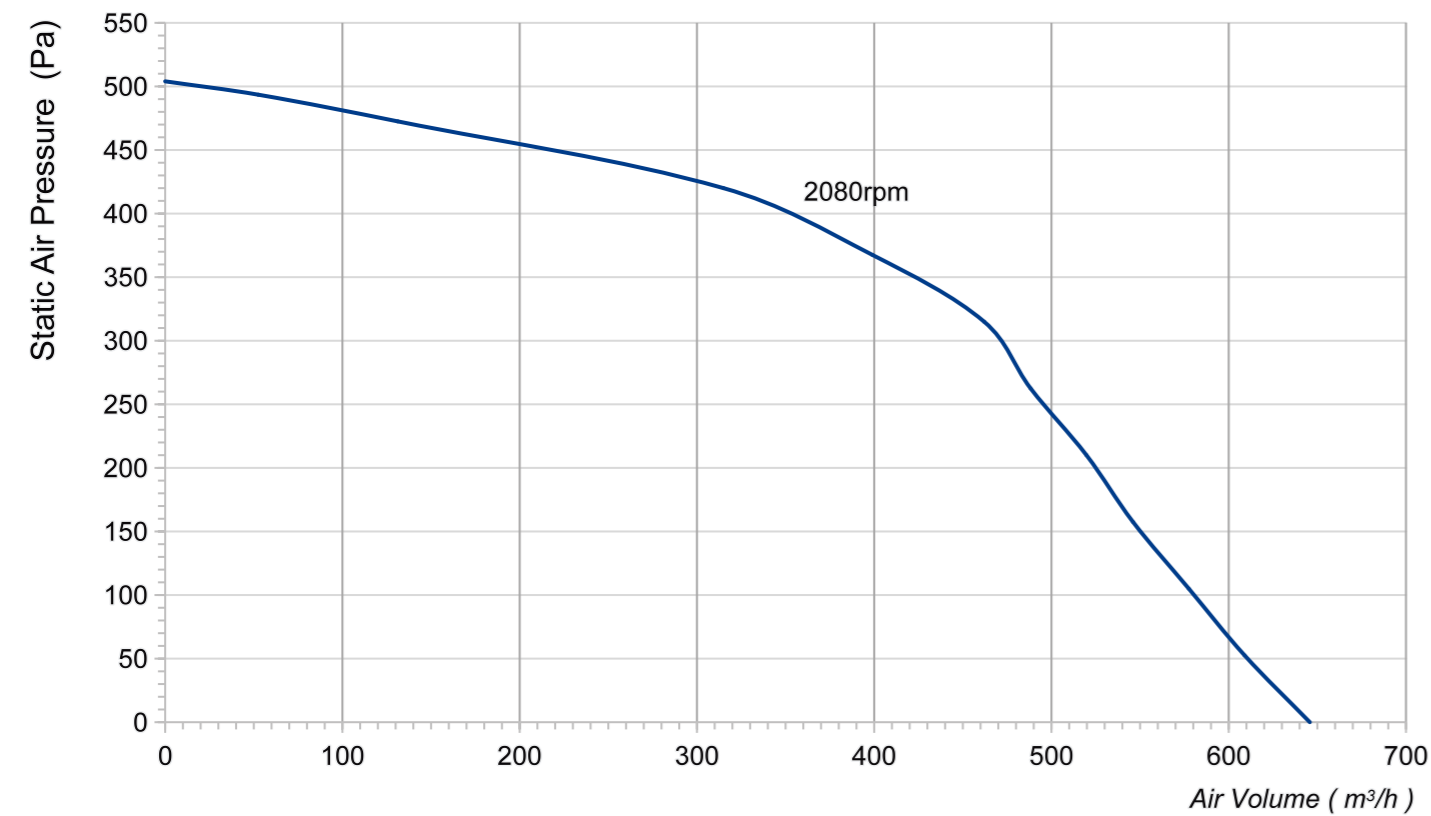
## Product Characteristic

- Material : Galvanised sheet steel
- Mode of operation: S1
- Type of operation: IP54
- Insulation class: F
- Bearing: Maintenance-free ball bearings
- Operation Temperature: -30~+60 C

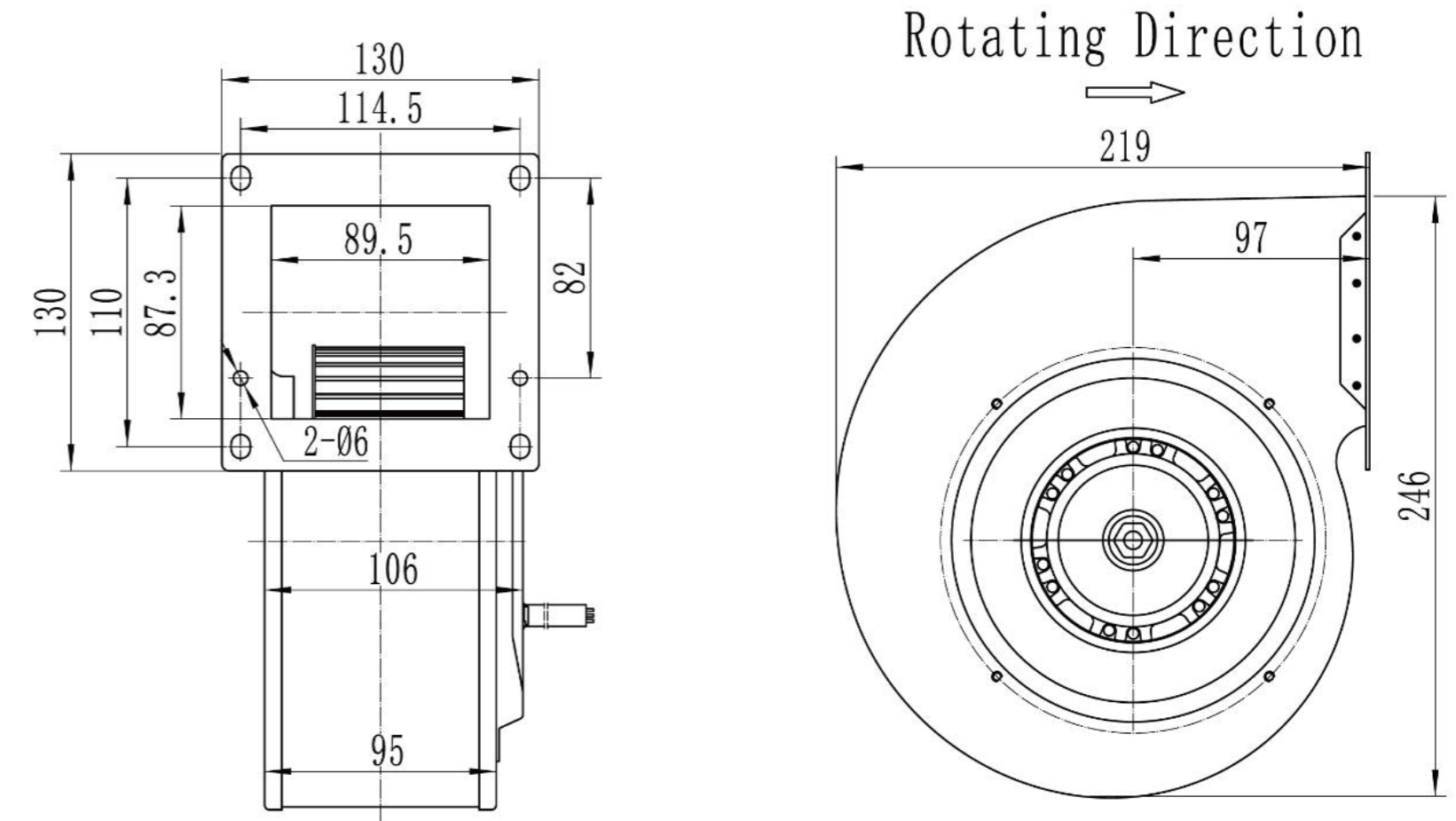


## Technical Specifications

Model	Voltage (V)	Frequency (Hz)	Power (W)	Current (A)	Speed (RPM)	Air Flow (m³/h)	Air Pressure (Pa)	Noise [dB(A)]	Capacitor	Curve
LWFA2D160-092ST-02	380	50	237	0.45	2080	646	504	66	/	/



## Product Drawing (mm)



# LWFA-160 Series

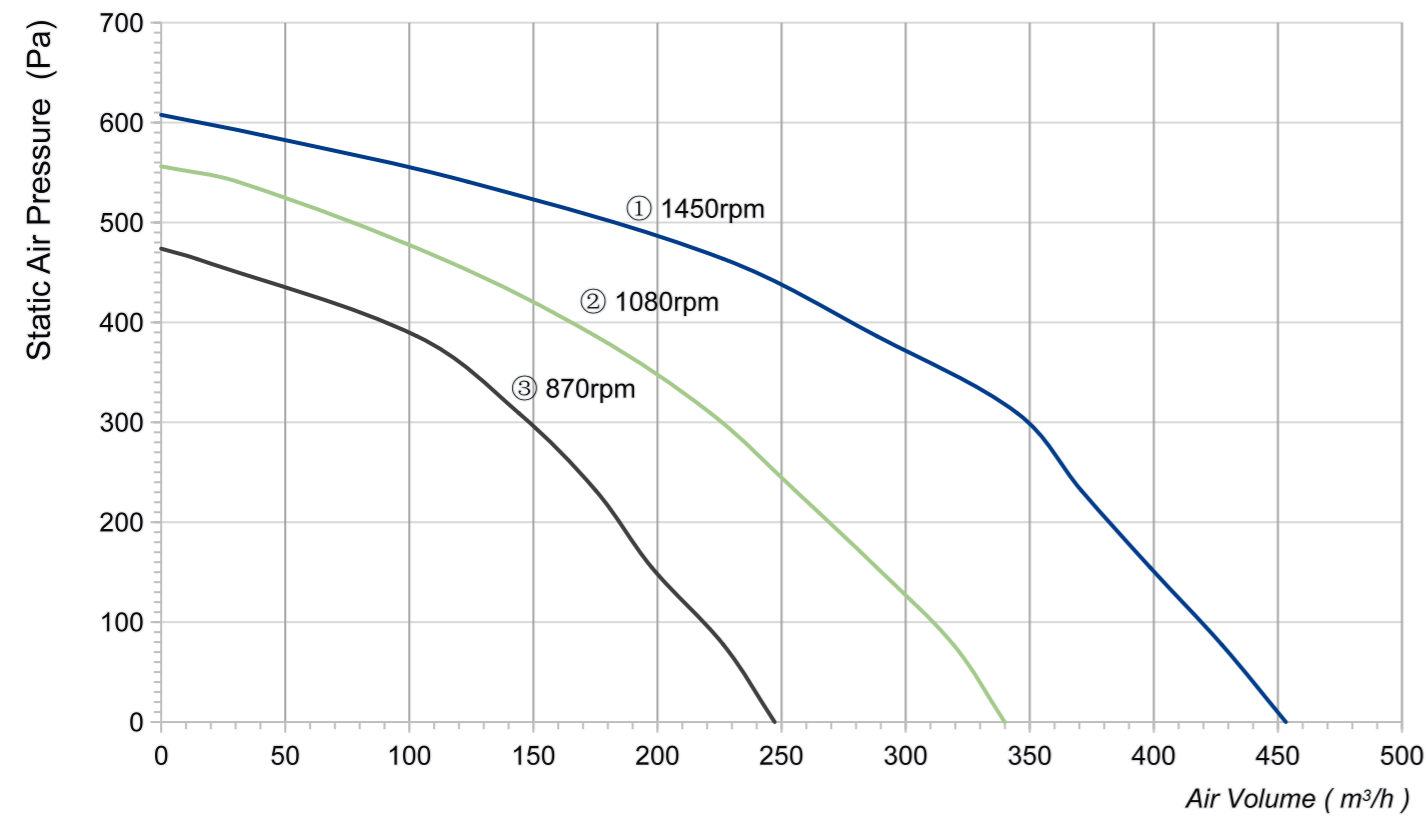
## Product Characteristic

- Material : Plastic PA66
- Mode of operation: S1
- Type of operation: IP54
- Insulation class: F
- Bearing: Maintenance-free ball bearings
- Operation Temperature: -30~+60 C

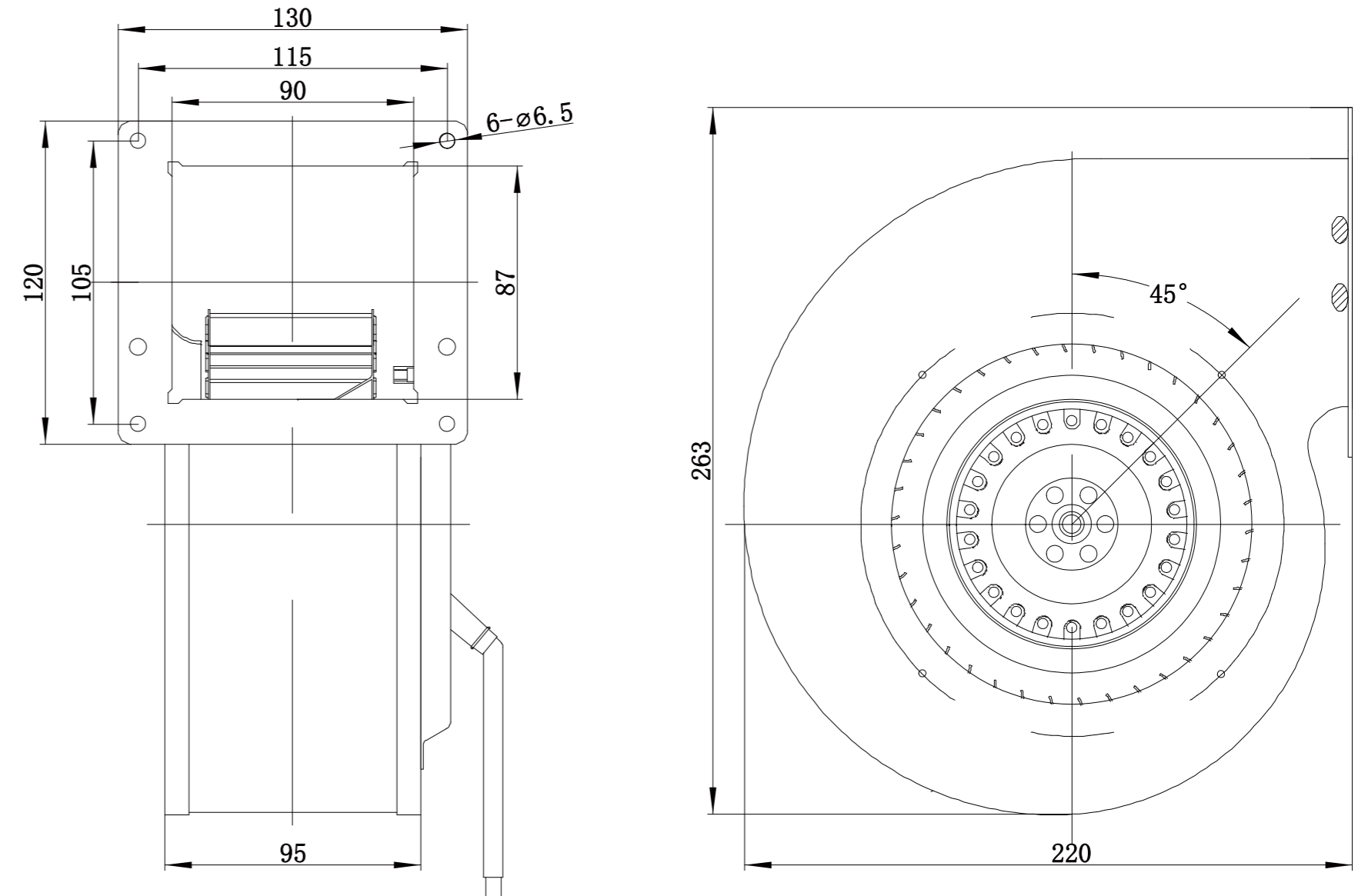


## Technical Specifications

Model	Voltage (V)	Frequency (Hz)	Power (W)	Current (A)	Speed (RPM)	Air Flow (m³/h)	Air Pressure (Pa)	Noise [dB(A)]	Capacitor	Curve
			150	0.67	1450	453	608	57	3.5uF	①
LWFA2E160-092SS-03	230	50	120	0.55	1080	340	556	49	3.5uF	②
			100	0.47	870	247	474	43	3.5uF	③



## Product Drawing (mm)



# LWFA-160 Series

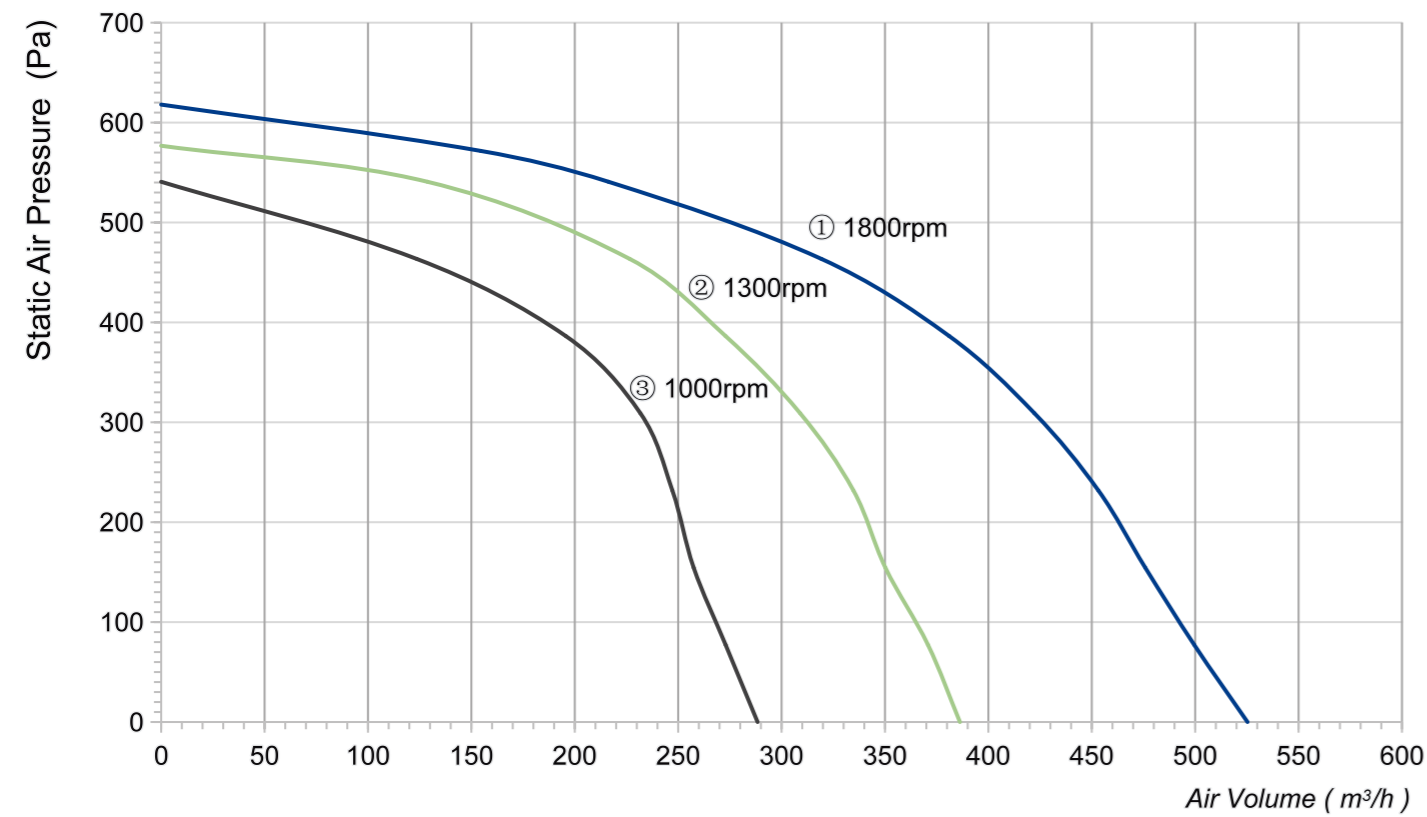
## Product Characteristic

- Material : Plastic PA66
- Mode of operation: S1
- Type of operation: IP54
- Insulation class: F
- Bearing: Maintenance-free ball bearings
- Operation Temperature: -30~+60 C

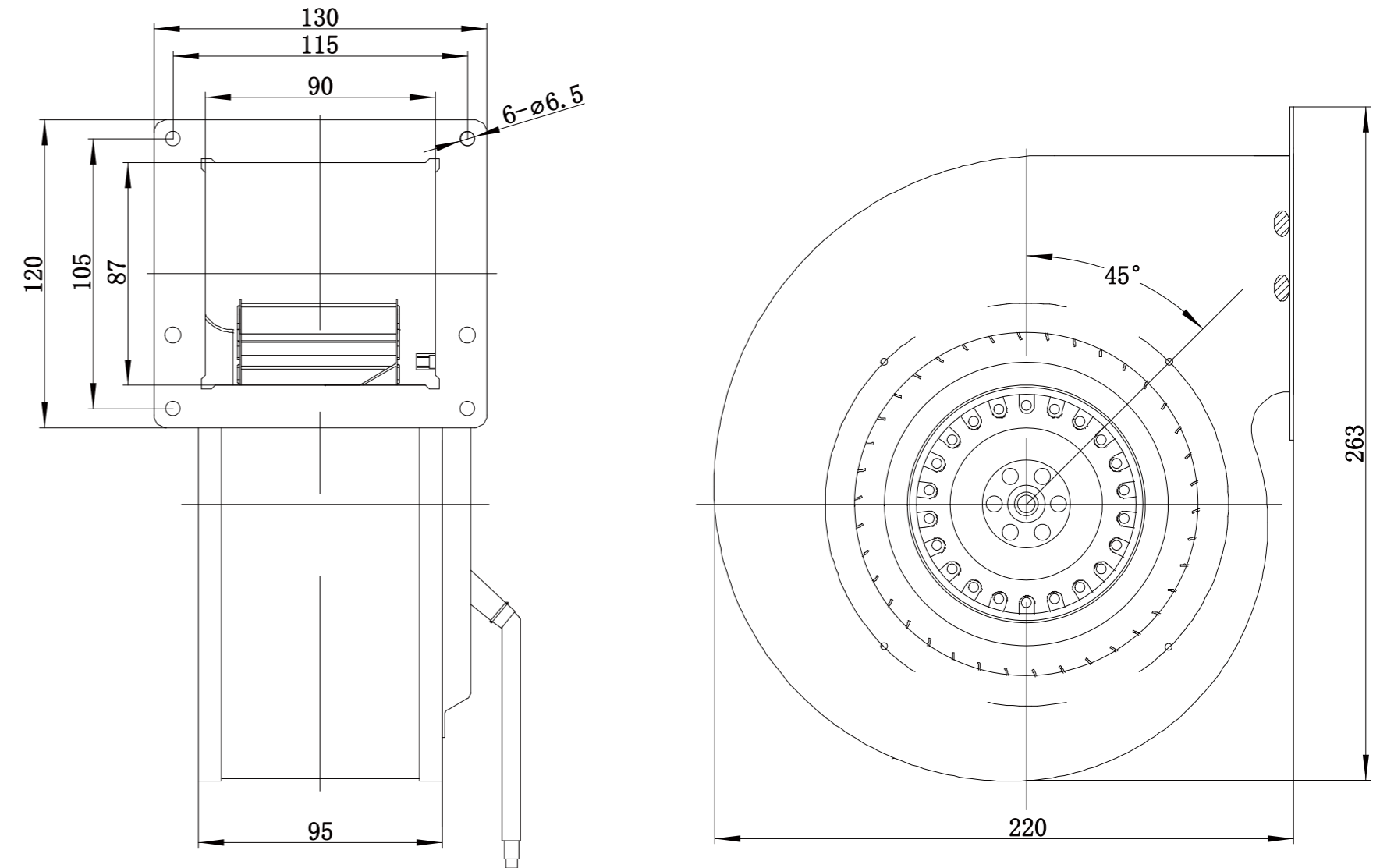


## Technical Specifications

Model	Voltage (V)	Frequency (Hz)	Power (W)	Current (A)	Speed (RPM)	Air Flow (m³/h)	Air Pressure (Pa)	Noise [dB(A)]	Capacitor	Curve
			220	1	1800	525	618	61	4uF	①
LWFA2E160-092SS-04	230	50	190	0.9	1300	386	577	54	4uF	②
			160	0.75	1000	288	541	47	4uF	③



## Product Drawing (mm)



# LWFA-180 Series

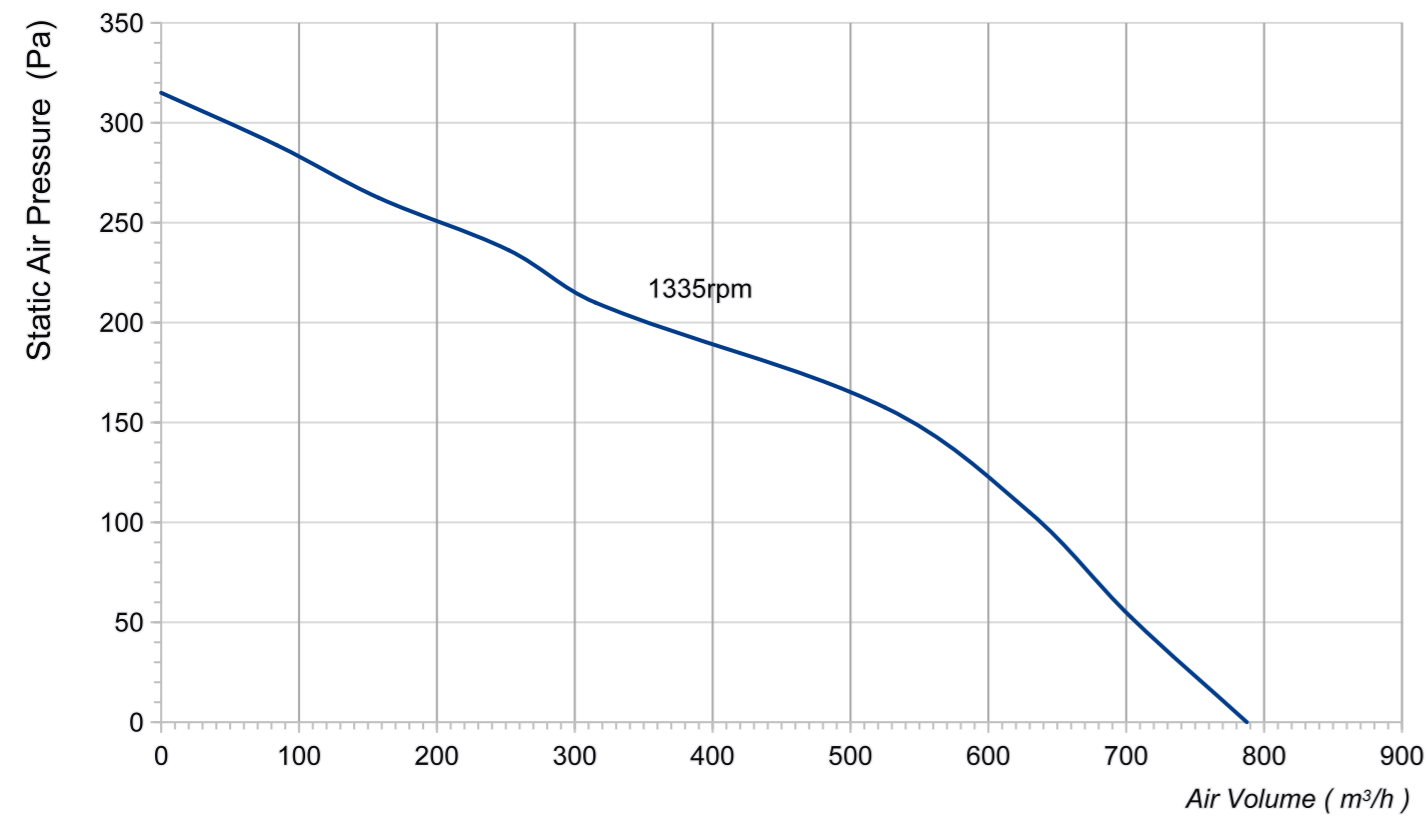
## Product Characteristic

- Material : Galvanised sheet steel
- Mode of operation: S1
- Type of operation: IP54
- Insulation class: F
- Bearing: Maintenance-free ball bearings
- Operation Temperature: -30~+60 C

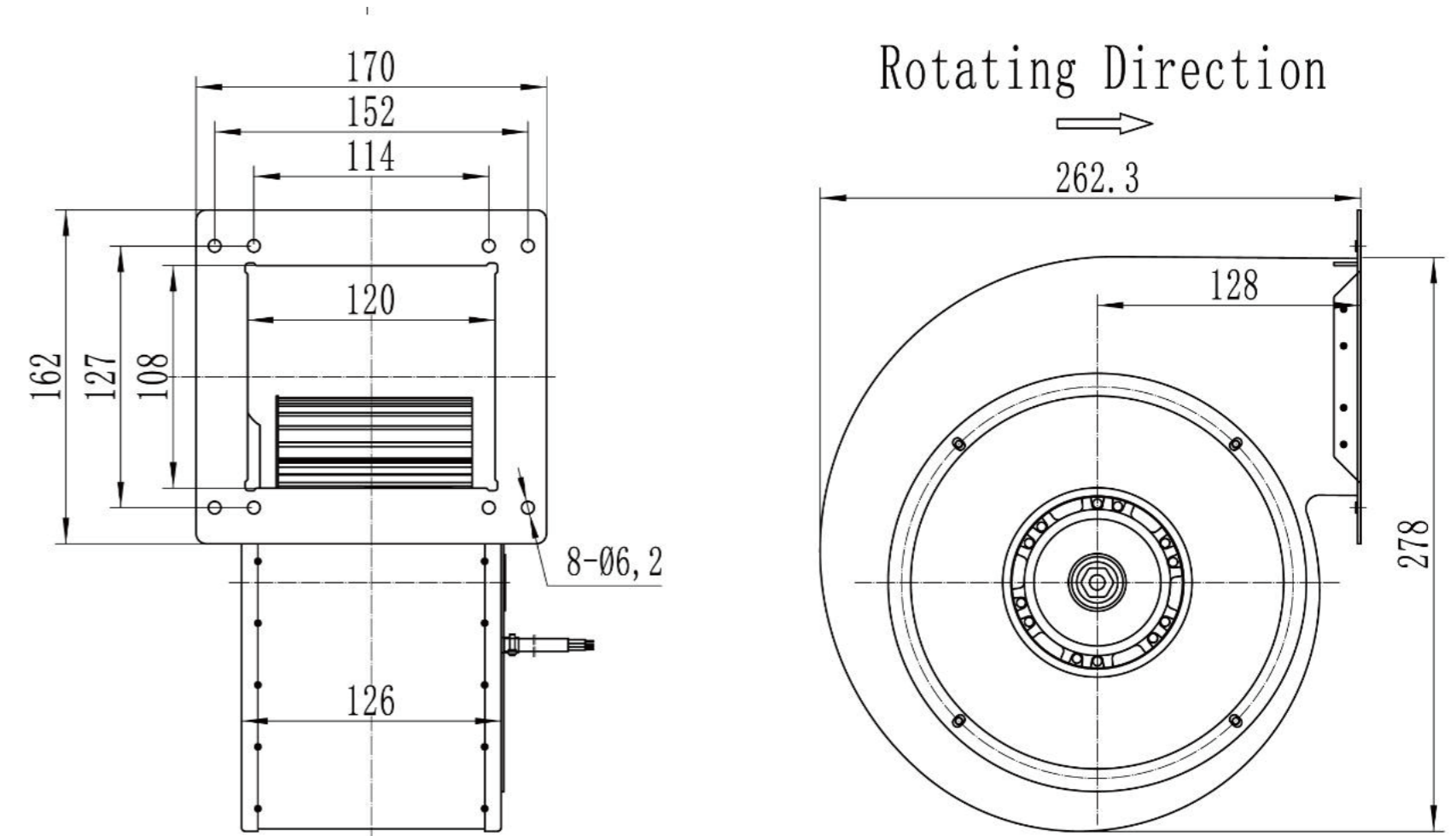


## Technical Specifications

Model	Voltage (V)	Frequency (Hz)	Power (W)	Current (A)	Speed (RPM)	Air Flow (m³/h)	Air Pressure (Pa)	Noise [dB(A)]	Capacitor	Curve
LWFA4E180-092SS-01	230	50	137	0.59	1335	788	315	63	5uF	/



## Product Drawing (mm)



# LWFA-180 Series

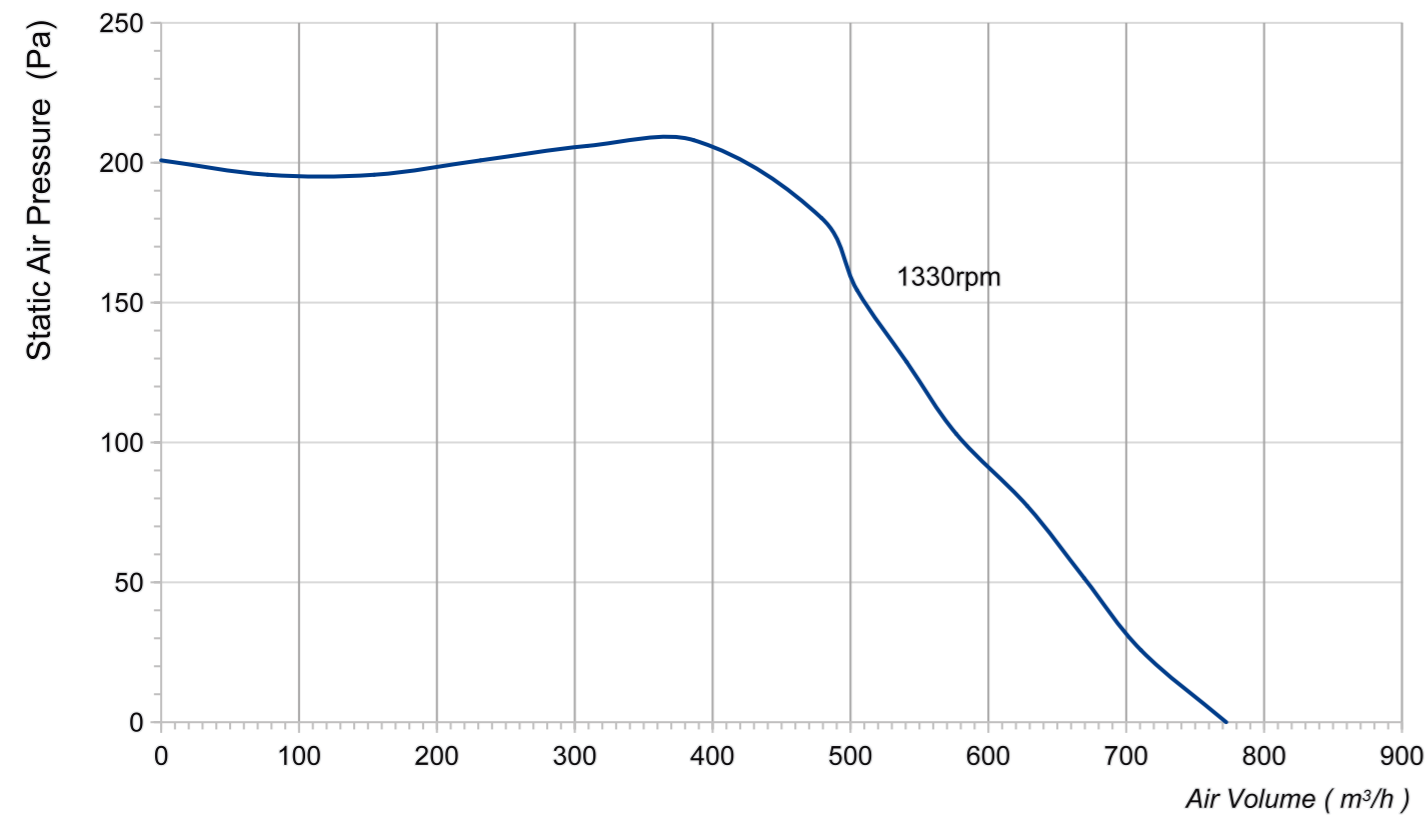
## Product Characteristic

- Material : Galvanised sheet steel
- Mode of operation: S1
- Type of operation: IP54
- Insulation class: F
- Bearing: Maintenance-free ball bearings
- Operation Temperature: -30~+60 C

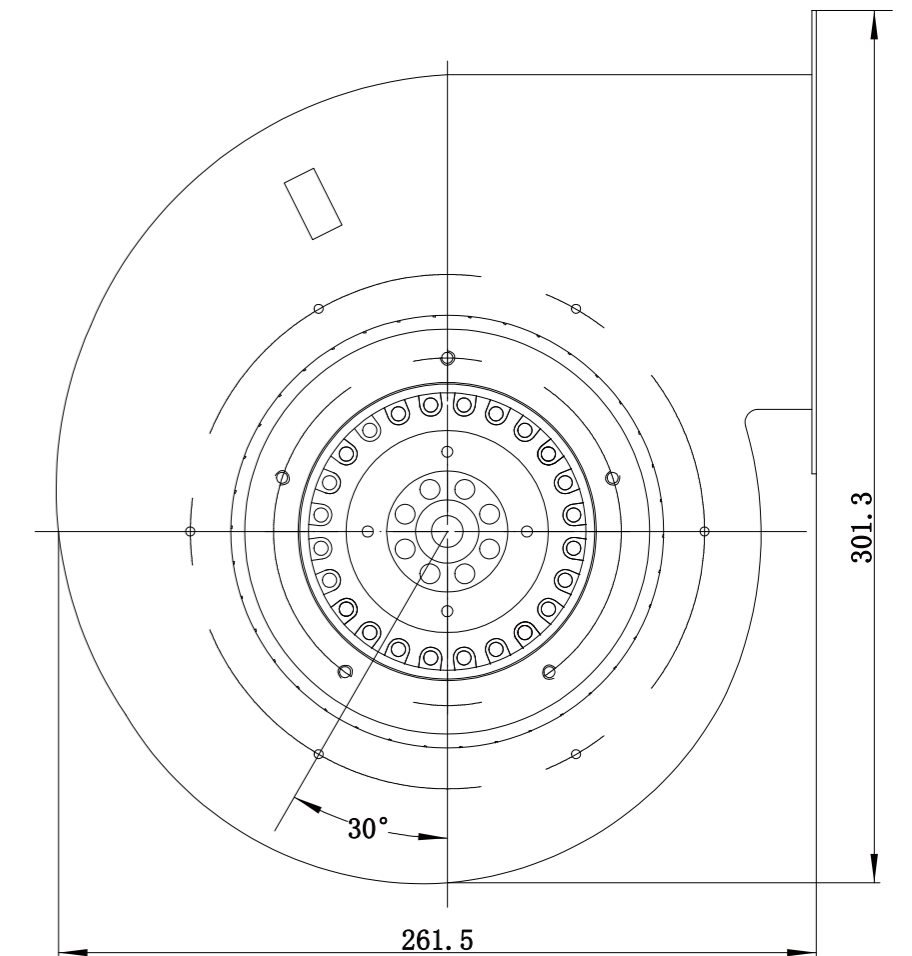
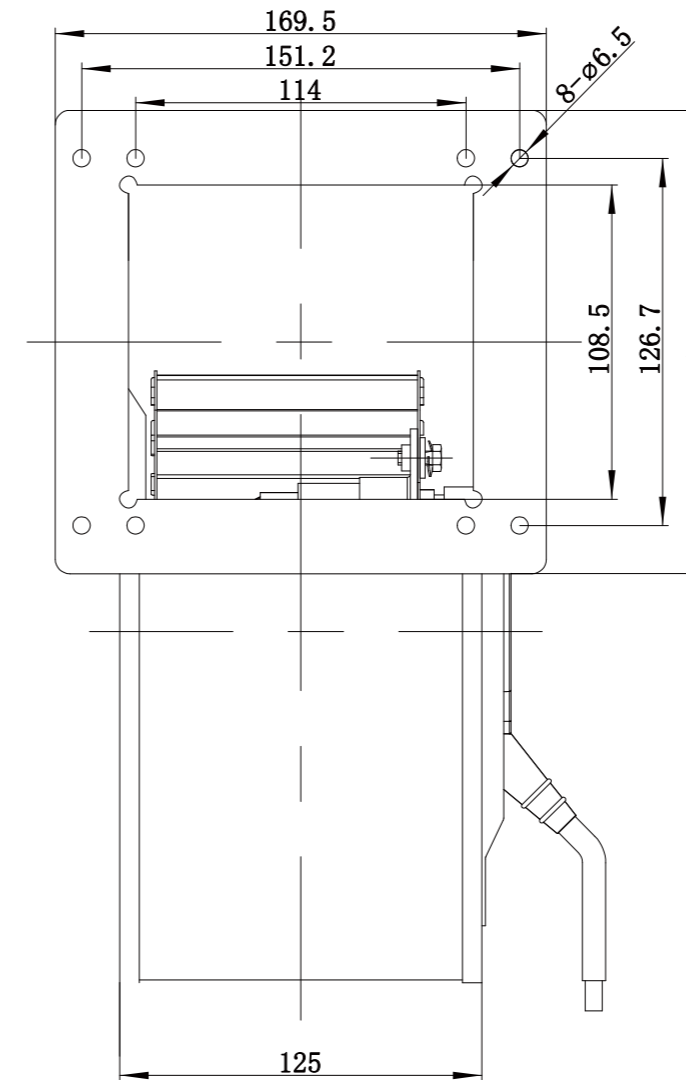


## Technical Specifications

Model	Voltage (V)	Frequency (Hz)	Power (W)	Current (A)	Speed (RPM)	Air Flow (m³/h)	Air Pressure (Pa)	Noise [dB(A)]	Capacitor	Curve
LWFA4E180-092SS-02	230	50	135	0.7	1330	773	201	63	3uF	/



## Product Drawing (mm)



# LWFA-180 Series

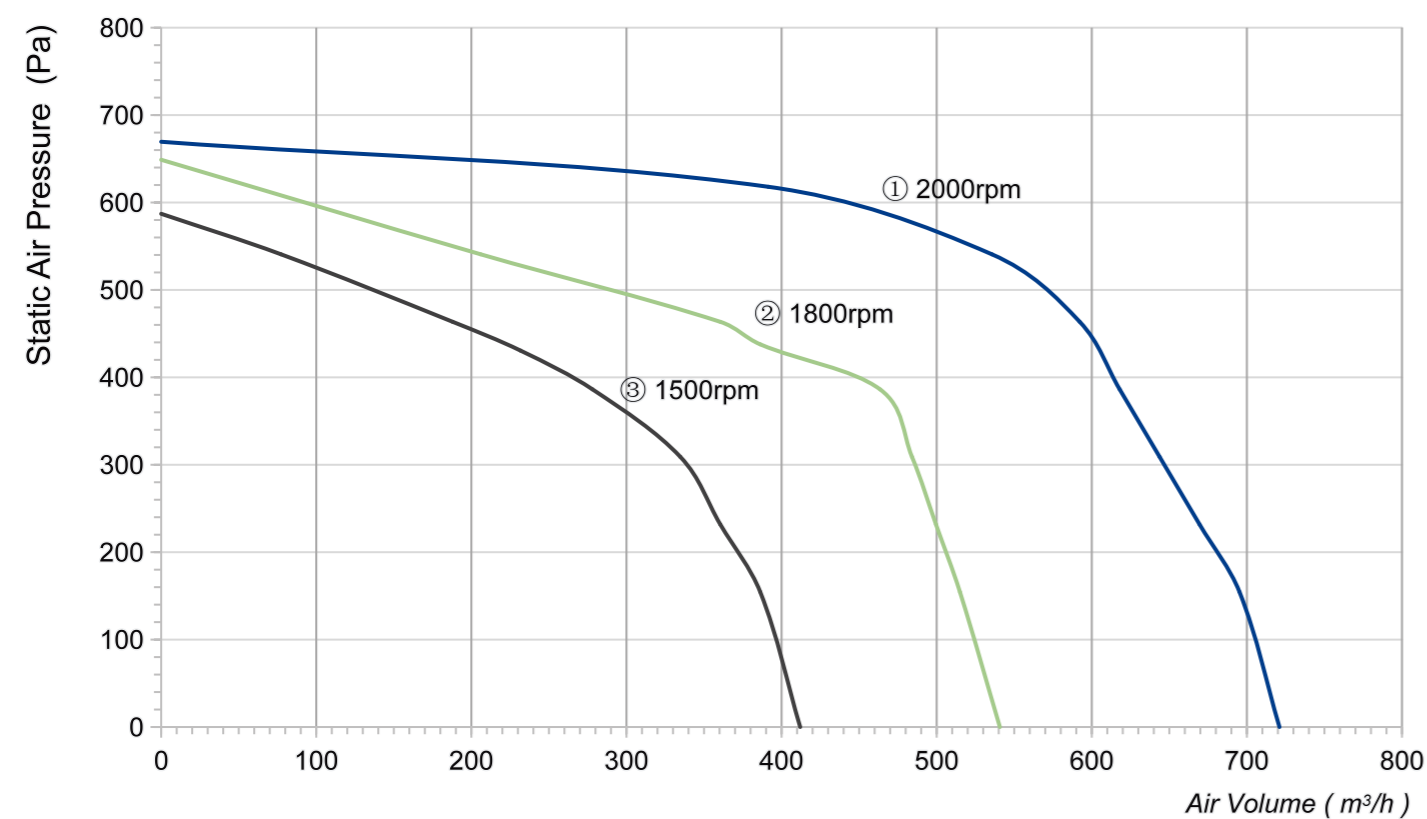
## Product Characteristic

- Material : Galvanised sheet steel
- Mode of operation: S1
- Type of operation: IP54
- Insulation class: F
- Bearing: Maintenance-free ball bearings
- Operation Temperature: -30~+60 C

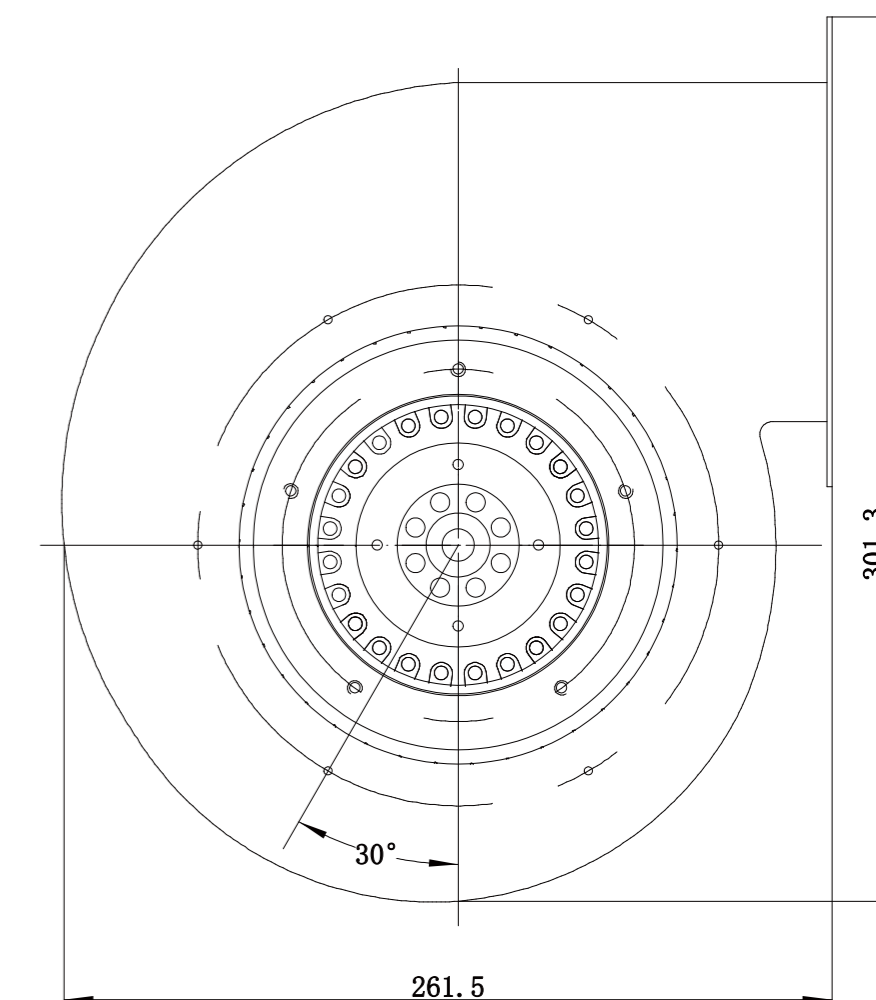
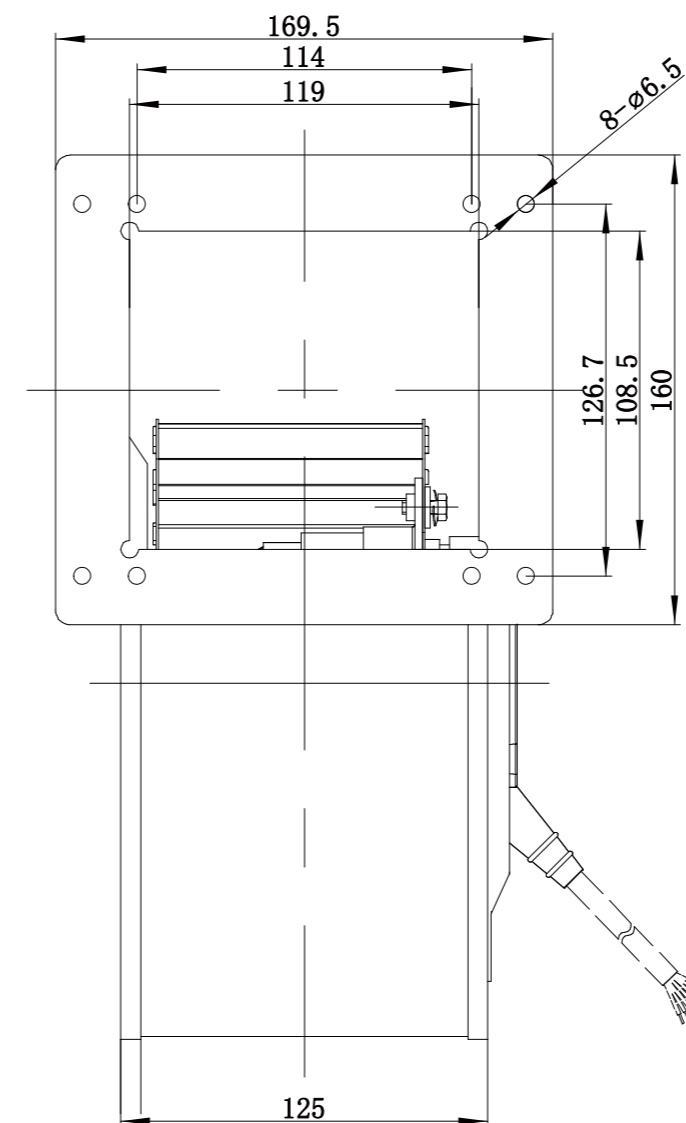


## Technical Specifications

Model	Voltage (V)	Frequency (Hz)	Power (W)	Current (A)	Speed (RPM)	Air Flow (m³/h)	Air Pressure (Pa)	Noise [dB(A)]	Capacitor	Curve
			300	1.35	2000	742	670	73	7uF	①
LWFA2E180-092SS-03	230	50	250	1.2	1800	541	649	69	7uF	②
			195	0.95	1500	412	587	65	7uF	③



## Product Drawing (mm)



# LWFA-225 Series

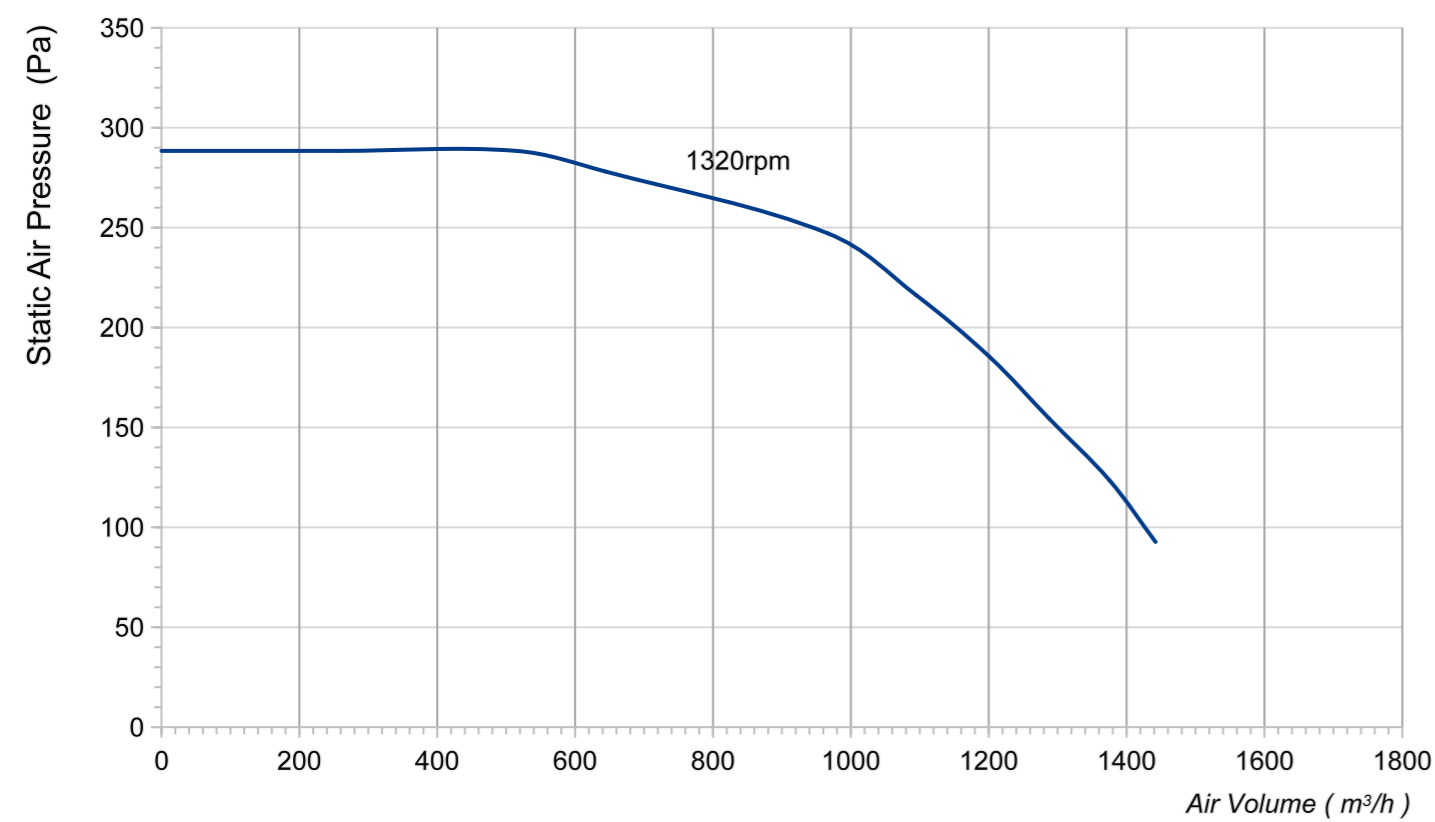
## Product Characteristic

- Material : Galvanised sheet steel
- Mode of operation: S1
- Type of operation: IP54
- Insulation class: F
- Bearing: Maintenance-free ball bearings
- Operation Temperature: -30~+60 C

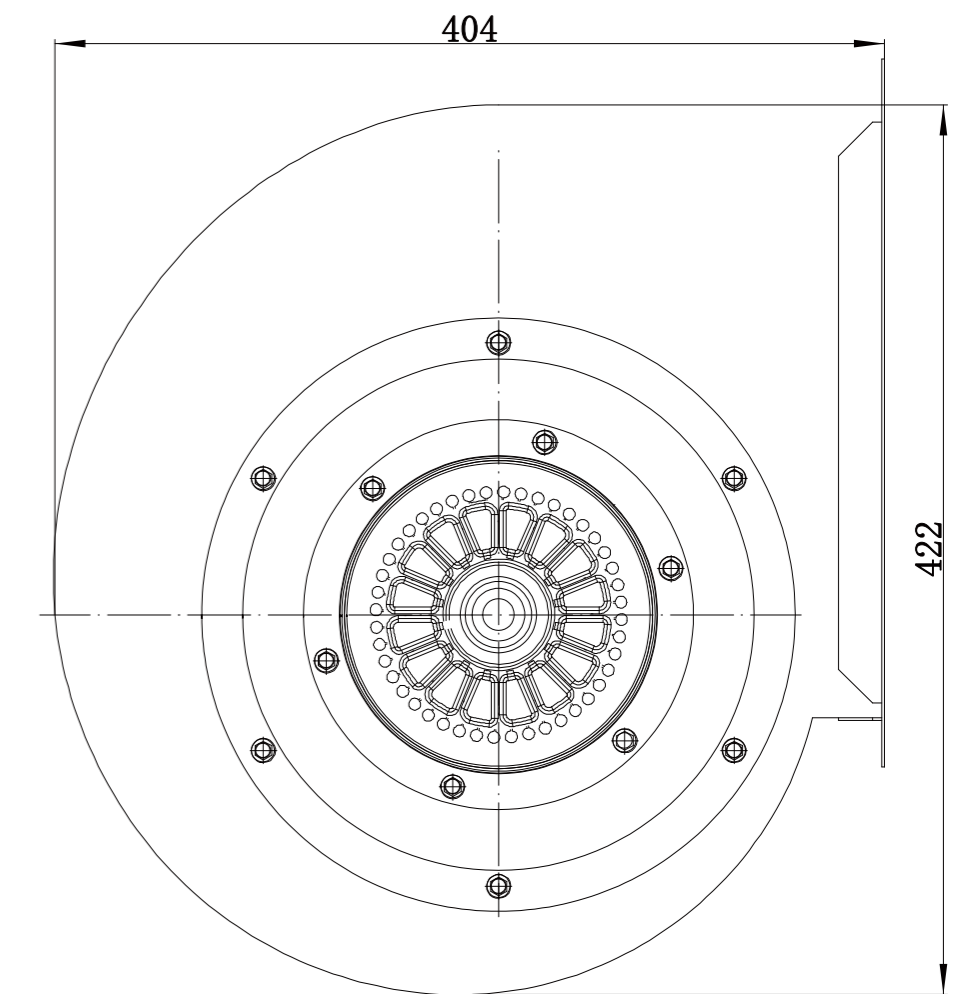
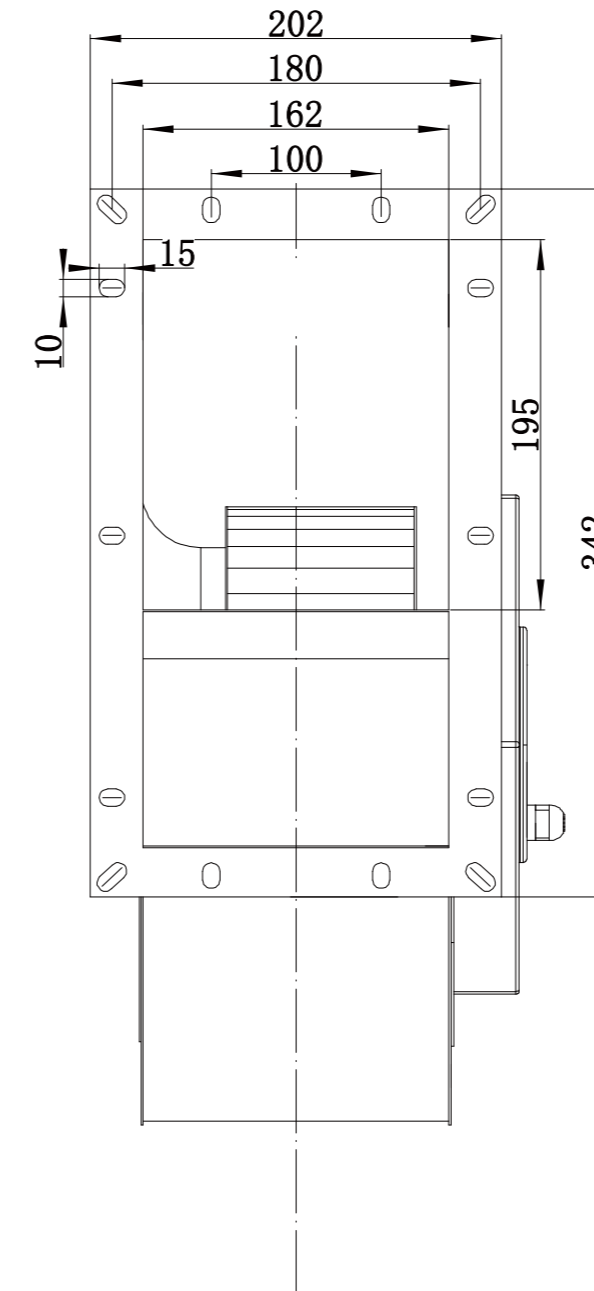


## Technical Specifications

Model	Voltage (V)	Frequency (Hz)	Power (W)	Current (A)	Speed (RPM)	Air Flow (m³/h)	Air Pressure (Pa)	Noise [dB(A)]	Capacitor	Curve
LWFA4E225-138SS-01	230	50	400	1.8	1320	1442	288	73	10uF	/
LWFA4D225-138ST-02	380	50	400	0.9	1390	1442	288	73	/	/



## Product Drawing (mm)



# LWFA-250 Series

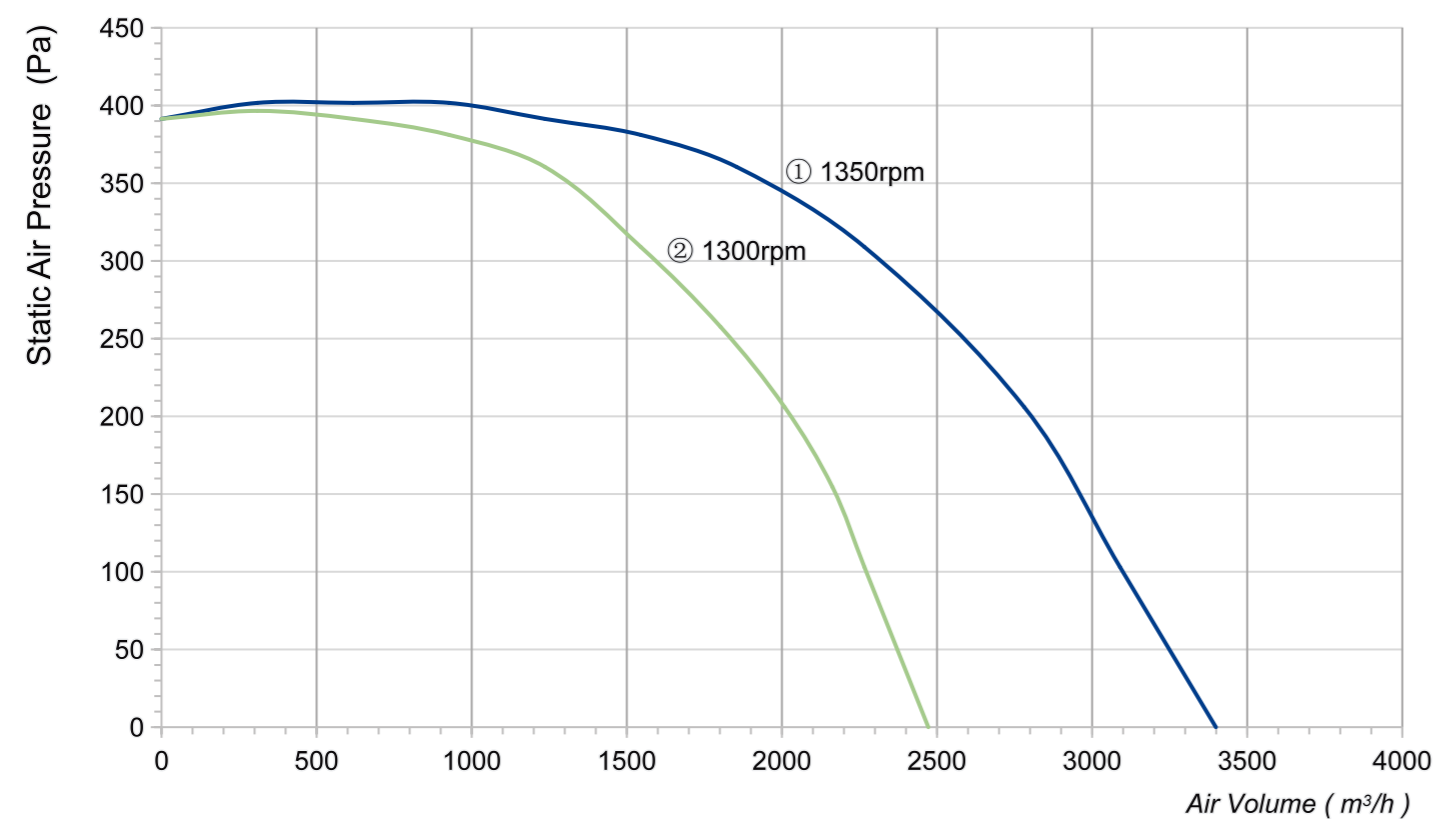
## Product Characteristic

- Material : Galvanised sheet steel
- Mode of operation: S1
- Type of operation: IP54
- Insulation class: F
- Bearing: Maintenance-free ball bearings
- Operation Temperature: -30~+60 C

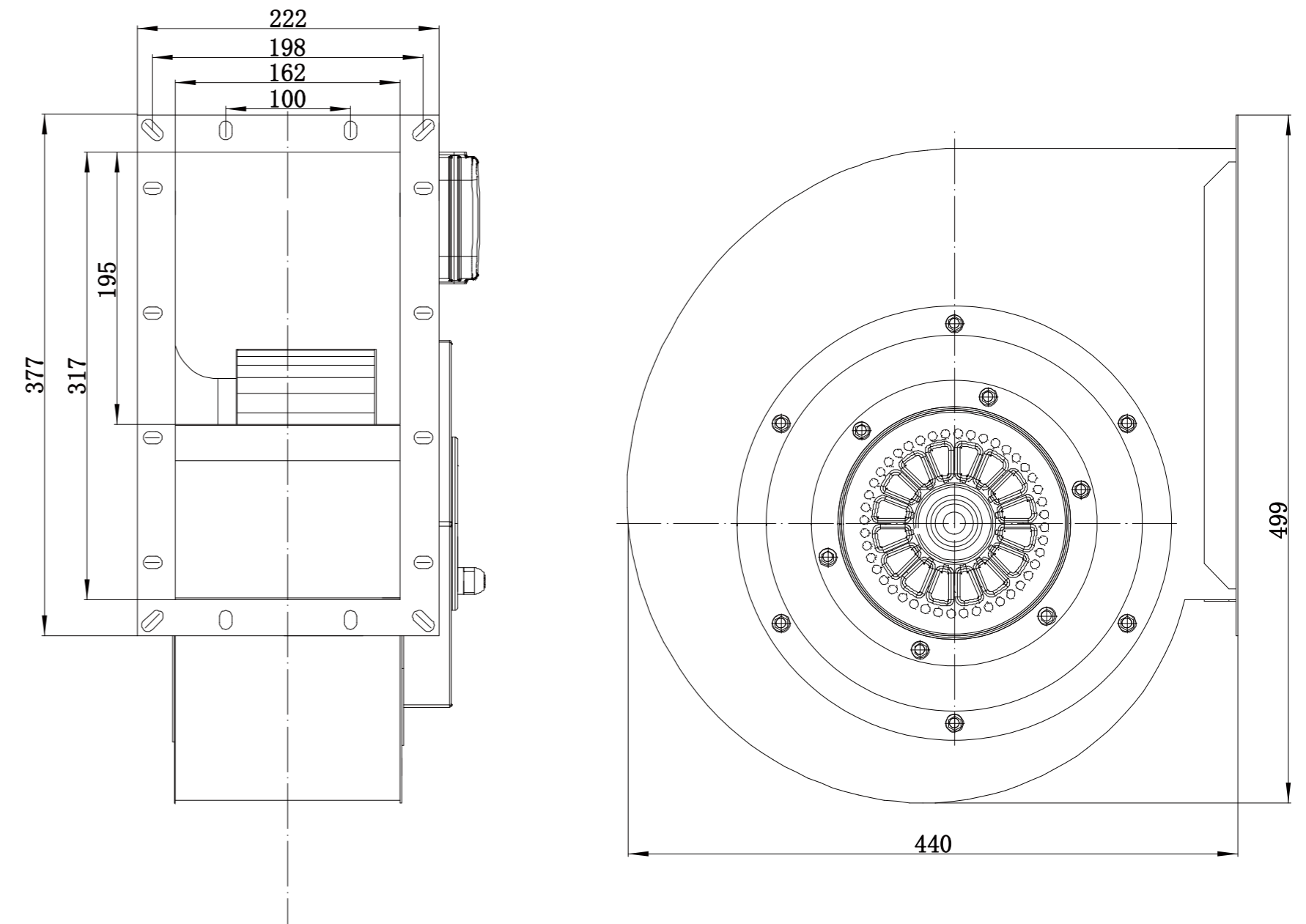


## Technical Specifications

Model	Voltage (V)	Frequency (Hz)	Power (W)	Current (A)	Speed (RPM)	Air Flow (m³/h)	Air Pressure (Pa)	Noise [dB(A)]	Capacitor	Curve
LWFA4D250-138ST-01	380	50	850	1.6	1350	3399	391	80	/	①
LWFA4D250-138ST-02	380	50	630	1.2	1300	2472	391	74	/	②



## Product Drawing (mm)



# LWFA-280 Series

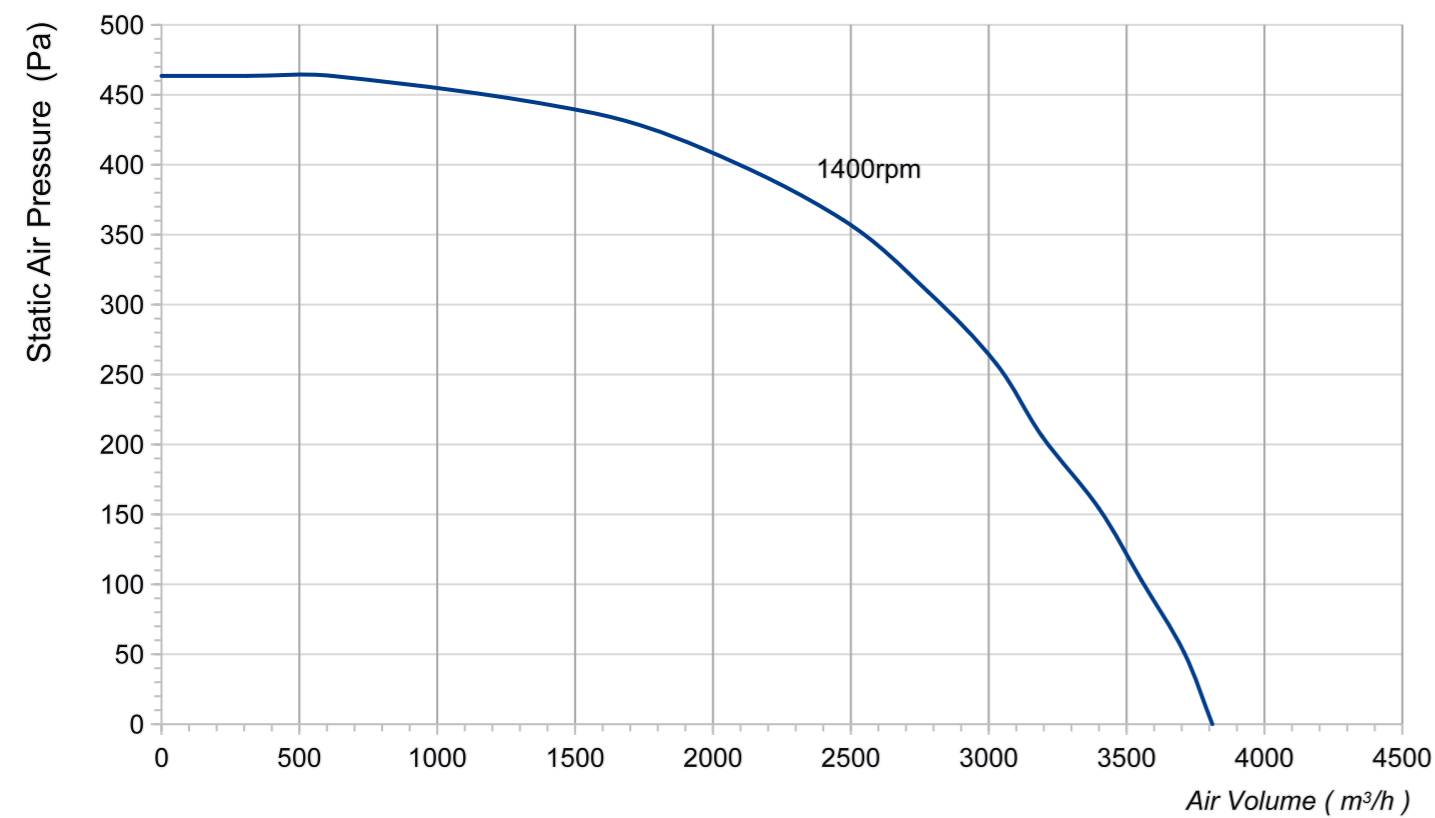
## Product Characteristic

- Material : Galvanised sheet steel
- Mode of operation: S1
- Type of operation: IP54
- Insulation class: F
- Bearing: Maintenance-free ball bearings
- Operation Temperature: -30~+60 C

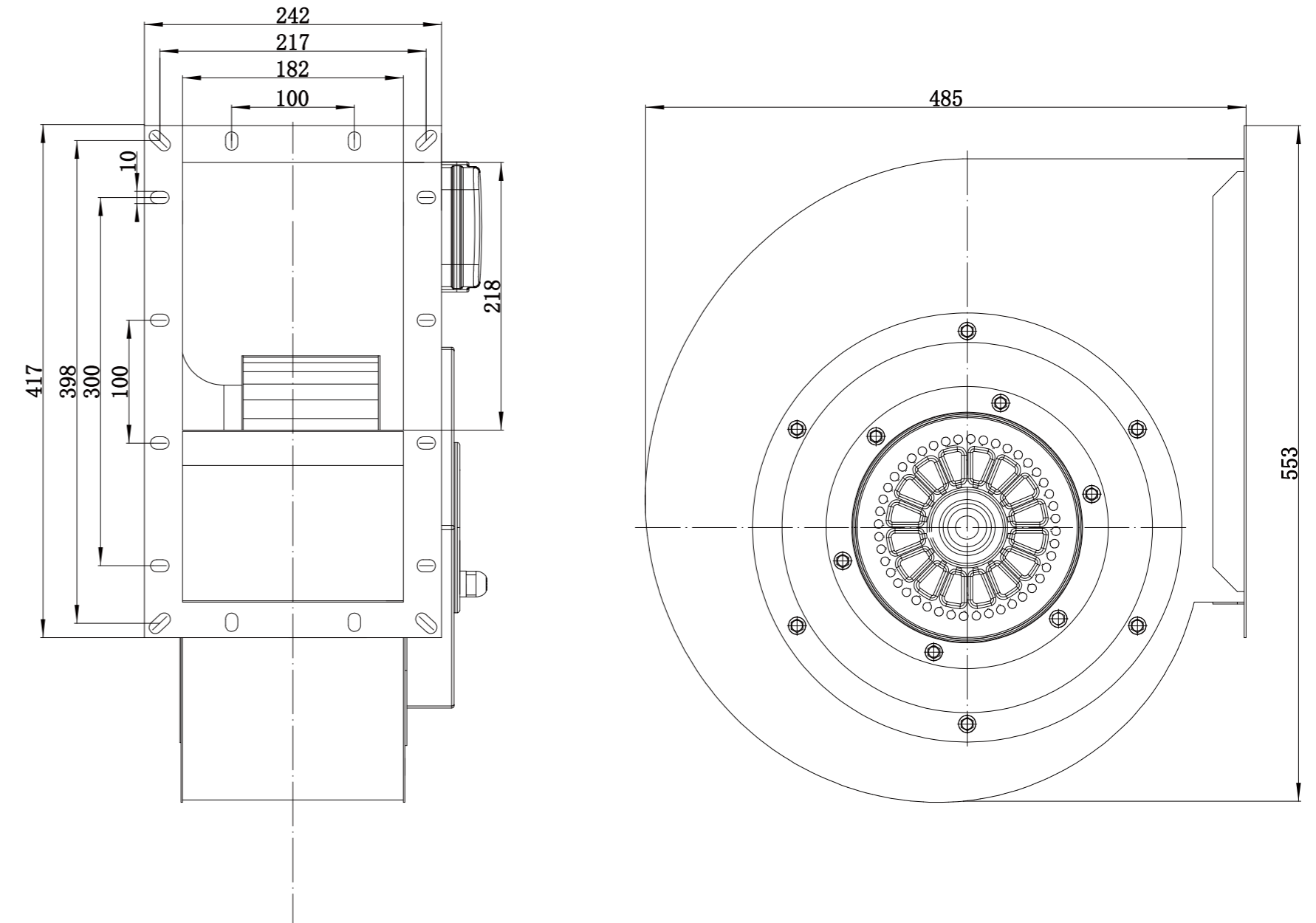


## Technical Specifications

Model	Voltage (V)	Frequency (Hz)	Power (W)	Current (A)	Speed (RPM)	Air Flow (m³/h)	Air Pressure (Pa)	Noise [dB(A)]	Capacitor	Curve
LWFA4D280-188ST-01	380	50	1400	2.5	1400	3811	464	82	/	/



## Product Drawing (mm)



# LWFA-315 Series

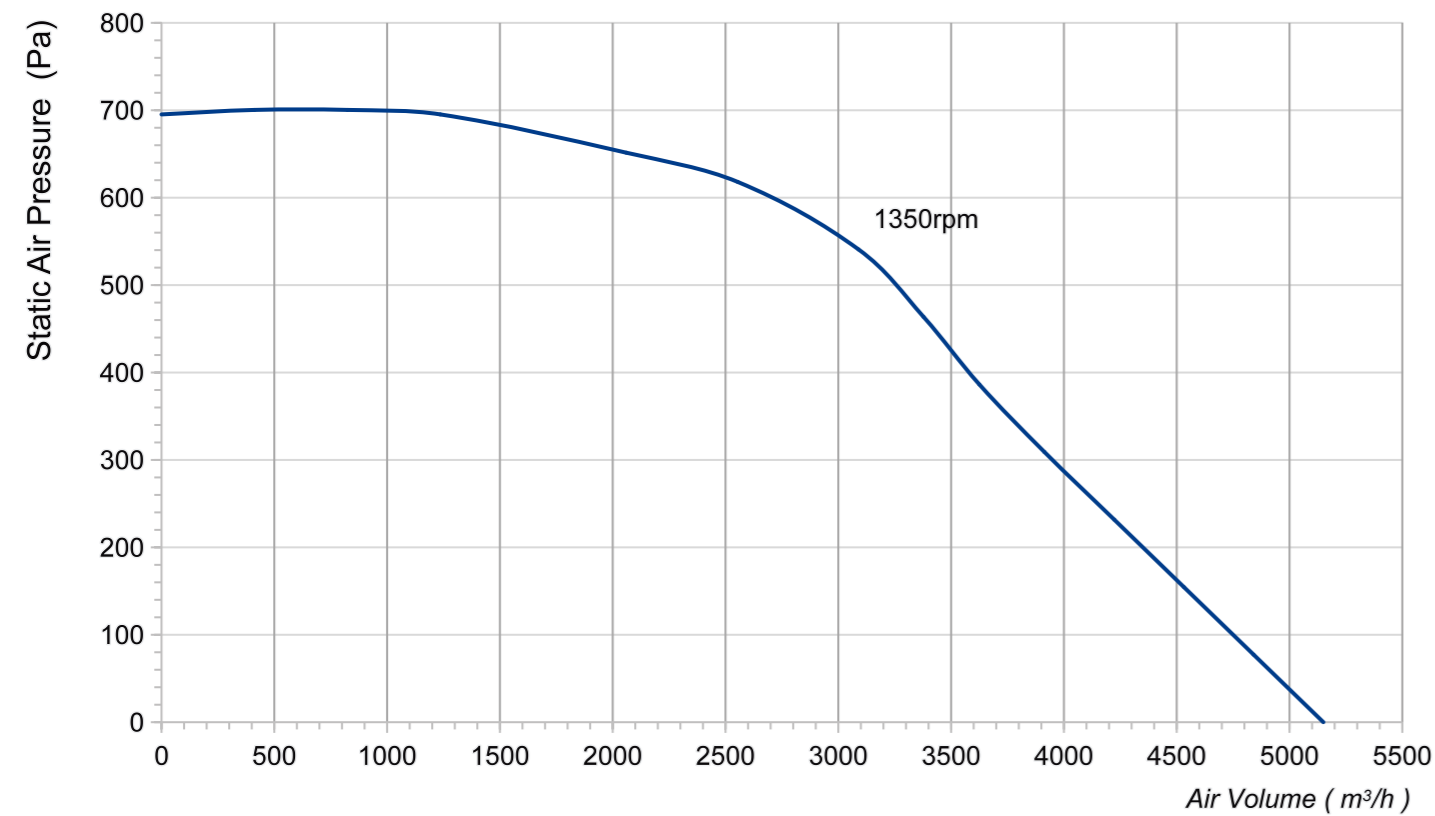
## Product Characteristic

- Material : Galvanised sheet steel
- Mode of operation: S1
- Type of operation: IP54
- Insulation class: F
- Bearing: Maintenance-free ball bearings
- Operation Temperature: -30~+60 C



## Technical Specifications

Model	Voltage (V)	Frequency (Hz)	Power (W)	Current (A)	Speed (RPM)	Air Flow (m³/h)	Air Pressure (Pa)	Noise [dB(A)]	Capacitor	Curve
LWFA4D315-188ST-01	380	50	2200	3.7	1350	5150	695	85	/	/



## Product Drawing (mm)

