

Type Code

LW F A 2E 108 - 072 N S - 01

Series number

T-380VAC S-230VAC U-115V
 L-12VDC M-24VDC
 H-48VDC Z-310VDC

N-Without housing/bracket
 S-Single inlet with housing
 D-Dual-inlet with housing
 P-with bracket

Diameter of Rotor:72/92/102/138/188/218

Diameter of Impeller

2E-2pole 4E-4pole 6E-6 pole 6D-6pole
 8D-8pole 3G-3 phase 1G-Single phase

A-AC D-DC E-EC

B-Backward F-Forward D-Duct Fans

Longwell

AC Forward Centrifugal Fan

Professional HVAC Fan & Motors Manufacturer



LWFA-108 Series

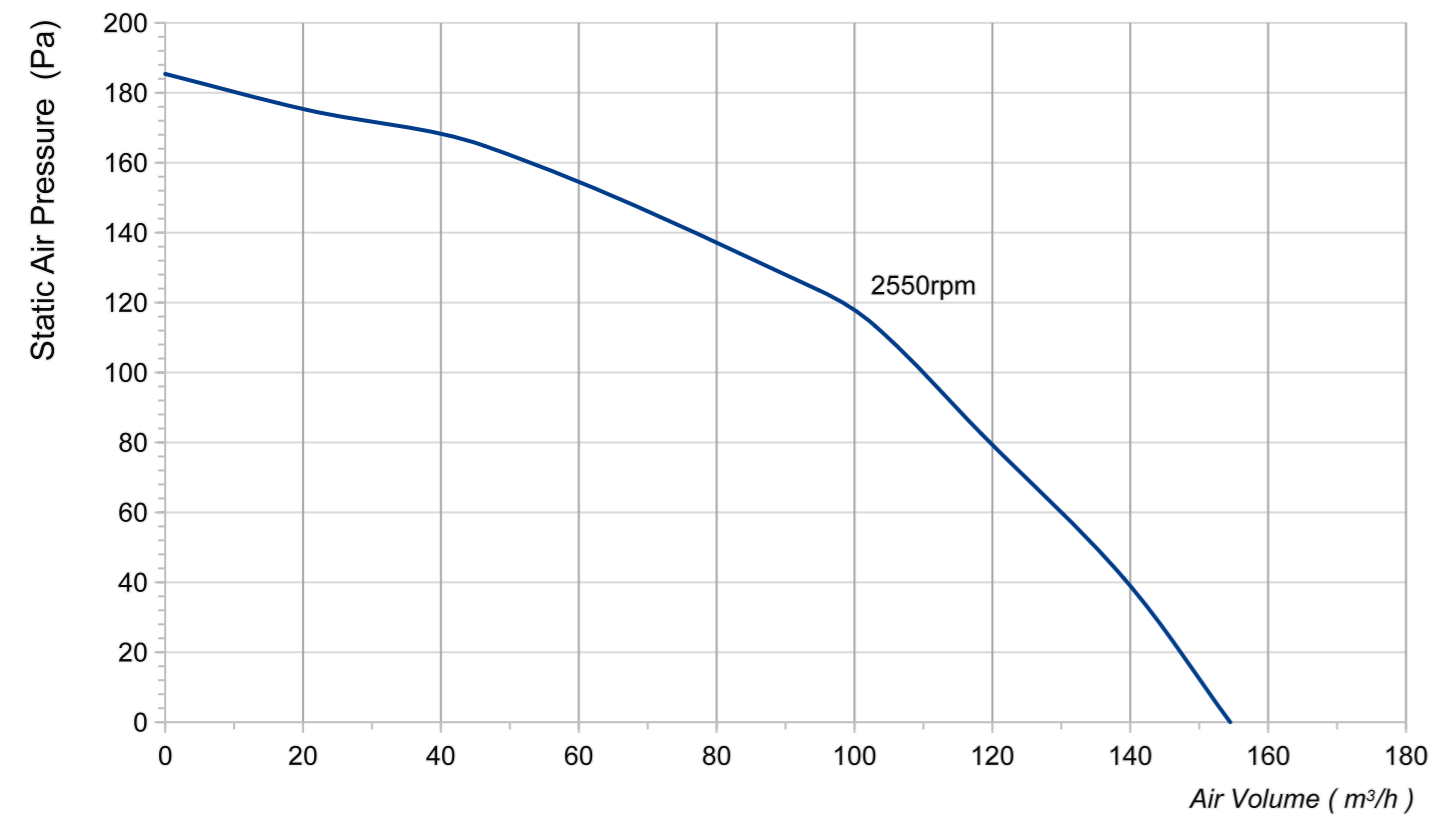
Product Characteristic

- Material : Galvanised sheet steel
- Mode of operation: S1
- Type of operation: IP54
- Insulation class: B
- Bearing: Maintenance-free ball bearings
- Operation Temperature: -30~+60 C

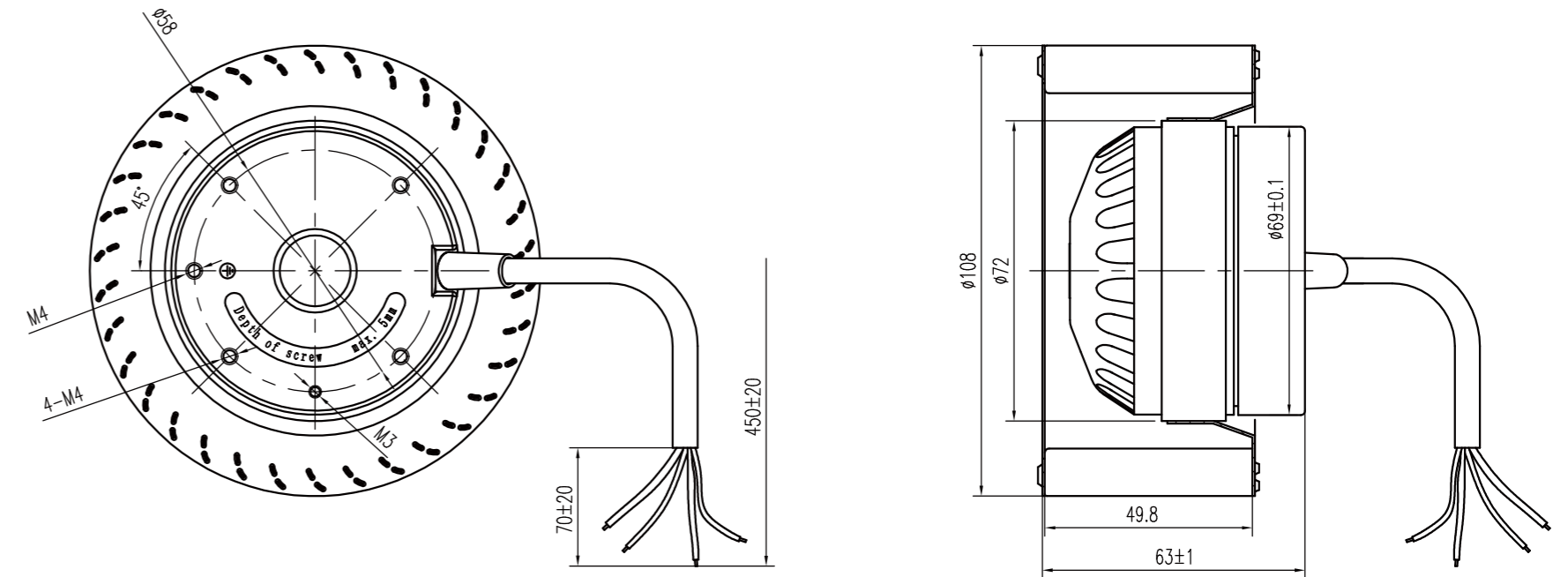


Technical Specifications

Model	Voltage (V)	Frequency (Hz)	Power (W)	Current (A)	Speed (RPM)	Air Flow (m³/h)	Air Pressure (Pa)	Noise [dB(A)]	Capacitor	Curve
LWFA2E108-072NS-01	230	50	30	/	2550	155	185	53	1uF	/



Product Drawing (mm)



LWFA-120 Series

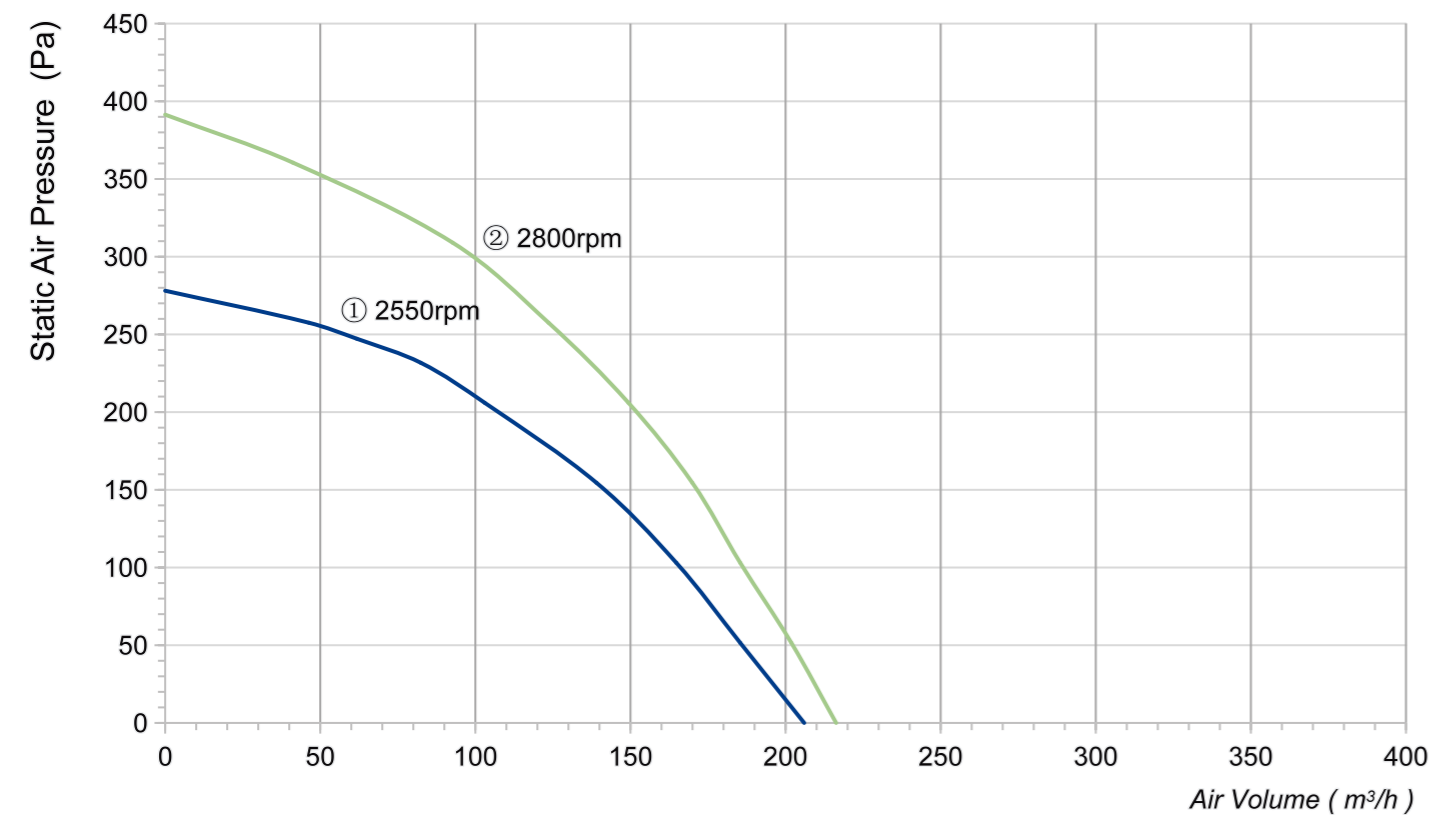
Product Characteristic

- Material : Galvanised sheet steel
- Mode of operation: S1
- Type of operation: IP54
- Insulation class: F
- Bearing: Maintenance-free ball bearings
- Operation Temperature: -30~+60 °C

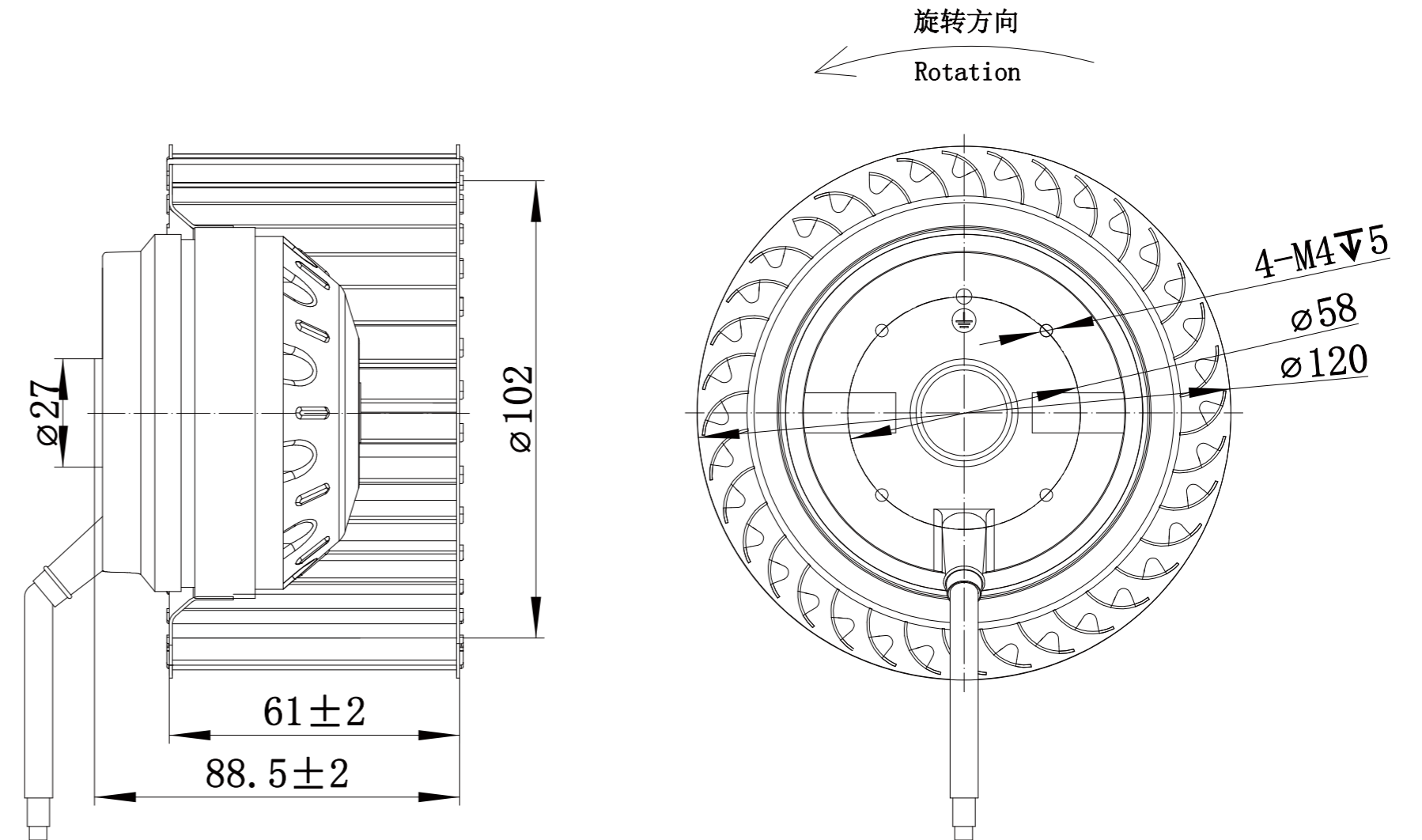


Technical Specifications

Model	Voltage (V)	Frequency (Hz)	Power (W)	Current (A)	Speed (RPM)	Air Flow (m³/h)	Air Pressure (Pa)	Noise [dB(A)]	Capacitor	Curve
LWFA2E120-092NS-01	230	50	50	0.25	2550	206	278	51	1.5uF	①
LWFA2E120-092NS-02	230	60	63	0.3	2800	216	391	53	1.5uF	②



Product Drawing (mm)



LWFA-133 Series

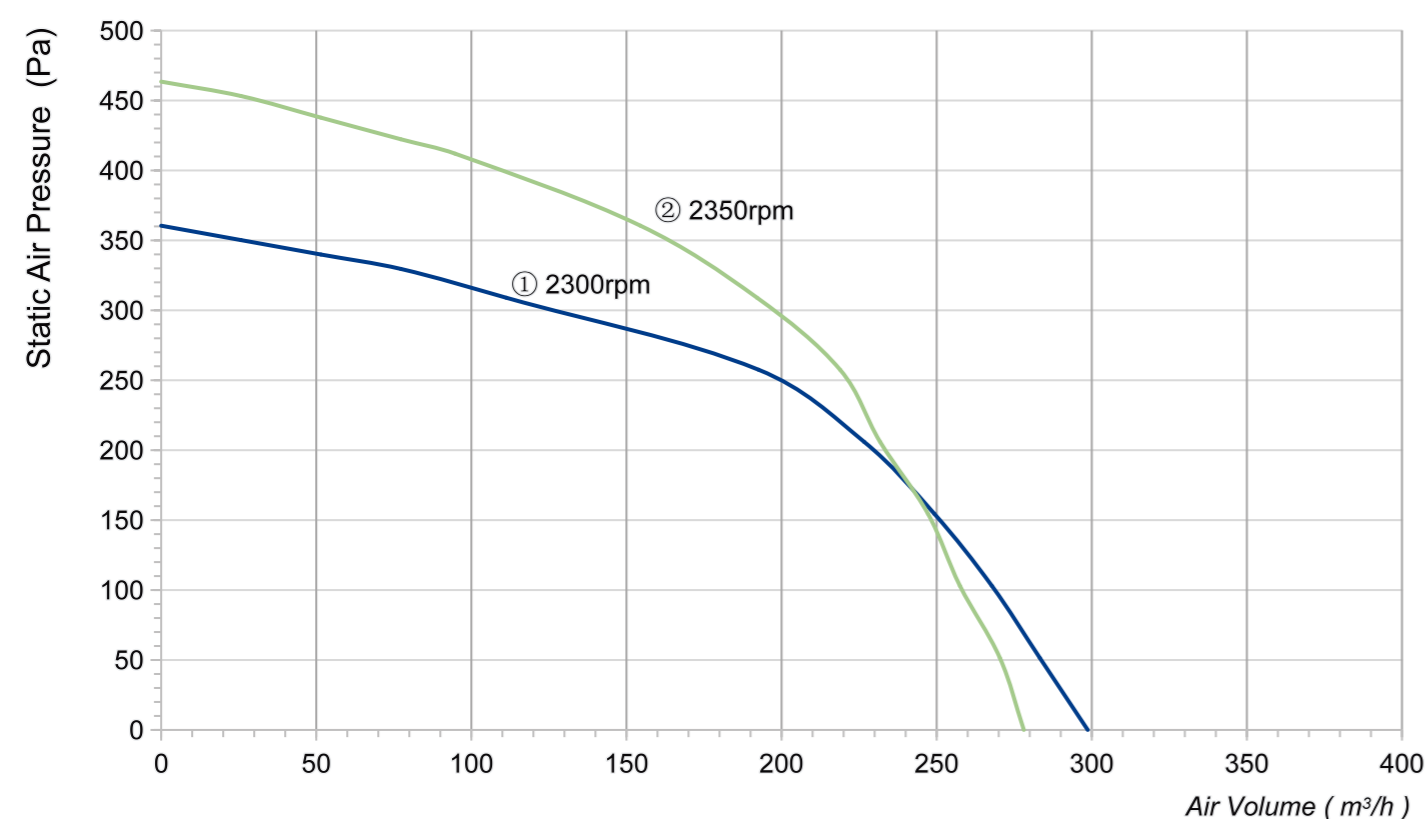
Product Characteristic

- Material : Galvanised sheet steel
- Mode of operation: S1
- Type of operation: IP54
- Insulation class: F
- Bearing: Maintenance-free ball bearings
- Operation Temperature: -30~+60 C

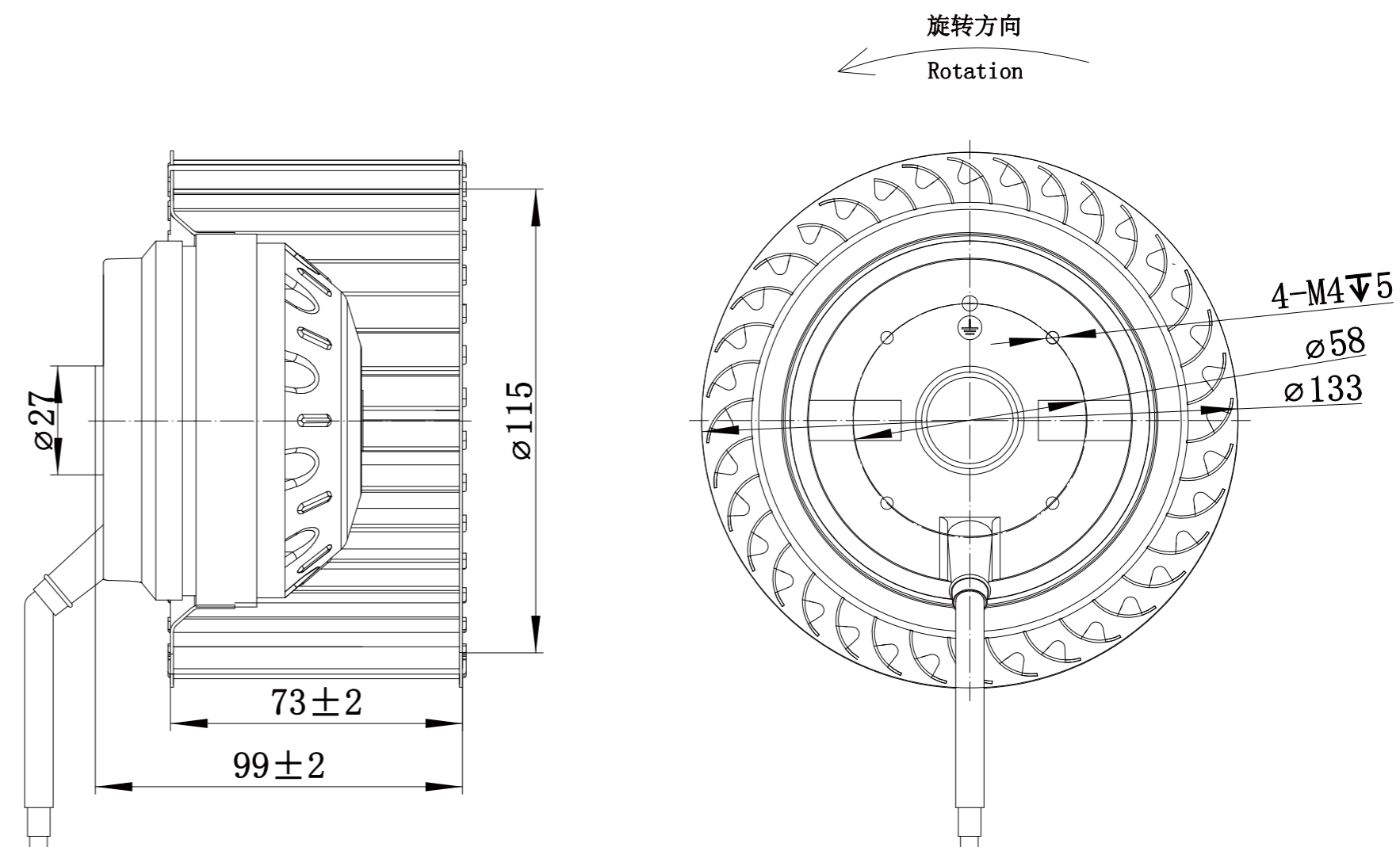


Technical Specifications

Model	Voltage (V)	Frequency (Hz)	Power (W)	Current (A)	Speed (RPM)	Air Flow (m³/h)	Air Pressure (Pa)	Noise [dB(A)]	Capacitor	Curve
LWFA2E133-092NS-01	230	50	83	0.32	2300	299	361	61	2uF	①
LWFA2E133-092NS-02	230	60	95	0.4	2350	278	464	63	2uF	②



Product Drawing (mm)



LWFA-140 Series

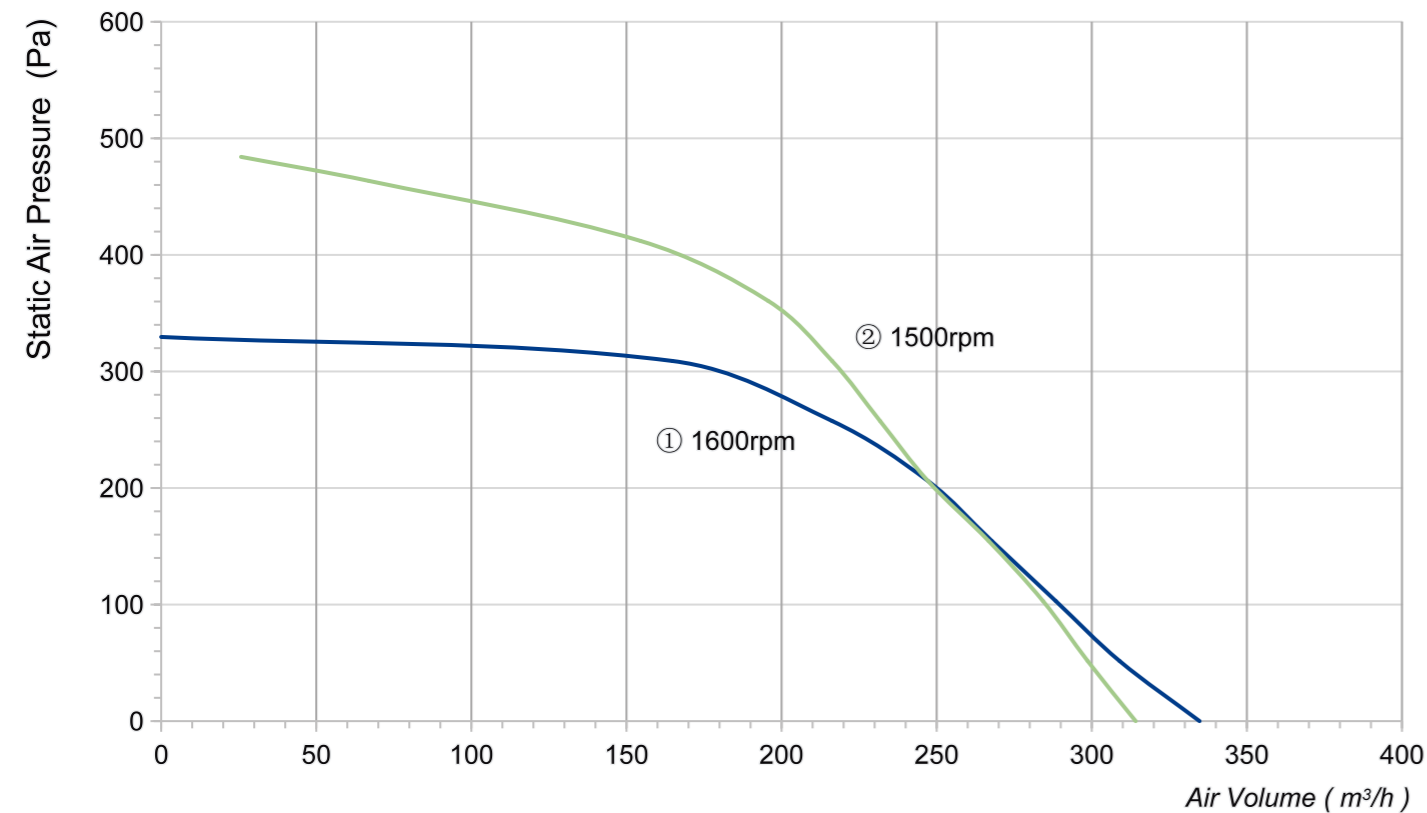
Product Characteristic

- Material : Galvanised sheet steel
- Mode of operation: S1
- Type of operation: IP54
- Insulation class: F
- Bearing: Maintenance-free ball bearings
- Operation Temperature: -30~+60 C

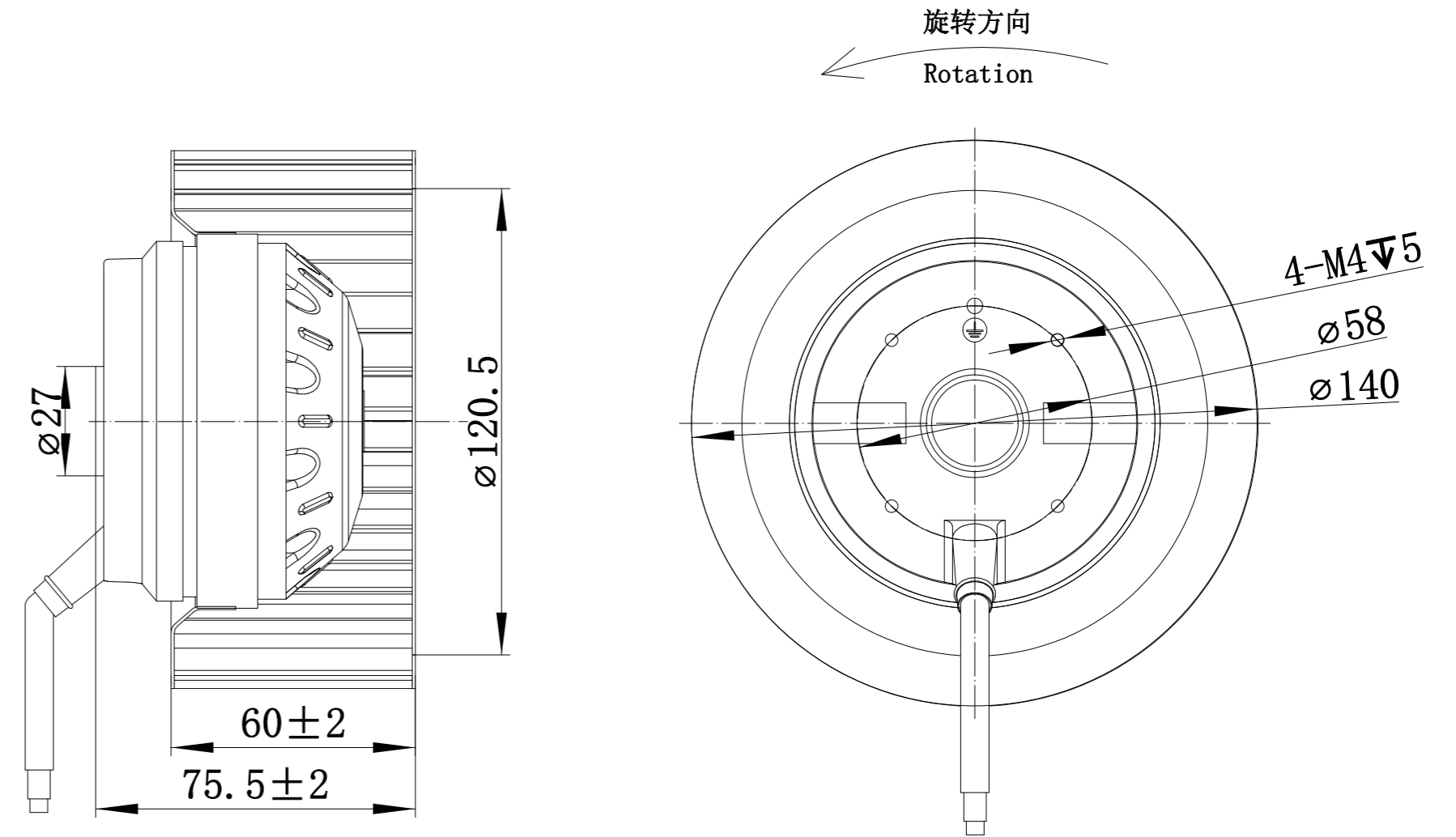


Technical Specifications

Model	Voltage (V)	Frequency (Hz)	Power (W)	Current (A)	Speed (RPM)	Air Flow (m³/h)	Air Pressure (Pa)	Noise [dB(A)]	Capacitor	Curve
LWFA2E140-092NS-01	230	50	100	0.42	1600	335	330	52	2uF	①
LWFA2E140-092NS-02	230	60	110	0.47	1500	314	484	58	2uF	②



Product Drawing (mm)



LWFA-140 Series

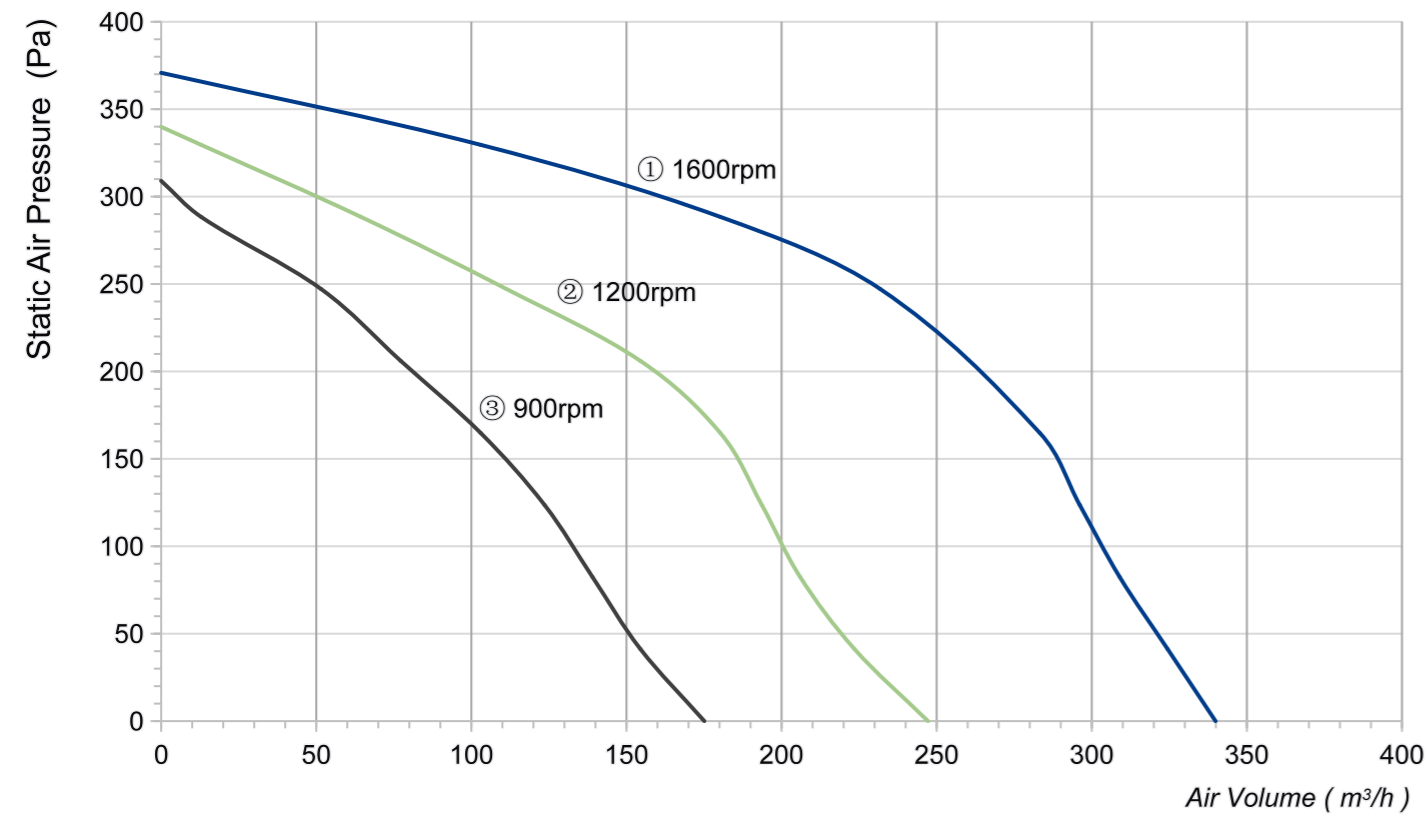
Product Characteristic

- Material : Galvanised sheet steel
- Mode of operation: S1
- Type of operation: IP54
- Insulation class: F
- Bearing: Maintenance-free ball bearings
- Operation Temperature: -30~+60 C

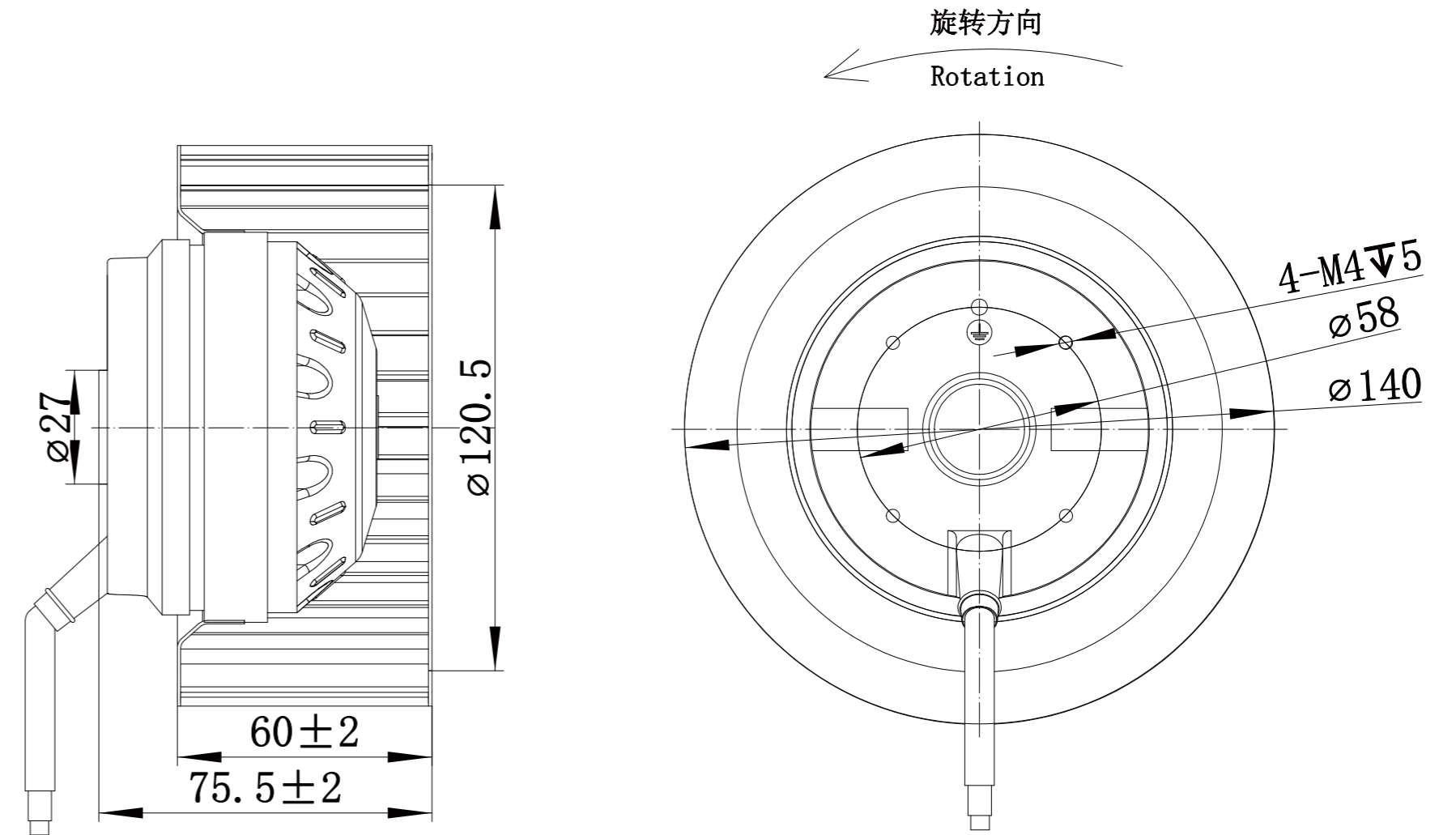


Technical Specifications

Model	Voltage (V)	Frequency (Hz)	Power (W)	Current (A)	Speed (RPM)	Air Flow (m³/h)	Air Pressure (Pa)	Noise [dB(A)]	Capacitor	Curve
			100	0.42	1600	340	371	52	2uF	①
LWFA2E140-092NS-03	230	50	65	0.3	1200	247	340	40	2uF	②
			40	0.2	900	175	309	32	2uF	③



Product Drawing (mm)



LWFA-150 Series

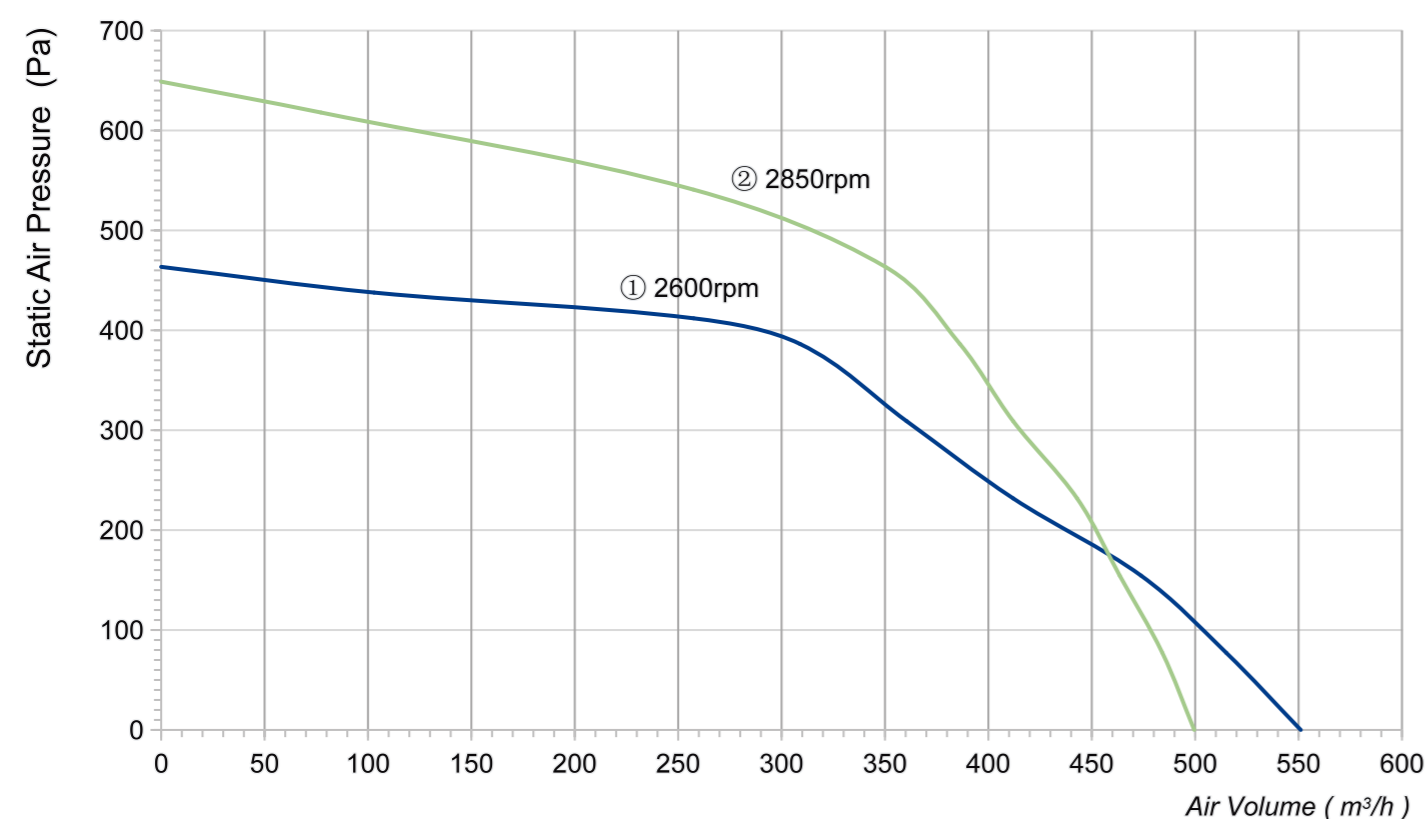
Product Characteristic

- Material : Galvanised sheet steel
- Mode of operation: S1
- Type of operation: IP54
- Insulation class: F
- Bearing: Maintenance-free ball bearings
- Operation Temperature: -30~+60 C

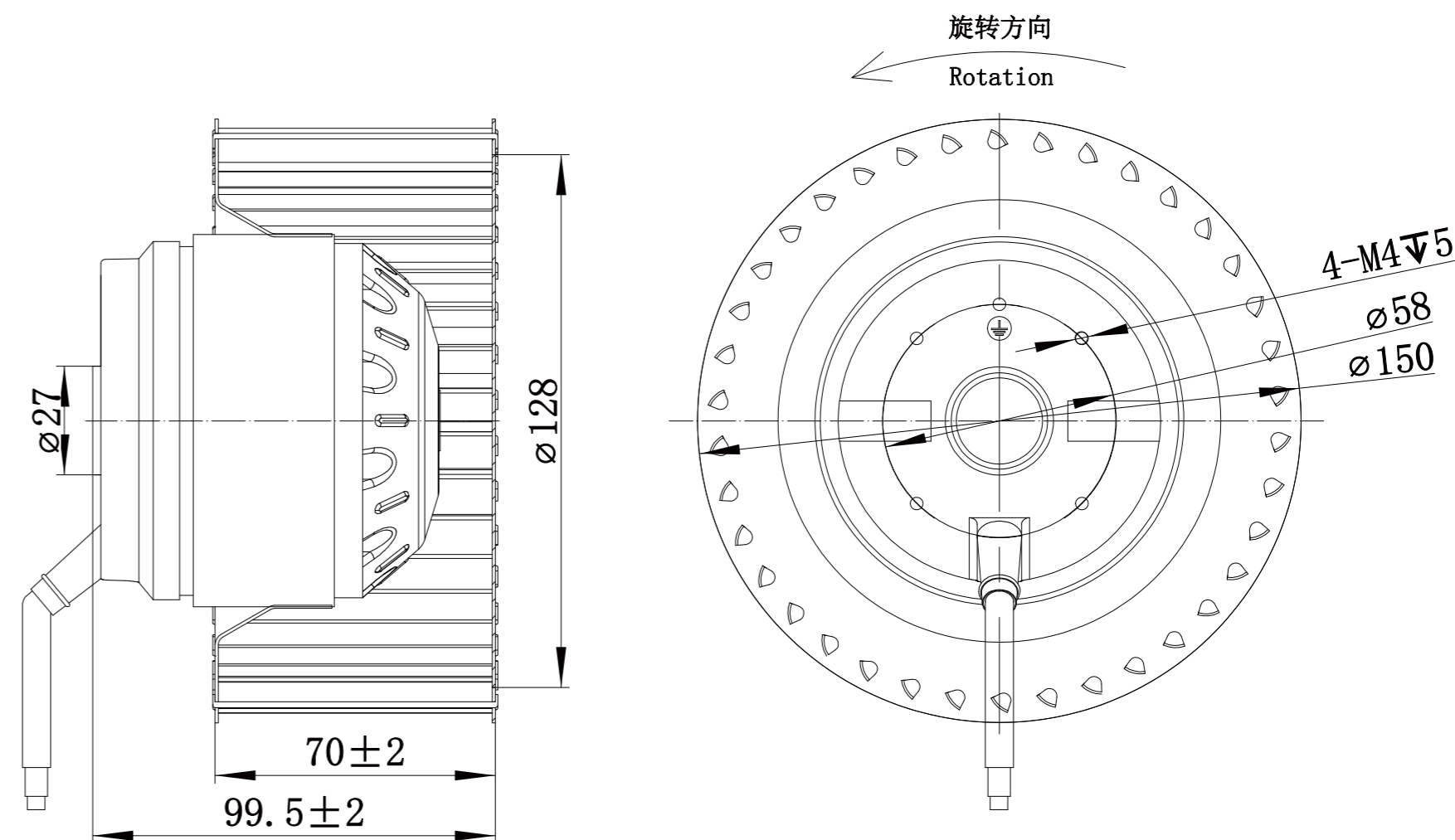


Technical Specifications

Model	Voltage (V)	Frequency (Hz)	Power (W)	Current (A)	Speed (RPM)	Air Flow (m³/h)	Air Pressure (Pa)	Noise [dB(A)]	Capacitor	Curve
LWFA2E150-092NS-01	230	50	135	0.65	2600	551	464	67	4uF	①
LWFA2E150-092NS-02	230	60	180	0.82	2850	500	649	71	4uF	②



Product Drawing (mm)



LWFA-160 Series

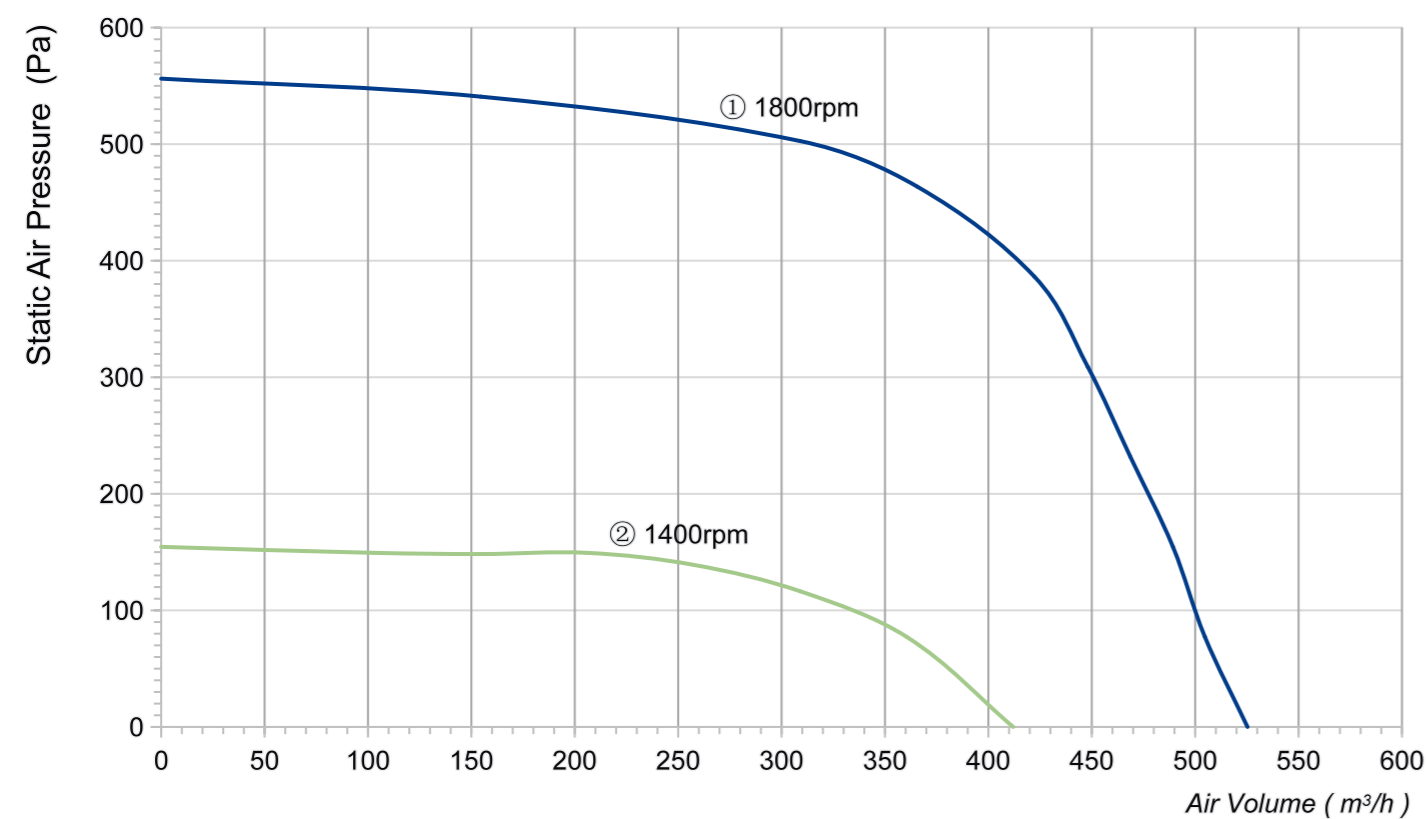
Product Characteristic

- Material : Galvanised sheet steel
- Mode of operation: S1
- Type of operation: IP54
- Insulation class: F
- Bearing: Maintenance-free ball bearings
- Operation Temperature: -30~+60 C

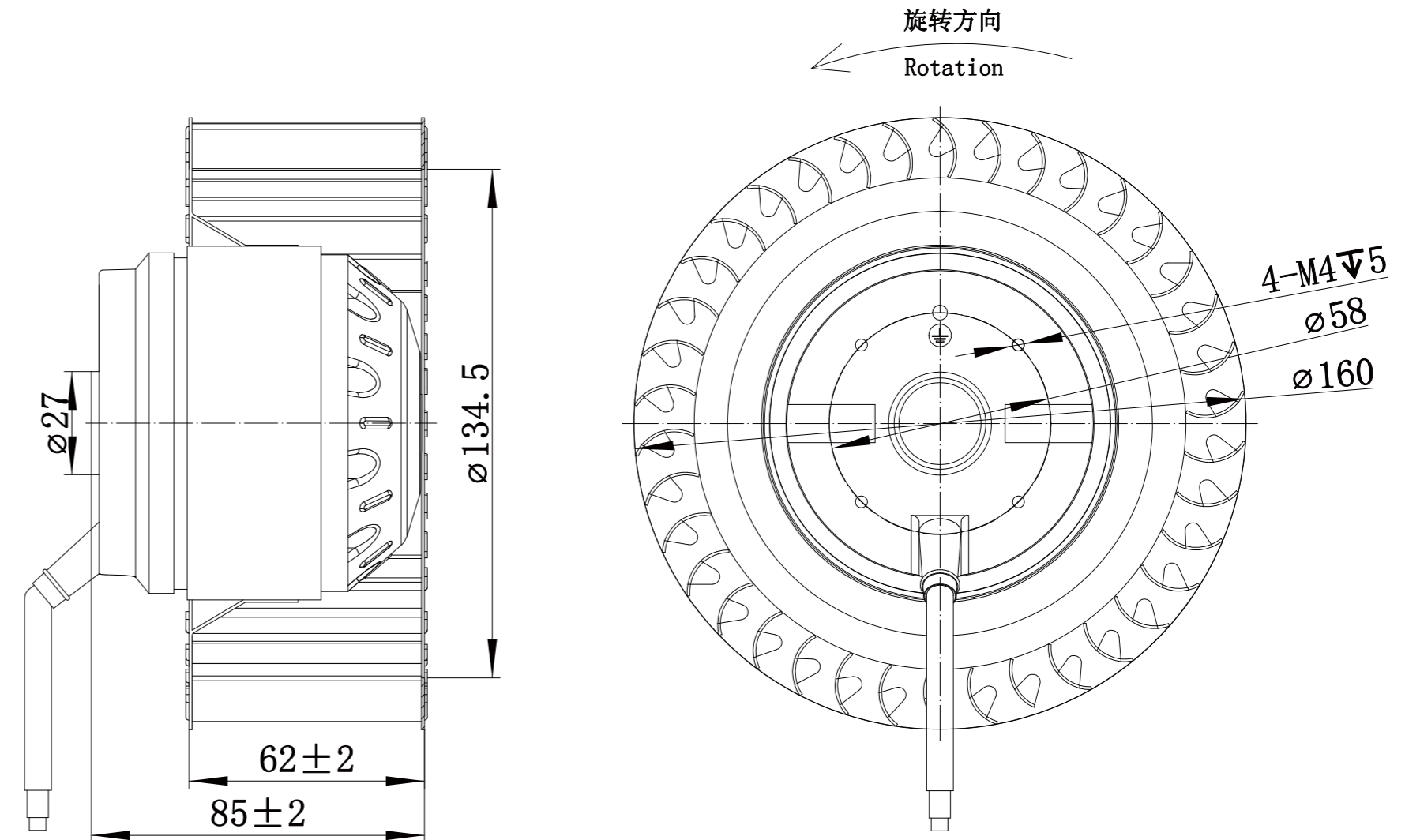


Technical Specifications

Model	Voltage (V)	Frequency (Hz)	Power (W)	Current (A)	Speed (RPM)	Air Flow (m³/h)	Air Pressure (Pa)	Noise [dB(A)]	Capacitor	Curve
LWFA2E160-092NS-01	230	50	230	1	1800	525	556	69	4uF	①
LWFA4E160-092NS-02	230	50	68	0.3	1400	412	155	58	2uF	②



Product Drawing (mm)



LWFA-180 Series

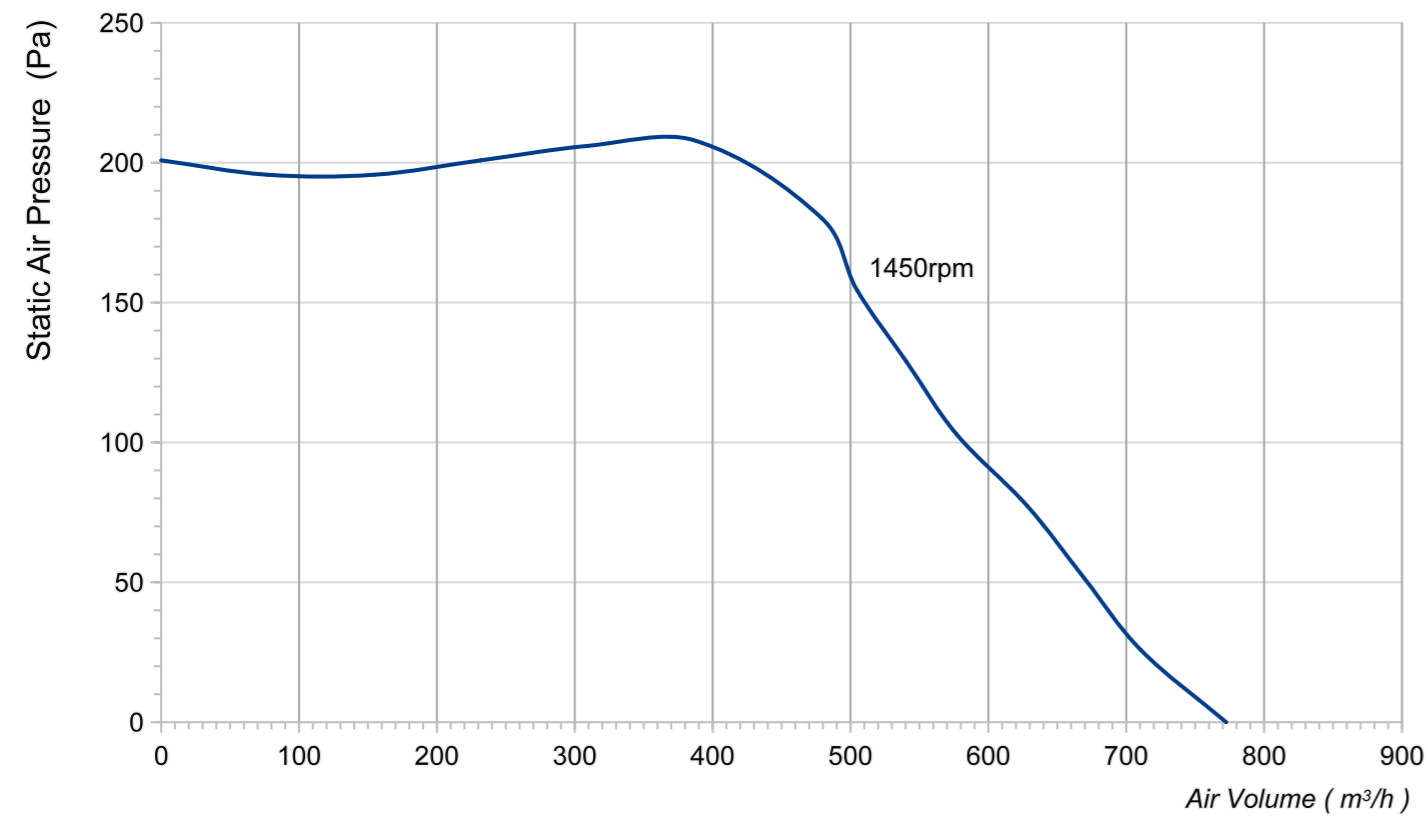
Product Characteristic

- Material : Galvanised sheet steel
- Mode of operation: S1
- Type of operation: IP54
- Insulation class: B
- Bearing: Maintenance-free ball bearings
- Operation Temperature: -30~+60 C

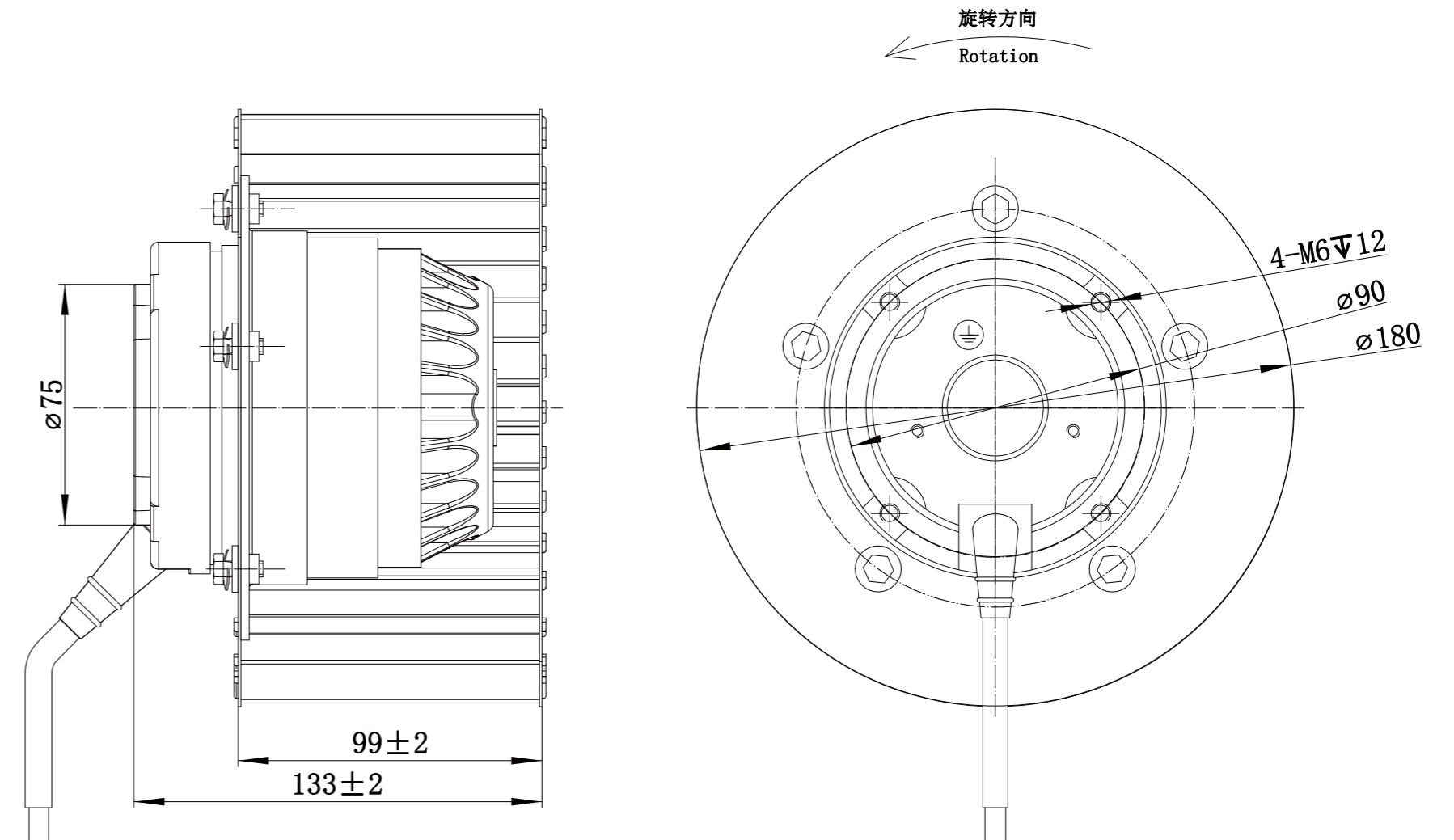


Technical Specifications

Model	Voltage (V)	Frequency (Hz)	Power (W)	Current (A)	Speed (RPM)	Air Flow (m³/h)	Air Pressure (Pa)	Noise [dB(A)]	Capacitor	Curve
LWFA4E180-092NS-01	230	50	85	0.52	1450	773	196	69	3uF	/



Product Drawing (mm)



LWFA-200 Series

Product Characteristic

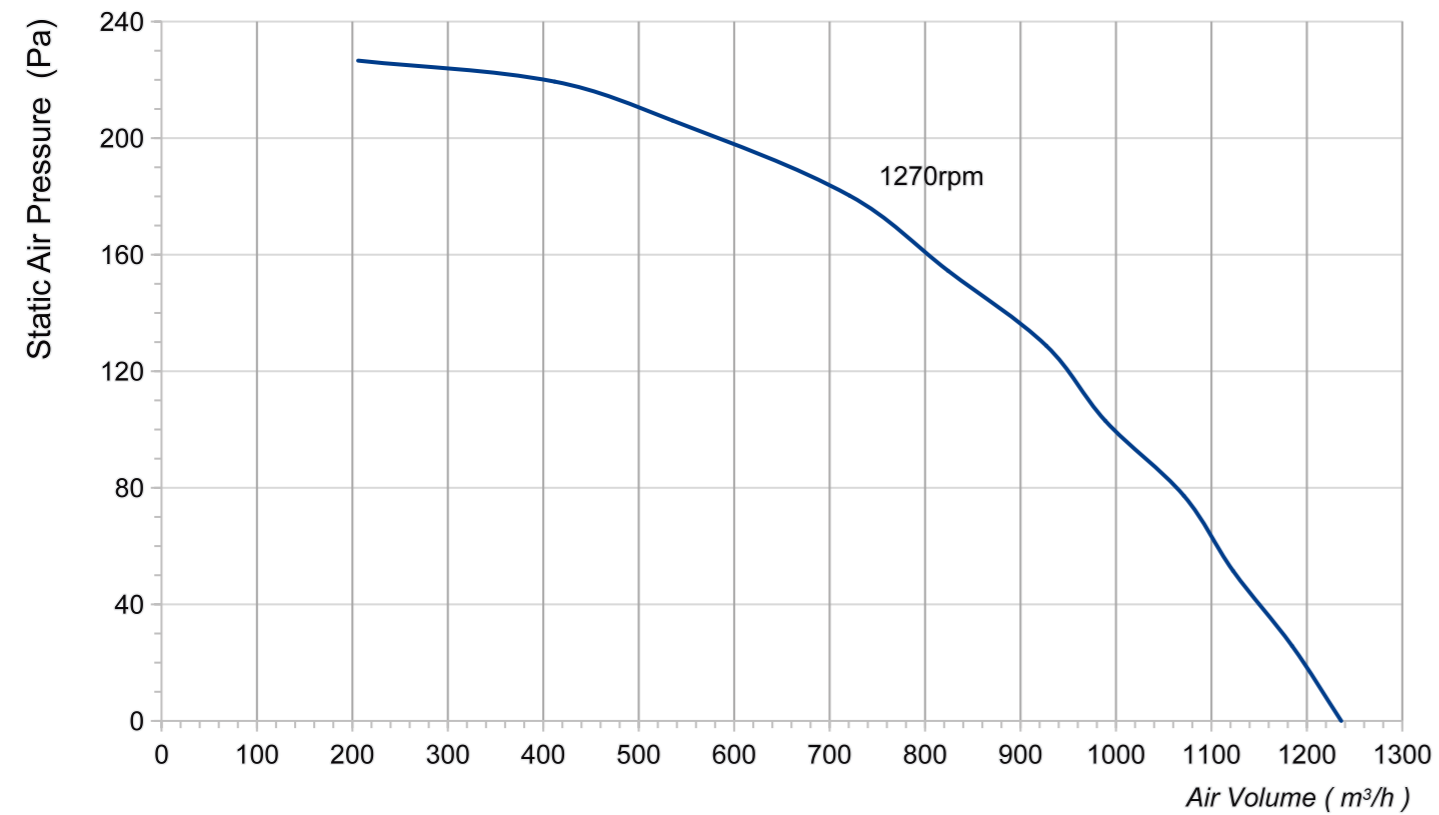
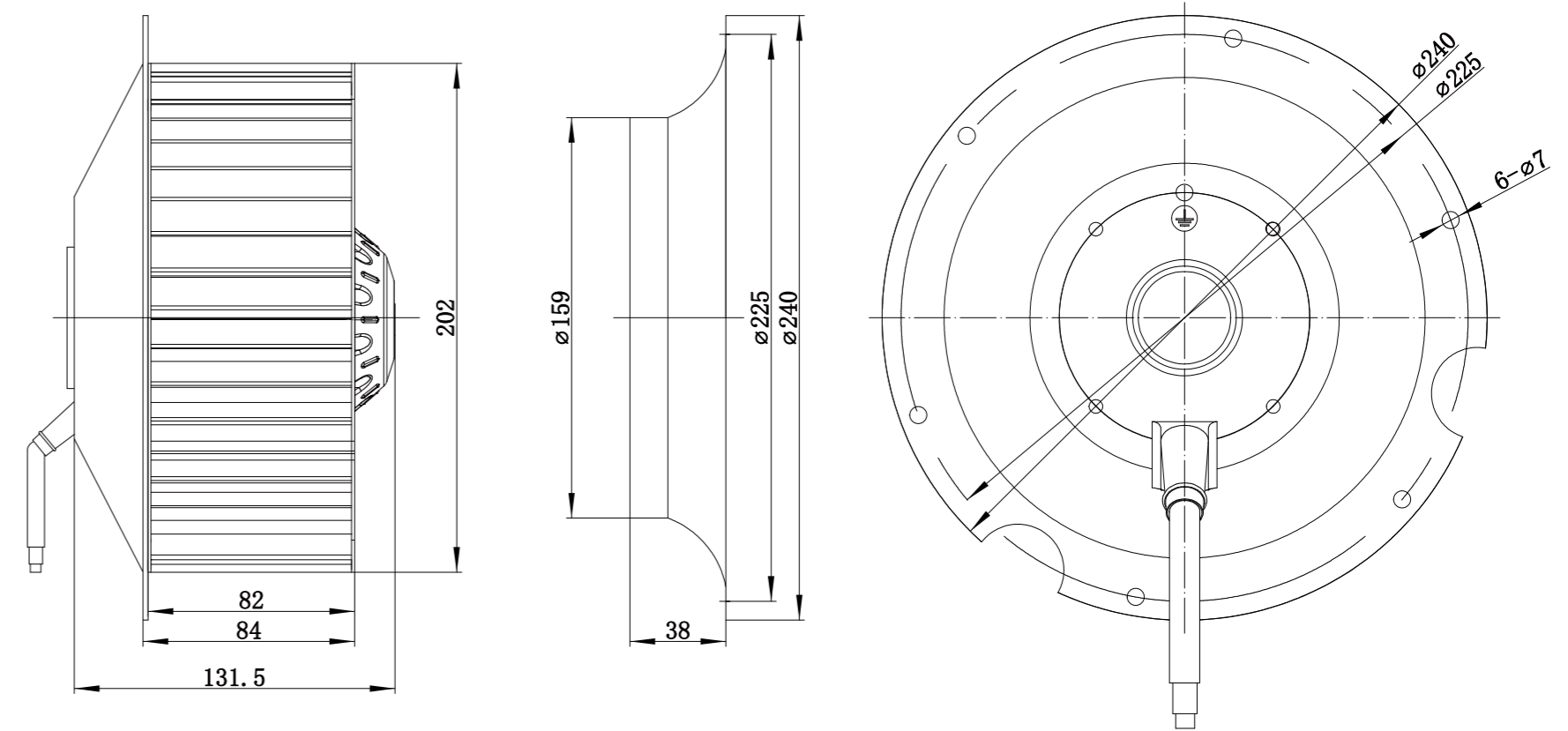
- Material : Galvanised sheet steel
- Mode of operation: S1
- Type of operation: IP54
- Insulation class: F
- Bearing: Maintenance-free ball bearings
- Operation Temperature: -30~+60 C



Technical Specifications

Model	Voltage (V)	Frequency (Hz)	Power (W)	Current (A)	Speed (RPM)	Air Flow (m³/h)	Air Pressure (Pa)	Noise [dB(A)]	Capacitor	Curve
LWFA4D200-102NT-01	380	50	330	0.63	1270	1236	227	59	/	/
LWFA4E200-102NS-02	230	50	330	1.52	1280	1236	227	59	8	/

Product Drawing (mm)



LWFA-225 Series

Product Characteristic

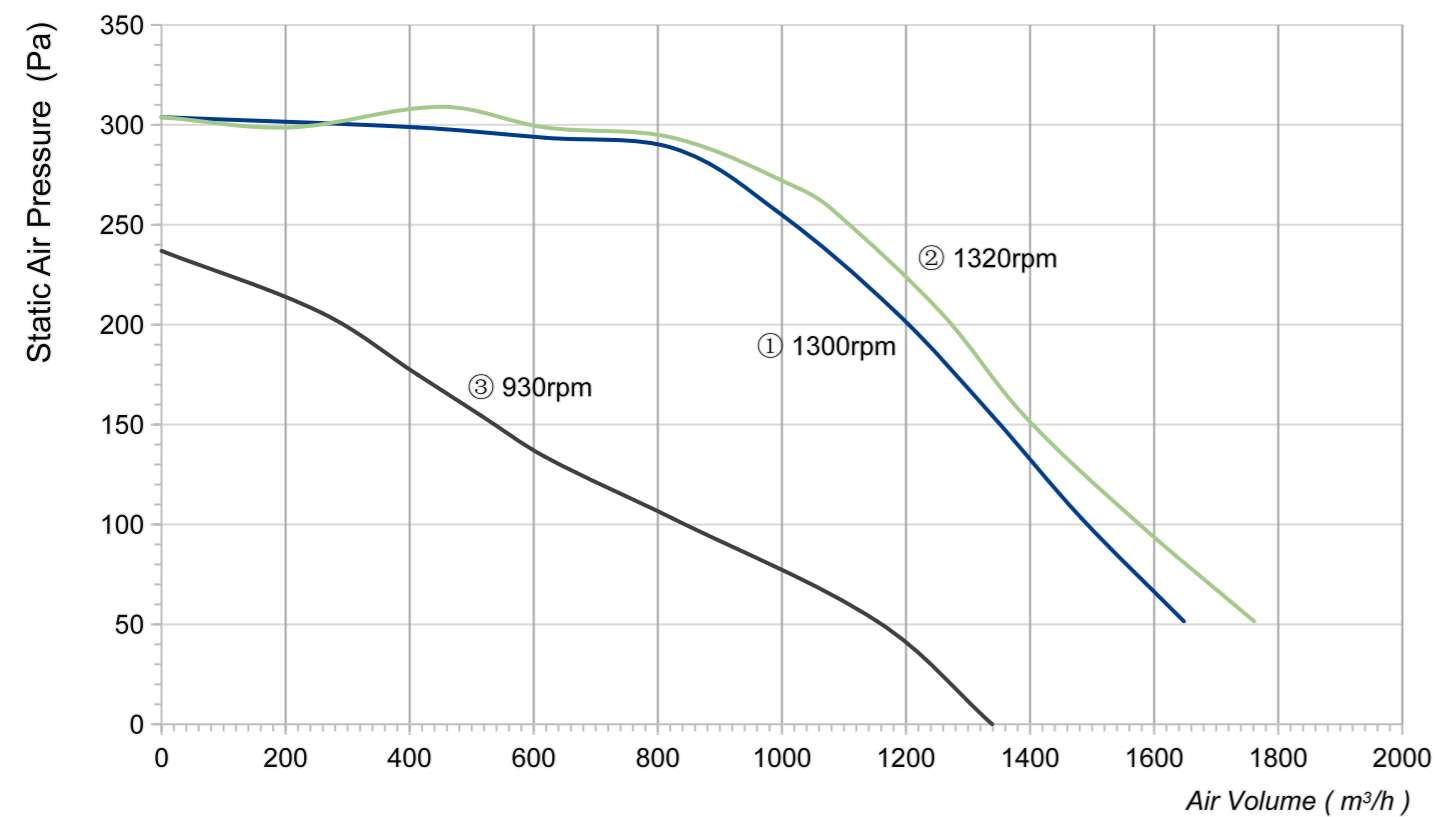
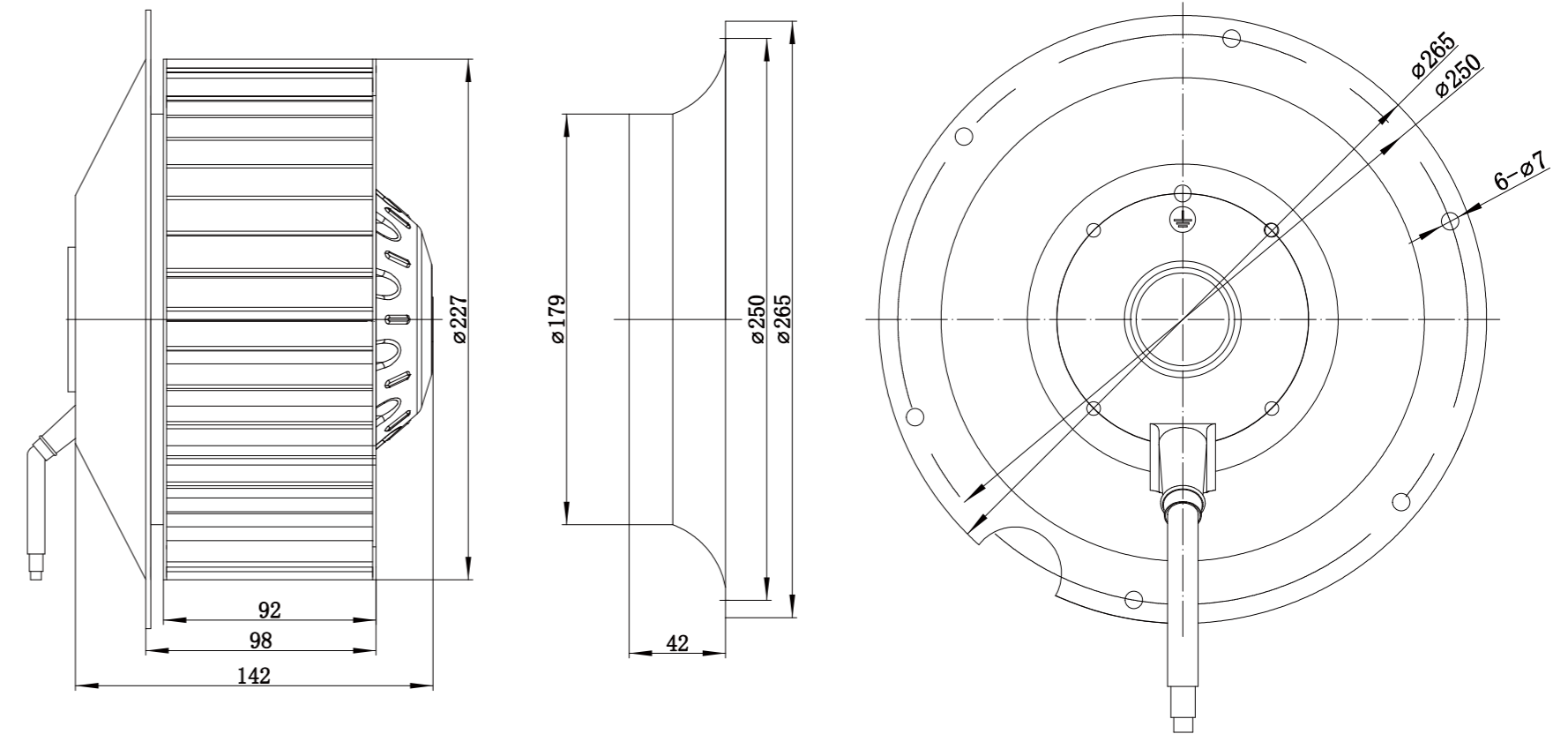
- Material : Galvanised sheet steel
- Mode of operation: S1
- Type of operation: IP54
- Insulation class: F
- Bearing: Maintenance-free ball bearings
- Operation Temperature: -30~+60 C



Technical Specifications

Model	Voltage (V)	Frequency (Hz)	Power (W)	Current (A)	Speed (RPM)	Air Flow (m³/h)	Air Pressure (Pa)	Noise [dB(A)]	Capacitor	Curve
LWFA4D225-138NT-01	380	50	490	0.82	1300	1648	288	65	/	①
LWFA4E225-138NS-02	230	50	510	2.3	1320	1761	288	65	15	②
LWFA6D225-138NT-03	380	50	300	0.81	930	1339	237	59	/	③

Product Drawing (mm)



LWFA-250 Series

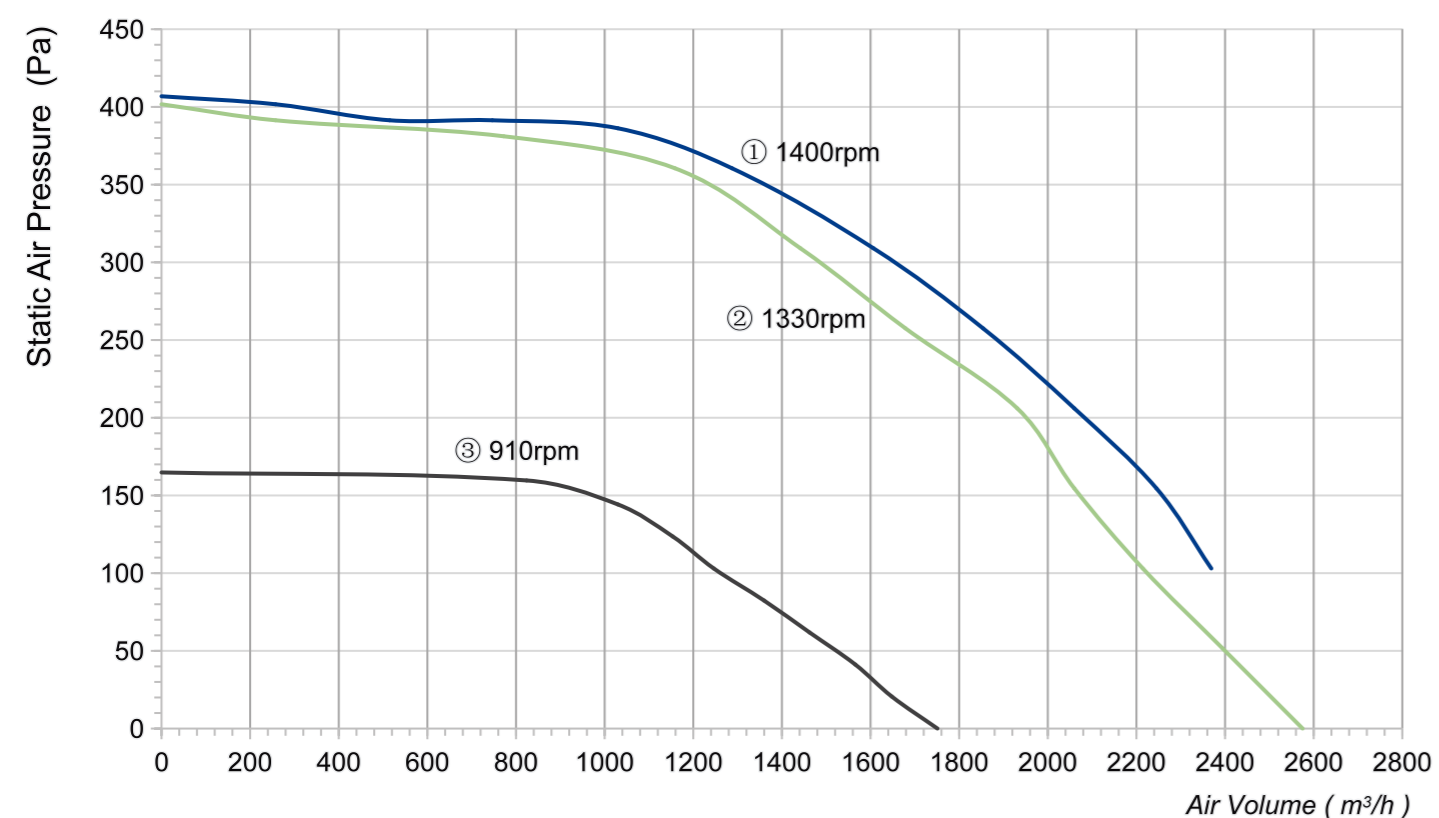
Product Characteristic

- Material : Galvanised sheet steel
- Mode of operation: S1
- Type of operation: IP54
- Insulation class: F
- Bearing: Maintenance-free ball bearings
- Operation Temperature: -30~+60 C

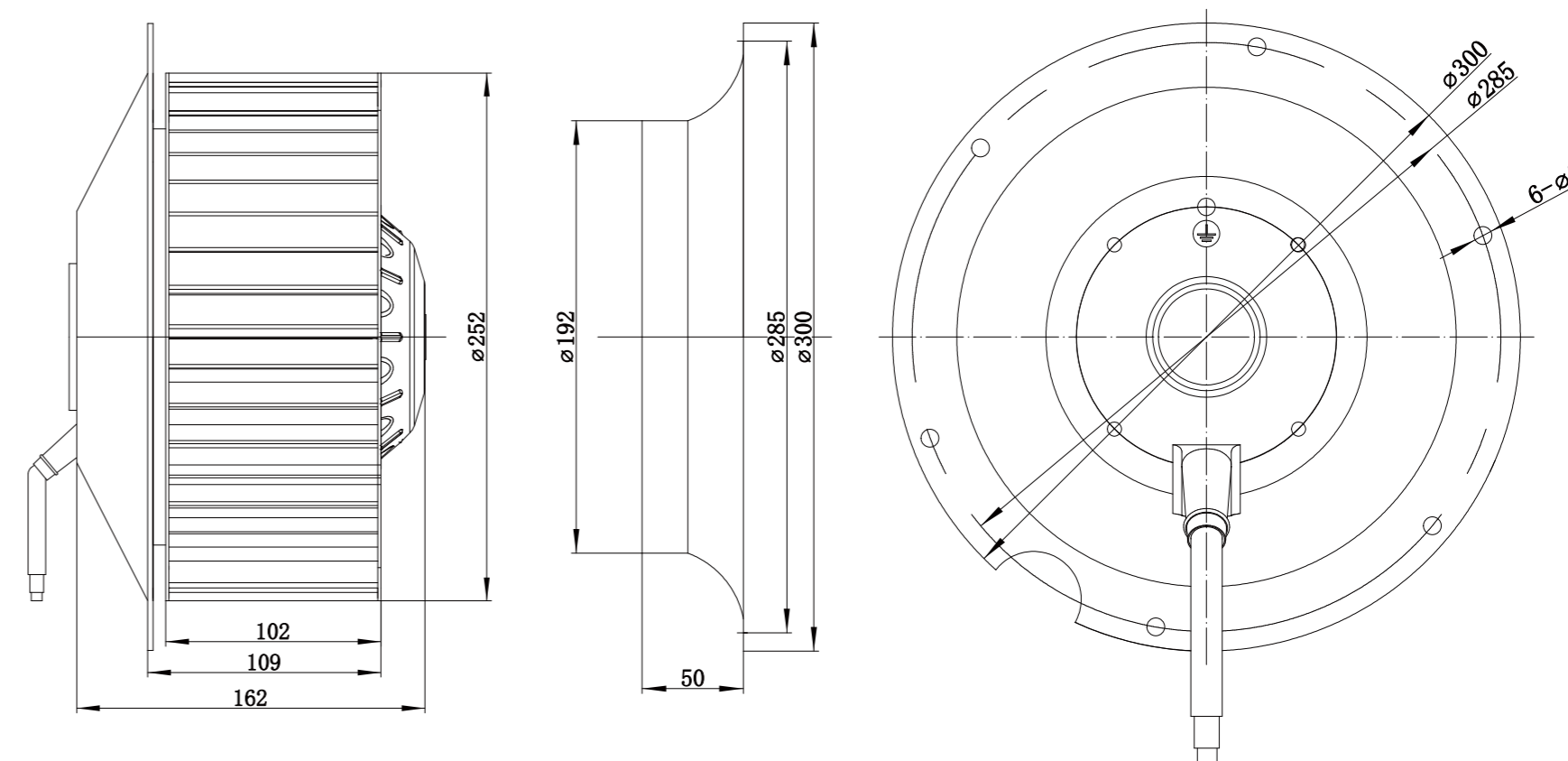


Technical Specifications

Model	Voltage (V)	Frequency (Hz)	Power (W)	Current (A)	Speed (RPM)	Air Flow (m³/h)	Air Pressure (Pa)	Noise [dB(A)]	Capacitor	Curve
LWFA4D250-138NT-01	380	50	870	1.8	1400	2369	407	72	/	①
LWFA4E250-138NS-02	220	50	900	4.1	1330	2575	402	72	25	②
LWFA6D250-102NT-03	380	50	320	0.81	910	1751	165	62	/	③
LWFA6E250-102NS-04	220	50	320	1.6	900	1751	165	62	10	③



Product Drawing (mm)



LWFA-280 Series

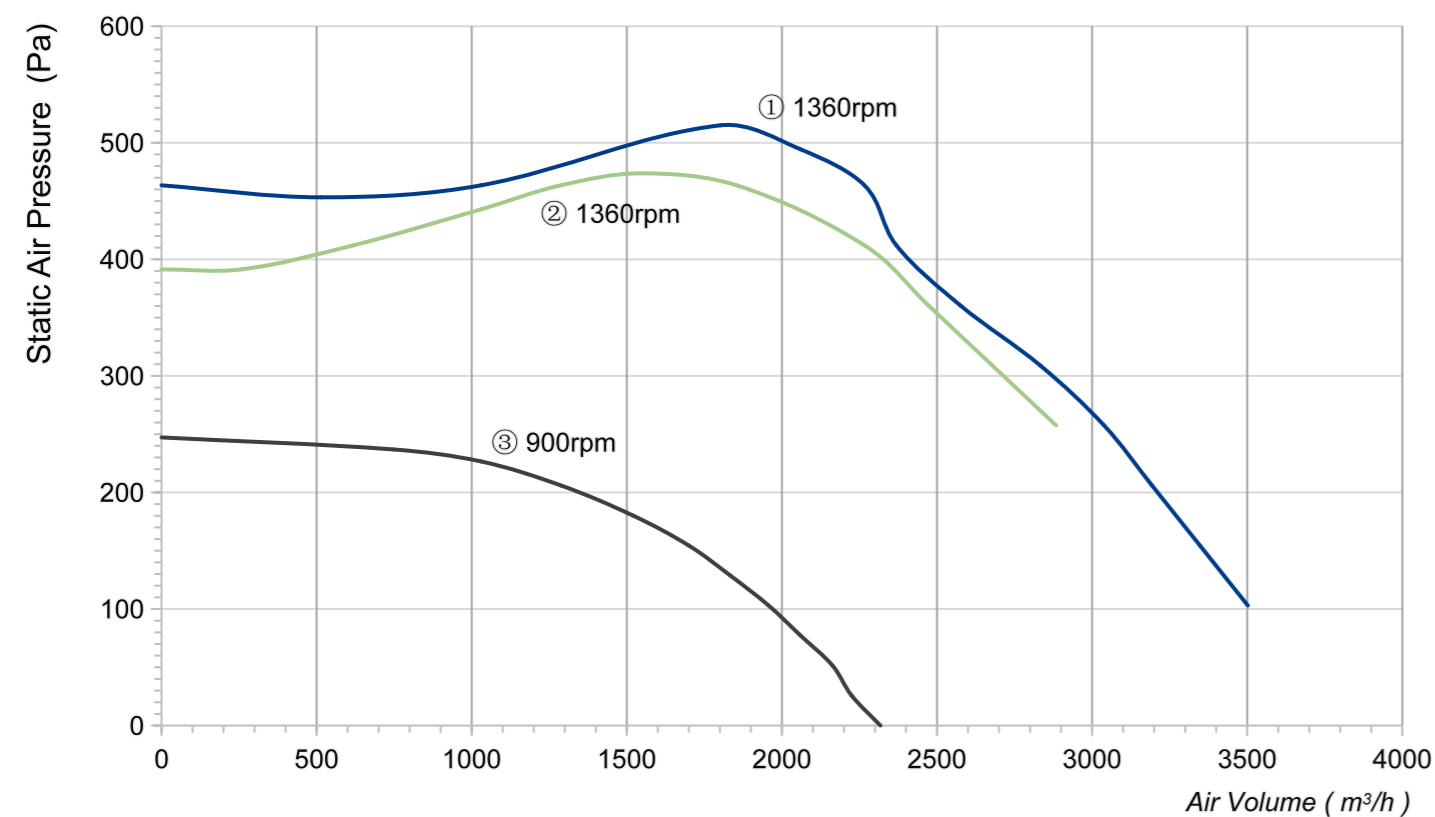
Product Characteristic

- Material : Galvanised sheet steel
- Mode of operation: S1
- Type of operation: IP54
- Insulation class: F
- Bearing: Maintenance-free ball bearings
- Operation Temperature: -30~+60 C

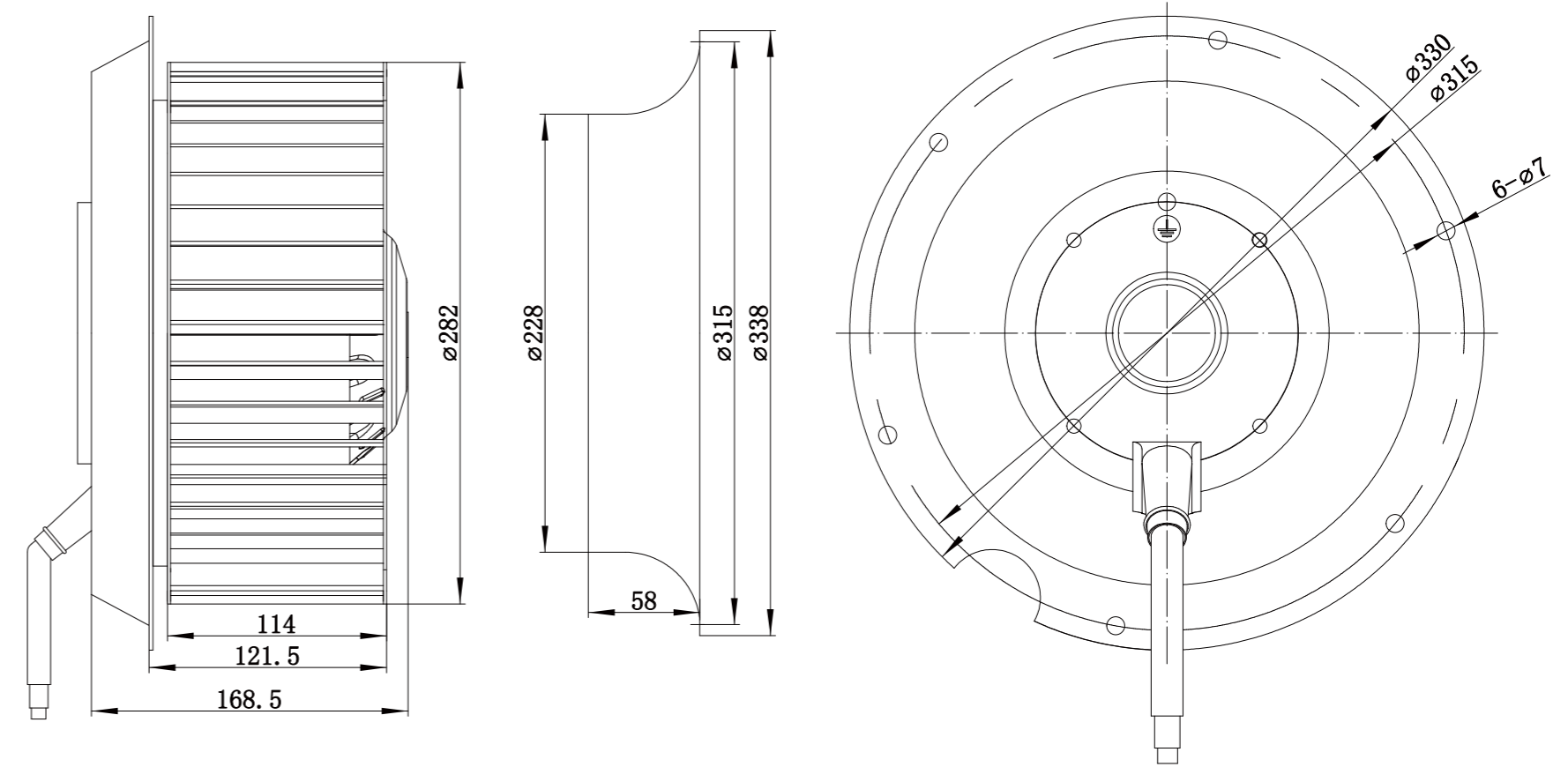


Technical Specifications

Model	Voltage (V)	Frequency (Hz)	Power (W)	Current (A)	Speed (RPM)	Air Flow (m³/h)	Air Pressure (Pa)	Noise [dB(A)]	Capacitor	Curve
LWFA4D280-188NT-01	380	50	1700	3.2	1360	3502	464	77	/	①
LWFA4E280-188NS-02	220	50	1600	7.3	1360	2884	391	77	30	②
LWFA6D280-138NT-03	380	50	450	0.88	900	2318	247	65	/	③
LWFA6E280-138NS-04	220	50	450	2.5	900	2318	247	65	15	③



Product Drawing (mm)



LWFA-315 Series

Product Characteristic

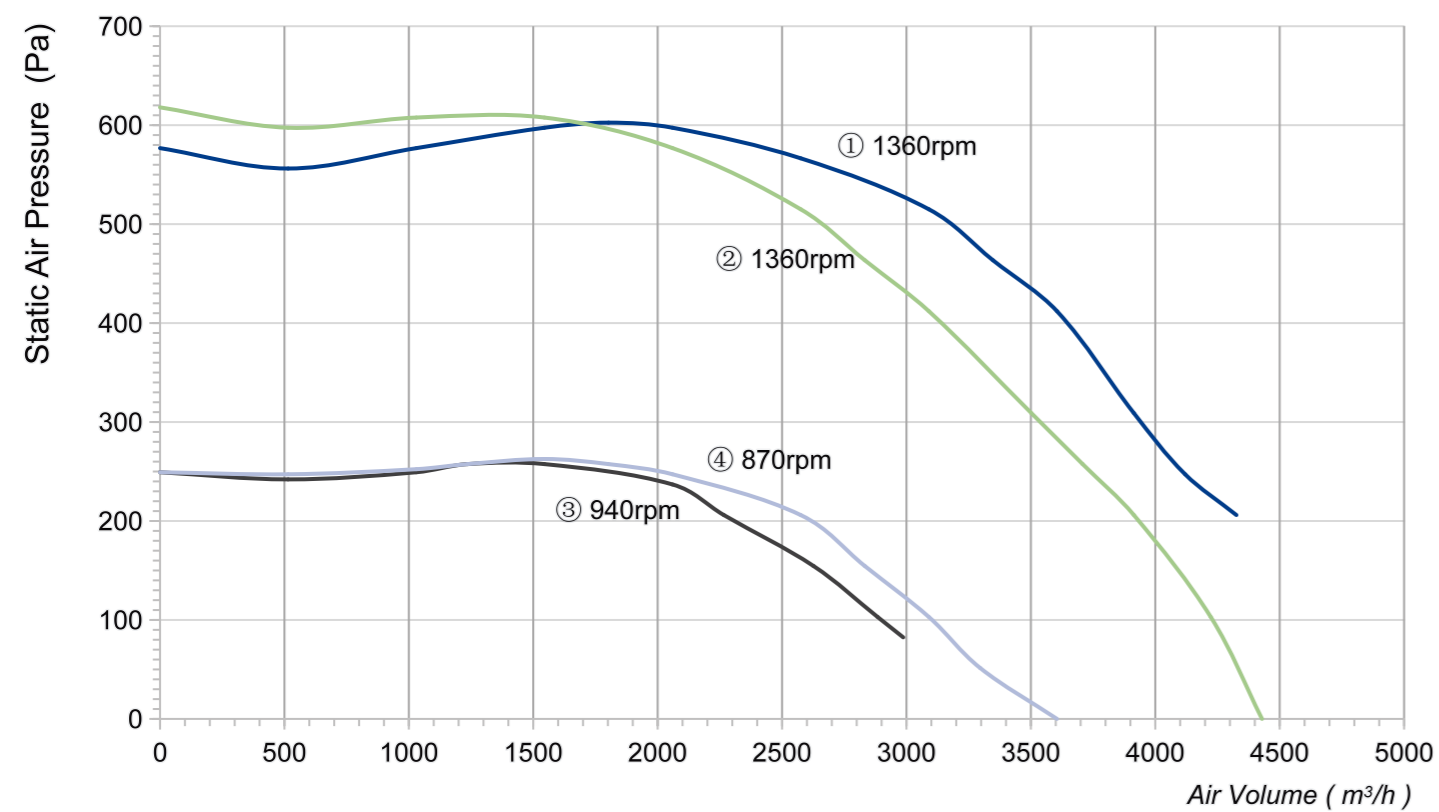
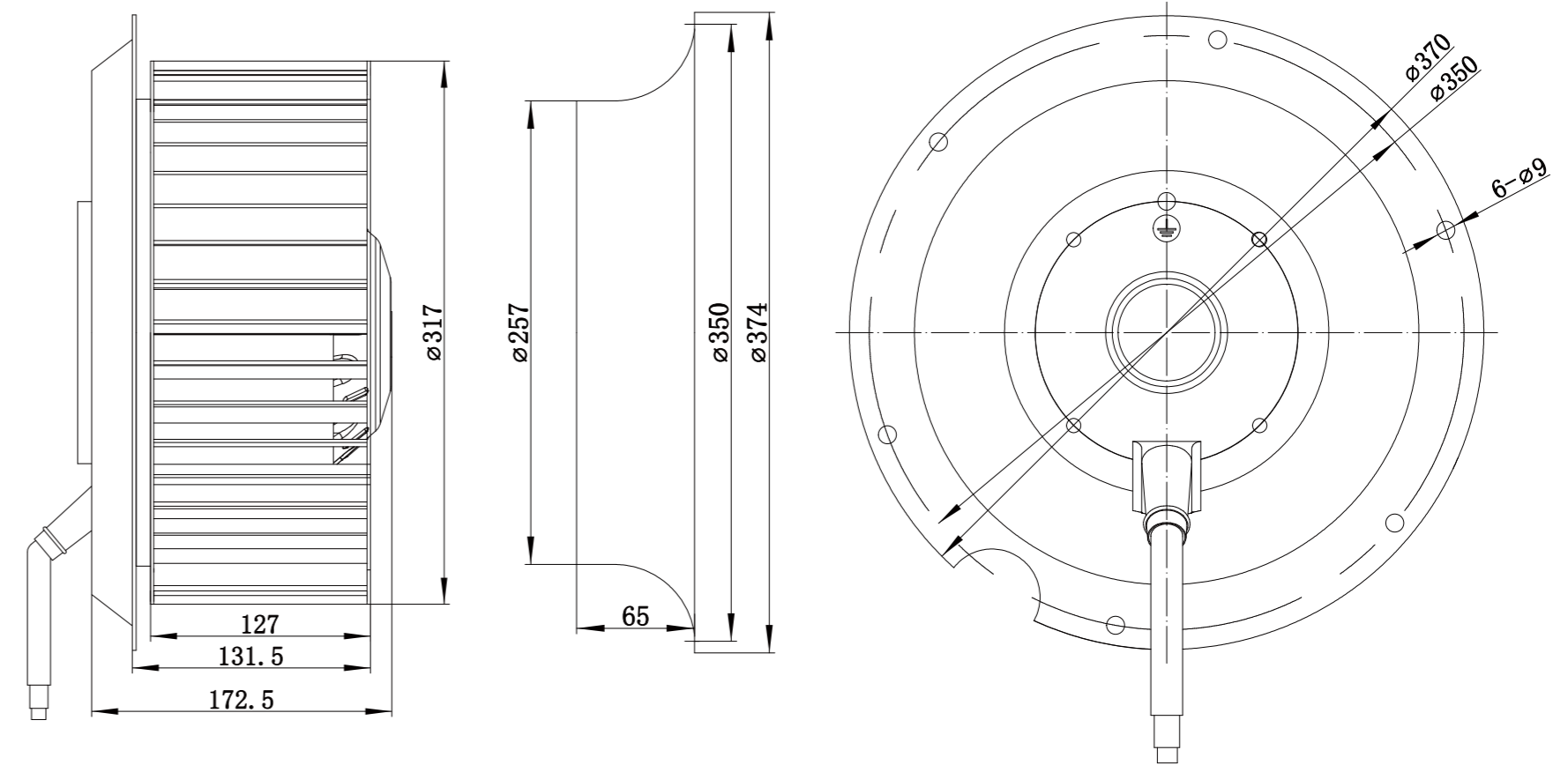
- Material : Galvanised sheet steel
- Mode of operation: S1
- Type of operation: IP54
- Insulation class: F
- Bearing: Maintenance-free ball bearings
- Operation Temperature: -30~+60 C



Technical Specifications

Model	Voltage (V)	Frequency (Hz)	Power (W)	Current (A)	Speed (RPM)	Air Flow (m³/h)	Air Pressure (Pa)	Noise [dB(A)]	Capacitor	Curve
LWFA4D315-188NT-01	380	50	2200	4	1360	4326	577	80	/	①
LWFA4E315-188NS-02	220	50	2300	7.3	1360	4429	618	80	30	②
LWFA6D315-138NT-03	380	50	780	1.5	940	2987	249	68	/	③
LWFA6E315-138NS-04	220	50	720	3.6	870	3605	249	68	20	④

Product Drawing (mm)



LWFA-355 Series

Product Characteristic

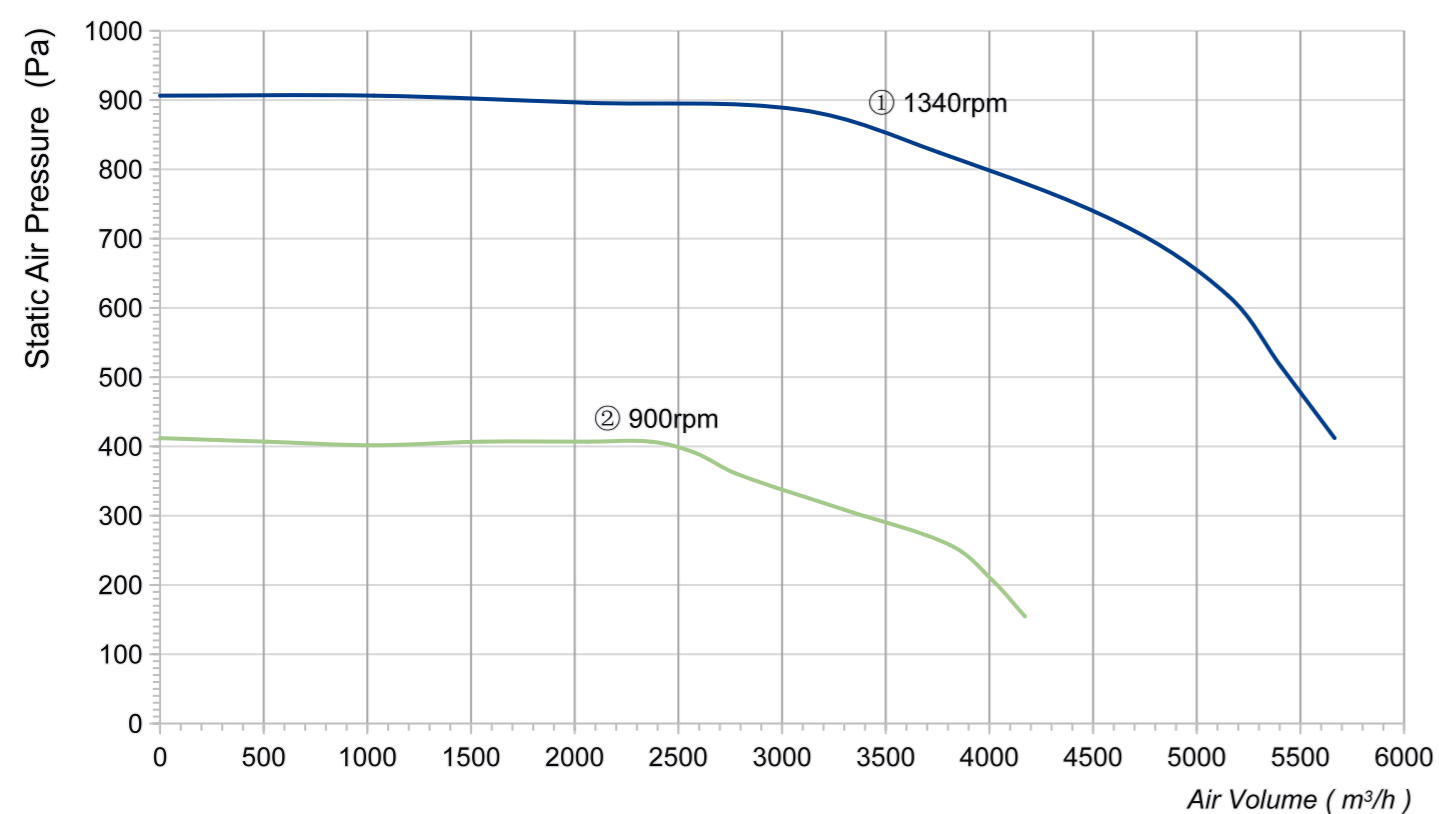
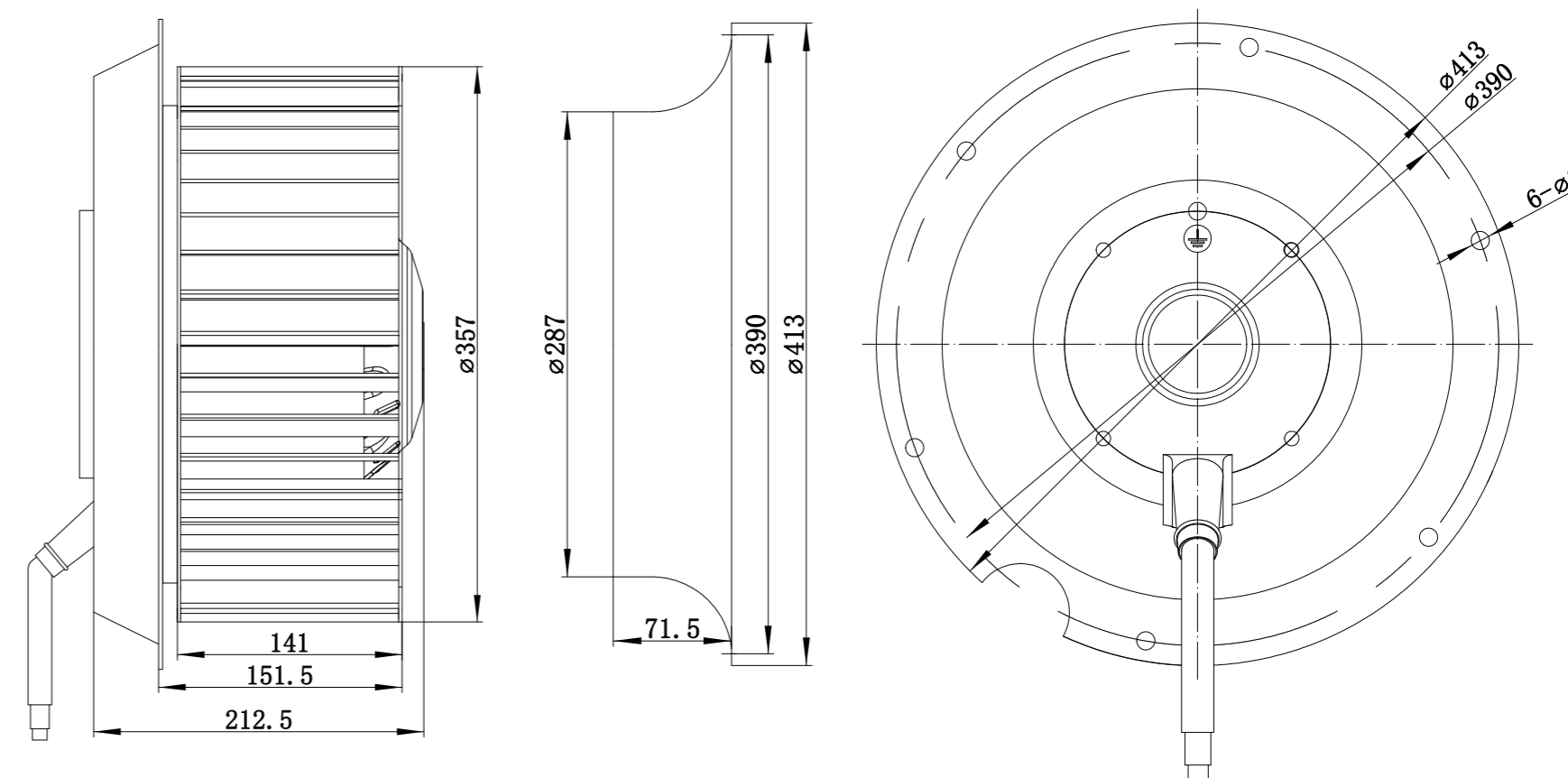
- Material : Galvanised sheet steel
- Mode of operation: S1
- Type of operation: IP54
- Insulation class: F
- Bearing: Maintenance-free ball bearings
- Operation Temperature: -30~+60 C



Technical Specifications

Model	Voltage (V)	Frequency (Hz)	Power (W)	Current (A)	Speed (RPM)	Air Flow (m³/h)	Air Pressure (Pa)	Noise [dB(A)]	Capacitor	Curve
LWFA4D355-188NT-01	380	50	3500	5.9	1340	5665	906	80	/	①
LWFA6D355-188NT-02	380	50	1150	2.3	900	4172	412	70	/	②

Product Drawing (mm)



LWFA-400 Series

Product Characteristic

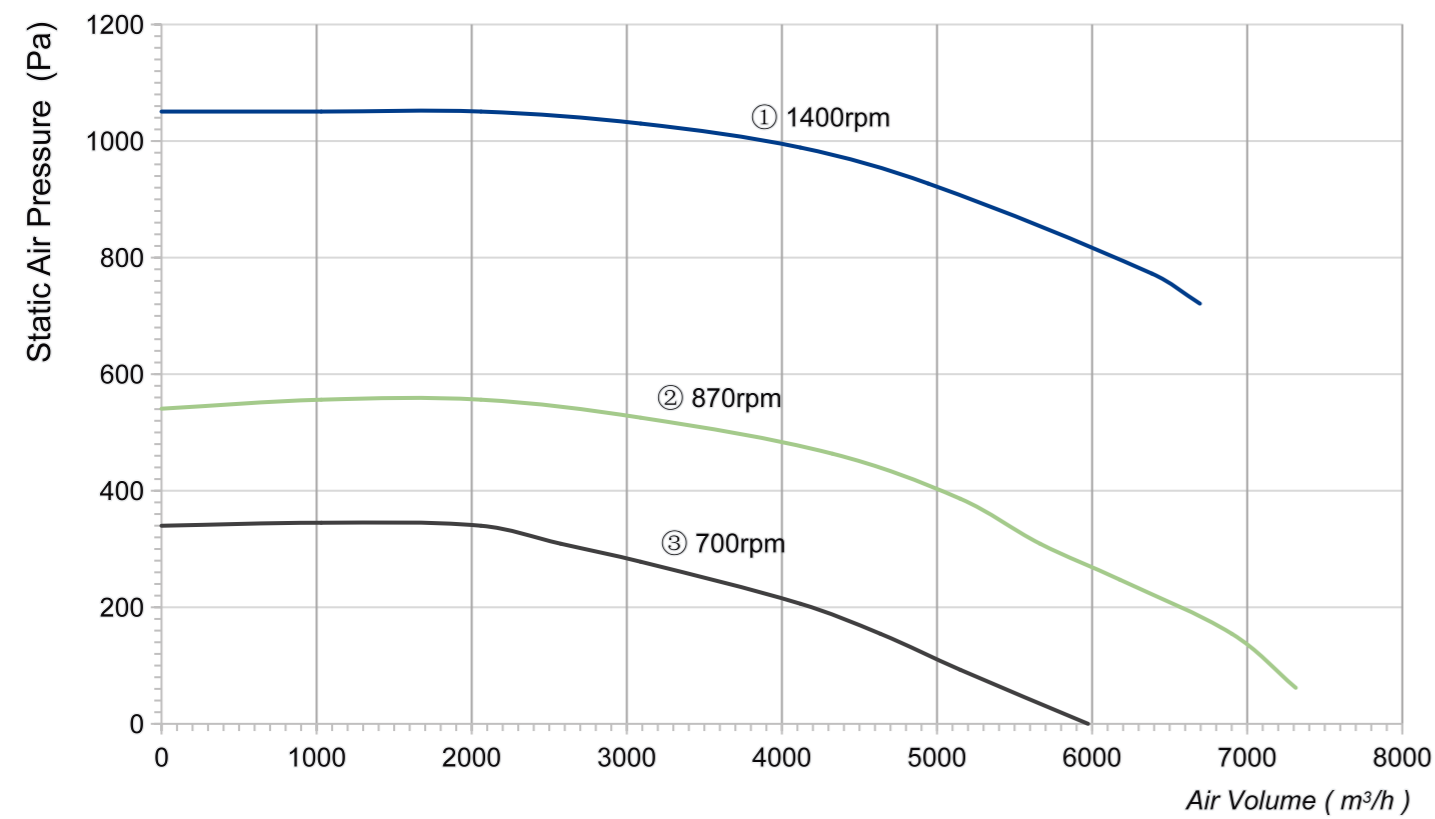
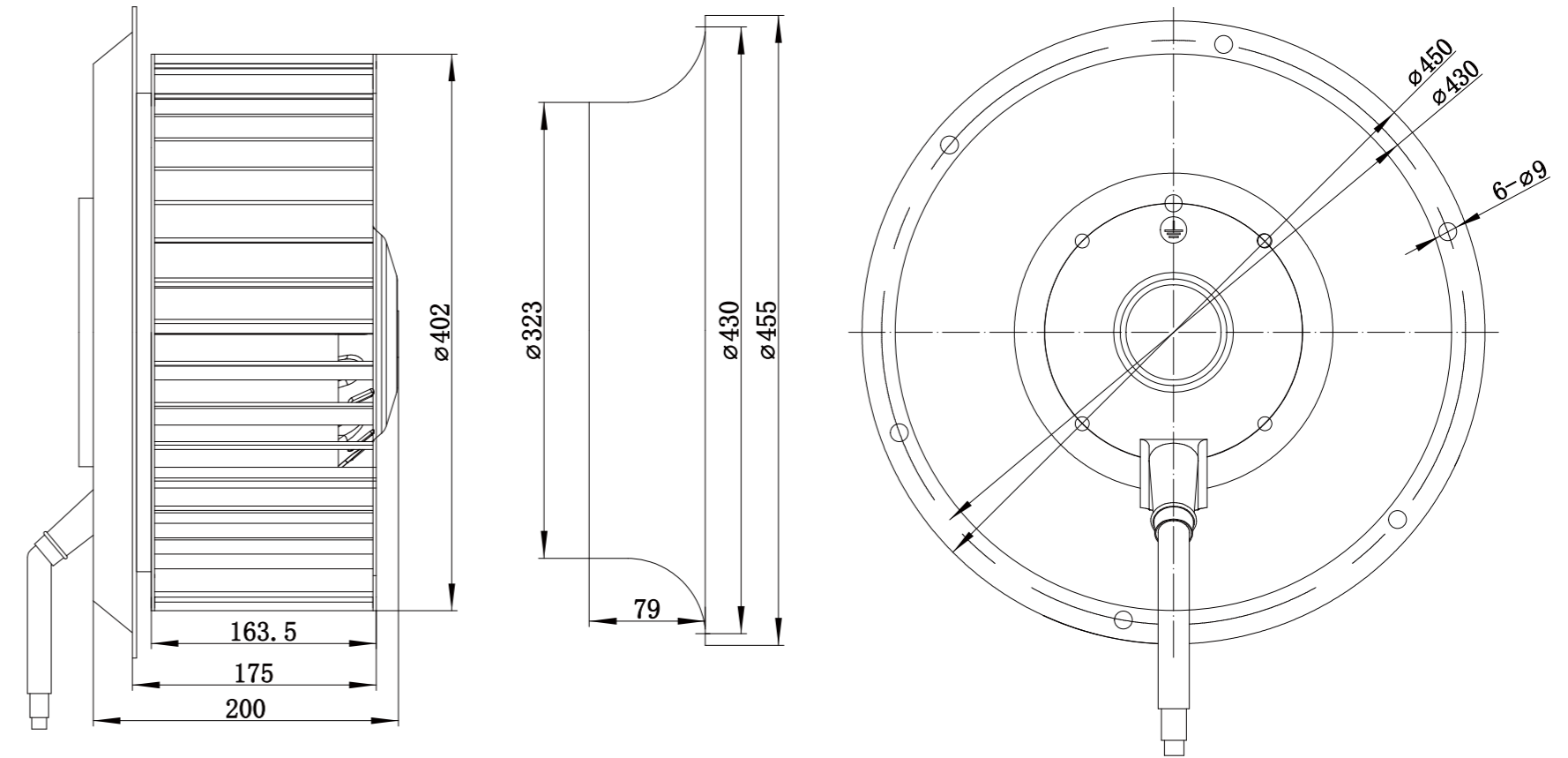
- Material : Galvanised sheet steel
- Mode of operation: S1
- Type of operation: IP54
- Insulation class: F
- Bearing: Maintenance-free ball bearings
- Operation Temperature: -30~+60 C



Technical Specifications

Model	Voltage (V)	Frequency (Hz)	Power (W)	Current (A)	Speed (RPM)	Air Flow (m³/h)	Air Pressure (Pa)	Noise [dB(A)]	Capacitor	Curve
LWFA4D400-188NT-01	380	50	4800	8	1400	6695	1030	82	/	①
LWFA6D400-188NT-02	380	50	2800	4.8	870	7313	541	74	/	②
LWFA8D400-188NT-03	380	50	1700	3.7	700	5974	345	65	/	③

Product Drawing (mm)



LWFA-450 Series

Product Characteristic

- Material : Galvanised sheet steel
- Mode of operation: S1
- Type of operation: IP54
- Insulation class: F
- Bearing: Maintenance-free ball bearings
- Operation Temperature: -30~+60 C



Technical Specifications

Model	Voltage (V)	Frequency (Hz)	Power (W)	Current (A)	Speed (RPM)	Air Flow (m³/h)	Air Pressure (Pa)	Noise [dB(A)]	Capacitor	Curve
LWFA6D450-188NT-01	380	50	3500	5.9	930	7725	639	74	/	①
LWFA8D450-188NT-02	380	50	2000	4.1	680	7416	371	68	/	②

Product Drawing (mm)

