

DC Dual Inlet Forward Centrifugal Fans



LWFD-133 Series

Product Characteristic

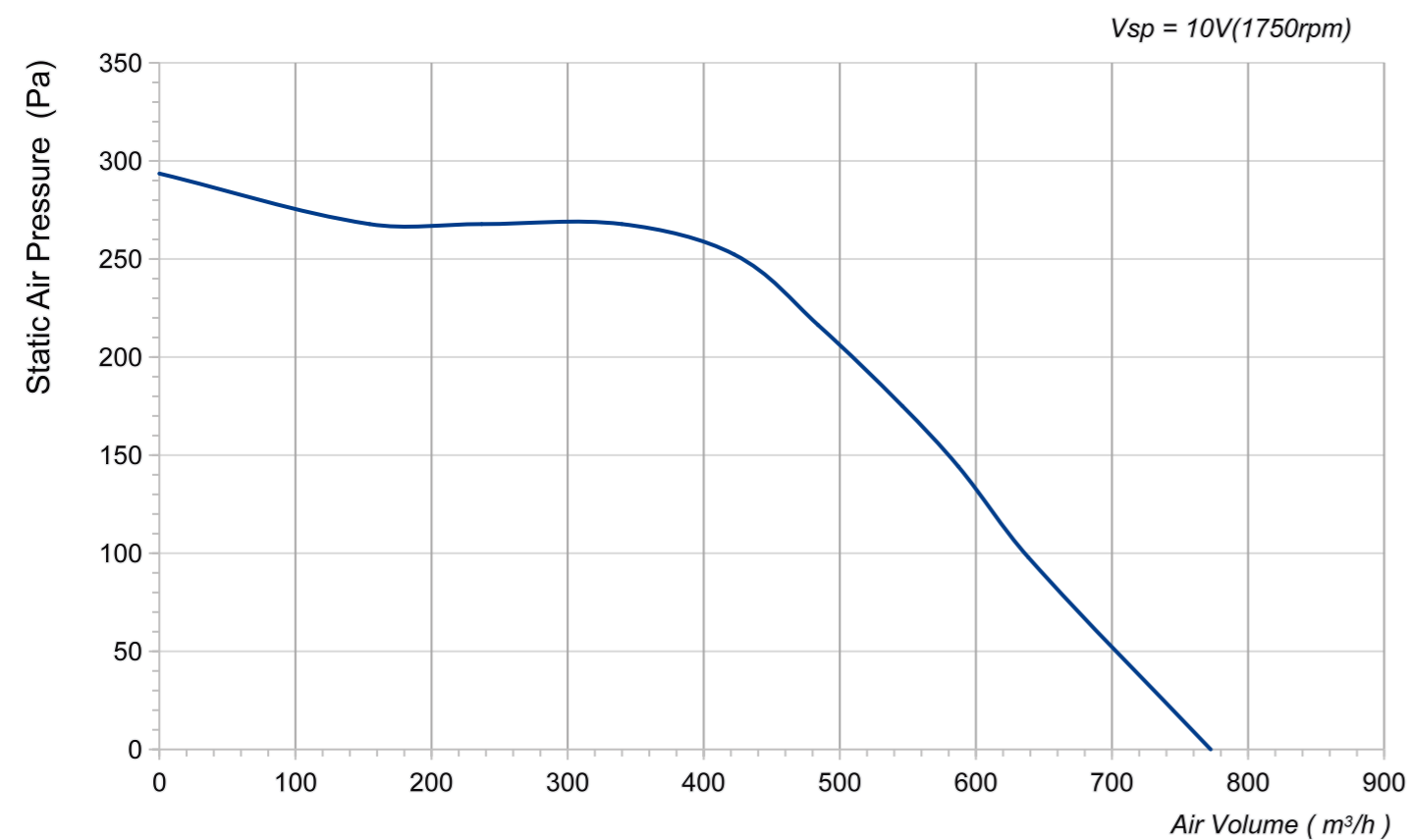
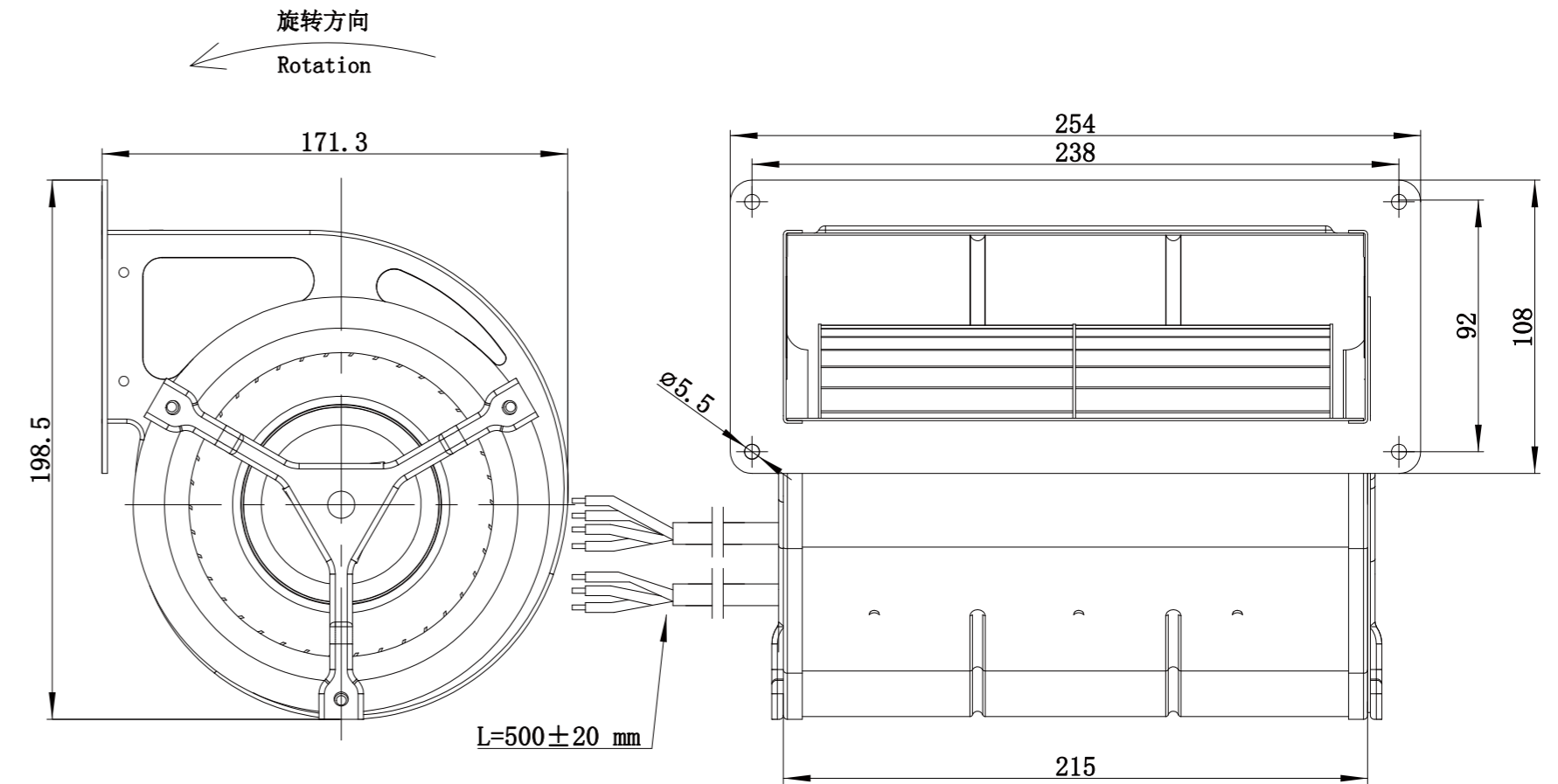
- Material : Galvanised sheet steel
- Mode of operation: S1
- Type of operation: IP54
- Insulation class: F
- Bearing: Maintenance-free ball bearings
- Operation Temperature: -30~+60 C



Technical Specifications

Model	Voltage (V)	Power (W)	Current (A)	Speed (RPM)	Air Flow (m³/h)	Air Pressure (Pa)	Noise [dB(A)]	Curve
LWFD3G133-092DM-01	24	110	4.6	1750	773	294	66	/

Product Drawing (mm)



LWFD-133 Series

Product Characteristic

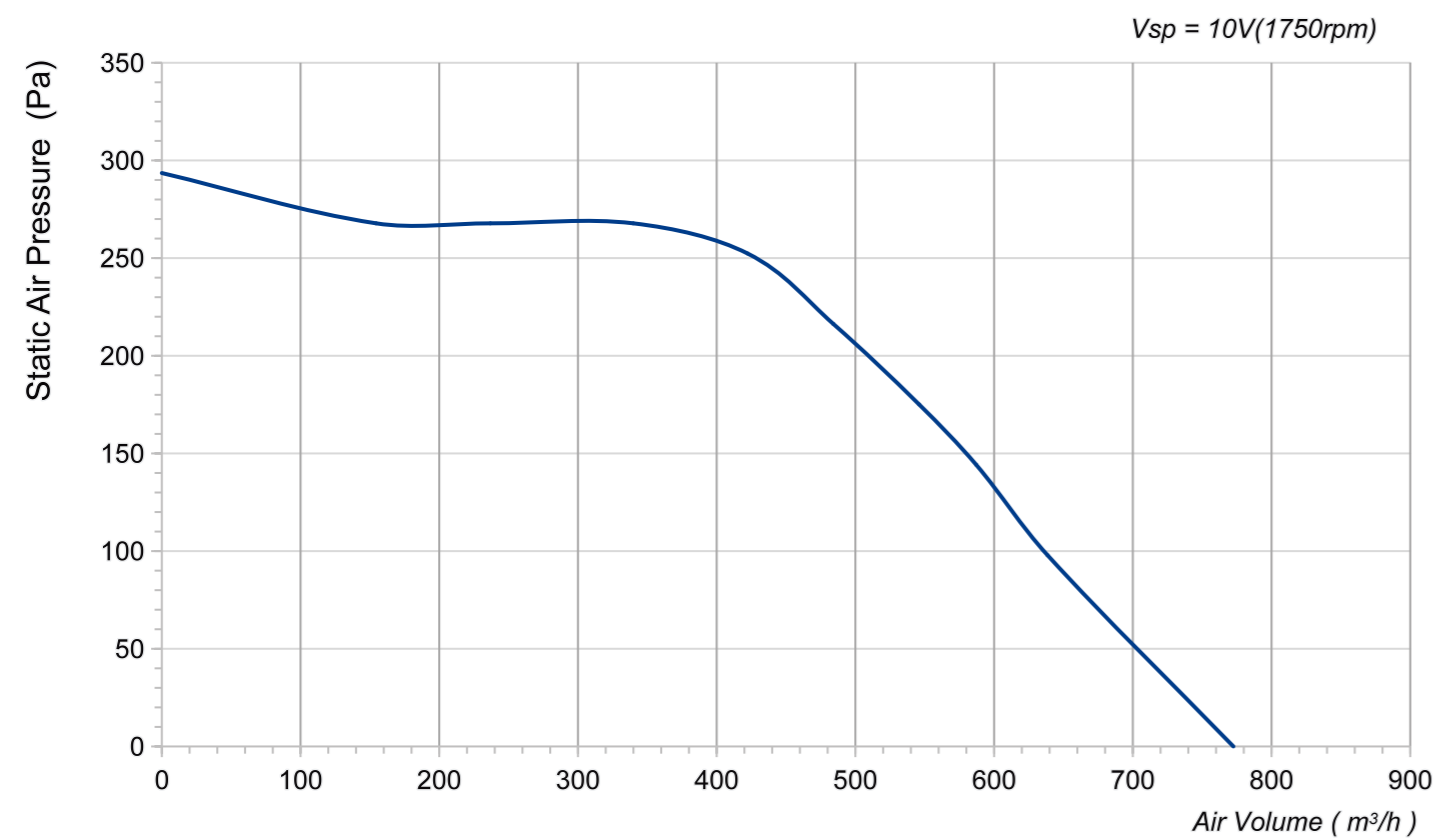
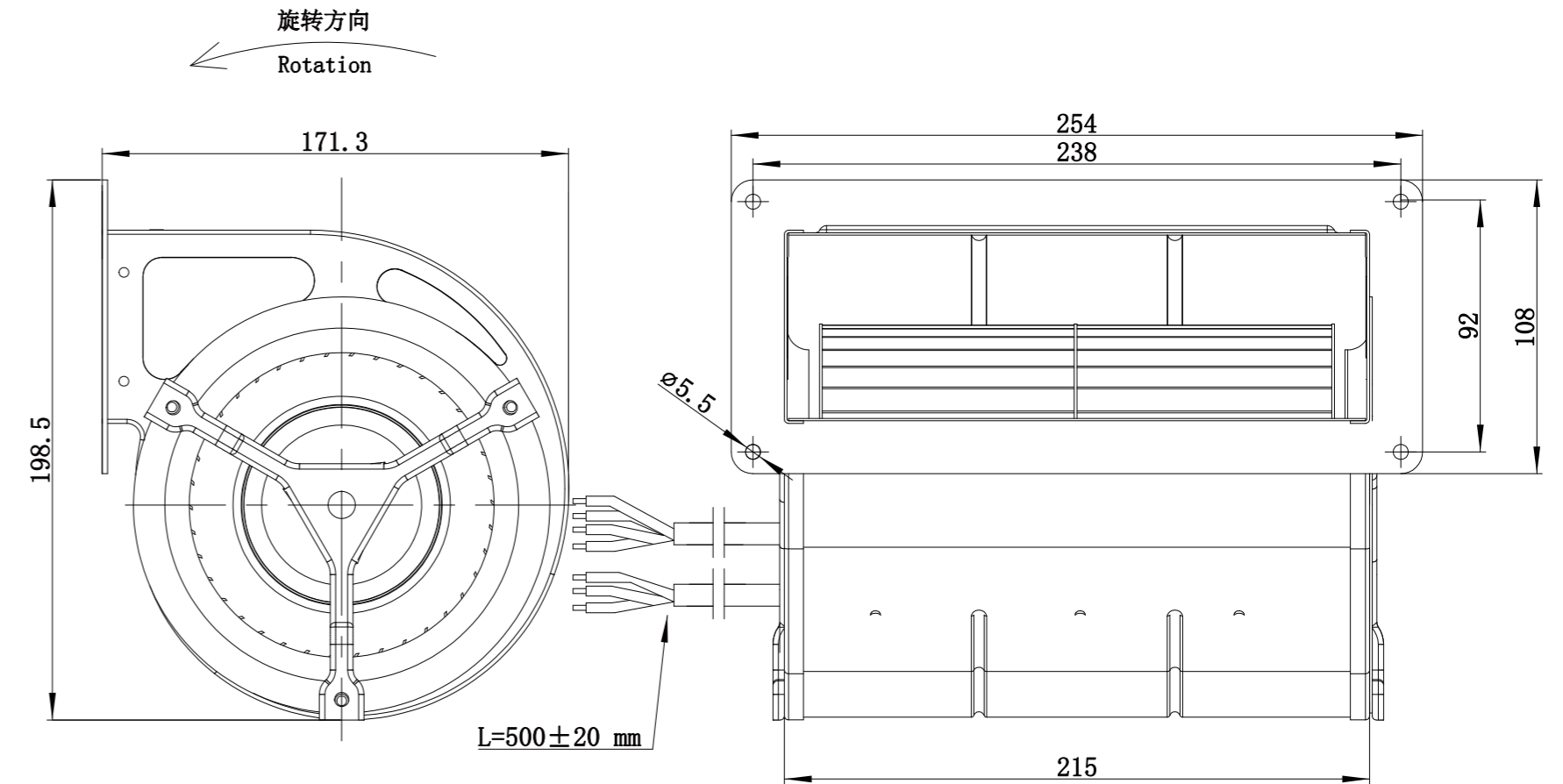
- Material : Galvanised sheet steel
- Mode of operation: S1
- Type of operation: IP54
- Insulation class: F
- Bearing: Maintenance-free ball bearings
- Operation Temperature: -30~+60 C



Technical Specifications

Model	Voltage (V)	Power (W)	Current (A)	Speed (RPM)	Air Flow (m³/h)	Air Pressure (Pa)	Noise [dB(A)]	Curve
LWFD3G133-092DH-01	48	110	2.3	1750	773	294	66	/

Product Drawing (mm)



LWFD-133 Series

Product Characteristic

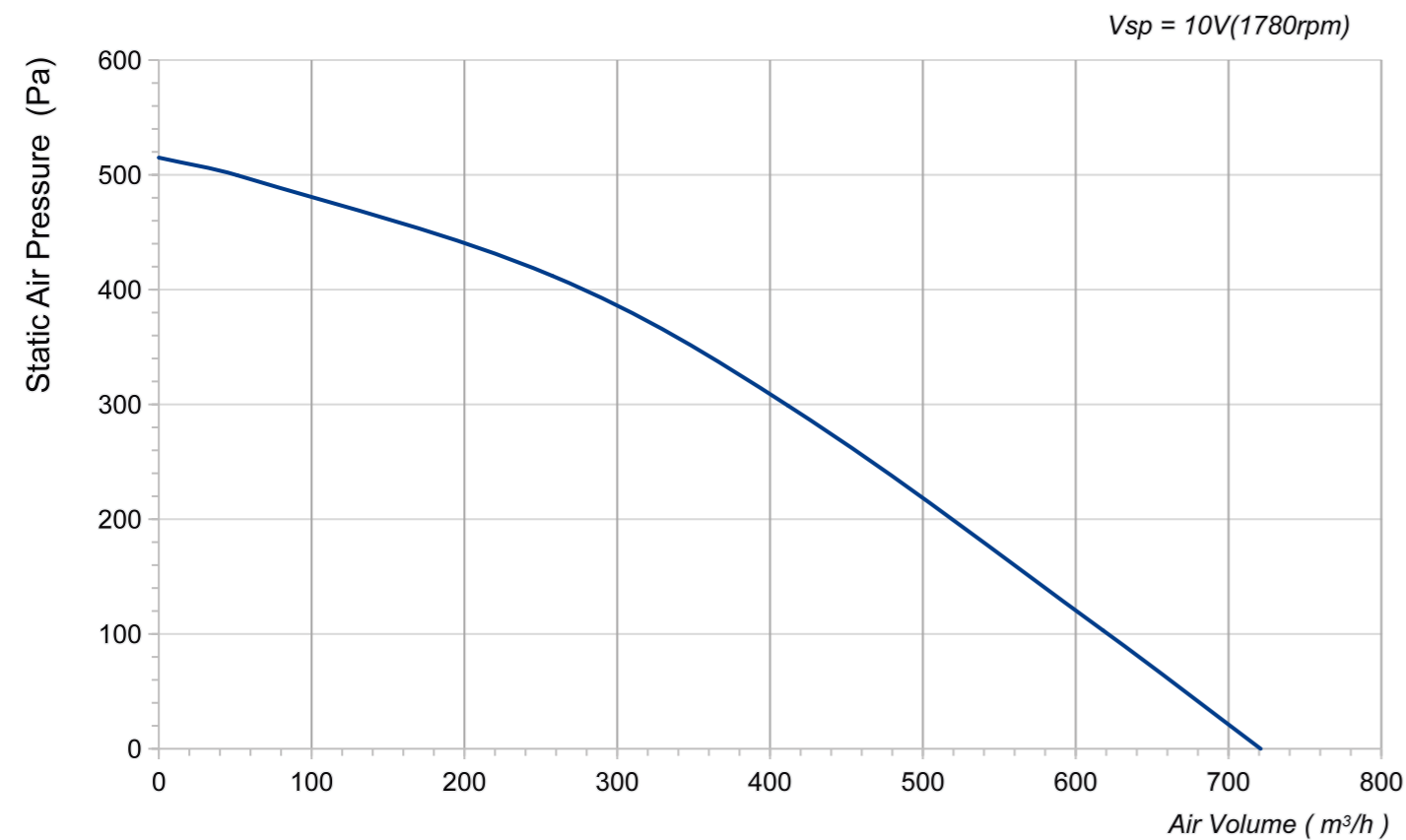
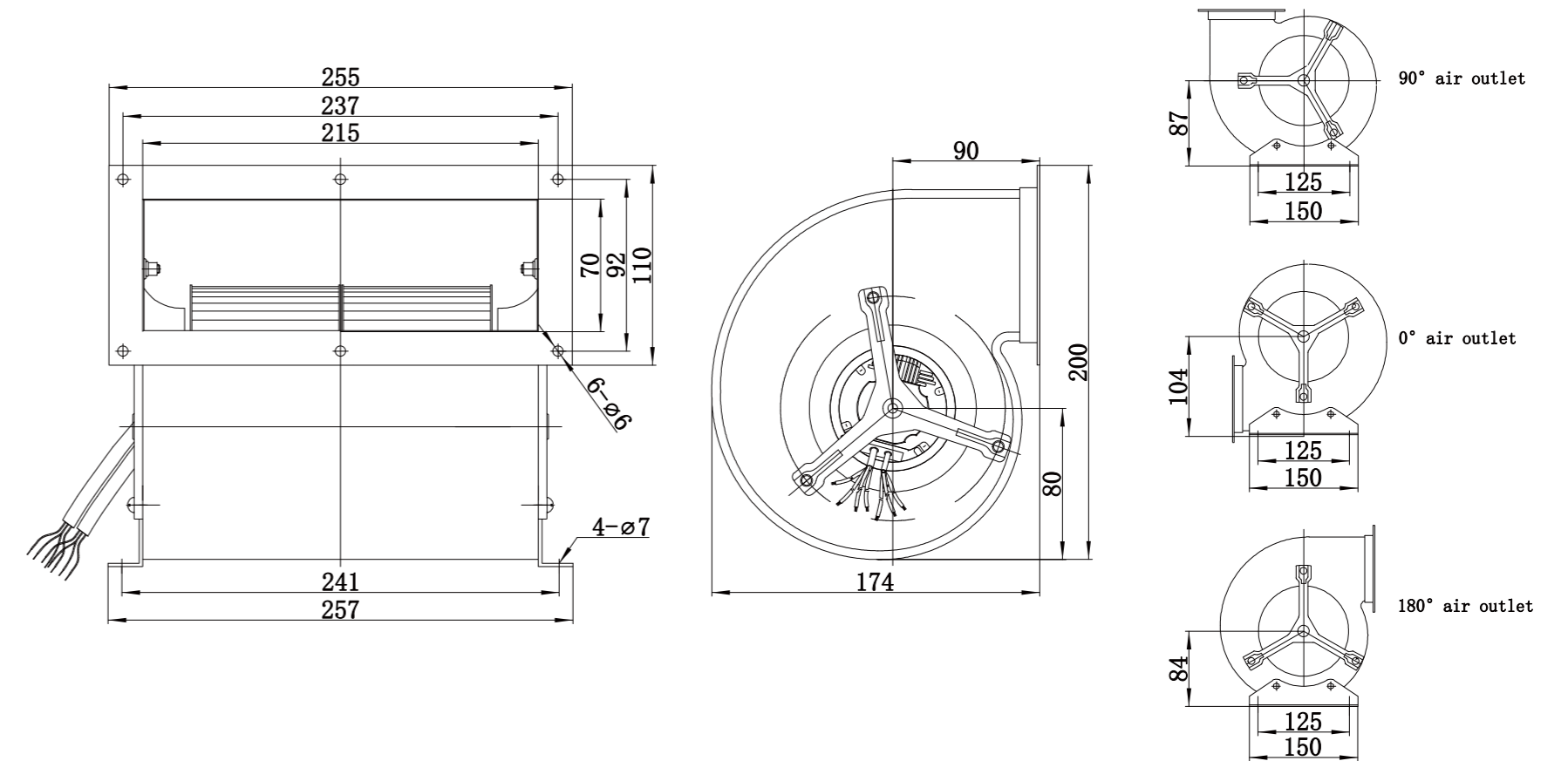
- Material : Galvanised sheet steel
- Mode of operation: S1
- Type of operation: IP54
- Insulation class: F
- Bearing: Maintenance-free ball bearings
- Operation Temperature: -30~+60 C



Technical Specifications

Model	Voltage (V)	Power (W)	Current (A)	Speed (RPM)	Air Flow (m³/h)	Air Pressure (Pa)	Noise [dB(A)]	Curve
LWFD3G133-072DM-02	24	105	5.6	1780	721	515	62	/

Product Drawing (mm)



LWFD-133 Series

Product Characteristic

- Material : Galvanised sheet steel
- Mode of operation: S1
- Type of operation: IP54
- Insulation class: F
- Bearing: Maintenance-free ball bearings
- Operation Temperature: -30~+60 C

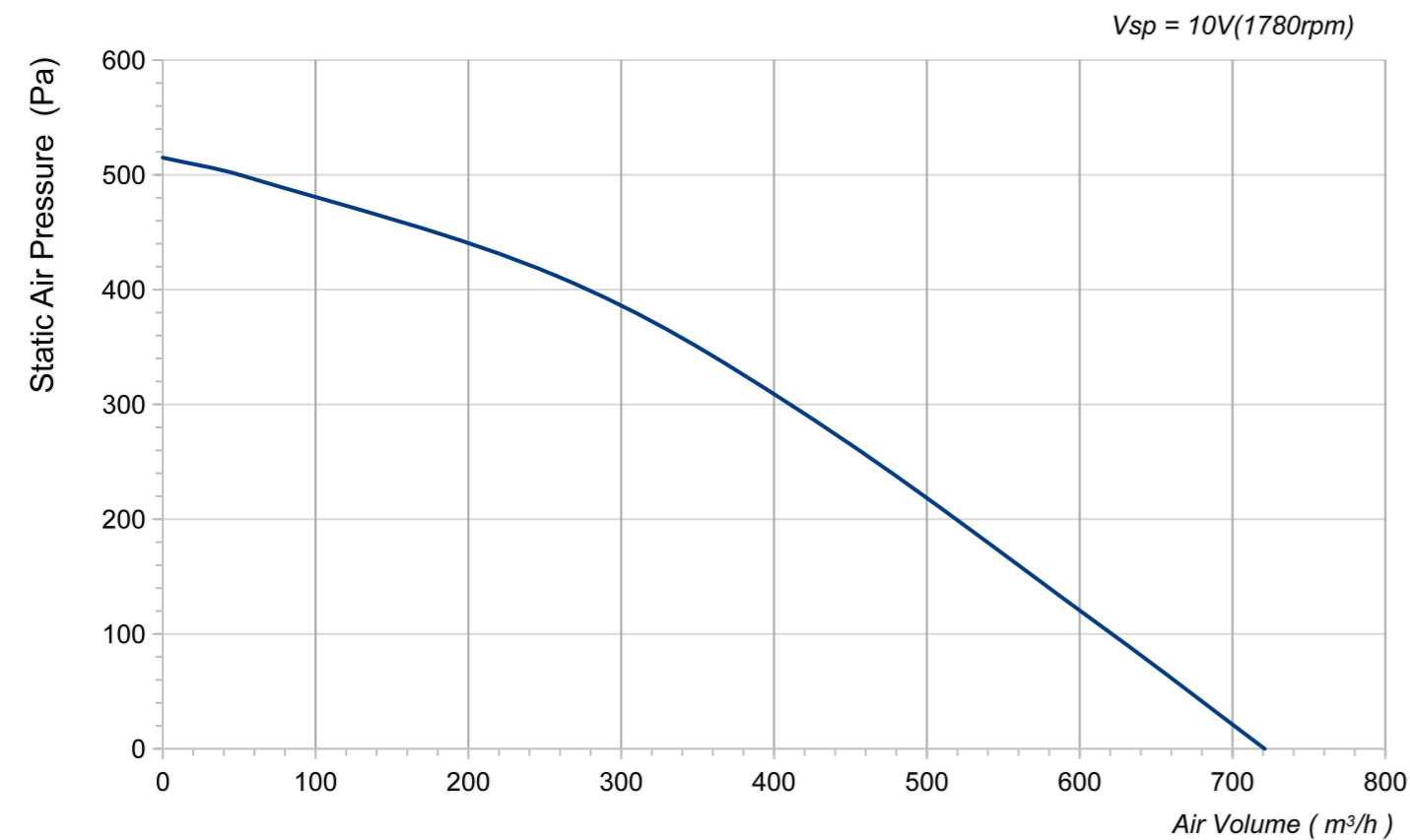
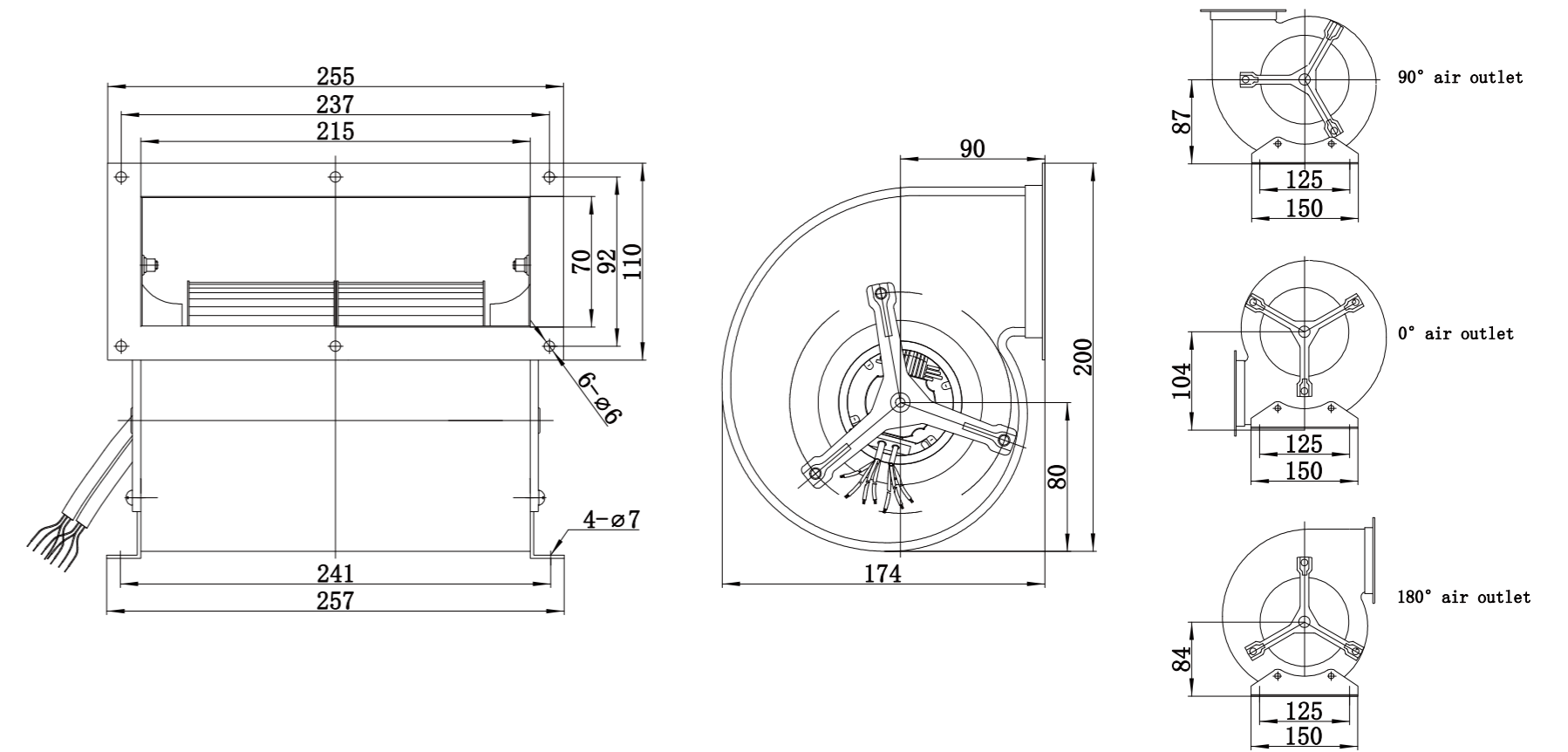


Technical Specifications

Model	Voltage (V)	Power (W)	Current (A)	Speed (RPM)	Air Flow (m³/h)	Air Pressure (Pa)	Noise [dB(A)]	Curve
LWFD3G133-072DH-02	48	105	2.8	1780	721	515	62	/



Product Drawing (mm)



LWFD-133 Series

Product Characteristic

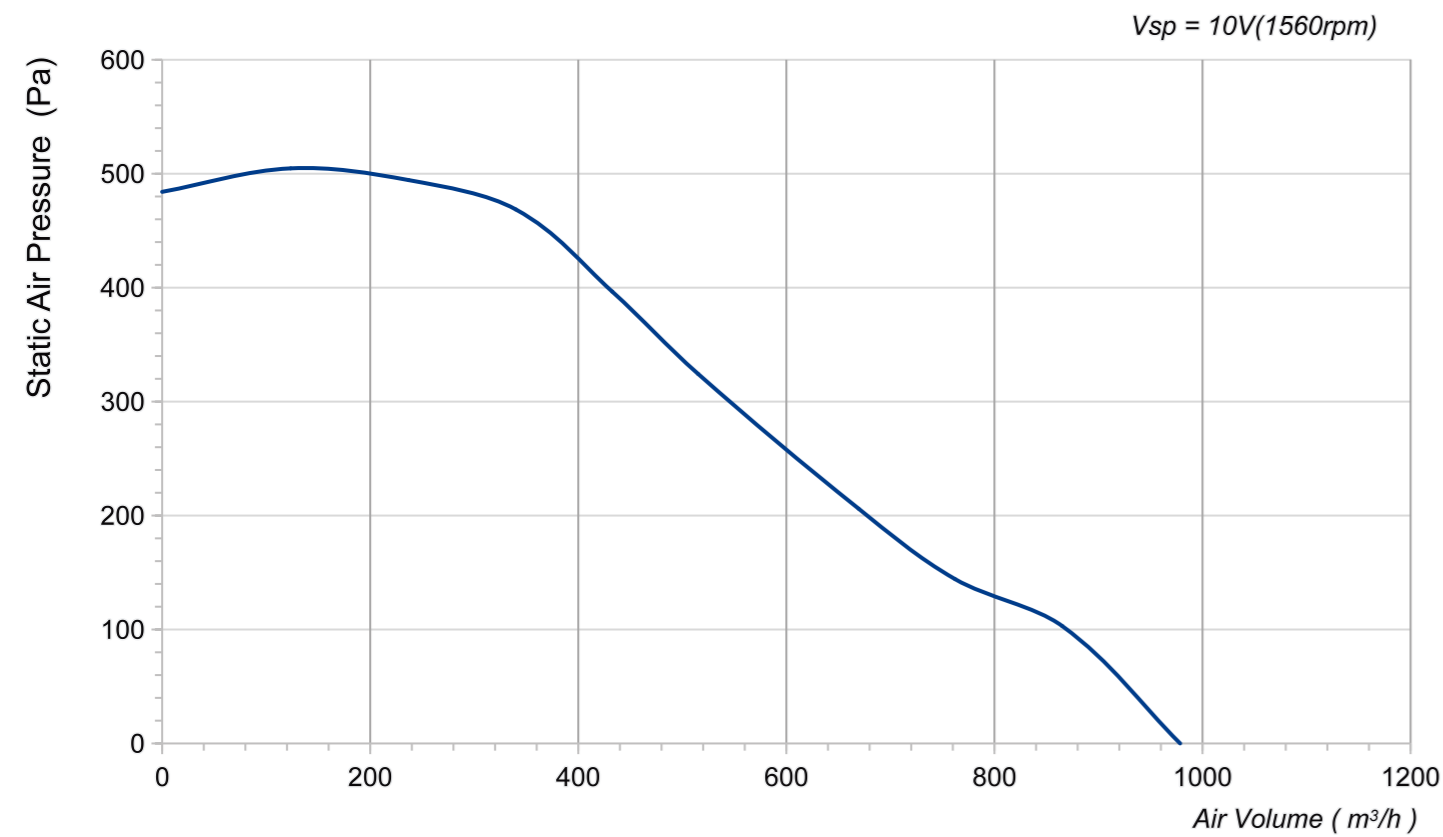
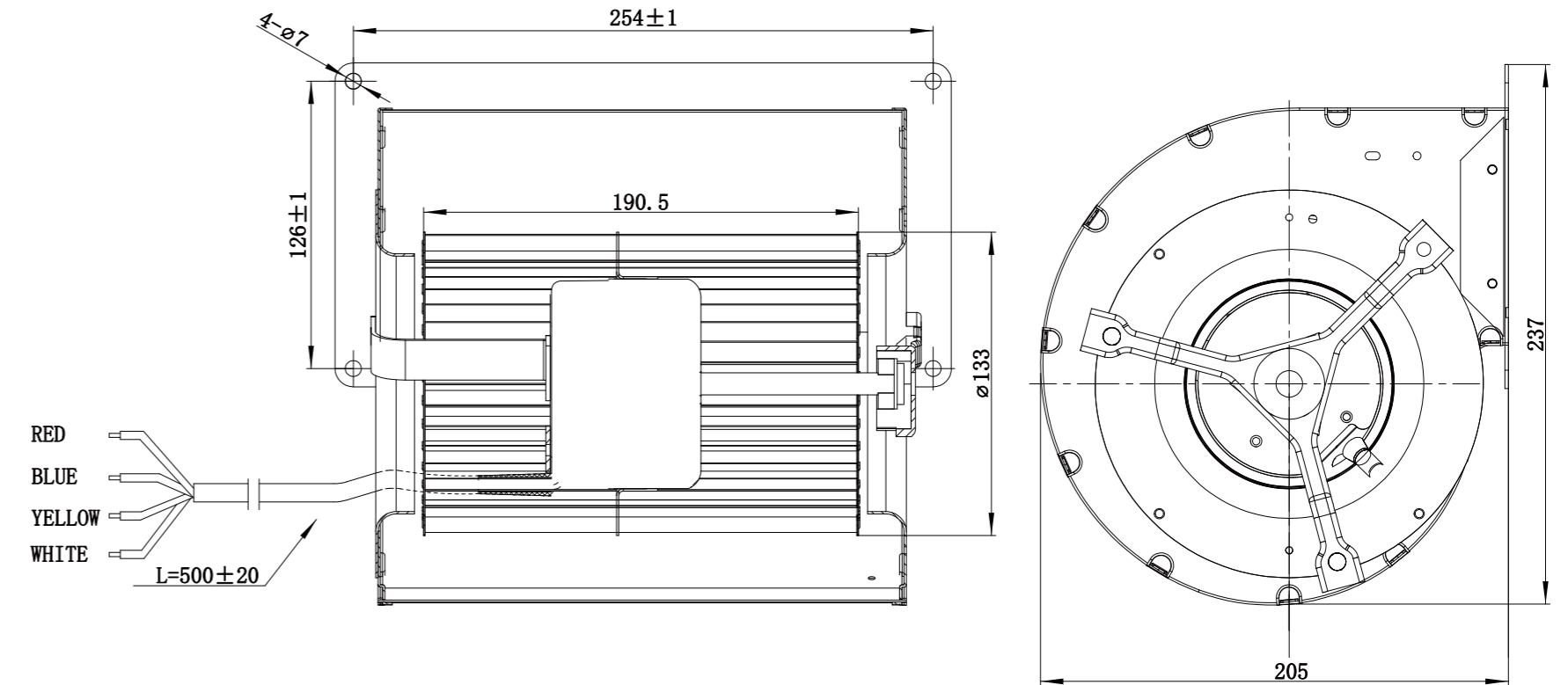
- Material : Galvanised sheet steel
- Mode of operation: S1
- Type of operation: IP54
- Insulation class: F
- Bearing: Maintenance-free ball bearings
- Operation Temperature: -30~+60 C



Technical Specifications

Model	Voltage (V)	Power (W)	Current (A)	Speed (RPM)	Air Flow (m³/h)	Air Pressure (Pa)	Noise [dB(A)]	Curve
LWFD3G133-092DM-03	24	120	5	1560	979	484	68	/

Product Drawing (mm)



LWFD-133 Series

Product Characteristic

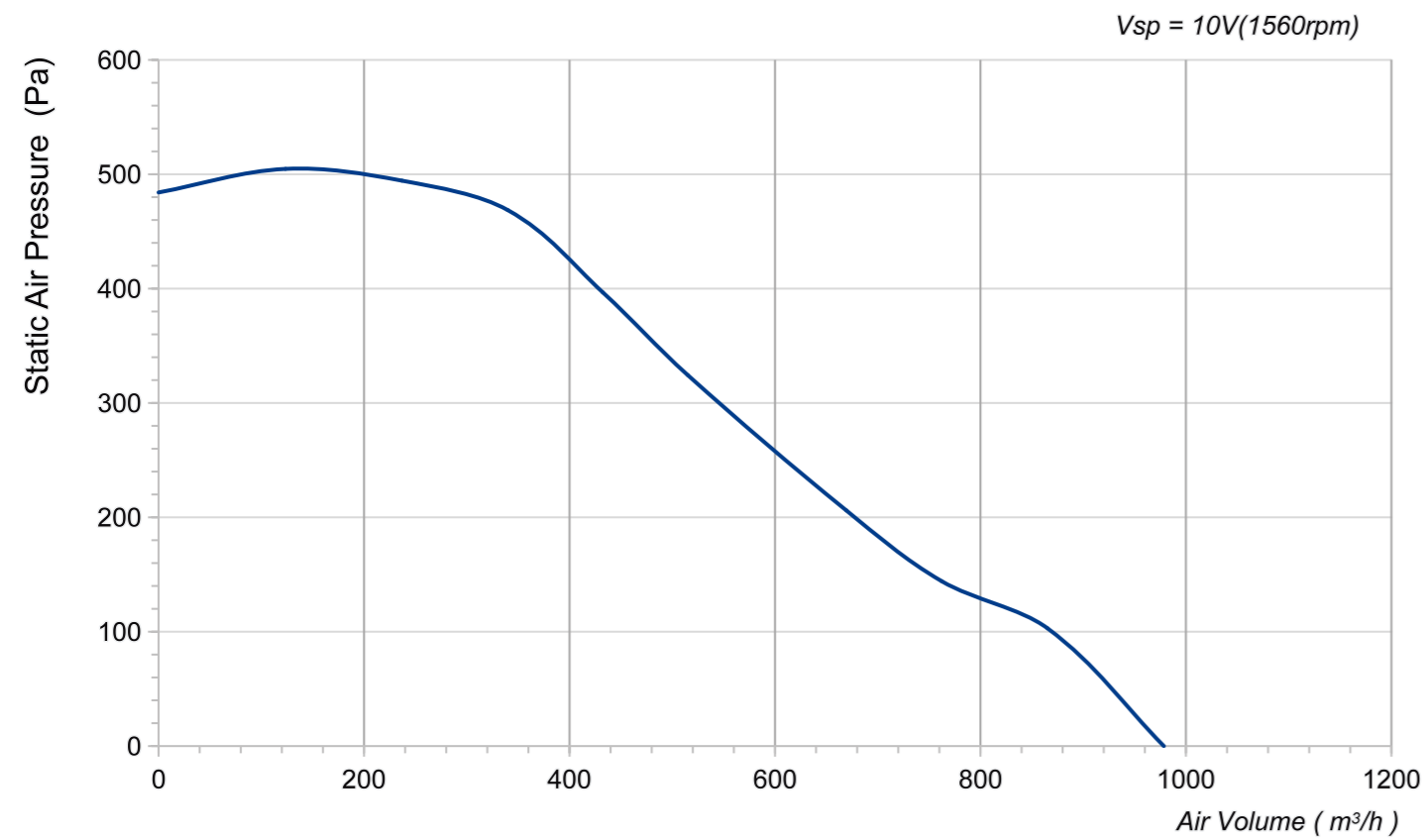
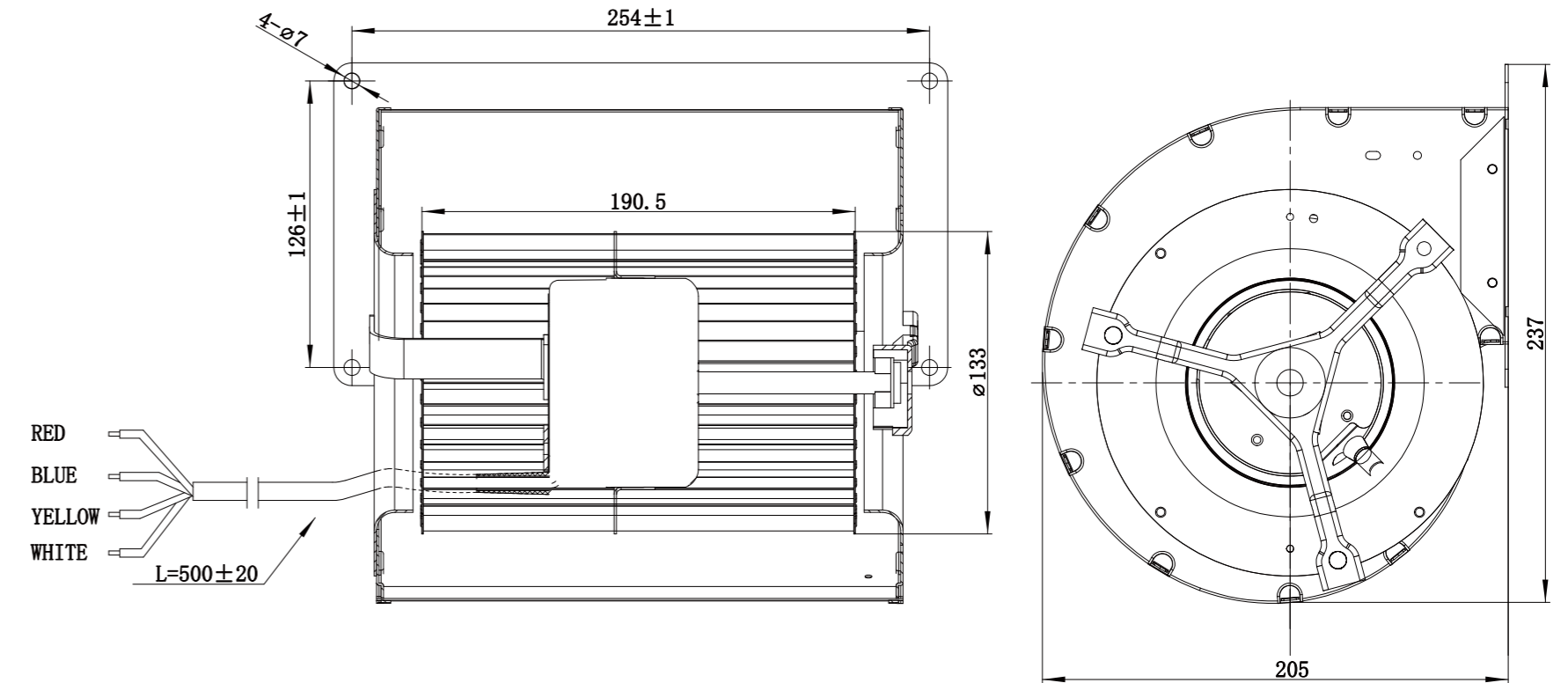
- Material : Galvanised sheet steel
- Mode of operation: S1
- Type of operation: IP54
- Insulation class: F
- Bearing: Maintenance-free ball bearings
- Operation Temperature: -30~+60 C



Technical Specifications

Model	Voltage (V)	Power (W)	Current (A)	Speed (RPM)	Air Flow (m³/h)	Air Pressure (Pa)	Noise [dB(A)]	Curve
LWFD3G133-092DH-03	48	120	2.5	1560	979	484	68	/

Product Drawing (mm)



LWFD-133 Series

Product Characteristic

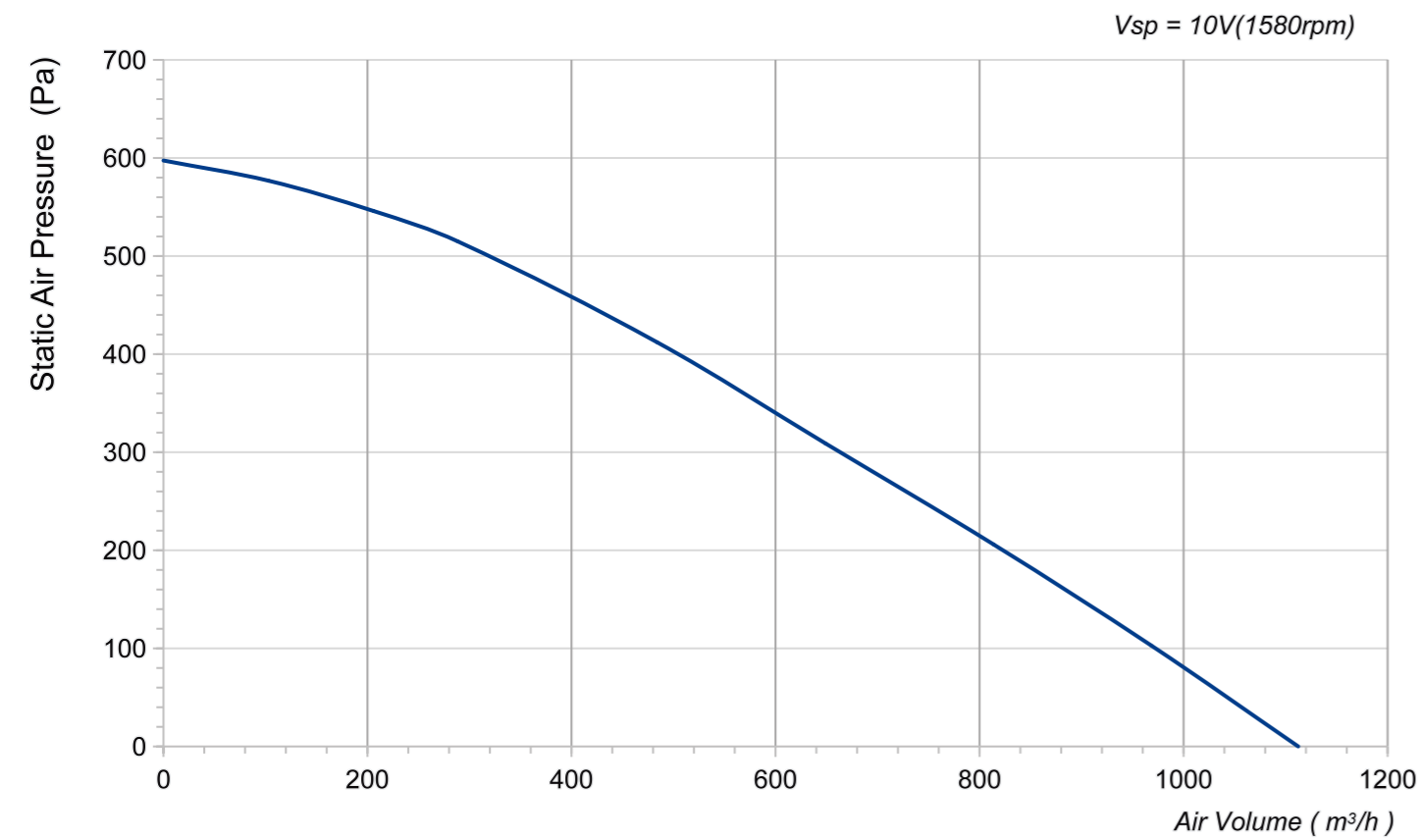
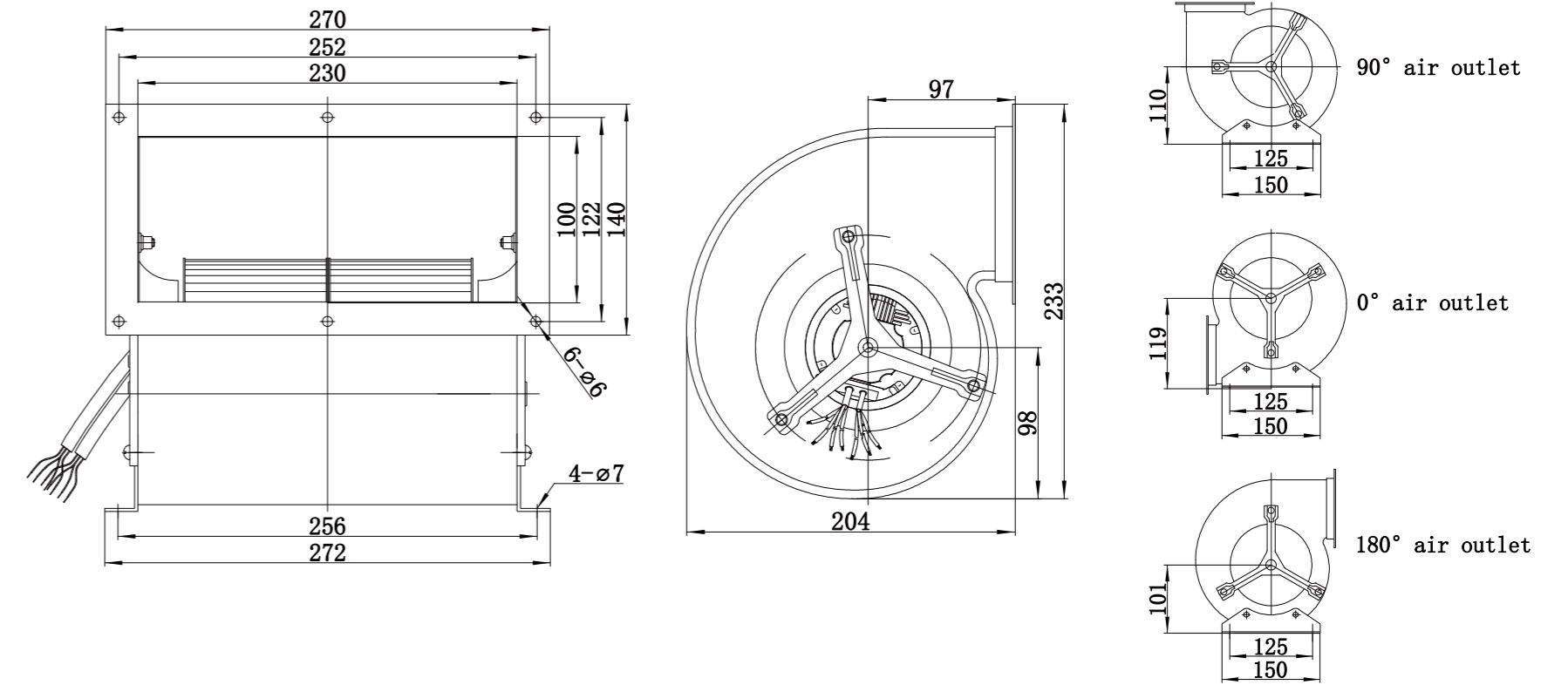
- Material : Galvanised sheet steel
- Mode of operation: S1
- Type of operation: IP54
- Insulation class: F
- Bearing: Maintenance-free ball bearings
- Operation Temperature: -30~+60 C



Technical Specifications

Model	Voltage (V)	Power (W)	Current (A)	Speed (RPM)	Air Flow (m³/h)	Air Pressure (Pa)	Noise [dB(A)]	Curve
LWFD3G133-072DM-04	24	118	6	1580	1112	597	64	/

Product Drawing (mm)



LWFD-133 Series

Product Characteristic

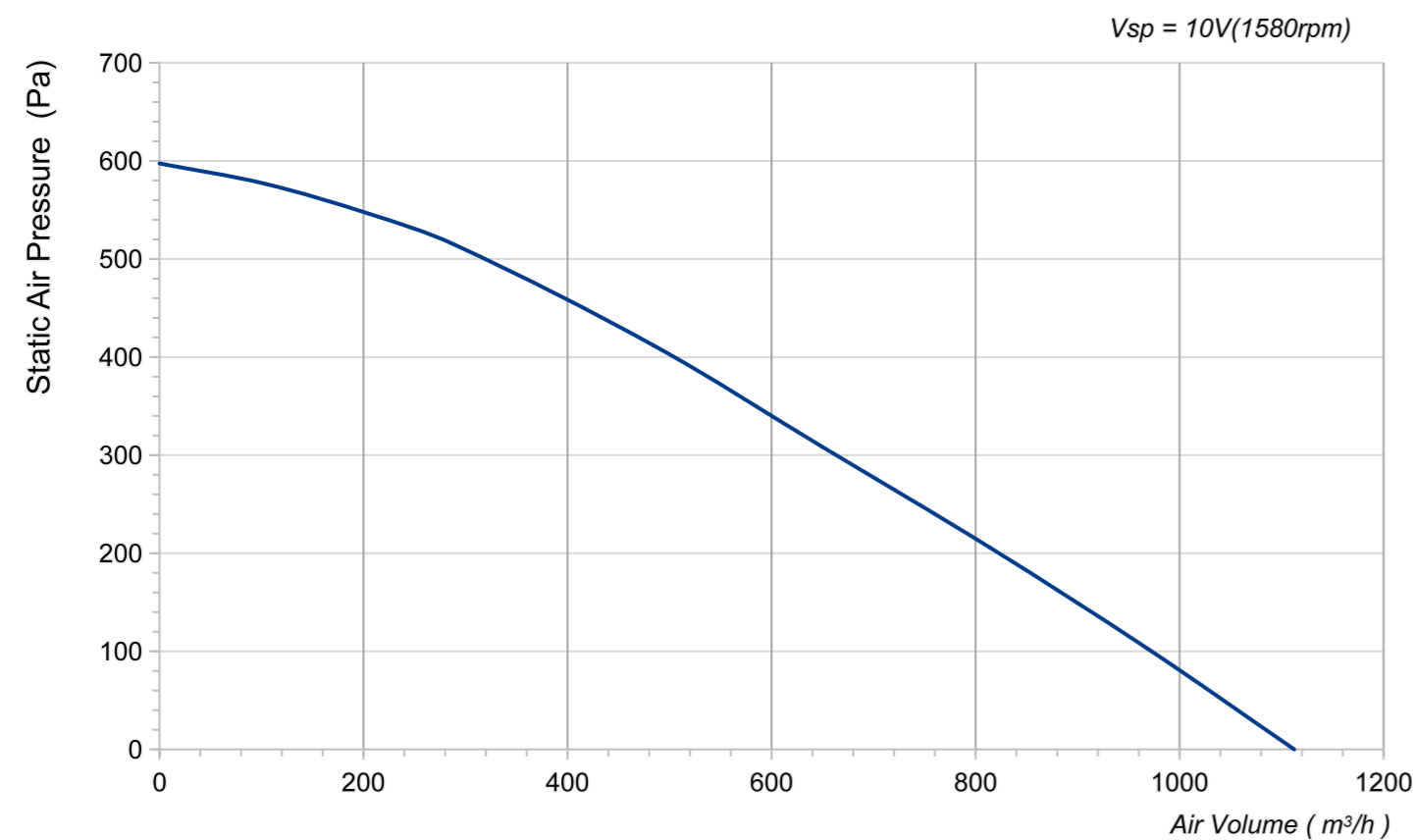
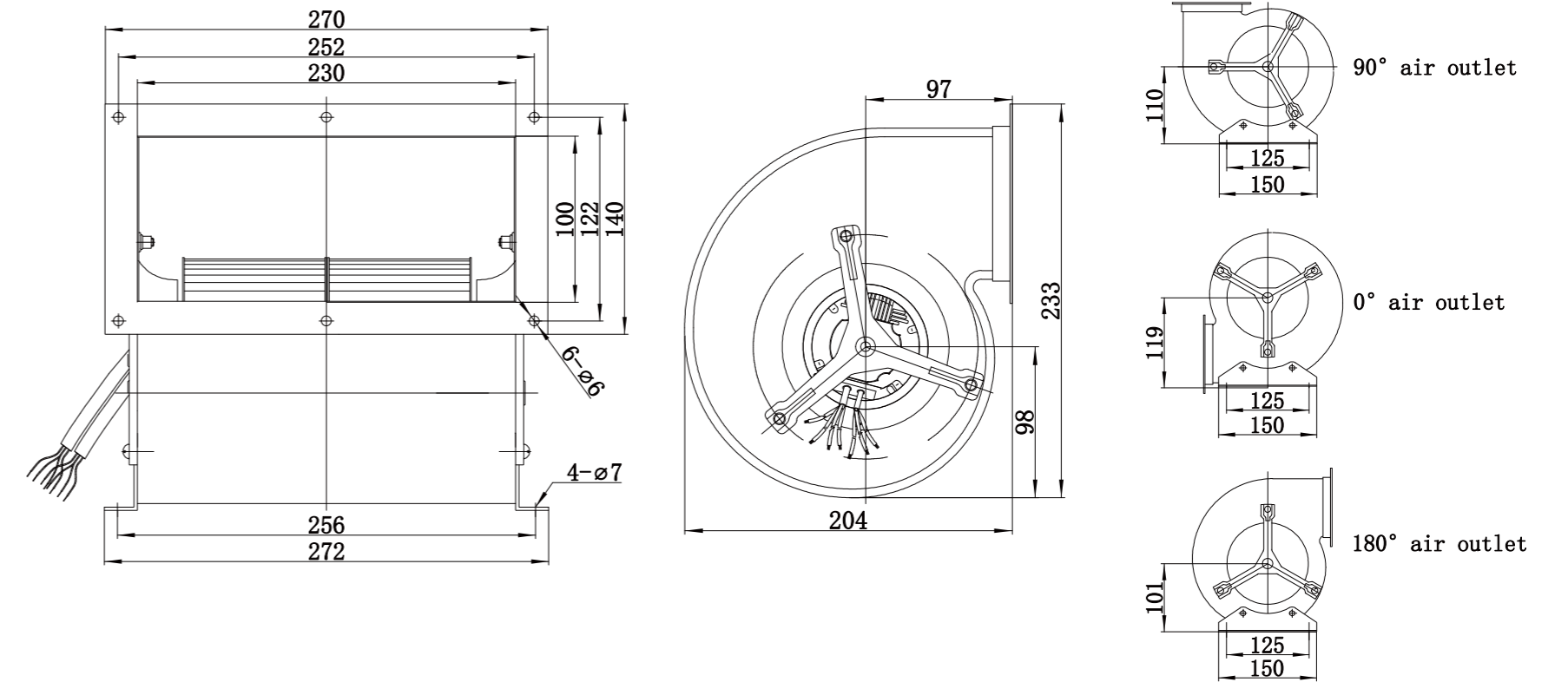
- Material : Galvanised sheet steel
- Mode of operation: S1
- Type of operation: IP54
- Insulation class: F
- Bearing: Maintenance-free ball bearings
- Operation Temperature: -30~+60 C



Technical Specifications

Model	Voltage (V)	Power (W)	Current (A)	Speed (RPM)	Air Flow (m³/h)	Air Pressure (Pa)	Noise [dB(A)]	Curve
LWFD3G133-072DH-04	48	118	3	1580	1112	597	64	/

Product Drawing (mm)



LWFD-146 Series

Product Characteristic

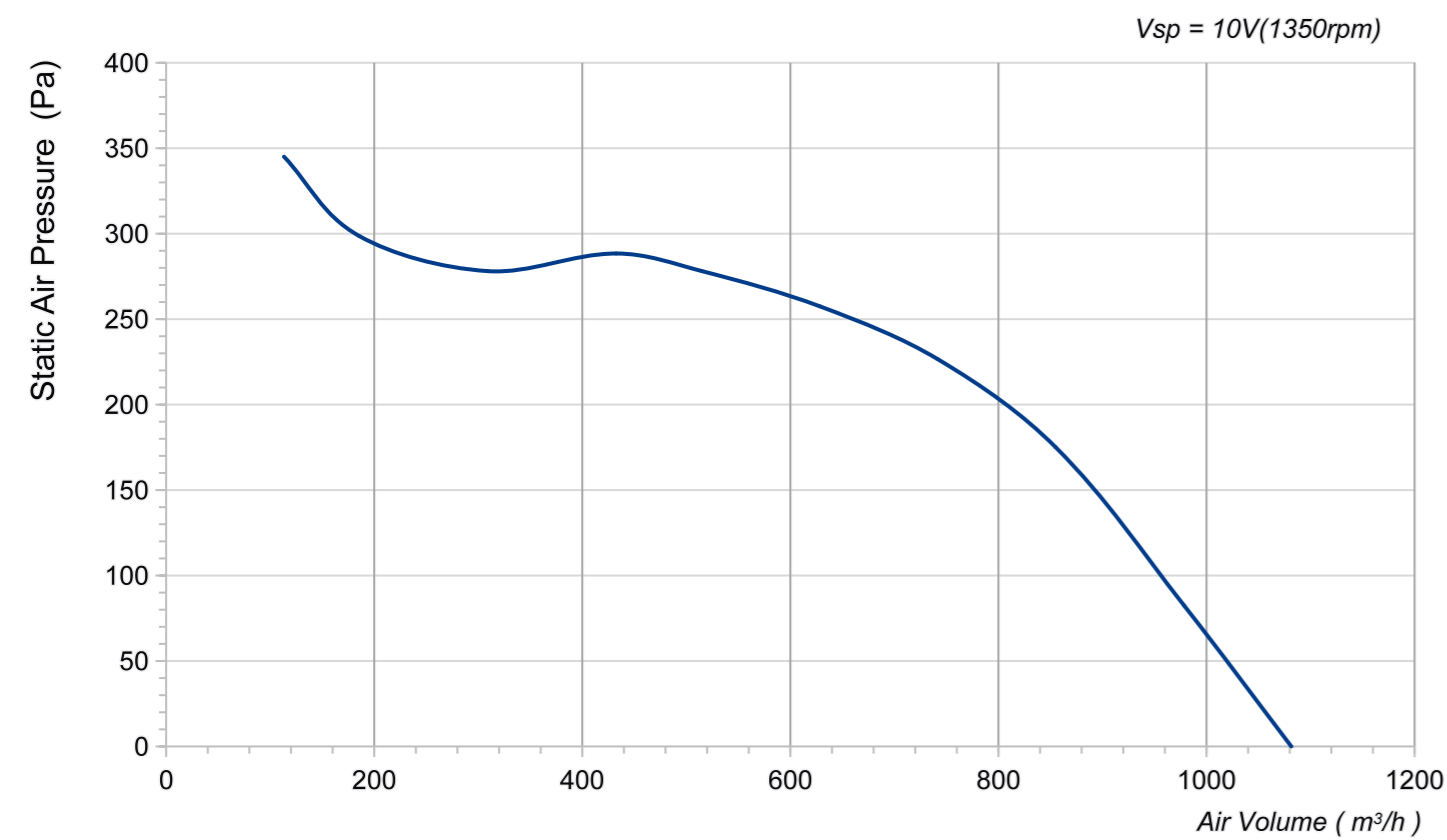
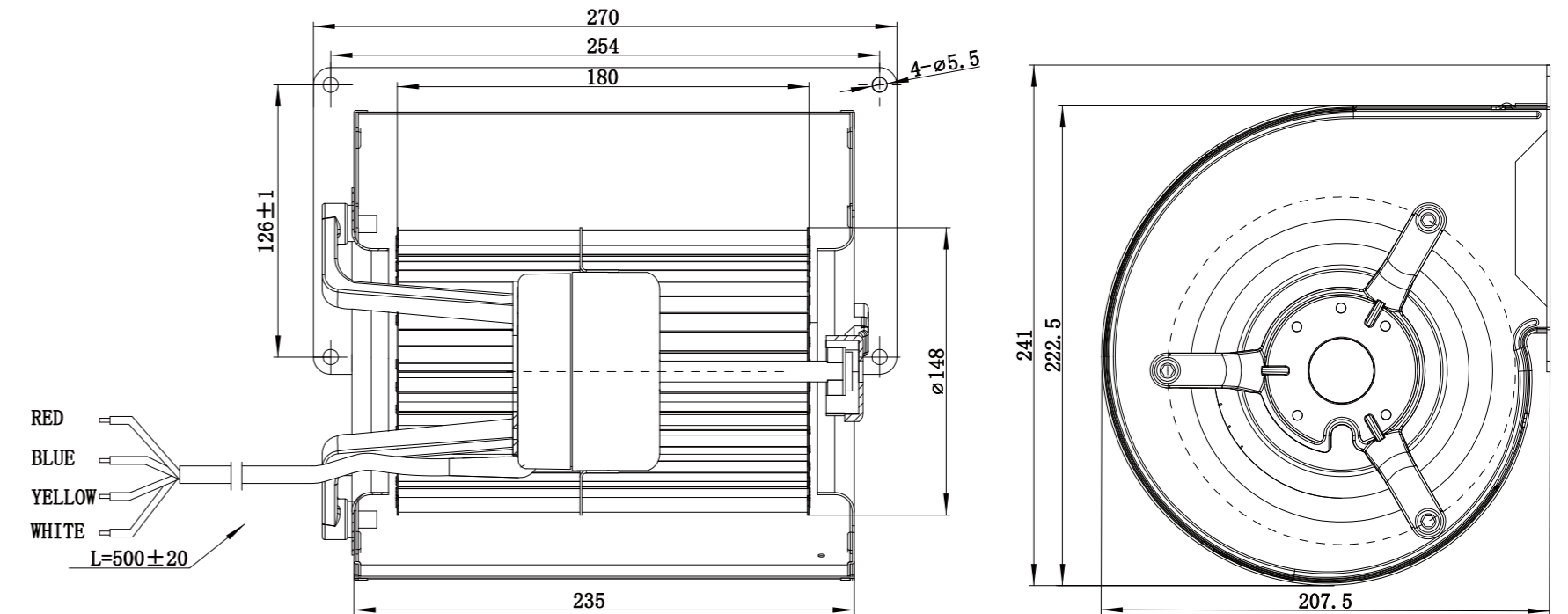
- Material : Galvanised sheet steel
- Mode of operation: S1
- Type of operation: IP54
- Insulation class: F
- Bearing: Maintenance-free ball bearings
- Operation Temperature: -30~+60 C



Technical Specifications

Model	Voltage (V)	Power (W)	Current (A)	Speed (RPM)	Air Flow (m³/h)	Air Pressure (Pa)	Noise [dB(A)]	Curve
LWFD3G146-092DM-01	24	100	4.2	1350	1082	345	65	/

Product Drawing (mm)



LWFD-146 Series

Product Characteristic

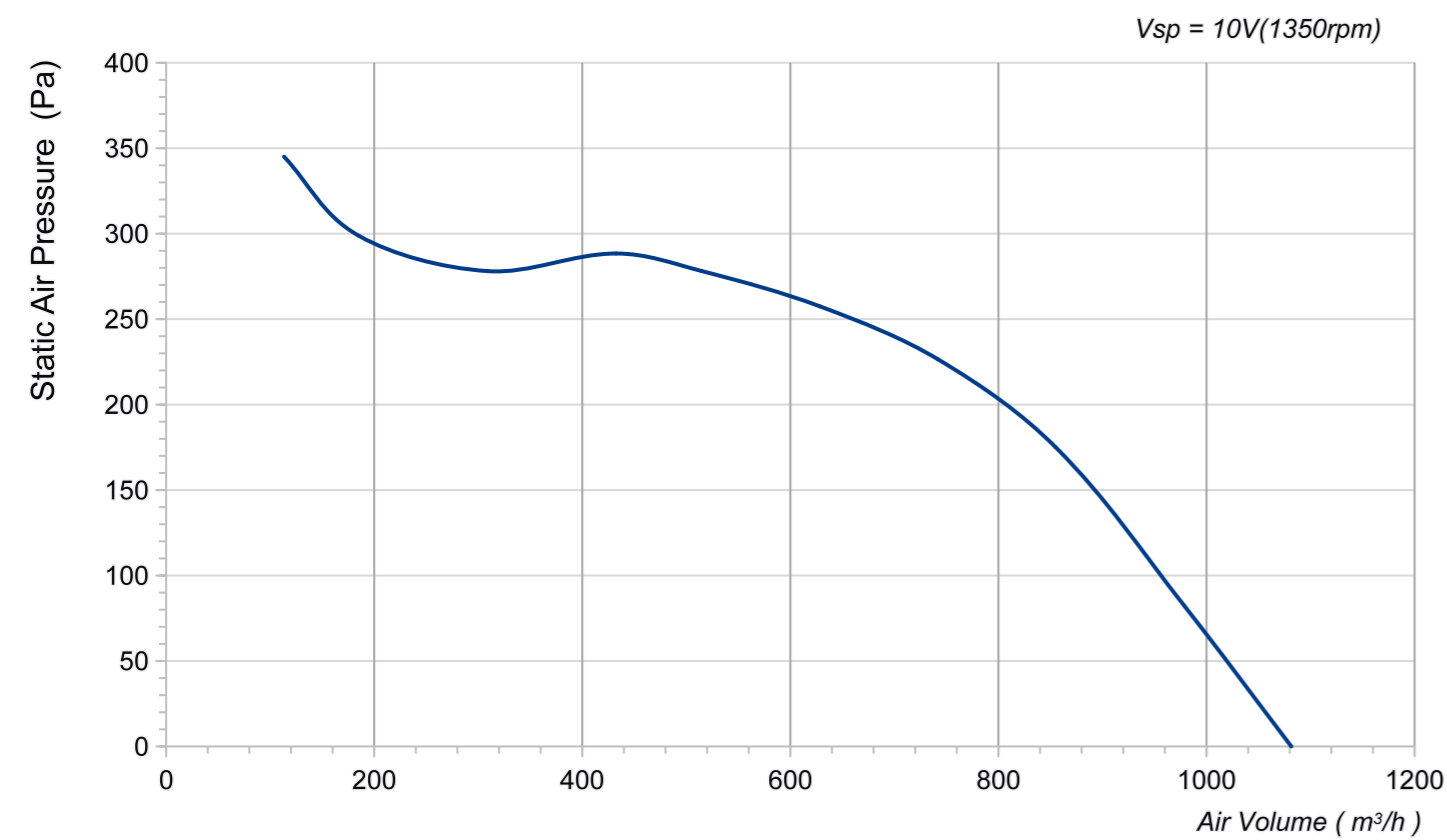
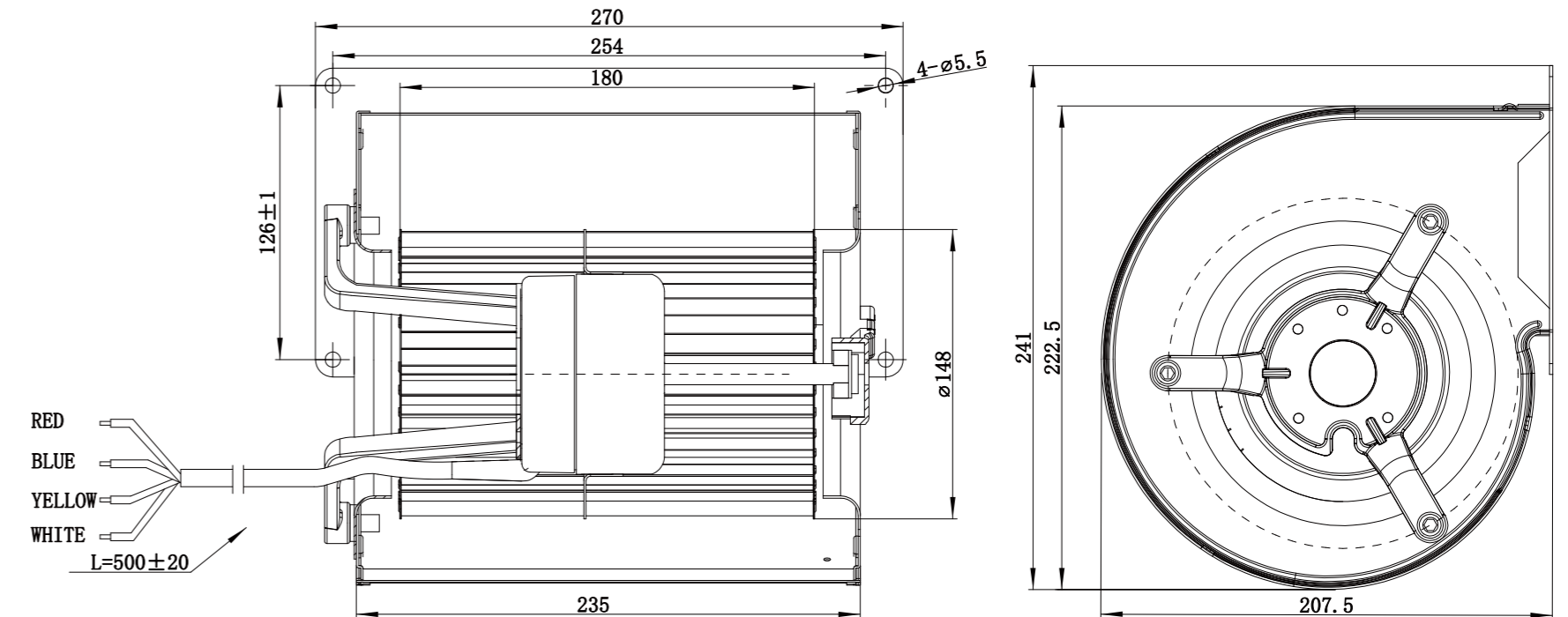
- Material : Galvanised sheet steel
- Mode of operation: S1
- Type of operation: IP54
- Insulation class: F
- Bearing: Maintenance-free ball bearings
- Operation Temperature: -30~+60 C



Technical Specifications

Model	Voltage (V)	Power (W)	Current (A)	Speed (RPM)	Air Flow (m³/h)	Air Pressure (Pa)	Noise [dB(A)]	Curve
LWFD3G146-092DH-01	48	100	2.1	1350	1082	345	65	/

Product Drawing (mm)



LWFD-133 Series

Product Characteristic

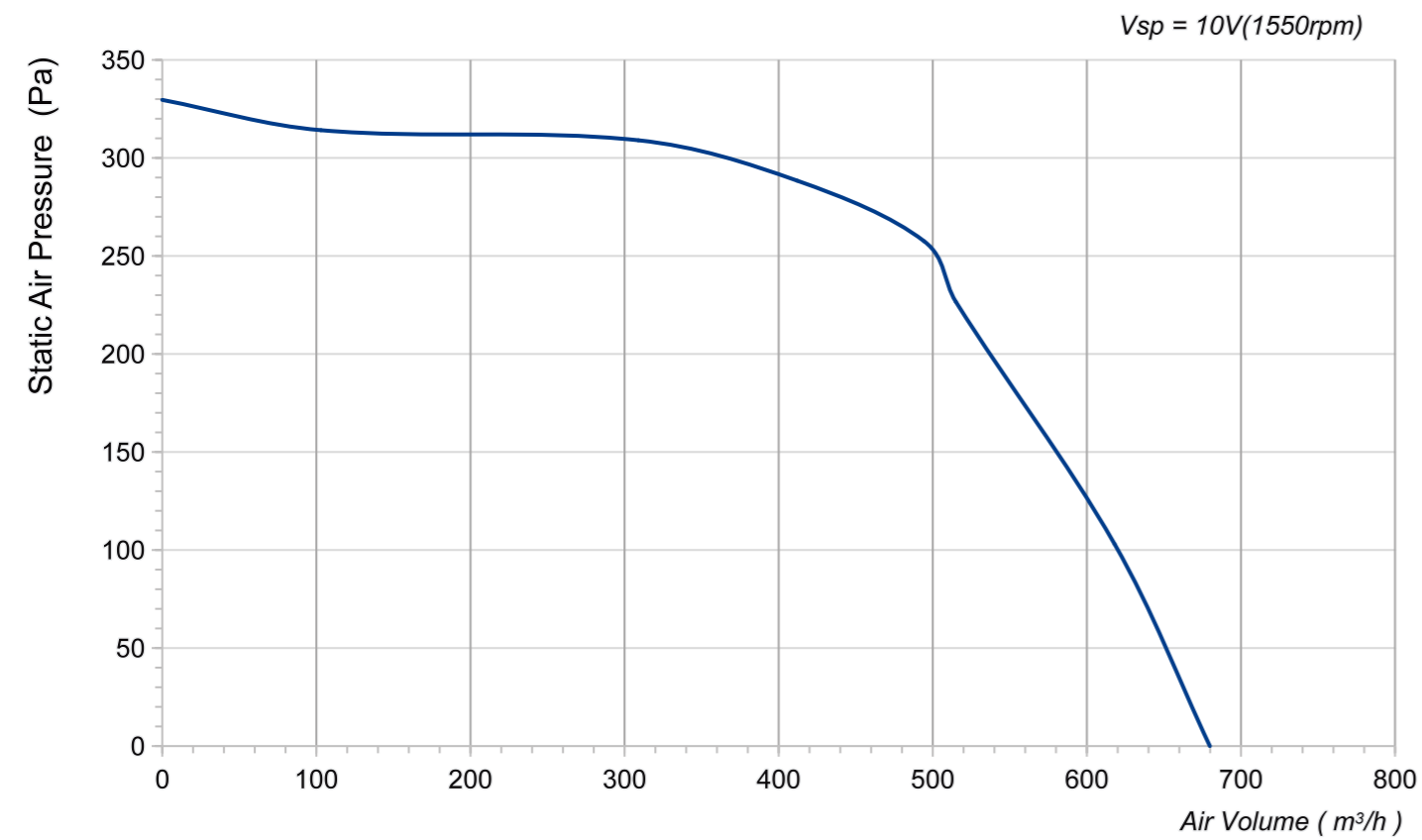
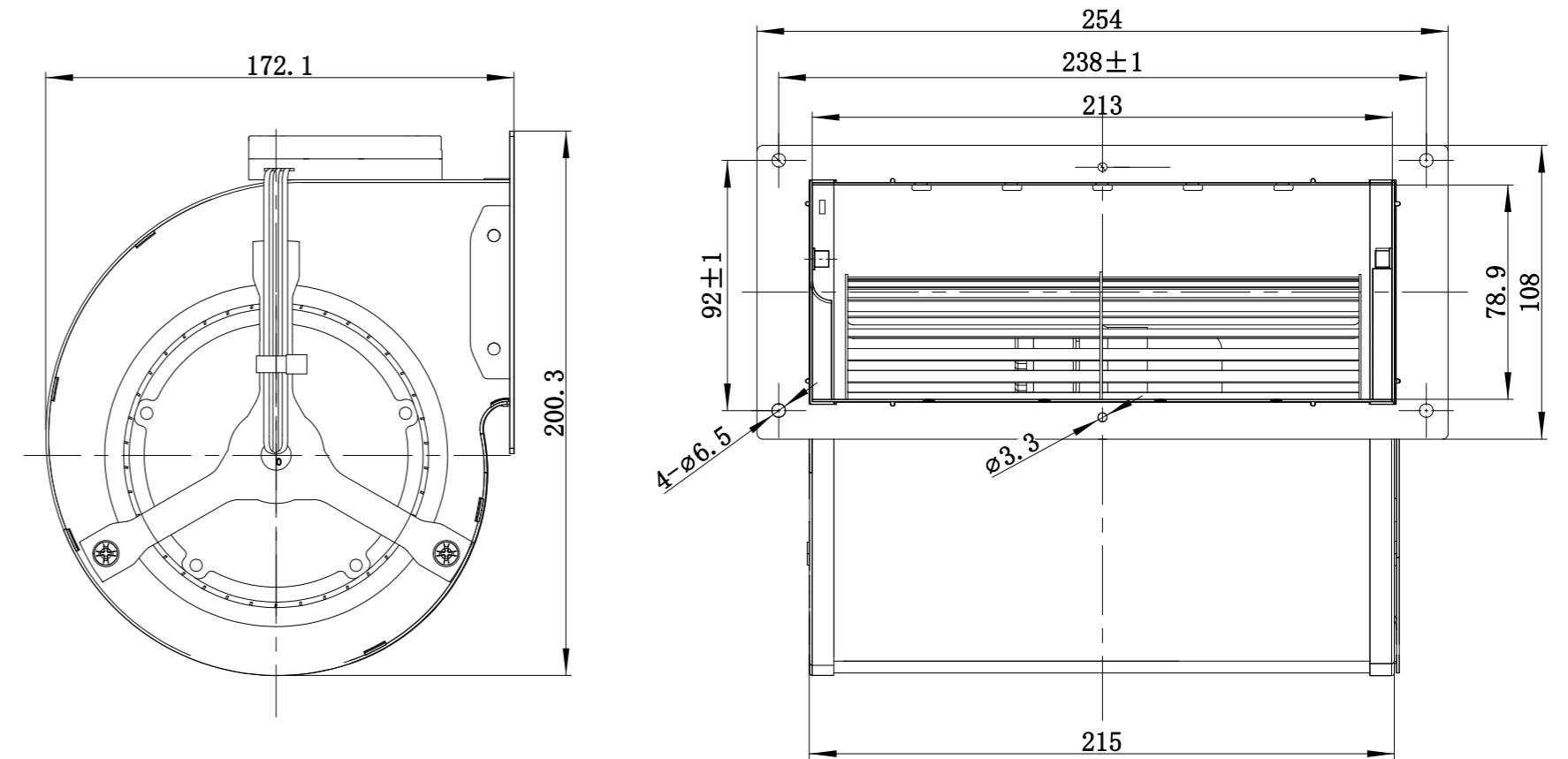
- Material : Galvanised sheet steel
- Mode of operation: S1
- Type of operation: IP54
- Insulation class: F
- Bearing: Maintenance-free ball bearings
- Operation Temperature: -30~+60 C



Technical Specifications

Model	Voltage (V)	Power (W)	Current (A)	Speed (RPM)	Air Flow (m³/h)	Air Pressure (Pa)	Noise [dB(A)]	Curve
LWFD3G133-092DZ-01	310	80	0.26	1550	680	330	69	/

Product Drawing (mm)



LWFD-133 Series

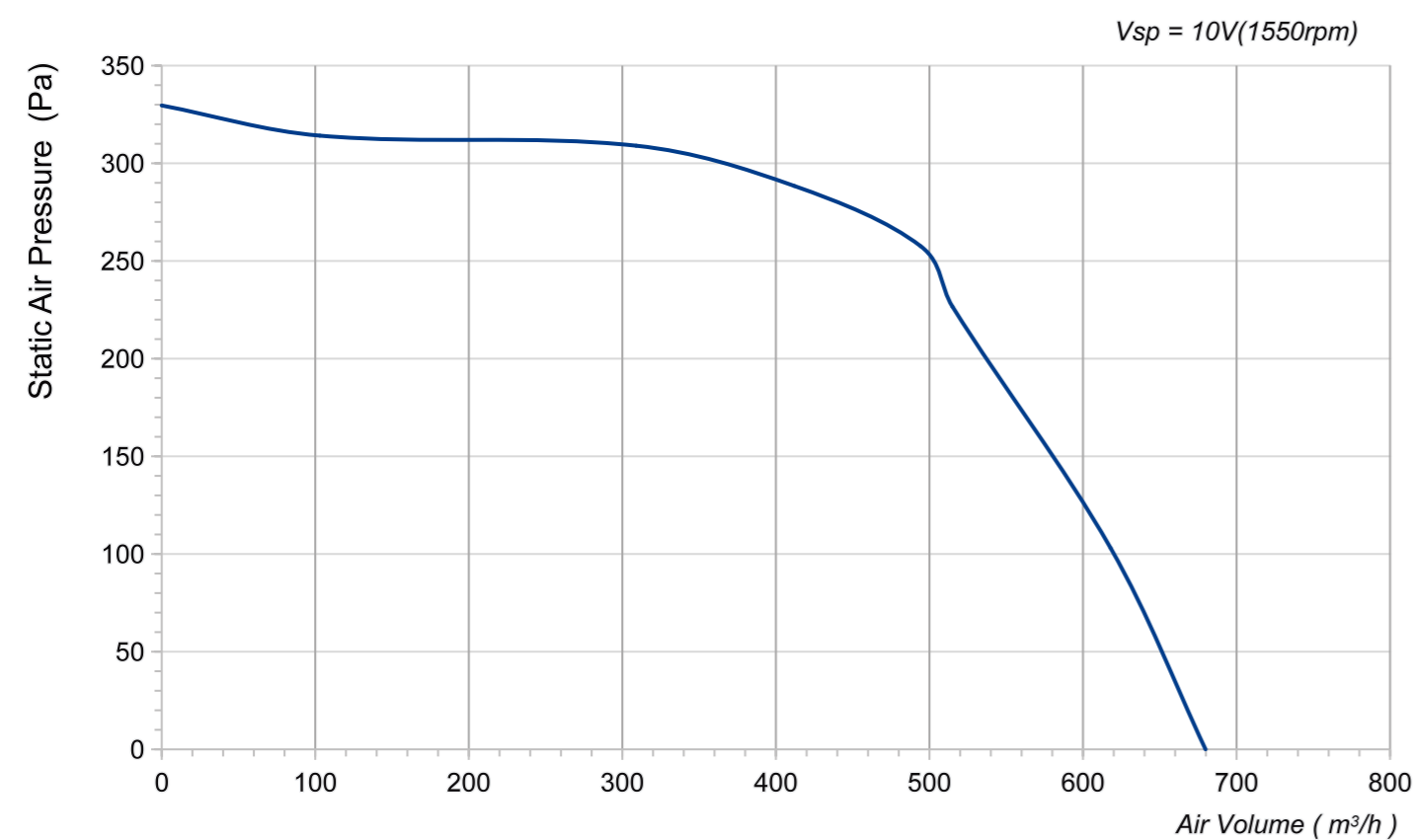
Product Characteristic

- Material : Galvanised sheet steel
- Mode of operation: S1
- Type of operation: IP54
- Insulation class: F
- Bearing: Maintenance-free ball bearings
- Operation Temperature: -30~+60 C

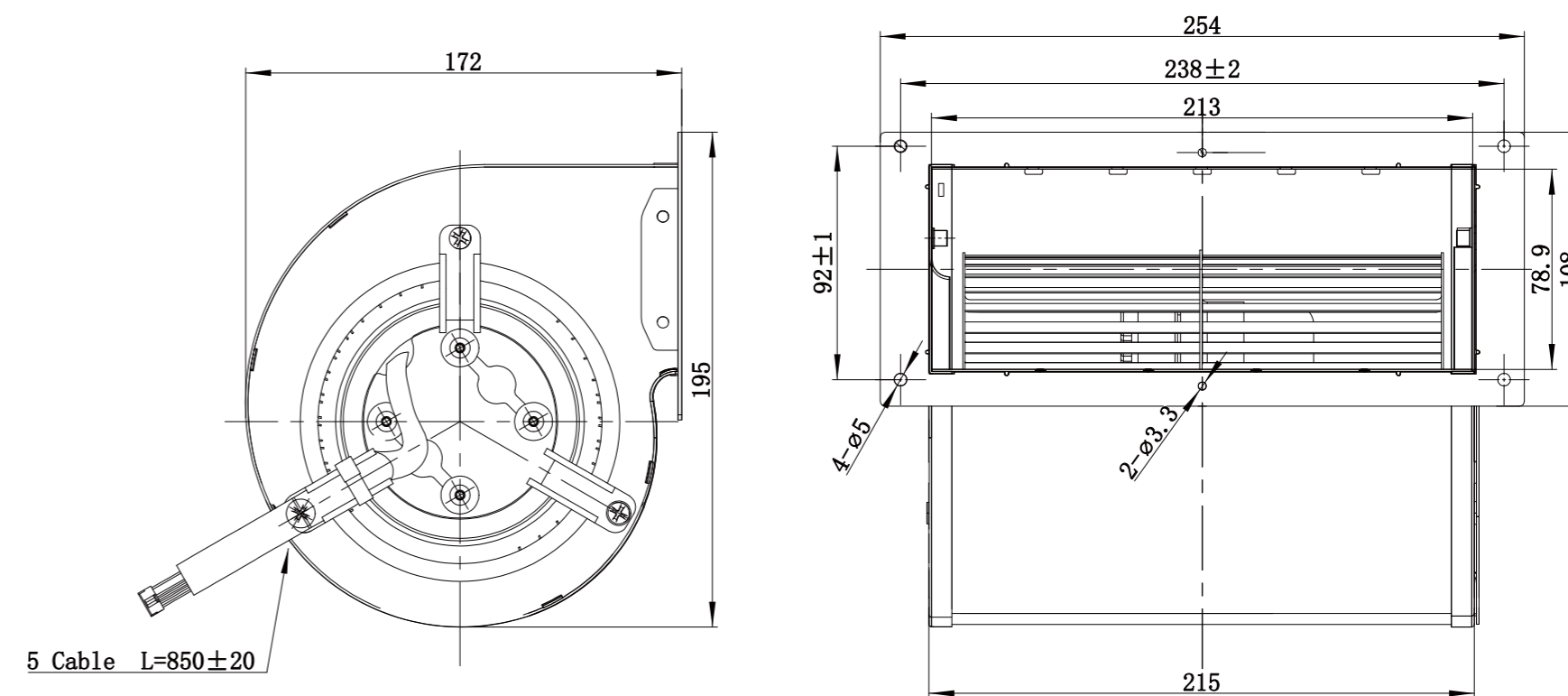


Technical Specifications

Model	Voltage (V)	Power (W)	Current (A)	Speed (RPM)	Air Flow (m³/h)	Air Pressure (Pa)	Noise [dB(A)]	Curve
LWFD3G133-092DZ-02	310	80	0.26	1550	680	330	69	/



Product Drawing (mm)



LWFD-146 Series

Product Characteristic

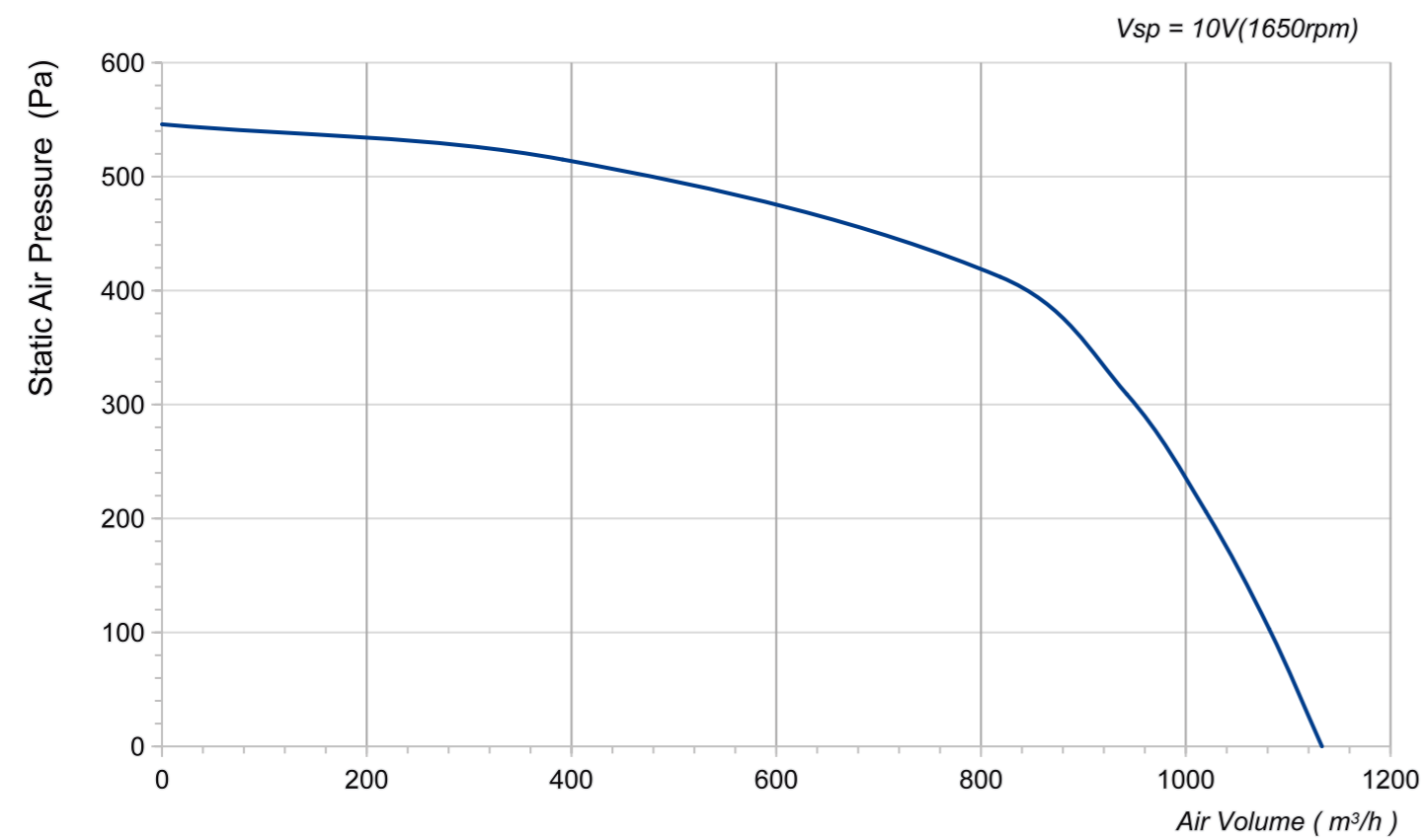
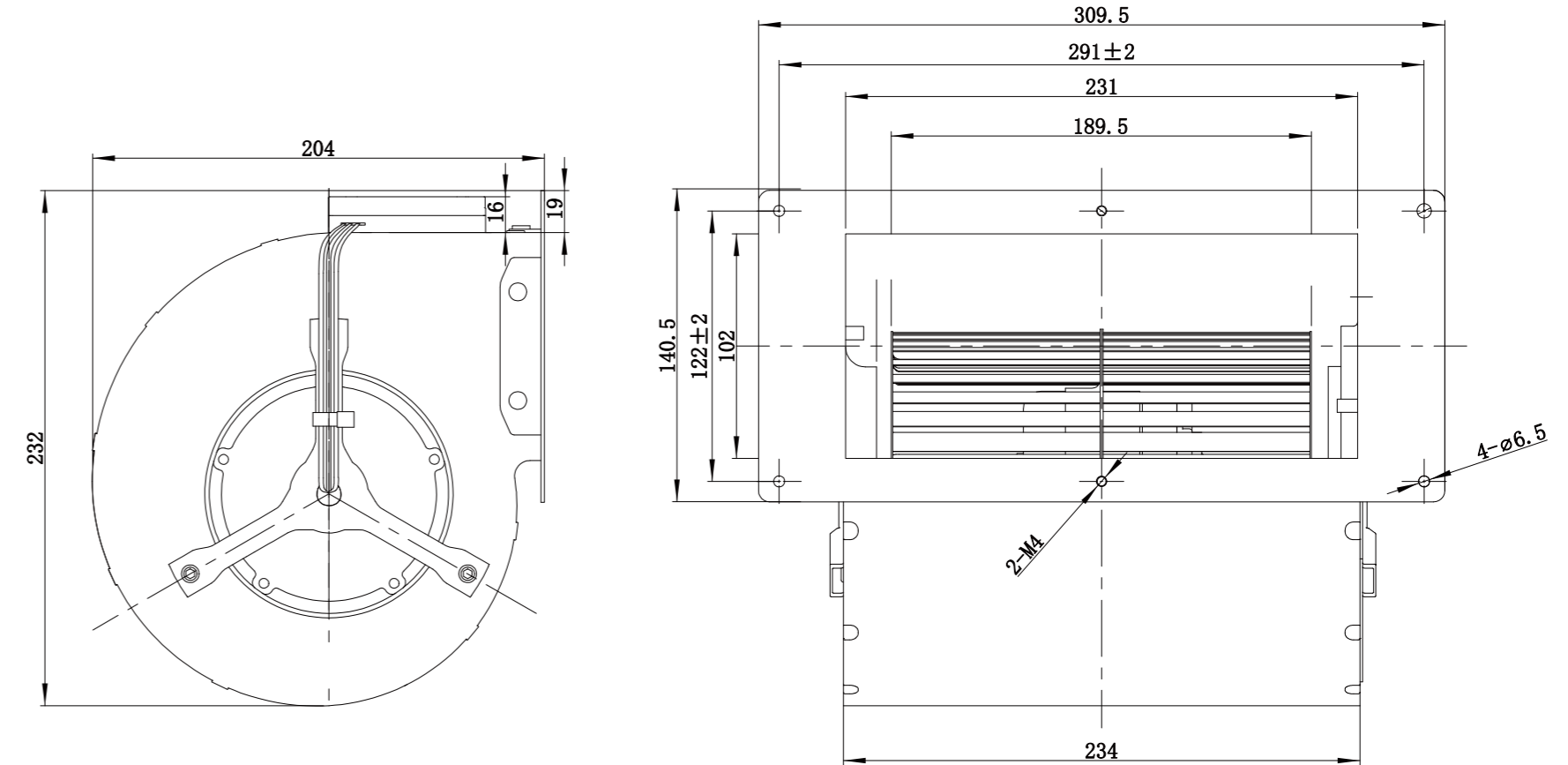
- Material : Galvanised sheet steel
- Mode of operation: S1
- Type of operation: IP54
- Insulation class: F
- Bearing: Maintenance-free ball bearings
- Operation Temperature: -30~+60 C



Technical Specifications

Model	Voltage (V)	Power (W)	Current (A)	Speed (RPM)	Air Flow (m³/h)	Air Pressure (Pa)	Noise [dB(A)]	Curve
LWFD3G146-092DZ-01	310	180	0.58	1650	1133	546	67	/

Product Drawing (mm)



LWFD-146 Series

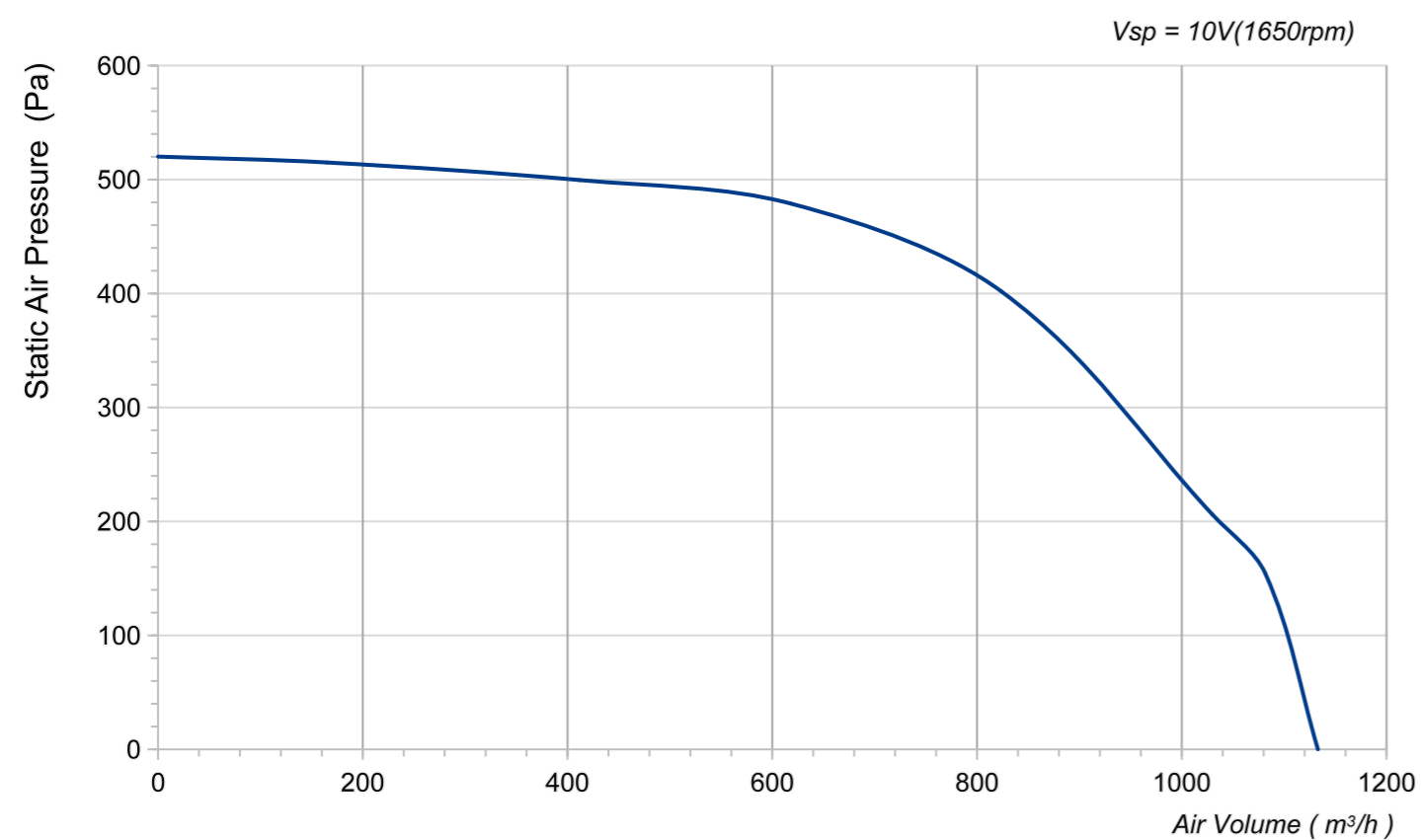
Product Characteristic

- Material : Galvanised sheet steel
- Mode of operation: S1
- Type of operation: IP54
- Insulation class: F
- Bearing: Maintenance-free ball bearings
- Operation Temperature: -30~+60 C

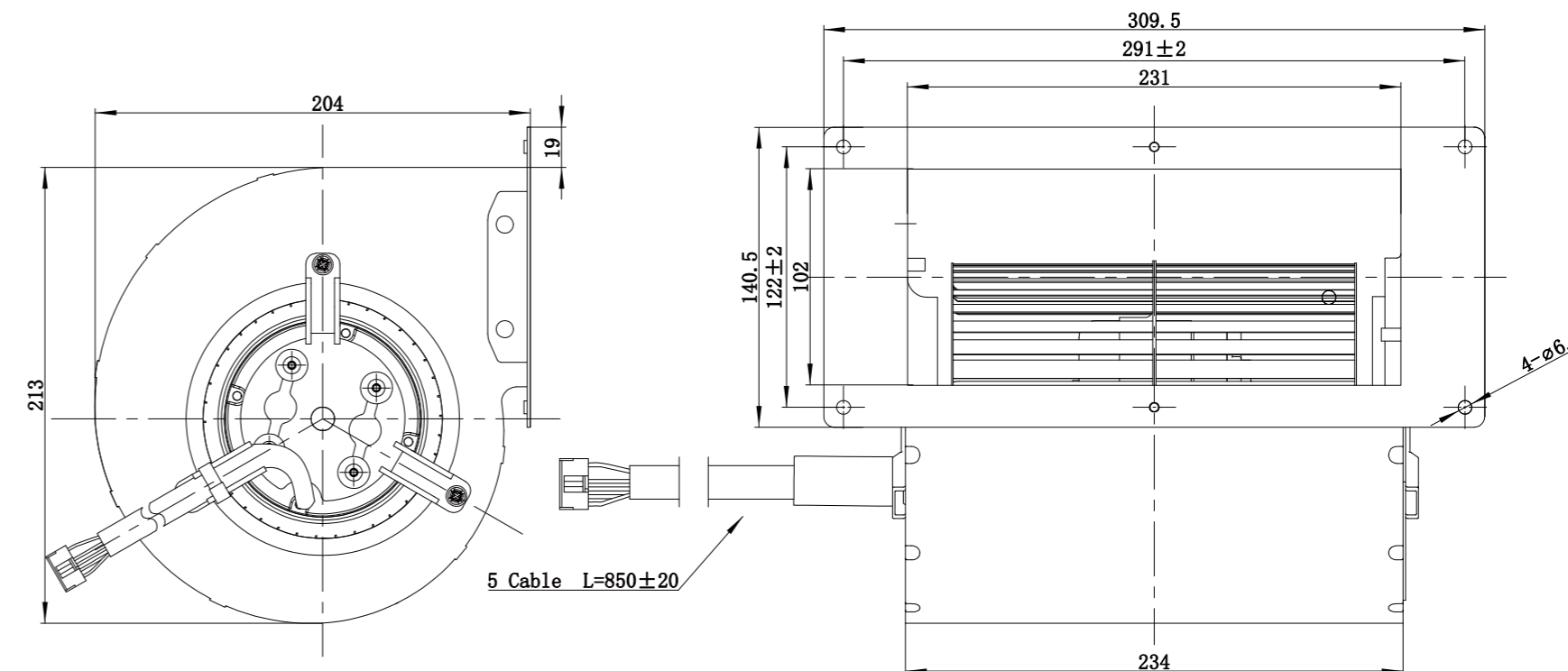


Technical Specifications

Model	Voltage (V)	Power (W)	Current (A)	Speed (RPM)	Air Flow (m³/h)	Air Pressure (Pa)	Noise [dB(A)]	Curve
LWFD3G146-092DZ-02	310	180	0.58	1650	1133	520	67	/



Product Drawing (mm)



LWFD-146 Series

Product Characteristic

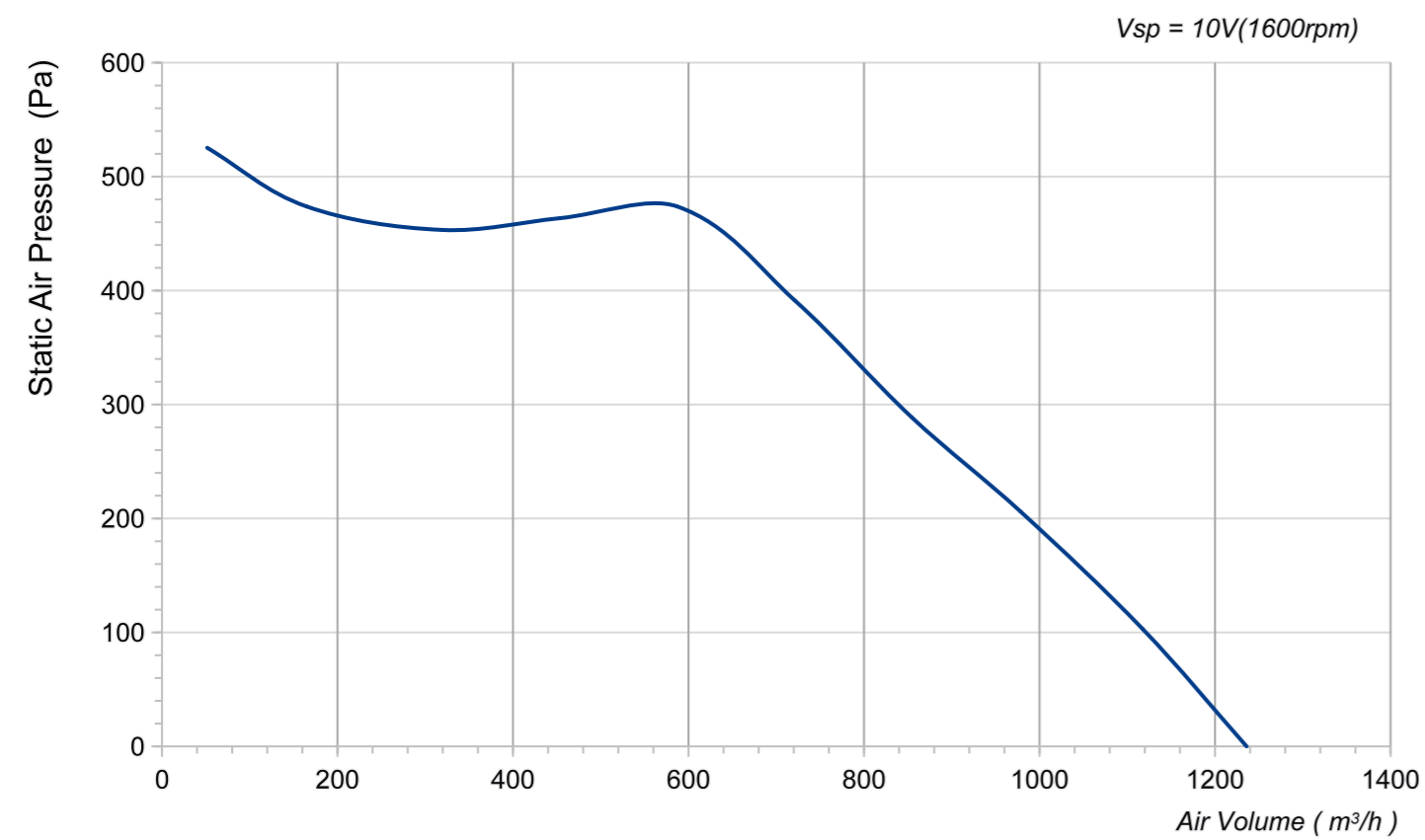
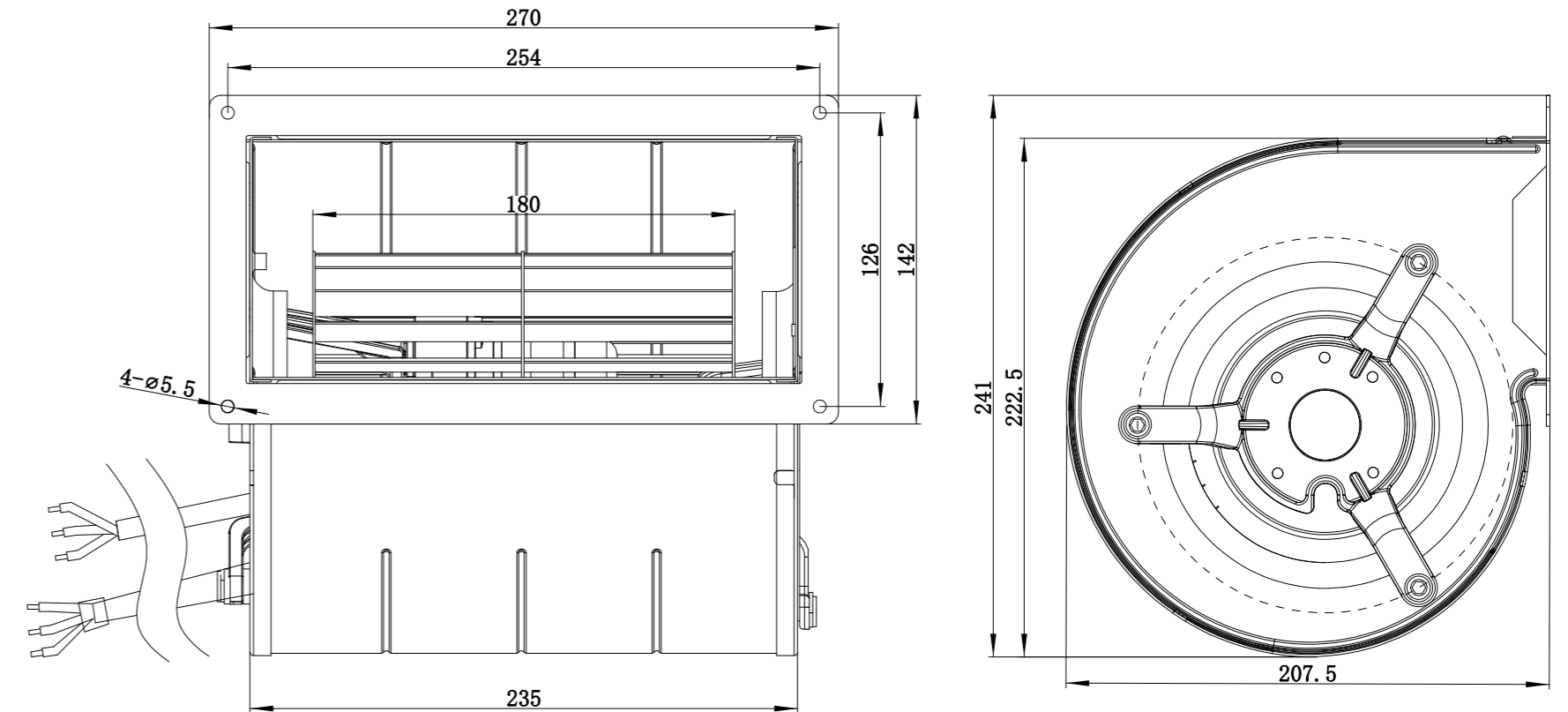
- Material : Galvanised sheet steel
- Mode of operation: S1
- Type of operation: IP54
- Insulation class: F
- Bearing: Maintenance-free ball bearings
- Operation Temperature: -30~+60 C



Technical Specifications

Model	Voltage (V)	Power (W)	Current (A)	Speed (RPM)	Air Flow (m³/h)	Air Pressure (Pa)	Noise [dB(A)]	Curve
LWFD3G146-092DZ-03	310	185	0.63	1600	1236	525	70	/

Product Drawing (mm)



LWFD-197 Series

Product Characteristic

- Material : Galvanised sheet steel
- Mode of operation: S1
- Type of operation: IP54
- Insulation class: F
- Bearing: Maintenance-free ball bearings
- Operation Temperature: -30~+60 C



Technical Specifications

Model	Voltage (V)	Power (W)	Current (A)	Speed (RPM)	Air Flow (m³/h)	Air Pressure (Pa)	Noise [dB(A)]	Curve
LWFD3G197-072DZ-01	310	85	0.27	750	1197	525	/	/

Product Drawing (mm)

