

# ***DC Single Inlet Forward Centrifugal Blower***



# LWFD-120 Series

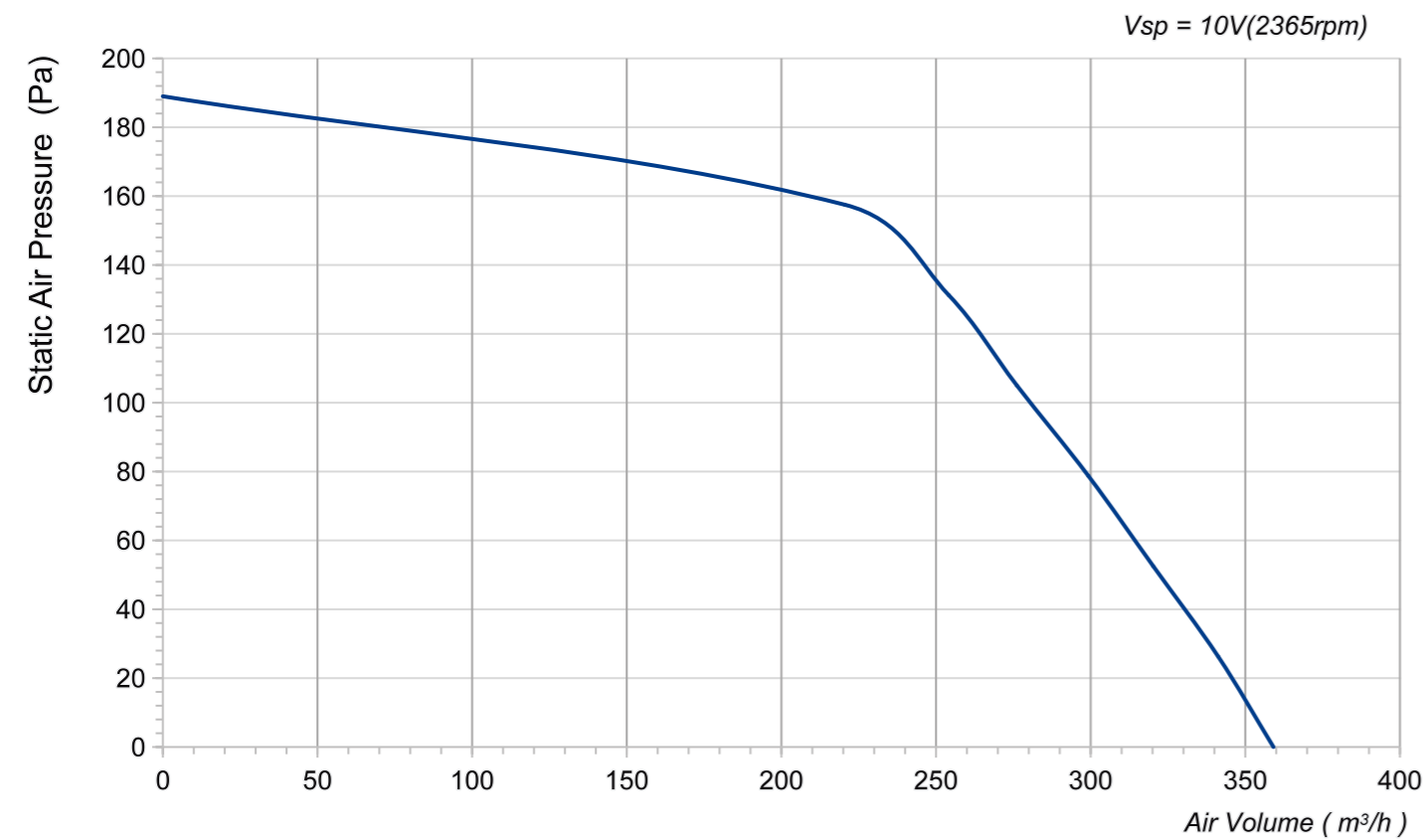
## Product Characteristic

- Material : Galvanised sheet steel
- Mode of operation: S1
- Type of operation: IP54
- Insulation class: F
- Bearing: Maintenance-free ball bearings
- Operation Temperature: -30~+60 C

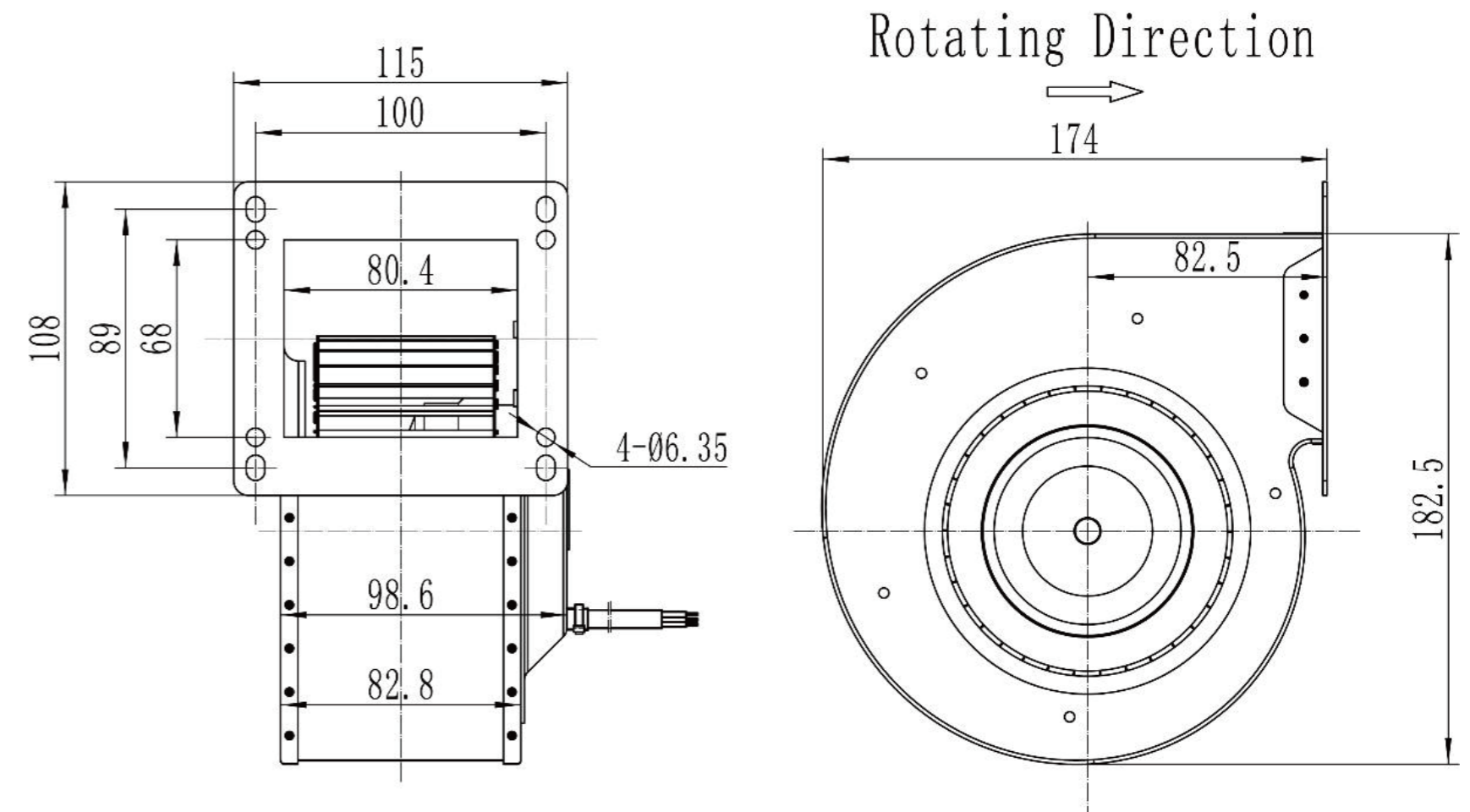


## Technical Specifications

Model	Voltage (V)	Power (W)	Current (A)	Speed (RPM)	Air Flow (m³/h)	Air Pressure (Pa)	Noise [dB(A)]	Curve
LWFD3G120-072SH-01	48	67	1.4	2365	359	189	/	/



## Product Drawing (mm)



# LWFD-120 Series

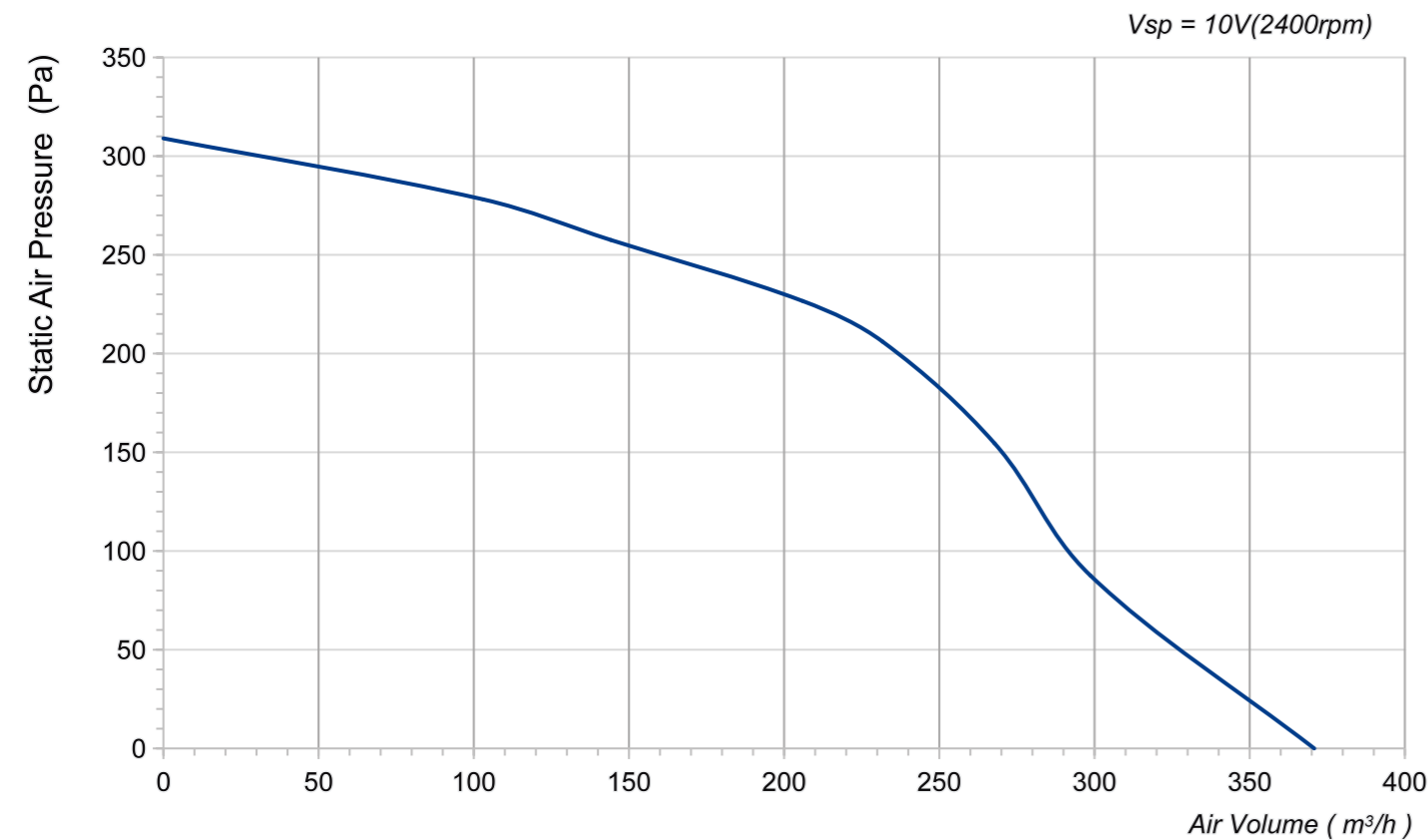
## Product Characteristic

- Material : Plastics PA66
- Mode of operation: S1
- Type of operation: IP54
- Insulation class: B
- Bearing: Maintenance-free ball bearings
- Operation Temperature: -30~+60 C

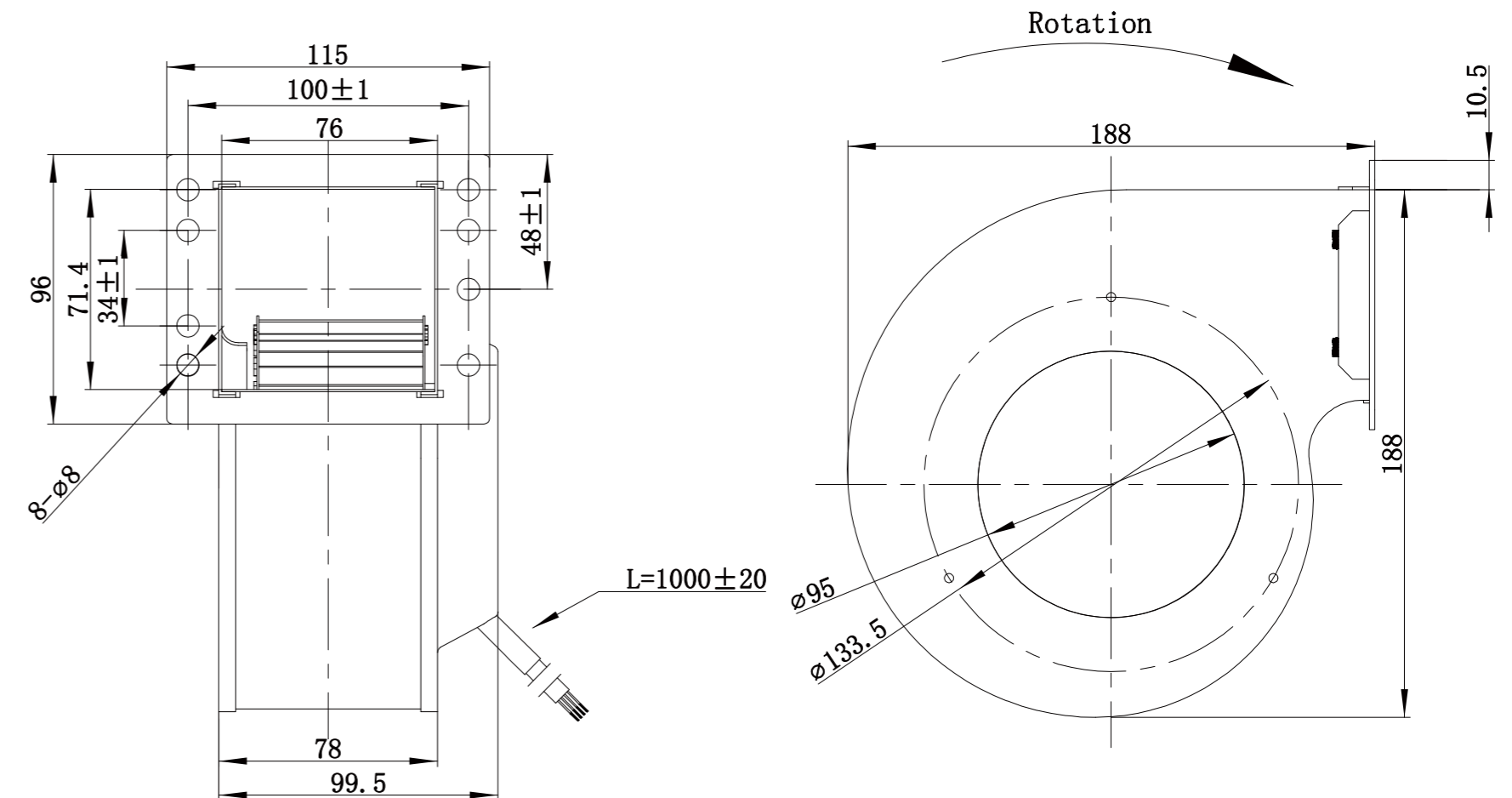


## Technical Specifications

Model	Voltage (V)	Power (W)	Current (A)	Speed (RPM)	Air Flow (m³/h)	Air Pressure (Pa)	Noise [dB(A)]	Curve
LWFD3G120-072SM-01	24	95	3.96	2400	371	309	60	/
LWFD3G120-072SH-02	48	95	1.98	2400	371	309	60	/



## Product Drawing (mm)



# LWFD-120 Series

## Product Characteristic

- Material : Plastics PA66
- Mode of operation: S1
- Type of operation: IP54
- Insulation class: B
- Bearing: Maintenance-free ball bearings
- Operation Temperature: -30~+60 C

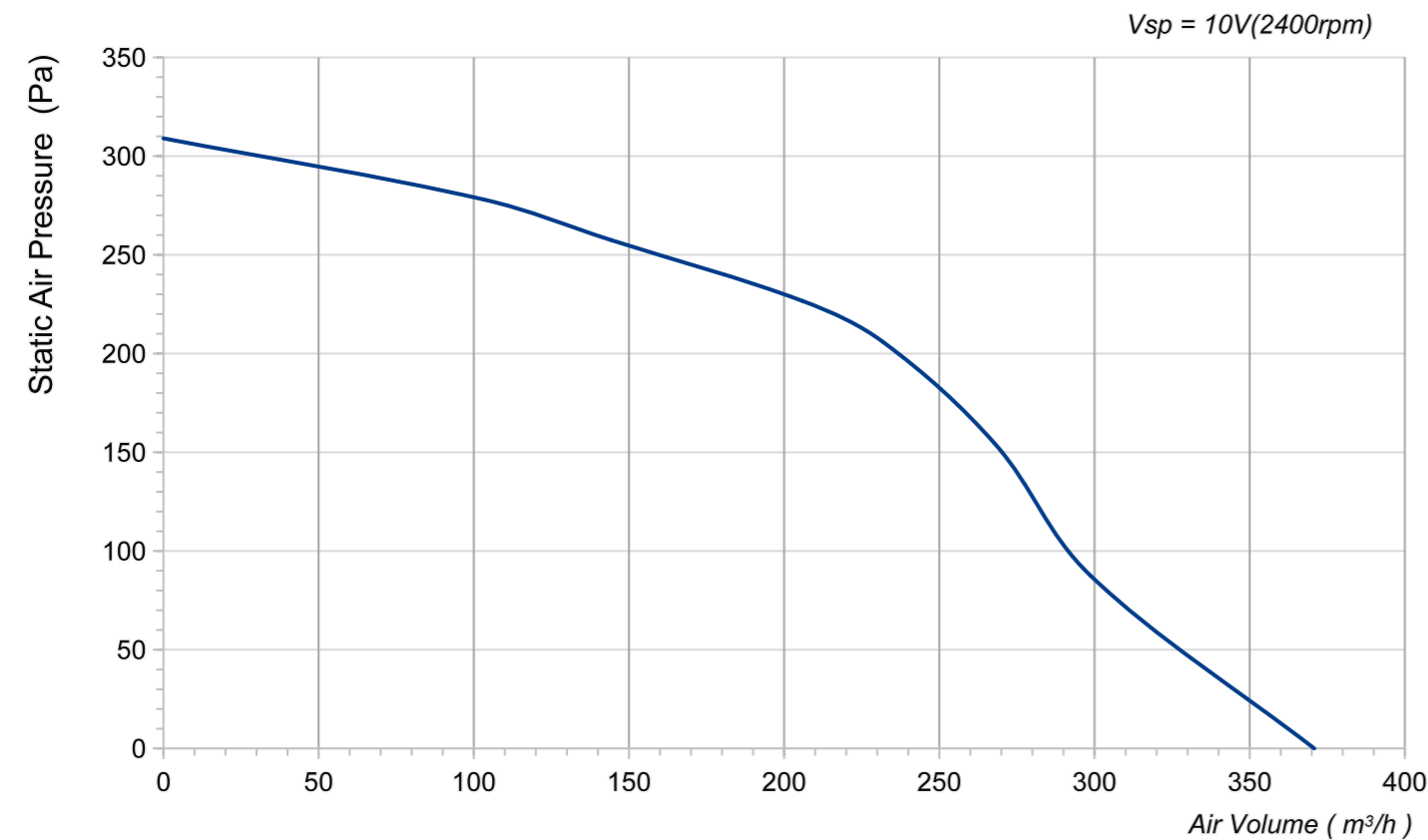
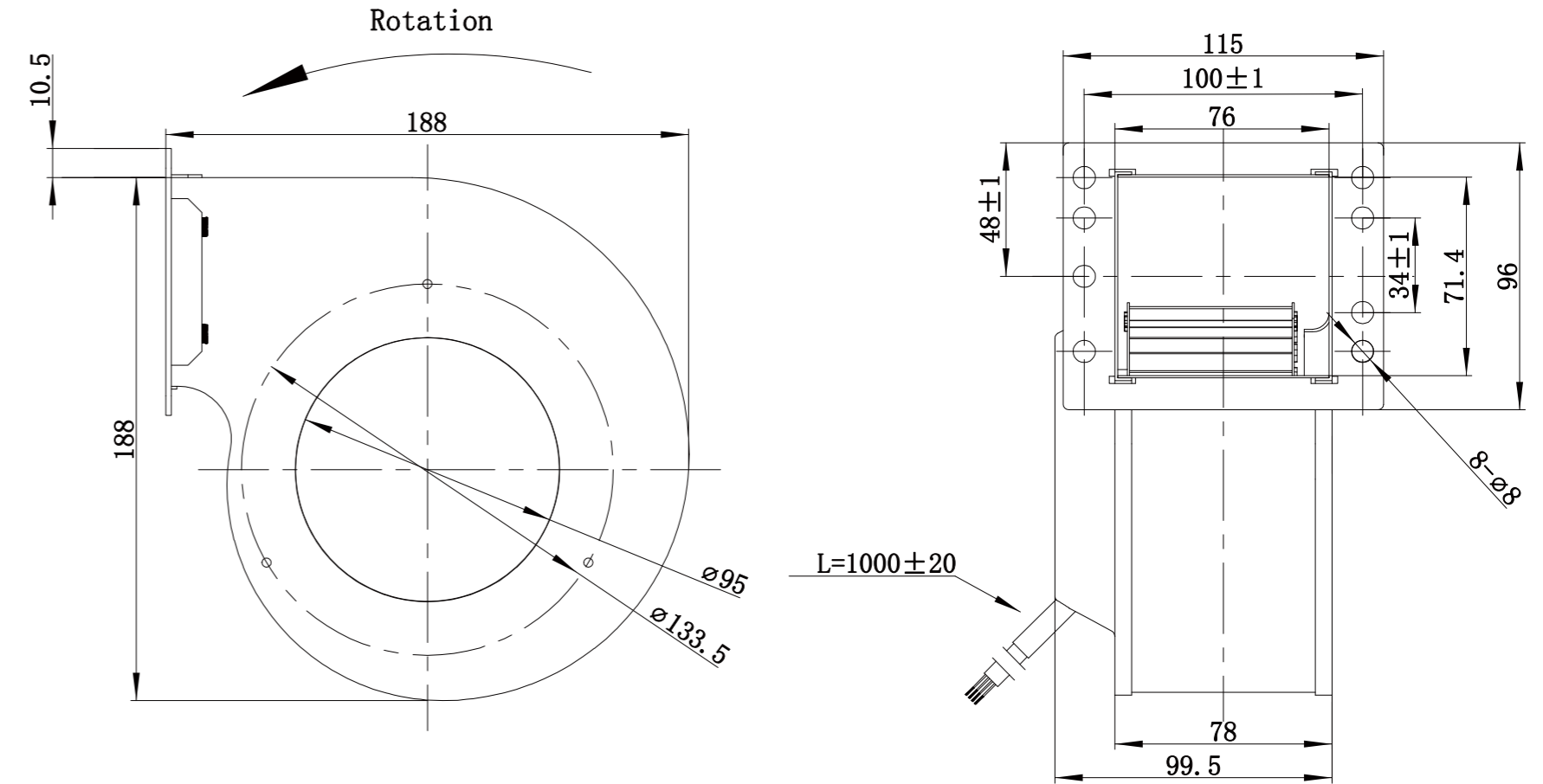


## Technical Specifications

Model	Voltage (V)	Power (W)	Current (A)	Speed (RPM)	Air Flow (m³/h)	Air Pressure (Pa)	Noise [dB(A)]	Curve
LWFD3G120-072SM-02	24	95	3.96	2400	371	309	60	/
LWFD3G120-072SH-03	48	95	1.98	2400	371	309	60	/



## Product Drawing (mm)



# LWFD-133 Series

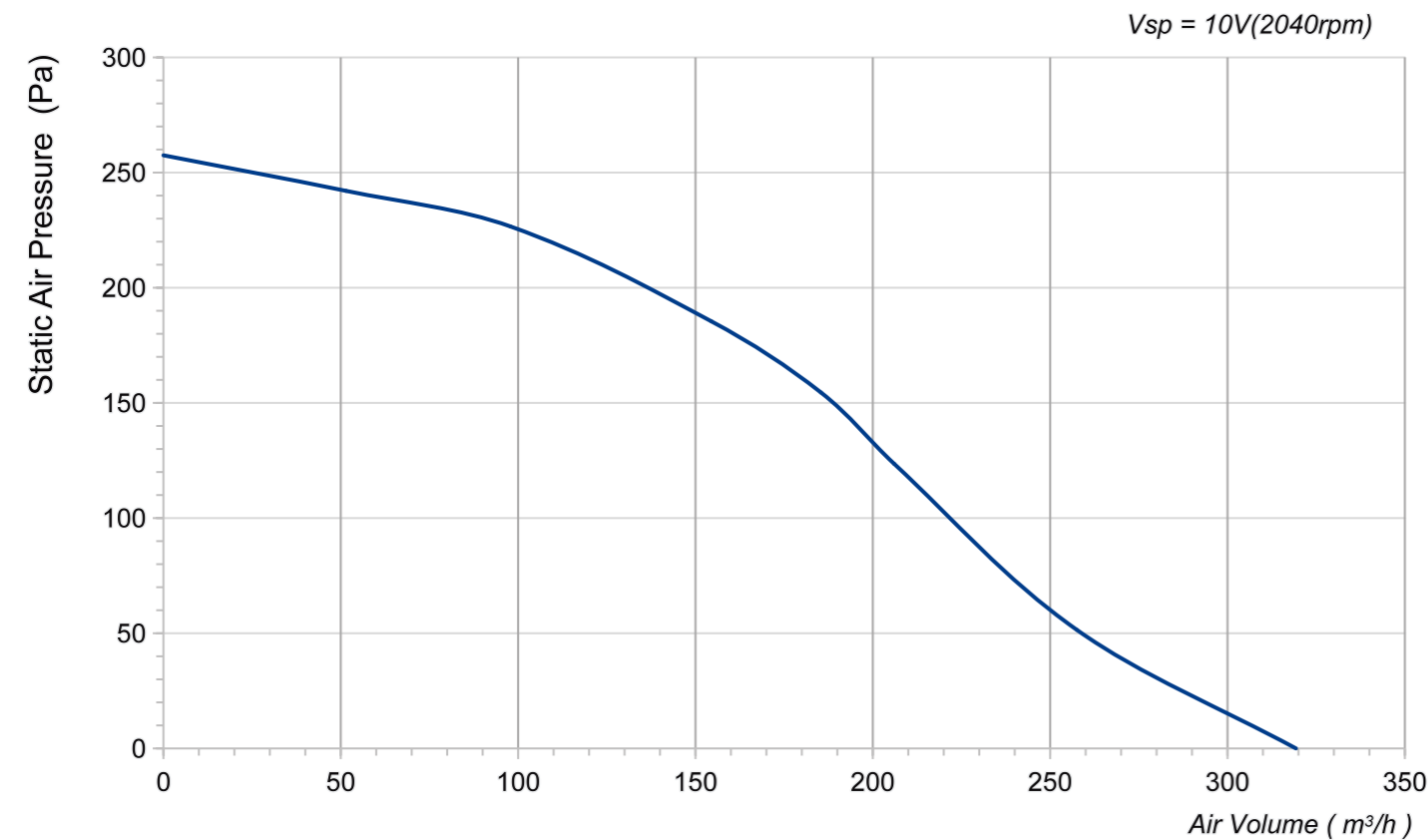
## Product Characteristic

- Material : Plastics PA66
- Mode of operation: S1
- Type of operation: IP54
- Insulation class: B
- Bearing: Maintenance-free ball bearings
- Operation Temperature: -30~+60 C

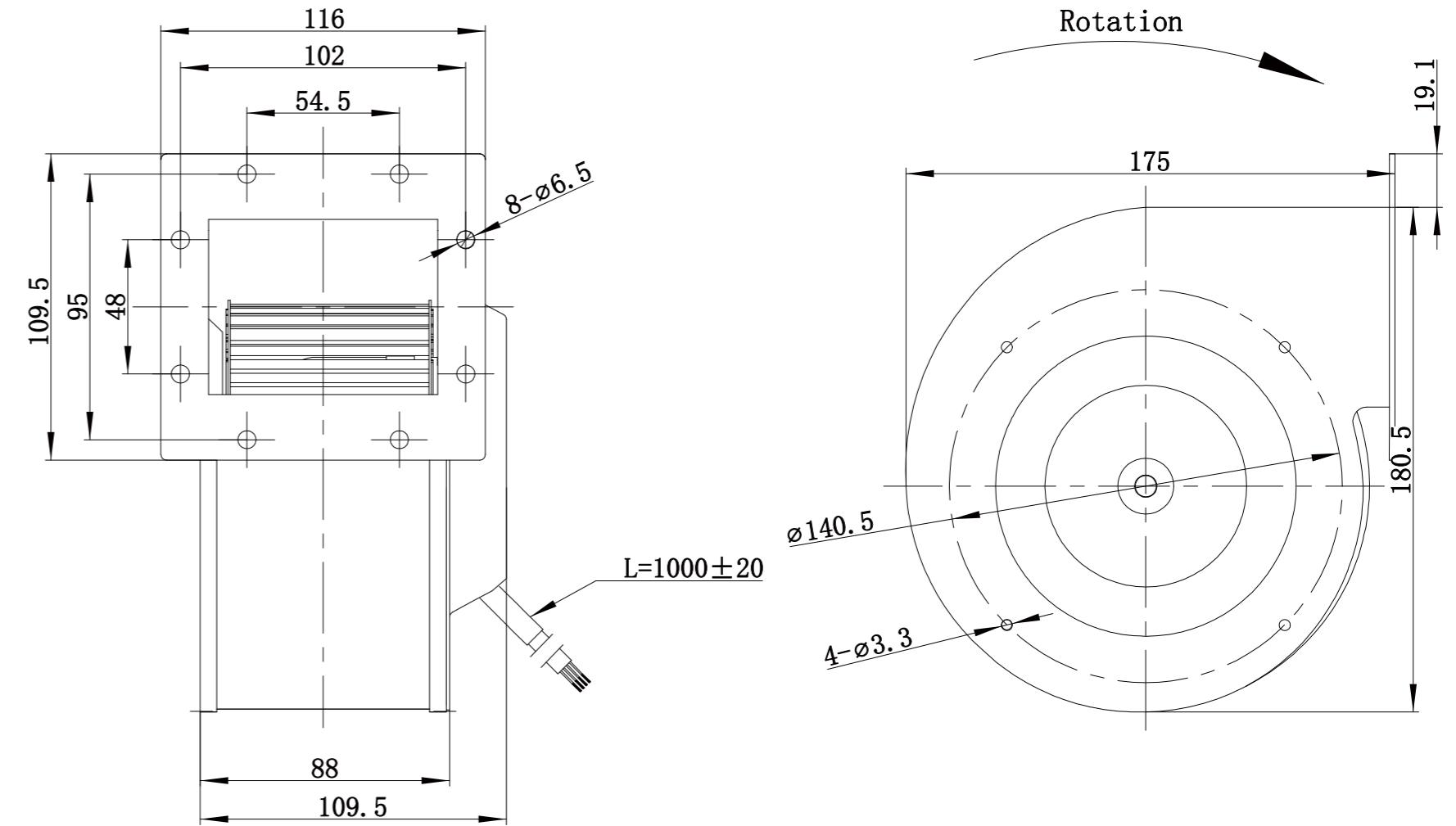


## Technical Specifications

Model	Voltage (V)	Power (W)	Current (A)	Speed (RPM)	Air Flow (m³/h)	Air Pressure (Pa)	Noise [dB(A)]	Curve
LWFD3G133-072SM-01	24	48	2	2040	319	258	63	/
LWFD3G133-072SH-01	48	48	1	2040	319	258	63	/



## Product Drawing (mm)



# LWFD-140 Series

## Product Characteristic

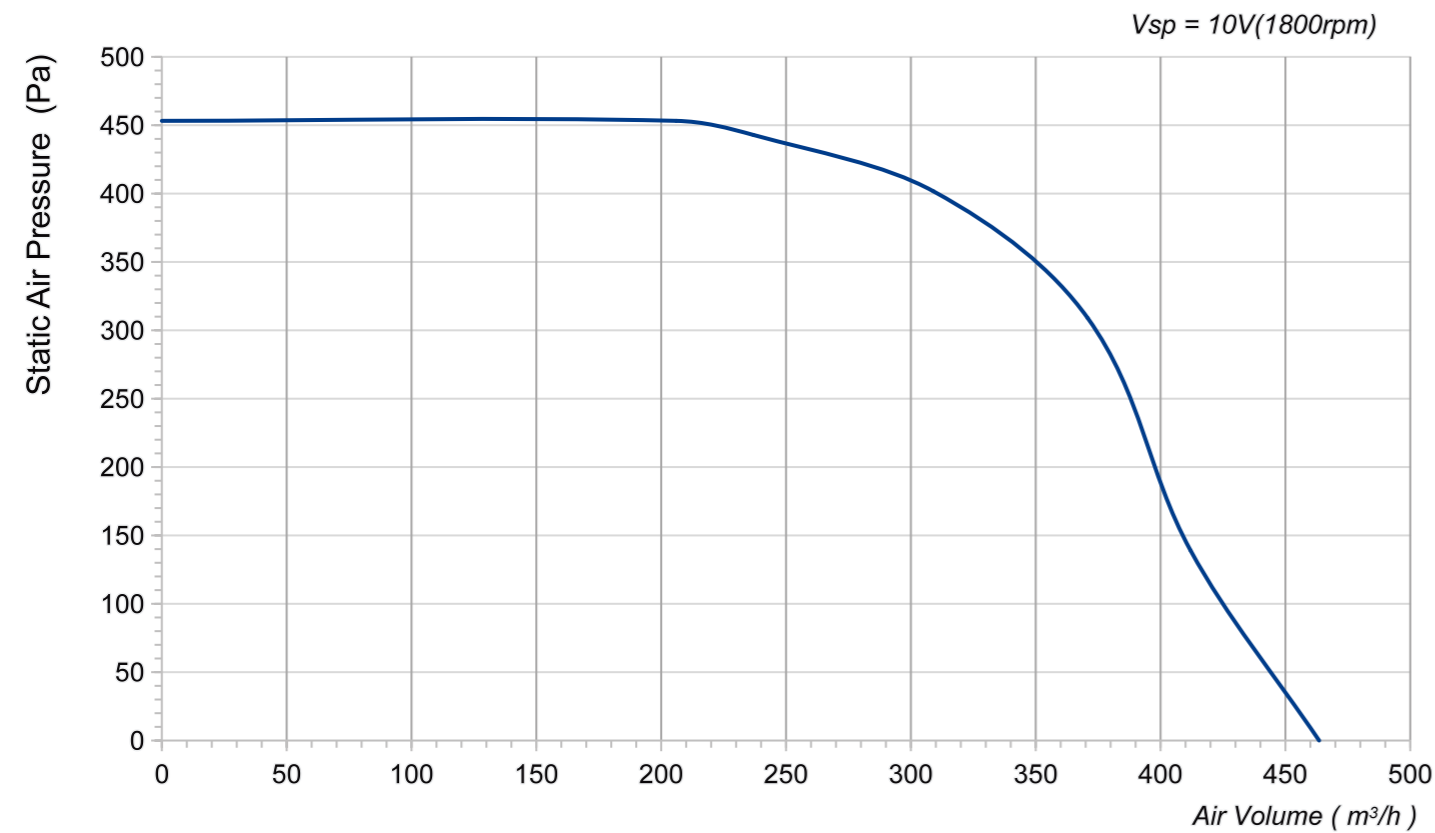
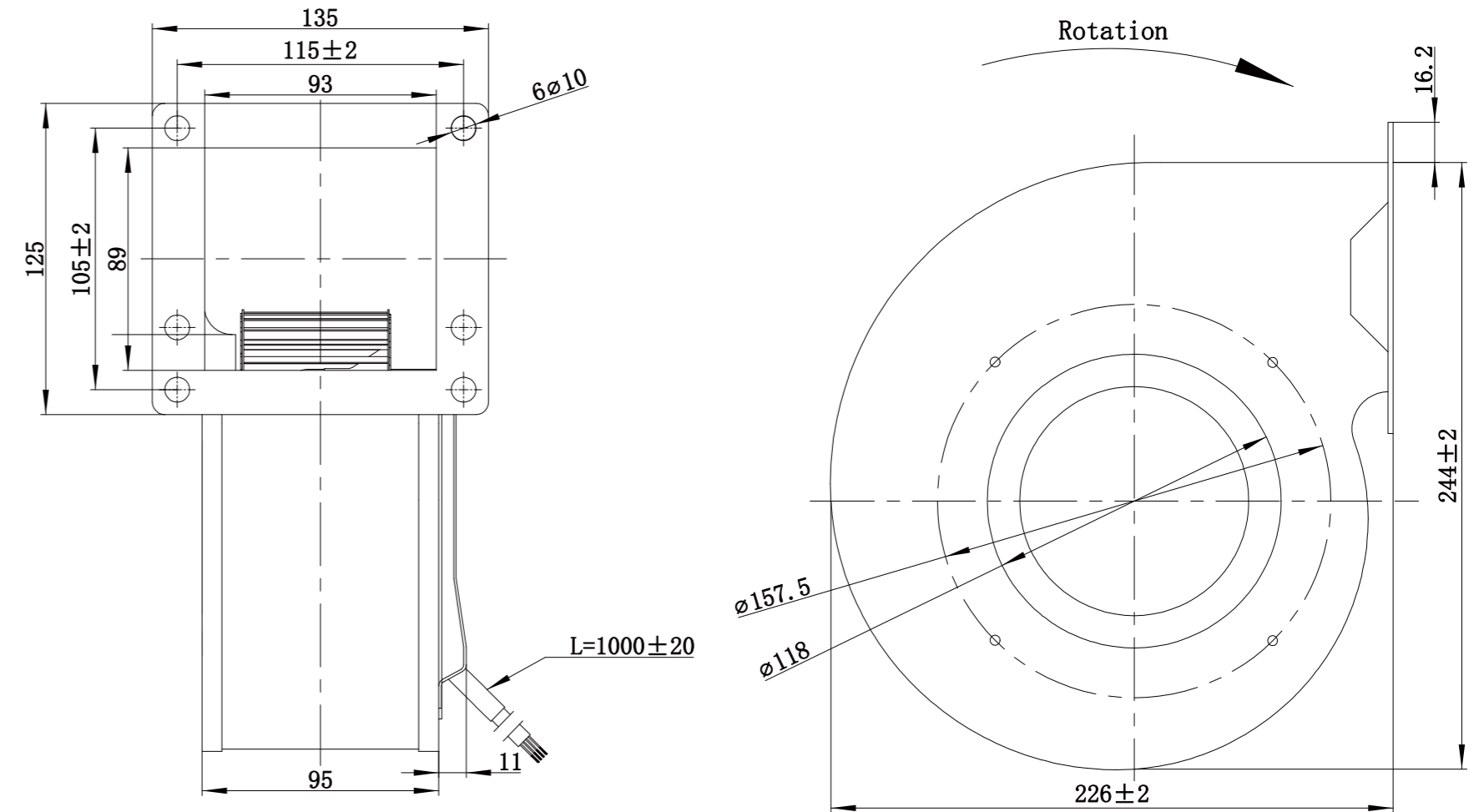
- Material : Plastics PA66
- Mode of operation: S1
- Type of operation: IP54
- Insulation class: B
- Bearing: Maintenance-free ball bearings
- Operation Temperature: -30~+60 C



## Technical Specifications

Model	Voltage (V)	Power (W)	Current (A)	Speed (RPM)	Air Flow (m³/h)	Air Pressure (Pa)	Noise [dB(A)]	Curve
LWFD3G140-072SM-01	24	80	3.3	1800	464	453	65	/
LWFD3G140-072SH-01	48	80	1.67	1800	464	453	65	/

## Product Drawing (mm)



# LWFD-140 Series

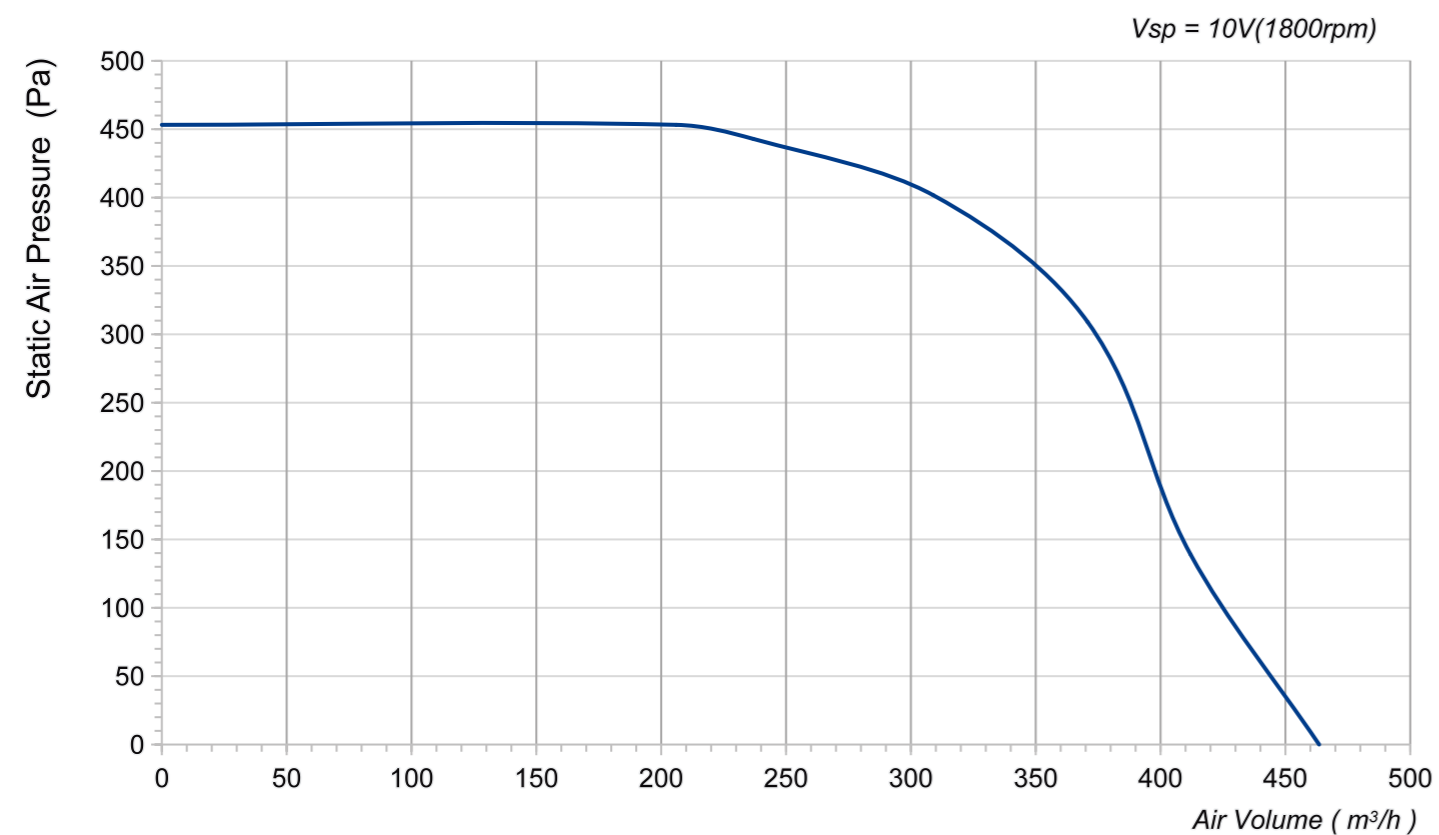
## Product Characteristic

- Material : Plastics PA66
- Mode of operation: S1
- Type of operation: IP54
- Insulation class: B
- Bearing: Maintenance-free ball bearings
- Operation Temperature: -30~+60 C

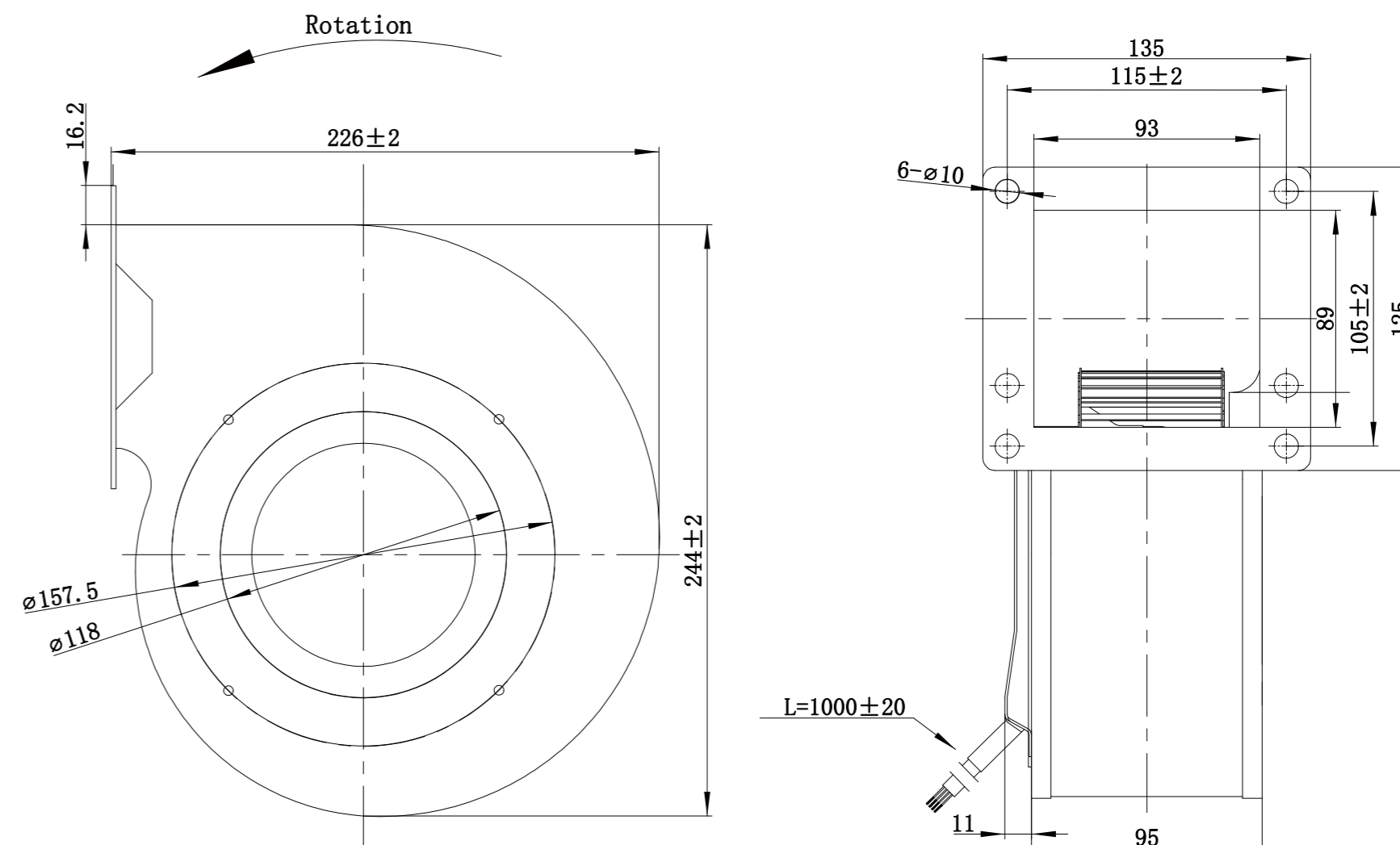


## Technical Specifications

Model	Voltage (V)	Power (W)	Current (A)	Speed (RPM)	Air Flow (m³/h)	Air Pressure (Pa)	Noise [dB(A)]	Curve
LWFD3G140-072SM-02	24	80	3.3	1800	464	453	65	/
LWFD3G140-072SH-02	48	80	1.67	1800	464	453	65	/



## Product Drawing (mm)



# LWFD-160 Series

## Product Characteristic

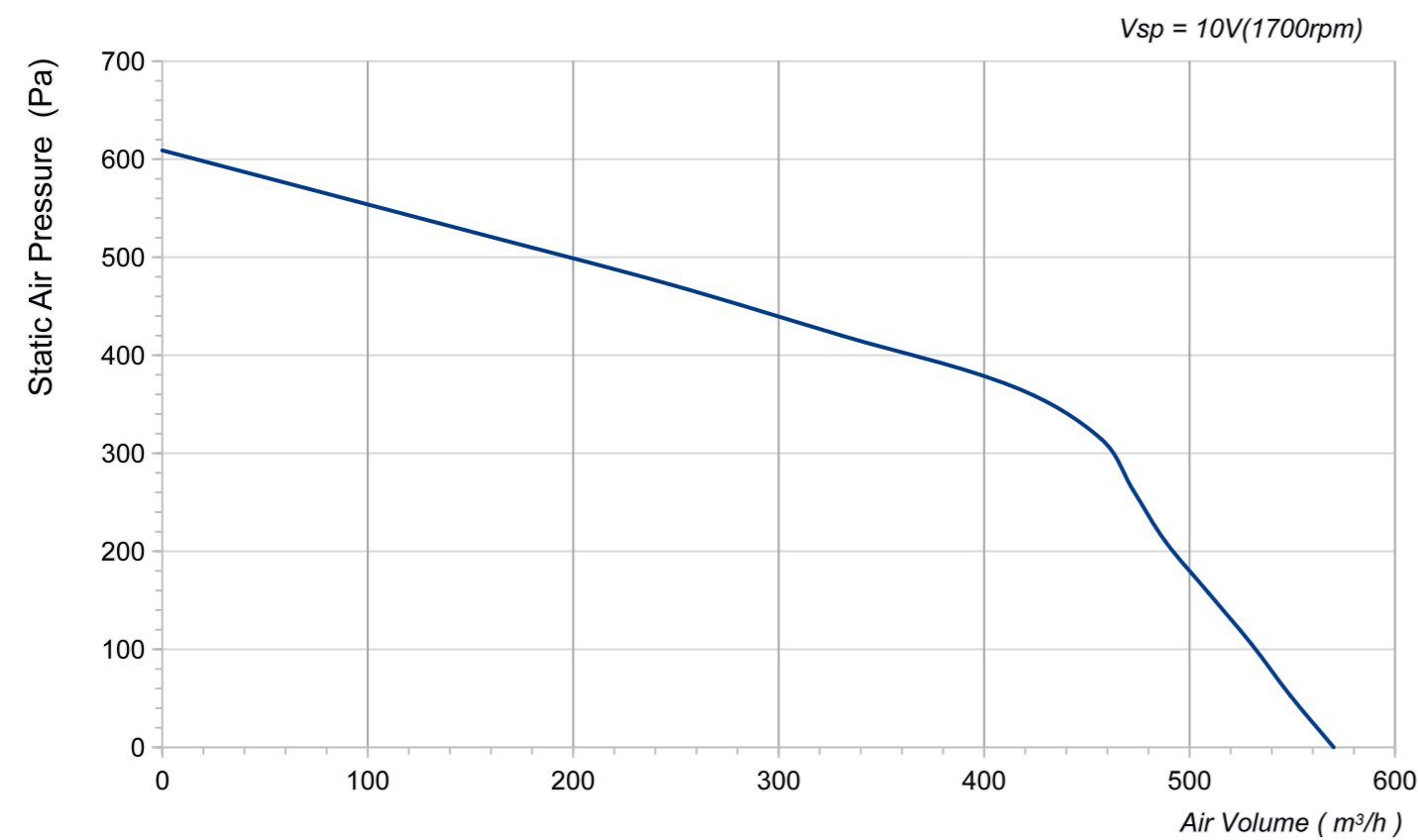
- Material : Galvanised sheet steel
- Mode of operation: S1
- Type of operation: IP54
- Insulation class: F
- Bearing: Maintenance-free ball bearings
- Operation Temperature: -30~+60 C



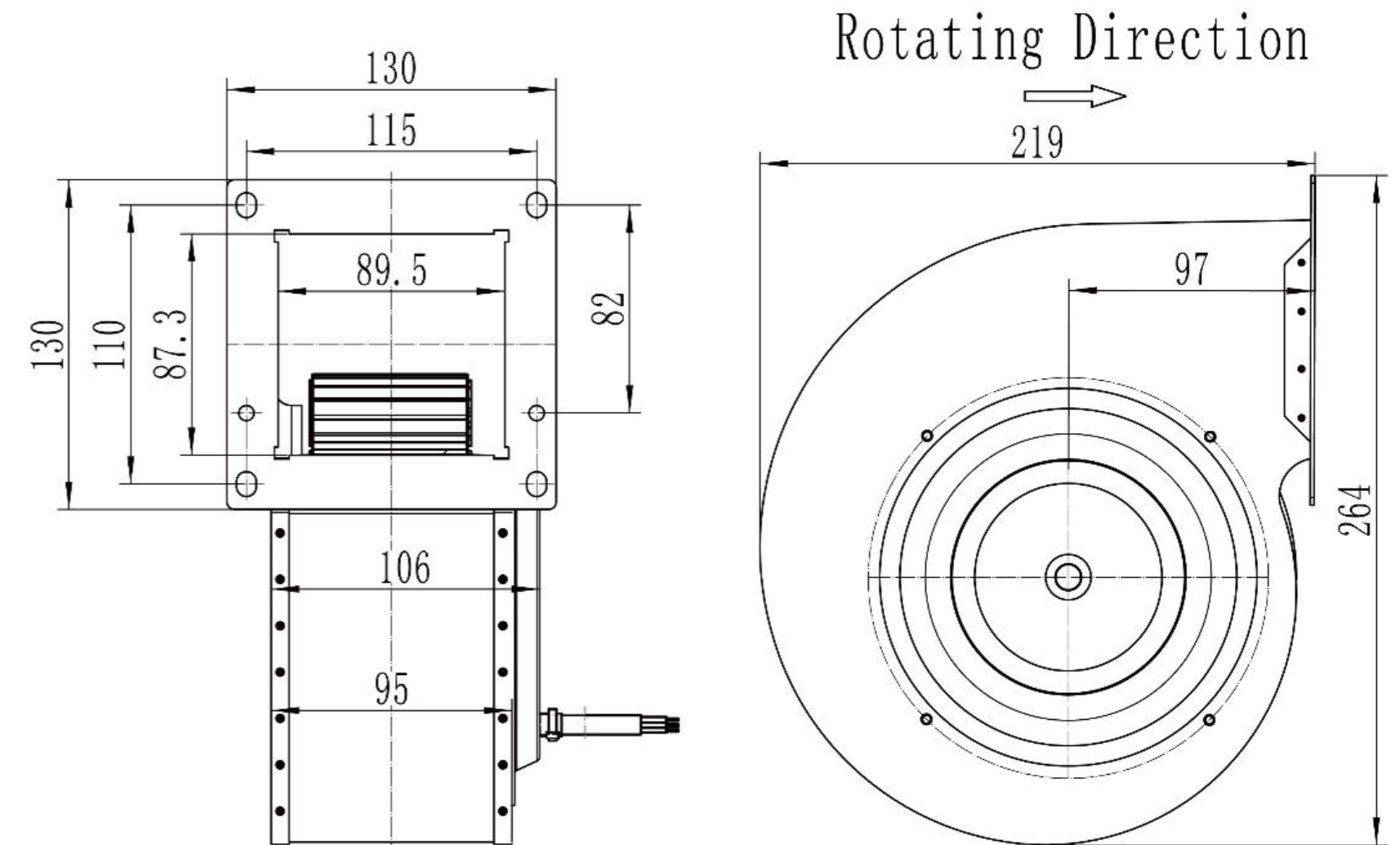
**RECOMMEND**

## Technical Specifications

Model	Voltage (V)	Power (W)	Current (A)	Speed (RPM)	Air Flow (m³/h)	Air Pressure (Pa)	Noise [dB(A)]	Curve
LWFD3G160-092SH-01	48	92	1.92	1700	570	609	/	/



## Product Drawing (mm)



# LWFD-160 Series

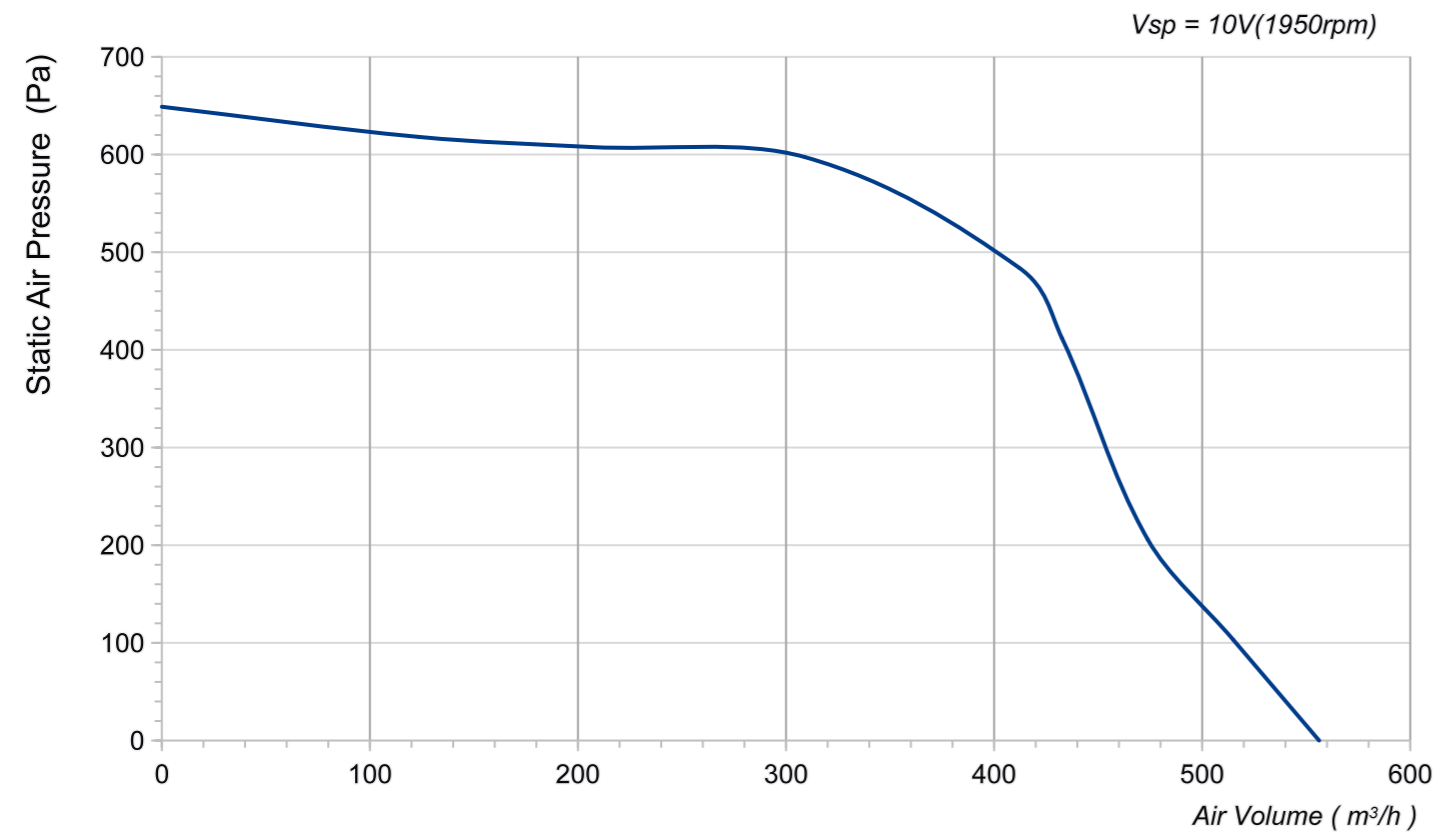
## Product Characteristic

- Material : Plastics PA66
- Mode of operation: S1
- Type of operation: IP54
- Insulation class: B
- Bearing: Maintenance-free ball bearings
- Operation Temperature: -30~+60 C

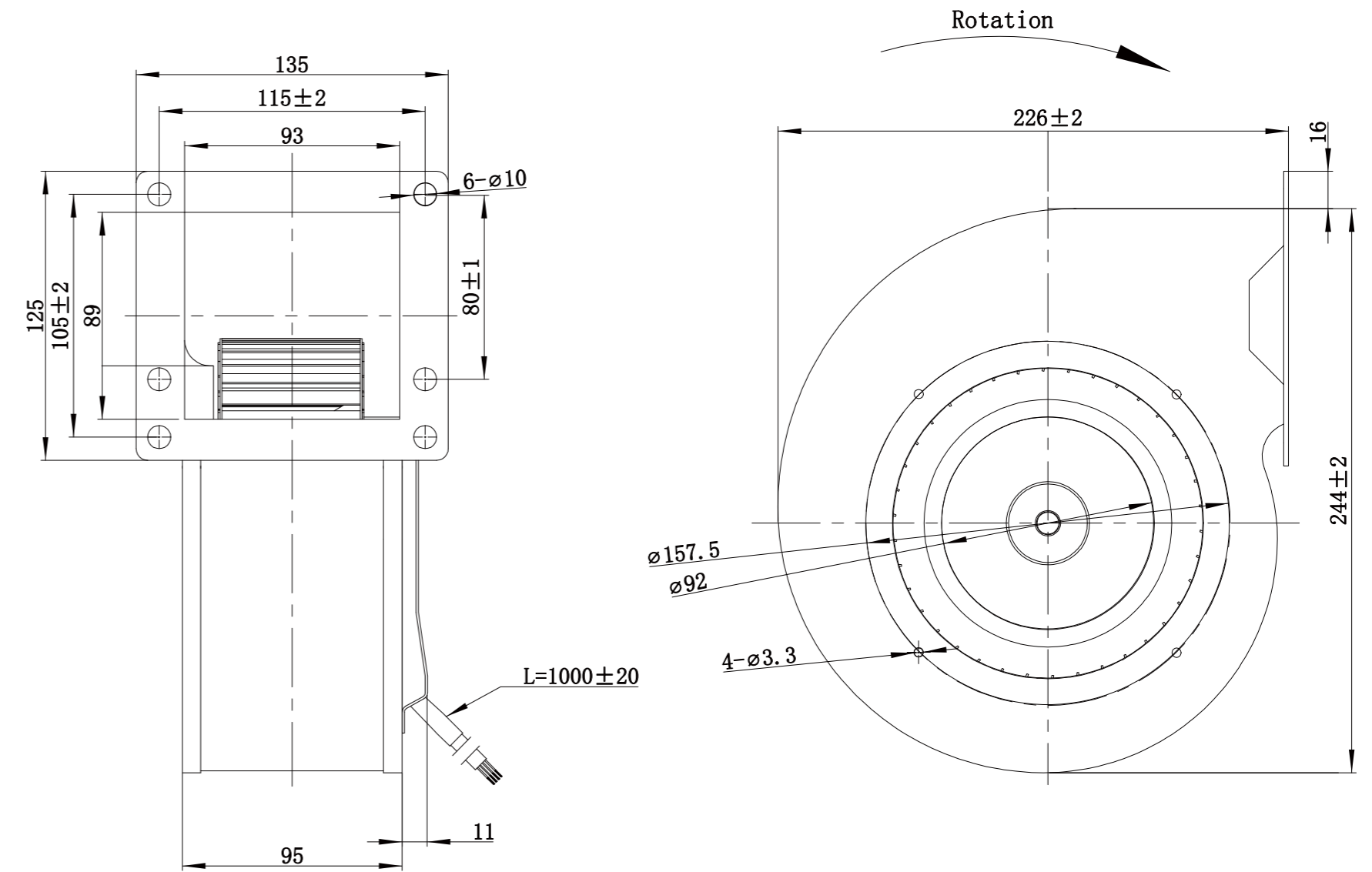


## Technical Specifications

Model	Voltage (V)	Power (W)	Current (A)	Speed (RPM)	Air Flow (m³/h)	Air Pressure (Pa)	Noise [dB(A)]	Curve
LWFD3G160-092SM-01	24	105	4.4	1950	556	649	62	/
LWFD3G160-092SH-02	48	105	2.2	1950	556	649	62	/



## Product Drawing (mm)



# LWFD-160 Series

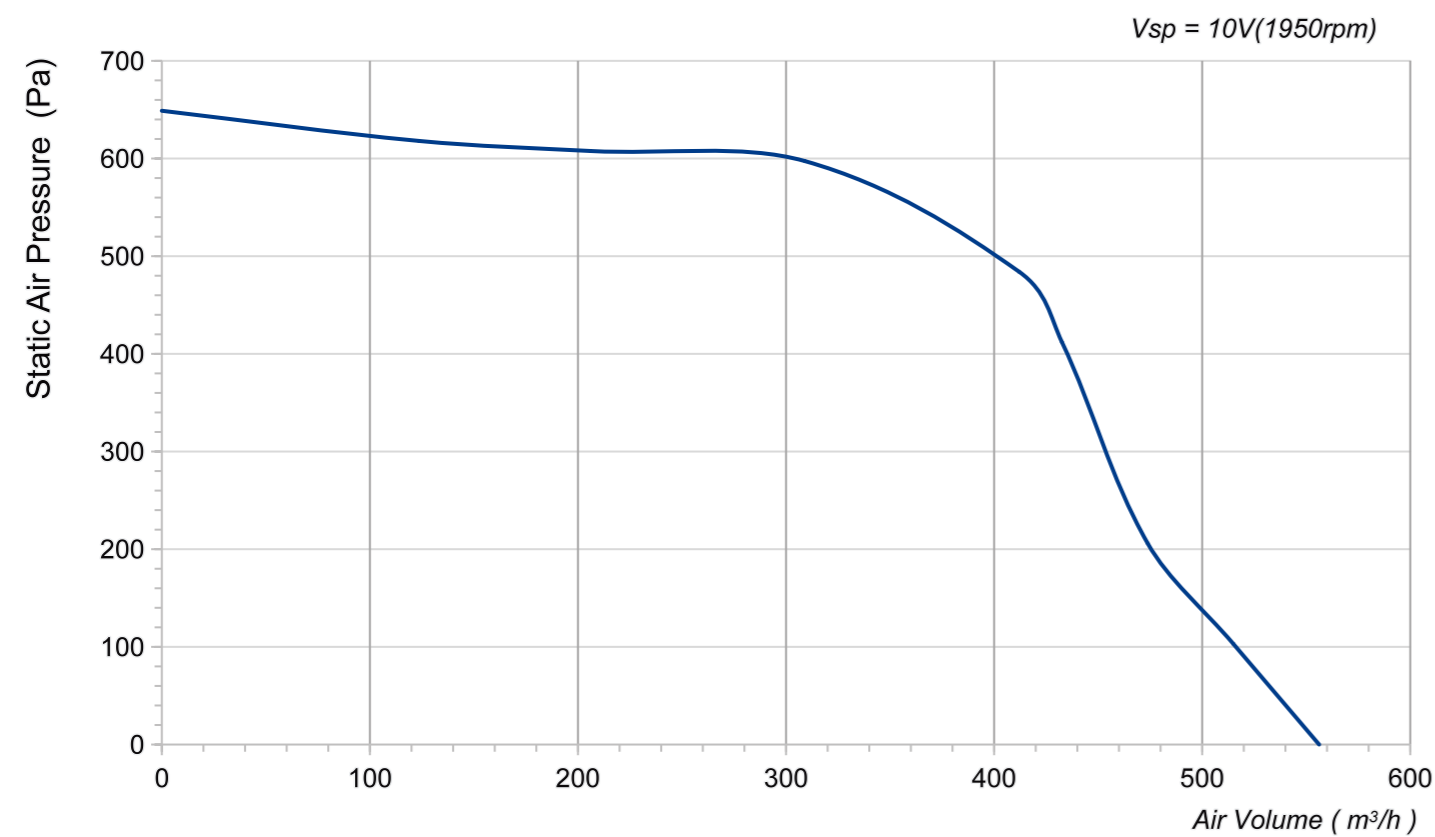
## Product Characteristic

- Material : Plastics PA66
- Mode of operation: S1
- Type of operation: IP54
- Insulation class: B
- Bearing: Maintenance-free ball bearings
- Operation Temperature: -30~+60 C

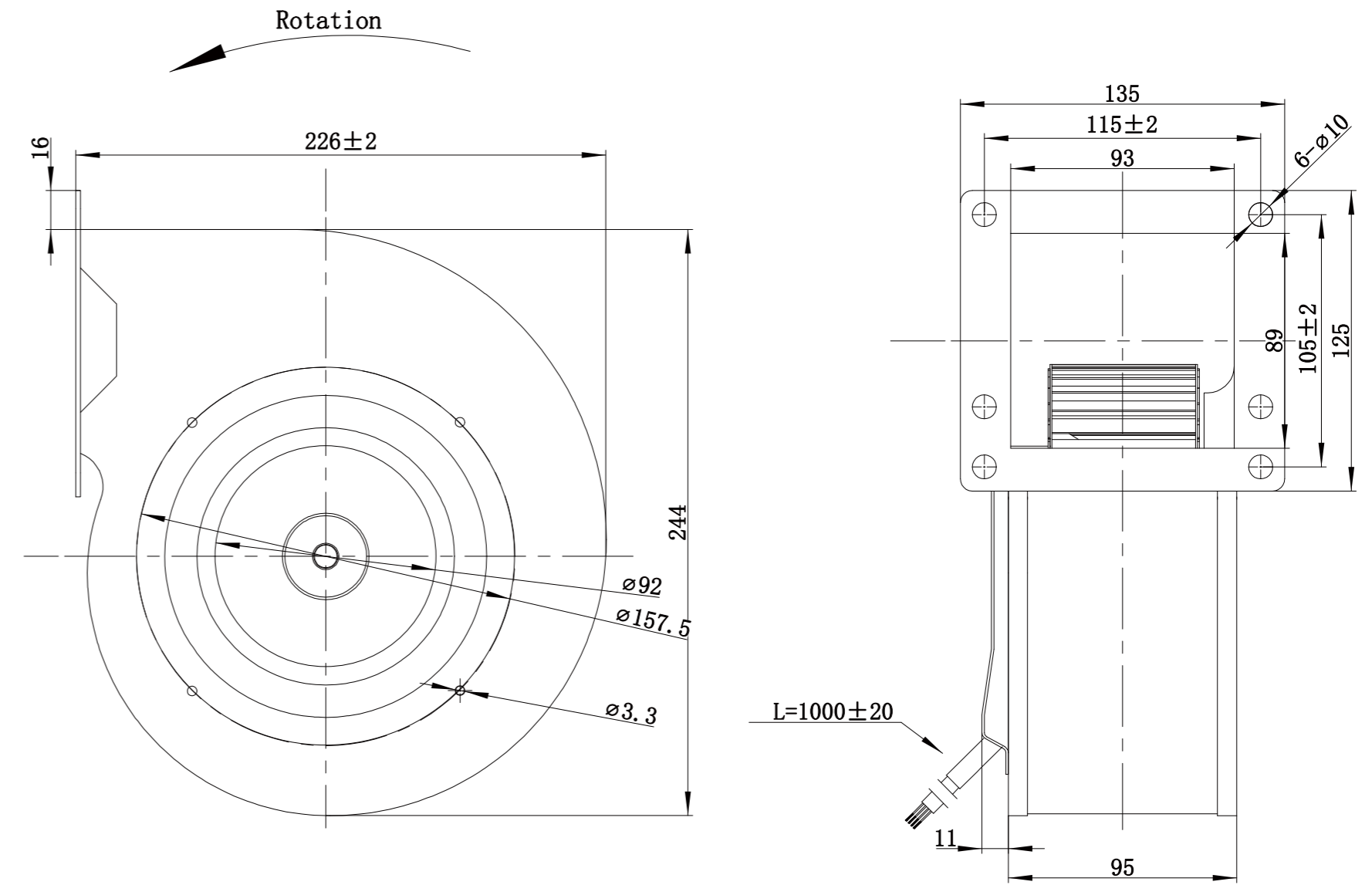


## Technical Specifications

Model	Voltage (V)	Power (W)	Current (A)	Speed (RPM)	Air Flow (m³/h)	Air Pressure (Pa)	Noise [dB(A)]	Curve
LWFD3G160-092SM-02	24	105	4.4	1950	556	649	62	/
LWFD3G160-092SH-03	48	105	2.2	1950	556	649	62	/



## Product Drawing (mm)



# LWFD-180 Series

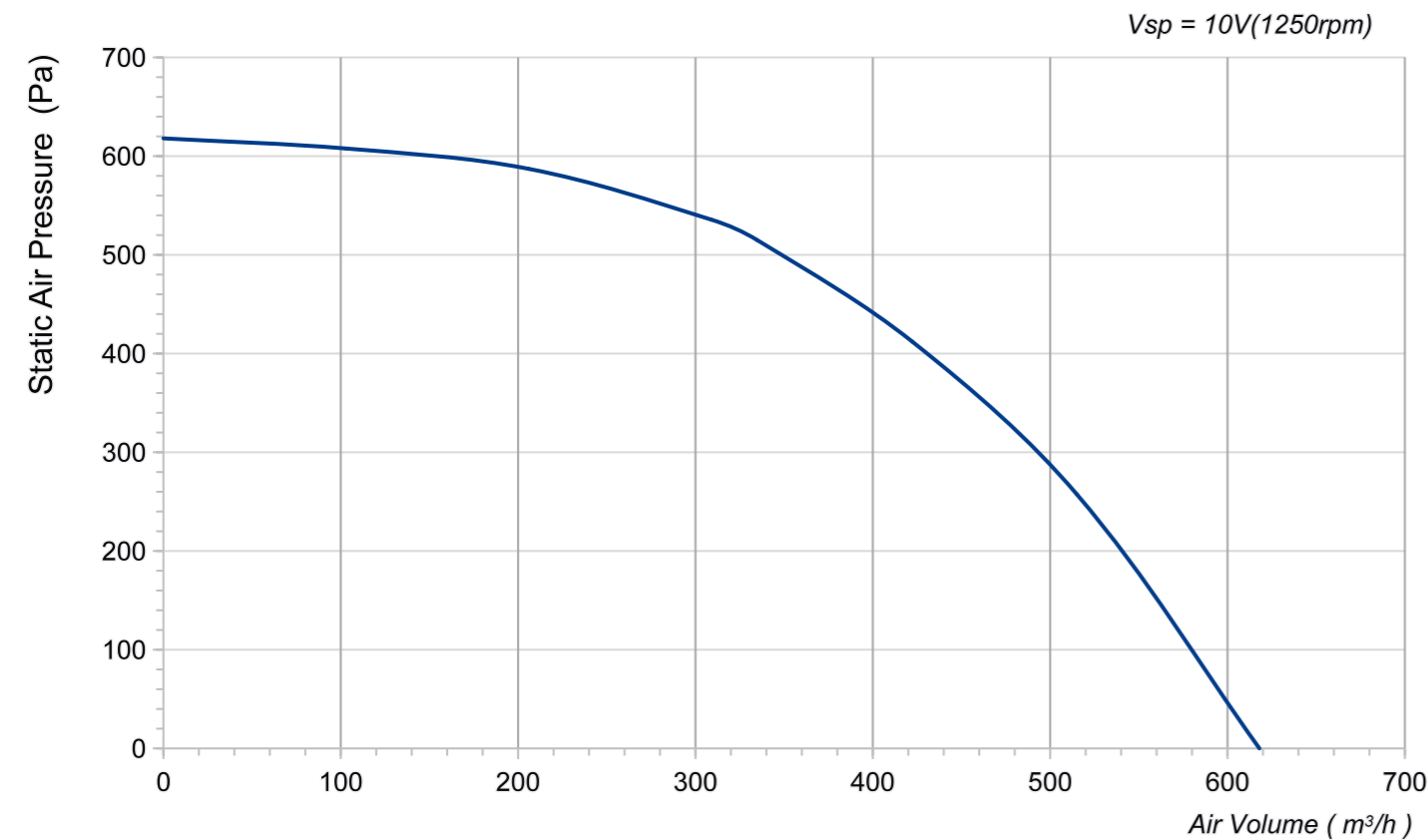
## Product Characteristic

- Material : Plastics PA66
- Mode of operation: S1
- Type of operation: IP54
- Insulation class: B
- Bearing: Maintenance-free ball bearings
- Operation Temperature: -30~+60 C

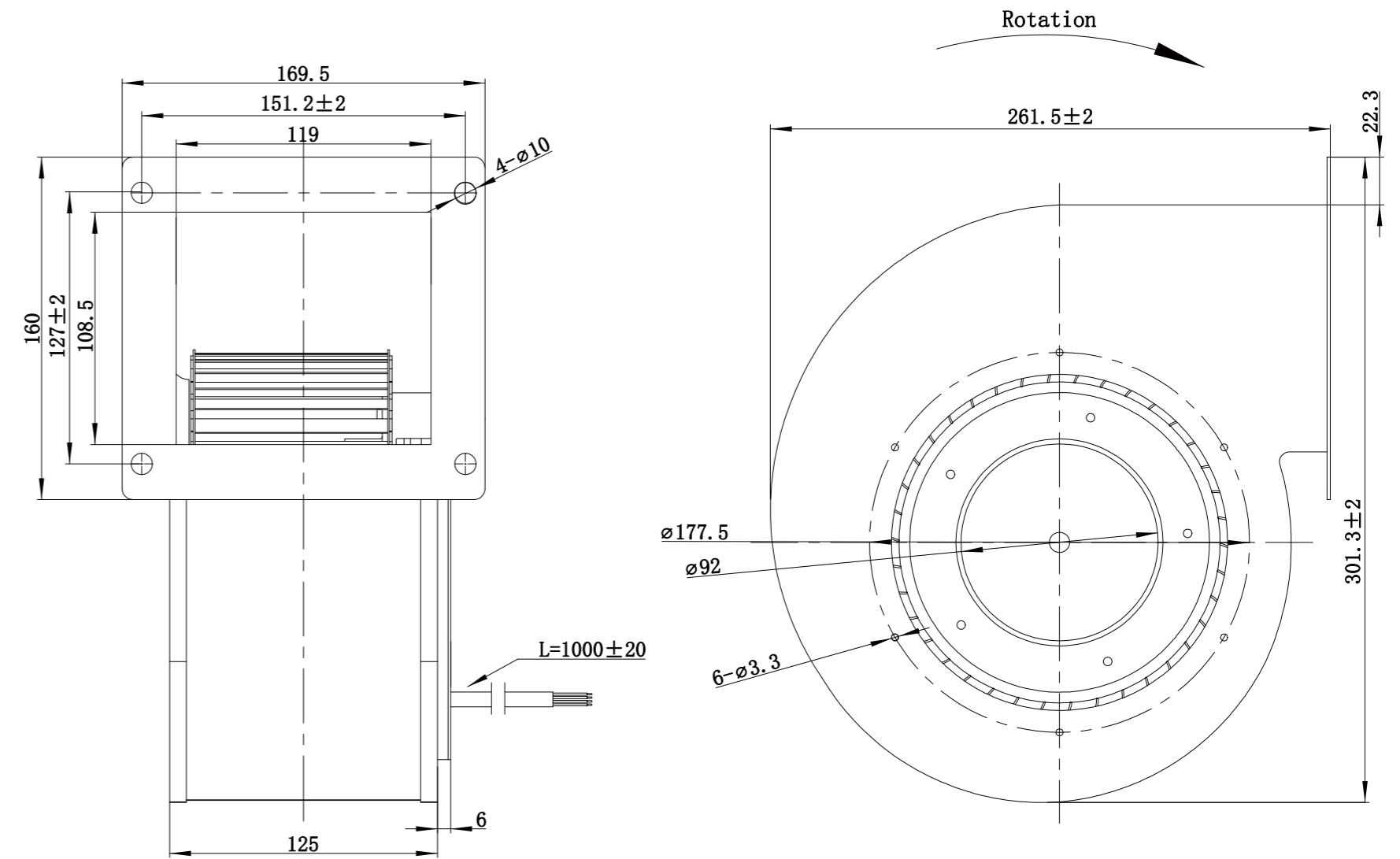


## Technical Specifications

Model	Voltage (V)	Power (W)	Current (A)	Speed (RPM)	Air Flow (m³/h)	Air Pressure (Pa)	Noise [dB(A)]	Curve
LWFD3G180-092SM-01	24	90	3.8	1250	618	618	67	/
LWFD3G180-092SH-01	48	90	1.9	1250	618	618	67	/



## Product Drawing (mm)



# LWFD-120 Series

## Product Characteristic

- Material : Plastics PA66
- Mode of operation: S1
- Type of operation: IP54
- Insulation class: B
- Bearing: Maintenance-free ball bearings
- Operation Temperature: -30~+60 C

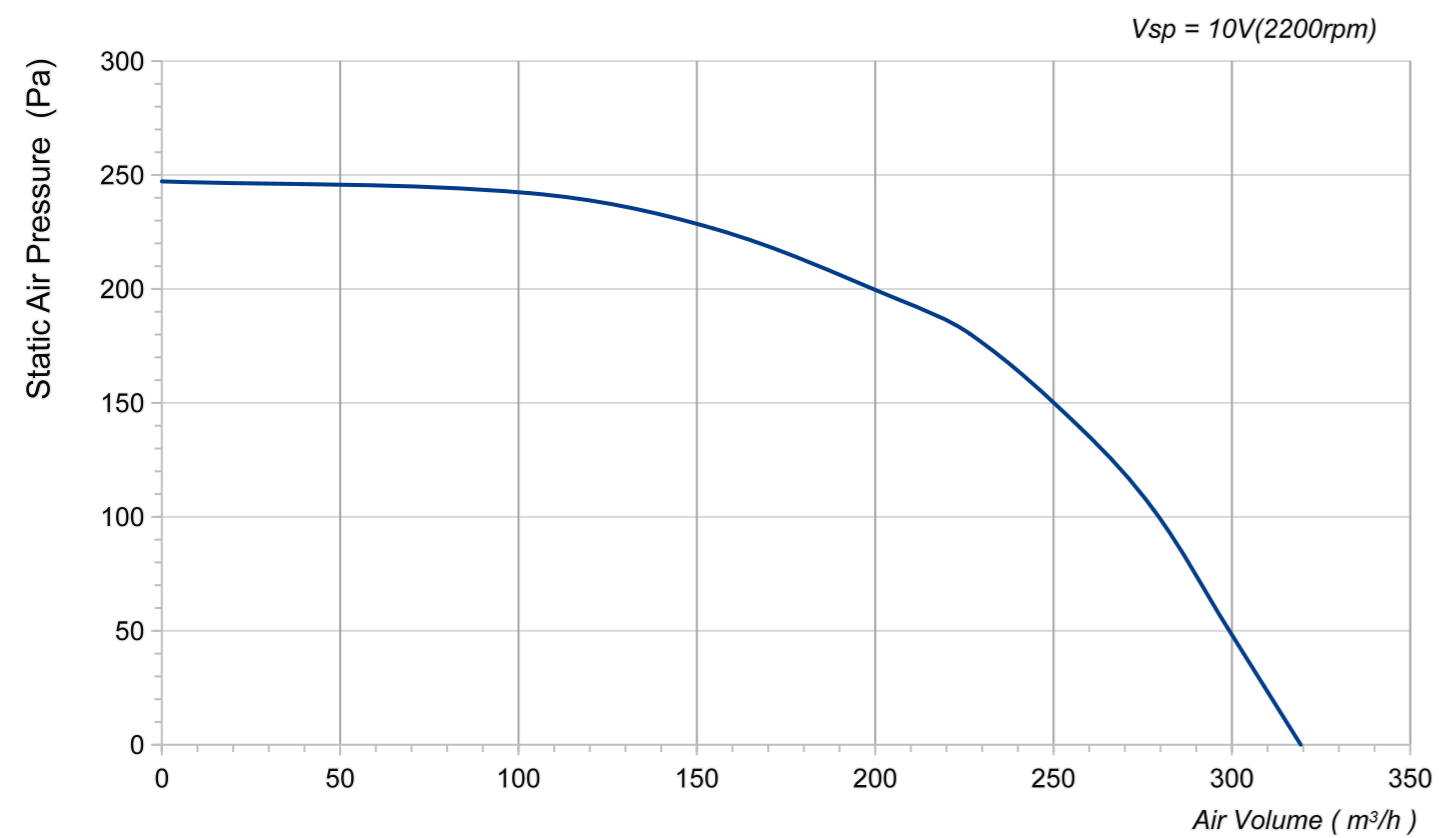
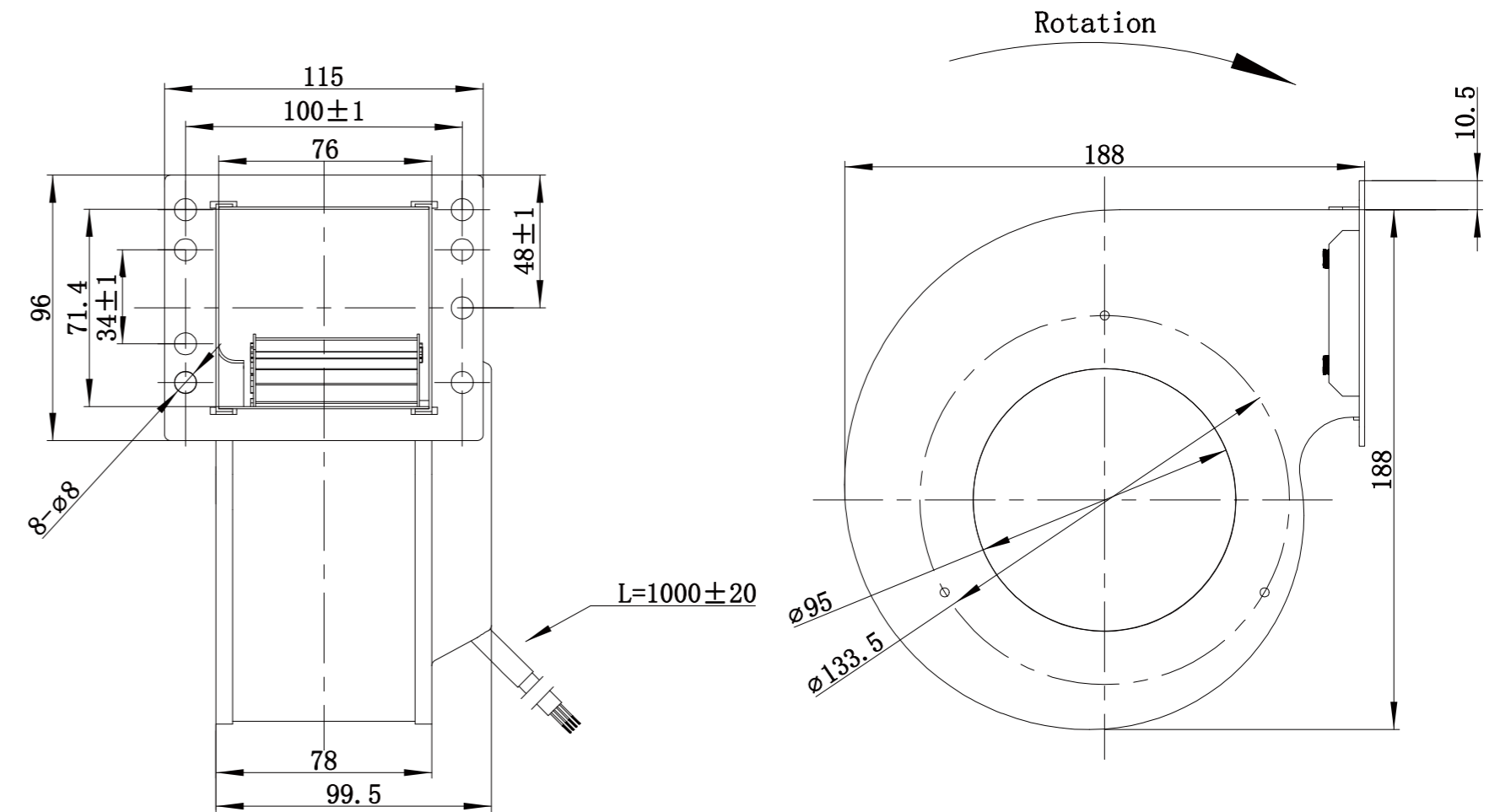


## Technical Specifications

Model	Voltage (V)	Power (W)	Current (A)	Speed (RPM)	Air Flow (m³/h)	Air Pressure (Pa)	Noise [dB(A)]	Curve
LWFD3G120-072SZ-01	310	65	0.21	2200	319	247	57	/



## Product Drawing (mm)



# LWFD-120 Series

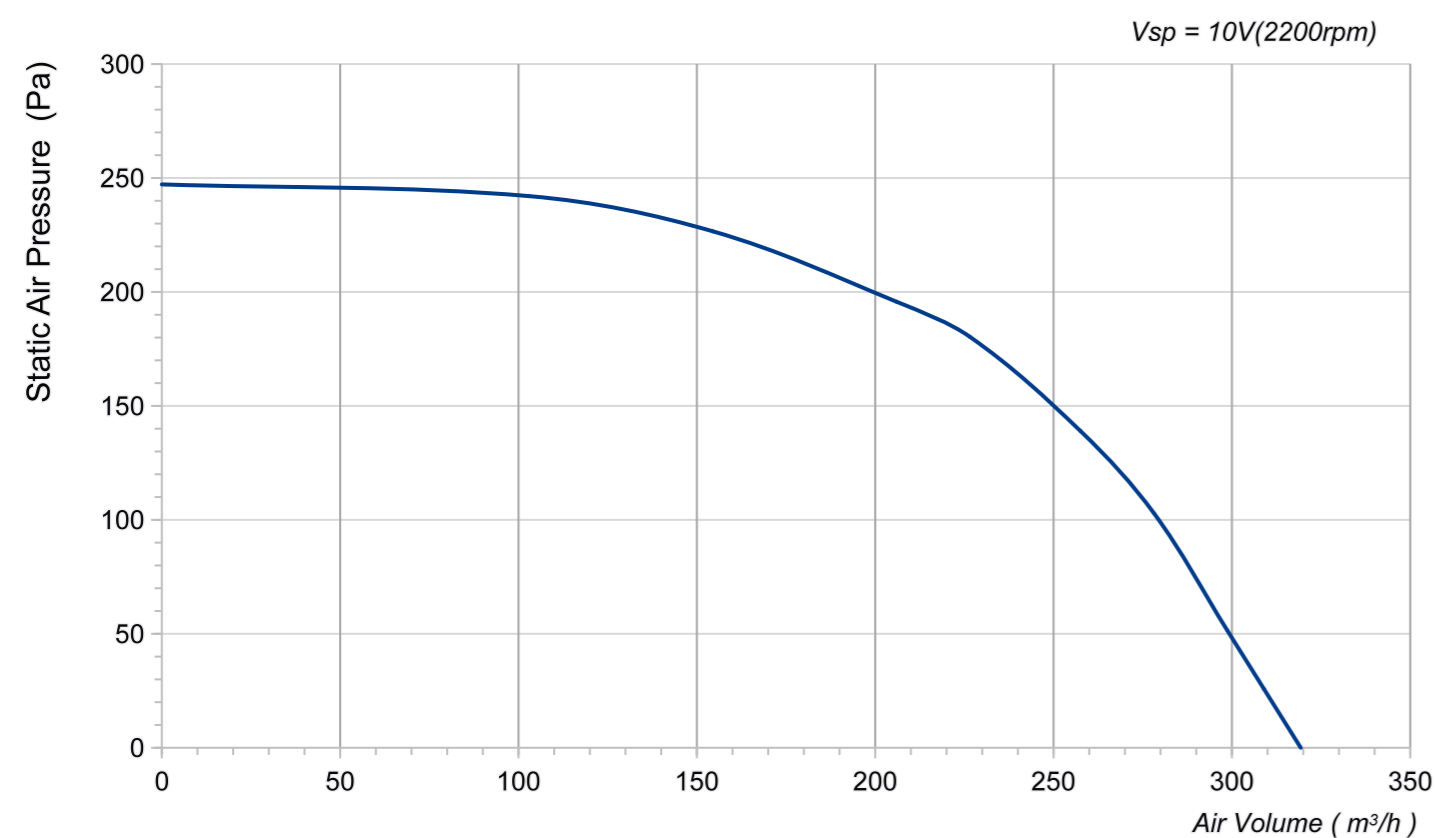
## Product Characteristic

- Material : Plastics PA66
- Mode of operation: S1
- Type of operation: IP54
- Insulation class: B
- Bearing: Maintenance-free ball bearings
- Operation Temperature: -30~+60 C

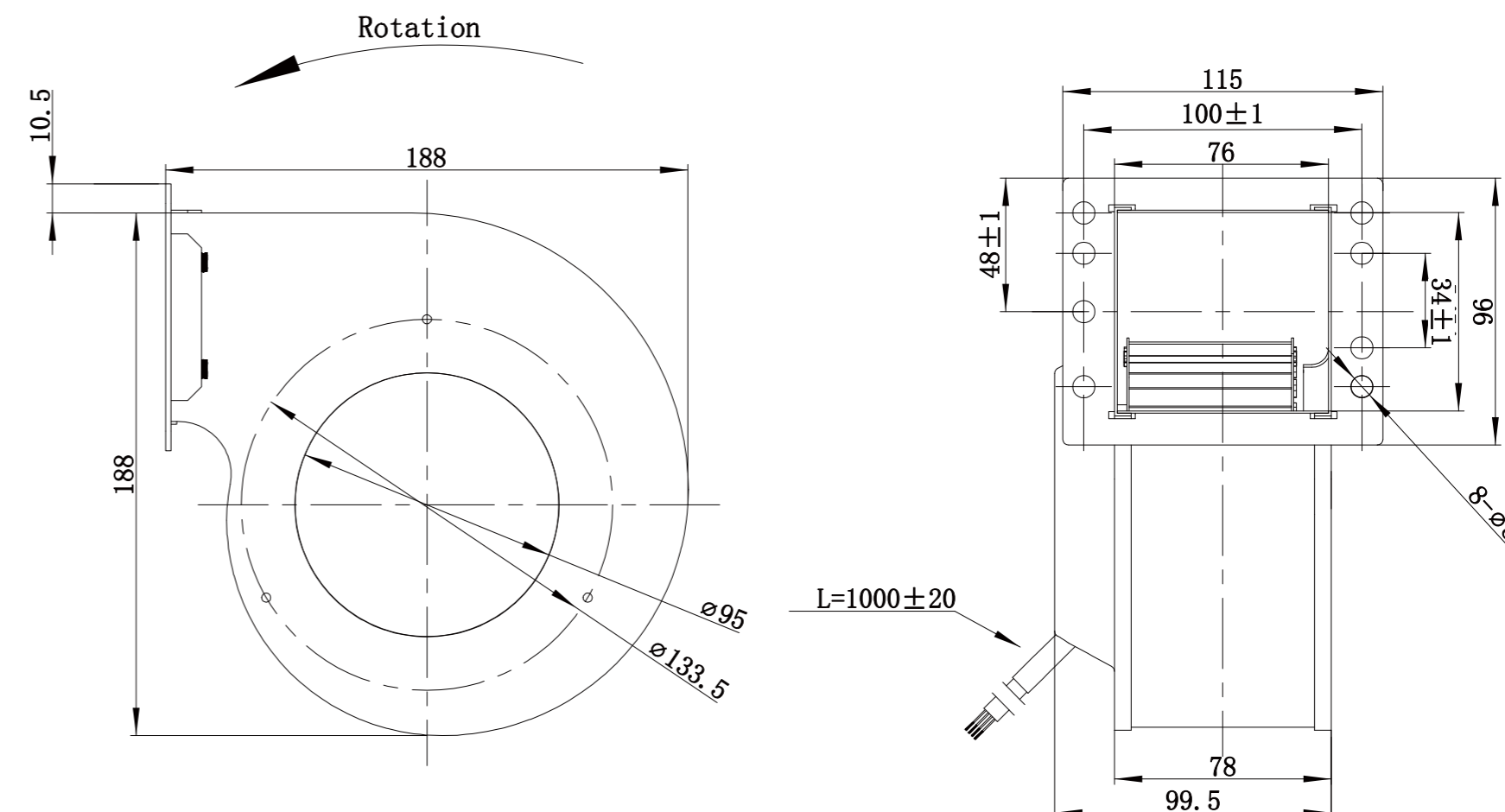


## Technical Specifications

Model	Voltage (V)	Power (W)	Current (A)	Speed (RPM)	Air Flow (m³/h)	Air Pressure (Pa)	Noise [dB(A)]	Curve
LWFD3G120-072SZ-02	310	65	0.21	2200	319	247	57	/



## Product Drawing (mm)



# LWFD-133 Series

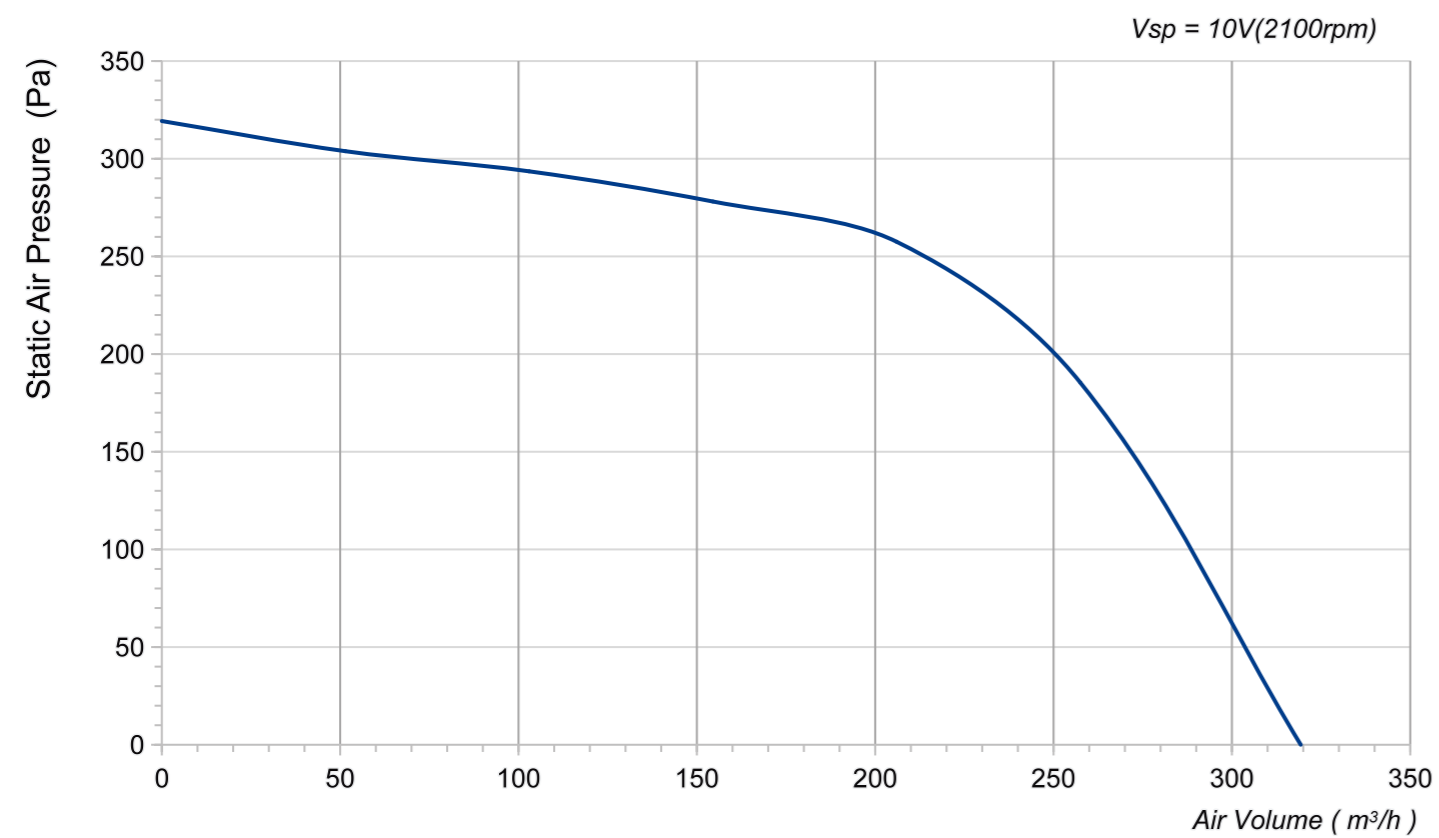
## Product Characteristic

- Material : Plastics PA66
- Mode of operation: S1
- Type of operation: IP54
- Insulation class: B
- Bearing: Maintenance-free ball bearings
- Operation Temperature: -30~+60 C

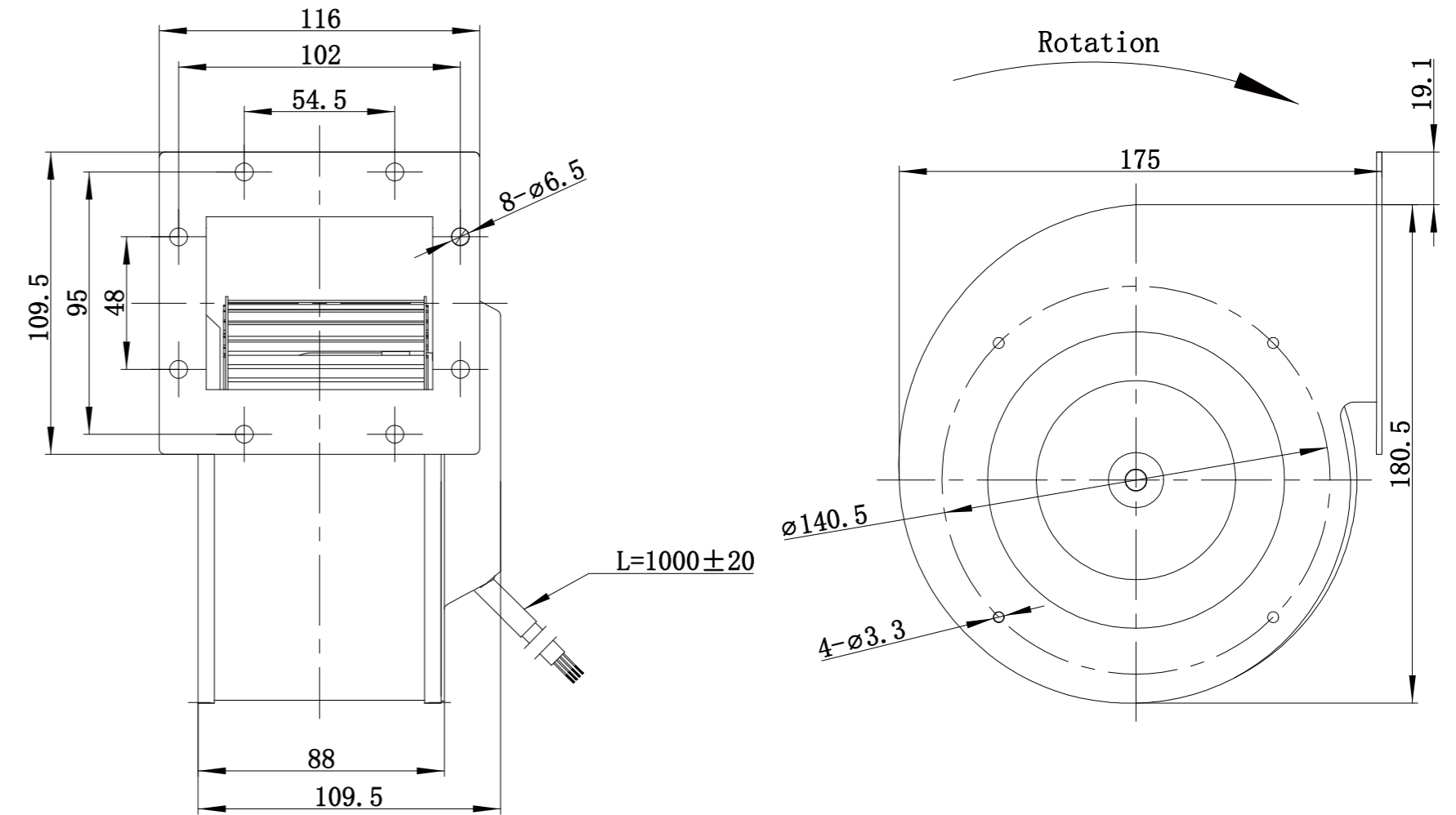


## Technical Specifications

Model	Voltage (V)	Power (W)	Current (A)	Speed (RPM)	Air Flow (m³/h)	Air Pressure (Pa)	Noise [dB(A)]	Curve
LWFD3G133-072SZ-01	310	65	0.21	2100	319	319	59	/



## Product Drawing (mm)



# LWFD-140 Series

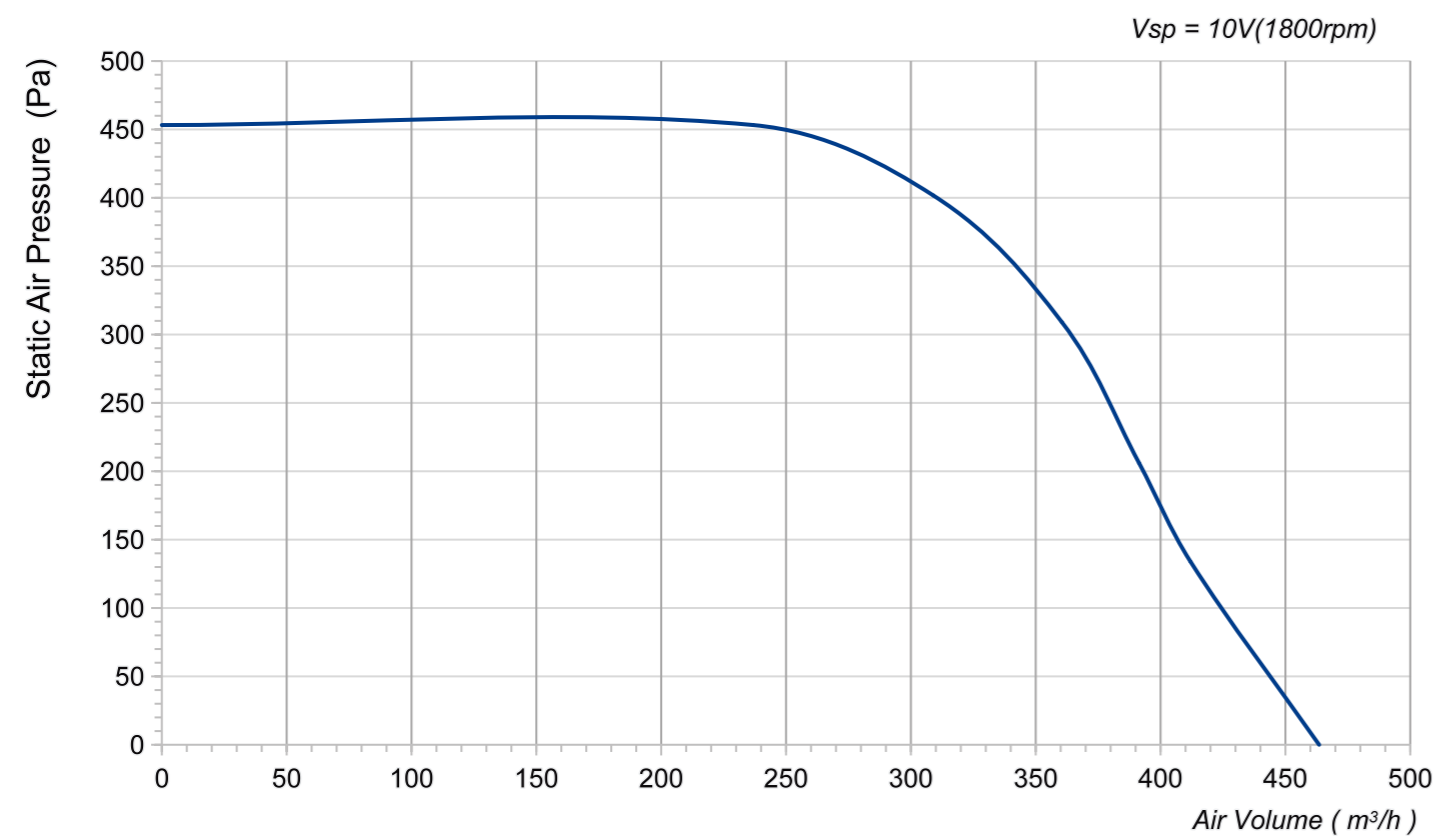
## Product Characteristic

- Material : Plastics PA66
- Mode of operation: S1
- Type of operation: IP54
- Insulation class: B
- Bearing: Maintenance-free ball bearings
- Operation Temperature: -30~+60 C

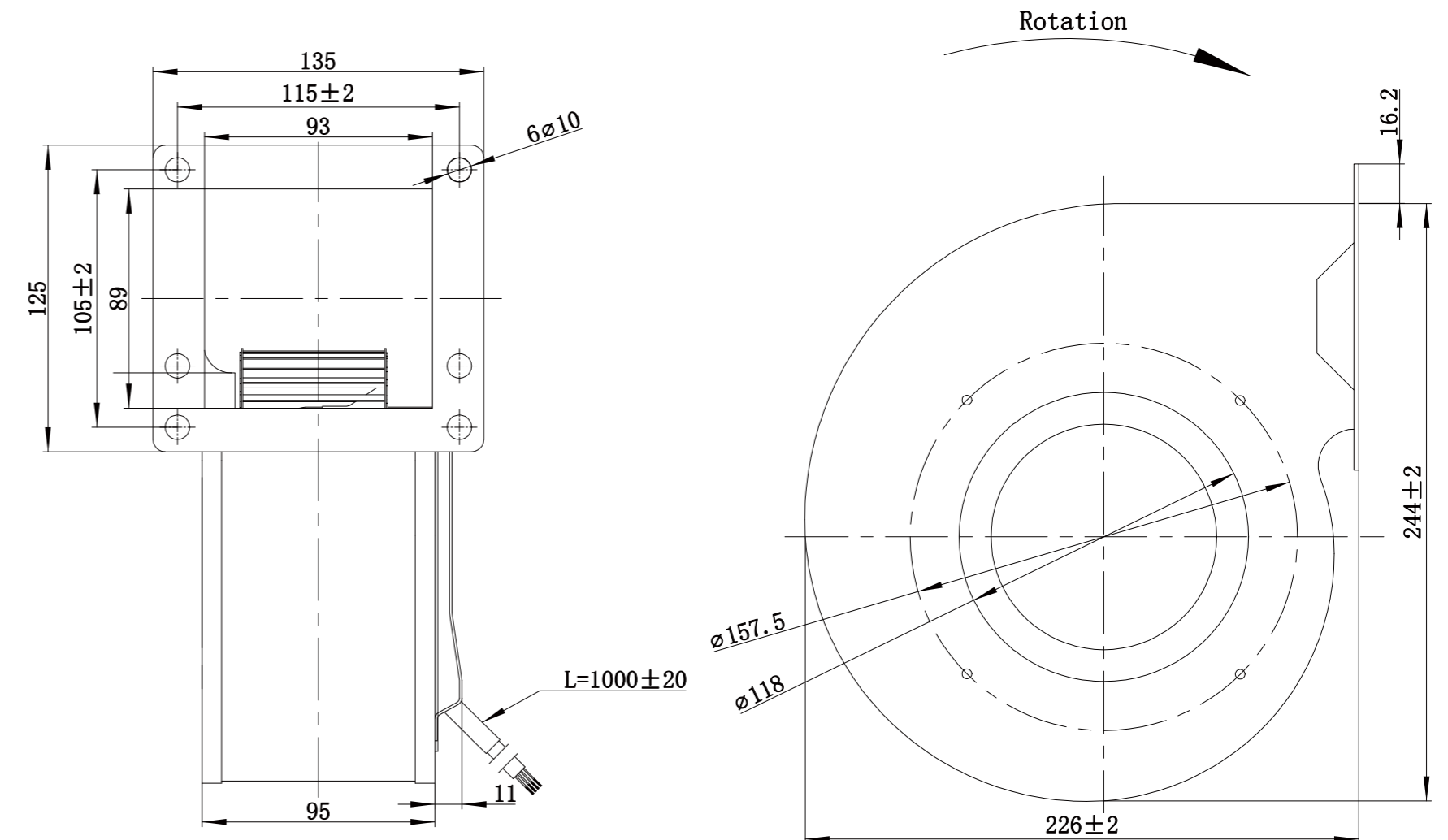


## Technical Specifications

Model	Voltage (V)	Power (W)	Current (A)	Speed (RPM)	Air Flow (m³/h)	Air Pressure (Pa)	Noise [dB(A)]	Curve
LWFD3G140-072SZ-01	310	80	0.26	1800	464	453	71	/



## Product Drawing (mm)



# LWFD-140 Series

## Product Characteristic

- Material : Plastics PA66
- Mode of operation: S1
- Type of operation: IP54
- Insulation class: B
- Bearing: Maintenance-free ball bearings
- Operation Temperature: -30~+60 C

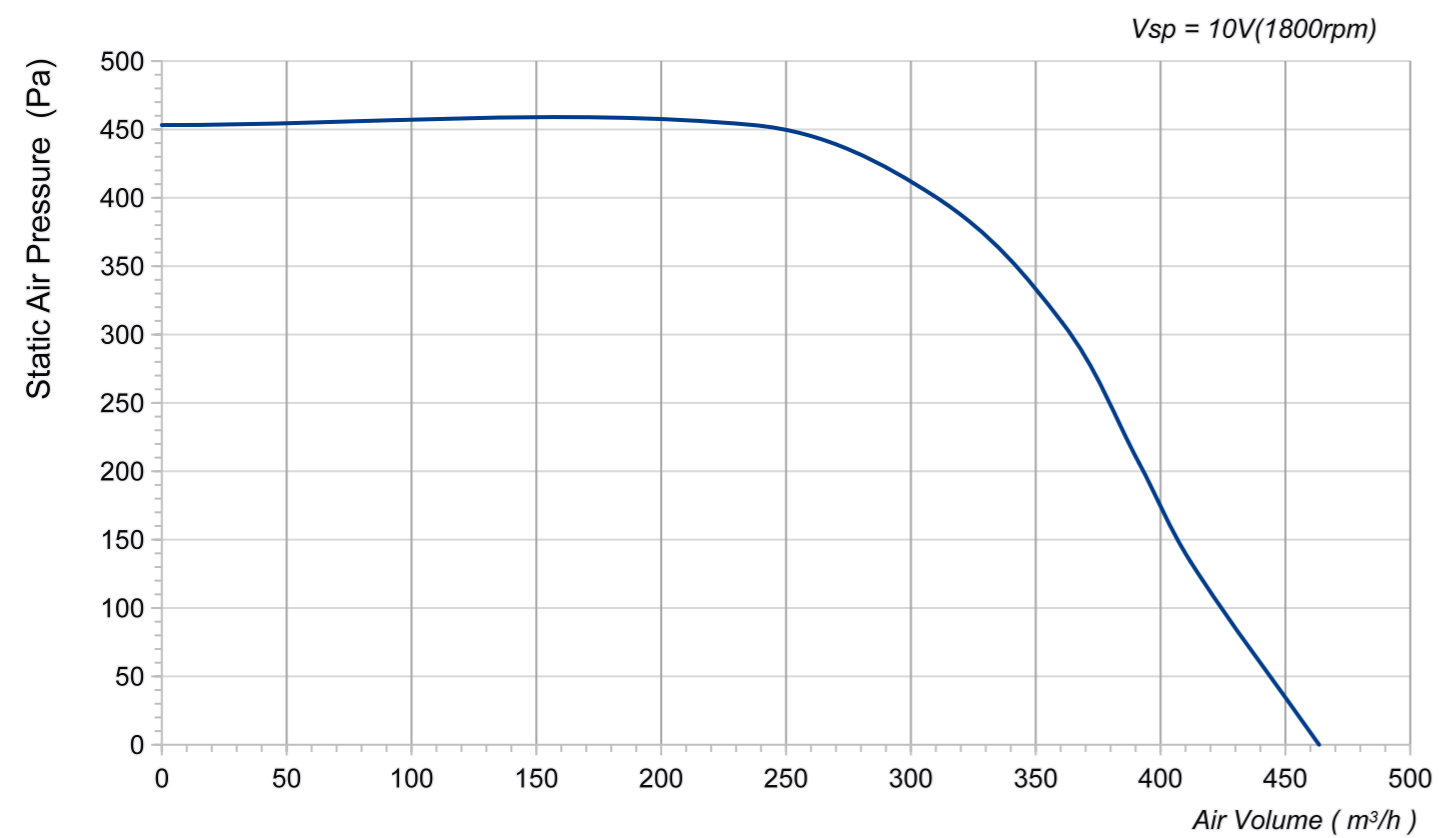
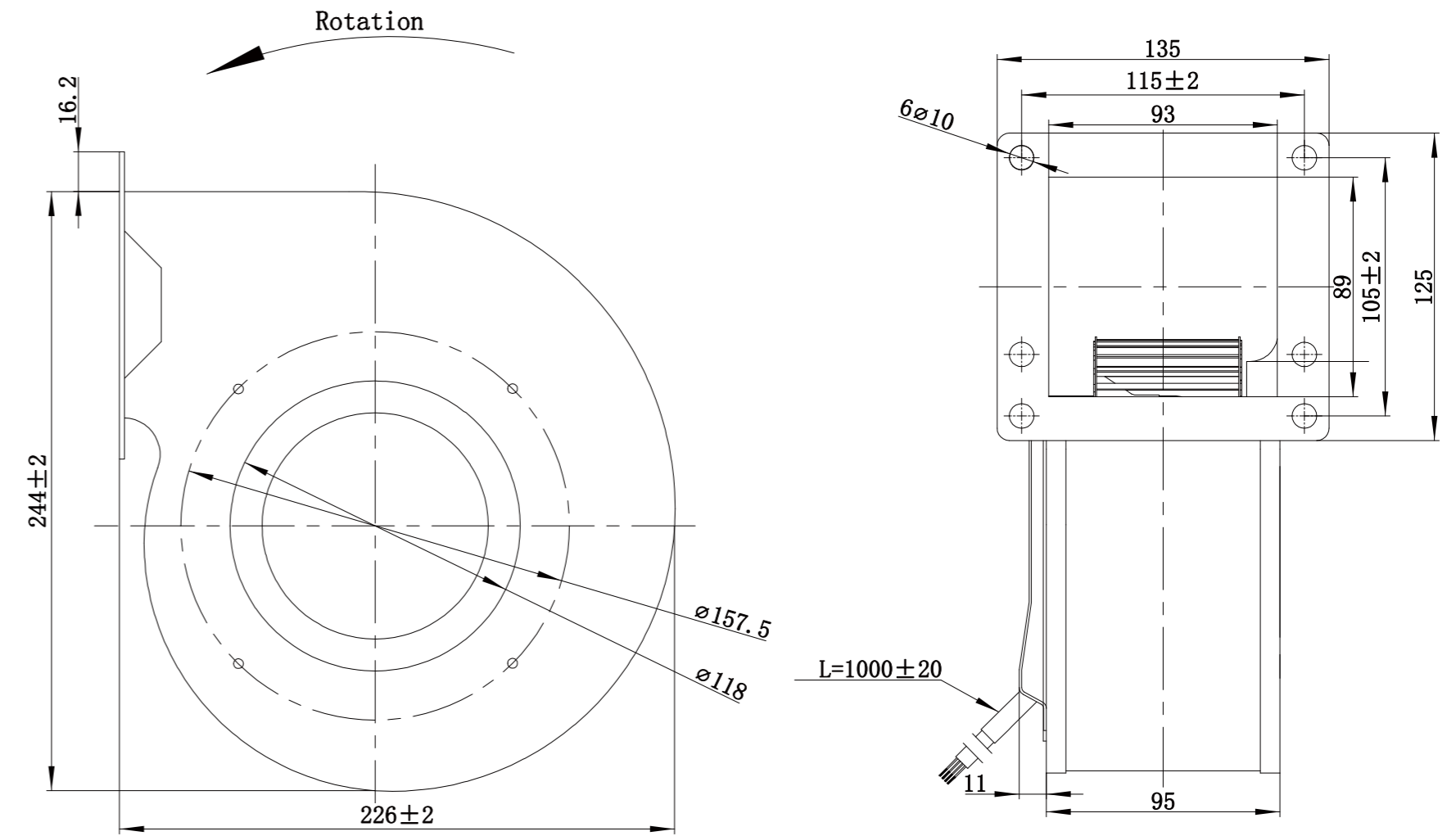


## Technical Specifications

Model	Voltage (V)	Power (W)	Current (A)	Speed (RPM)	Air Flow (m³/h)	Air Pressure (Pa)	Noise [dB(A)]	Curve
LWFD3G140-072SZ-02	310	80	0.26	1800	464	453	71	/



## Product Drawing (mm)



# LWFD-160 Series

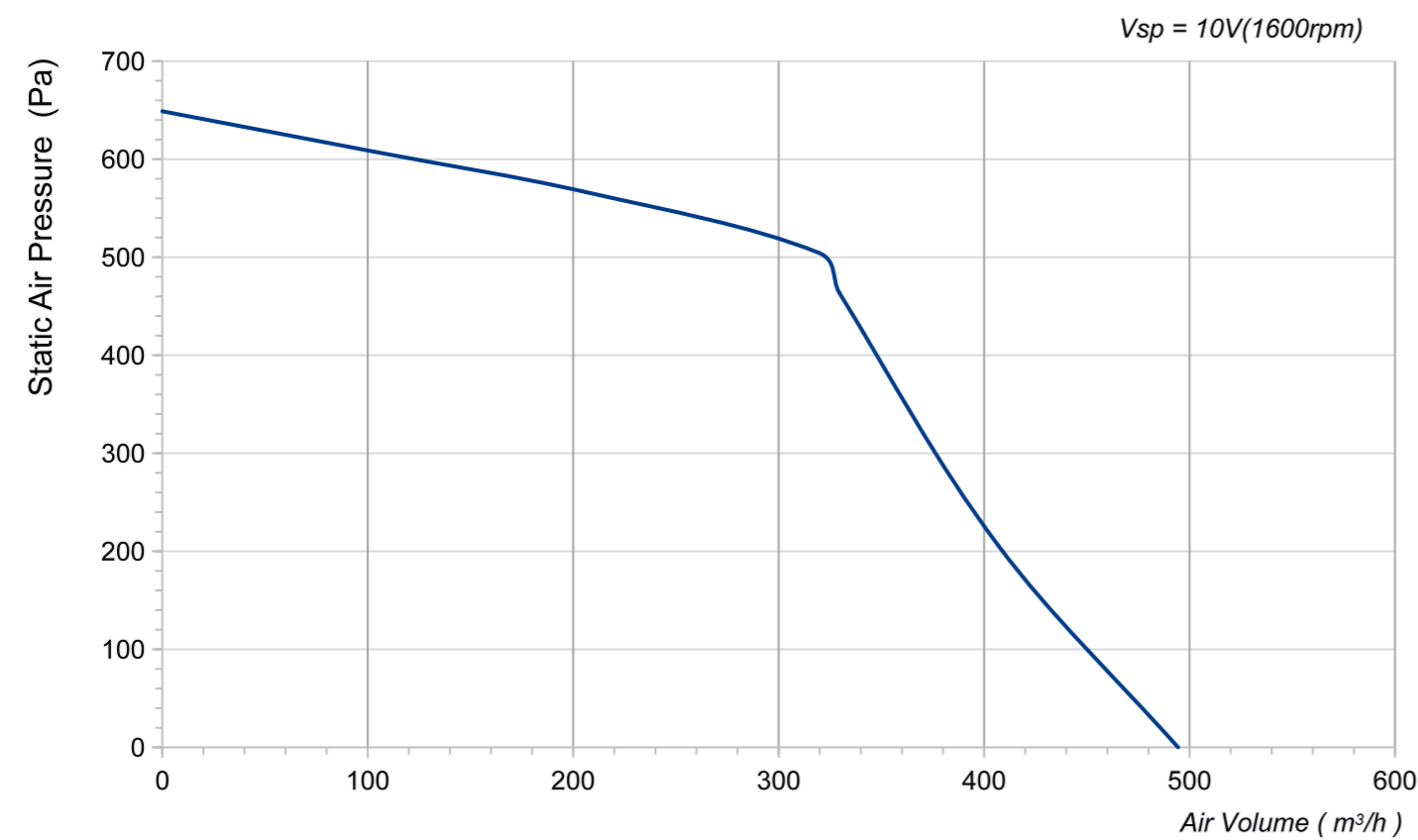
## Product Characteristic

- Material : Plastics PA66
- Mode of operation: S1
- Type of operation: IP54
- Insulation class: B
- Bearing: Maintenance-free ball bearings
- Operation Temperature: -30~+60 C

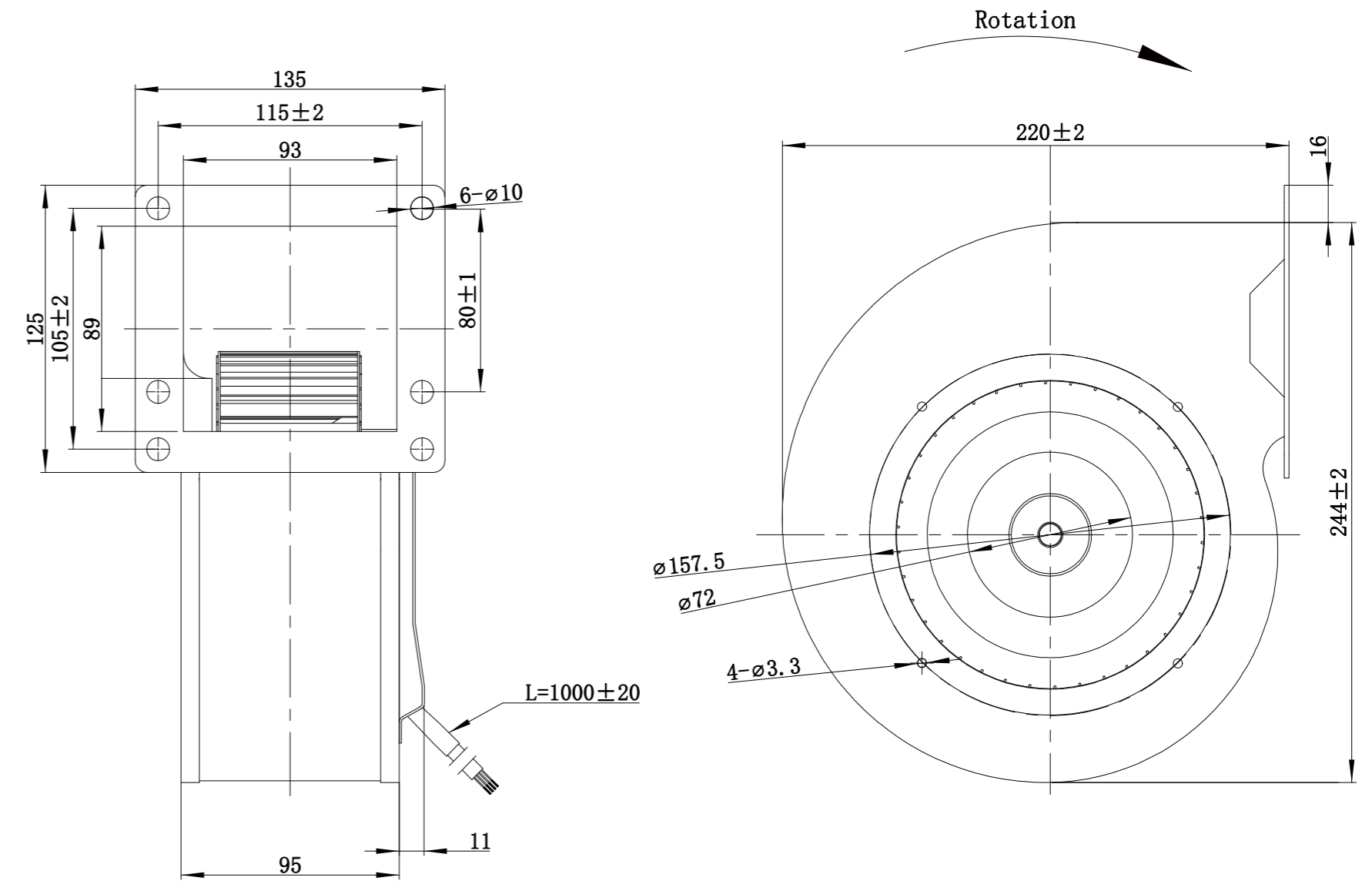


## Technical Specifications

Model	Voltage (V)	Power (W)	Current (A)	Speed (RPM)	Air Flow (m³/h)	Air Pressure (Pa)	Noise [dB(A)]	Curve
LWFD3G160-072SZ-01	310	80	0.26	1600	494	649	61	/



## Product Drawing (mm)



# LWFD-150 Series

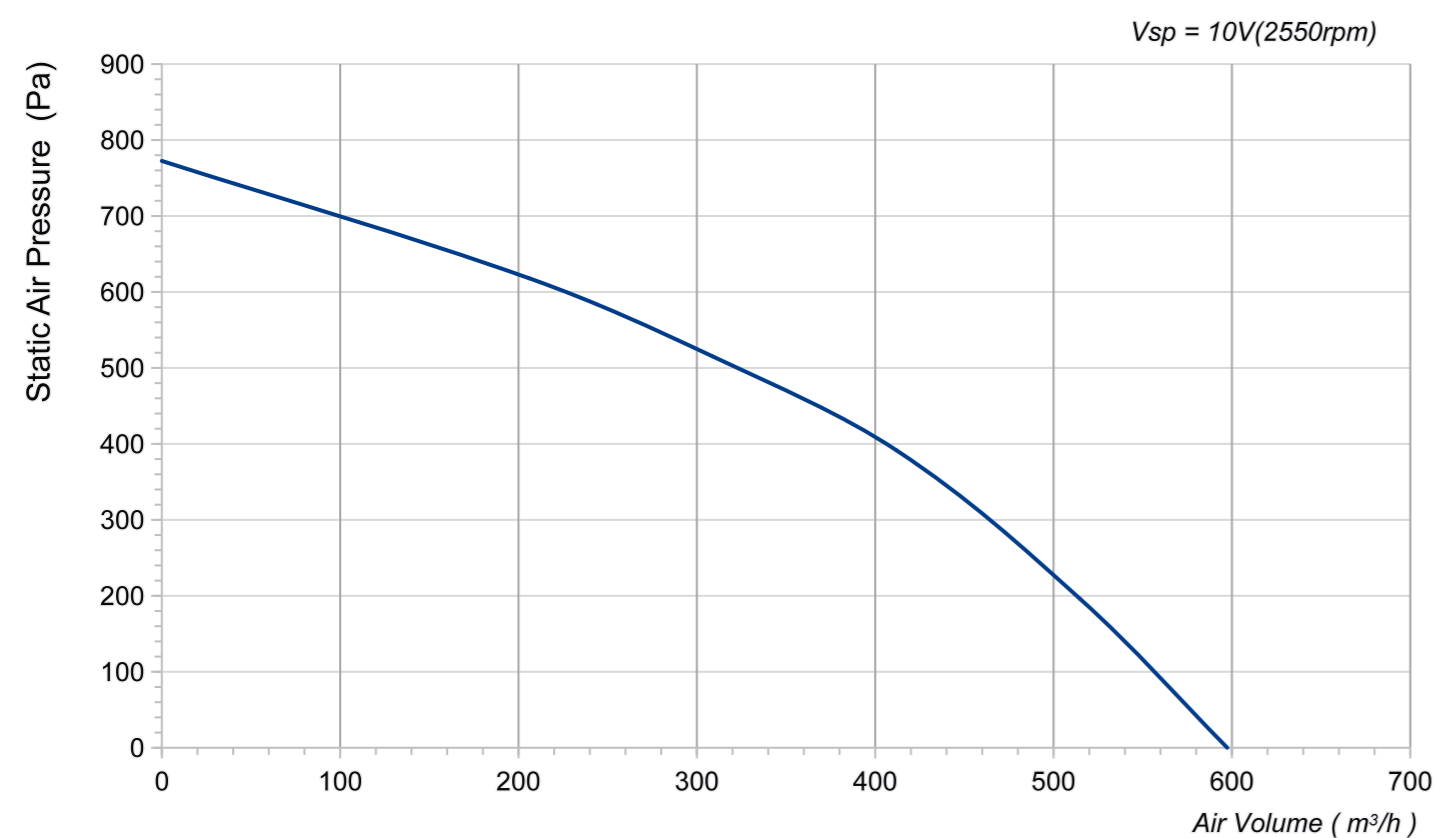
## Product Characteristic

- Material : Plastics PA66
- Mode of operation: S1
- Type of operation: IP54
- Insulation class: B
- Bearing: Maintenance-free ball bearings
- Operation Temperature: -30~+60 C

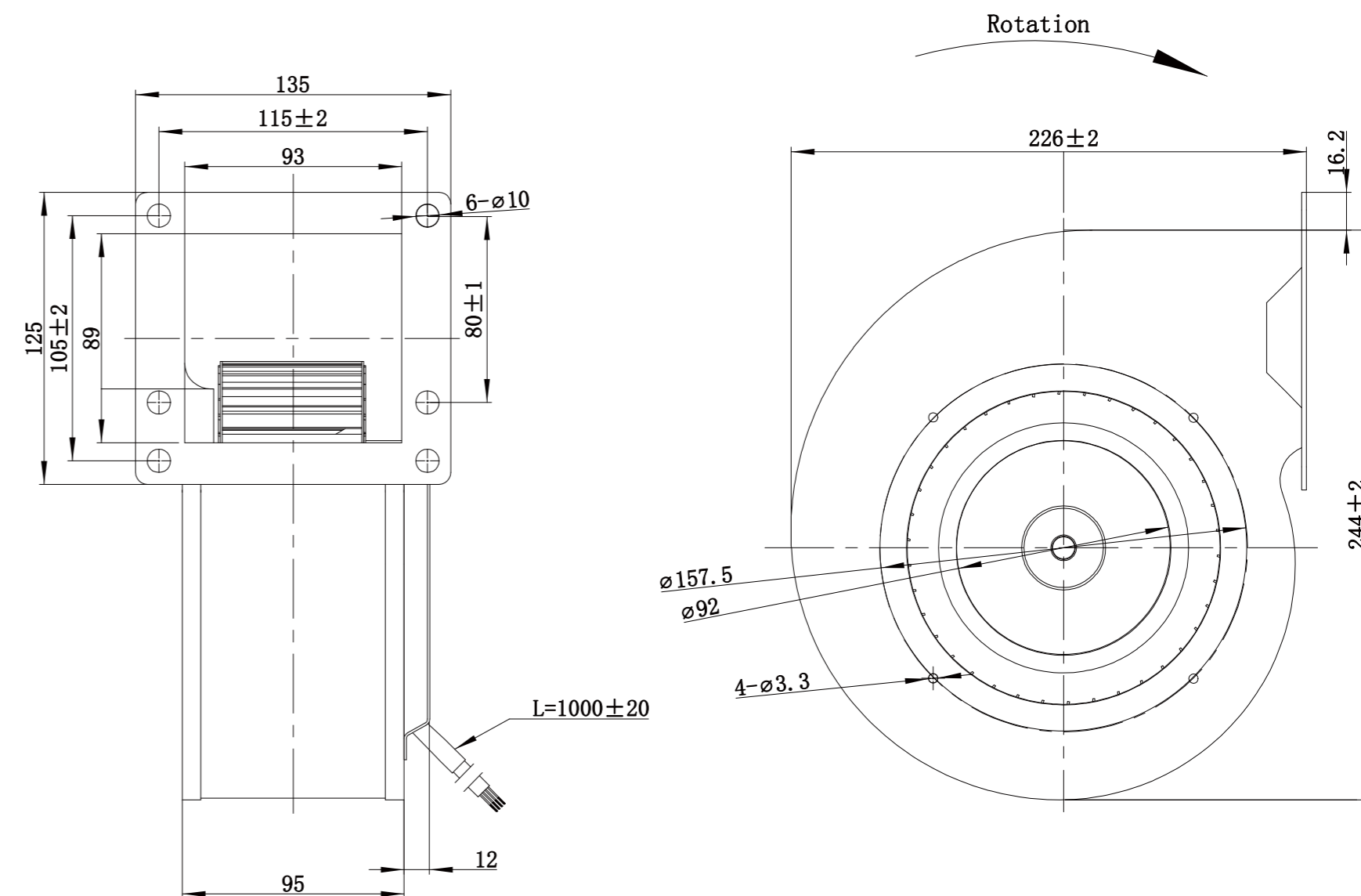


## Technical Specifications

Model	Voltage (V)	Power (W)	Current (A)	Speed (RPM)	Air Flow (m³/h)	Air Pressure (Pa)	Noise [dB(A)]	Curve
LWFD3G150-092SZ-01	310	170	0.55	2550	597	773	71	/



## Product Drawing (mm)



# LWFD-160 Series

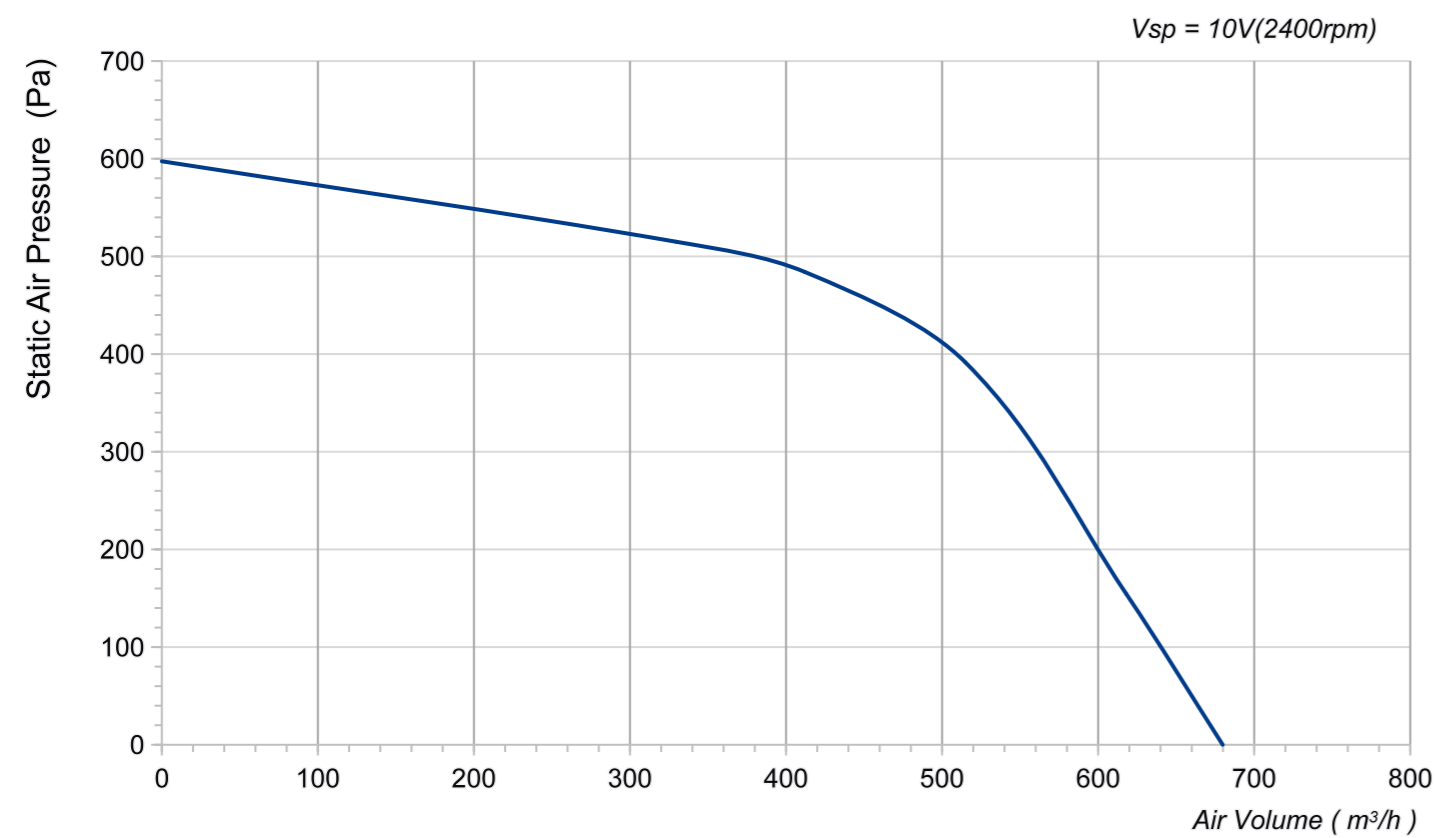
## Product Characteristic

- Material : Plastics PA66
- Mode of operation: S1
- Type of operation: IP54
- Insulation class: B
- Bearing: Maintenance-free ball bearings
- Operation Temperature: -30~+60 C

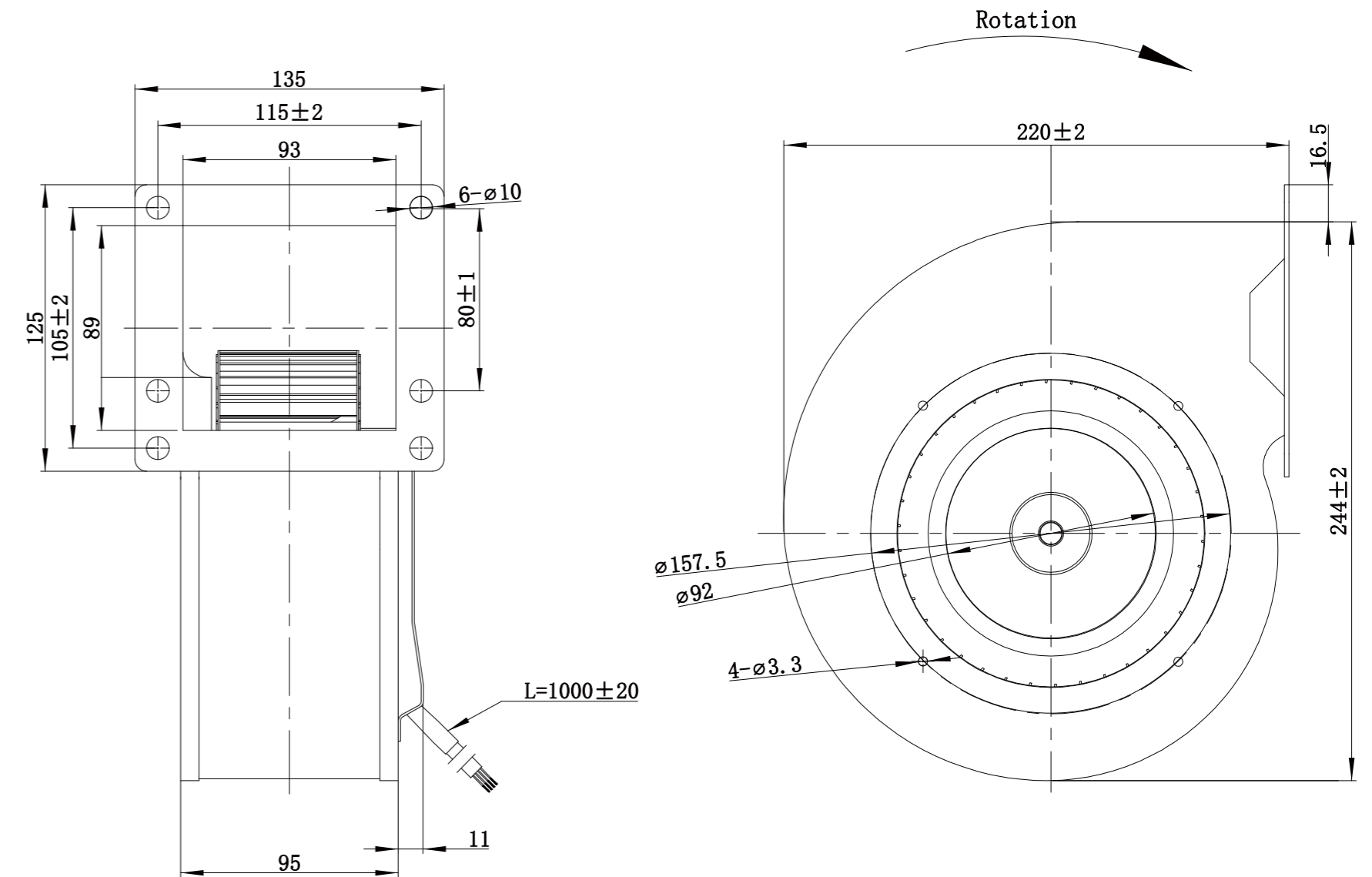


## Technical Specifications

Model	Voltage (V)	Power (W)	Current (A)	Speed (RPM)	Air Flow (m³/h)	Air Pressure (Pa)	Noise [dB(A)]	Curve
LWFD3G160-092SZ-01	310	220	0.71	2400	680	597	66	/



## Product Drawing (mm)



# LWFD-160 Series

## Product Characteristic

- Material : Plastics PA66
- Mode of operation: S1
- Type of operation: IP54
- Insulation class: B
- Bearing: Maintenance-free ball bearings
- Operation Temperature: -30~+60 C

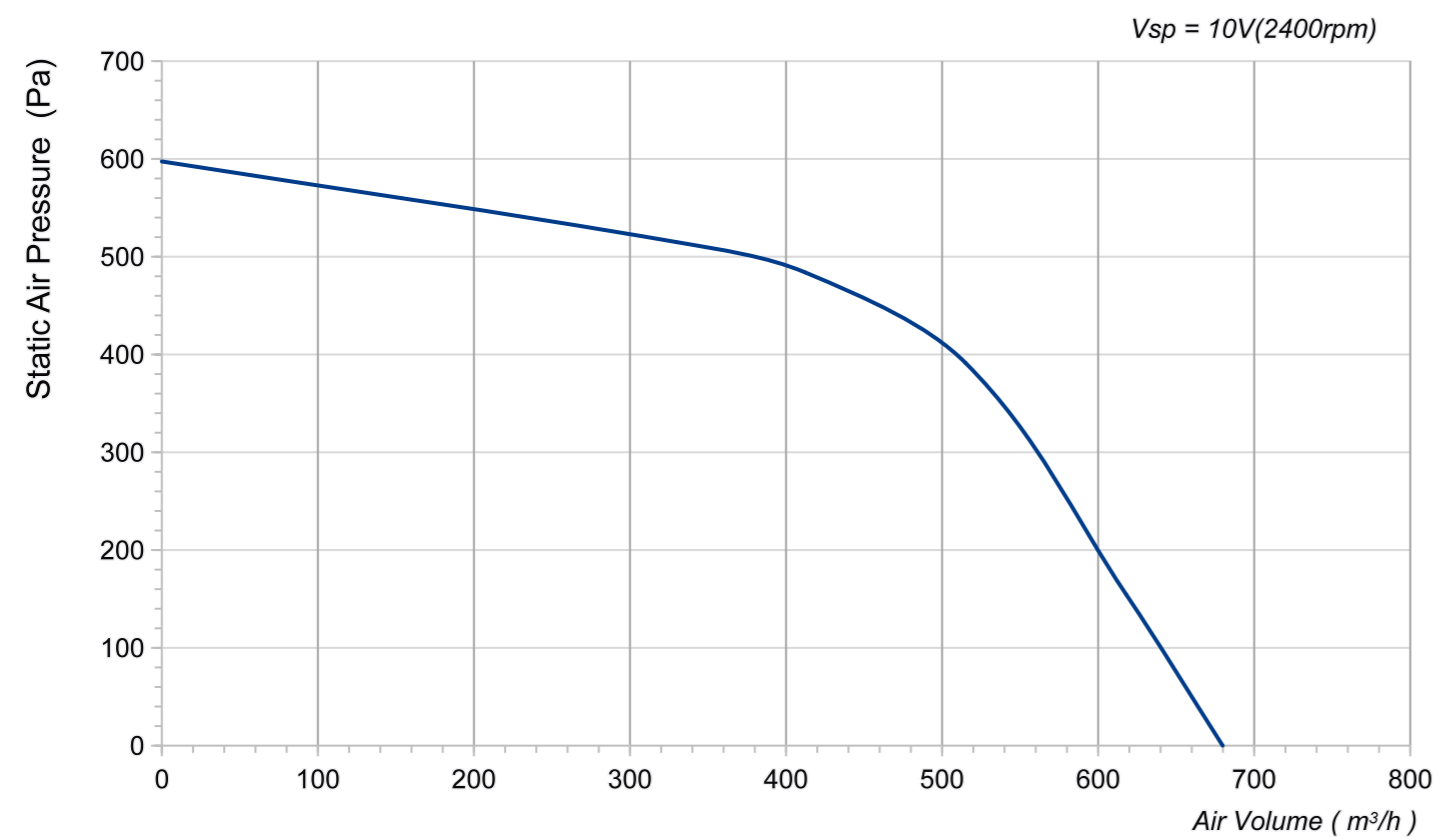
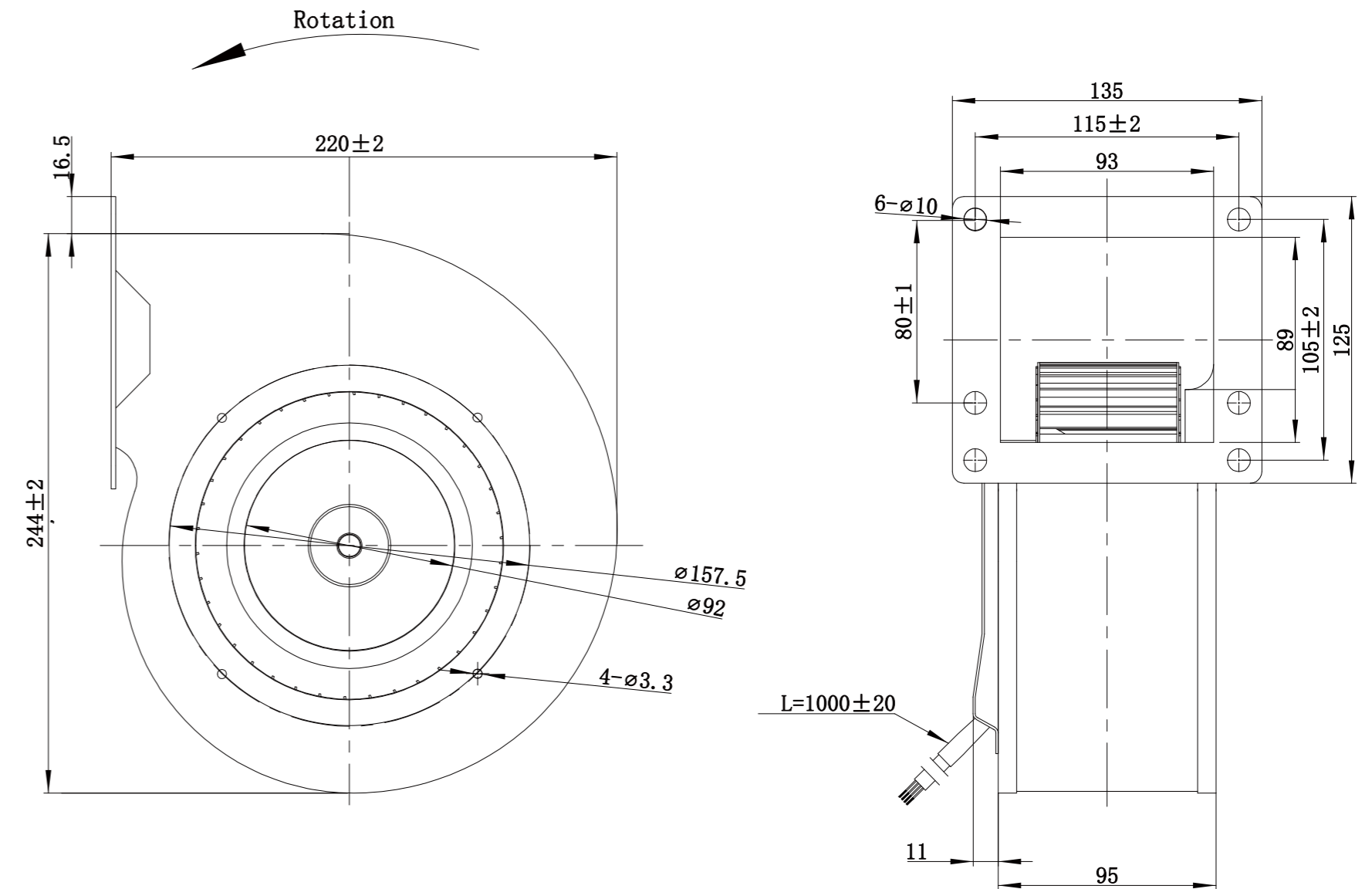


## Technical Specifications

Model	Voltage (V)	Power (W)	Current (A)	Speed (RPM)	Air Flow (m³/h)	Air Pressure (Pa)	Noise [dB(A)]	Curve
LWFD3G160-092SZ-02	310	220	0.71	2400	680	597	66	/



## Product Drawing (mm)



# LWFD-180 Series

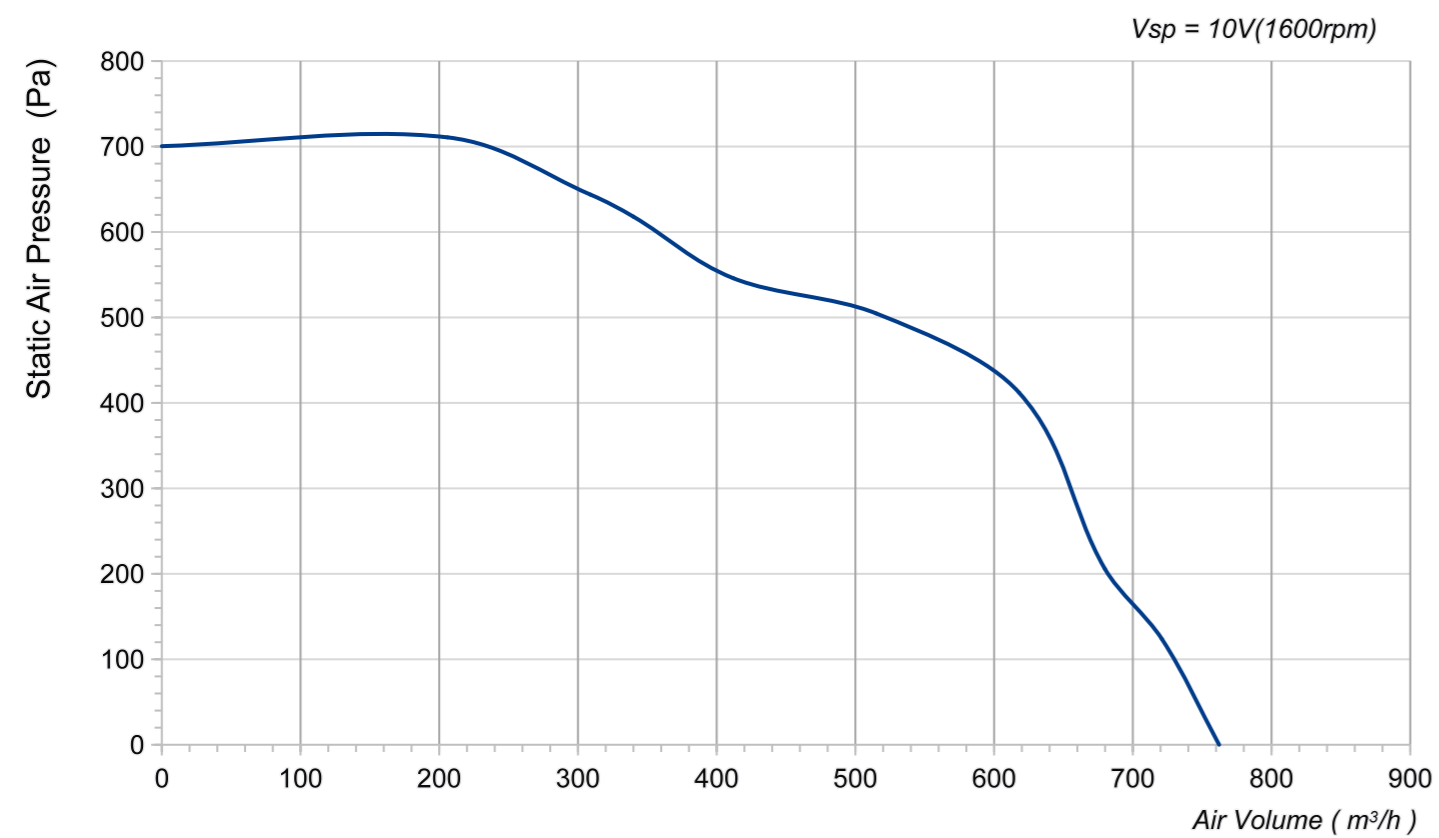
## Product Characteristic

- Material : Plastics PA66
- Mode of operation: S1
- Type of operation: IP54
- Insulation class: B
- Bearing: Maintenance-free ball bearings
- Operation Temperature: -30~+60 C



## Technical Specifications

Model	Voltage (V)	Power (W)	Current (A)	Speed (RPM)	Air Flow (m³/h)	Air Pressure (Pa)	Noise [dB(A)]	Curve
LWFD3G180-092SZ-01	310	180	0.58	1600	762	700	65	/



## Product Drawing (mm)

