

EC Single Inlet Forward Centrifugal Blower



LWFE-120 Series

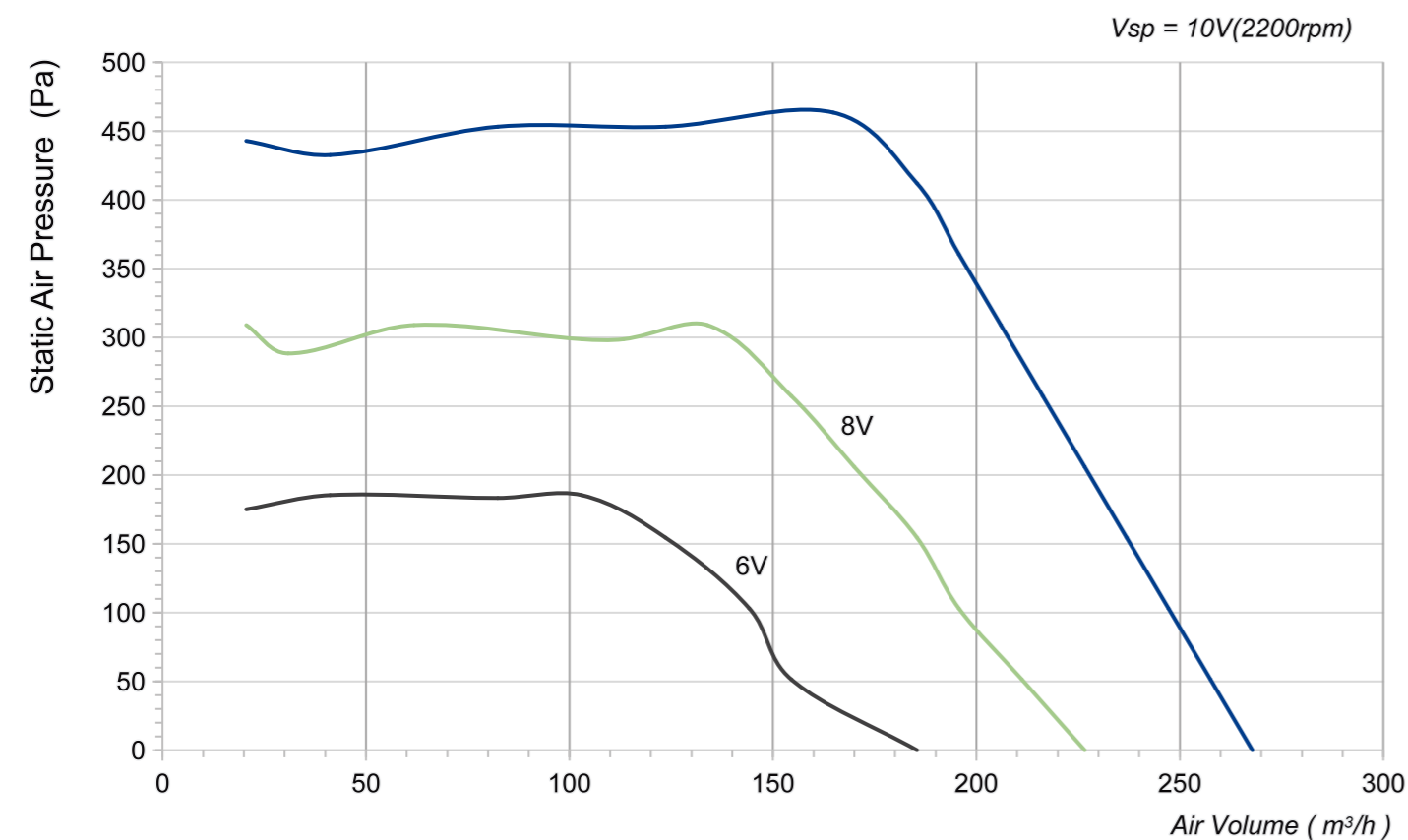
Product Characteristic

- Material : Galvanised sheet steel
- Mode of operation: S1
- Type of operation: IP54
- Insulation class: F
- Bearing: Maintenance-free ball bearings
- Operation Temperature: -30~+60 C

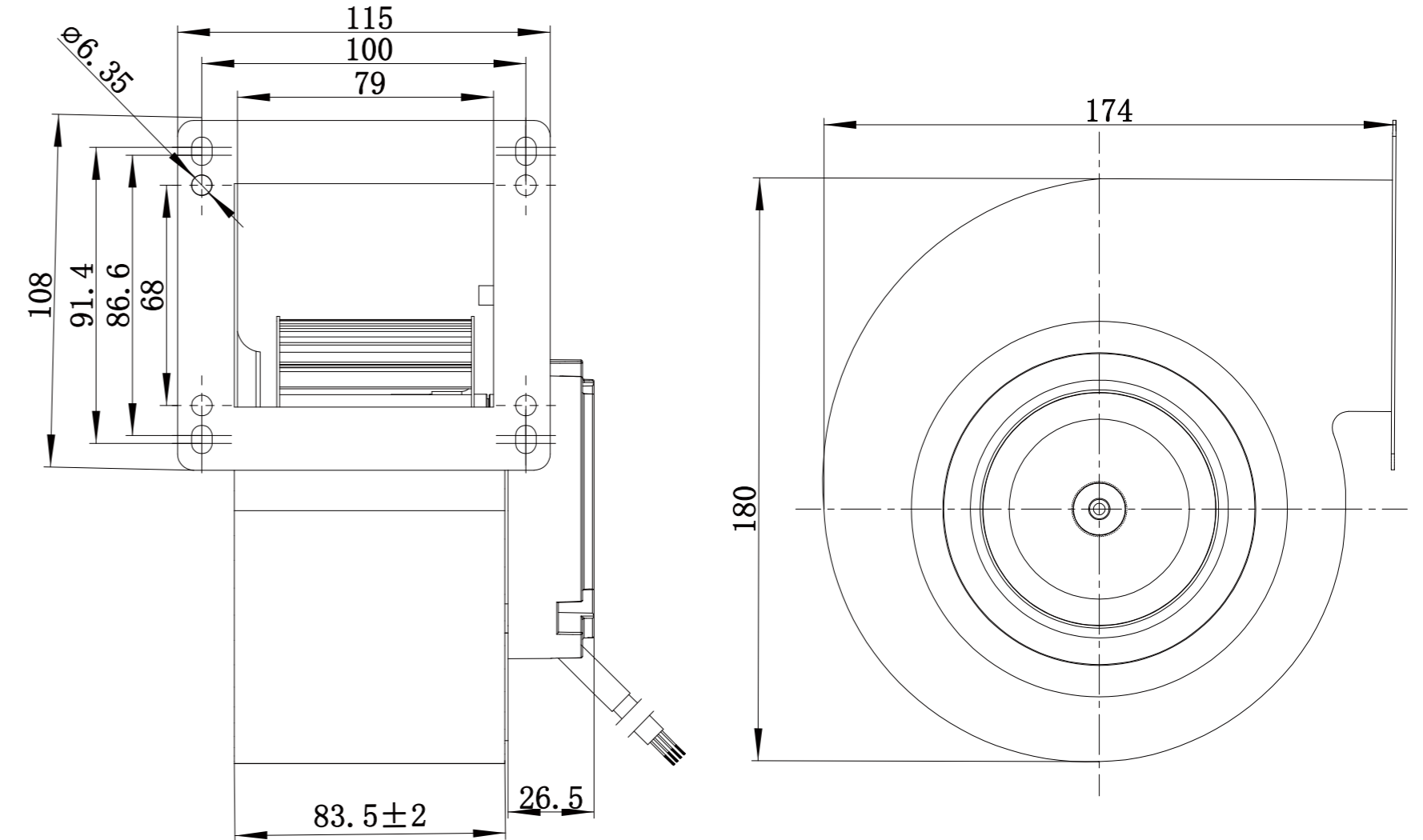


Technical Specifications

Model	Voltage (V)	Frequency (Hz)	Power (W)	Current (A)	Speed (RPM)	Air Flow (m³/h)	Air Pressure (Pa)	Noise [dB(A)]	Curve
LWFE3G120-072SS-01	230	50/60	42	0.3	2200	268	443	60	/



Product Drawing (mm)



LWFE-120 Series

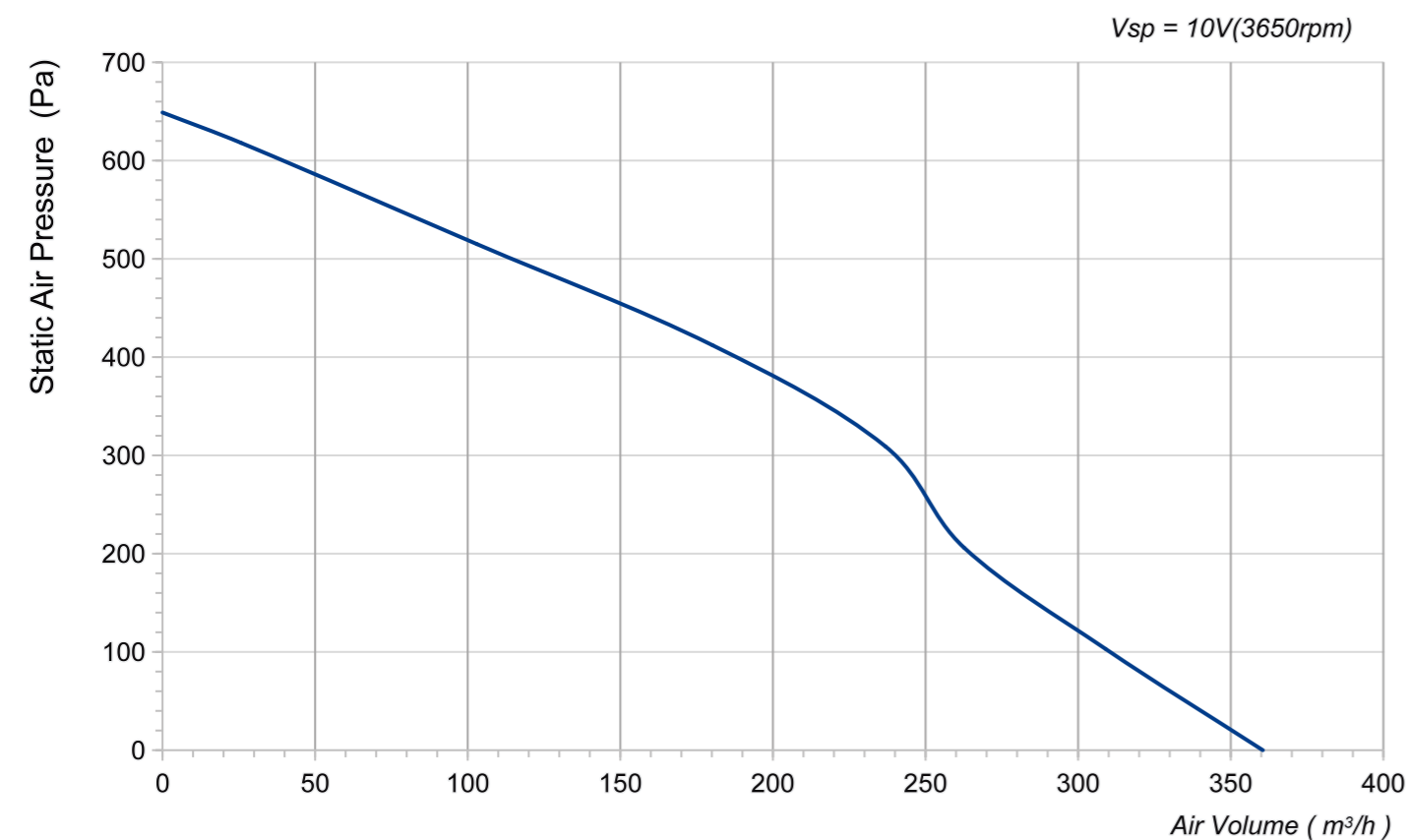
Product Characteristic

- Material : Galvanised sheet steel
- Mode of operation: S1
- Type of operation: IP55
- Insulation class: B
- Bearing: Maintenance-free ball bearings
- Operation Temperature: -30~+60 C

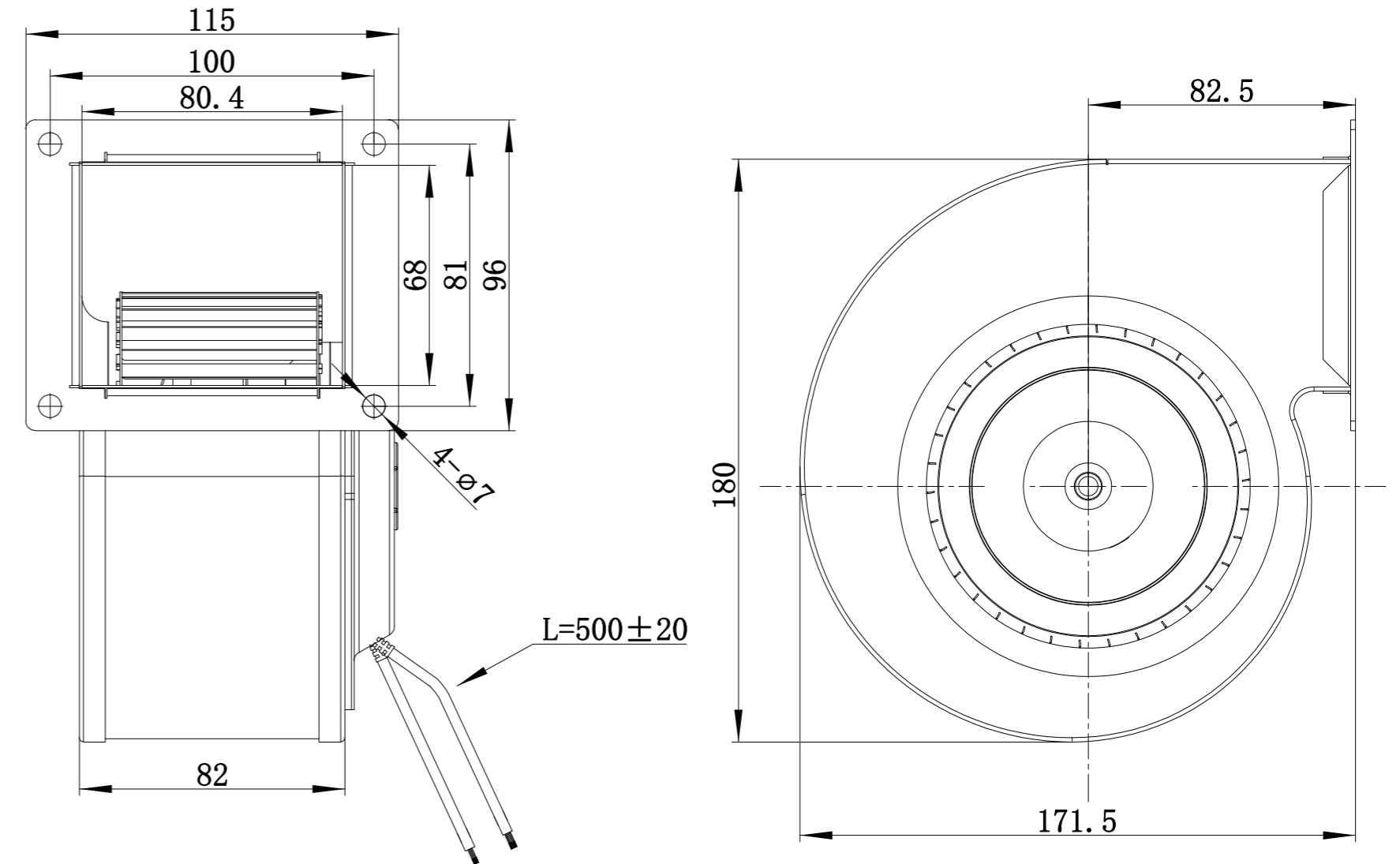


Technical Specifications

Model	Voltage (V)	Frequency (Hz)	Power (W)	Current (A)	Speed (RPM)	Air Flow (m³/h)	Air Pressure (Pa)	Noise [dB(A)]	Curve
LWFE3G120-072SS-02	230	50/60	75	0.53	3650	361	649	61	/



Product Drawing (mm)



LWFE-133 Series

Product Characteristic

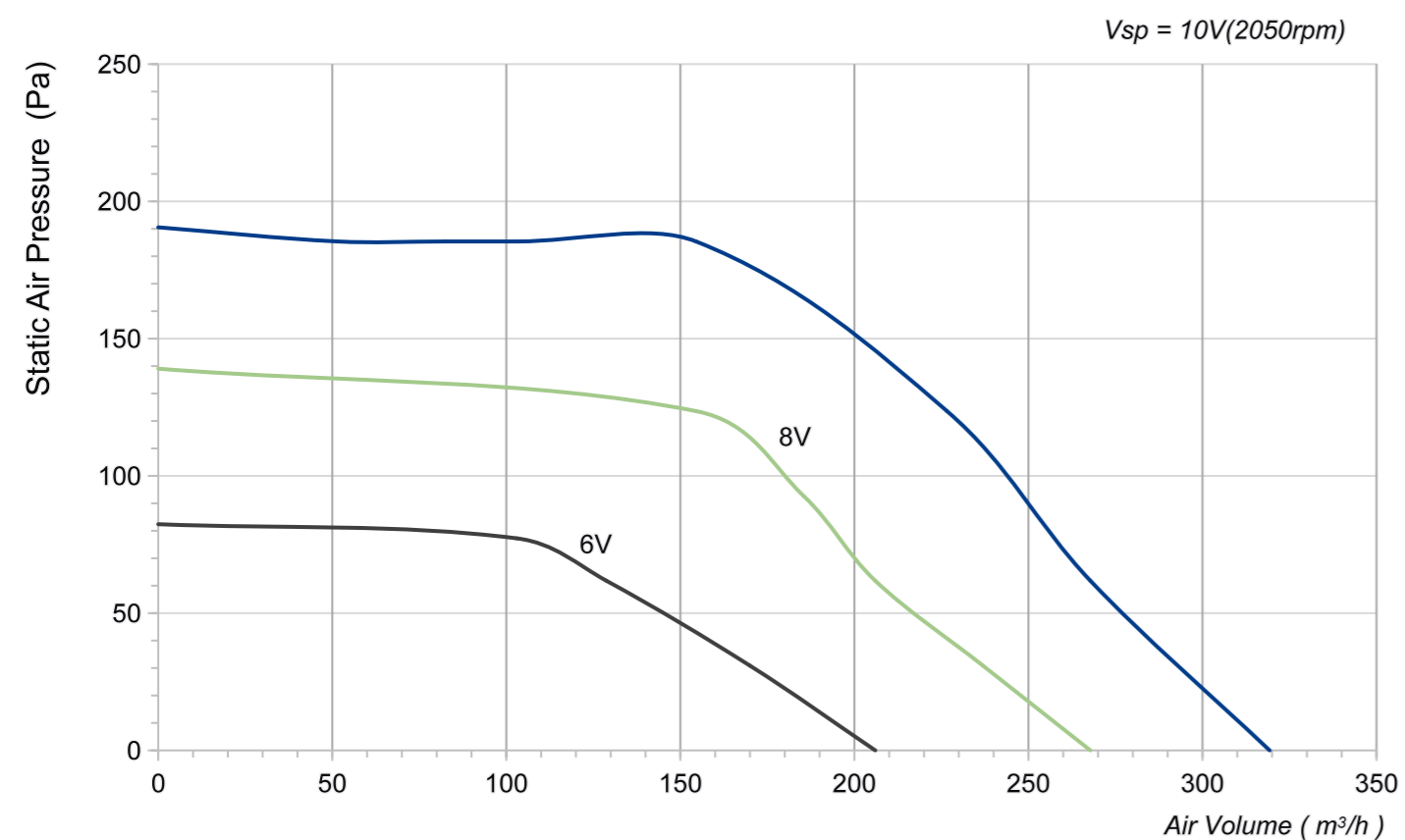
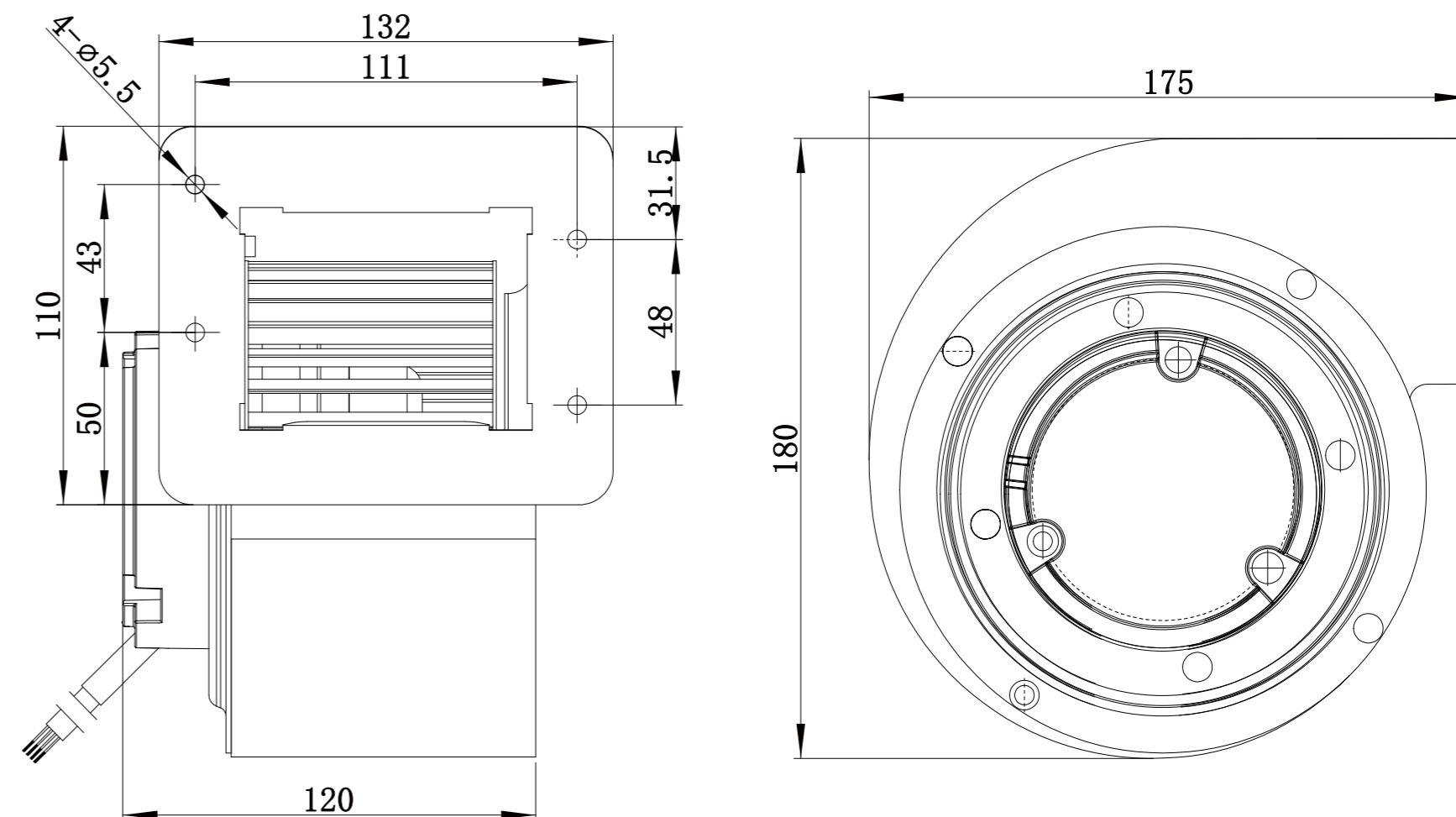
- Material : Galvanised sheet steel
- Mode of operation: S1
- Type of operation: IP54
- Insulation class: F
- Bearing: Maintenance-free ball bearings
- Operation Temperature: -30~+60 C



Technical Specifications

Model	Voltage (V)	Frequency (Hz)	Power (W)	Current (A)	Speed (RPM)	Air Flow (m³/h)	Air Pressure (Pa)	Noise [dB(A)]	Curve
LWFE3G133-072SS-01	230	50/60	65	0.5	2050	319	191	68	/

Product Drawing (mm)



LWFE-140 Series

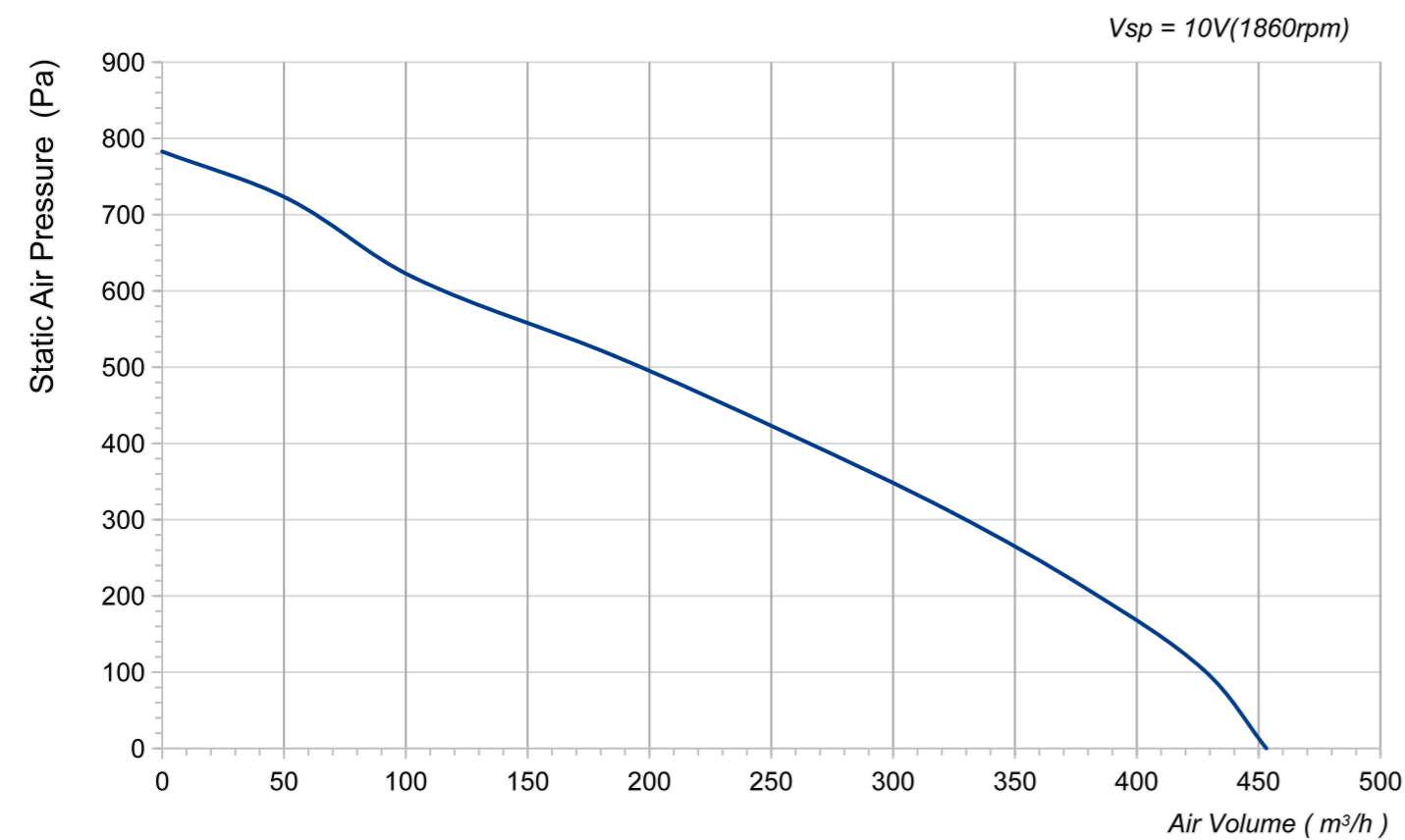
Product Characteristic

- Material : Galvanised sheet steel
- Mode of operation: S1
- Type of operation: IP55
- Insulation class: B
- Bearing: Maintenance-free ball bearings
- Operation Temperature: -30~+60 C

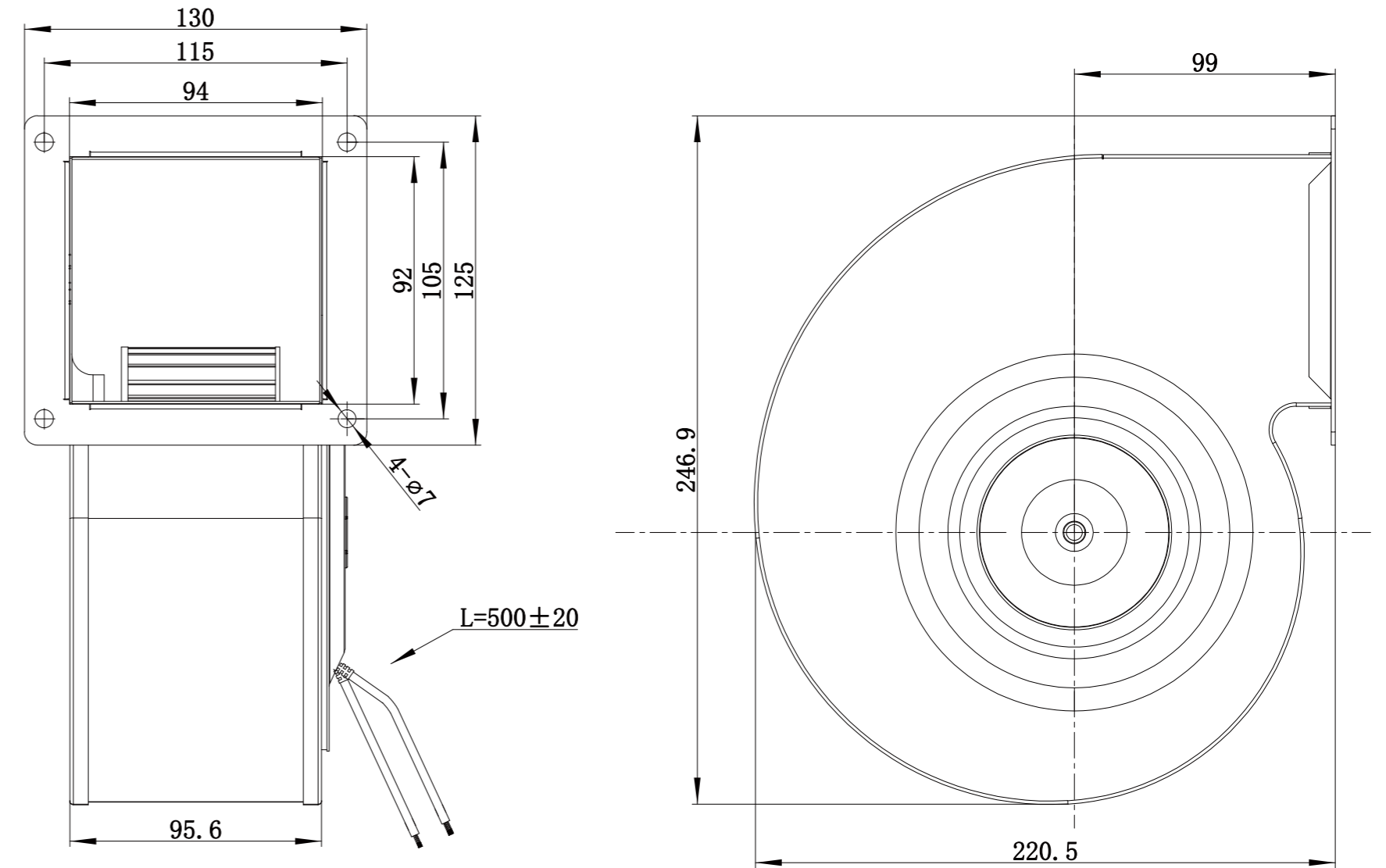


Technical Specifications

Model	Voltage (V)	Frequency (Hz)	Power (W)	Current (A)	Speed (RPM)	Air Flow (m³/h)	Air Pressure (Pa)	Noise [dB(A)]	Curve
LWFE3G140-072SS-01	230	50/60	85	0.62	1860	453	783	72	/



Product Drawing (mm)



LWFE-140 Series

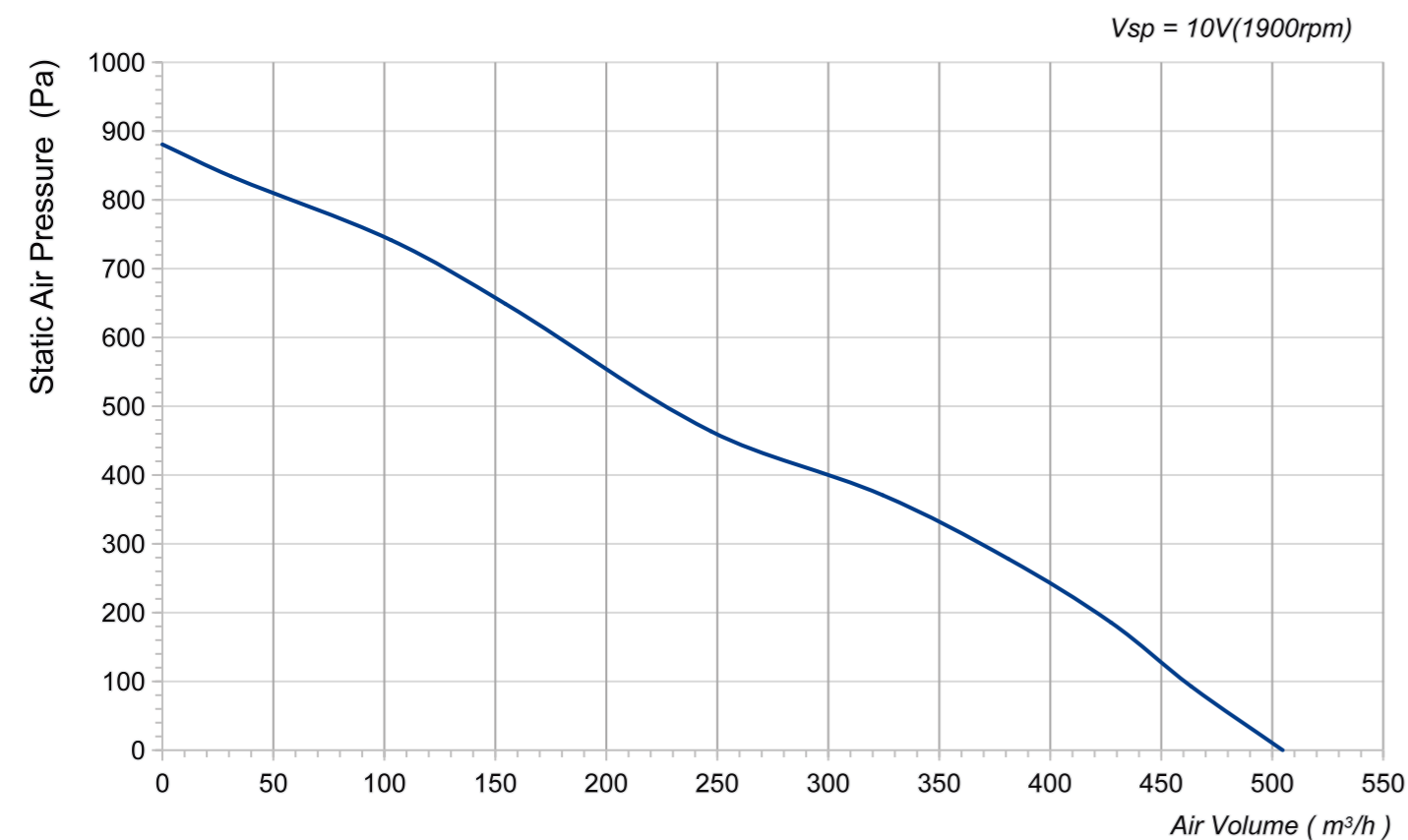
Product Characteristic

- Material : PA6+GF
- Mode of operation: S1
- Type of operation: IP55
- Insulation class: B
- Bearing: Maintenance-free ball bearings
- Operation Temperature: -30~+60 C

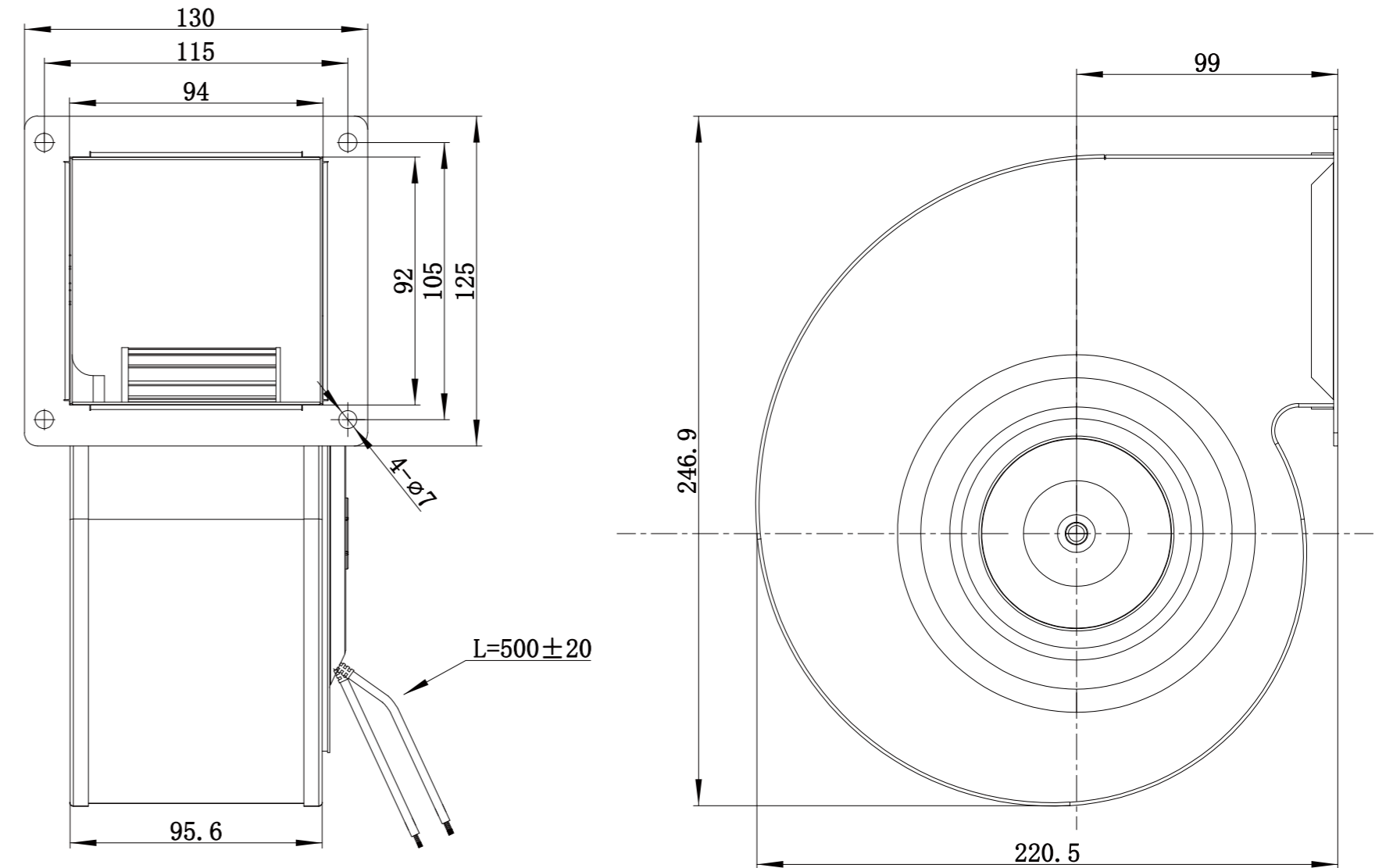


Technical Specifications

Model	Voltage (V)	Frequency (Hz)	Power (W)	Current (A)	Speed (RPM)	Air Flow (m³/h)	Air Pressure (Pa)	Noise [dB(A)]	Curve
LWFE3G140-072SS-02	230	50/60	85	0.62	1900	505	881	61	/



Product Drawing (mm)



LWFE-140 Series

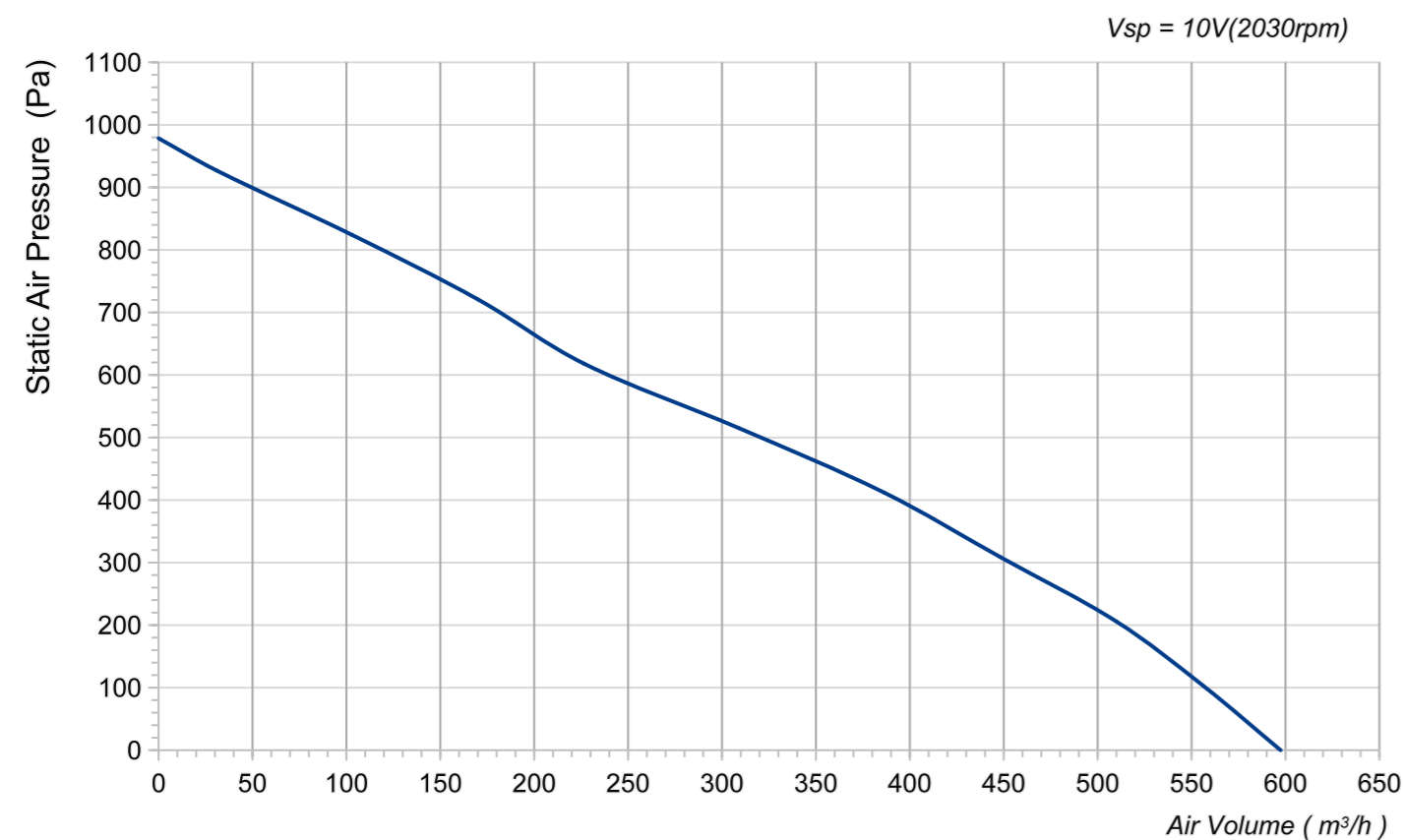
Product Characteristic

- Material : Galvanised sheet steel
- Mode of operation: S1
- Type of operation: IP55
- Insulation class: B
- Bearing: Maintenance-free ball bearings
- Operation Temperature: -30~+60 C

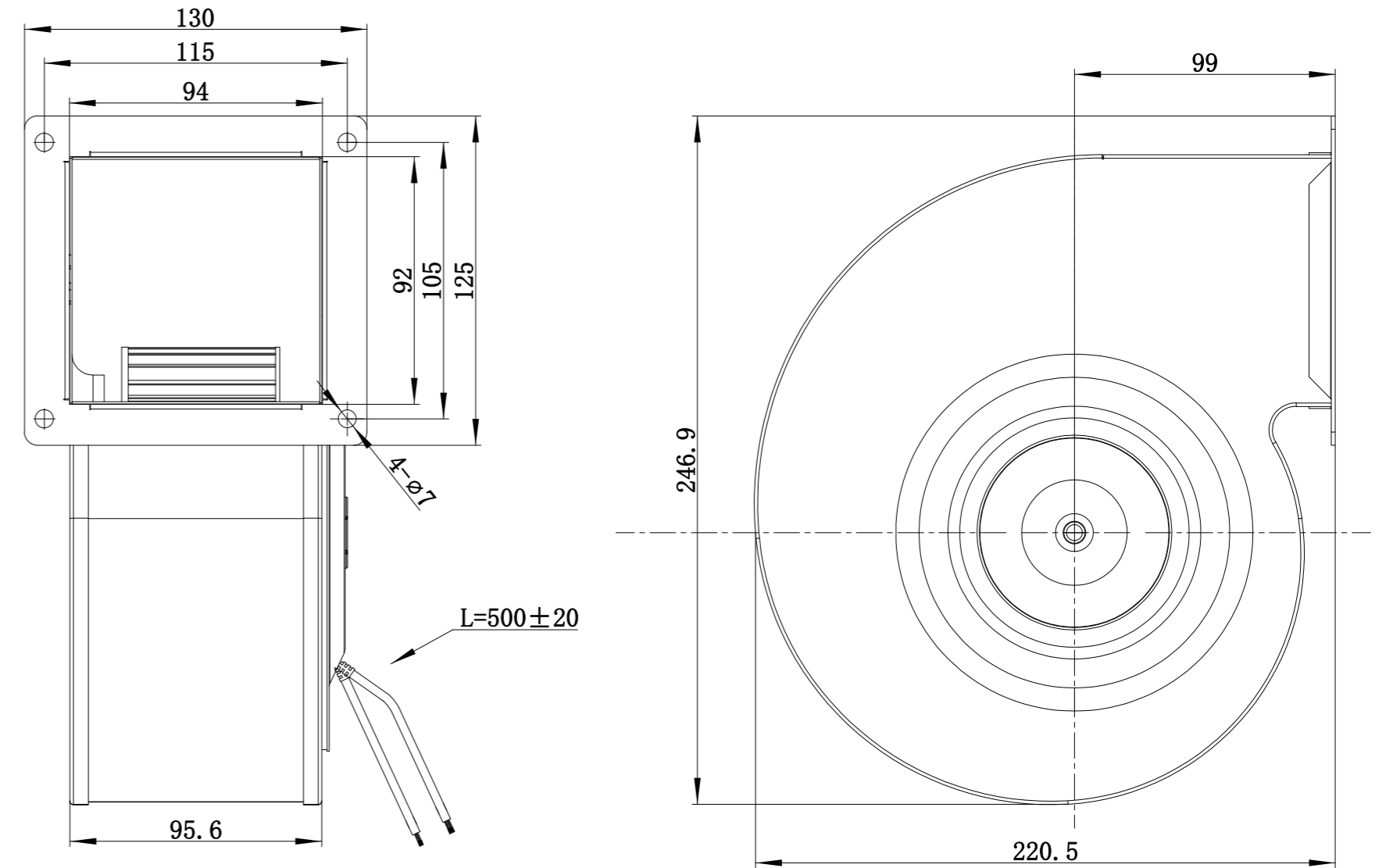


Technical Specifications

Model	Voltage (V)	Frequency (Hz)	Power (W)	Current (A)	Speed (RPM)	Air Flow (m³/h)	Air Pressure (Pa)	Noise [dB(A)]	Curve
LWFE3G140-072SS-03	230	50/60	110	0.8	2030	597	979	65	/



Product Drawing (mm)



LWFE-140 Series

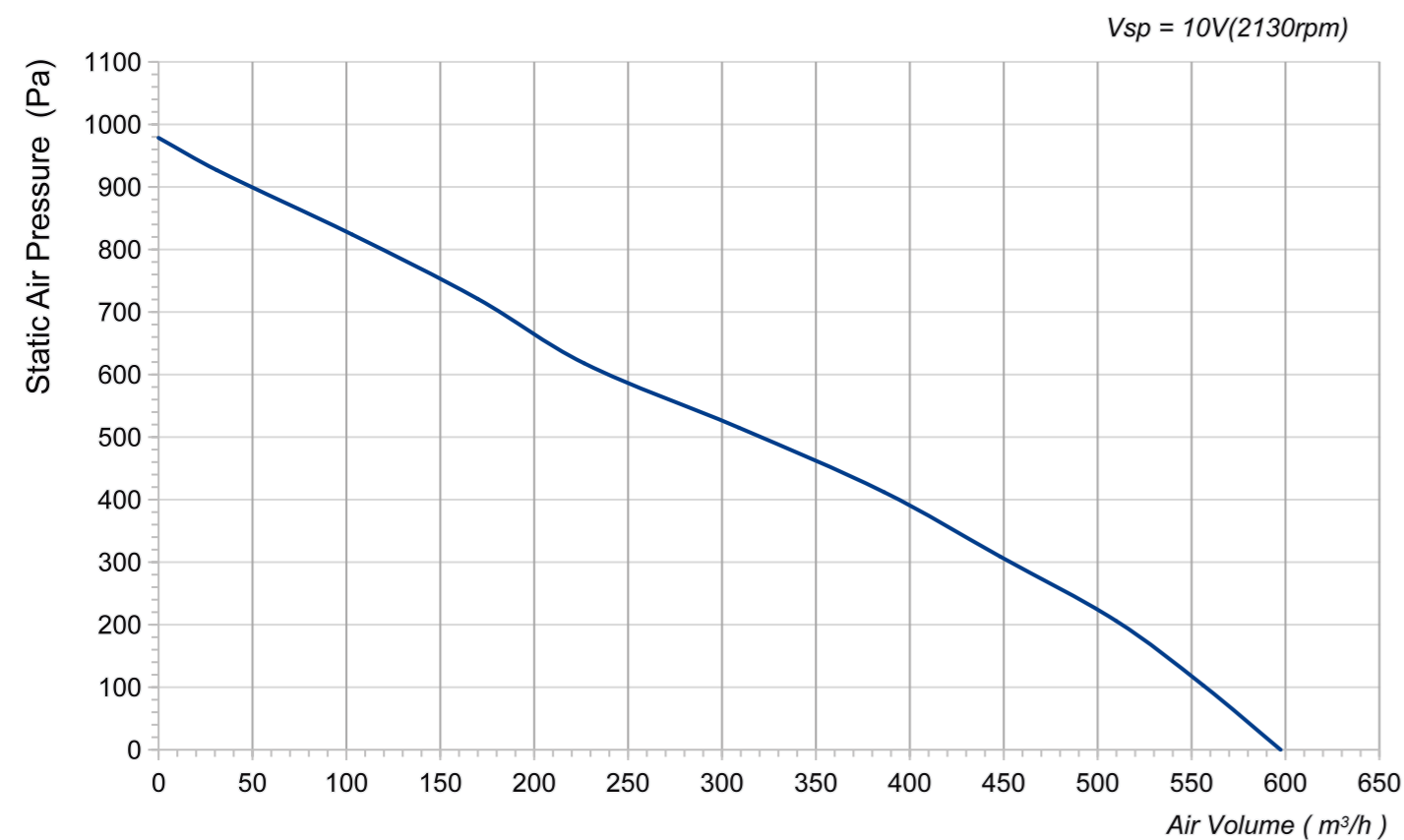
Product Characteristic

- Material : PA6+GF
- Mode of operation: S1
- Type of operation: IP55
- Insulation class: B
- Bearing: Maintenance-free ball bearings
- Operation Temperature: -30~+60 C

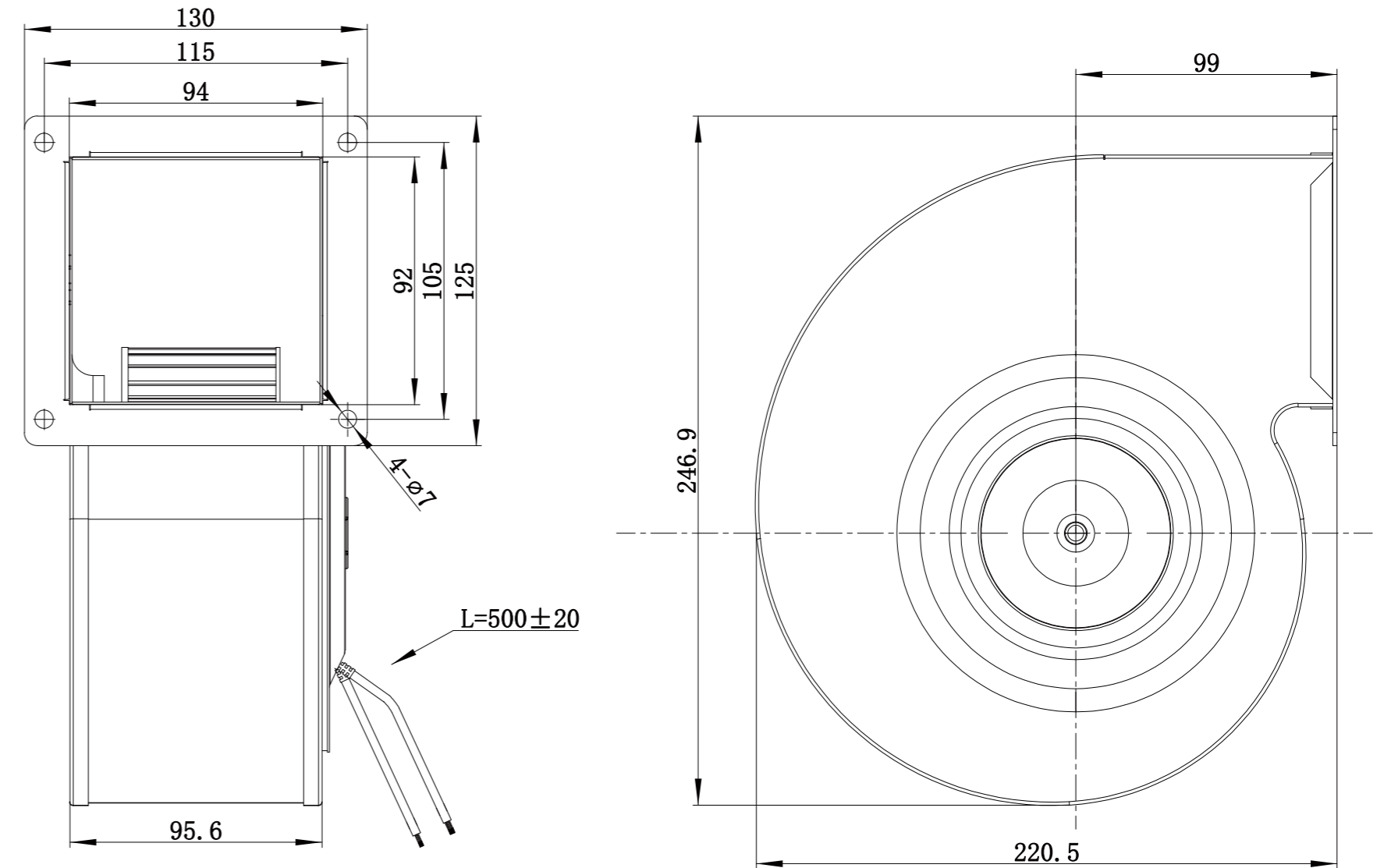


Technical Specifications

Model	Voltage (V)	Frequency (Hz)	Power (W)	Current (A)	Speed (RPM)	Air Flow (m³/h)	Air Pressure (Pa)	Noise [dB(A)]	Curve
LWFE3G140-072SS-04	230	50/60	110	0.8	2130	597	979	65	/



Product Drawing (mm)



LWFE-150 Series

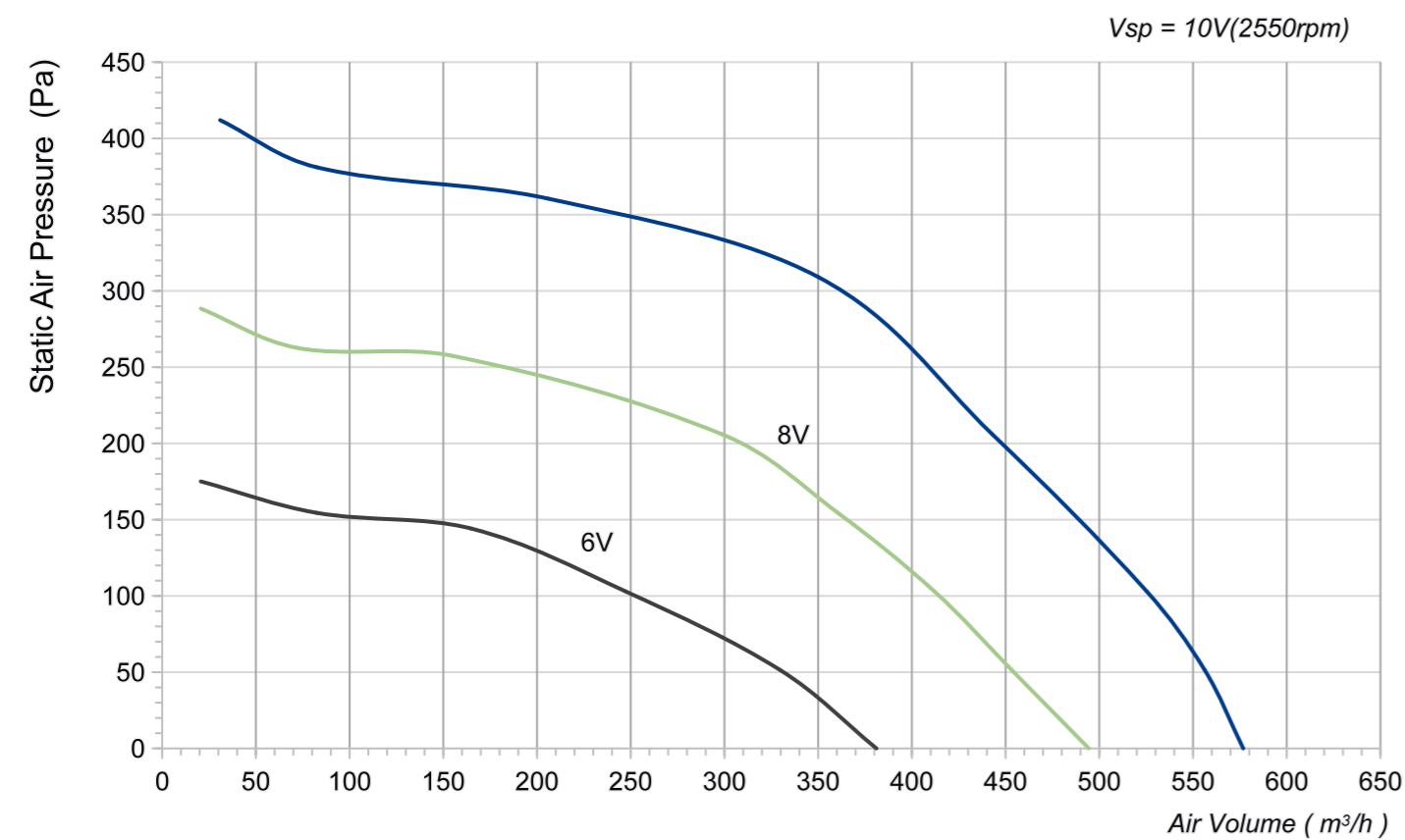
Product Characteristic

- Material : Galvanised sheet steel
- Mode of operation: S1
- Type of operation: IP54
- Insulation class: F
- Bearing: Maintenance-free ball bearings
- Operation Temperature: -30~+60 C

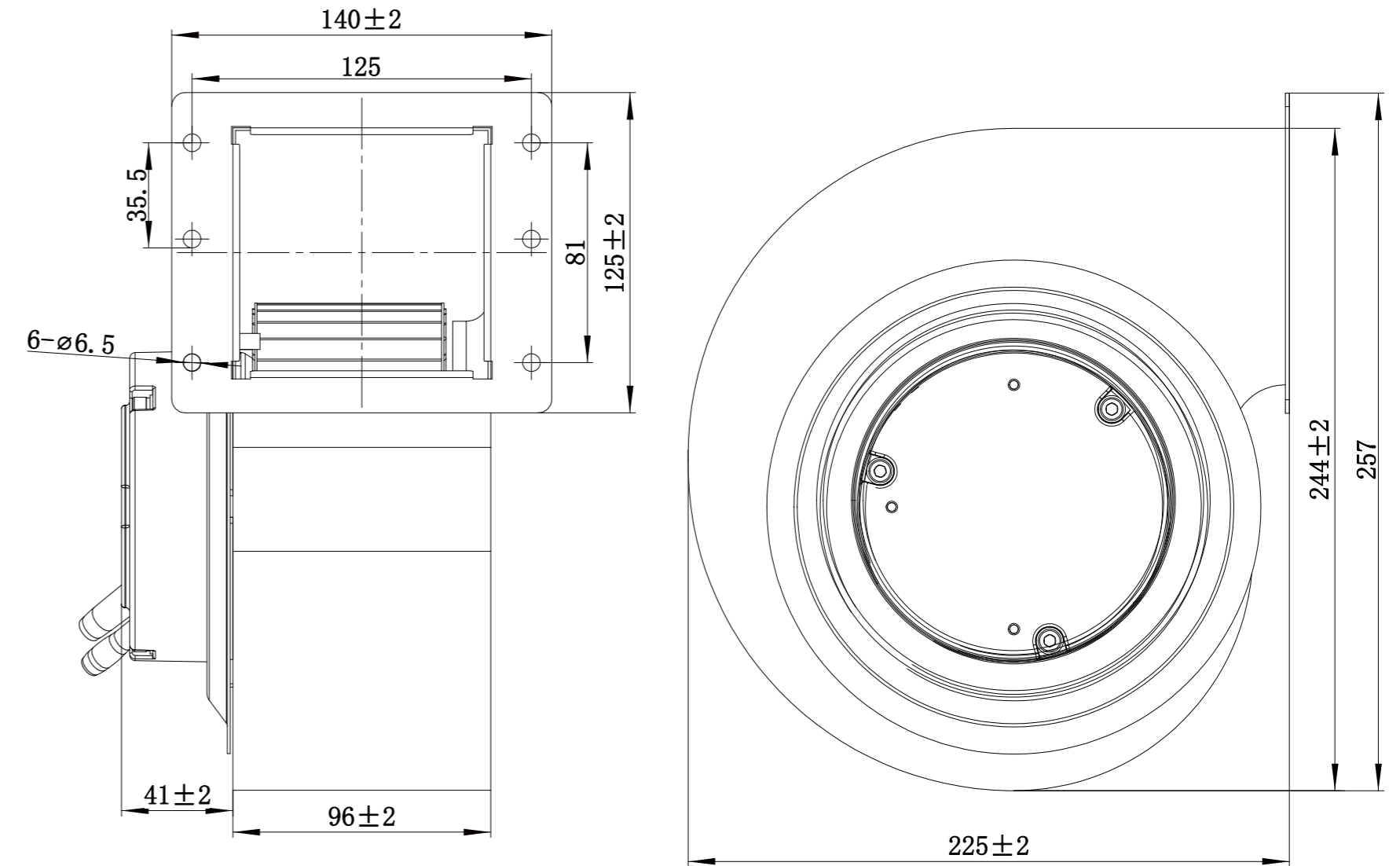


Technical Specifications

Model	Voltage (V)	Frequency (Hz)	Power (W)	Current (A)	Speed (RPM)	Air Flow (m³/h)	Air Pressure (Pa)	Noise [dB(A)]	Curve
LWFE3G150-092SS-01	230	50/60	150	1.4	2550	577	412	72	/



Product Drawing (mm)



LWFE-160 Series

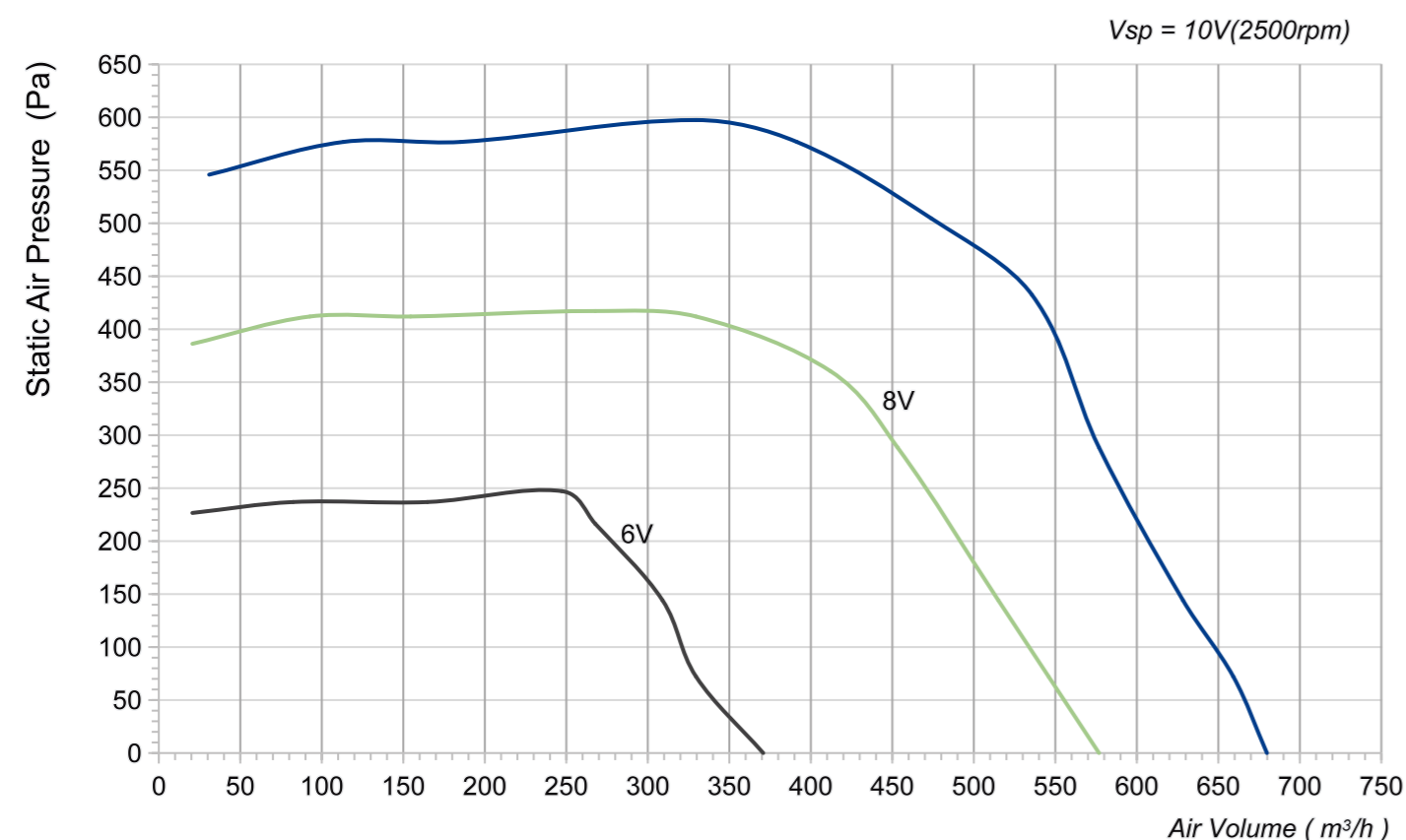
Product Characteristic

- Material : Galvanised sheet steel
- Mode of operation: S1
- Type of operation: IP54
- Insulation class: F
- Bearing: Maintenance-free ball bearings
- Operation Temperature: -30~+60 C

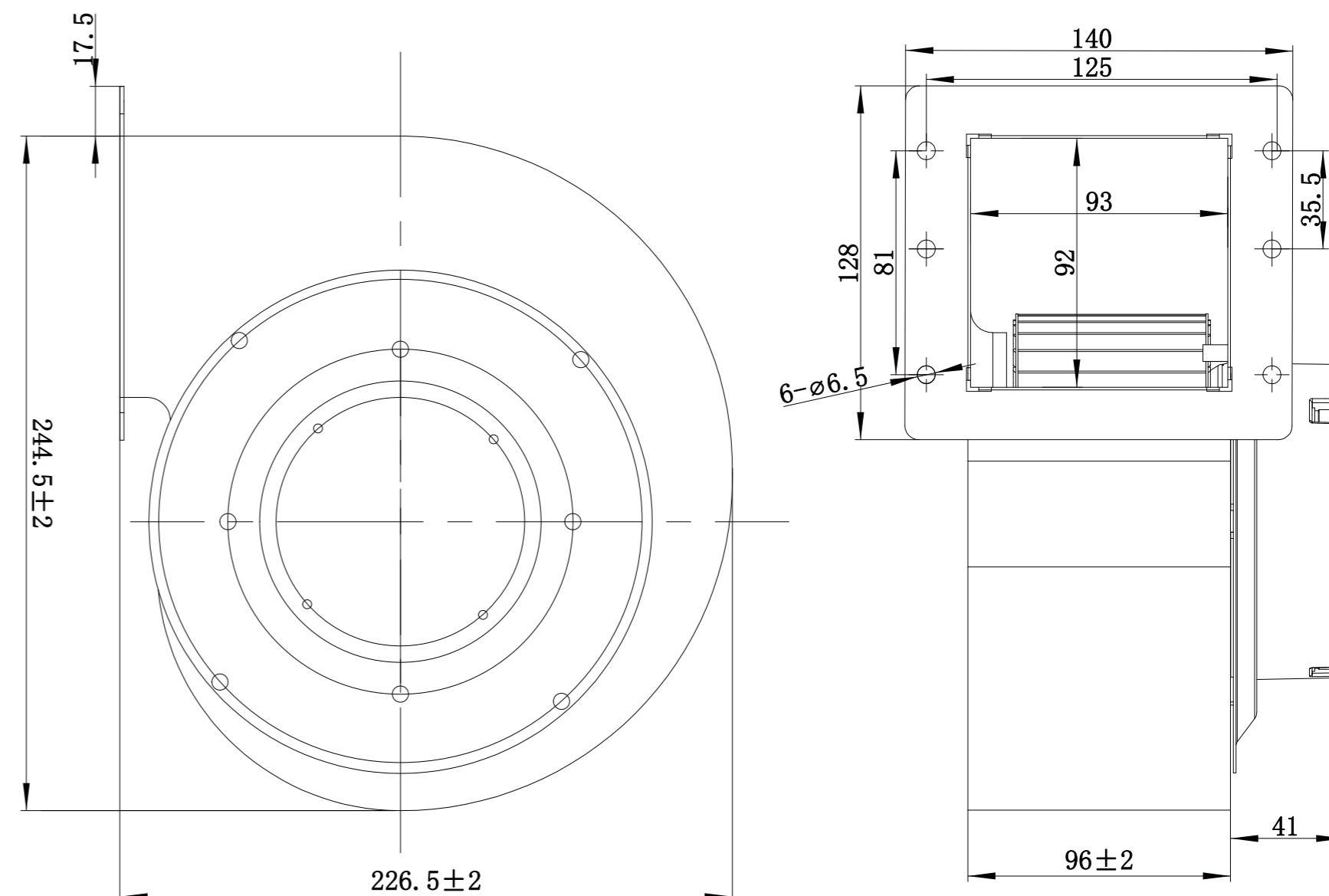


Technical Specifications

Model	Voltage (V)	Frequency (Hz)	Power (W)	Current (A)	Speed (RPM)	Air Flow (m³/h)	Air Pressure (Pa)	Noise [dB(A)]	Curve
LWFE3G160-092SS-01	230	50/60	240	1.8	2500	680	556	72	/



Product Drawing (mm)



LWFE-160 Series

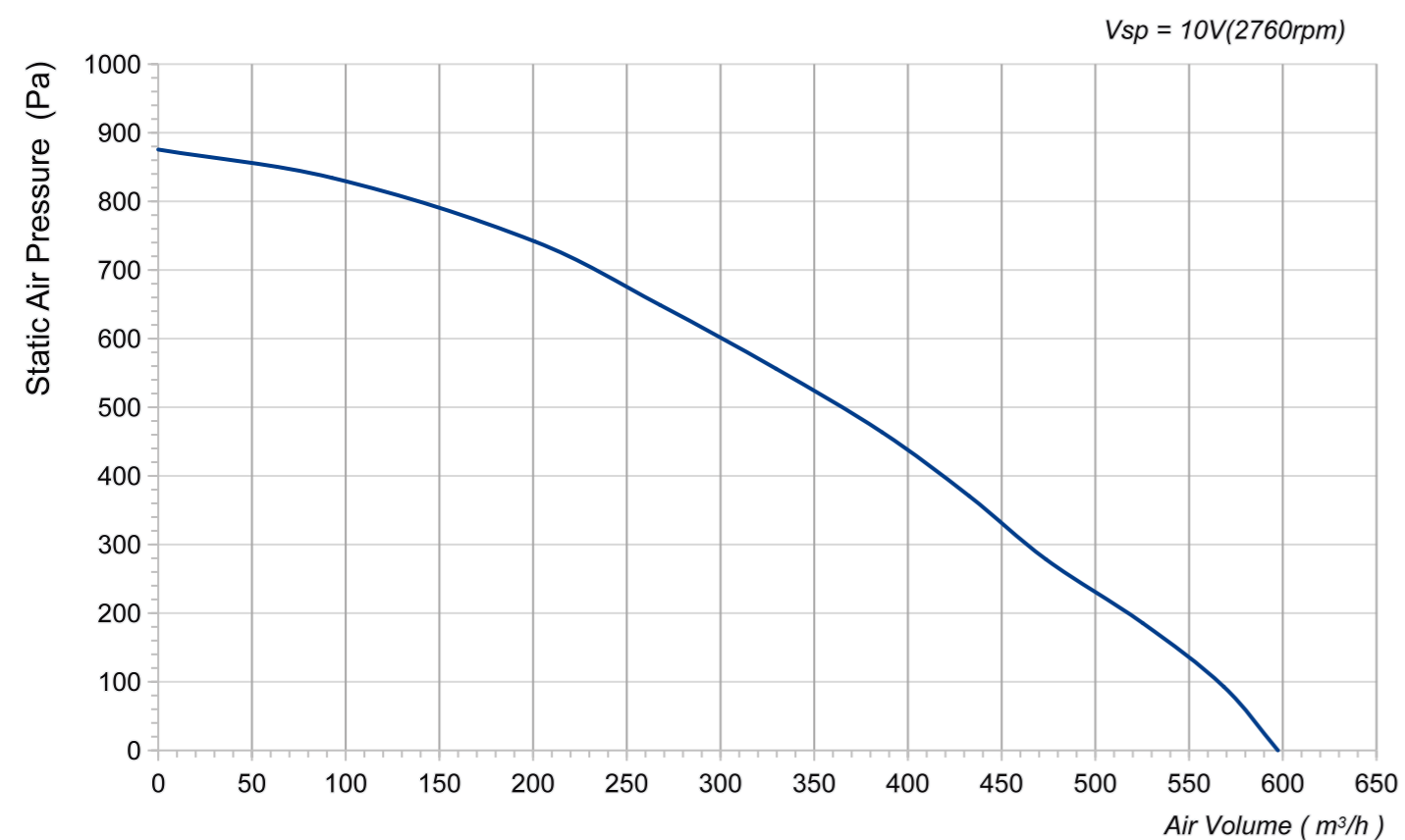
Product Characteristic

- Material : Galvanised sheet steel
- Mode of operation: S1
- Type of operation: IP55
- Insulation class: B
- Bearing: Maintenance-free ball bearings
- Operation Temperature: -30~+60 C

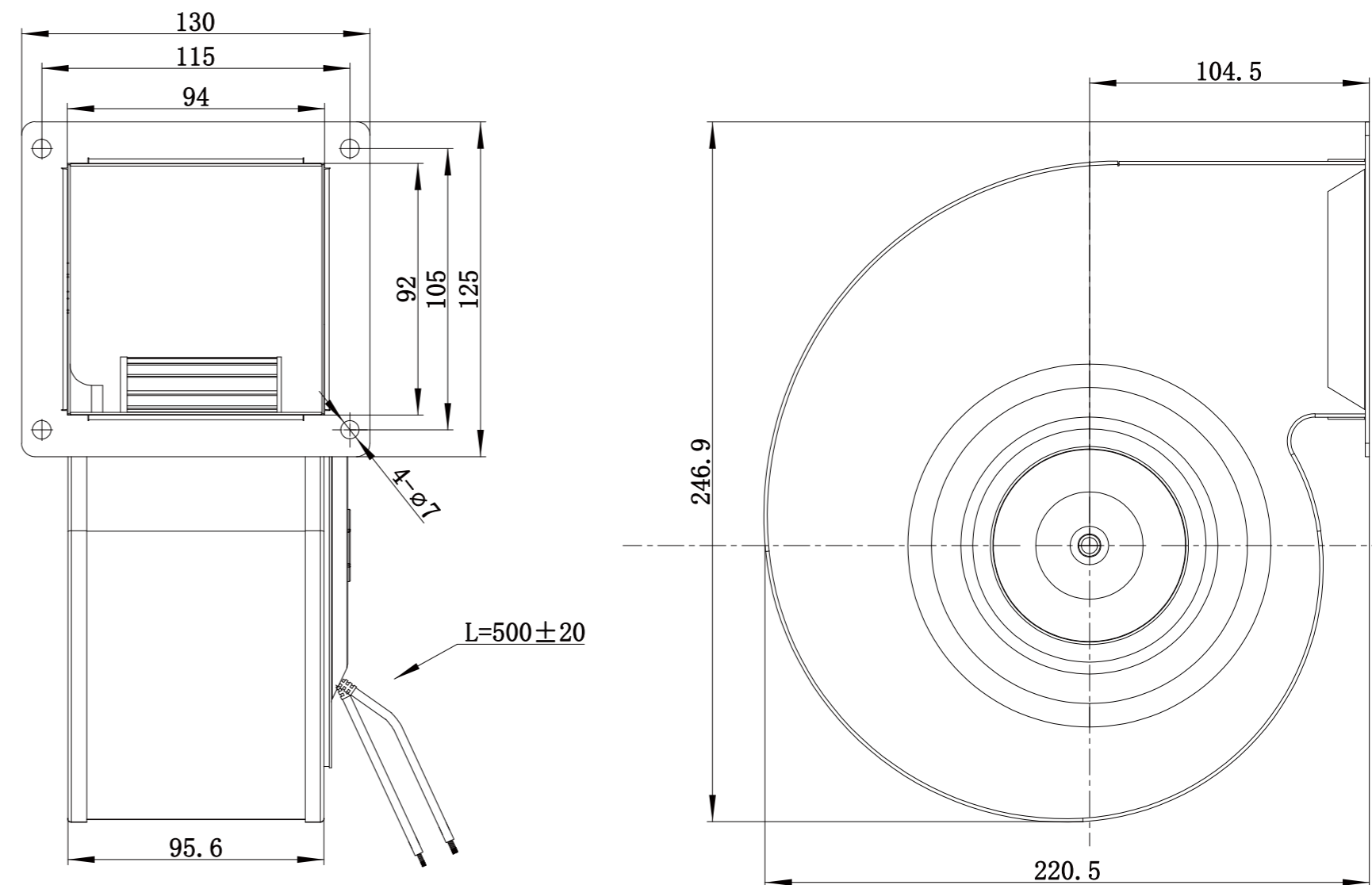


Technical Specifications

Model	Voltage (V)	Frequency (Hz)	Power (W)	Current (A)	Speed (RPM)	Air Flow (m³/h)	Air Pressure (Pa)	Noise [dB(A)]	Curve
LWFE3G160-072SS-03	230	50/60	115	0.9	2760	597	876	67	/



Product Drawing (mm)



LWFE-160 Series

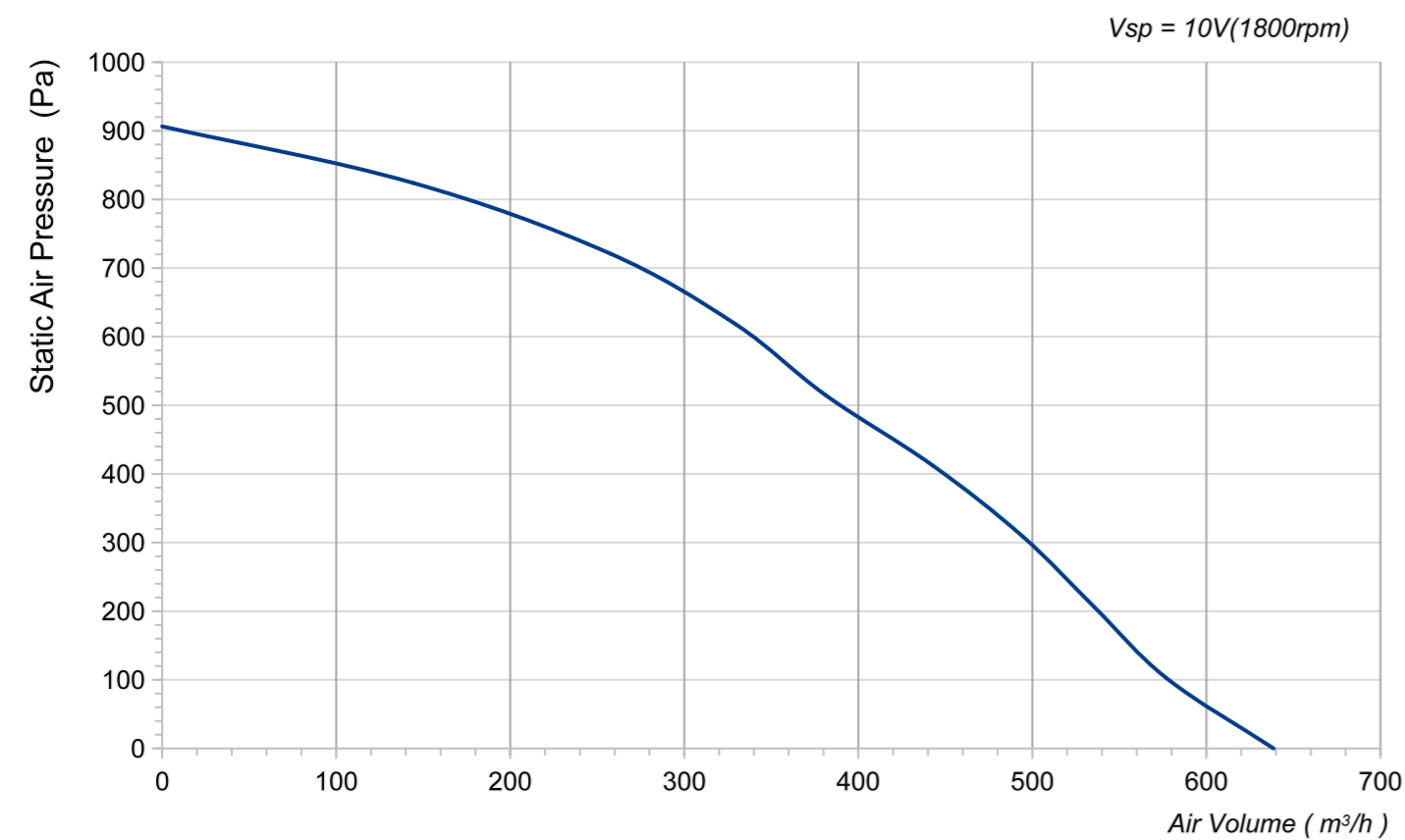
Product Characteristic

- Material : PA6+GF
- Mode of operation: S1
- Type of operation: IP55
- Insulation class: B
- Bearing: Maintenance-free ball bearings
- Operation Temperature: -30~+60 C

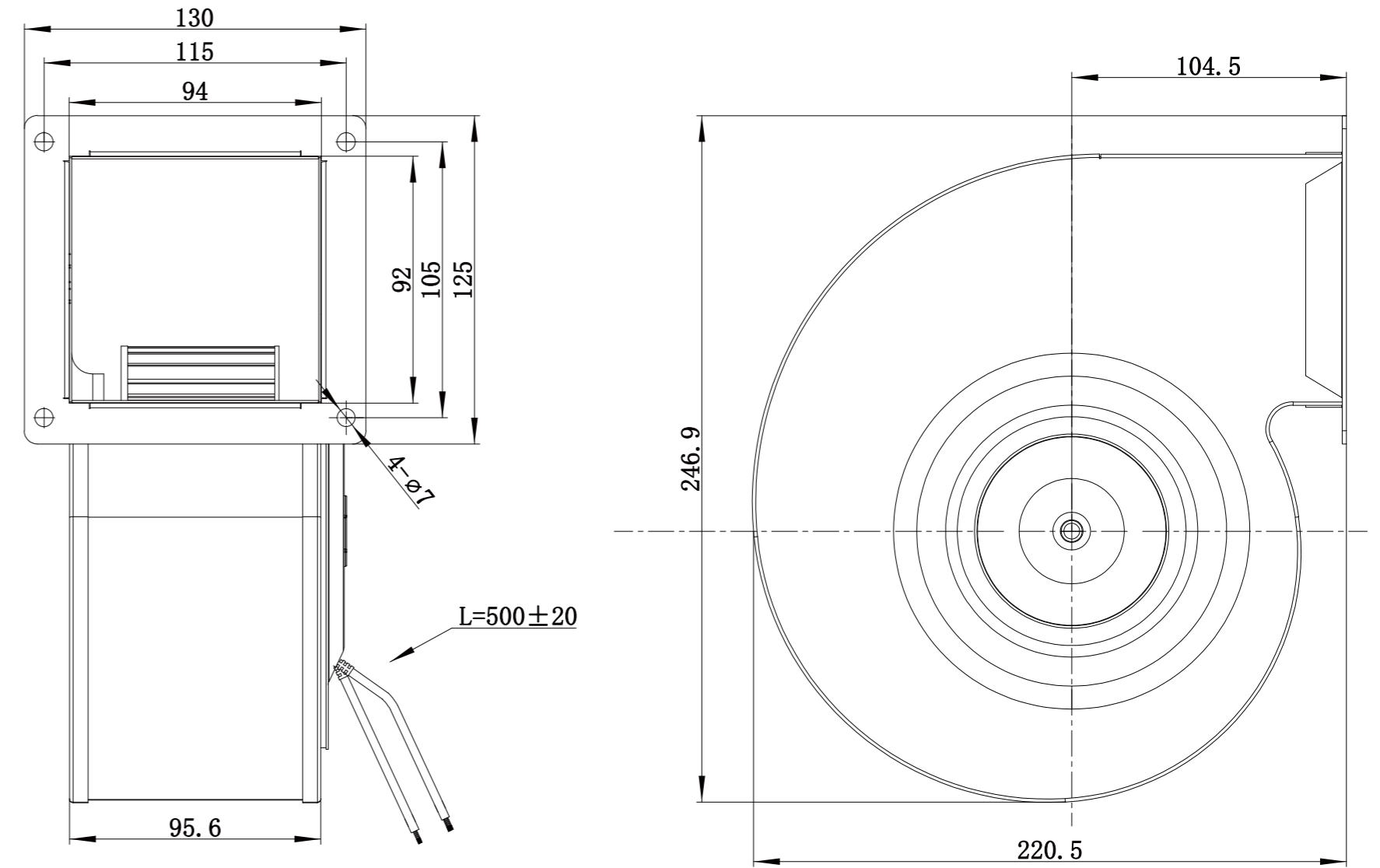


Technical Specifications

Model	Voltage (V)	Frequency (Hz)	Power (W)	Current (A)	Speed (RPM)	Air Flow (m³/h)	Air Pressure (Pa)	Noise [dB(A)]	Curve
LWFE3G160-072SS-06	230	50/60	115	0.85	1800	639	906	64	/



Product Drawing (mm)



LWFE-160 Series

Product Characteristic

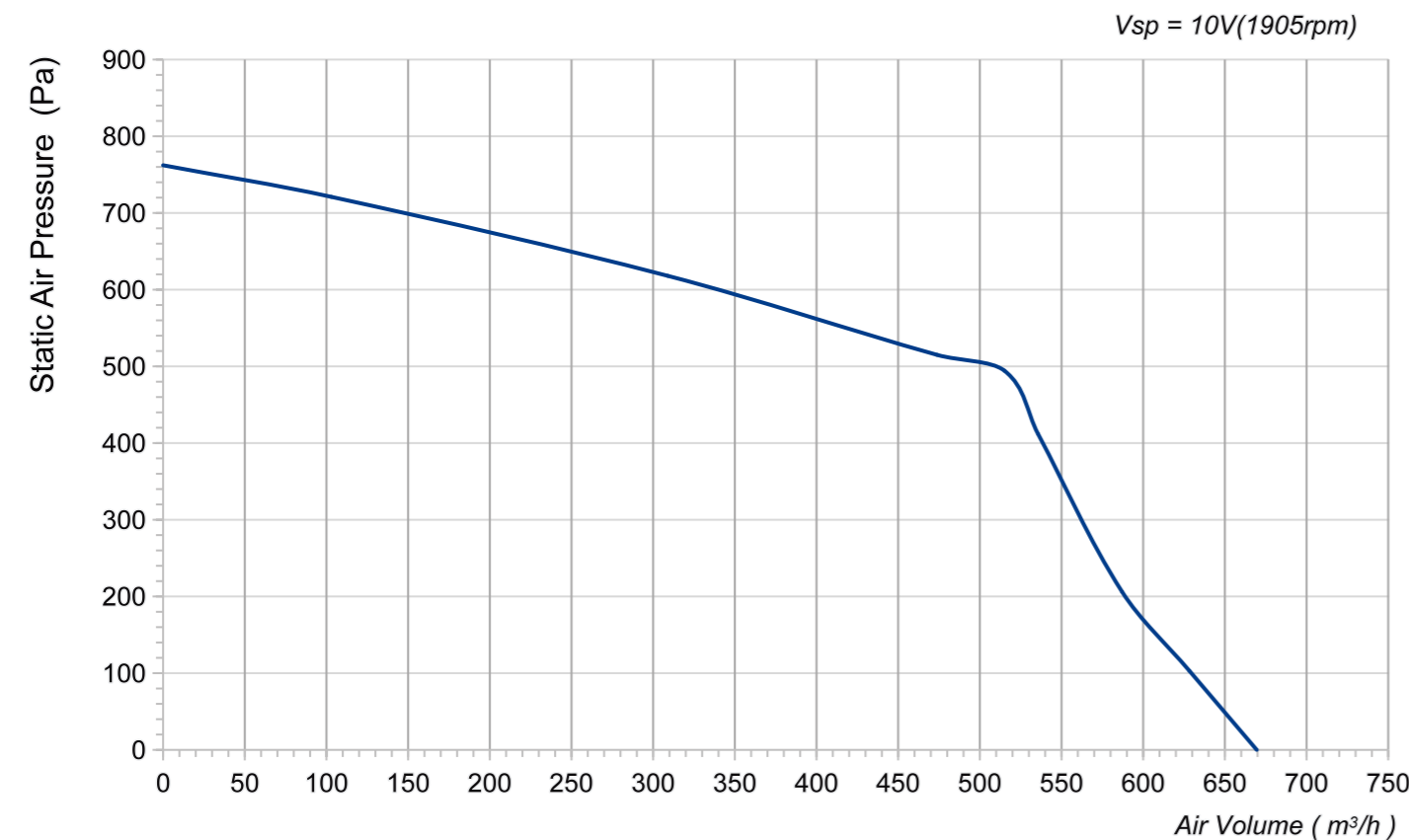
- Material : Galvanised sheet steel
- Mode of operation: S1
- Type of operation: IP54
- Insulation class: F
- Bearing: Maintenance-free ball bearings
- Operation Temperature: -30~+60 C



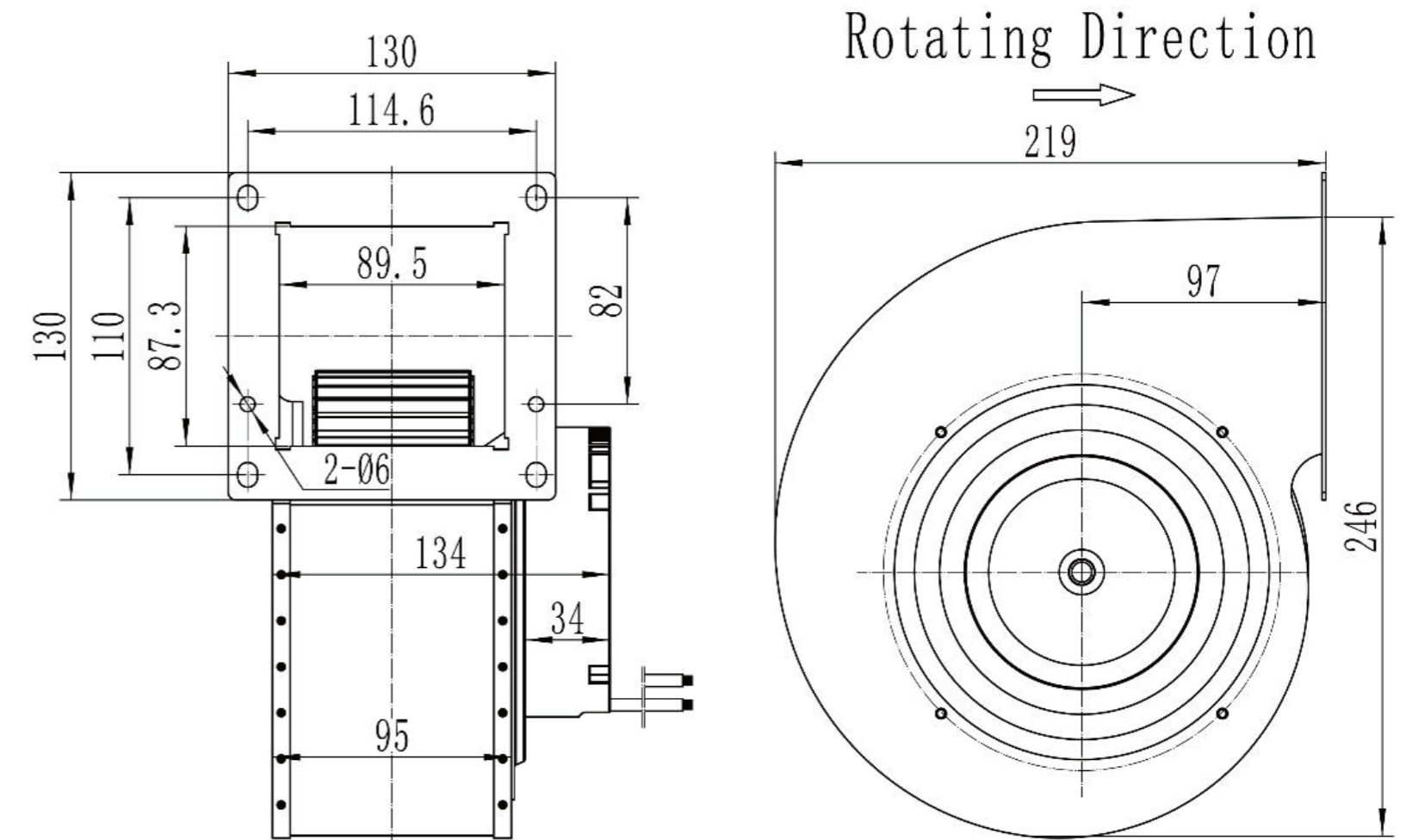
RECOMMEND

Technical Specifications

Model	Voltage (V)	Frequency (Hz)	Power (W)	Current (A)	Speed (RPM)	Air Flow (m³/h)	Air Pressure (Pa)	Noise [dB(A)]	Curve
LWFE3G160-092SS-02	230	50/60	143	0.65	1905	666	773	/	/



Product Drawing (mm)



LWFE-160 Series

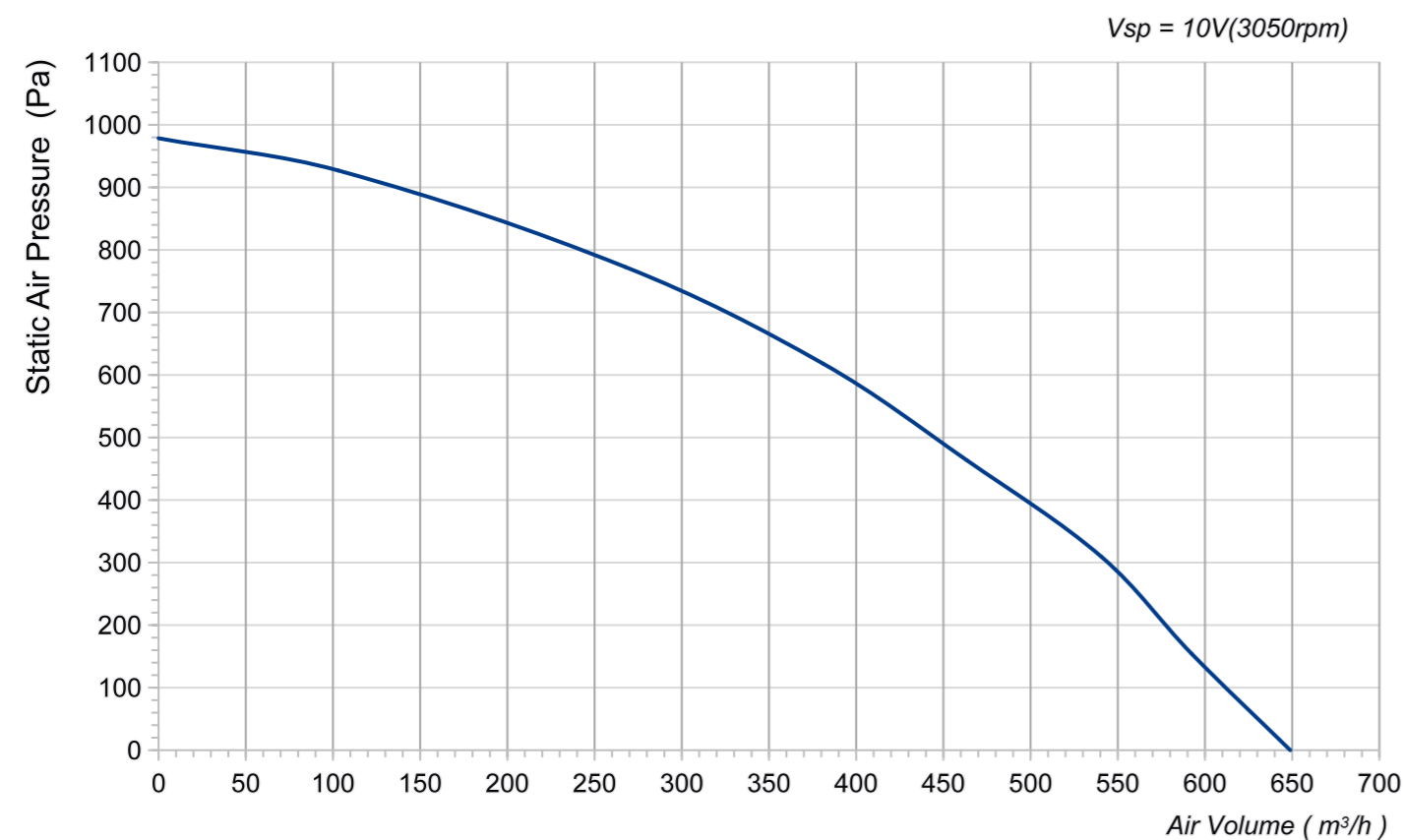
Product Characteristic

- Material : Galvanised sheet steel
- Mode of operation: S1
- Type of operation: IP55
- Insulation class: B
- Bearing: Maintenance-free ball bearings
- Operation Temperature: -30~+60 C

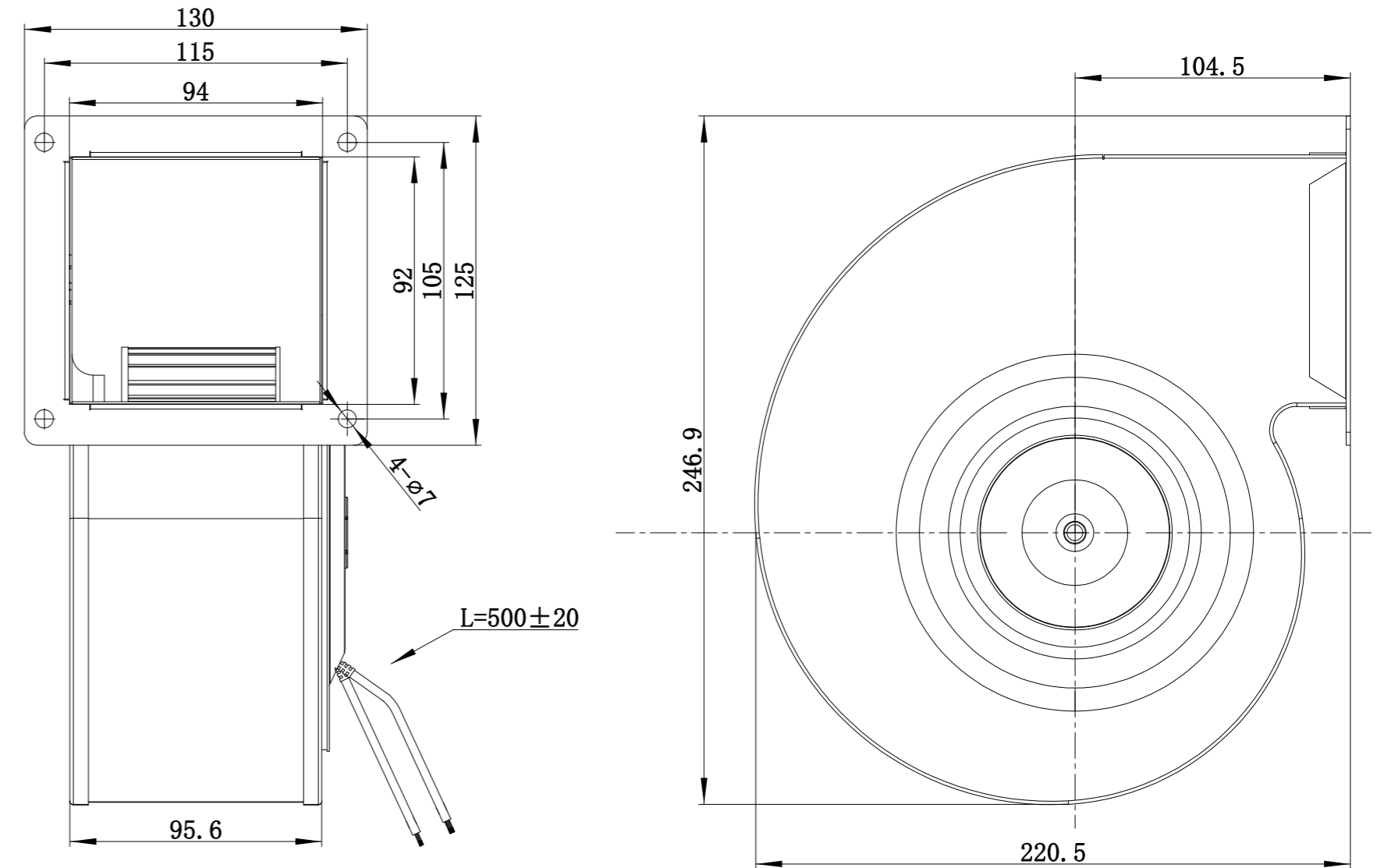


Technical Specifications

Model	Voltage (V)	Frequency (Hz)	Power (W)	Current (A)	Speed (RPM)	Air Flow (m³/h)	Air Pressure (Pa)	Noise [dB(A)]	Curve
LWFE3G160-072SS-04	230	50/60	155	1.1	3050	649	989	68	/



Product Drawing (mm)



LWFE-160 Series

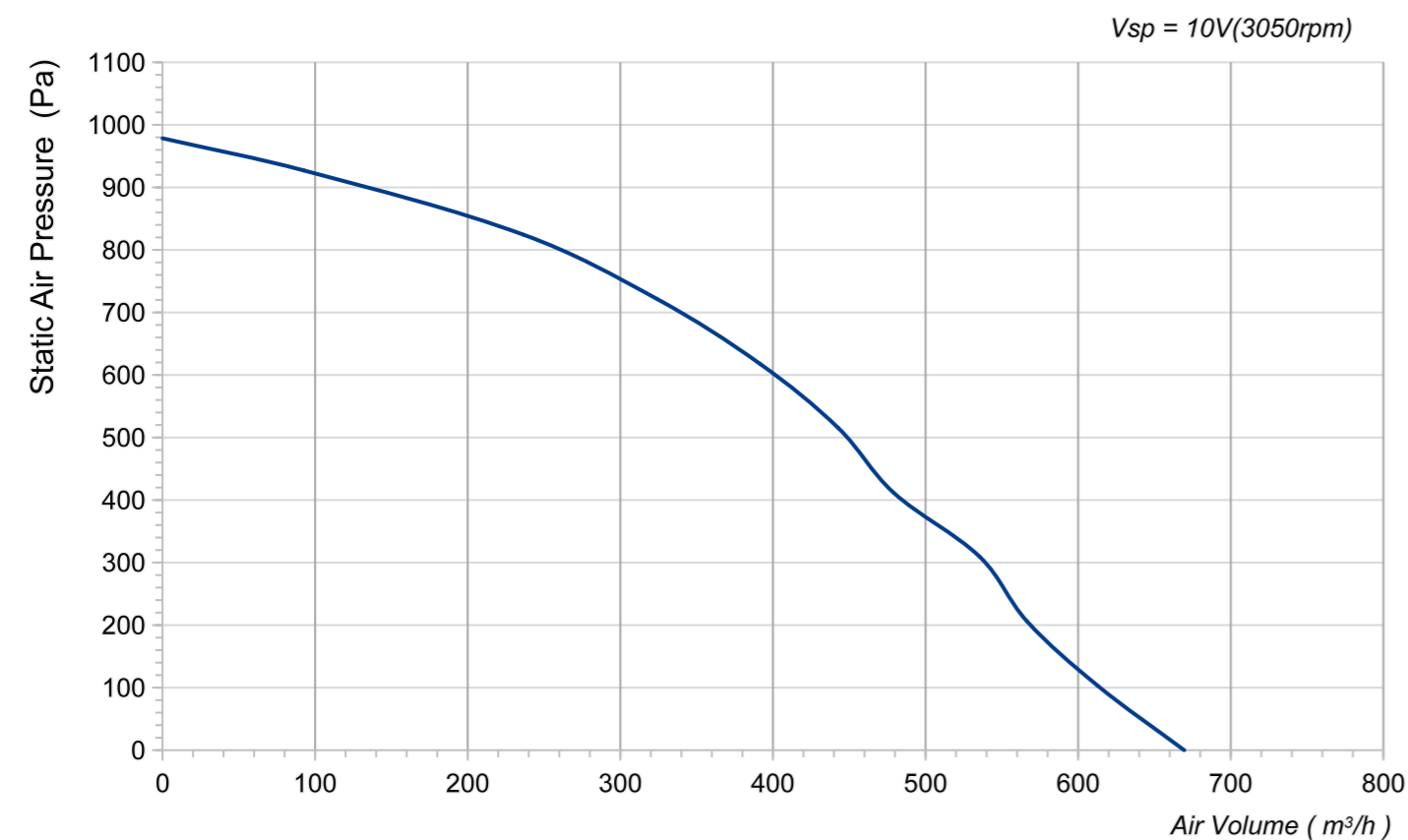
Product Characteristic

- Material : PA6+GF
- Mode of operation: S1
- Type of operation: IP55
- Insulation class: B
- Bearing: Maintenance-free ball bearings
- Operation Temperature: -30~+60 C

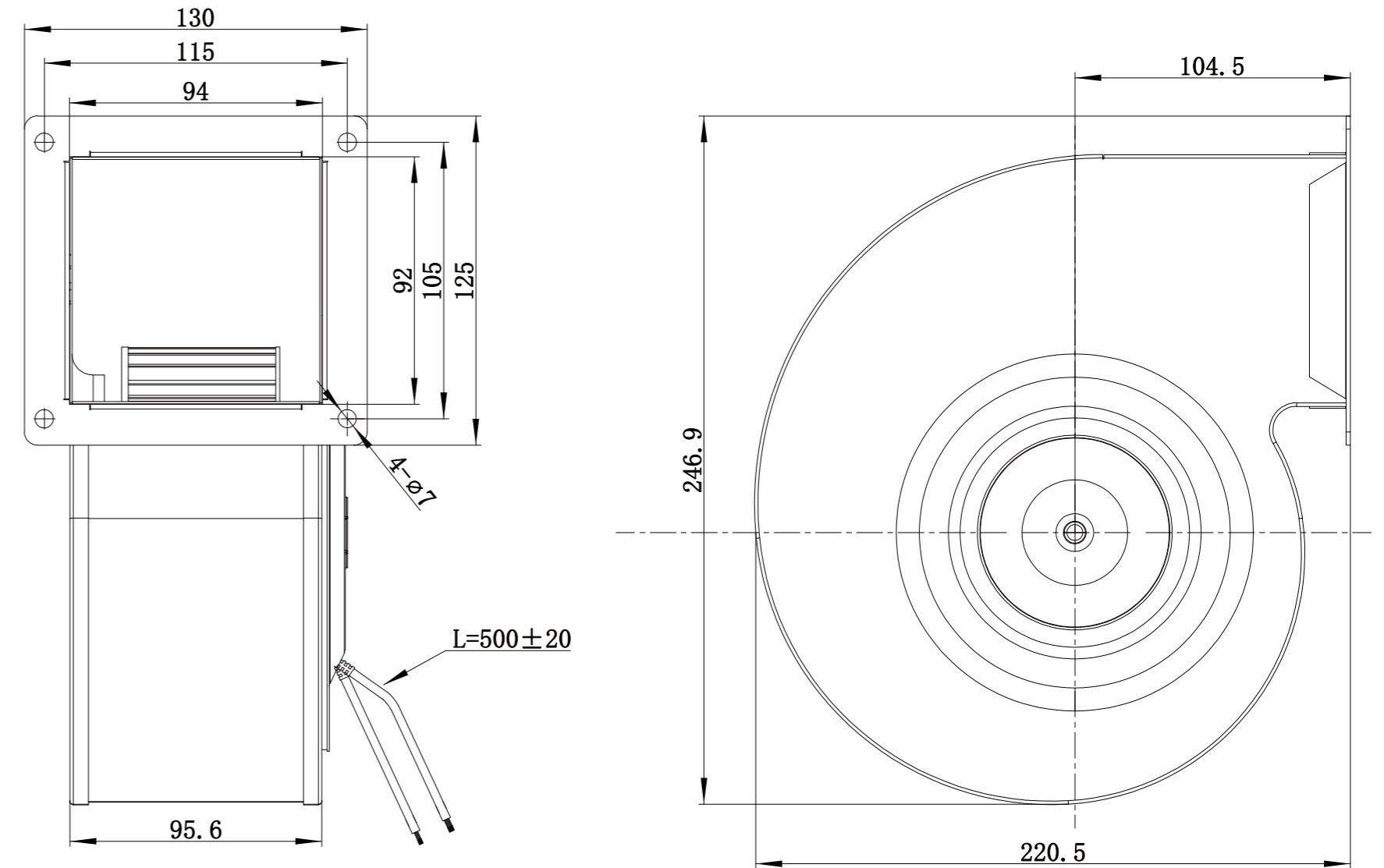


Technical Specifications

Model	Voltage (V)	Frequency (Hz)	Power (W)	Current (A)	Speed (RPM)	Air Flow (m³/h)	Air Pressure (Pa)	Noise [dB(A)]	Curve
LWFE3G160-072SS-07	230	50/60	170	1.2	3050	670	979	67	/



Product Drawing (mm)



LWFE-160 Series

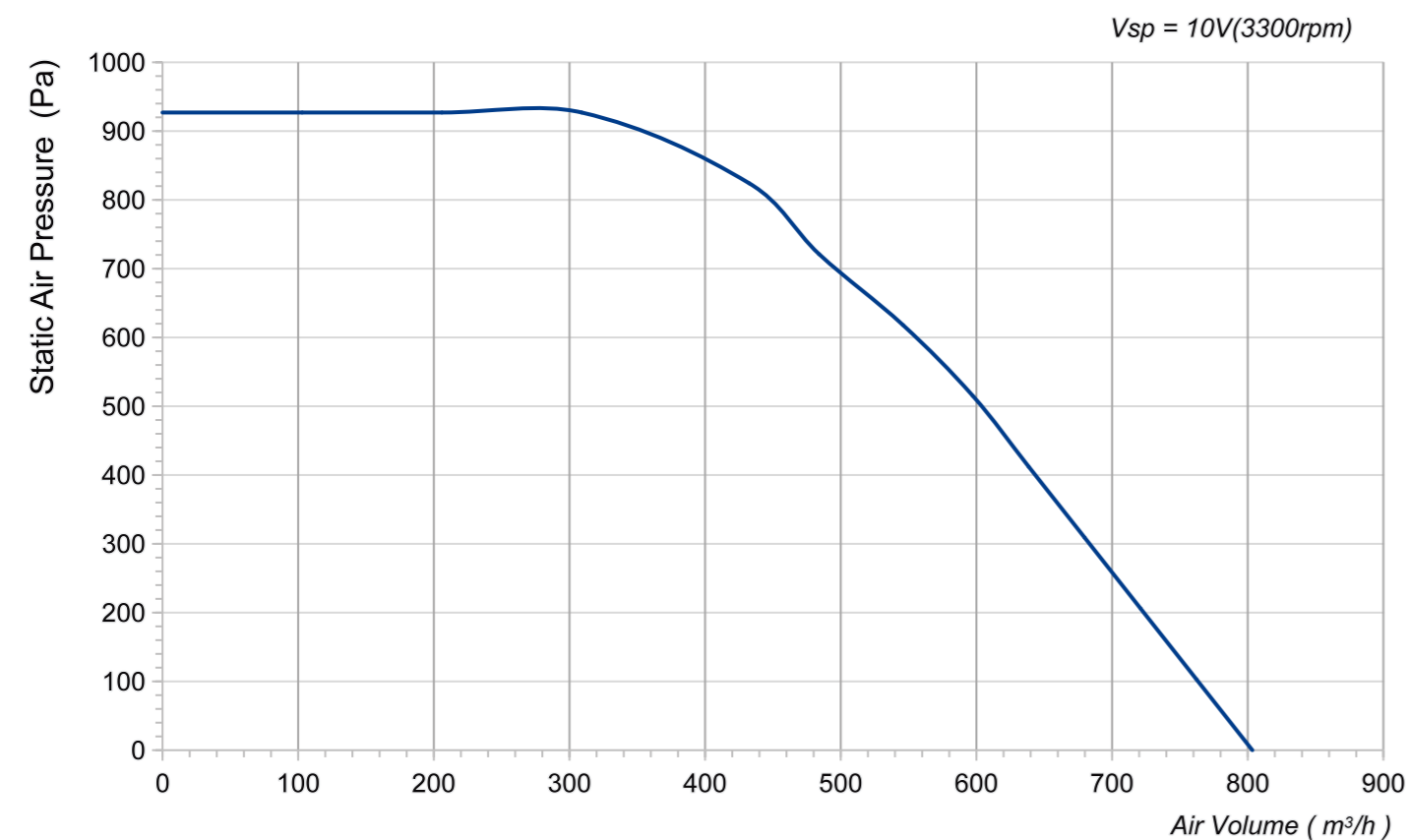
Product Characteristic

- Material : Galvanised sheet steel
- Mode of operation: S1
- Type of operation: IP55
- Insulation class: B
- Bearing: Maintenance-free ball bearings
- Operation Temperature: -30~+60 C

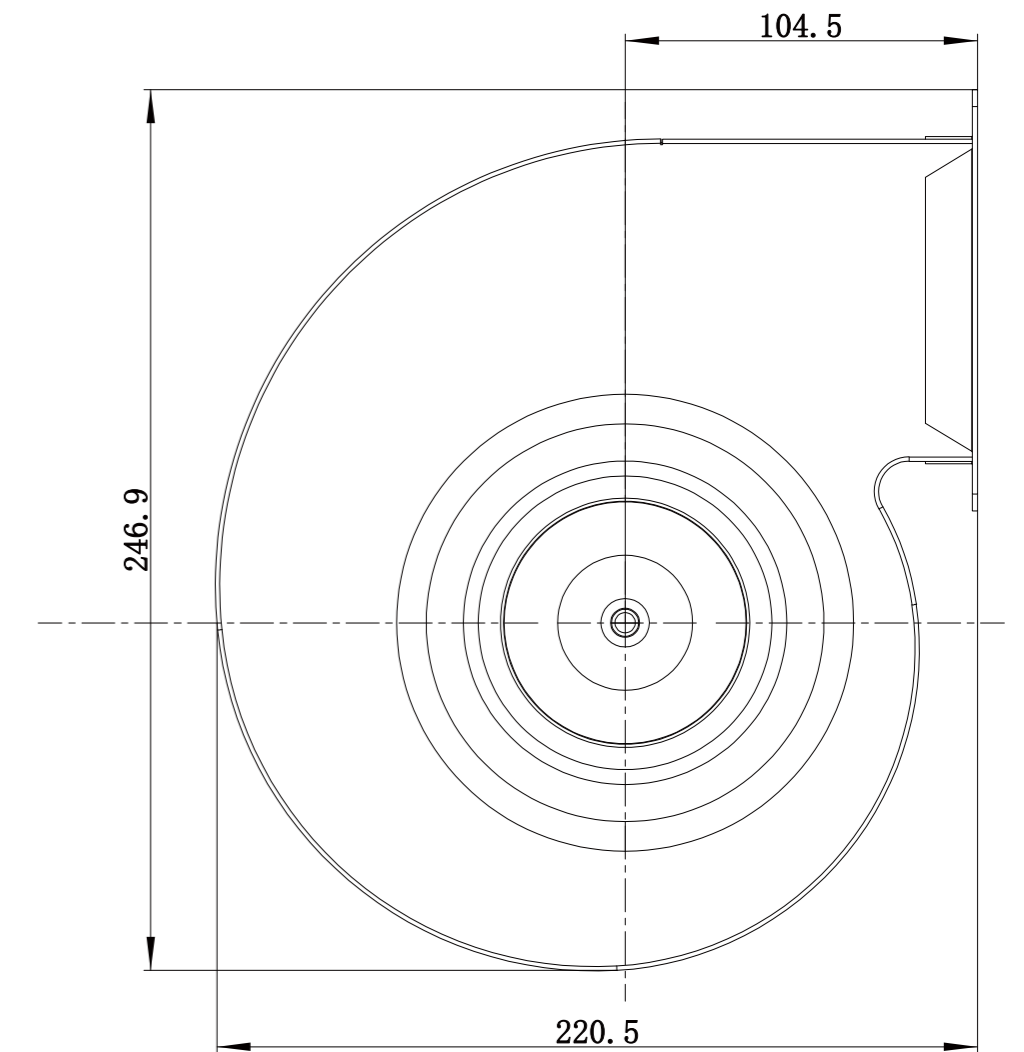
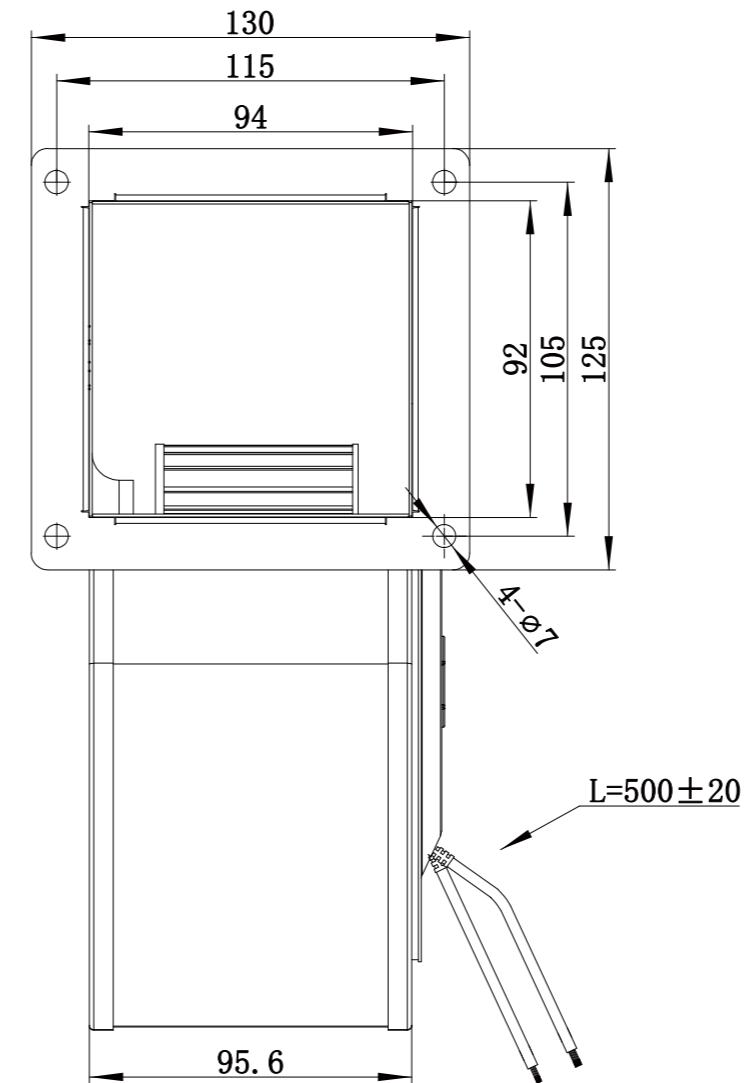


Technical Specifications

Model	Voltage (V)	Frequency (Hz)	Power (W)	Current (A)	Speed (RPM)	Air Flow (m³/h)	Air Pressure (Pa)	Noise [dB(A)]	Curve
LWFE3G160-092SS-05	230	50/60	230	1.65	3300	803	927	75	/



Product Drawing (mm)



LWFE-160 Series

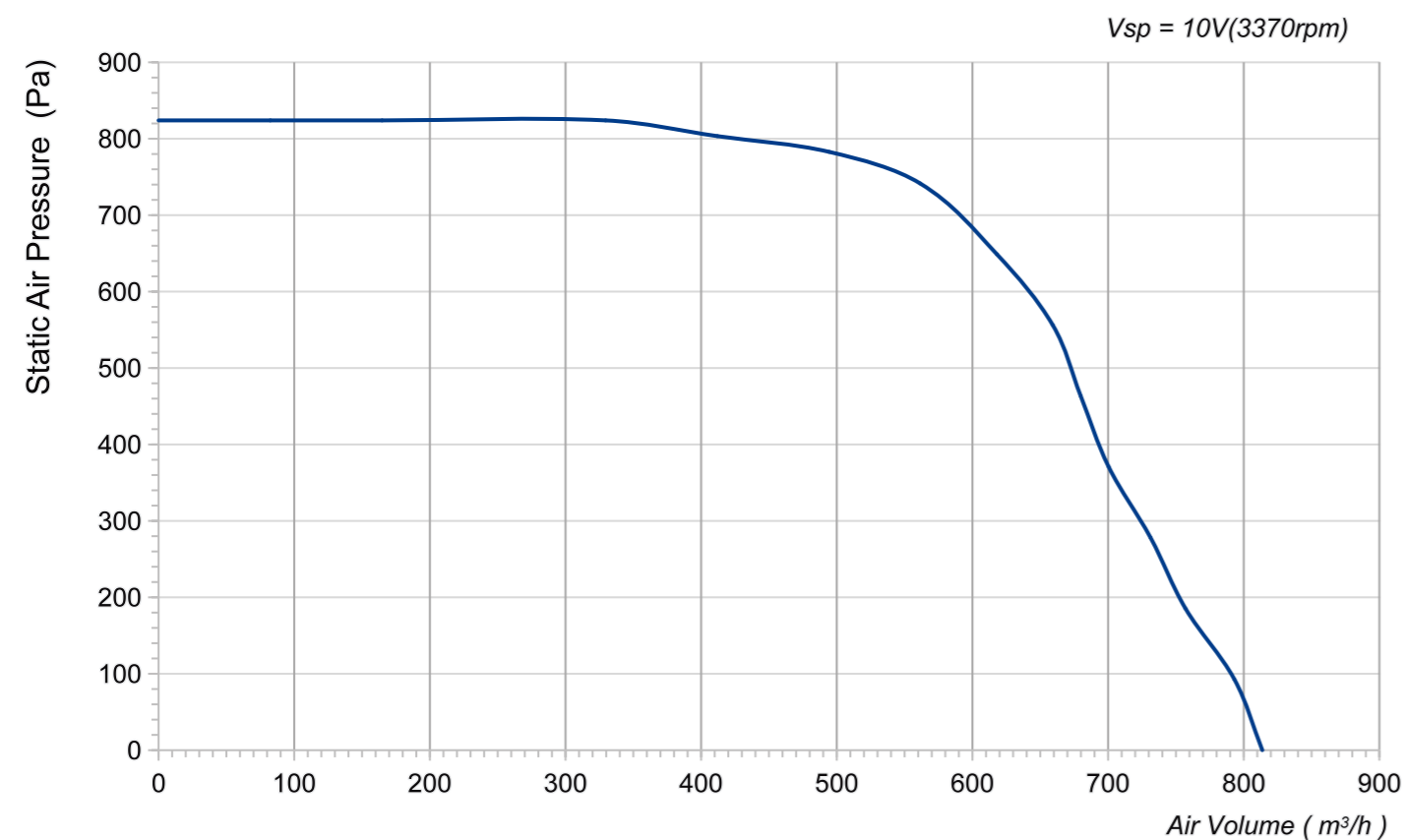
Product Characteristic

- Material : PA6+GF
- Mode of operation: S1
- Type of operation: IP55
- Insulation class: B
- Bearing: Maintenance-free ball bearings
- Operation Temperature: -30~+60 C

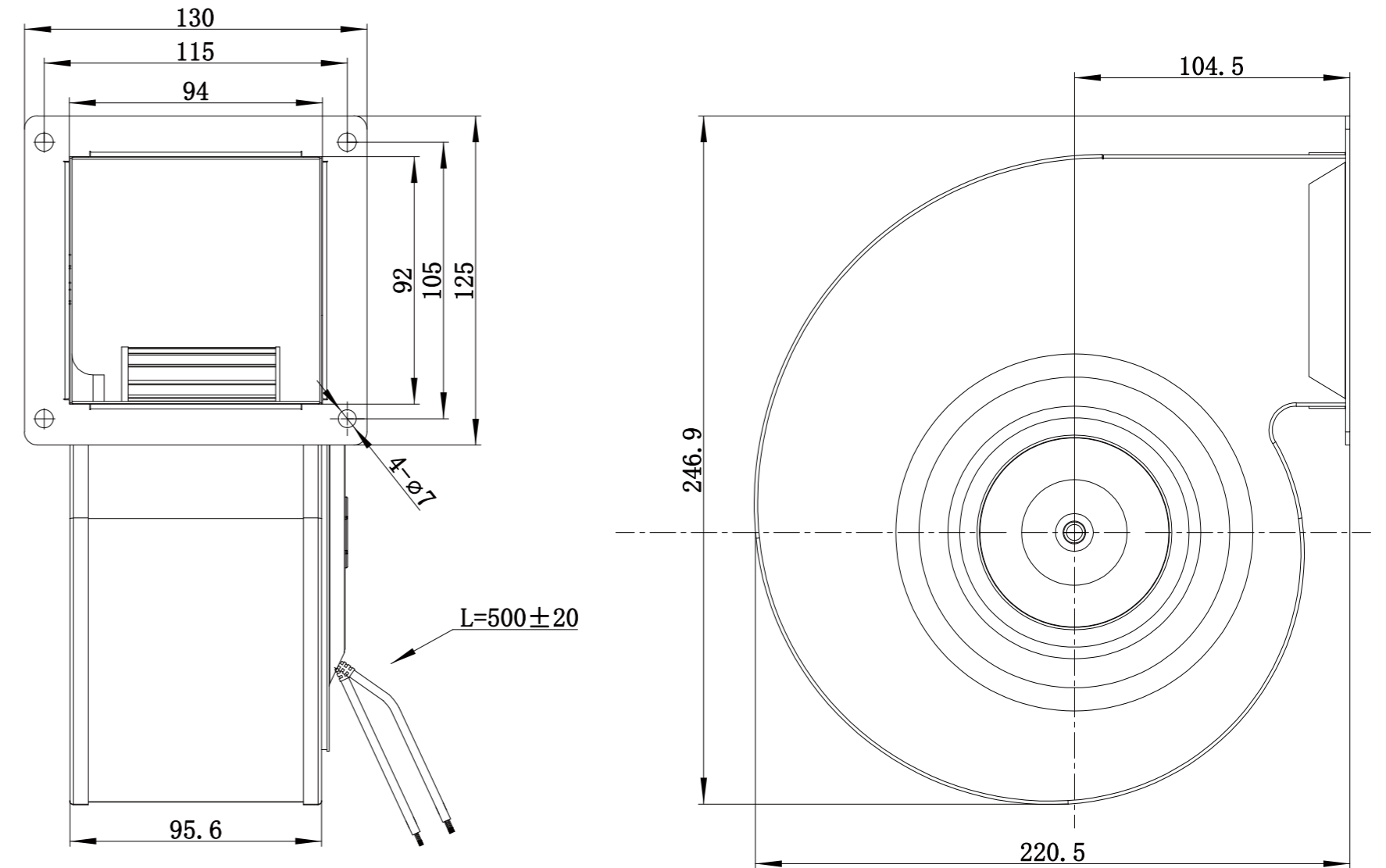


Technical Specifications

Model	Voltage (V)	Frequency (Hz)	Power (W)	Current (A)	Speed (RPM)	Air Flow (m³/h)	Air Pressure (Pa)	Noise [dB(A)]	Curve
LWFE3G160-092SS-08	230	50/60	230	1.65	3370	814	824	73	/



Product Drawing (mm)



LWFE-180 Series

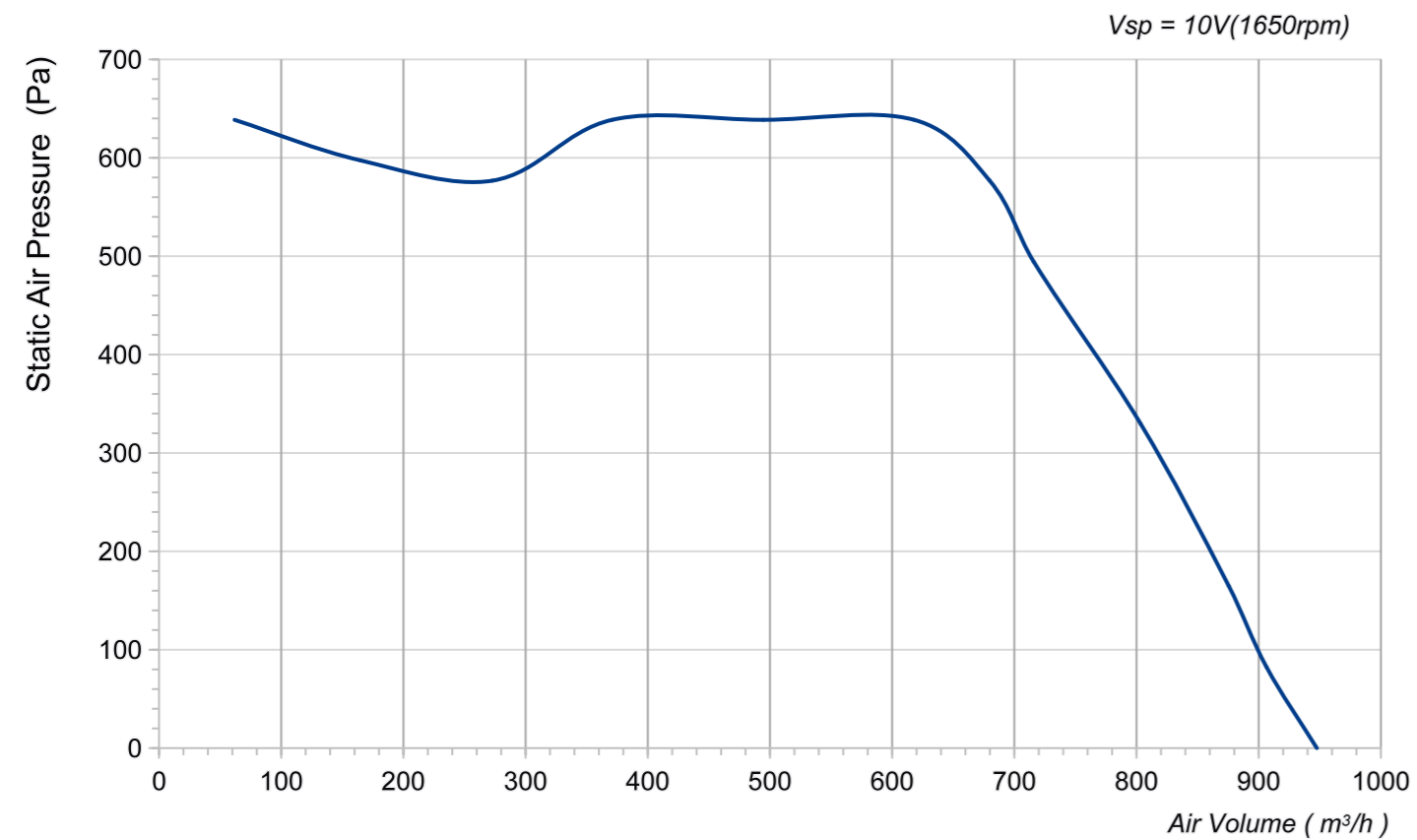
Product Characteristic

- Material : Galvanised sheet steel
- Mode of operation: S1
- Type of operation: IP54
- Insulation class: F
- Bearing: Maintenance-free ball bearings
- Operation Temperature: -30~+60 C

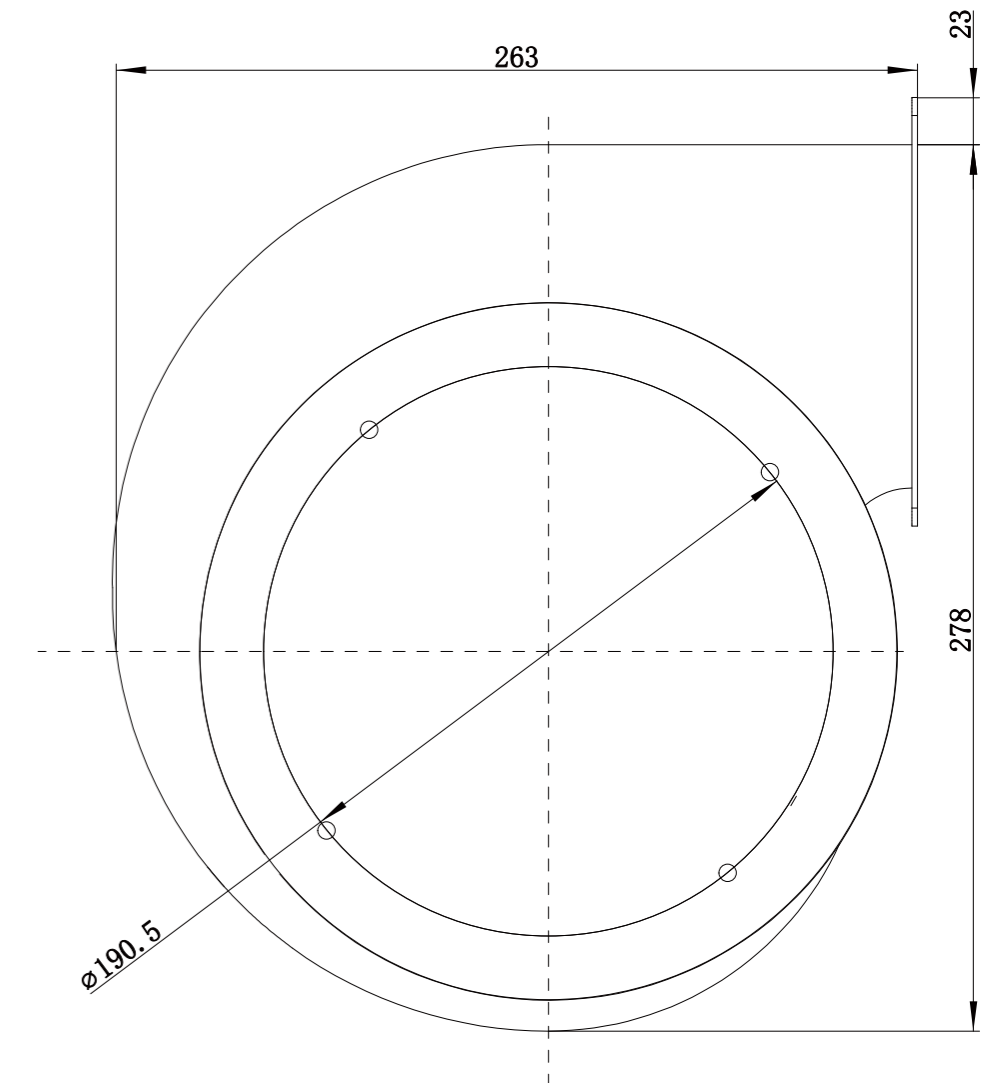
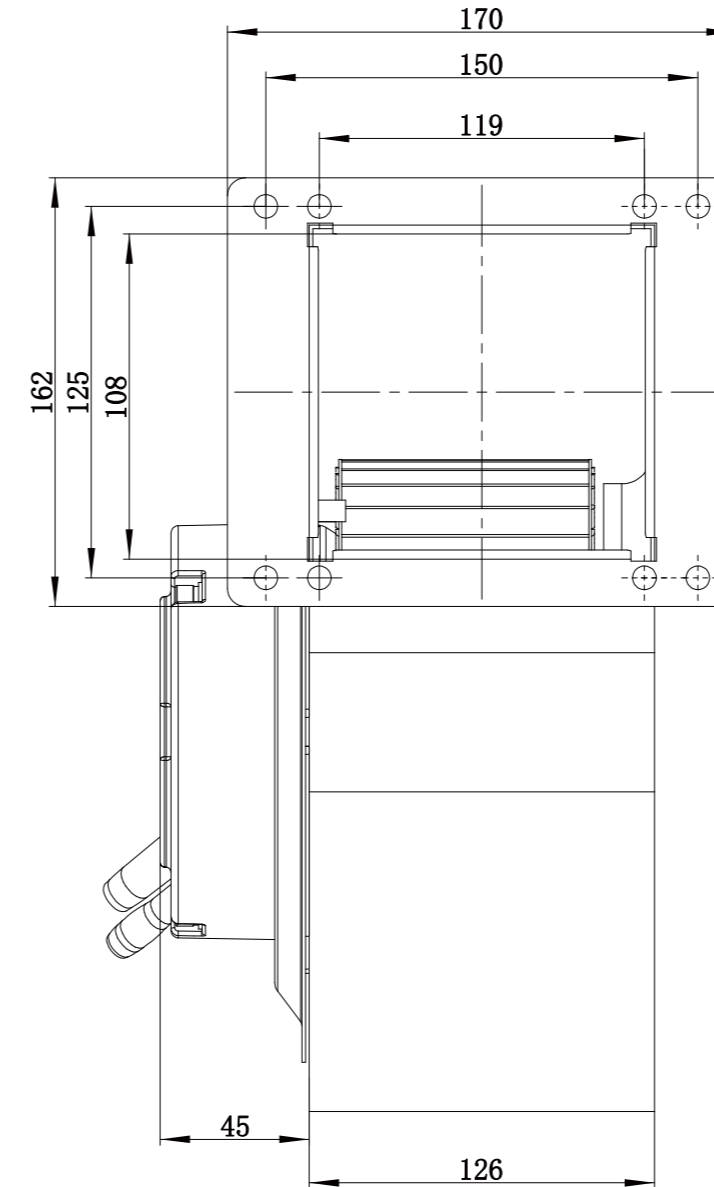


Technical Specifications

Model	Voltage (V)	Frequency (Hz)	Power (W)	Current (A)	Speed (RPM)	Air Flow (m³/h)	Air Pressure (Pa)	Noise [dB(A)]	Curve
LWFE3G180-092SS-01	230	50/60	240	1.8	1650	948	639	68	/



Product Drawing (mm)



LWFE-180 Series

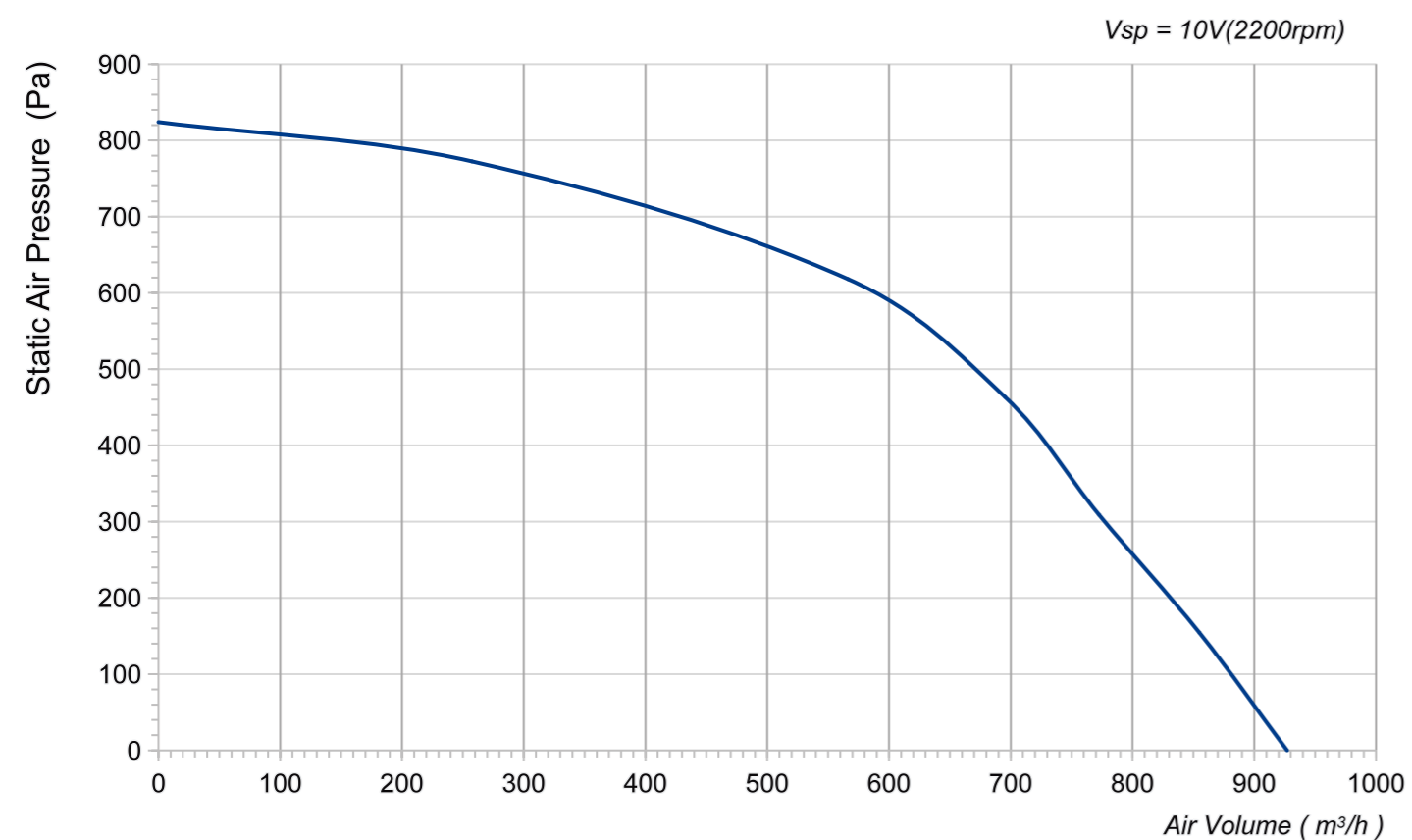
Product Characteristic

- Material : Galvanised sheet steel
- Mode of operation: S1
- Type of operation: IP55
- Insulation class: B
- Bearing: Maintenance-free ball bearings
- Operation Temperature: -30~+60 C

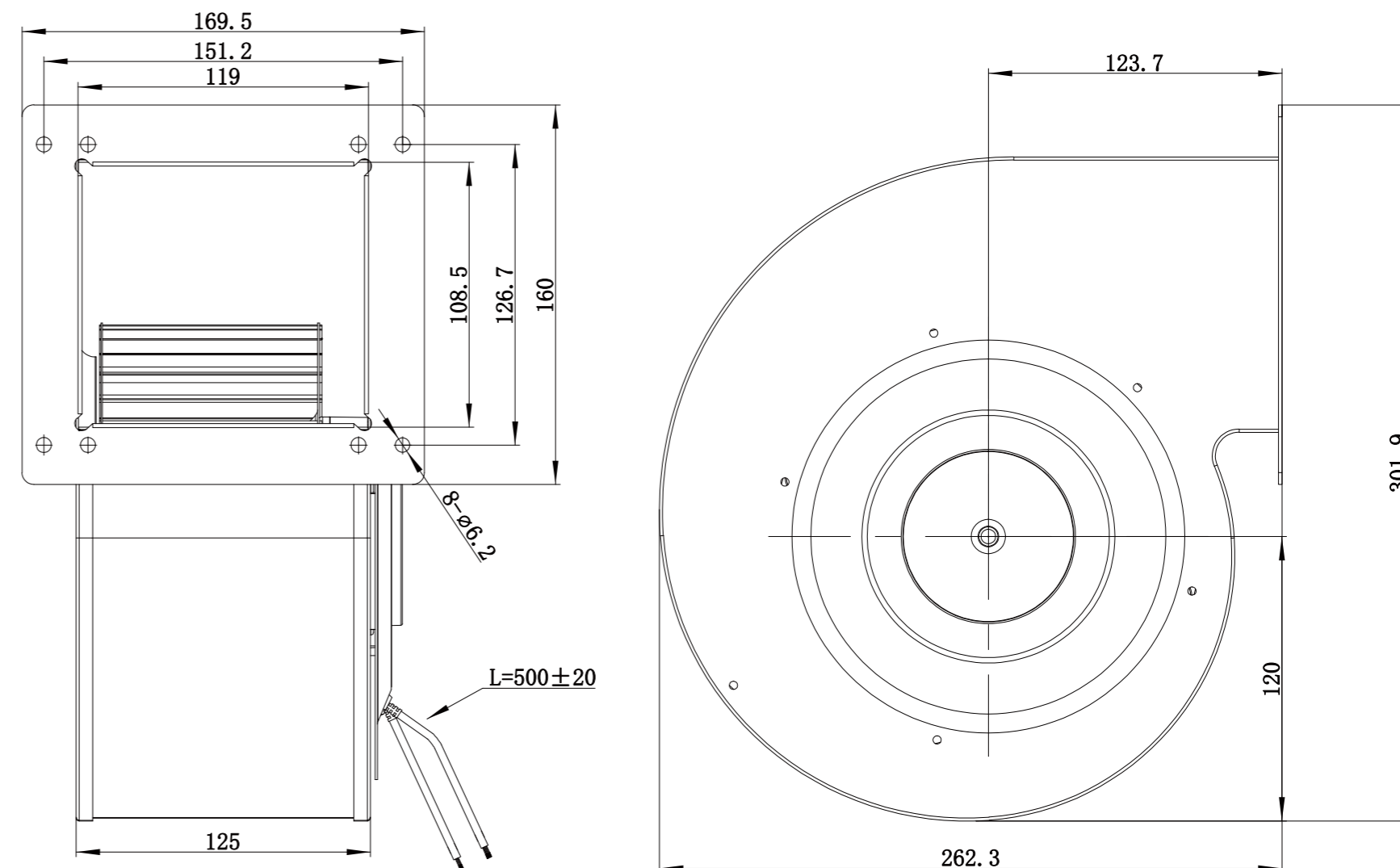


Technical Specifications

Model	Voltage (V)	Frequency (Hz)	Power (W)	Current (A)	Speed (RPM)	Air Flow (m³/h)	Air Pressure (Pa)	Noise [dB(A)]	Curve
LWFE3G180-092SS-02	230	50/60	220	1.6	2200	927	824	68	/



Product Drawing (mm)



LWFE-200 Series

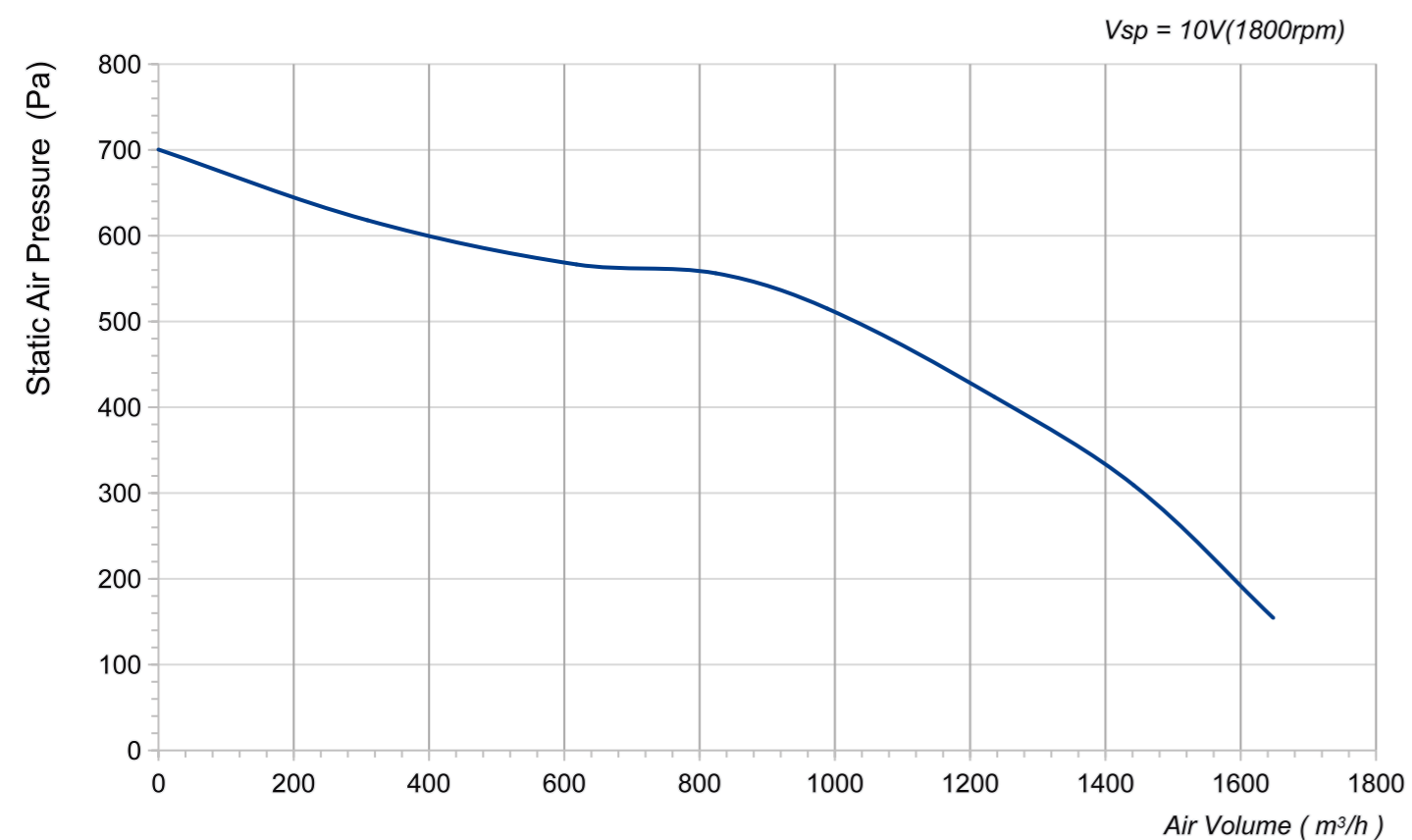
Product Characteristic

- Material : Galvanised sheet steel
- Mode of operation: S1
- Type of operation: IP54
- Insulation class: F
- Bearing: Maintenance-free ball bearings
- Operation Temperature: -30~+60 C

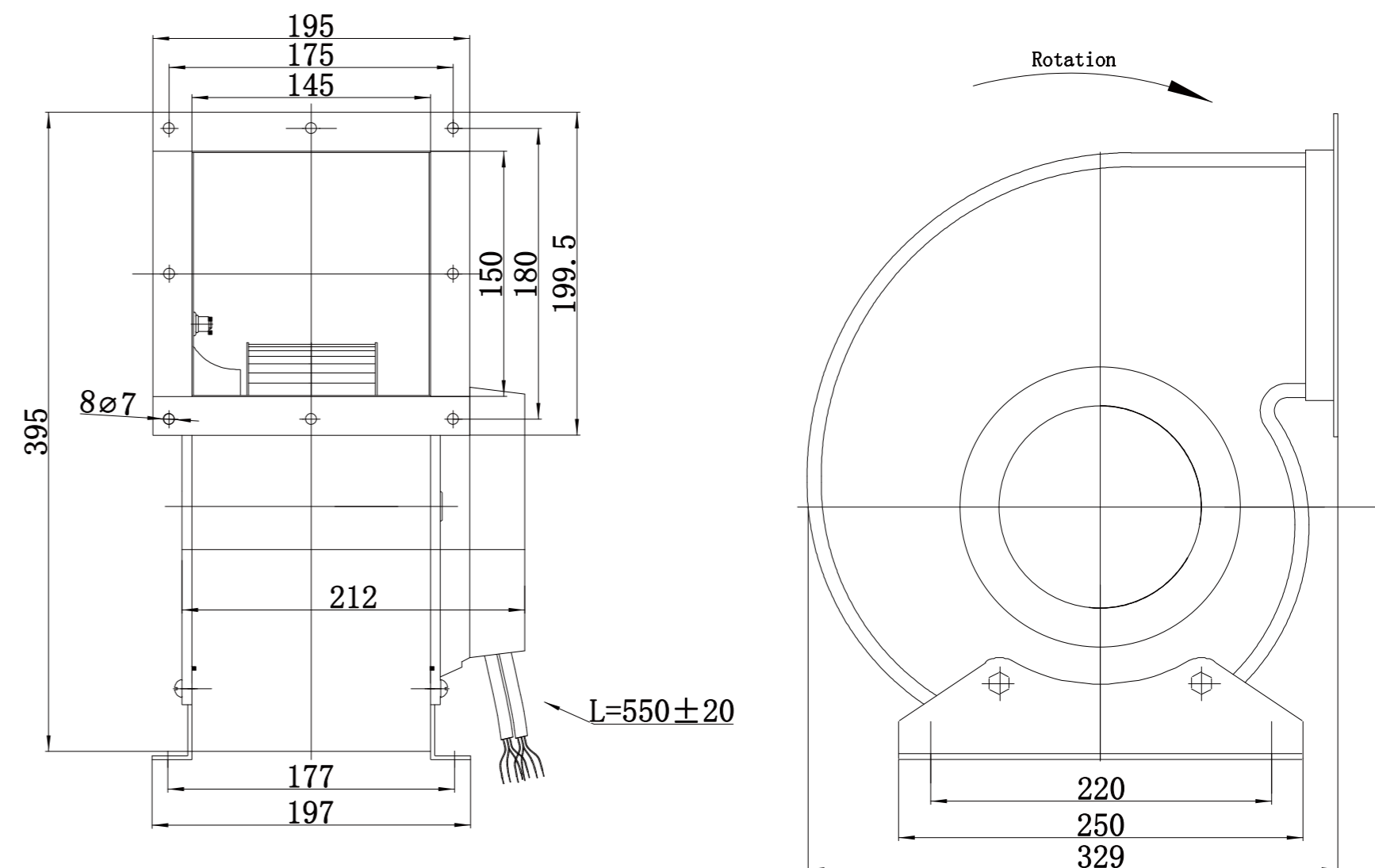


Technical Specifications

Model	Voltage (V)	Frequency (Hz)	Power (W)	Current (A)	Speed (RPM)	Air Flow (m³/h)	Air Pressure (Pa)	Noise [dB(A)]	Curve
LWFE3G200-102SS-01	230	50/60	510	3.1	1800	1638	700	73	/



Product Drawing (mm)



LWFE-225 Series

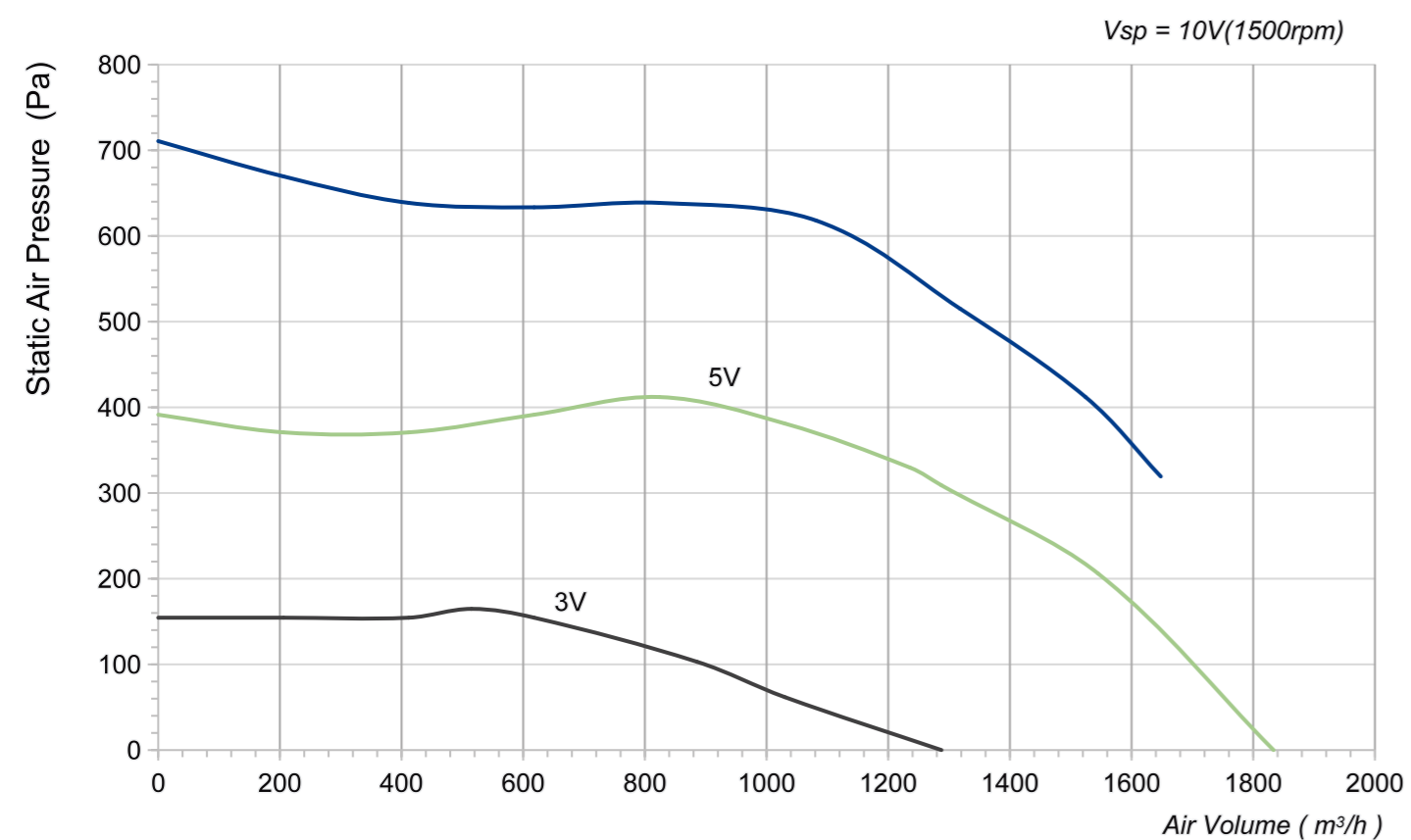
Product Characteristic

- Material : Galvanised sheet steel
- Mode of operation: S1
- Type of operation: IP54
- Insulation class: F
- Bearing: Maintenance-free ball bearings
- Operation Temperature: -30~+60 C

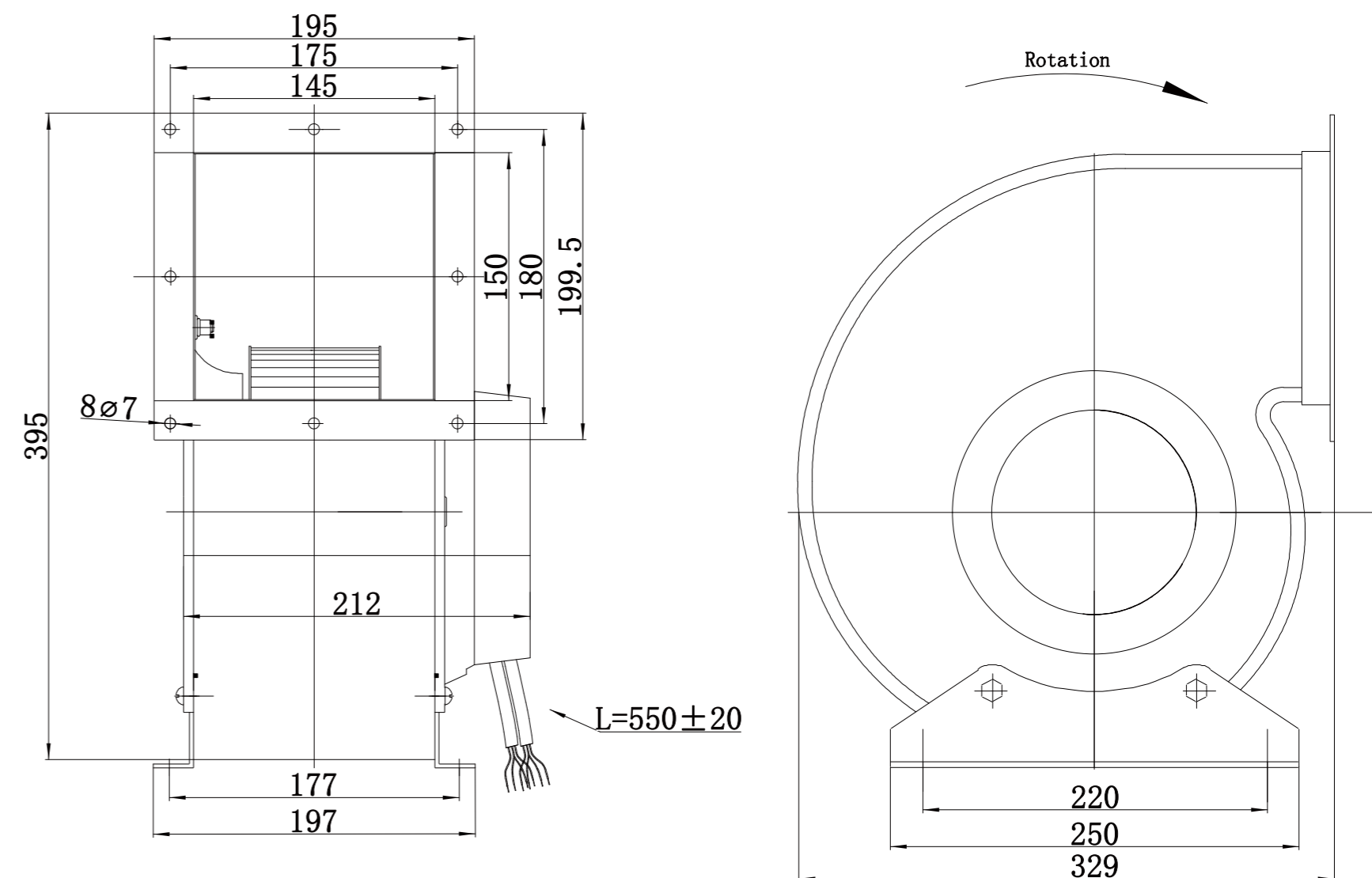


Technical Specifications

Model	Voltage (V)	Frequency (Hz)	Power (W)	Current (A)	Speed (RPM)	Air Flow (m³/h)	Air Pressure (Pa)	Noise [dB(A)]	Curve
LWFE3G225-102SS-01	230	50/60	505	3.1	1500	1648	711	77	/



Product Drawing (mm)



LWFE-250 Series

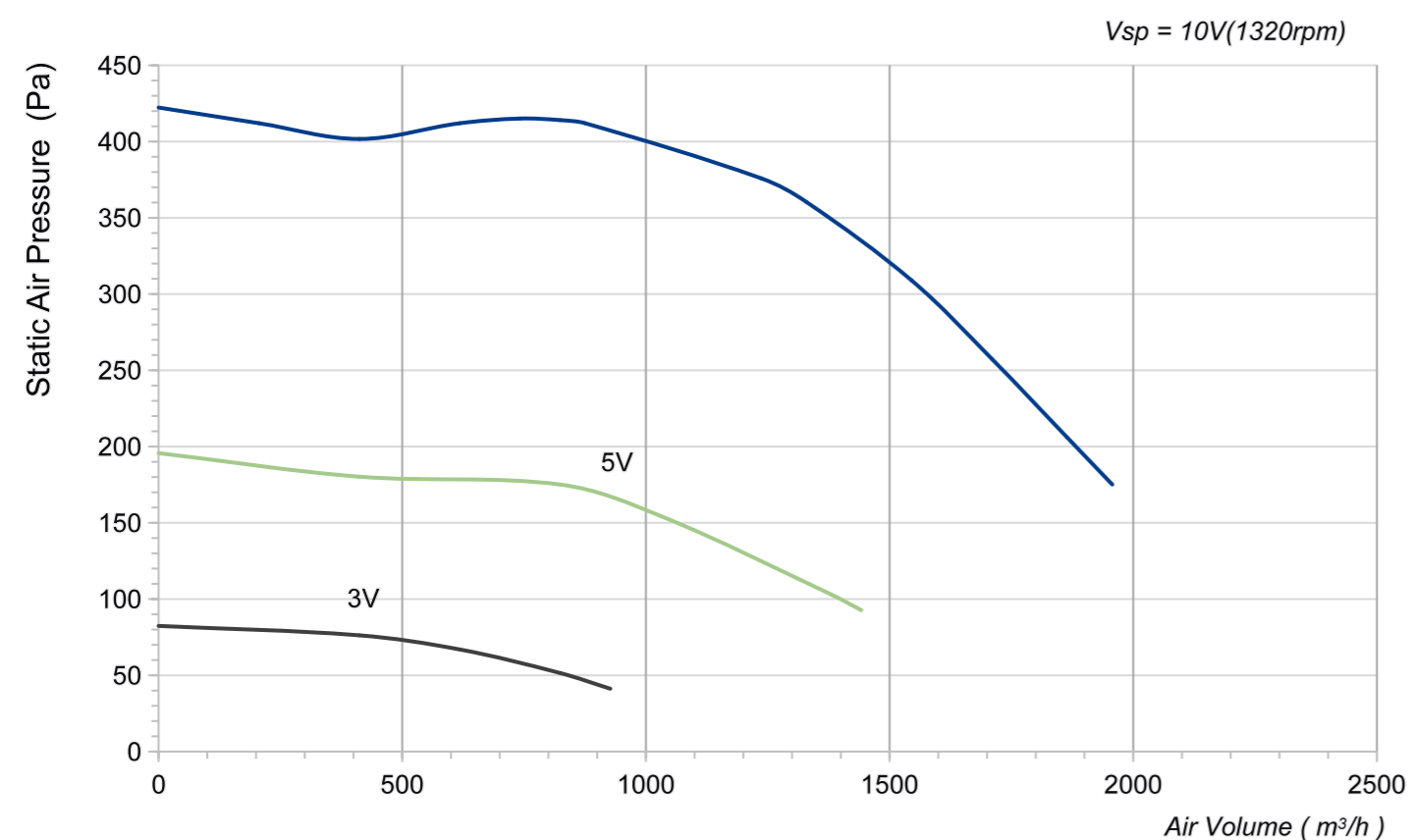
Product Characteristic

- Material : Galvanised sheet steel
- Mode of operation: S1
- Type of operation: IP54
- Insulation class: F
- Bearing: Maintenance-free ball bearings
- Operation Temperature: -30~+60 C



Technical Specifications

Model	Voltage (V)	Frequency (Hz)	Power (W)	Current (A)	Speed (RPM)	Air Flow (m³/h)	Air Pressure (Pa)	Noise [dB(A)]	Curve
LWFE3G250-102SS-01	230	50/60	500	2.9	1320	1957	422	78	/



Product Drawing (mm)

