

EC Dual Inlet Forward Centrifugal Fans

- Permanent magnet materials
- Chip stereoscopic heat dissipation
- Advanced 3D design impeller
- Oblique magnetization technology
- External rotor motor design
- IP54 Water-proof design



LWFE-120 Series

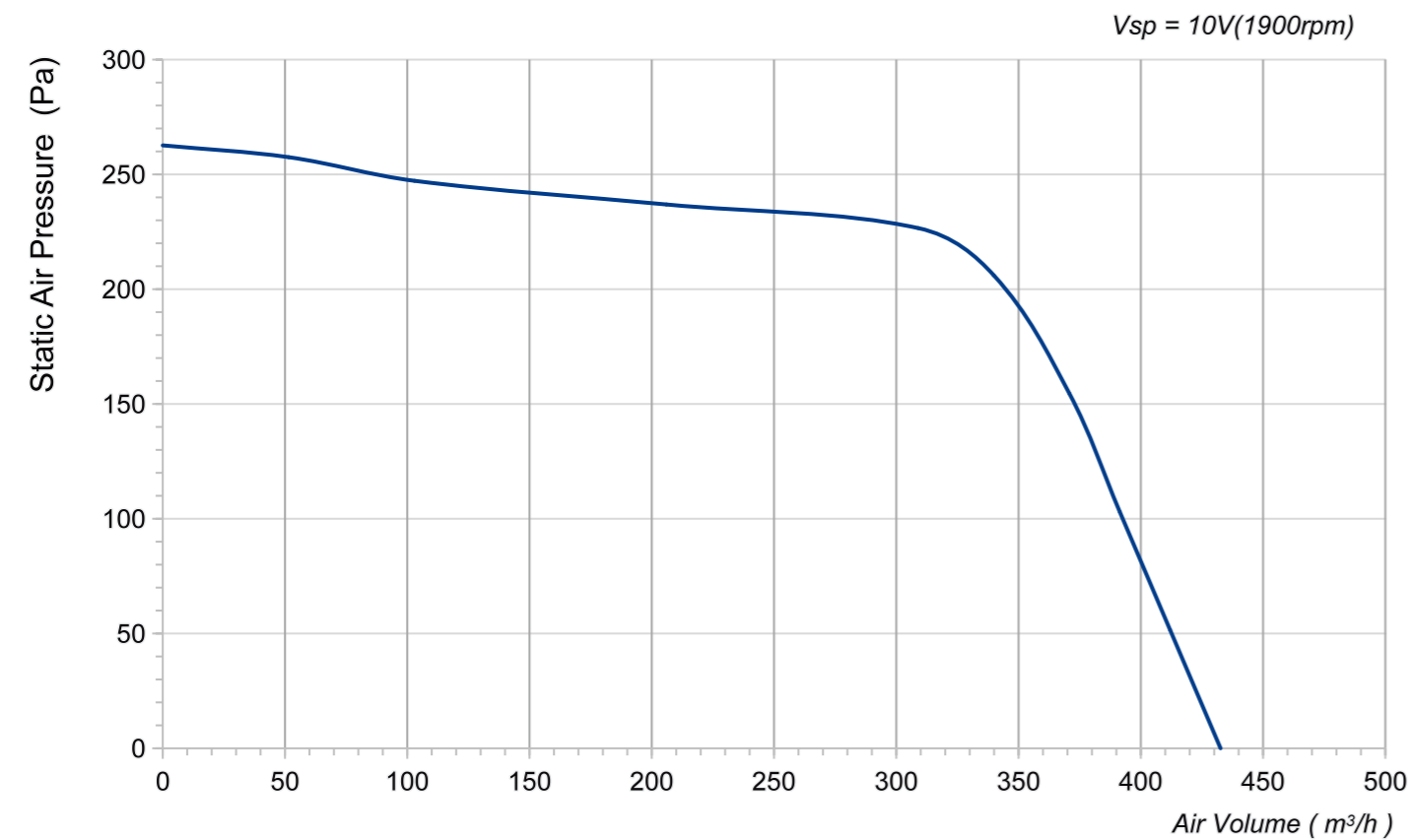
Product Characteristic

- Material : Metal
- Mode of operation: S1
- Type of operation: IP54
- Insulation class: F
- Bearing: Maintenance-free ball bearings
- Operation Temperature: -30~+60 C

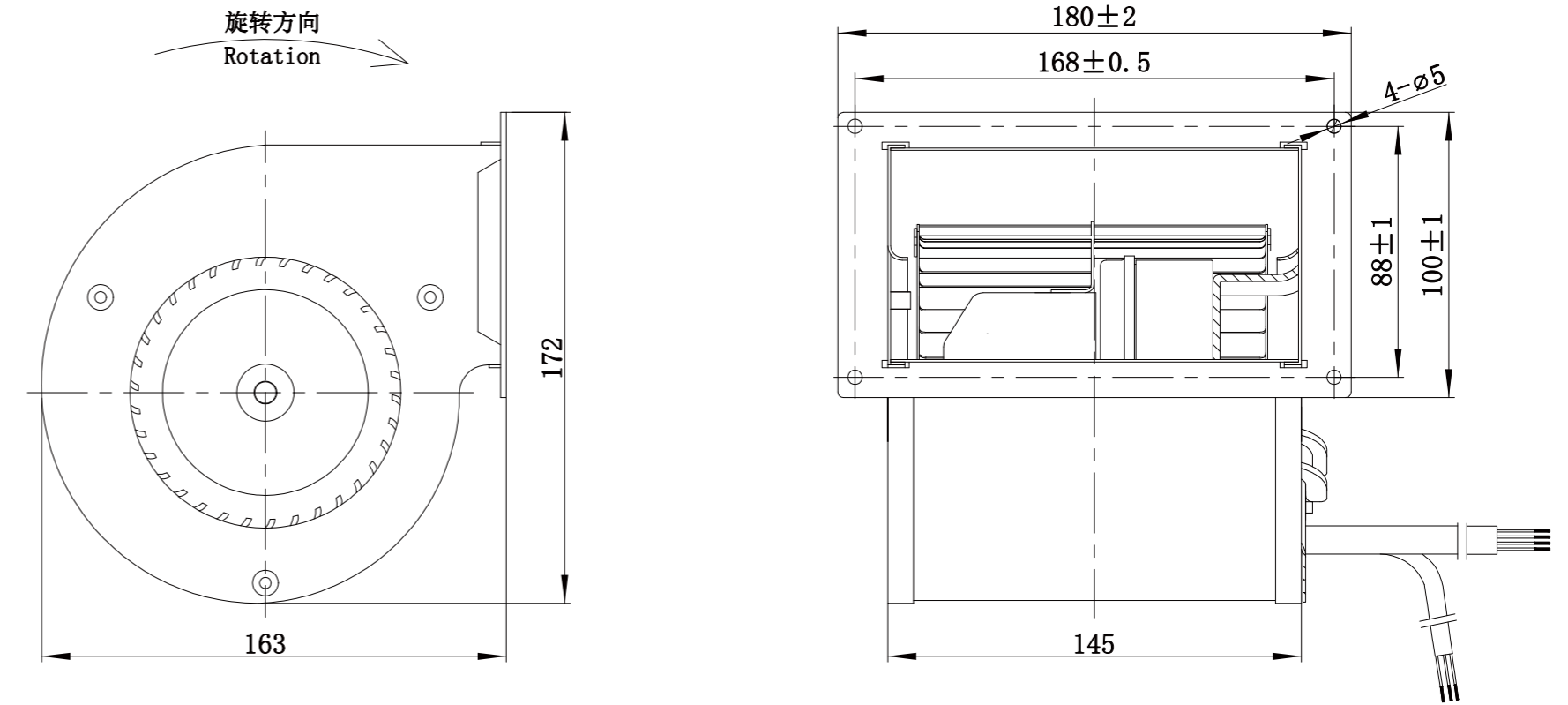


Technical Specifications

Model	Voltage (V)	Frequency (Hz)	Power (W)	Current (A)	Speed (RPM)	Air Flow (m³/h)	Air Pressure (Pa)	Noise [dB(A)]	Curve
LWFE3G120-072DS-01	230	50/60	70	0.55	1900	433	263	59	/



Product Drawing (mm)



LWFE-133 Series

Product Characteristic

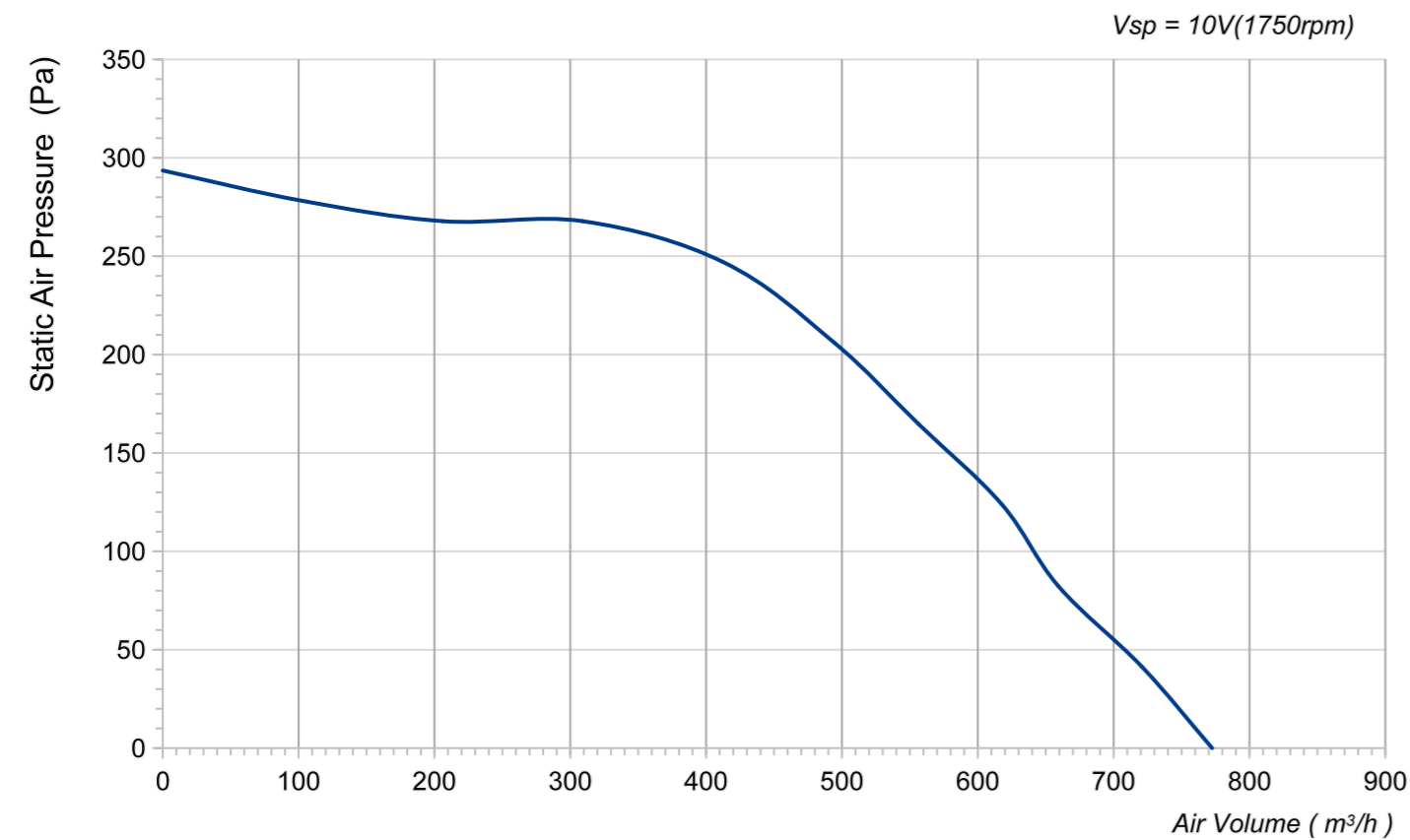
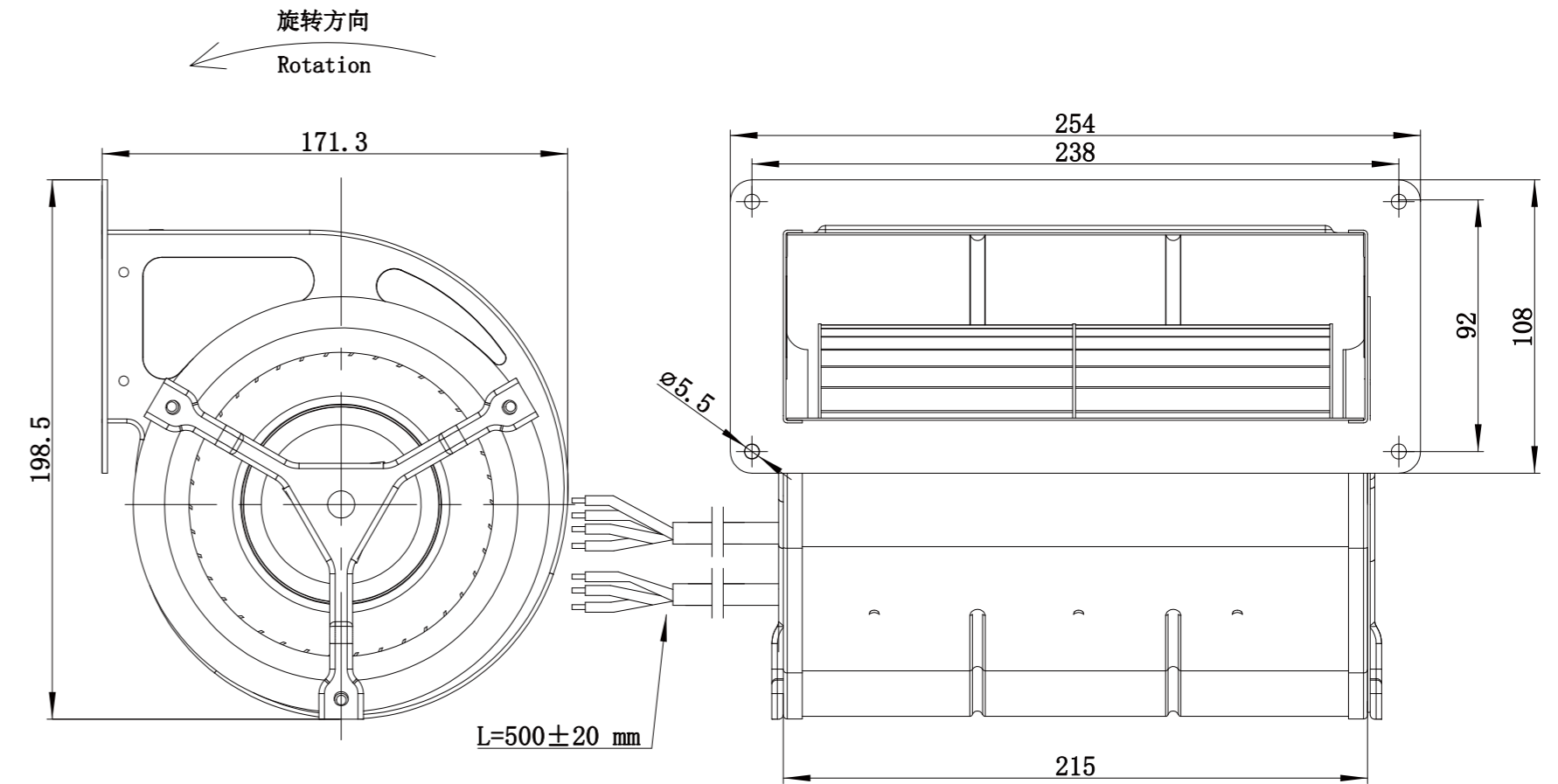
- Material : Metal
- Mode of operation: S1
- Type of operation: IP54
- Insulation class: F
- Bearing: Maintenance-free ball bearings
- Operation Temperature: -30~+60 C



Technical Specifications

Model	Voltage (V)	Frequency (Hz)	Power (W)	Current (A)	Speed (RPM)	Air Flow (m³/h)	Air Pressure (Pa)	Noise [dB(A)]	Curve
LWFE3G133-072DS-01	230	50/60	105	0.8	1750	773	288	69	/

Product Drawing (mm)



LWFE-133 Series

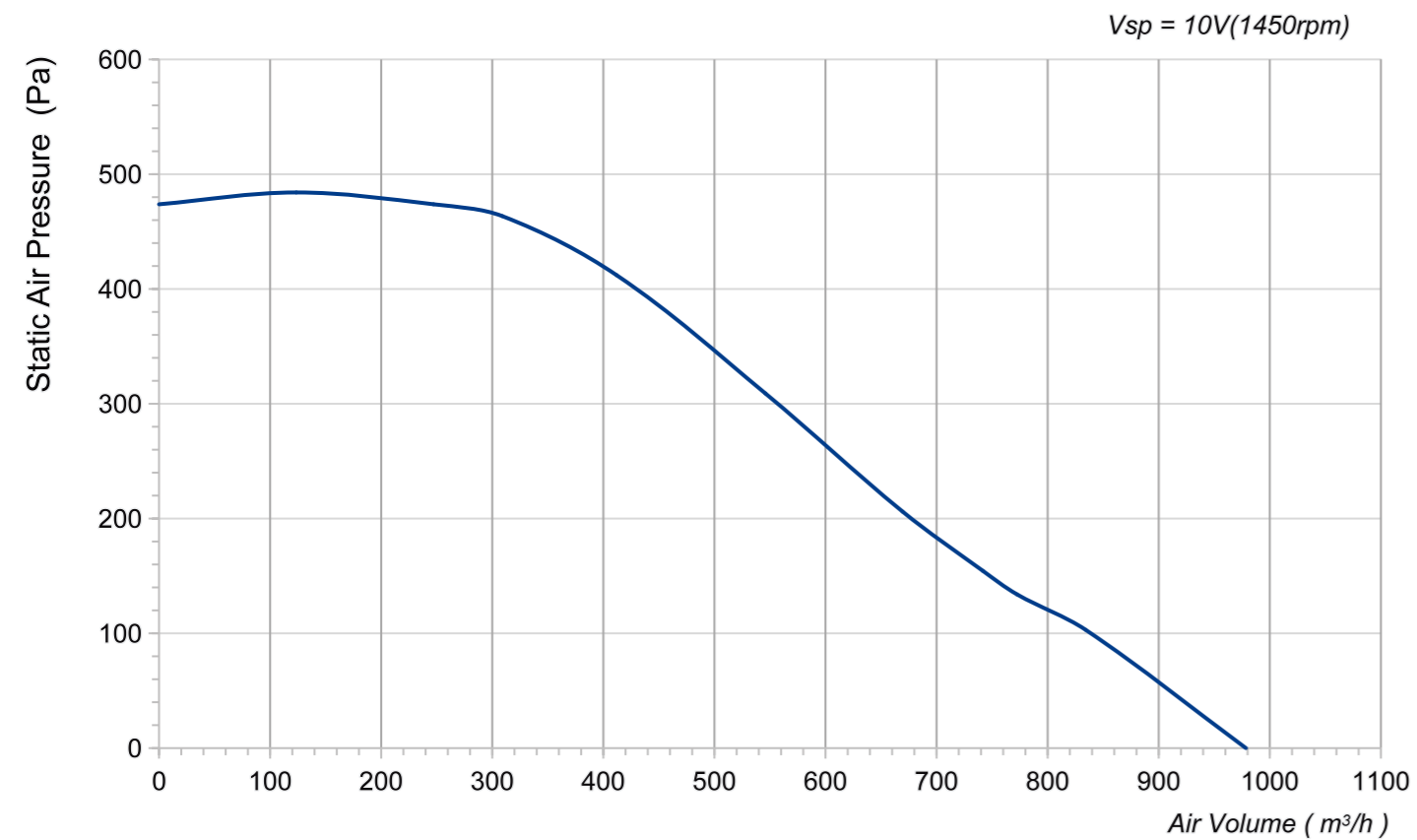
Product Characteristic

- Material : Metal
- Mode of operation: S1
- Type of operation: IP54
- Insulation class: F
- Bearing: Maintenance-free ball bearings
- Operation Temperature: -30~+60 C

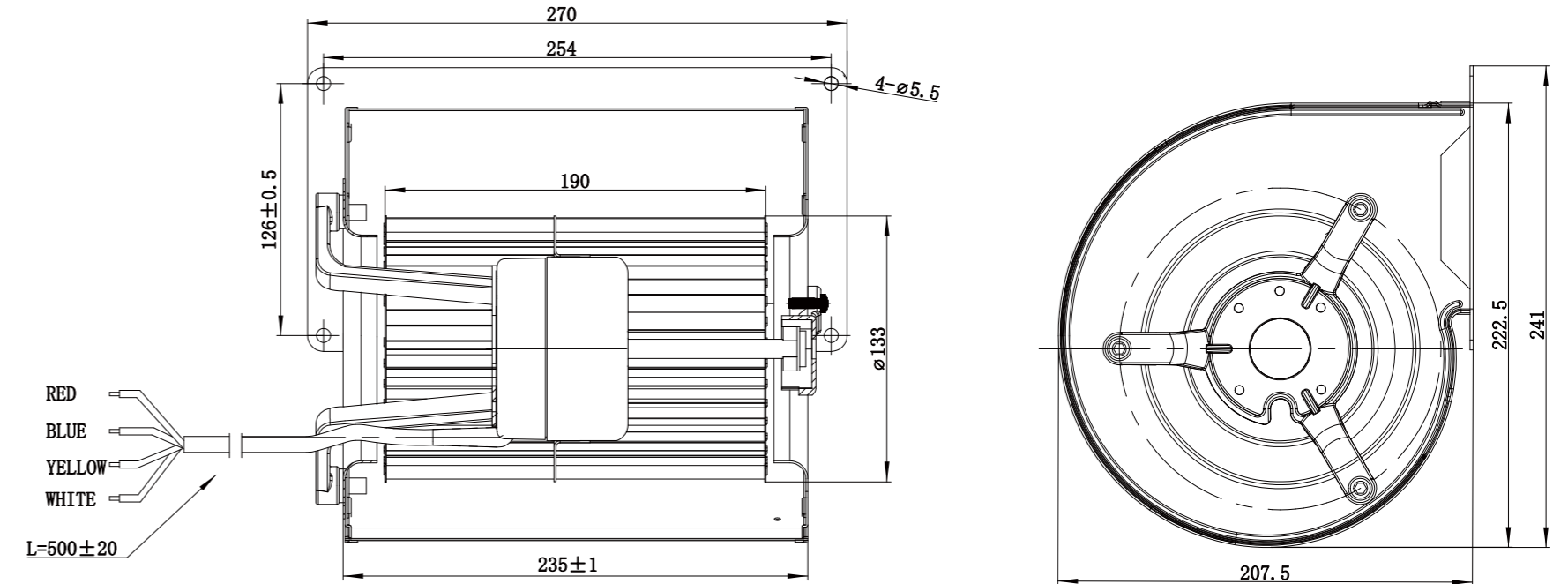


Technical Specifications

Model	Voltage (V)	Frequency (Hz)	Power (W)	Current (A)	Speed (RPM)	Air Flow (m³/h)	Air Pressure (Pa)	Noise [dB(A)]	Curve
LWFE3G133-072DS-02	230	50/60	120	0.95	1450	979	484	70	/



Product Drawing (mm)



LWFE-133 Series

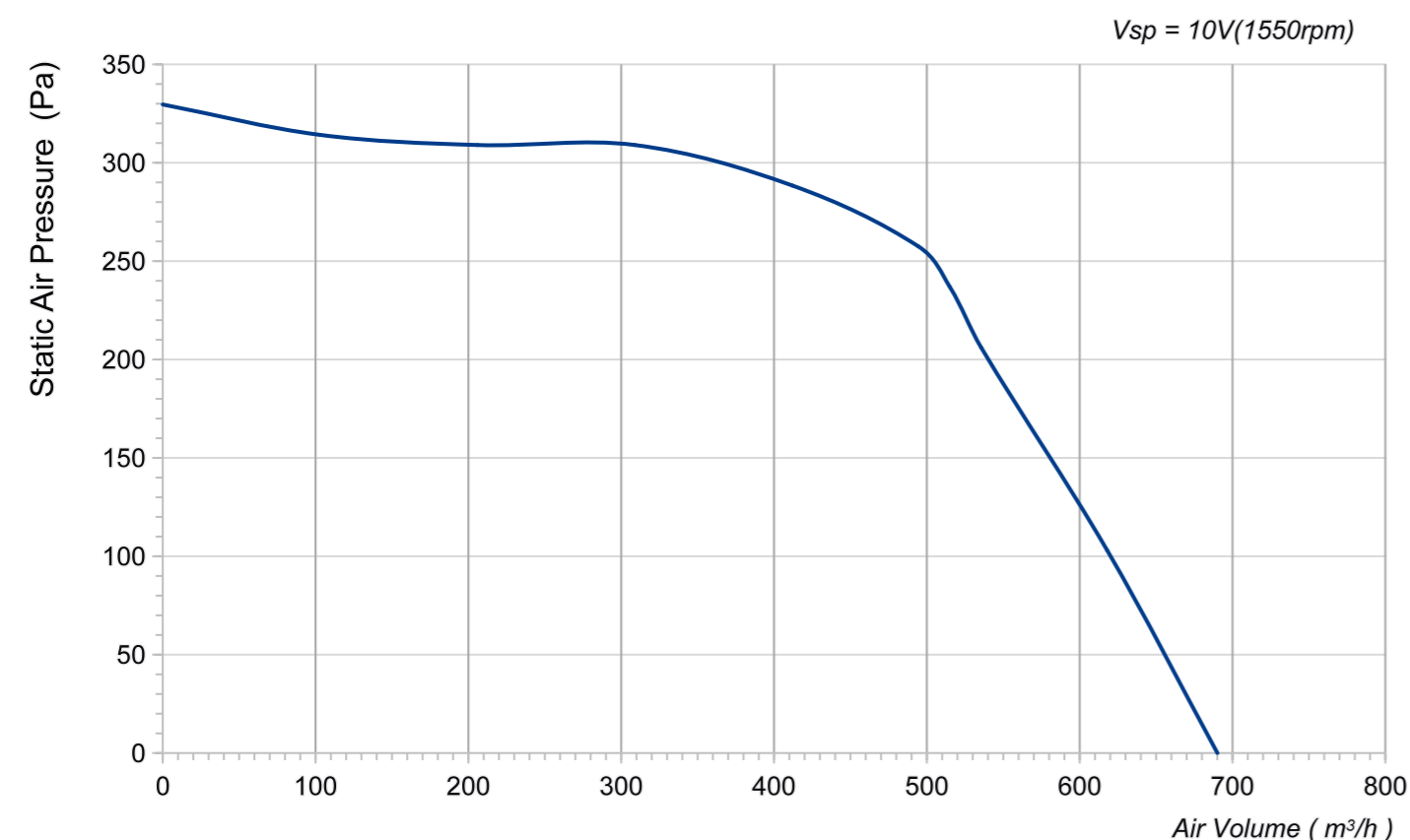
Product Characteristic

- Material : Metal
- Mode of operation: S1
- Type of operation: IP54
- Insulation class: F
- Bearing: Maintenance-free ball bearings
- Operation Temperature: -30~+60 C

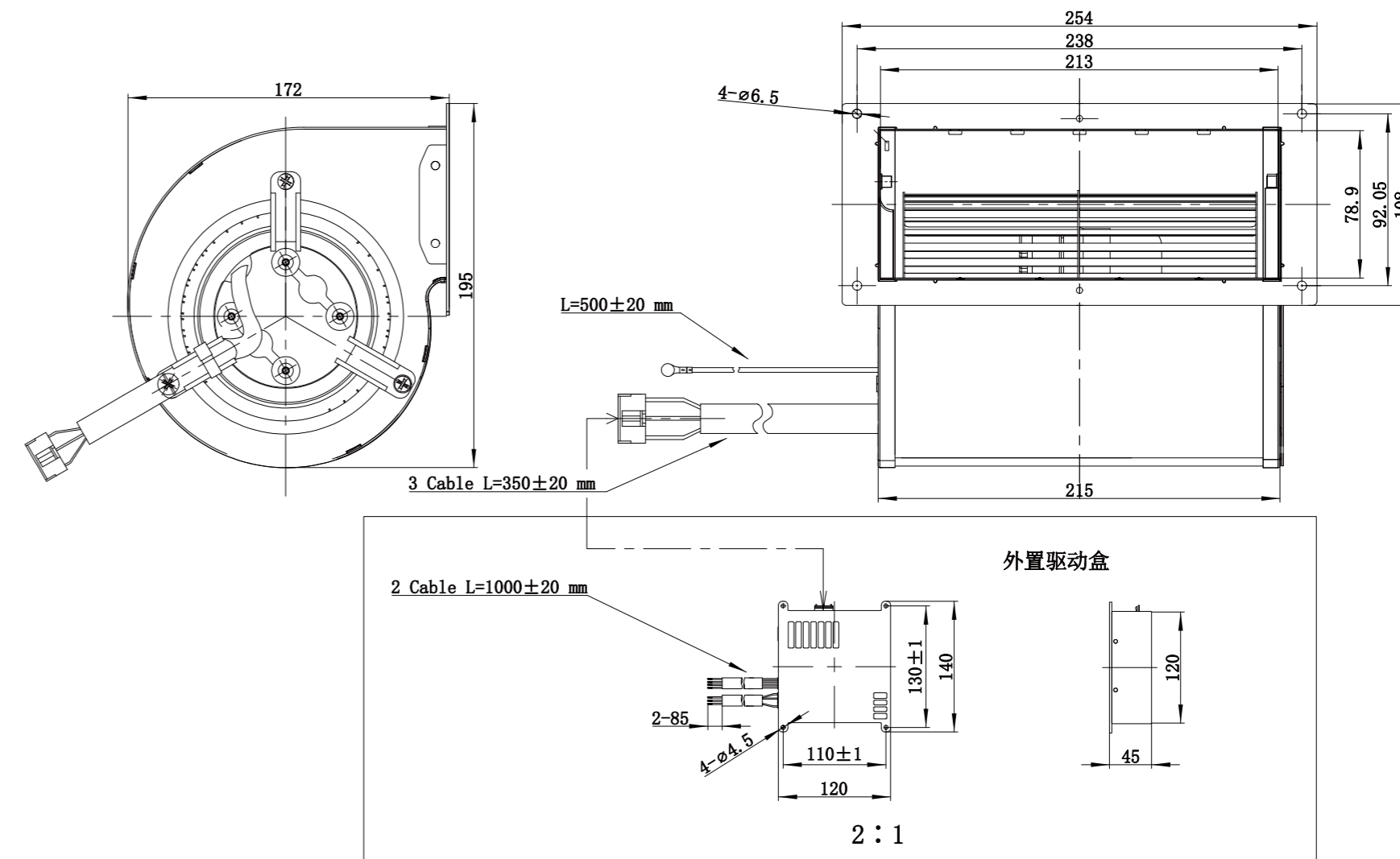


Technical Specifications

Model	Voltage (V)	Frequency (Hz)	Power (W)	Current (A)	Speed (RPM)	Air Flow (m³/h)	Air Pressure (Pa)	Noise [dB(A)]	Curve
LWFE3G133-092DS-03	230	50/60	80	0.6	1550	690	330	69	/



Product Drawing (mm)



LWFE-146 Series

Product Characteristic

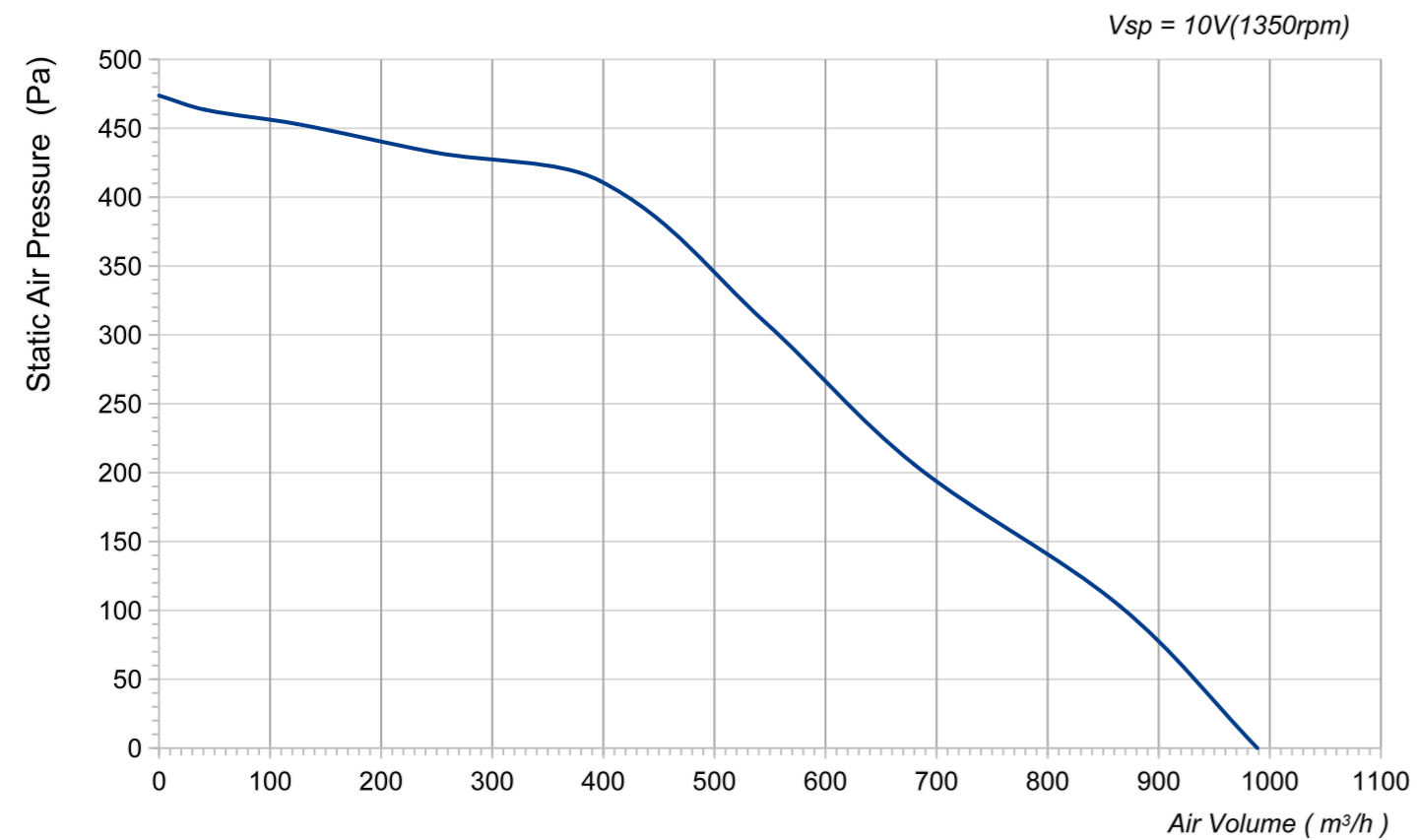
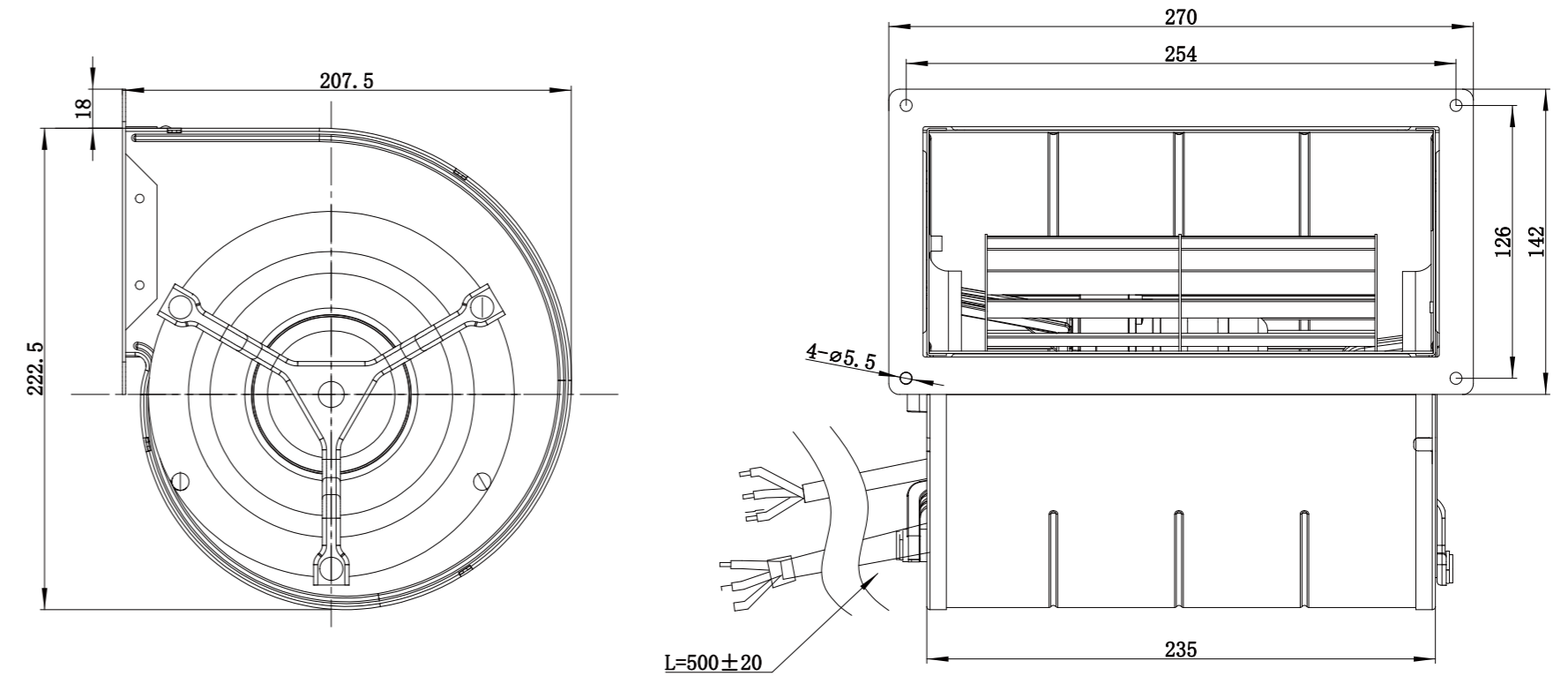
- Material : Metal
- Mode of operation: S1
- Type of operation: IP54
- Insulation class: F
- Bearing: Maintenance-free ball bearings
- Operation Temperature: -30~+60 C



Technical Specifications

Model	Voltage (V)	Frequency (Hz)	Power (W)	Current (A)	Speed (RPM)	Air Flow (m³/h)	Air Pressure (Pa)	Noise [dB(A)]	Curve
LWFE3G146-072DS-01	230	50/60	120	0.95	1350	989	474	72	/

Product Drawing (mm)



LWFE-146 Series

Product Characteristic

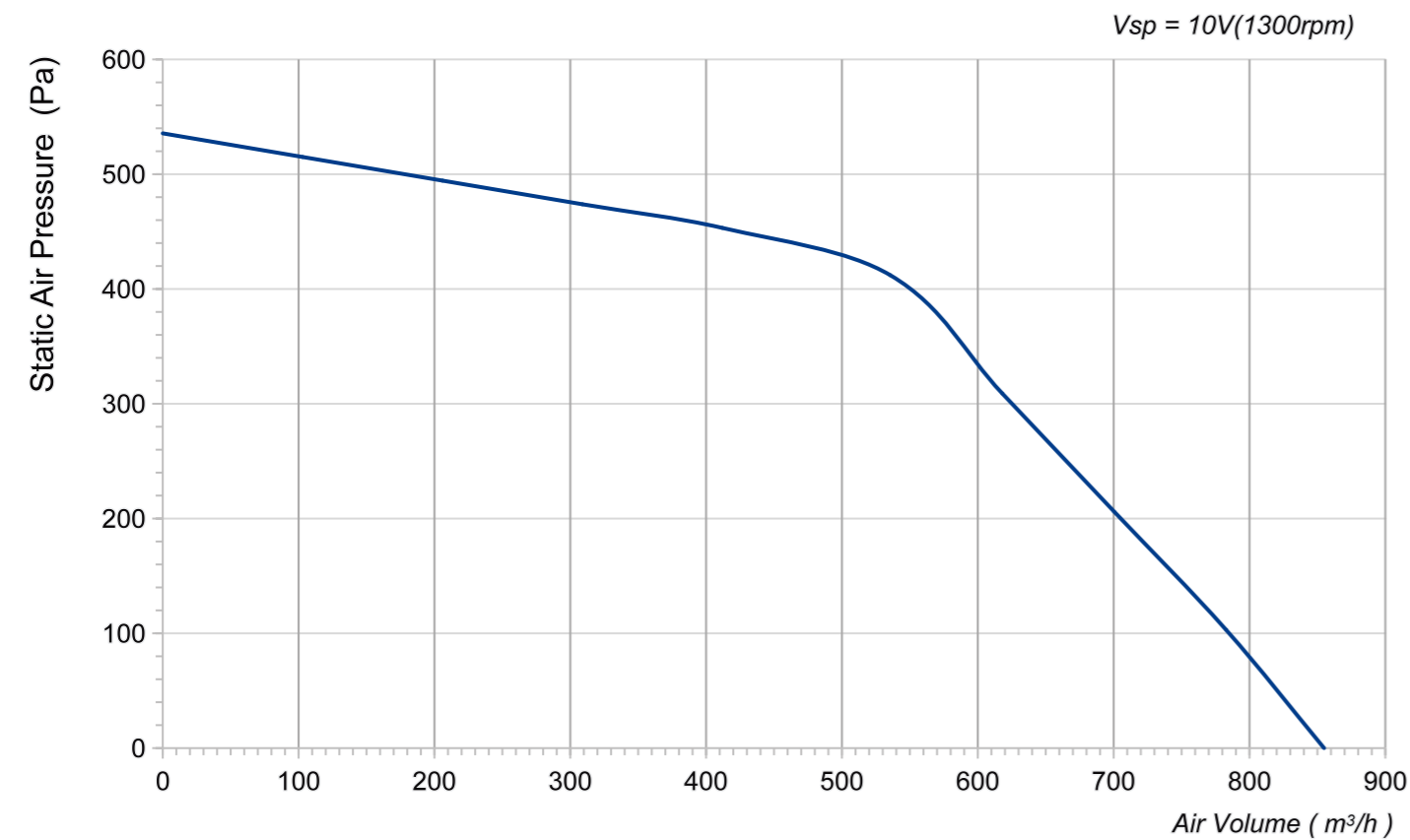
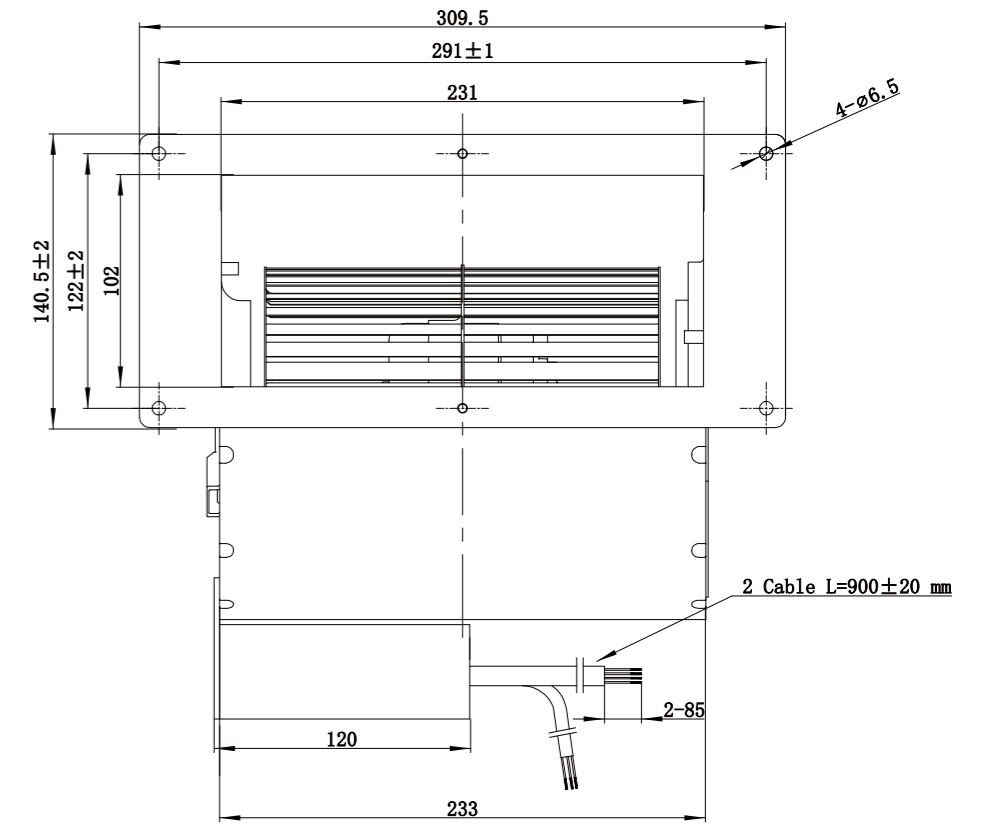
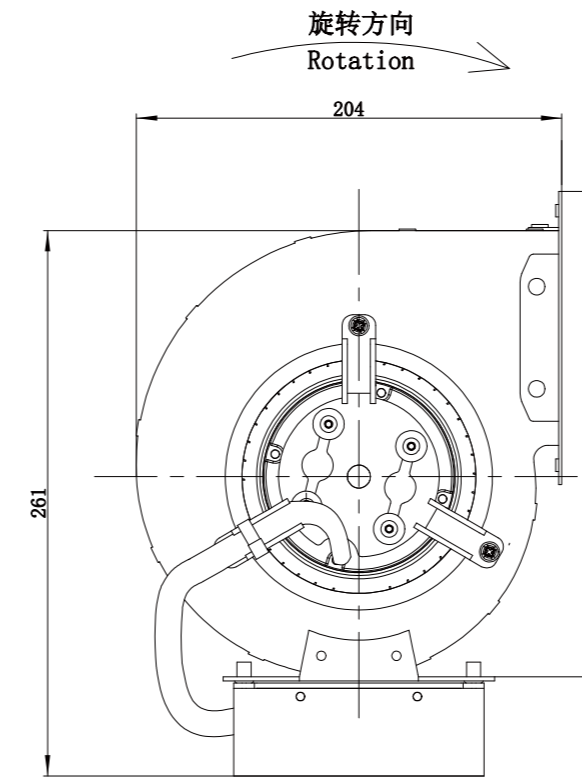
- Material : Metal
- Mode of operation: S1
- Type of operation: IP54
- Insulation class: F
- Bearing: Maintenance-free ball bearings
- Operation Temperature: -30~+60 C



Technical Specifications

Model	Voltage (V)	Frequency (Hz)	Power (W)	Current (A)	Speed (RPM)	Air Flow (m³/h)	Air Pressure (Pa)	Noise [dB(A)]	Curve
LWFE3G146-092DS-02	230	50/60	80	0.6	1300	855	536	59	/

Product Drawing (mm)



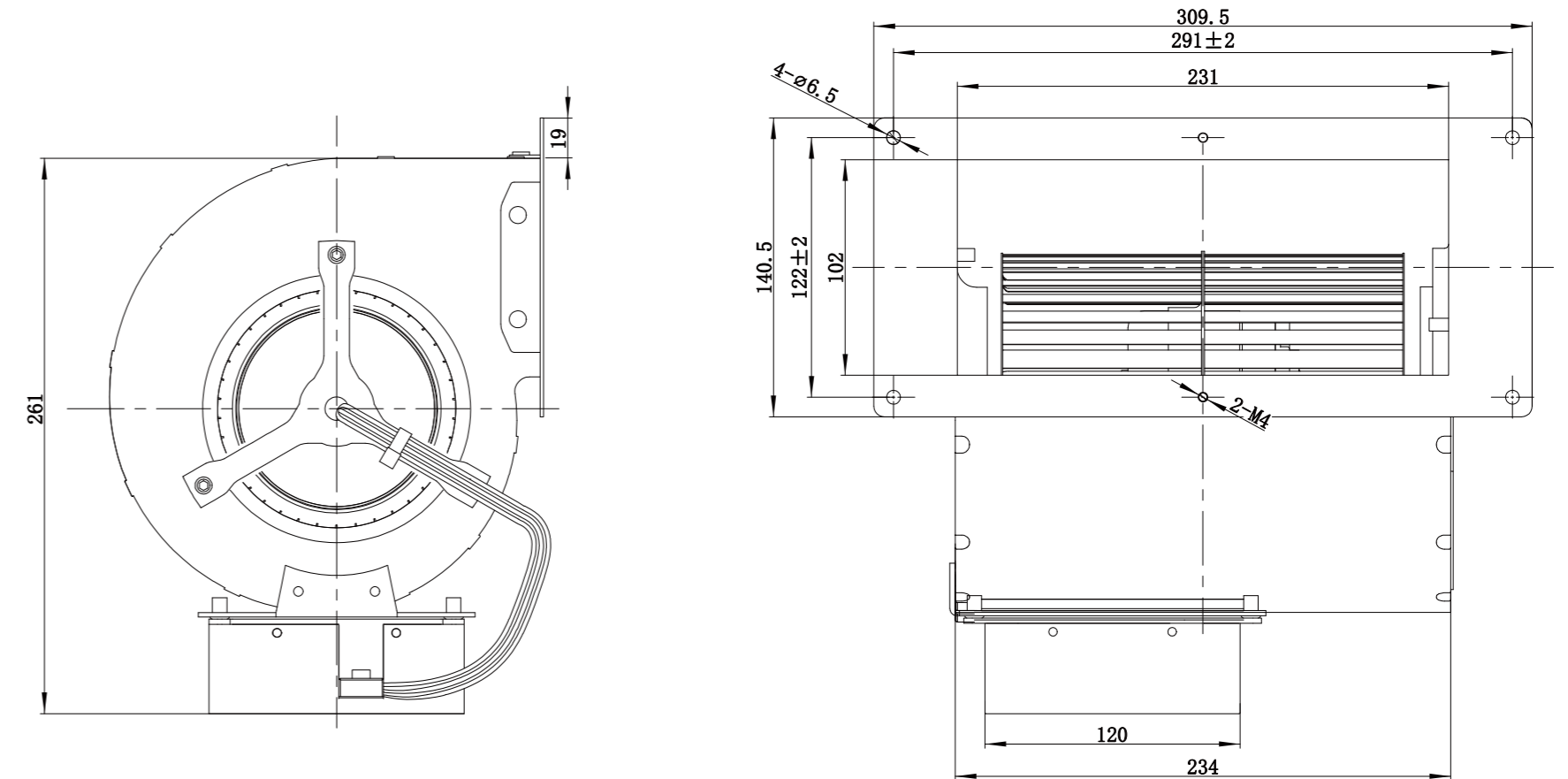
LWFE-146 Series

Product Characteristic

- Material : Metal
- Mode of operation: S1
- Type of operation: IP54
- Insulation class: F
- Bearing: Maintenance-free ball bearings
- Operation Temperature: -30~+60 C

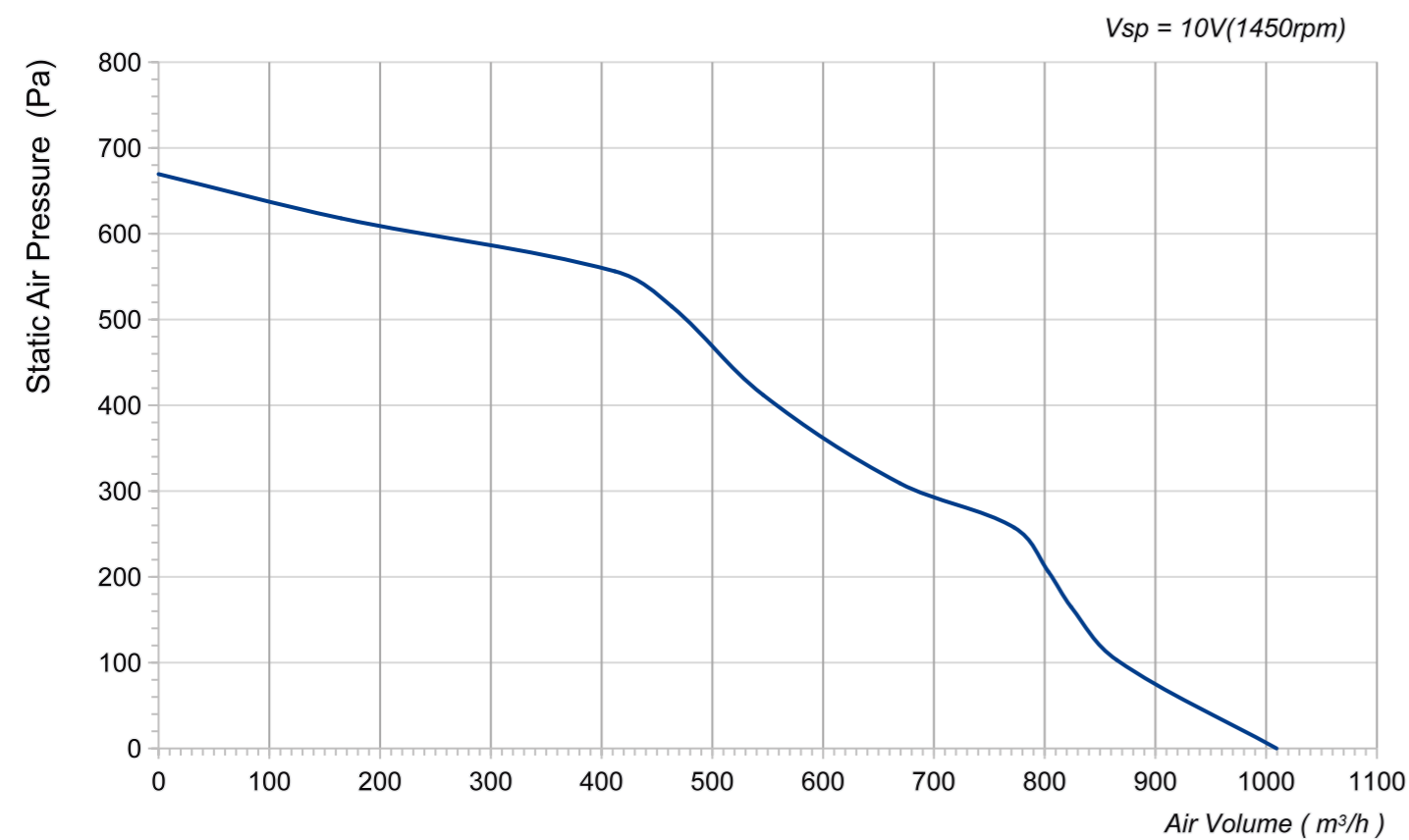


Product Drawing (mm)



Technical Specifications

Model	Voltage (V)	Frequency (Hz)	Power (W)	Current (A)	Speed (RPM)	Air Flow (m³/h)	Air Pressure (Pa)	Noise [dB(A)]	Curve
LWFE3G146-092DS-03	230	50/60	115	0.8	1450	1009	670	61	/



LWFE-180 Series

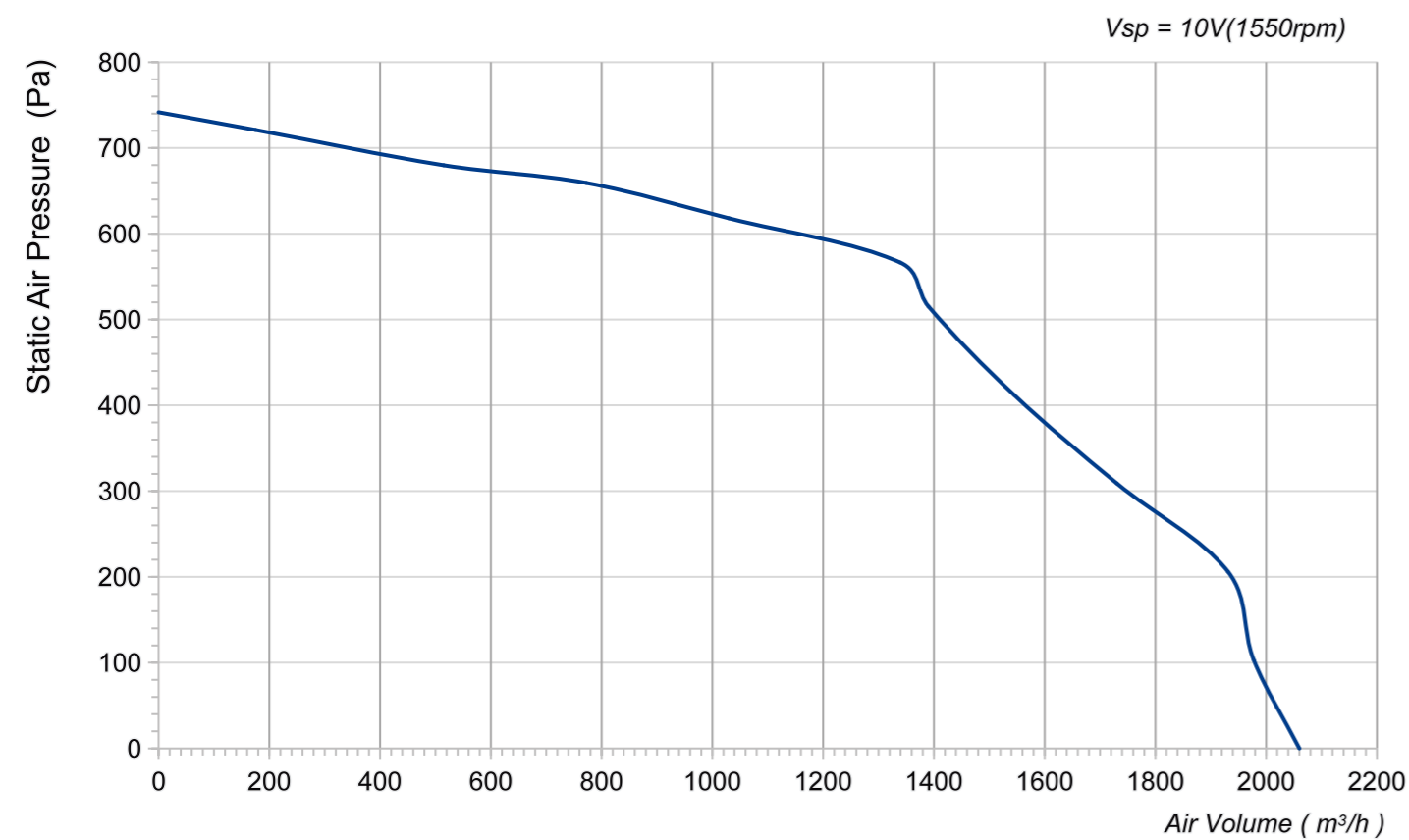
Product Characteristic

- Material : Metal
- Mode of operation: S1
- Type of operation: IP54
- Insulation class: F
- Bearing: Maintenance-free ball bearings
- Operation Temperature: -30~+60 C

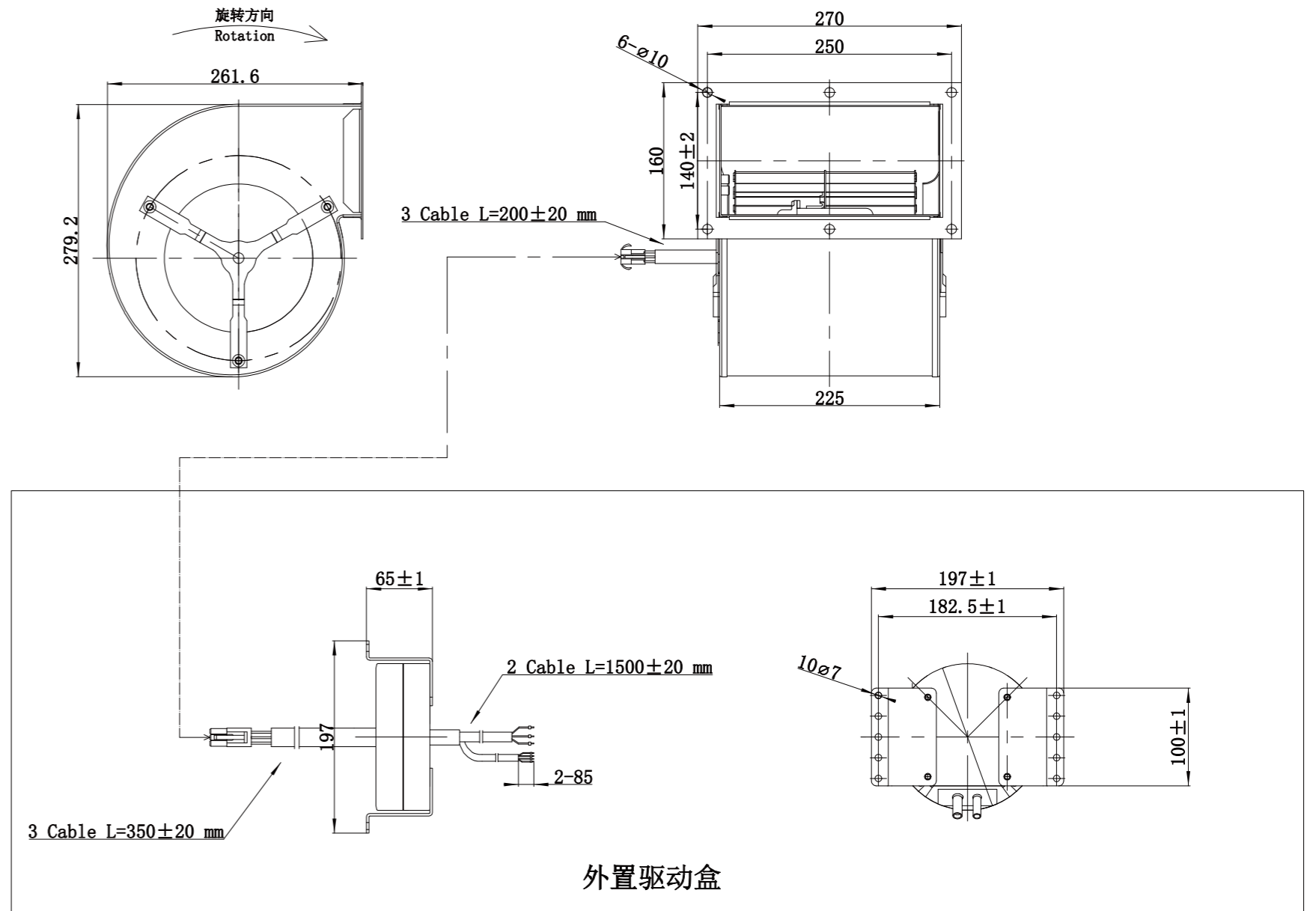


Technical Specifications

Model	Voltage (V)	Frequency (Hz)	Power (W)	Current (A)	Speed (RPM)	Air Flow (m³/h)	Air Pressure (Pa)	Noise [dB(A)]	Curve
LWFE3G180-102DS-01	230	50/60	400	1.9	1550	2060	742	74	/



Product Drawing (mm)



LWFE-180 Series

Product Characteristic

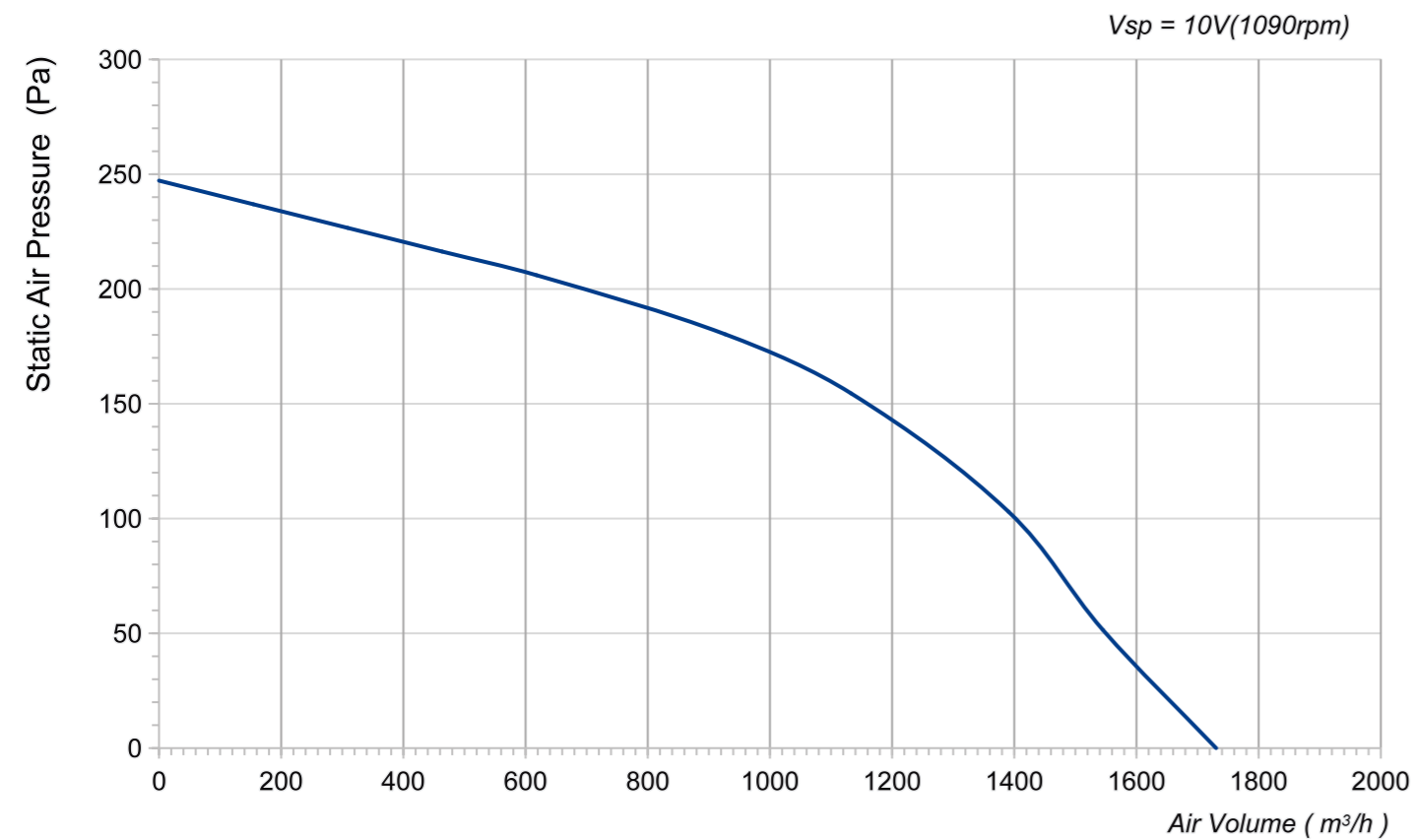
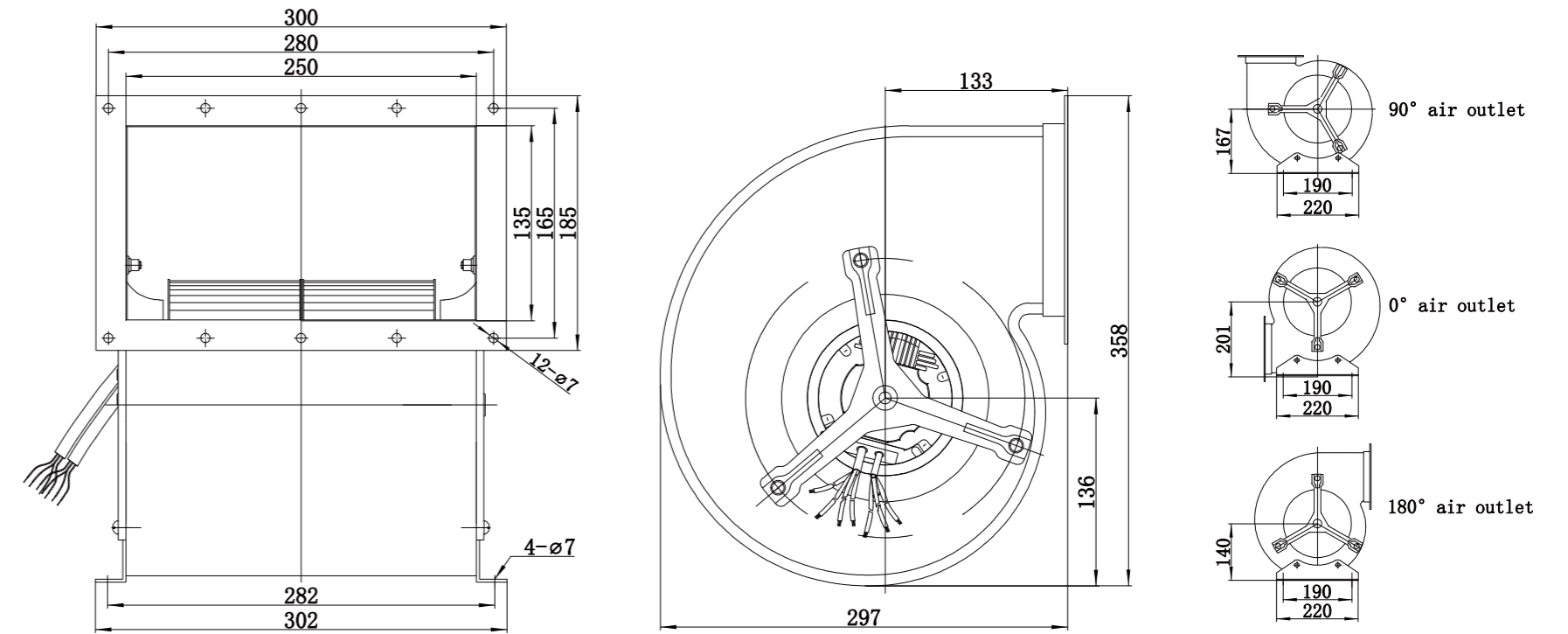
- Material : Metal
- Mode of operation: S1
- Type of operation: IP54
- Insulation class: F
- Bearing: Maintenance-free ball bearings
- Operation Temperature: -30~+60 C



Technical Specifications

Model	Voltage (V)	Frequency (Hz)	Power (W)	Current (A)	Speed (RPM)	Air Flow (m³/h)	Air Pressure (Pa)	Noise [dB(A)]	Curve
LWFE3G180-092DS-02	230	50/60	165	1.22	1090	1730	247	63	/

Product Drawing (mm)



LWFE-200 Series

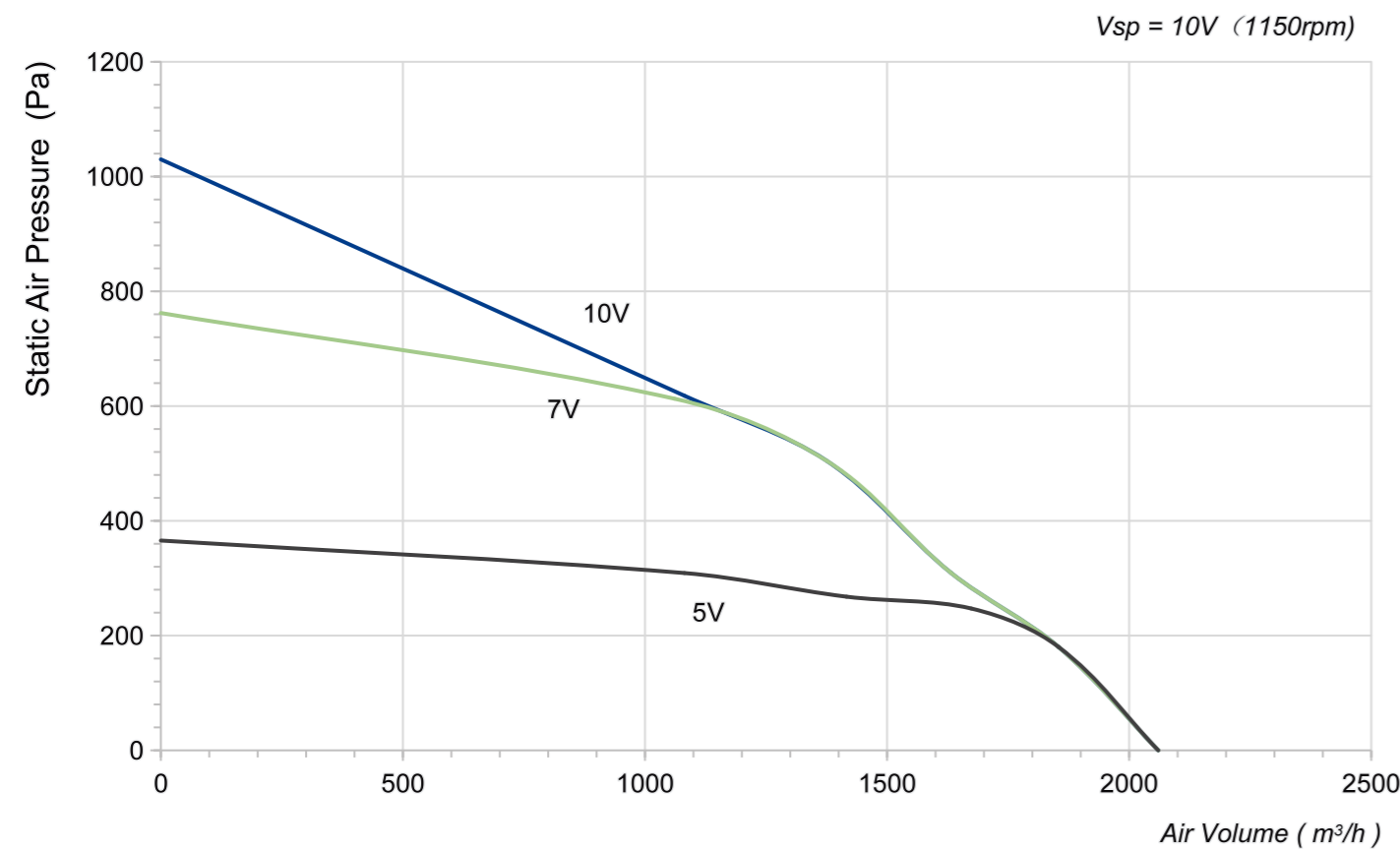
Product Characteristic

- Material : Metal
- Mode of operation: S1
- Type of operation: IP44
- Insulation class: B
- Bearing: Maintenance-free ball bearings
- Operation Temperature: -20~+60 C

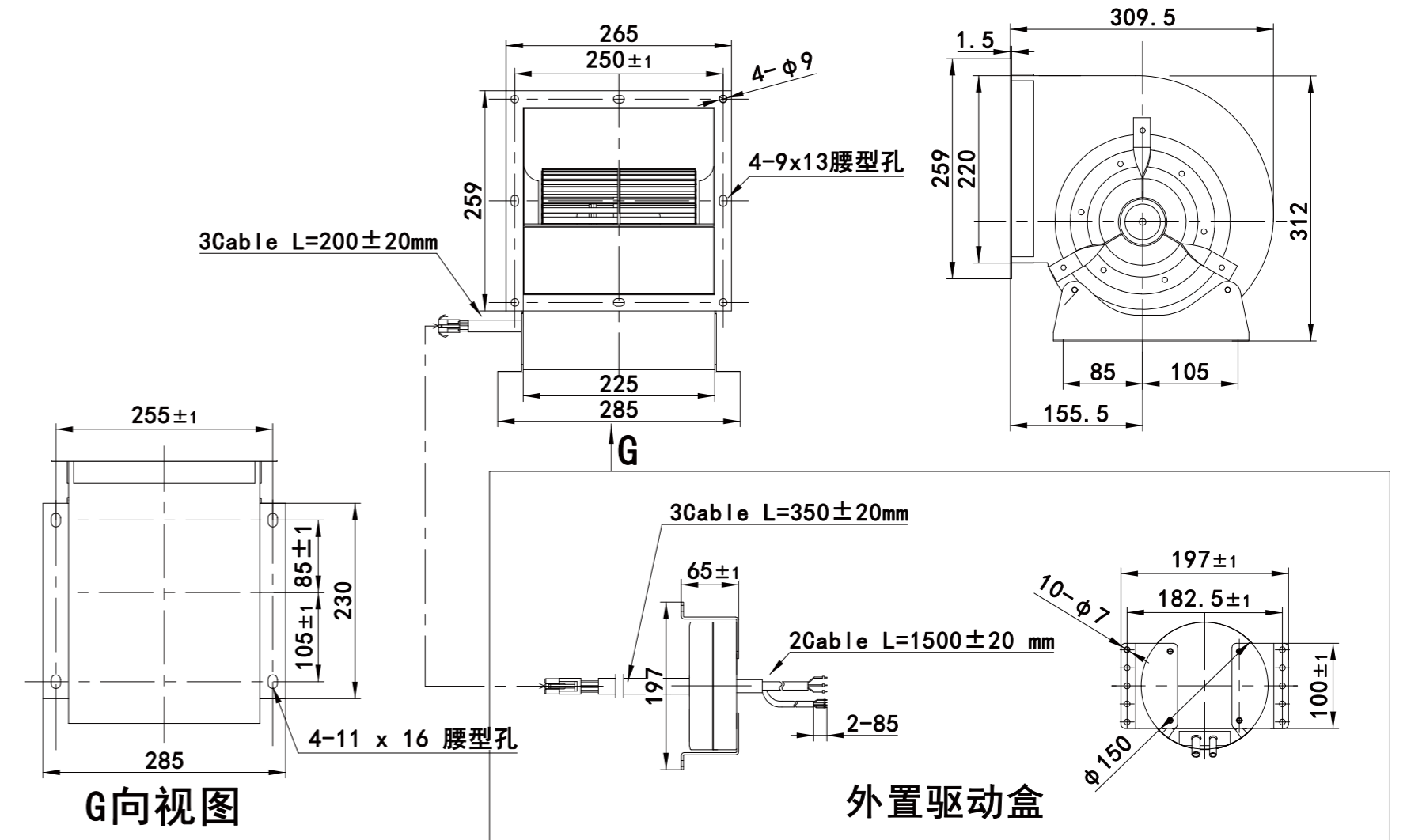


Technical Specifications

Model	Voltage (V)	Frequency (Hz)	Power (W)	Current (A)	Speed (RPM)	Air Flow (m³/h)	Air Pressure (Pa)	Noise [dB(A)]	Curve
LWFE3G200-102DS-01	230	50/60	300	1.36	1150	2060	1030	64	/



Product Drawing (mm)



LWFE-200 Series

Product Characteristic

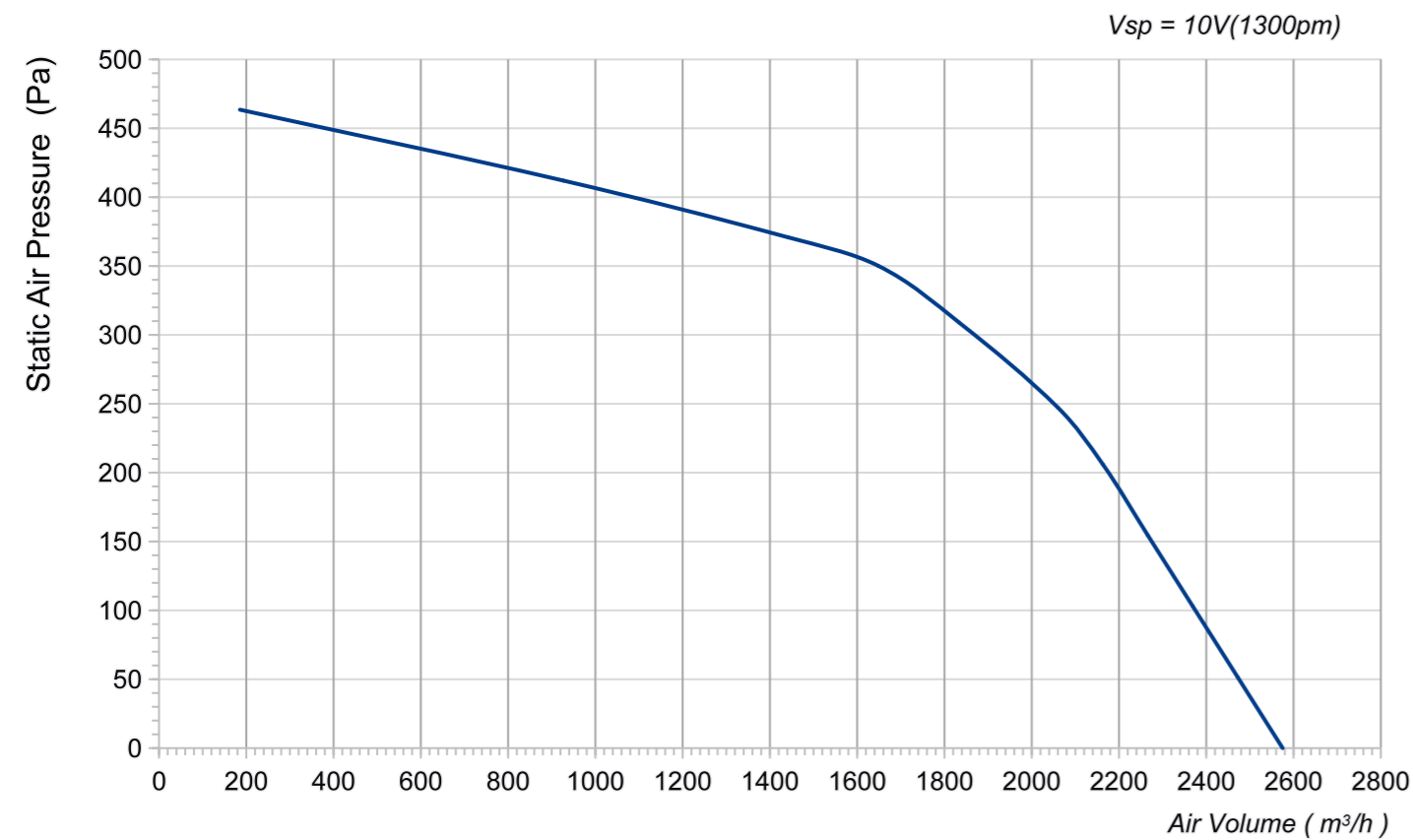
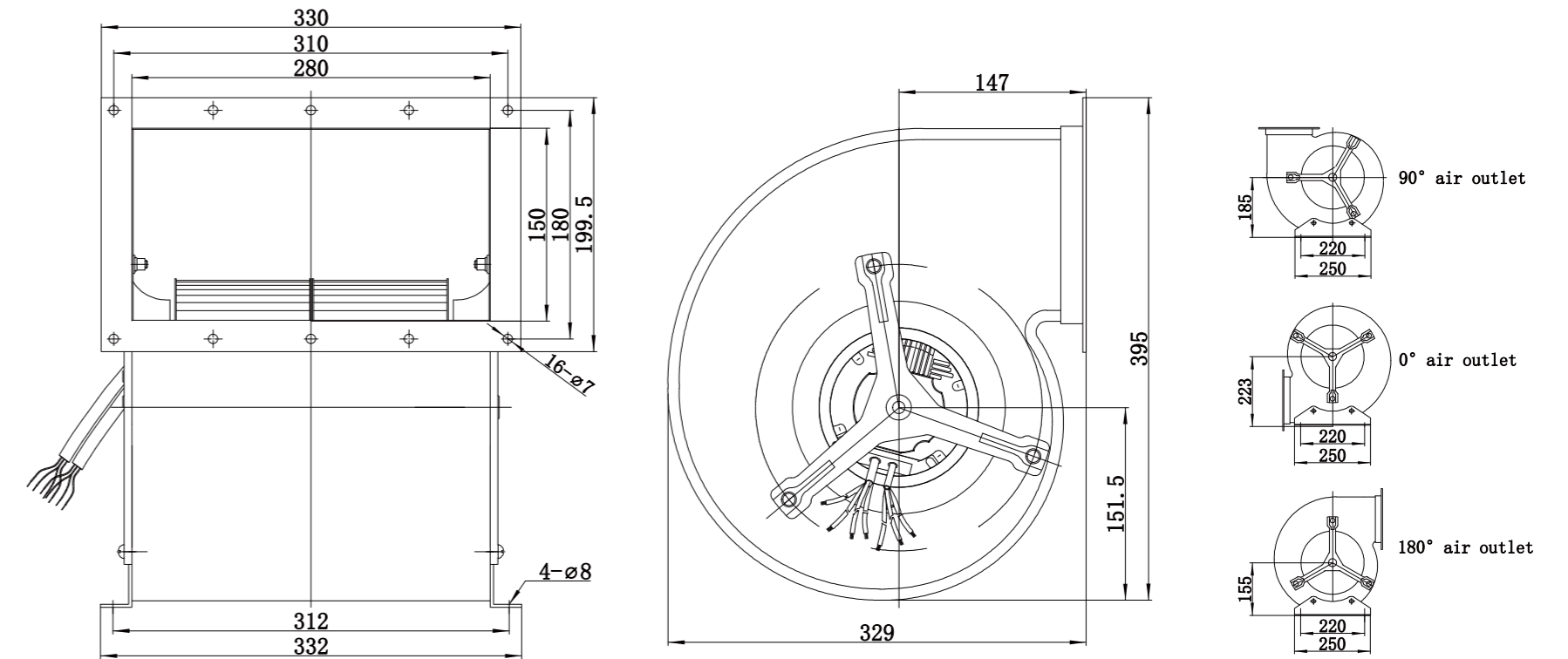
- Material : Metal
- Mode of operation: S1
- Type of operation: IP54
- Insulation class: F
- Bearing: Maintenance-free ball bearings
- Operation Temperature: -30~+60 C



Technical Specifications

Model	Voltage (V)	Frequency (Hz)	Power (W)	Current (A)	Speed (RPM)	Air Flow (m³/h)	Air Pressure (Pa)	Noise [dB(A)]	Curve
LWFE3G200-102DS-02	230	50/60	390	1.55	1300	2575	464	66	/

Product Drawing (mm)



LWFE-225 Series

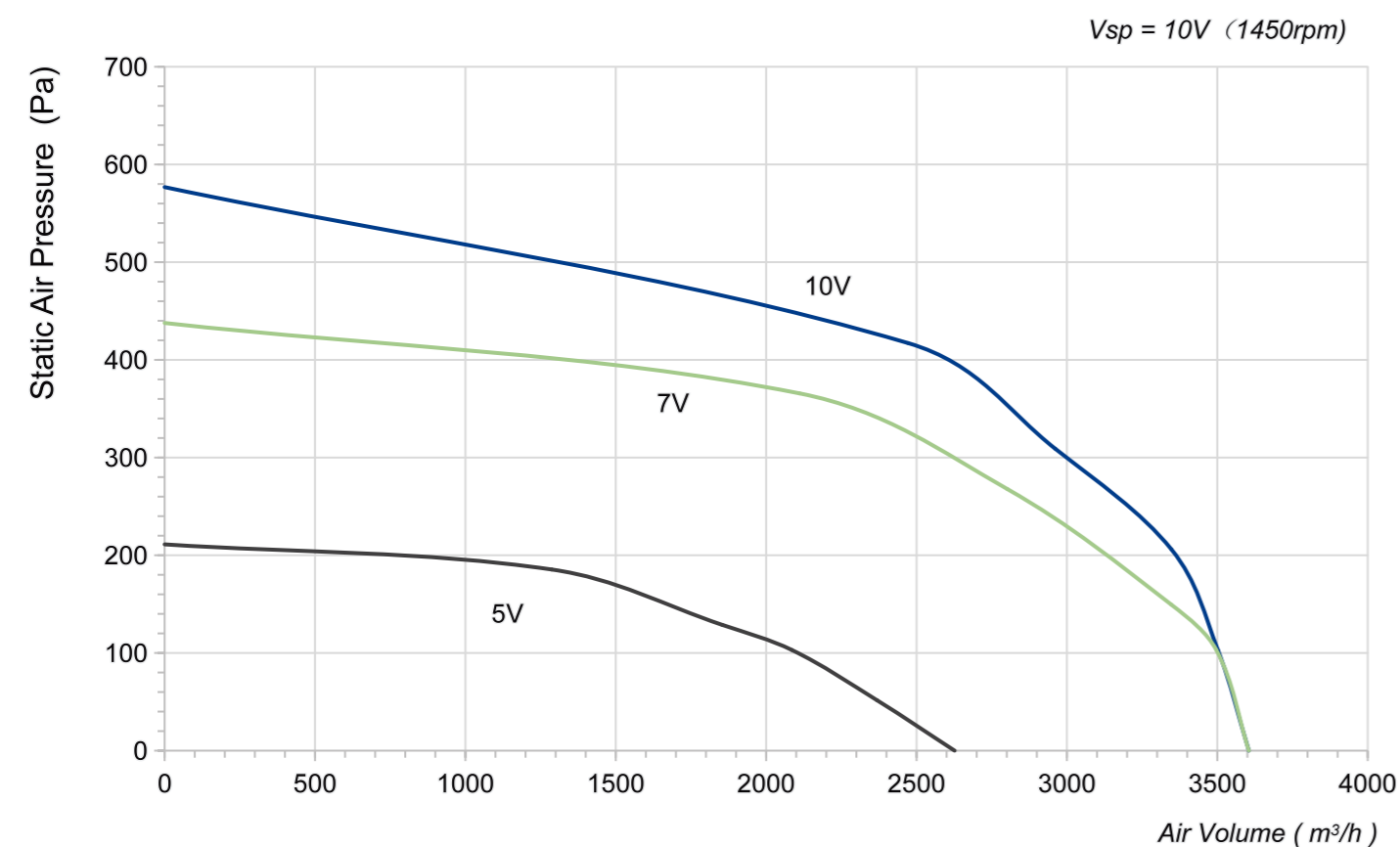
Product Characteristic

- Material : Metal
- Mode of operation: S1
- Type of operation: IP44
- Insulation class: F
- Bearing: Maintenance-free ball bearings
- Operation Temperature: -25~+60 C

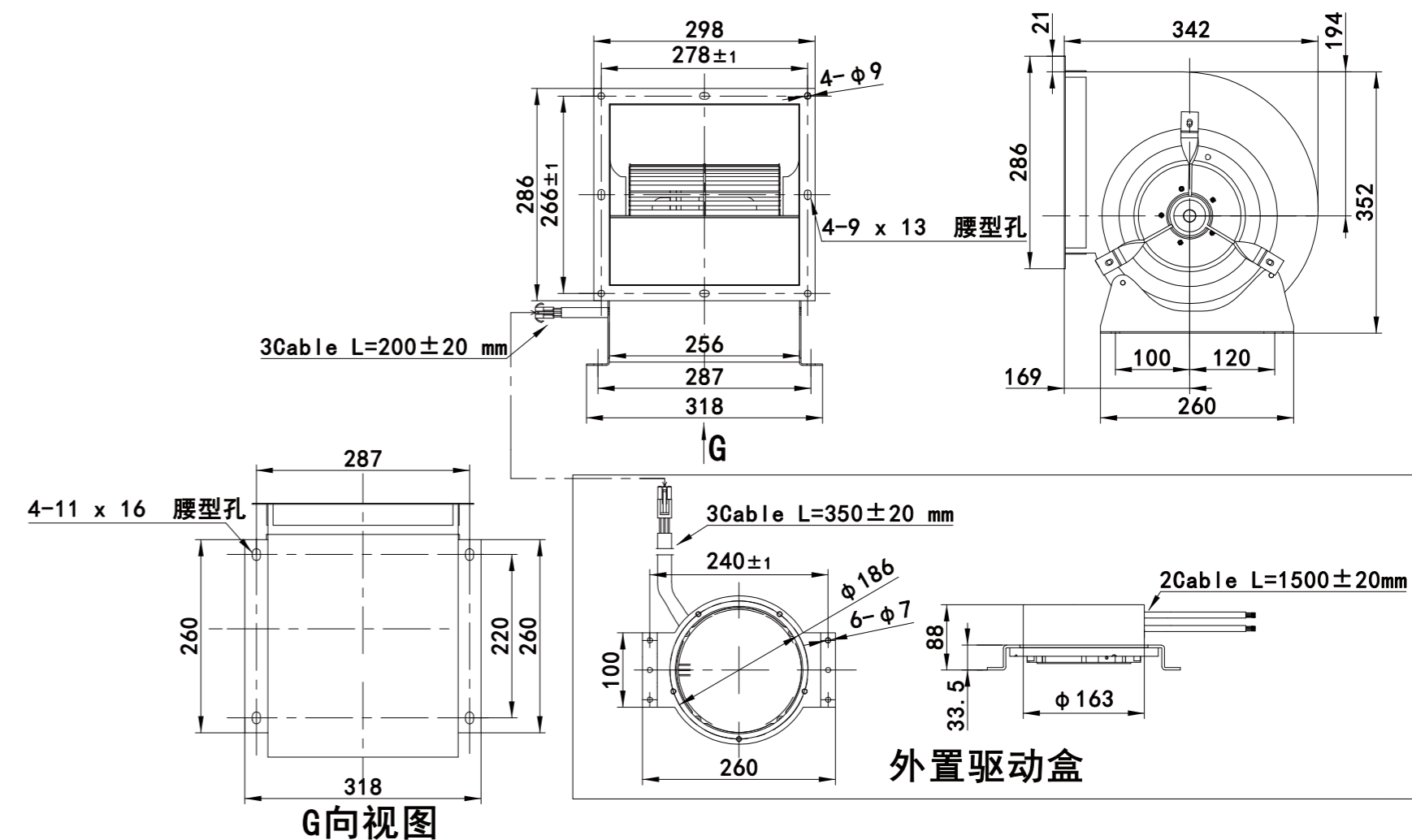


Technical Specifications

Model	Voltage (V)	Frequency (Hz)	Power (W)	Current (A)	Speed (RPM)	Air Flow (m³/h)	Air Pressure (Pa)	Noise [dB(A)]	Curve
LWFE3G225-138DS-01	380	50/60	1050	1.8	1450	3605	577	78	/



Product Drawing (mm)



LWFE-225 Series

Product Characteristic

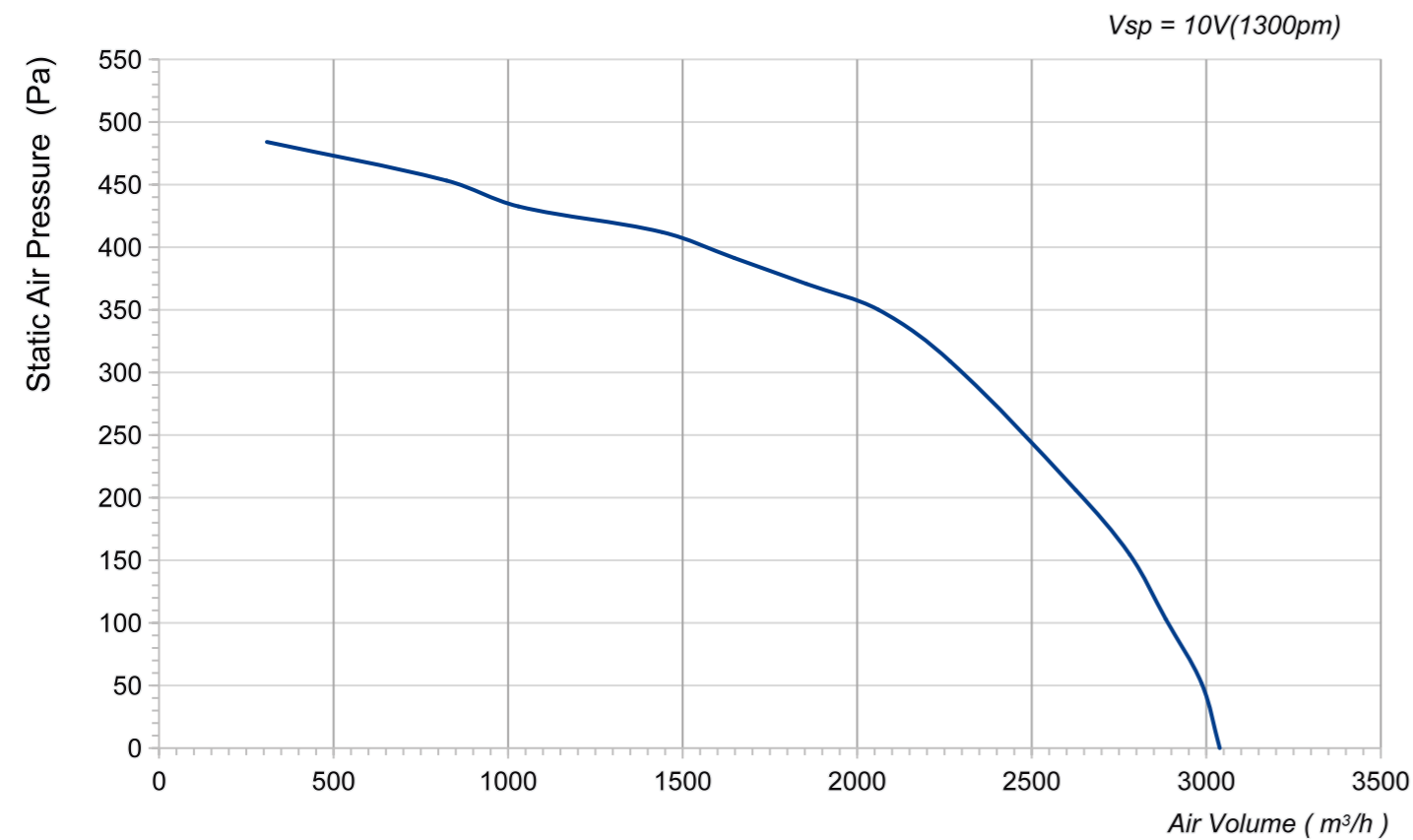
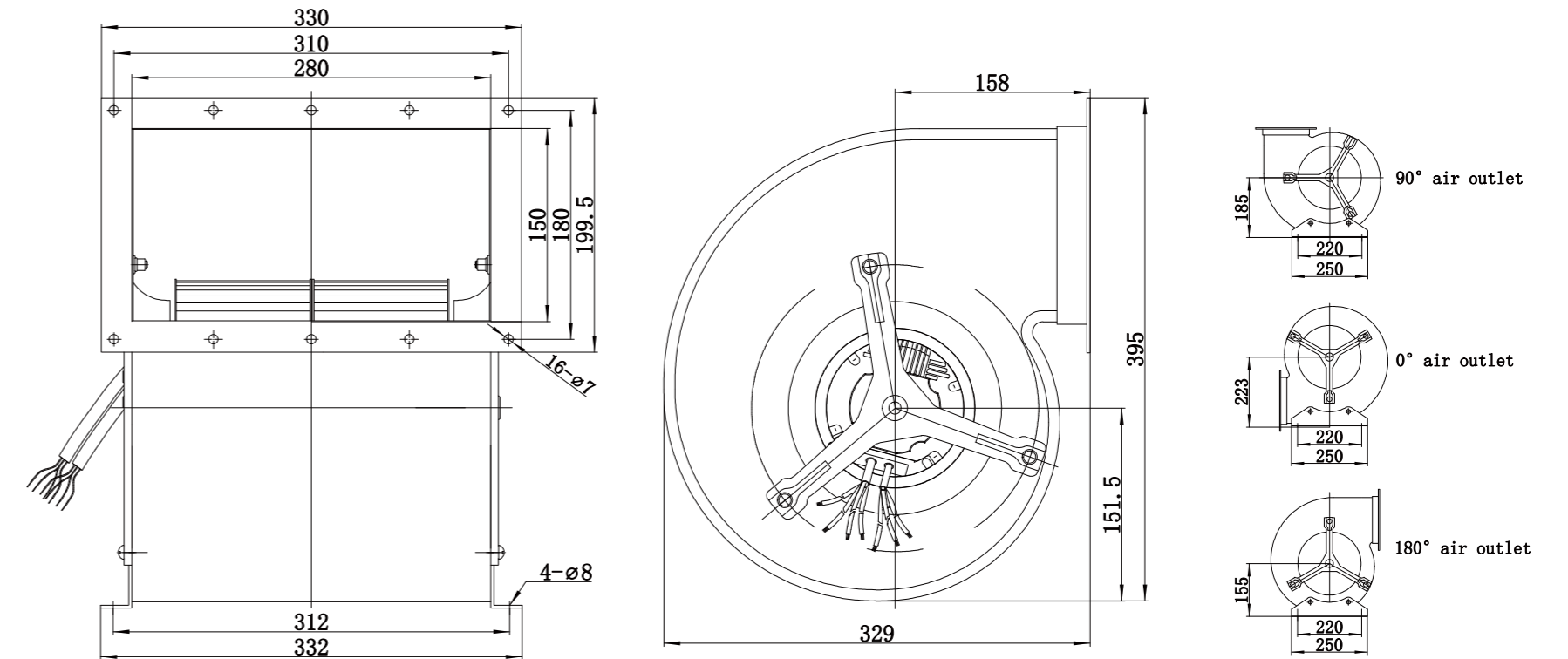
- Material : Metal
- Mode of operation: S1
- Type of operation: IP54
- Insulation class: F
- Bearing: Maintenance-free ball bearings
- Operation Temperature: -30~+60 C



Technical Specifications

Model	Voltage (V)	Frequency (Hz)	Power (W)	Current (A)	Speed (RPM)	Air Flow (m³/h)	Air Pressure (Pa)	Noise [dB(A)]	Curve
LWFE3G225-102DS-02	230	50/60	450	1.75	1300	3039	484	68	/

Product Drawing (mm)



LWFE-225 Series

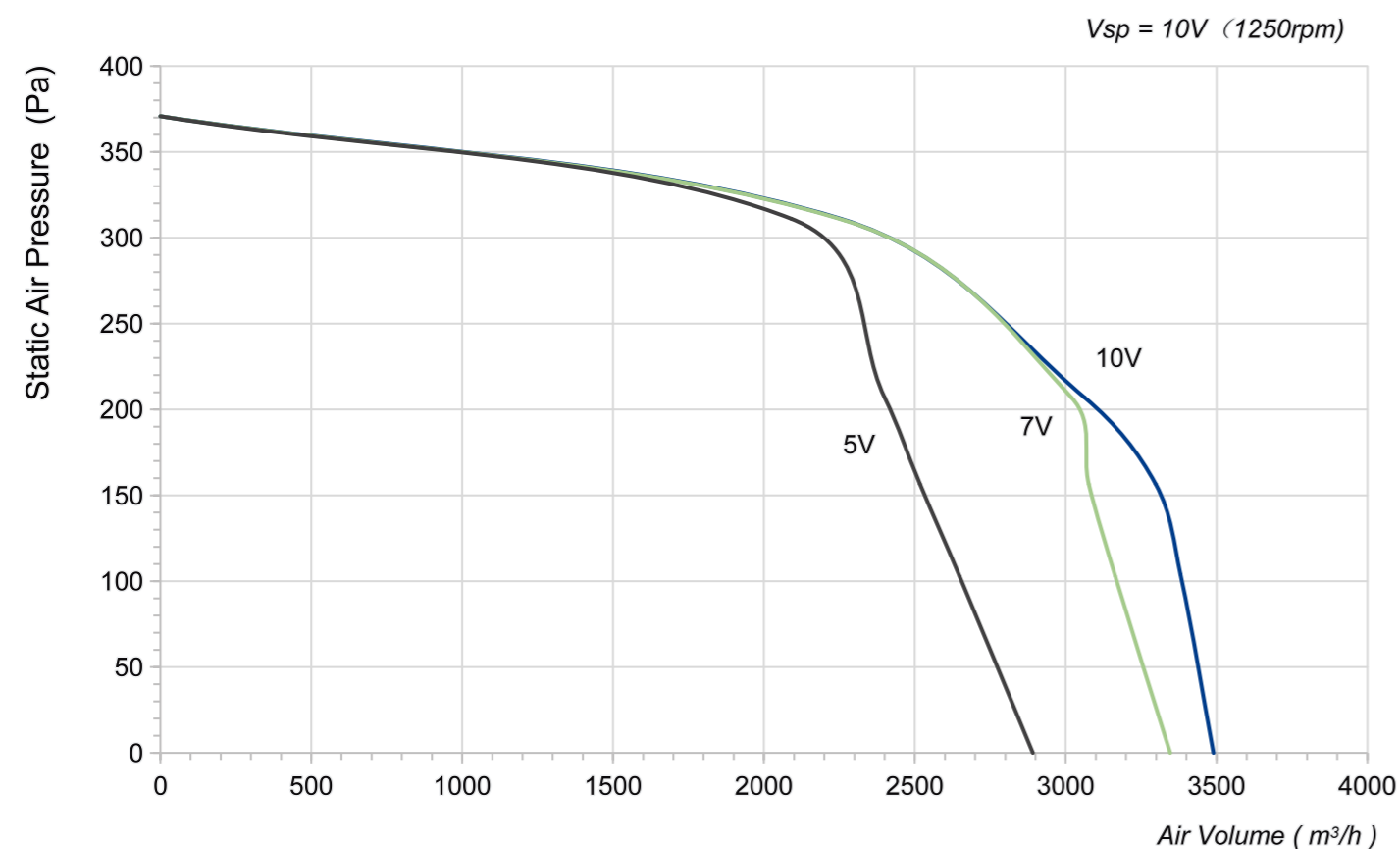
Product Characteristic

- Material : Metal
- Mode of operation: S1
- Type of operation: IP44
- Insulation class: B
- Bearing: Maintenance-free ball bearings
- Operation Temperature: -20~+60 C

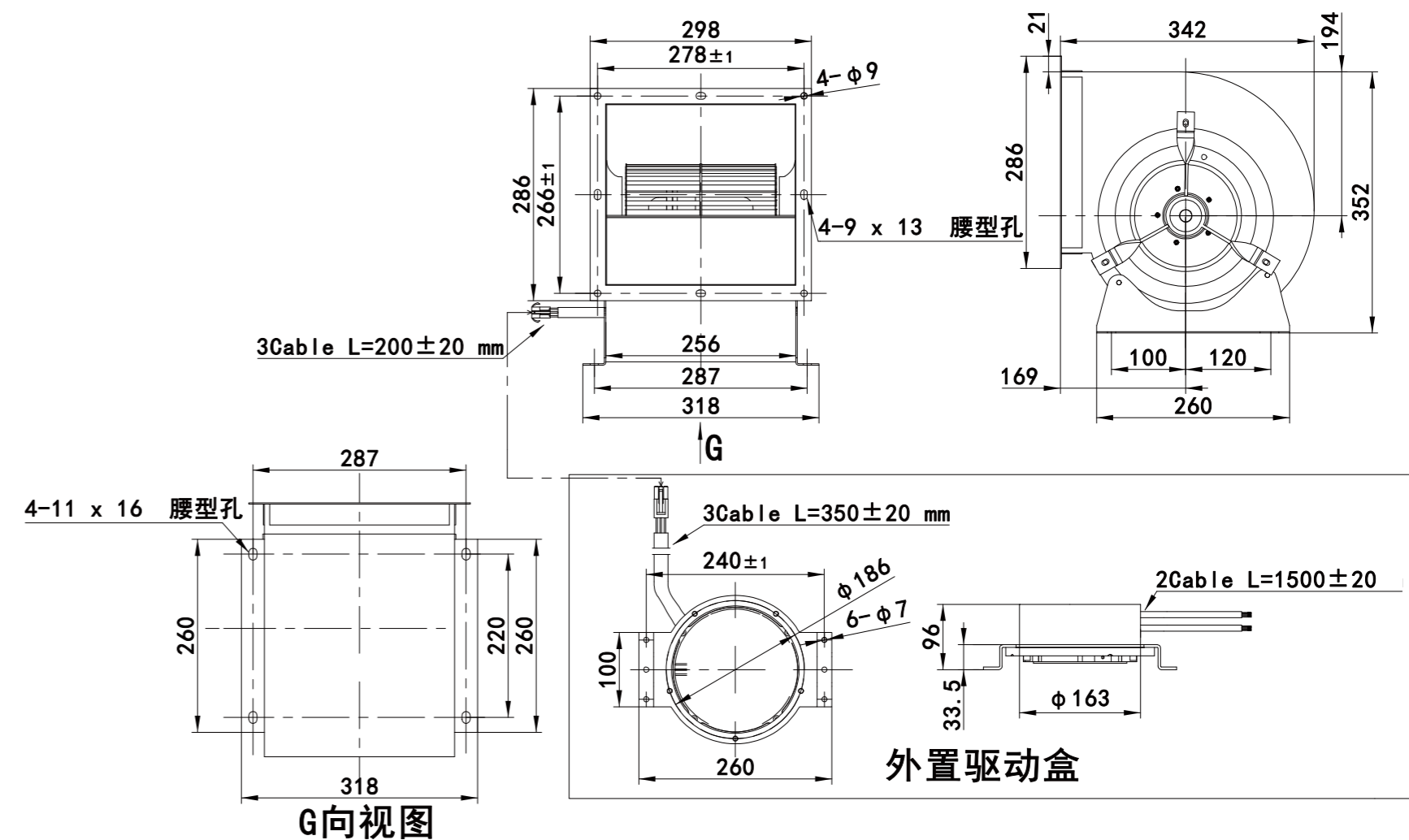


Technical Specifications

Model	Voltage (V)	Frequency (Hz)	Power (W)	Current (A)	Speed (RPM)	Air Flow (m³/h)	Air Pressure (Pa)	Noise [dB(A)]	Curve
LWFE3G225-138DS-03	230	50/60	750	3.5	1250	3502	371	77	/



Product Drawing (mm)



LWFE-250 Series

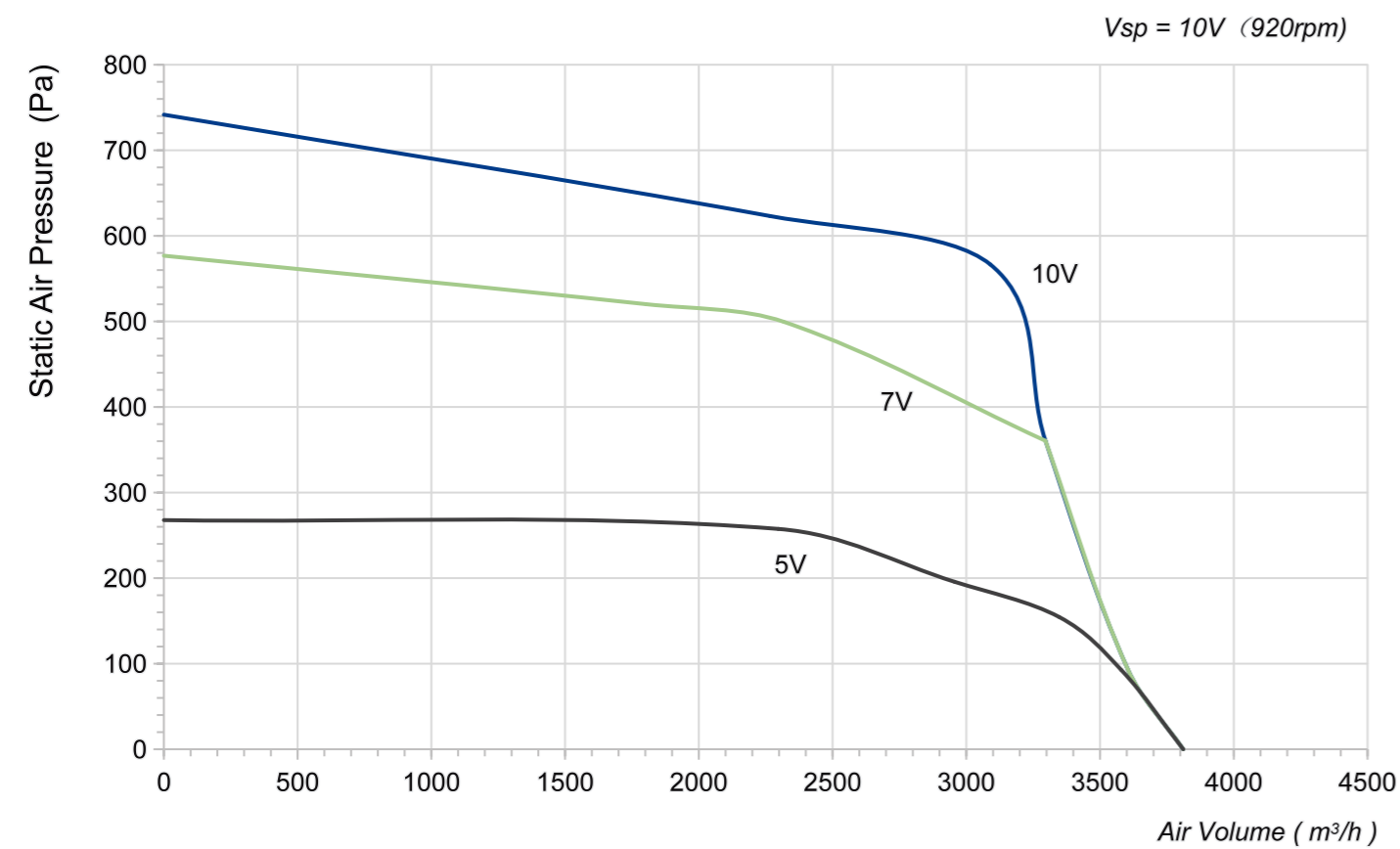
Product Characteristic

- Material : Metal
- Mode of operation: S1
- Type of operation: IP44
- Insulation class: F
- Bearing: Maintenance-free ball bearings
- Operation Temperature: -25~+60 C

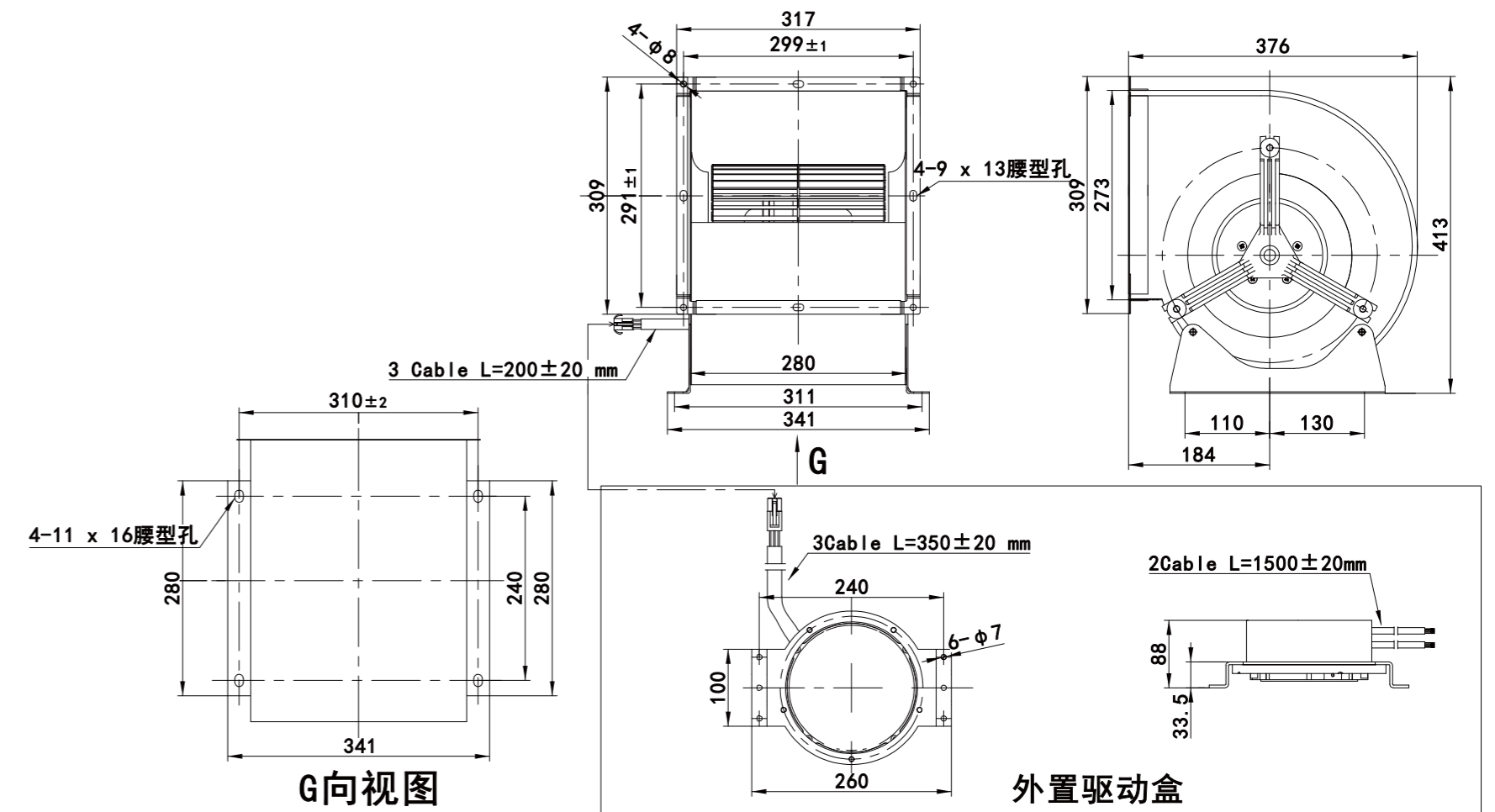


Technical Specifications

Model	Voltage (V)	Frequency (Hz)	Power (W)	Current (A)	Speed (RPM)	Air Flow (m³/h)	Air Pressure (Pa)	Noise [dB(A)]	Curve
LWFE3G250-138DS-01	380	50/60	655	1.2	920	3811	742	74	/



Product Drawing (mm)



LWFE-250 Series

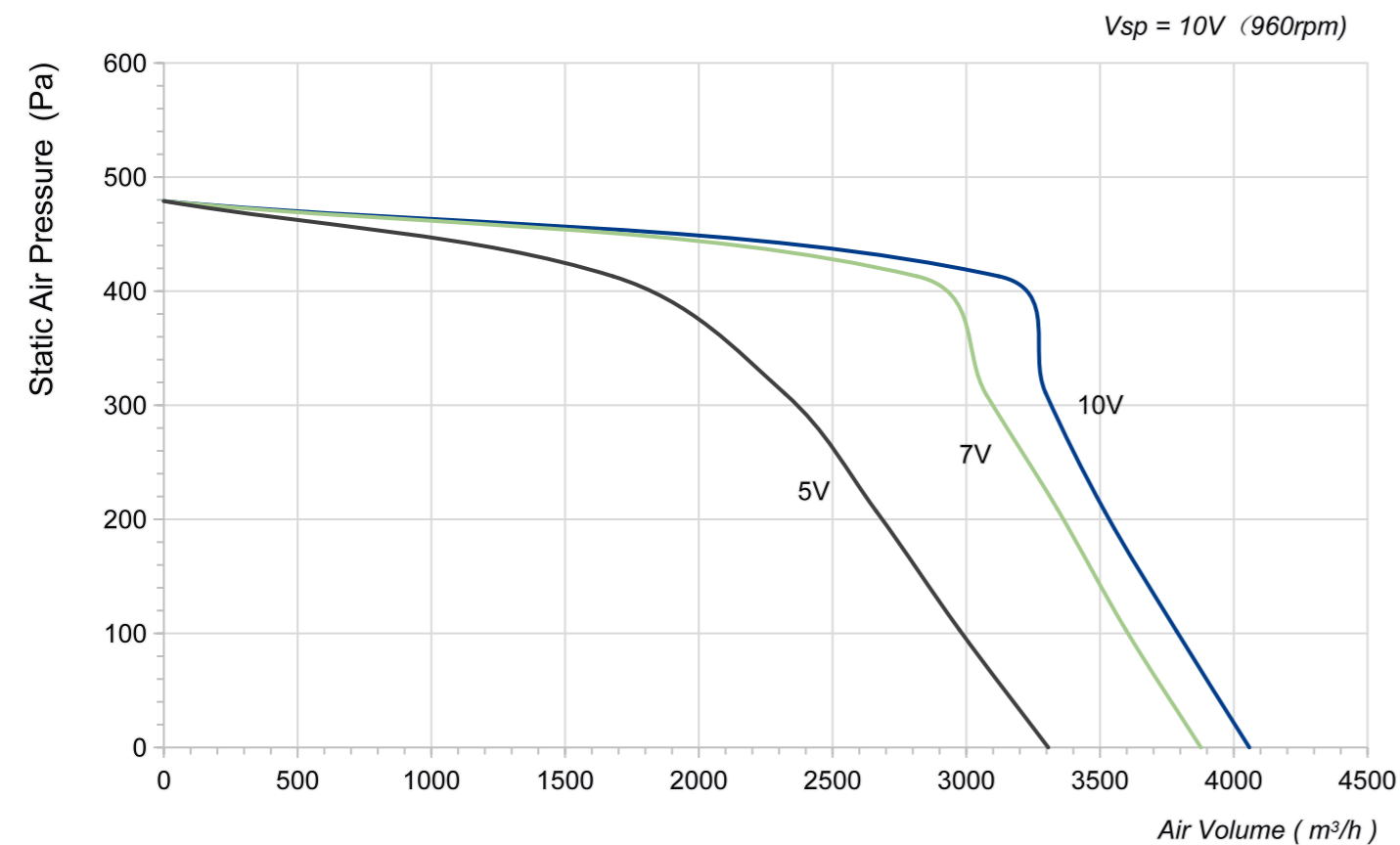
Product Characteristic

- Material : Metal
- Mode of operation: S1
- Type of operation: IP44
- Insulation class: B
- Bearing: Maintenance-free ball bearings
- Operation Temperature: -20~+60 C

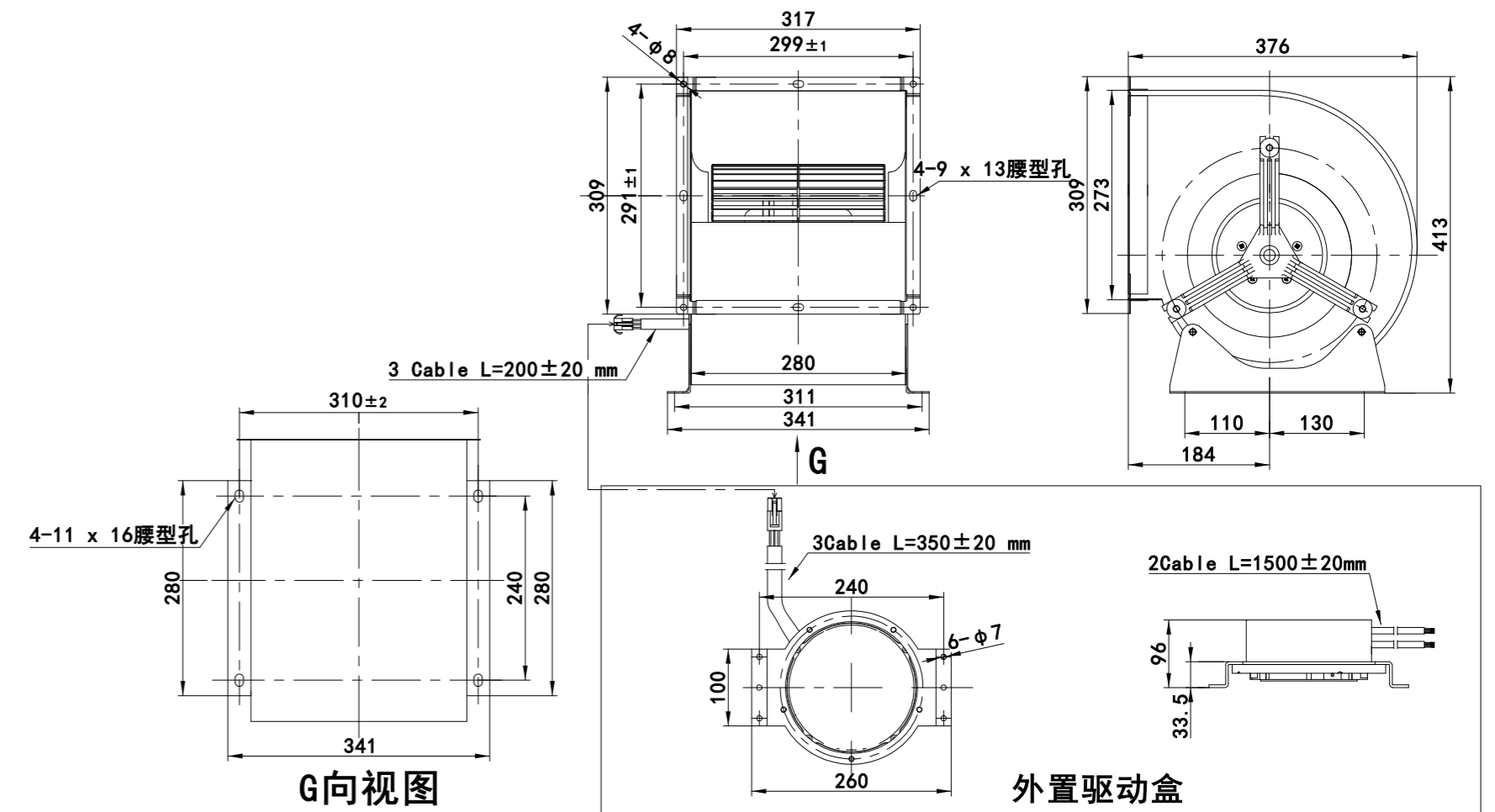


Technical Specifications

Model	Voltage (V)	Frequency (Hz)	Power (W)	Current (A)	Speed (RPM)	Air Flow (m³/h)	Air Pressure (Pa)	Noise [dB(A)]	Curve
LWFE3G250-138DS-02	230	50/60	750	3.5	960	4058	479	75	/



Product Drawing (mm)



LWFE-280 Series

Product Characteristic

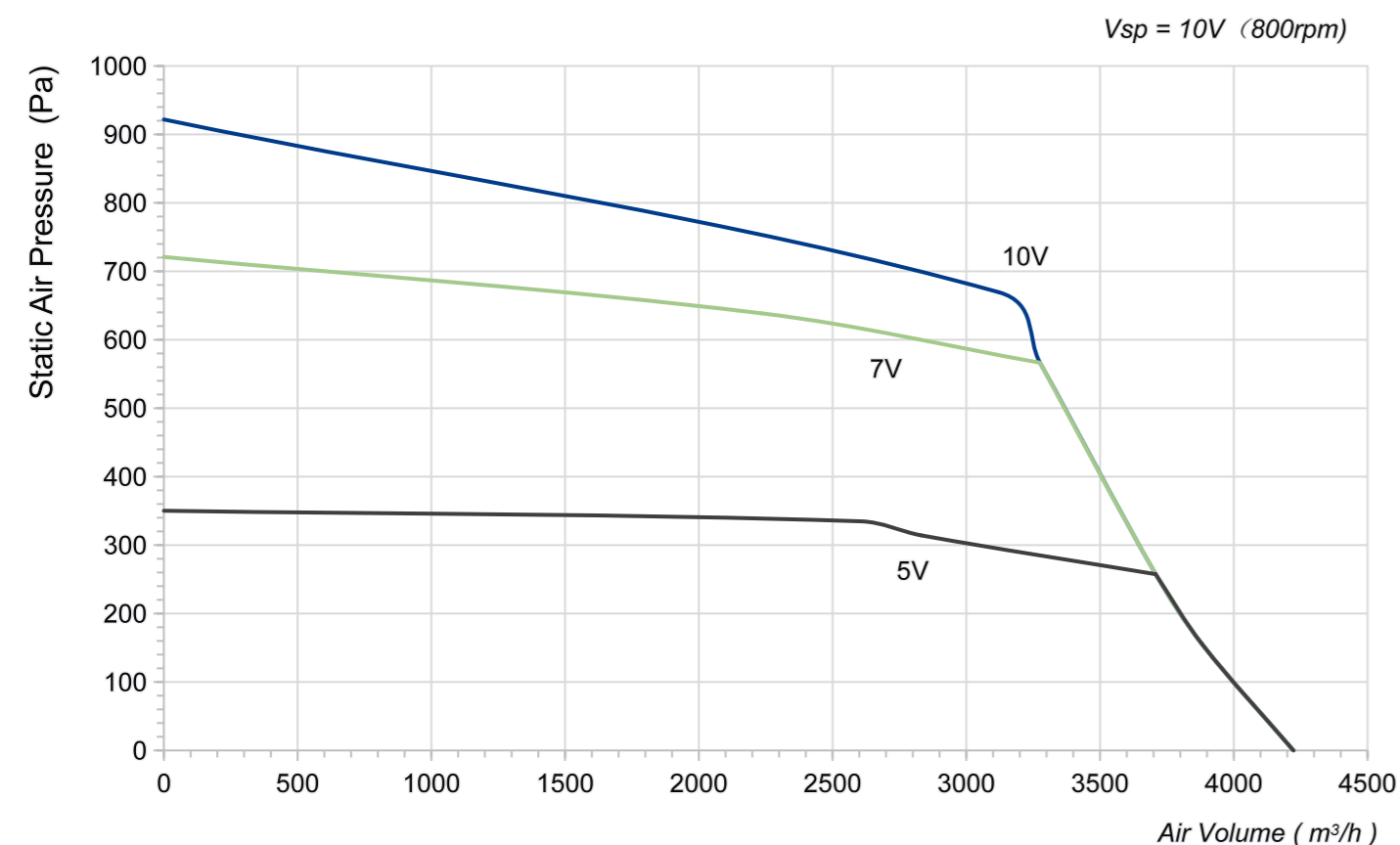
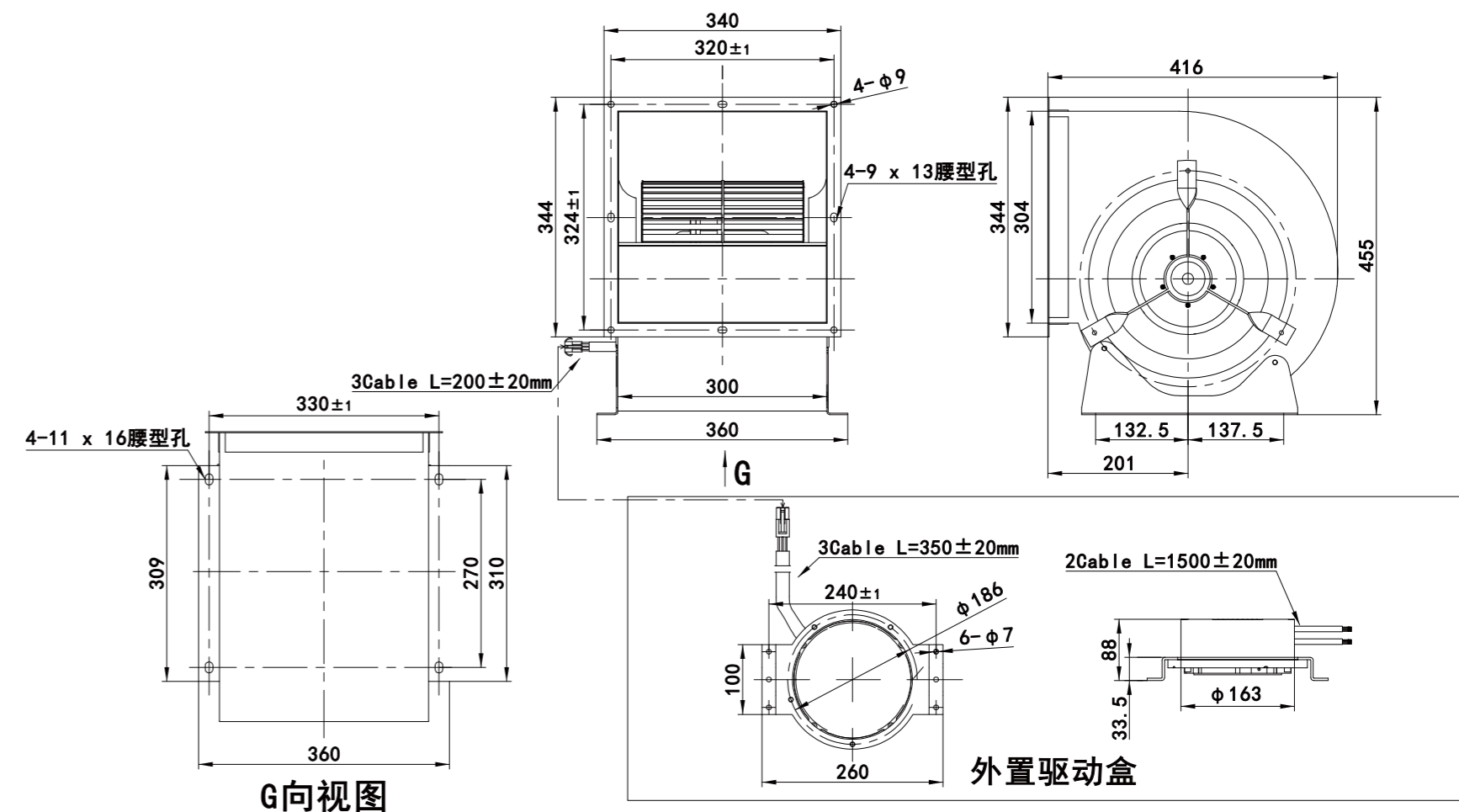
- Material : Metal
- Mode of operation: S1
- Type of operation: IP44
- Insulation class: F
- Bearing: Maintenance-free ball bearings
- Operation Temperature: -25~+60 C



Technical Specifications

Model	Voltage (V)	Frequency (Hz)	Power (W)	Current (A)	Speed (RPM)	Air Flow (m³/h)	Air Pressure (Pa)	Noise [dB(A)]	Curve
LWFE3G280-138DS-01	380	50/60	600	1.1	800	4223	917	72	/

Product Drawing (mm)



LWFE-280 Series

Product Characteristic

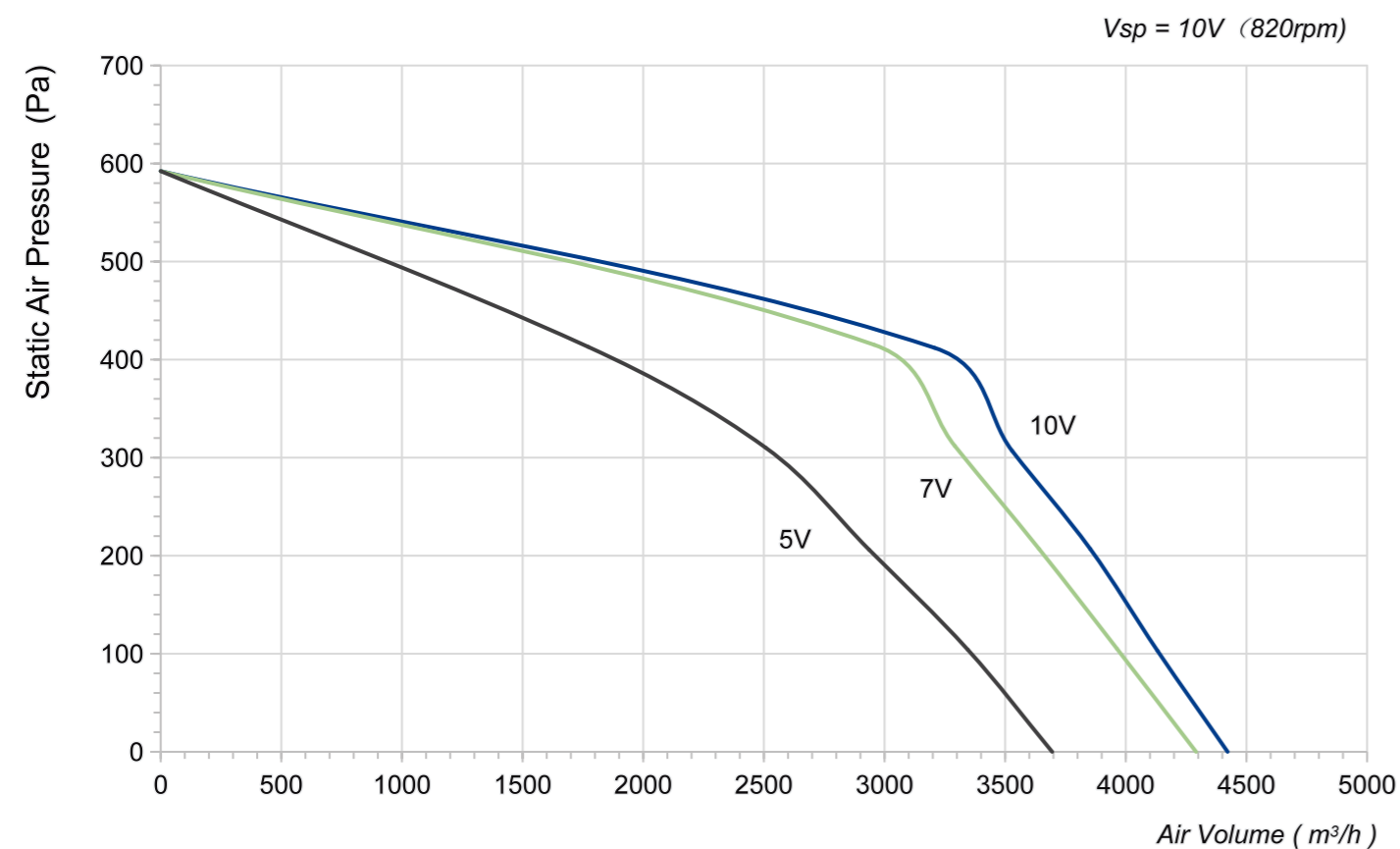
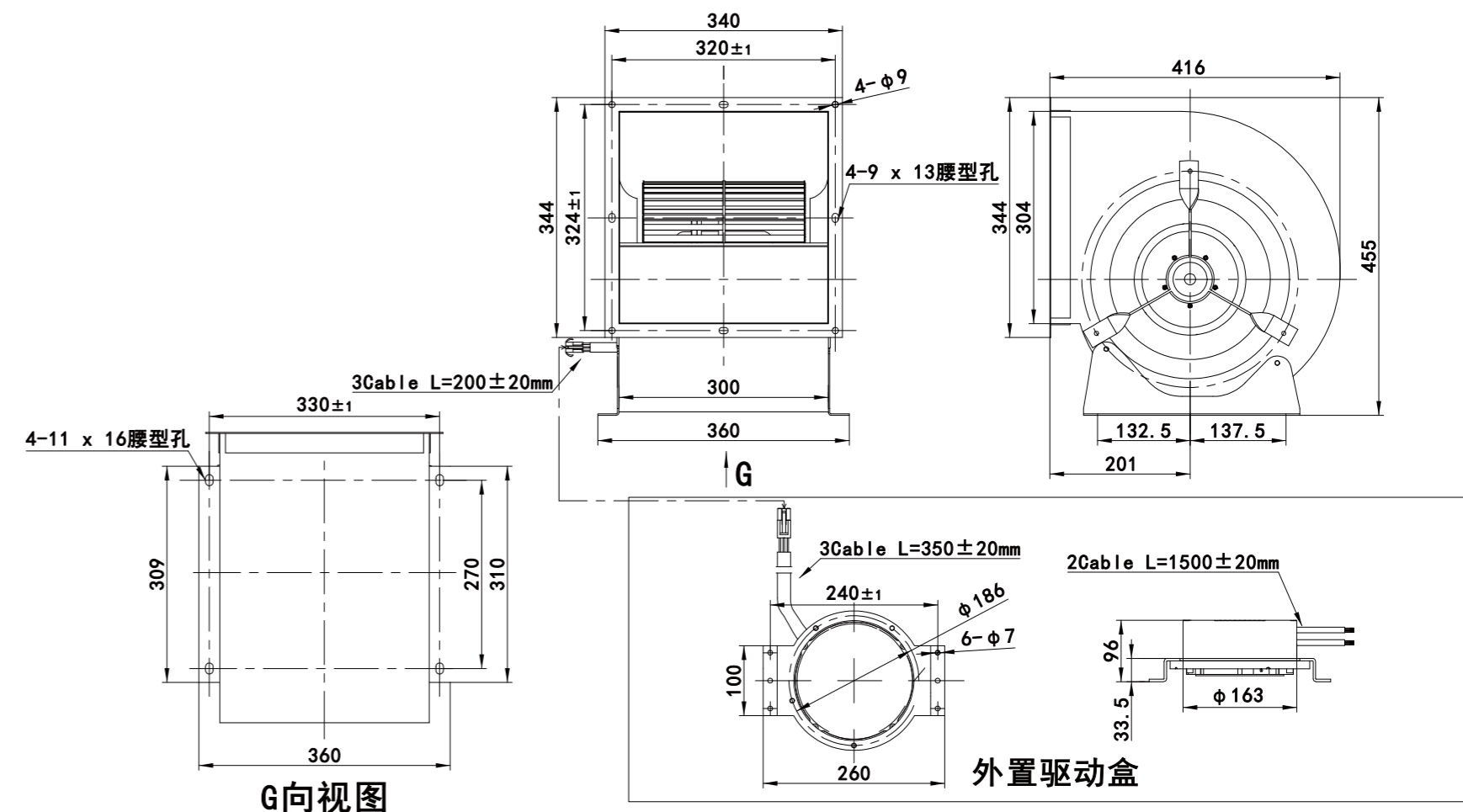
- Material : Metal
- Mode of operation: S1
- Type of operation: IP44
- Insulation class: B
- Bearing: Maintenance-free ball bearings
- Operation Temperature: -20~+60 C



Technical Specifications

Model	Voltage (V)	Frequency (Hz)	Power (W)	Current (A)	Speed (RPM)	Air Flow (m³/h)	Air Pressure (Pa)	Noise [dB(A)]	Curve
LWFE3G280-138DS-02	230	50/60	750	3.5	820	4422	592	74	/

Product Drawing (mm)



LWFE-315 Series

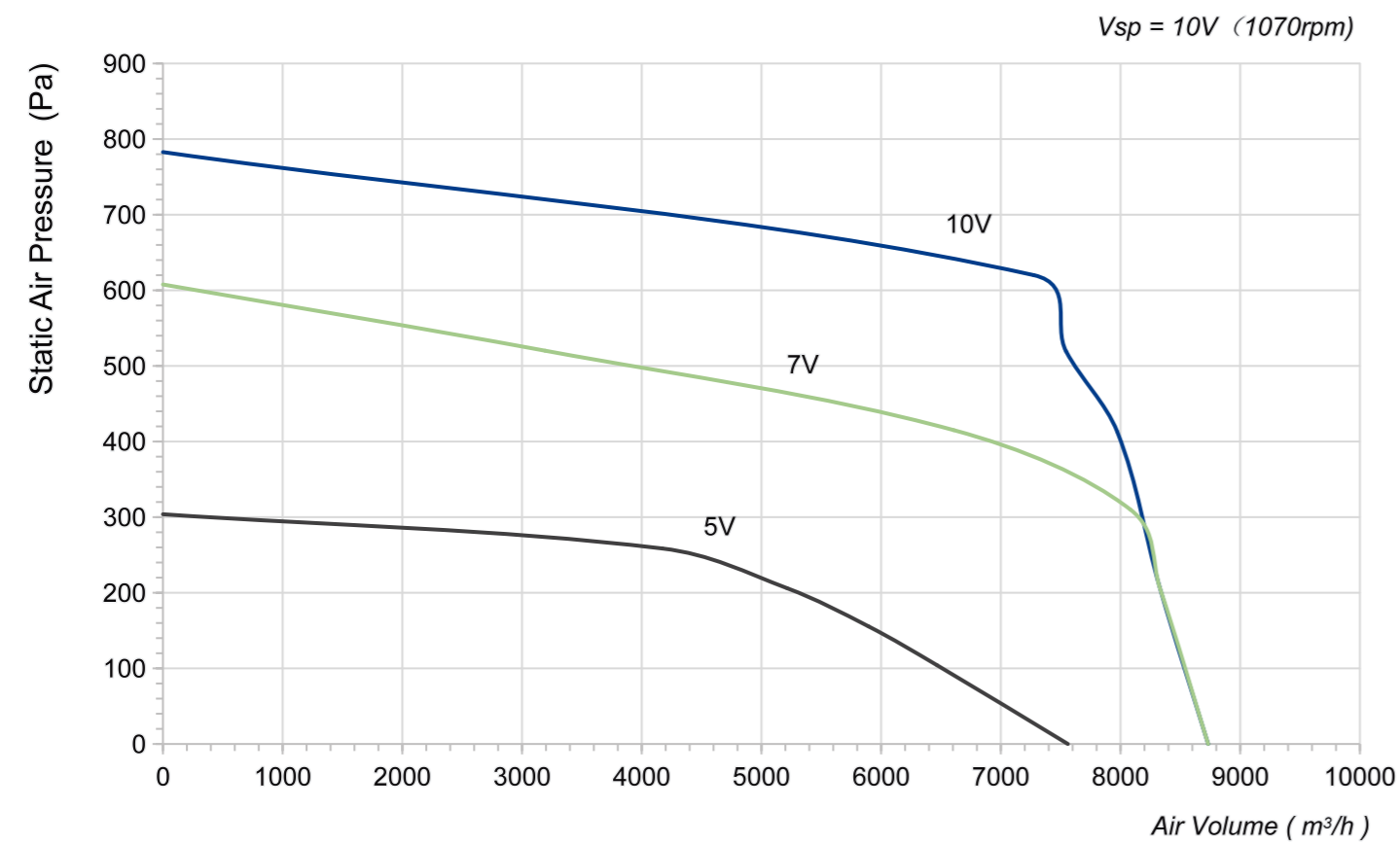
Product Characteristic

- Material : Metal
- Mode of operation: S1
- Type of operation: IP44
- Insulation class: F
- Bearing: Maintenance-free ball bearings
- Operation Temperature: -30~+50 C

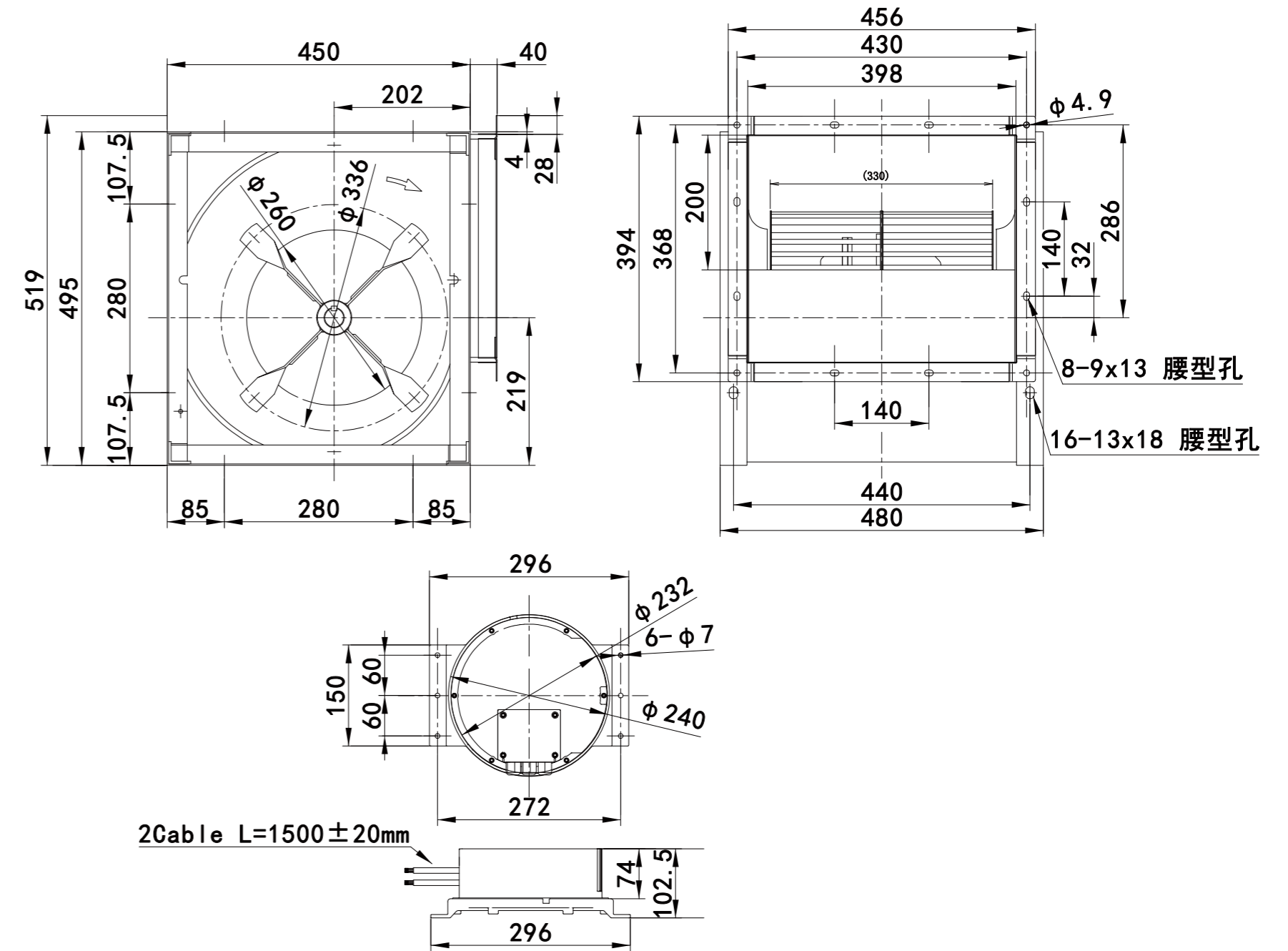


Technical Specifications

Model	Voltage (V)	Frequency (Hz)	Power (W)	Current (A)	Speed (RPM)	Air Flow (m³/h)	Air Pressure (Pa)	Noise [dB(A)]	Curve
LWFE3G315-188DS-01	380	50/60	2400	4	1070	8732	783	81	/



Product Drawing (mm)



LWFE-355 Series

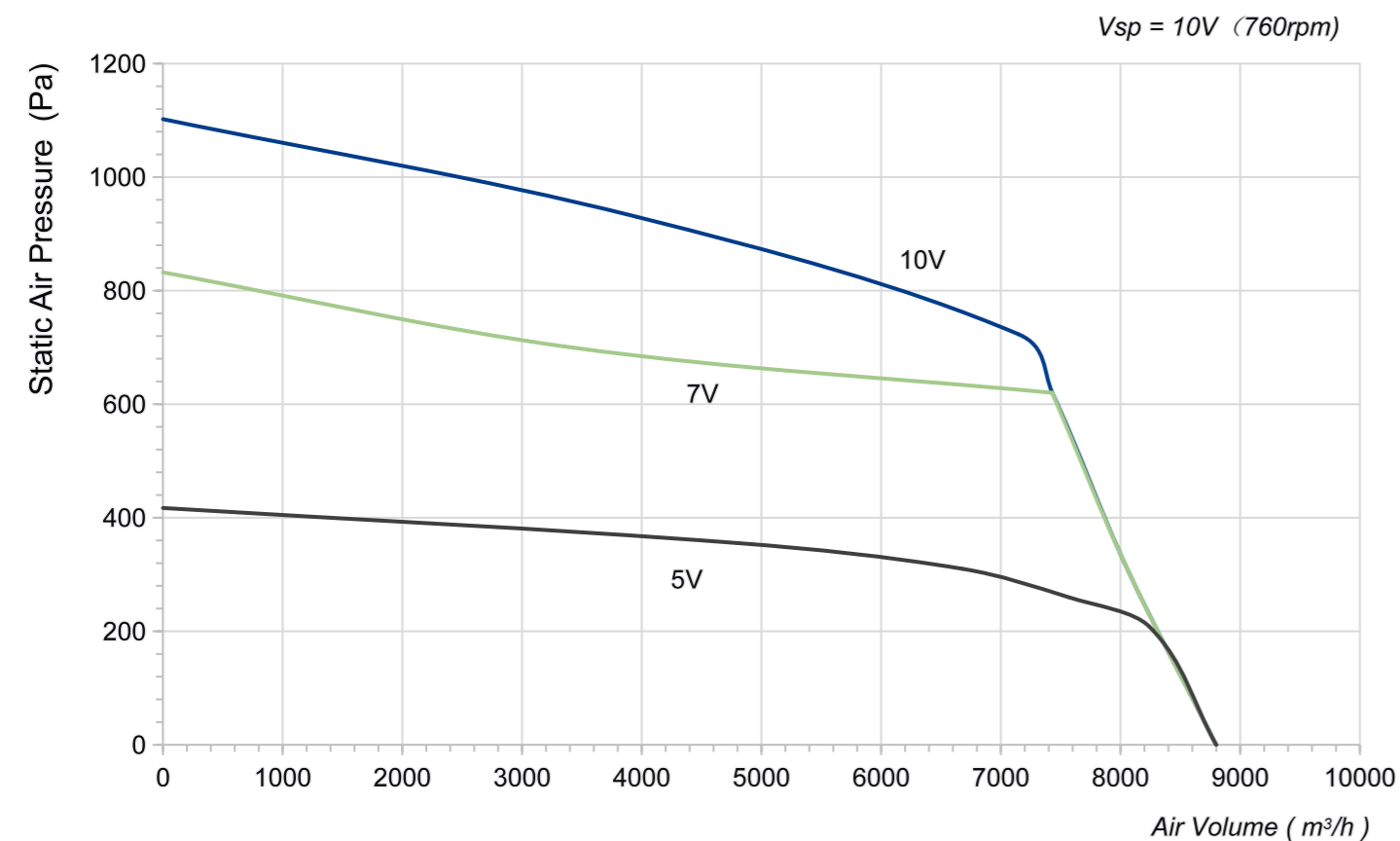
Product Characteristic

- Material : Metal
- Mode of operation: S1
- Type of operation: IP44
- Insulation class: F
- Bearing: Maintenance-free ball bearings
- Operation Temperature: -30~+50 C

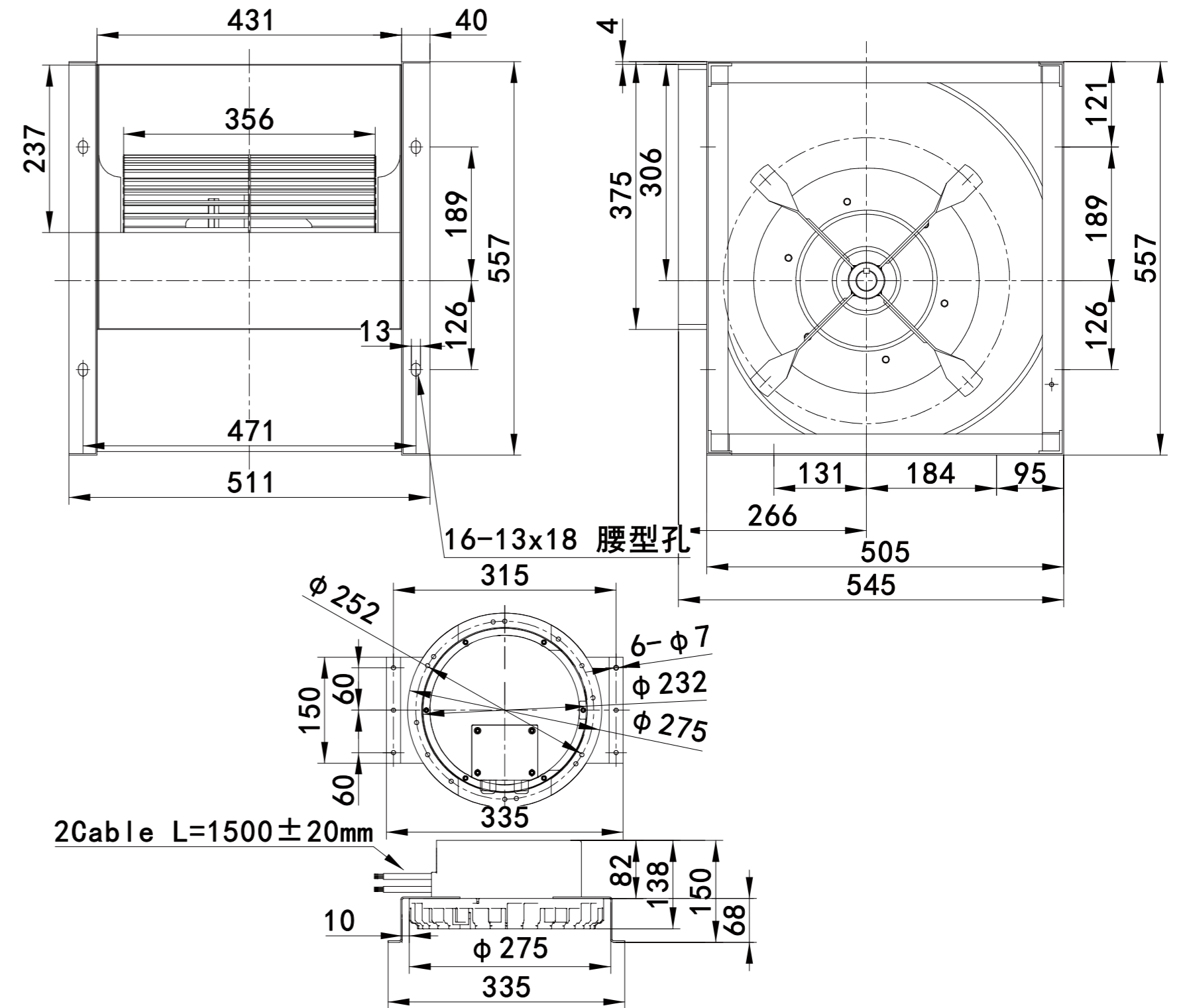


Technical Specifications

Model	Voltage (V)	Frequency (Hz)	Power (W)	Current (A)	Speed (RPM)	Air Flow (m³/h)	Air Pressure (Pa)	Noise [dB(A)]	Curve
LWFE3G355-188DS-01	380	50/60	1700	3	760	8799	1102	81	/



Product Drawing (mm)



LWFE-146 Series

Product Characteristic

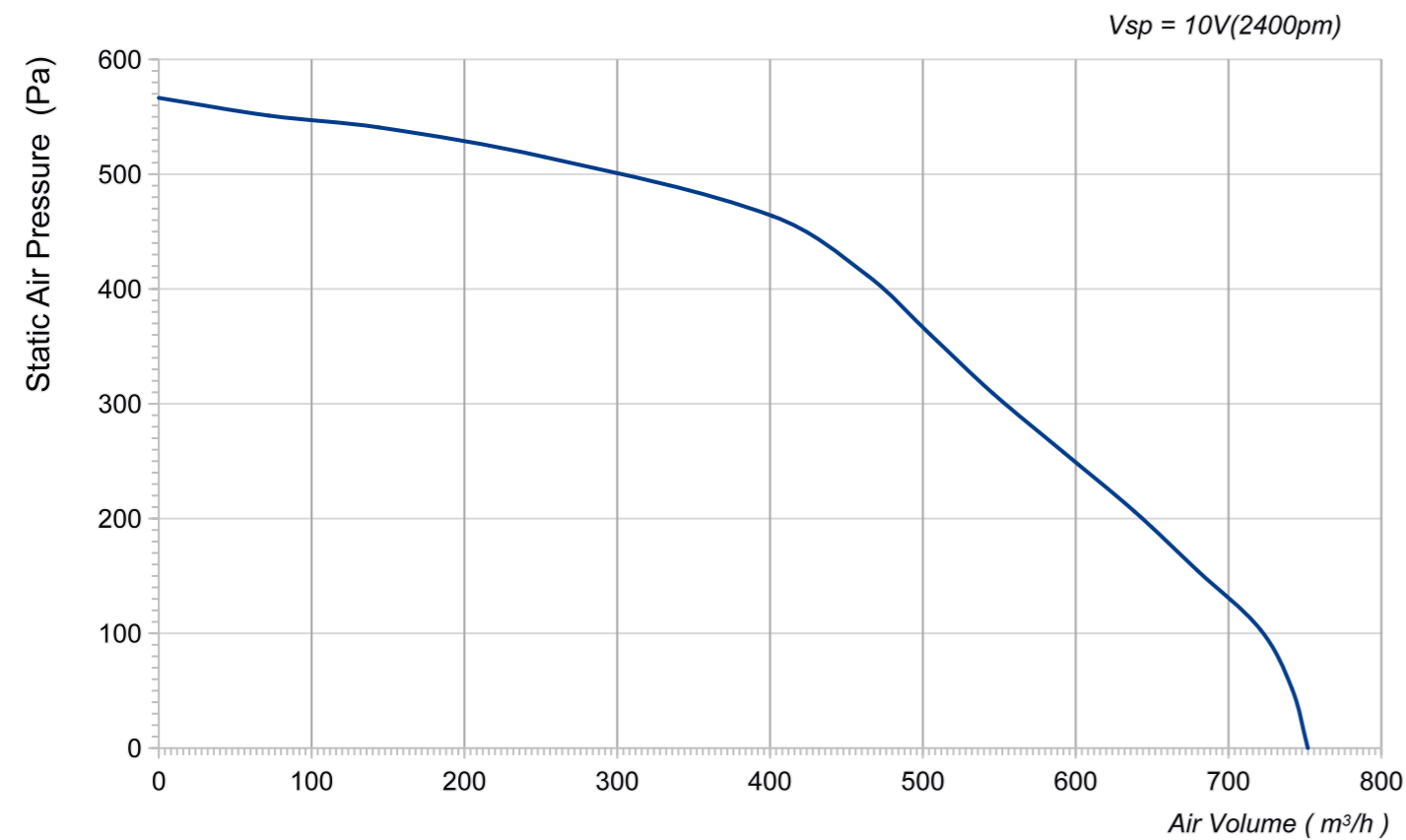
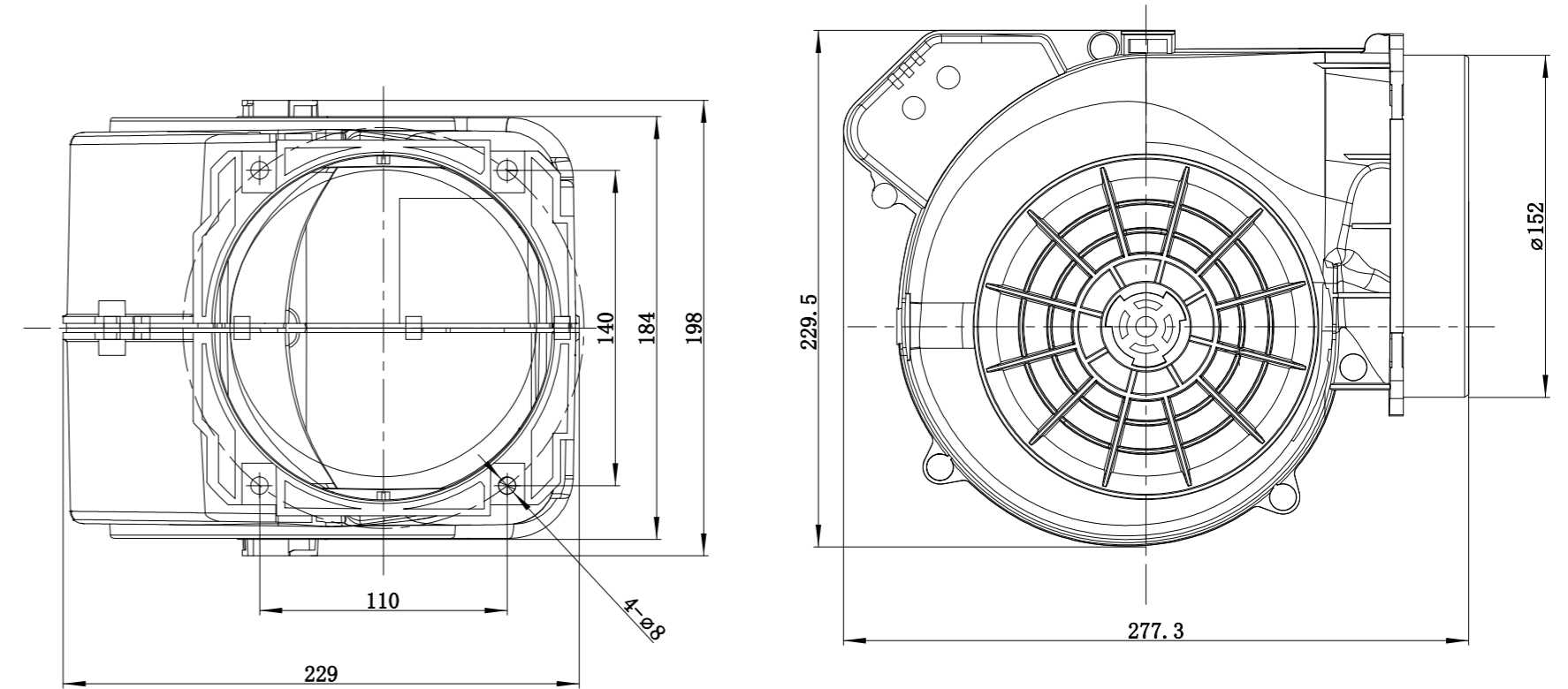
- Material : Plastic
- Mode of operation: S1
- Type of operation: IP54
- Insulation class: F
- Bearing: Maintenance-free ball bearings
- Operation Temperature: -30~+60 C



Technical Specifications

Model	Voltage (V)	Frequency (Hz)	Power (W)	Current (A)	Speed (RPM)	Air Flow (m³/h)	Air Pressure (Pa)	Noise [dB(A)]	Curve
LWFE3G146-072DS-04	230	50/60	115	0.85	2400	752	567	66	/

Product Drawing (mm)



LWFE-146 Series

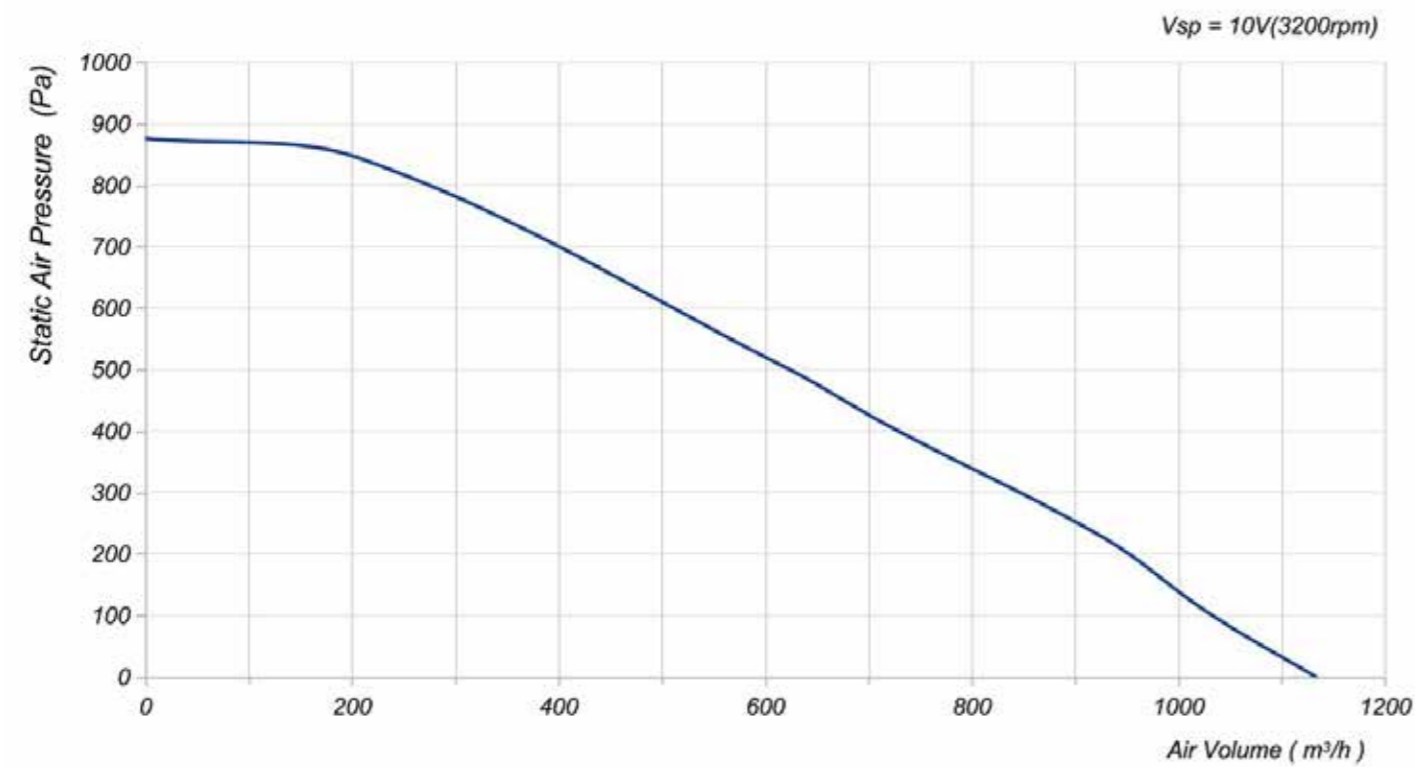
Product Characteristic

- Material : Plastic
- Mode of operation: S1
- Type of operation: IP55
- Insulation class: B
- Bearing: Maintenance-free ball bearings
- Operation Temperature: -25~+60 °C



Technical Specifications

Model	Voltage (V)	Frequency (Hz)	Power (W)	Current (A)	Speed (RPM)	Air Flow (m³/h)	Air Pressure (Pa)	Noise [dB(A)]	Curve
LWFE3G146-092DS-05	230	50/60	220	1.6	3200	1133	876	74	/



Product Drawing (mm)

