

EC Forward Centrifugal Fan



LWFE-108 Series

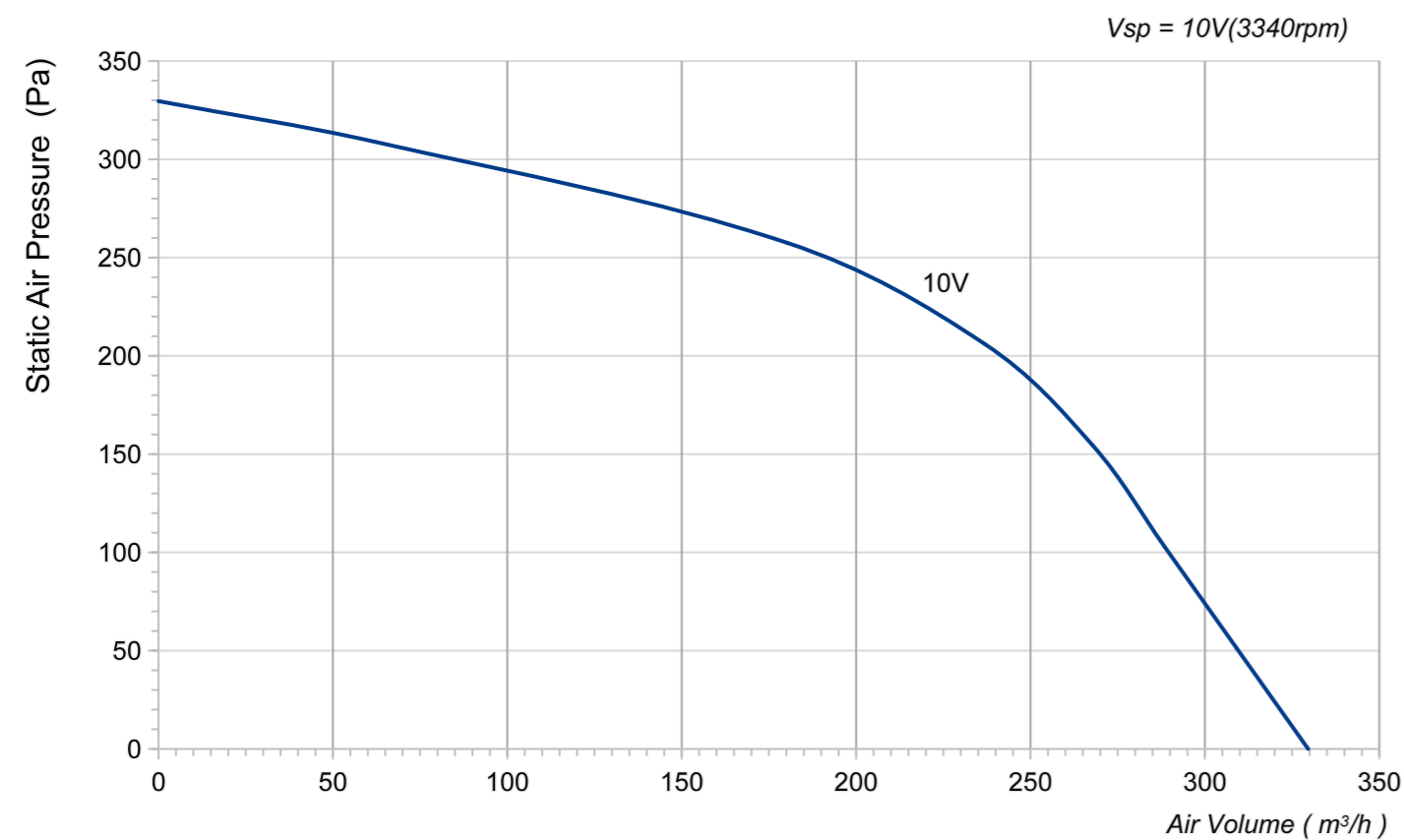
Product Characteristic

- Material : Galvanised sheet steel
- Mode of operation: S1
- Type of operation: IP55
- Insulation class: B
- Bearing: Maintenance-free ball bearings
- Operation Temperature: -30~+60 C

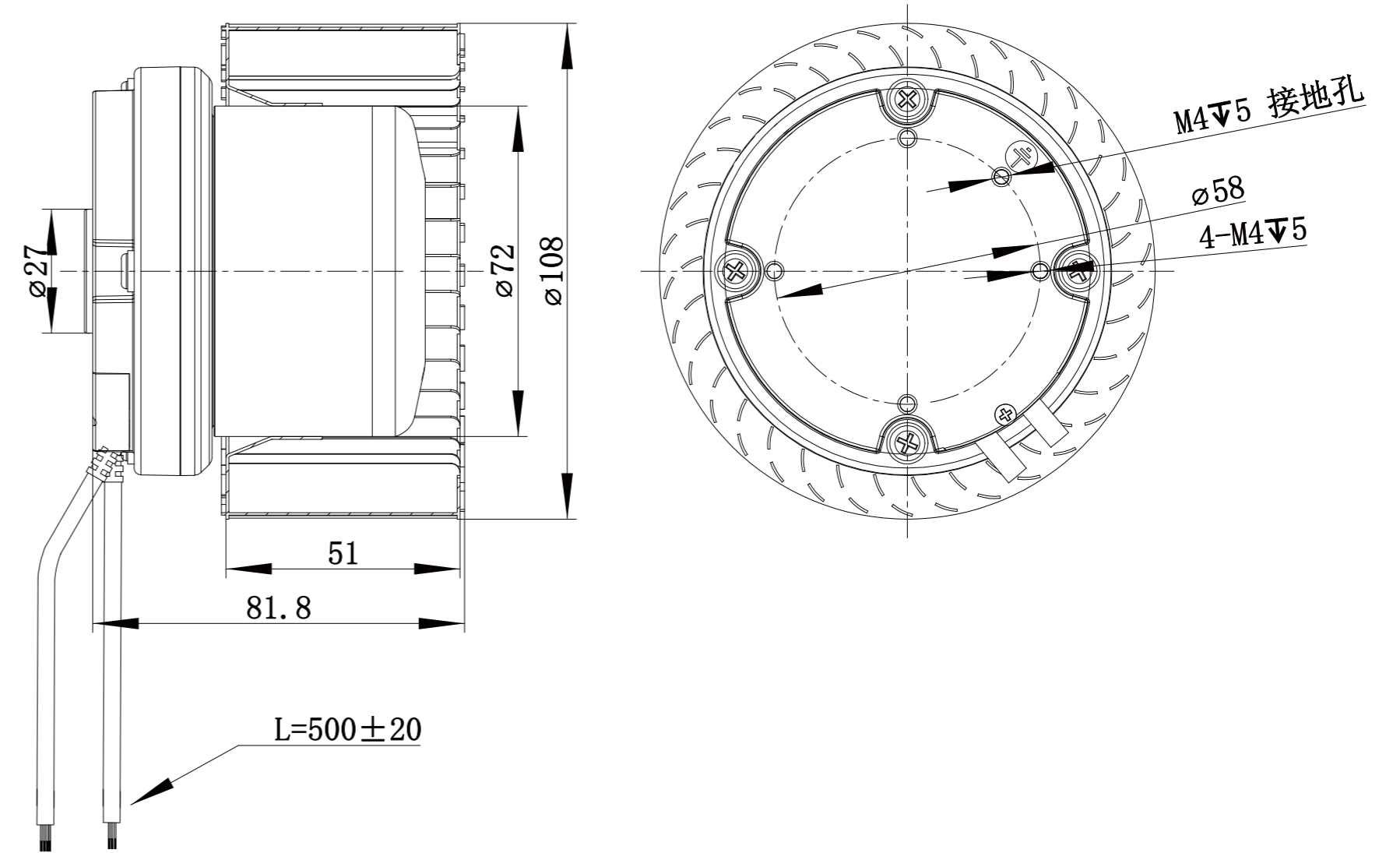


Technical Specifications

Model	Voltage (V)	Frequency (Hz)	Power (W)	Current (A)	Speed (RPM)	Air Flow (m³/h)	Air Pressure (Pa)	Noise [dB(A)]	Curve
LWFE3G108-072NS-01	230	50/60	82	0.65	3340	330	330	57	/



Product Drawing (mm)



LWFE-120 Series

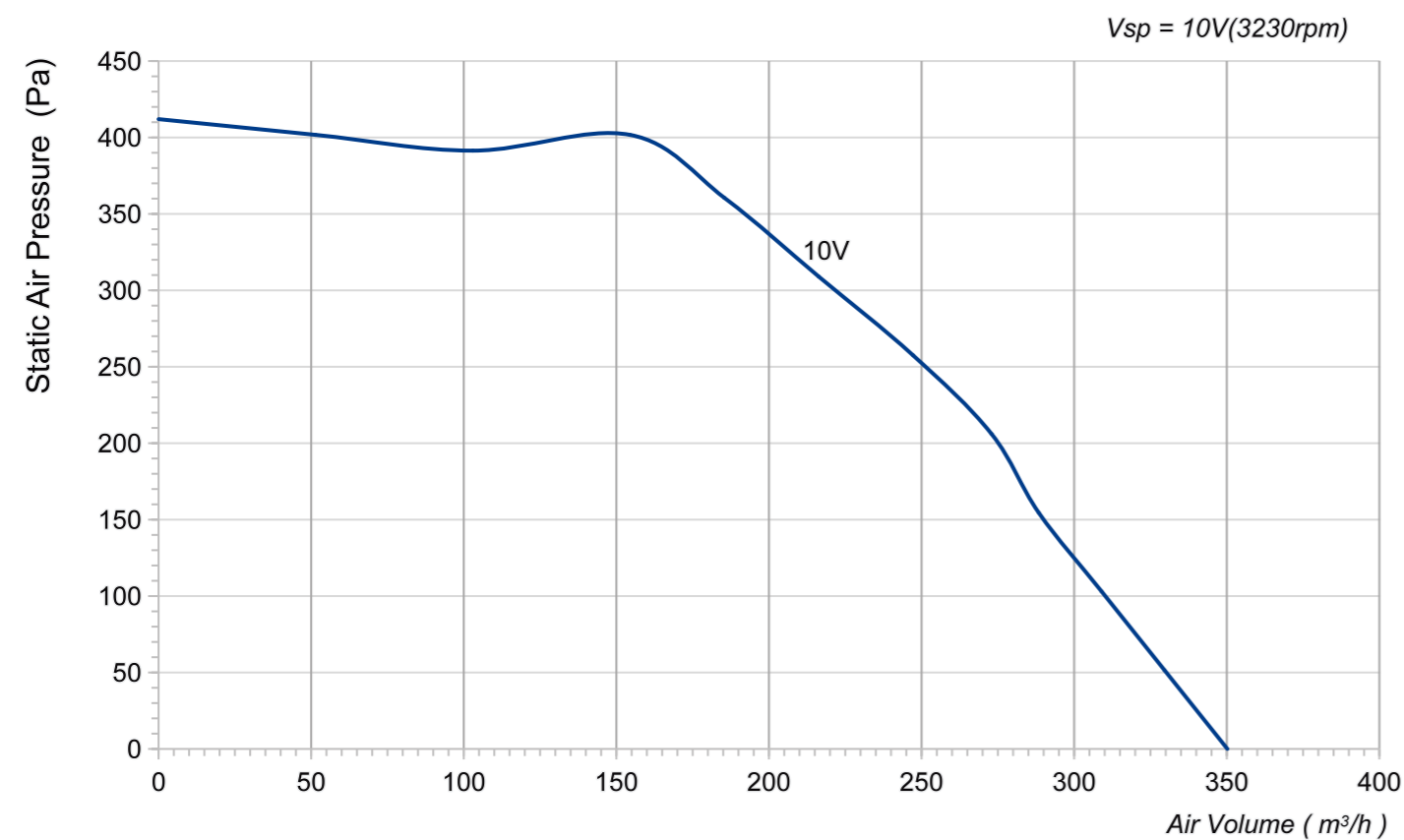
Product Characteristic

- Material : Galvanised sheet steel
- Mode of operation: S1
- Type of operation: IP55
- Insulation class: B
- Bearing: Maintenance-free ball bearings
- Operation Temperature: -30~+60 C

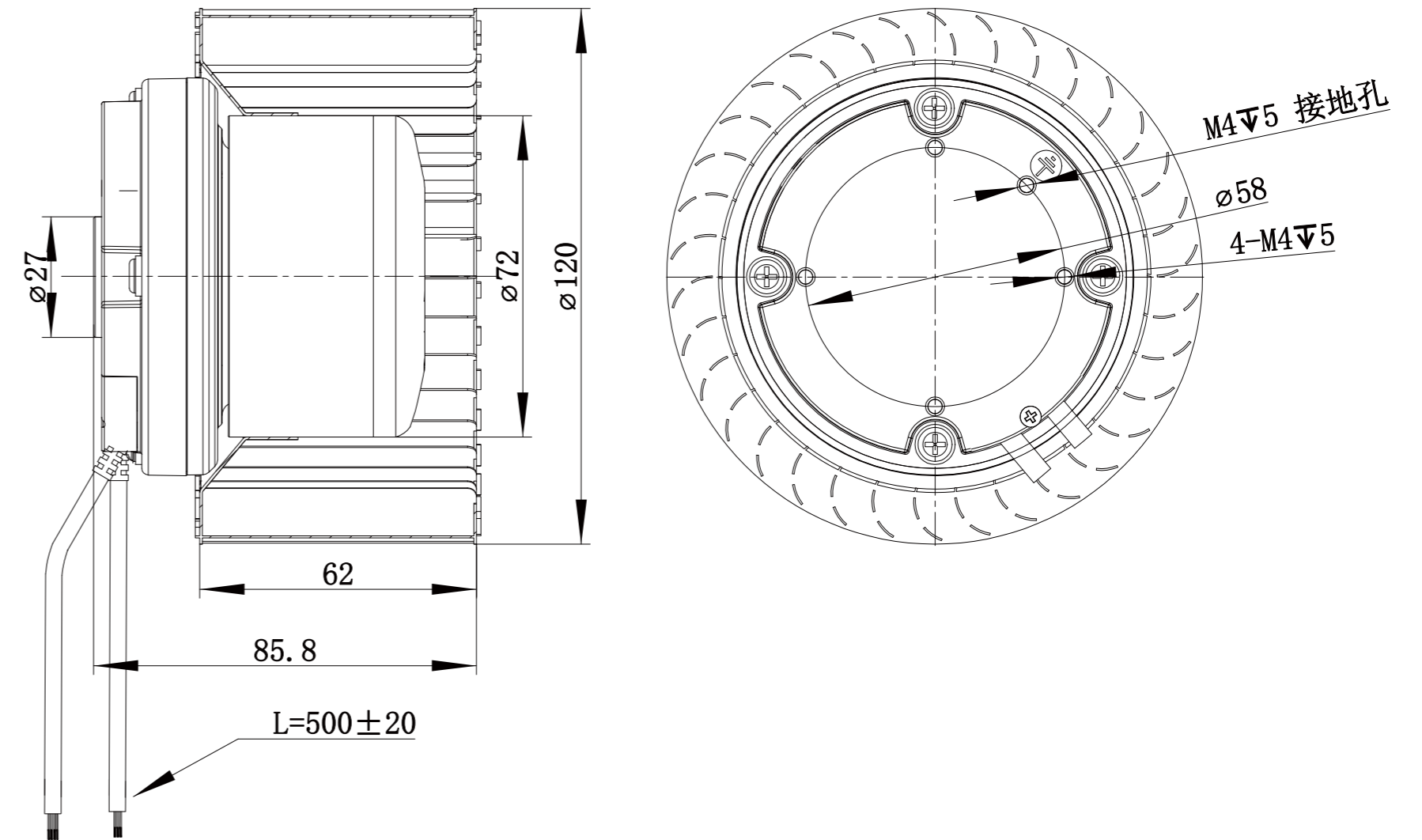


Technical Specifications

Model	Voltage (V)	Frequency (Hz)	Power (W)	Current (A)	Speed (RPM)	Air Flow (m³/h)	Air Pressure (Pa)	Noise [dB(A)]	Curve
LWFE3G120-072NS-01	230	50/60	90	0.67	3230	350	412	67	/



Product Drawing (mm)



LWFE-133 Series

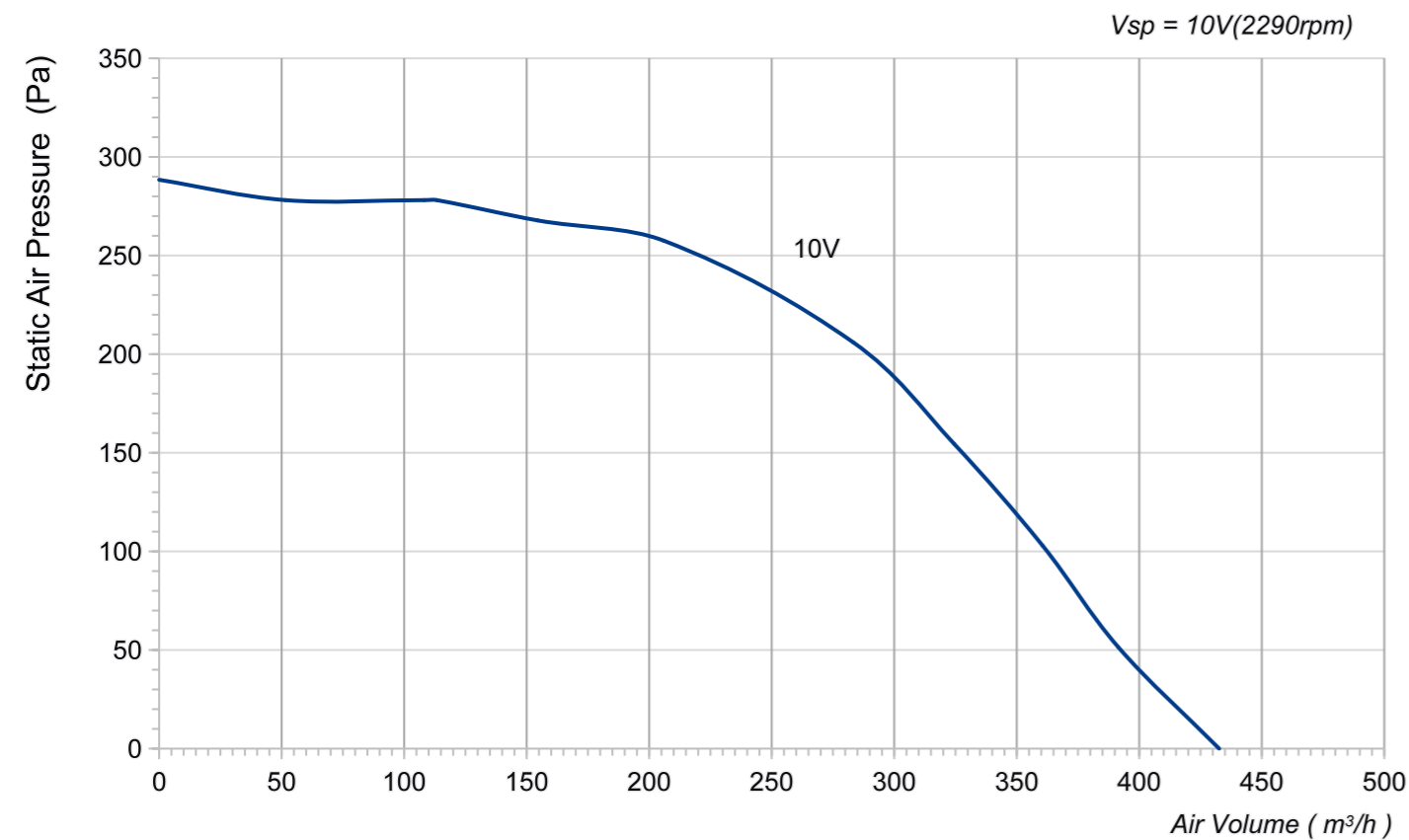
Product Characteristic

- Material : Galvanised sheet steel
- Mode of operation: S1
- Type of operation: IP55
- Insulation class: B
- Bearing: Maintenance-free ball bearings
- Operation Temperature: -30~+60 C

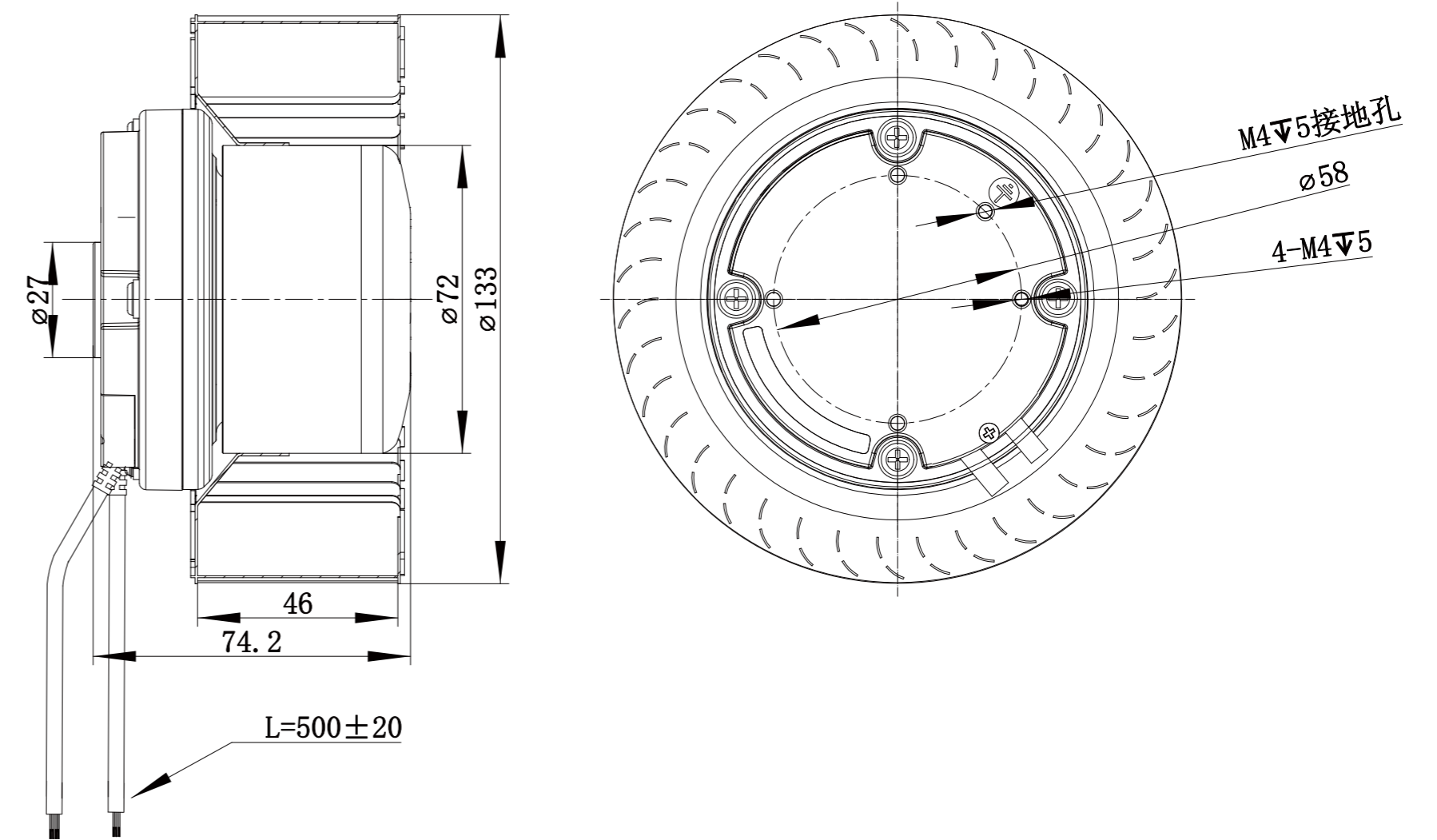


Technical Specifications

Model	Voltage (V)	Frequency (Hz)	Power (W)	Current (A)	Speed (RPM)	Air Flow (m³/h)	Air Pressure (Pa)	Noise [dB(A)]	Curve
LWFE3G133-072NS-01	230	50/60	85	0.67	2290	433	288	63	/



Product Drawing (mm)



LWFE-140 Series

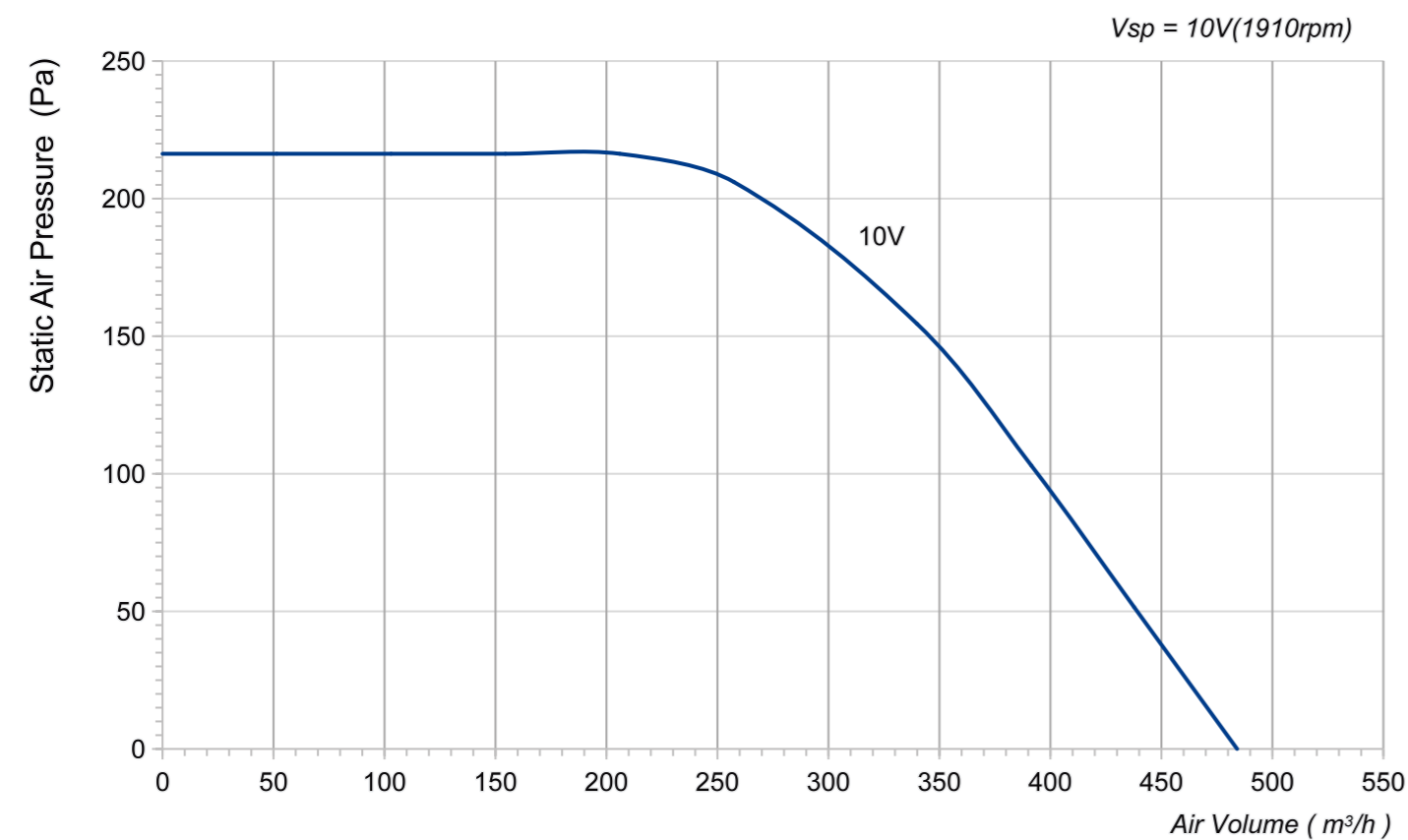
Product Characteristic

- Material : Galvanised sheet steel
- Mode of operation: S1
- Type of operation: IP55
- Insulation class: B
- Bearing: Maintenance-free ball bearings
- Operation Temperature: -30~+60 C

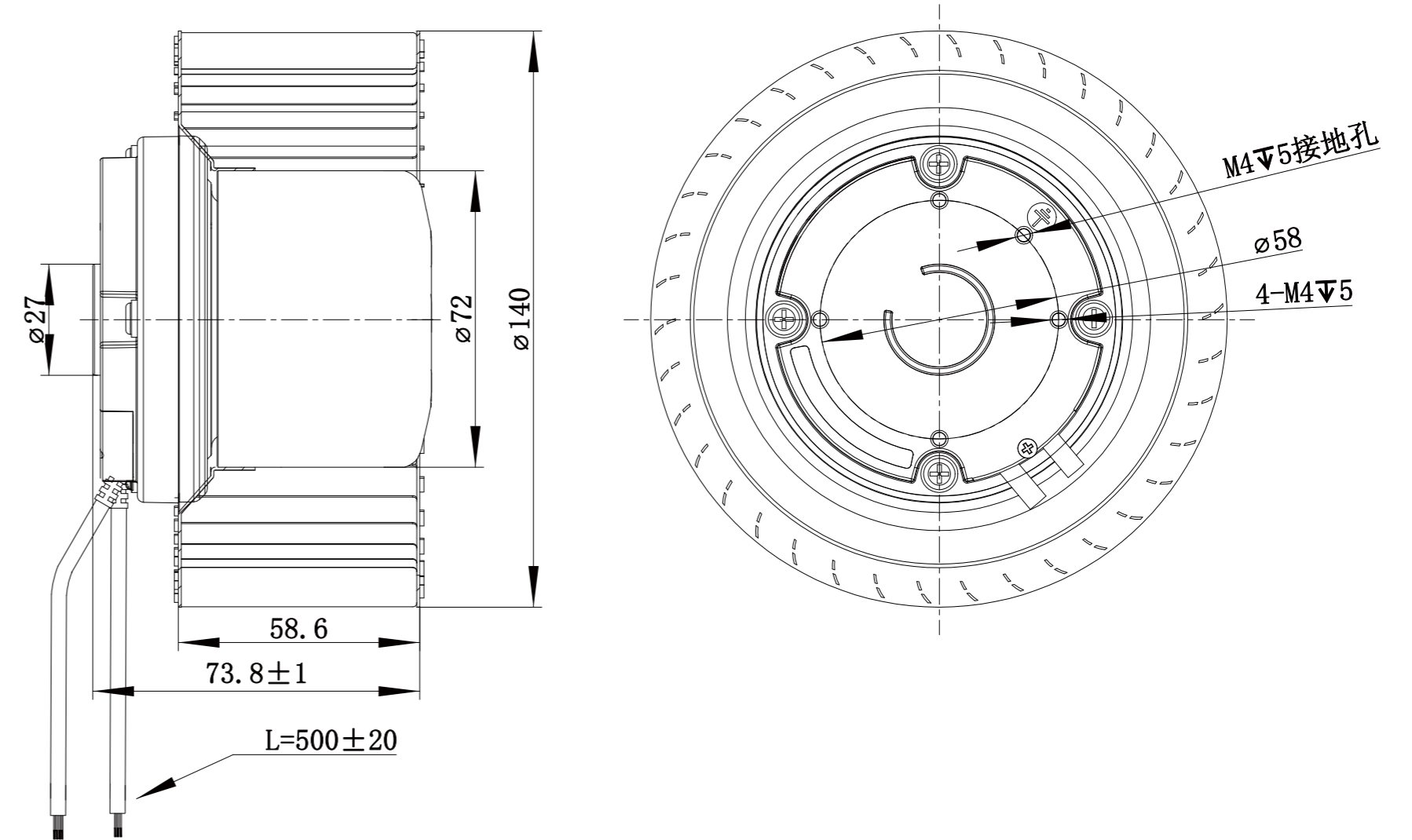


Technical Specifications

Model	Voltage (V)	Frequency (Hz)	Power (W)	Current (A)	Speed (RPM)	Air Flow (m³/h)	Air Pressure (Pa)	Noise [dB(A)]	Curve
LWFE3G140-072NS-01	230	50/60	70	0.58	1910	484	216	72	/



Product Drawing (mm)



LWFE-140 Series

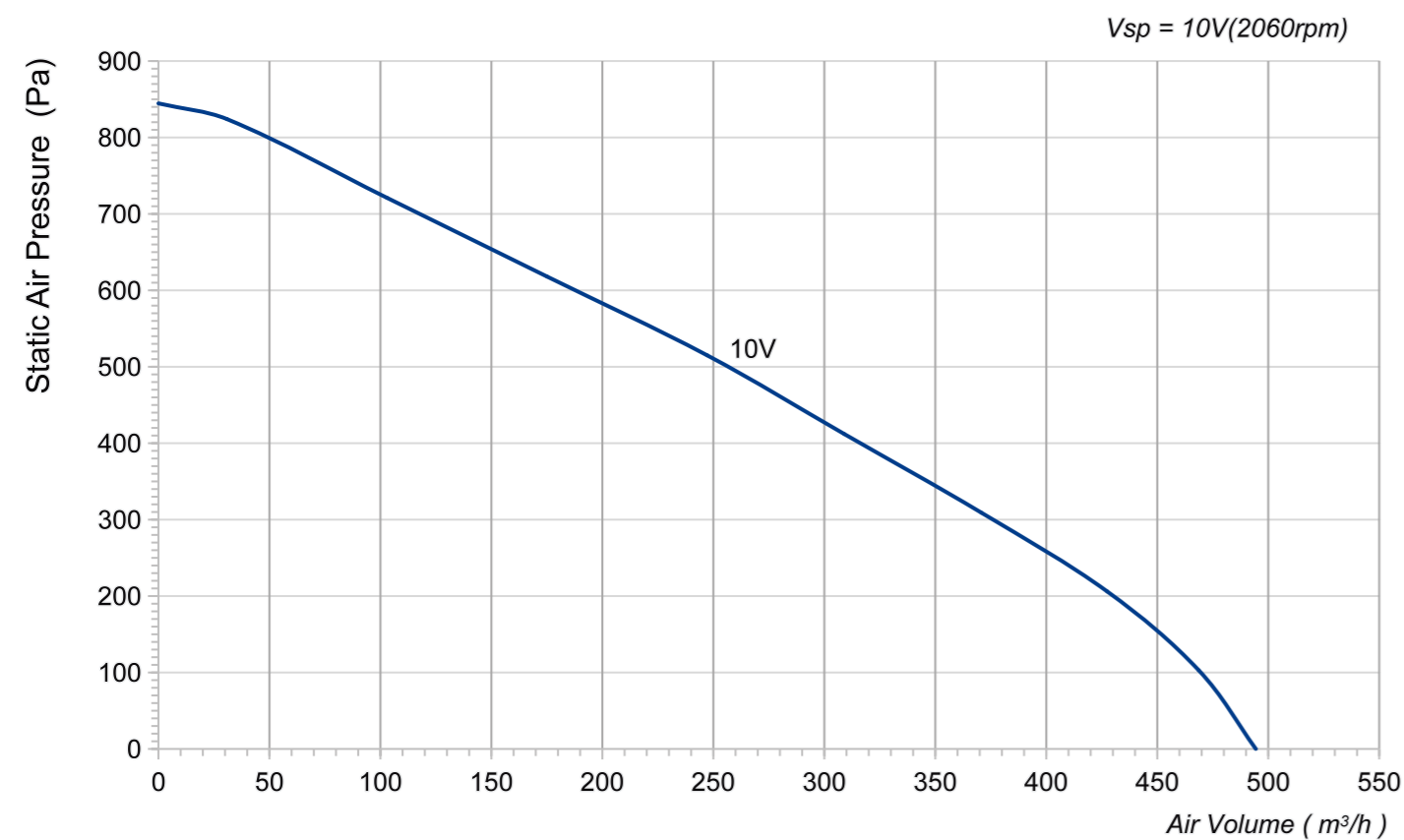
Product Characteristic

- Material : Galvanised sheet steel
- Mode of operation: S1
- Type of operation: IP55
- Insulation class: B
- Bearing: Maintenance-free ball bearings
- Operation Temperature: -30~+60 C

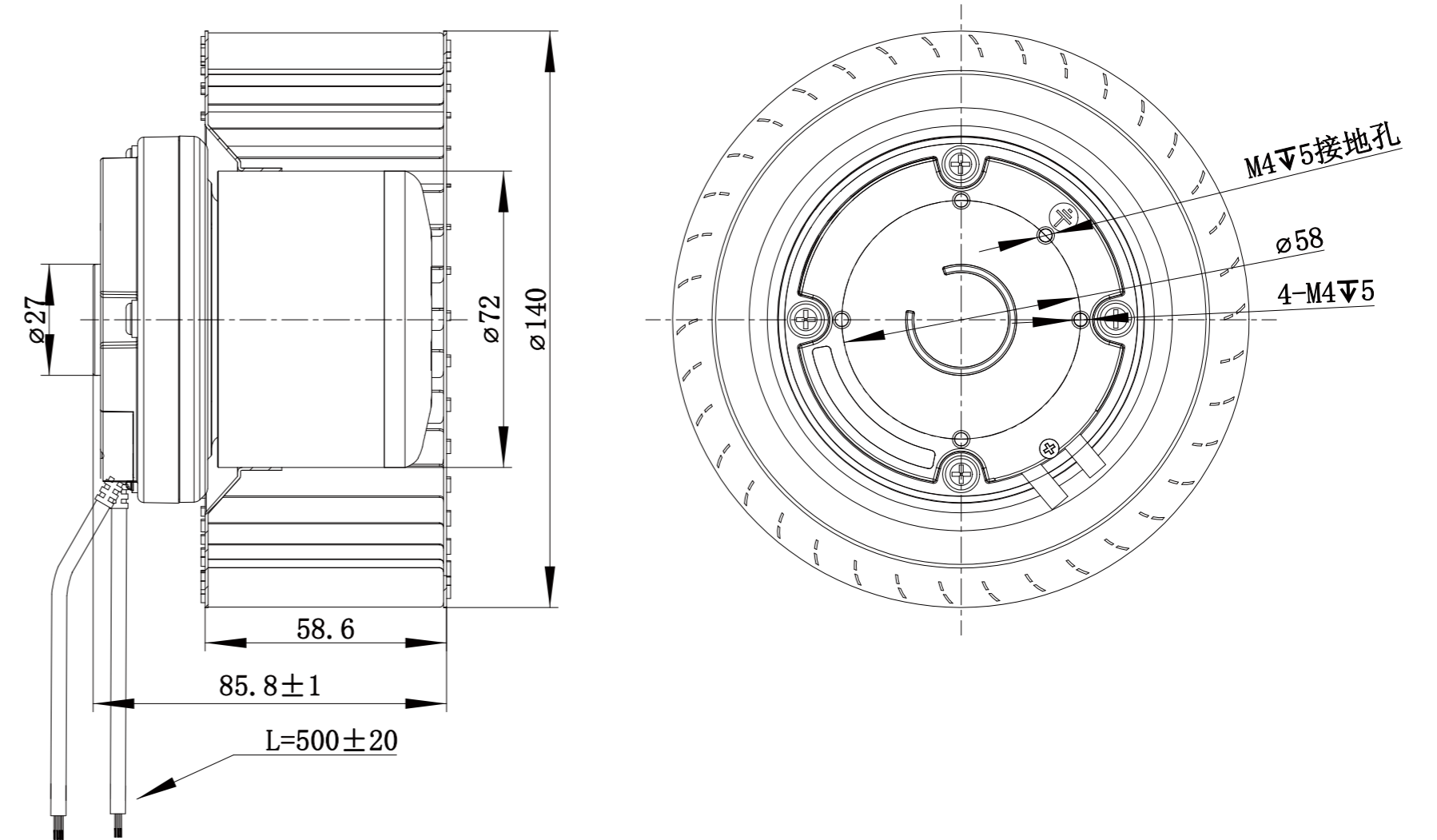


Technical Specifications

Model	Voltage (V)	Frequency (Hz)	Power (W)	Current (A)	Speed (RPM)	Air Flow (m³/h)	Air Pressure (Pa)	Noise [dB(A)]	Curve
LWFE3G140-072NS-02	230	50/60	115	0.85	2060	494	845	74	/



Product Drawing (mm)



LWFE-160 Series

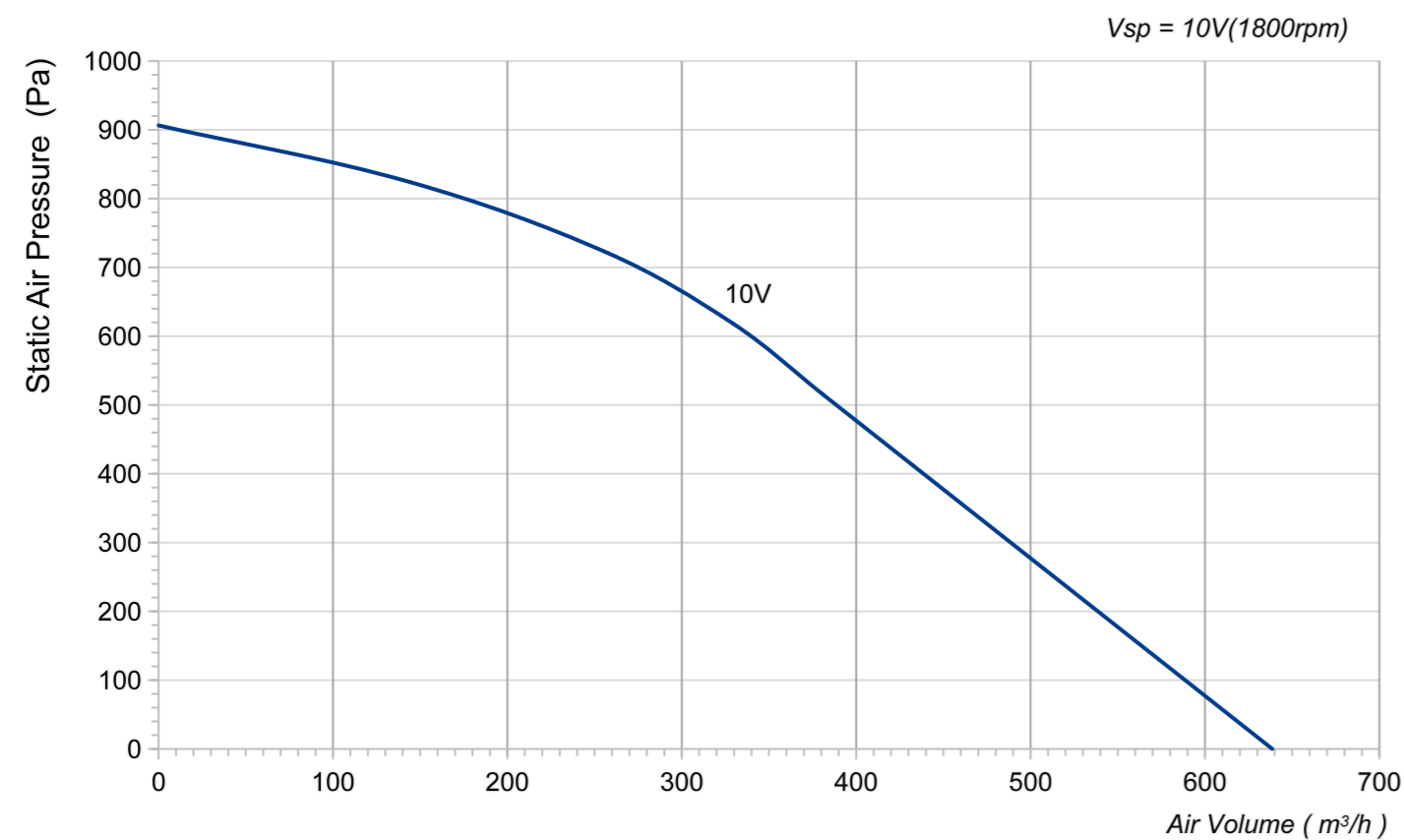
Product Characteristic

- Material : Galvanised sheet steel
- Mode of operation: S1
- Type of operation: IP55
- Insulation class: B
- Bearing: Maintenance-free ball bearings
- Operation Temperature: -30~+60 C

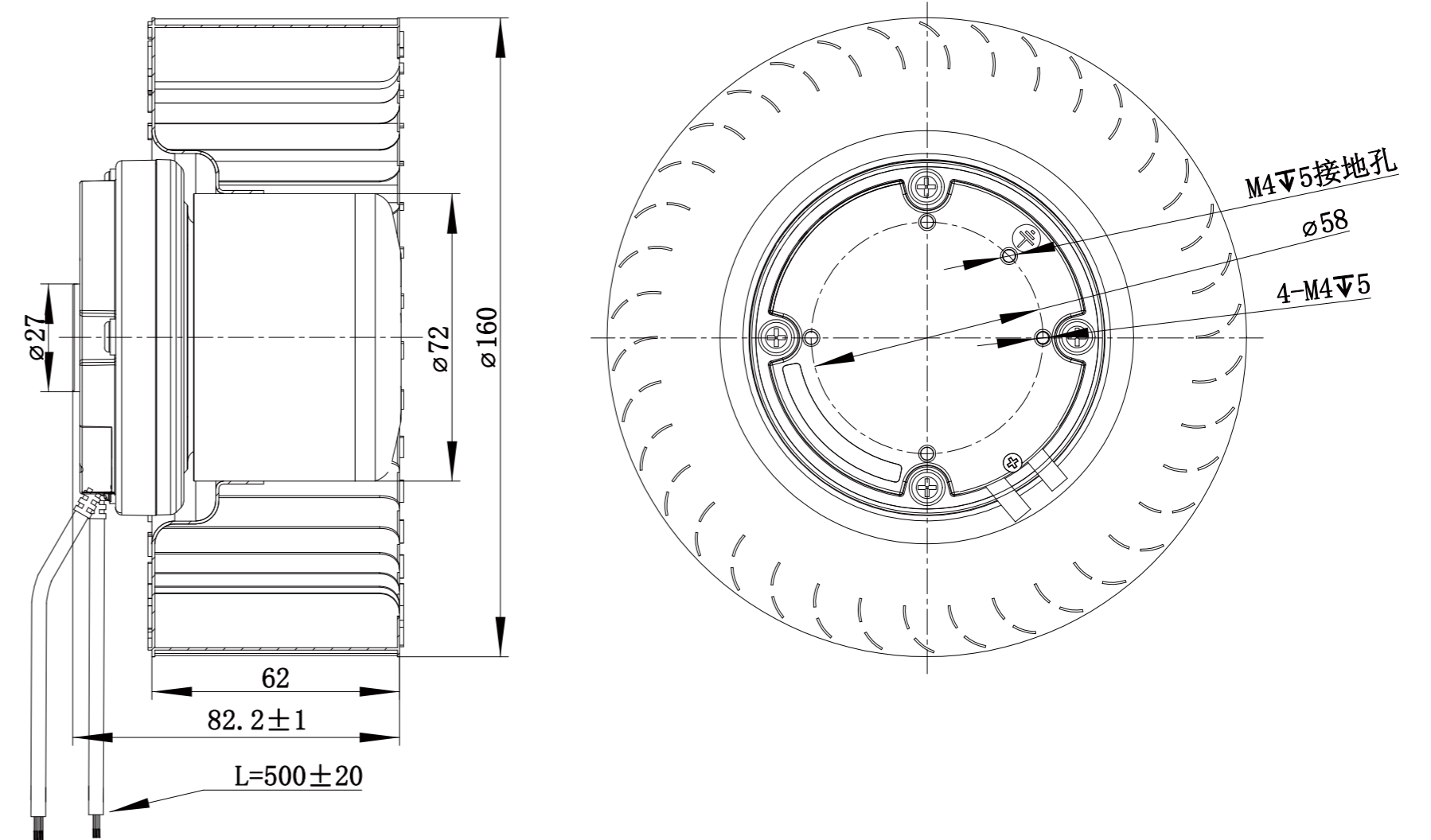


Technical Specifications

Model	Voltage (V)	Frequency (Hz)	Power (W)	Current (A)	Speed (RPM)	Air Flow (m³/h)	Air Pressure (Pa)	Noise [dB(A)]	Curve
LWFE3G160-072NS-01	230	50/60	115	0.85	1800	639	906	64	/



Product Drawing (mm)



LWFE-160 Series

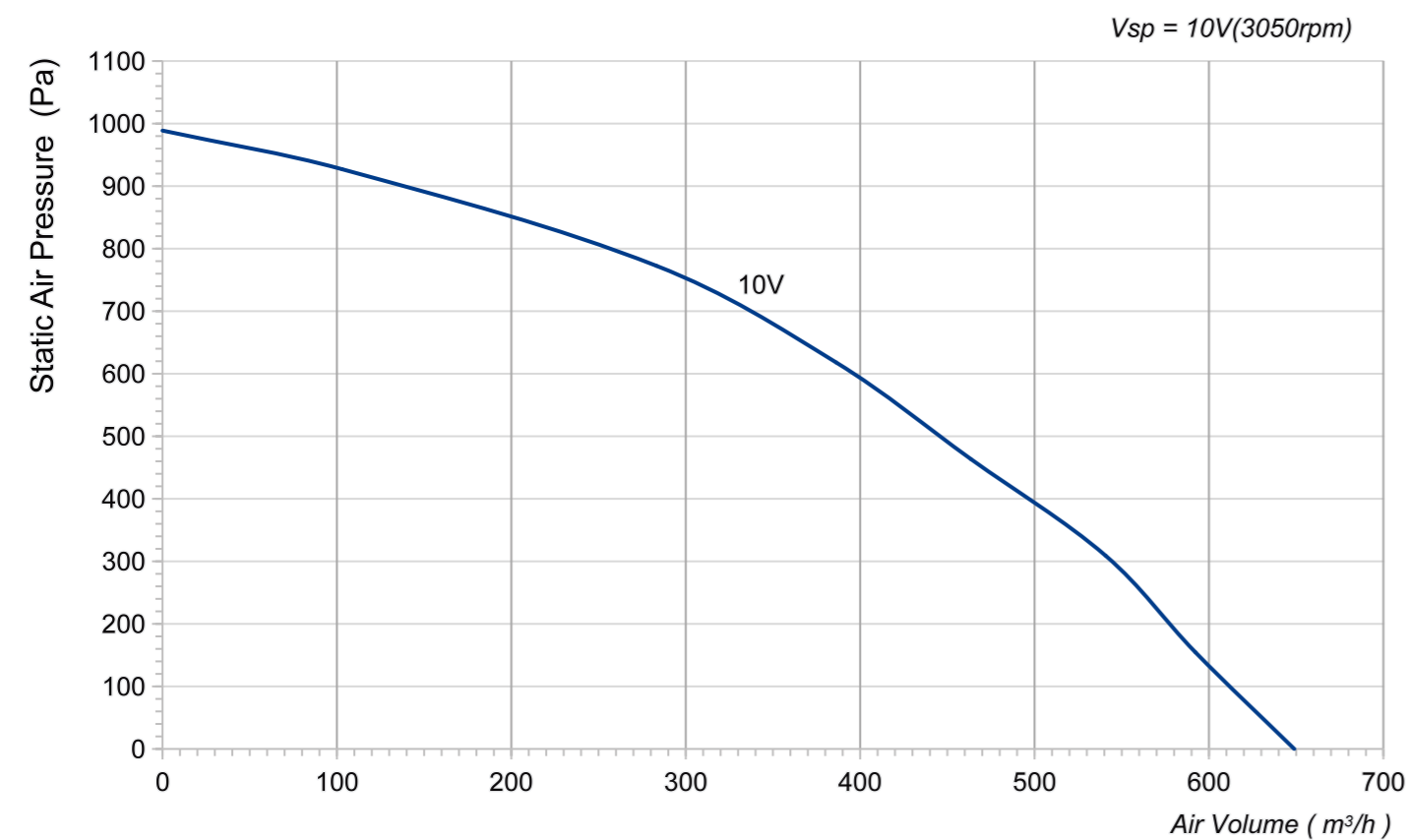
Product Characteristic

- Material : Galvanised sheet steel
- Mode of operation: S1
- Type of operation: IP55
- Insulation class: B
- Bearing: Maintenance-free ball bearings
- Operation Temperature: -30~+60 C

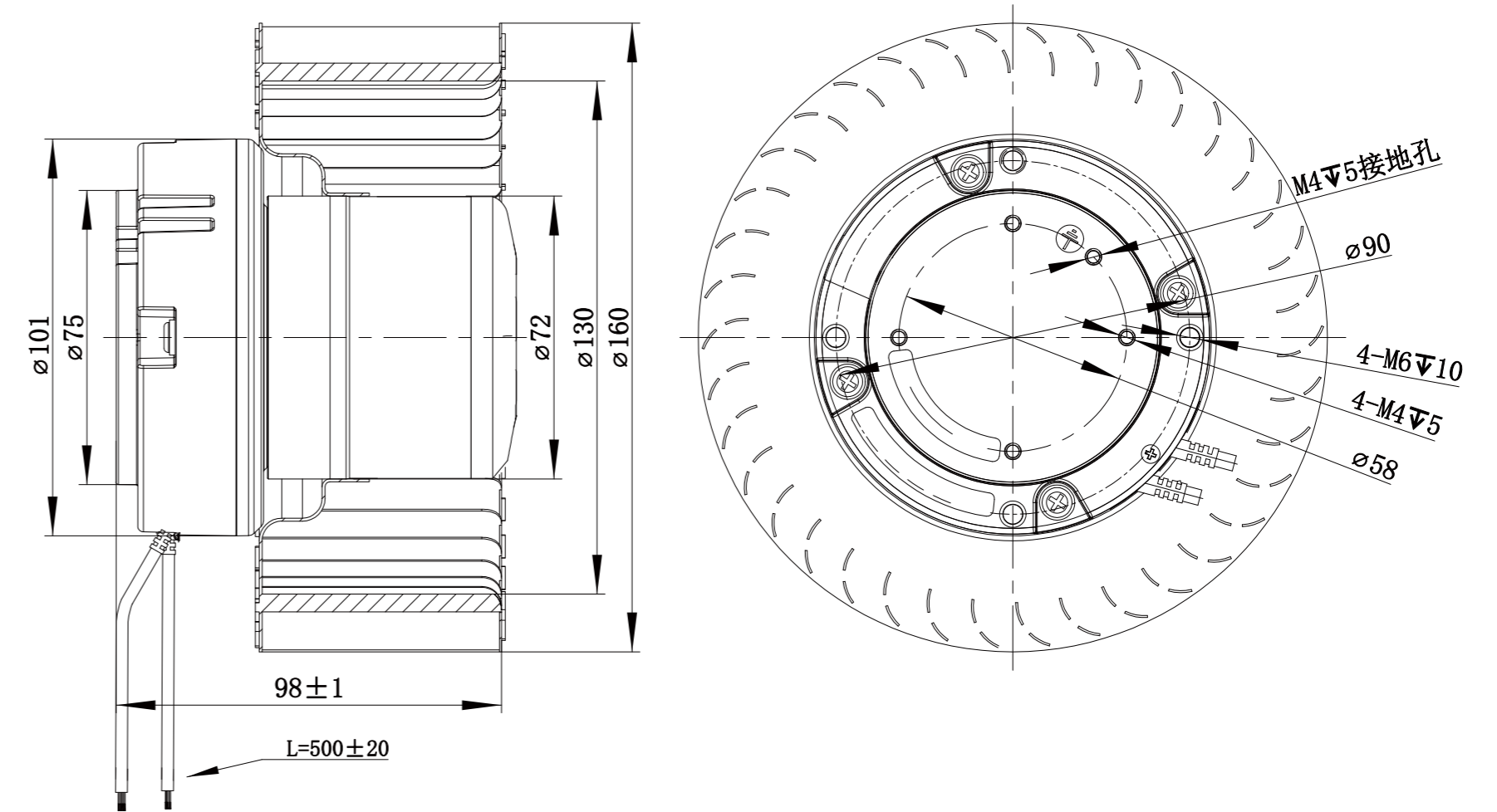


Technical Specifications

Model	Voltage (V)	Frequency (Hz)	Power (W)	Current (A)	Speed (RPM)	Air Flow (m³/h)	Air Pressure (Pa)	Noise [dB(A)]	Curve
LWFE3G160-072NS-02	230	50/60	155	1.1	3050	649	989	68	/



Product Drawing (mm)



LWFE-160 Series

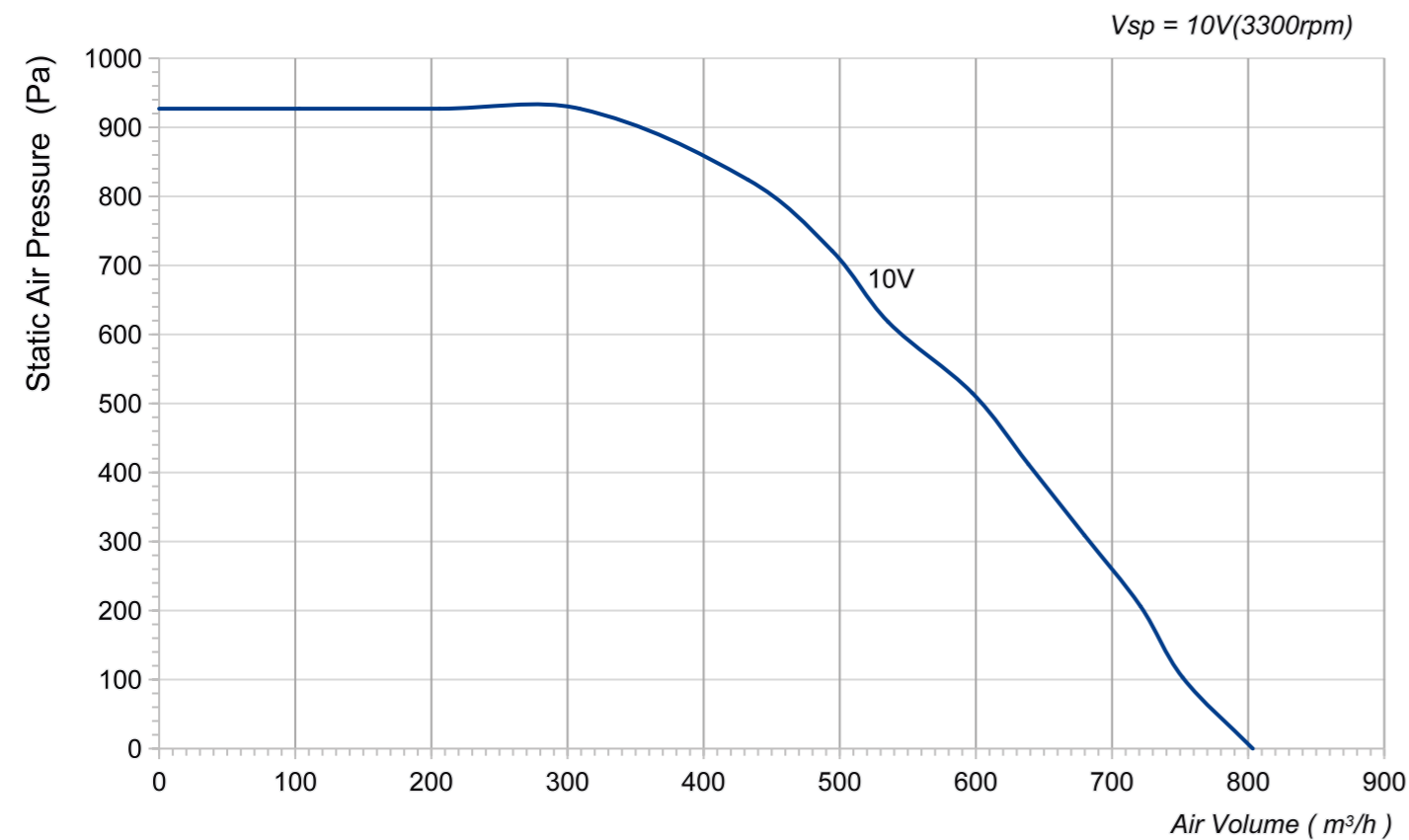
Product Characteristic

- Material : Galvanised sheet steel
- Mode of operation: S1
- Type of operation: IP55
- Insulation class: B
- Bearing: Maintenance-free ball bearings
- Operation Temperature: -30~+60 C



Technical Specifications

Model	Voltage (V)	Frequency (Hz)	Power (W)	Current (A)	Speed (RPM)	Air Flow (m³/h)	Air Pressure (Pa)	Noise [dB(A)]	Curve
LWFE3G160-092NS-03	230	50/60	230	1.65	3300	803	927	75	/



Product Drawing (mm)

