



**Professional HVAC Fan  
& Motors Manufacturer**

—— Forward curved Centrifugal Fan



Website

**Ningbo Longwell Electric Technology Co.,Ltd**

TEL:+86 (574) 6218 9863

Whatsapp:+0086 18358274663

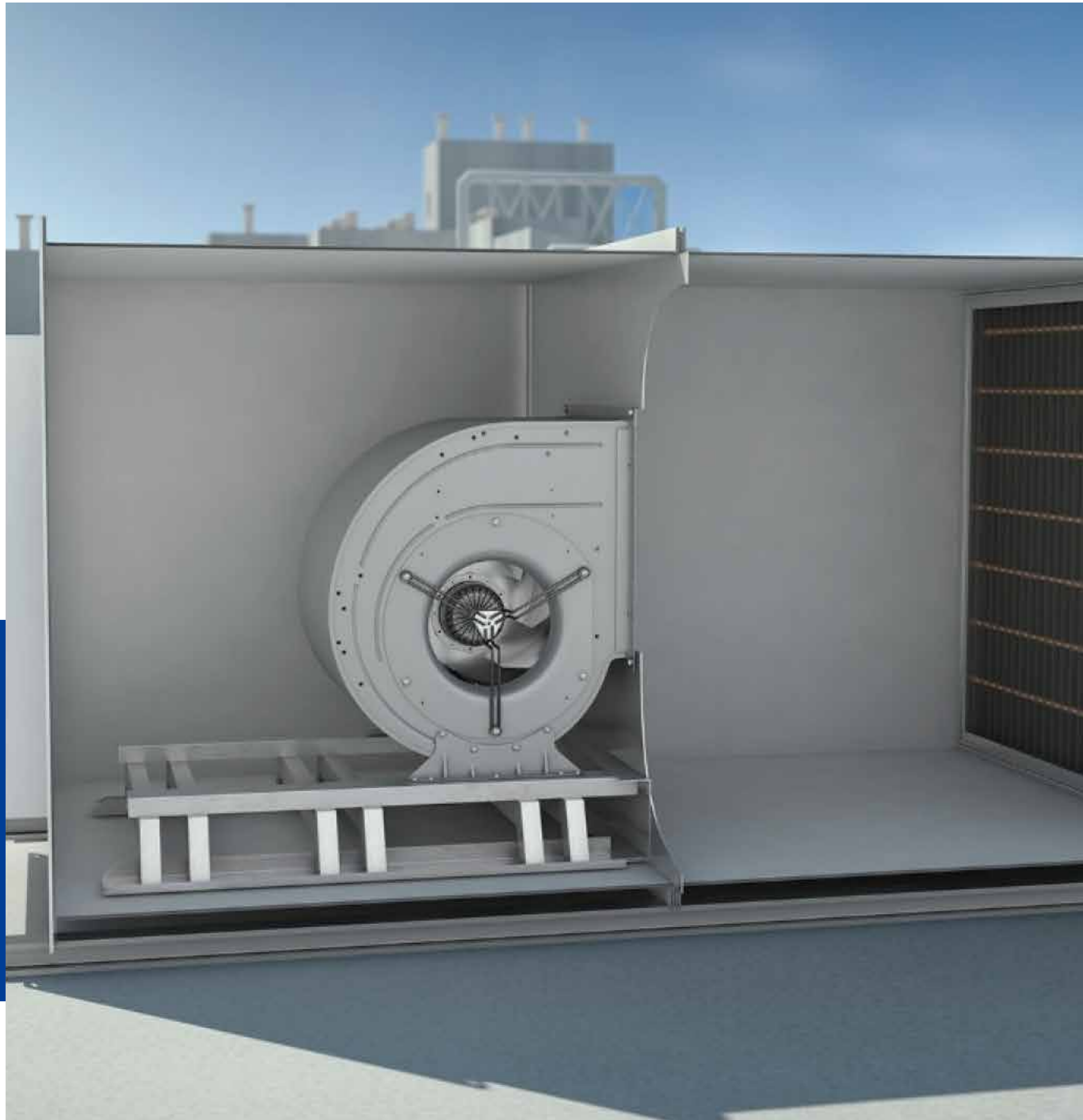
Fax:+86 18358274663

E-mail:sales@zjlongwell.com

Web:<https://www.longwellfans.com/>

Address:#NO.100 ,South of Xuxiang River ,Ditang District, Yuyao,Ningbo  
Zhejiang Province,China 315400

**Ningbo Longwell Electric Technology CO, LTD**



## CATALOGUE

|         |  |
|---------|--|
| 01      | Type Code                                  |
| 02-36   | AC Forward Centrifugal Fan                 |
| 37-76   | AC Single Inlet Forward Centrifugal Blower |
| 77-94   | EC Forward Centrifugal Fan                 |
| 95-138  | EC Single Inlet Forward Centrifugal Blower |
| 139-180 | DC Single Inlet Forward Centrifugal Blower |
| 181-222 | AC Dual Inlet Forward Centrifugal Blower   |
| 223-258 | EC Dual Inlet Forward Centrifugal Blower   |
| 259-292 | DC Dual Inlet Forward Centrifugal Blower   |

# Type Code

LW F A 2E 108 - 072 N S - 01

Series number

T-380VAC S-230VAC U-115V  
 L-12VDC M-24VDC  
 H-48VDC Z-310VDC

N-Without housing/bracket  
 S-Single inlet with housing  
 D-Dual-inlet with housing  
 P-with bracket

Diameter of Rotor:72/92/102/138/188/218

Diameter of Impeller

2E-2pole 4E-4pole 6E-6 pole 6D-6pole  
 8D-8pole 3G-3 phase 1G-Single phase

A-AC D-DC E-EC

B-Backward F-Forward D-Duct Fans

Longwell

# AC Forward Centrifugal Fan

Professional HVAC Fan & Motors Manufacturer



# LWFA-108 Series

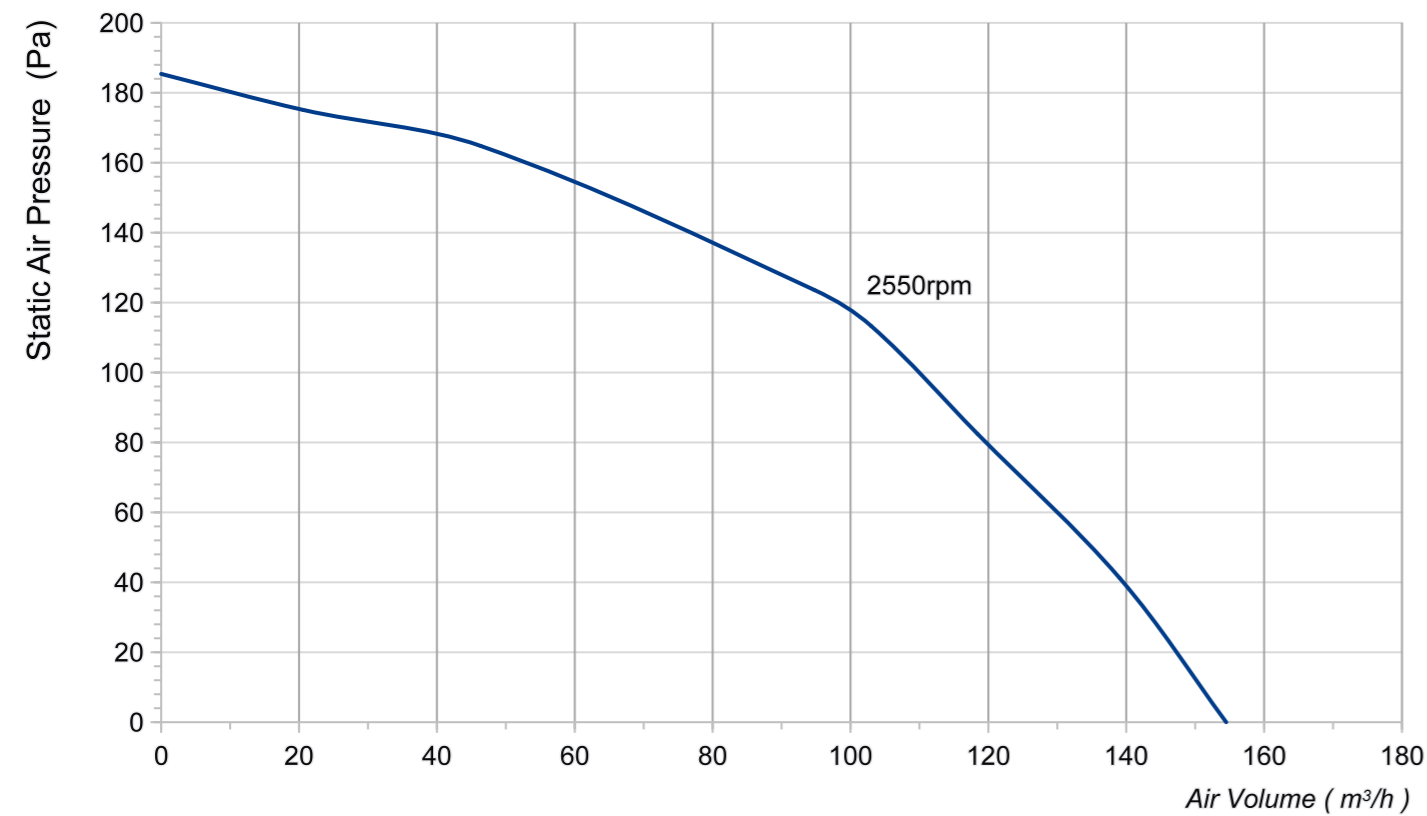
## Product Characteristic

- Material : Galvanised sheet steel
- Mode of operation: S1
- Type of operation: IP54
- Insulation class: B
- Bearing: Maintenance-free ball bearings
- Operation Temperature: -30~+60 C

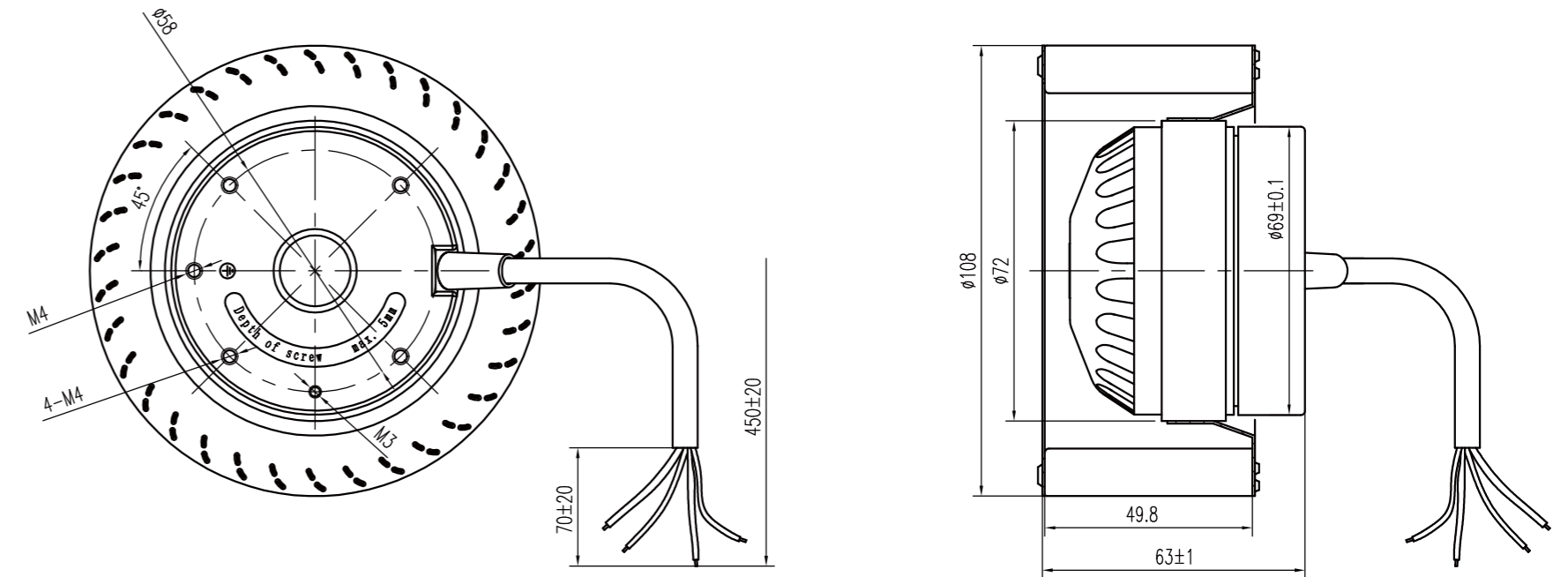


## Technical Specifications

| Model              | Voltage (V) | Frequency (Hz) | Power (W) | Current (A) | Speed (RPM) | Air Flow (m³/h) | Air Pressure (Pa) | Noise [dB(A)] | Capacitor | Curve |
|--------------------|-------------|----------------|-----------|-------------|-------------|-----------------|-------------------|---------------|-----------|-------|
| LWFA2E108-072NS-01 | 230         | 50             | 30        | /           | 2550        | 155             | 185               | 53            | 1uF       | /     |



## Product Drawing (mm)



# LWFA-120 Series

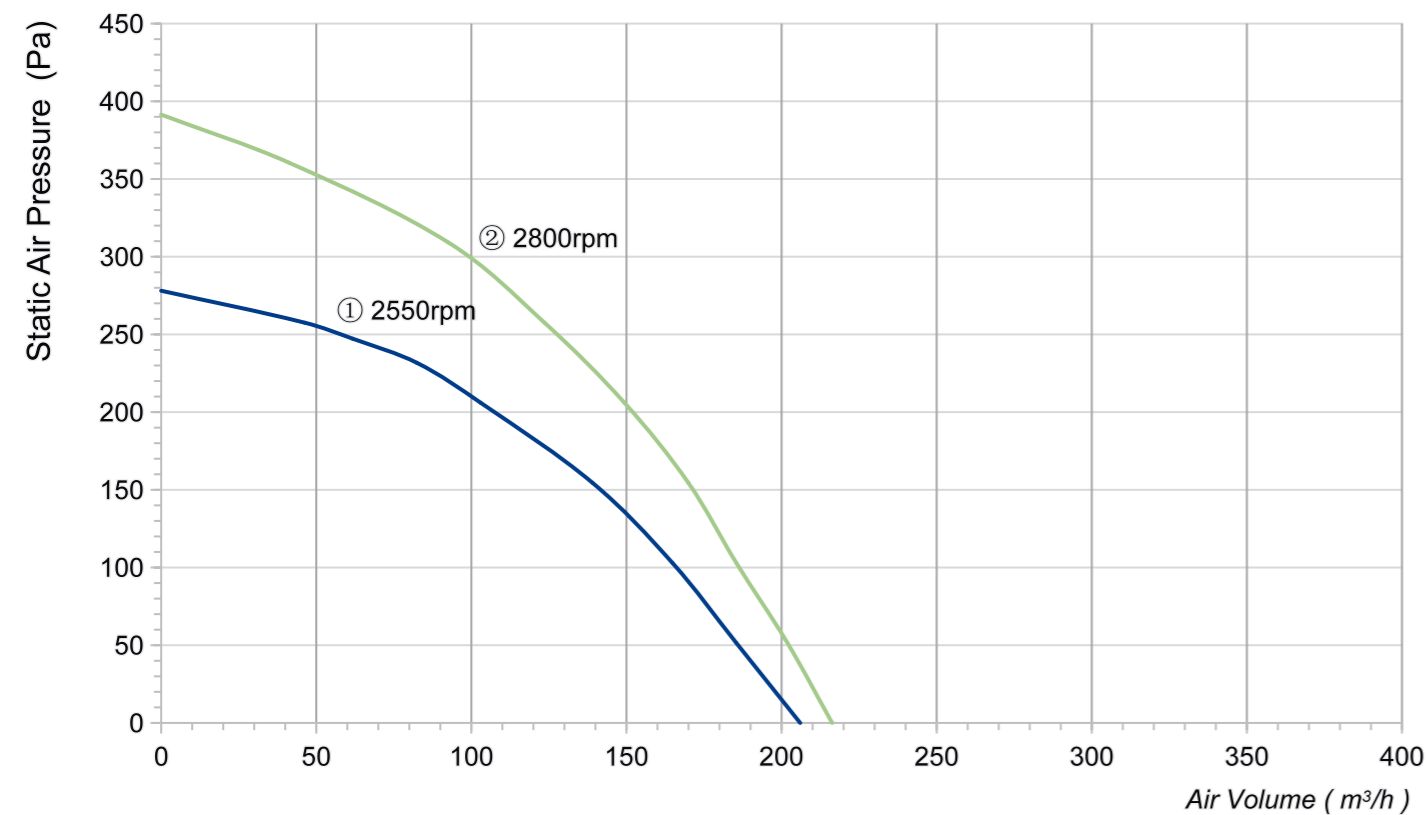
## Product Characteristic

- Material : Galvanised sheet steel
- Mode of operation: S1
- Type of operation: IP54
- Insulation class: F
- Bearing: Maintenance-free ball bearings
- Operation Temperature: -30~+60 °C

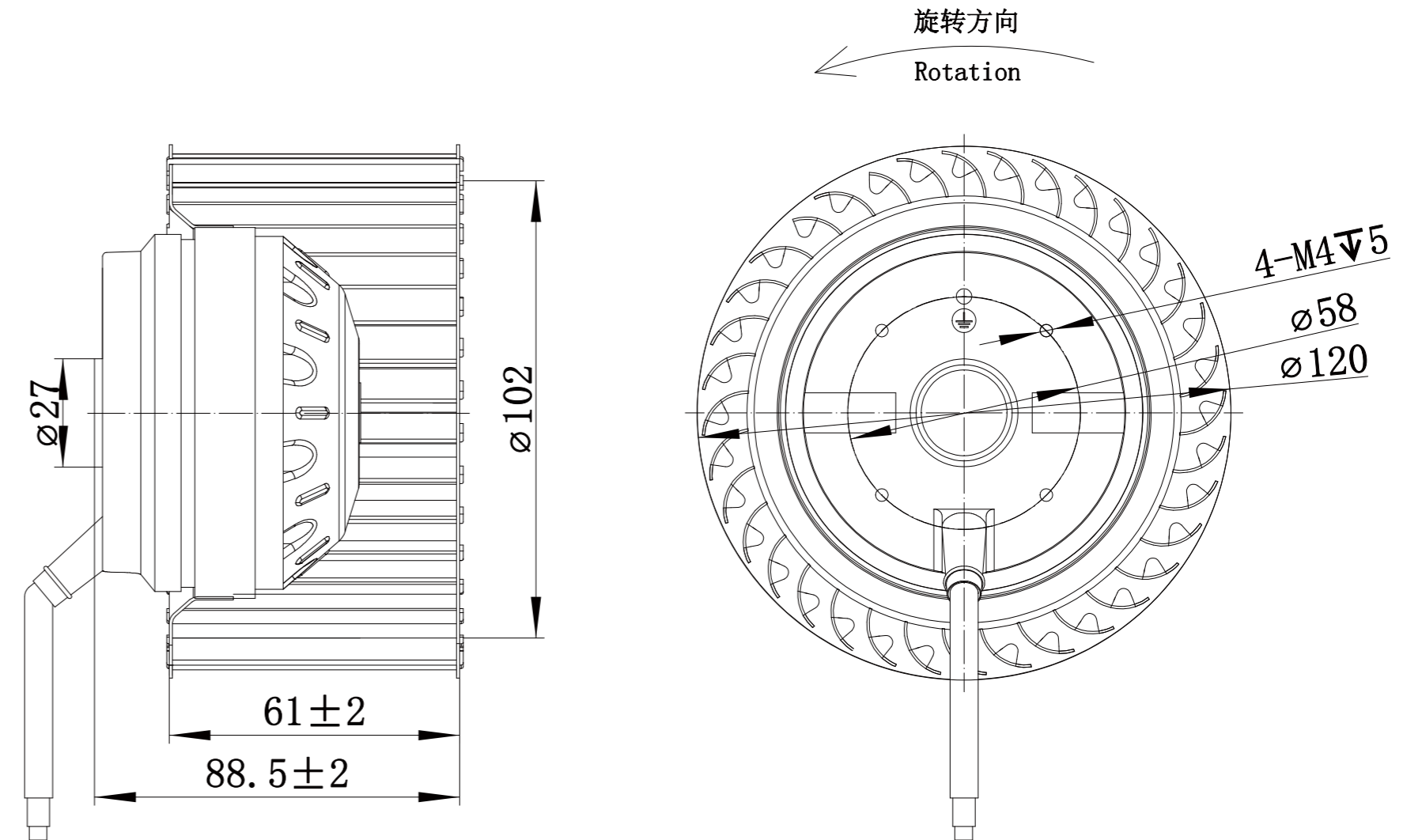


## Technical Specifications

| Model              | Voltage (V) | Frequency (Hz) | Power (W) | Current (A) | Speed (RPM) | Air Flow (m³/h) | Air Pressure (Pa) | Noise [dB(A)] | Capacitor | Curve |
|--------------------|-------------|----------------|-----------|-------------|-------------|-----------------|-------------------|---------------|-----------|-------|
| LWFA2E120-092NS-01 | 230         | 50             | 50        | 0.25        | 2550        | 206             | 278               | 51            | 1.5uF     | ①     |
| LWFA2E120-092NS-02 | 230         | 60             | 63        | 0.3         | 2800        | 216             | 391               | 53            | 1.5uF     | ②     |



## Product Drawing (mm)



# LWFA-133 Series

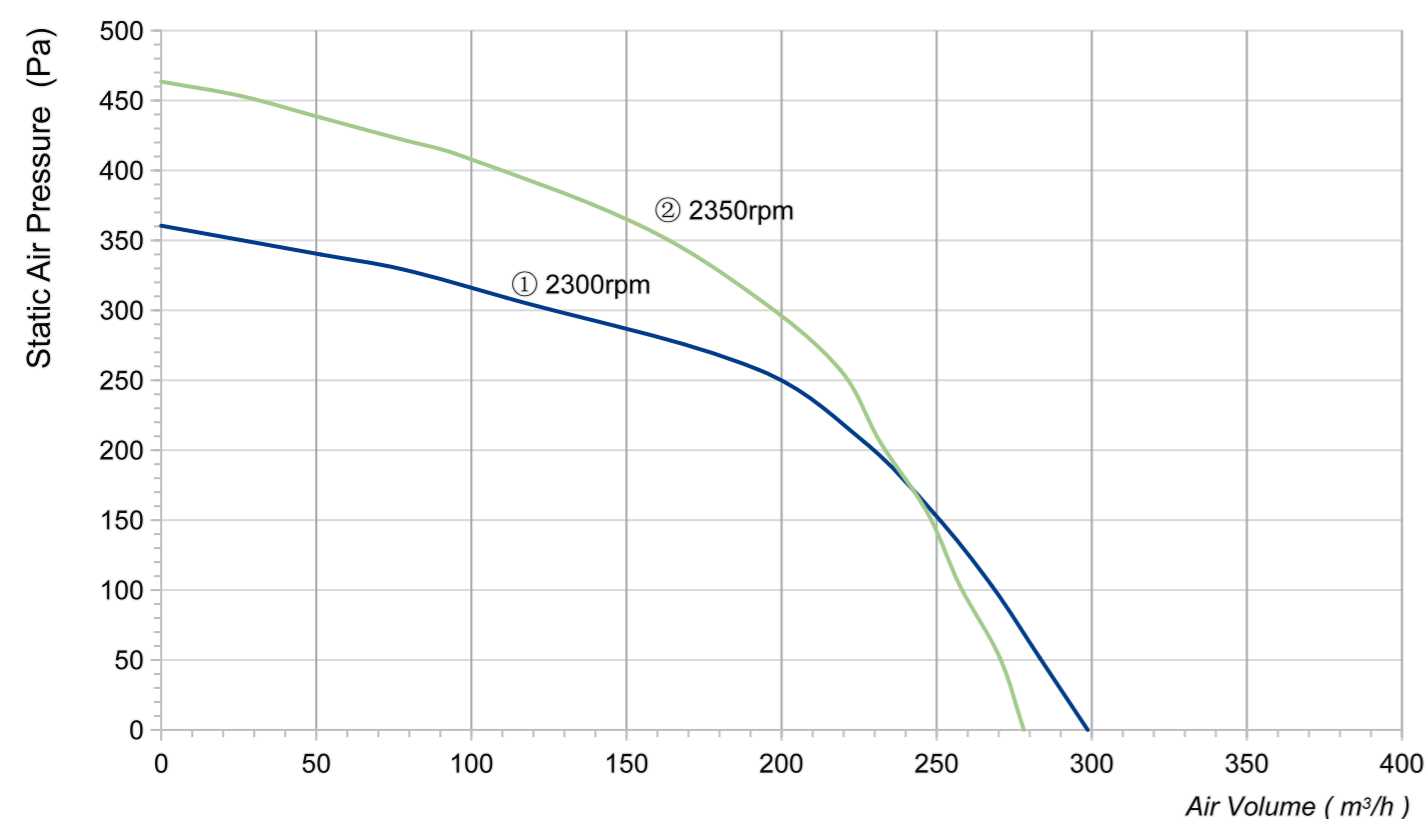
## Product Characteristic

- Material : Galvanised sheet steel
- Mode of operation: S1
- Type of operation: IP54
- Insulation class: F
- Bearing: Maintenance-free ball bearings
- Operation Temperature: -30~+60 C

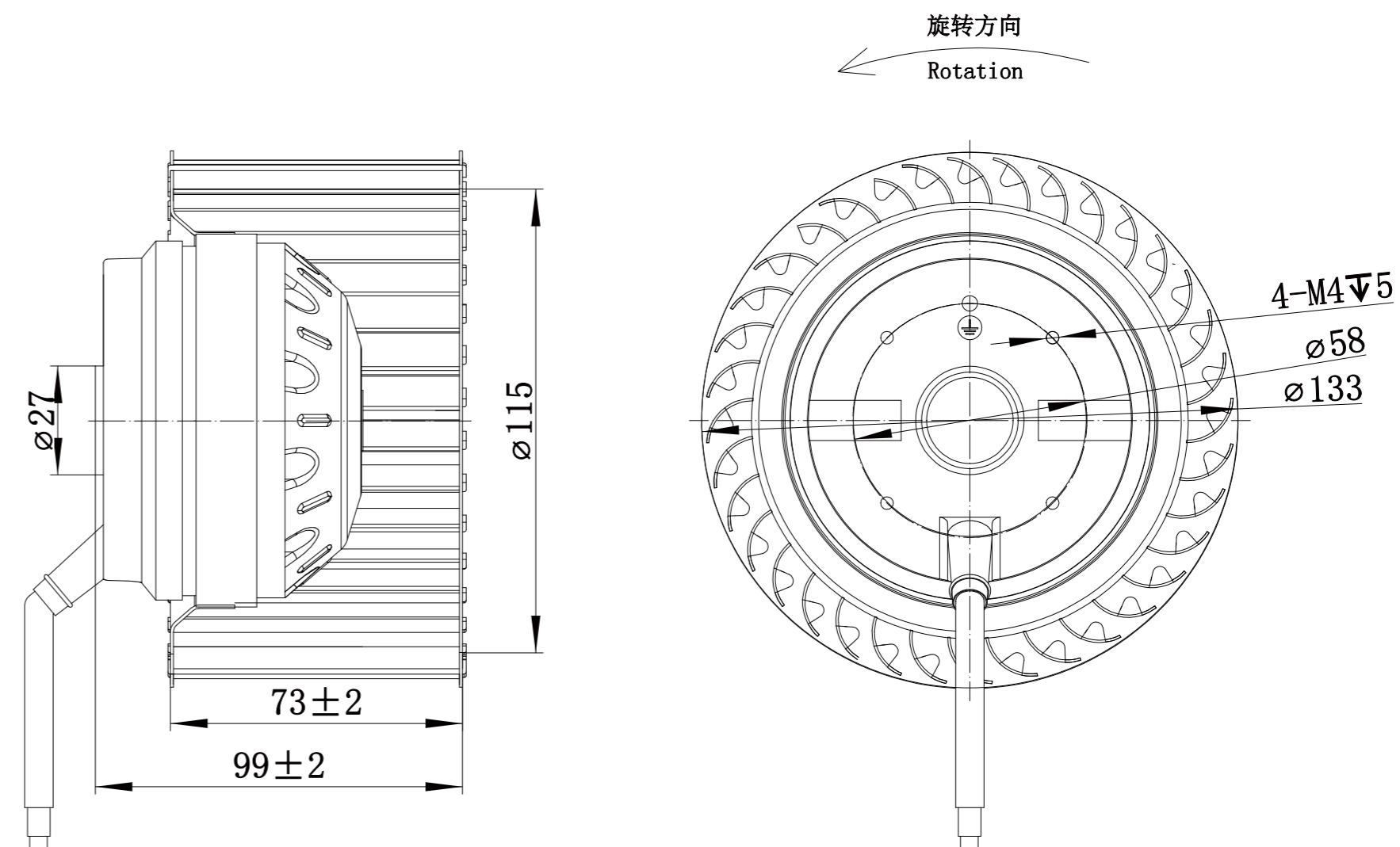


## Technical Specifications

| Model              | Voltage (V) | Frequency (Hz) | Power (W) | Current (A) | Speed (RPM) | Air Flow (m³/h) | Air Pressure (Pa) | Noise [dB(A)] | Capacitor | Curve |
|--------------------|-------------|----------------|-----------|-------------|-------------|-----------------|-------------------|---------------|-----------|-------|
| LWFA2E133-092NS-01 | 230         | 50             | 83        | 0.32        | 2300        | 299             | 361               | 61            | 2uF       | ①     |
| LWFA2E133-092NS-02 | 230         | 60             | 95        | 0.4         | 2350        | 278             | 464               | 63            | 2uF       | ②     |



## Product Drawing (mm)



# LWFA-140 Series

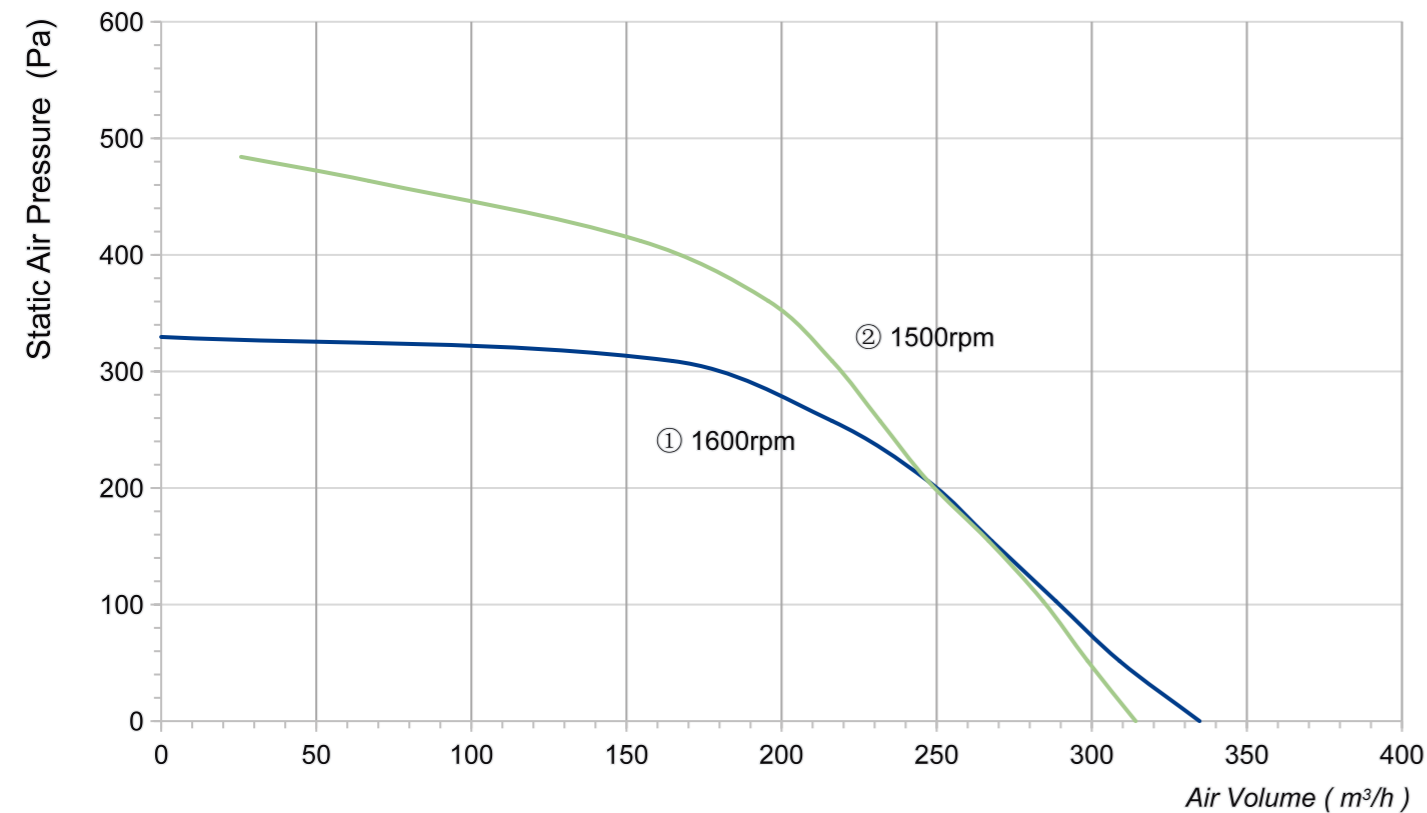
## Product Characteristic

- Material : Galvanised sheet steel
- Mode of operation: S1
- Type of operation: IP54
- Insulation class: F
- Bearing: Maintenance-free ball bearings
- Operation Temperature: -30~+60 C

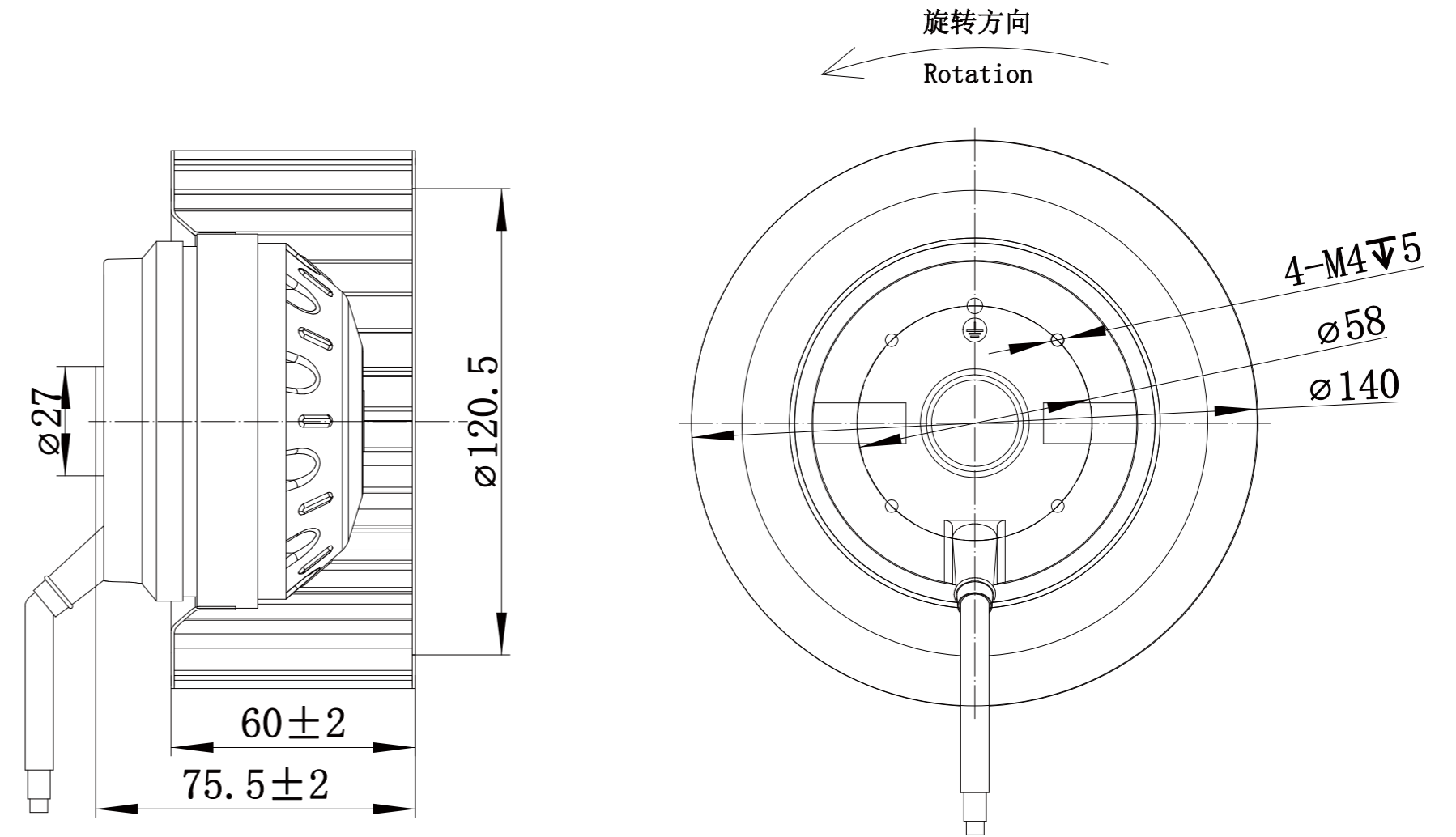


## Technical Specifications

| Model              | Voltage (V) | Frequency (Hz) | Power (W) | Current (A) | Speed (RPM) | Air Flow (m³/h) | Air Pressure (Pa) | Noise [dB(A)] | Capacitor | Curve |
|--------------------|-------------|----------------|-----------|-------------|-------------|-----------------|-------------------|---------------|-----------|-------|
| LWFA2E140-092NS-01 | 230         | 50             | 100       | 0.42        | 1600        | 335             | 330               | 52            | 2uF       | ①     |
| LWFA2E140-092NS-02 | 230         | 60             | 110       | 0.47        | 1500        | 314             | 484               | 58            | 2uF       | ②     |



## Product Drawing (mm)



# LWFA-140 Series

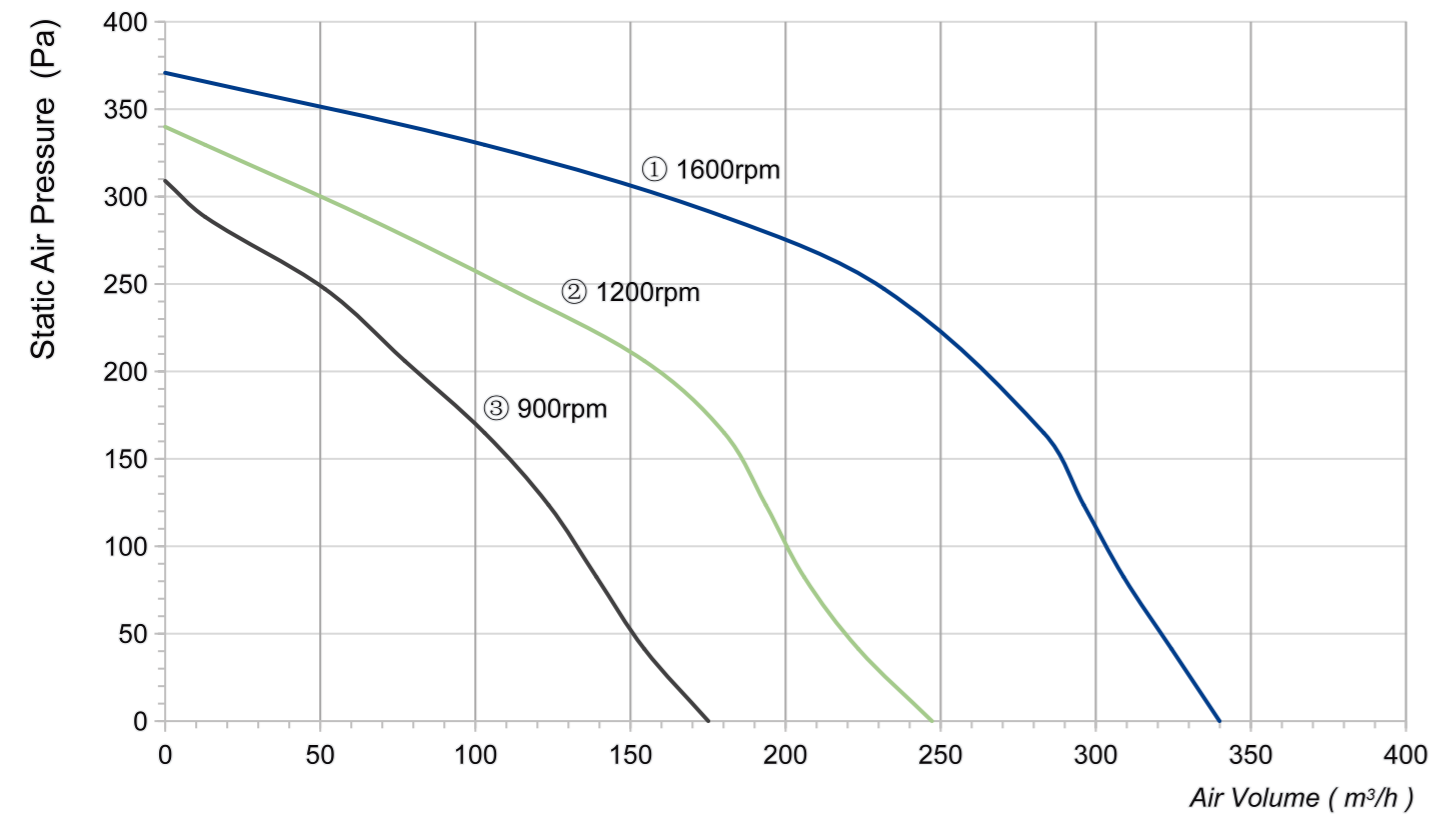
## Product Characteristic

- Material : Galvanised sheet steel
- Mode of operation: S1
- Type of operation: IP54
- Insulation class: F
- Bearing: Maintenance-free ball bearings
- Operation Temperature: -30~+60 C

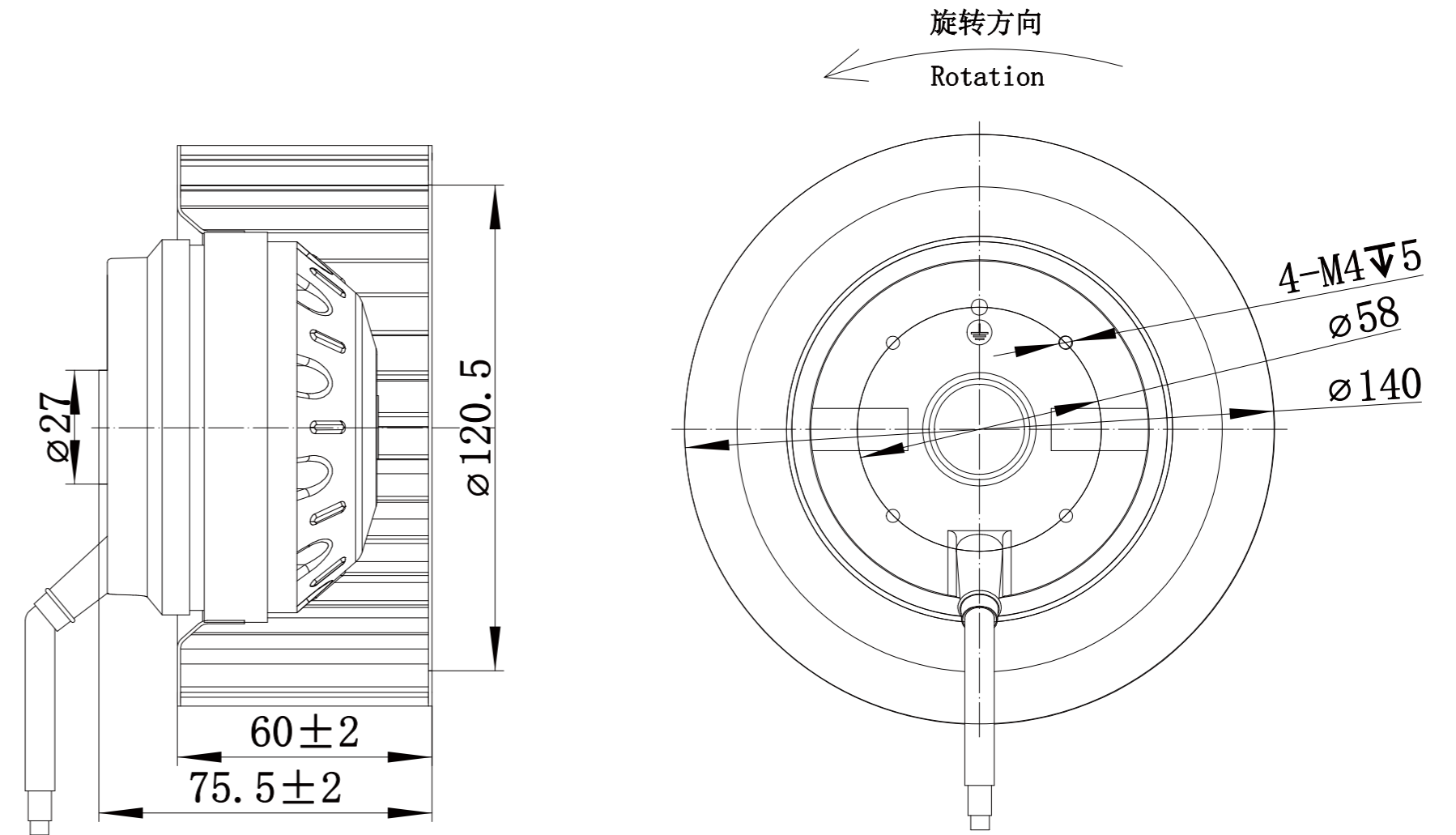


## Technical Specifications

| Model              | Voltage (V) | Frequency (Hz) | Power (W) | Current (A) | Speed (RPM) | Air Flow (m³/h) | Air Pressure (Pa) | Noise [dB(A)] | Capacitor | Curve |
|--------------------|-------------|----------------|-----------|-------------|-------------|-----------------|-------------------|---------------|-----------|-------|
|                    |             |                | 100       | 0.42        | 1600        | 340             | 371               | 52            | 2uF       | ①     |
| LWFA2E140-092NS-03 | 230         | 50             | 65        | 0.3         | 1200        | 247             | 340               | 40            | 2uF       | ②     |
|                    |             |                | 40        | 0.2         | 900         | 175             | 309               | 32            | 2uF       | ③     |



## Product Drawing (mm)



# LWFA-150 Series

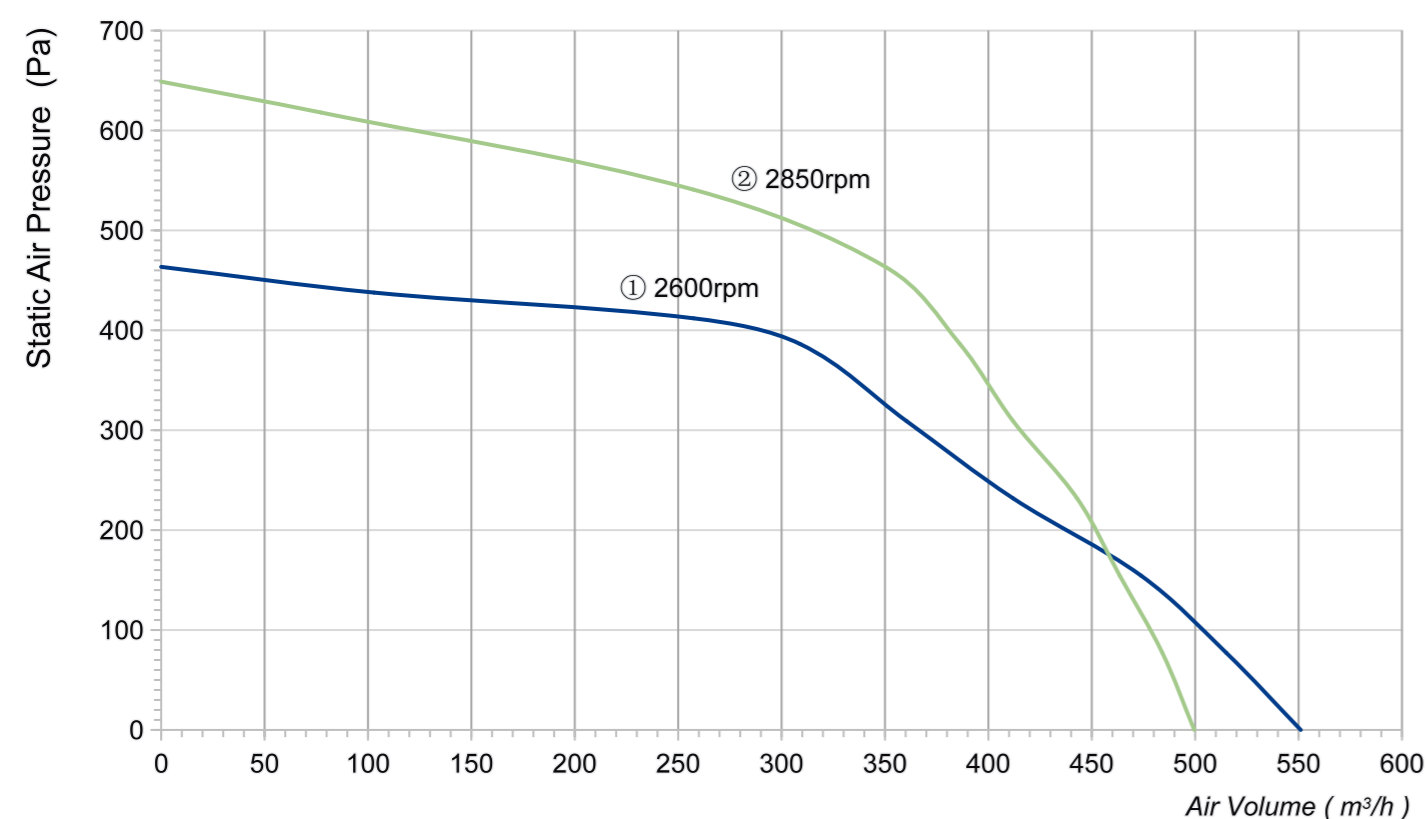
## Product Characteristic

- Material : Galvanised sheet steel
- Mode of operation: S1
- Type of operation: IP54
- Insulation class: F
- Bearing: Maintenance-free ball bearings
- Operation Temperature: -30~+60 C

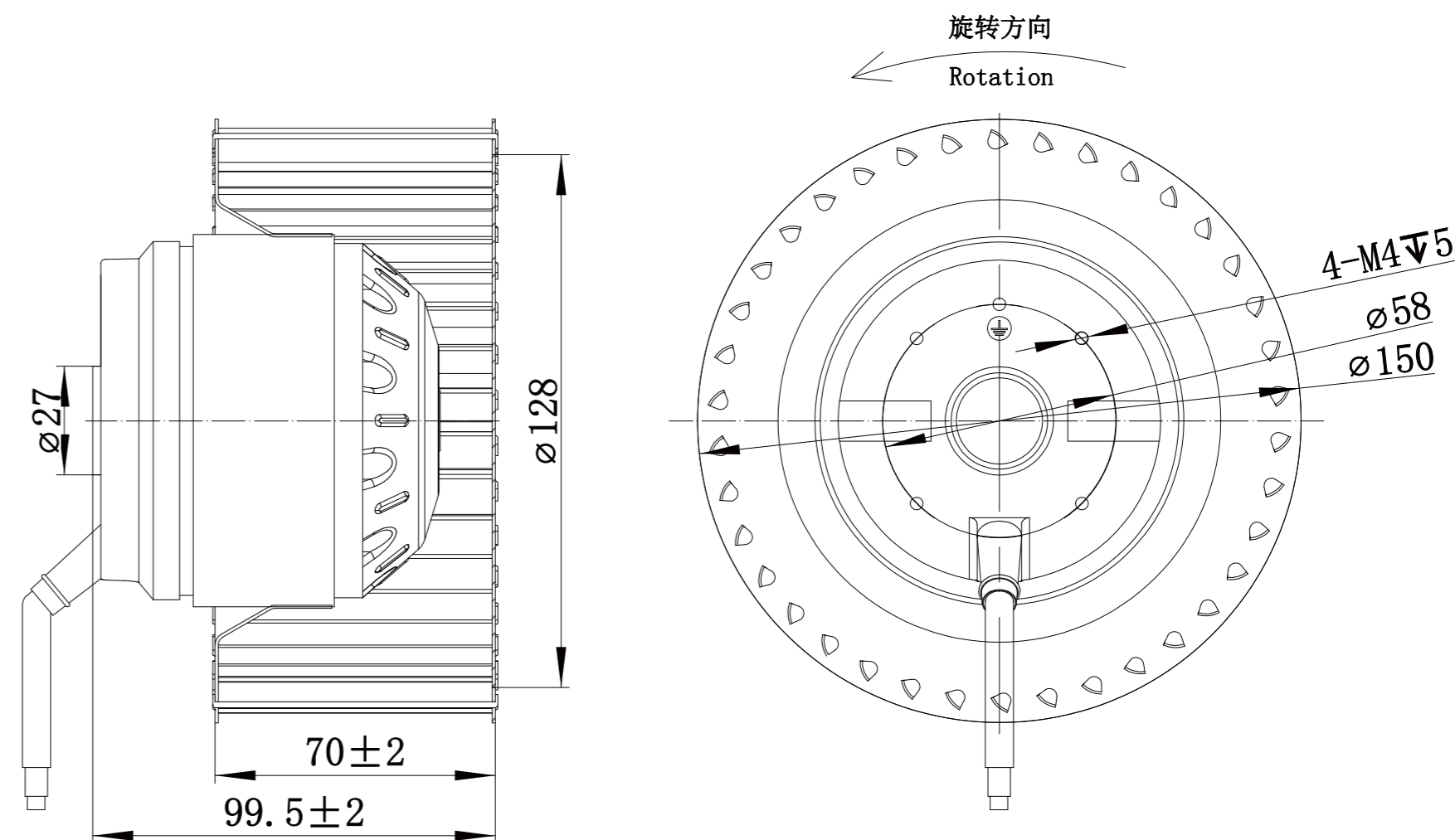


## Technical Specifications

| Model              | Voltage (V) | Frequency (Hz) | Power (W) | Current (A) | Speed (RPM) | Air Flow (m³/h) | Air Pressure (Pa) | Noise [dB(A)] | Capacitor | Curve |
|--------------------|-------------|----------------|-----------|-------------|-------------|-----------------|-------------------|---------------|-----------|-------|
| LWFA2E150-092NS-01 | 230         | 50             | 135       | 0.65        | 2600        | 551             | 464               | 67            | 4uF       | ①     |
| LWFA2E150-092NS-02 | 230         | 60             | 180       | 0.82        | 2850        | 500             | 649               | 71            | 4uF       | ②     |



## Product Drawing (mm)



# LWFA-160 Series

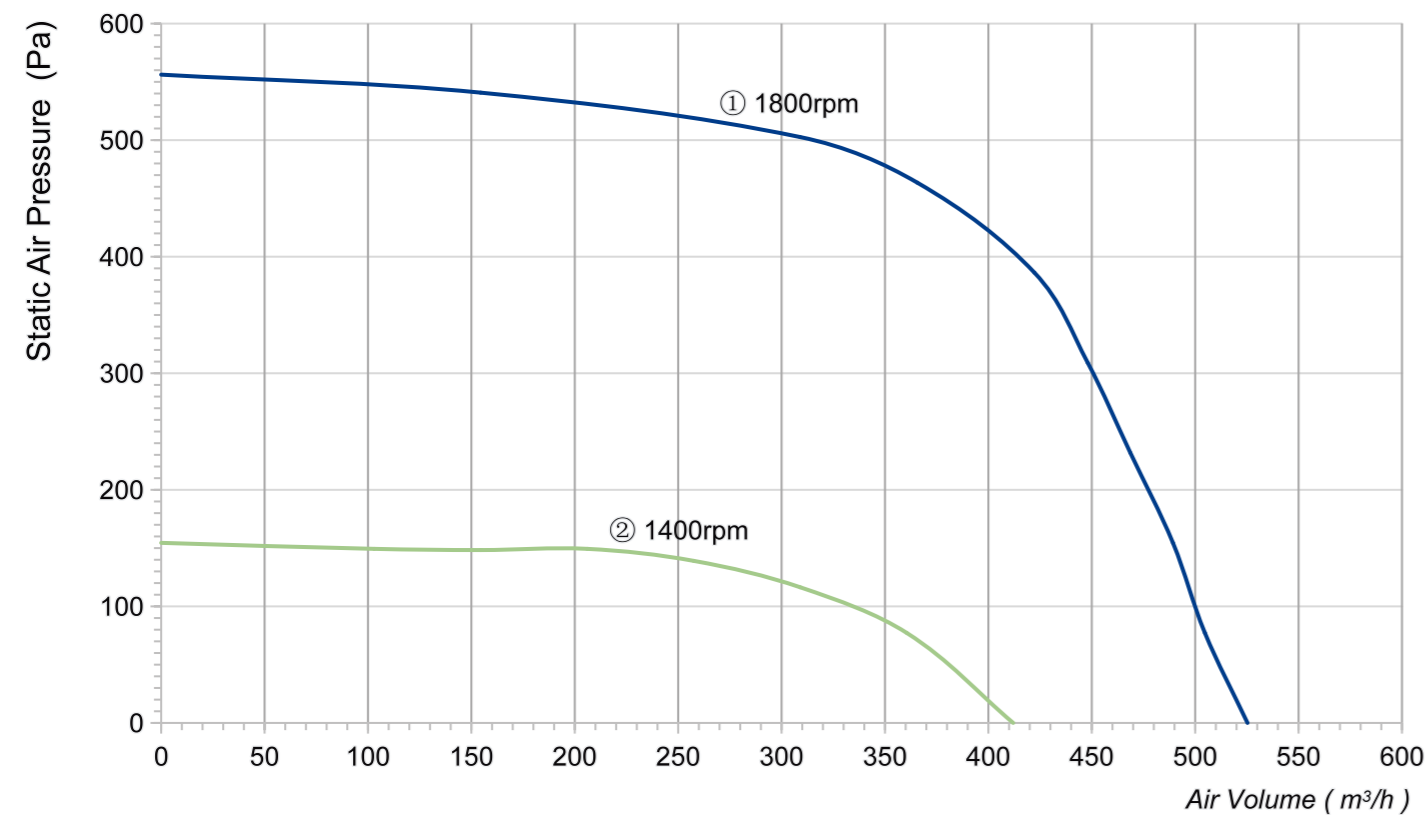
## Product Characteristic

- Material : Galvanised sheet steel
- Mode of operation: S1
- Type of operation: IP54
- Insulation class: F
- Bearing: Maintenance-free ball bearings
- Operation Temperature: -30~+60 C

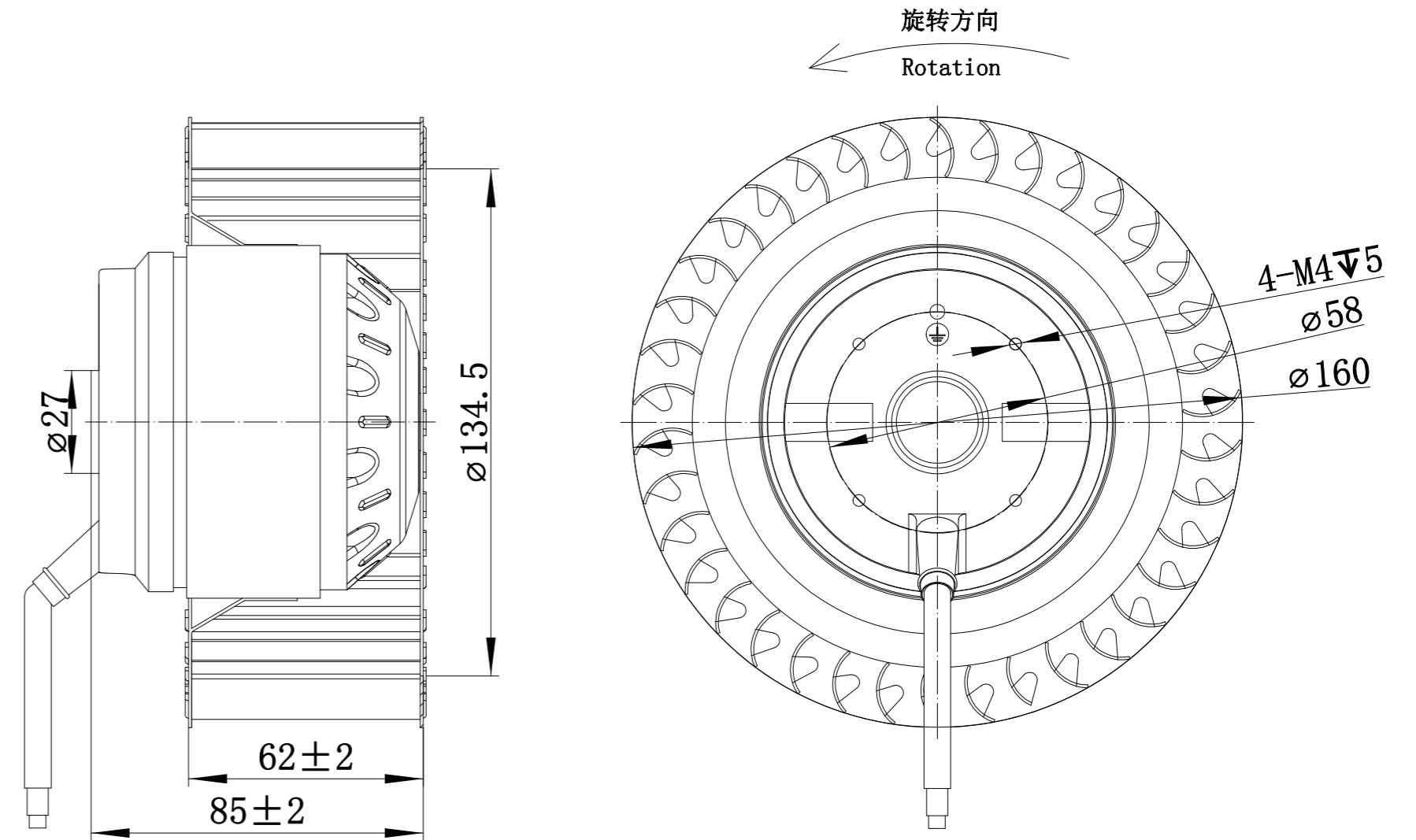


## Technical Specifications

| Model              | Voltage (V) | Frequency (Hz) | Power (W) | Current (A) | Speed (RPM) | Air Flow (m³/h) | Air Pressure (Pa) | Noise [dB(A)] | Capacitor | Curve |
|--------------------|-------------|----------------|-----------|-------------|-------------|-----------------|-------------------|---------------|-----------|-------|
| LWFA2E160-092NS-01 | 230         | 50             | 230       | 1           | 1800        | 525             | 556               | 69            | 4uF       | ①     |
| LWFA4E160-092NS-02 | 230         | 50             | 68        | 0.3         | 1400        | 412             | 155               | 58            | 2uF       | ②     |



## Product Drawing (mm)



# LWFA-180 Series

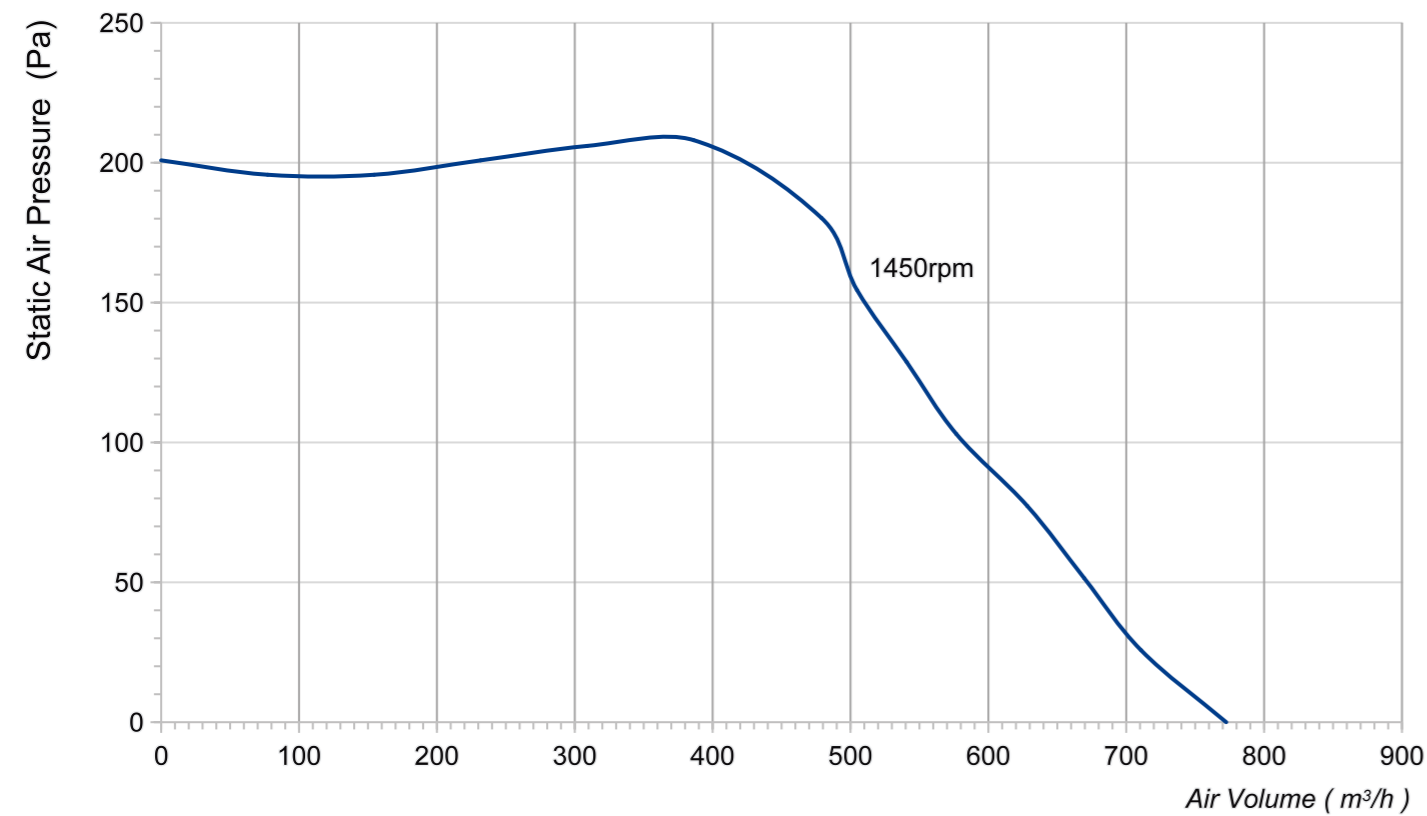
## Product Characteristic

- Material : Galvanised sheet steel
- Mode of operation: S1
- Type of operation: IP54
- Insulation class: B
- Bearing: Maintenance-free ball bearings
- Operation Temperature: -30~+60 C

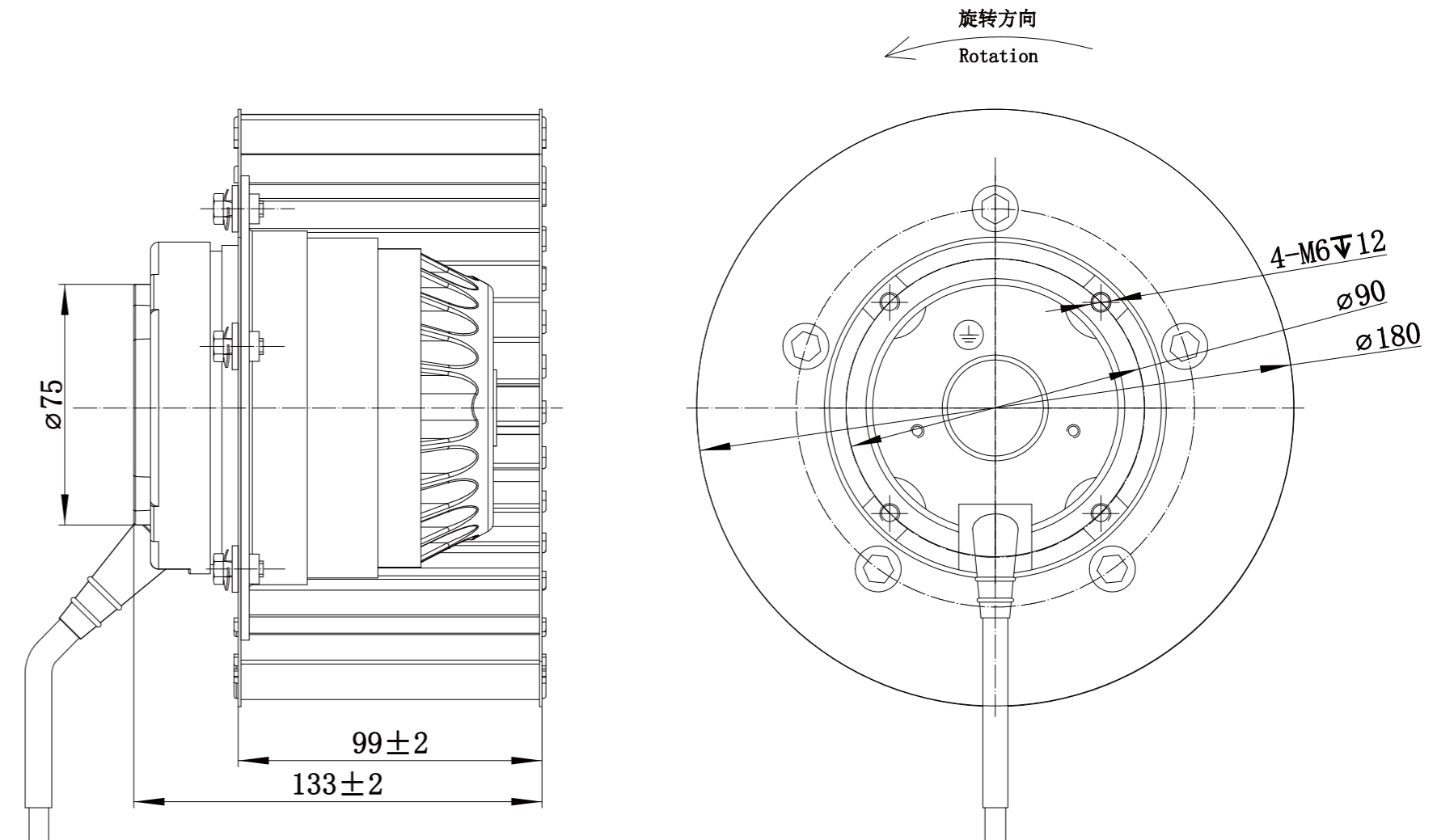


## Technical Specifications

| Model              | Voltage (V) | Frequency (Hz) | Power (W) | Current (A) | Speed (RPM) | Air Flow (m³/h) | Air Pressure (Pa) | Noise [dB(A)] | Capacitor | Curve |
|--------------------|-------------|----------------|-----------|-------------|-------------|-----------------|-------------------|---------------|-----------|-------|
| LWFA4E180-092NS-01 | 230         | 50             | 85        | 0.52        | 1450        | 773             | 196               | 69            | 3uF       | /     |



## Product Drawing (mm)



# LWFA-200 Series

## Product Characteristic

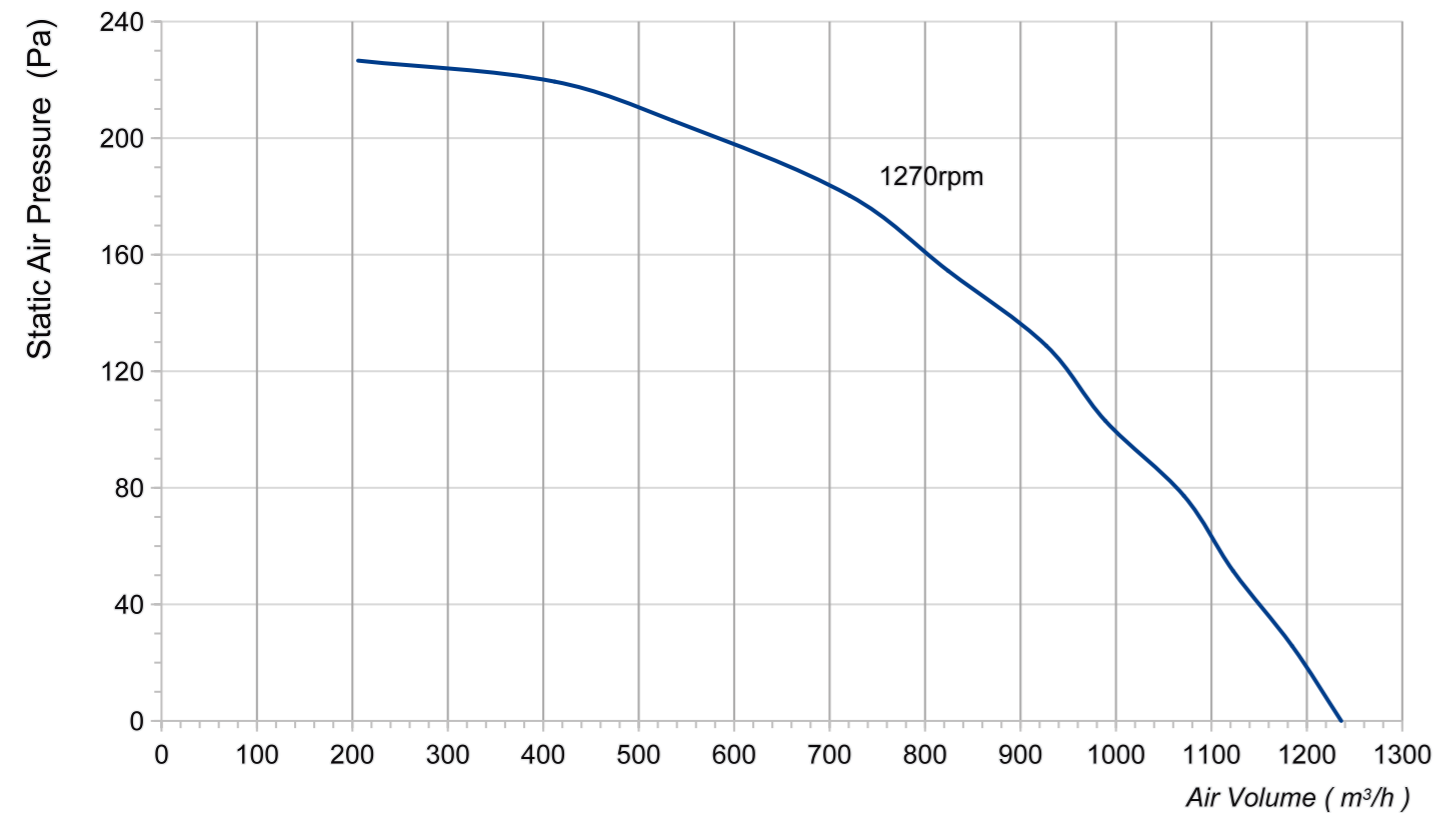
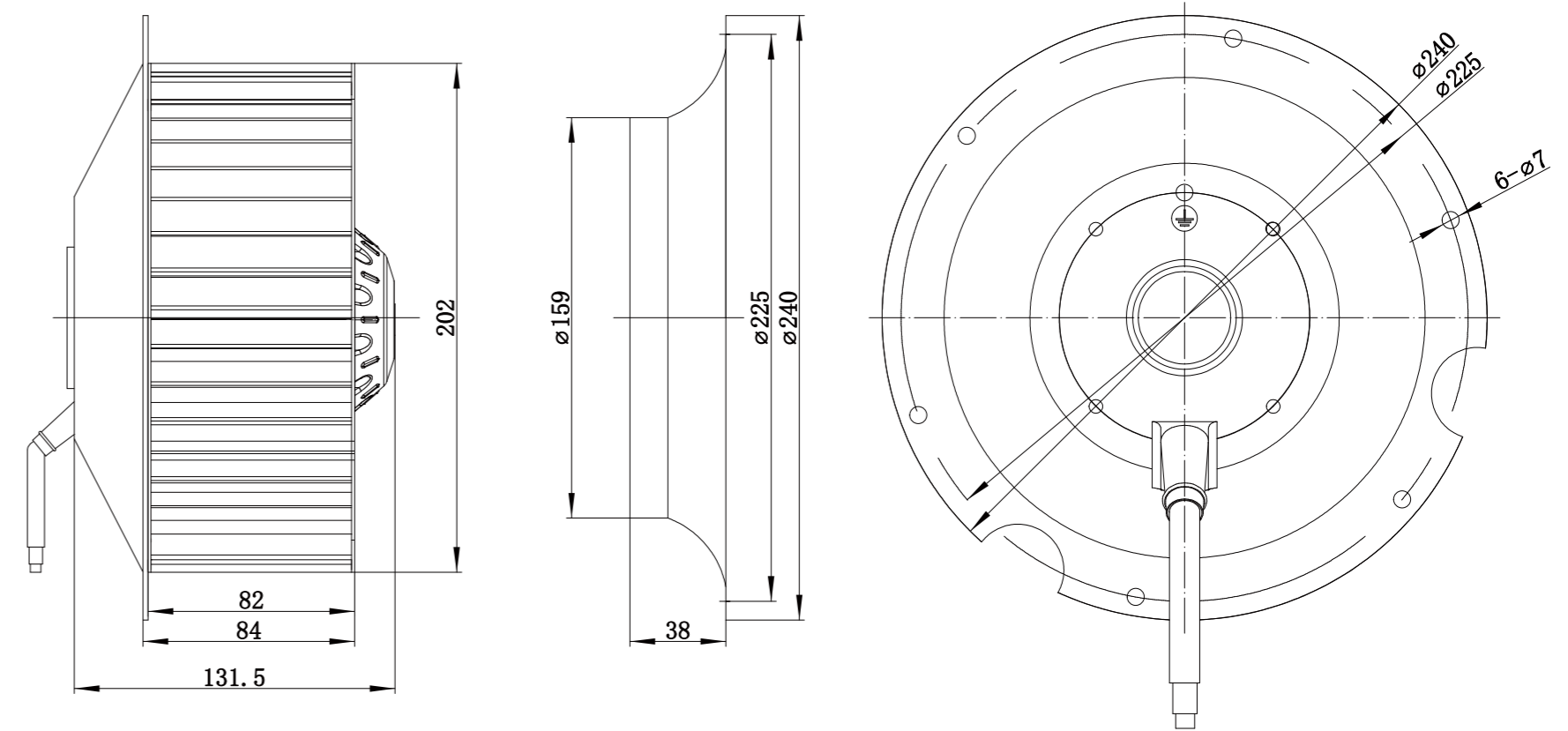
- Material : Galvanised sheet steel
- Mode of operation: S1
- Type of operation: IP54
- Insulation class: F
- Bearing: Maintenance-free ball bearings
- Operation Temperature: -30~+60 C



## Technical Specifications

| Model              | Voltage (V) | Frequency (Hz) | Power (W) | Current (A) | Speed (RPM) | Air Flow (m³/h) | Air Pressure (Pa) | Noise [dB(A)] | Capacitor | Curve |
|--------------------|-------------|----------------|-----------|-------------|-------------|-----------------|-------------------|---------------|-----------|-------|
| LWFA4D200-102NT-01 | 380         | 50             | 330       | 0.63        | 1270        | 1236            | 227               | 59            | /         | /     |
| LWFA4E200-102NS-02 | 230         | 50             | 330       | 1.52        | 1280        | 1236            | 227               | 59            | 8         | /     |

## Product Drawing (mm)



# LWFA-225 Series

## Product Characteristic

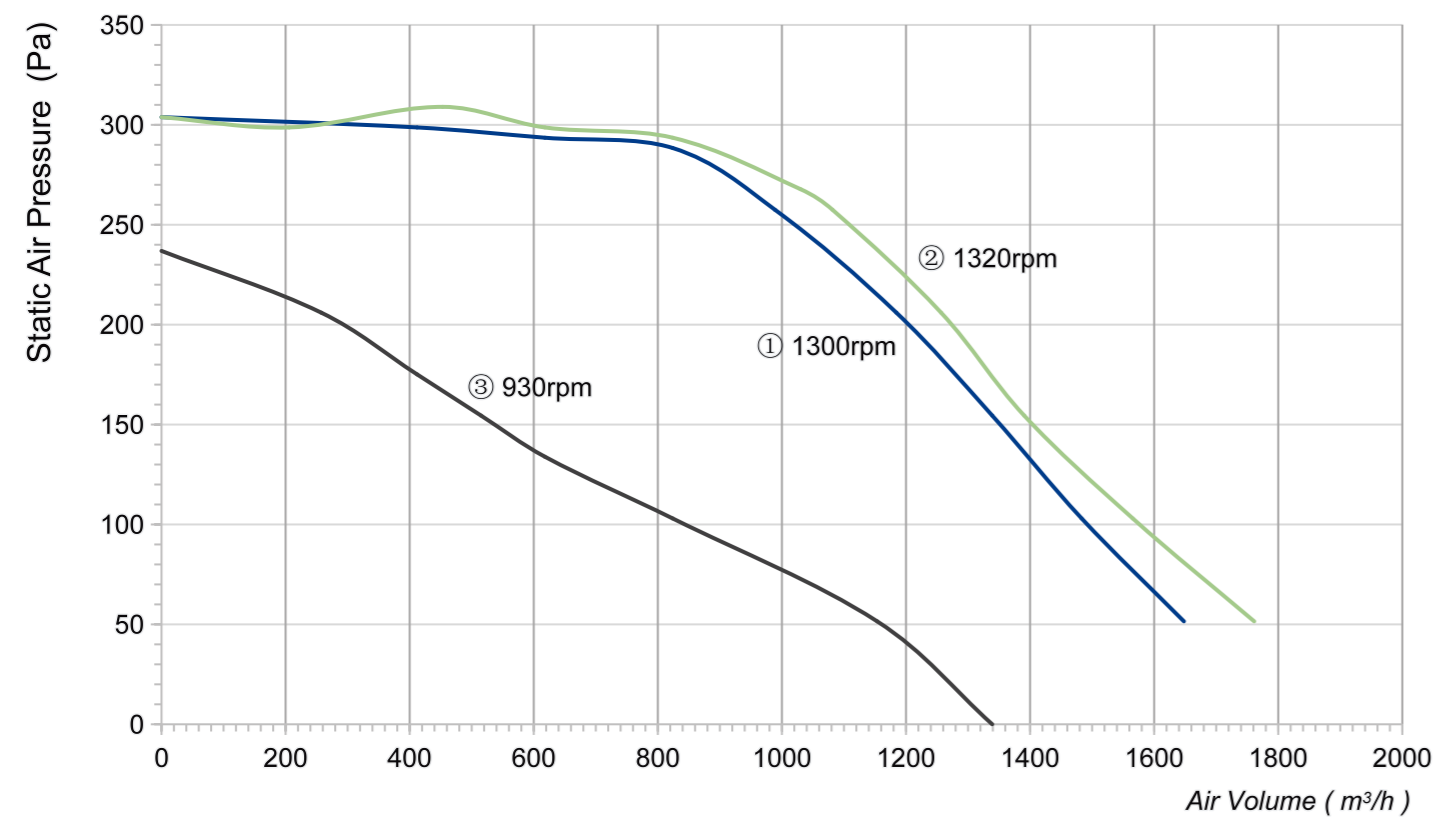
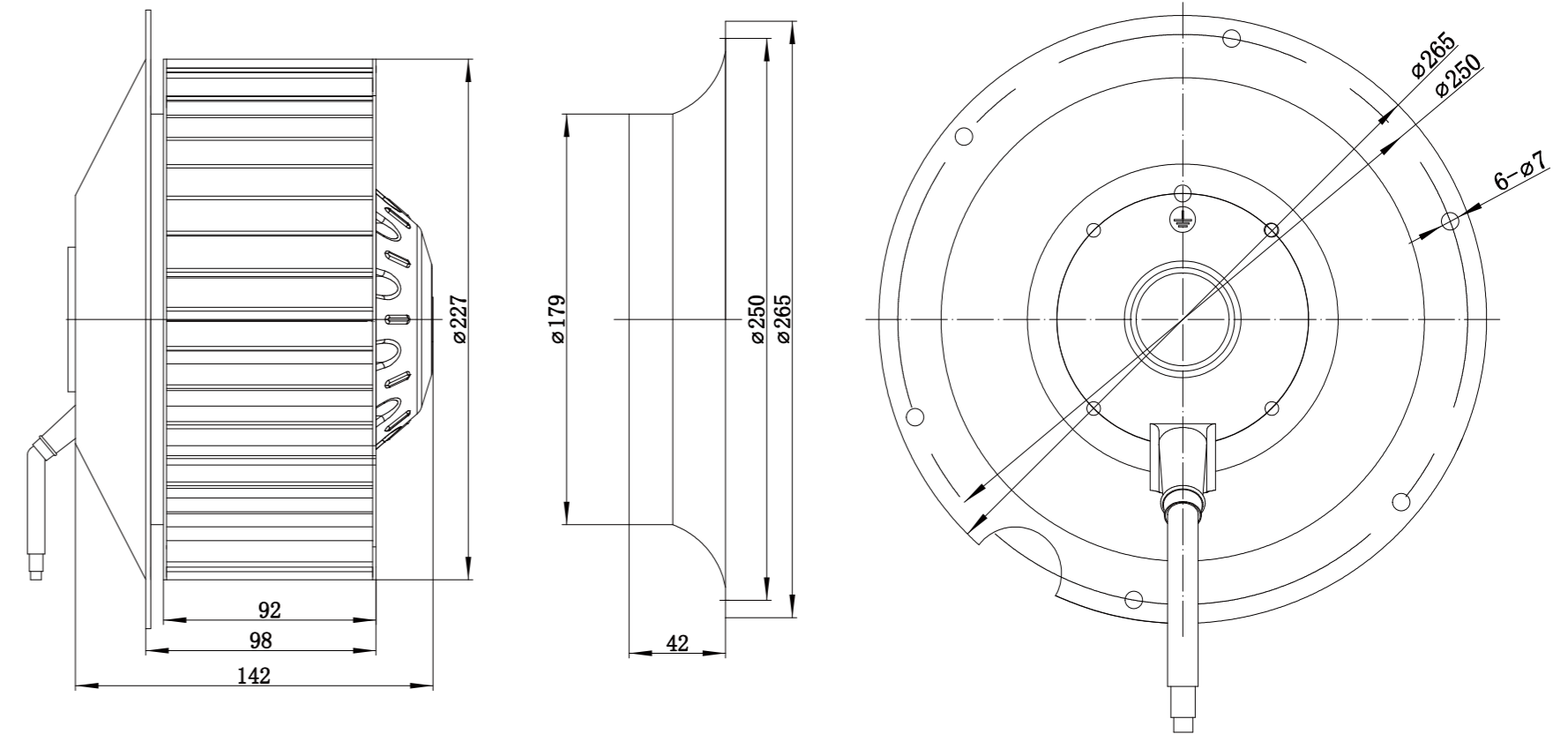
- Material : Galvanised sheet steel
- Mode of operation: S1
- Type of operation: IP54
- Insulation class: F
- Bearing: Maintenance-free ball bearings
- Operation Temperature: -30~+60 C



## Technical Specifications

| Model              | Voltage (V) | Frequency (Hz) | Power (W) | Current (A) | Speed (RPM) | Air Flow (m³/h) | Air Pressure (Pa) | Noise [dB(A)] | Capacitor | Curve |
|--------------------|-------------|----------------|-----------|-------------|-------------|-----------------|-------------------|---------------|-----------|-------|
| LWFA4D225-138NT-01 | 380         | 50             | 490       | 0.82        | 1300        | 1648            | 288               | 65            | /         | ①     |
| LWFA4E225-138NS-02 | 230         | 50             | 510       | 2.3         | 1320        | 1761            | 288               | 65            | 15        | ②     |
| LWFA6D225-138NT-03 | 380         | 50             | 300       | 0.81        | 930         | 1339            | 237               | 59            | /         | ③     |

## Product Drawing (mm)



# LWFA-250 Series

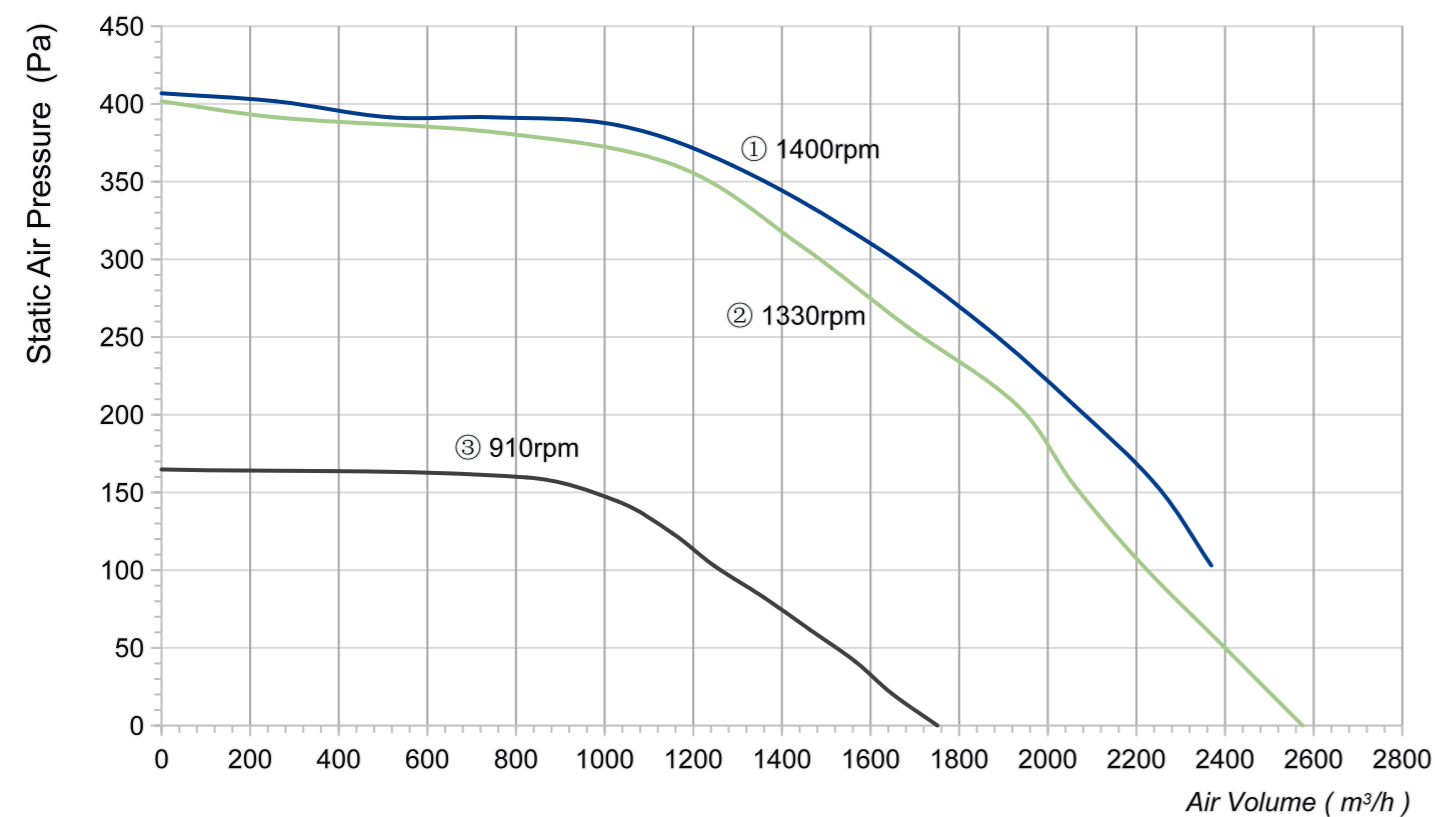
## Product Characteristic

- Material : Galvanised sheet steel
- Mode of operation: S1
- Type of operation: IP54
- Insulation class: F
- Bearing: Maintenance-free ball bearings
- Operation Temperature: -30~+60 C

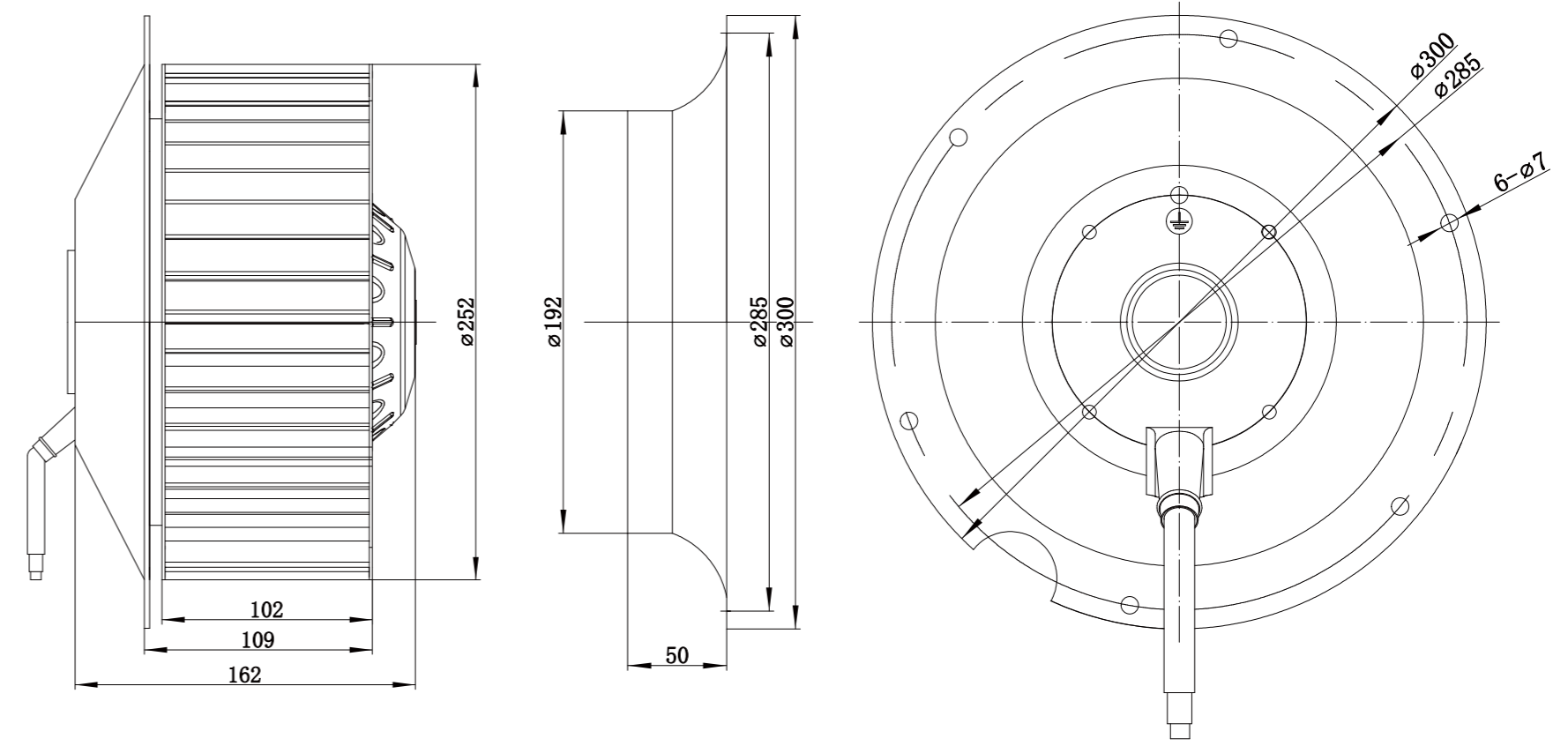


## Technical Specifications

| Model              | Voltage (V) | Frequency (Hz) | Power (W) | Current (A) | Speed (RPM) | Air Flow (m³/h) | Air Pressure (Pa) | Noise [dB(A)] | Capacitor | Curve |
|--------------------|-------------|----------------|-----------|-------------|-------------|-----------------|-------------------|---------------|-----------|-------|
| LWFA4D250-138NT-01 | 380         | 50             | 870       | 1.8         | 1400        | 2369            | 407               | 72            | /         | ①     |
| LWFA4E250-138NS-02 | 220         | 50             | 900       | 4.1         | 1330        | 2575            | 402               | 72            | 25        | ②     |
| LWFA6D250-102NT-03 | 380         | 50             | 320       | 0.81        | 910         | 1751            | 165               | 62            | /         | ③     |
| LWFA6E250-102NS-04 | 220         | 50             | 320       | 1.6         | 900         | 1751            | 165               | 62            | 10        | ③     |



## Product Drawing (mm)



# LWFA-280 Series

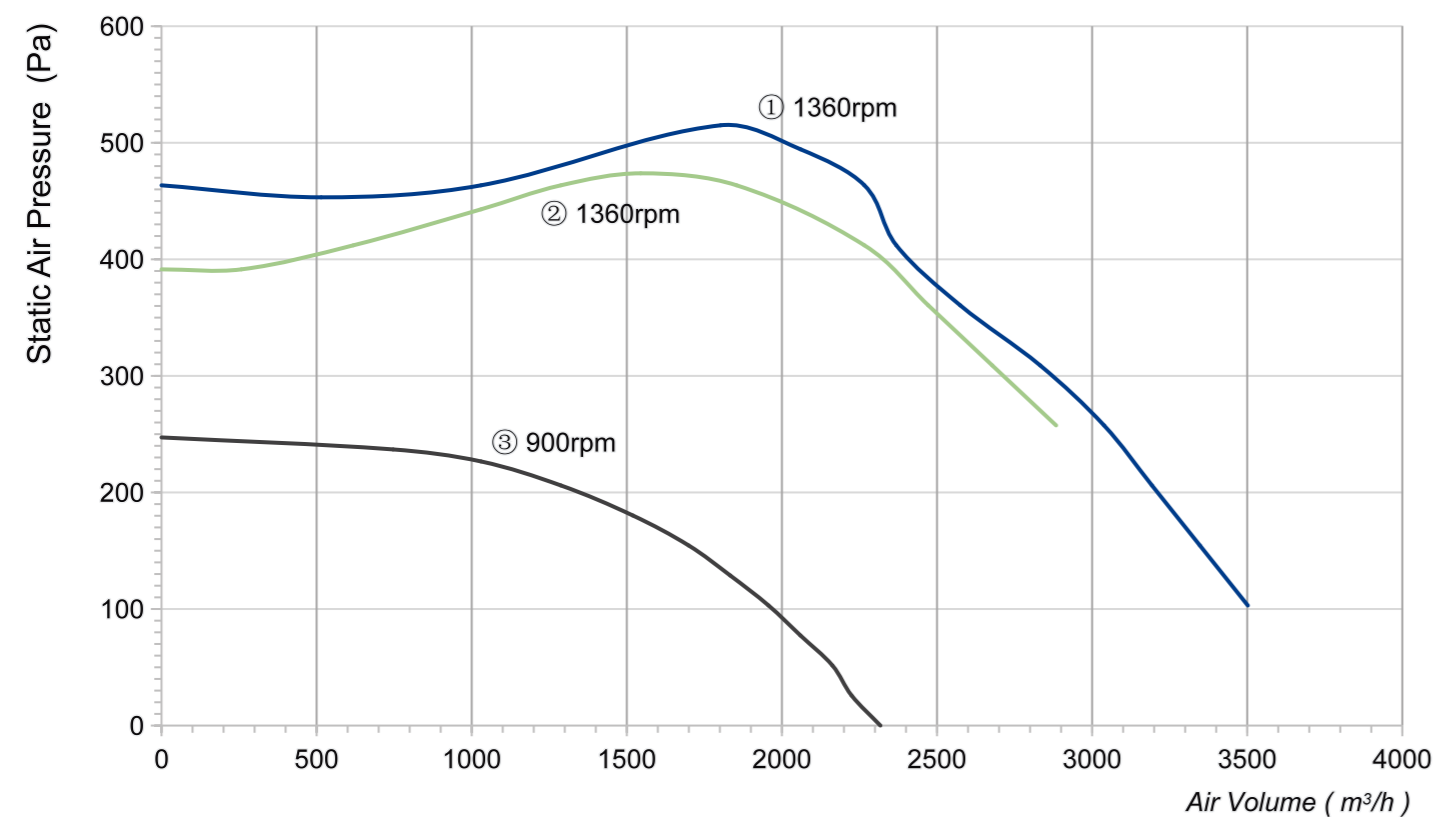
## Product Characteristic

- Material : Galvanised sheet steel
- Mode of operation: S1
- Type of operation: IP54
- Insulation class: F
- Bearing: Maintenance-free ball bearings
- Operation Temperature: -30~+60 C

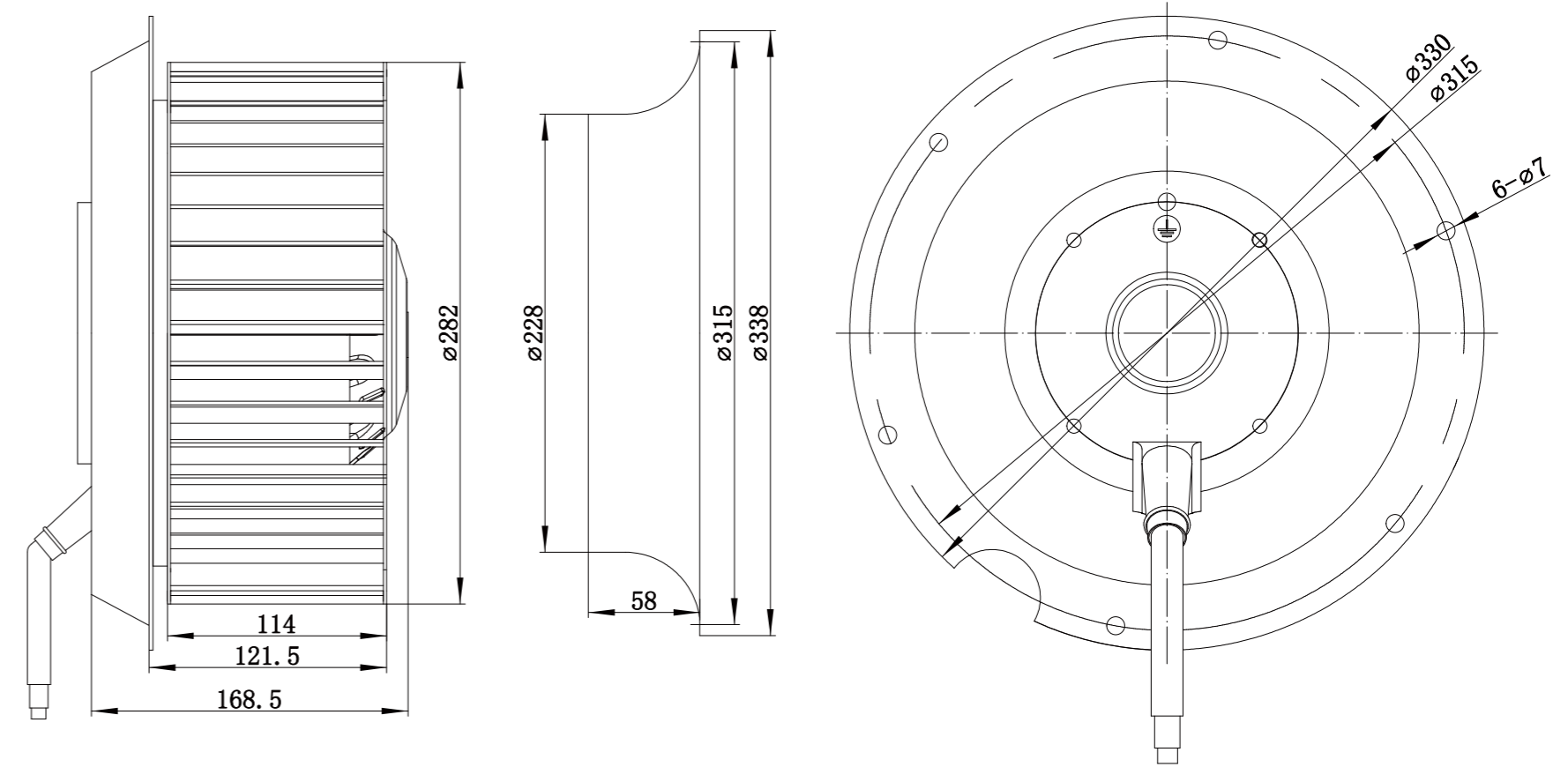


## Technical Specifications

| Model              | Voltage (V) | Frequency (Hz) | Power (W) | Current (A) | Speed (RPM) | Air Flow (m³/h) | Air Pressure (Pa) | Noise [dB(A)] | Capacitor | Curve |
|--------------------|-------------|----------------|-----------|-------------|-------------|-----------------|-------------------|---------------|-----------|-------|
| LWFA4D280-188NT-01 | 380         | 50             | 1700      | 3.2         | 1360        | 3502            | 464               | 77            | /         | ①     |
| LWFA4E280-188NS-02 | 220         | 50             | 1600      | 7.3         | 1360        | 2884            | 391               | 77            | 30        | ②     |
| LWFA6D280-138NT-03 | 380         | 50             | 450       | 0.88        | 900         | 2318            | 247               | 65            | /         | ③     |
| LWFA6E280-138NS-04 | 220         | 50             | 450       | 2.5         | 900         | 2318            | 247               | 65            | 15        | ③     |



## Product Drawing (mm)



# LWFA-315 Series

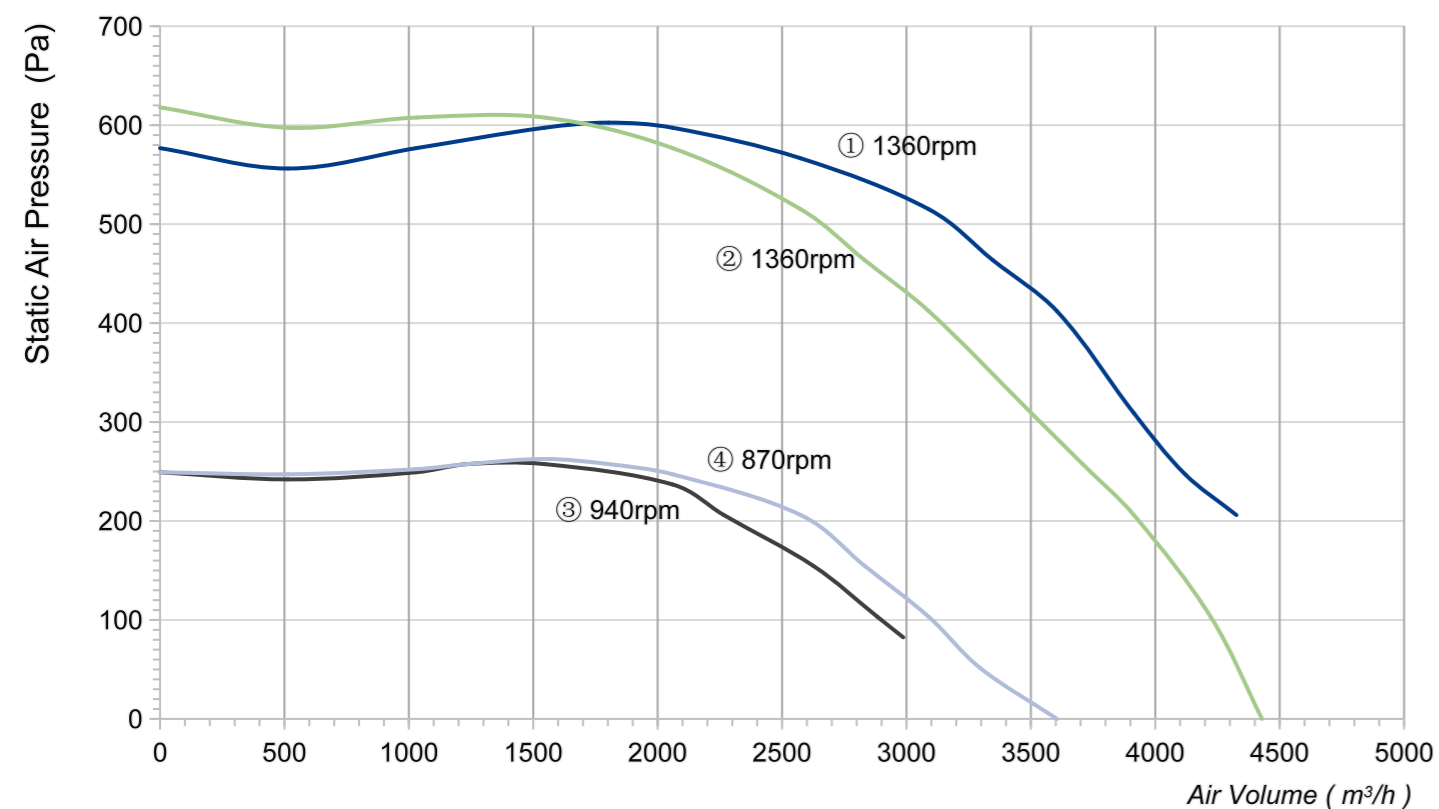
## Product Characteristic

- Material : Galvanised sheet steel
- Mode of operation: S1
- Type of operation: IP54
- Insulation class: F
- Bearing: Maintenance-free ball bearings
- Operation Temperature: -30~+60 C

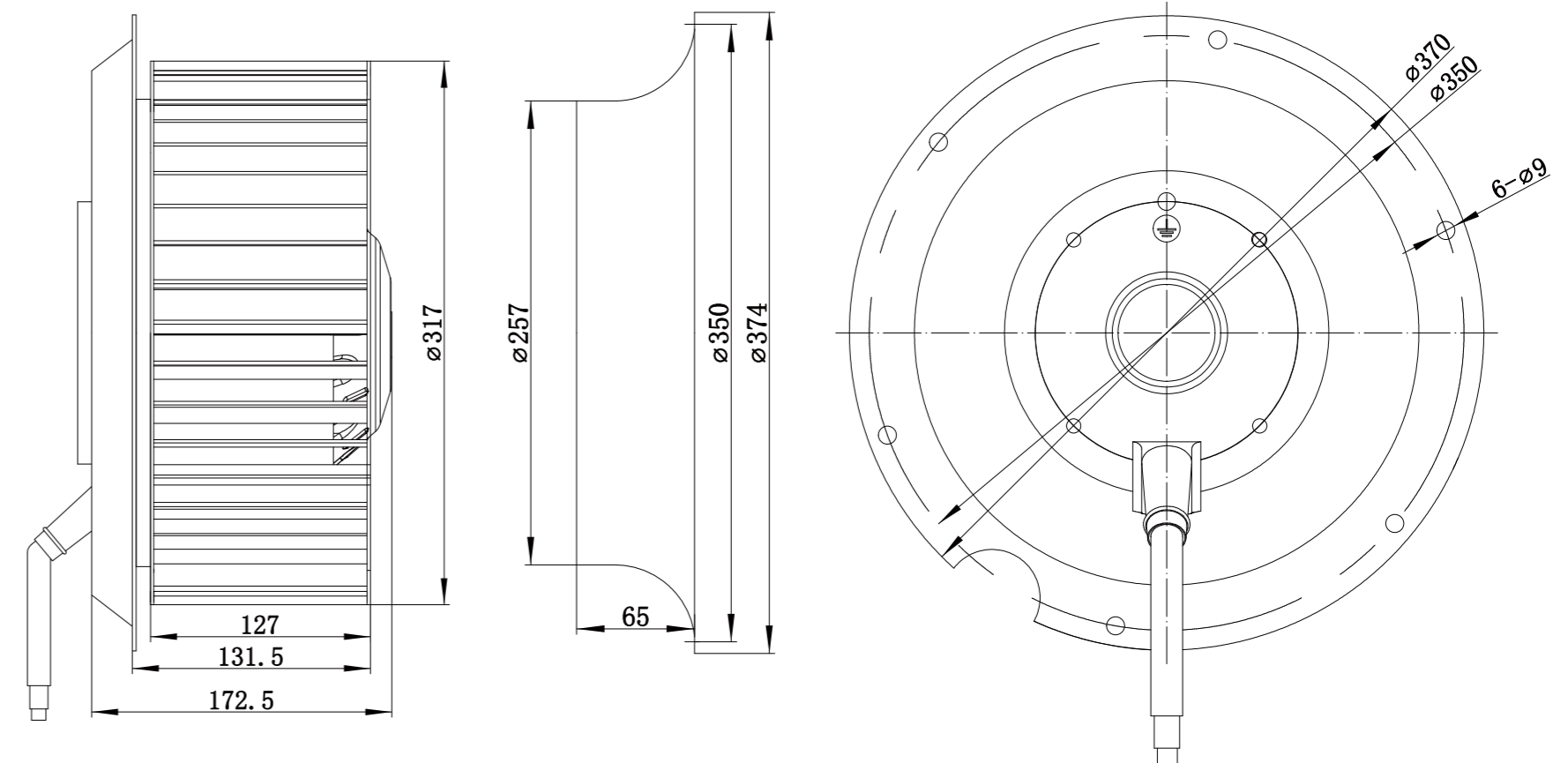


## Technical Specifications

| Model              | Voltage (V) | Frequency (Hz) | Power (W) | Current (A) | Speed (RPM) | Air Flow (m³/h) | Air Pressure (Pa) | Noise [dB(A)] | Capacitor | Curve |
|--------------------|-------------|----------------|-----------|-------------|-------------|-----------------|-------------------|---------------|-----------|-------|
| LWFA4D315-188NT-01 | 380         | 50             | 2200      | 4           | 1360        | 4326            | 577               | 80            | /         | ①     |
| LWFA4E315-188NS-02 | 220         | 50             | 2300      | 7.3         | 1360        | 4429            | 618               | 80            | 30        | ②     |
| LWFA6D315-138NT-03 | 380         | 50             | 780       | 1.5         | 940         | 2987            | 249               | 68            | /         | ③     |
| LWFA6E315-138NS-04 | 220         | 50             | 720       | 3.6         | 870         | 3605            | 249               | 68            | 20        | ④     |



## Product Drawing (mm)



# LWFA-355 Series

## Product Characteristic

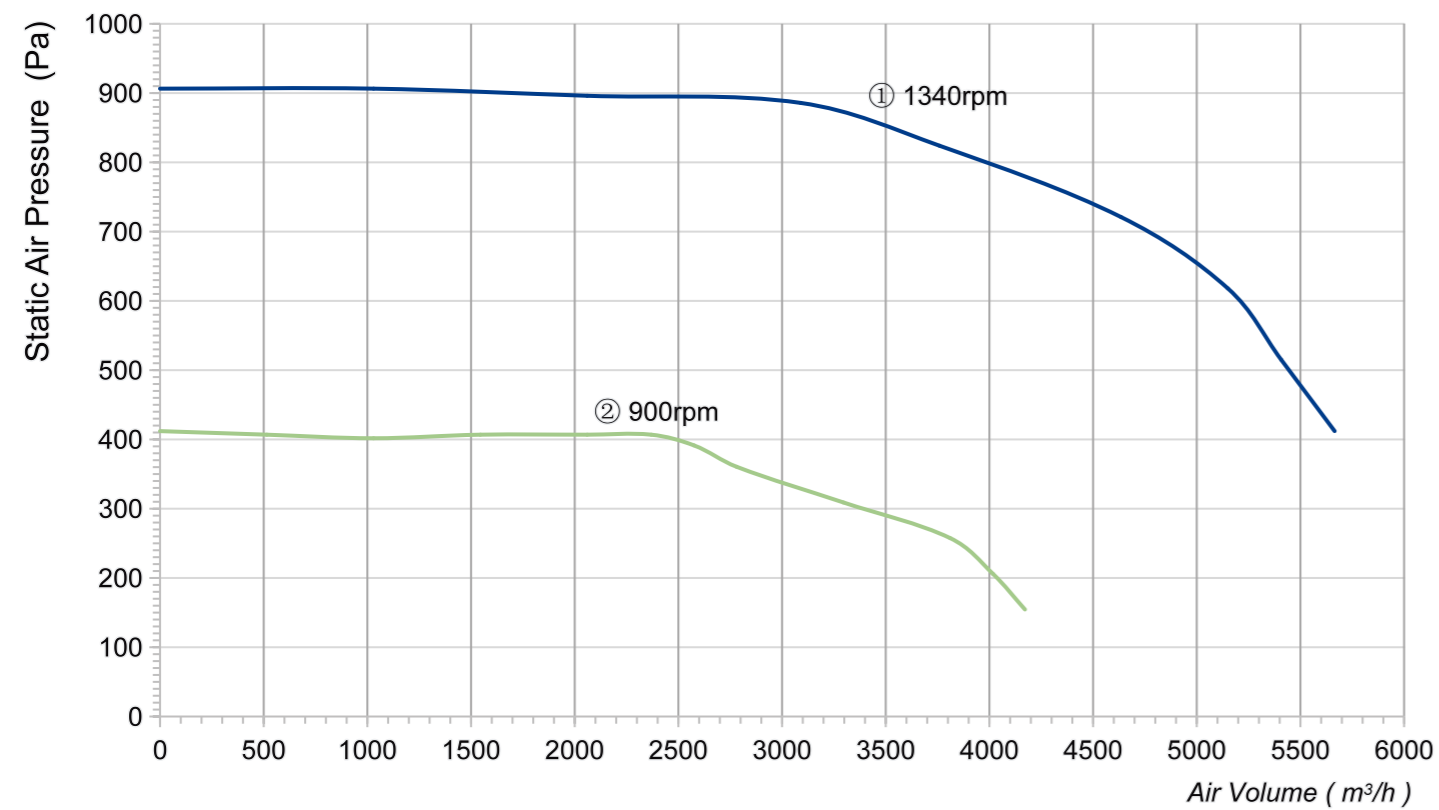
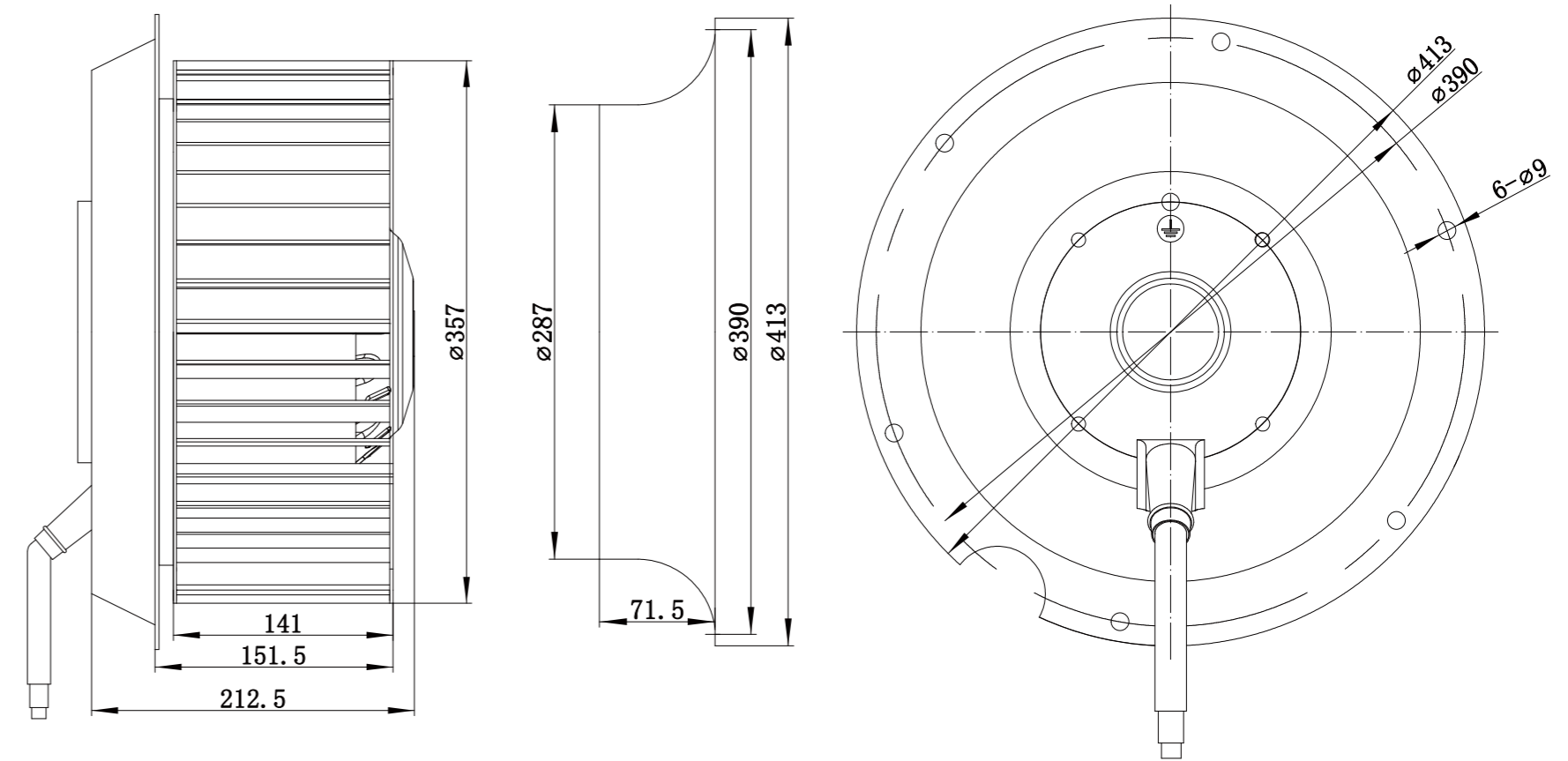
- Material : Galvanised sheet steel
- Mode of operation: S1
- Type of operation: IP54
- Insulation class: F
- Bearing: Maintenance-free ball bearings
- Operation Temperature: -30~+60 C



## Technical Specifications

| Model              | Voltage (V) | Frequency (Hz) | Power (W) | Current (A) | Speed (RPM) | Air Flow (m³/h) | Air Pressure (Pa) | Noise [dB(A)] | Capacitor | Curve |
|--------------------|-------------|----------------|-----------|-------------|-------------|-----------------|-------------------|---------------|-----------|-------|
| LWFA4D355-188NT-01 | 380         | 50             | 3500      | 5.9         | 1340        | 5665            | 906               | 80            | /         | ①     |
| LWFA6D355-188NT-02 | 380         | 50             | 1150      | 2.3         | 900         | 4172            | 412               | 70            | /         | ②     |

## Product Drawing (mm)



# LWFA-400 Series

## Product Characteristic

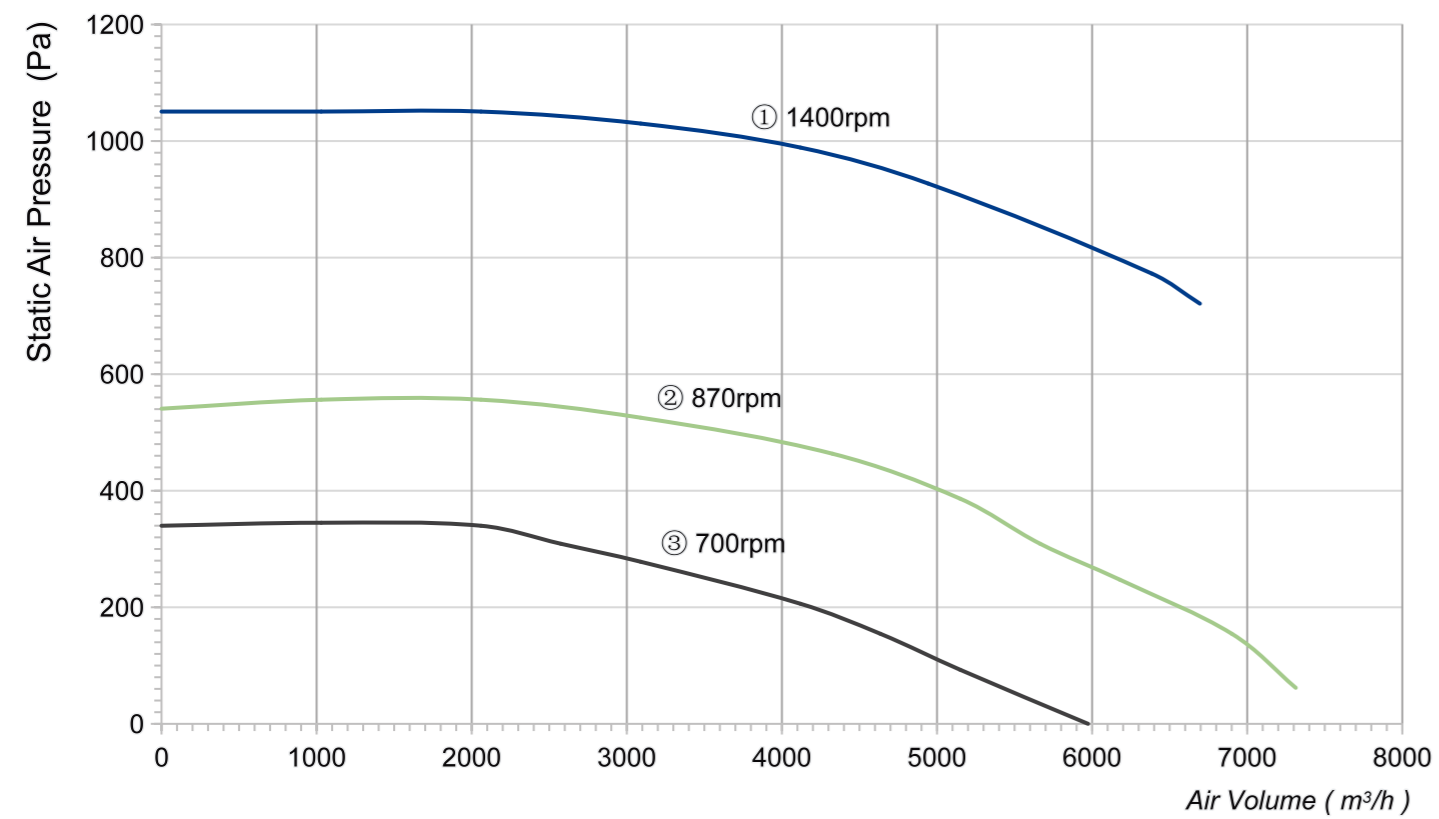
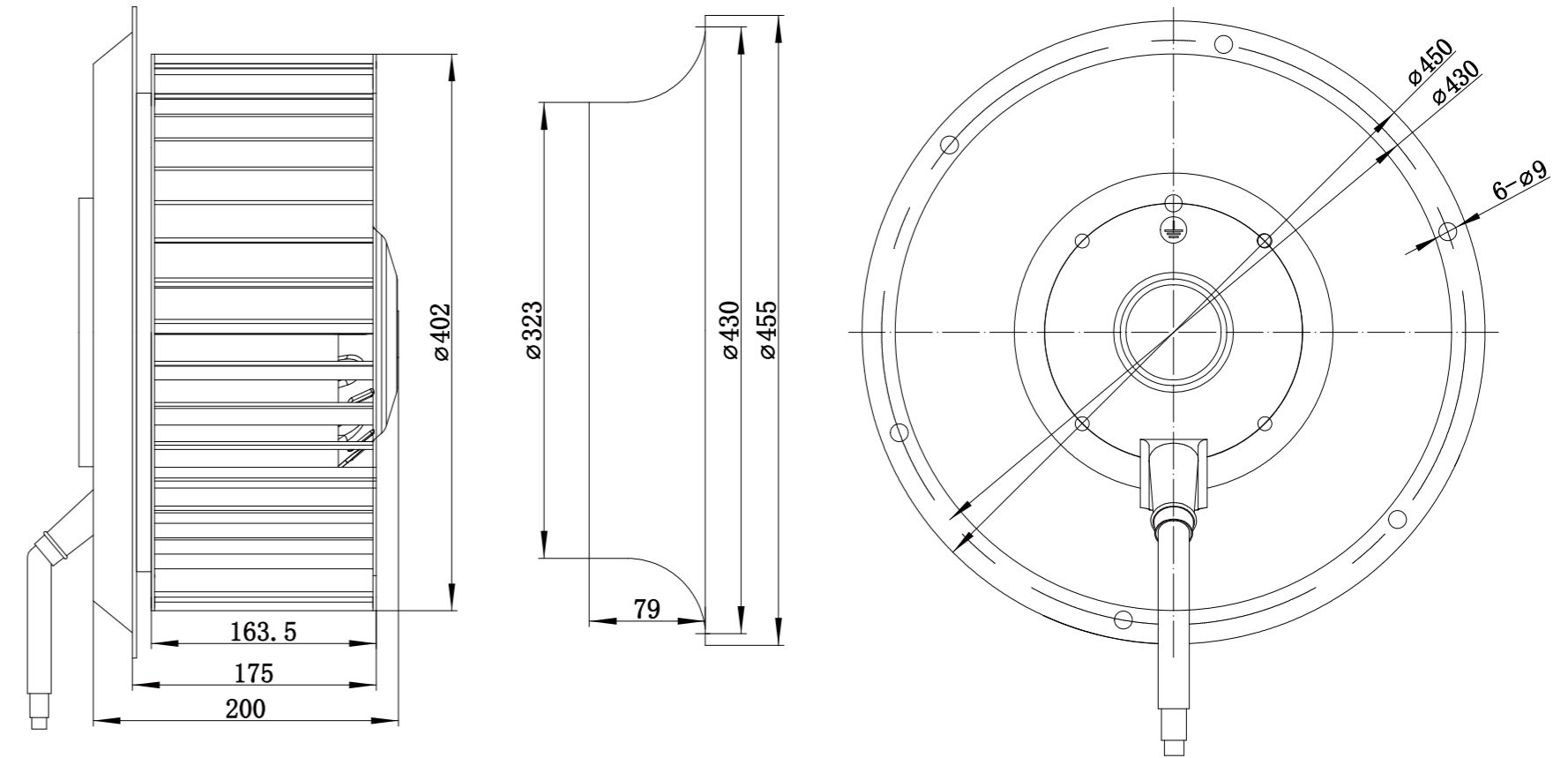
- Material : Galvanised sheet steel
- Mode of operation: S1
- Type of operation: IP54
- Insulation class: F
- Bearing: Maintenance-free ball bearings
- Operation Temperature: -30~+60 C



## Technical Specifications

| Model              | Voltage (V) | Frequency (Hz) | Power (W) | Current (A) | Speed (RPM) | Air Flow (m³/h) | Air Pressure (Pa) | Noise [dB(A)] | Capacitor | Curve |
|--------------------|-------------|----------------|-----------|-------------|-------------|-----------------|-------------------|---------------|-----------|-------|
| LWFA4D400-188NT-01 | 380         | 50             | 4800      | 8           | 1400        | 6695            | 1030              | 82            | /         | ①     |
| LWFA6D400-188NT-02 | 380         | 50             | 2800      | 4.8         | 870         | 7313            | 541               | 74            | /         | ②     |
| LWFA8D400-188NT-03 | 380         | 50             | 1700      | 3.7         | 700         | 5974            | 345               | 65            | /         | ③     |

## Product Drawing (mm)



# LWFA-450 Series

## Product Characteristic

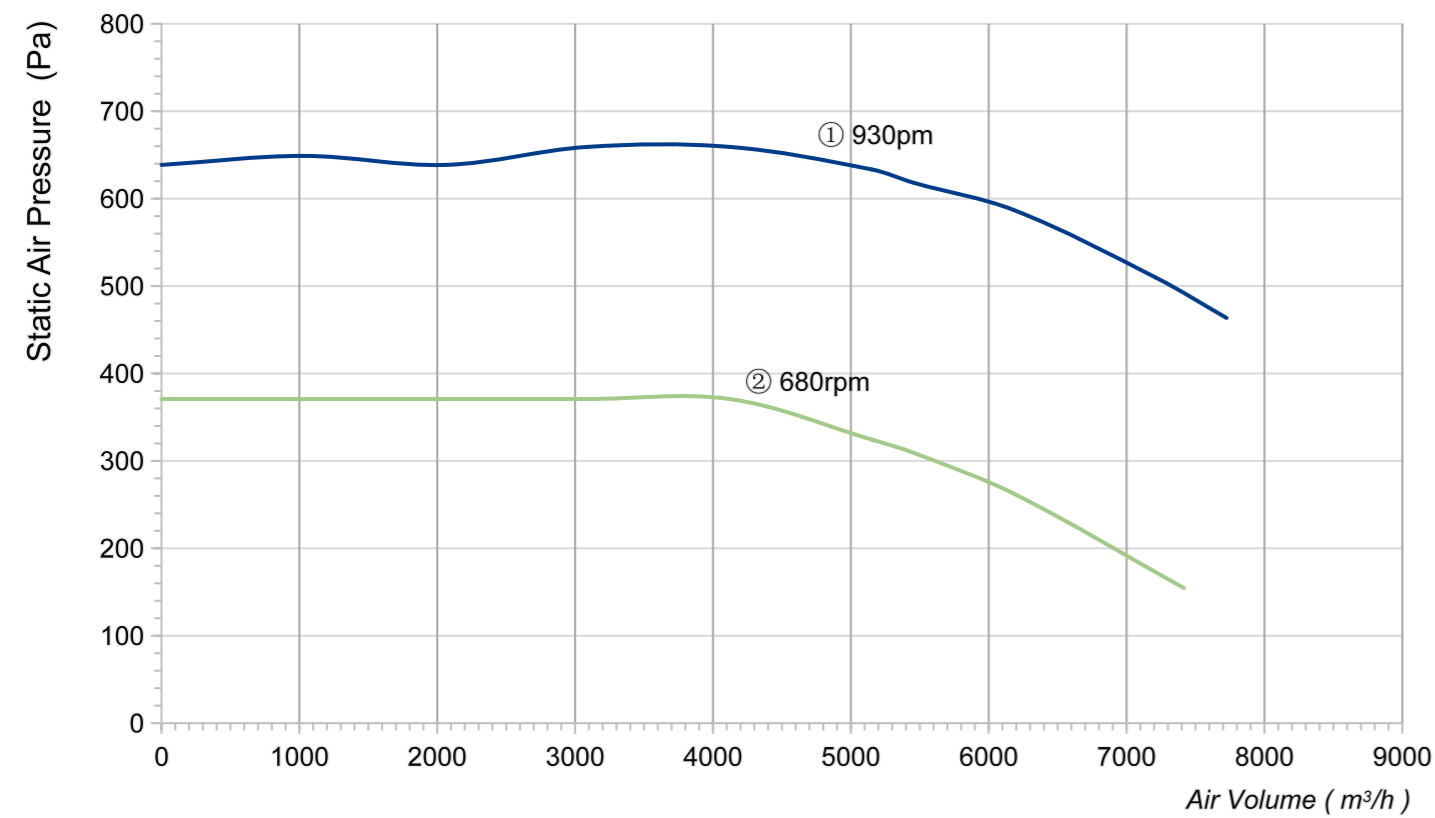
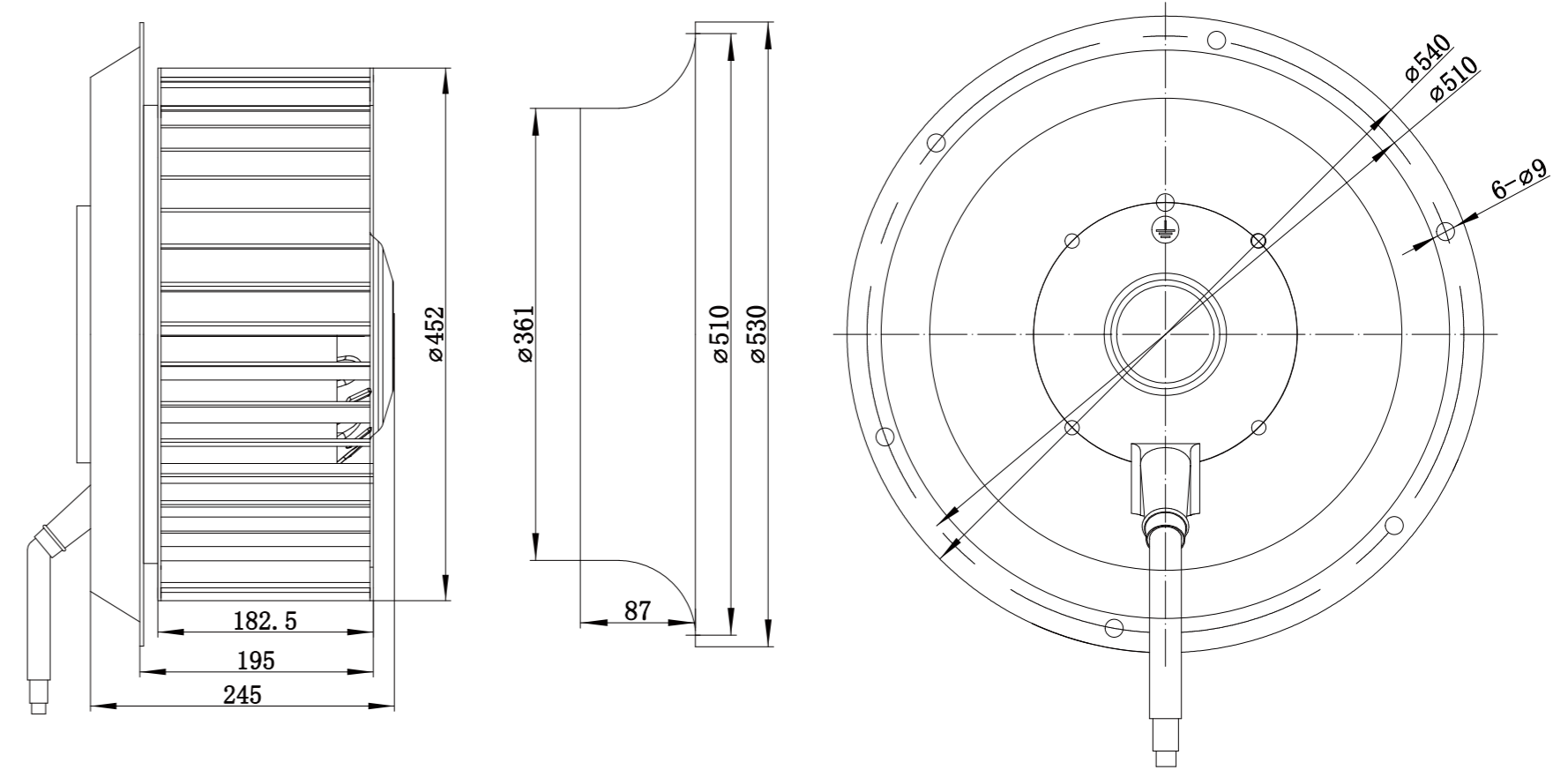
- Material : Galvanised sheet steel
- Mode of operation: S1
- Type of operation: IP54
- Insulation class: F
- Bearing: Maintenance-free ball bearings
- Operation Temperature: -30~+60 C



## Technical Specifications

| Model              | Voltage (V) | Frequency (Hz) | Power (W) | Current (A) | Speed (RPM) | Air Flow (m³/h) | Air Pressure (Pa) | Noise [dB(A)] | Capacitor | Curve |
|--------------------|-------------|----------------|-----------|-------------|-------------|-----------------|-------------------|---------------|-----------|-------|
| LWFA6D450-188NT-01 | 380         | 50             | 3500      | 5.9         | 930         | 7725            | 639               | 74            | /         | ①     |
| LWFA8D450-188NT-02 | 380         | 50             | 2000      | 4.1         | 680         | 7416            | 371               | 68            | /         | ②     |

## Product Drawing (mm)



# LWFA-500 Series

## Product Characteristic

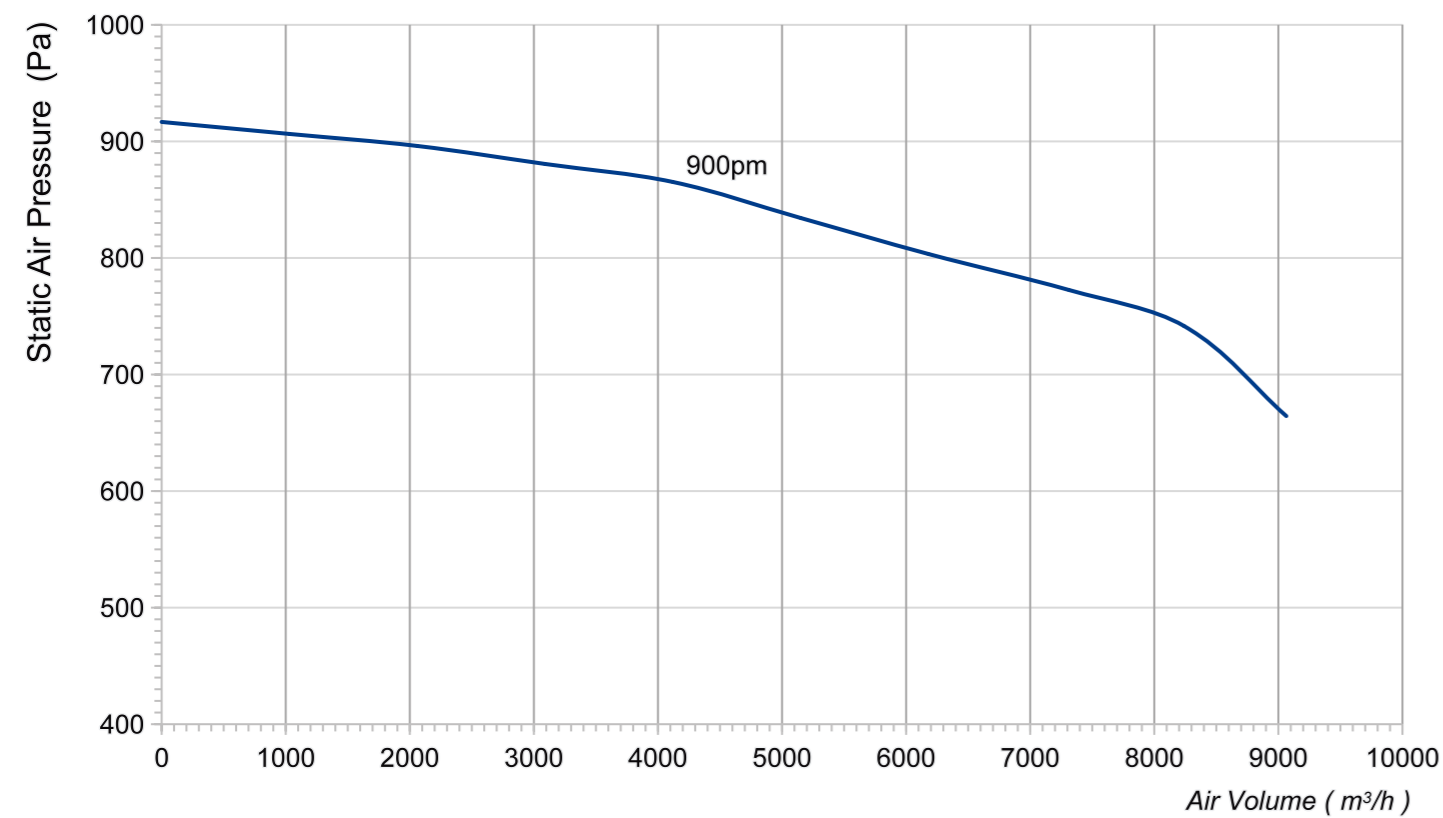
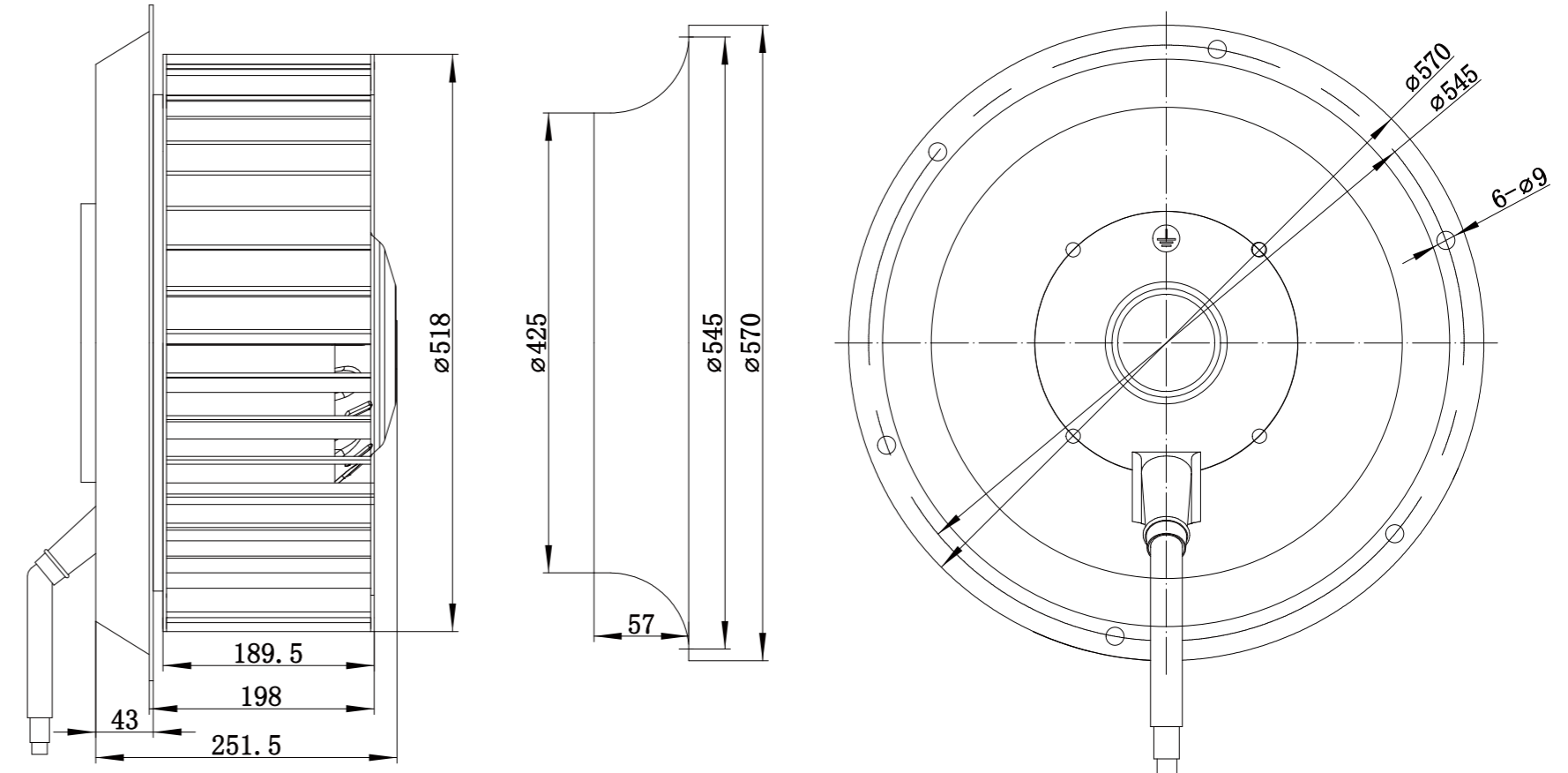
- Material : Galvanised sheet steel
- Mode of operation: S1
- Type of operation: IP54
- Insulation class: B
- Bearing: Maintenance-free ball bearings
- Operation Temperature: -30~+60 C



## Technical Specifications

| Model              | Voltage (V) | Frequency (Hz) | Power (W) | Current (A) | Speed (RPM) | Air Flow (m³/h) | Air Pressure (Pa) | Noise [dB(A)] | Capacitor | Curve |
|--------------------|-------------|----------------|-----------|-------------|-------------|-----------------|-------------------|---------------|-----------|-------|
| LWFA6D500-188NT-01 | 380         | 50             | 4400      | 7.6         | 900         | 9064            | 917               | 75            | /         | /     |

## Product Drawing (mm)



# *AC Single Inlet Forward Centrifugal Blower*

- Permanent magnet materials
- Chip stereoscopic heat dissipation
- Advanced 3D design impeller
- Oblique magnetization technology
- External rotor motor design
- IP54 Water-proof design



# LWFA-120 Series

## Product Characteristic

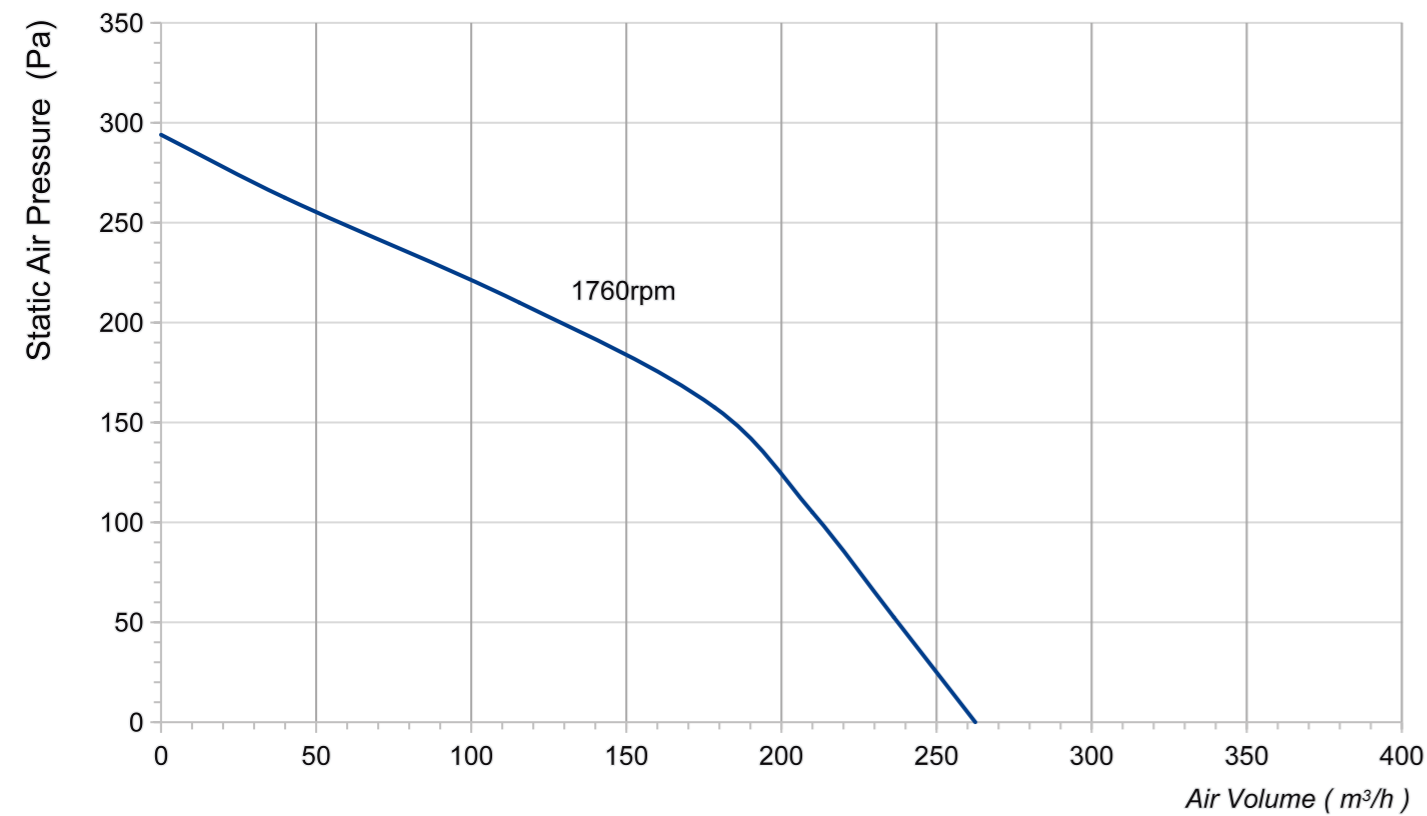
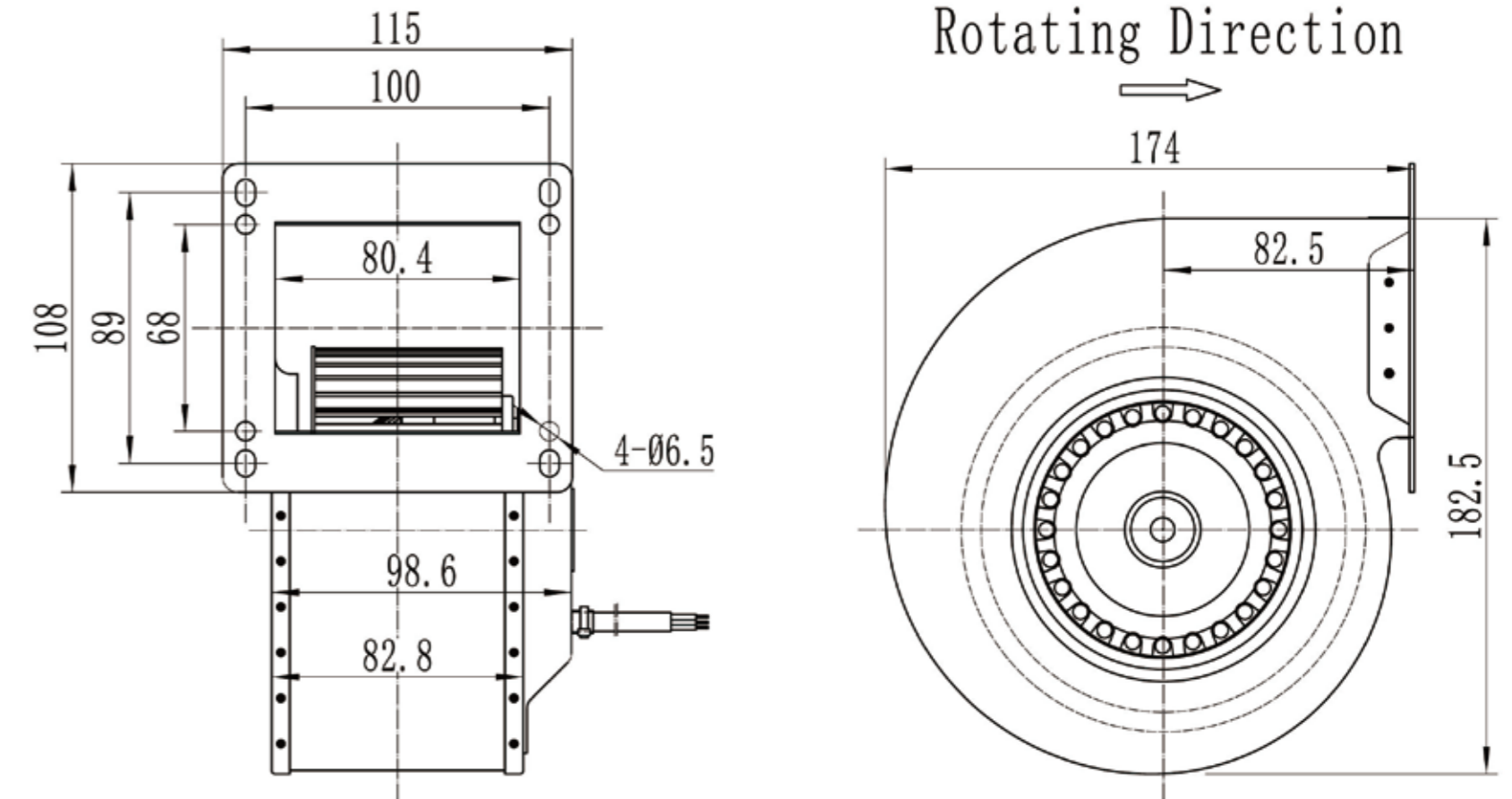
- Material : Galvanised sheet steel
- Mode of operation: S1
- Type of operation: IP54
- Insulation class: F
- Bearing: Maintenance-free ball bearings
- Operation Temperature: -30~+60 C



## Technical Specifications

| Model              | Voltage (V) | Frequency (Hz) | Power (W) | Current (A) | Speed (RPM) | Air Flow (m³/h) | Air Pressure (Pa) | Noise [dB(A)] | Capacitor | Curve |
|--------------------|-------------|----------------|-----------|-------------|-------------|-----------------|-------------------|---------------|-----------|-------|
| LWFA4E120-092SS-01 | 230         | 50             | 54        | 0.24        | 1760        | 263             | 294               | 59            | 2uF       | /     |

## Product Drawing (mm)



# LWFA-120 Series

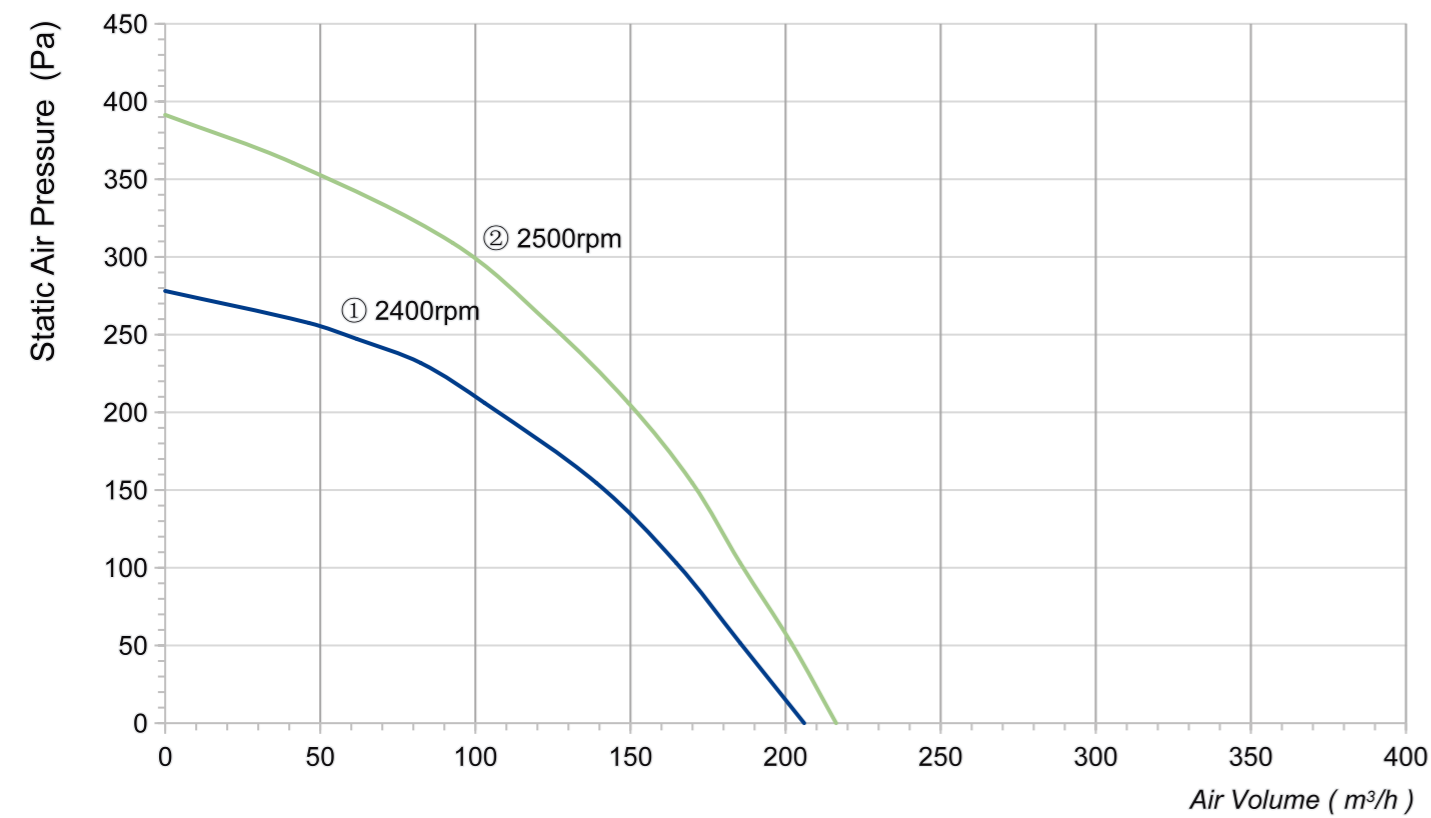
## Product Characteristic

- Material : Galvanised sheet steel
- Mode of operation: S1
- Type of operation: IP54
- Insulation class: F
- Bearing: Maintenance-free ball bearings
- Operation Temperature: -30~+60 C

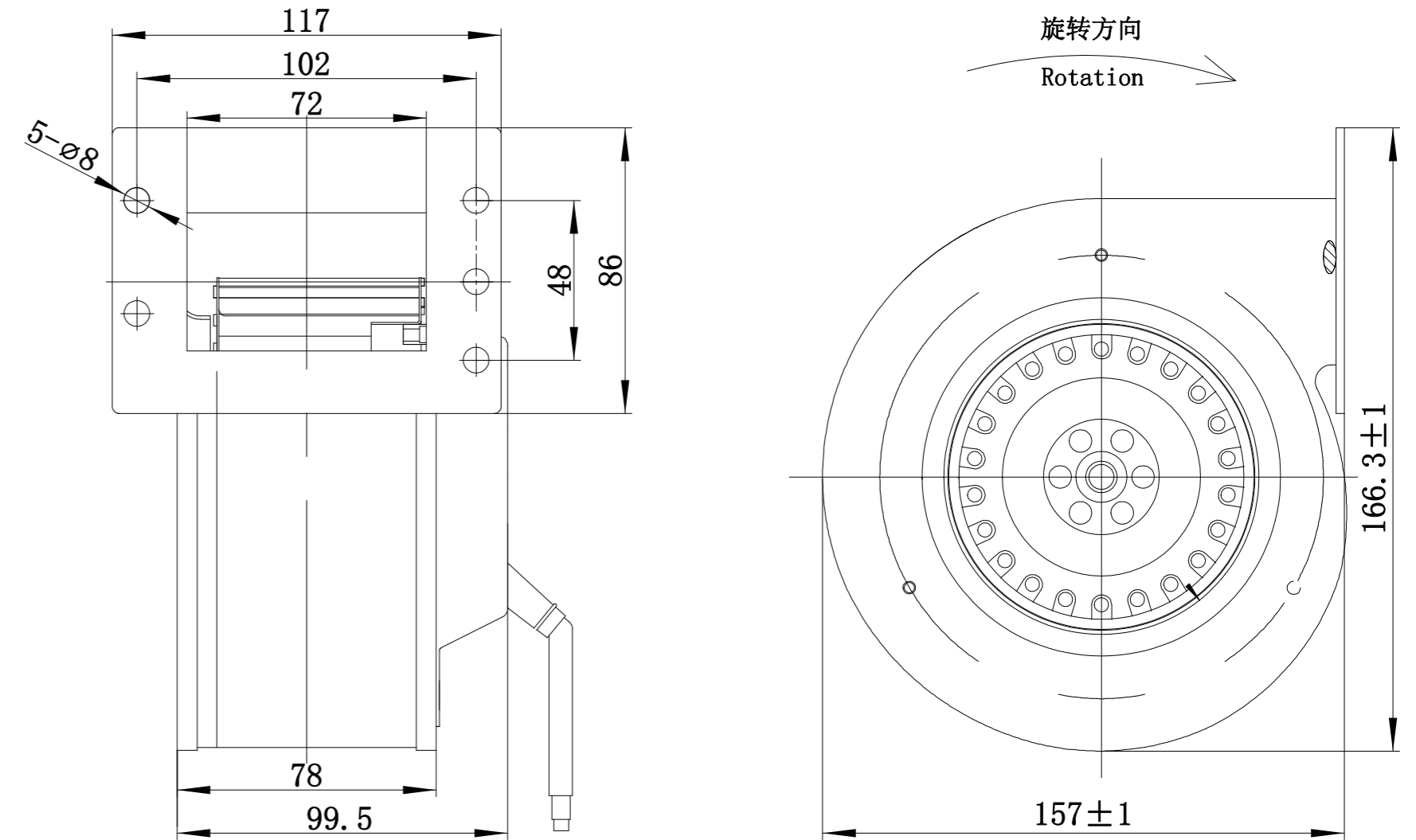


## Technical Specifications

| Model              | Voltage (V) | Frequency (Hz) | Power (W) | Current (A) | Speed (RPM) | Air Flow (m³/h) | Air Pressure (Pa) | Noise [dB(A)] | Capacitor | Curve |
|--------------------|-------------|----------------|-----------|-------------|-------------|-----------------|-------------------|---------------|-----------|-------|
| LWFA2E120-092SS-02 | 230         | 50             | 58        | 0.27        | 2400        | 206             | 278               | 51            | 1.5uF     | ①     |
| LWFA2E120-092SS-03 | 230         | 60             | 73        | 0.33        | 2500        | 216             | 391               | 53            | 1.5uF     | ②     |



## Product Drawing (mm)



# LWFA-133 Series

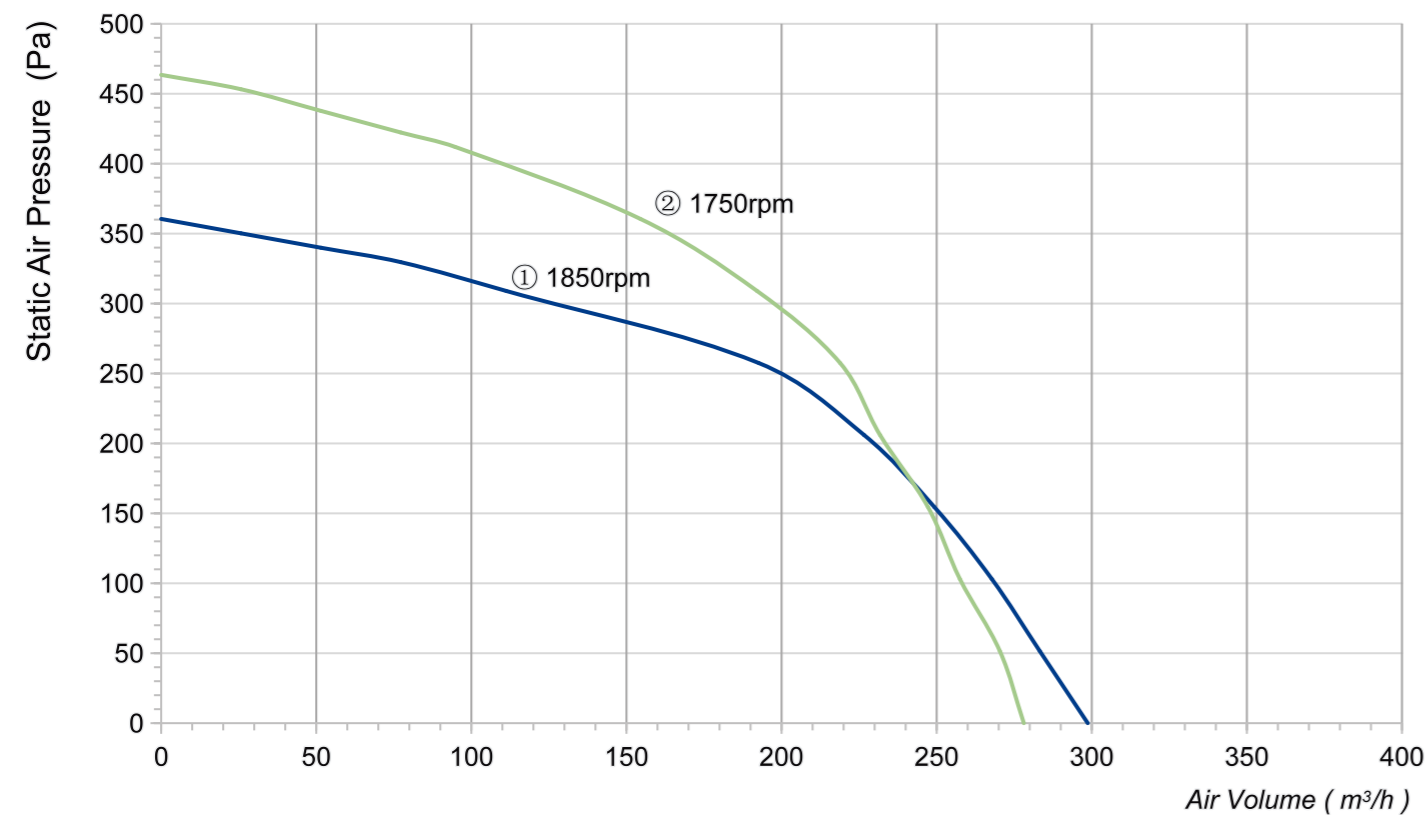
## Product Characteristic

- Material : Galvanised sheet steel
- Mode of operation: S1
- Type of operation: IP54
- Insulation class: F
- Bearing: Maintenance-free ball bearings
- Operation Temperature: -30~+60 C

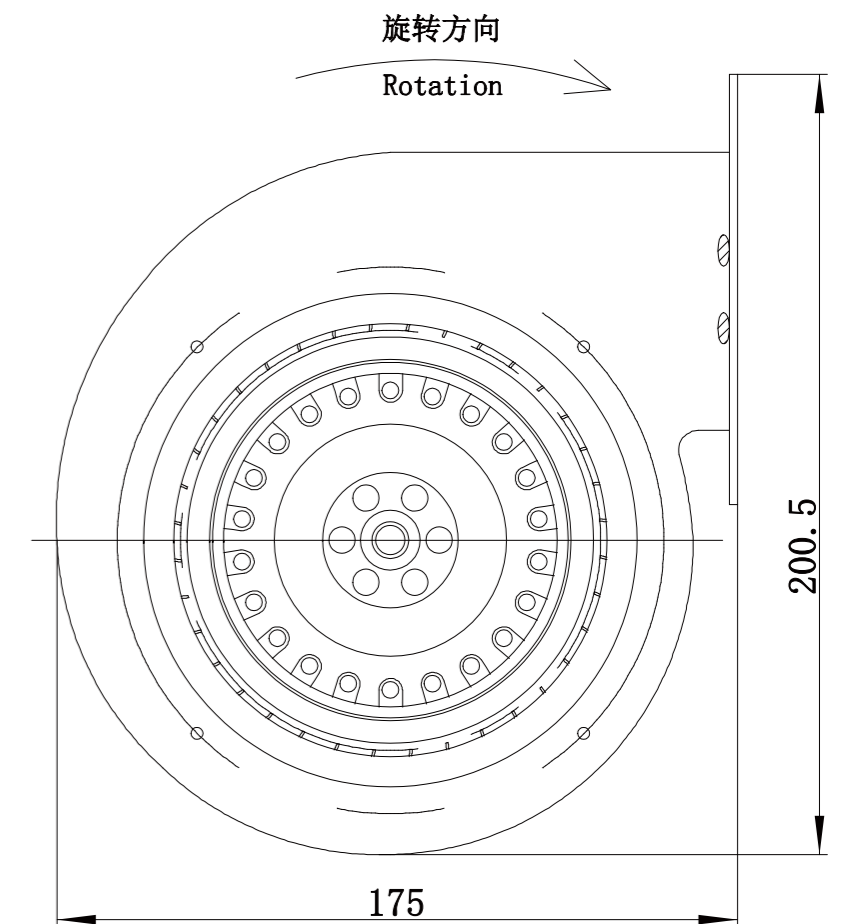
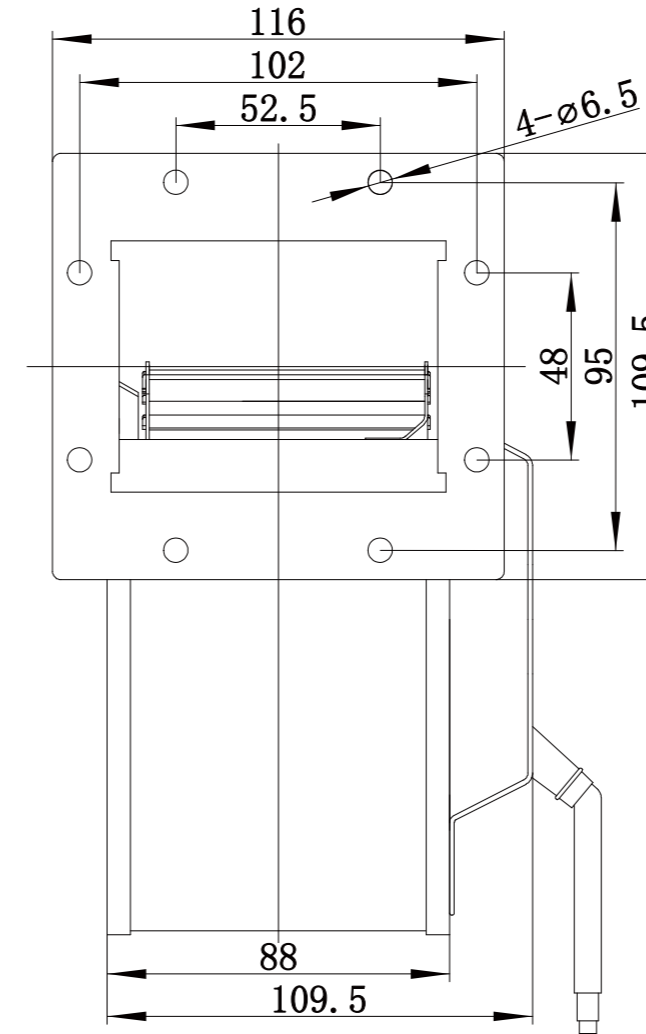


## Technical Specifications

| Model              | Voltage (V) | Frequency (Hz) | Power (W) | Current (A) | Speed (RPM) | Air Flow (m³/h) | Air Pressure (Pa) | Noise [dB(A)] | Capacitor | Curve |
|--------------------|-------------|----------------|-----------|-------------|-------------|-----------------|-------------------|---------------|-----------|-------|
| LWFA2E133-092SS-01 | 230         | 50             | 83        | 0.37        | 1850        | 299             | 361               | 61            | 2uF       | ①     |
| LWFA2E133-092SS-02 | 230         | 60             | 95        | 0.43        | 1750        | 278             | 464               | 63            | 2uF       | ②     |



## Product Drawing (mm)



# LWFA-133 Series

## Product Characteristic

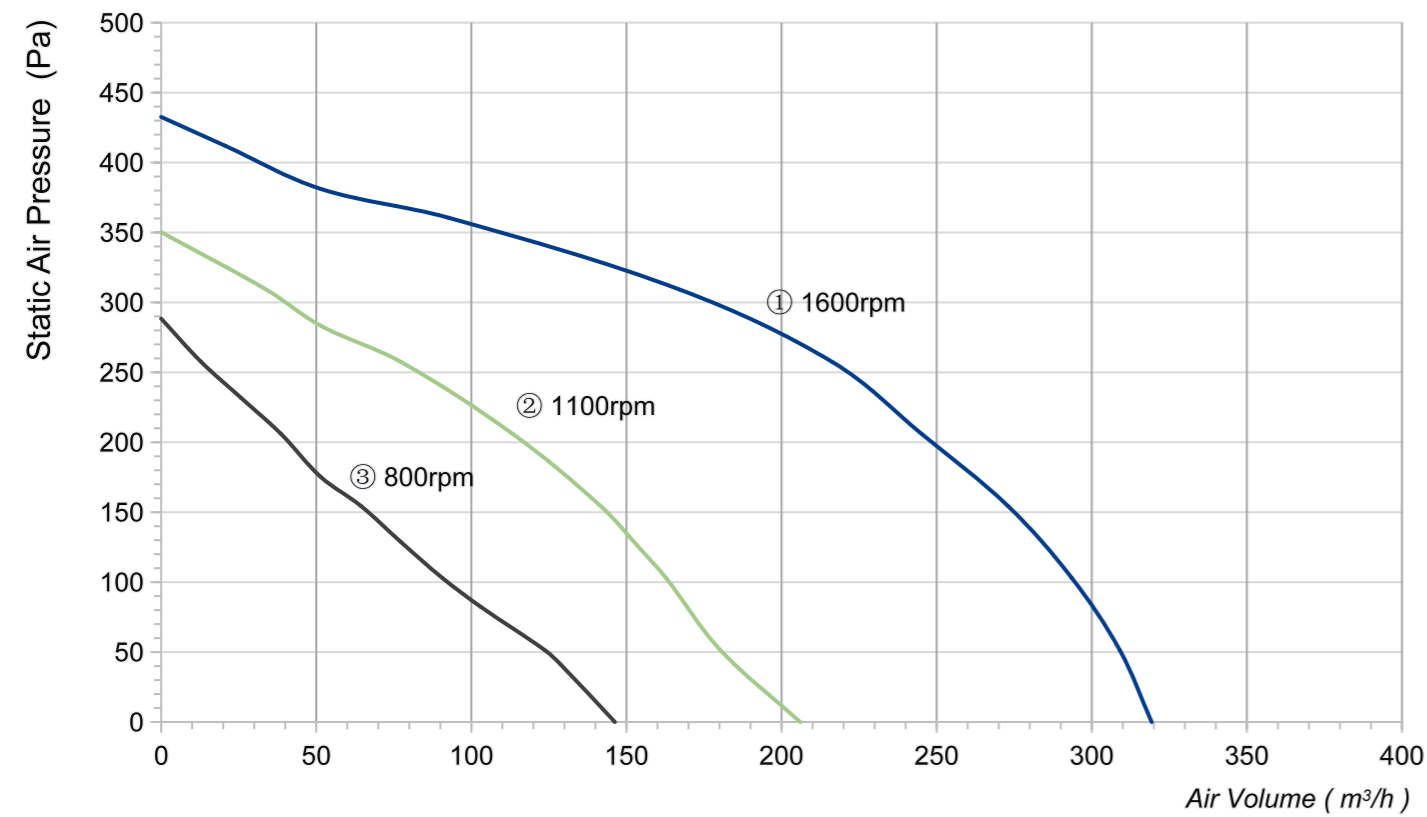
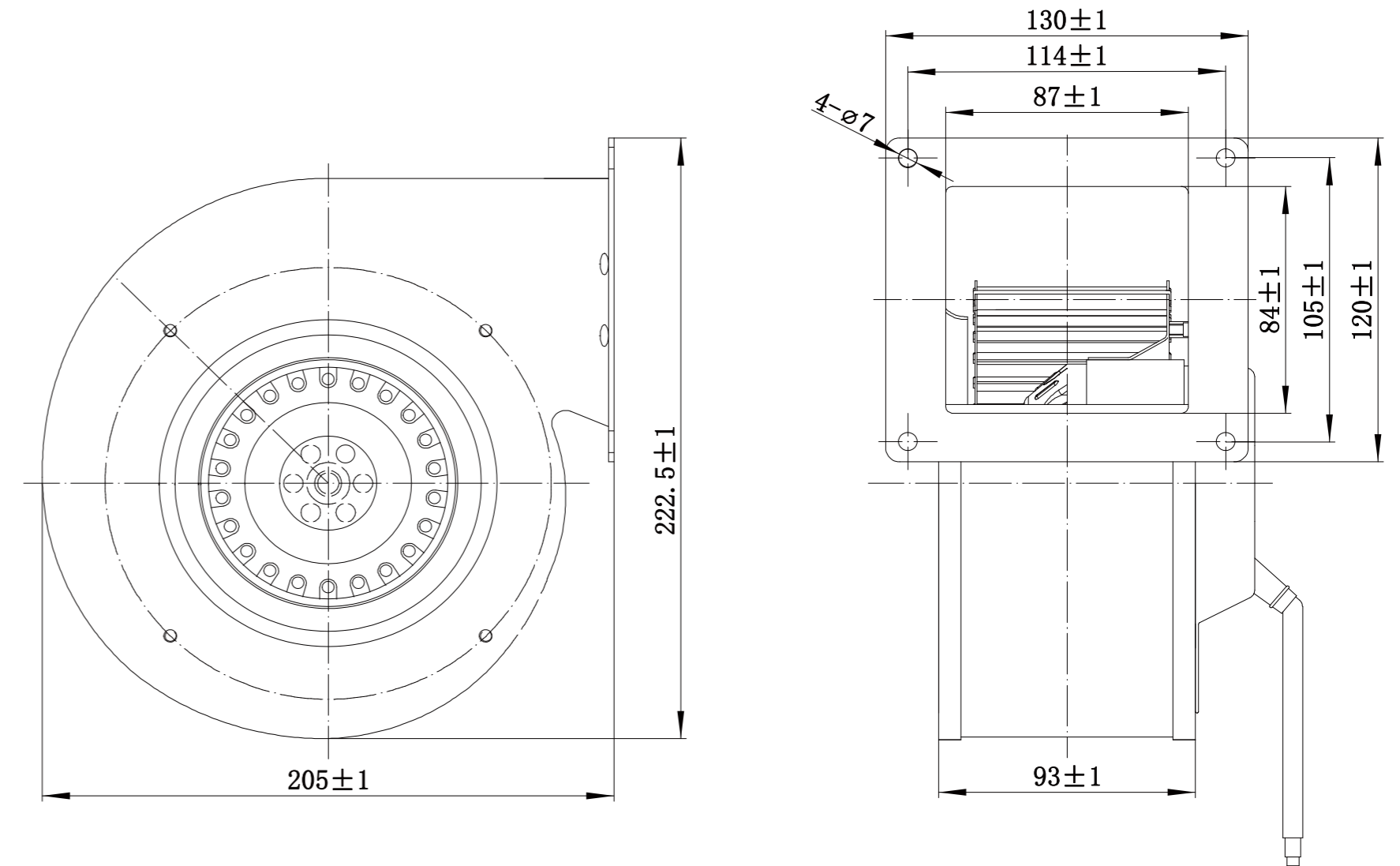
- Material : Plastic PA66
- Mode of operation: S1
- Type of operation: IP54
- Insulation class: F
- Bearing: Maintenance-free ball bearings
- Operation Temperature: -30~+60 C



## Technical Specifications

| Model              | Voltage (V) | Frequency (Hz) | Power (W) | Current (A) | Speed (RPM) | Air Flow (m³/h) | Air Pressure (Pa) | Noise [dB(A)] | Capacitor | Curve |
|--------------------|-------------|----------------|-----------|-------------|-------------|-----------------|-------------------|---------------|-----------|-------|
|                    |             |                | 85        | 0.38        | 1600        | 319             | 433               | 56            | 2uF       | ①     |
| LWFA2E133-092SS-03 | 230         | 50             | 60        | 0.28        | 1100        | 206             | 350               | 47            | 2uF       | ②     |
|                    |             |                | 50        | 0.25        | 800         | 146             | 288               | 40            | 2uF       | ③     |

## Product Drawing (mm)



# LWFA-140 Series

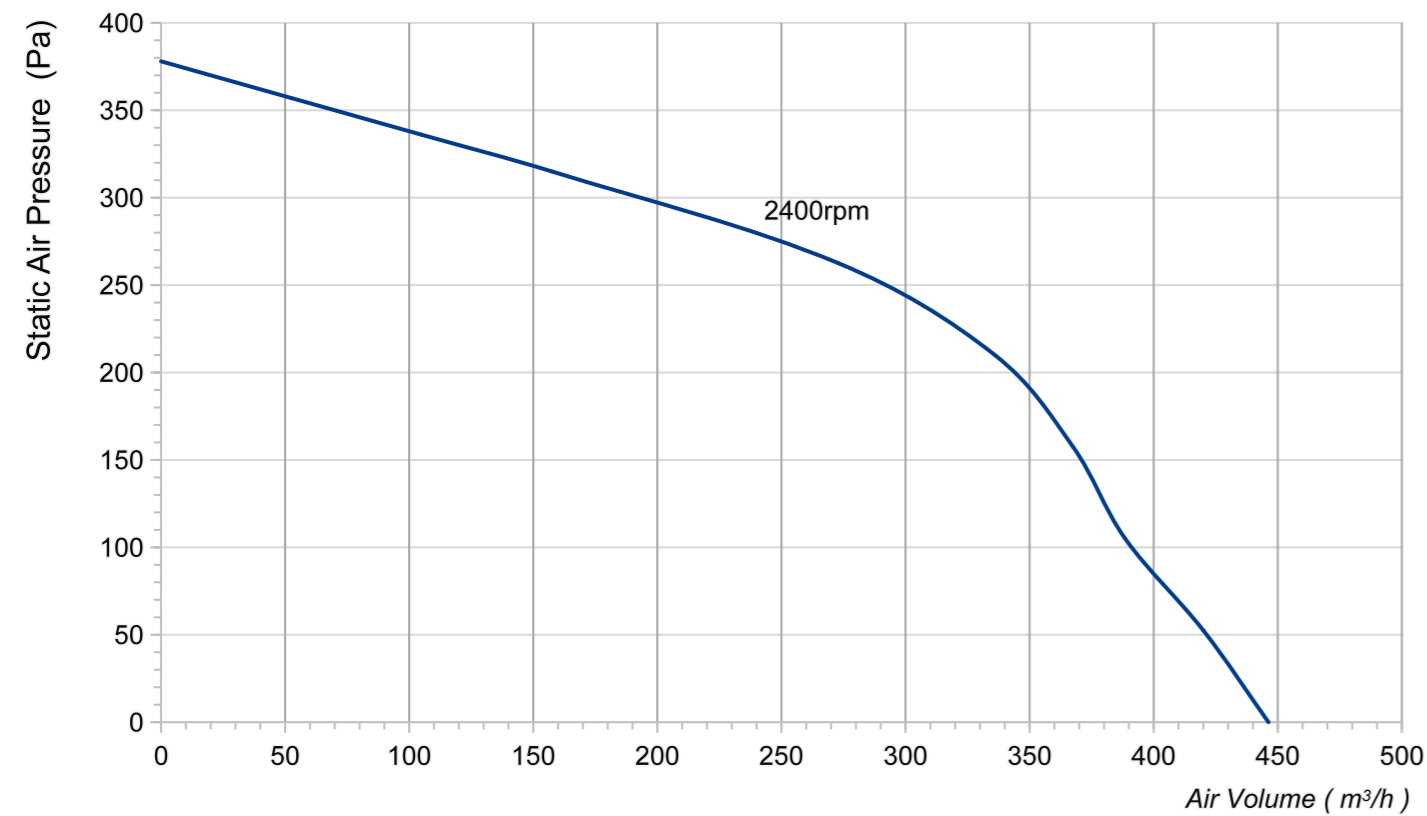
## Product Characteristic

- Material : Galvanised sheet steel
- Mode of operation: S1
- Type of operation: IP54
- Insulation class: F
- Bearing: Maintenance-free ball bearings
- Operation Temperature: -30~+60 C

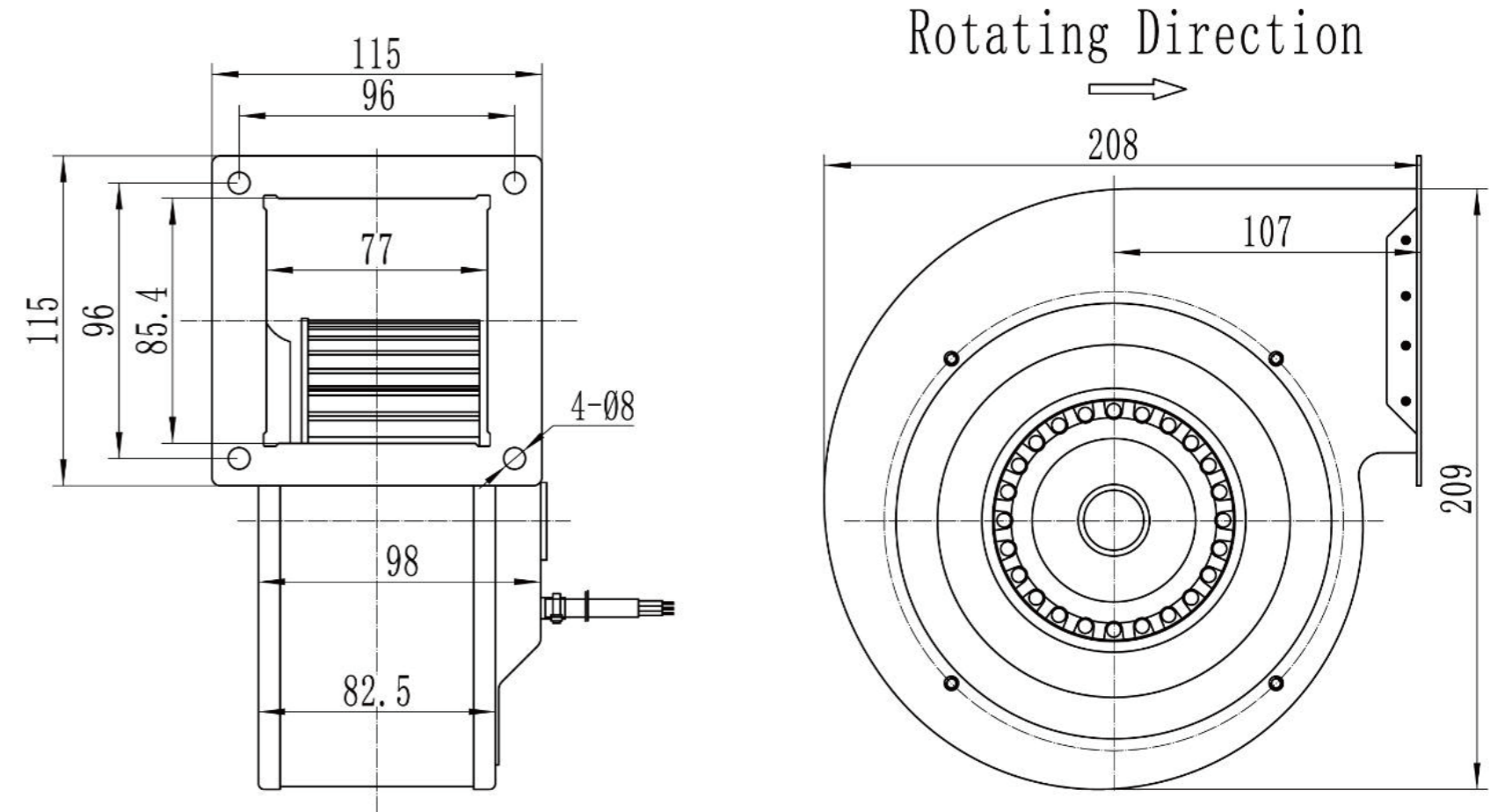


## Technical Specifications

| Model              | Voltage (V) | Frequency (Hz) | Power (W) | Current (A) | Speed (RPM) | Air Flow (m³/h) | Air Pressure (Pa) | Noise [dB(A)] | Capacitor | Curve |
|--------------------|-------------|----------------|-----------|-------------|-------------|-----------------|-------------------|---------------|-----------|-------|
| LWFA2E140-092SS-01 | 230         | 50             | 148       | 0.67        | 2400        | 446             | 378               | 65            | 5uF       | /     |



## Product Drawing (mm)



# LWFA-140 Series

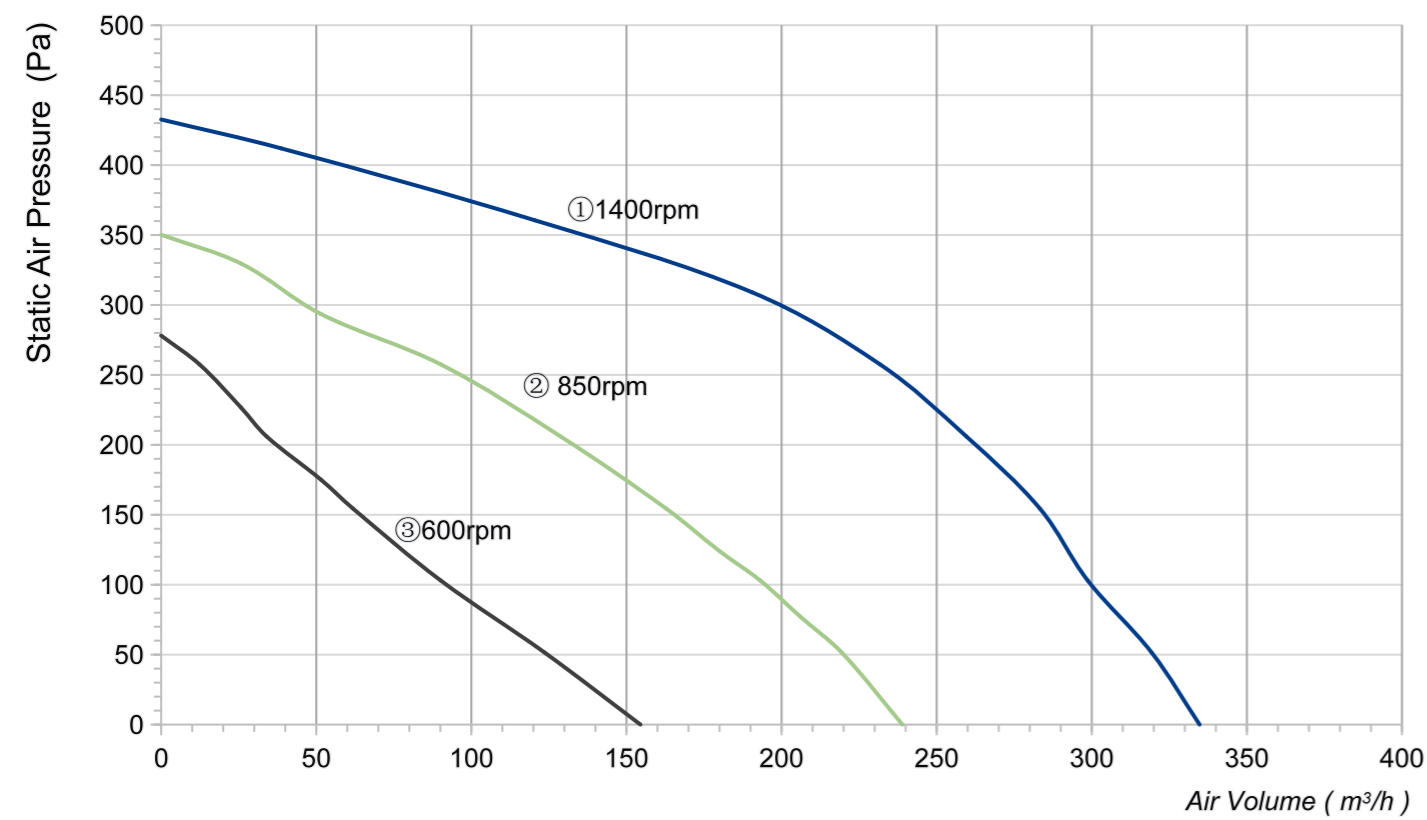
## Product Characteristic

- Material : Plastic PA66
- Mode of operation: S1
- Type of operation: IP54
- Insulation class: F
- Bearing: Maintenance-free ball bearings
- Operation Temperature: -30~+60 C

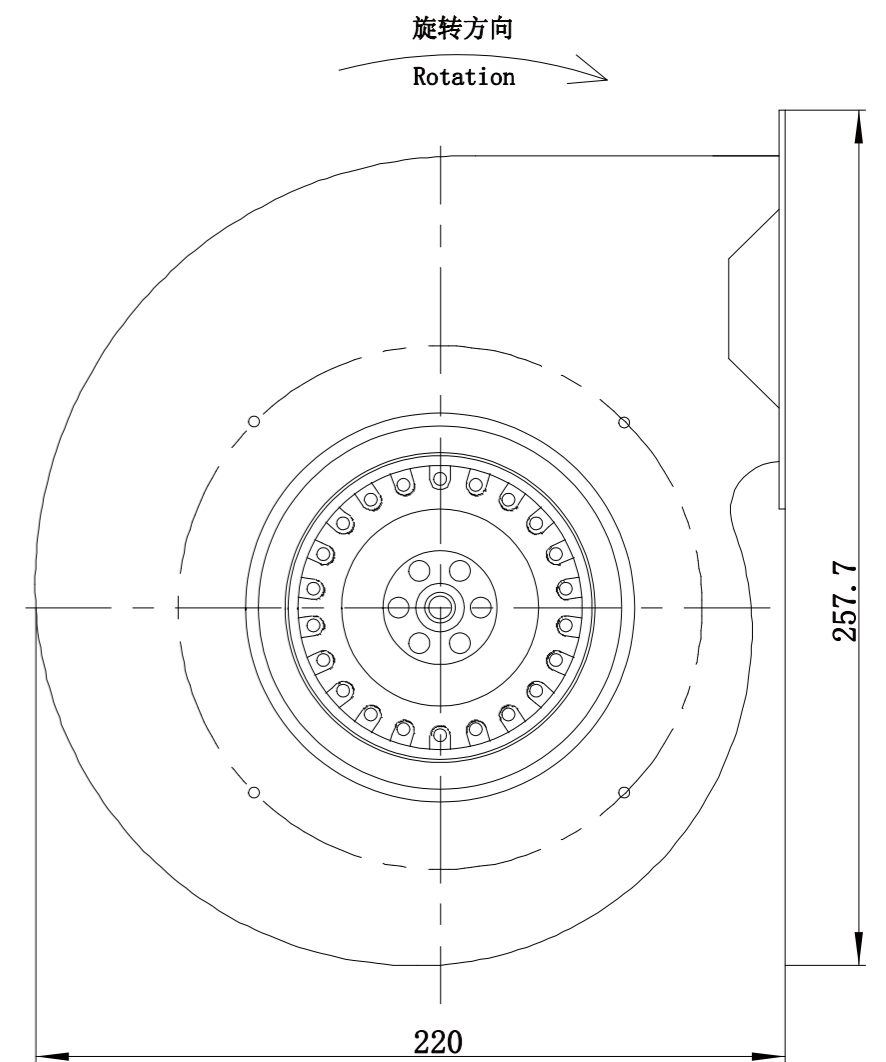
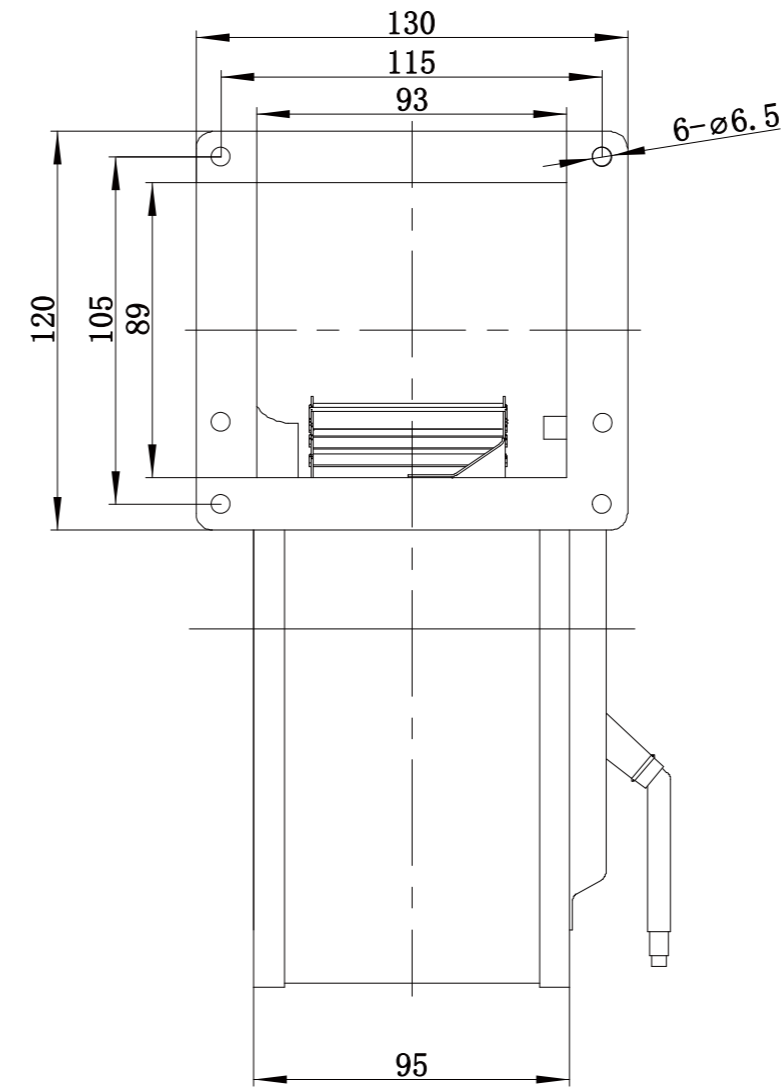


## Technical Specifications

| Model              | Voltage (V) | Frequency (Hz) | Power (W) | Current (A) | Speed (RPM) | Air Flow (m³/h) | Air Pressure (Pa) | Noise [dB(A)] | Capacitor | Curve |
|--------------------|-------------|----------------|-----------|-------------|-------------|-----------------|-------------------|---------------|-----------|-------|
|                    |             |                | 90        | 0.4         | 1400        | 335             | 433               | 52            | 2uF       | ①     |
| LWFA2E140-092SS-02 | 230         | 50             | 60        | 0.3         | 850         | 239             | 350               | 40            | 2uF       | ②     |
|                    |             |                | 50        | 0.25        | 600         | 155             | 278               | 32            | 2uF       | ③     |



## Product Drawing (mm)



# LWFA-150 Series

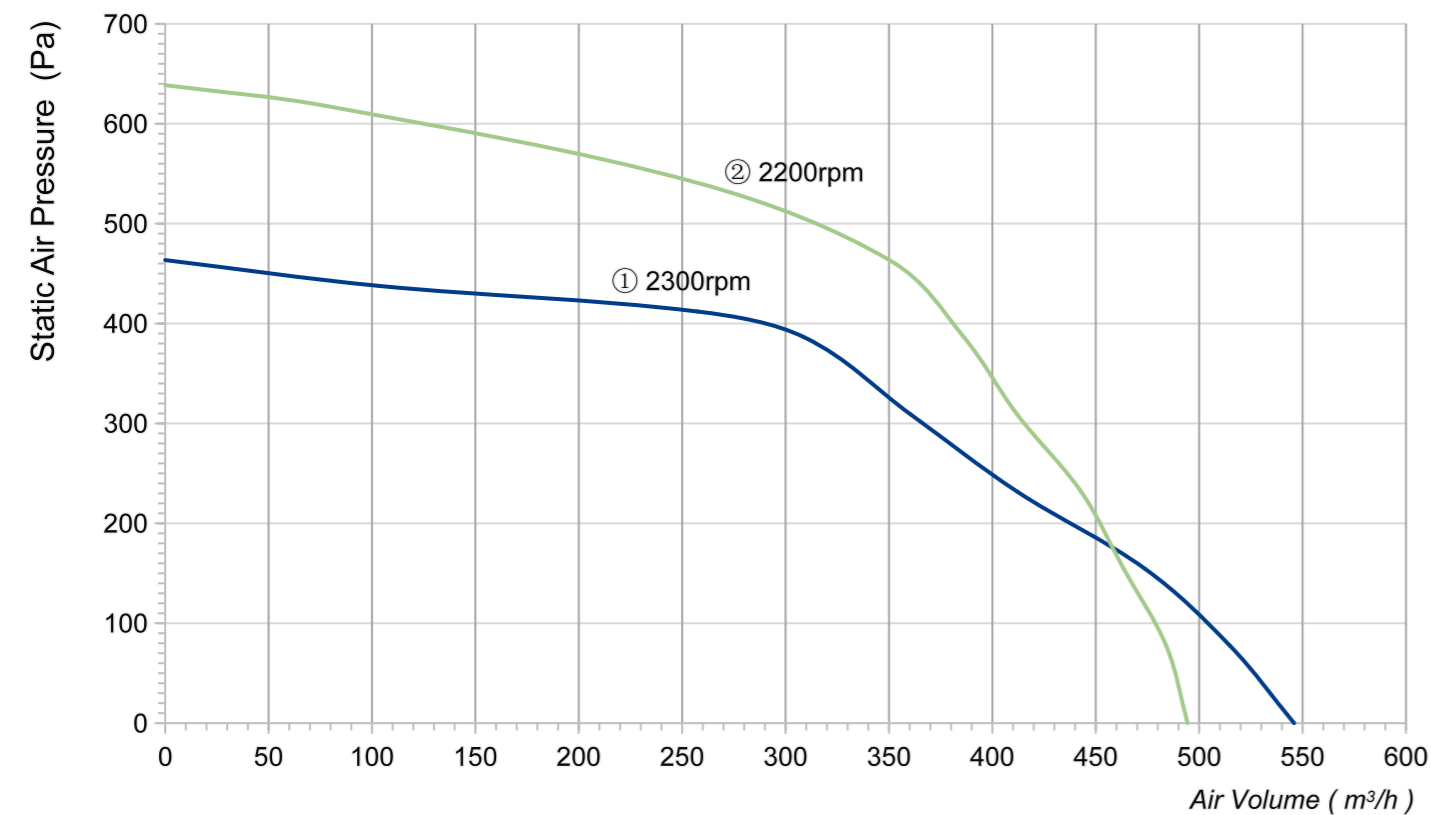
## Product Characteristic

- Material : Galvanised sheet steel
- Mode of operation: S1
- Type of operation: IP54
- Insulation class: F
- Bearing: Maintenance-free ball bearings
- Operation Temperature: -30~+60 C

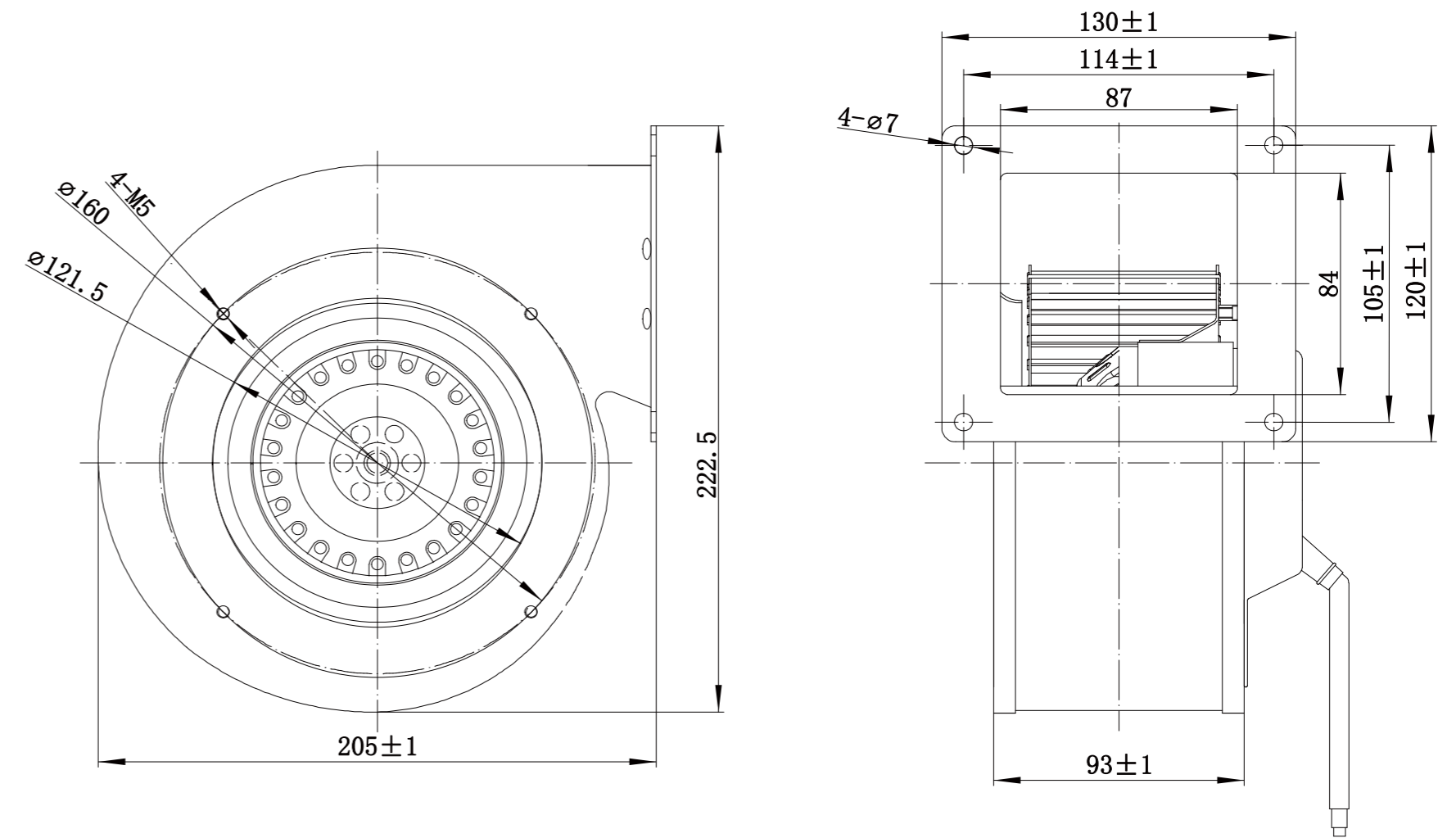


## Technical Specifications

| Model              | Voltage (V) | Frequency (Hz) | Power (W) | Current (A) | Speed (RPM) | Air Flow (m³/h) | Air Pressure (Pa) | Noise [dB(A)] | Capacitor | Curve |
|--------------------|-------------|----------------|-----------|-------------|-------------|-----------------|-------------------|---------------|-----------|-------|
| LWFA2E150-092SS-01 | 230         | 50             | 183       | 0.83        | 2300        | 546             | 464               | 63            | 4uF       | ①     |
| LWFA2E150-092SS-02 | 230         | 60             | 230       | 1.04        | 2200        | 494             | 639               | 68            | 4uF       | ②     |



## Product Drawing (mm)



# LWFA-153 Series

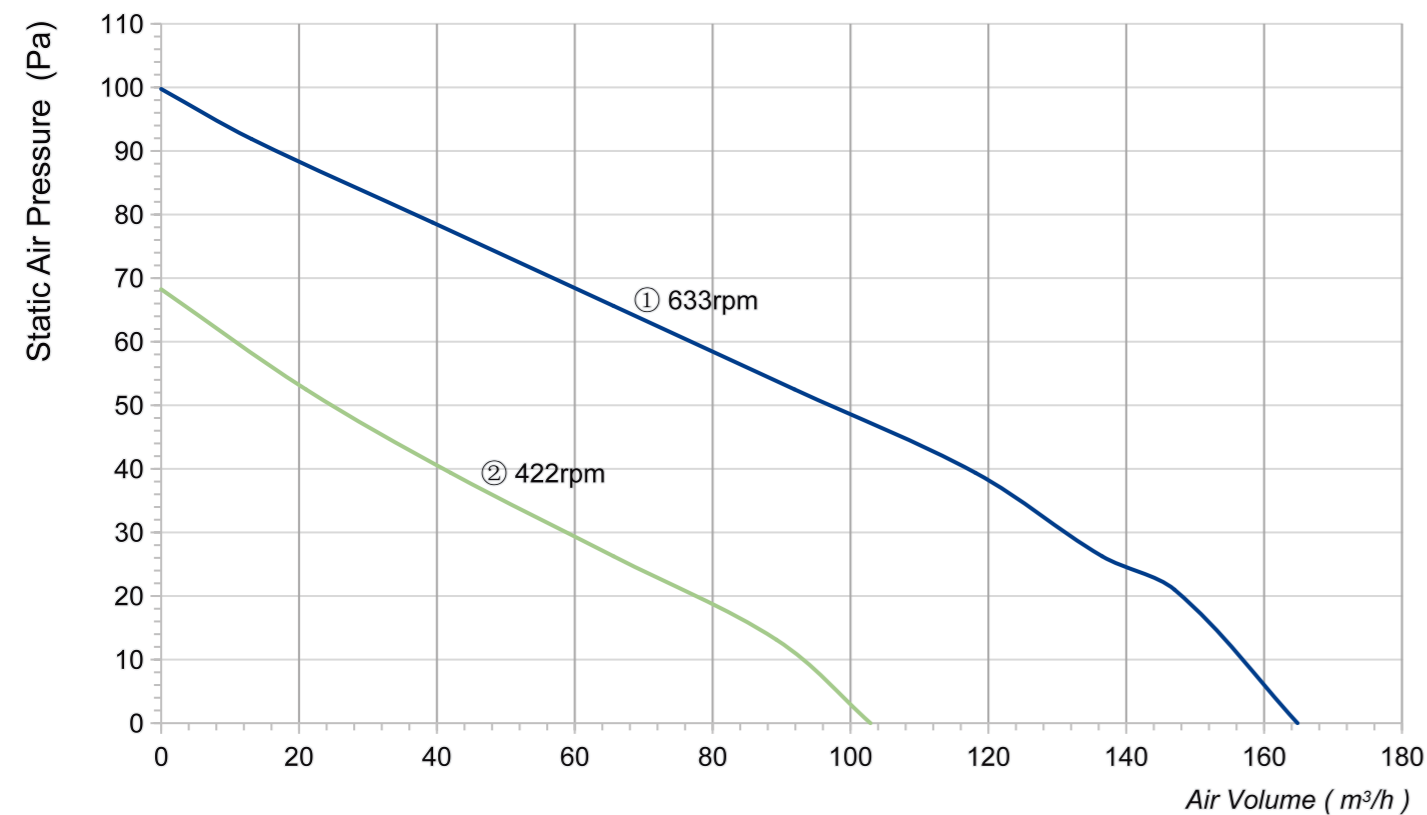
## Product Characteristic

- Material : Plastic PA66
- Mode of operation: S1
- Type of operation: IP54
- Insulation class: F
- Bearing: Maintenance-free ball bearings
- Operation Temperature: -30~+60 C

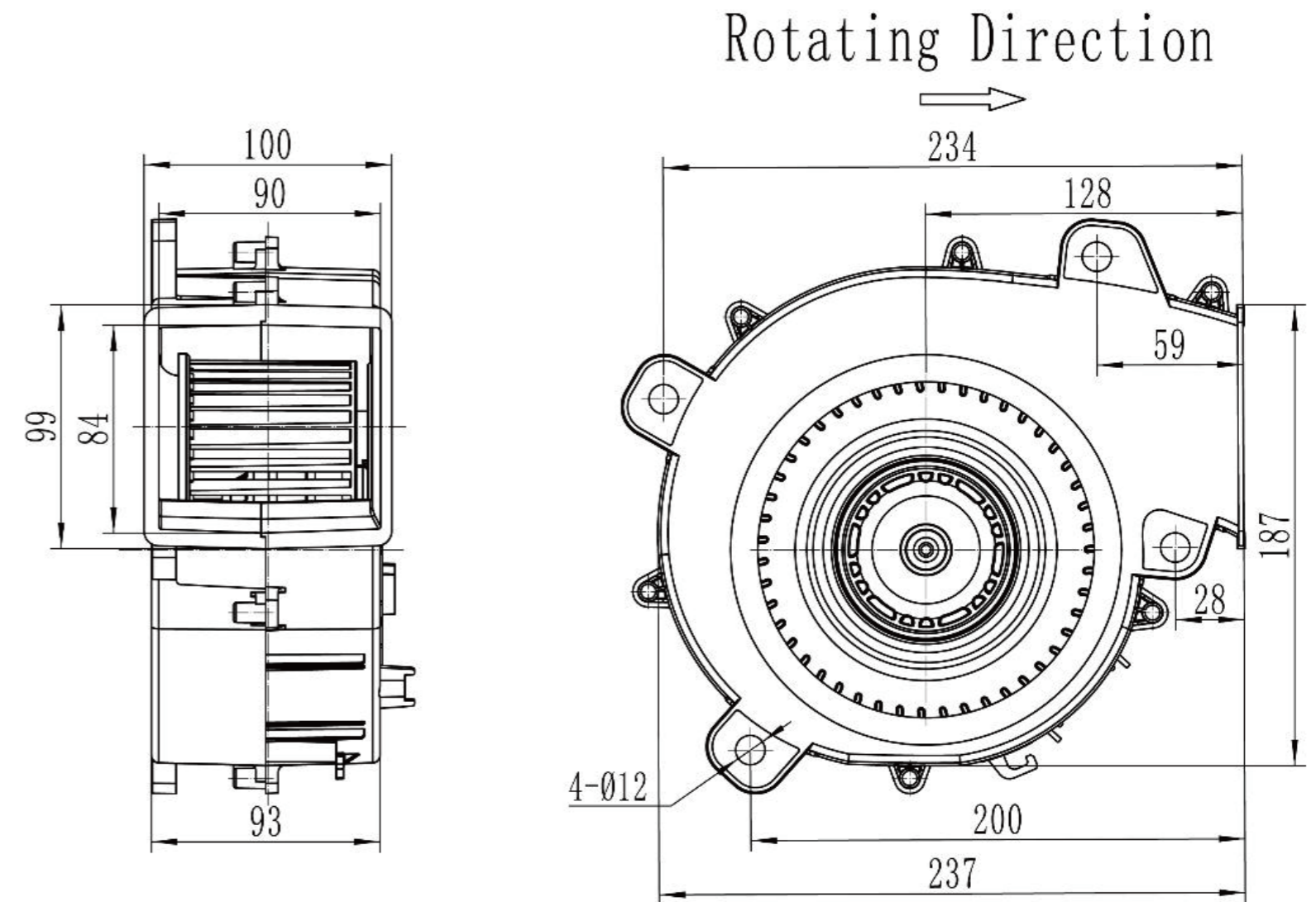


## Technical Specifications

| Model              | Voltage (V) | Frequency (Hz) | Power (W) | Current (A) | Speed (RPM) | Air Flow (m³/h) | Air Pressure (Pa) | Noise [dB(A)] | Capacitor | Curve |
|--------------------|-------------|----------------|-----------|-------------|-------------|-----------------|-------------------|---------------|-----------|-------|
| LWFA8E153-072SS-01 | 230         | 50             | 28        | 0.12        | 630         | 165             | 100               | /             | 0.6uF     | ①     |
|                    |             |                | 22        | 0.1         | 422         | 103             | 68                | /             | 0.6uF     | ②     |



## Product Drawing (mm)



# LWFA-160 Series

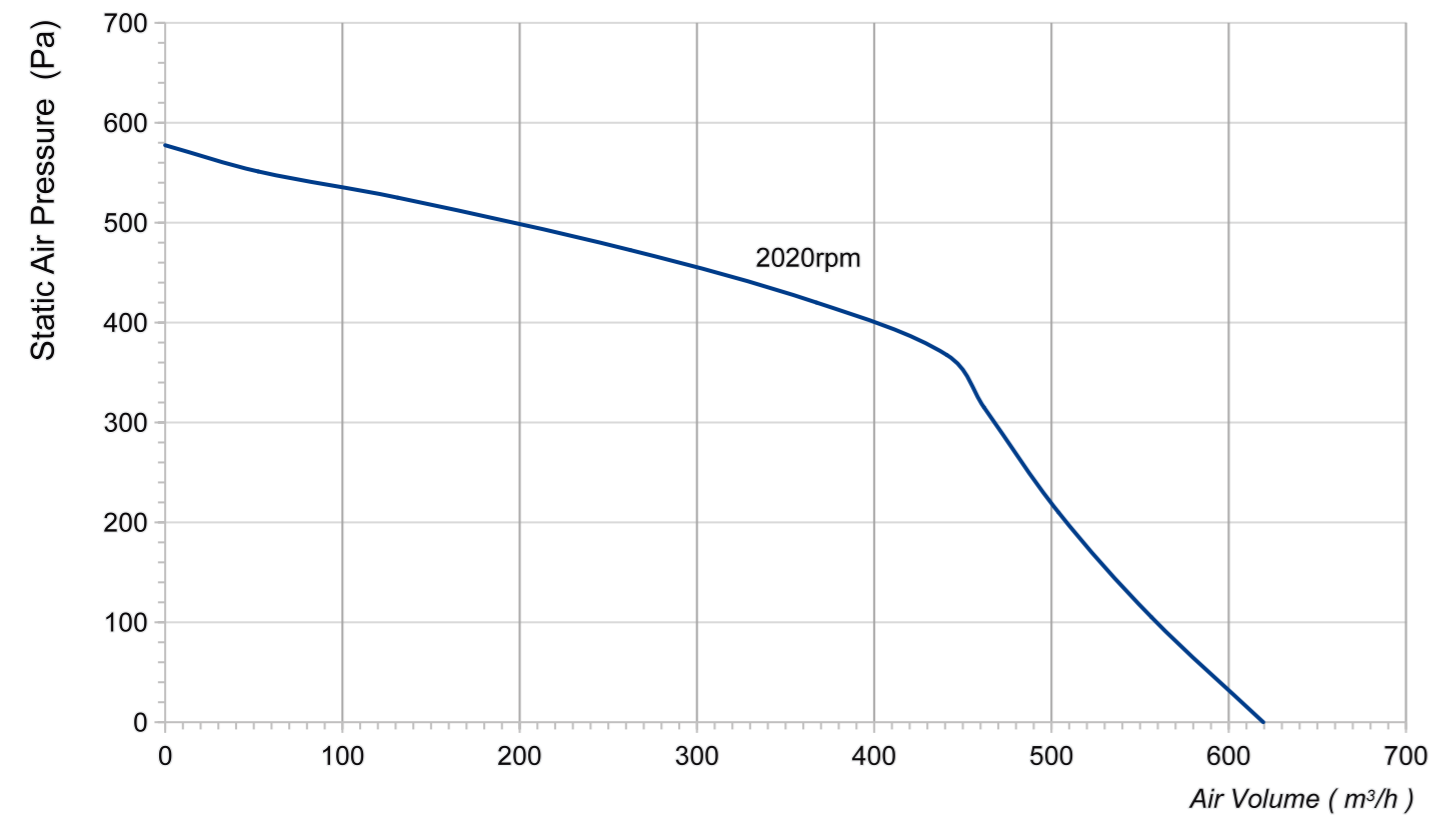
## Product Characteristic

- Material : Galvanised sheet steel
- Mode of operation: S1
- Type of operation: IP54
- Insulation class: F
- Bearing: Maintenance-free ball bearings
- Operation Temperature: -30~+60 C

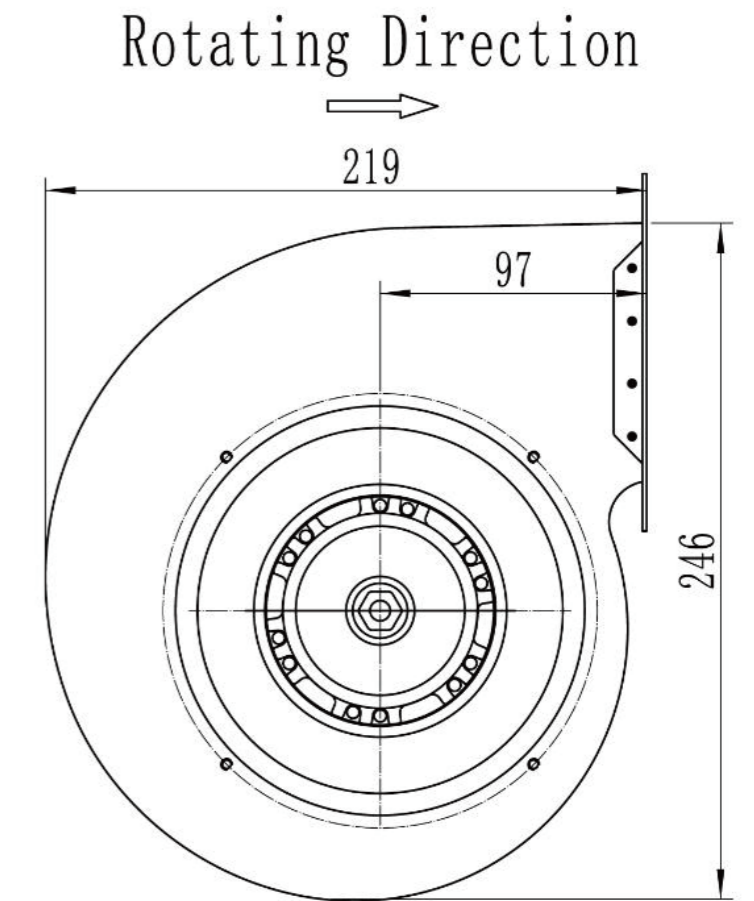
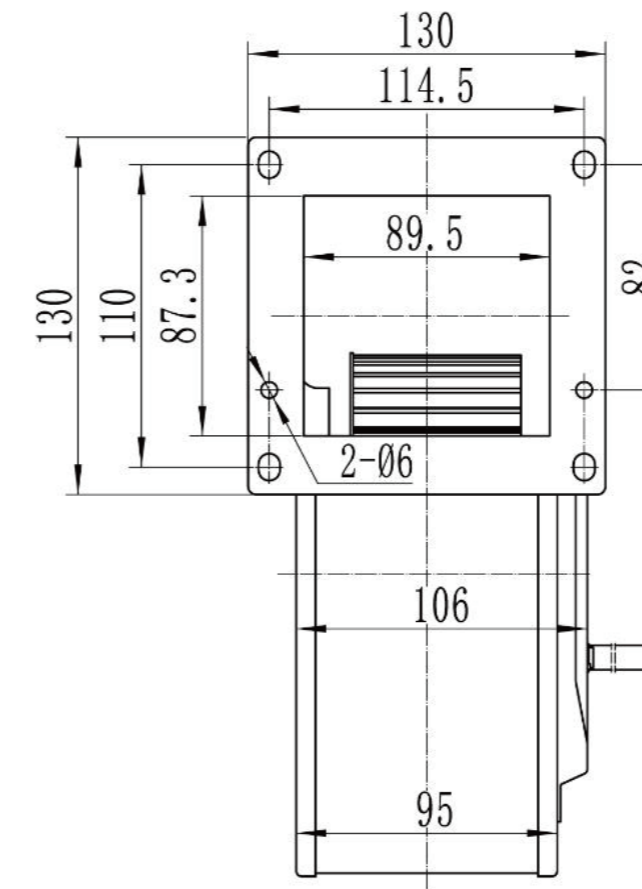


## Technical Specifications

| Model              | Voltage (V) | Frequency (Hz) | Power (W) | Current (A) | Speed (RPM) | Air Flow (m³/h) | Air Pressure (Pa) | Noise [dB(A)] | Capacitor | Curve |
|--------------------|-------------|----------------|-----------|-------------|-------------|-----------------|-------------------|---------------|-----------|-------|
| LWFA2E160-092SS-01 | 230         | 50             | 222       | 1.01        | 2020        | 620             | 578               | 65            | 6uF       | /     |



## Product Drawing (mm)



# LWFA-160 Series

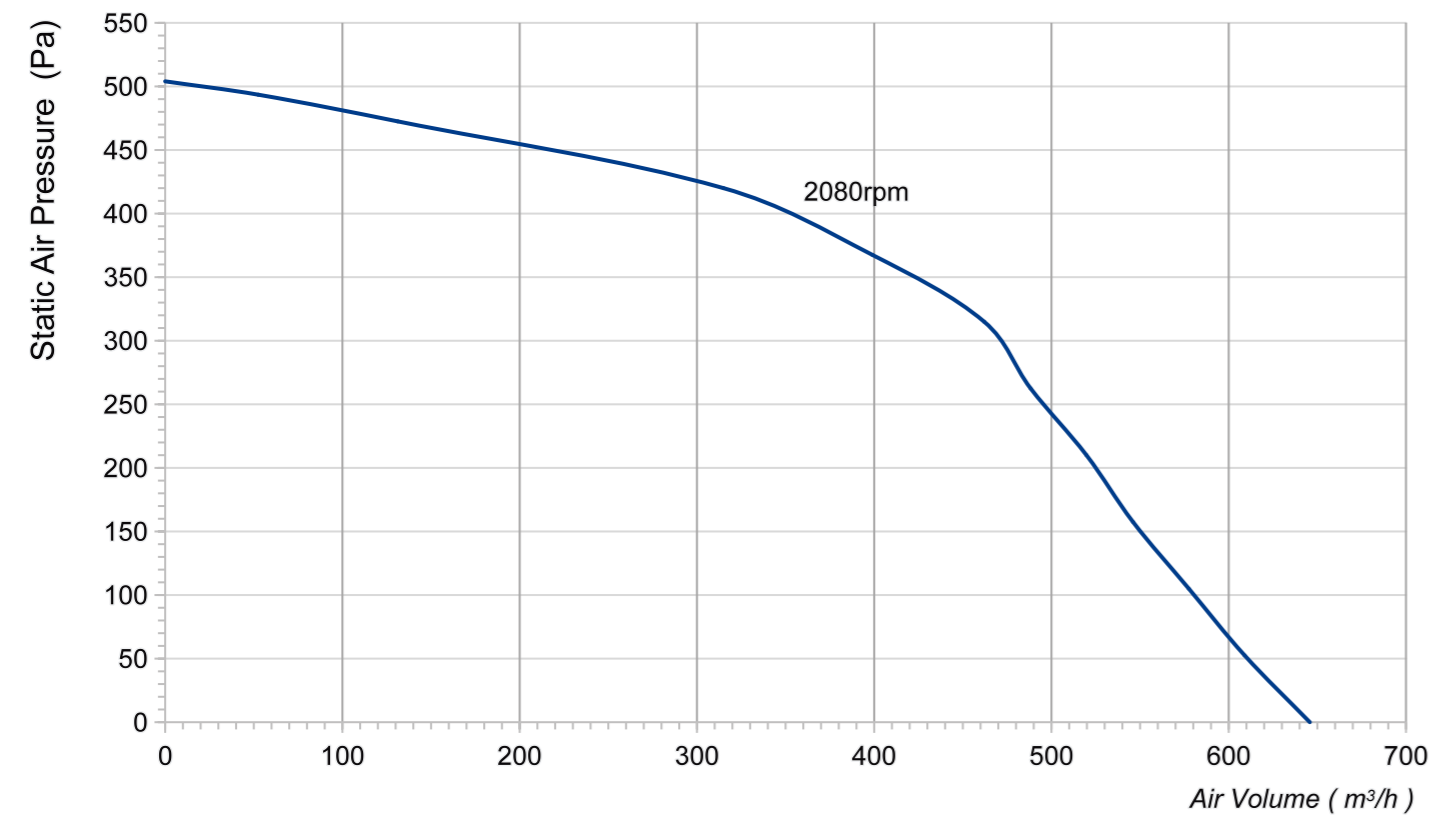
## Product Characteristic

- Material : Galvanised sheet steel
- Mode of operation: S1
- Type of operation: IP54
- Insulation class: F
- Bearing: Maintenance-free ball bearings
- Operation Temperature: -30~+60 C

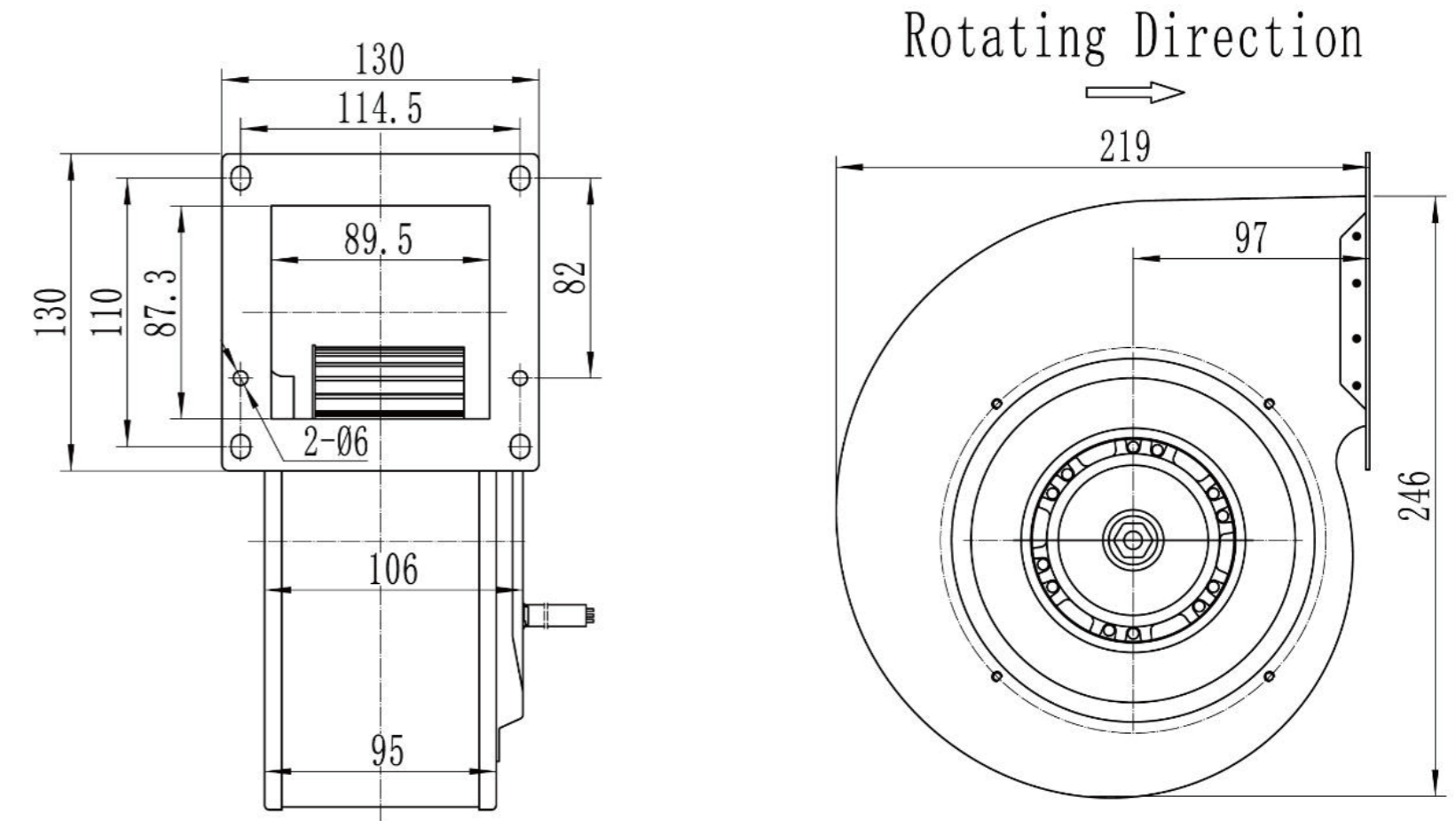


## Technical Specifications

| Model              | Voltage (V) | Frequency (Hz) | Power (W) | Current (A) | Speed (RPM) | Air Flow (m³/h) | Air Pressure (Pa) | Noise [dB(A)] | Capacitor | Curve |
|--------------------|-------------|----------------|-----------|-------------|-------------|-----------------|-------------------|---------------|-----------|-------|
| LWFA2D160-092ST-02 | 380         | 50             | 237       | 0.45        | 2080        | 646             | 504               | 66            | /         | /     |



## Product Drawing (mm)



# LWFA-160 Series

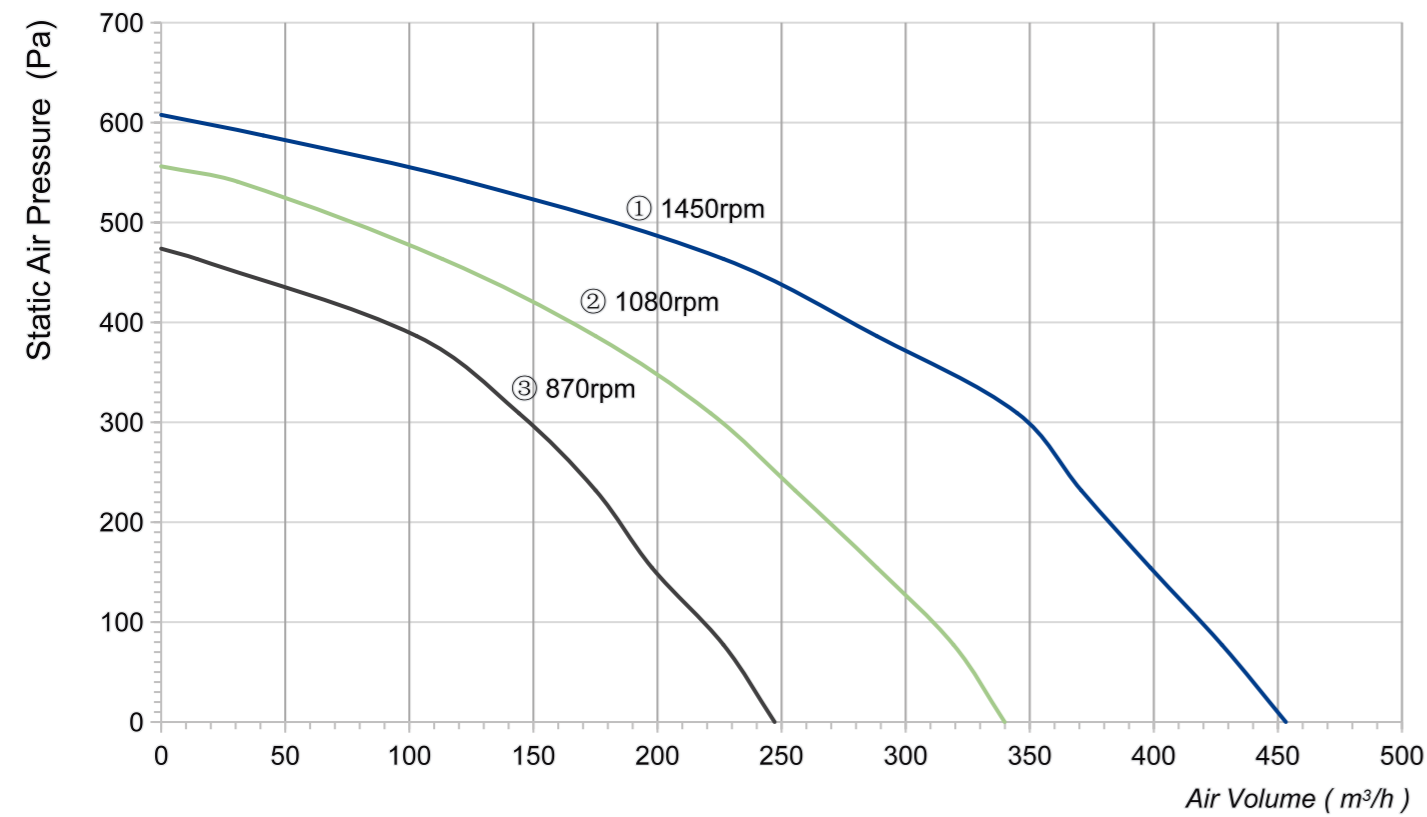
## Product Characteristic

- Material : Plastic PA66
- Mode of operation: S1
- Type of operation: IP54
- Insulation class: F
- Bearing: Maintenance-free ball bearings
- Operation Temperature: -30~+60 C

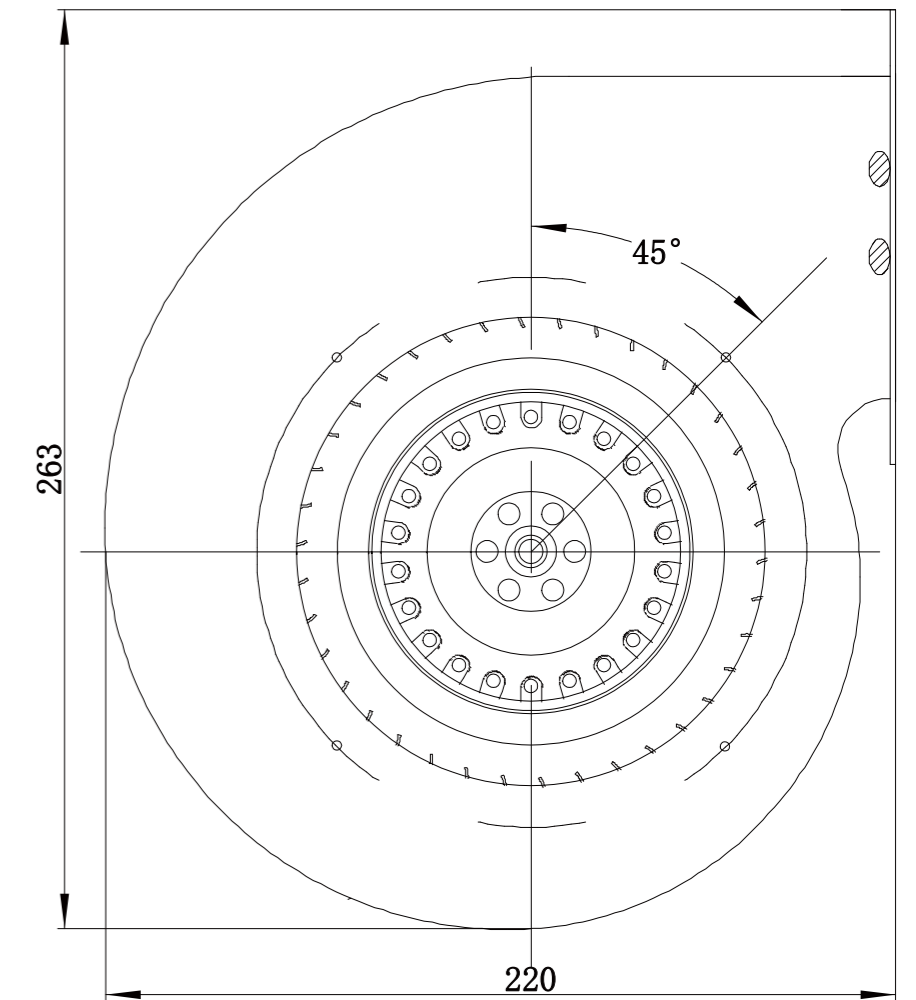
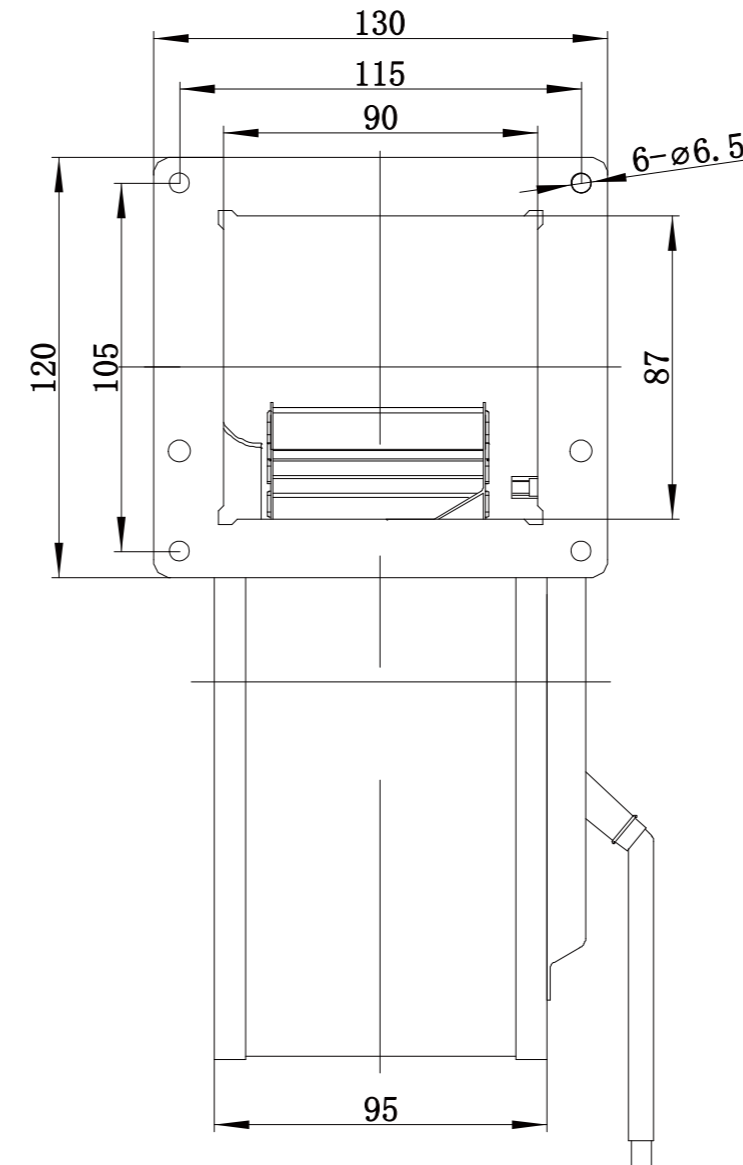


## Technical Specifications

| Model              | Voltage (V) | Frequency (Hz) | Power (W) | Current (A) | Speed (RPM) | Air Flow (m³/h) | Air Pressure (Pa) | Noise [dB(A)] | Capacitor | Curve |
|--------------------|-------------|----------------|-----------|-------------|-------------|-----------------|-------------------|---------------|-----------|-------|
|                    |             |                | 150       | 0.67        | 1450        | 453             | 608               | 57            | 3.5uF     | ①     |
| LWFA2E160-092SS-03 | 230         | 50             | 120       | 0.55        | 1080        | 340             | 556               | 49            | 3.5uF     | ②     |
|                    |             |                | 100       | 0.47        | 870         | 247             | 474               | 43            | 3.5uF     | ③     |



## Product Drawing (mm)



# LWFA-160 Series

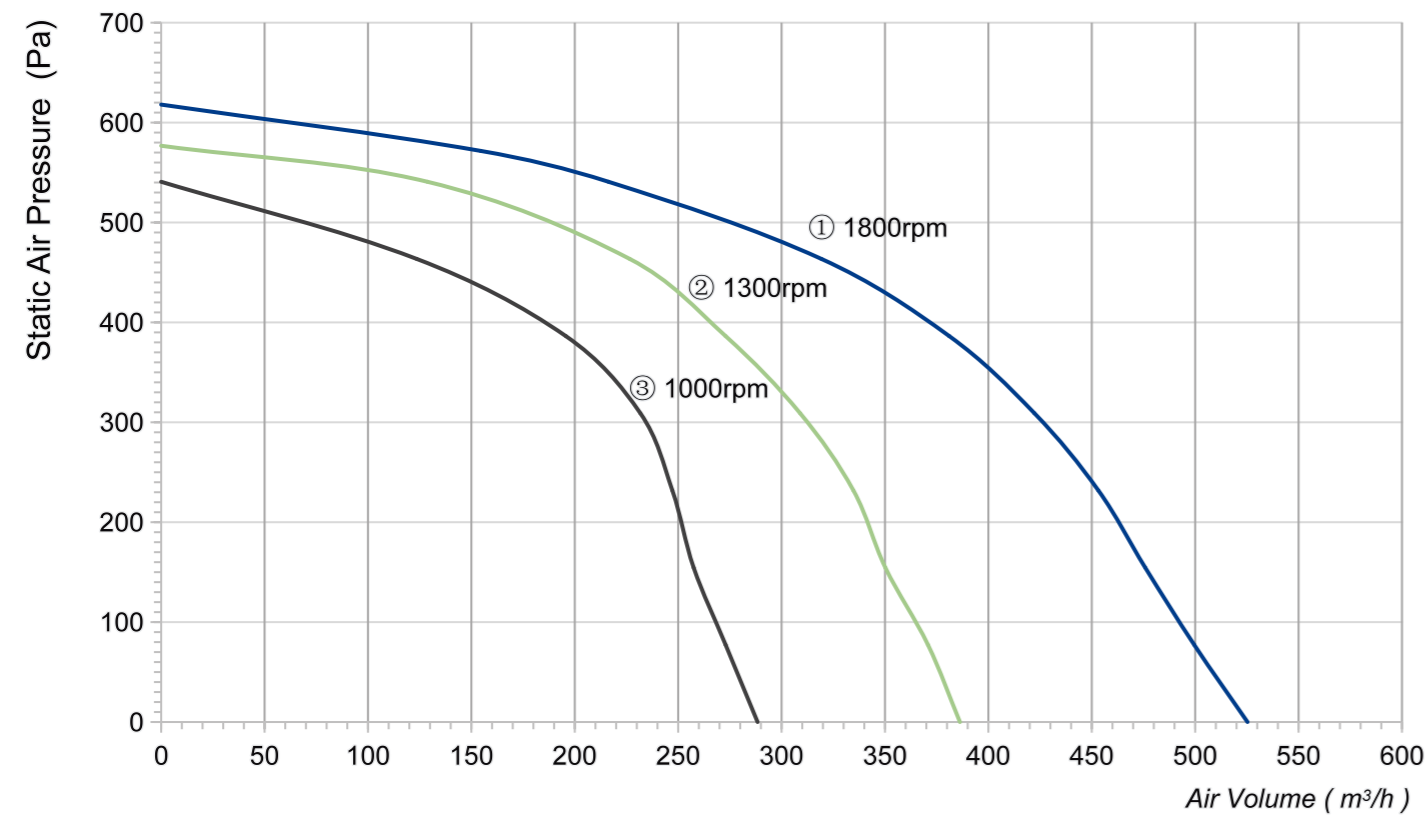
## Product Characteristic

- Material : Plastic PA66
- Mode of operation: S1
- Type of operation: IP54
- Insulation class: F
- Bearing: Maintenance-free ball bearings
- Operation Temperature: -30~+60 C

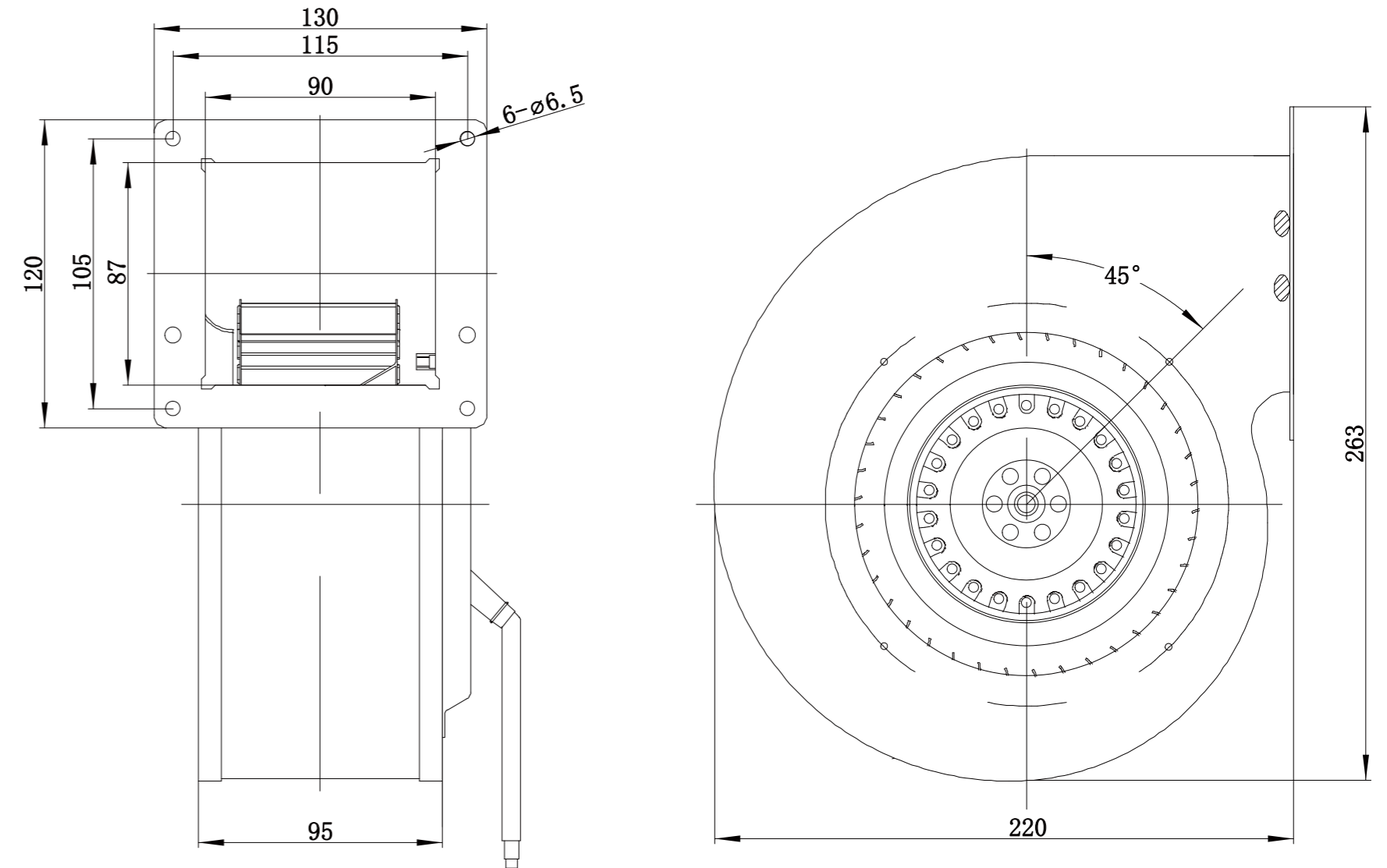


## Technical Specifications

| Model              | Voltage (V) | Frequency (Hz) | Power (W) | Current (A) | Speed (RPM) | Air Flow (m³/h) | Air Pressure (Pa) | Noise [dB(A)] | Capacitor | Curve |
|--------------------|-------------|----------------|-----------|-------------|-------------|-----------------|-------------------|---------------|-----------|-------|
|                    |             |                | 220       | 1           | 1800        | 525             | 618               | 61            | 4uF       | ①     |
| LWFA2E160-092SS-04 | 230         | 50             | 190       | 0.9         | 1300        | 386             | 577               | 54            | 4uF       | ②     |
|                    |             |                | 160       | 0.75        | 1000        | 288             | 541               | 47            | 4uF       | ③     |



## Product Drawing (mm)



# LWFA-180 Series

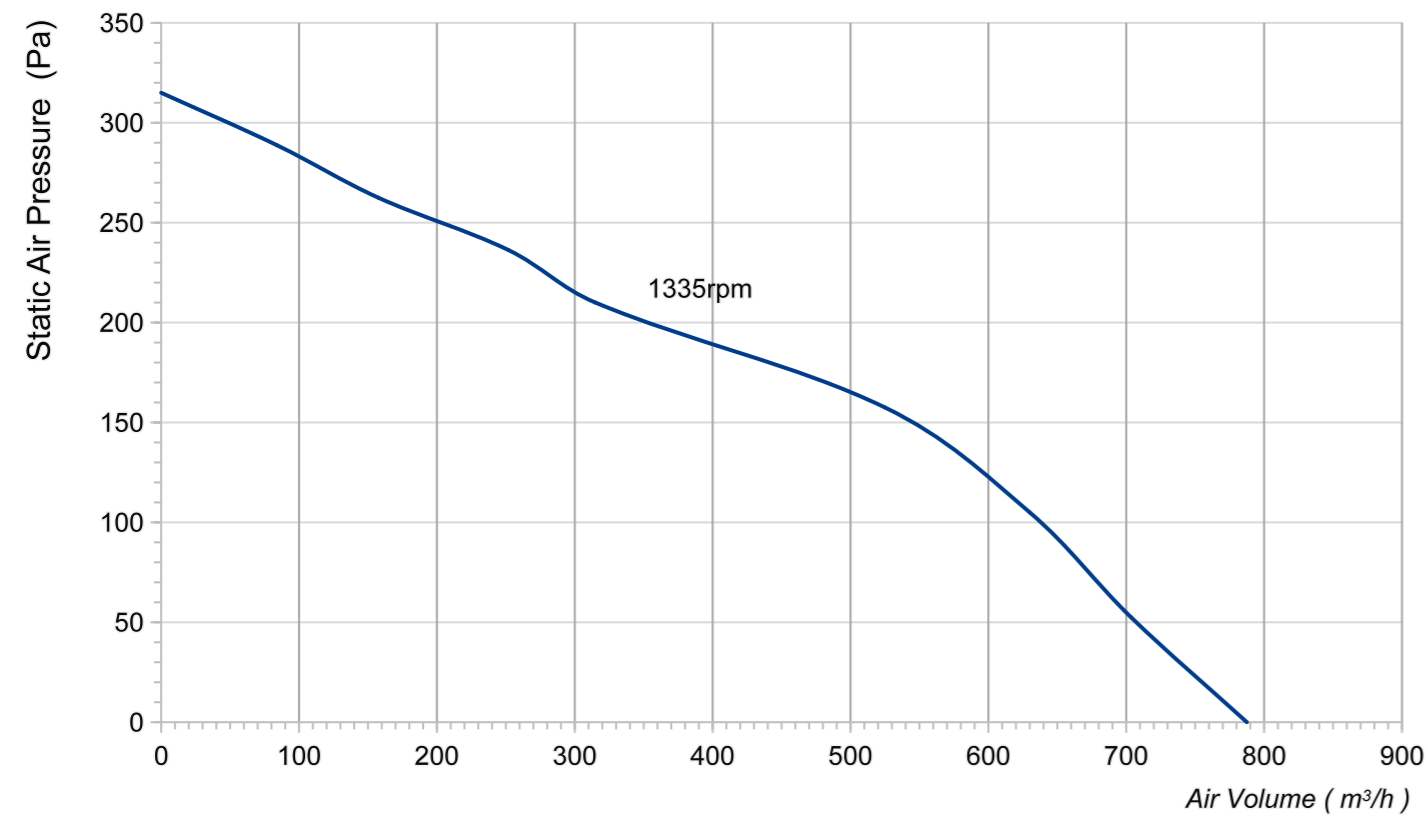
## Product Characteristic

- Material : Galvanised sheet steel
- Mode of operation: S1
- Type of operation: IP54
- Insulation class: F
- Bearing: Maintenance-free ball bearings
- Operation Temperature: -30~+60 C

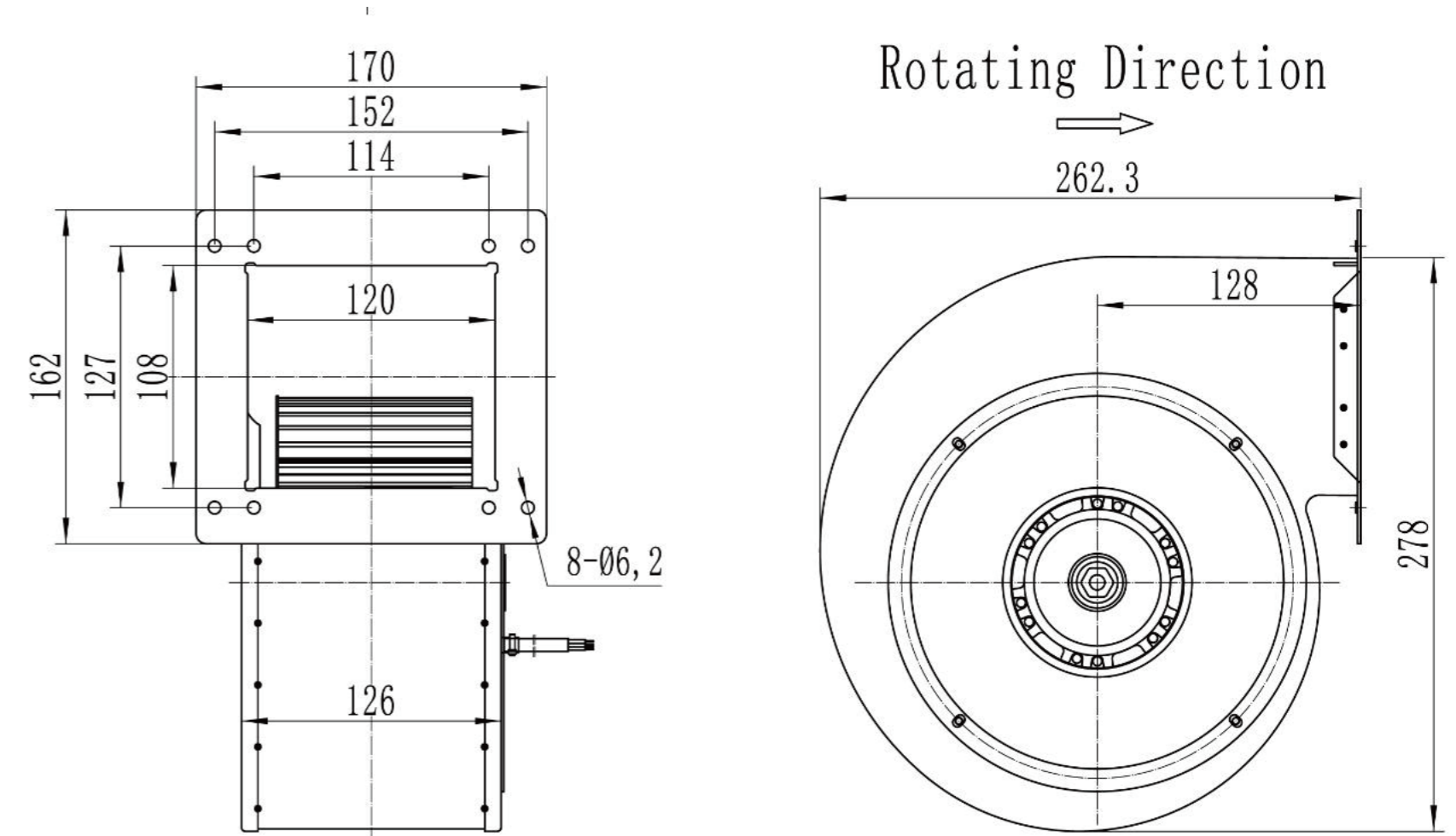


## Technical Specifications

| Model              | Voltage (V) | Frequency (Hz) | Power (W) | Current (A) | Speed (RPM) | Air Flow (m³/h) | Air Pressure (Pa) | Noise [dB(A)] | Capacitor | Curve |
|--------------------|-------------|----------------|-----------|-------------|-------------|-----------------|-------------------|---------------|-----------|-------|
| LWFA4E180-092SS-01 | 230         | 50             | 137       | 0.59        | 1335        | 788             | 315               | 63            | 5uF       | /     |



## Product Drawing (mm)



# LWFA-180 Series

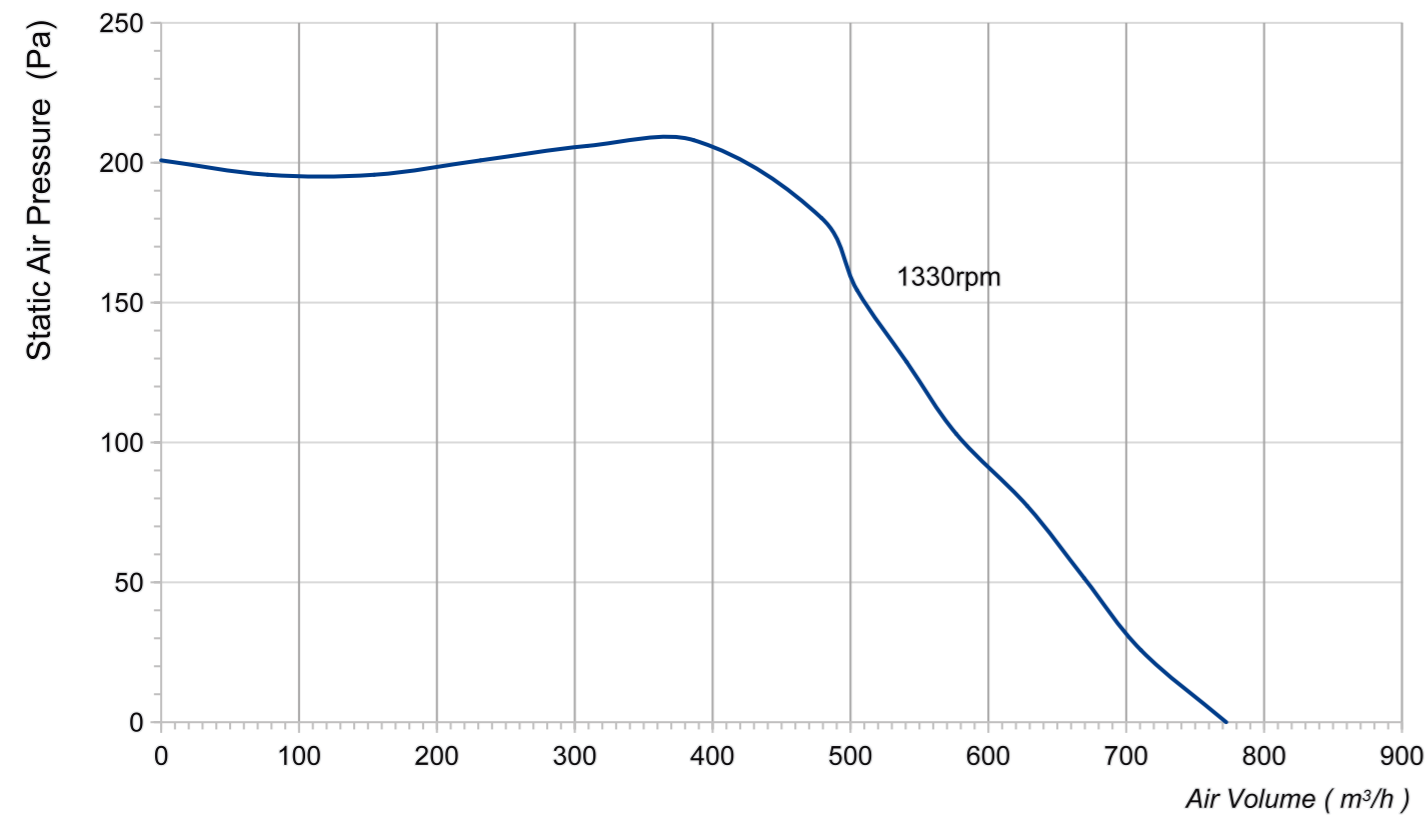
## Product Characteristic

- Material : Galvanised sheet steel
- Mode of operation: S1
- Type of operation: IP54
- Insulation class: F
- Bearing: Maintenance-free ball bearings
- Operation Temperature: -30~+60 C

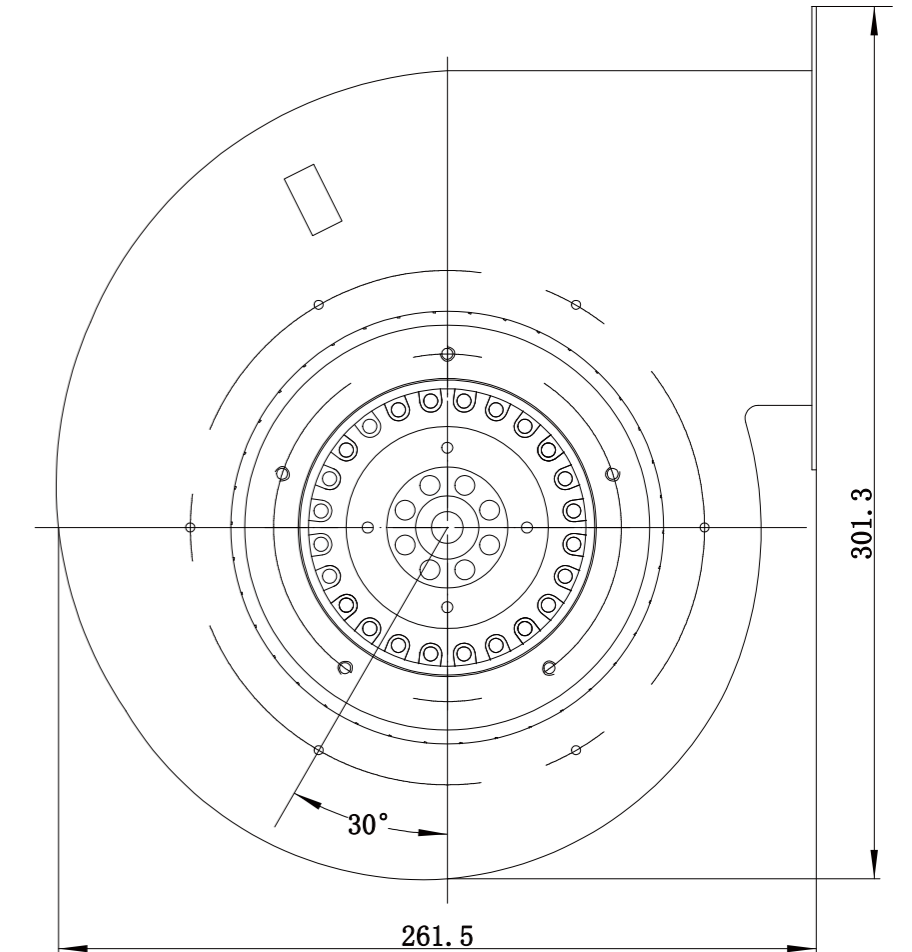
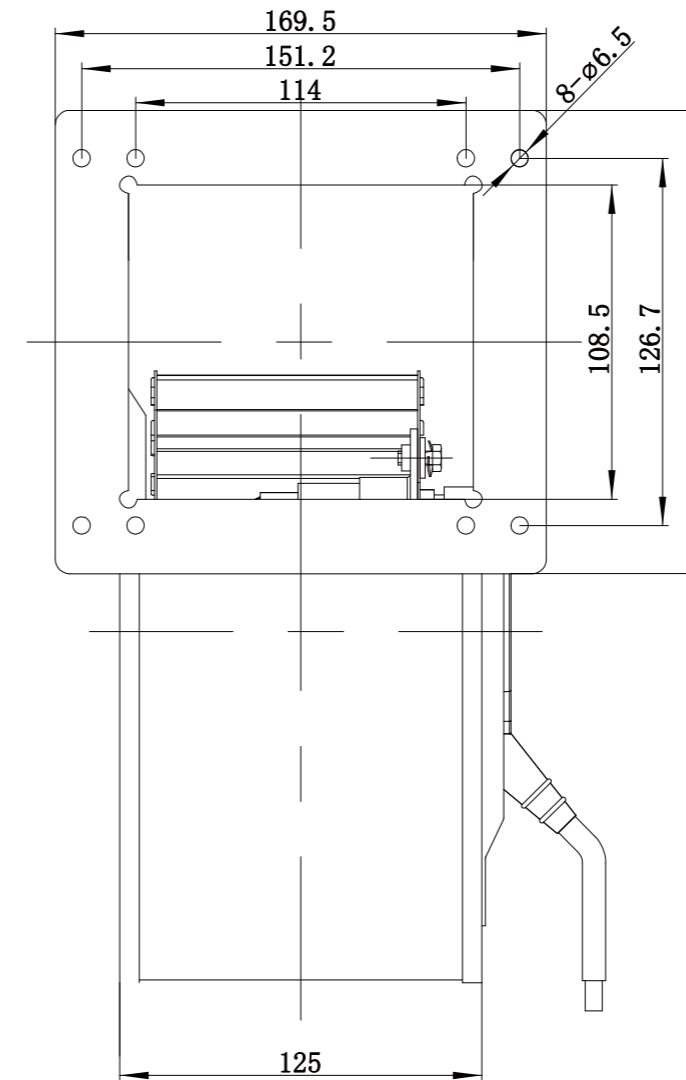


## Technical Specifications

| Model              | Voltage (V) | Frequency (Hz) | Power (W) | Current (A) | Speed (RPM) | Air Flow (m³/h) | Air Pressure (Pa) | Noise [dB(A)] | Capacitor | Curve |
|--------------------|-------------|----------------|-----------|-------------|-------------|-----------------|-------------------|---------------|-----------|-------|
| LWFA4E180-092SS-02 | 230         | 50             | 135       | 0.7         | 1330        | 773             | 201               | 63            | 3uF       | /     |



## Product Drawing (mm)



# LWFA-180 Series

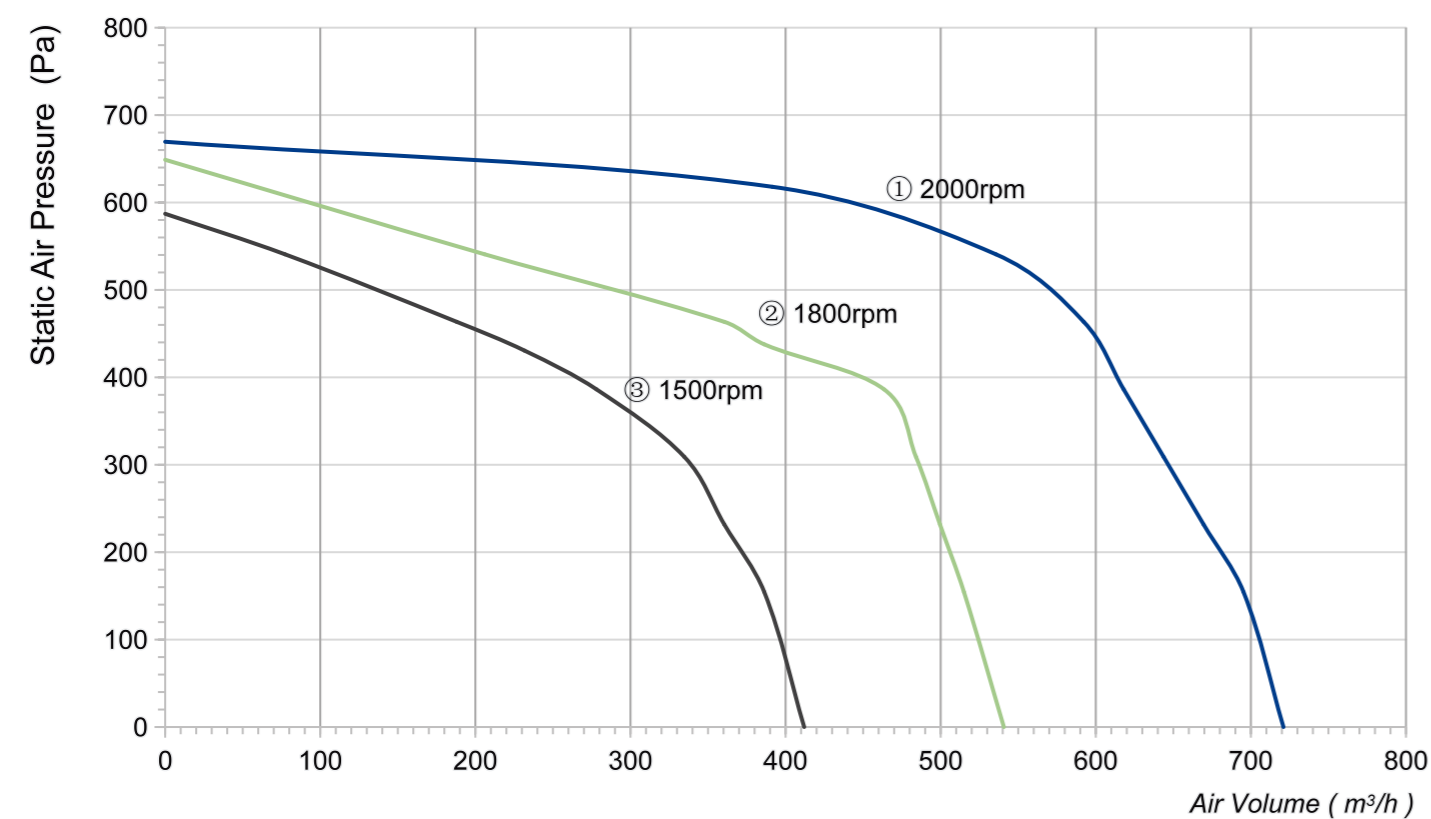
## Product Characteristic

- Material : Galvanised sheet steel
- Mode of operation: S1
- Type of operation: IP54
- Insulation class: F
- Bearing: Maintenance-free ball bearings
- Operation Temperature: -30~+60 C

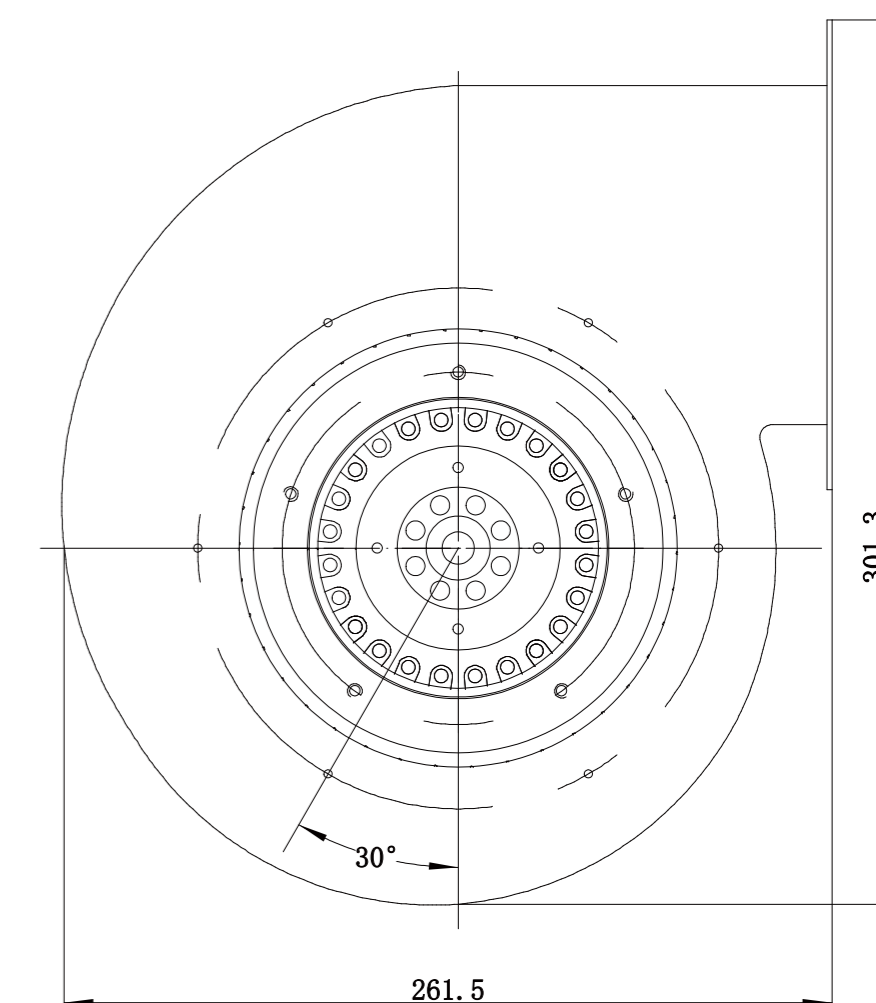
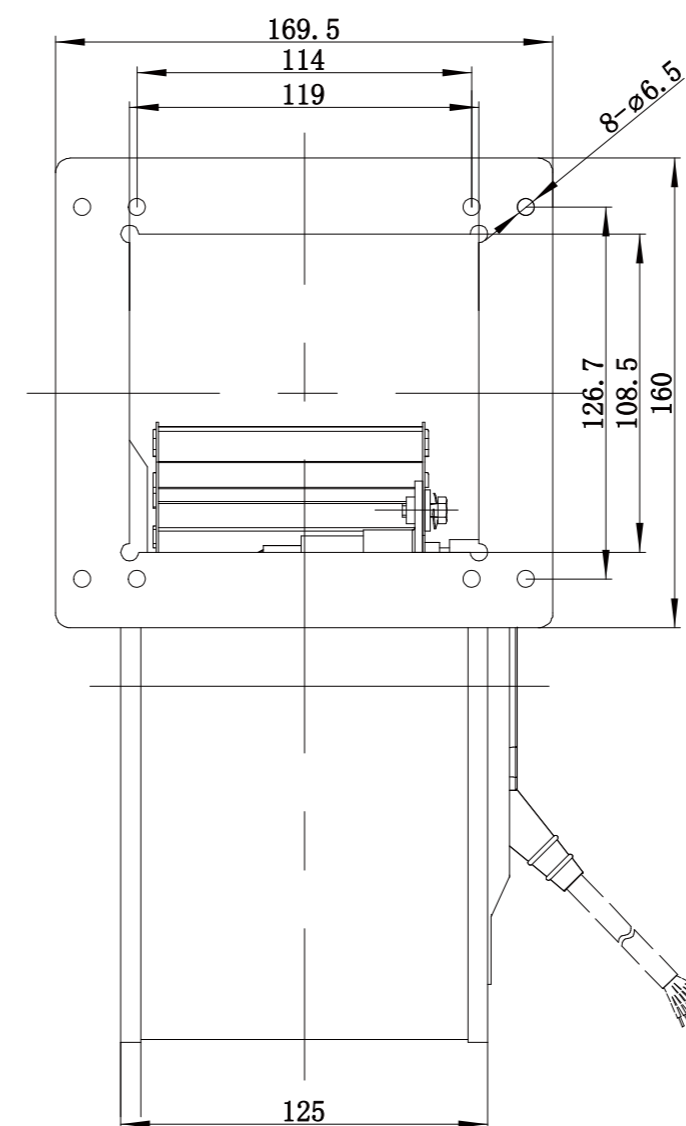


## Technical Specifications

| Model              | Voltage (V) | Frequency (Hz) | Power (W) | Current (A) | Speed (RPM) | Air Flow (m³/h) | Air Pressure (Pa) | Noise [dB(A)] | Capacitor | Curve |
|--------------------|-------------|----------------|-----------|-------------|-------------|-----------------|-------------------|---------------|-----------|-------|
|                    |             |                | 300       | 1.35        | 2000        | 742             | 670               | 73            | 7uF       | ①     |
| LWFA2E180-092SS-03 | 230         | 50             | 250       | 1.2         | 1800        | 541             | 649               | 69            | 7uF       | ②     |
|                    |             |                | 195       | 0.95        | 1500        | 412             | 587               | 65            | 7uF       | ③     |



## Product Drawing (mm)



# LWFA-225 Series

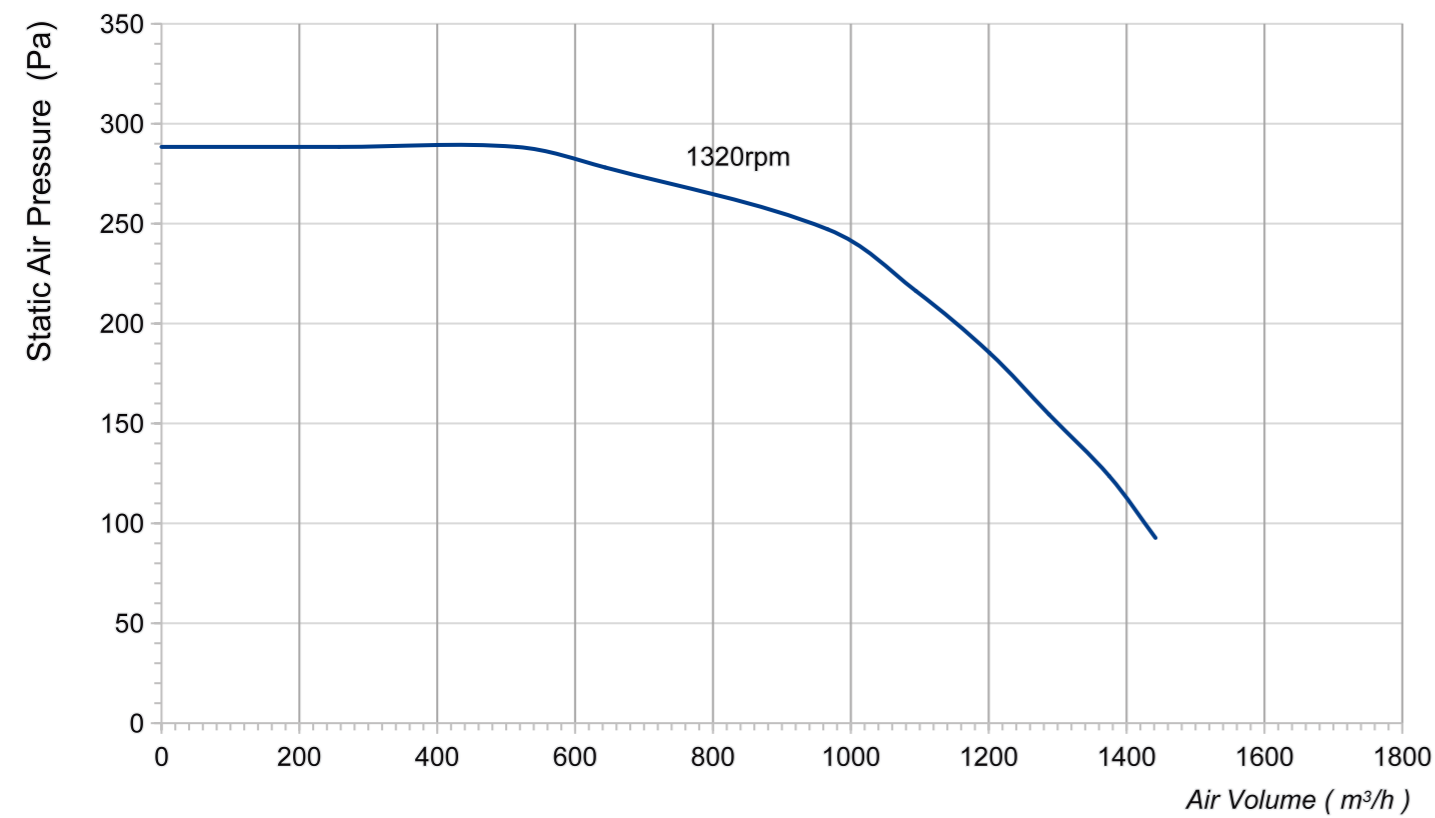
## Product Characteristic

- Material : Galvanised sheet steel
- Mode of operation: S1
- Type of operation: IP54
- Insulation class: F
- Bearing: Maintenance-free ball bearings
- Operation Temperature: -30~+60 C

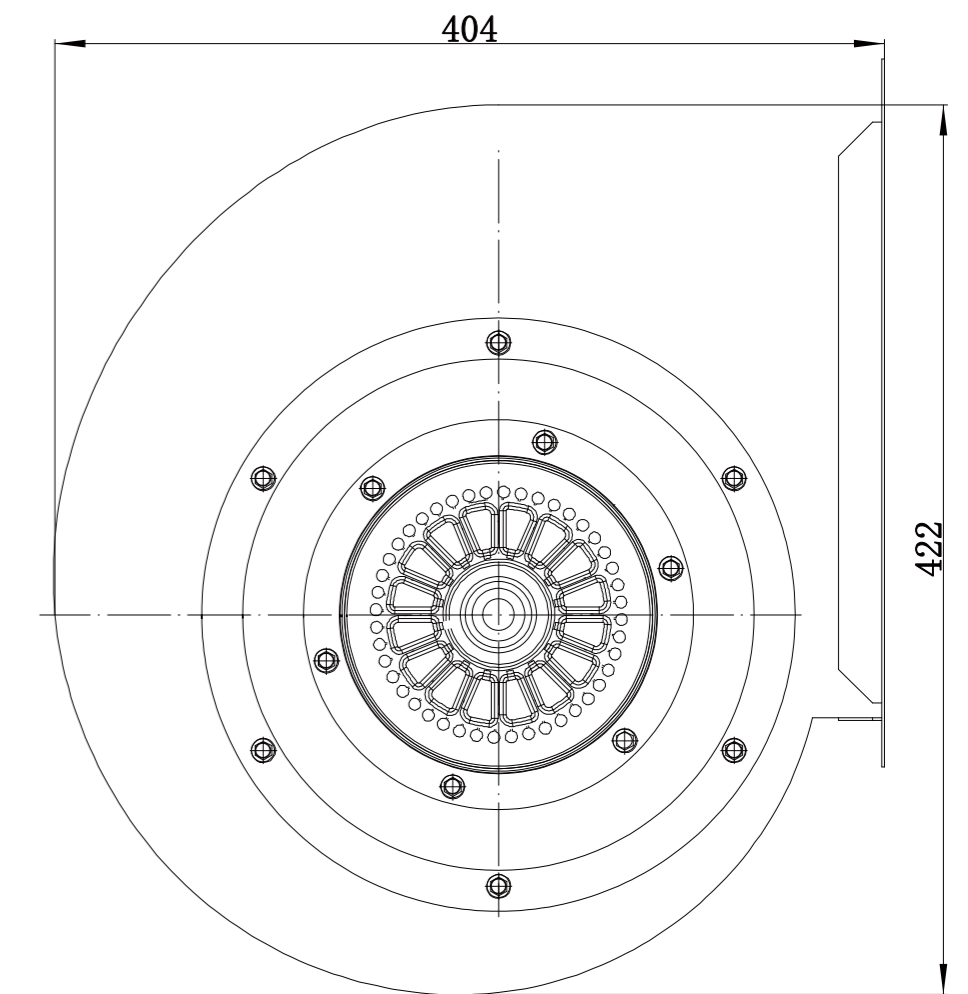
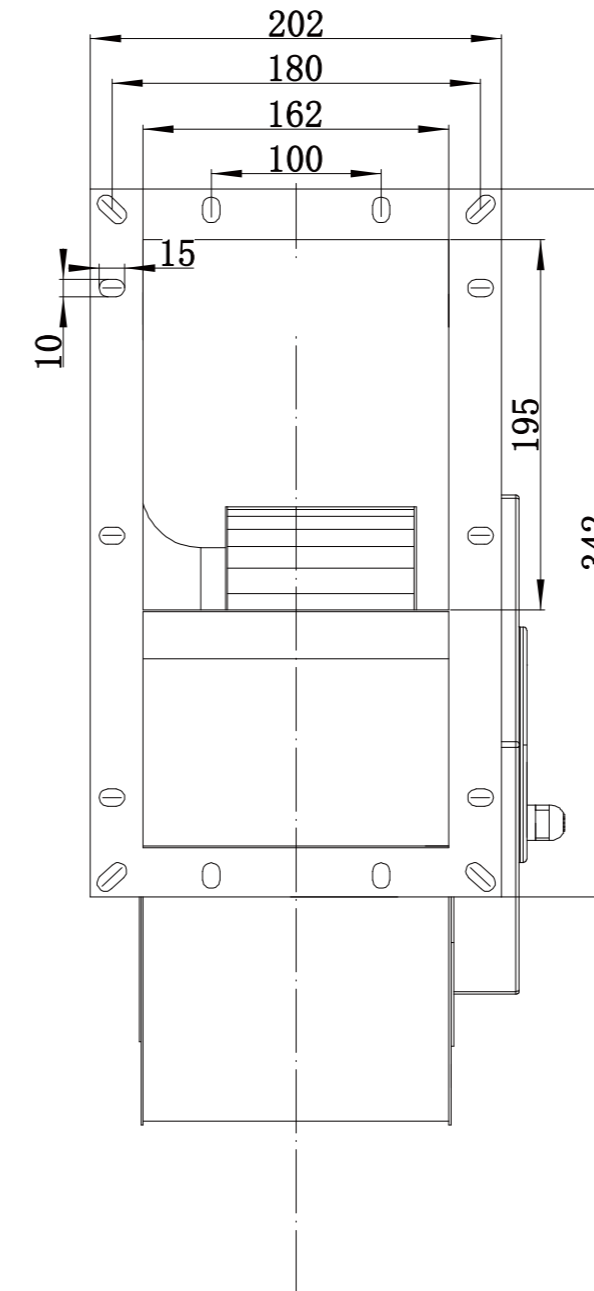


## Technical Specifications

| Model              | Voltage (V) | Frequency (Hz) | Power (W) | Current (A) | Speed (RPM) | Air Flow (m³/h) | Air Pressure (Pa) | Noise [dB(A)] | Capacitor | Curve |
|--------------------|-------------|----------------|-----------|-------------|-------------|-----------------|-------------------|---------------|-----------|-------|
| LWFA4E225-138SS-01 | 230         | 50             | 400       | 1.8         | 1320        | 1442            | 288               | 73            | 10uF      | /     |
| LWFA4D225-138ST-02 | 380         | 50             | 400       | 0.9         | 1390        | 1442            | 288               | 73            | /         | /     |



## Product Drawing (mm)



# LWFA-250 Series

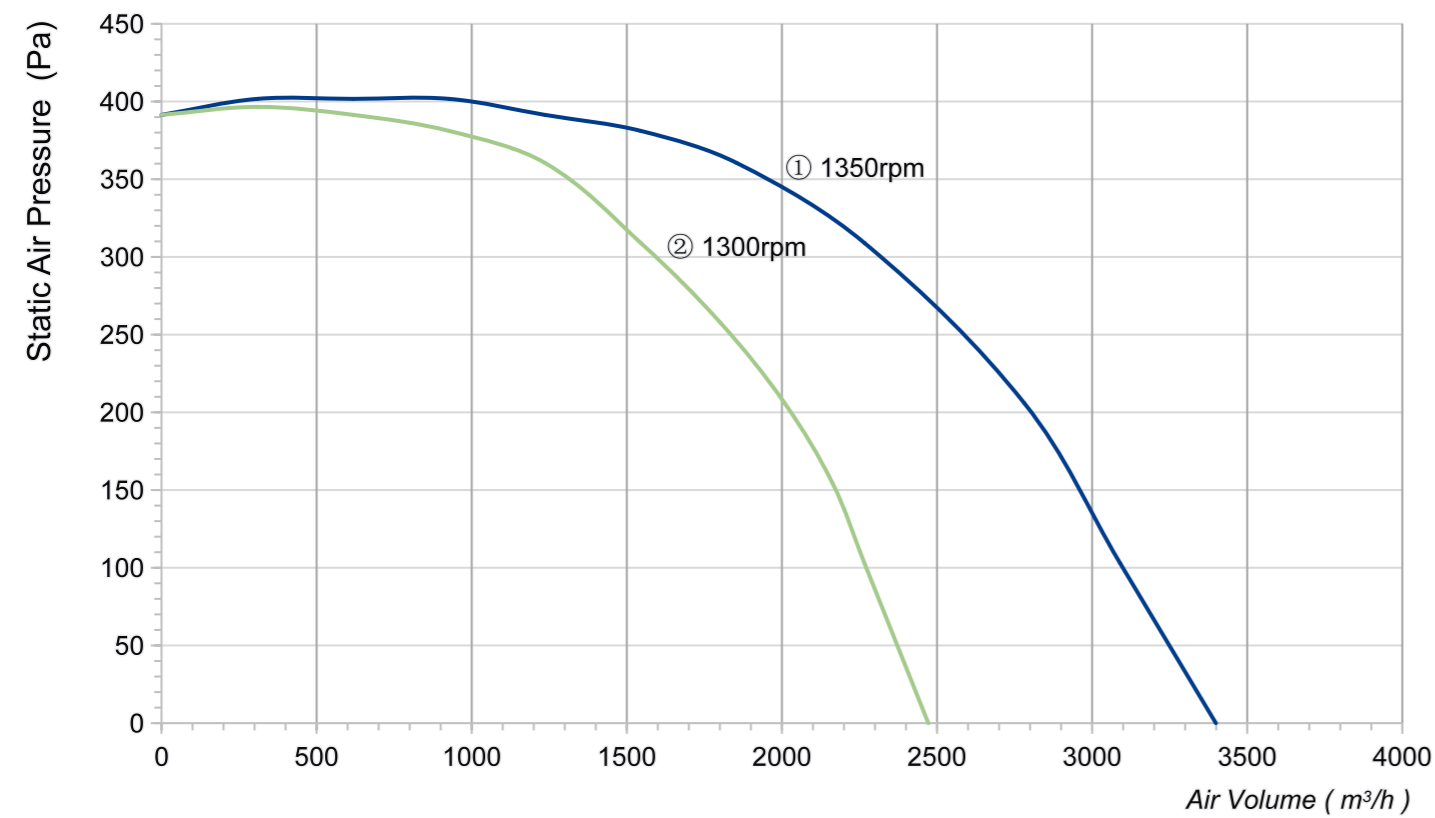
## Product Characteristic

- Material : Galvanised sheet steel
- Mode of operation: S1
- Type of operation: IP54
- Insulation class: F
- Bearing: Maintenance-free ball bearings
- Operation Temperature: -30~+60 C

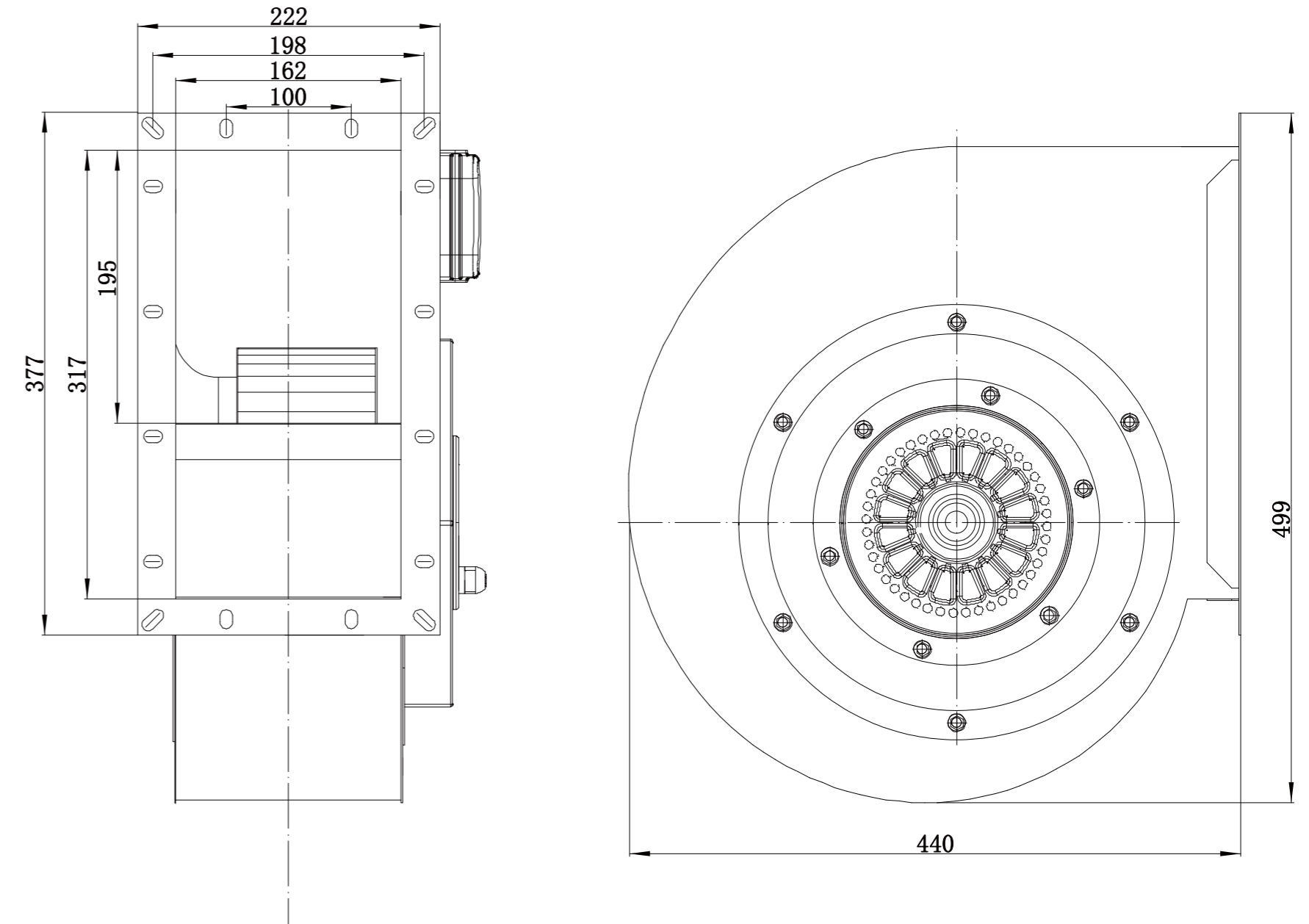


## Technical Specifications

| Model              | Voltage (V) | Frequency (Hz) | Power (W) | Current (A) | Speed (RPM) | Air Flow (m³/h) | Air Pressure (Pa) | Noise [dB(A)] | Capacitor | Curve |
|--------------------|-------------|----------------|-----------|-------------|-------------|-----------------|-------------------|---------------|-----------|-------|
| LWFA4D250-138ST-01 | 380         | 50             | 850       | 1.6         | 1350        | 3399            | 391               | 80            | /         | ①     |
| LWFA4D250-138ST-02 | 380         | 50             | 630       | 1.2         | 1300        | 2472            | 391               | 74            | /         | ②     |



## Product Drawing (mm)



# LWFA-280 Series

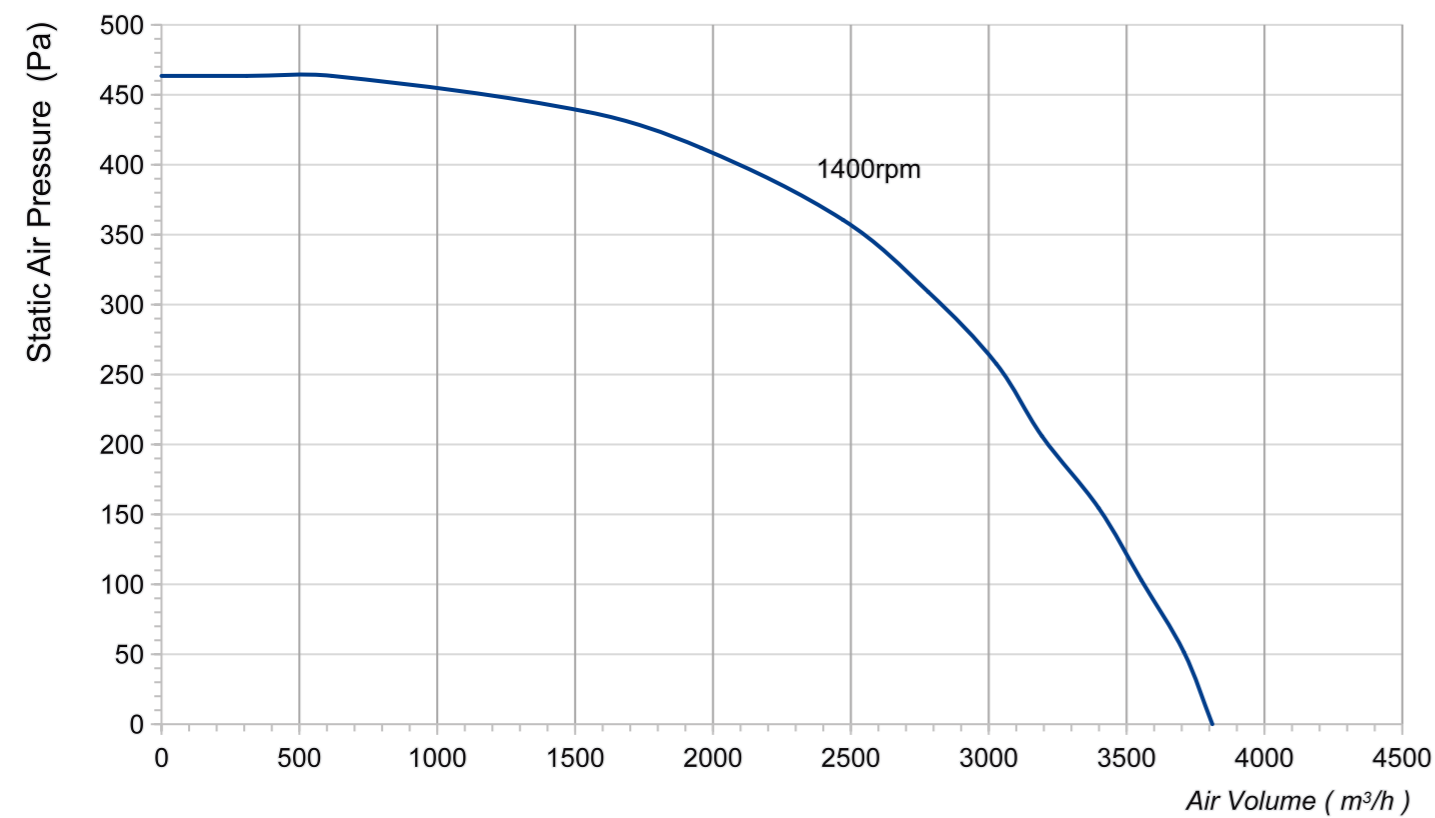
## Product Characteristic

- Material : Galvanised sheet steel
- Mode of operation: S1
- Type of operation: IP54
- Insulation class: F
- Bearing: Maintenance-free ball bearings
- Operation Temperature: -30~+60 C

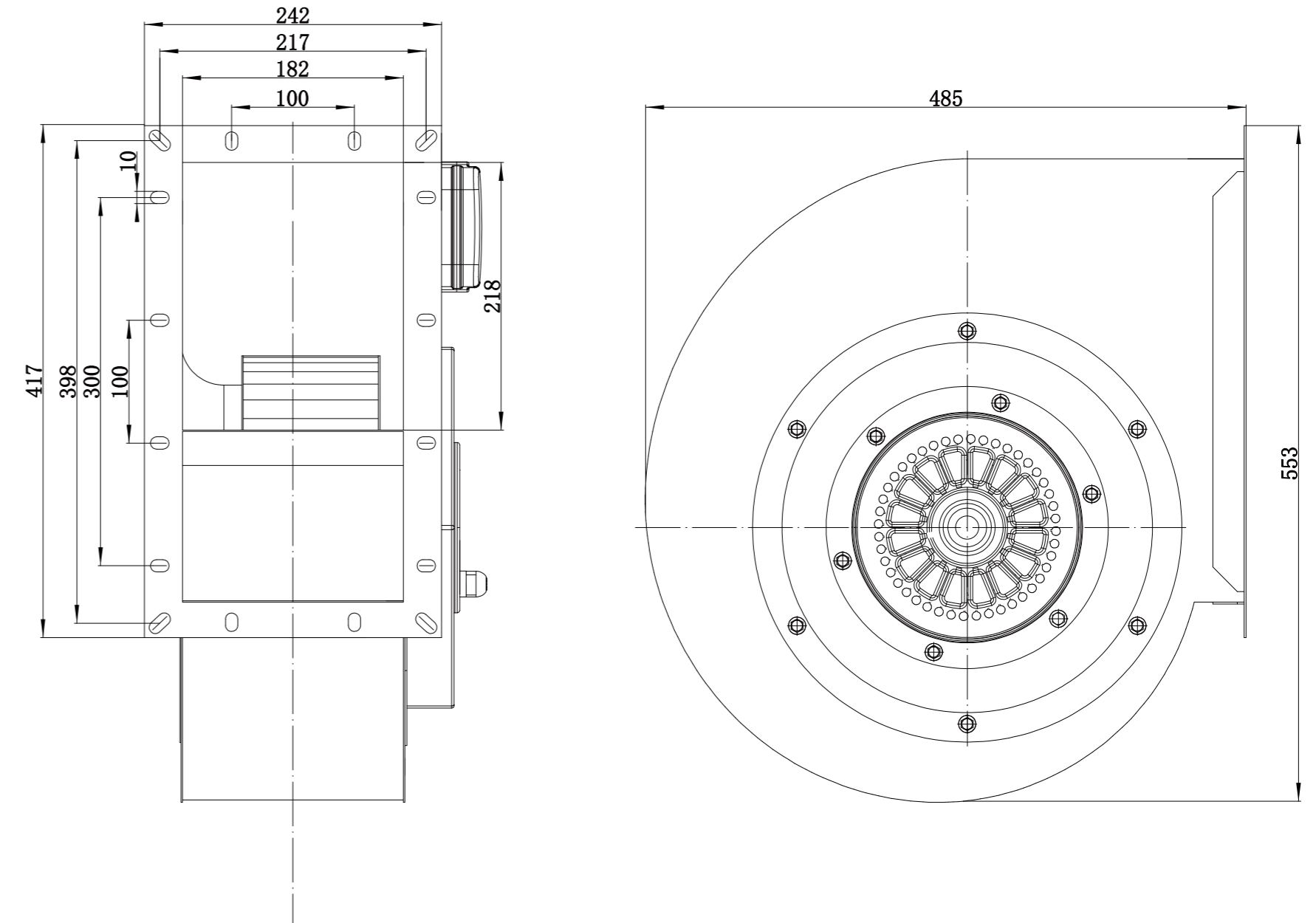


## Technical Specifications

| Model              | Voltage (V) | Frequency (Hz) | Power (W) | Current (A) | Speed (RPM) | Air Flow (m³/h) | Air Pressure (Pa) | Noise [dB(A)] | Capacitor | Curve |
|--------------------|-------------|----------------|-----------|-------------|-------------|-----------------|-------------------|---------------|-----------|-------|
| LWFA4D280-188ST-01 | 380         | 50             | 1400      | 2.5         | 1400        | 3811            | 464               | 82            | /         | /     |



## Product Drawing (mm)



# LWFA-315 Series

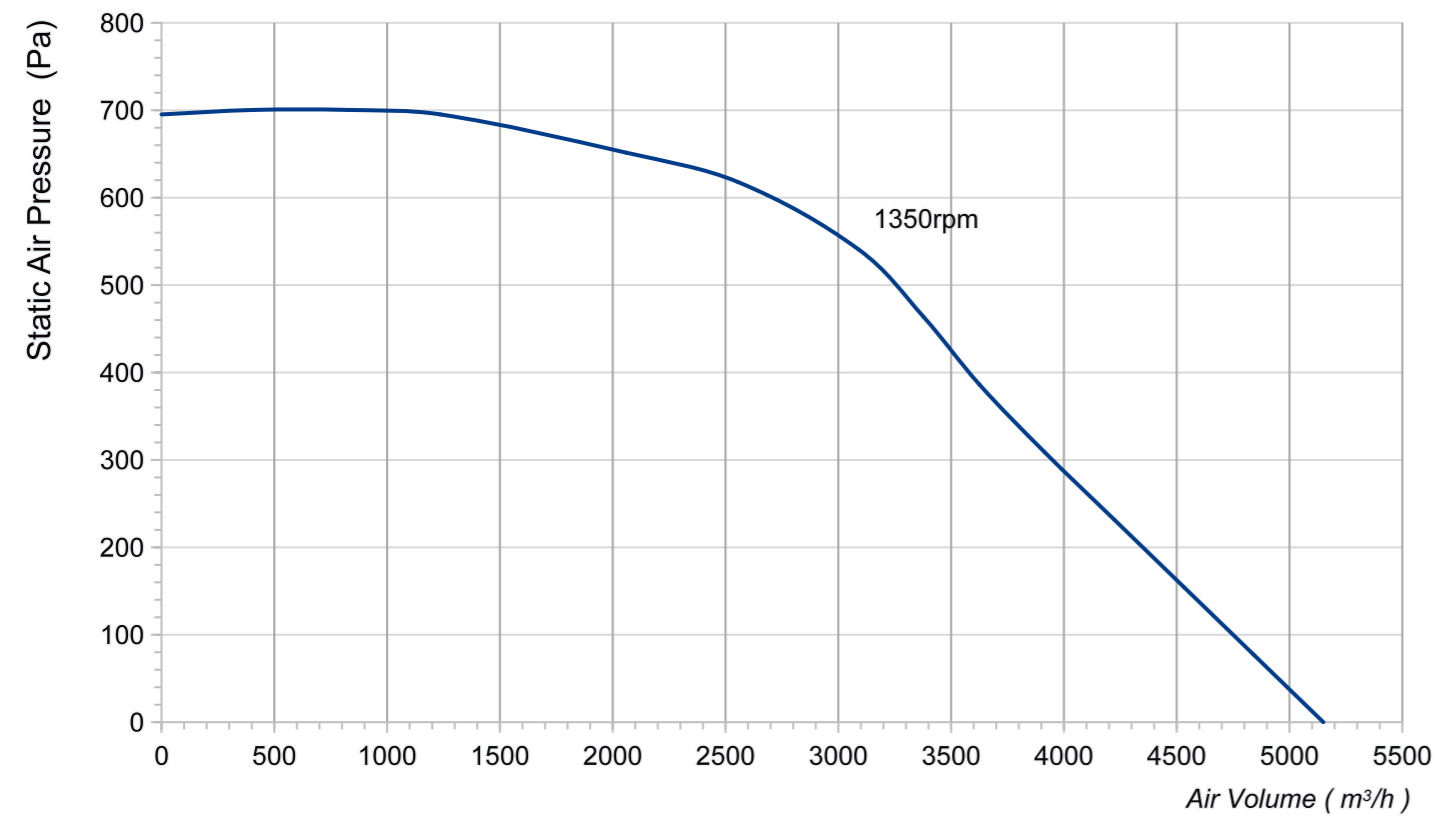
## Product Characteristic

- Material : Galvanised sheet steel
- Mode of operation: S1
- Type of operation: IP54
- Insulation class: F
- Bearing: Maintenance-free ball bearings
- Operation Temperature: -30~+60 C

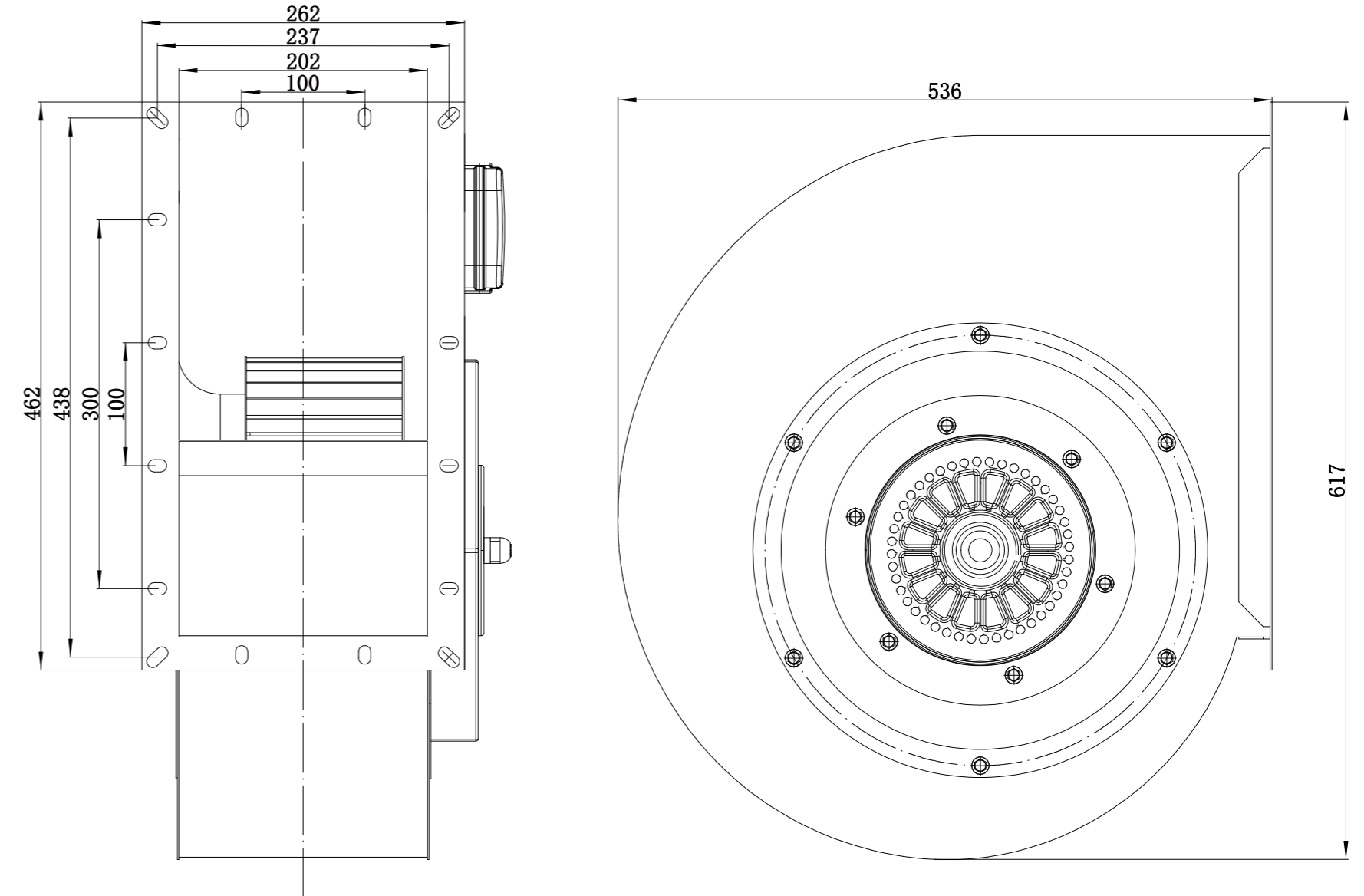


## Technical Specifications

| Model              | Voltage (V) | Frequency (Hz) | Power (W) | Current (A) | Speed (RPM) | Air Flow (m³/h) | Air Pressure (Pa) | Noise [dB(A)] | Capacitor | Curve |
|--------------------|-------------|----------------|-----------|-------------|-------------|-----------------|-------------------|---------------|-----------|-------|
| LWFA4D315-188ST-01 | 380         | 50             | 2200      | 3.7         | 1350        | 5150            | 695               | 85            | /         | /     |



## Product Drawing (mm)



# *EC Forward Centrifugal Fan*

- Permanent magnet materials
- Chip stereoscopic heat dissipation
- Advanced 3D design impeller
- Oblique magnetization technology
- External rotor motor design
- IP55 Water-proof design



# LWFE-108 Series

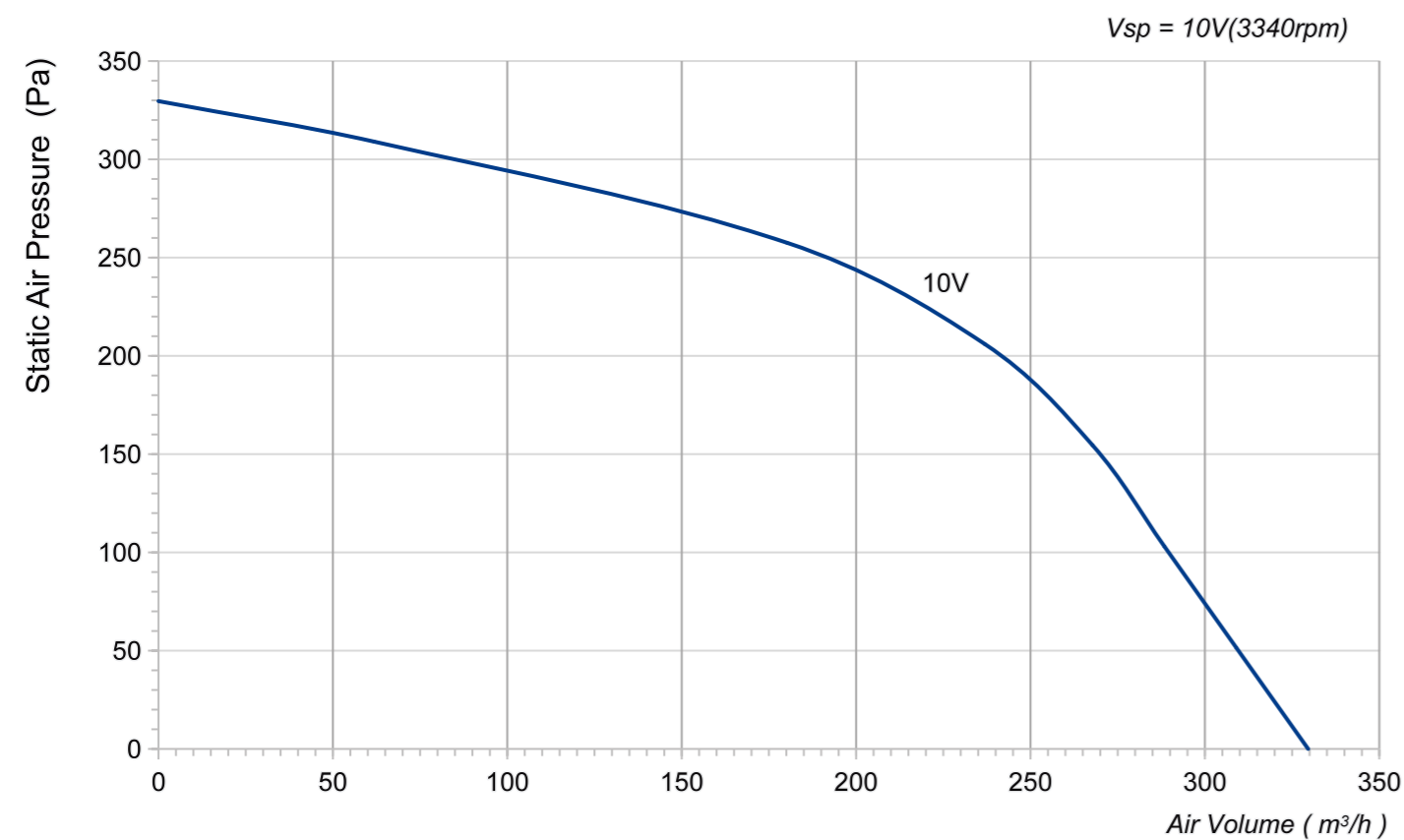
## Product Characteristic

- Material : Galvanised sheet steel
- Mode of operation: S1
- Type of operation: IP55
- Insulation class: B
- Bearing: Maintenance-free ball bearings
- Operation Temperature: -30~+60 C

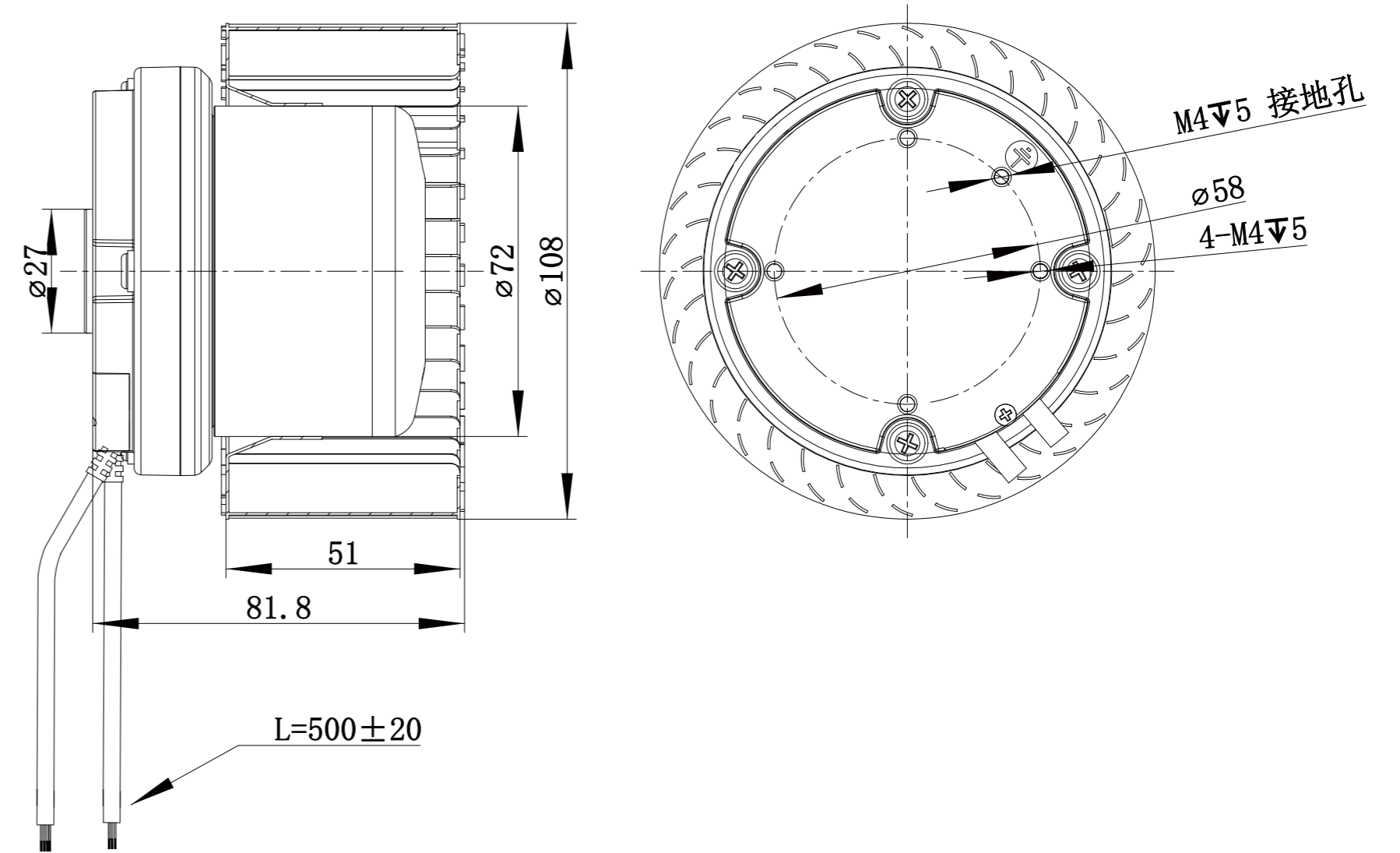


## Technical Specifications

| Model              | Voltage (V) | Frequency (Hz) | Power (W) | Current (A) | Speed (RPM) | Air Flow (m³/h) | Air Pressure (Pa) | Noise [dB(A)] | Curve |
|--------------------|-------------|----------------|-----------|-------------|-------------|-----------------|-------------------|---------------|-------|
| LWFE3G108-072NS-01 | 230         | 50/60          | 82        | 0.65        | 3340        | 330             | 330               | 57            | /     |



## Product Drawing (mm)



# LWFE-120 Series

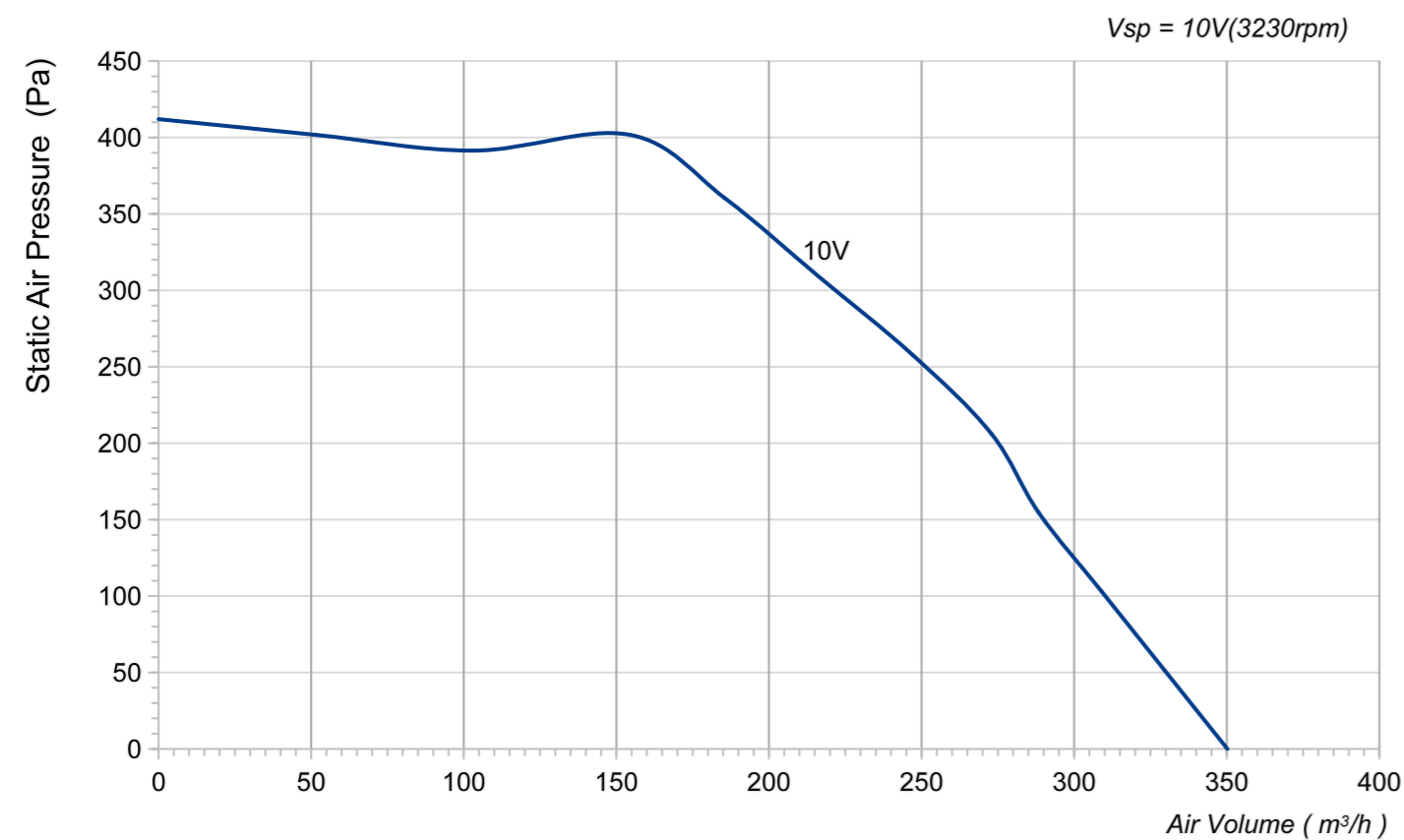
## Product Characteristic

- Material : Galvanised sheet steel
- Mode of operation: S1
- Type of operation: IP55
- Insulation class: B
- Bearing: Maintenance-free ball bearings
- Operation Temperature: -30~+60 C

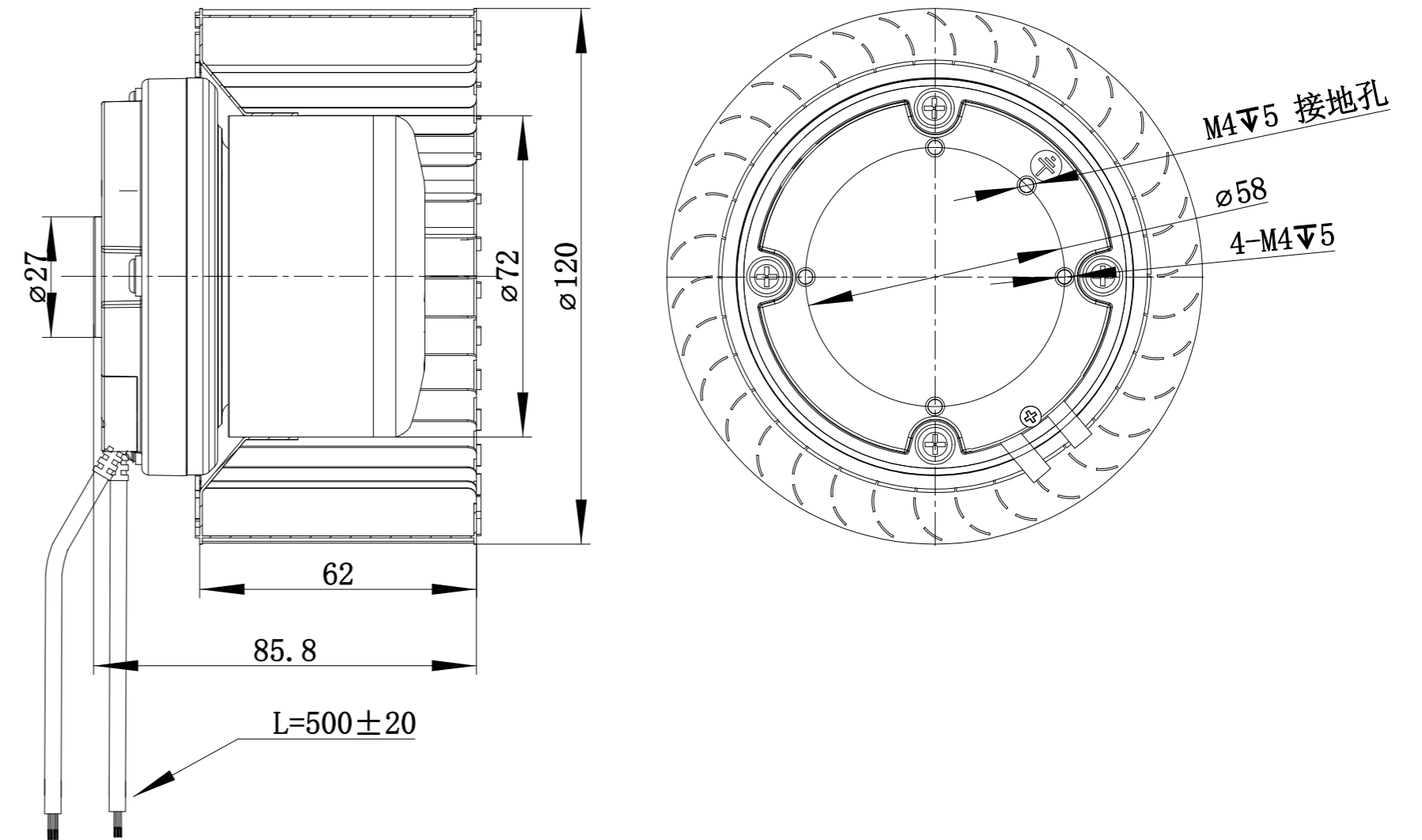


## Technical Specifications

| Model              | Voltage (V) | Frequency (Hz) | Power (W) | Current (A) | Speed (RPM) | Air Flow (m³/h) | Air Pressure (Pa) | Noise [dB(A)] | Curve |
|--------------------|-------------|----------------|-----------|-------------|-------------|-----------------|-------------------|---------------|-------|
| LWFE3G120-072NS-01 | 230         | 50/60          | 90        | 0.67        | 3230        | 350             | 412               | 67            | /     |



## Product Drawing (mm)



# LWFE-133 Series

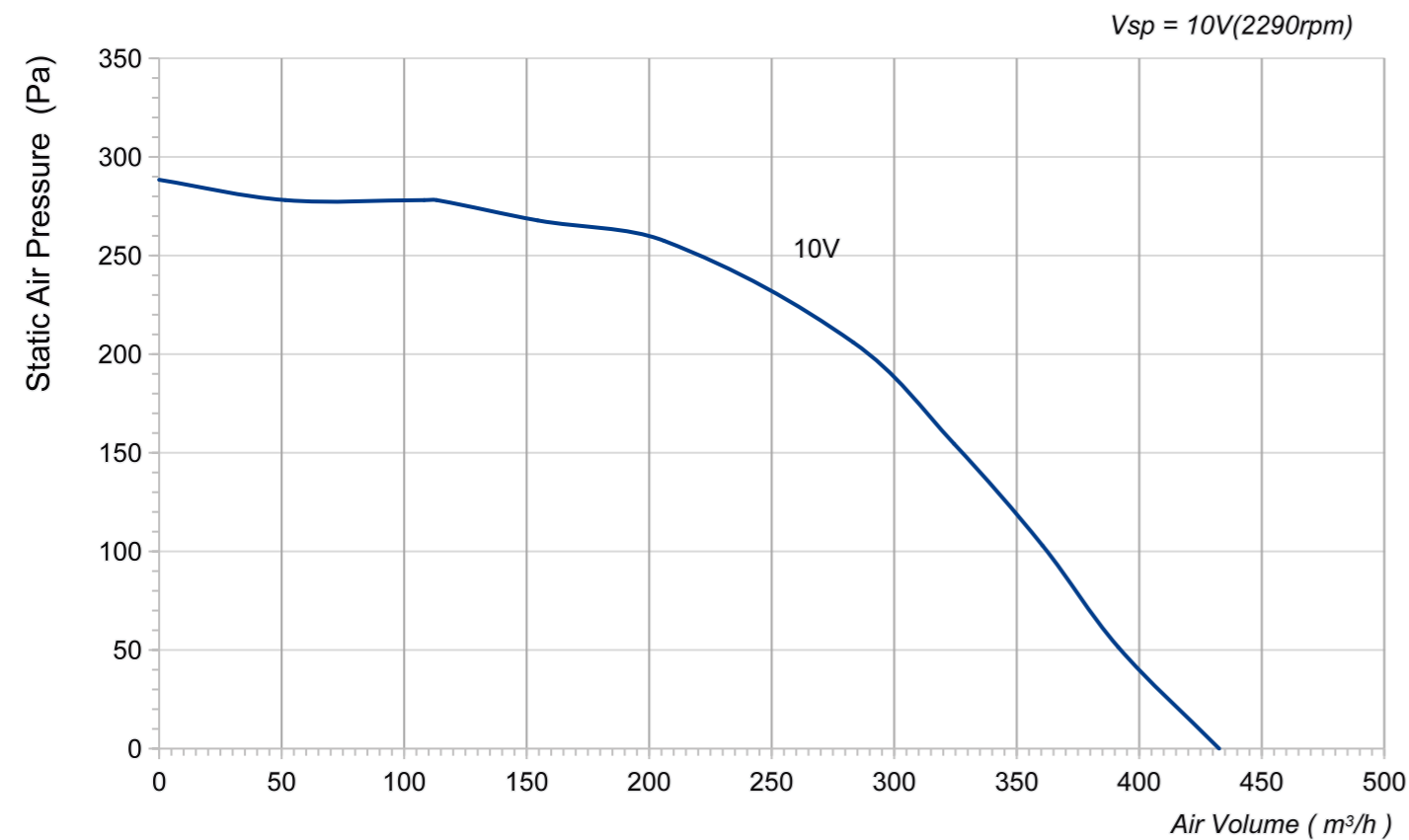
## Product Characteristic

- Material : Galvanised sheet steel
- Mode of operation: S1
- Type of operation: IP55
- Insulation class: B
- Bearing: Maintenance-free ball bearings
- Operation Temperature: -30~+60 C

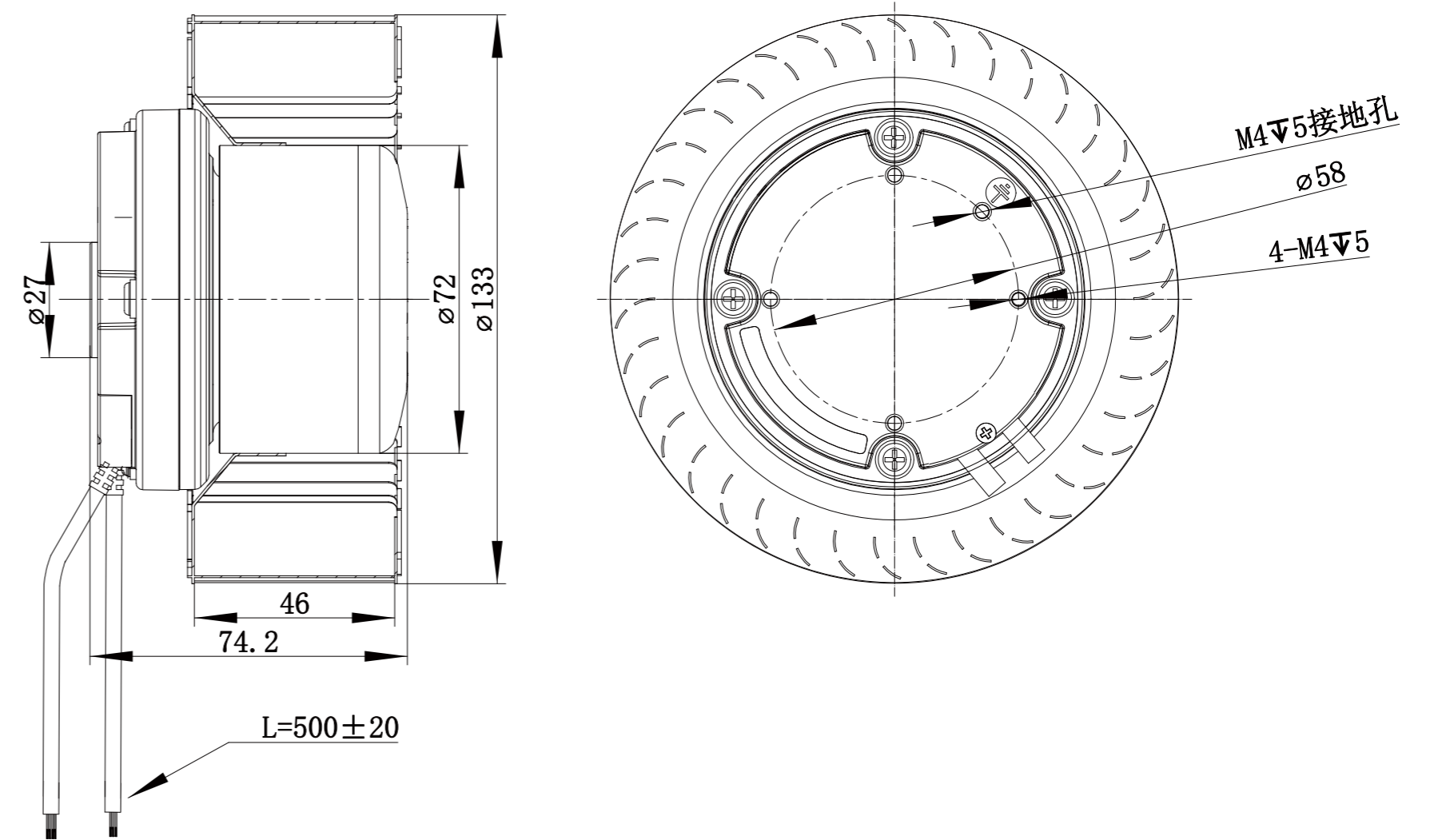


## Technical Specifications

| Model              | Voltage (V) | Frequency (Hz) | Power (W) | Current (A) | Speed (RPM) | Air Flow (m³/h) | Air Pressure (Pa) | Noise [dB(A)] | Curve |
|--------------------|-------------|----------------|-----------|-------------|-------------|-----------------|-------------------|---------------|-------|
| LWFE3G133-072NS-01 | 230         | 50/60          | 85        | 0.67        | 2290        | 433             | 288               | 63            | /     |



## Product Drawing (mm)



# LWFE-140 Series

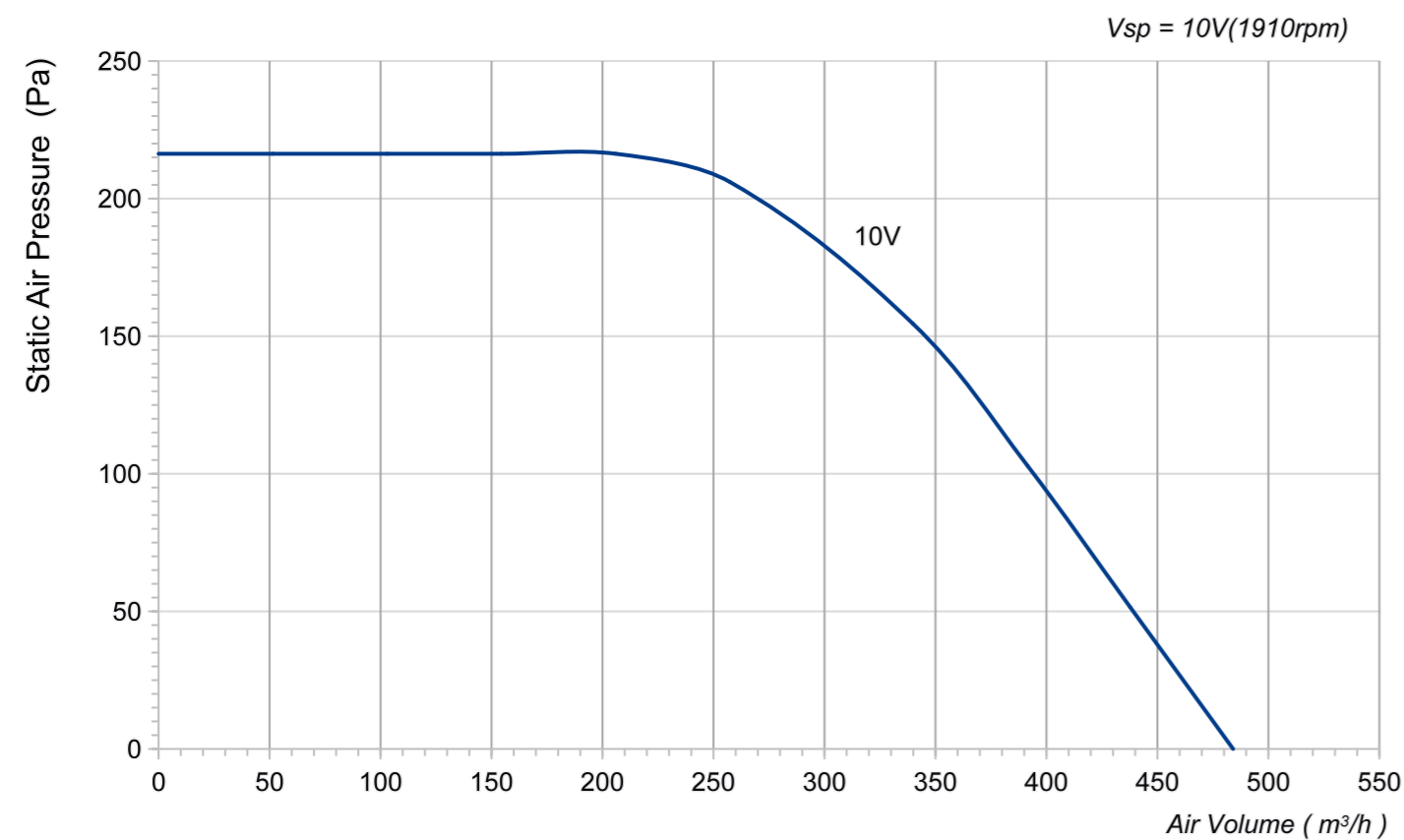
## Product Characteristic

- Material : Galvanised sheet steel
- Mode of operation: S1
- Type of operation: IP55
- Insulation class: B
- Bearing: Maintenance-free ball bearings
- Operation Temperature: -30~+60 C

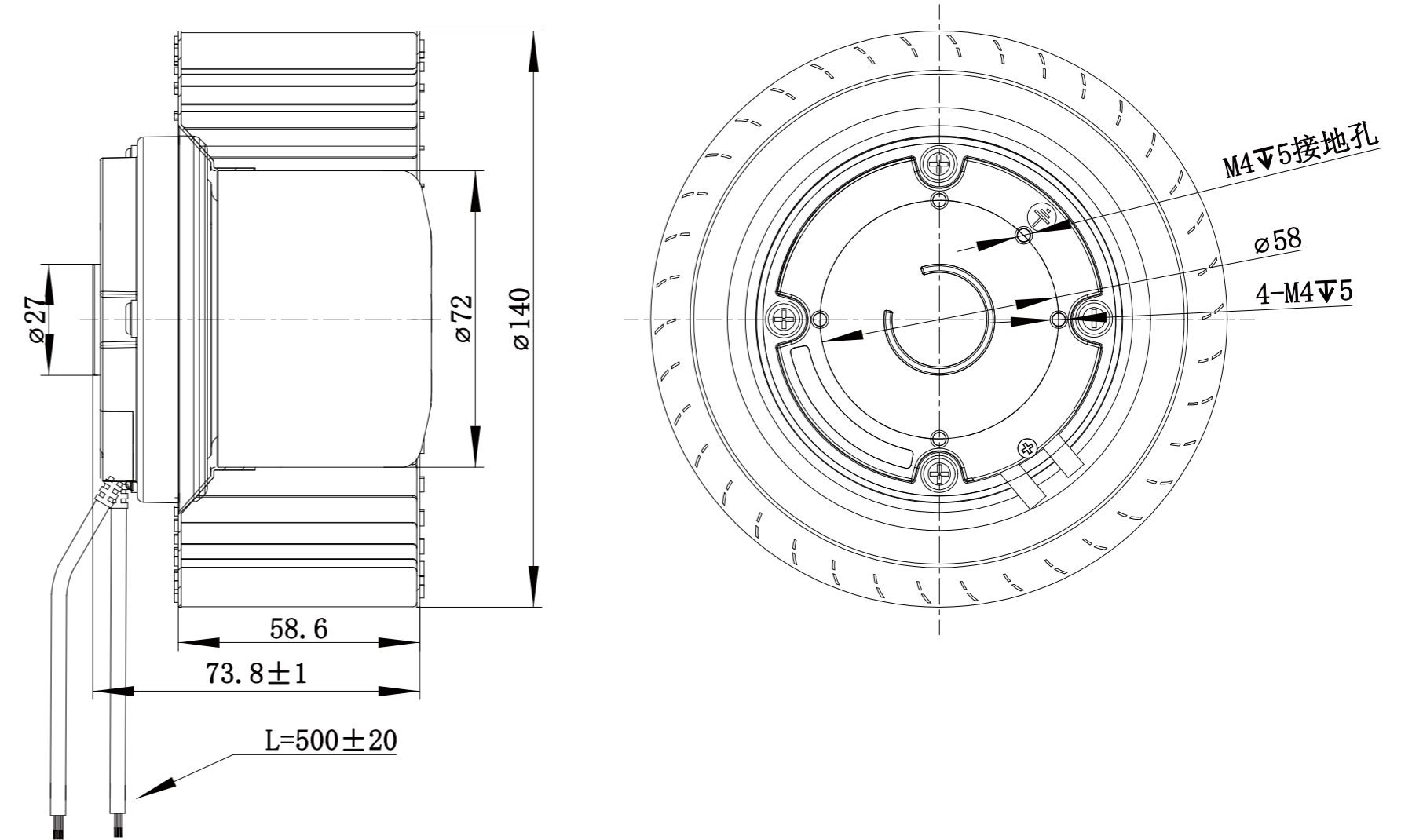


## Technical Specifications

| Model              | Voltage (V) | Frequency (Hz) | Power (W) | Current (A) | Speed (RPM) | Air Flow (m³/h) | Air Pressure (Pa) | Noise [dB(A)] | Curve |
|--------------------|-------------|----------------|-----------|-------------|-------------|-----------------|-------------------|---------------|-------|
| LWFE3G140-072NS-01 | 230         | 50/60          | 70        | 0.58        | 1910        | 484             | 216               | 72            | /     |



## Product Drawing (mm)



# LWFE-140 Series

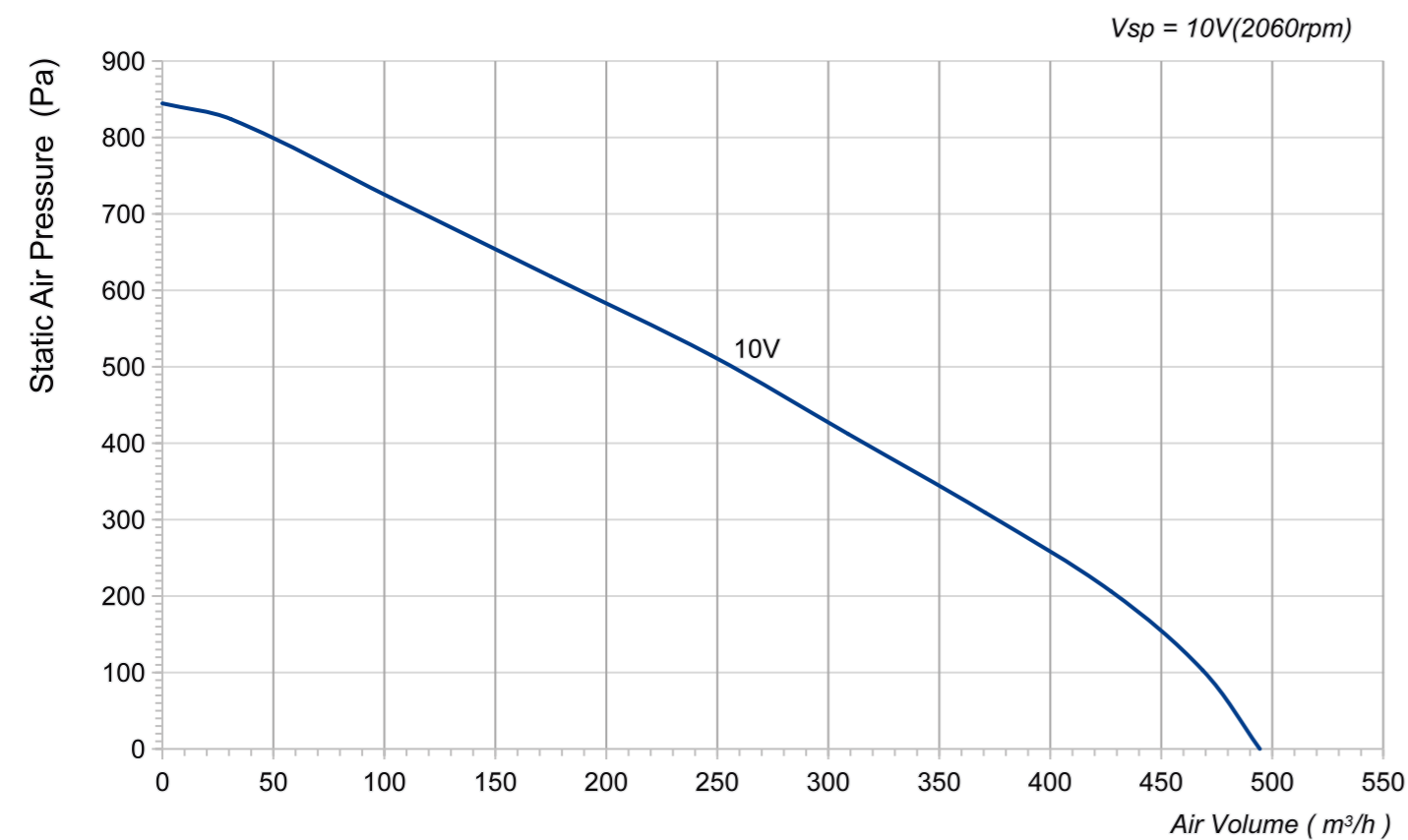
## Product Characteristic

- Material : Galvanised sheet steel
- Mode of operation: S1
- Type of operation: IP55
- Insulation class: B
- Bearing: Maintenance-free ball bearings
- Operation Temperature: -30~+60 C

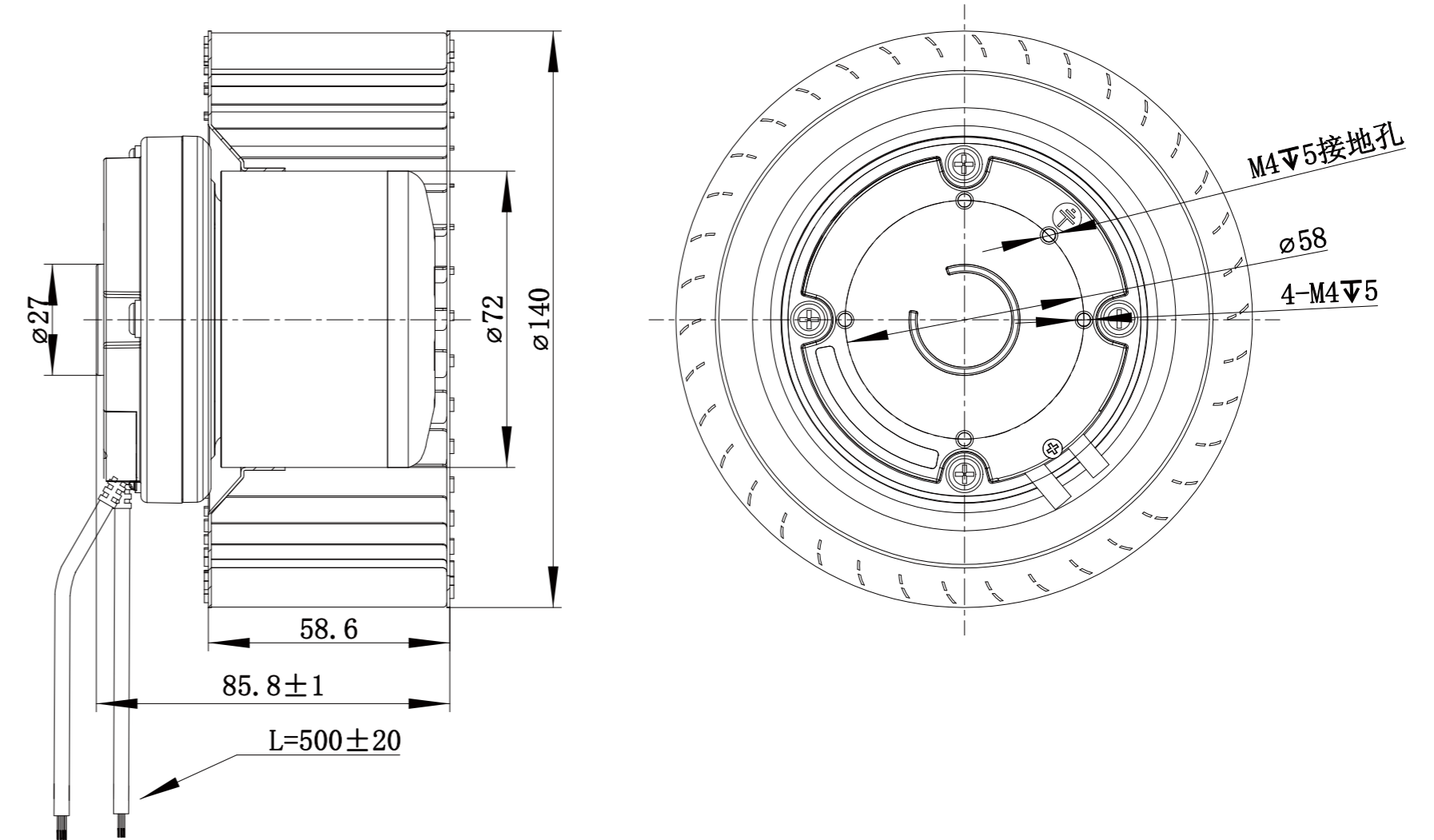


## Technical Specifications

| Model              | Voltage (V) | Frequency (Hz) | Power (W) | Current (A) | Speed (RPM) | Air Flow (m³/h) | Air Pressure (Pa) | Noise [dB(A)] | Curve |
|--------------------|-------------|----------------|-----------|-------------|-------------|-----------------|-------------------|---------------|-------|
| LWFE3G140-072NS-02 | 230         | 50/60          | 115       | 0.85        | 2060        | 494             | 845               | 74            | /     |



## Product Drawing (mm)



# LWFE-160 Series

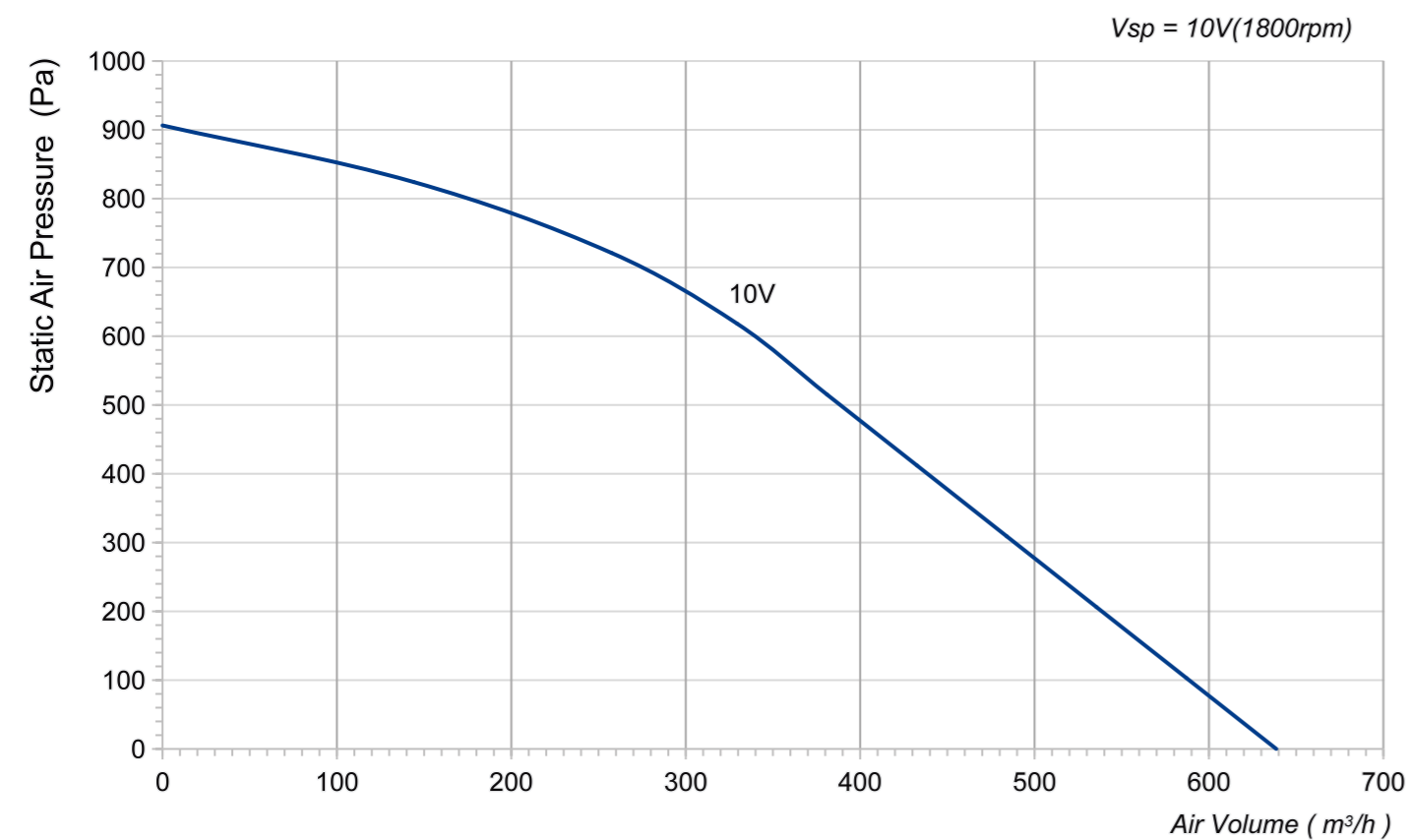
## Product Characteristic

- Material : Galvanised sheet steel
- Mode of operation: S1
- Type of operation: IP55
- Insulation class: B
- Bearing: Maintenance-free ball bearings
- Operation Temperature: -30~+60 C

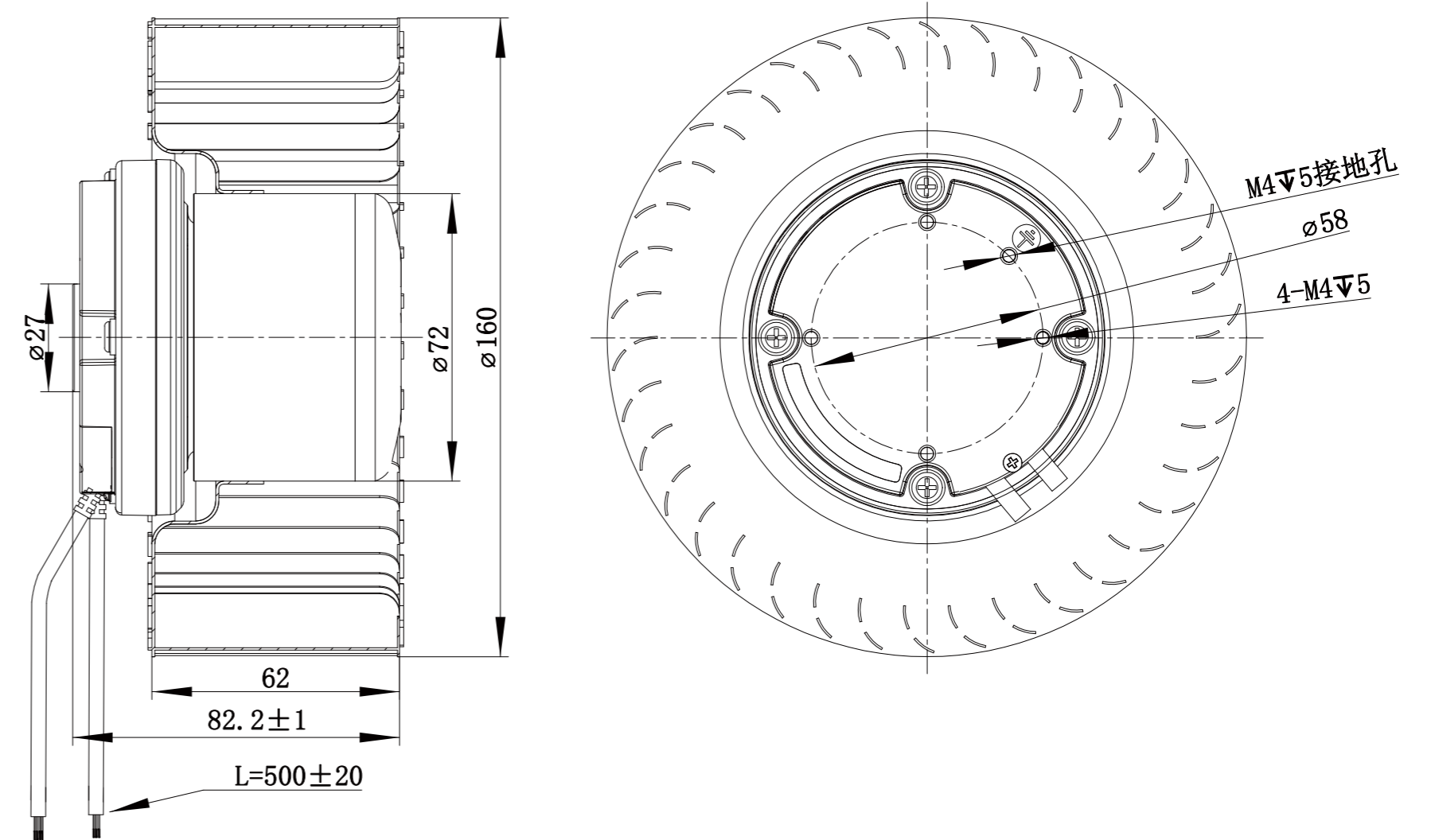


## Technical Specifications

| Model              | Voltage (V) | Frequency (Hz) | Power (W) | Current (A) | Speed (RPM) | Air Flow (m³/h) | Air Pressure (Pa) | Noise [dB(A)] | Curve |
|--------------------|-------------|----------------|-----------|-------------|-------------|-----------------|-------------------|---------------|-------|
| LWFE3G160-072NS-01 | 230         | 50/60          | 115       | 0.85        | 1800        | 639             | 906               | 64            | /     |



## Product Drawing (mm)



# LWFE-160 Series

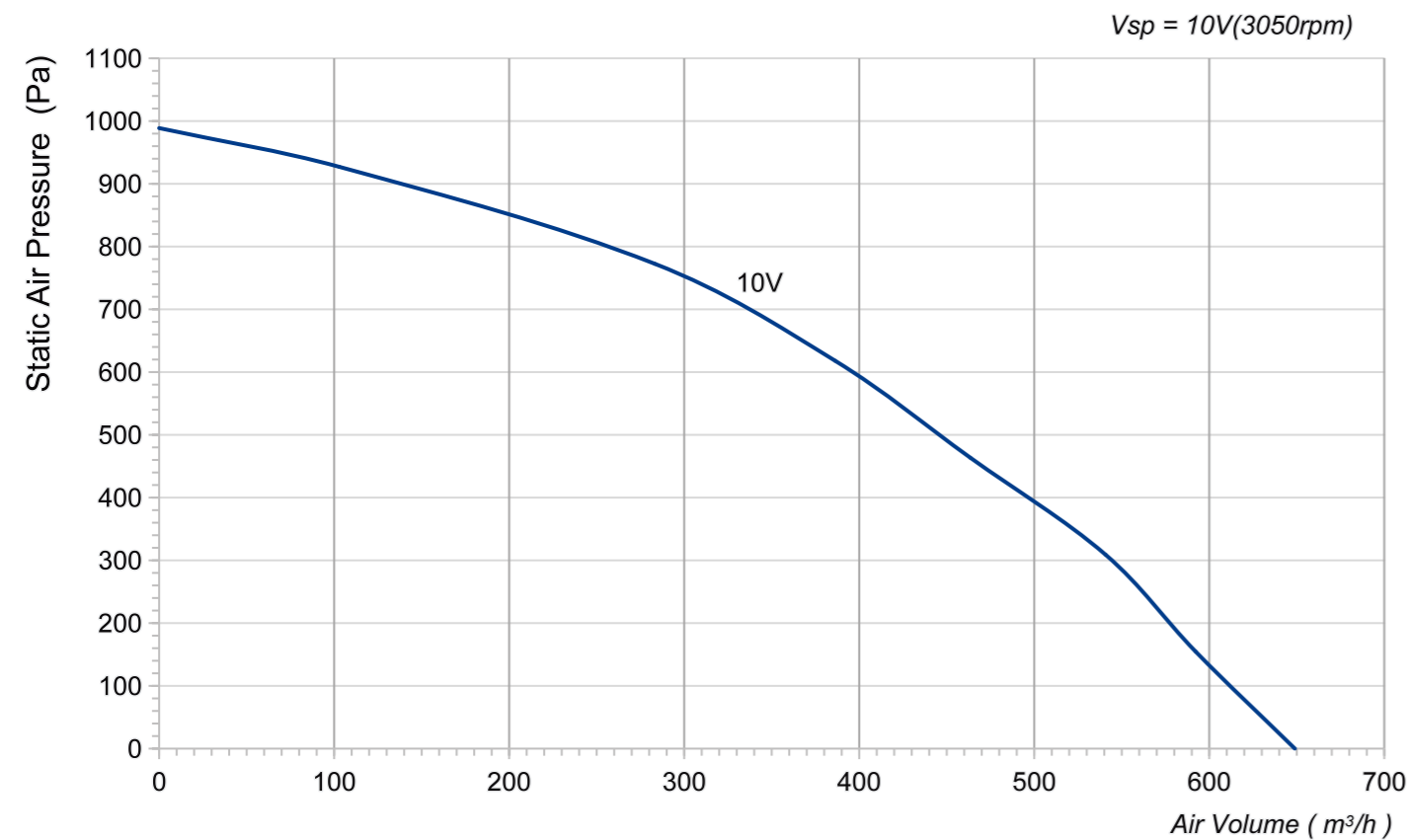
## Product Characteristic

- Material : Galvanised sheet steel
- Mode of operation: S1
- Type of operation: IP55
- Insulation class: B
- Bearing: Maintenance-free ball bearings
- Operation Temperature: -30~+60 C

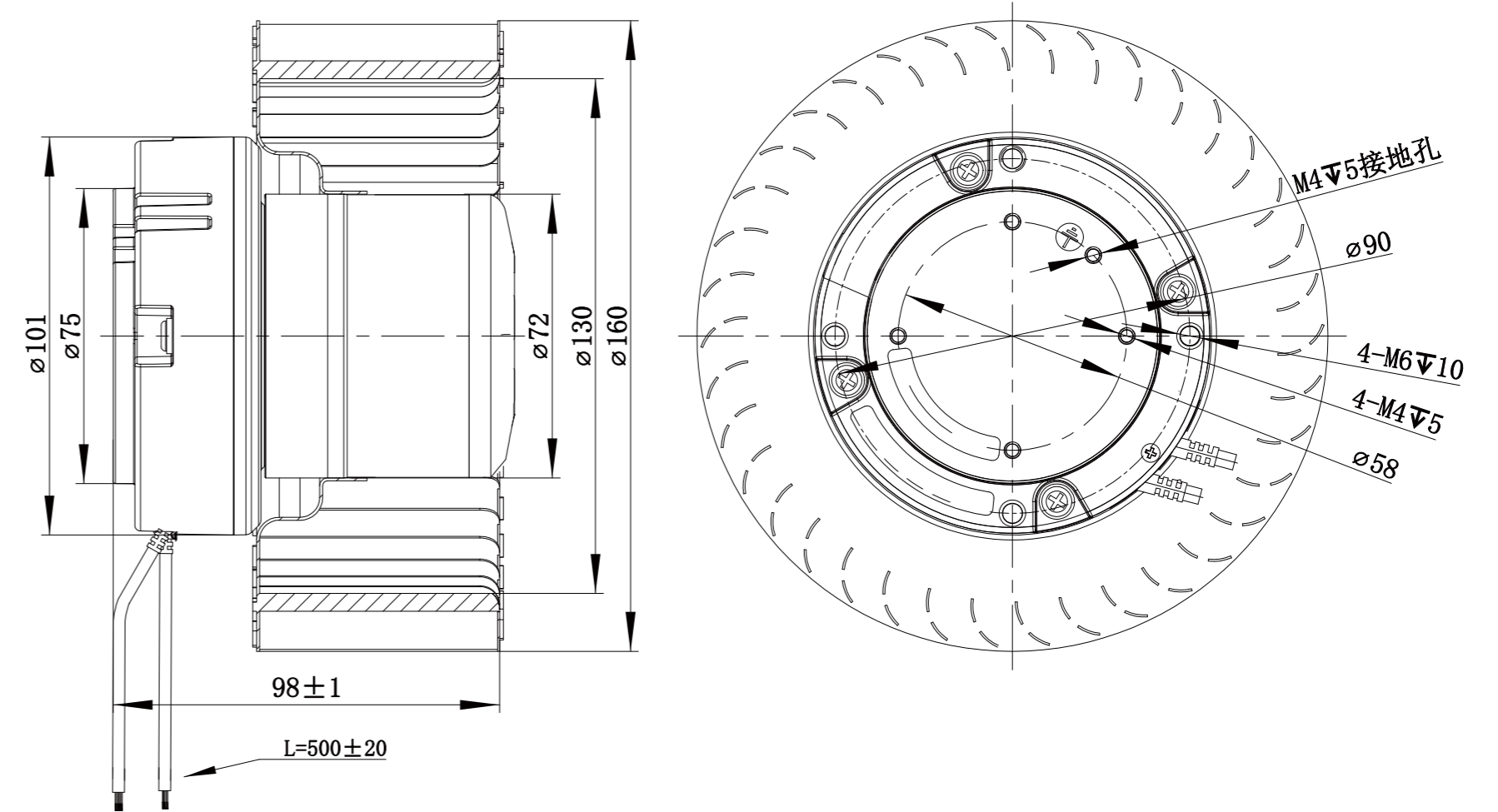


## Technical Specifications

| Model              | Voltage (V) | Frequency (Hz) | Power (W) | Current (A) | Speed (RPM) | Air Flow (m³/h) | Air Pressure (Pa) | Noise [dB(A)] | Curve |
|--------------------|-------------|----------------|-----------|-------------|-------------|-----------------|-------------------|---------------|-------|
| LWFE3G160-072NS-02 | 230         | 50/60          | 155       | 1.1         | 3050        | 649             | 989               | 68            | /     |



## Product Drawing (mm)



# LWFE-160 Series

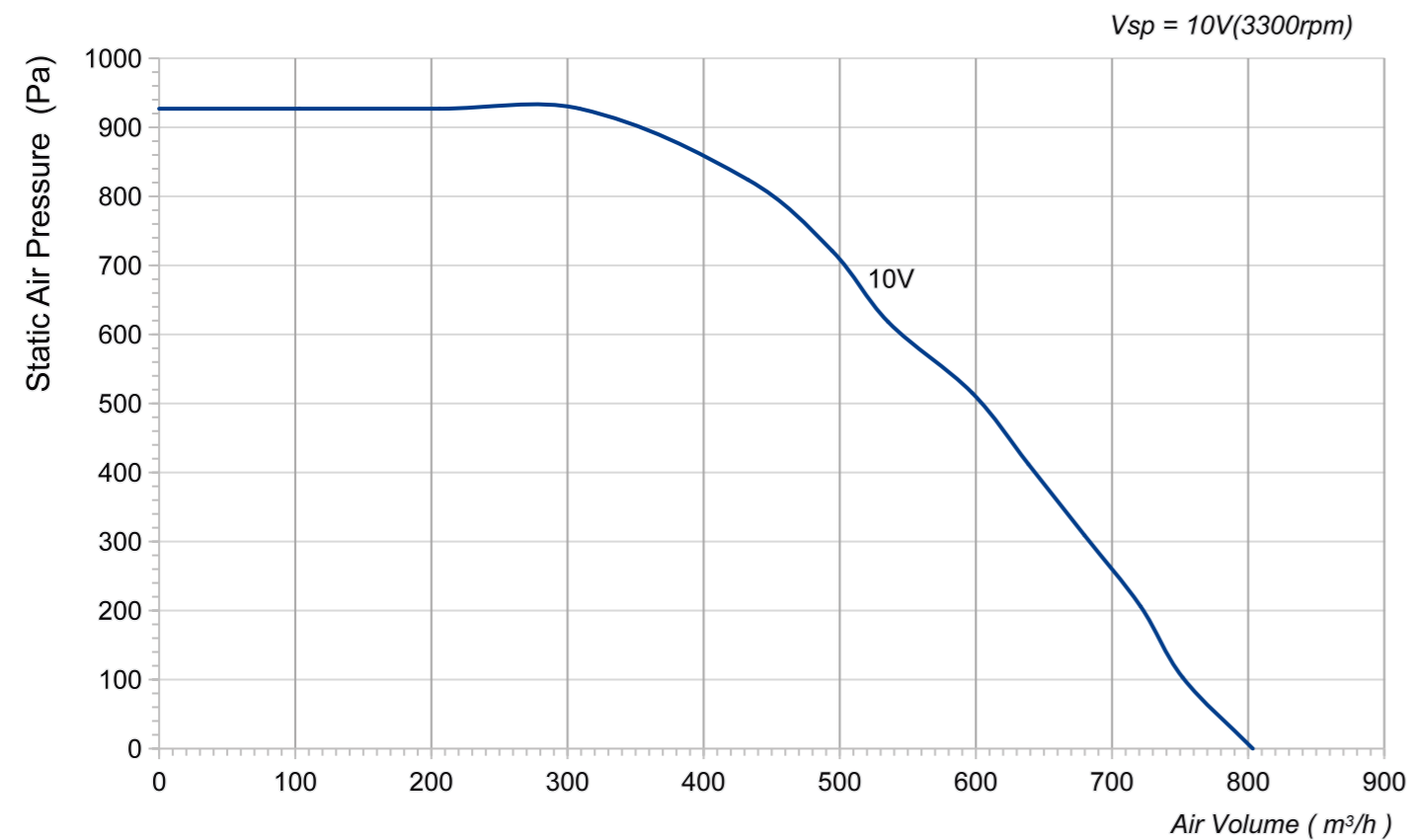
## Product Characteristic

- Material : Galvanised sheet steel
- Mode of operation: S1
- Type of operation: IP55
- Insulation class: B
- Bearing: Maintenance-free ball bearings
- Operation Temperature: -30~+60 C

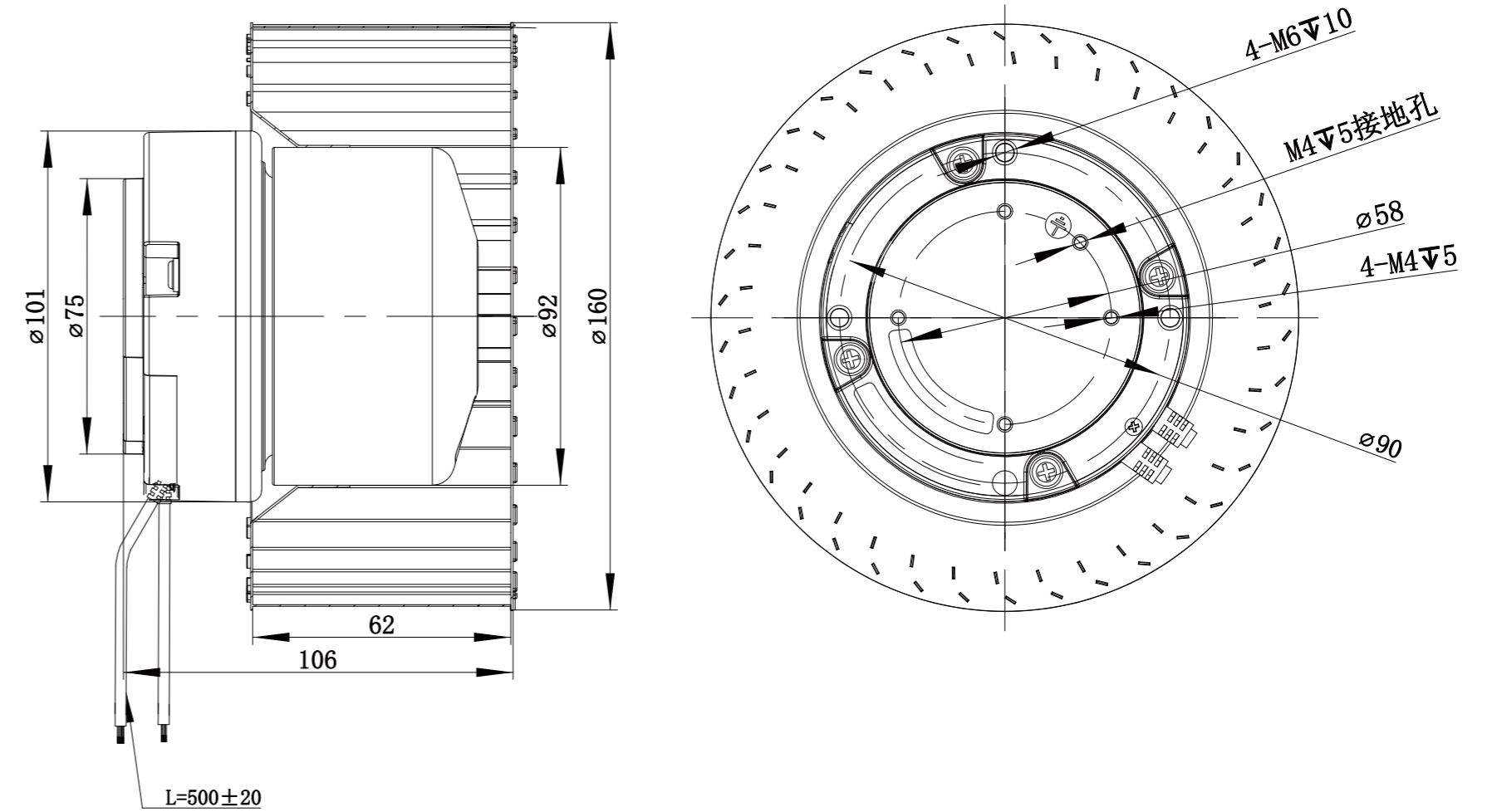


## Technical Specifications

| Model              | Voltage (V) | Frequency (Hz) | Power (W) | Current (A) | Speed (RPM) | Air Flow (m³/h) | Air Pressure (Pa) | Noise [dB(A)] | Curve |
|--------------------|-------------|----------------|-----------|-------------|-------------|-----------------|-------------------|---------------|-------|
| LWFE3G160-092NS-03 | 230         | 50/60          | 230       | 1.65        | 3300        | 803             | 927               | 75            | /     |



## Product Drawing (mm)



# ***EC Single Inlet Forward Centrifugal Blower***

- Permanent magnet materials
- Chip stereoscopic heat dissipation
- Advanced 3D design impeller
- Oblique magnetization technology
- External rotor motor design
- IP55 Water-proof design



# LWFE-120 Series

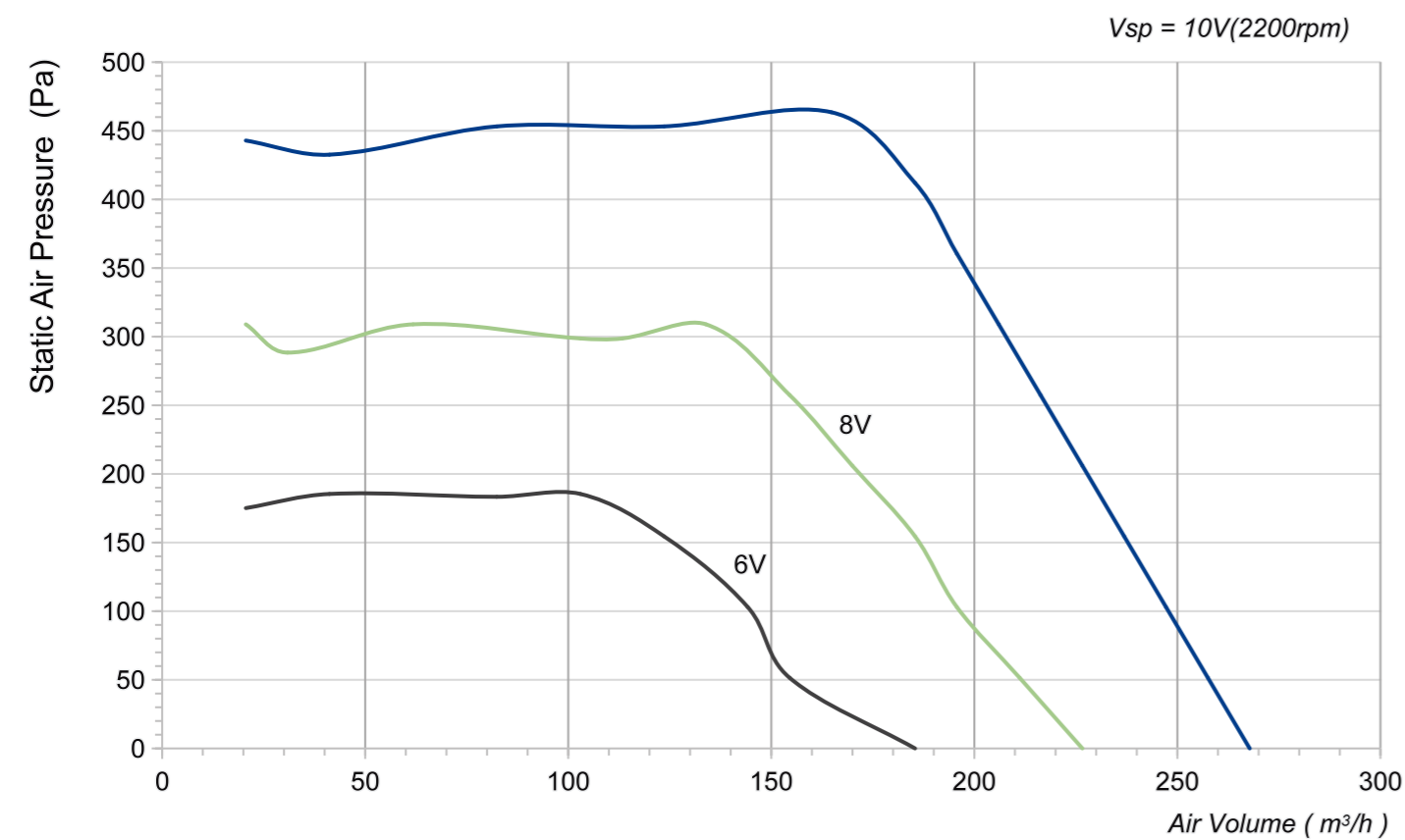
## Product Characteristic

- Material : Galvanised sheet steel
- Mode of operation: S1
- Type of operation: IP54
- Insulation class: F
- Bearing: Maintenance-free ball bearings
- Operation Temperature: -30~+60 C

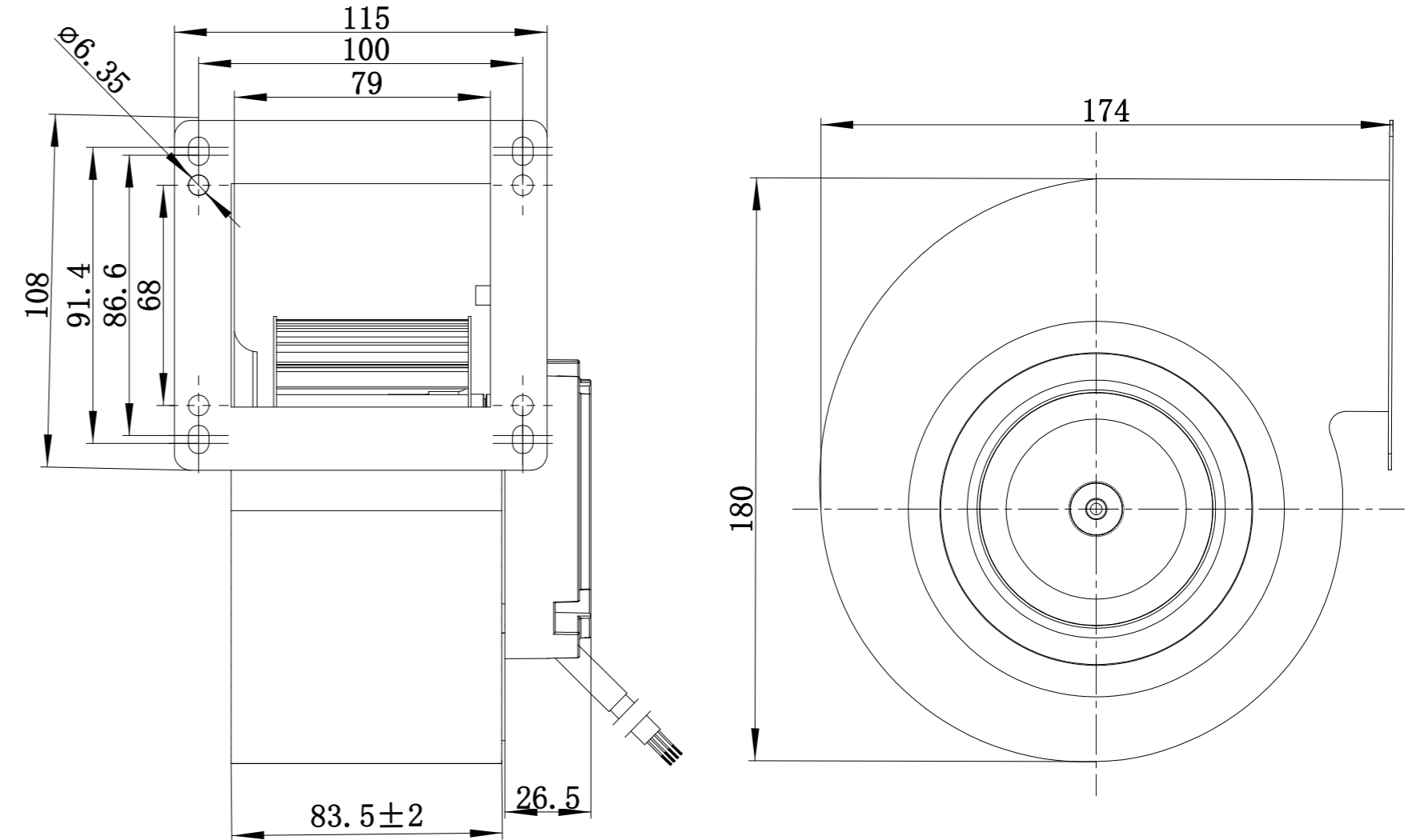


## Technical Specifications

| Model              | Voltage (V) | Frequency (Hz) | Power (W) | Current (A) | Speed (RPM) | Air Flow (m³/h) | Air Pressure (Pa) | Noise [dB(A)] | Curve |
|--------------------|-------------|----------------|-----------|-------------|-------------|-----------------|-------------------|---------------|-------|
| LWFE3G120-072SS-01 | 230         | 50/60          | 42        | 0.3         | 2200        | 268             | 443               | 60            | /     |



## Product Drawing (mm)



# LWFE-120 Series

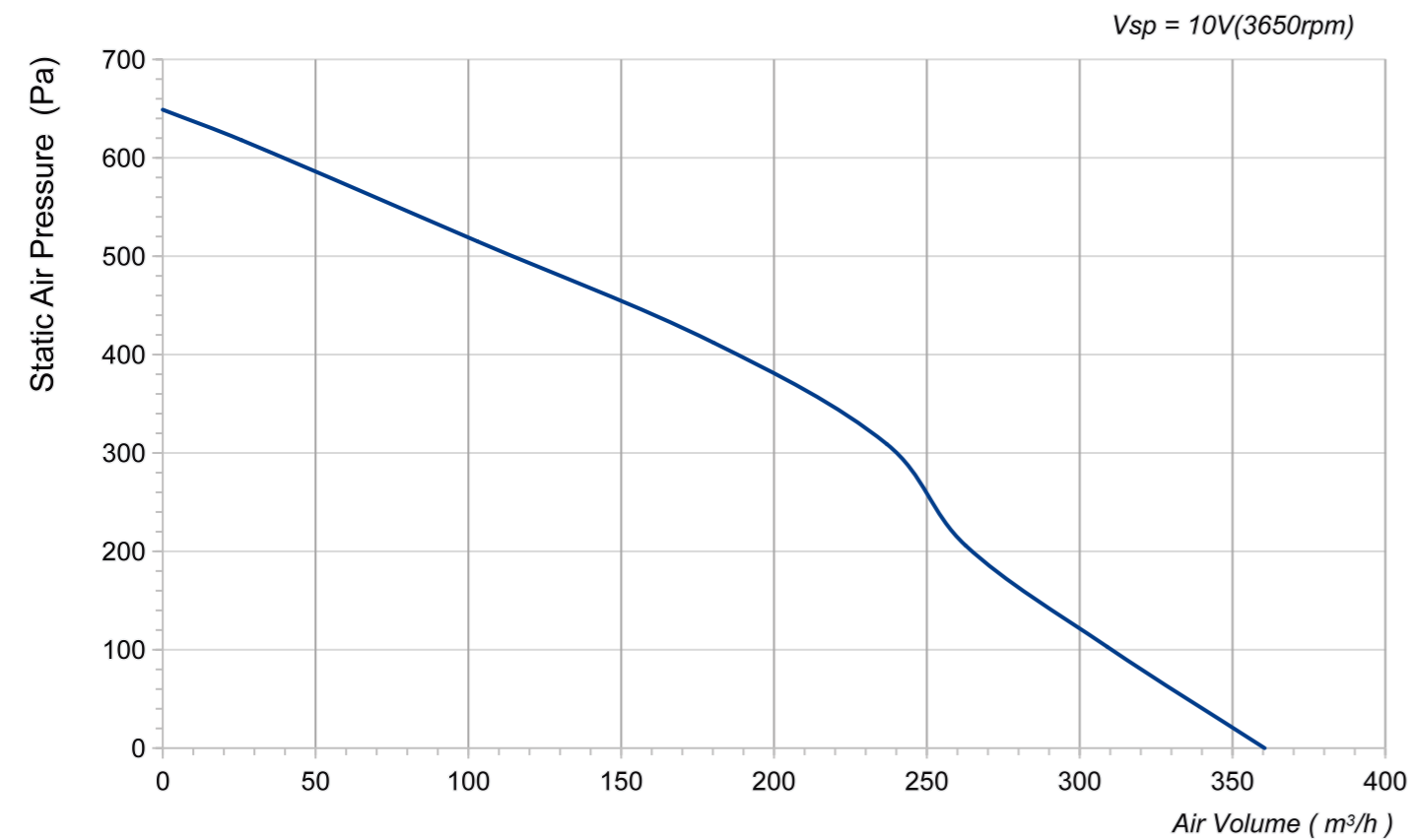
## Product Characteristic

- Material : Galvanised sheet steel
- Mode of operation: S1
- Type of operation: IP55
- Insulation class: B
- Bearing: Maintenance-free ball bearings
- Operation Temperature: -30~+60 C

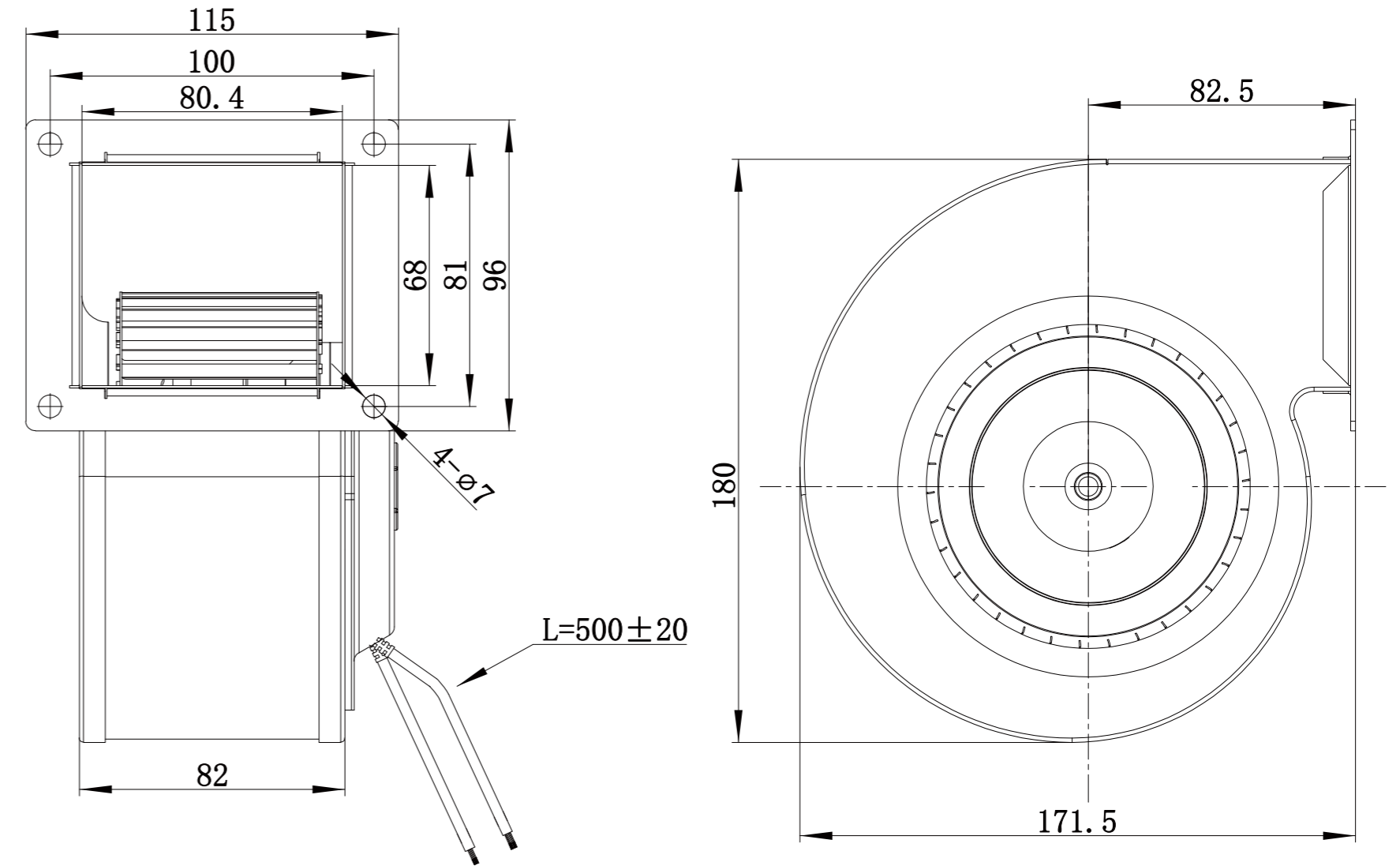


## Technical Specifications

| Model              | Voltage (V) | Frequency (Hz) | Power (W) | Current (A) | Speed (RPM) | Air Flow (m³/h) | Air Pressure (Pa) | Noise [dB(A)] | Curve |
|--------------------|-------------|----------------|-----------|-------------|-------------|-----------------|-------------------|---------------|-------|
| LWFE3G120-072SS-02 | 230         | 50/60          | 75        | 0.53        | 3650        | 361             | 649               | 61            | /     |



## Product Drawing (mm)



# LWFE-133 Series

## Product Characteristic

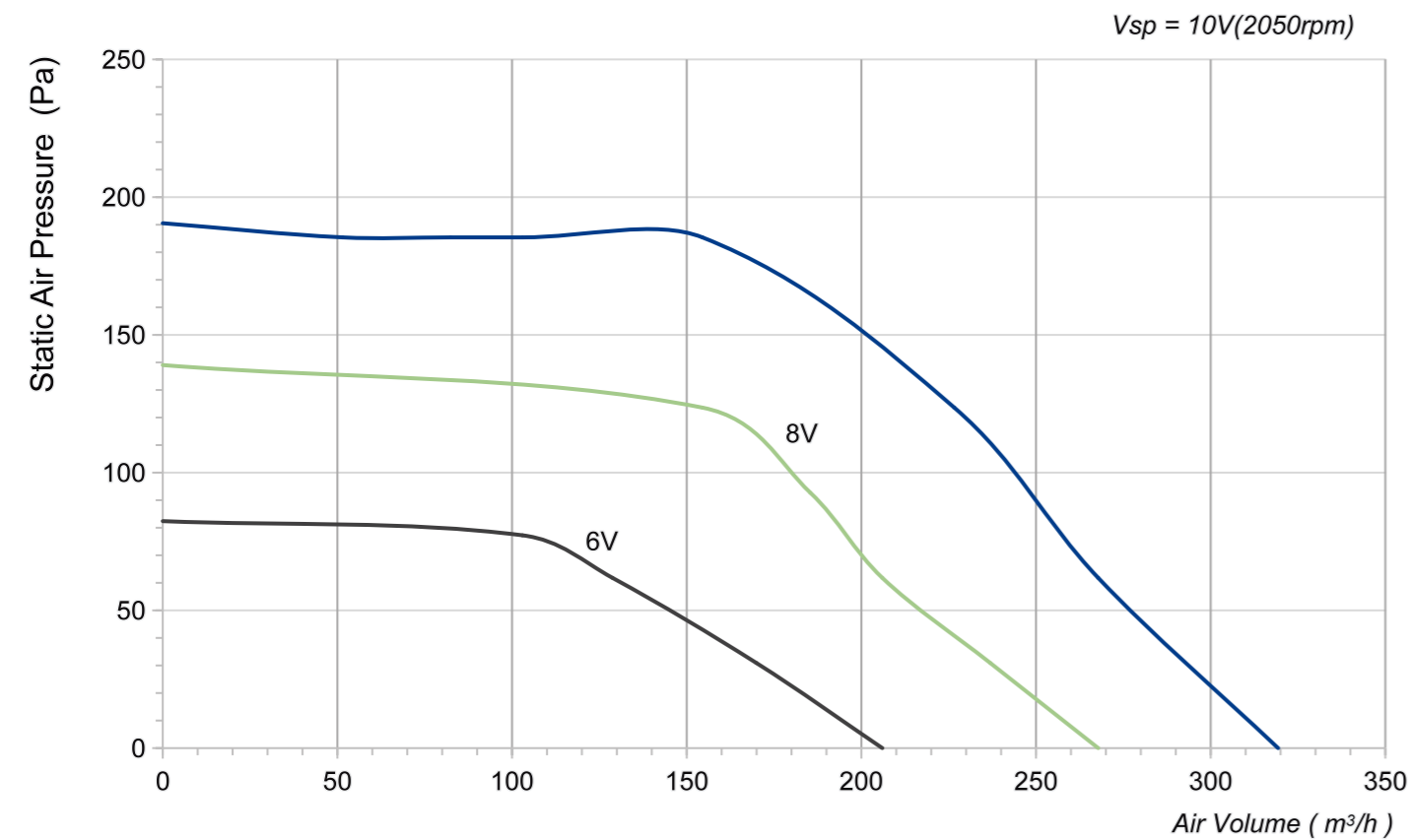
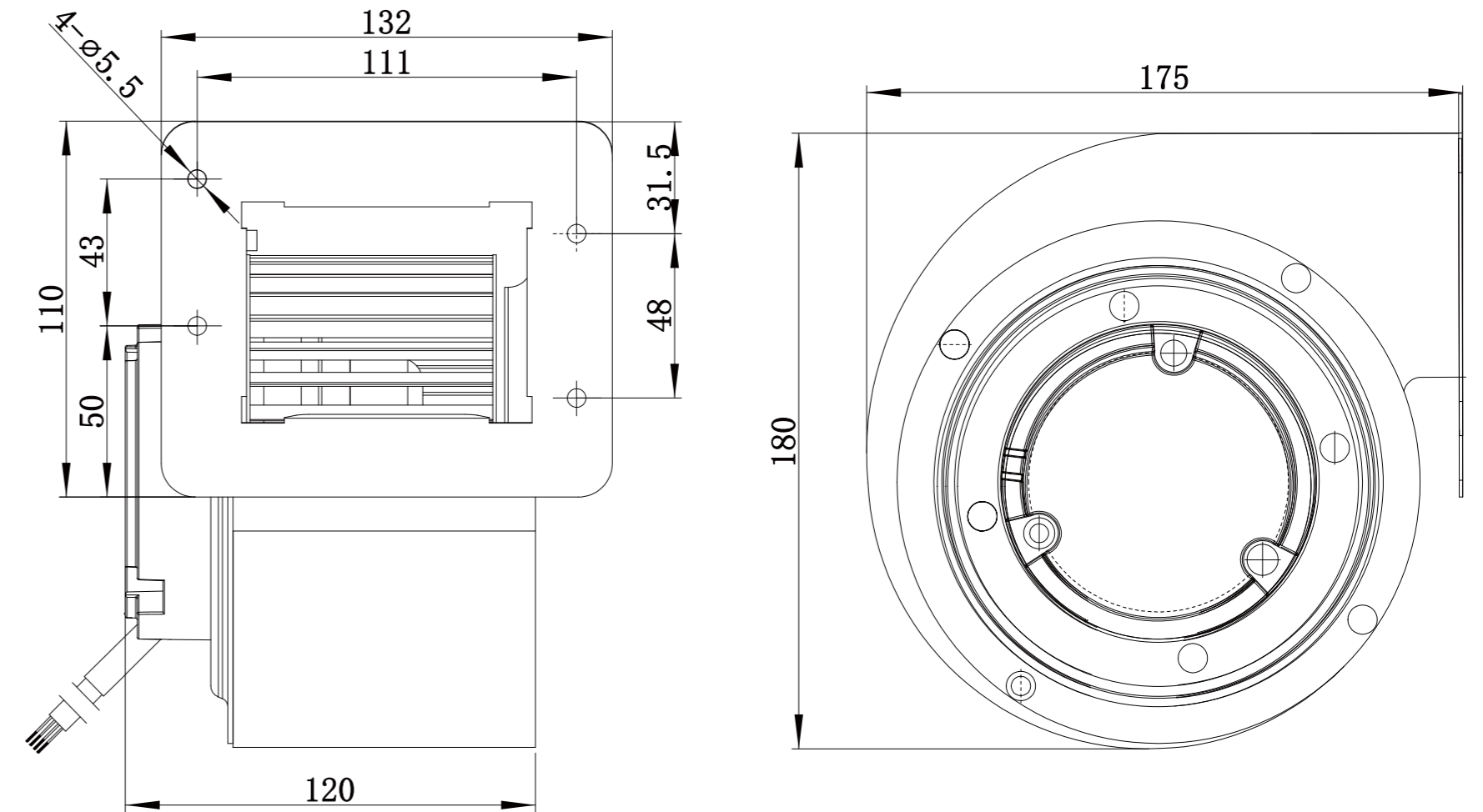
- Material : Galvanised sheet steel
- Mode of operation: S1
- Type of operation: IP54
- Insulation class: F
- Bearing: Maintenance-free ball bearings
- Operation Temperature: -30~+60 C



## Technical Specifications

| Model              | Voltage (V) | Frequency (Hz) | Power (W) | Current (A) | Speed (RPM) | Air Flow (m³/h) | Air Pressure (Pa) | Noise [dB(A)] | Curve |
|--------------------|-------------|----------------|-----------|-------------|-------------|-----------------|-------------------|---------------|-------|
| LWFE3G133-072SS-01 | 230         | 50/60          | 65        | 0.5         | 2050        | 319             | 191               | 68            | /     |

## Product Drawing (mm)



# LWFE-140 Series

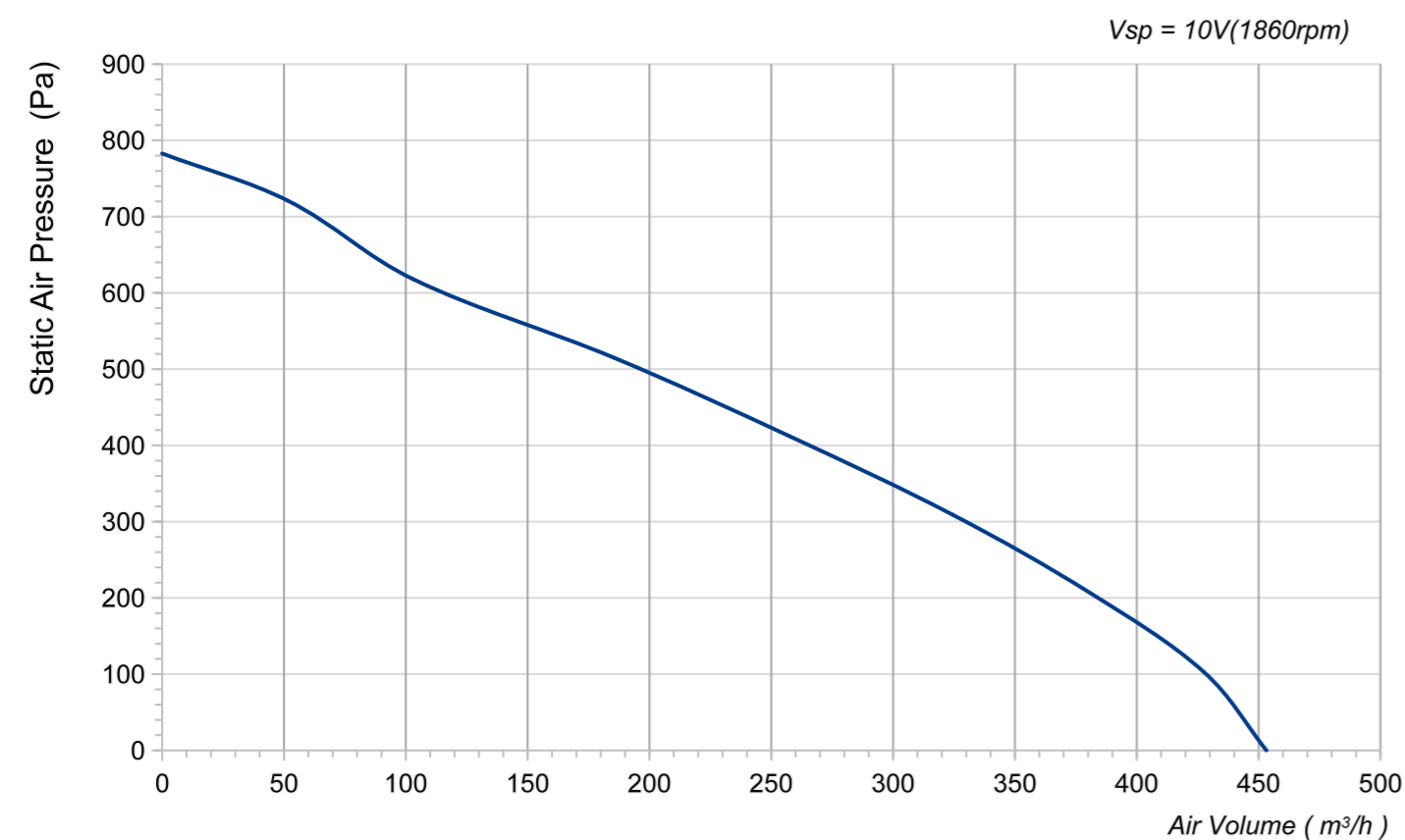
## Product Characteristic

- Material : Galvanised sheet steel
- Mode of operation: S1
- Type of operation: IP55
- Insulation class: B
- Bearing: Maintenance-free ball bearings
- Operation Temperature: -30~+60 C

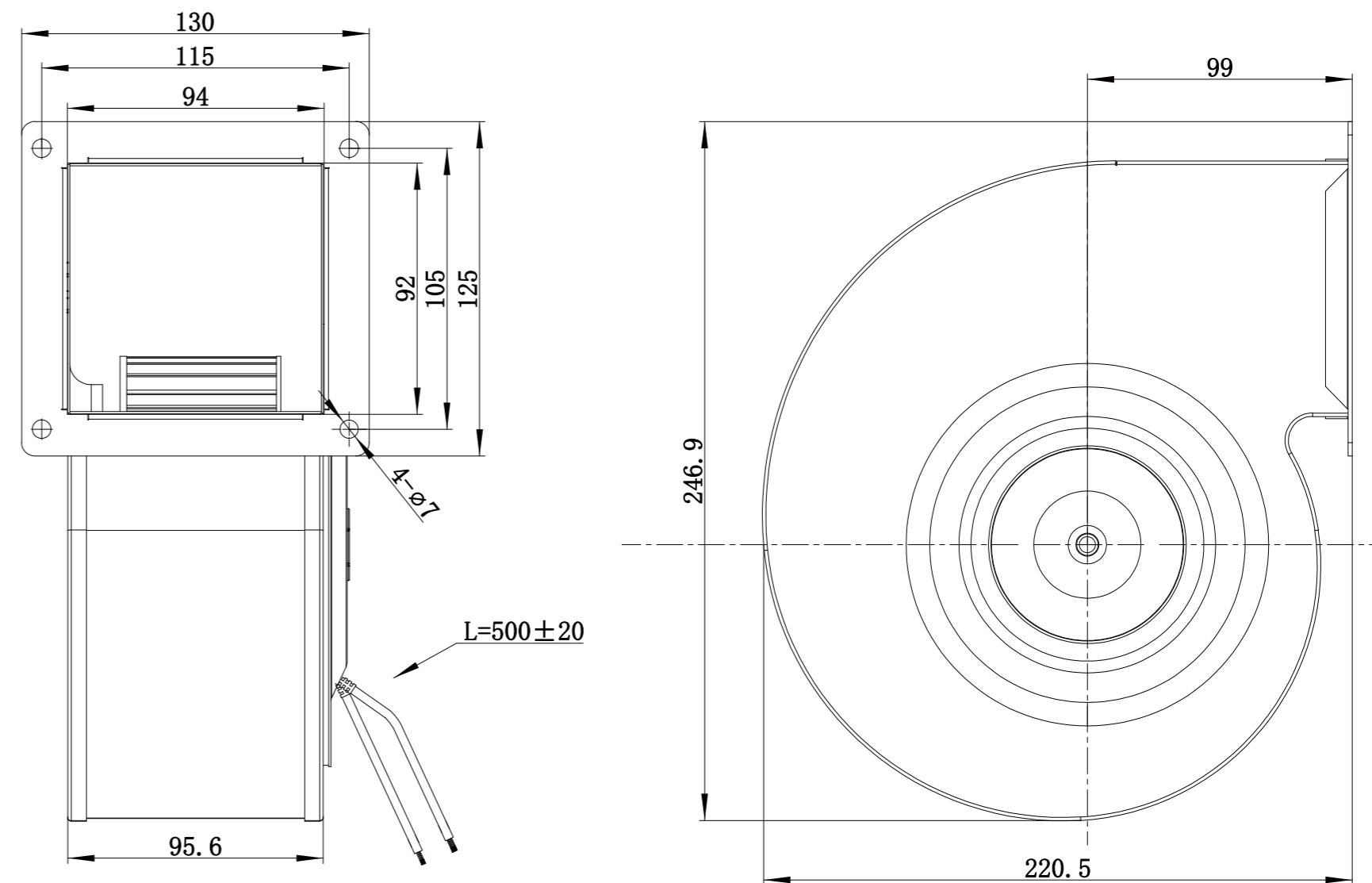


## Technical Specifications

| Model              | Voltage (V) | Frequency (Hz) | Power (W) | Current (A) | Speed (RPM) | Air Flow (m³/h) | Air Pressure (Pa) | Noise [dB(A)] | Curve |
|--------------------|-------------|----------------|-----------|-------------|-------------|-----------------|-------------------|---------------|-------|
| LWFE3G140-072SS-01 | 230         | 50/60          | 85        | 0.62        | 1860        | 453             | 783               | 72            | /     |



## Product Drawing (mm)



# LWFE-140 Series

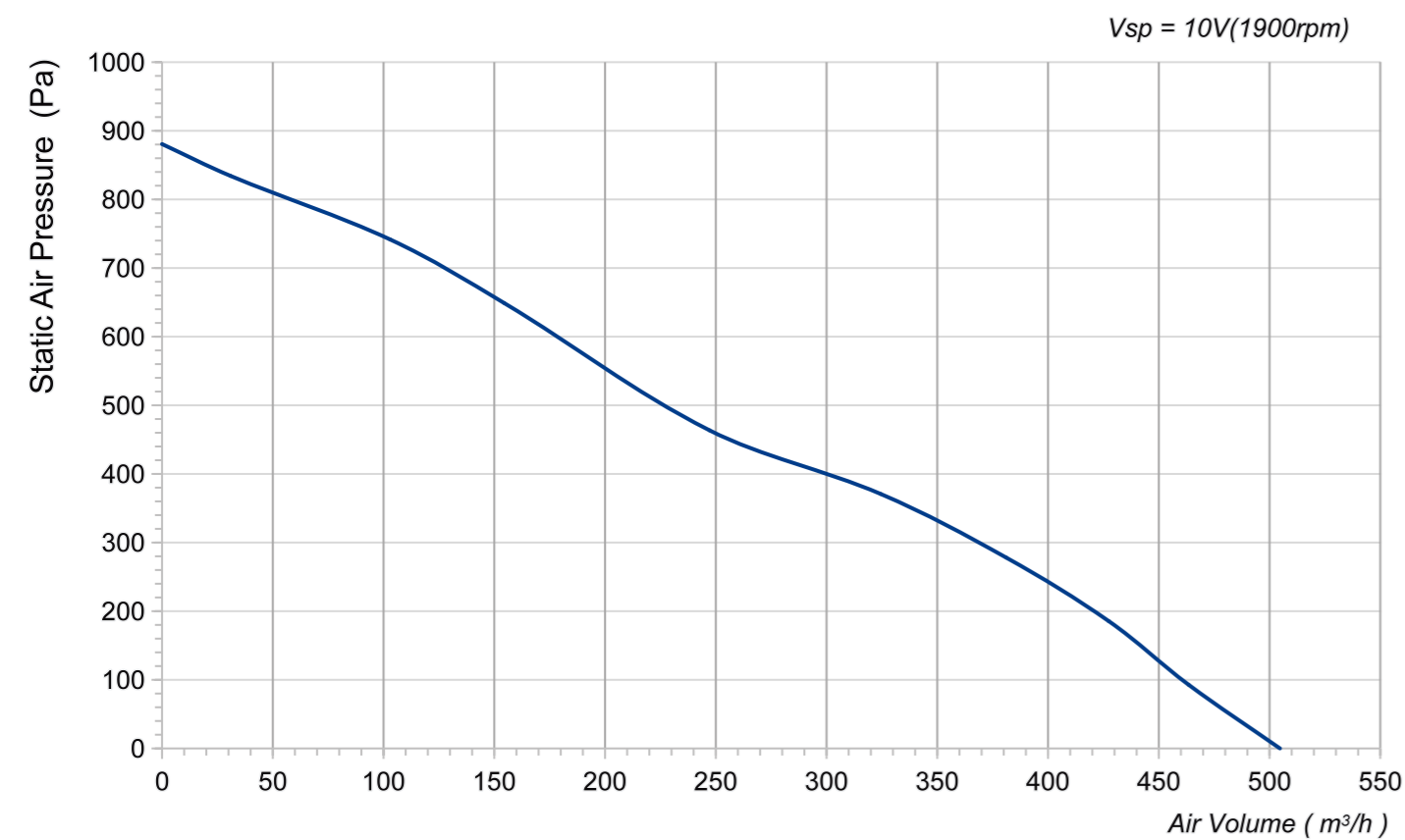
## Product Characteristic

- Material : PA6+GF
- Mode of operation: S1
- Type of operation: IP55
- Insulation class: B
- Bearing: Maintenance-free ball bearings
- Operation Temperature: -30~+60 C

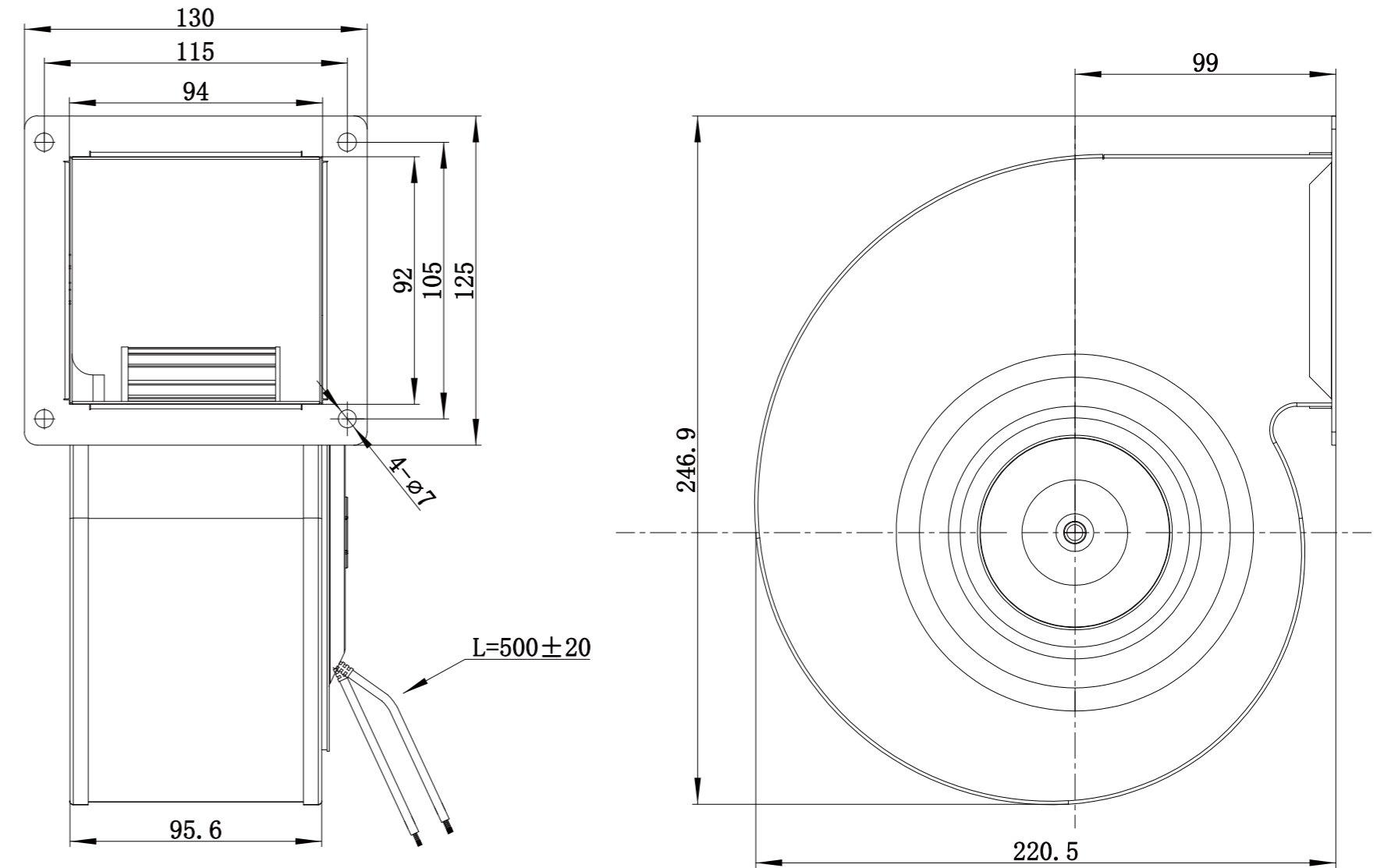


## Technical Specifications

| Model              | Voltage (V) | Frequency (Hz) | Power (W) | Current (A) | Speed (RPM) | Air Flow (m³/h) | Air Pressure (Pa) | Noise [dB(A)] | Curve |
|--------------------|-------------|----------------|-----------|-------------|-------------|-----------------|-------------------|---------------|-------|
| LWFE3G140-072SS-02 | 230         | 50/60          | 85        | 0.62        | 1900        | 505             | 881               | 61            | /     |



## Product Drawing (mm)



# LWFE-140 Series

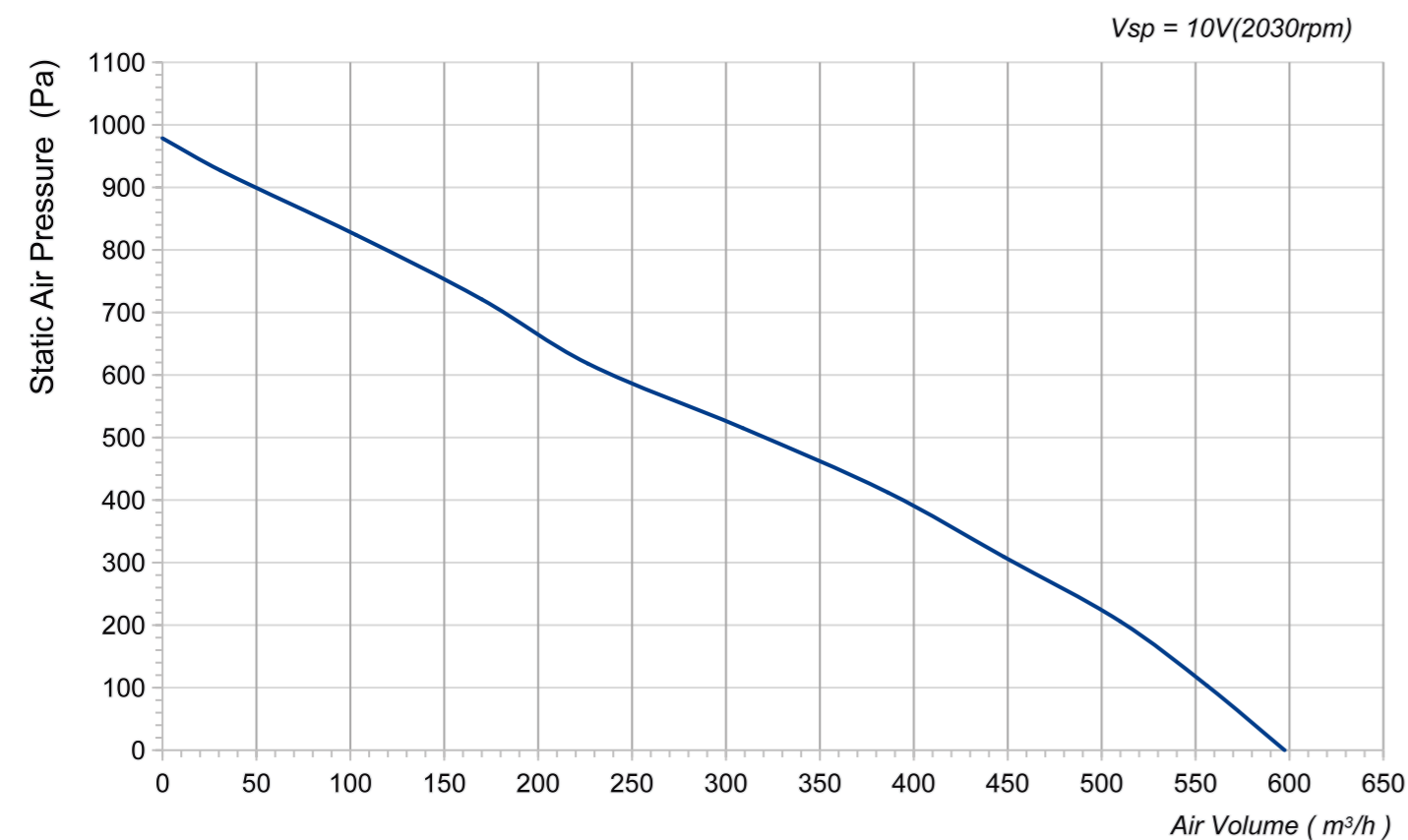
## Product Characteristic

- Material : Galvanised sheet steel
- Mode of operation: S1
- Type of operation: IP55
- Insulation class: B
- Bearing: Maintenance-free ball bearings
- Operation Temperature: -30~+60 C

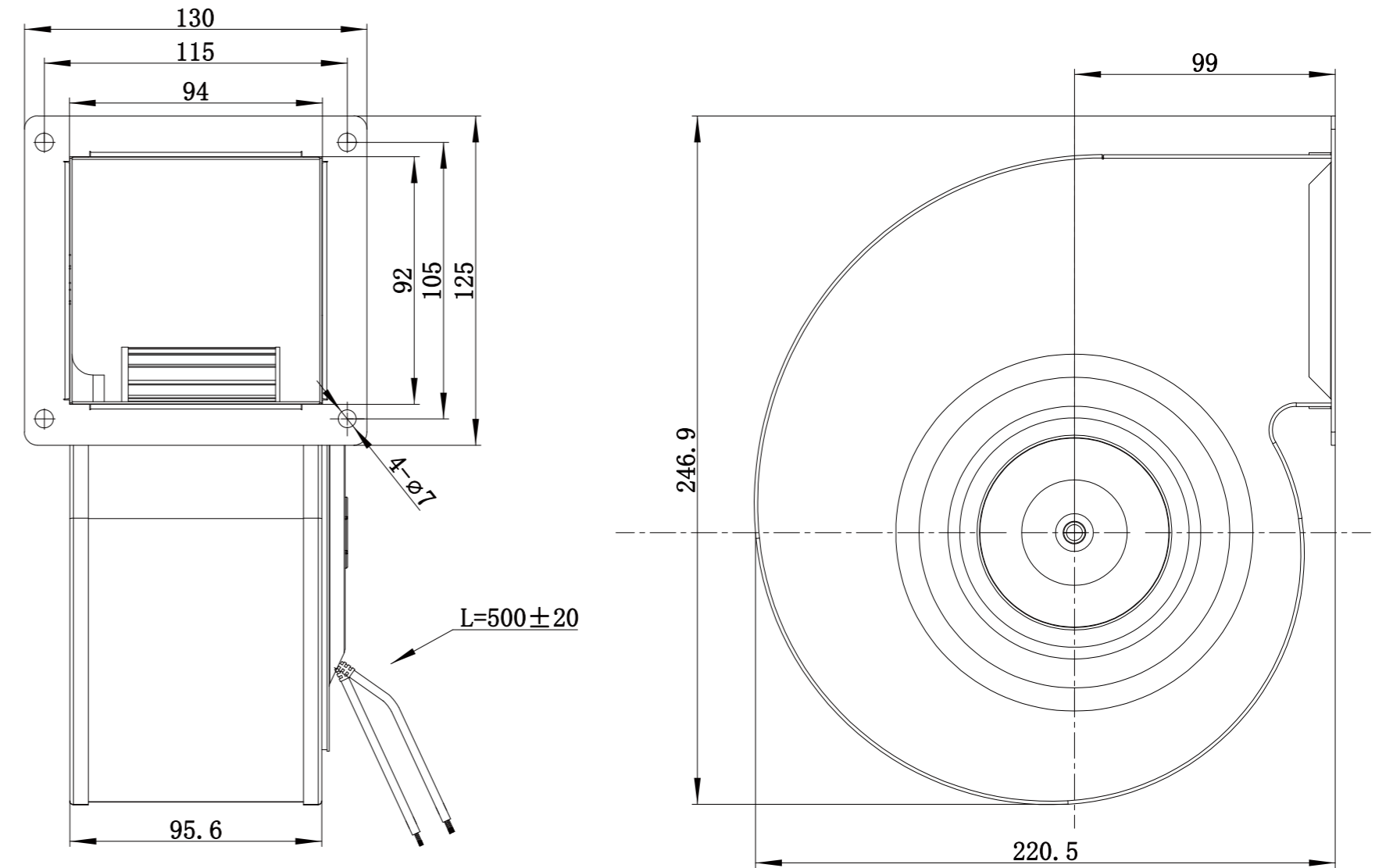


## Technical Specifications

| Model              | Voltage (V) | Frequency (Hz) | Power (W) | Current (A) | Speed (RPM) | Air Flow (m³/h) | Air Pressure (Pa) | Noise [dB(A)] | Curve |
|--------------------|-------------|----------------|-----------|-------------|-------------|-----------------|-------------------|---------------|-------|
| LWFE3G140-072SS-03 | 230         | 50/60          | 110       | 0.8         | 2030        | 597             | 979               | 65            | /     |



## Product Drawing (mm)



# LWFE-140 Series

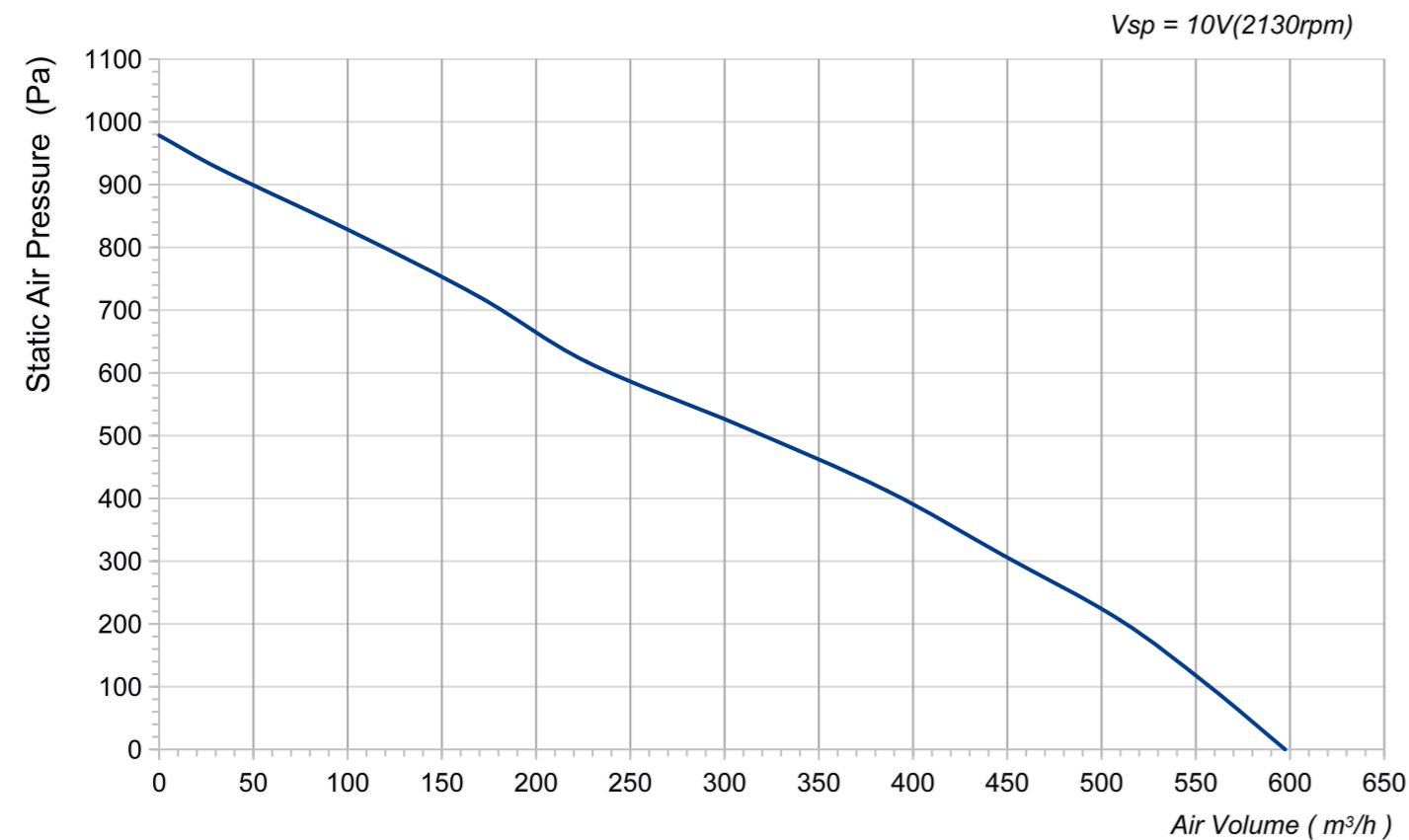
## Product Characteristic

- Material : PA6+GF
- Mode of operation: S1
- Type of operation: IP55
- Insulation class: B
- Bearing: Maintenance-free ball bearings
- Operation Temperature: -30~+60 C

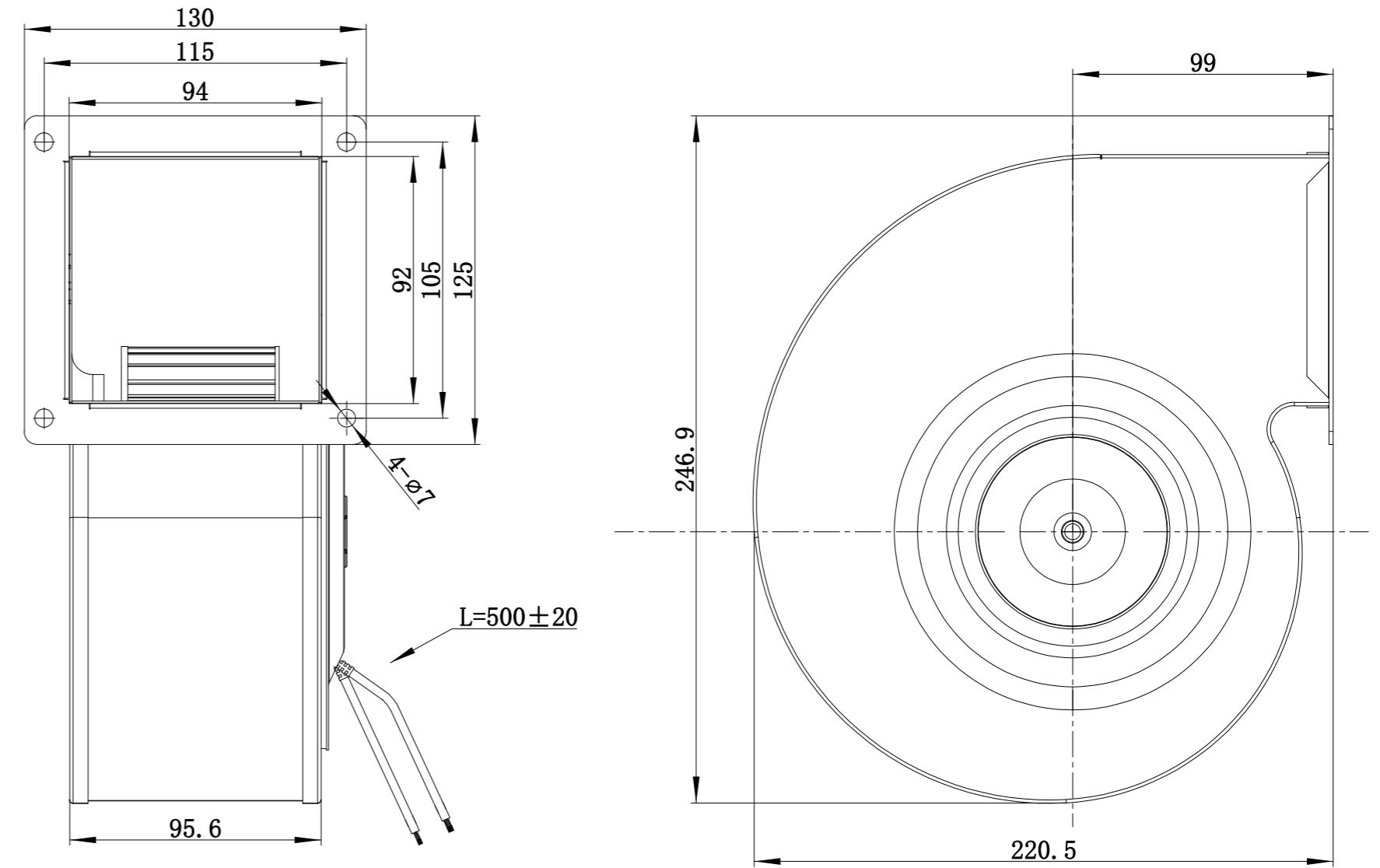


## Technical Specifications

| Model              | Voltage (V) | Frequency (Hz) | Power (W) | Current (A) | Speed (RPM) | Air Flow (m³/h) | Air Pressure (Pa) | Noise [dB(A)] | Curve |
|--------------------|-------------|----------------|-----------|-------------|-------------|-----------------|-------------------|---------------|-------|
| LWFE3G140-072SS-04 | 230         | 50/60          | 110       | 0.8         | 2130        | 597             | 979               | 65            | /     |



## Product Drawing (mm)



# LWFE-150 Series

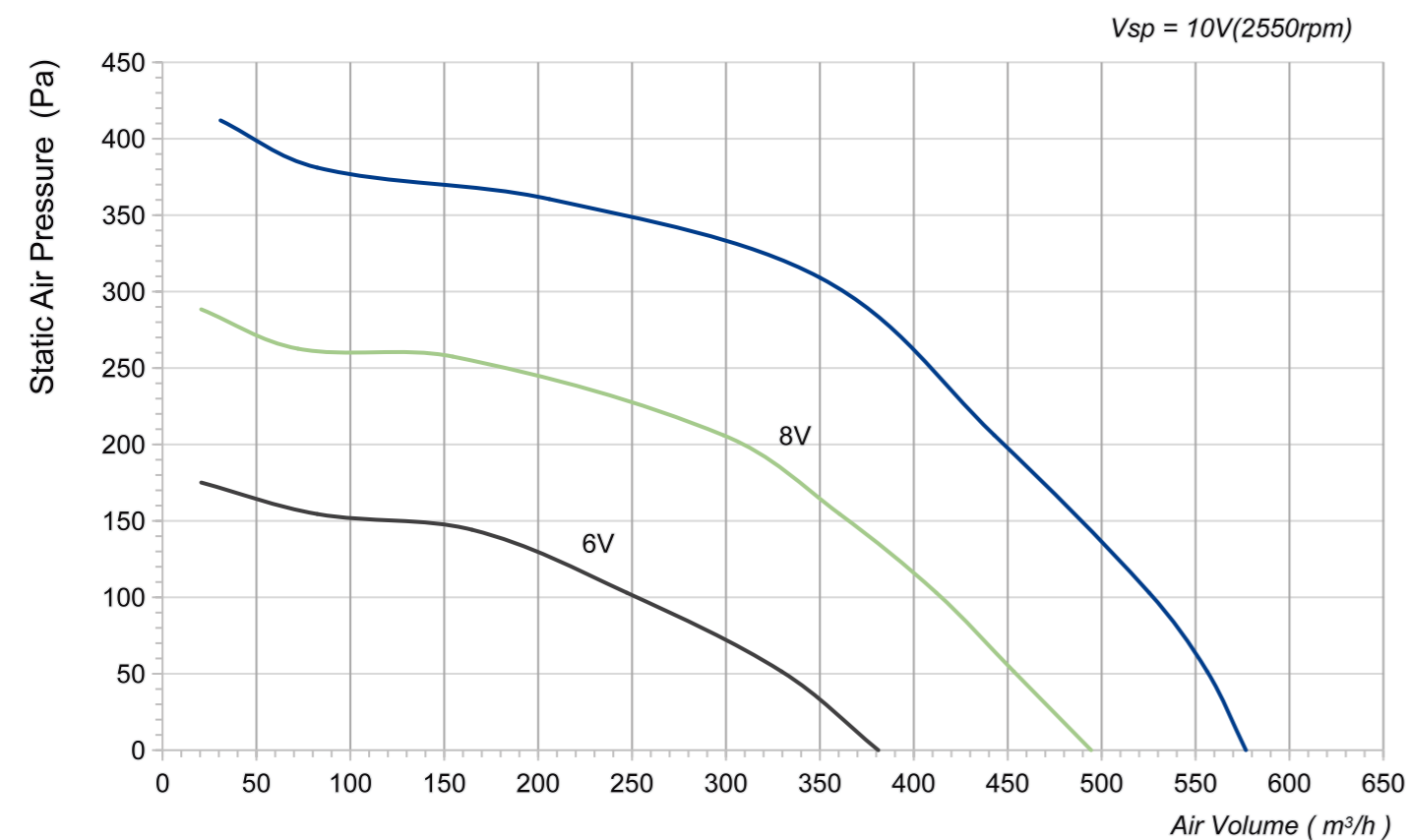
## Product Characteristic

- Material : Galvanised sheet steel
- Mode of operation: S1
- Type of operation: IP54
- Insulation class: F
- Bearing: Maintenance-free ball bearings
- Operation Temperature: -30~+60 C

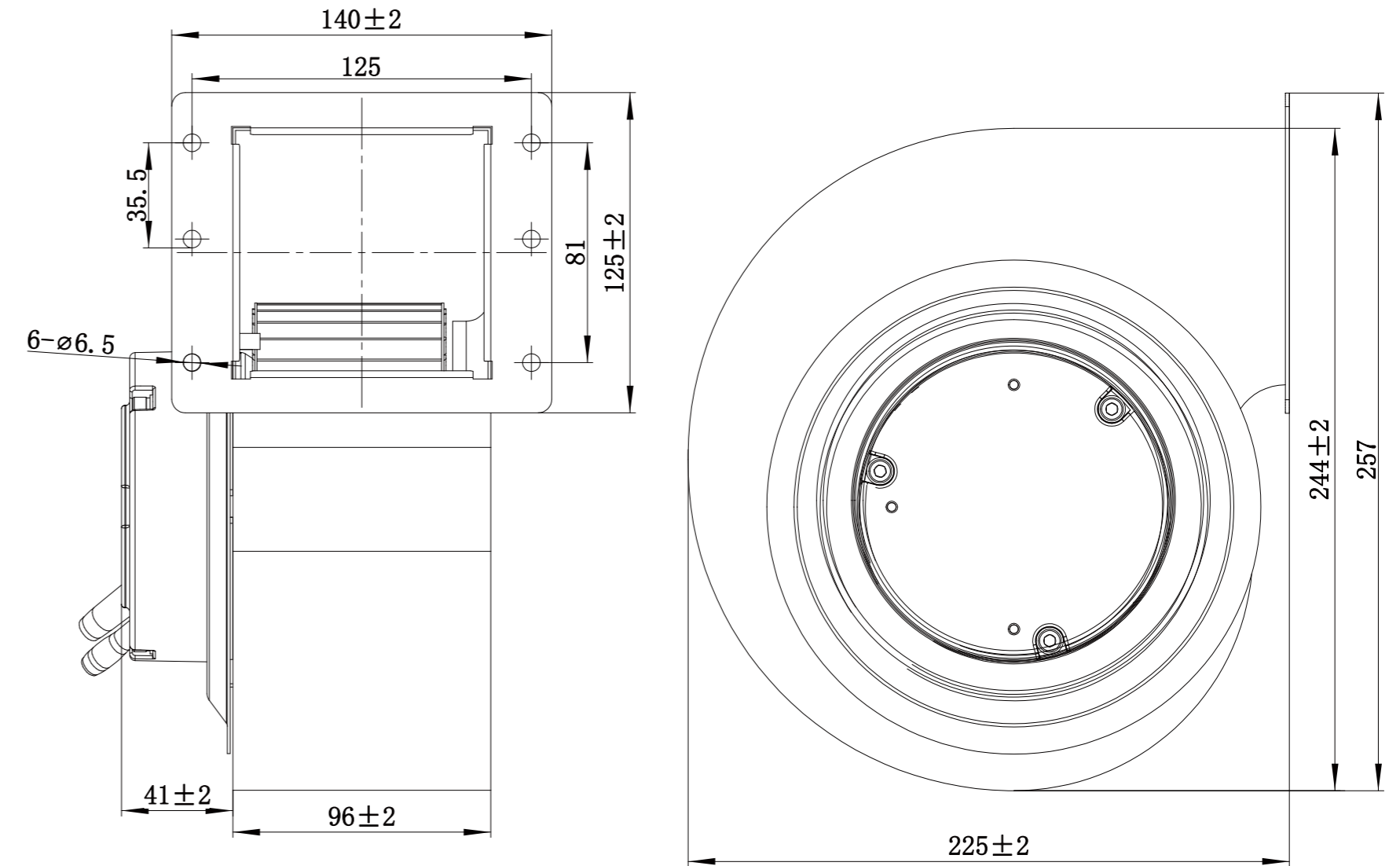


## Technical Specifications

| Model              | Voltage (V) | Frequency (Hz) | Power (W) | Current (A) | Speed (RPM) | Air Flow (m³/h) | Air Pressure (Pa) | Noise [dB(A)] | Curve |
|--------------------|-------------|----------------|-----------|-------------|-------------|-----------------|-------------------|---------------|-------|
| LWFE3G150-092SS-01 | 230         | 50/60          | 150       | 1.4         | 2550        | 577             | 412               | 72            | /     |



## Product Drawing (mm)



# LWFE-160 Series

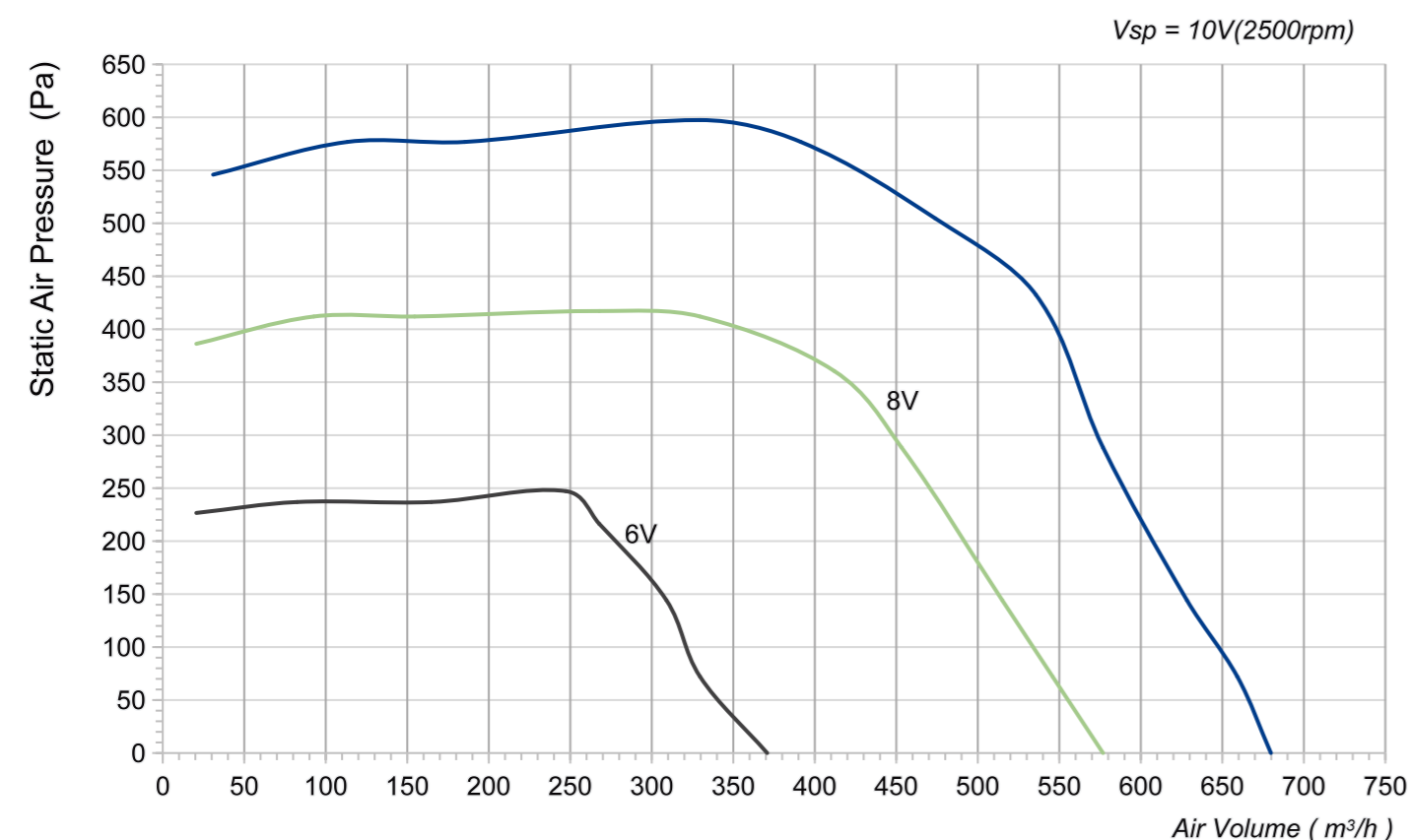
## Product Characteristic

- Material : Galvanised sheet steel
- Mode of operation: S1
- Type of operation: IP54
- Insulation class: F
- Bearing: Maintenance-free ball bearings
- Operation Temperature: -30~+60 C

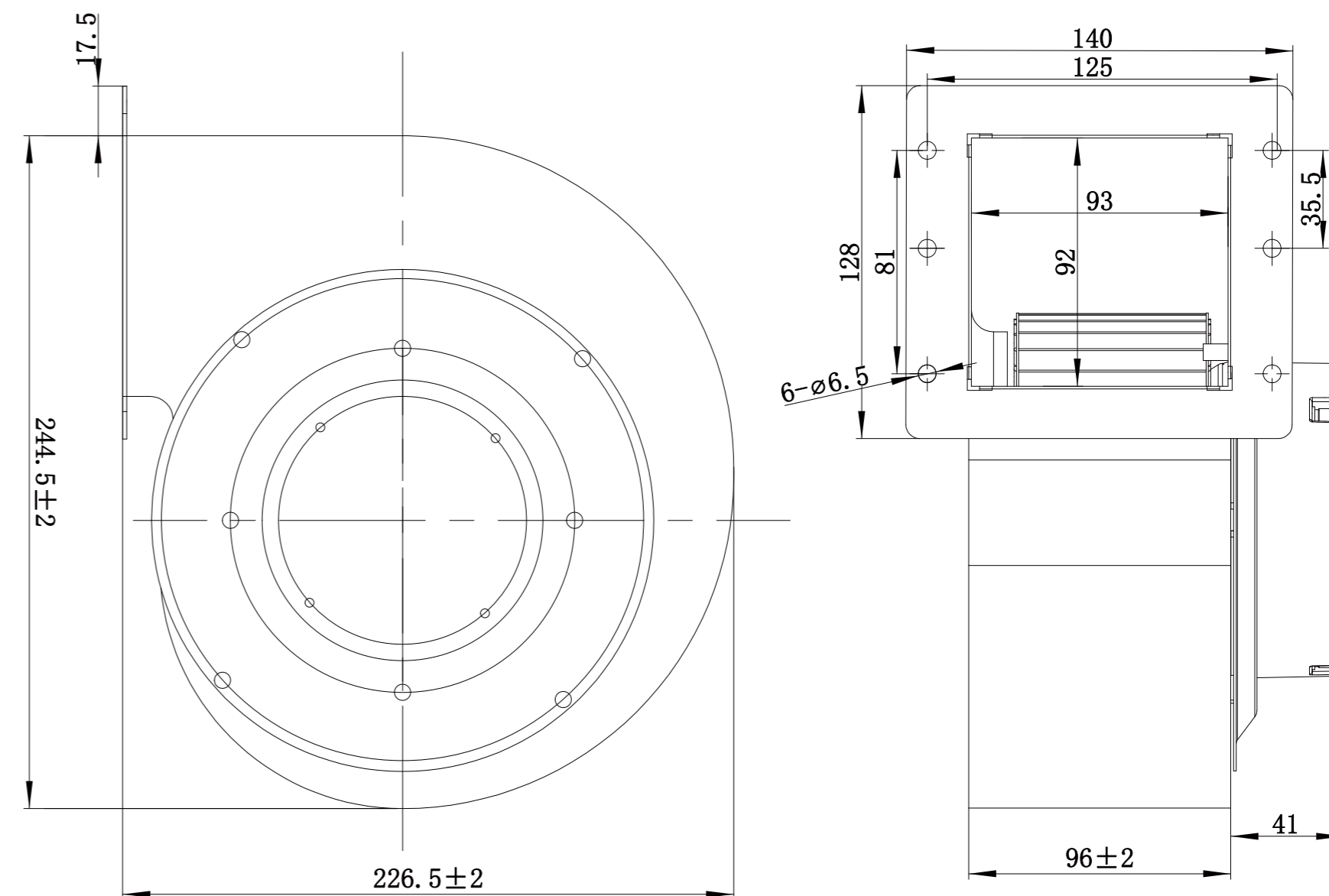


## Technical Specifications

| Model              | Voltage (V) | Frequency (Hz) | Power (W) | Current (A) | Speed (RPM) | Air Flow (m³/h) | Air Pressure (Pa) | Noise [dB(A)] | Curve |
|--------------------|-------------|----------------|-----------|-------------|-------------|-----------------|-------------------|---------------|-------|
| LWFE3G160-092SS-01 | 230         | 50/60          | 240       | 1.8         | 2500        | 680             | 556               | 72            | /     |



## Product Drawing (mm)



# LWFE-160 Series

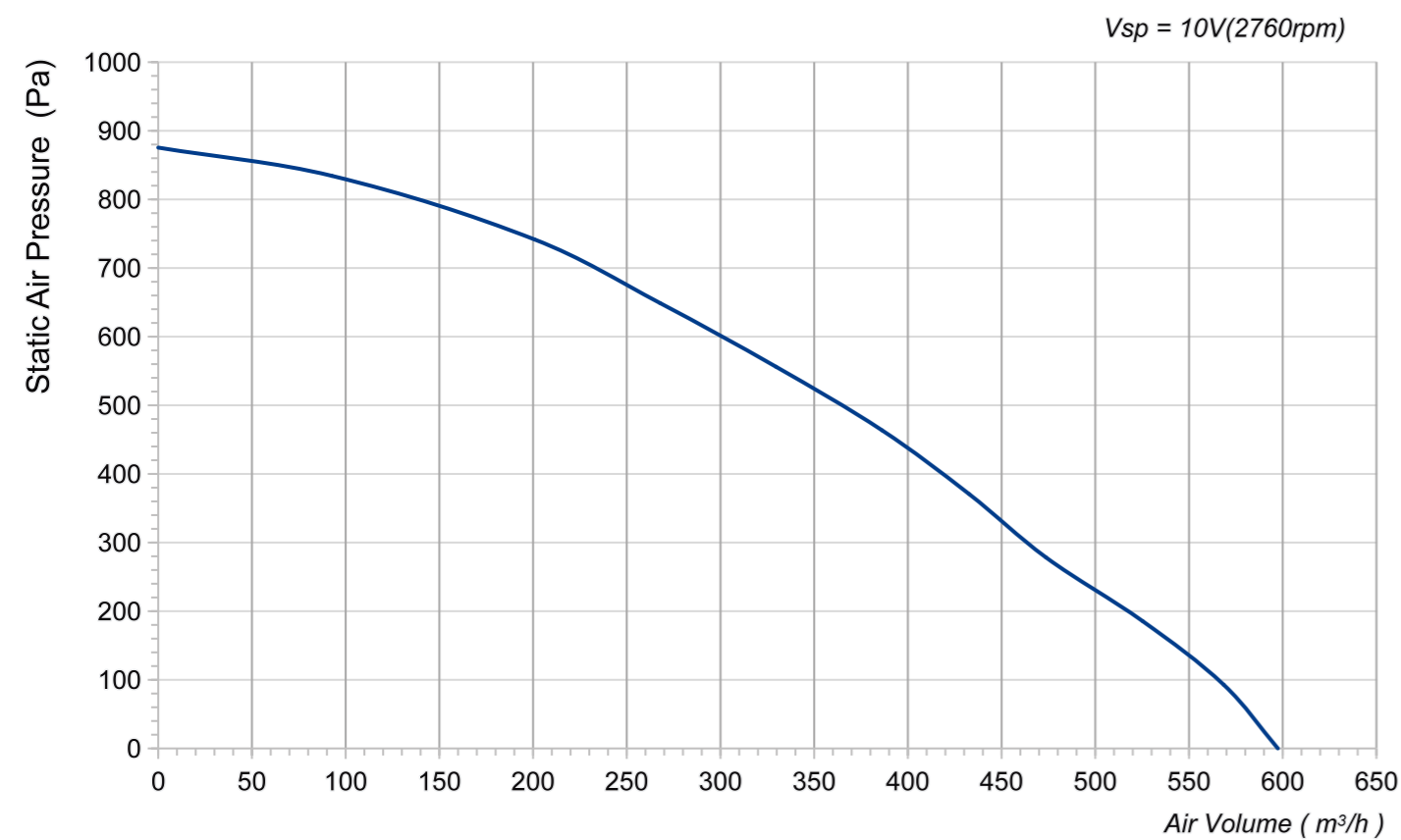
## Product Characteristic

- Material : Galvanised sheet steel
- Mode of operation: S1
- Type of operation: IP55
- Insulation class: B
- Bearing: Maintenance-free ball bearings
- Operation Temperature: -30~+60 C

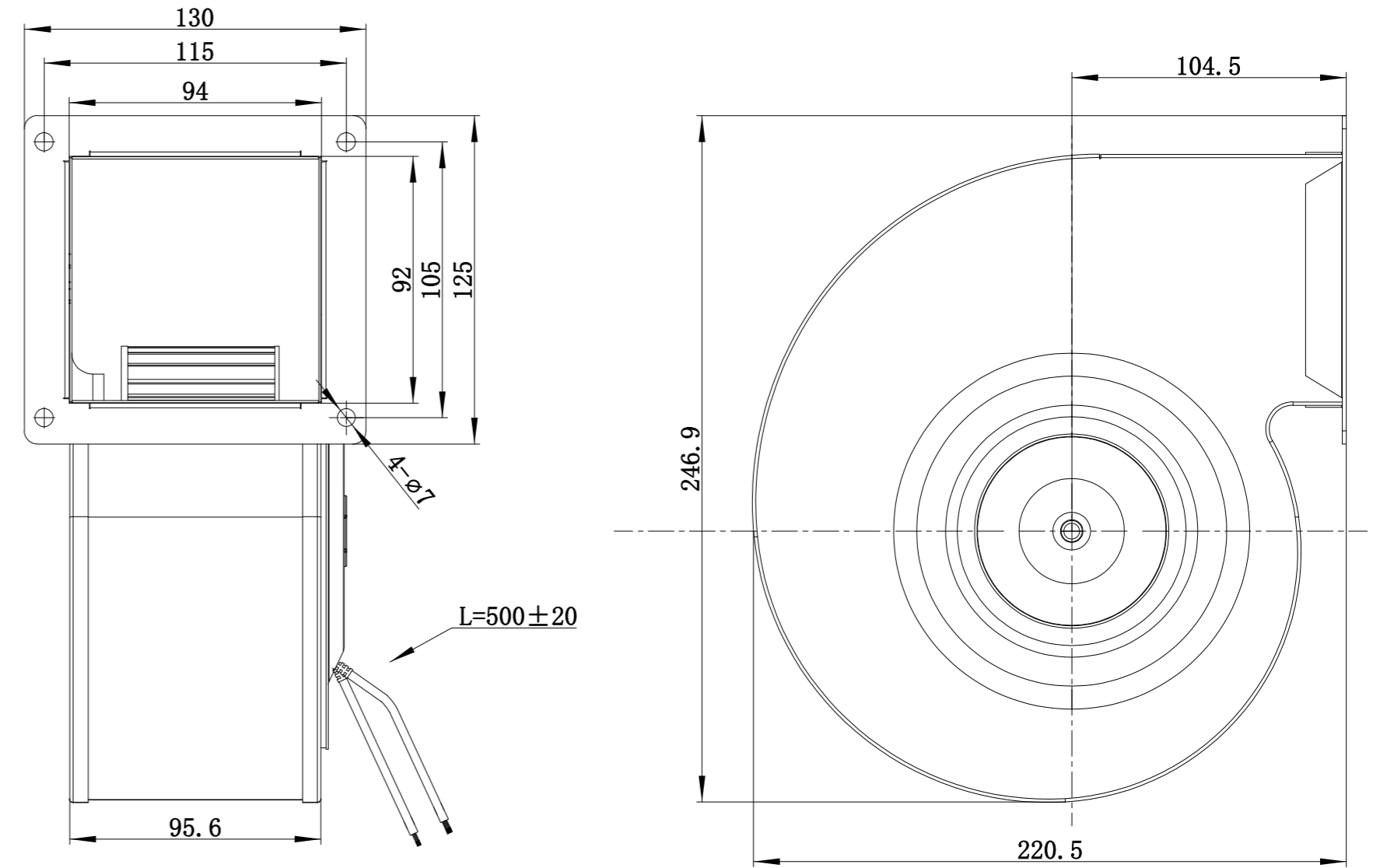


## Technical Specifications

| Model              | Voltage (V) | Frequency (Hz) | Power (W) | Current (A) | Speed (RPM) | Air Flow (m³/h) | Air Pressure (Pa) | Noise [dB(A)] | Curve |
|--------------------|-------------|----------------|-----------|-------------|-------------|-----------------|-------------------|---------------|-------|
| LWFE3G160-072SS-03 | 230         | 50/60          | 115       | 0.9         | 2760        | 597             | 876               | 67            | /     |



## Product Drawing (mm)



# LWFE-160 Series

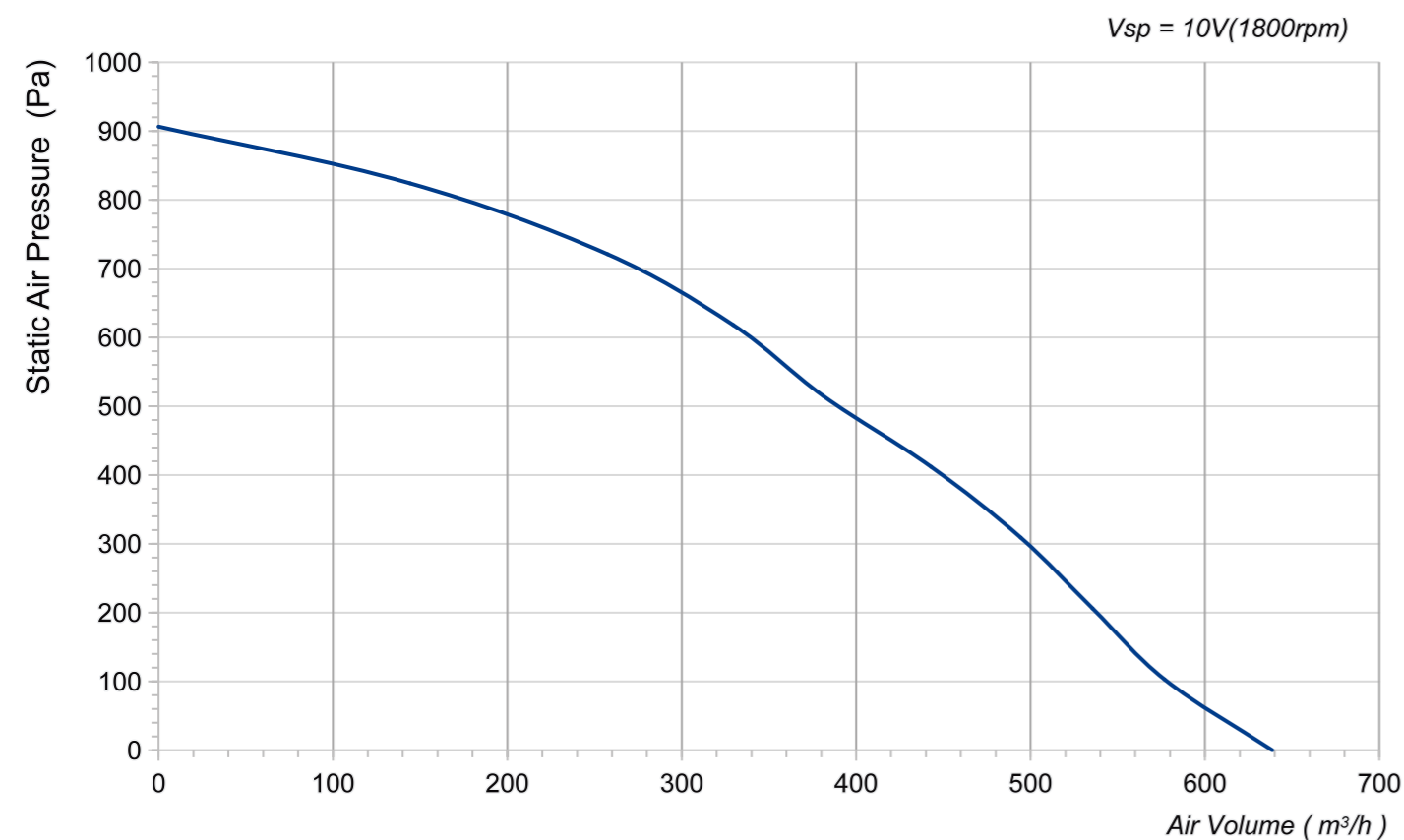
## Product Characteristic

- Material : PA6+GF
- Mode of operation: S1
- Type of operation: IP55
- Insulation class: B
- Bearing: Maintenance-free ball bearings
- Operation Temperature: -30~+60 C

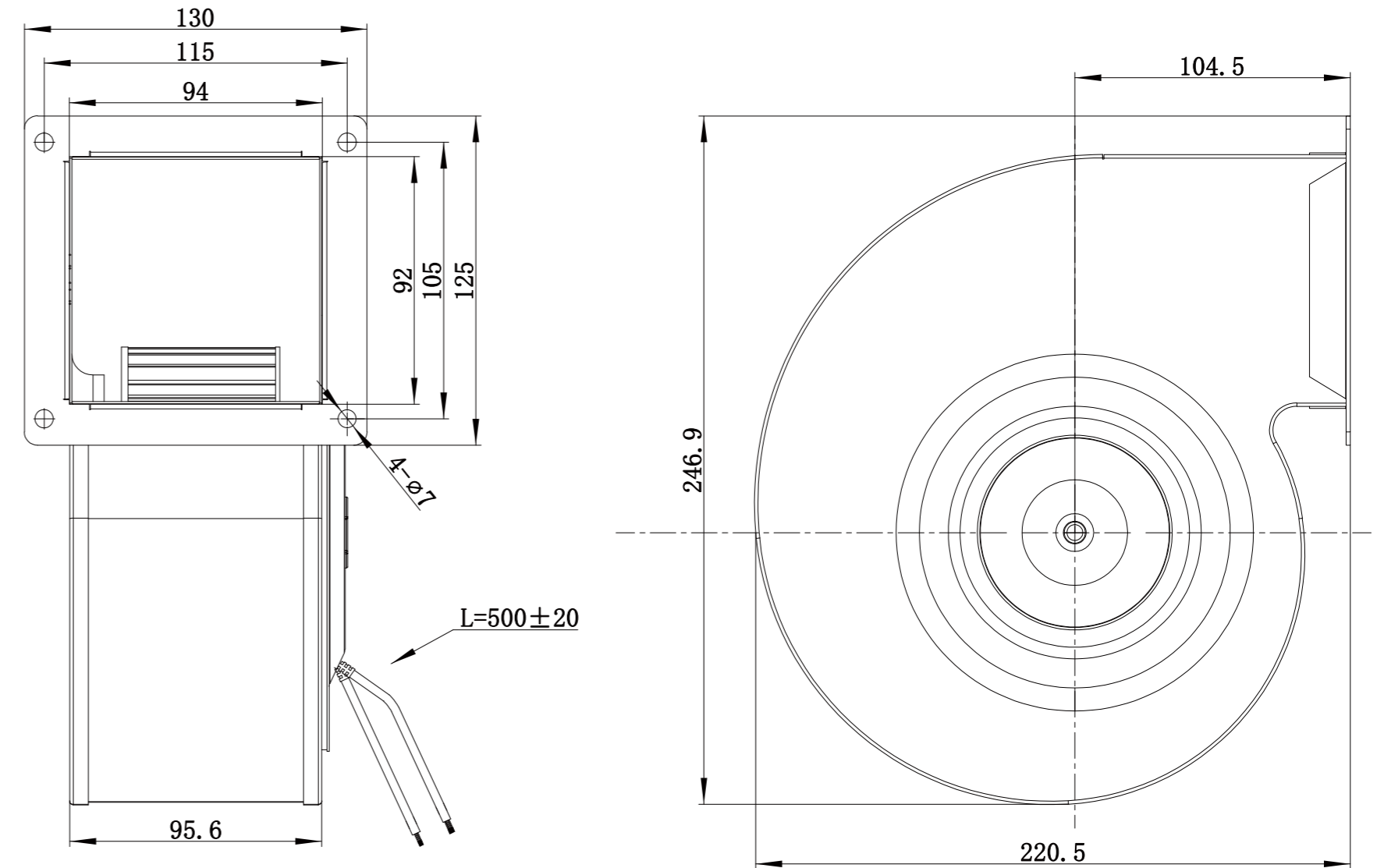


## Technical Specifications

| Model              | Voltage (V) | Frequency (Hz) | Power (W) | Current (A) | Speed (RPM) | Air Flow (m³/h) | Air Pressure (Pa) | Noise [dB(A)] | Curve |
|--------------------|-------------|----------------|-----------|-------------|-------------|-----------------|-------------------|---------------|-------|
| LWFE3G160-072SS-06 | 230         | 50/60          | 115       | 0.85        | 1800        | 639             | 906               | 64            | /     |



## Product Drawing (mm)



# LWFE-160 Series

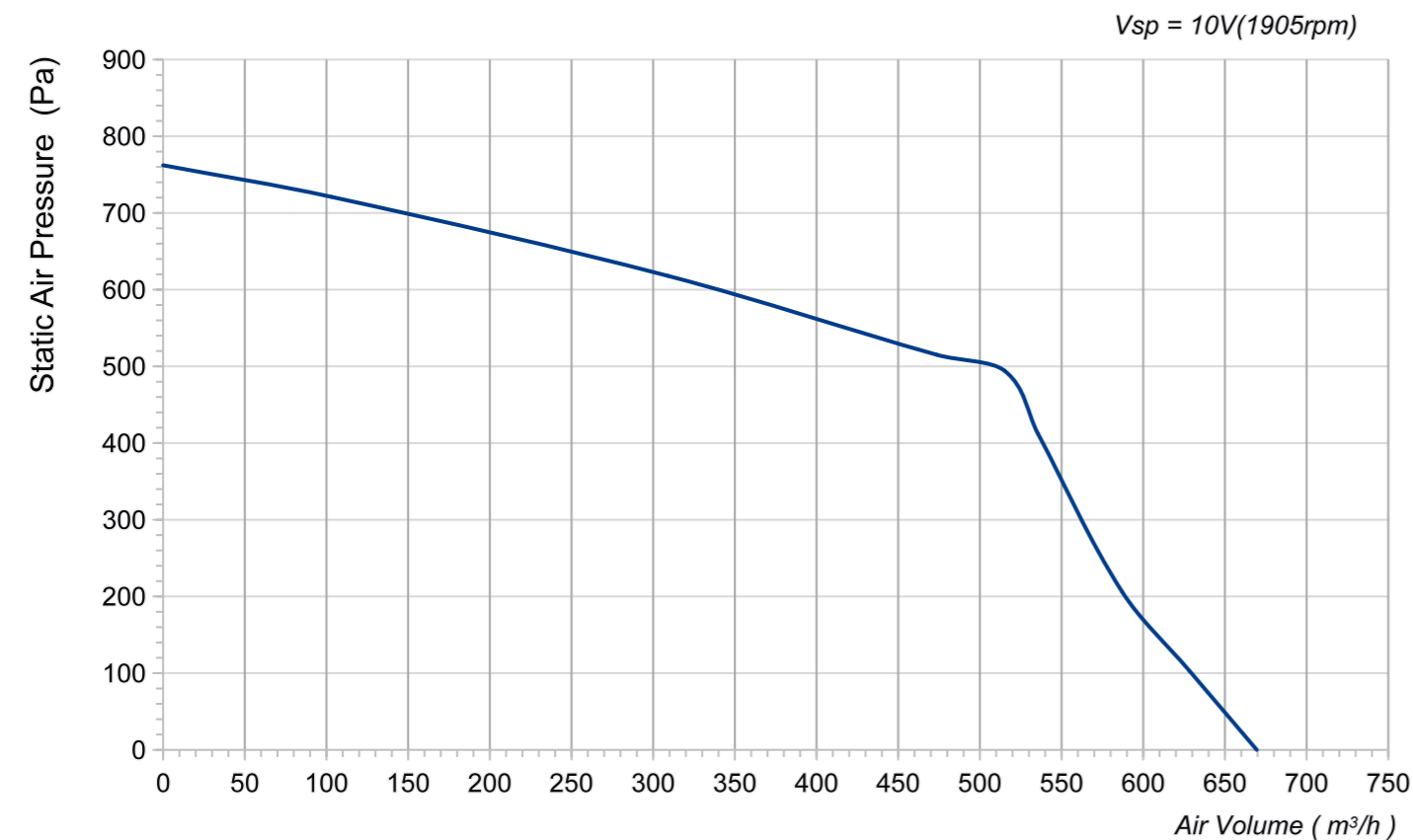
## Product Characteristic

- Material : Galvanised sheet steel
- Mode of operation: S1
- Type of operation: IP54
- Insulation class: F
- Bearing: Maintenance-free ball bearings
- Operation Temperature: -30~+60 C

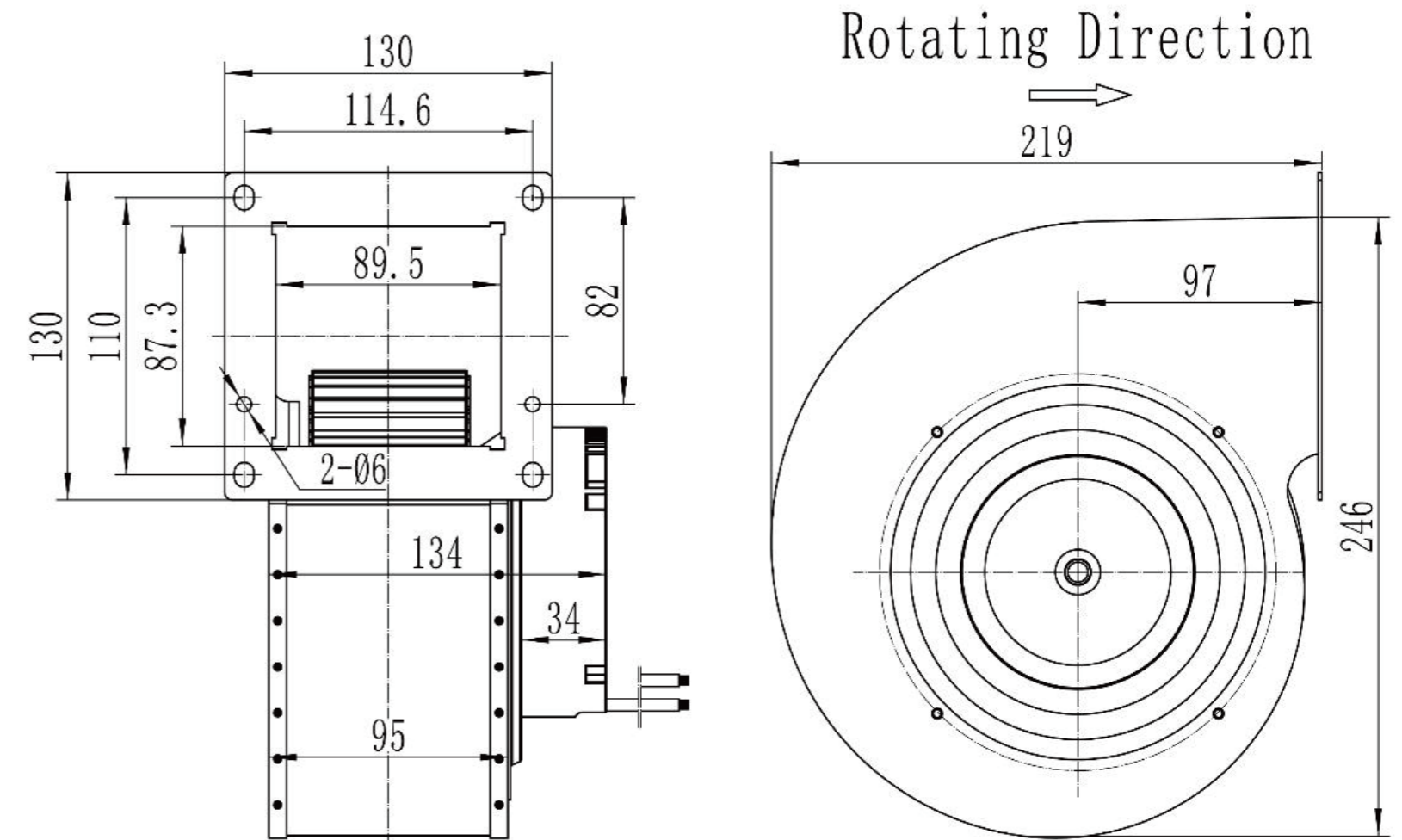


## Technical Specifications

| Model              | Voltage (V) | Frequency (Hz) | Power (W) | Current (A) | Speed (RPM) | Air Flow (m³/h) | Air Pressure (Pa) | Noise [dB(A)] | Curve |
|--------------------|-------------|----------------|-----------|-------------|-------------|-----------------|-------------------|---------------|-------|
| LWFE3G160-092SS-02 | 230         | 50/60          | 143       | 0.65        | 1905        | 666             | 773               | /             | /     |



## Product Drawing (mm)



# LWFE-160 Series

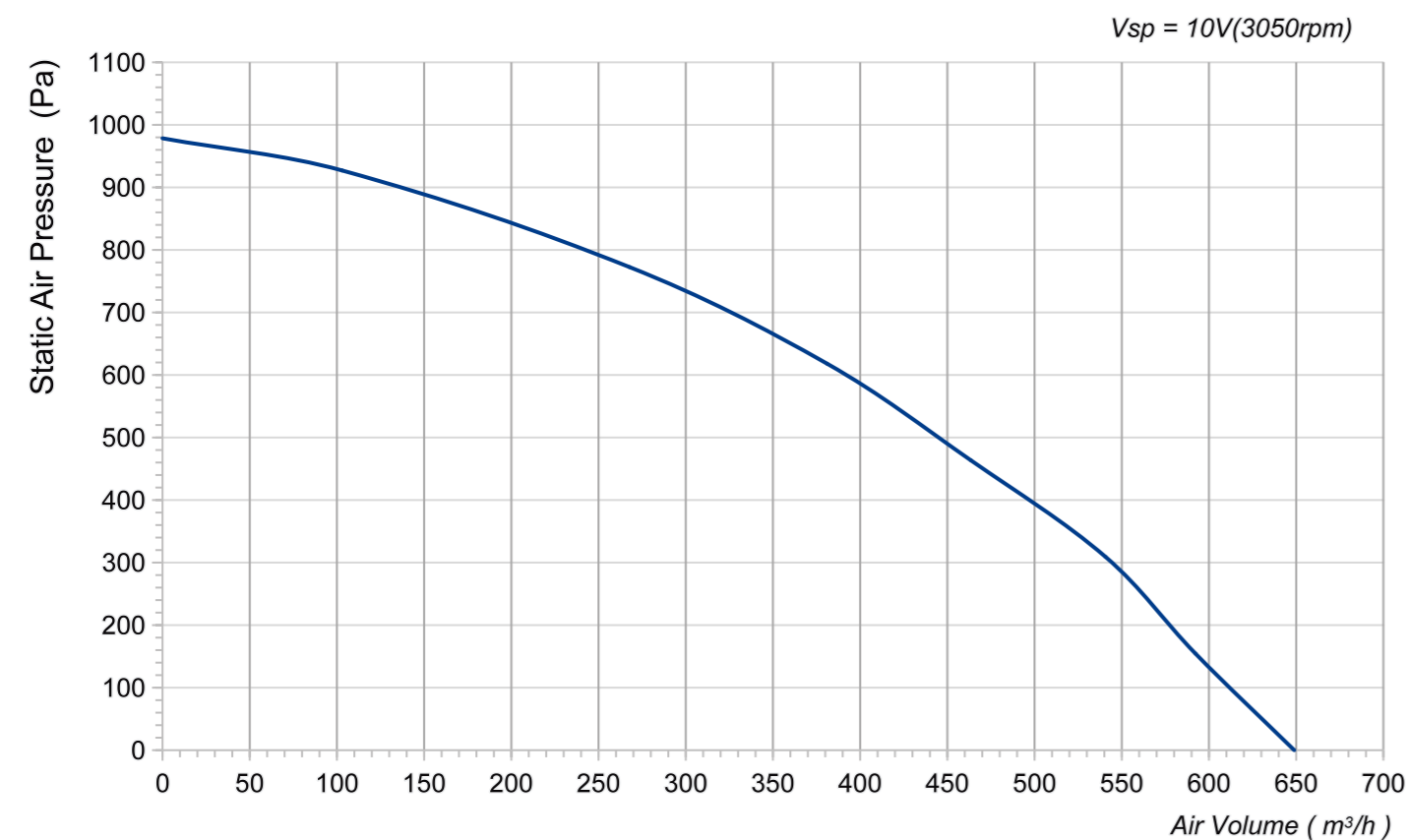
## Product Characteristic

- Material : Galvanised sheet steel
- Mode of operation: S1
- Type of operation: IP55
- Insulation class: B
- Bearing: Maintenance-free ball bearings
- Operation Temperature: -30~+60 C

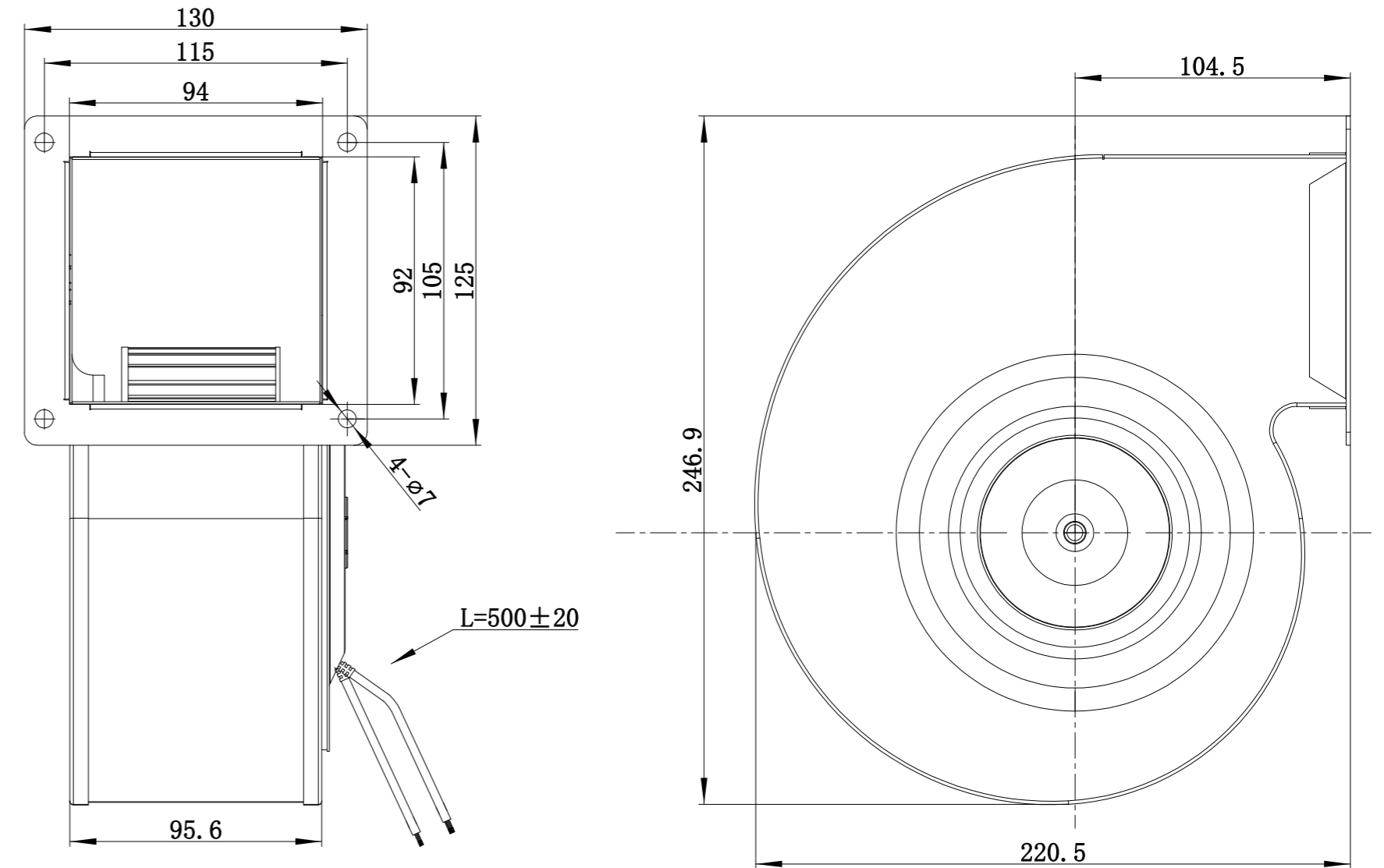


## Technical Specifications

| Model              | Voltage (V) | Frequency (Hz) | Power (W) | Current (A) | Speed (RPM) | Air Flow (m³/h) | Air Pressure (Pa) | Noise [dB(A)] | Curve |
|--------------------|-------------|----------------|-----------|-------------|-------------|-----------------|-------------------|---------------|-------|
| LWFE3G160-072SS-04 | 230         | 50/60          | 155       | 1.1         | 3050        | 649             | 989               | 68            | /     |



## Product Drawing (mm)



# LWFE-160 Series

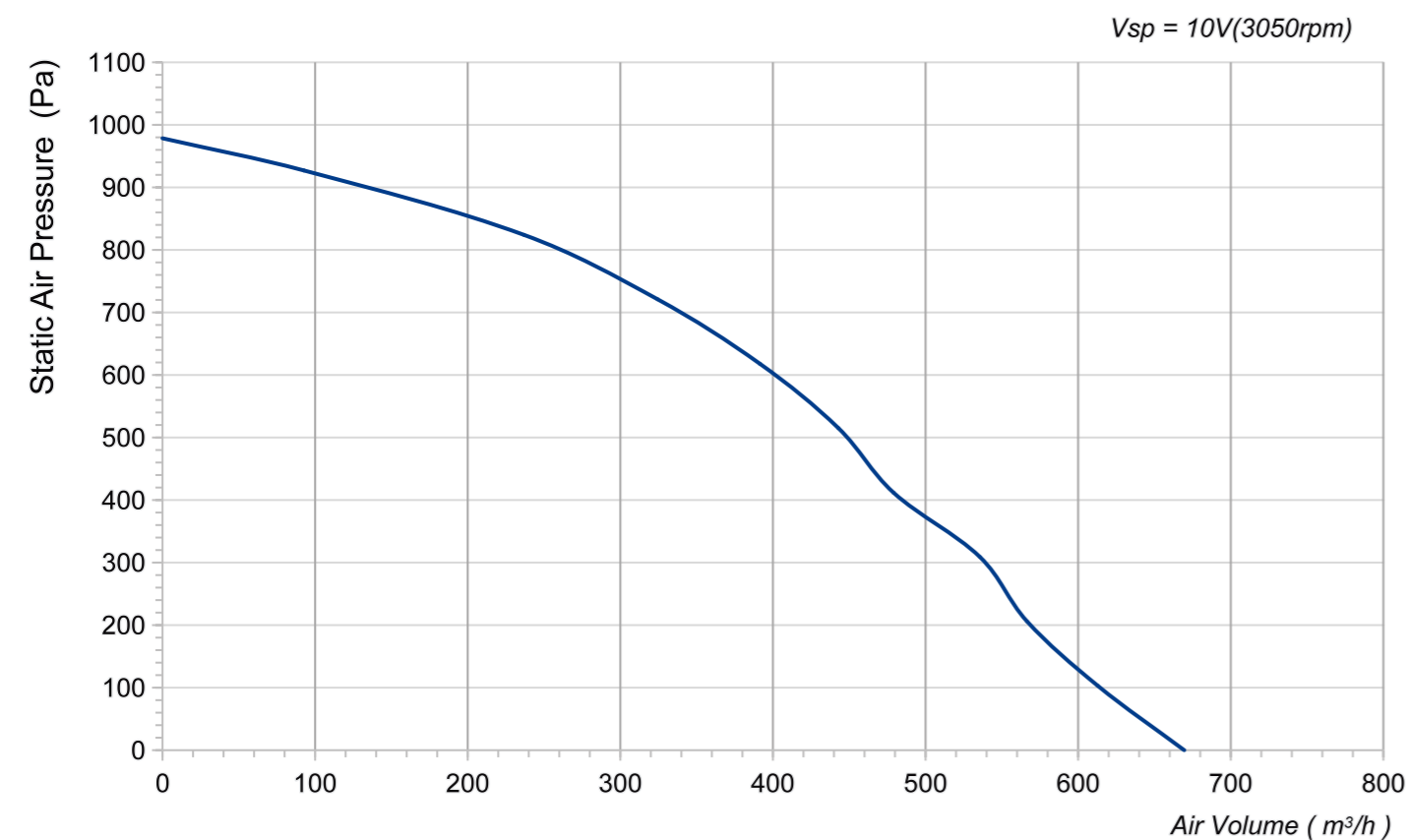
## Product Characteristic

- Material : PA6+GF
- Mode of operation: S1
- Type of operation: IP55
- Insulation class: B
- Bearing: Maintenance-free ball bearings
- Operation Temperature: -30~+60 C

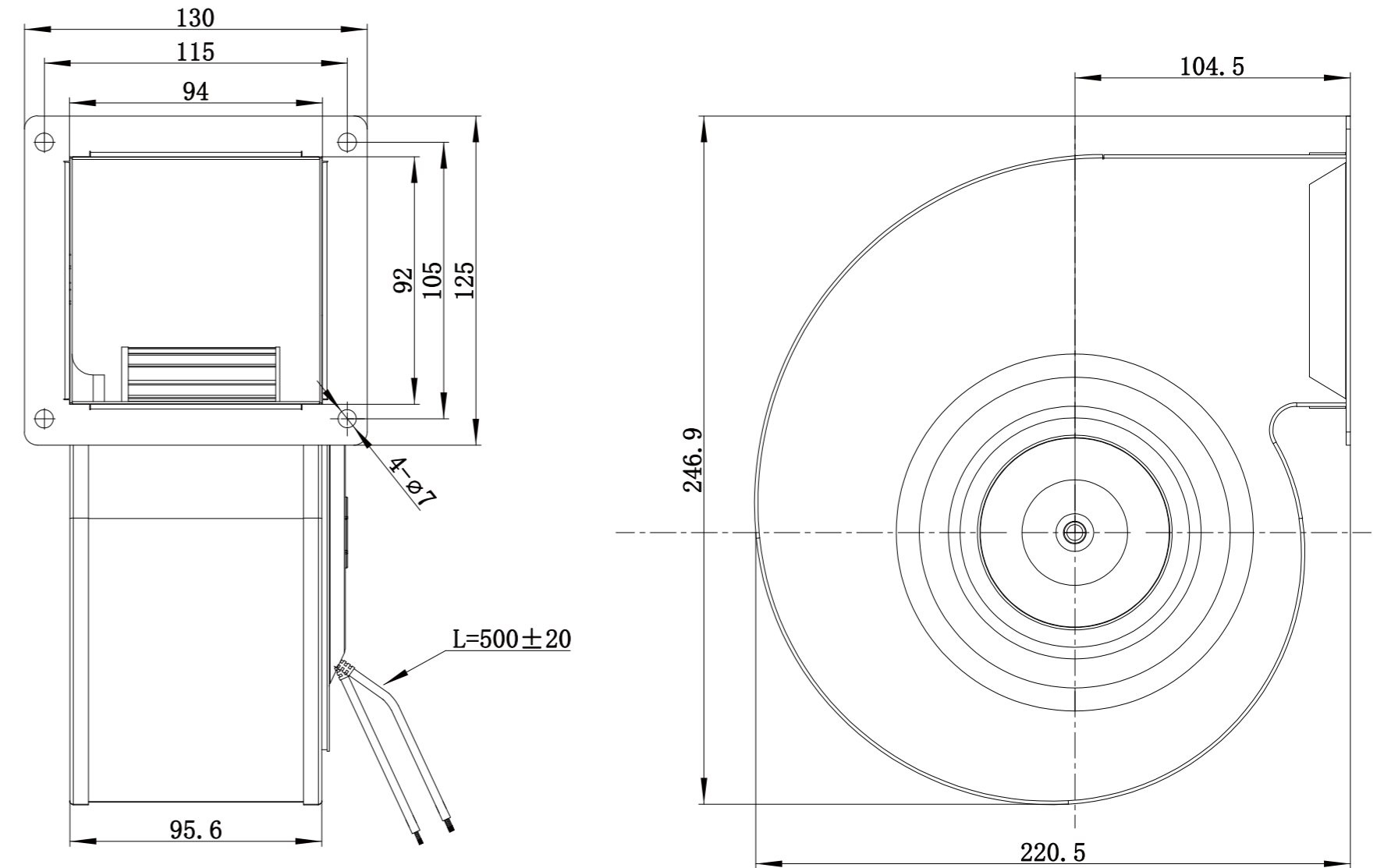


## Technical Specifications

| Model              | Voltage (V) | Frequency (Hz) | Power (W) | Current (A) | Speed (RPM) | Air Flow (m³/h) | Air Pressure (Pa) | Noise [dB(A)] | Curve |
|--------------------|-------------|----------------|-----------|-------------|-------------|-----------------|-------------------|---------------|-------|
| LWFE3G160-072SS-07 | 230         | 50/60          | 170       | 1.2         | 3050        | 670             | 979               | 67            | /     |



## Product Drawing (mm)



# LWFE-160 Series

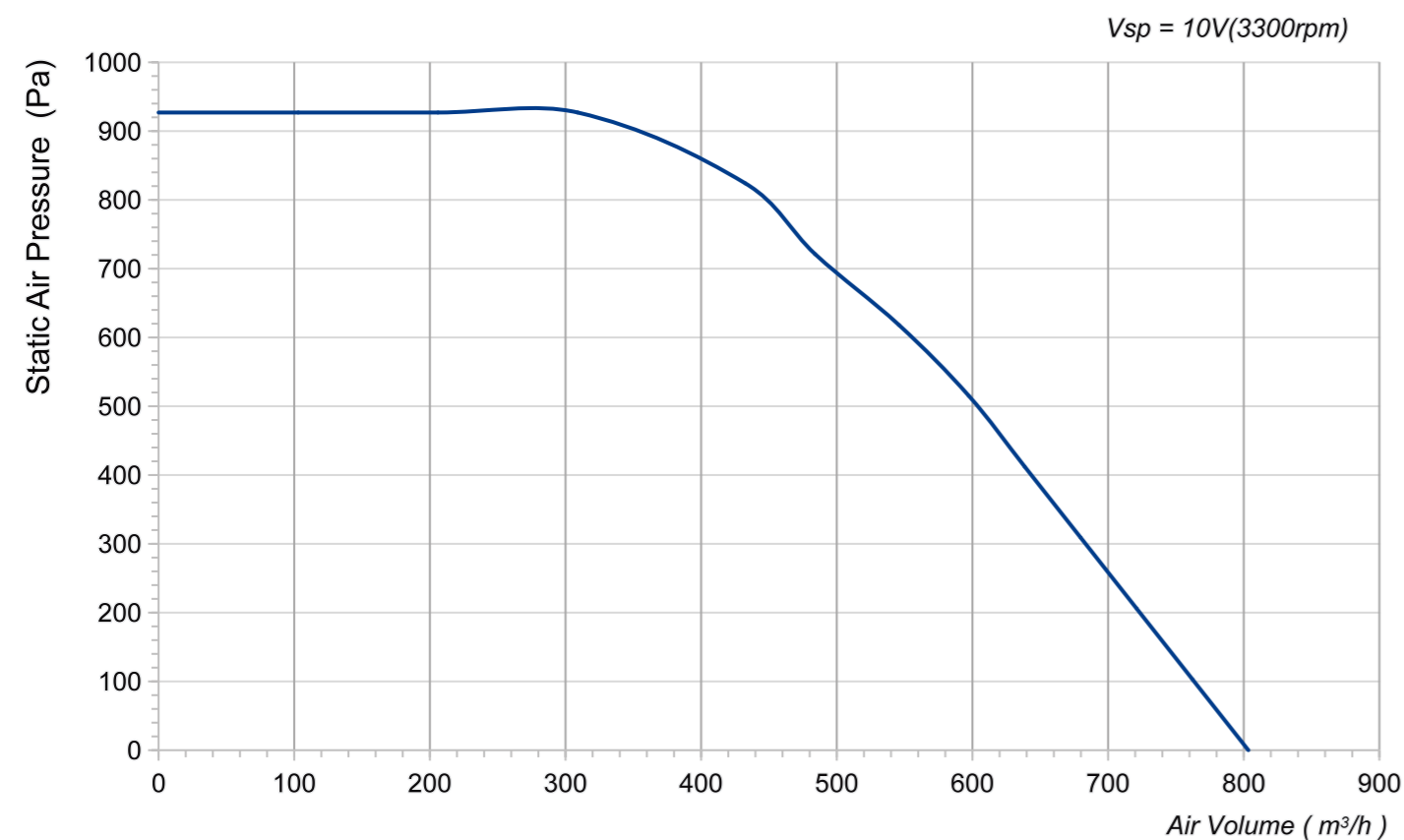
## Product Characteristic

- Material : Galvanised sheet steel
- Mode of operation: S1
- Type of operation: IP55
- Insulation class: B
- Bearing: Maintenance-free ball bearings
- Operation Temperature: -30~+60 C

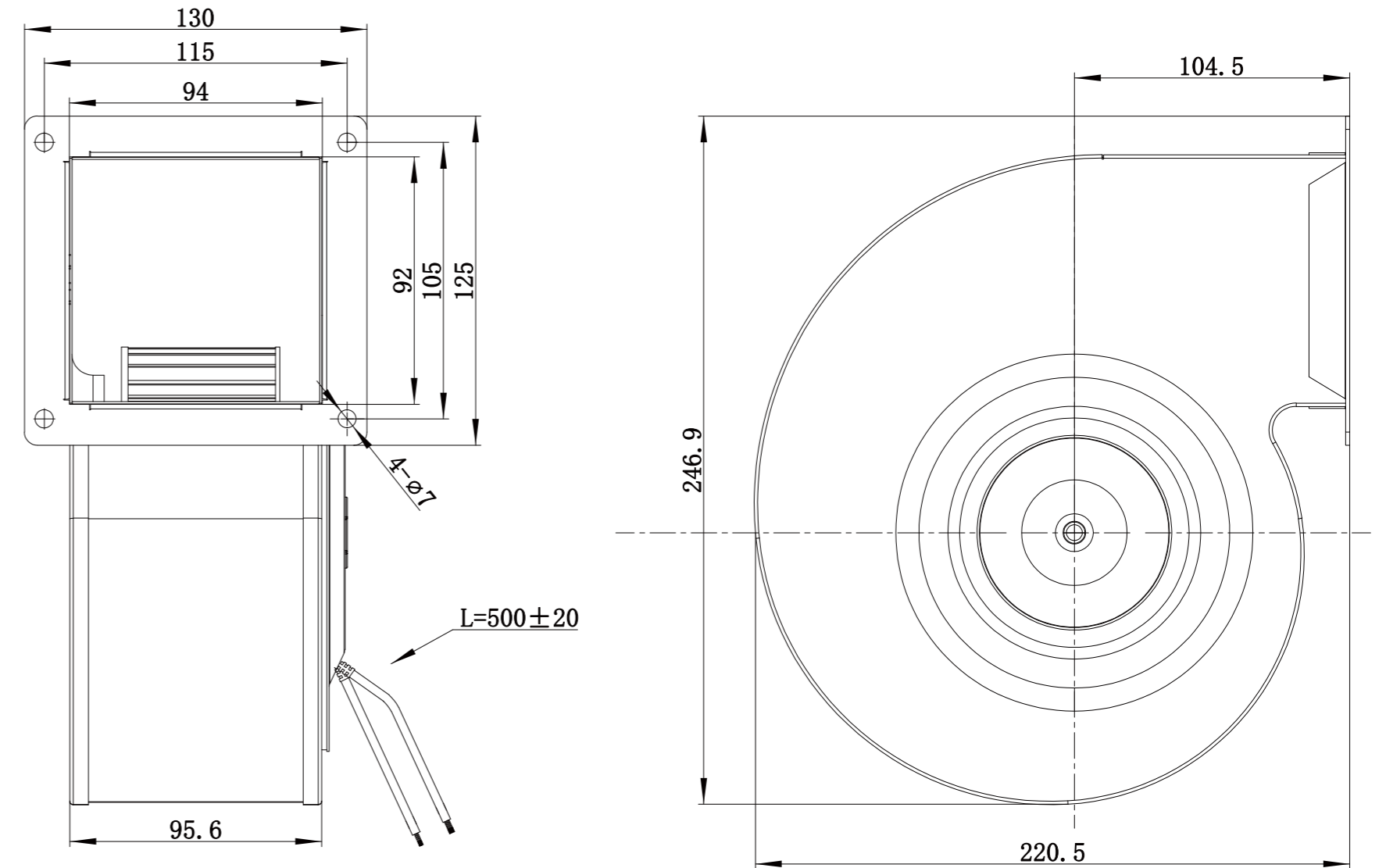


## Technical Specifications

| Model              | Voltage (V) | Frequency (Hz) | Power (W) | Current (A) | Speed (RPM) | Air Flow (m³/h) | Air Pressure (Pa) | Noise [dB(A)] | Curve |
|--------------------|-------------|----------------|-----------|-------------|-------------|-----------------|-------------------|---------------|-------|
| LWFE3G160-092SS-05 | 230         | 50/60          | 230       | 1.65        | 3300        | 803             | 927               | 75            | /     |



## Product Drawing (mm)



# LWFE-160 Series

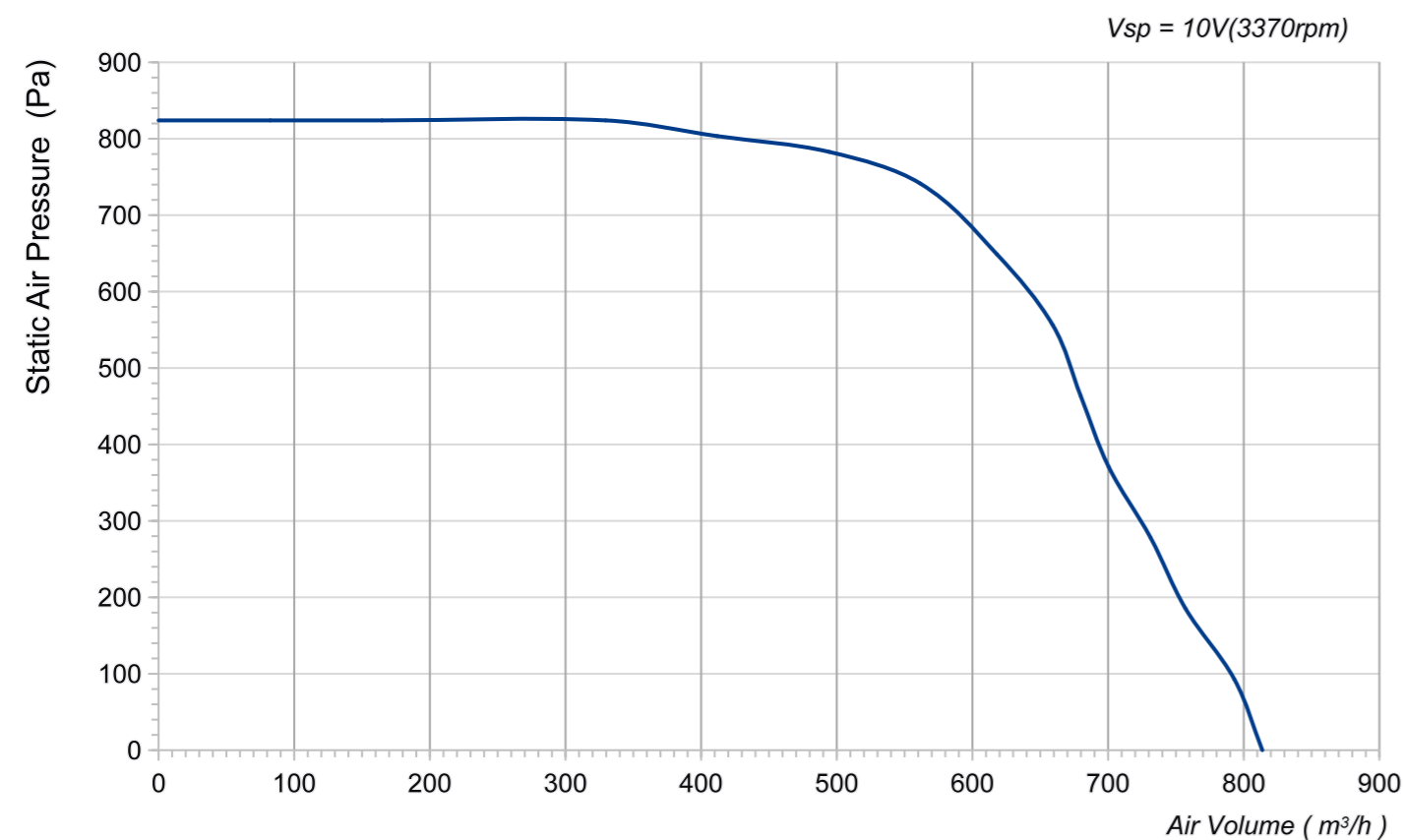
## Product Characteristic

- Material : PA6+GF
- Mode of operation: S1
- Type of operation: IP55
- Insulation class: B
- Bearing: Maintenance-free ball bearings
- Operation Temperature: -30~+60 C

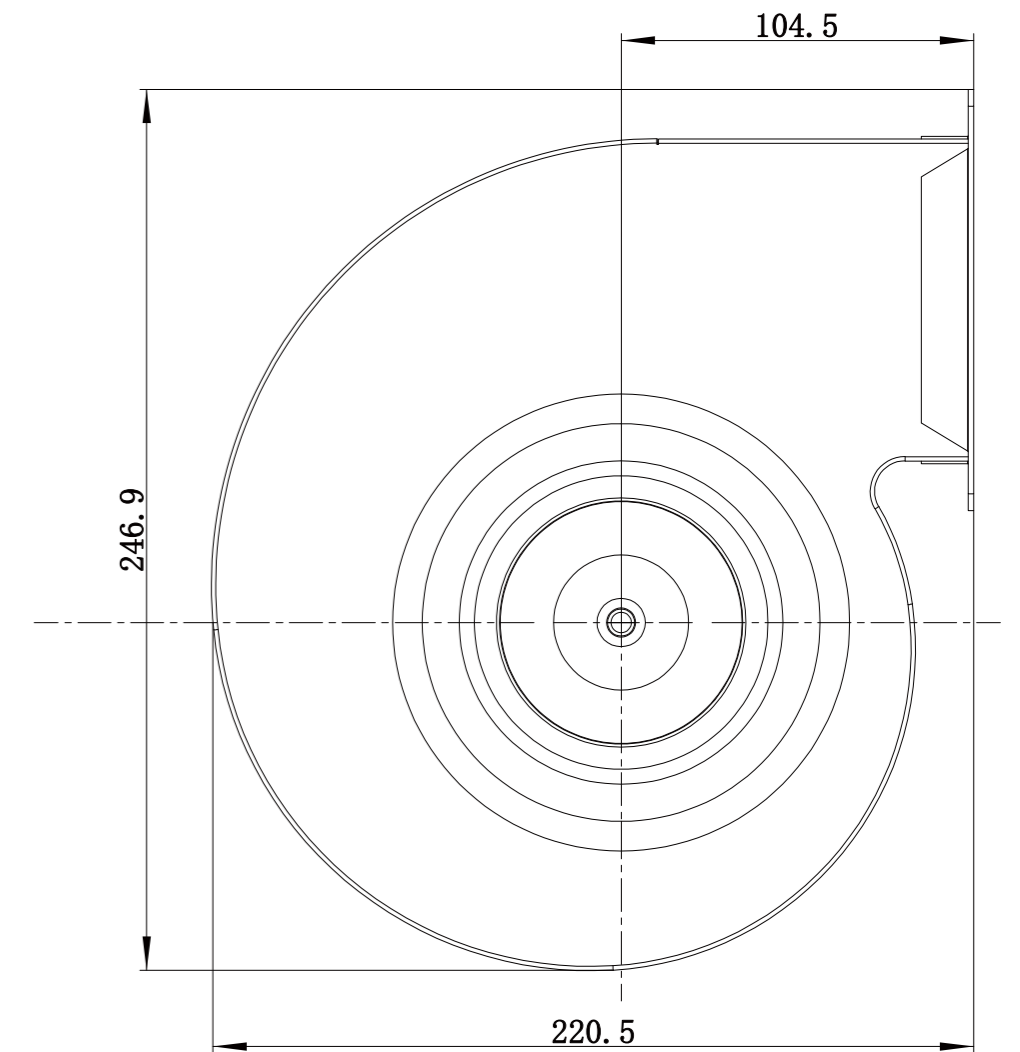
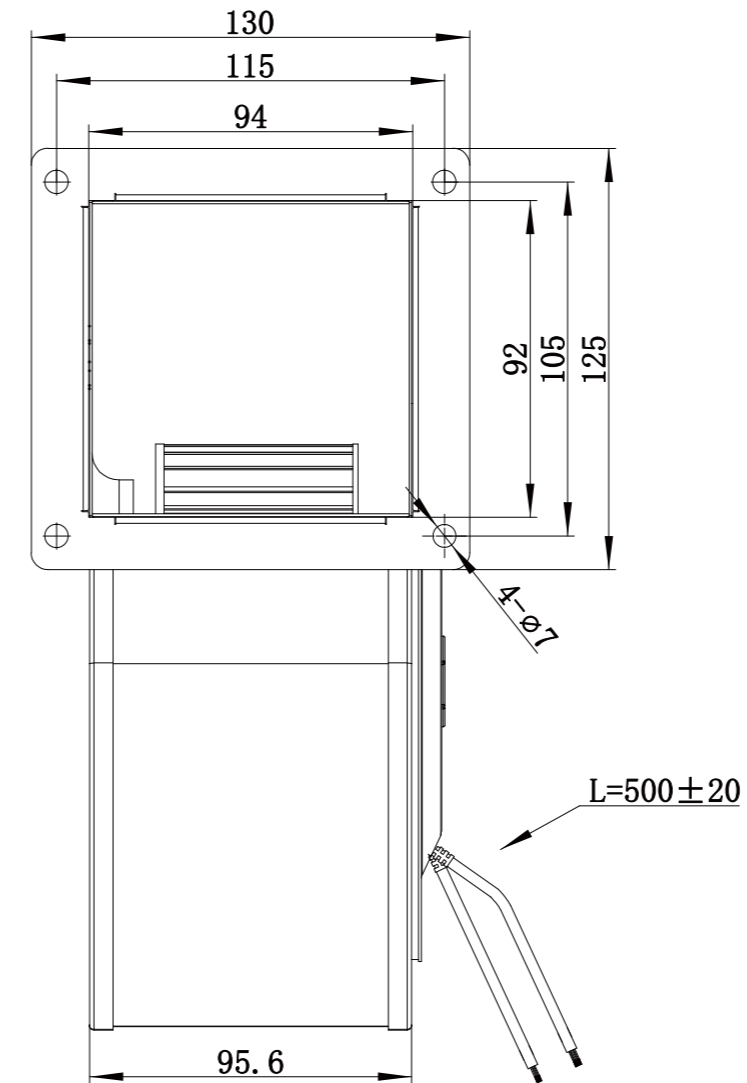


## Technical Specifications

| Model              | Voltage (V) | Frequency (Hz) | Power (W) | Current (A) | Speed (RPM) | Air Flow (m³/h) | Air Pressure (Pa) | Noise [dB(A)] | Curve |
|--------------------|-------------|----------------|-----------|-------------|-------------|-----------------|-------------------|---------------|-------|
| LWFE3G160-092SS-08 | 230         | 50/60          | 230       | 1.65        | 3370        | 814             | 824               | 73            | /     |



## Product Drawing (mm)



# LWFE-180 Series

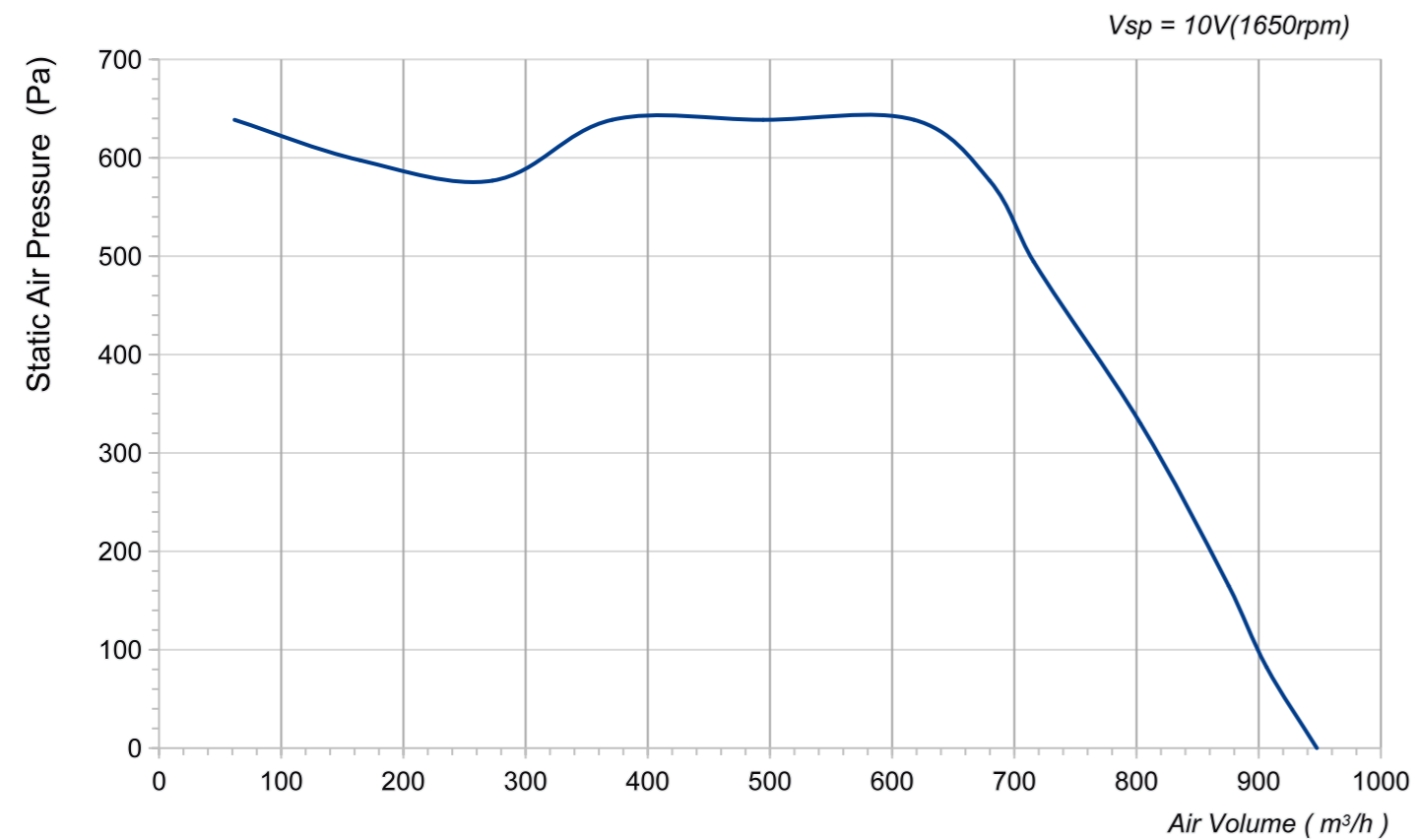
## Product Characteristic

- Material : Galvanised sheet steel
- Mode of operation: S1
- Type of operation: IP54
- Insulation class: F
- Bearing: Maintenance-free ball bearings
- Operation Temperature: -30~+60 C

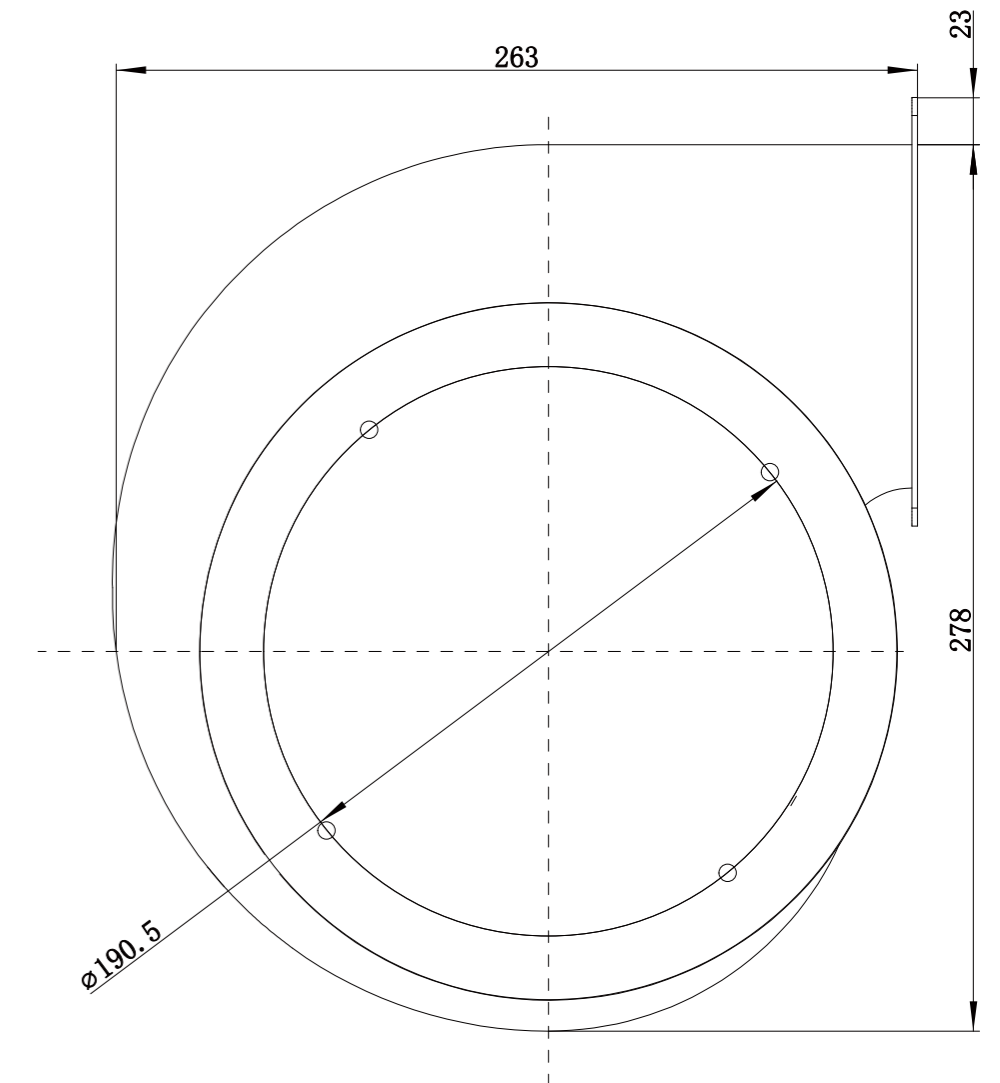
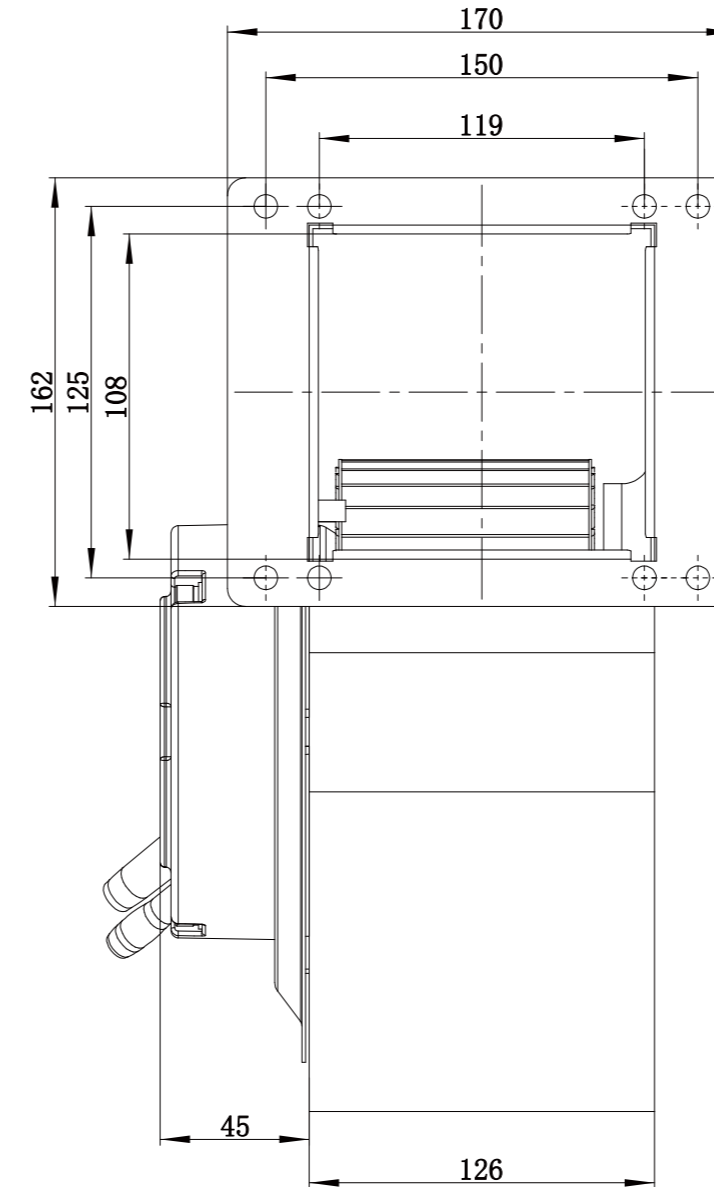


## Technical Specifications

| Model              | Voltage (V) | Frequency (Hz) | Power (W) | Current (A) | Speed (RPM) | Air Flow (m³/h) | Air Pressure (Pa) | Noise [dB(A)] | Curve |
|--------------------|-------------|----------------|-----------|-------------|-------------|-----------------|-------------------|---------------|-------|
| LWFE3G180-092SS-01 | 230         | 50/60          | 240       | 1.8         | 1650        | 948             | 639               | 68            | /     |



## Product Drawing (mm)



# LWFE-180 Series

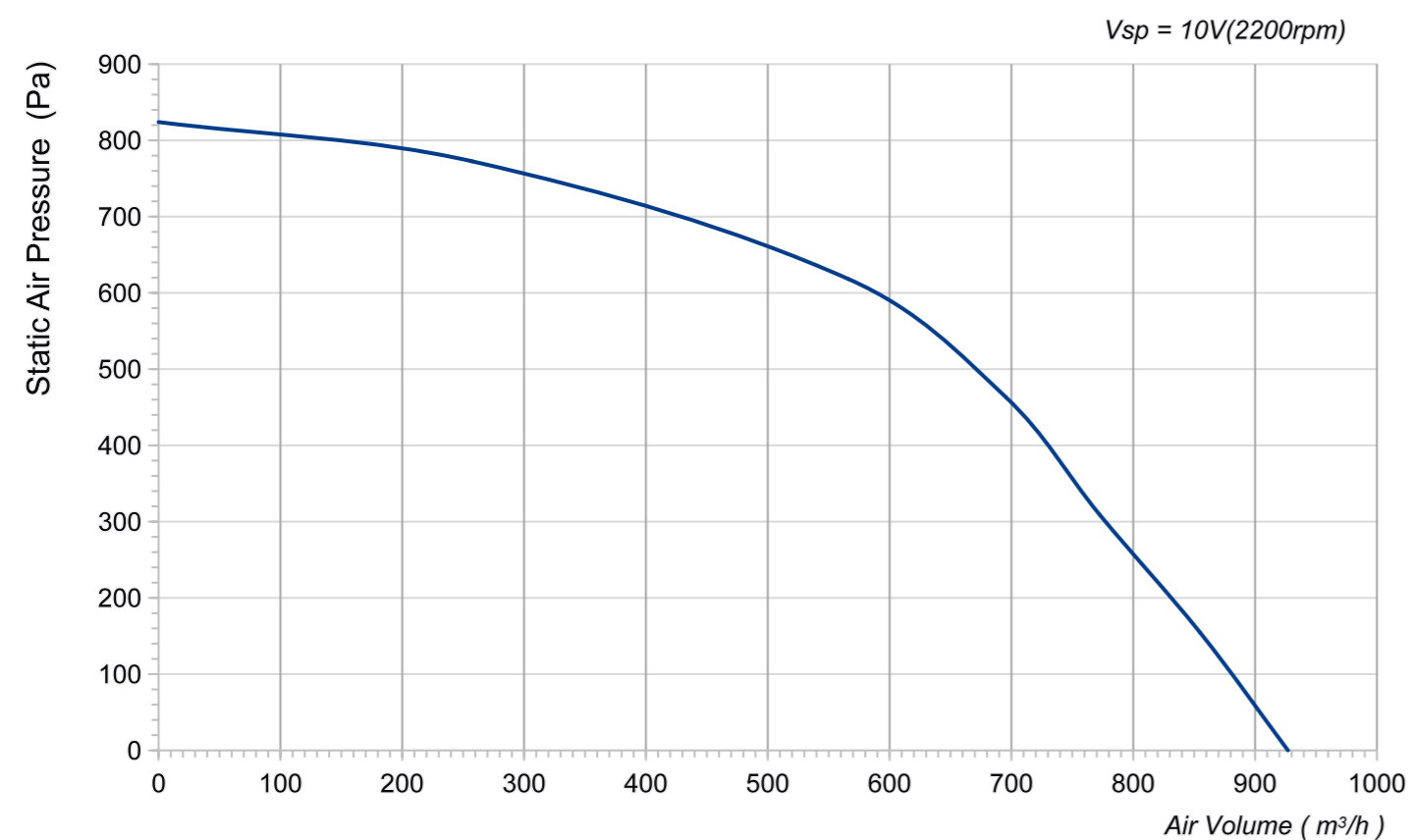
## Product Characteristic

- Material : Galvanised sheet steel
- Mode of operation: S1
- Type of operation: IP55
- Insulation class: B
- Bearing: Maintenance-free ball bearings
- Operation Temperature: -30~+60 C

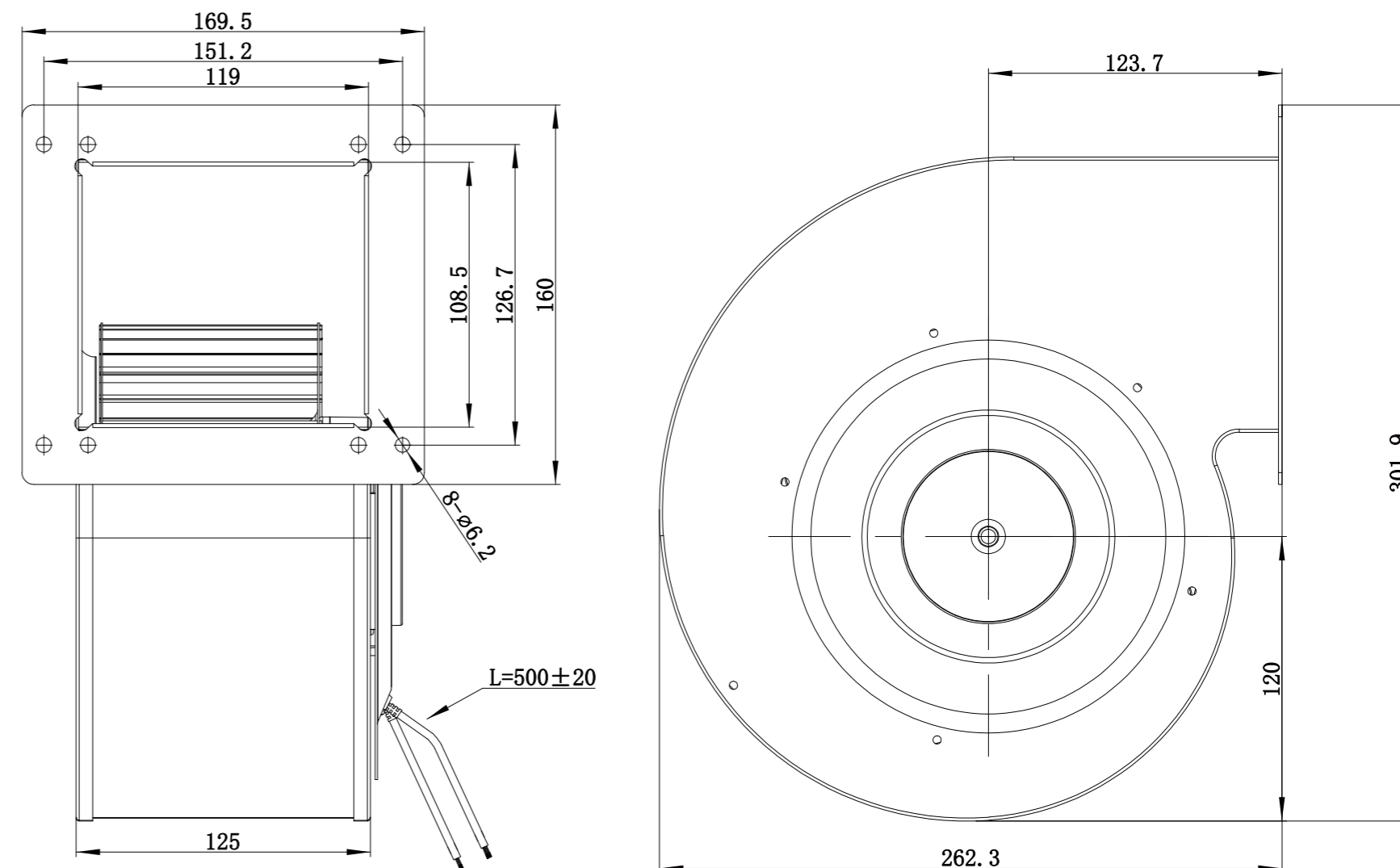


## Technical Specifications

| Model              | Voltage (V) | Frequency (Hz) | Power (W) | Current (A) | Speed (RPM) | Air Flow (m³/h) | Air Pressure (Pa) | Noise [dB(A)] | Curve |
|--------------------|-------------|----------------|-----------|-------------|-------------|-----------------|-------------------|---------------|-------|
| LWFE3G180-092SS-02 | 230         | 50/60          | 220       | 1.6         | 2200        | 927             | 824               | 68            | /     |



## Product Drawing (mm)



# LWFE-200 Series

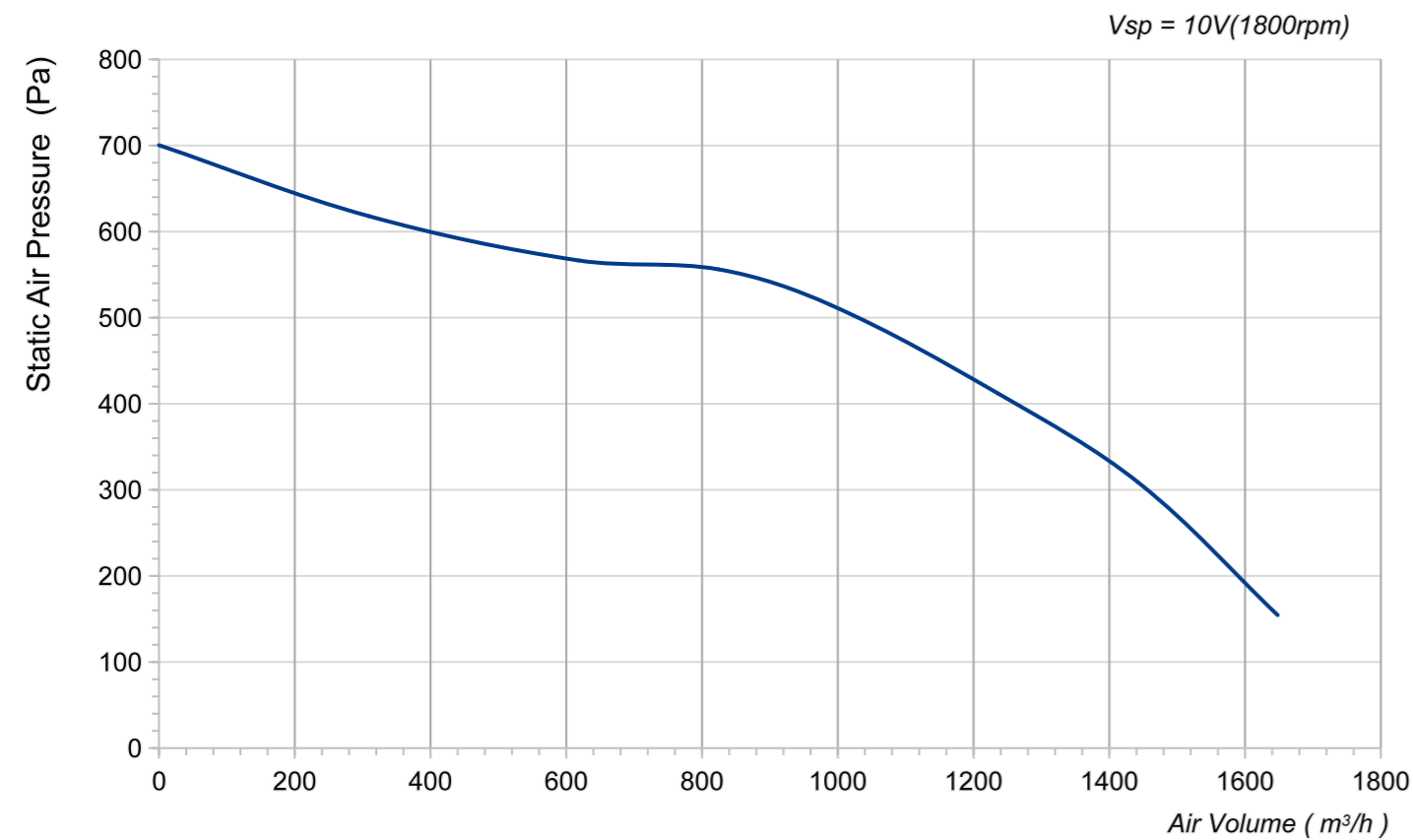
## Product Characteristic

- Material : Galvanised sheet steel
- Mode of operation: S1
- Type of operation: IP54
- Insulation class: F
- Bearing: Maintenance-free ball bearings
- Operation Temperature: -30~+60 C

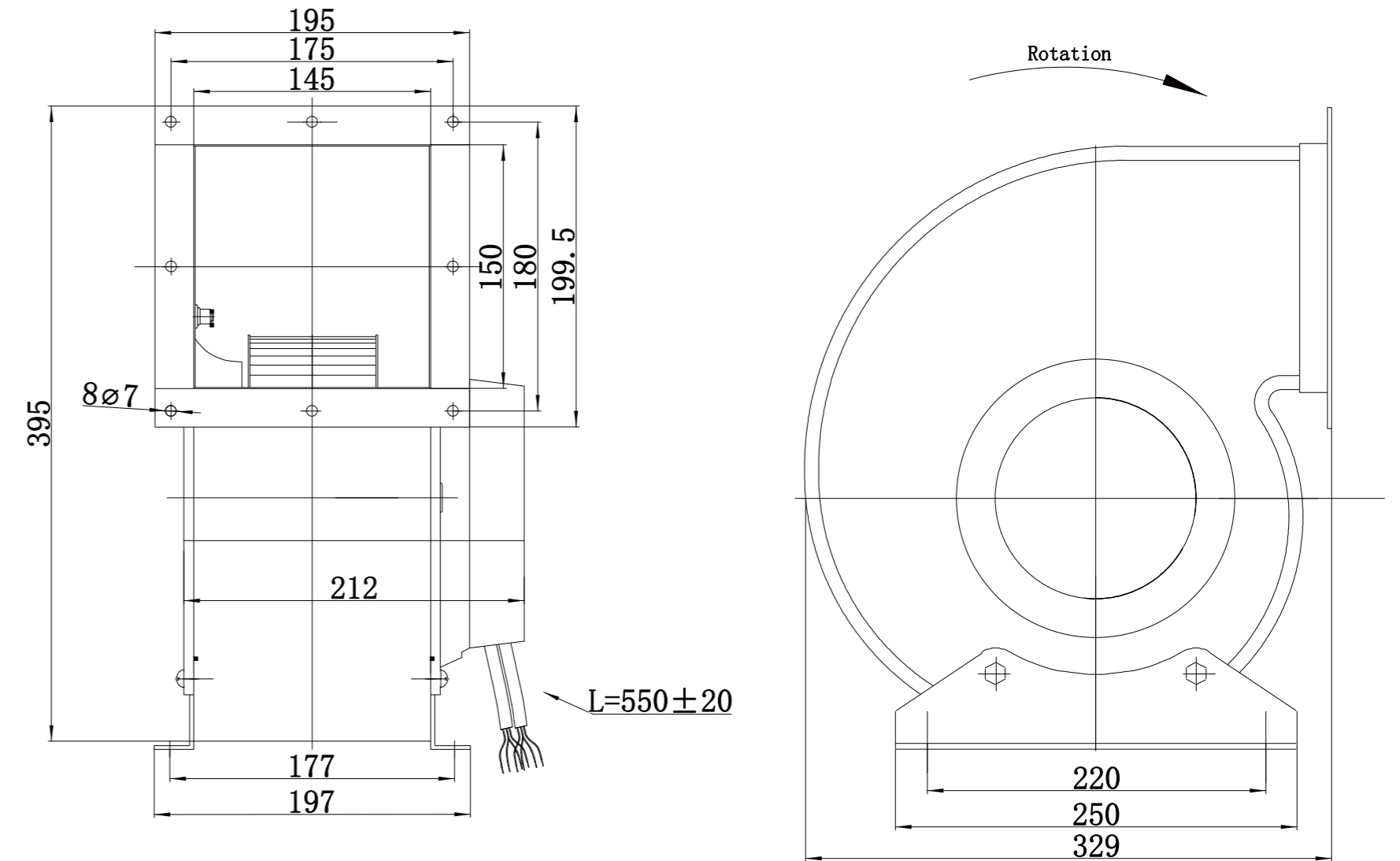


## Technical Specifications

| Model              | Voltage (V) | Frequency (Hz) | Power (W) | Current (A) | Speed (RPM) | Air Flow (m³/h) | Air Pressure (Pa) | Noise [dB(A)] | Curve |
|--------------------|-------------|----------------|-----------|-------------|-------------|-----------------|-------------------|---------------|-------|
| LWFE3G200-102SS-01 | 230         | 50/60          | 510       | 3.1         | 1800        | 1638            | 700               | 73            | /     |



## Product Drawing (mm)



# LWFE-225 Series

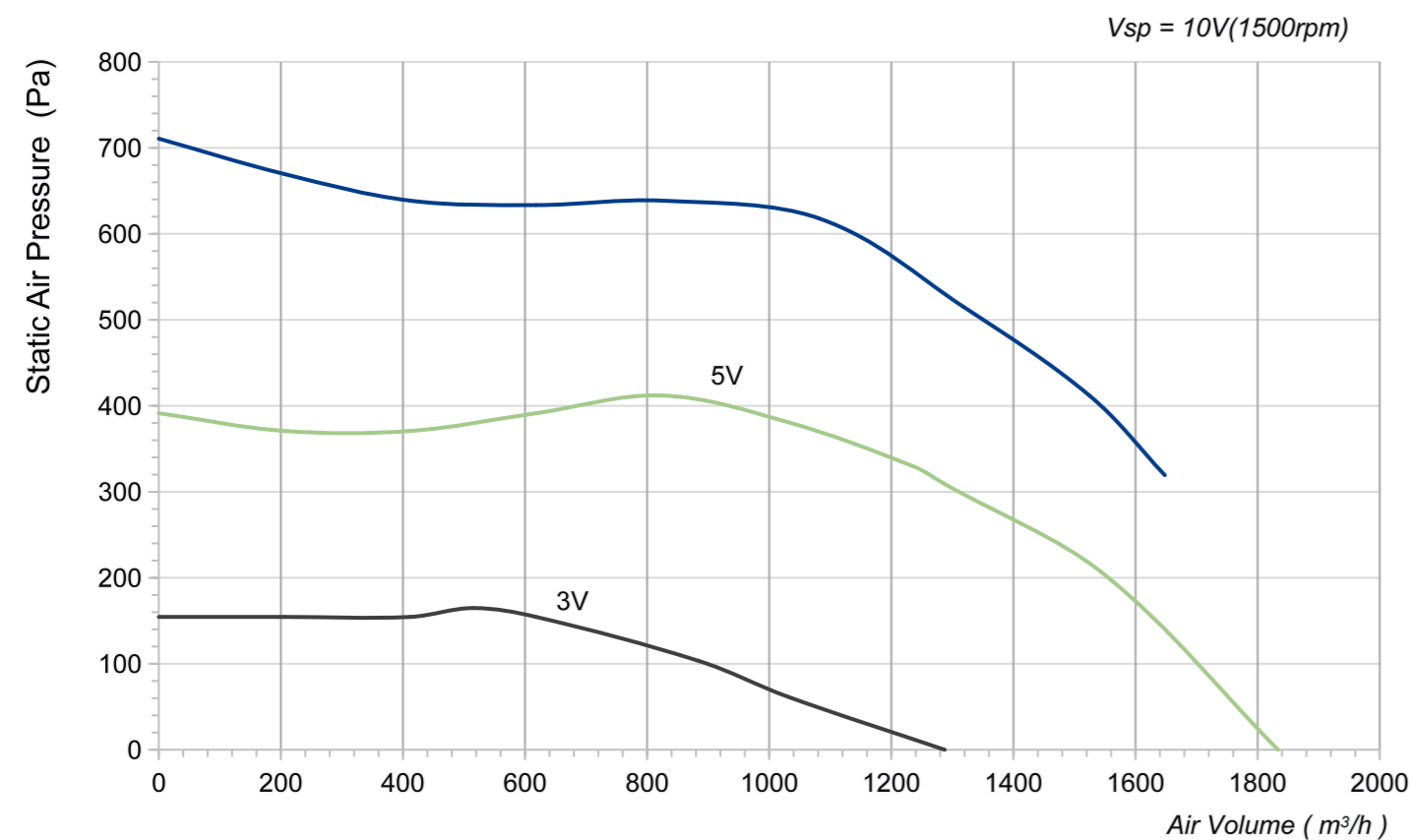
## Product Characteristic

- Material : Galvanised sheet steel
- Mode of operation: S1
- Type of operation: IP54
- Insulation class: F
- Bearing: Maintenance-free ball bearings
- Operation Temperature: -30~+60 C

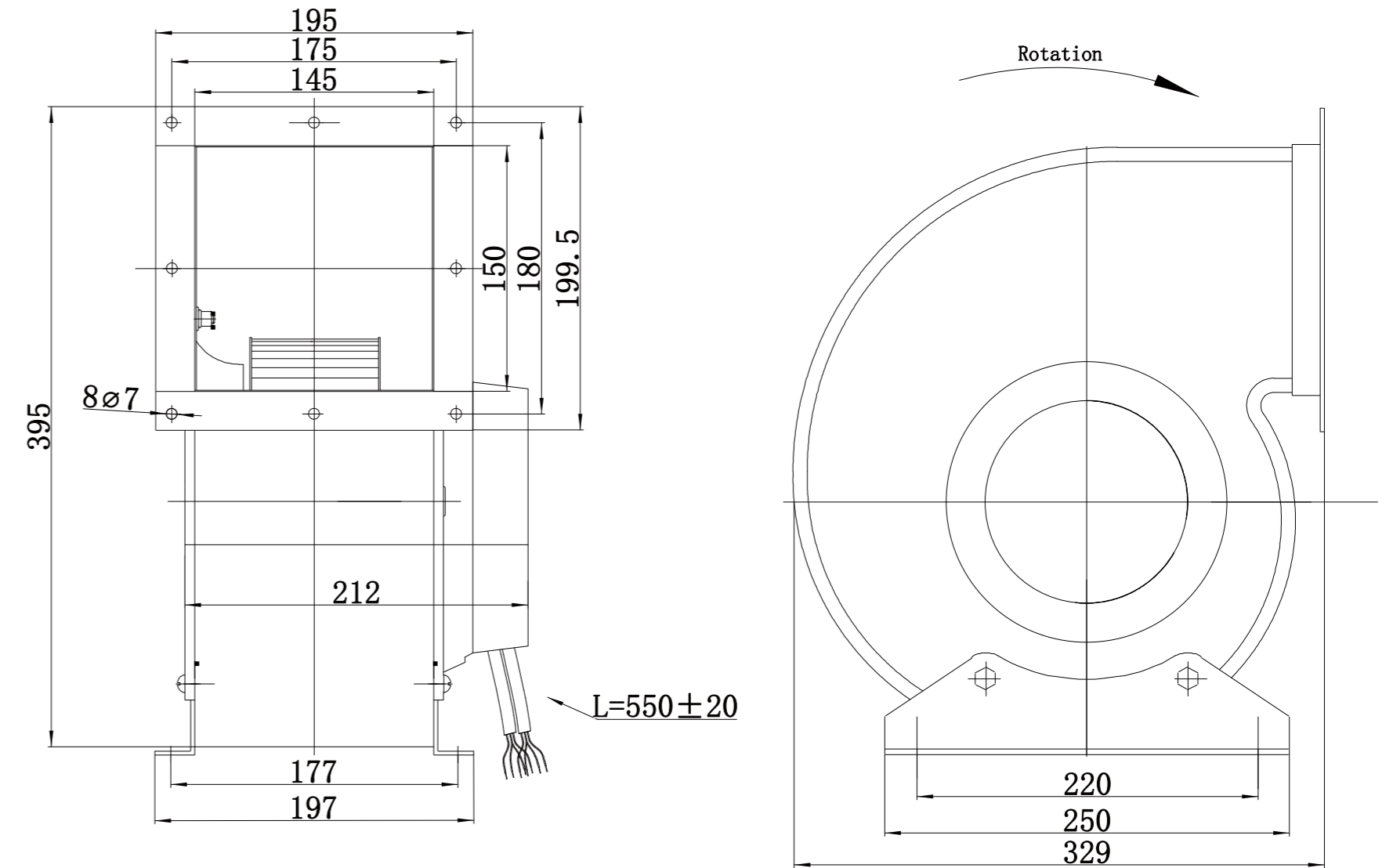


## Technical Specifications

| Model              | Voltage (V) | Frequency (Hz) | Power (W) | Current (A) | Speed (RPM) | Air Flow (m³/h) | Air Pressure (Pa) | Noise [dB(A)] | Curve |
|--------------------|-------------|----------------|-----------|-------------|-------------|-----------------|-------------------|---------------|-------|
| LWFE3G225-102SS-01 | 230         | 50/60          | 505       | 3.1         | 1500        | 1648            | 711               | 77            | /     |



## Product Drawing (mm)



# LWFE-250 Series

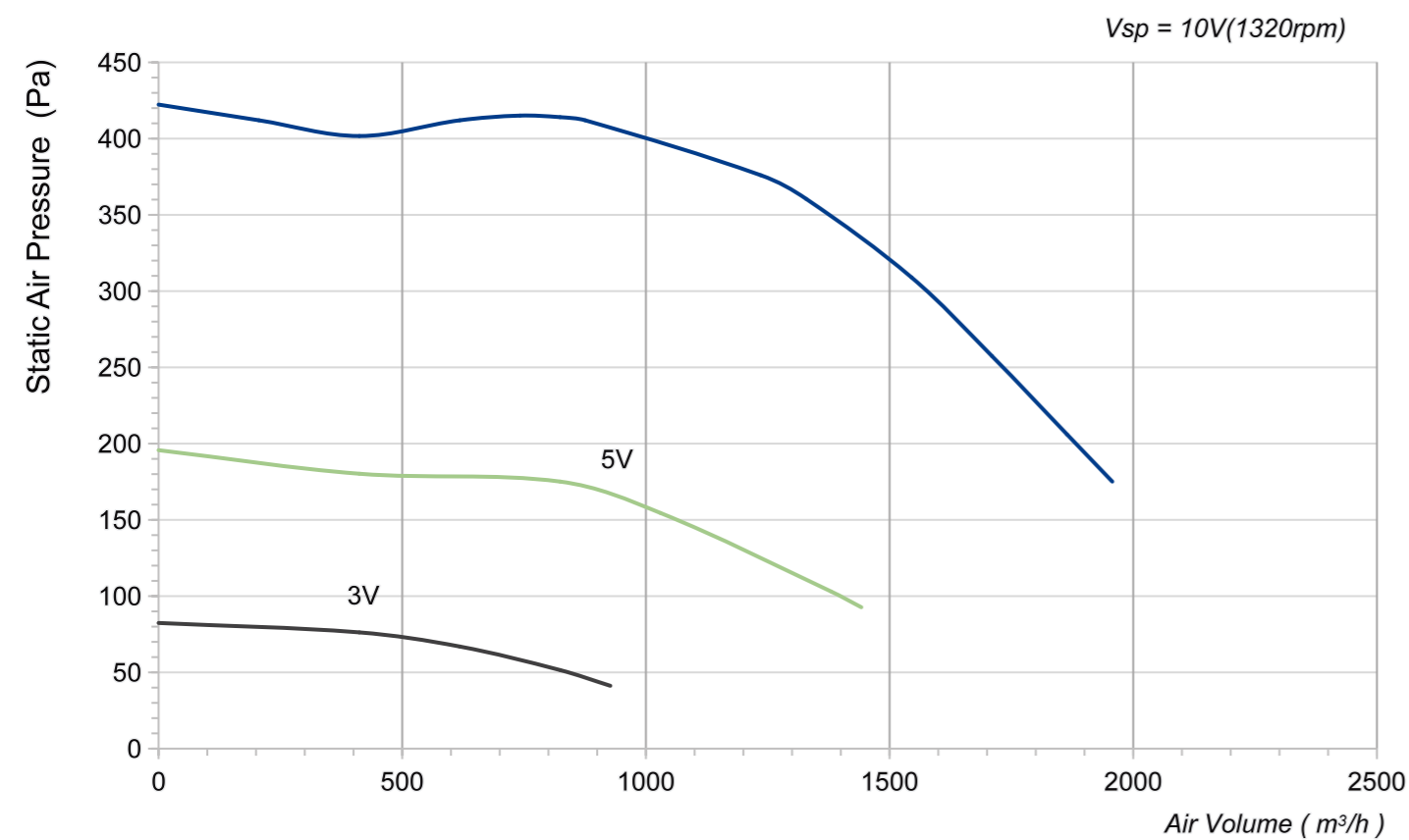
## Product Characteristic

- Material : Galvanised sheet steel
- Mode of operation: S1
- Type of operation: IP54
- Insulation class: F
- Bearing: Maintenance-free ball bearings
- Operation Temperature: -30~+60 C

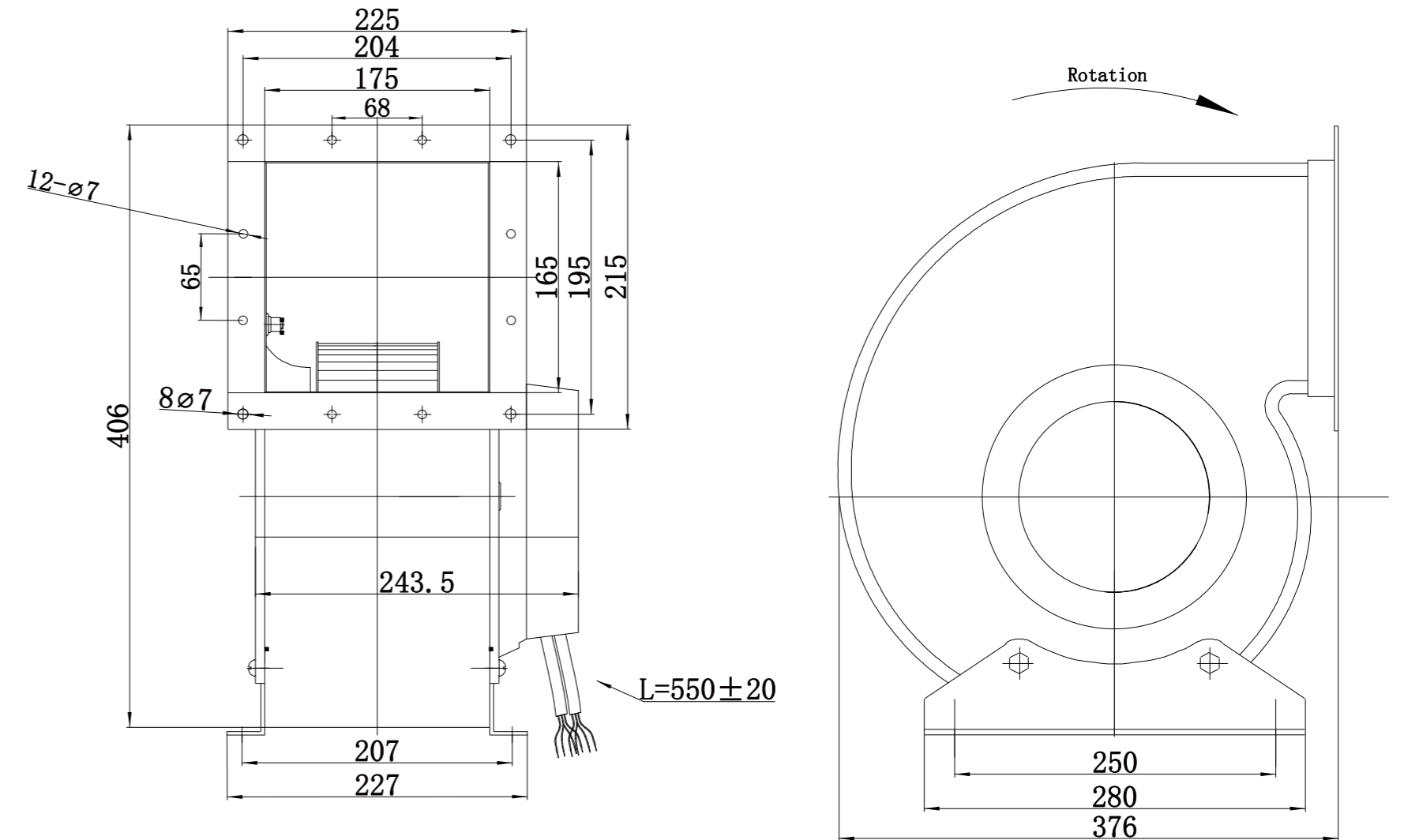


## Technical Specifications

| Model              | Voltage (V) | Frequency (Hz) | Power (W) | Current (A) | Speed (RPM) | Air Flow (m³/h) | Air Pressure (Pa) | Noise [dB(A)] | Curve |
|--------------------|-------------|----------------|-----------|-------------|-------------|-----------------|-------------------|---------------|-------|
| LWFE3G250-102SS-01 | 230         | 50/60          | 500       | 2.9         | 1320        | 1957            | 422               | 78            | /     |



## Product Drawing (mm)



# ***DC Single Inlet Forward Centrifugal Blower***

- Permanent magnet materials
- Chip stereoscopic heat dissipation
- Advanced 3D design impeller
- Oblique magnetization technology
- External rotor motor design
- IP54Water-proof design



# LWFD-120 Series

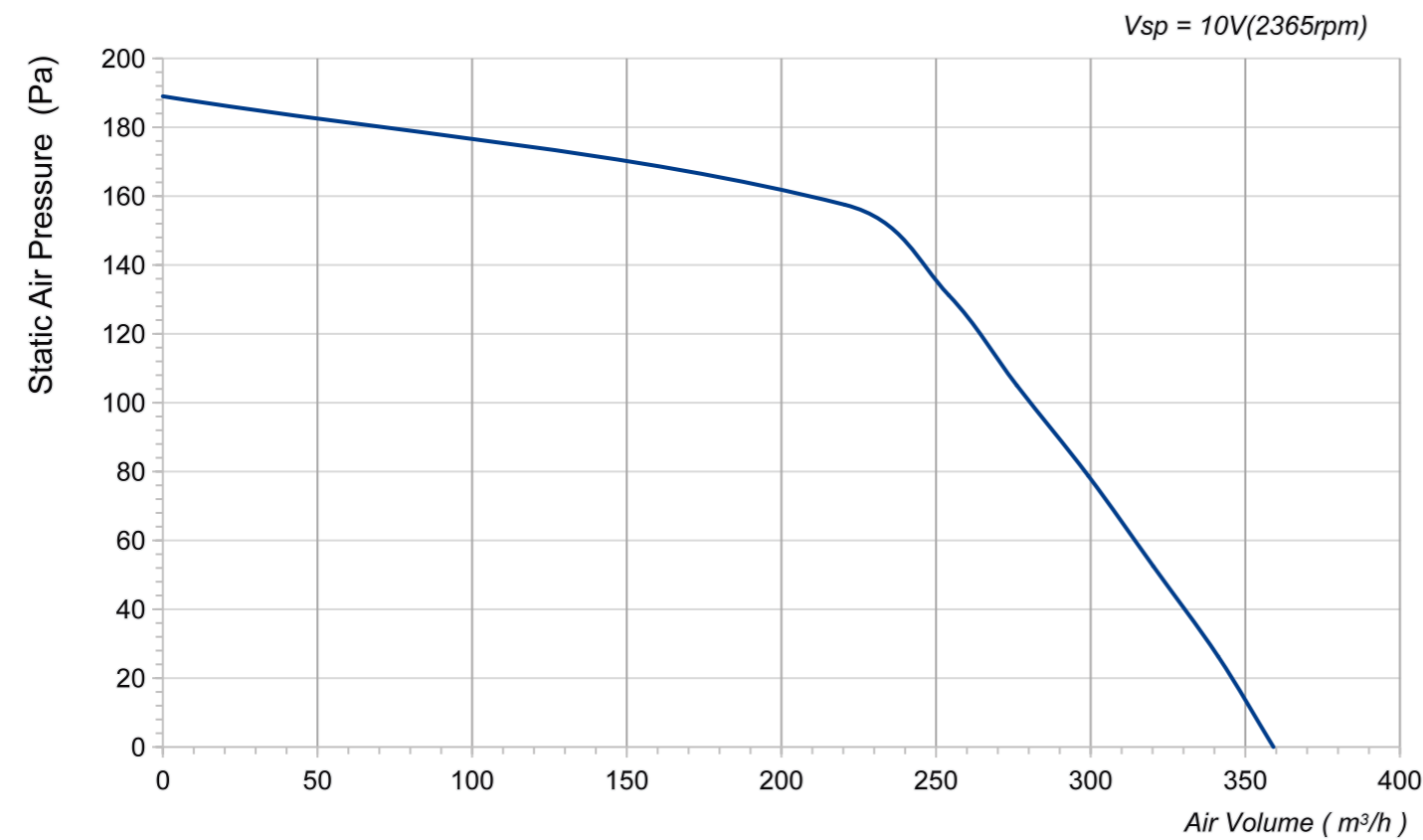
## Product Characteristic

- Material : Galvanised sheet steel
- Mode of operation: S1
- Type of operation: IP54
- Insulation class: F
- Bearing: Maintenance-free ball bearings
- Operation Temperature: -30~+60 C

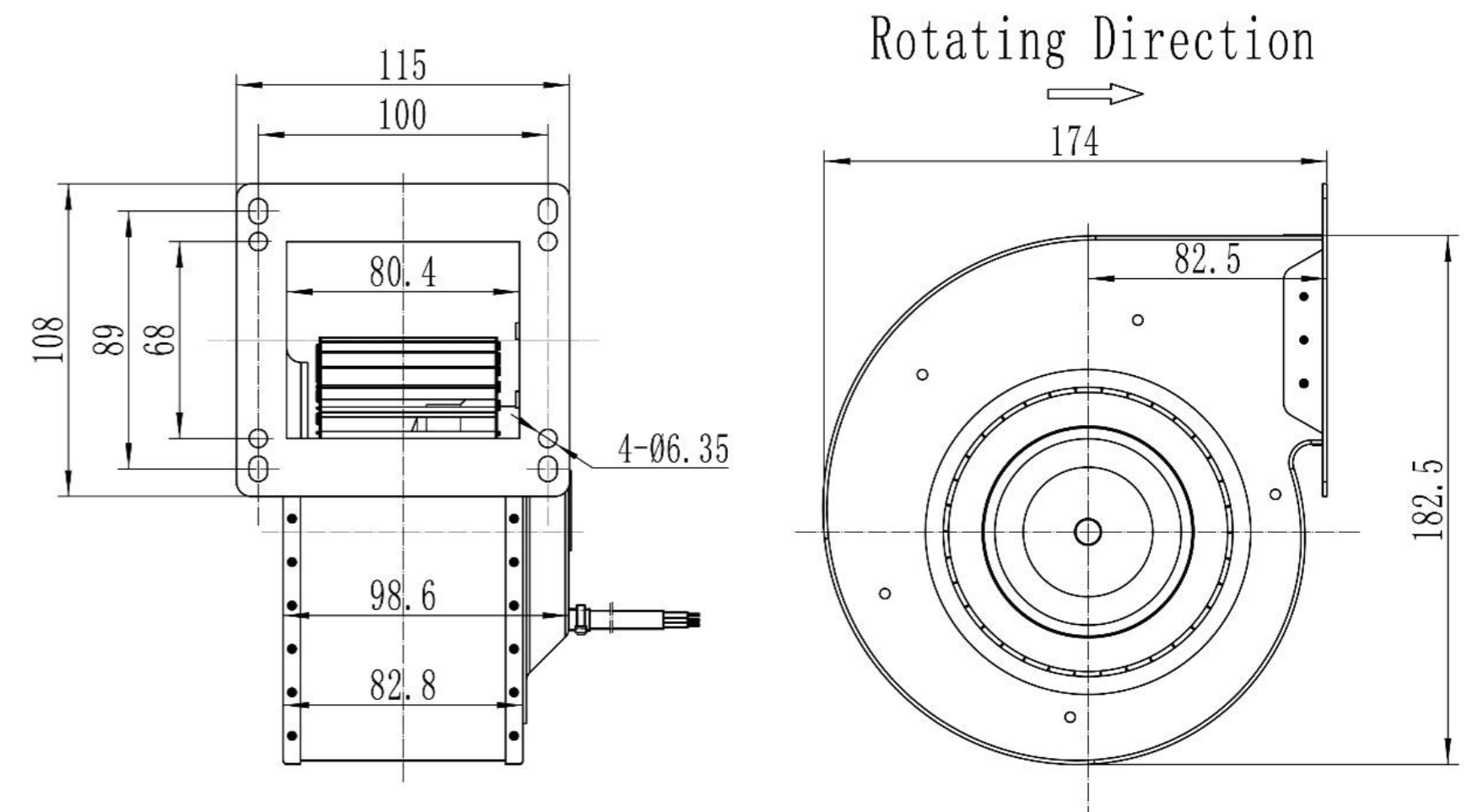


## Technical Specifications

| Model              | Voltage (V) | Power (W) | Current (A) | Speed (RPM) | Air Flow (m³/h) | Air Pressure (Pa) | Noise [dB(A)] | Curve |
|--------------------|-------------|-----------|-------------|-------------|-----------------|-------------------|---------------|-------|
| LWFD3G120-072SH-01 | 48          | 67        | 1.4         | 2365        | 359             | 189               | /             | /     |



## Product Drawing (mm)



# LWFD-120 Series

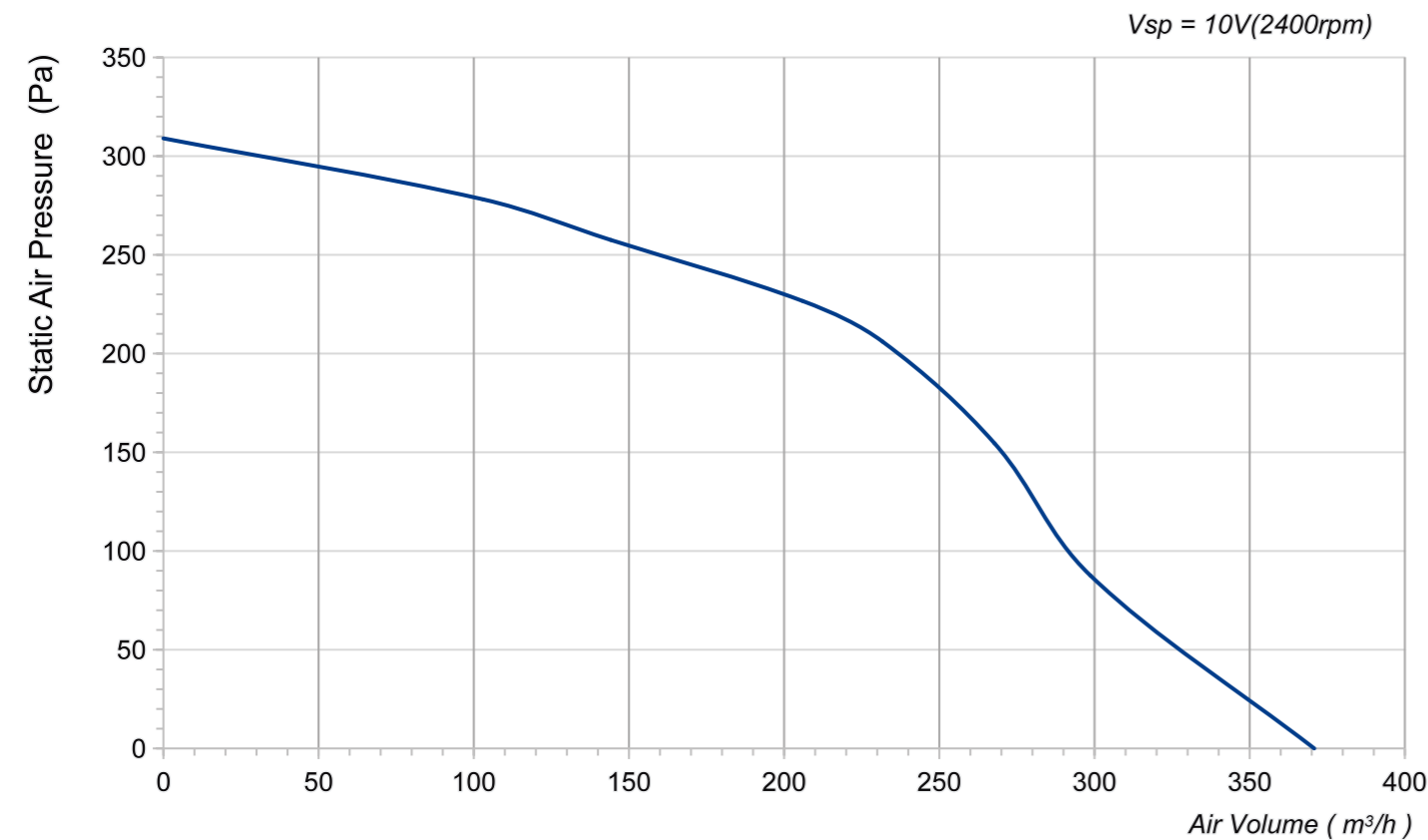
## Product Characteristic

- Material : Plastics PA66
- Mode of operation: S1
- Type of operation: IP54
- Insulation class: B
- Bearing: Maintenance-free ball bearings
- Operation Temperature: -30~+60 C

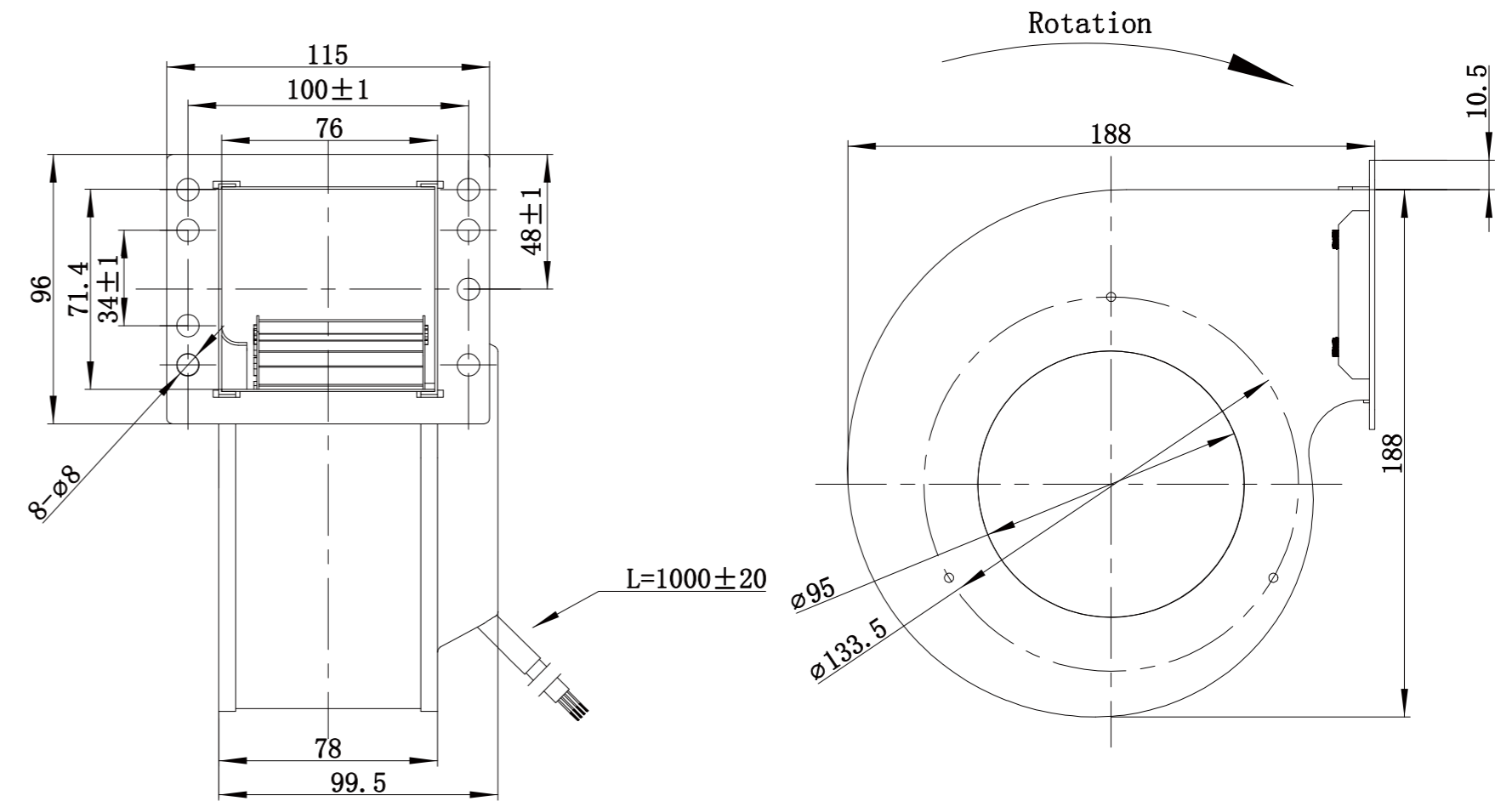


## Technical Specifications

| Model              | Voltage (V) | Power (W) | Current (A) | Speed (RPM) | Air Flow (m³/h) | Air Pressure (Pa) | Noise [dB(A)] | Curve |
|--------------------|-------------|-----------|-------------|-------------|-----------------|-------------------|---------------|-------|
| LWFD3G120-072SM-01 | 24          | 95        | 3.96        | 2400        | 371             | 309               | 60            | /     |
| LWFD3G120-072SH-02 | 48          | 95        | 1.98        | 2400        | 371             | 309               | 60            | /     |



## Product Drawing (mm)



# LWFD-120 Series

## Product Characteristic

- Material : Plastics PA66
- Mode of operation: S1
- Type of operation: IP54
- Insulation class: B
- Bearing: Maintenance-free ball bearings
- Operation Temperature: -30~+60 C

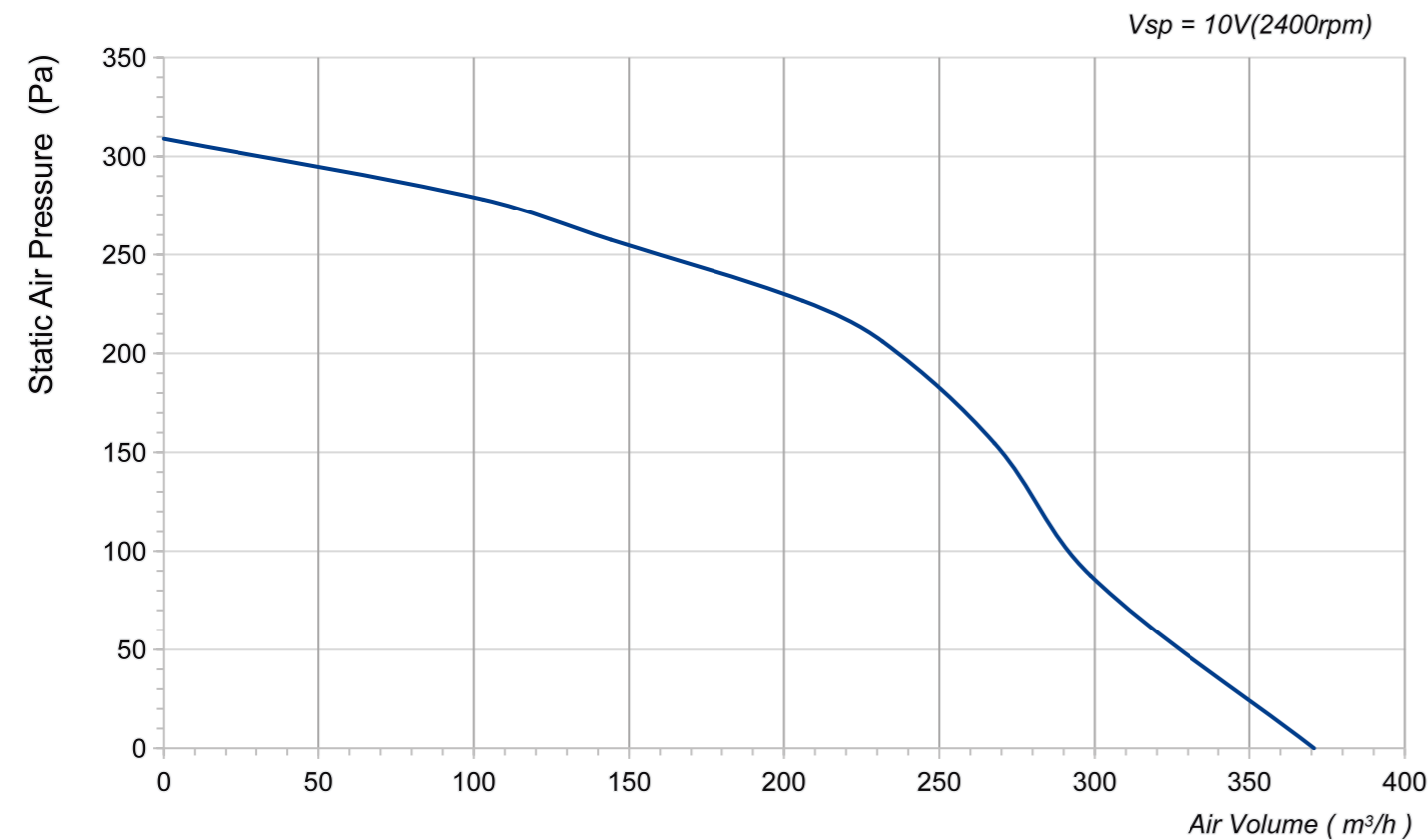
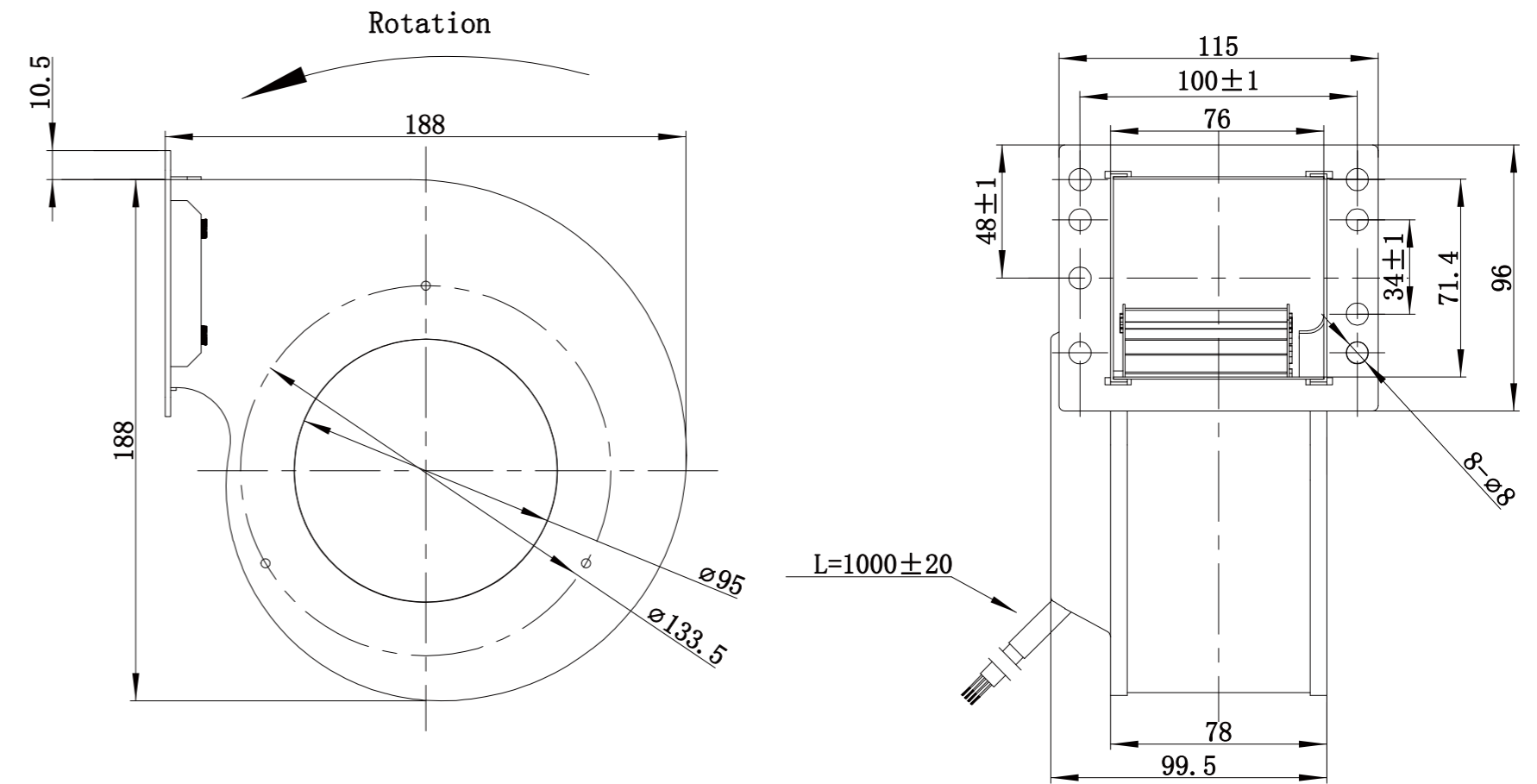


## Technical Specifications

| Model              | Voltage (V) | Power (W) | Current (A) | Speed (RPM) | Air Flow (m³/h) | Air Pressure (Pa) | Noise [dB(A)] | Curve |
|--------------------|-------------|-----------|-------------|-------------|-----------------|-------------------|---------------|-------|
| LWFD3G120-072SM-02 | 24          | 95        | 3.96        | 2400        | 371             | 309               | 60            | /     |
| LWFD3G120-072SH-03 | 48          | 95        | 1.98        | 2400        | 371             | 309               | 60            | /     |



## Product Drawing (mm)



# LWFD-133 Series

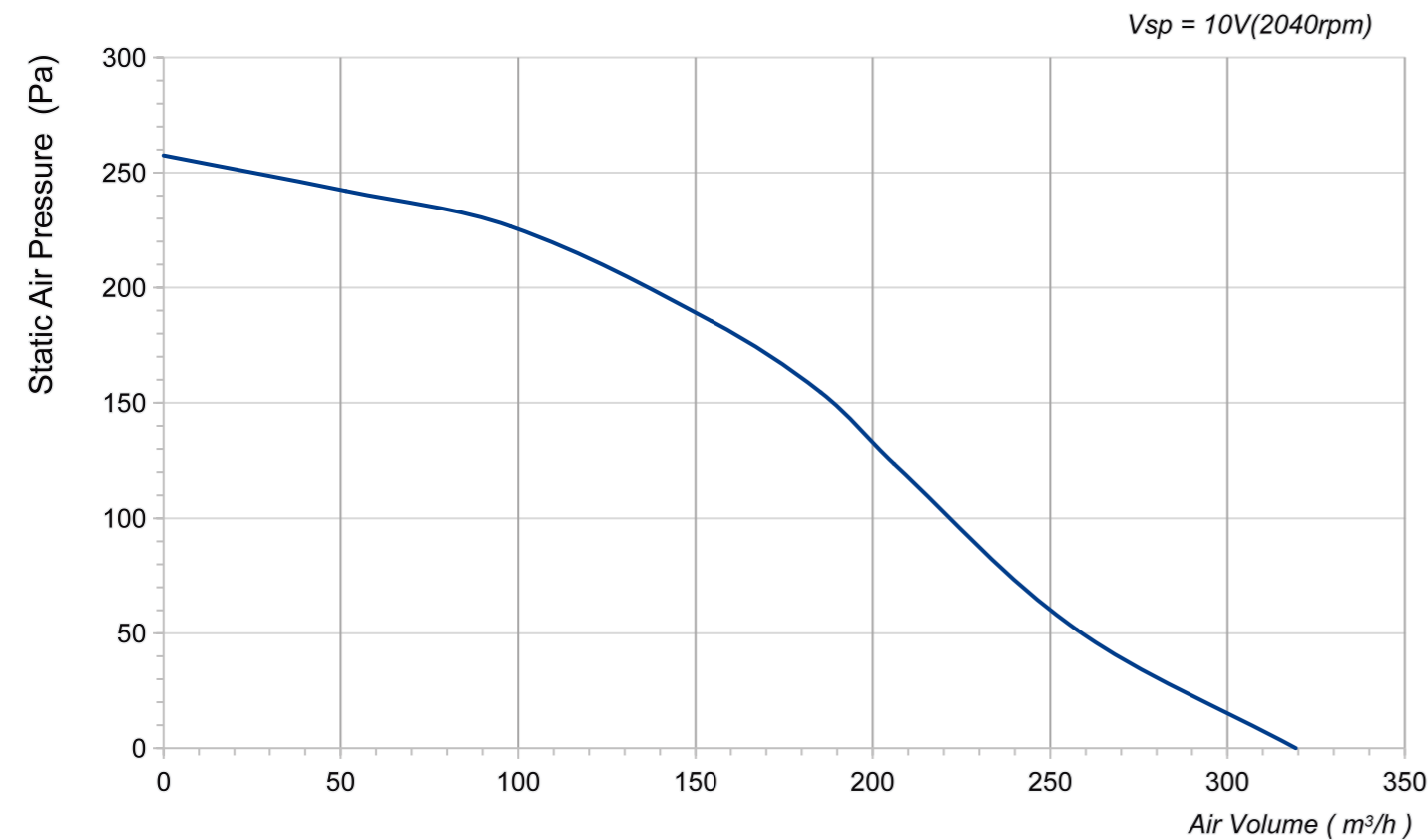
## Product Characteristic

- Material : Plastics PA66
- Mode of operation: S1
- Type of operation: IP54
- Insulation class: B
- Bearing: Maintenance-free ball bearings
- Operation Temperature: -30~+60 C

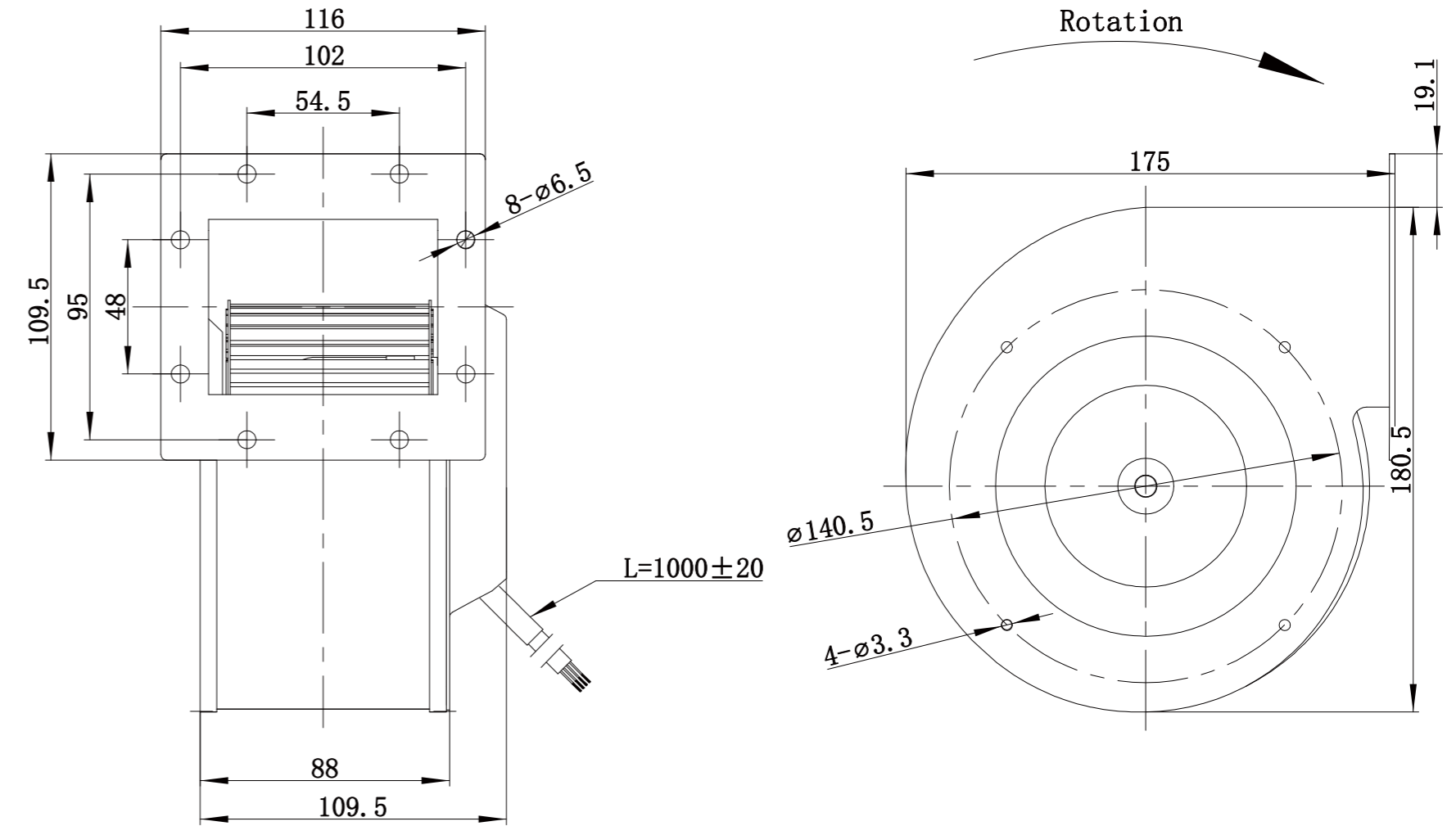


## Technical Specifications

| Model              | Voltage (V) | Power (W) | Current (A) | Speed (RPM) | Air Flow (m³/h) | Air Pressure (Pa) | Noise [dB(A)] | Curve |
|--------------------|-------------|-----------|-------------|-------------|-----------------|-------------------|---------------|-------|
| LWFD3G133-072SM-01 | 24          | 48        | 2           | 2040        | 319             | 258               | 63            | /     |
| LWFD3G133-072SH-01 | 48          | 48        | 1           | 2040        | 319             | 258               | 63            | /     |



## Product Drawing (mm)



# LWFD-140 Series

## Product Characteristic

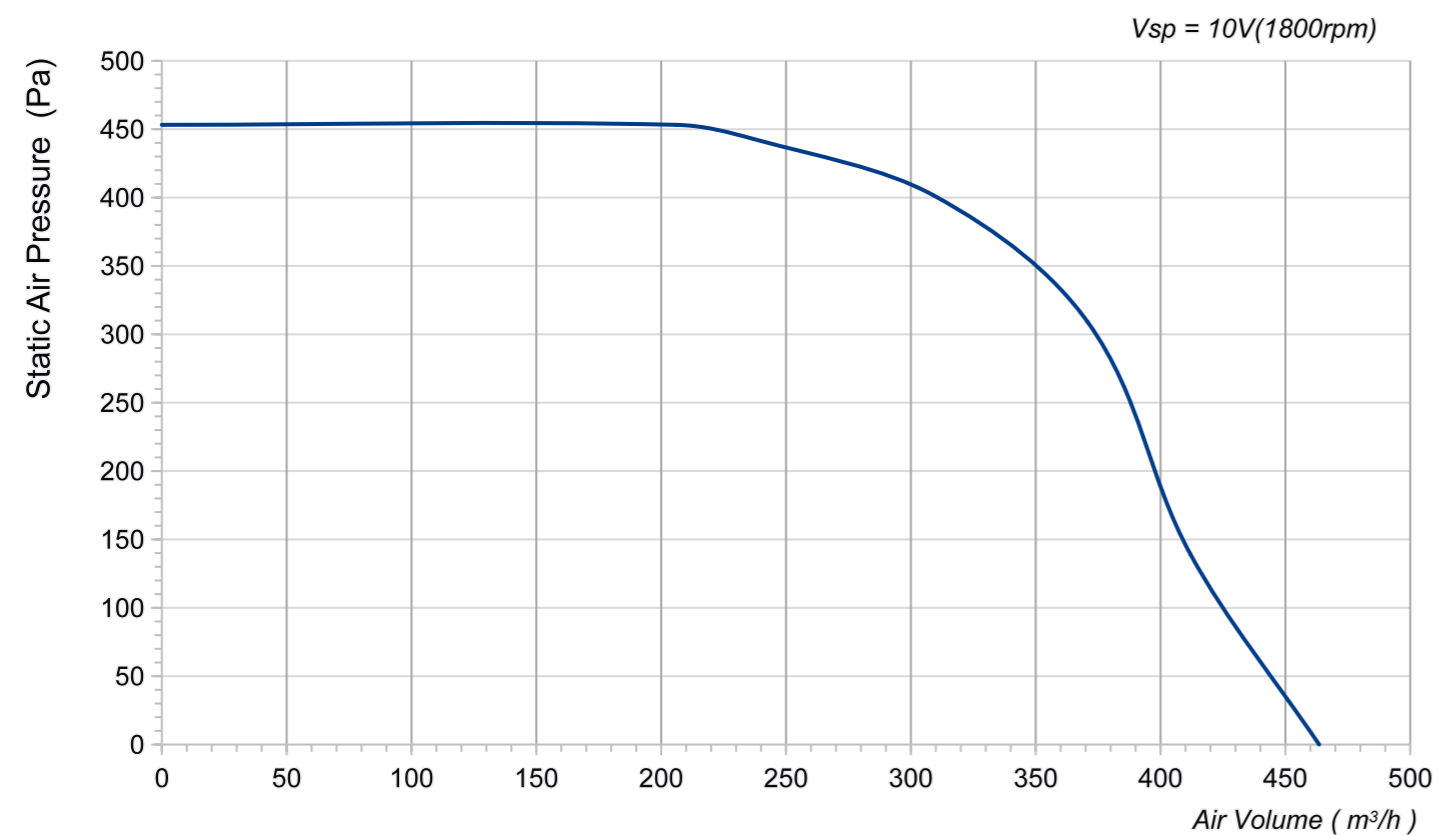
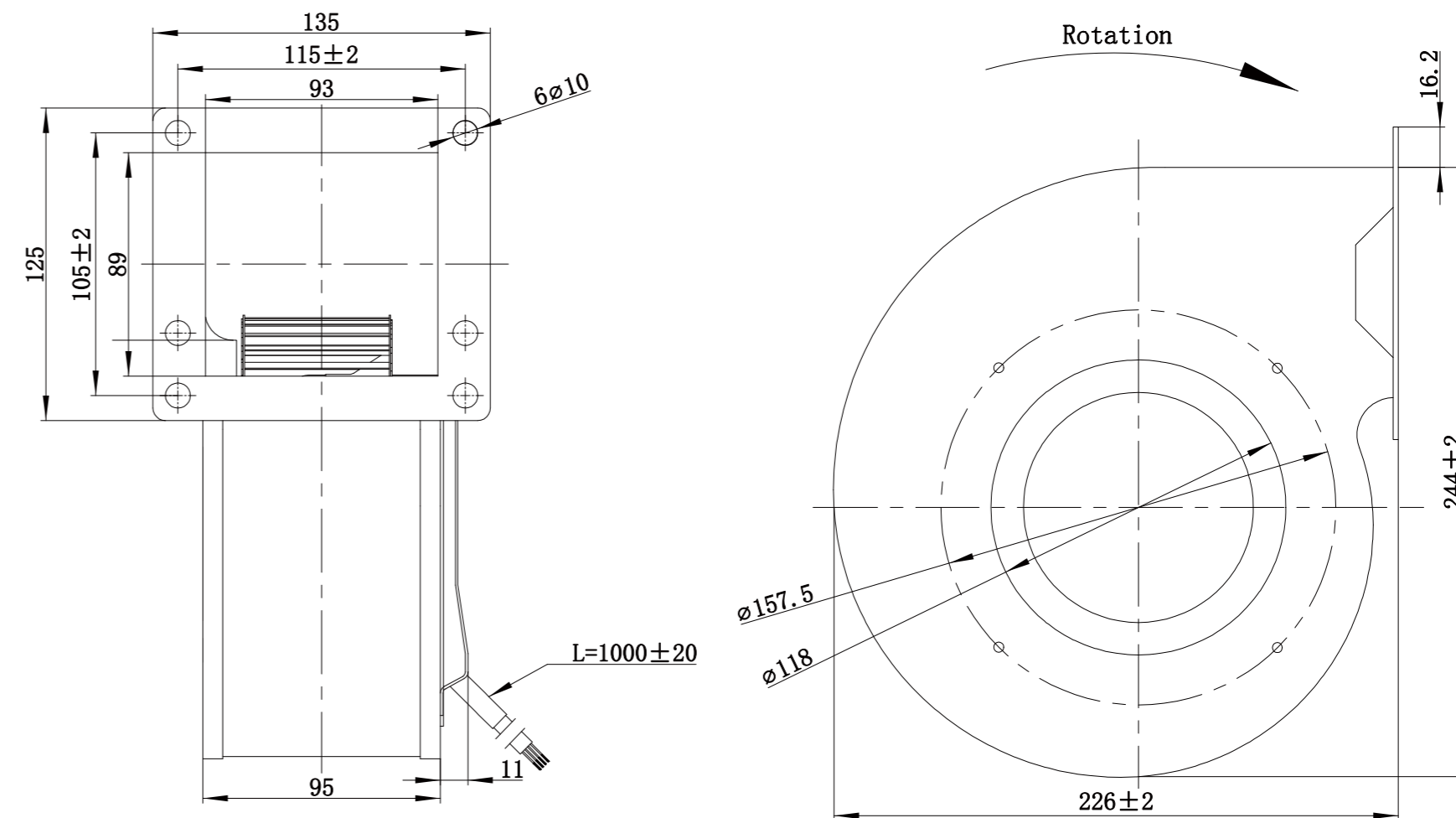
- Material : Plastics PA66
- Mode of operation: S1
- Type of operation: IP54
- Insulation class: B
- Bearing: Maintenance-free ball bearings
- Operation Temperature: -30~+60 C



## Technical Specifications

| Model              | Voltage (V) | Power (W) | Current (A) | Speed (RPM) | Air Flow (m³/h) | Air Pressure (Pa) | Noise [dB(A)] | Curve |
|--------------------|-------------|-----------|-------------|-------------|-----------------|-------------------|---------------|-------|
| LWFD3G140-072SM-01 | 24          | 80        | 3.3         | 1800        | 464             | 453               | 65            | /     |
| LWFD3G140-072SH-01 | 48          | 80        | 1.67        | 1800        | 464             | 453               | 65            | /     |

## Product Drawing (mm)



# LWFD-140 Series

## Product Characteristic

- Material : Plastics PA66
- Mode of operation: S1
- Type of operation: IP54
- Insulation class: B
- Bearing: Maintenance-free ball bearings
- Operation Temperature: -30~+60 C

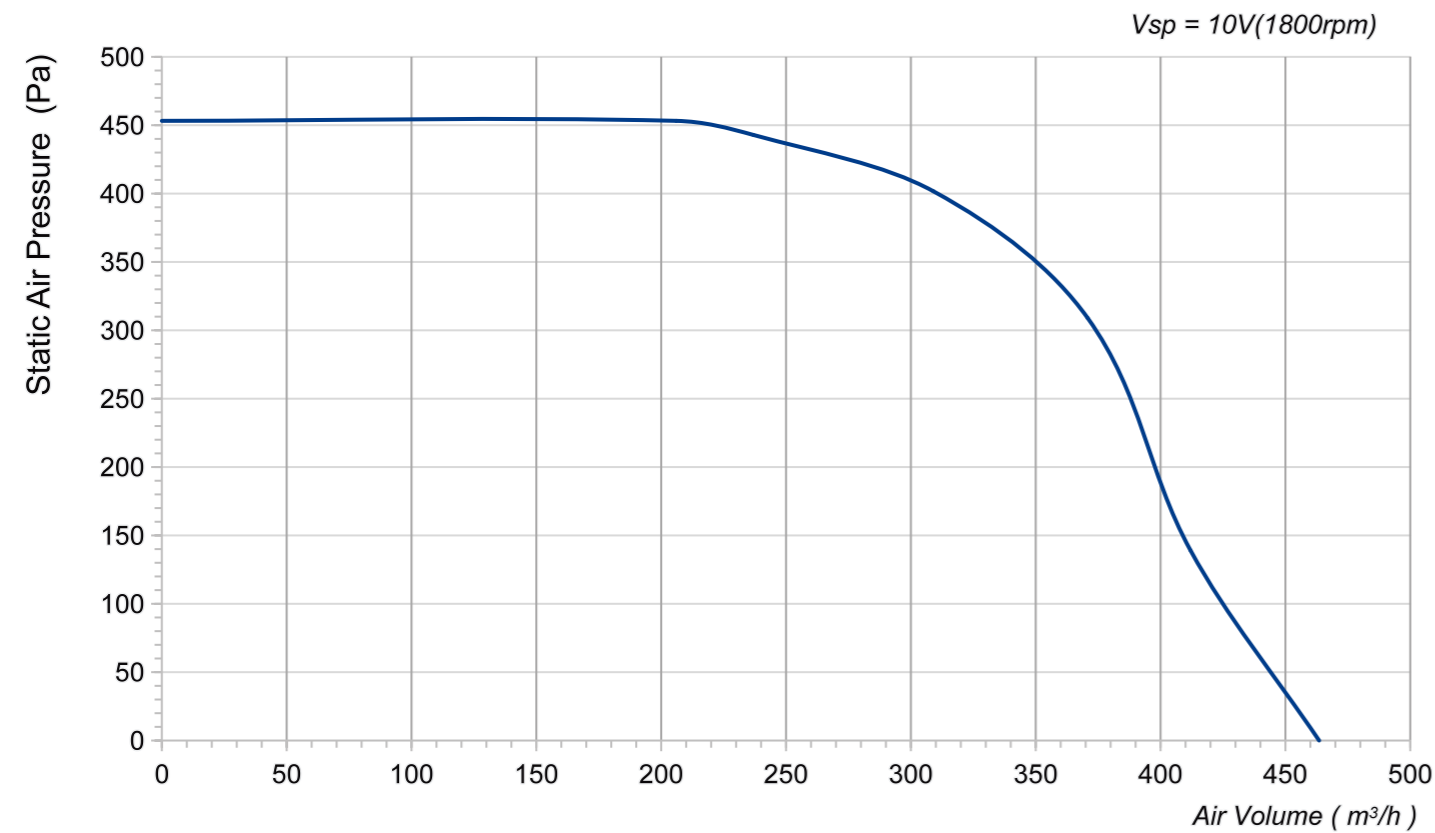
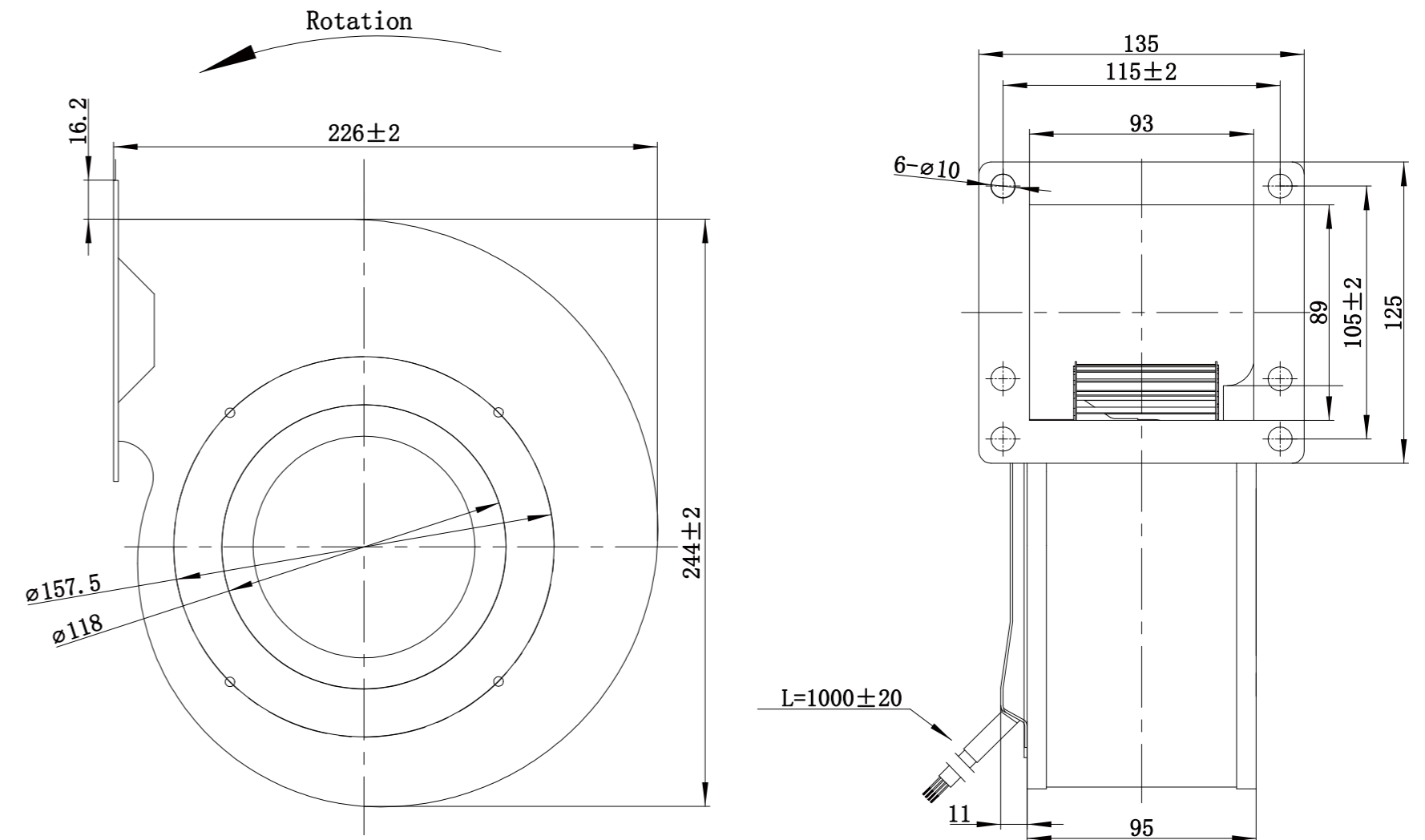


## Technical Specifications

| Model              | Voltage (V) | Power (W) | Current (A) | Speed (RPM) | Air Flow (m³/h) | Air Pressure (Pa) | Noise [dB(A)] | Curve |
|--------------------|-------------|-----------|-------------|-------------|-----------------|-------------------|---------------|-------|
| LWFD3G140-072SM-02 | 24          | 80        | 3.3         | 1800        | 464             | 453               | 65            | /     |
| LWFD3G140-072SH-02 | 48          | 80        | 1.67        | 1800        | 464             | 453               | 65            | /     |



## Product Drawing (mm)



# LWFD-160 Series

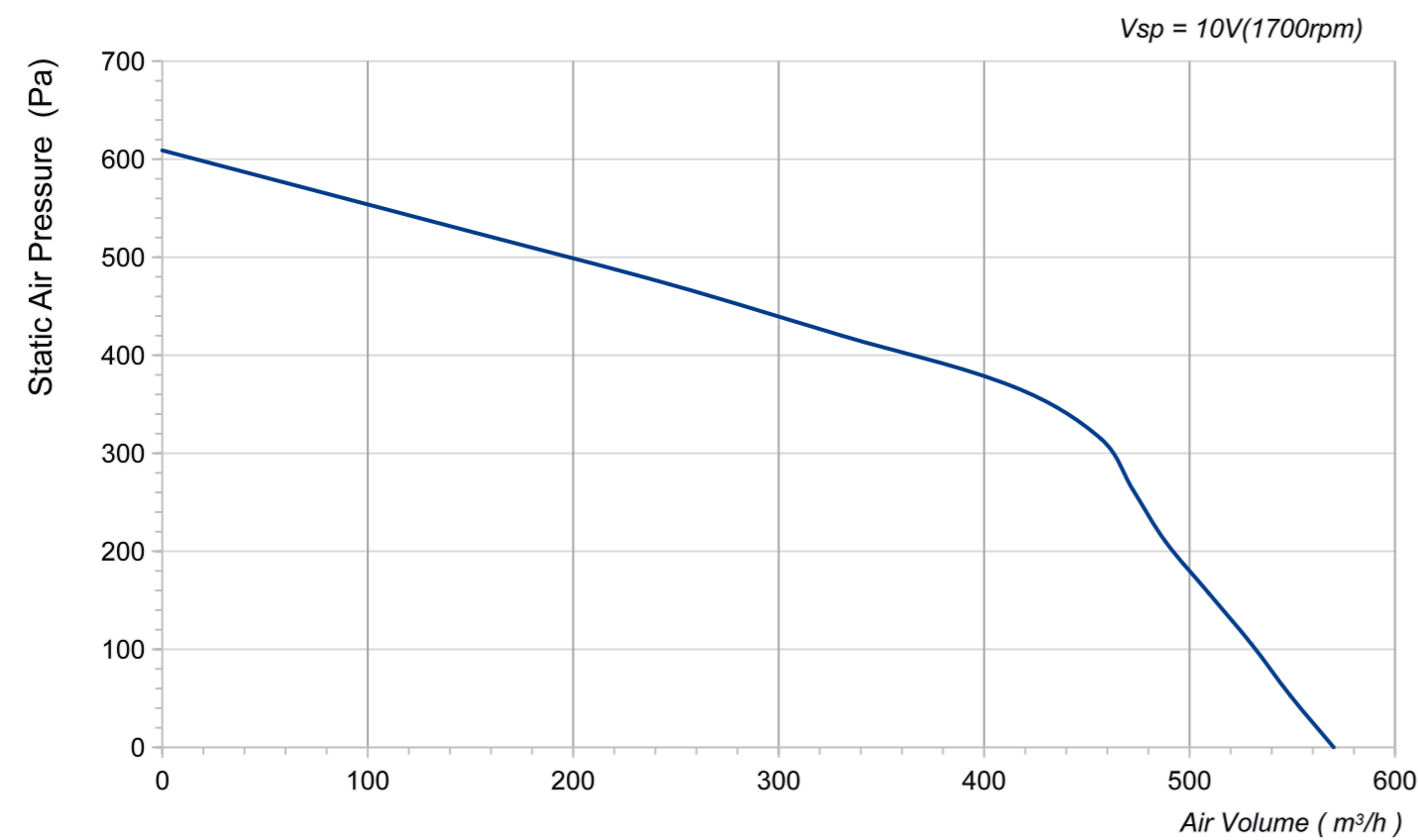
## Product Characteristic

- Material : Galvanised sheet steel
- Mode of operation: S1
- Type of operation: IP54
- Insulation class: F
- Bearing: Maintenance-free ball bearings
- Operation Temperature: -30~+60 C

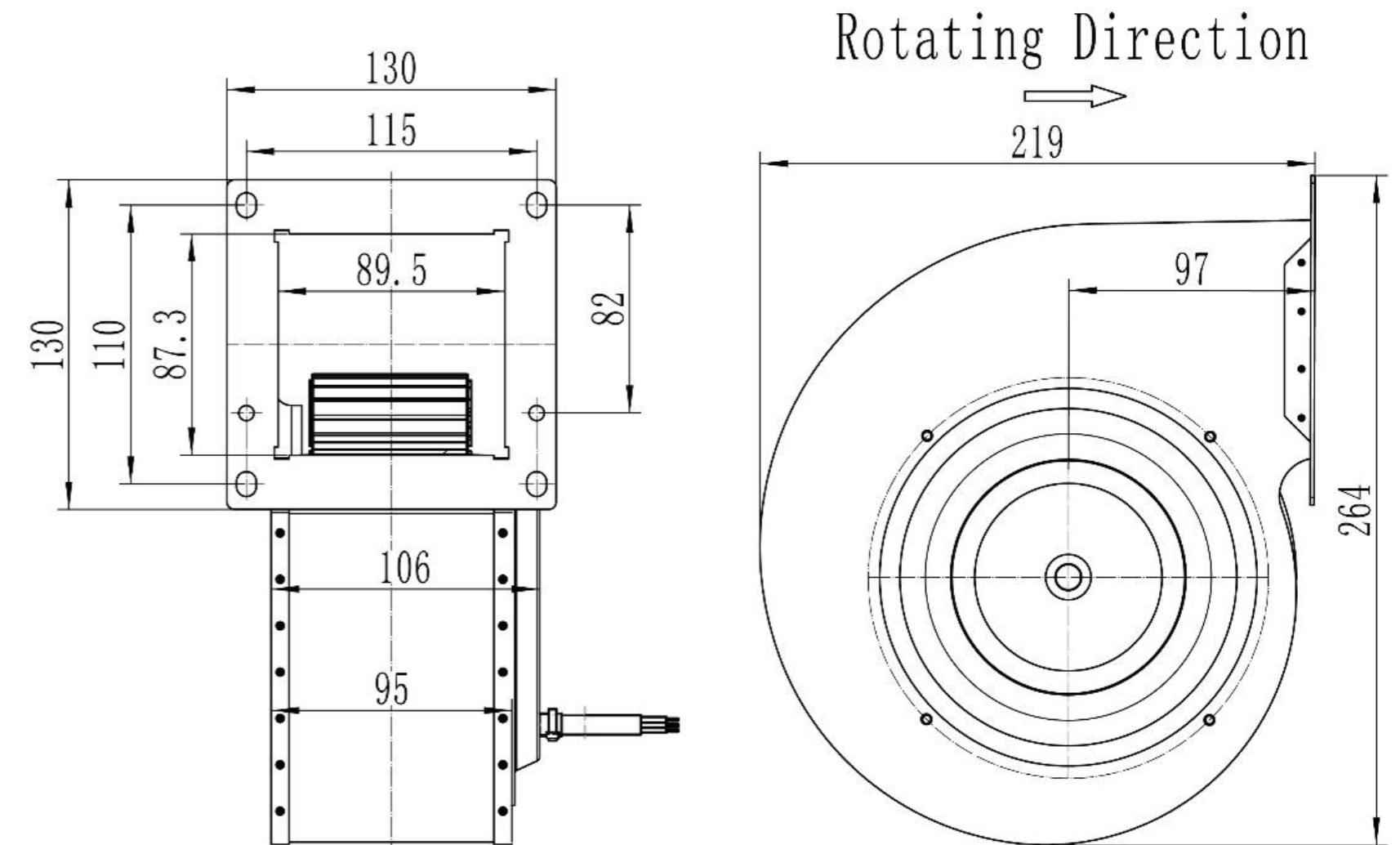


## Technical Specifications

| Model              | Voltage (V) | Power (W) | Current (A) | Speed (RPM) | Air Flow (m³/h) | Air Pressure (Pa) | Noise [dB(A)] | Curve |
|--------------------|-------------|-----------|-------------|-------------|-----------------|-------------------|---------------|-------|
| LWFD3G160-092SH-01 | 48          | 92        | 1.92        | 1700        | 570             | 609               | /             | /     |



## Product Drawing (mm)



# LWFD-160 Series

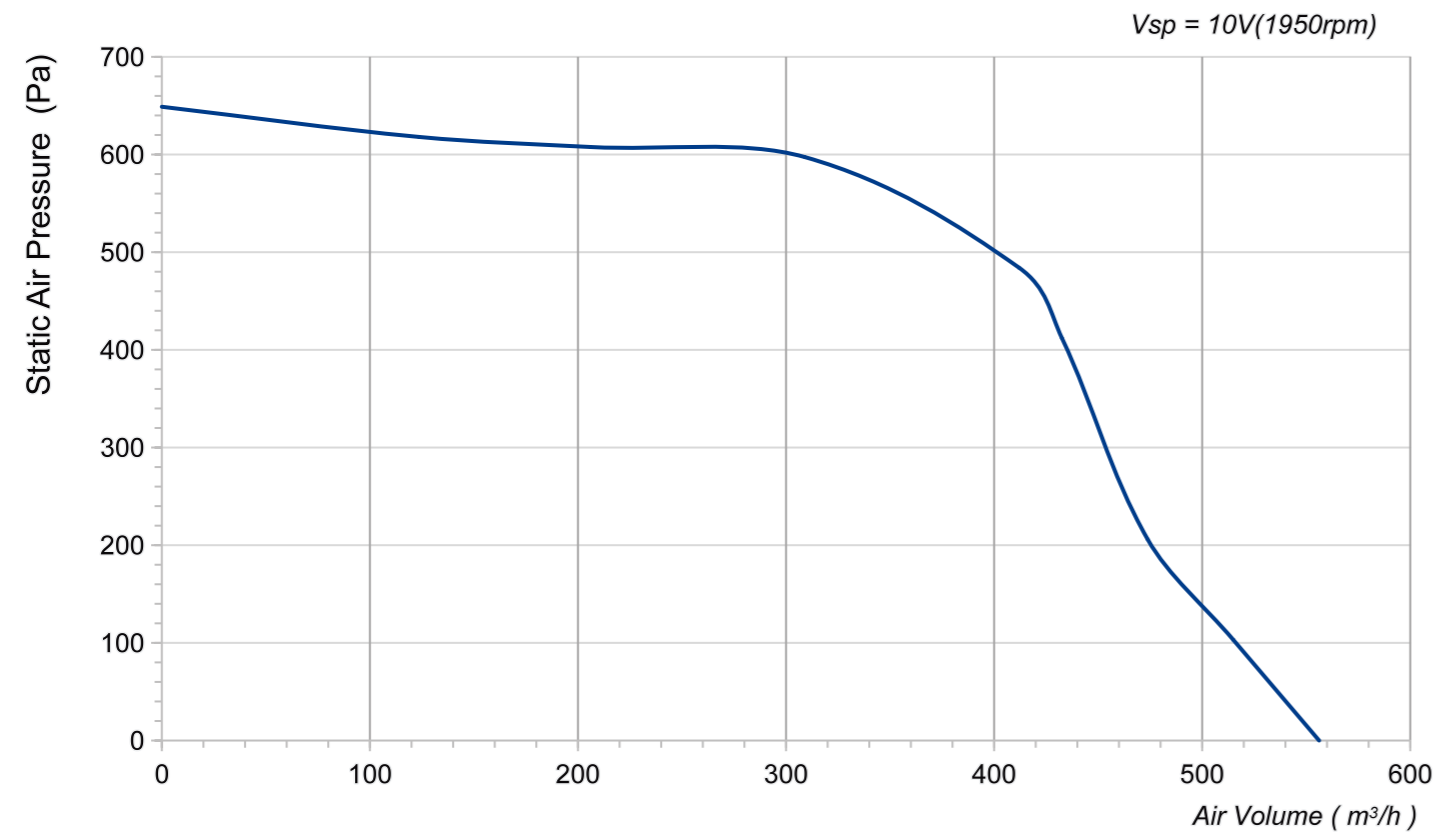
## Product Characteristic

- Material : Plastics PA66
- Mode of operation: S1
- Type of operation: IP54
- Insulation class: B
- Bearing: Maintenance-free ball bearings
- Operation Temperature: -30~+60 C

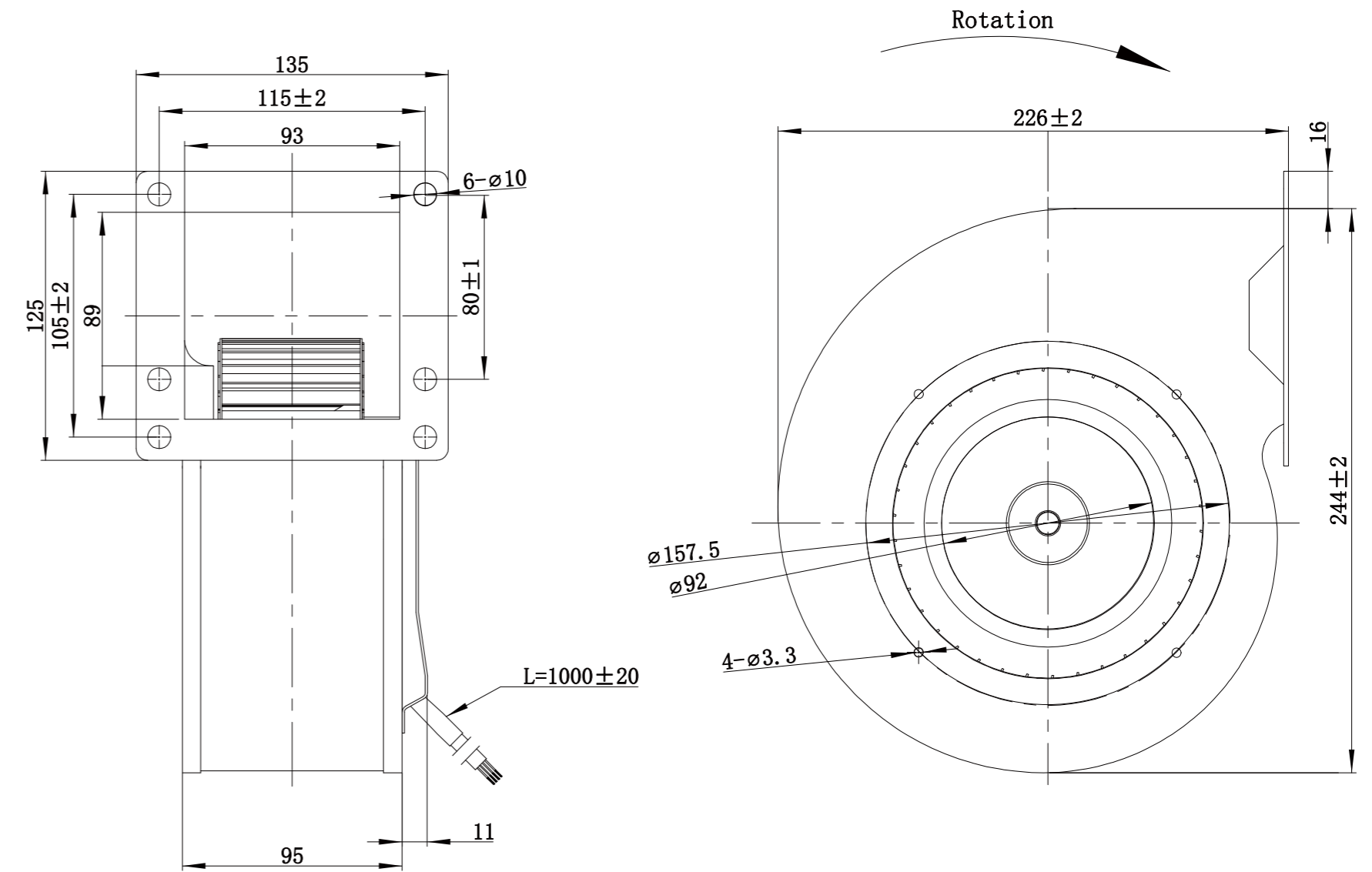


## Technical Specifications

| Model              | Voltage (V) | Power (W) | Current (A) | Speed (RPM) | Air Flow (m³/h) | Air Pressure (Pa) | Noise [dB(A)] | Curve |
|--------------------|-------------|-----------|-------------|-------------|-----------------|-------------------|---------------|-------|
| LWFD3G160-092SM-01 | 24          | 105       | 4.4         | 1950        | 556             | 649               | 62            | /     |
| LWFD3G160-092SH-02 | 48          | 105       | 2.2         | 1950        | 556             | 649               | 62            | /     |



## Product Drawing (mm)



# LWFD-160 Series

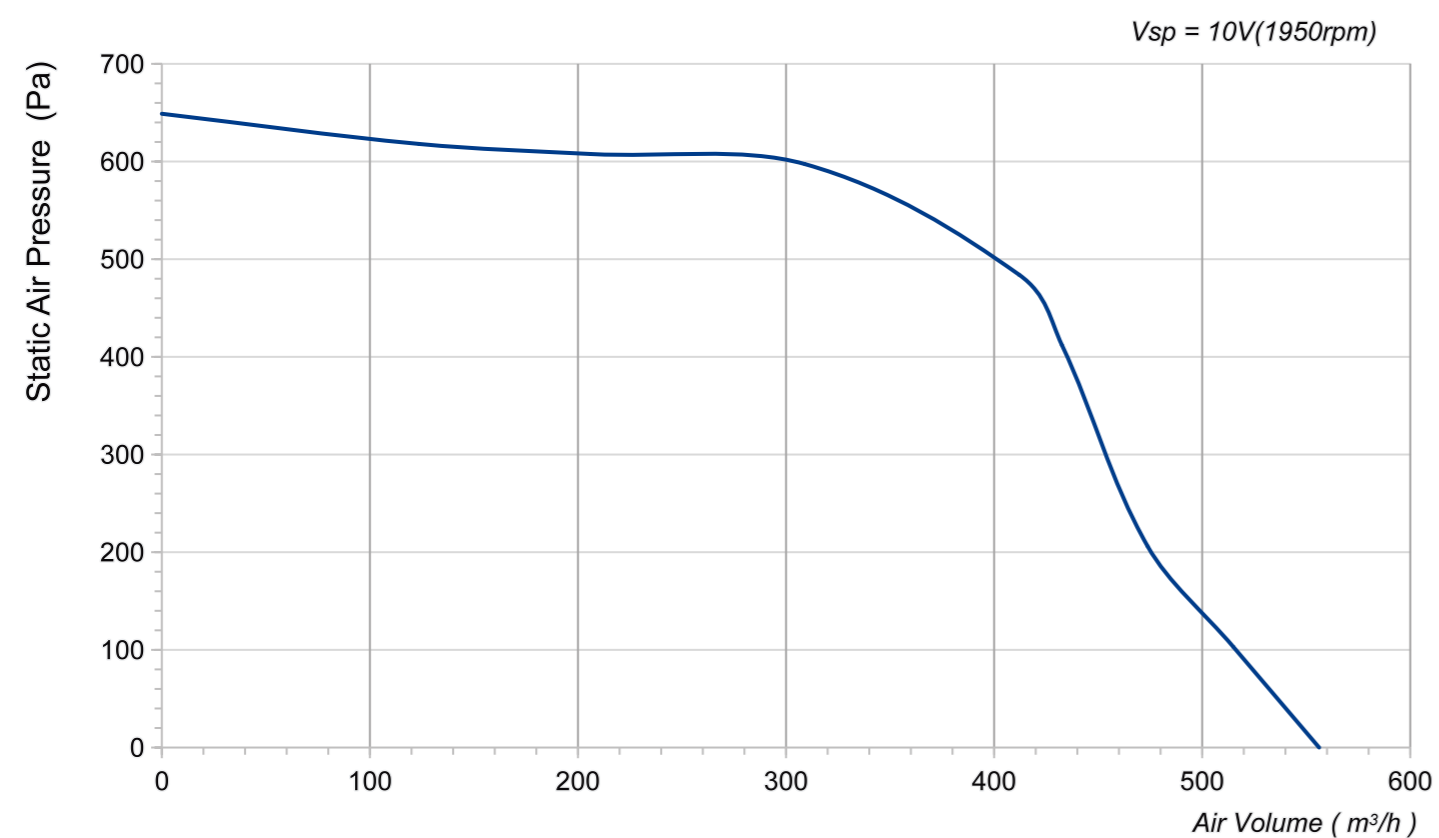
## Product Characteristic

- Material : Plastics PA66
- Mode of operation: S1
- Type of operation: IP54
- Insulation class: B
- Bearing: Maintenance-free ball bearings
- Operation Temperature: -30~+60 C

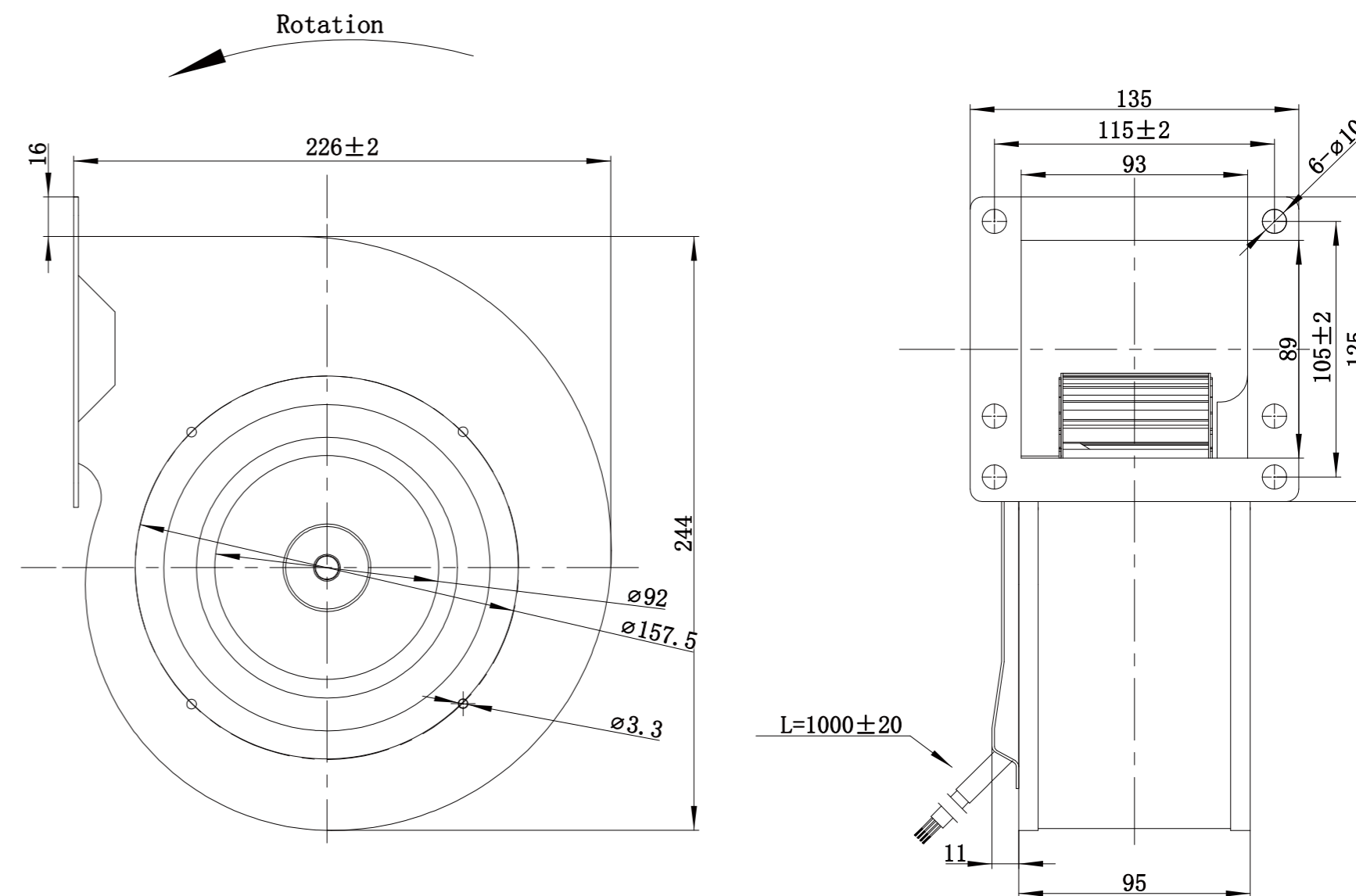


## Technical Specifications

| Model              | Voltage (V) | Power (W) | Current (A) | Speed (RPM) | Air Flow (m³/h) | Air Pressure (Pa) | Noise [dB(A)] | Curve |
|--------------------|-------------|-----------|-------------|-------------|-----------------|-------------------|---------------|-------|
| LWFD3G160-092SM-02 | 24          | 105       | 4.4         | 1950        | 556             | 649               | 62            | /     |
| LWFD3G160-092SH-03 | 48          | 105       | 2.2         | 1950        | 556             | 649               | 62            | /     |



## Product Drawing (mm)



# LWFD-180 Series

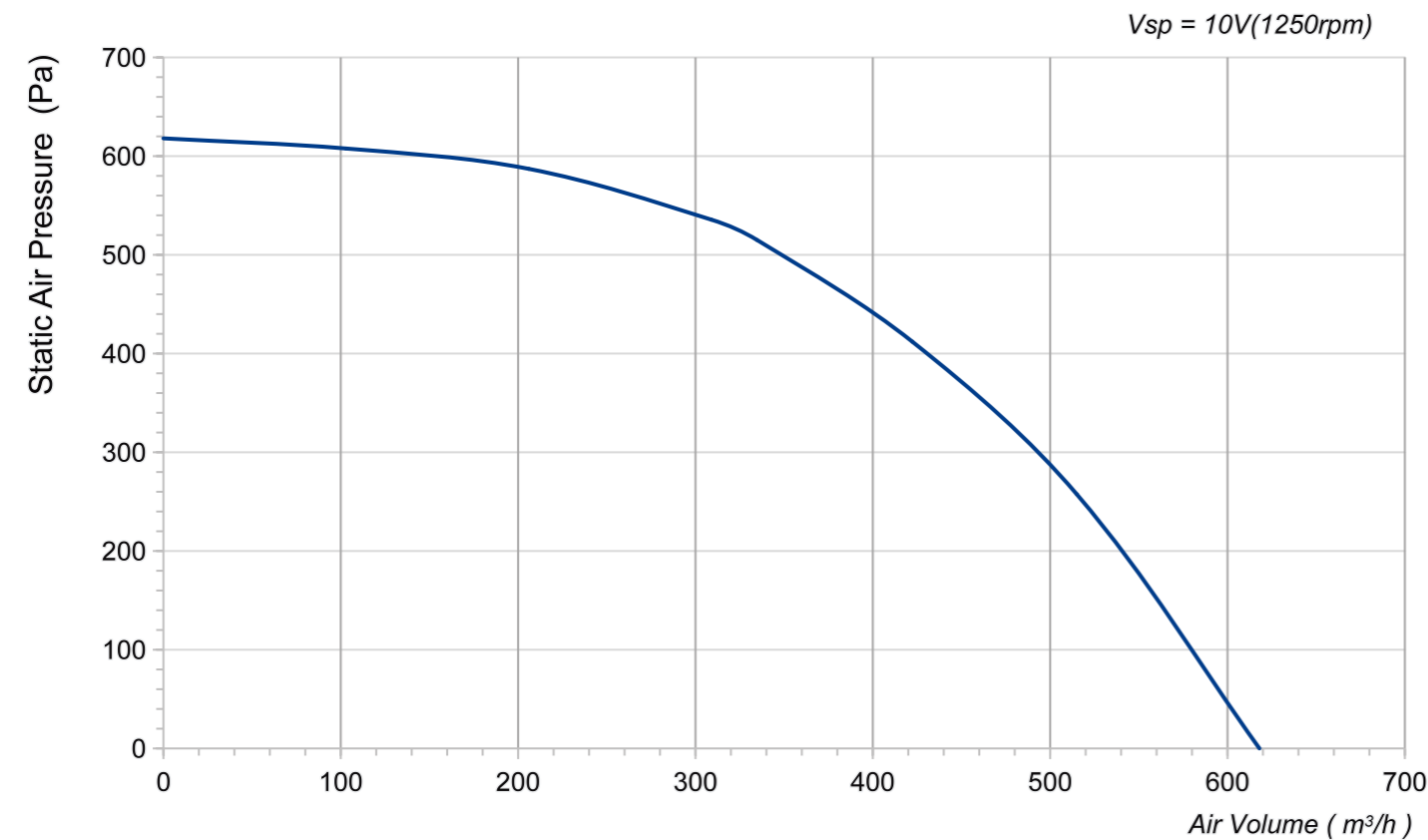
## Product Characteristic

- Material : Plastics PA66
- Mode of operation: S1
- Type of operation: IP54
- Insulation class: B
- Bearing: Maintenance-free ball bearings
- Operation Temperature: -30~+60 C

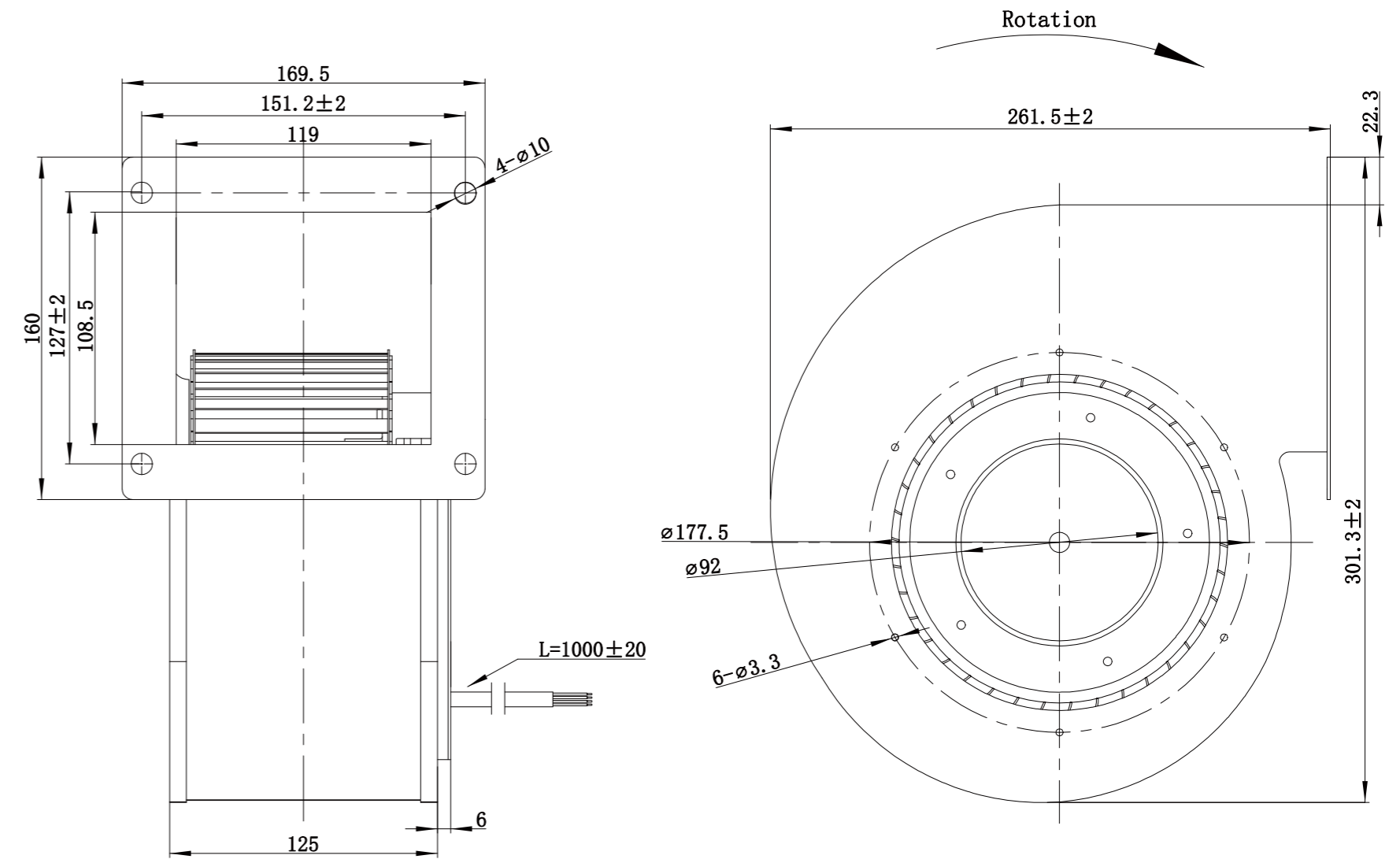


## Technical Specifications

| Model              | Voltage (V) | Power (W) | Current (A) | Speed (RPM) | Air Flow (m³/h) | Air Pressure (Pa) | Noise [dB(A)] | Curve |
|--------------------|-------------|-----------|-------------|-------------|-----------------|-------------------|---------------|-------|
| LWFD3G180-092SM-01 | 24          | 90        | 3.8         | 1250        | 618             | 618               | 67            | /     |
| LWFD3G180-092SH-01 | 48          | 90        | 1.9         | 1250        | 618             | 618               | 67            | /     |



## Product Drawing (mm)



# LWFD-120 Series

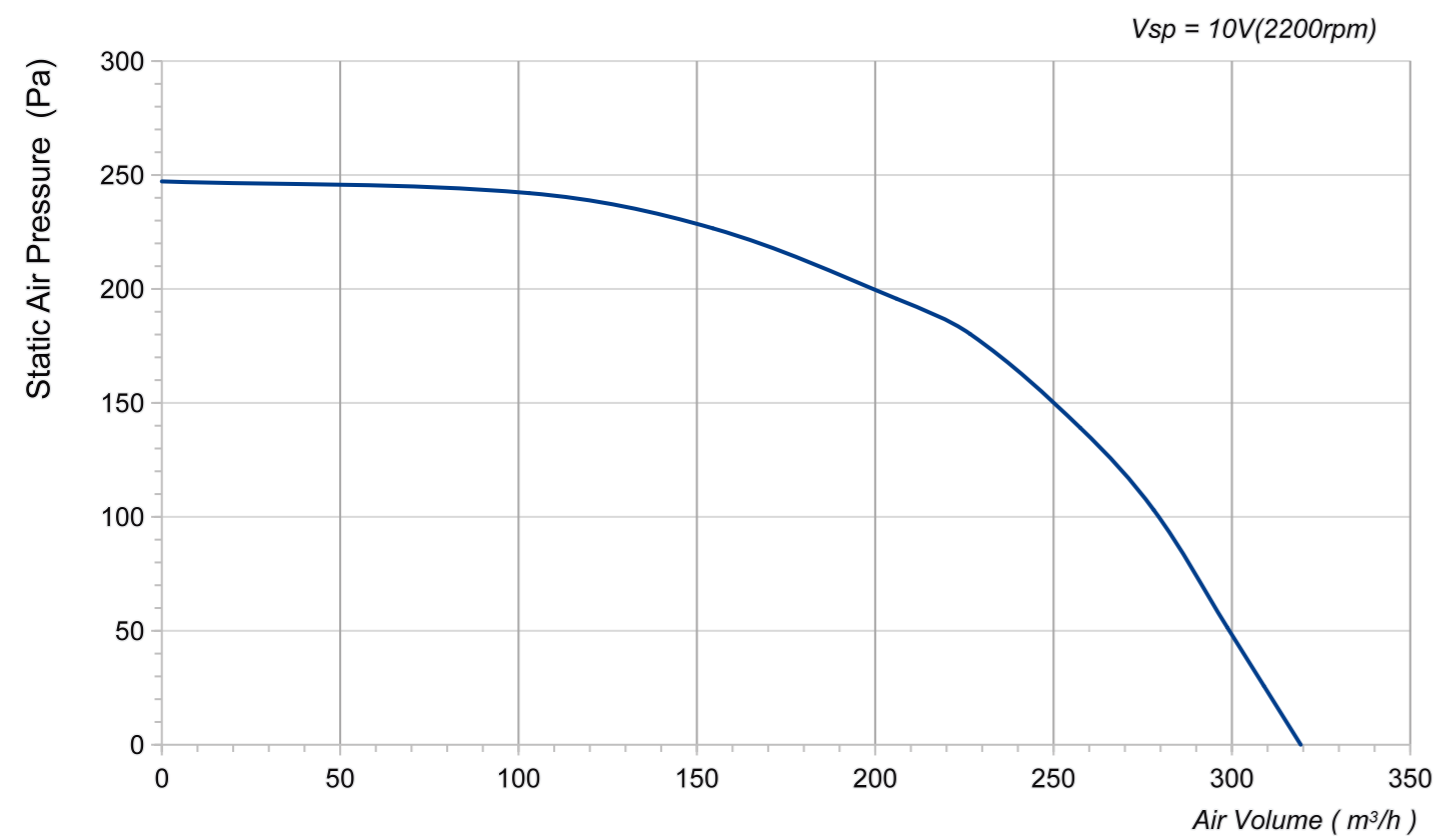
## Product Characteristic

- Material : Plastics PA66
- Mode of operation: S1
- Type of operation: IP54
- Insulation class: B
- Bearing: Maintenance-free ball bearings
- Operation Temperature: -30~+60 C

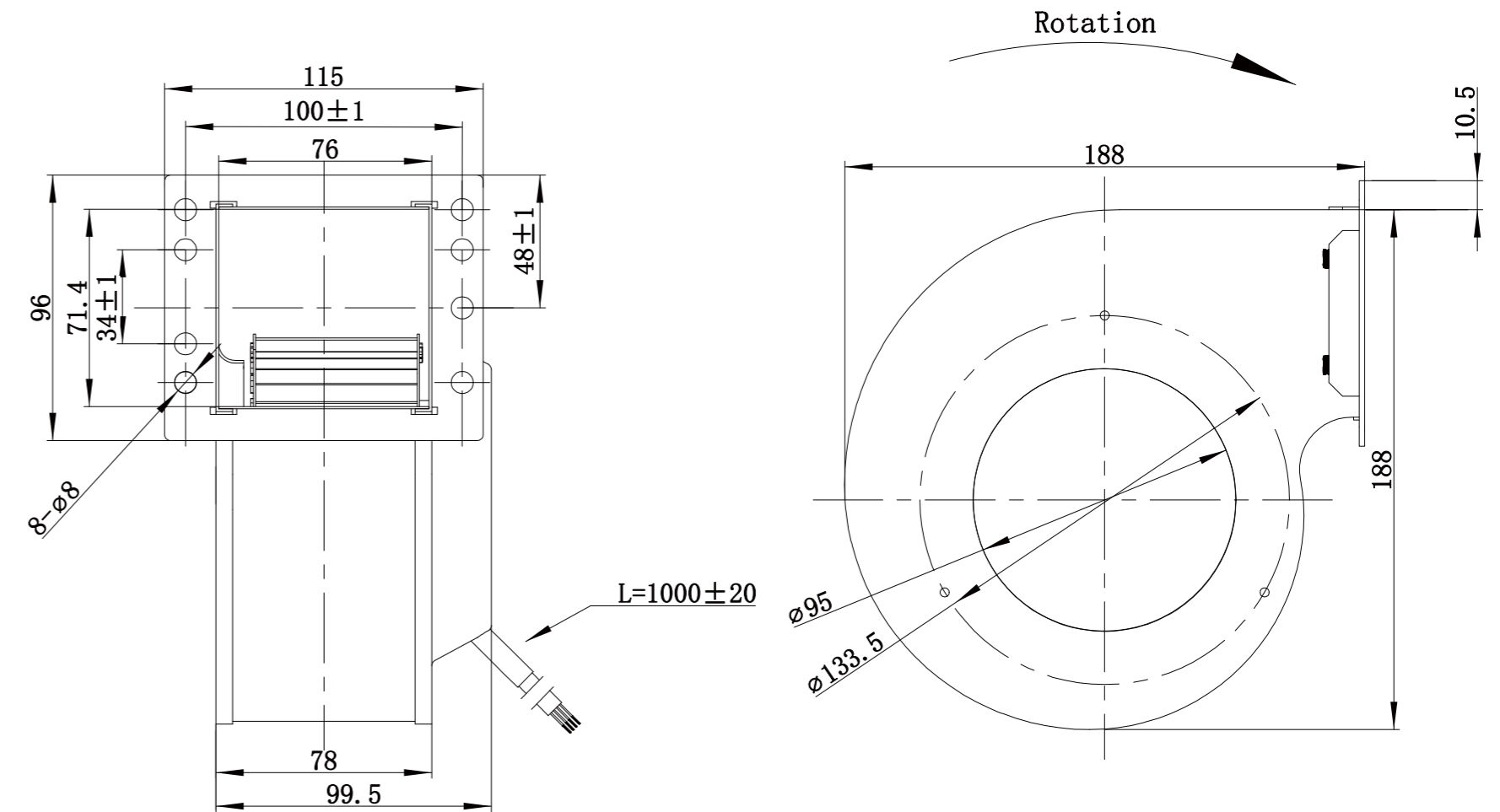


## Technical Specifications

| Model              | Voltage (V) | Power (W) | Current (A) | Speed (RPM) | Air Flow (m³/h) | Air Pressure (Pa) | Noise [dB(A)] | Curve |
|--------------------|-------------|-----------|-------------|-------------|-----------------|-------------------|---------------|-------|
| LWFD3G120-072SZ-01 | 310         | 65        | 0.21        | 2200        | 319             | 247               | 57            | /     |



## Product Drawing (mm)



# LWFD-120 Series

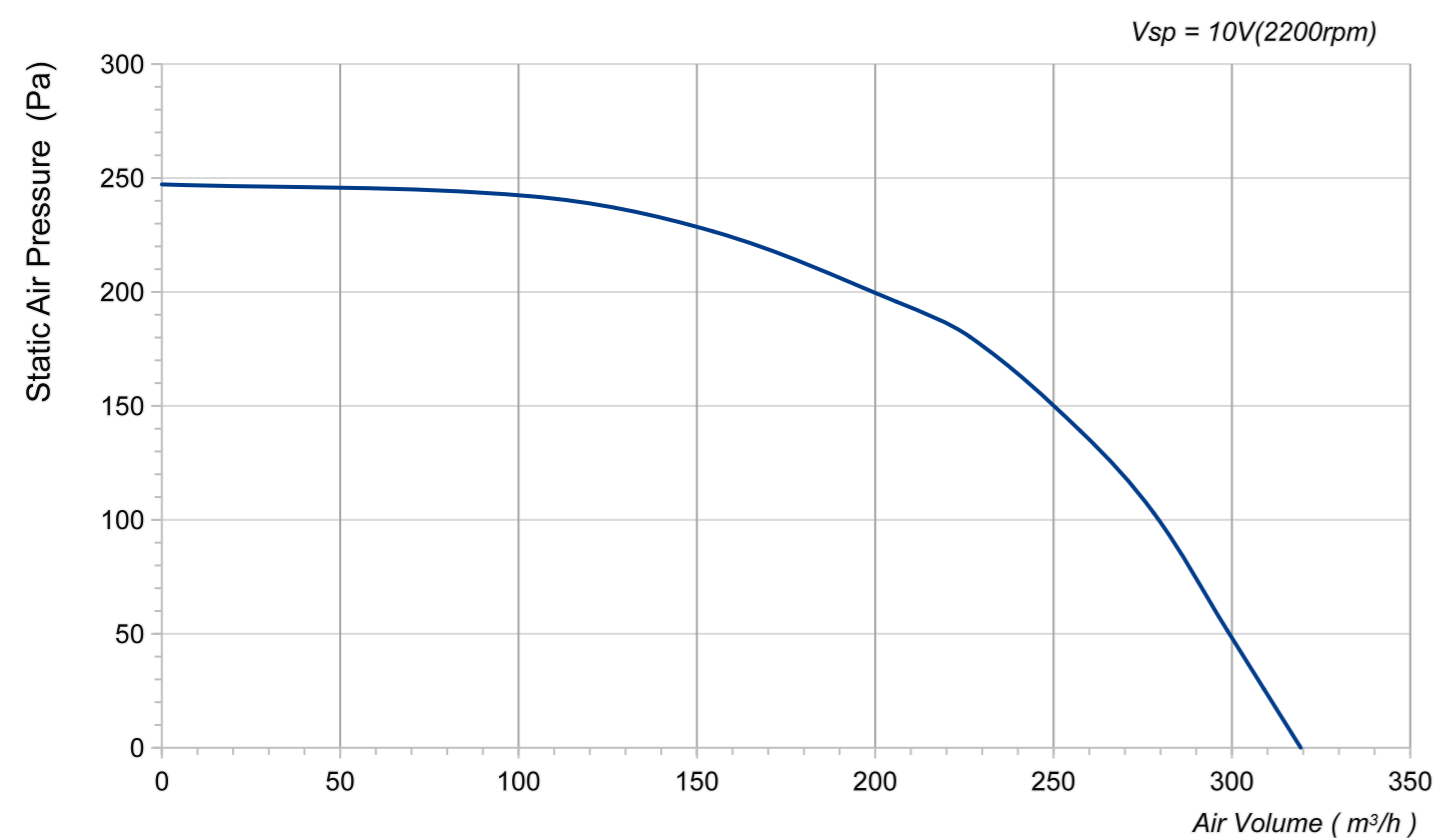
## Product Characteristic

- Material : Plastics PA66
- Mode of operation: S1
- Type of operation: IP54
- Insulation class: B
- Bearing: Maintenance-free ball bearings
- Operation Temperature: -30~+60 C

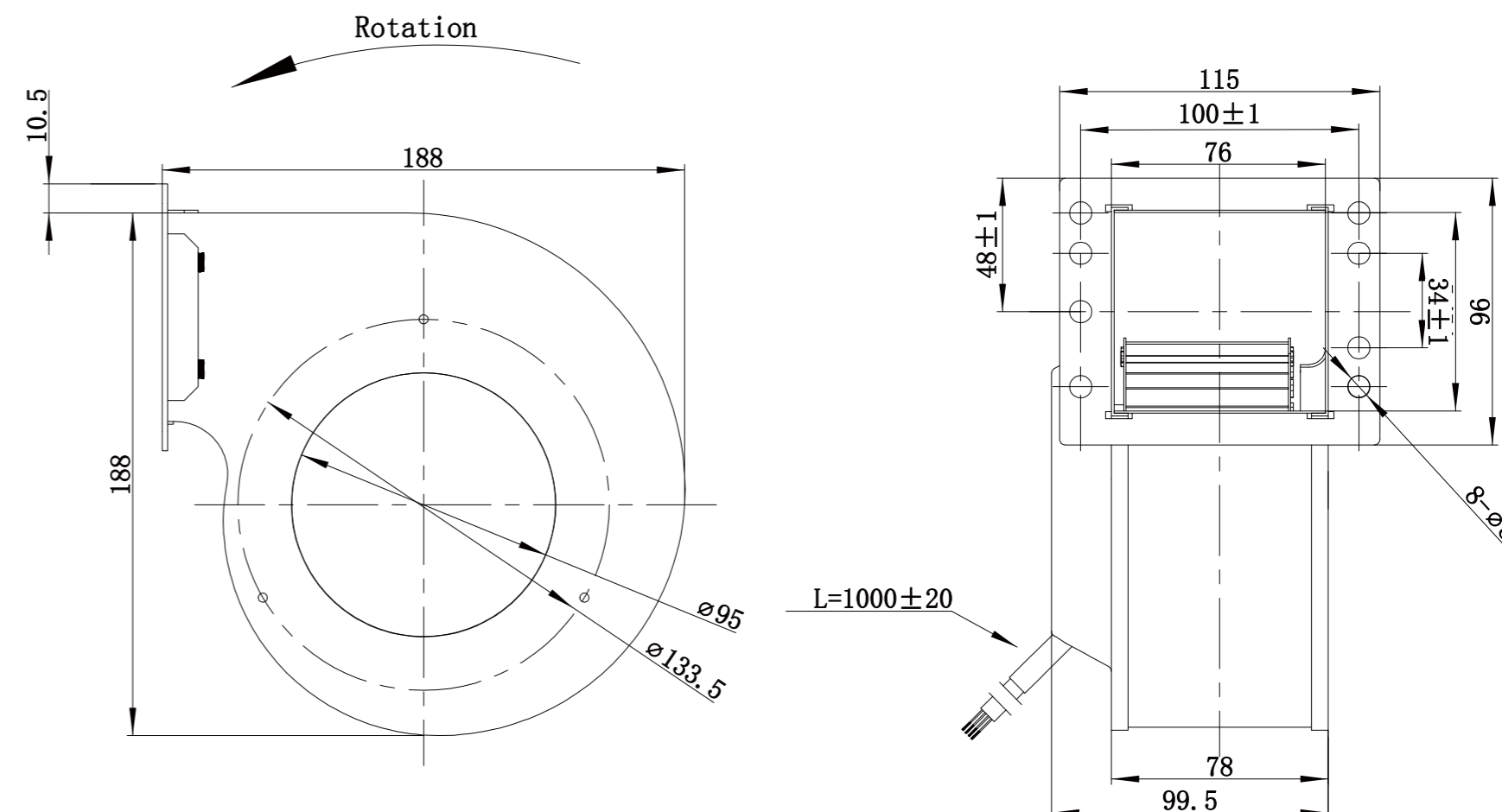


## Technical Specifications

| Model              | Voltage (V) | Power (W) | Current (A) | Speed (RPM) | Air Flow (m³/h) | Air Pressure (Pa) | Noise [dB(A)] | Curve |
|--------------------|-------------|-----------|-------------|-------------|-----------------|-------------------|---------------|-------|
| LWFD3G120-072SZ-02 | 310         | 65        | 0.21        | 2200        | 319             | 247               | 57            | /     |



## Product Drawing (mm)



# LWFD-133 Series

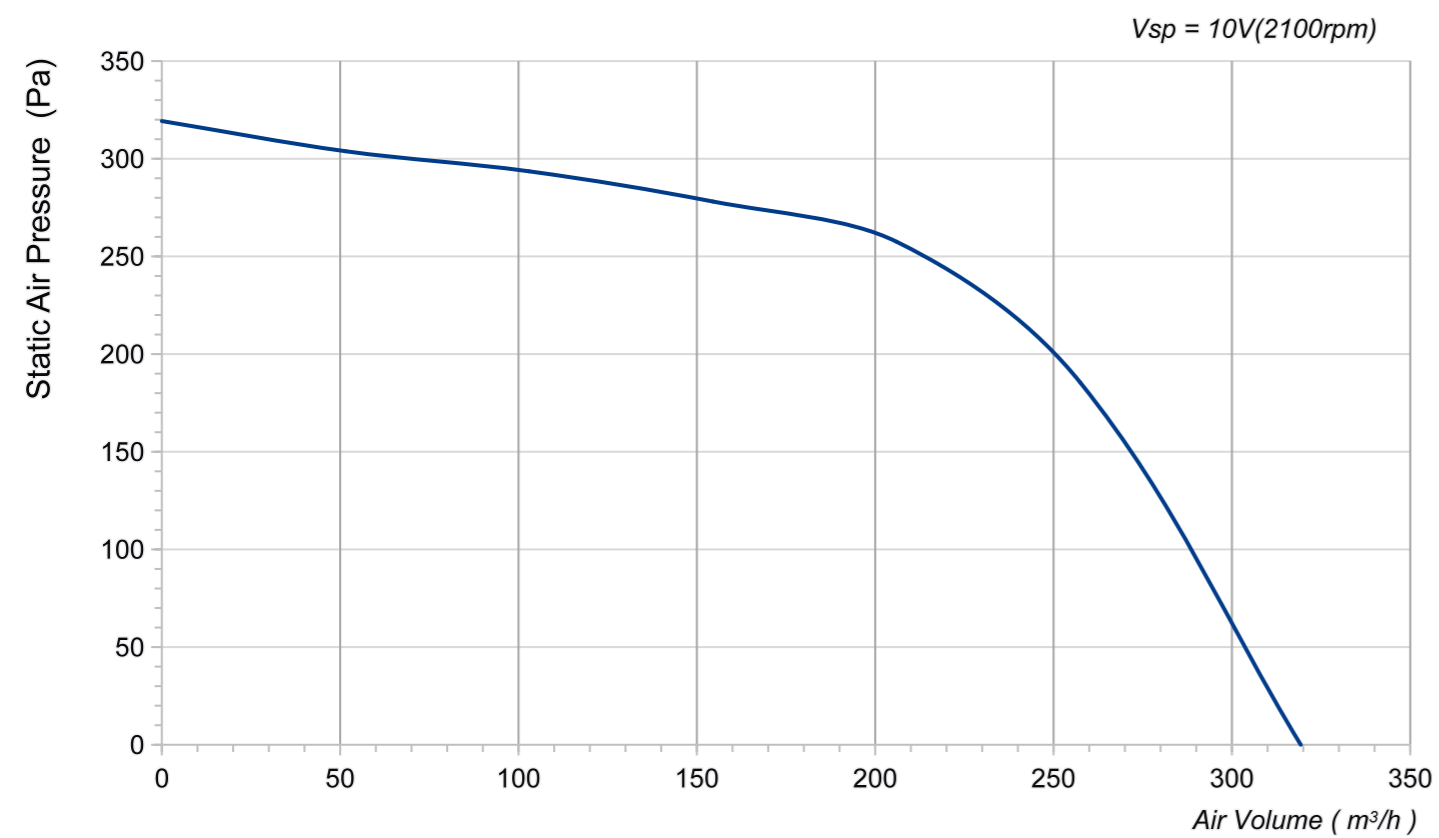
## Product Characteristic

- Material : Plastics PA66
- Mode of operation: S1
- Type of operation: IP54
- Insulation class: B
- Bearing: Maintenance-free ball bearings
- Operation Temperature: -30~+60 C

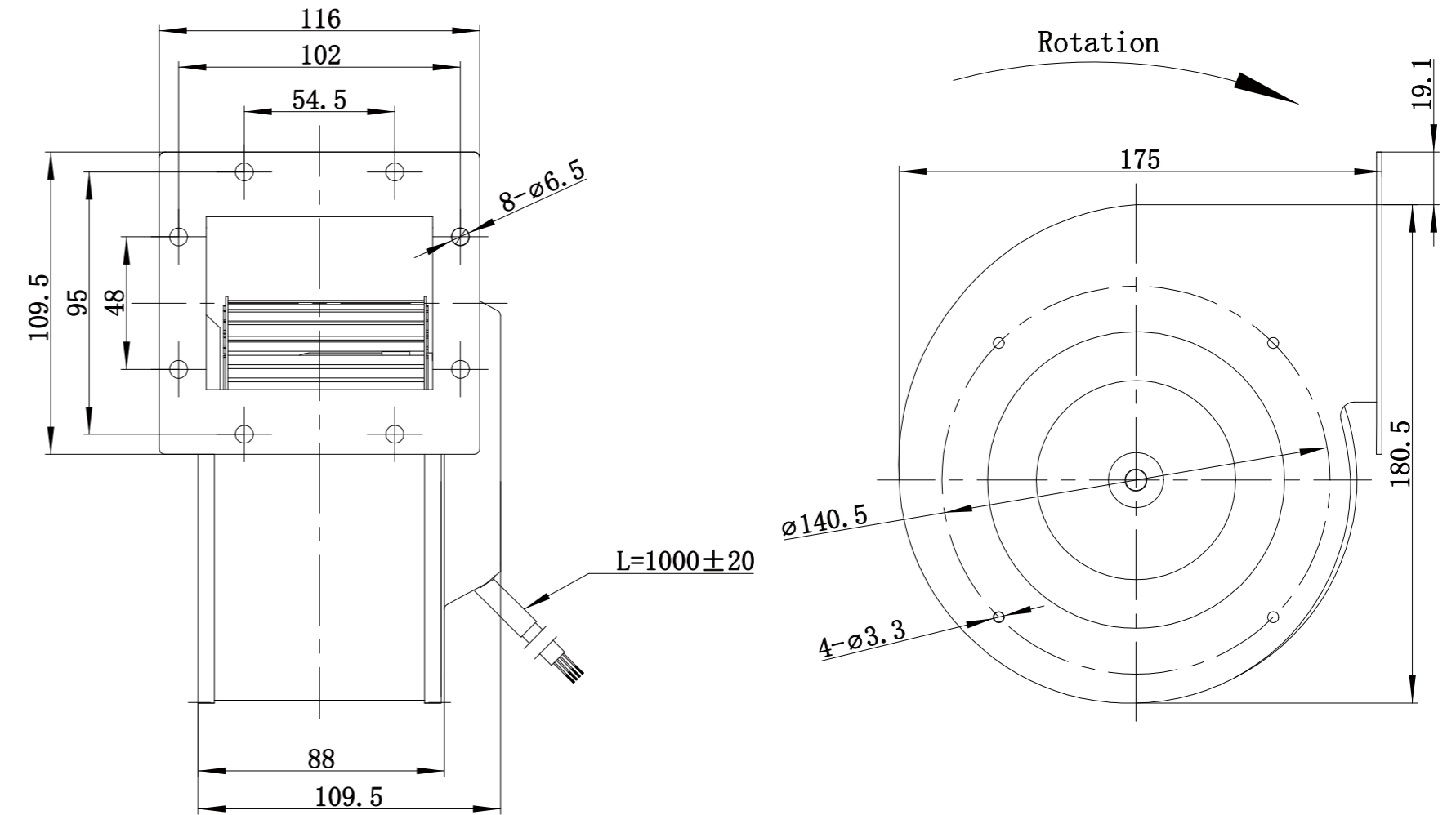


## Technical Specifications

| Model              | Voltage (V) | Power (W) | Current (A) | Speed (RPM) | Air Flow (m³/h) | Air Pressure (Pa) | Noise [dB(A)] | Curve |
|--------------------|-------------|-----------|-------------|-------------|-----------------|-------------------|---------------|-------|
| LWFD3G133-072SZ-01 | 310         | 65        | 0.21        | 2100        | 319             | 319               | 59            | /     |



## Product Drawing (mm)



# LWFD-140 Series

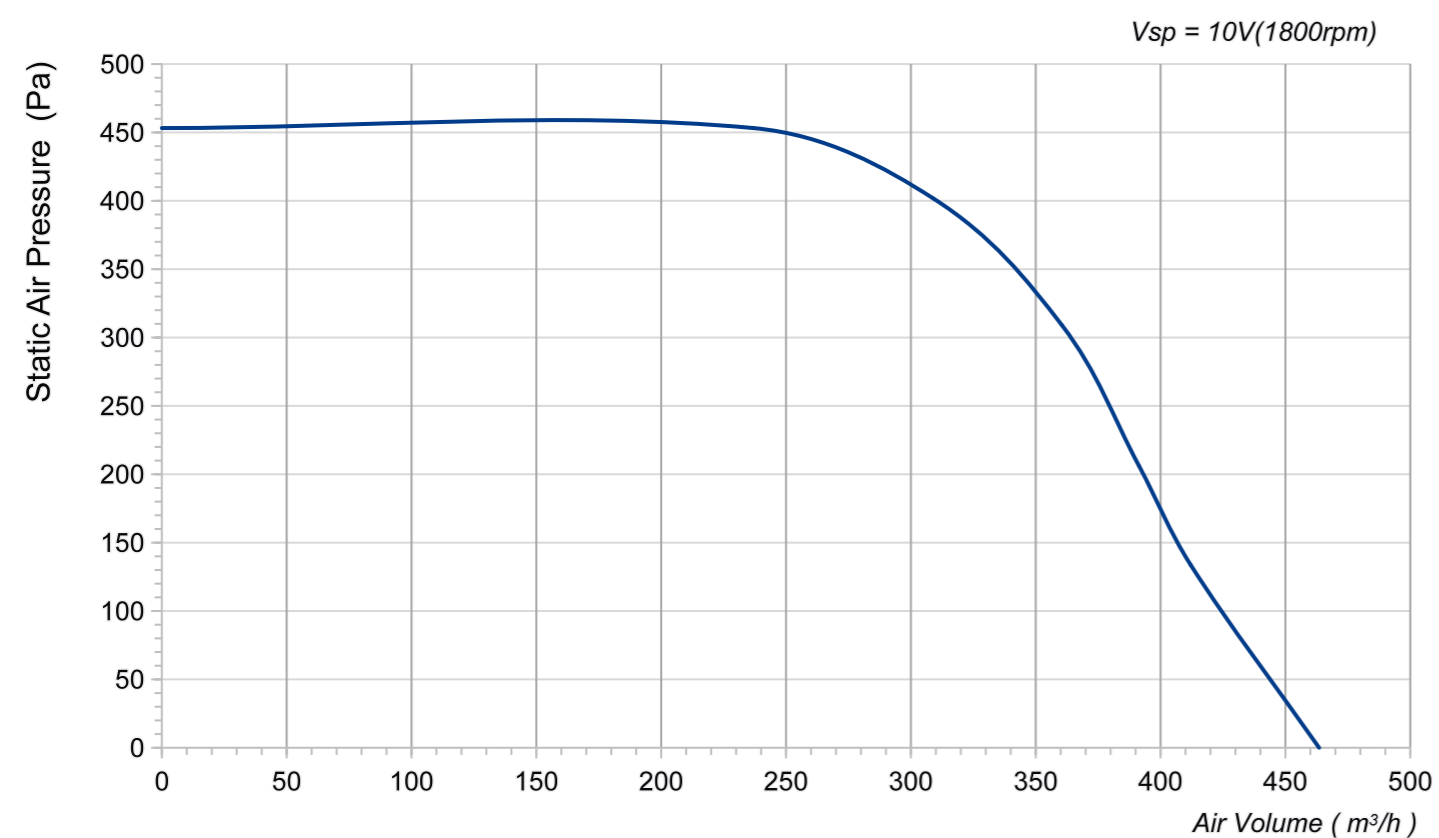
## Product Characteristic

- Material : Plastics PA66
- Mode of operation: S1
- Type of operation: IP54
- Insulation class: B
- Bearing: Maintenance-free ball bearings
- Operation Temperature: -30~+60 C

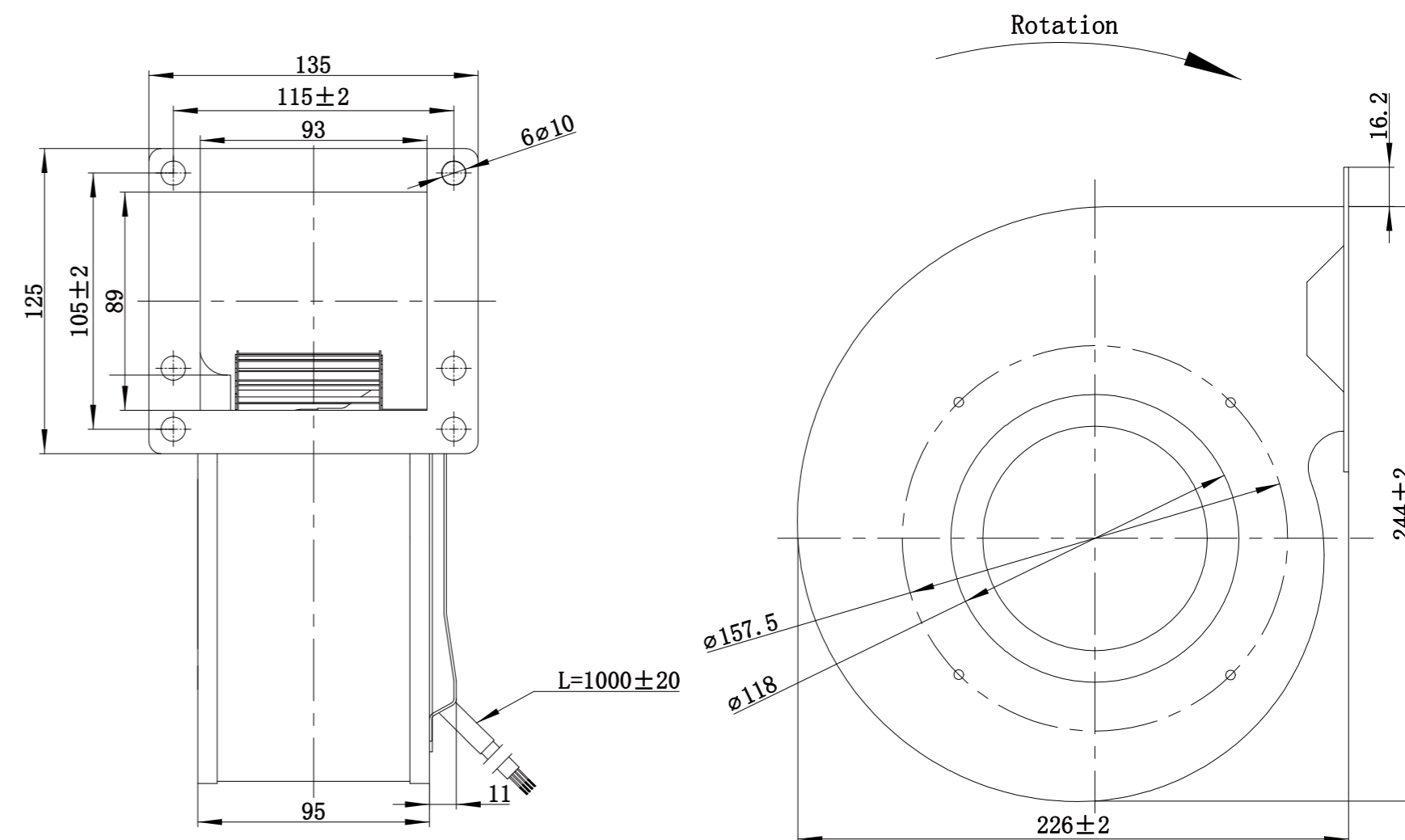


## Technical Specifications

| Model              | Voltage (V) | Power (W) | Current (A) | Speed (RPM) | Air Flow (m³/h) | Air Pressure (Pa) | Noise [dB(A)] | Curve |
|--------------------|-------------|-----------|-------------|-------------|-----------------|-------------------|---------------|-------|
| LWFD3G140-072SZ-01 | 310         | 80        | 0.26        | 1800        | 464             | 453               | 71            | /     |



## Product Drawing (mm)



# LWFD-140 Series

## Product Characteristic

- Material : Plastics PA66
- Mode of operation: S1
- Type of operation: IP54
- Insulation class: B
- Bearing: Maintenance-free ball bearings
- Operation Temperature: -30~+60 C

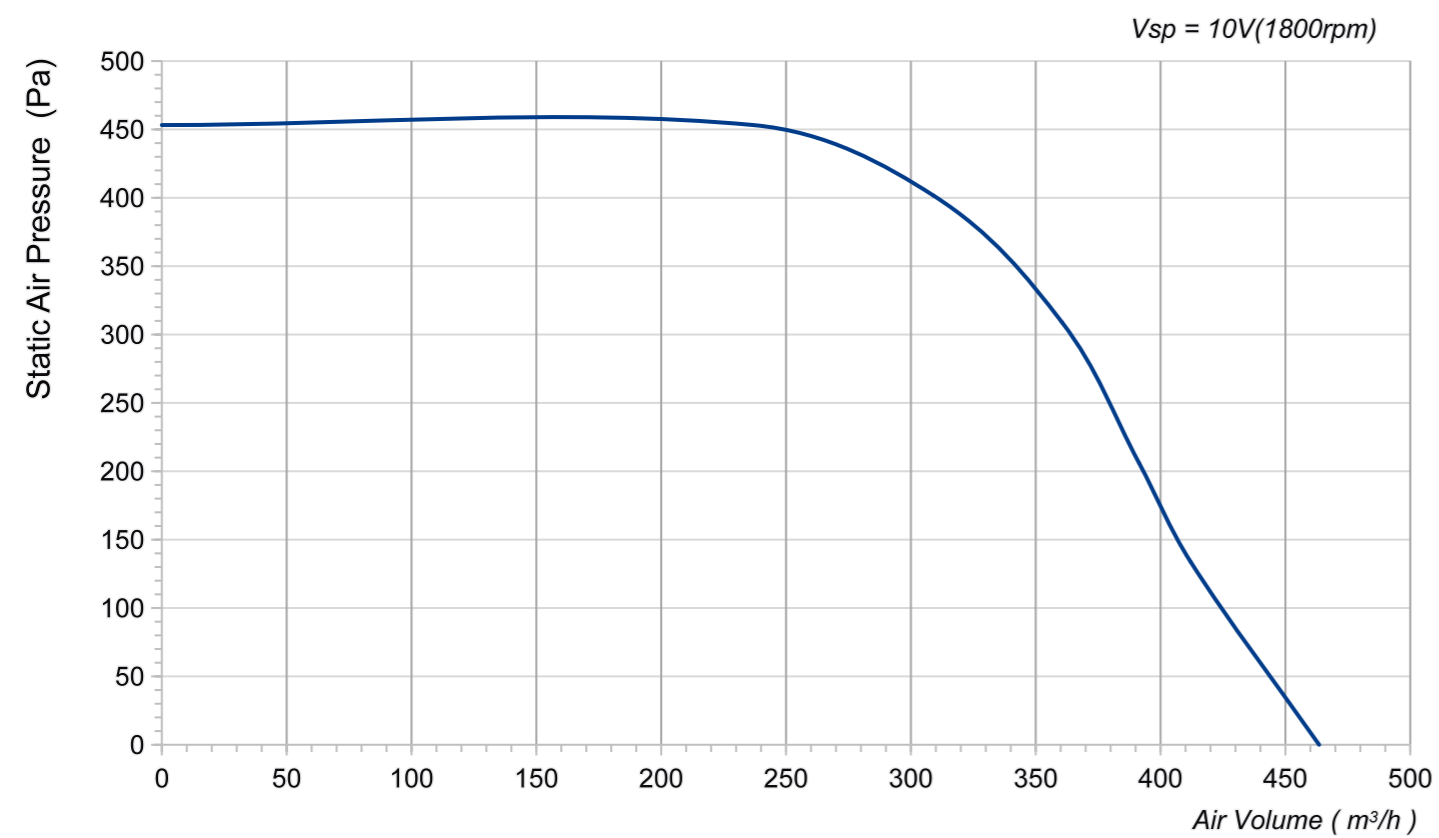
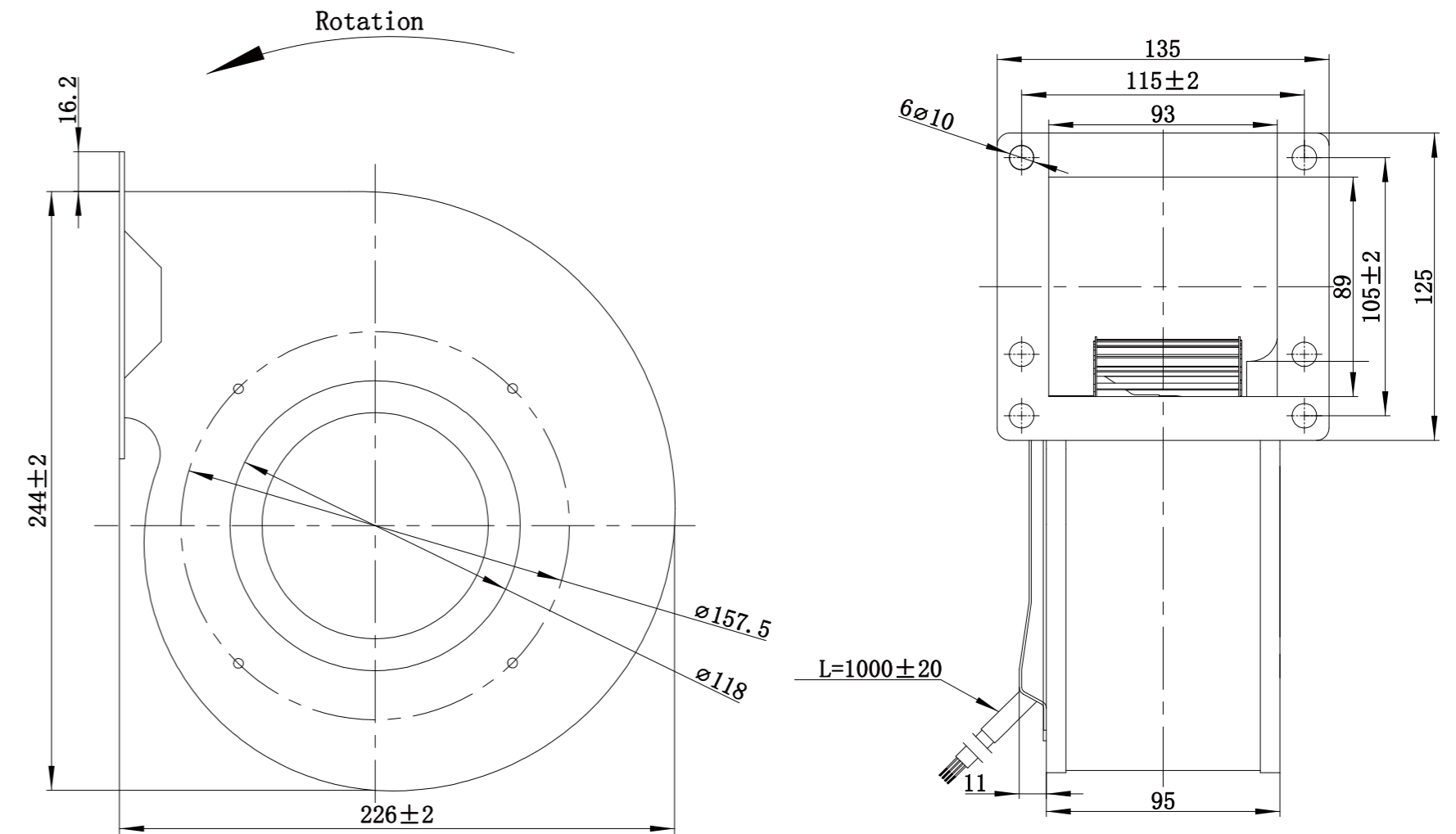


## Technical Specifications

| Model              | Voltage (V) | Power (W) | Current (A) | Speed (RPM) | Air Flow (m³/h) | Air Pressure (Pa) | Noise [dB(A)] | Curve |
|--------------------|-------------|-----------|-------------|-------------|-----------------|-------------------|---------------|-------|
| LWFD3G140-072SZ-02 | 310         | 80        | 0.26        | 1800        | 464             | 453               | 71            | /     |



## Product Drawing (mm)



# LWFD-160 Series

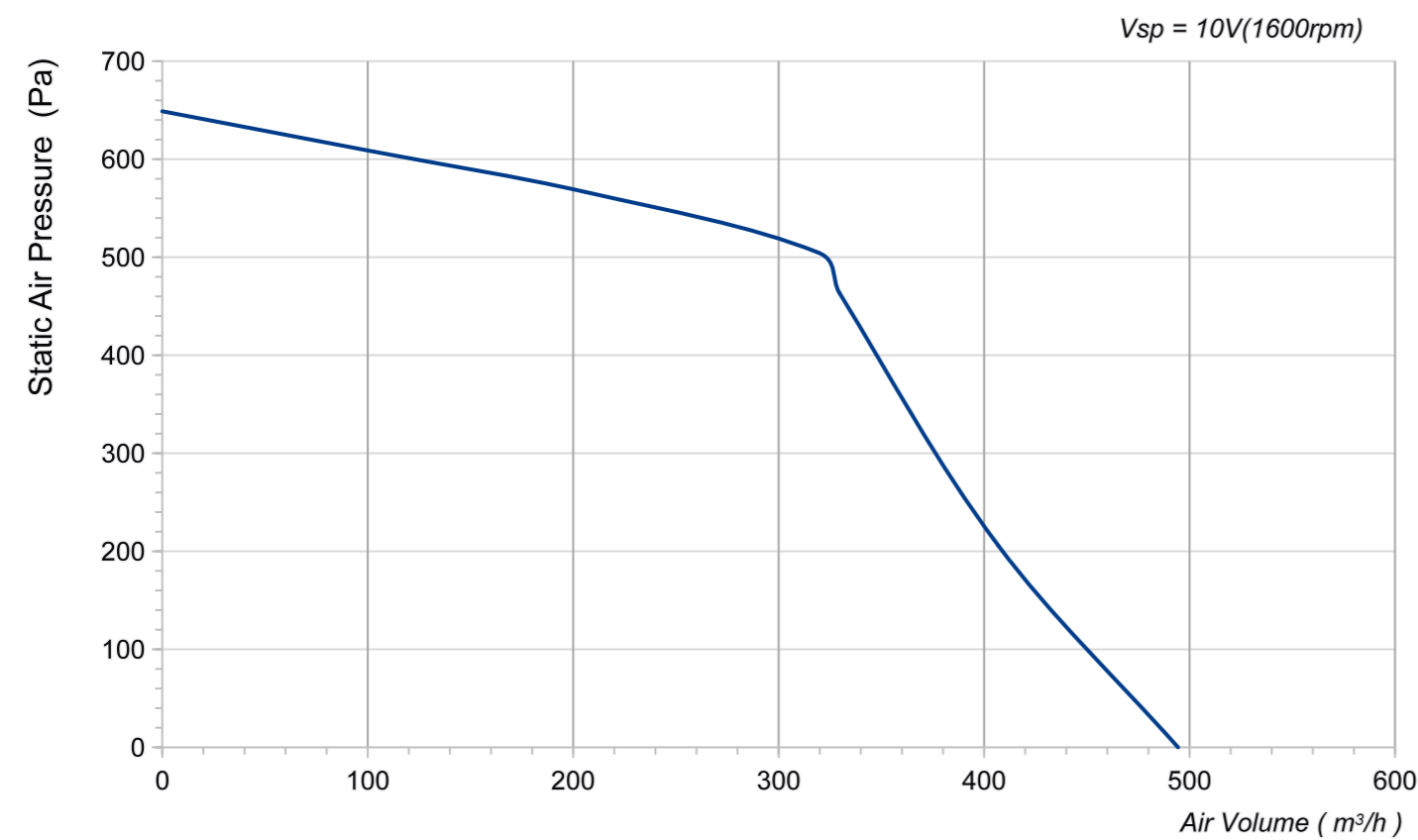
## Product Characteristic

- Material : Plastics PA66
- Mode of operation: S1
- Type of operation: IP54
- Insulation class: B
- Bearing: Maintenance-free ball bearings
- Operation Temperature: -30~+60 C

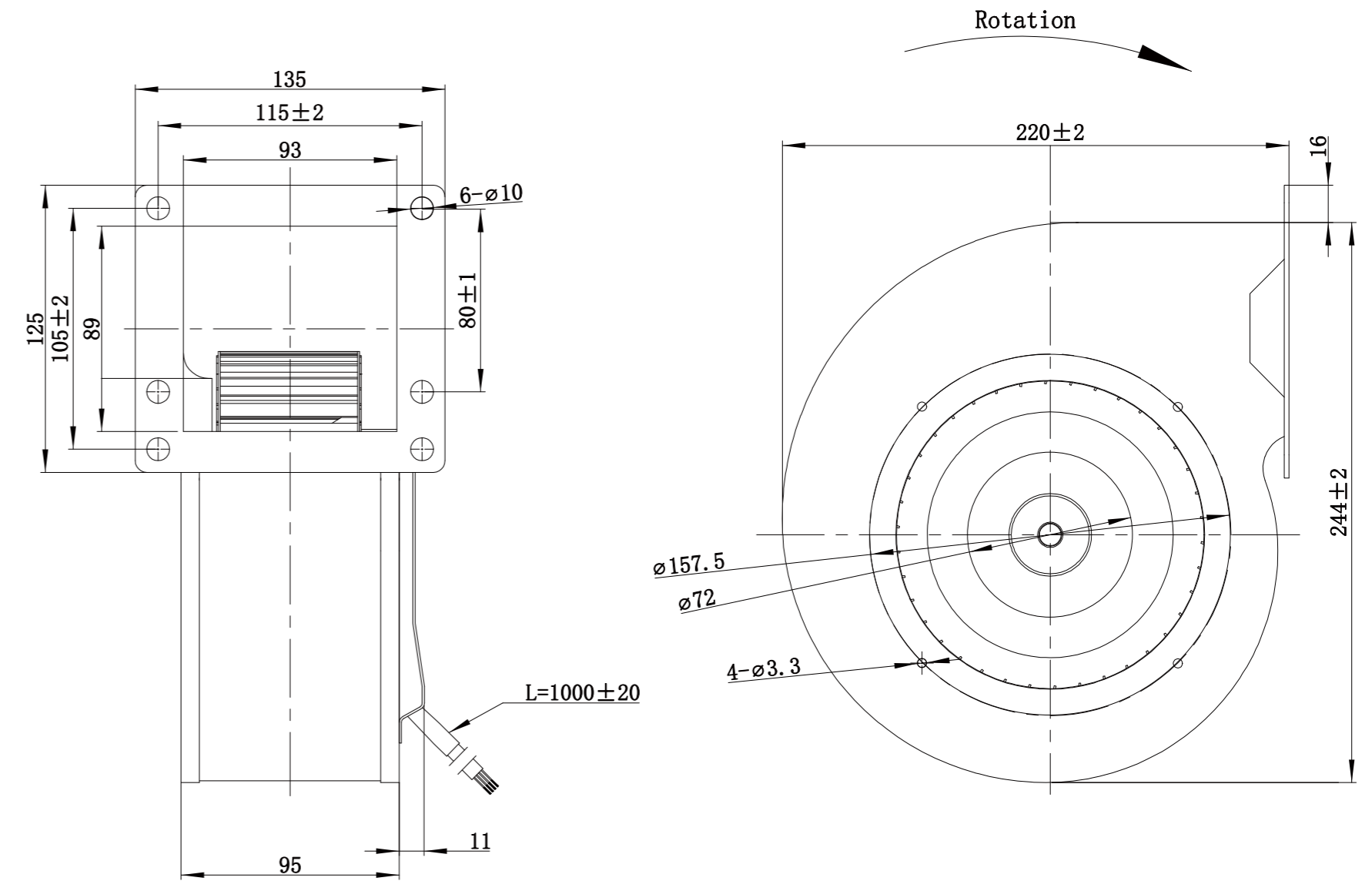


## Technical Specifications

| Model              | Voltage (V) | Power (W) | Current (A) | Speed (RPM) | Air Flow (m³/h) | Air Pressure (Pa) | Noise [dB(A)] | Curve |
|--------------------|-------------|-----------|-------------|-------------|-----------------|-------------------|---------------|-------|
| LWFD3G160-072SZ-01 | 310         | 80        | 0.26        | 1600        | 494             | 649               | 61            | /     |



## Product Drawing (mm)



# LWFD-150 Series

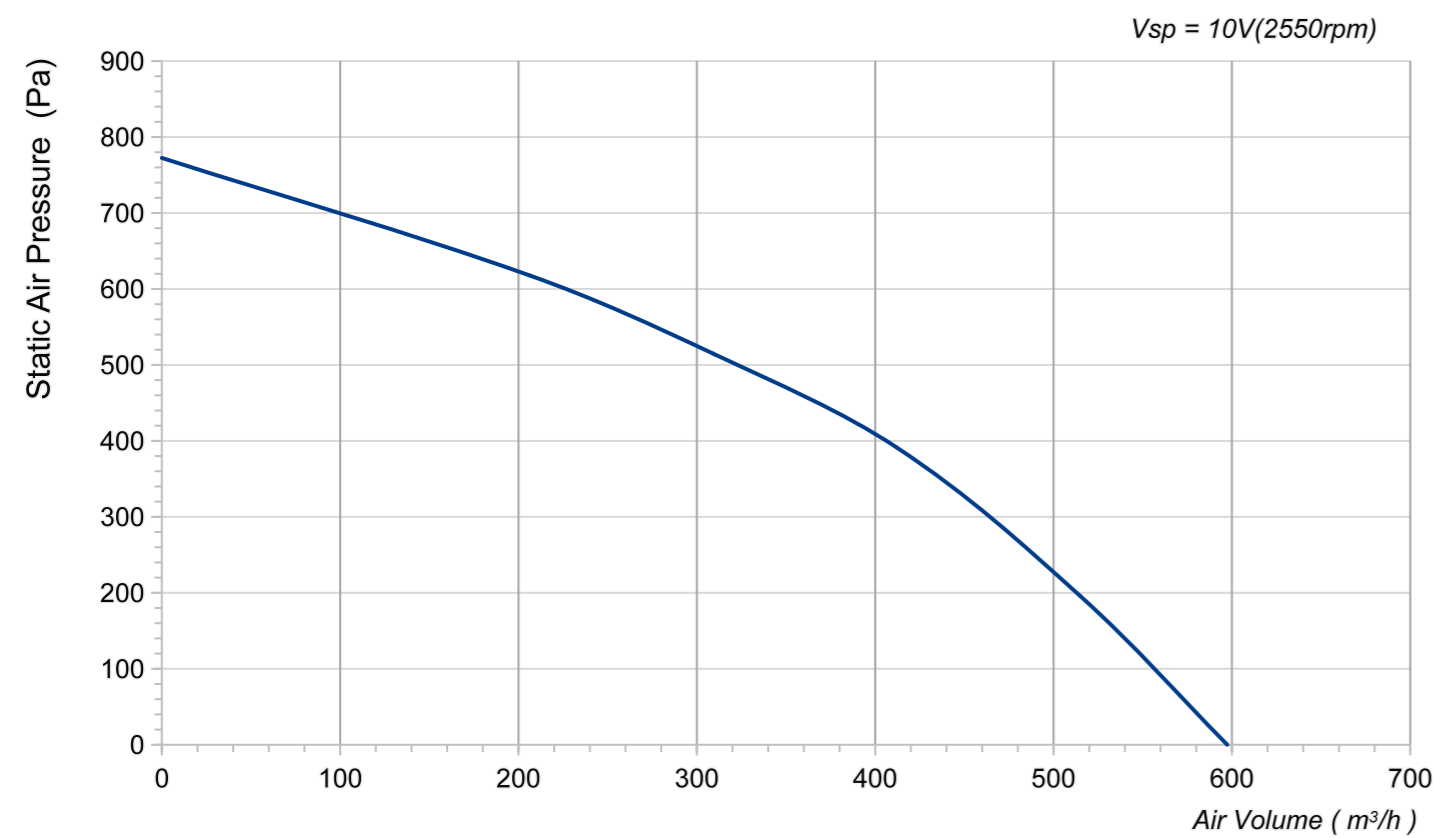
## Product Characteristic

- Material : Plastics PA66
- Mode of operation: S1
- Type of operation: IP54
- Insulation class: B
- Bearing: Maintenance-free ball bearings
- Operation Temperature: -30~+60 C

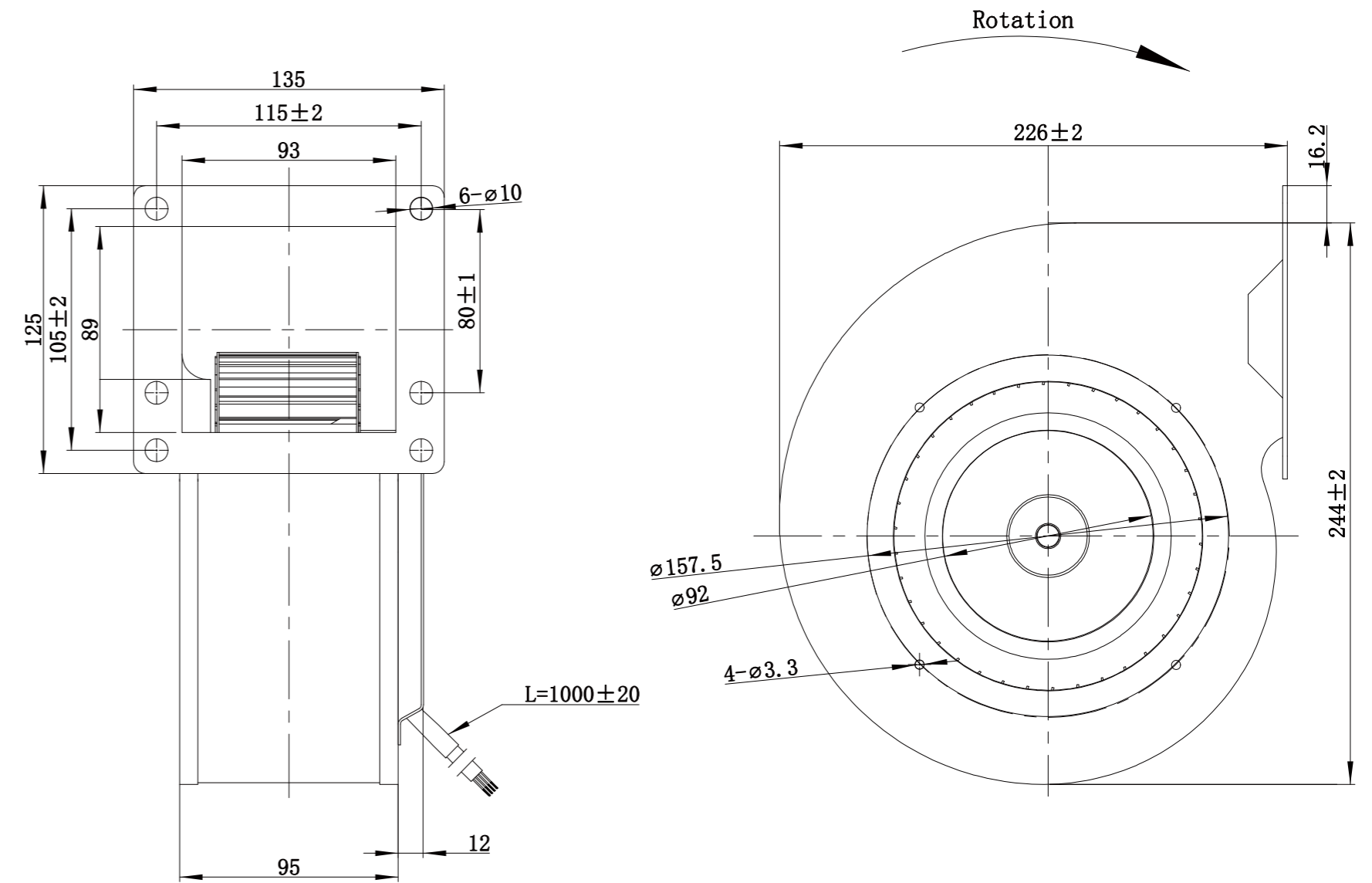


## Technical Specifications

| Model              | Voltage (V) | Power (W) | Current (A) | Speed (RPM) | Air Flow (m³/h) | Air Pressure (Pa) | Noise [dB(A)] | Curve |
|--------------------|-------------|-----------|-------------|-------------|-----------------|-------------------|---------------|-------|
| LWFD3G150-092SZ-01 | 310         | 170       | 0.55        | 2550        | 597             | 773               | 71            | /     |



## Product Drawing (mm)



# LWFD-160 Series

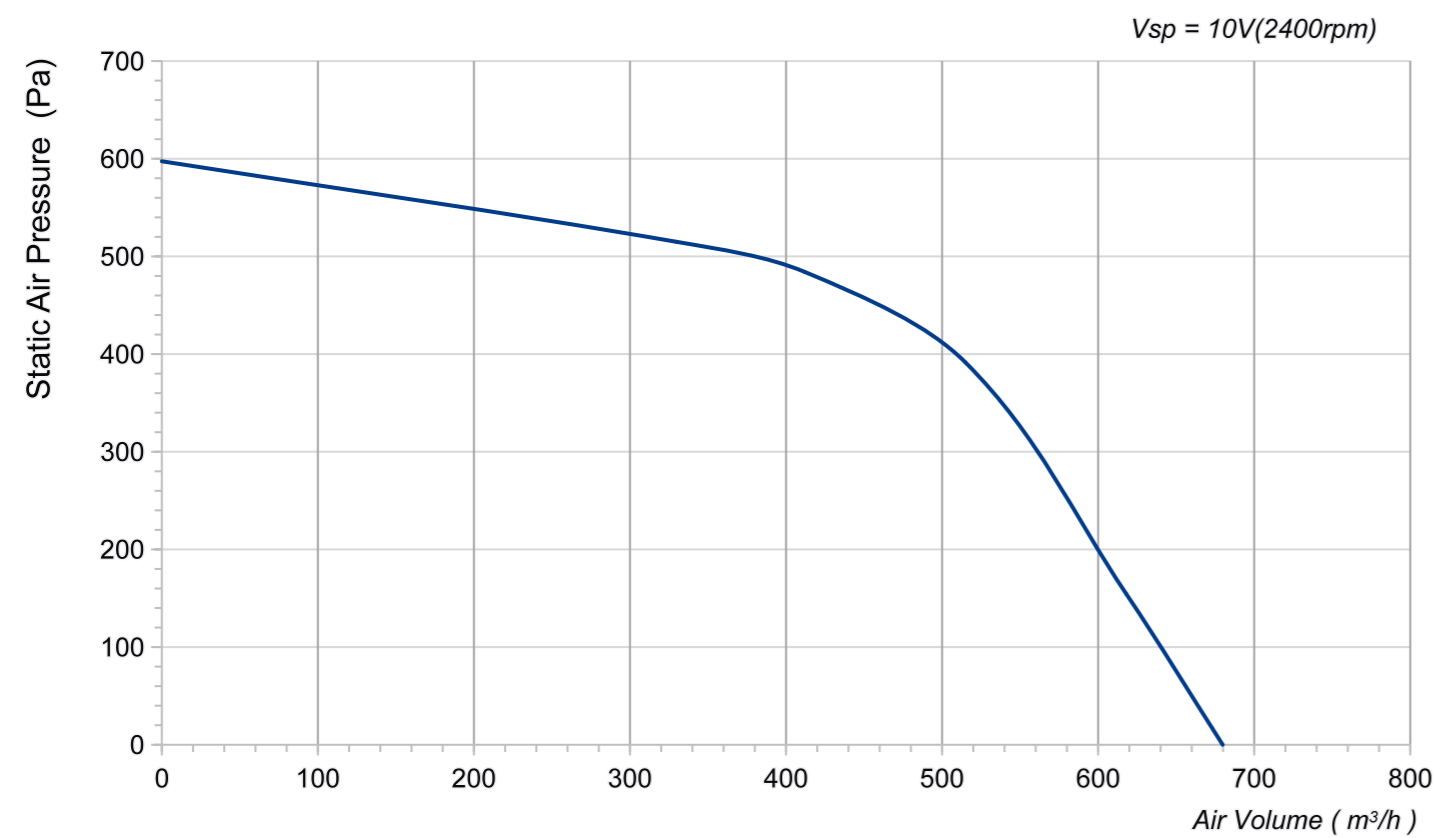
## Product Characteristic

- Material : Plastics PA66
- Mode of operation: S1
- Type of operation: IP54
- Insulation class: B
- Bearing: Maintenance-free ball bearings
- Operation Temperature: -30~+60 C

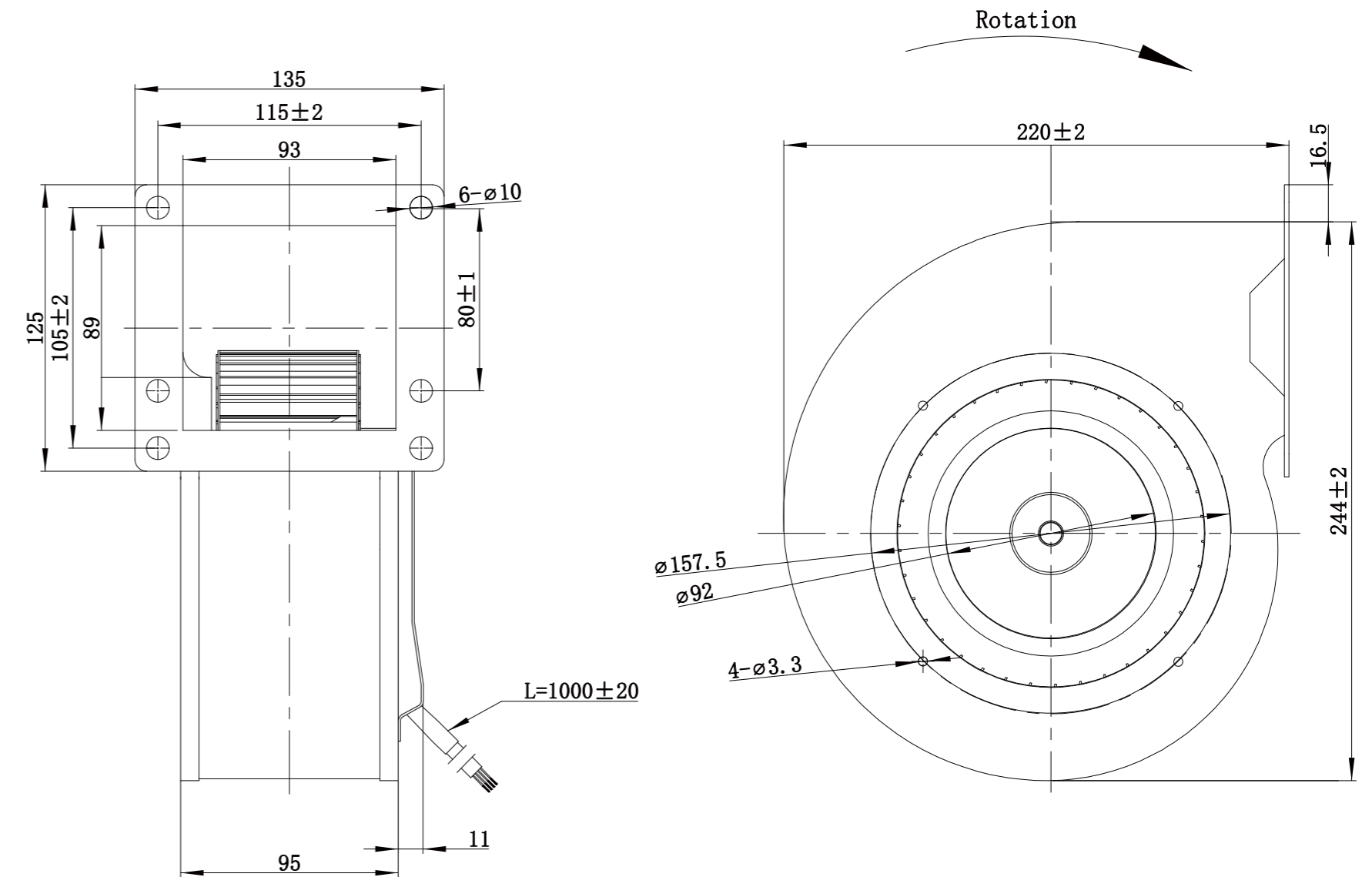


## Technical Specifications

| Model              | Voltage (V) | Power (W) | Current (A) | Speed (RPM) | Air Flow (m³/h) | Air Pressure (Pa) | Noise [dB(A)] | Curve |
|--------------------|-------------|-----------|-------------|-------------|-----------------|-------------------|---------------|-------|
| LWFD3G160-092SZ-01 | 310         | 220       | 0.71        | 2400        | 680             | 597               | 66            | /     |



## Product Drawing (mm)



# LWFD-160 Series

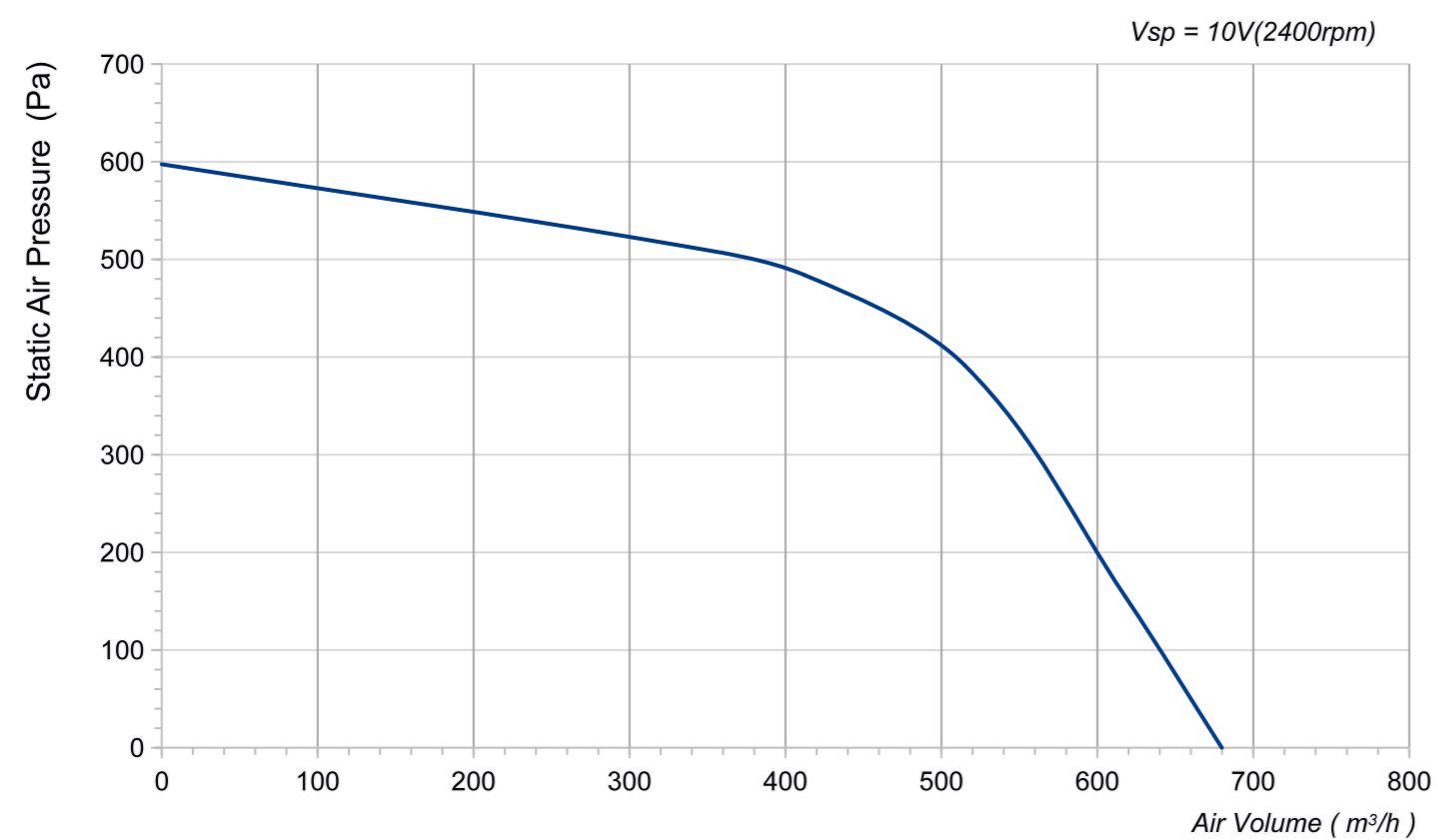
## Product Characteristic

- Material : Plastics PA66
- Mode of operation: S1
- Type of operation: IP54
- Insulation class: B
- Bearing: Maintenance-free ball bearings
- Operation Temperature: -30~+60 C

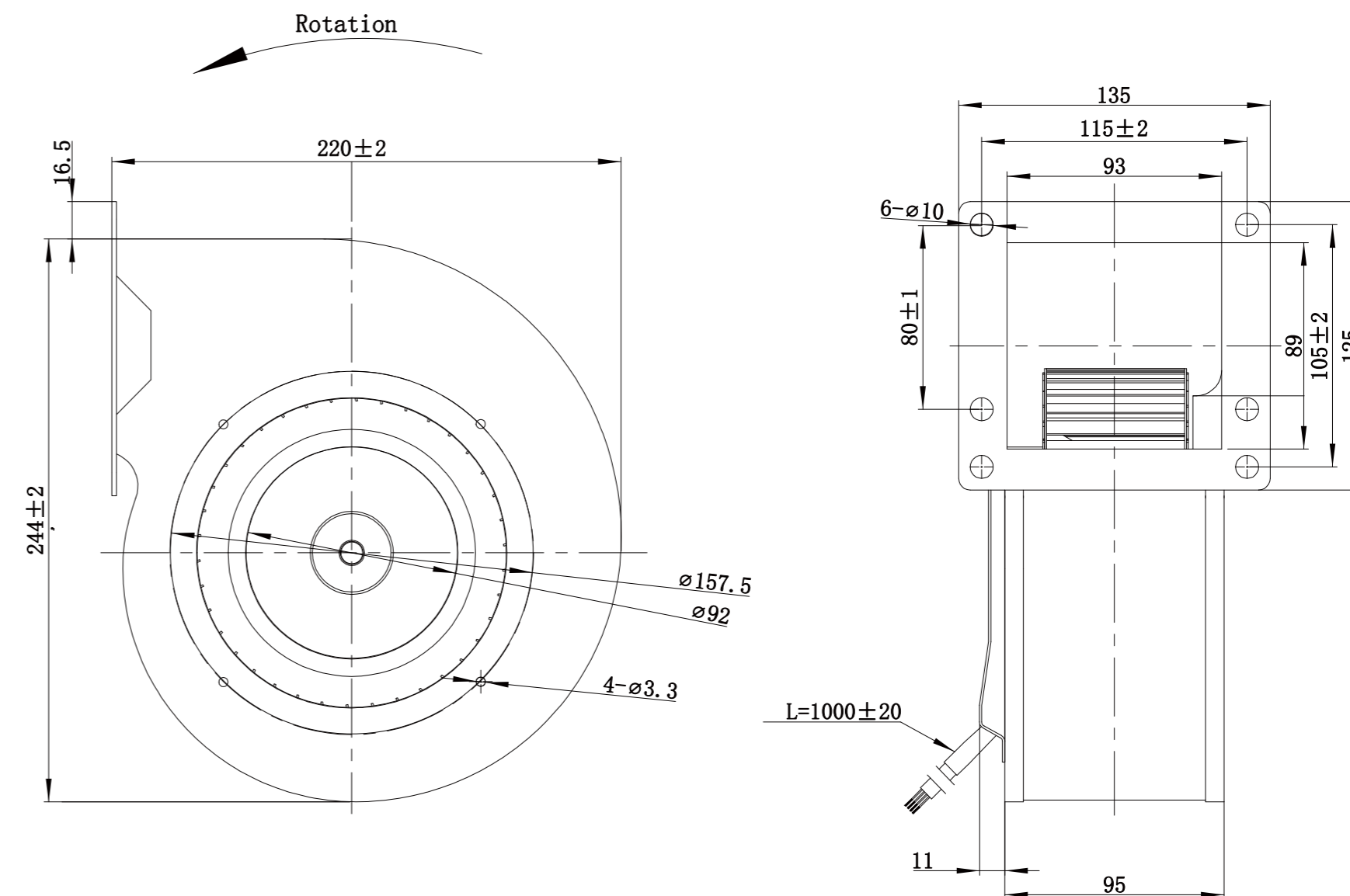


## Technical Specifications

| Model              | Voltage (V) | Power (W) | Current (A) | Speed (RPM) | Air Flow (m³/h) | Air Pressure (Pa) | Noise [dB(A)] | Curve |
|--------------------|-------------|-----------|-------------|-------------|-----------------|-------------------|---------------|-------|
| LWFD3G160-092SZ-02 | 310         | 220       | 0.71        | 2400        | 680             | 597               | 66            | /     |



## Product Drawing (mm)



# LWFD-180 Series

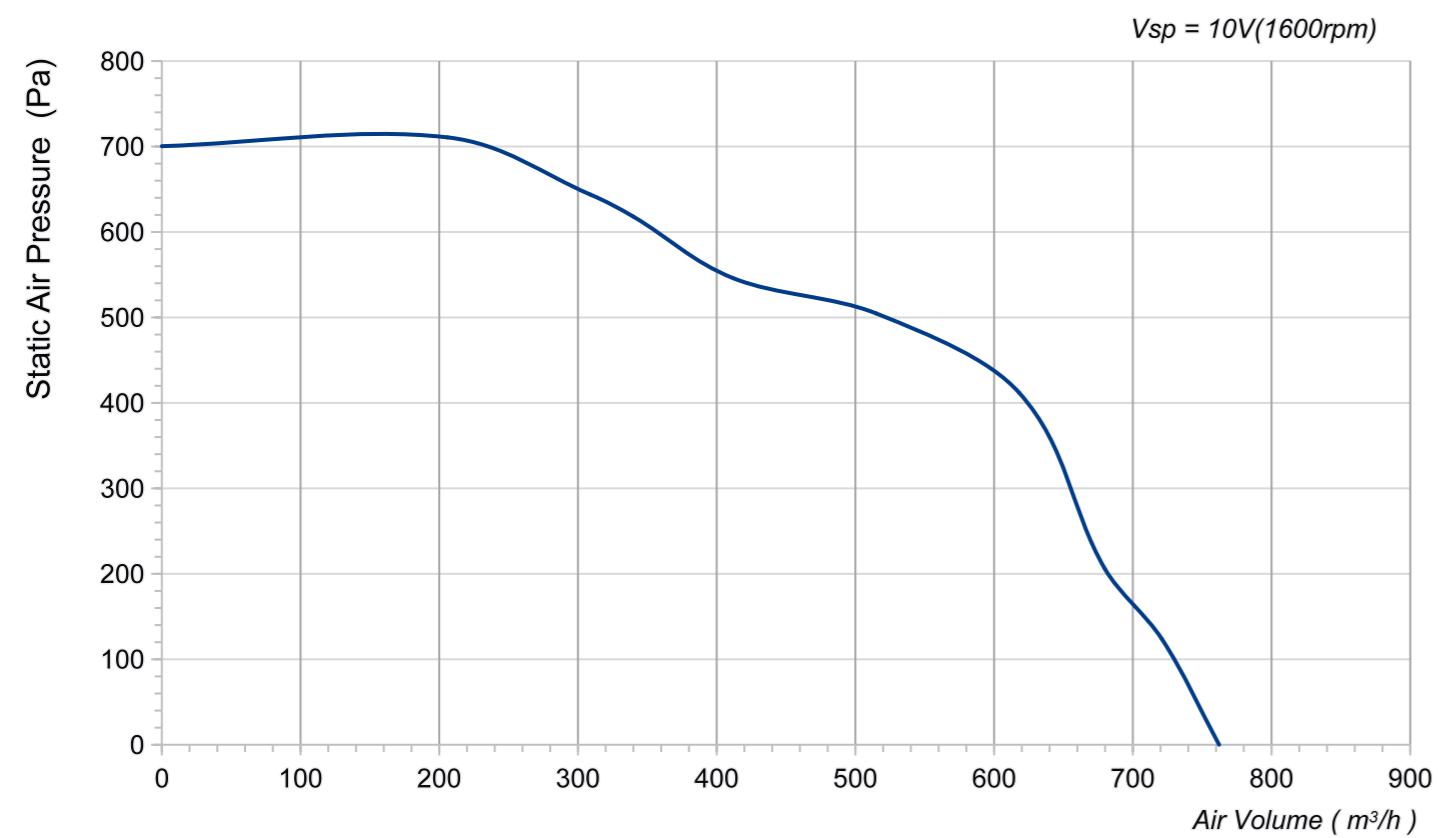
## Product Characteristic

- Material : Plastics PA66
- Mode of operation: S1
- Type of operation: IP54
- Insulation class: B
- Bearing: Maintenance-free ball bearings
- Operation Temperature: -30~+60 C

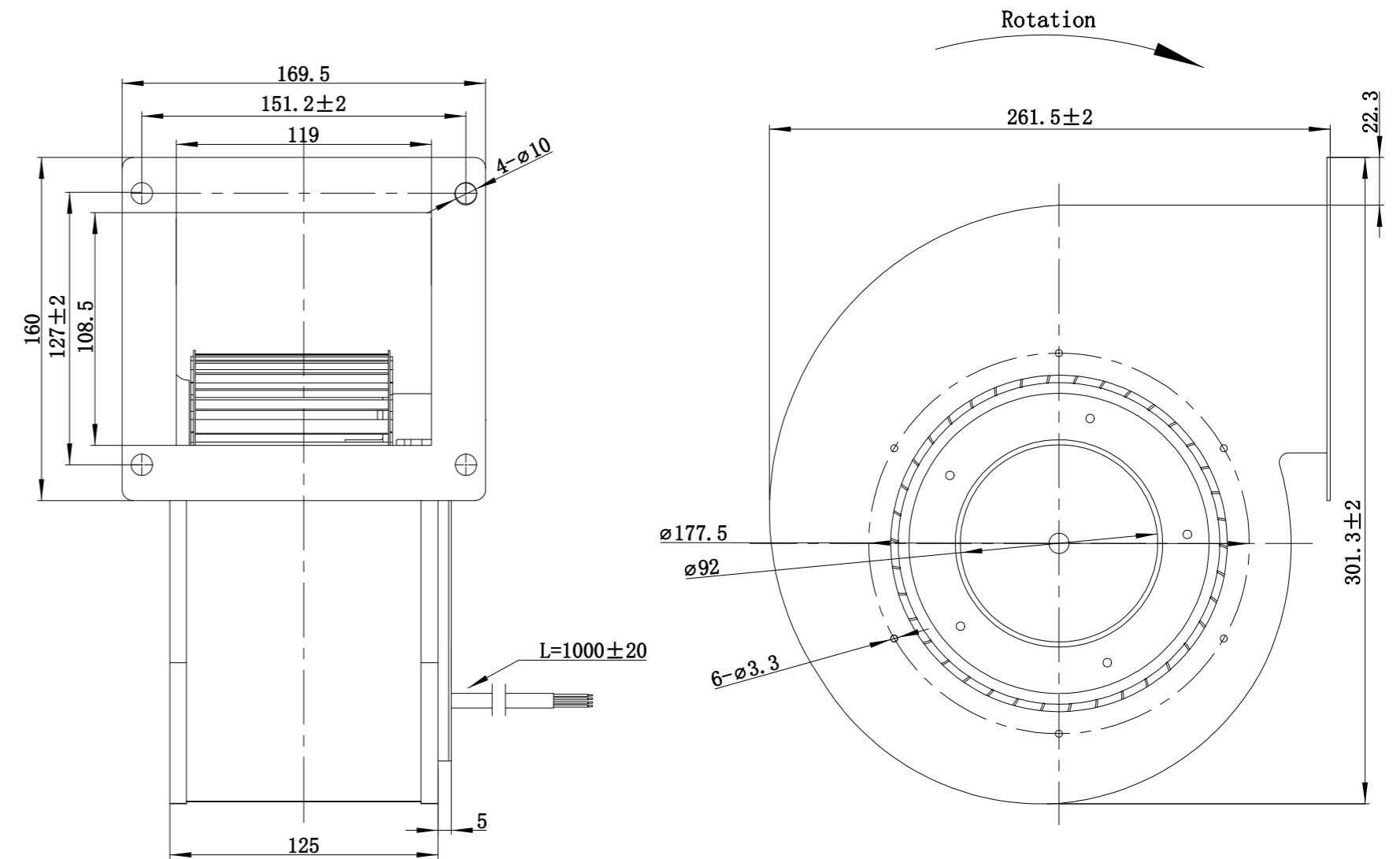


## Technical Specifications

| Model              | Voltage (V) | Power (W) | Current (A) | Speed (RPM) | Air Flow (m³/h) | Air Pressure (Pa) | Noise [dB(A)] | Curve |
|--------------------|-------------|-----------|-------------|-------------|-----------------|-------------------|---------------|-------|
| LWFD3G180-092SZ-01 | 310         | 180       | 0.58        | 1600        | 762             | 700               | 65            | /     |



## Product Drawing (mm)



# *AC Dual Inlet Forward Centrifugal Fans*

- Permanent magnet materials
- Chip stereoscopic heat dissipation
- Advanced 3D design impeller
- Oblique magnetization technology
- External rotor motor design
- IP54 Water-proof design



# LWFA-120 Series

## Product Characteristic

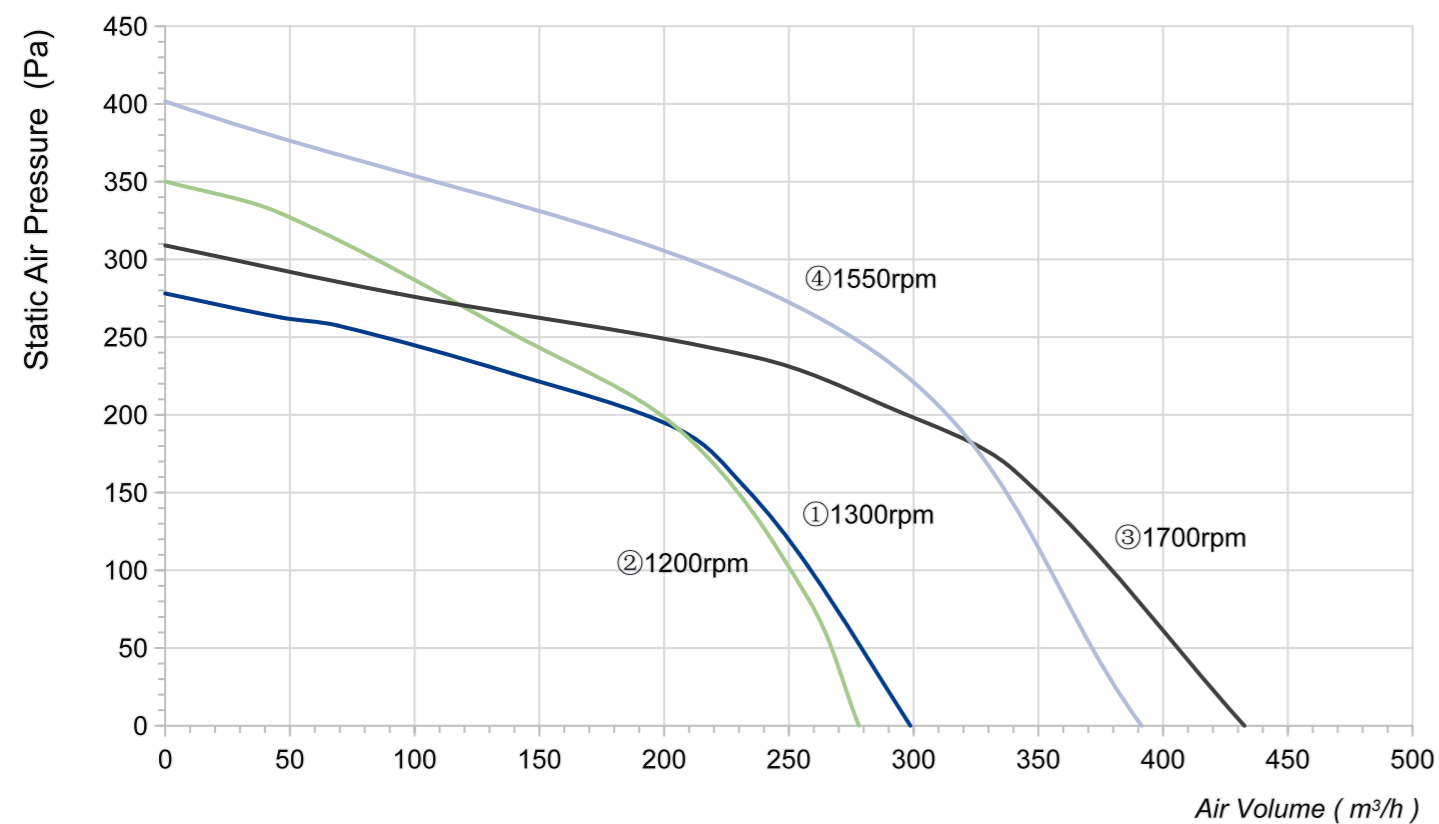
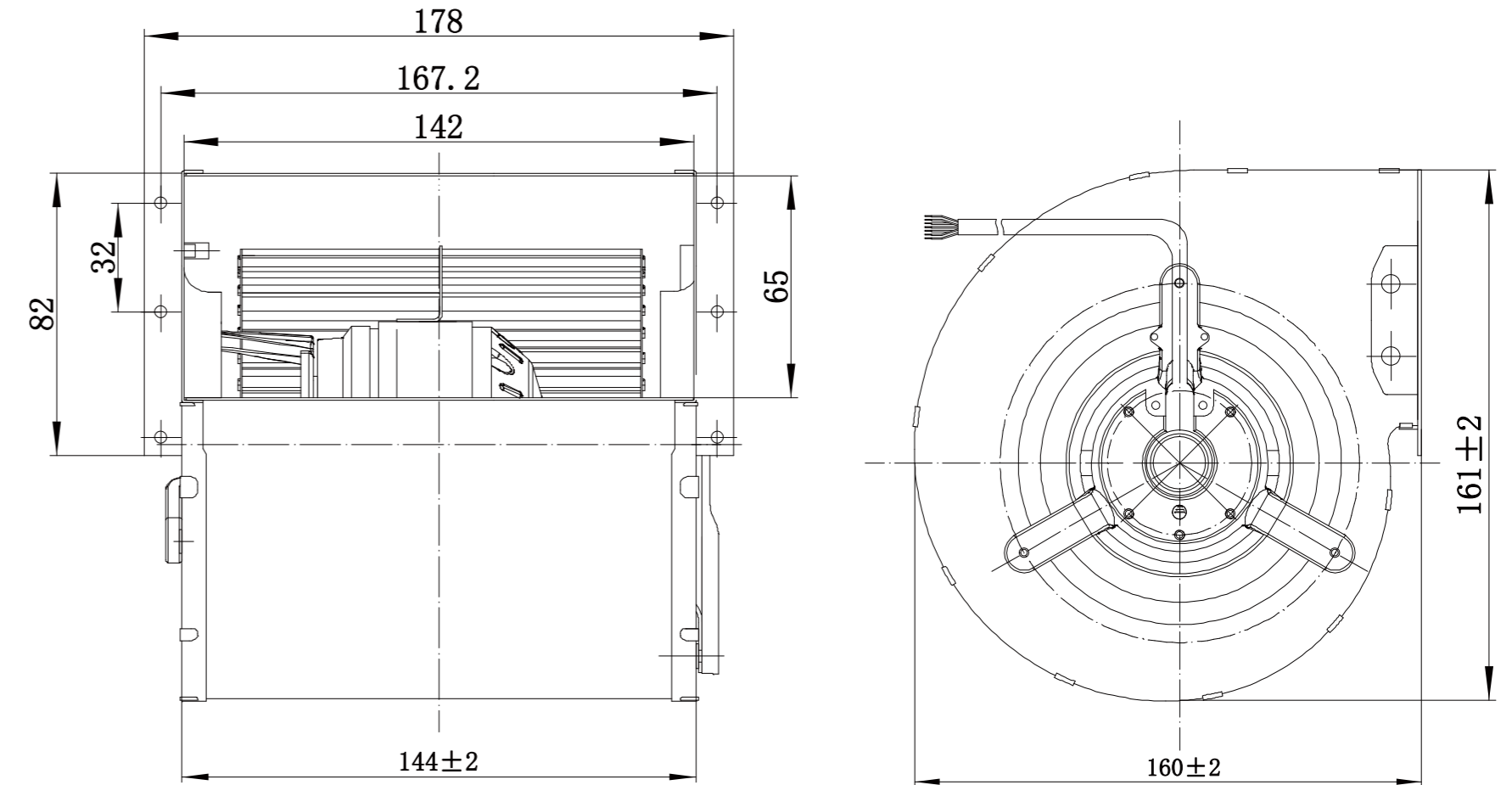
- Material : Metal
- Mode of operation: S1
- Type of operation: IP54
- Insulation class: F
- Bearing: Maintenance-free ball bearings
- Operation Temperature: -30~+60 C



## Technical Specifications

| Model              | Voltage (V) | Frequency (Hz) | Power (W) | Current (A) | Speed (RPM) | Air Flow (m³/h) | Air Pressure (Pa) | Noise [dB(A)] | Capacitor | Curve |
|--------------------|-------------|----------------|-----------|-------------|-------------|-----------------|-------------------|---------------|-----------|-------|
| LWFA2E120-092DS-01 | 230         | 50             | 65        | 0.3         | 1300        | 299             | 278               | 54            | 2uF       | ①     |
| LWFA2E120-092DS-02 | 230         | 60             | 71        | 0.33        | 1200        | 278             | 350               | 54            | 2uF       | ②     |
| LWFA2E120-092DS-03 | 230         | 50             | 105       | 0.47        | 1700        | 433             | 309               | 60            | 2uF       | ③     |
| LWFA2E120-092DS-04 | 230         | 60             | 116       | 0.52        | 1550        | 391             | 402               | 60            | 2uF       | ④     |

## Product Drawing (mm)



# LWFA-120 Series

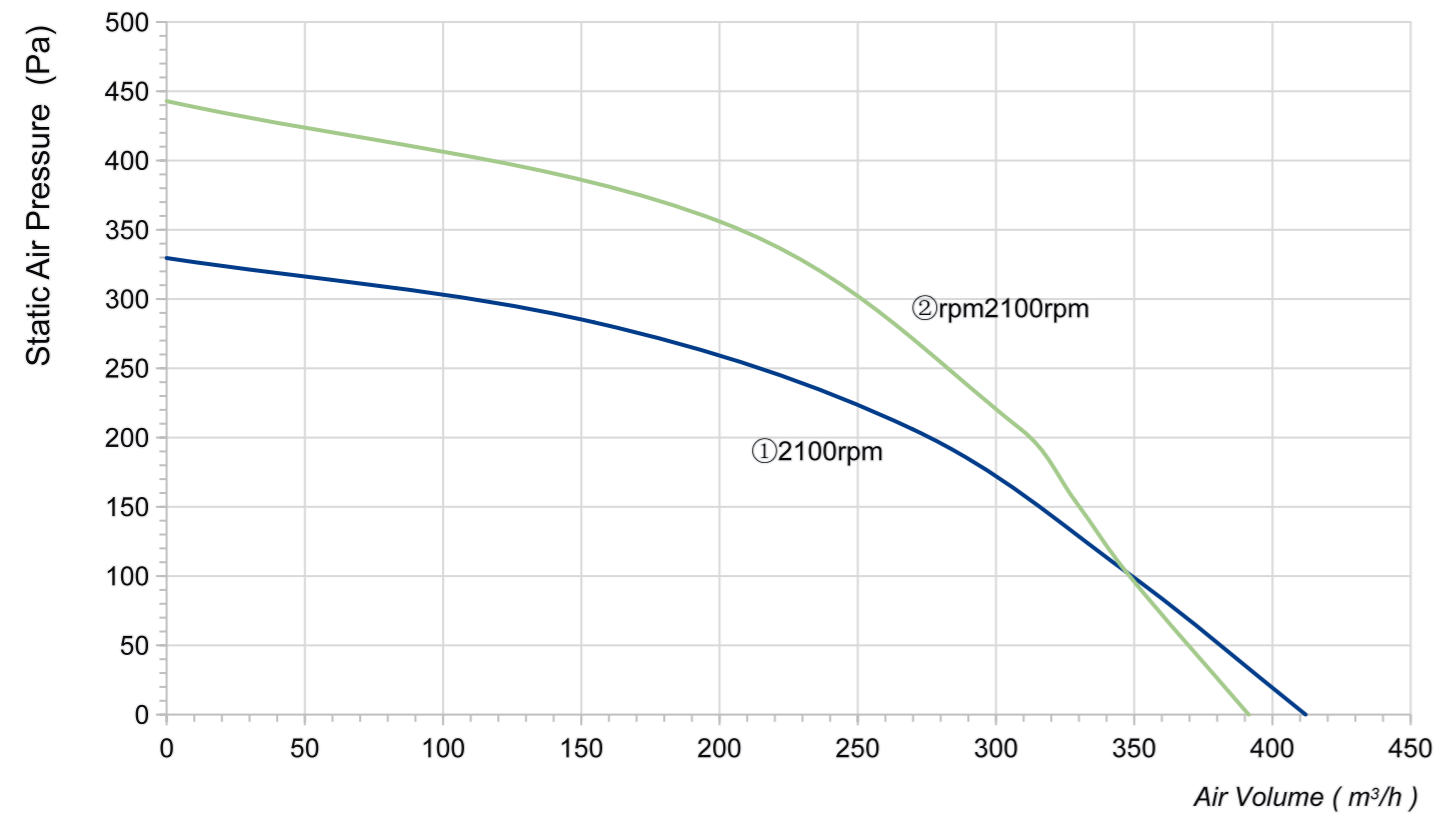
## Product Characteristic

- Material : Metal
- Mode of operation: S1
- Type of operation: IP54
- Insulation class: F
- Bearing: Maintenance-free ball bearings
- Operation Temperature: -30~+60 C

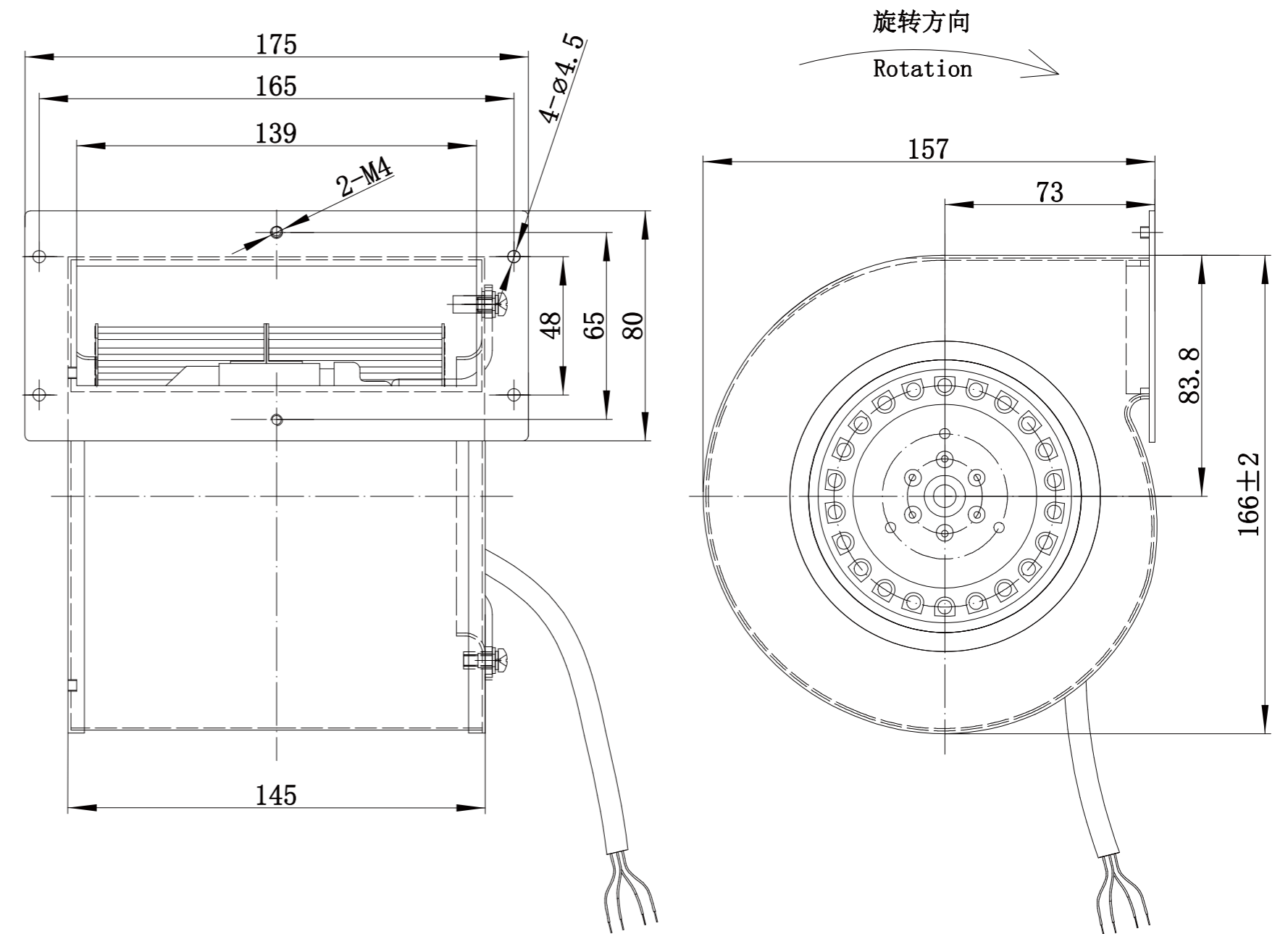


## Technical Specifications

| Model              | Voltage (V) | Frequency (Hz) | Power (W) | Current (A) | Speed (RPM) | Air Flow (m³/h) | Air Pressure (Pa) | Noise [dB(A)] | Capacitor | Curve |
|--------------------|-------------|----------------|-----------|-------------|-------------|-----------------|-------------------|---------------|-----------|-------|
| LWFA2E120-092DS-05 | 230         | 50             | 85        | 0.4         | 2100        | 412             | 330               | 66            | 1.5uF     | ①     |
| LWFA2E120-092DS-06 | 230         | 60             | 95        | 0.43        | 2100        | 391             | 443               | 66            | 1.5uF     | ②     |



## Product Drawing (mm)



# LWFA-133 Series

## Product Characteristic

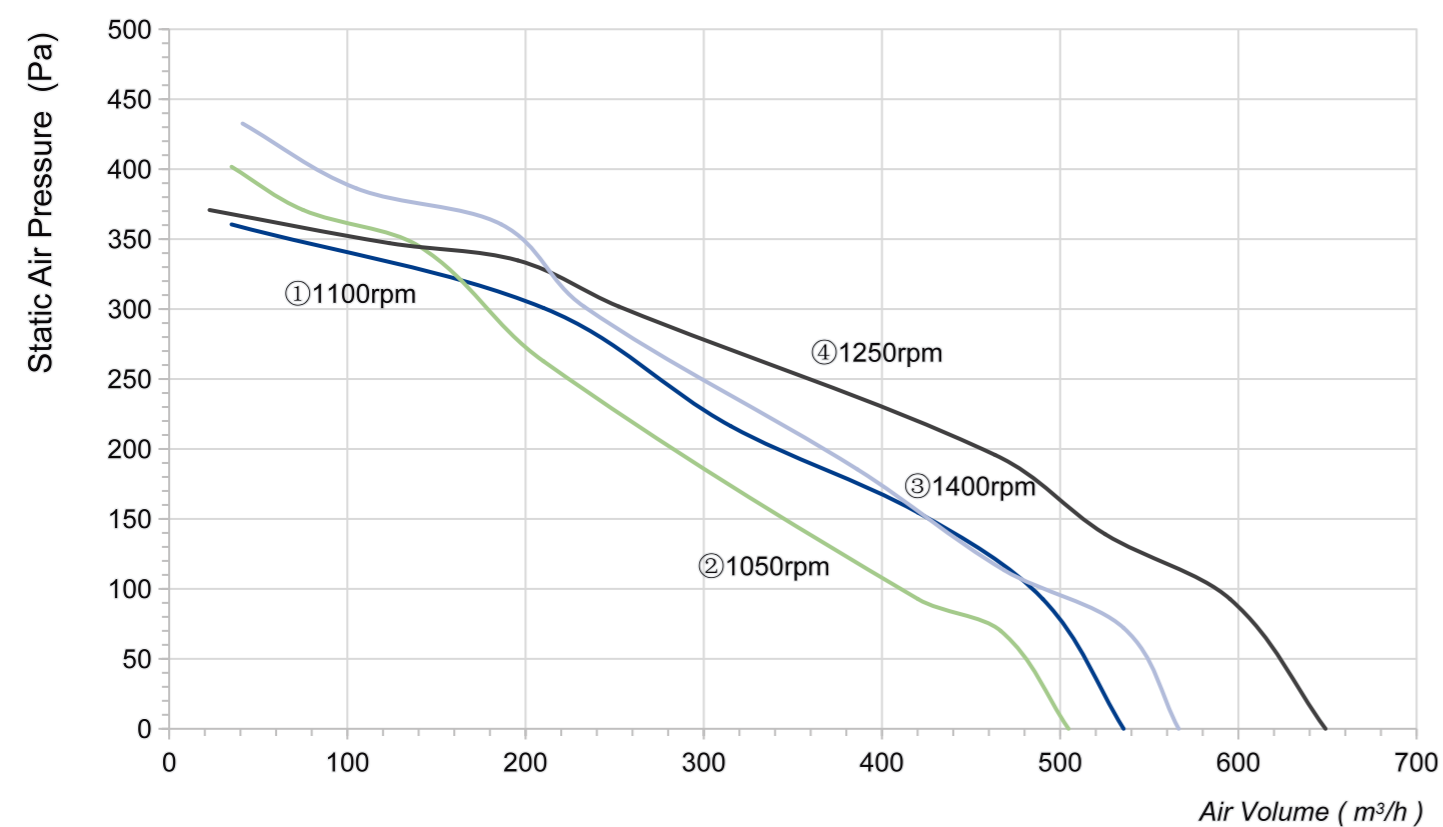
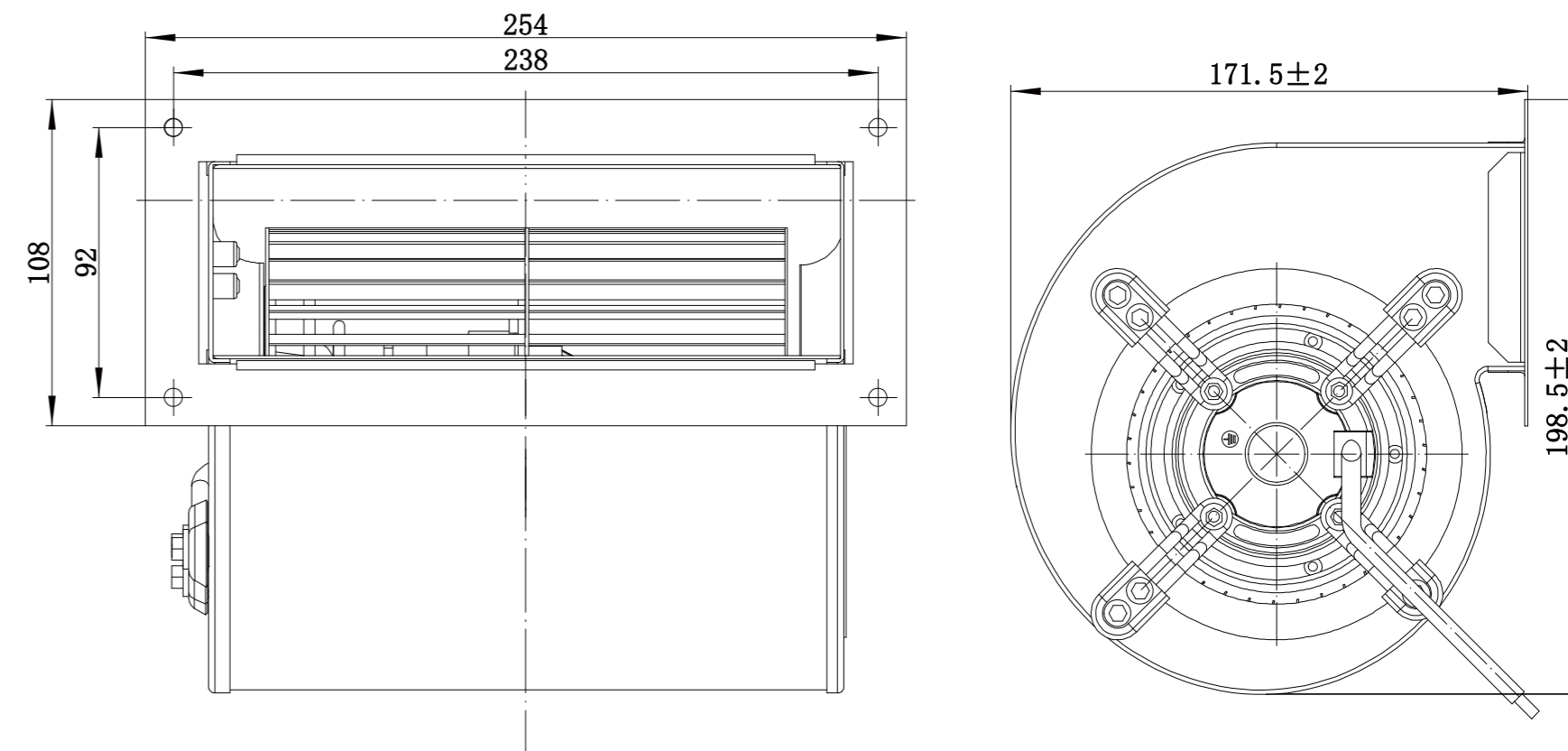
- Material : Metal
- Mode of operation: S1
- Type of operation: IP54
- Insulation class: F
- Bearing: Maintenance-free ball bearings
- Operation Temperature: -30~+60 C



## Technical Specifications

| Model              | Voltage (V) | Frequency (Hz) | Power (W) | Current (A) | Speed (RPM) | Air Flow (m³/h) | Air Pressure (Pa) | Noise [dB(A)] | Capacitor | Curve |
|--------------------|-------------|----------------|-----------|-------------|-------------|-----------------|-------------------|---------------|-----------|-------|
| LWFA2E133-092DS-01 | 230         | 50             | 130       | 0.6         | 1100        | 536             | 361               | 60            | 3uF       | ①     |
| LWFA2E133-092DS-02 | 230         | 60             | 135       | 0.62        | 1050        | 505             | 402               | 60            | 3uF       | ②     |
| LWFA4E133-092DS-03 | 230         | 50             | 180       | 0.8         | 1400        | 649             | 371               | 69            | 4uF       | ③     |
| LWFA4E133-092DS-04 | 230         | 60             | 190       | 0.86        | 1250        | 567             | 433               | 69            | 4uF       | ④     |

## Product Drawing (mm)



# LWFA-133 Series

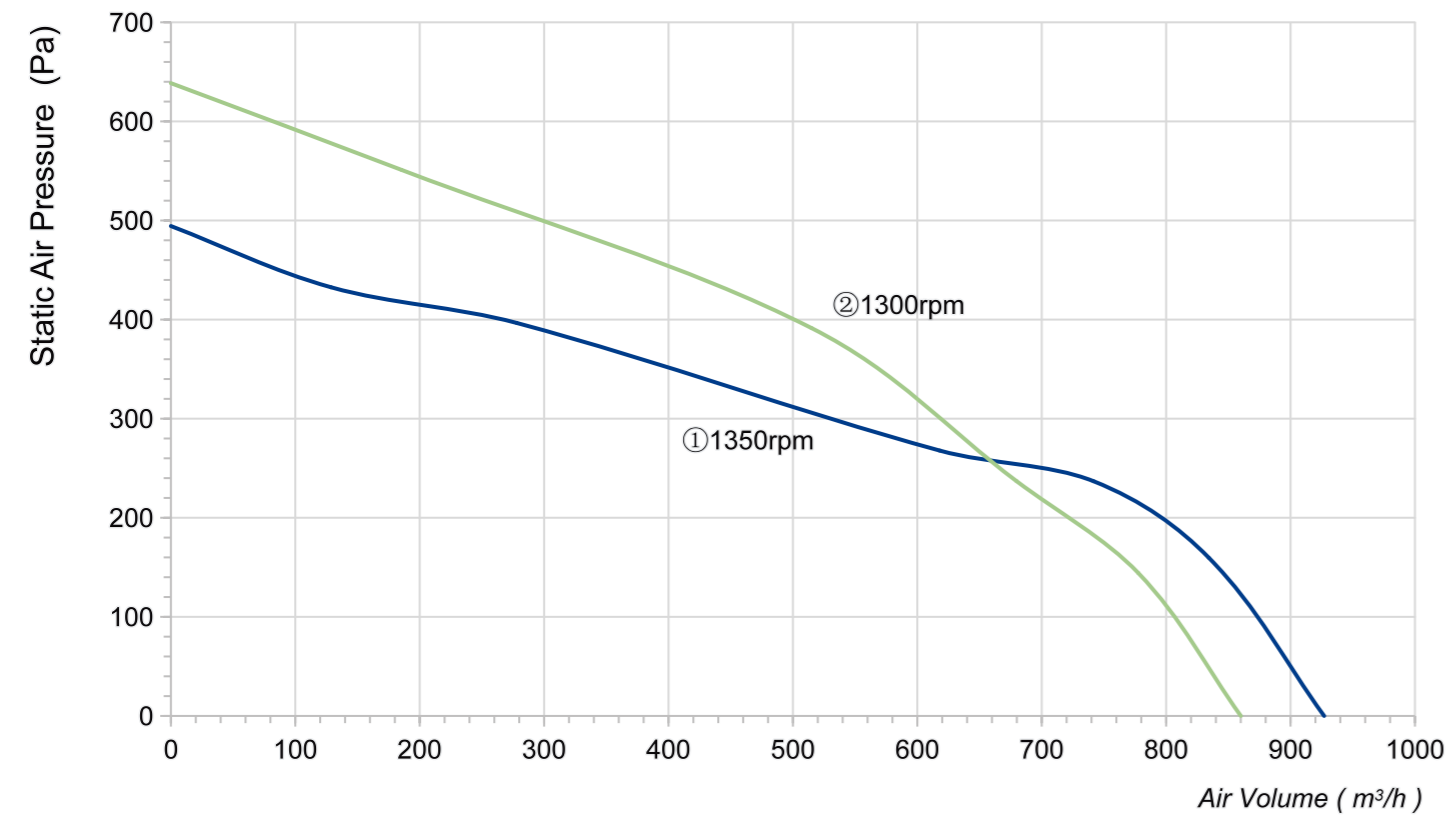
## Product Characteristic

- Material : Metal
- Mode of operation: S1
- Type of operation: IP54
- Insulation class: F
- Bearing: Maintenance-free ball bearings
- Operation Temperature: -30~+60 C

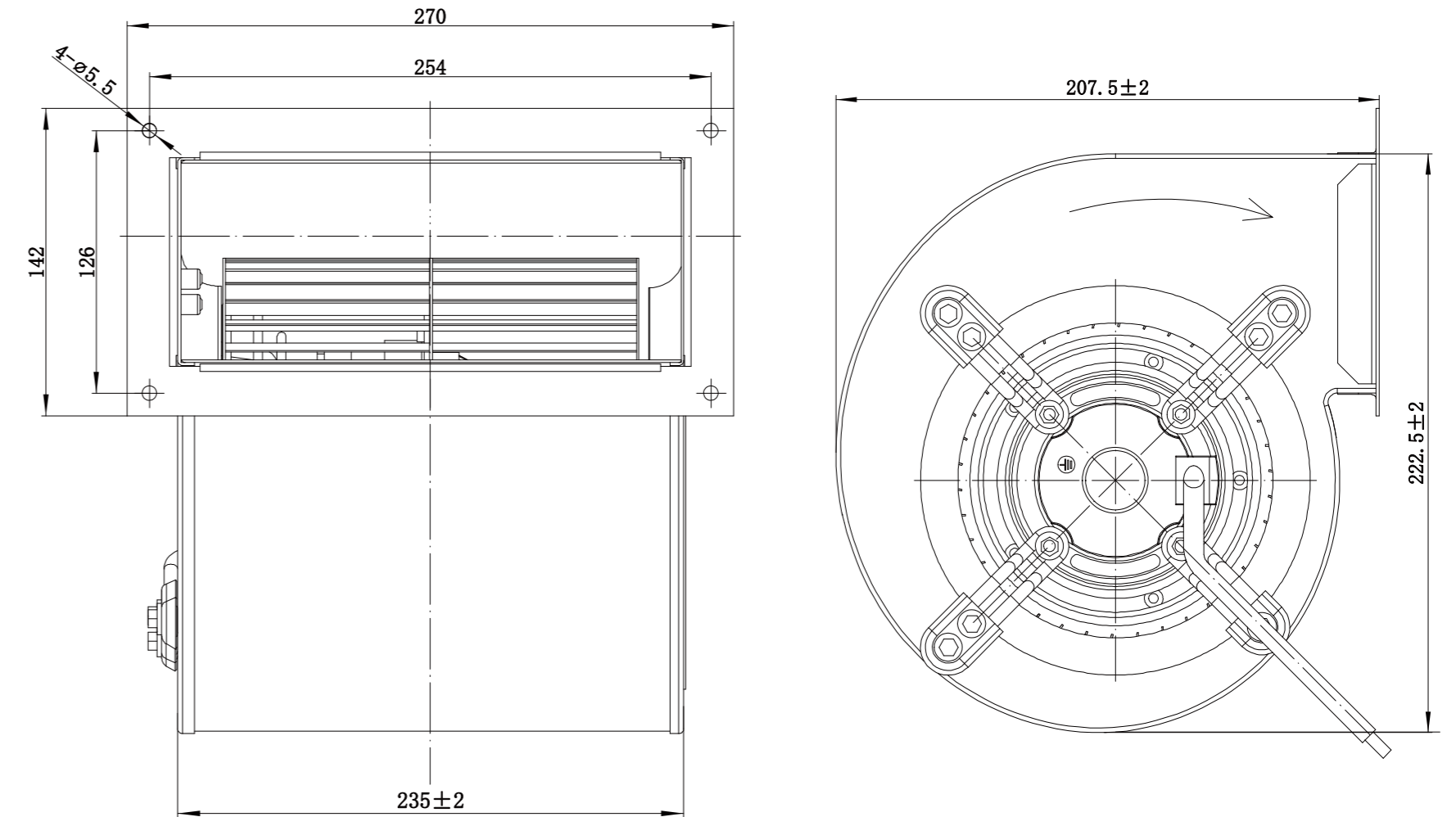


## Technical Specifications

| Model              | Voltage (V) | Frequency (Hz) | Power (W) | Current (A) | Speed (RPM) | Air Flow (m³/h) | Air Pressure (Pa) | Noise [dB(A)] | Capacitor | Curve |
|--------------------|-------------|----------------|-----------|-------------|-------------|-----------------|-------------------|---------------|-----------|-------|
| LWFA2E133-092DS-05 | 230         | 50             | 250       | 1.15        | 1350        | 927             | 494               | 69            | 6uF       | ①     |
| LWFA2E133-092DS-06 | 230         | 60             | 265       | 1.22        | 1300        | 886             | 639               | 69            | 6uF       | ②     |



## Product Drawing (mm)



# LWFA-133 Series

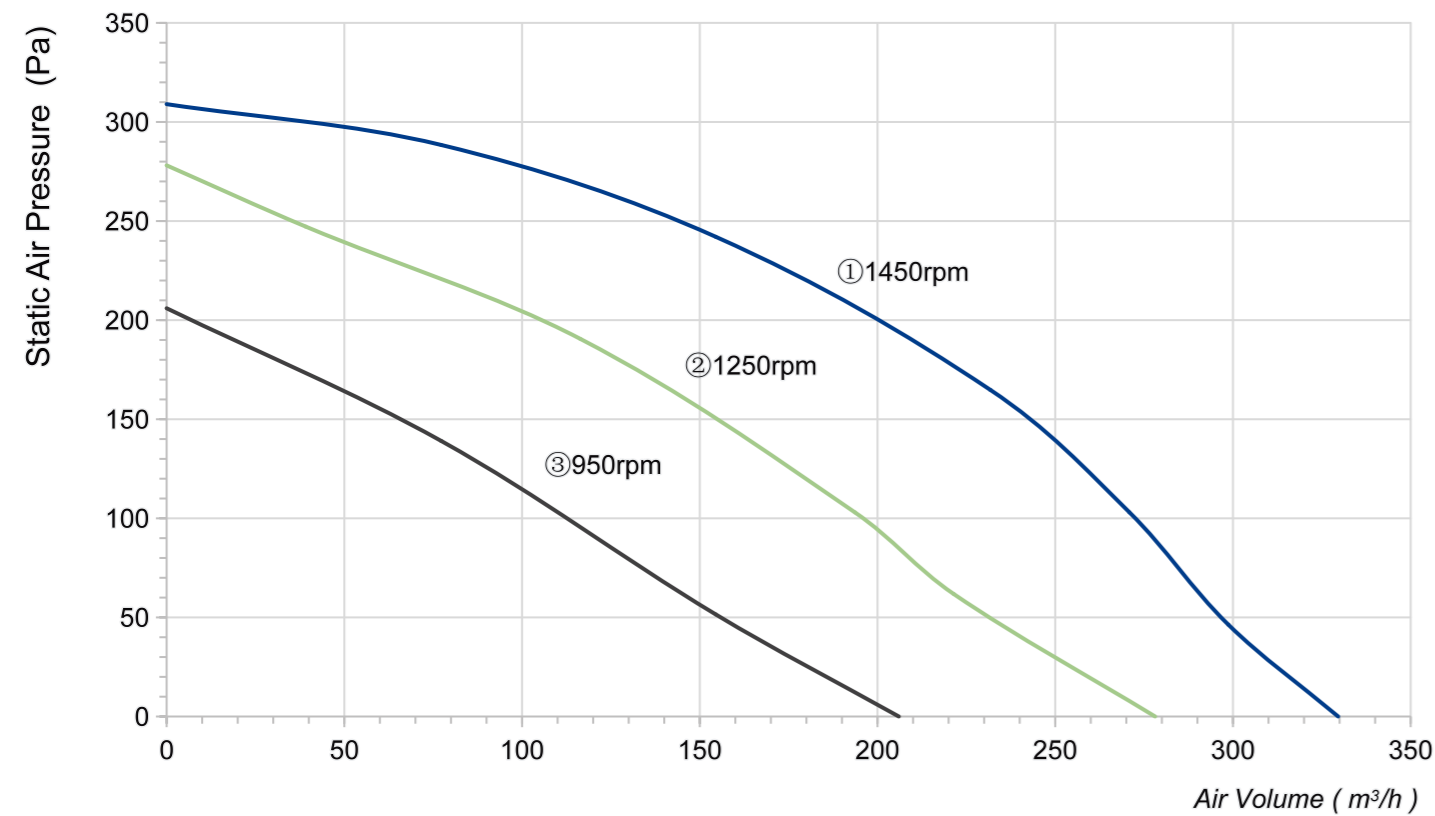
## Product Characteristic

- Material : Metal
- Mode of operation: S1
- Type of operation: IP54
- Insulation class: F
- Bearing: Maintenance-free ball bearings
- Operation Temperature: -30~+60 C

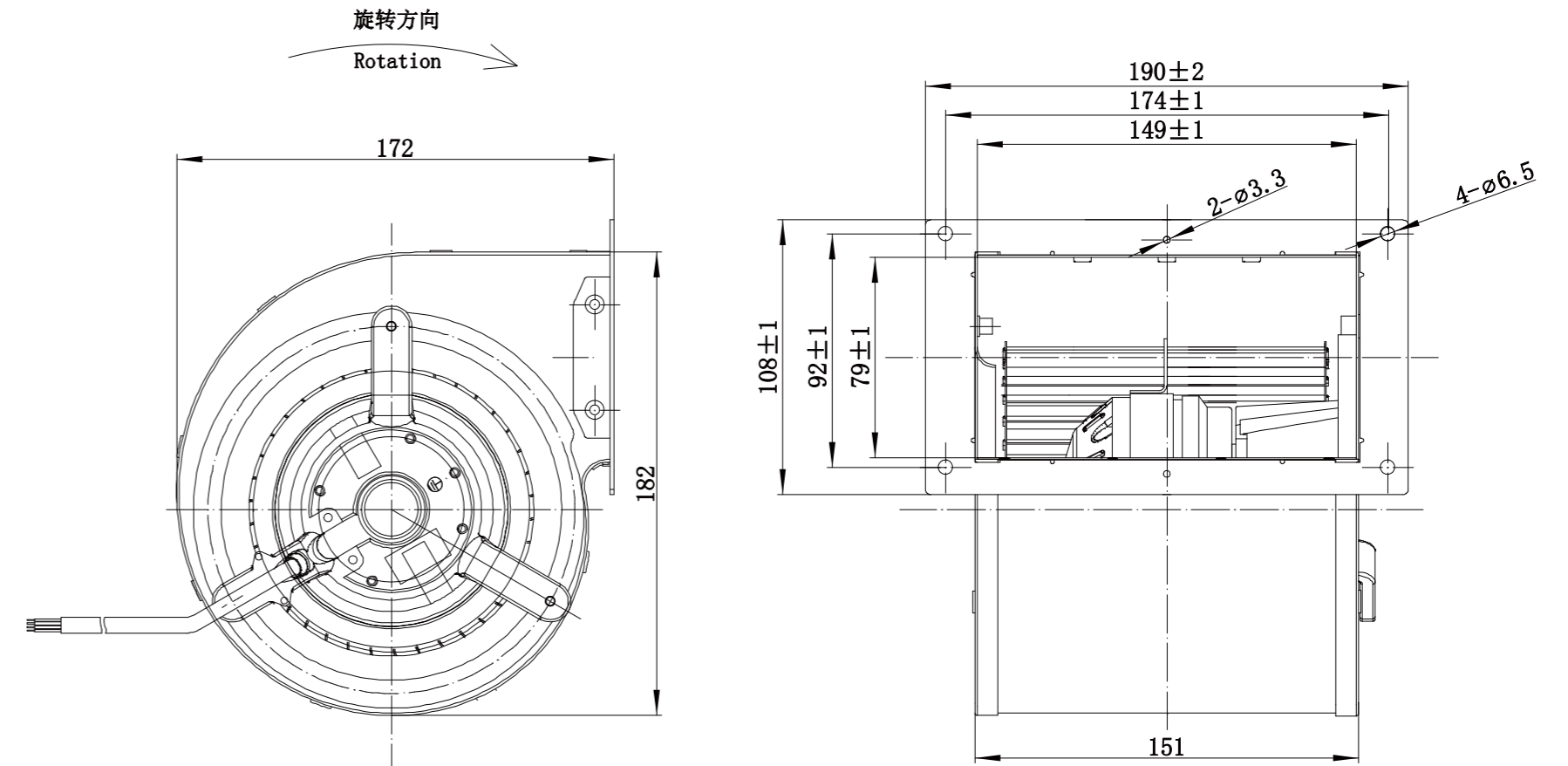


## Technical Specifications

| Model              | Voltage (V) | Frequency (Hz) | Power (W) | Current (A) | Speed (RPM) | Air Flow (m³/h) | Air Pressure (Pa) | Noise [dB(A)] | Capacitor | Curve |
|--------------------|-------------|----------------|-----------|-------------|-------------|-----------------|-------------------|---------------|-----------|-------|
|                    |             |                | 70        | 0.3         | 1450        | 330             | 309               | 40            | 1.5uF     | ①     |
| LWFA2E133-092DS-07 | 230         | 50             | 60        | 0.26        | 1250        | 278             | 278               | 35            | 1.5uF     | ②     |
|                    |             |                | 47        | 0.22        | 950         | 206             | 206               | 29            | 1.5uF     | ③     |



## Product Drawing (mm)



# LWFA-133 Series

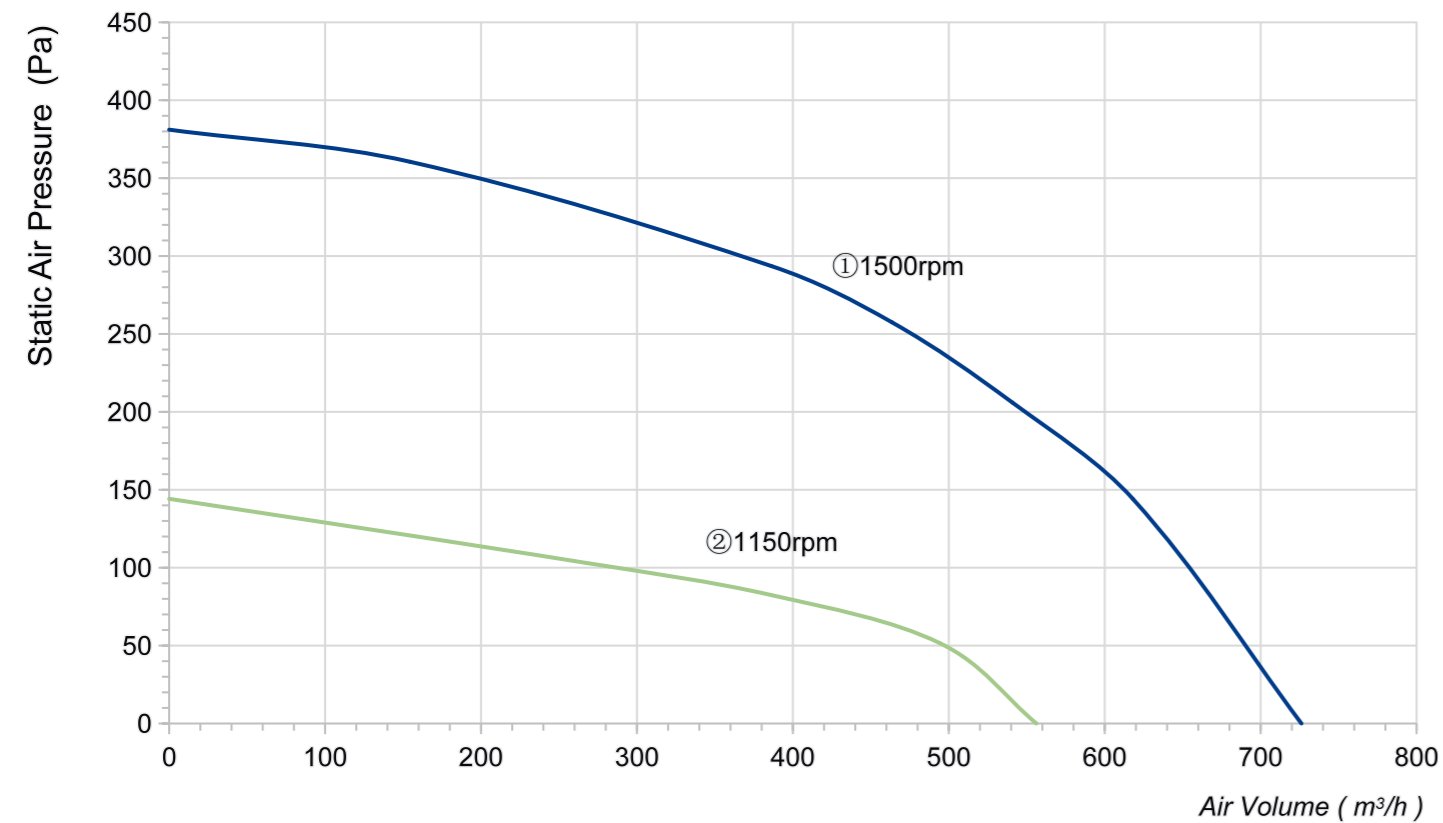
## Product Characteristic

- Material : Metal
- Mode of operation: S1
- Type of operation: IP54
- Insulation class: F
- Bearing: Maintenance-free ball bearings
- Operation Temperature: -30~+60 C

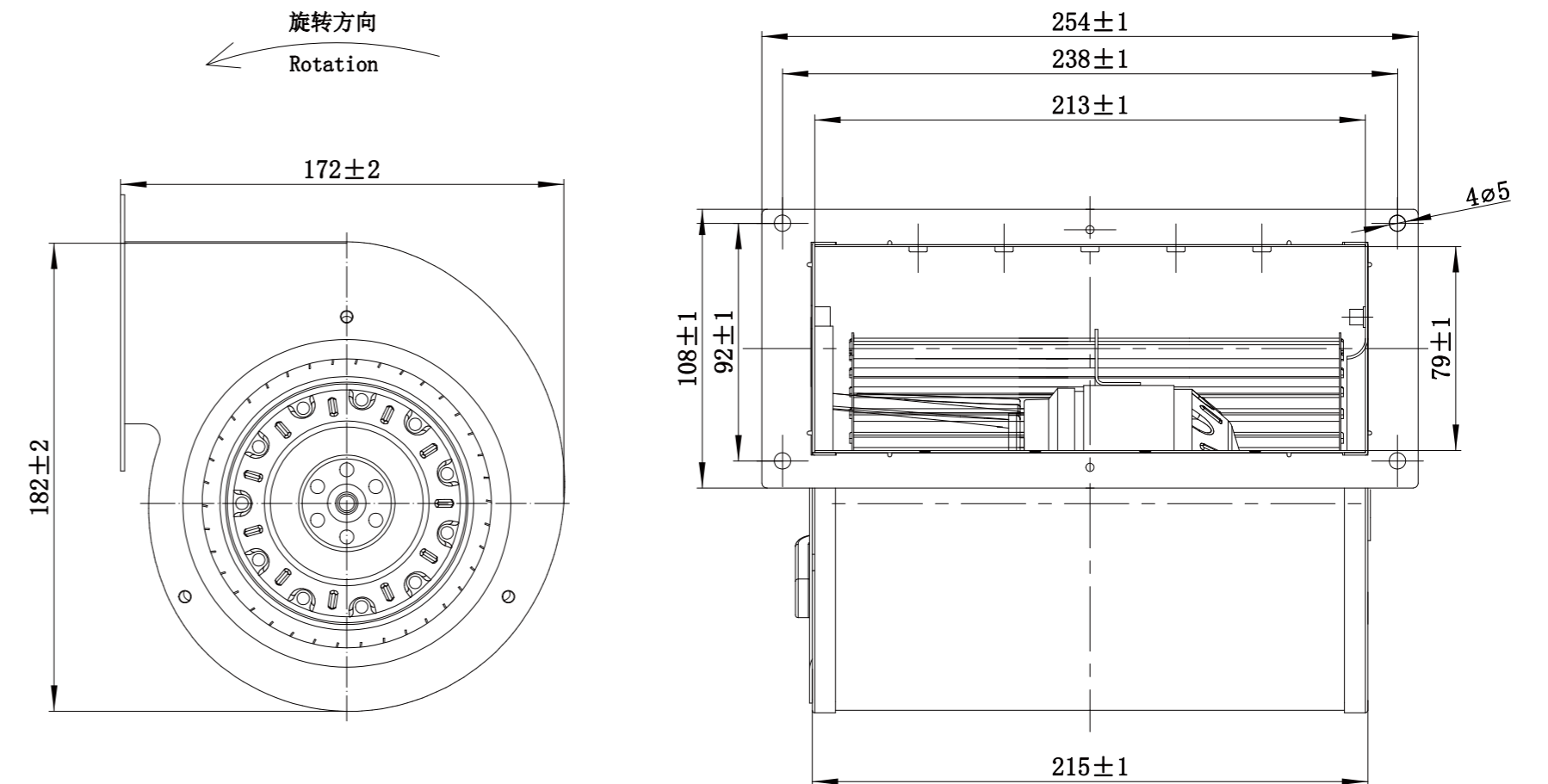


## Technical Specifications

| Model              | Voltage (V) | Frequency (Hz) | Power (W) | Current (A) | Speed (RPM) | Air Flow (m³/h) | Air Pressure (Pa) | Noise [dB(A)] | Capacitor | Curve |
|--------------------|-------------|----------------|-----------|-------------|-------------|-----------------|-------------------|---------------|-----------|-------|
| LWFA2E133-092DS-08 | 230         | 50             | 190       | 0.85        | 1500        | 726             | 381               | 60            | 4uF       | ①     |
| LWFA4E133-092DS-09 | 230         | 50             | 75        | 0.35        | 1150        | 556             | 144               | 51            | 2uF       | ②     |



## Product Drawing (mm)



# LWFA-133 Series

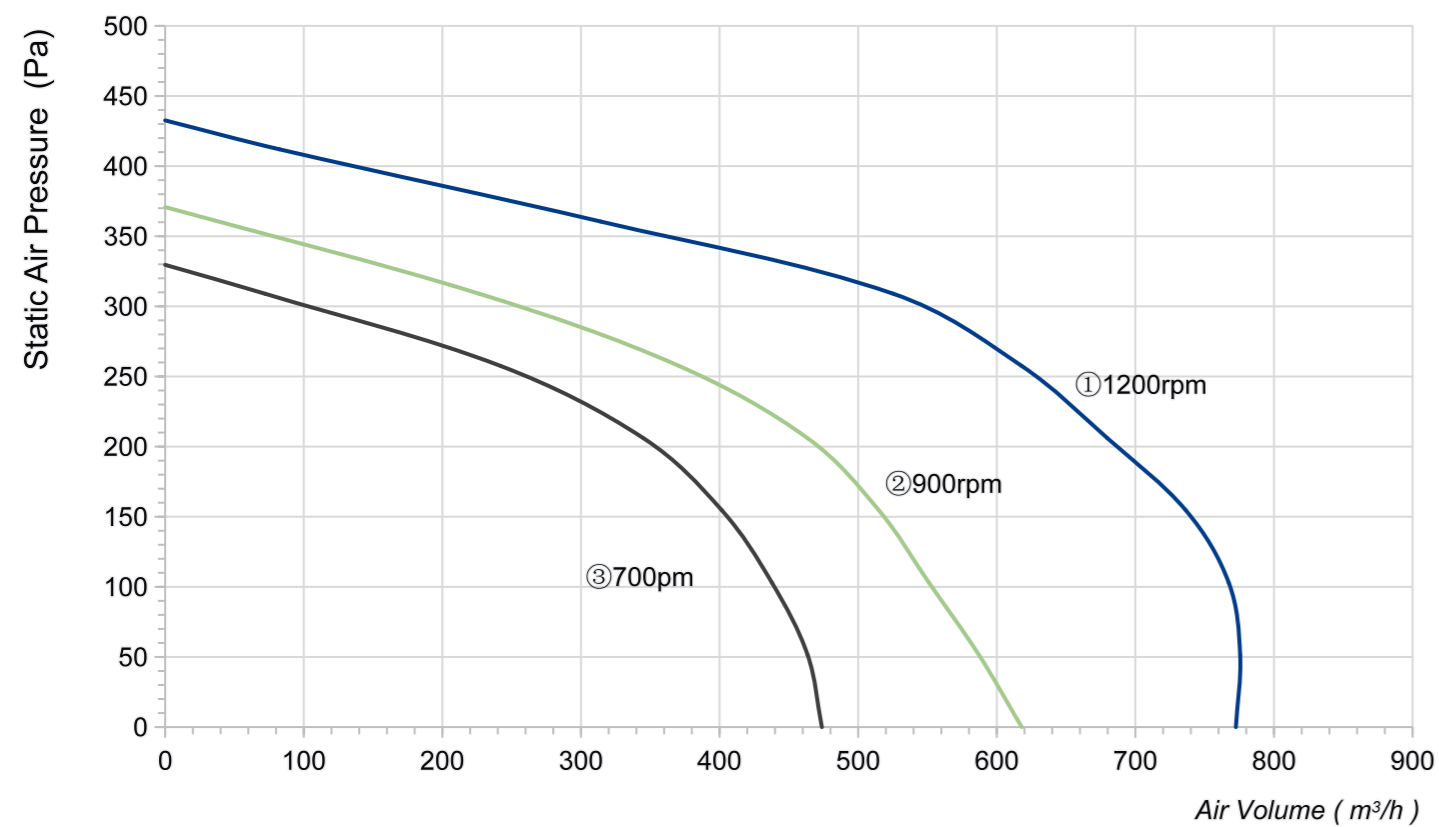
## Product Characteristic

- Material : Metal
- Mode of operation: S1
- Type of operation: IP54
- Insulation class: F
- Bearing: Maintenance-free ball bearings
- Operation Temperature: -30~+60 C

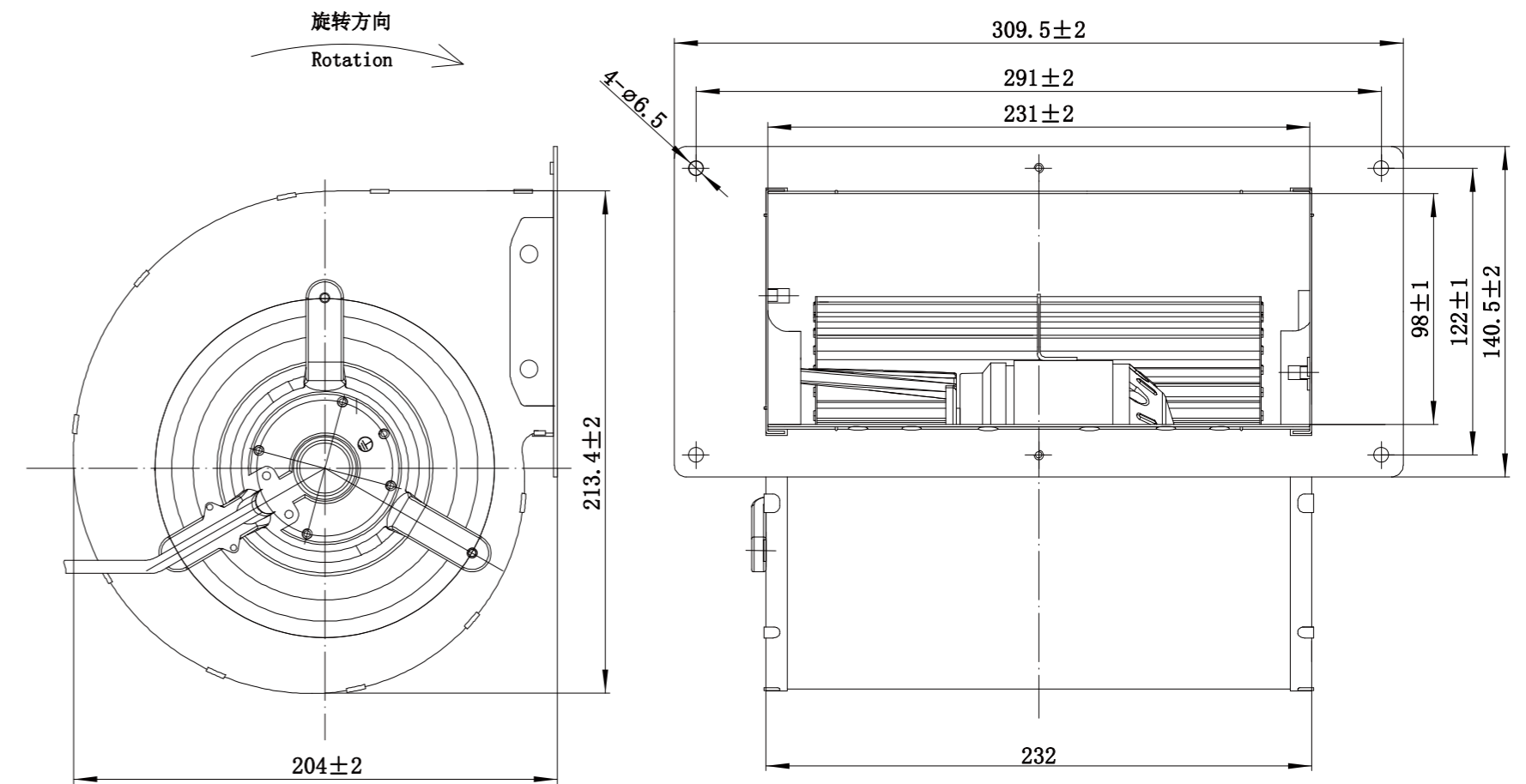


## Technical Specifications

| Model              | Voltage (V) | Frequency (Hz) | Power (W) | Current (A) | Speed (RPM) | Air Flow (m³/h) | Air Pressure (Pa) | Noise [dB(A)] | Capacitor | Curve |
|--------------------|-------------|----------------|-----------|-------------|-------------|-----------------|-------------------|---------------|-----------|-------|
|                    |             |                | 250       | 1.1         | 1200        | 773             | 433               | 58            | 4uF       | ①     |
| LWFA2E133-092DS-10 | 230         | 50             | 205       | 0.9         | 900         | 618             | 371               | 51            | 4uF       | ②     |
|                    |             |                | 175       | 0.8         | 700         | 474             | 330               | 46            | 4uF       | ③     |



## Product Drawing (mm)



# LWFA-146 Series

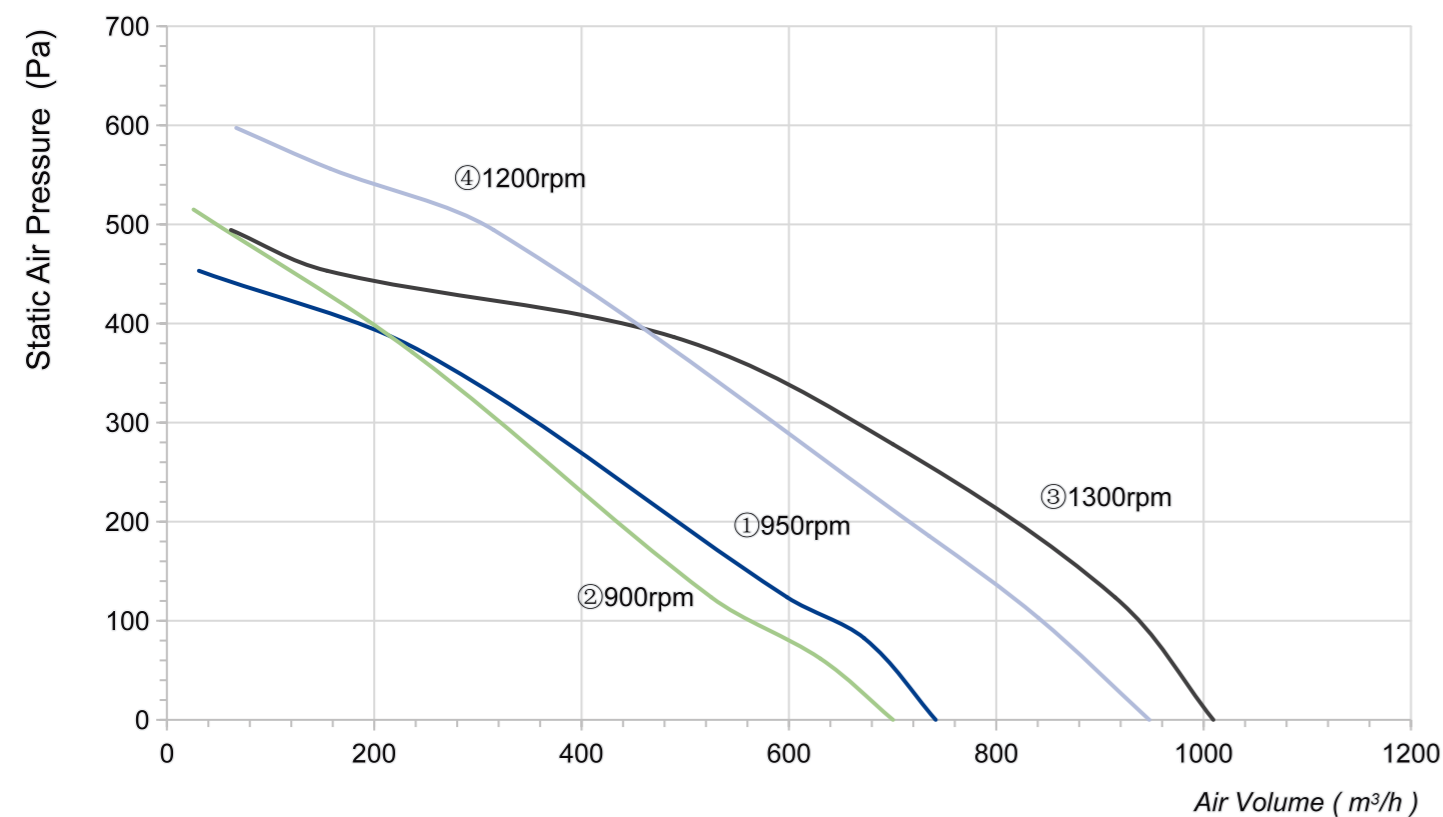
## Product Characteristic

- Material : Metal
- Mode of operation: S1
- Type of operation: IP54
- Insulation class: F
- Bearing: Maintenance-free ball bearings
- Operation Temperature: -30~+60 C

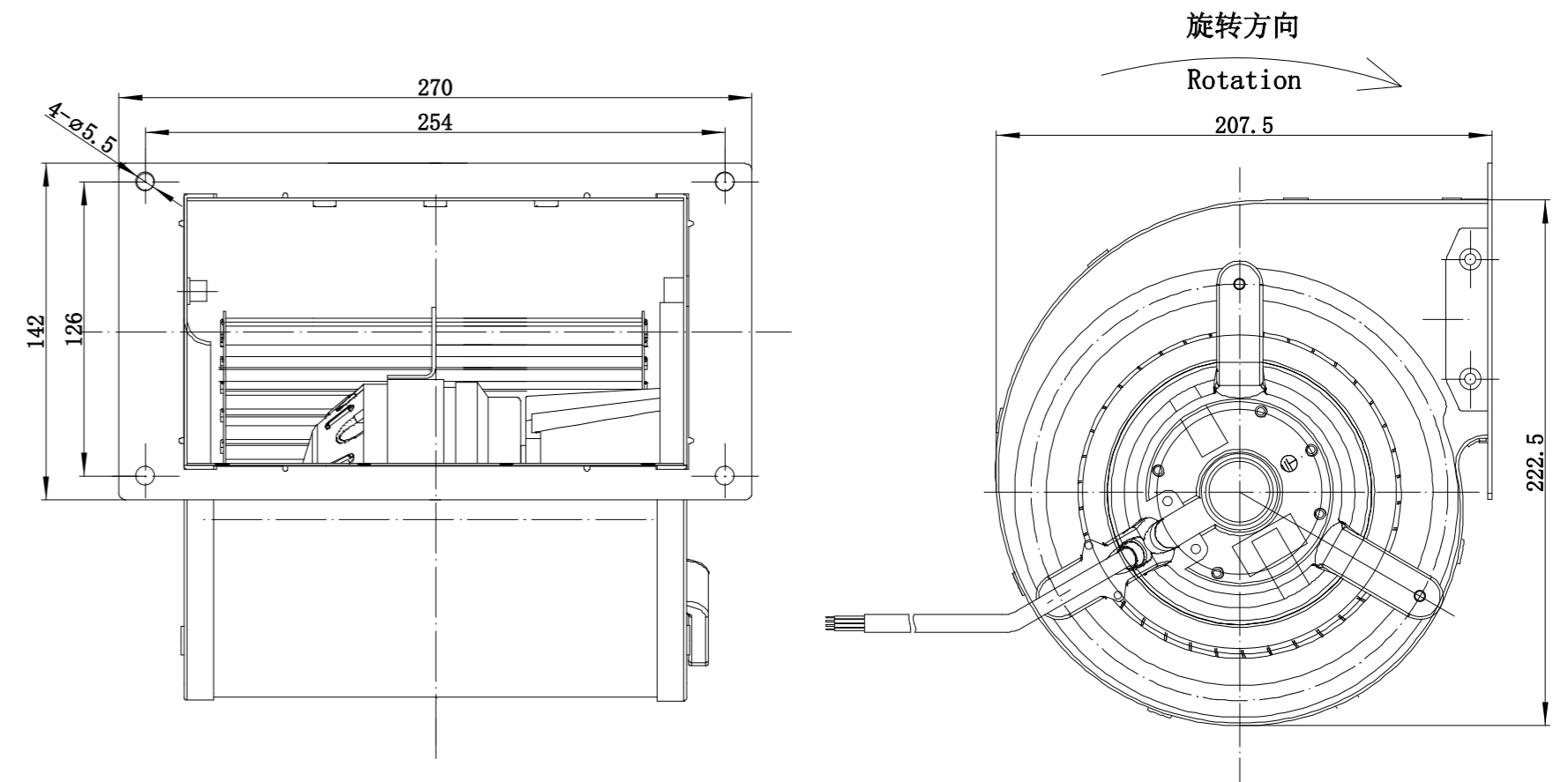


## Technical Specifications

| Model              | Voltage (V) | Frequency (Hz) | Power (W) | Current (A) | Speed (RPM) | Air Flow (m³/h) | Air Pressure (Pa) | Noise [dB(A)] | Capacitor | Curve |
|--------------------|-------------|----------------|-----------|-------------|-------------|-----------------|-------------------|---------------|-----------|-------|
| LWFA2E146-092DS-01 | 230         | 50             | 175       | 0.79        | 950         | 742             | 453               | 58            | 5uF       | ①     |
| LWFA2E146-092DS-02 | 230         | 60             | 190       | 0.85        | 900         | 700             | 515               | 58            | 5uF       | ②     |
| LWFA2E146-092DS-03 | 230         | 50             | 275       | 1.25        | 1300        | 1009            | 494               | 69            | 8uF       | ③     |
| LWFA2E146-092DS-04 | 230         | 60             | 295       | 1.35        | 1200        | 948             | 597               | 69            | 8uF       | ④     |



## Product Drawing (mm)



# LWFA-146 Series

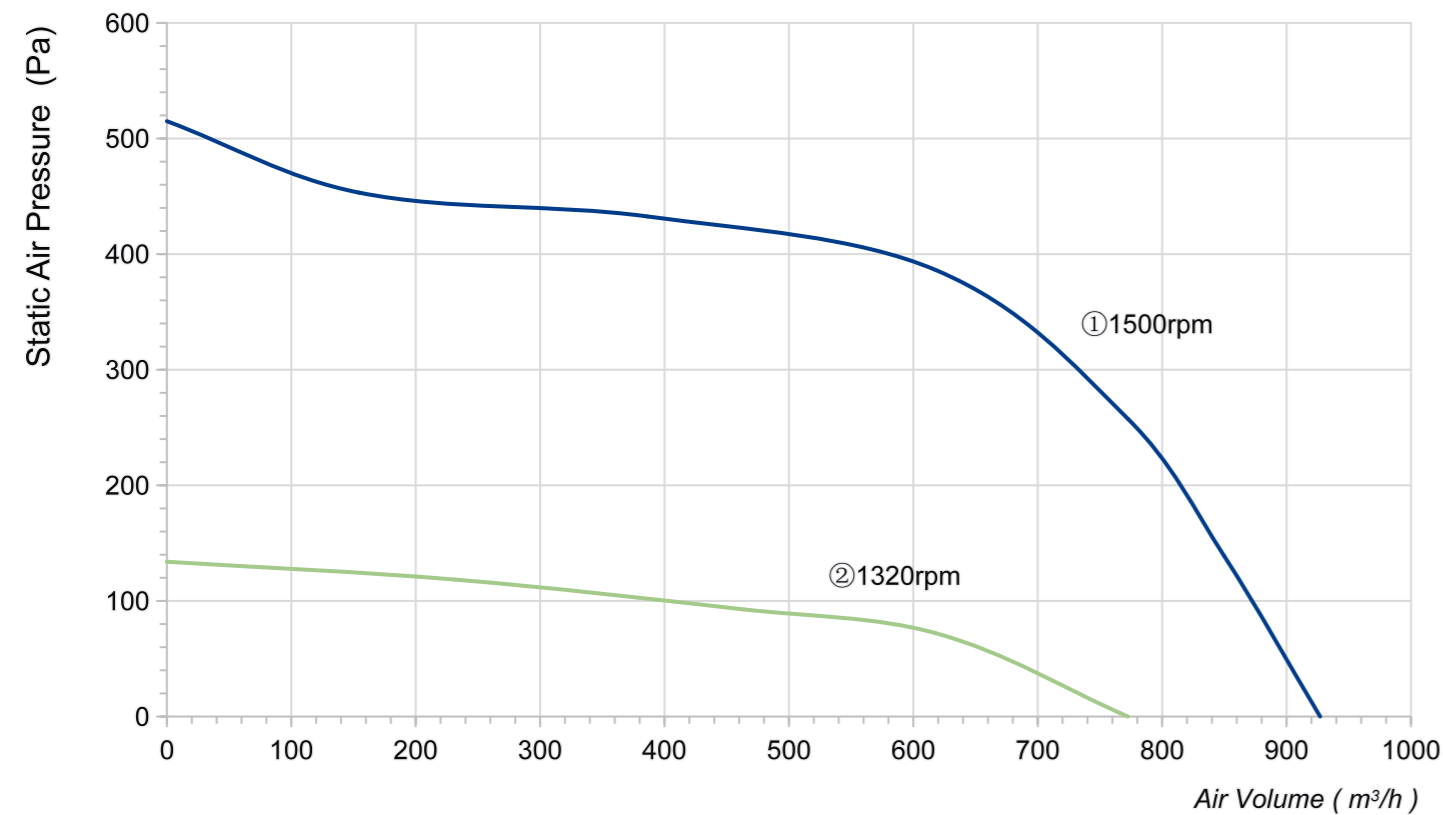
## Product Characteristic

- Material : Metal
- Mode of operation: S1
- Type of operation: IP54
- Insulation class: F
- Bearing: Maintenance-free ball bearings
- Operation Temperature: -30~+60 C

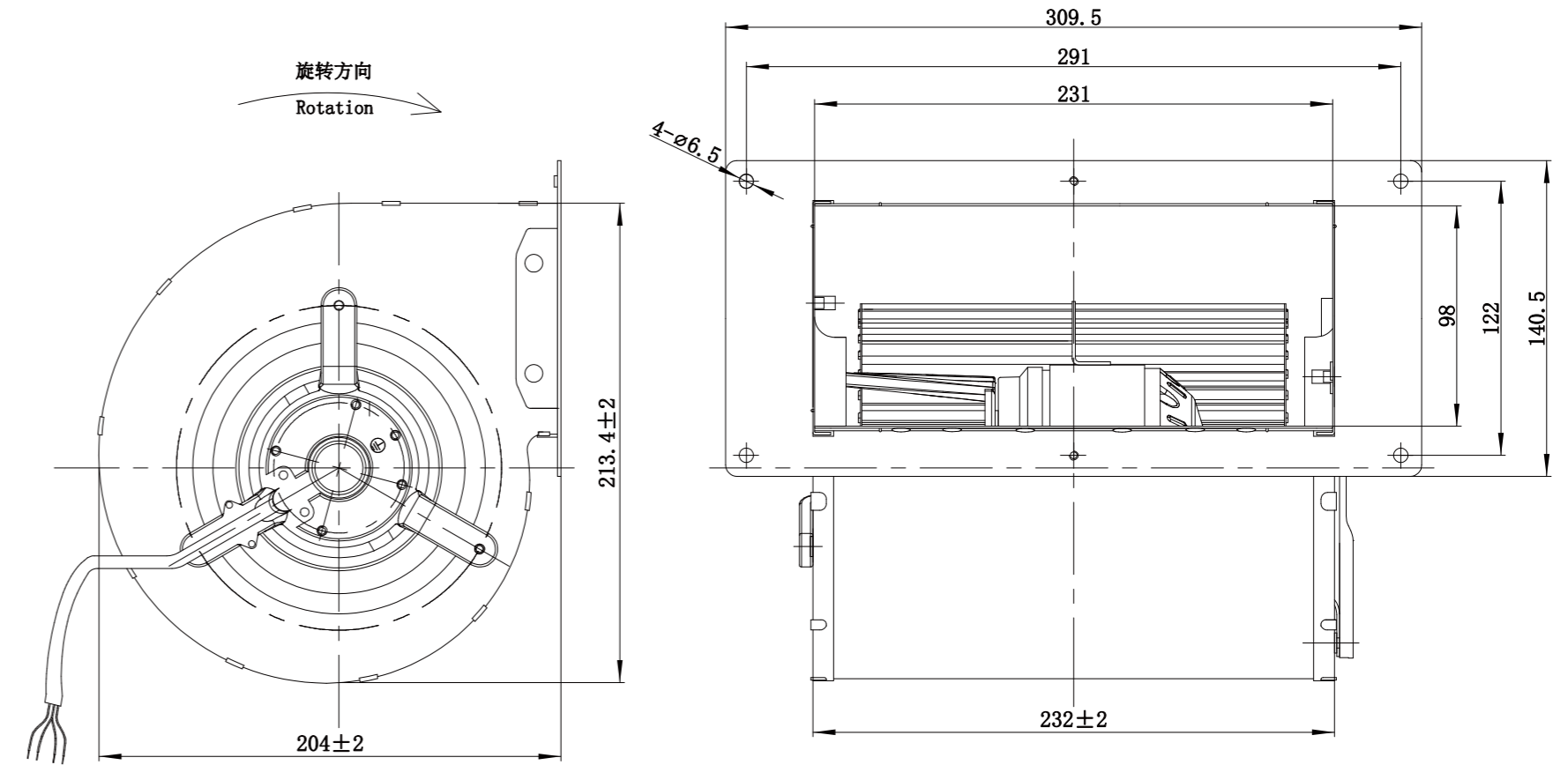


## Technical Specifications

| Model              | Voltage (V) | Frequency (Hz) | Power (W) | Current (A) | Speed (RPM) | Air Flow (m³/h) | Air Pressure (Pa) | Noise [dB(A)] | Capacitor | Curve |
|--------------------|-------------|----------------|-----------|-------------|-------------|-----------------|-------------------|---------------|-----------|-------|
| LWFA2E146-092DS-05 | 230         | 50             | 250       | 1.2         | 1500        | 927             | 515               | 60            | 6uF       | ①     |
| LWFA4E146-092DS-06 | 230         | 50             | 100       | 0.54        | 1320        | 773             | 134               | 52            | 3uF       | ②     |



## Product Drawing (mm)



# LWFA-146 Series

## Product Characteristic

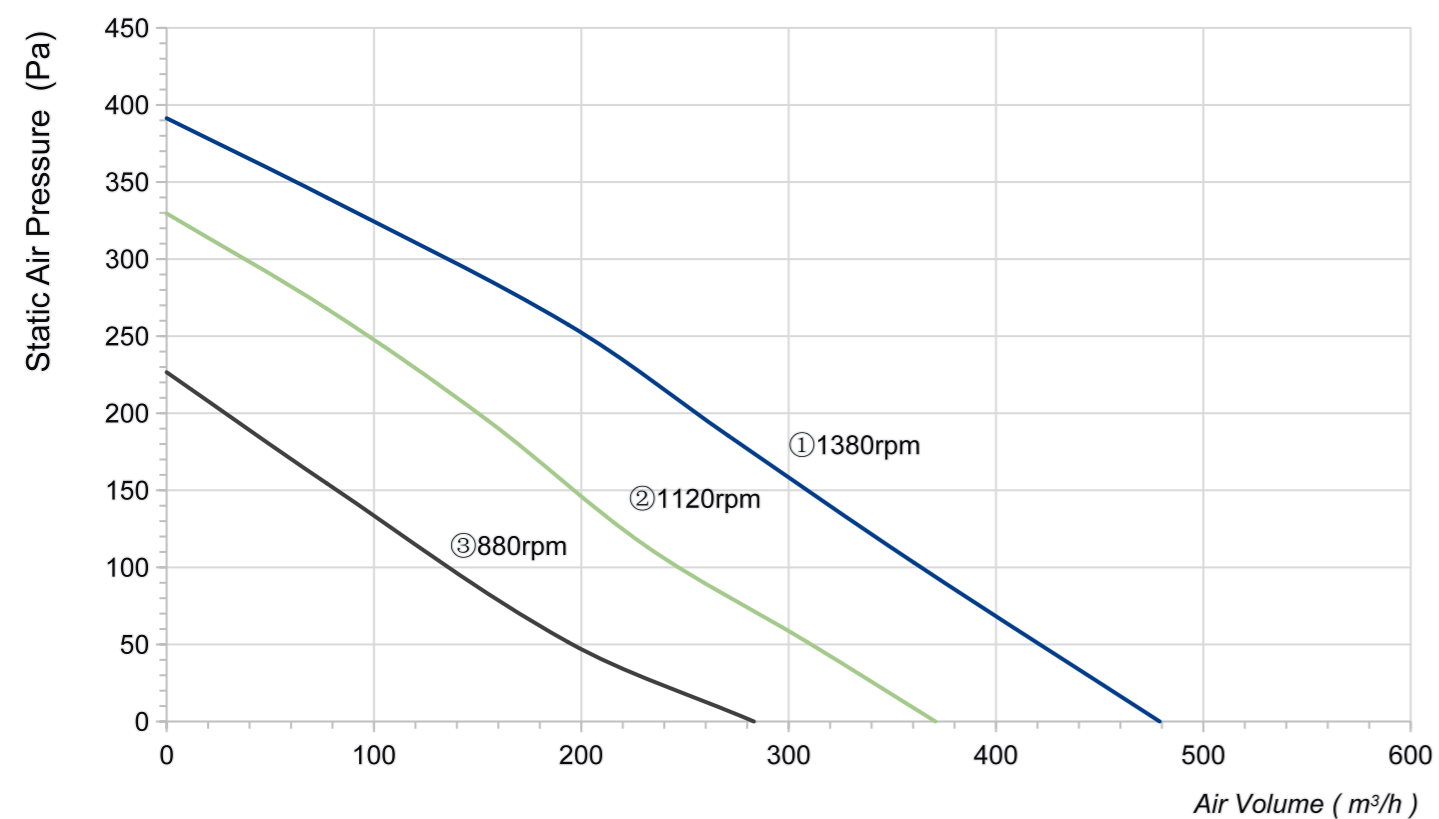
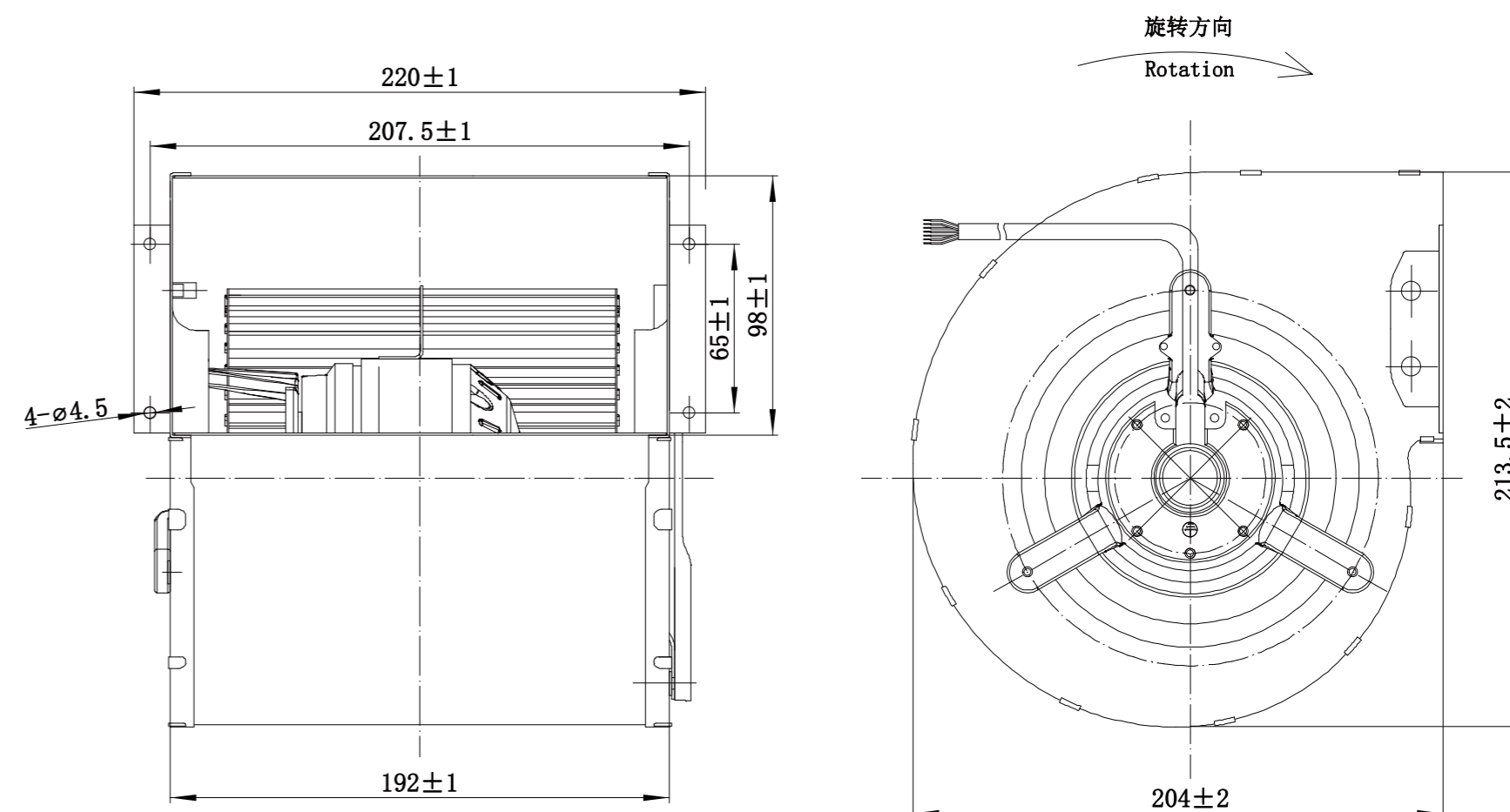
- Material : Metal
- Mode of operation: S1
- Type of operation: IP54
- Insulation class: F
- Bearing: Maintenance-free ball bearings
- Operation Temperature: -30~+60 C



## Technical Specifications

| Model              | Voltage (V) | Frequency (Hz) | Power (W) | Current (A) | Speed (RPM) | Air Flow (m³/h) | Air Pressure (Pa) | Noise [dB(A)] | Capacitor | Curve |
|--------------------|-------------|----------------|-----------|-------------|-------------|-----------------|-------------------|---------------|-----------|-------|
|                    |             |                | 105       | 0.43        | 1380        | 479             | 391               | 40            | 2.5uF     | ①     |
| LWFA2E146-092DS-07 | 230         | 50             | 75        | 0.35        | 1120        | 371             | 330               | 35            | 2.5uF     | ②     |
|                    |             |                | 58        | 0.3         | 880         | 283             | 227               | 29            | 2.5uF     | ③     |

## Product Drawing (mm)



# LWFA-146 Series

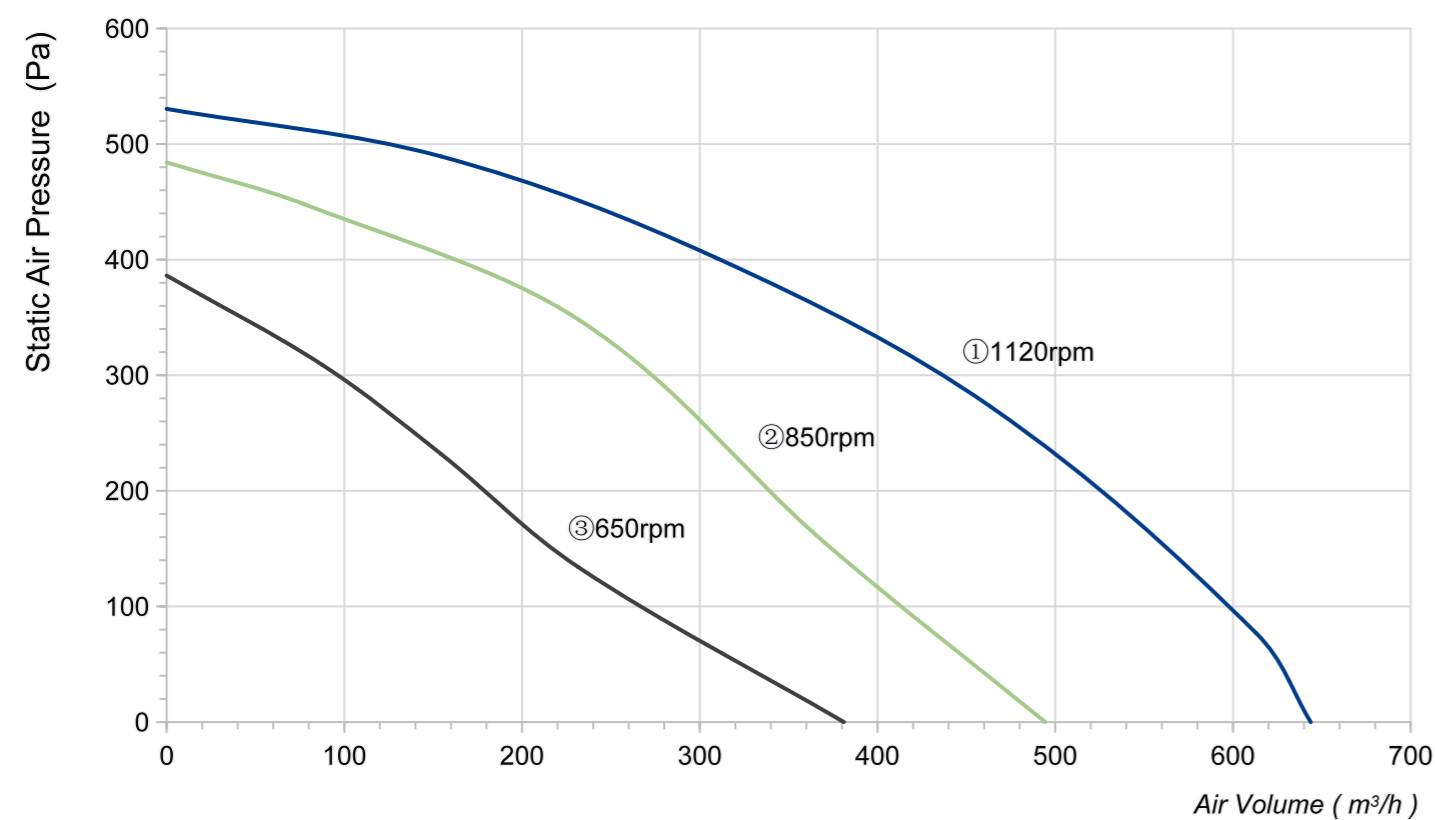
## Product Characteristic

- Material : Metal
- Mode of operation: S1
- Type of operation: IP54
- Insulation class: F
- Bearing: Maintenance-free ball bearings
- Operation Temperature: -30~+60 C

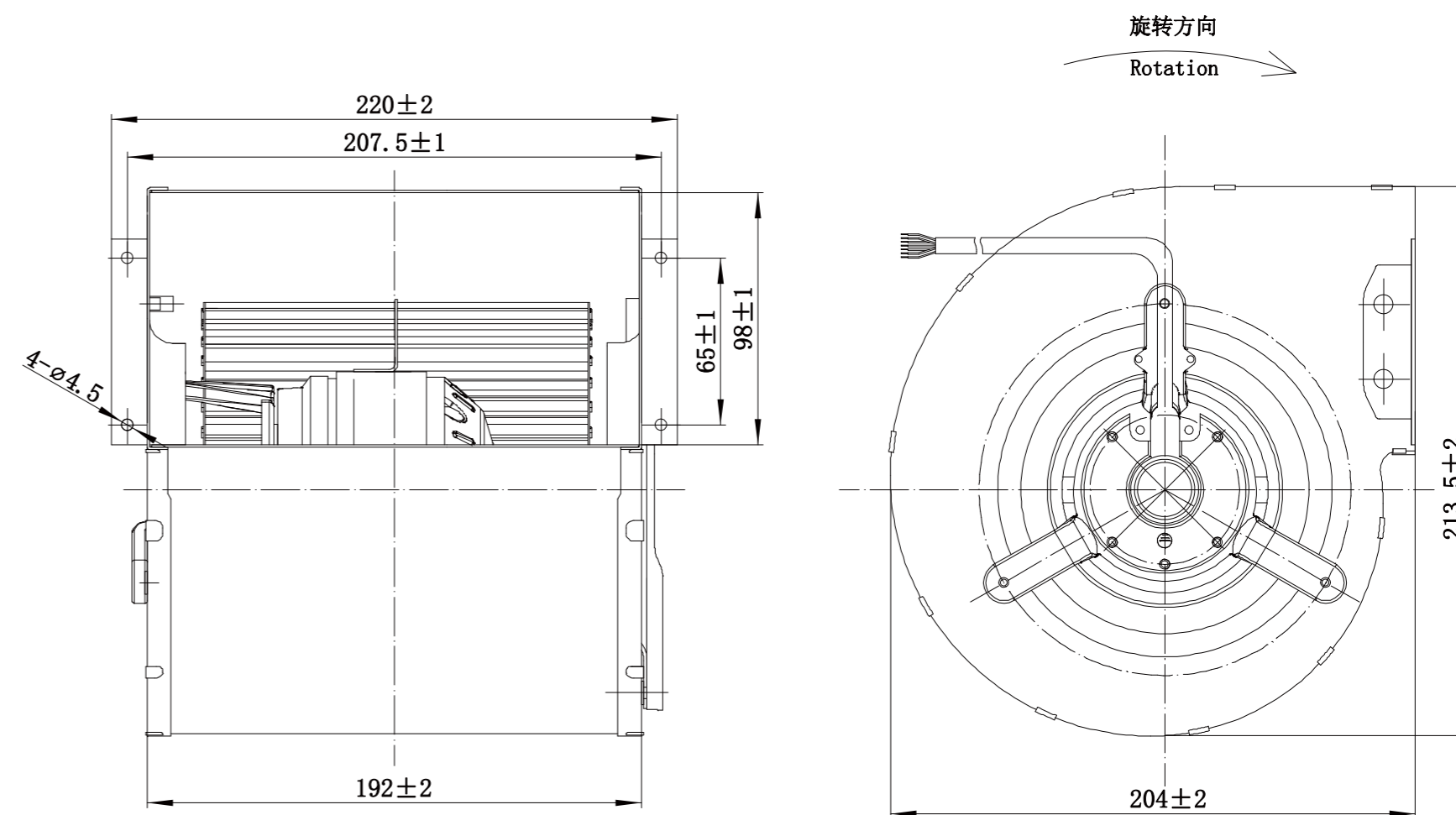


## Technical Specifications

| Model              | Voltage (V) | Frequency (Hz) | Power (W) | Current (A) | Speed (RPM) | Air Flow (m³/h) | Air Pressure (Pa) | Noise [dB(A)] | Capacitor | Curve |
|--------------------|-------------|----------------|-----------|-------------|-------------|-----------------|-------------------|---------------|-----------|-------|
|                    |             |                | 250       | 1.15        | 1120        | 639             | 536               | 56            | 4uF       | ①     |
| LWFA2E146-092DS-08 | 230         | 50             | 205       | 0.94        | 850         | 494             | 484               | 49            | 4uF       | ②     |
|                    |             |                | 175       | 0.8         | 650         | 381             | 386               | 42            | 4uF       | ③     |



## Product Drawing (mm)



# LWFA-146 Series

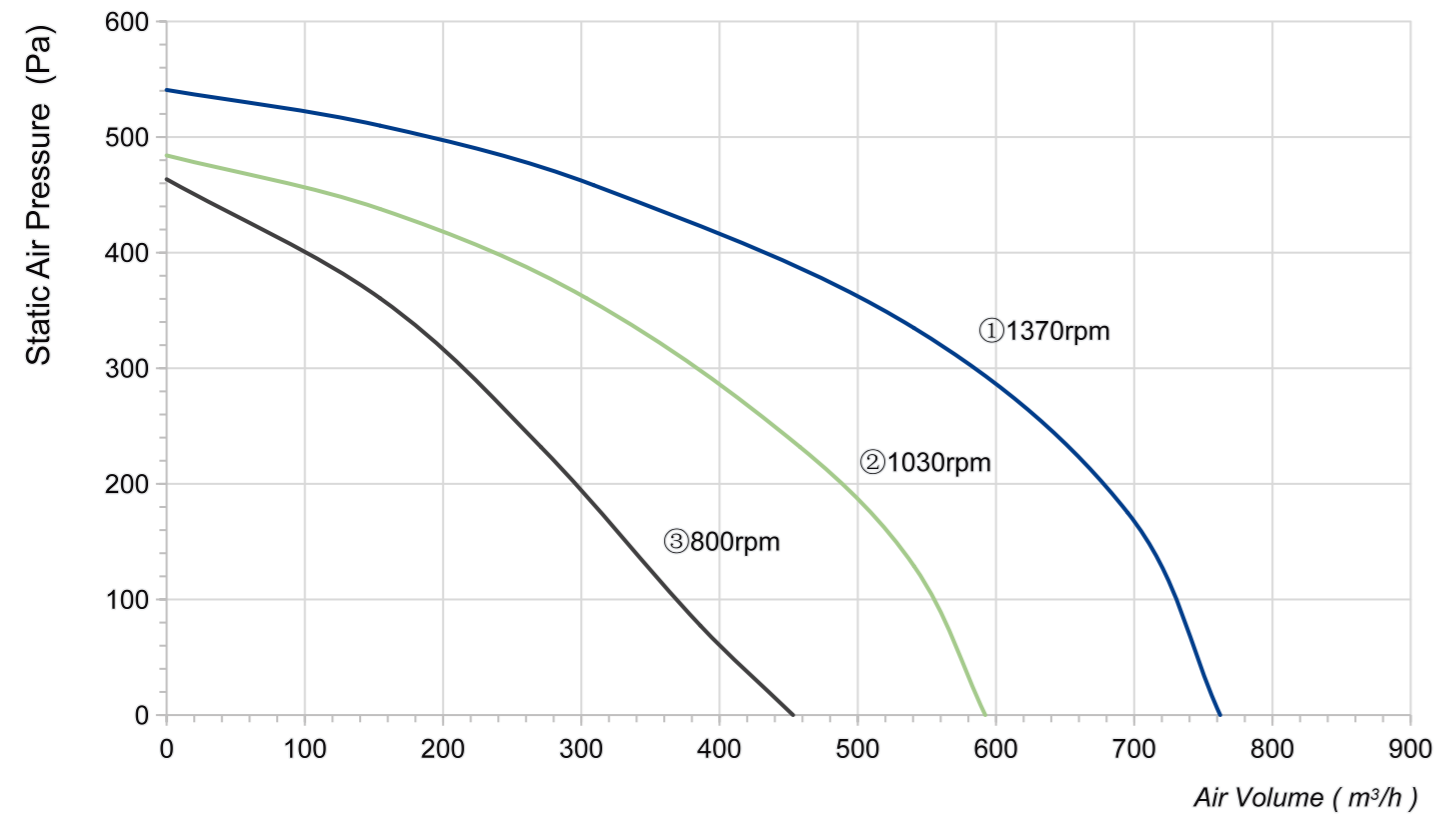
## Product Characteristic

- Material : Metal
- Mode of operation: S1
- Type of operation: IP54
- Insulation class: F
- Bearing: Maintenance-free ball bearings
- Operation Temperature: -30~+60 C

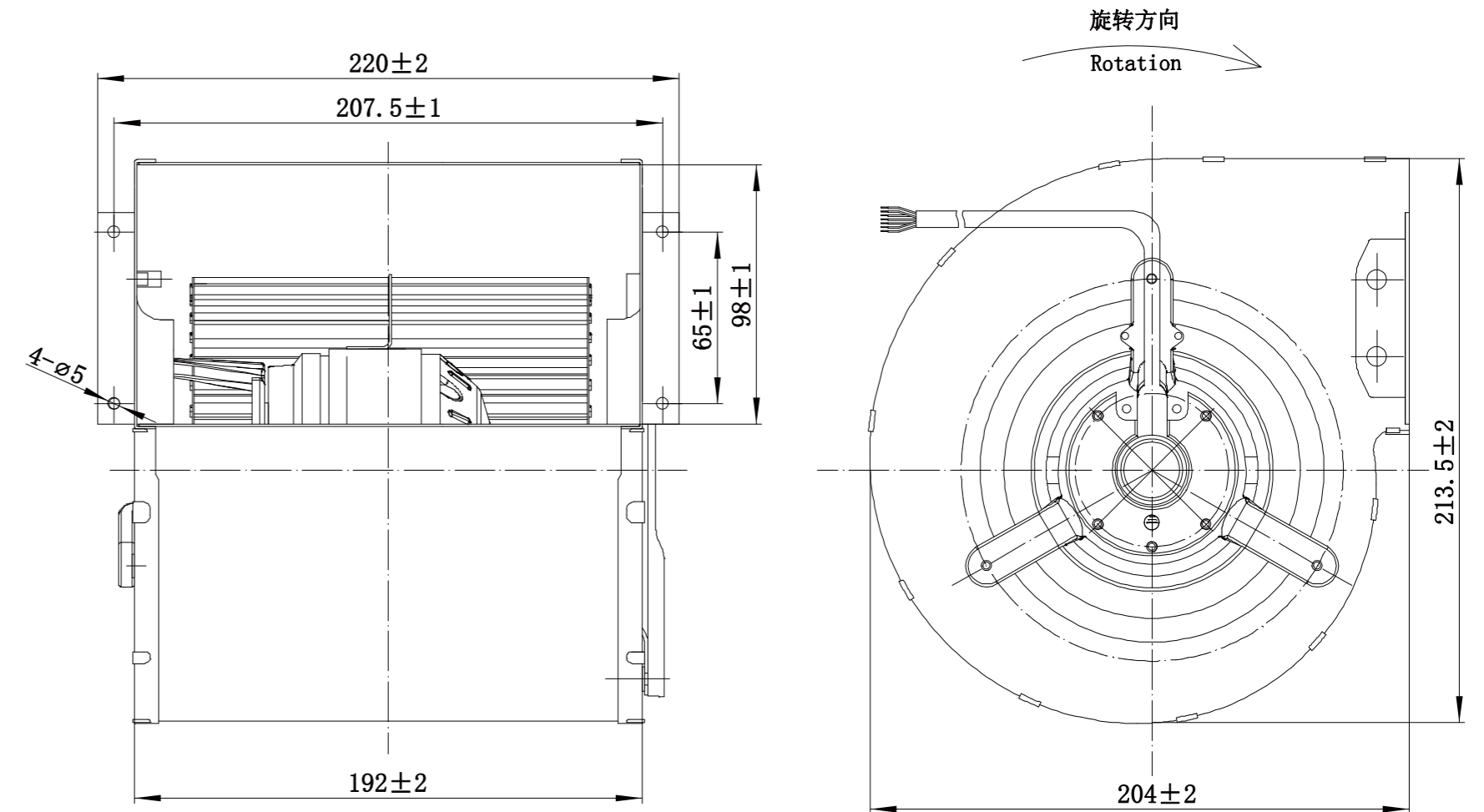


## Technical Specifications

| Model              | Voltage (V) | Frequency (Hz) | Power (W) | Current (A) | Speed (RPM) | Air Flow (m³/h) | Air Pressure (Pa) | Noise [dB(A)] | Capacitor | Curve |
|--------------------|-------------|----------------|-----------|-------------|-------------|-----------------|-------------------|---------------|-----------|-------|
|                    |             |                | 260       | 1.18        | 1370        | 762             | 541               | 60            | 6uF       | ①     |
| LWFA2E146-092DS-09 | 230         | 50             | 210       | 0.96        | 1030        | 592             | 484               | 53            | 6uF       | ②     |
|                    |             |                | 180       | 0.82        | 800         | 453             | 464               | 46            | 6uF       | ③     |



## Product Drawing (mm)



# LWFA-180 Series

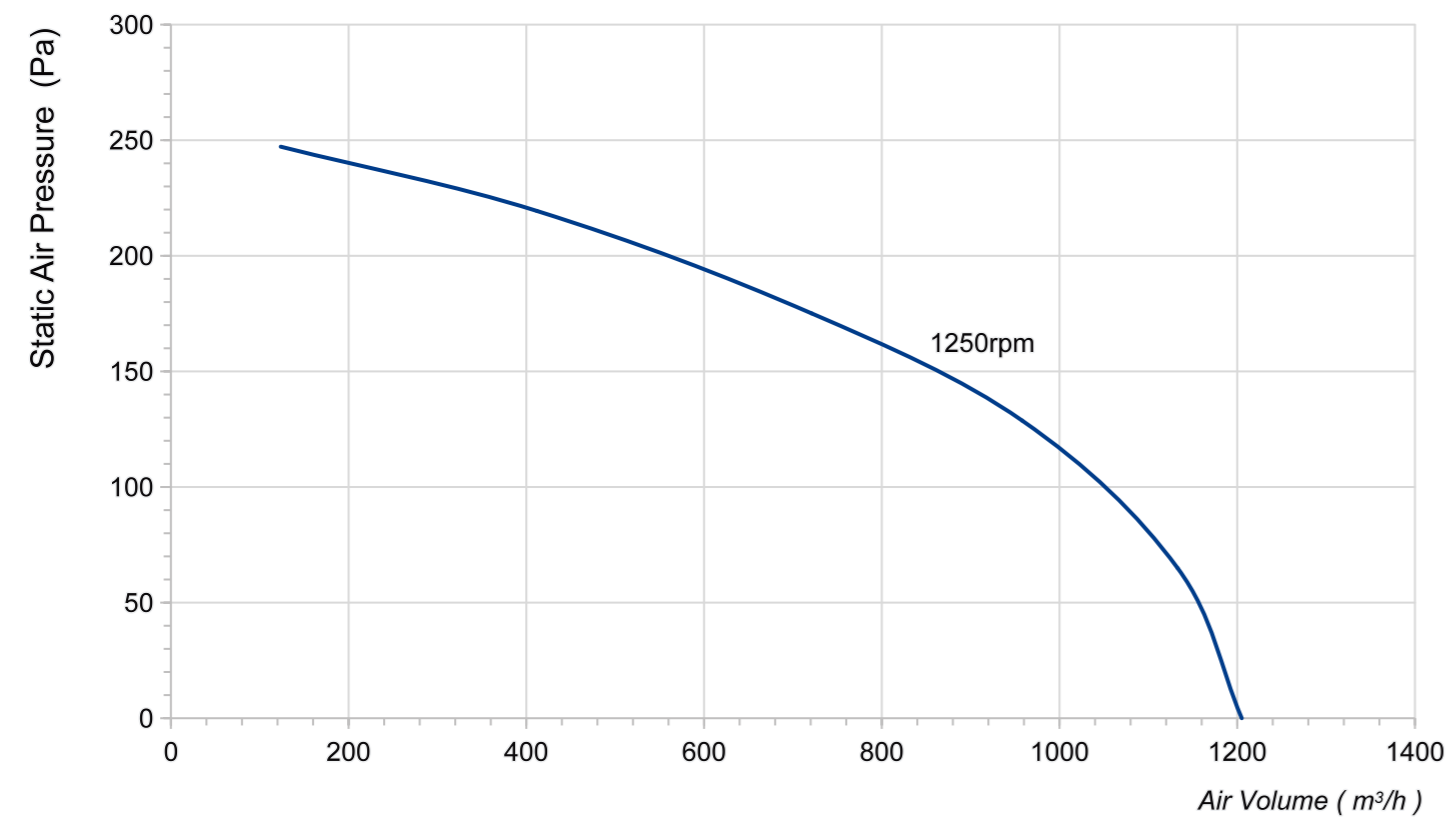
## Product Characteristic

- Material : Metal
- Mode of operation: S1
- Type of operation: IP54
- Insulation class: F
- Bearing: Maintenance-free ball bearings
- Operation Temperature: -30~+60 C

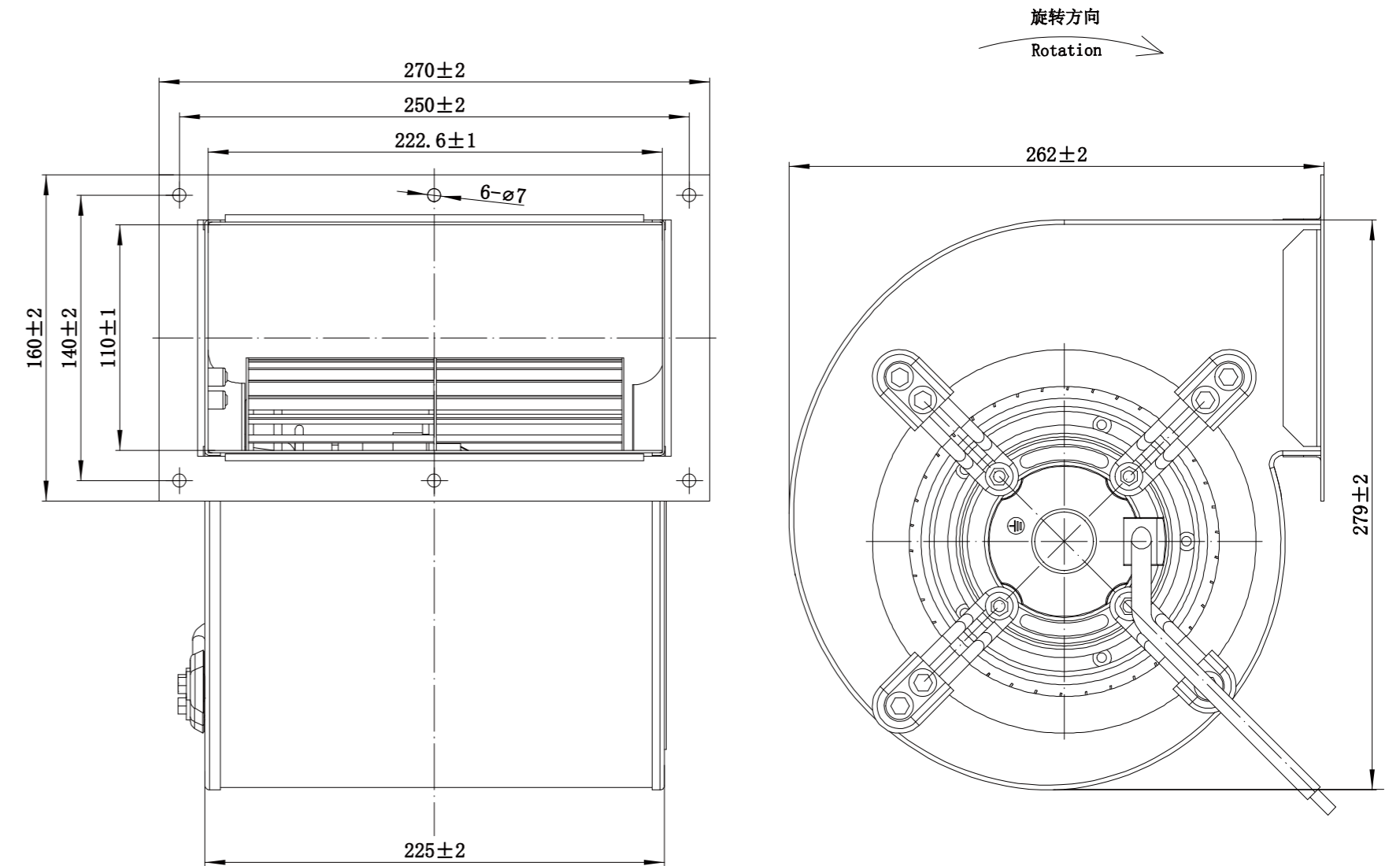


## Technical Specifications

| Model              | Voltage (V) | Frequency (Hz) | Power (W) | Current (A) | Speed (RPM) | Air Flow (m³/h) | Air Pressure (Pa) | Noise [dB(A)] | Capacitor | Curve |
|--------------------|-------------|----------------|-----------|-------------|-------------|-----------------|-------------------|---------------|-----------|-------|
| LWFA4E180-092DS-01 | 230         | 50             | 200       | 0.92        | 1250        | 1205            | 247               | 63            | 4uF       | /     |



## Product Drawing (mm)



# LWFA-250 Series

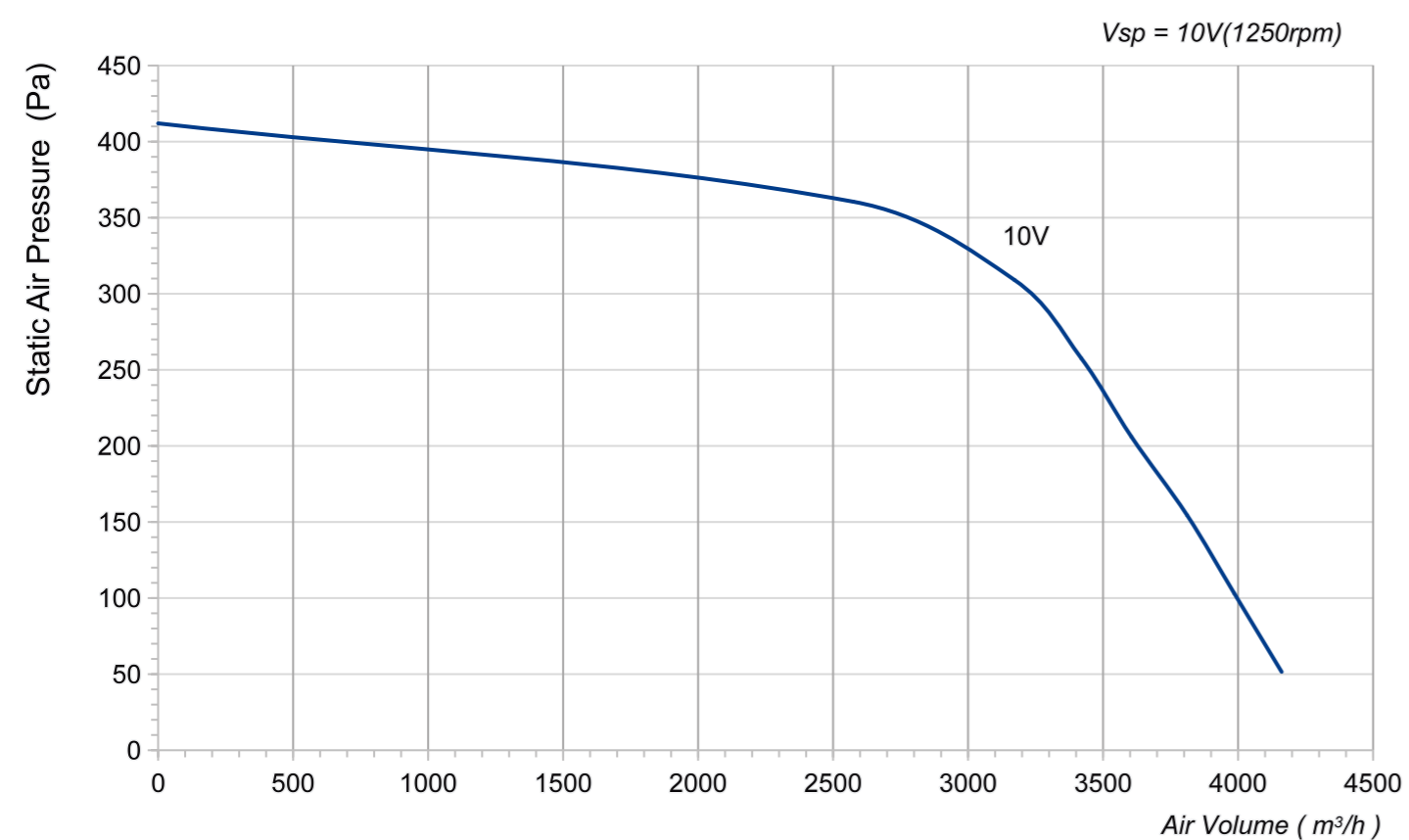
## Product Characteristic

- Material : Metal
- Mode of operation: S1
- Type of operation: IP54
- Insulation class: F
- Bearing: Maintenance-free ball bearings
- Operation Temperature: -30~+60 C

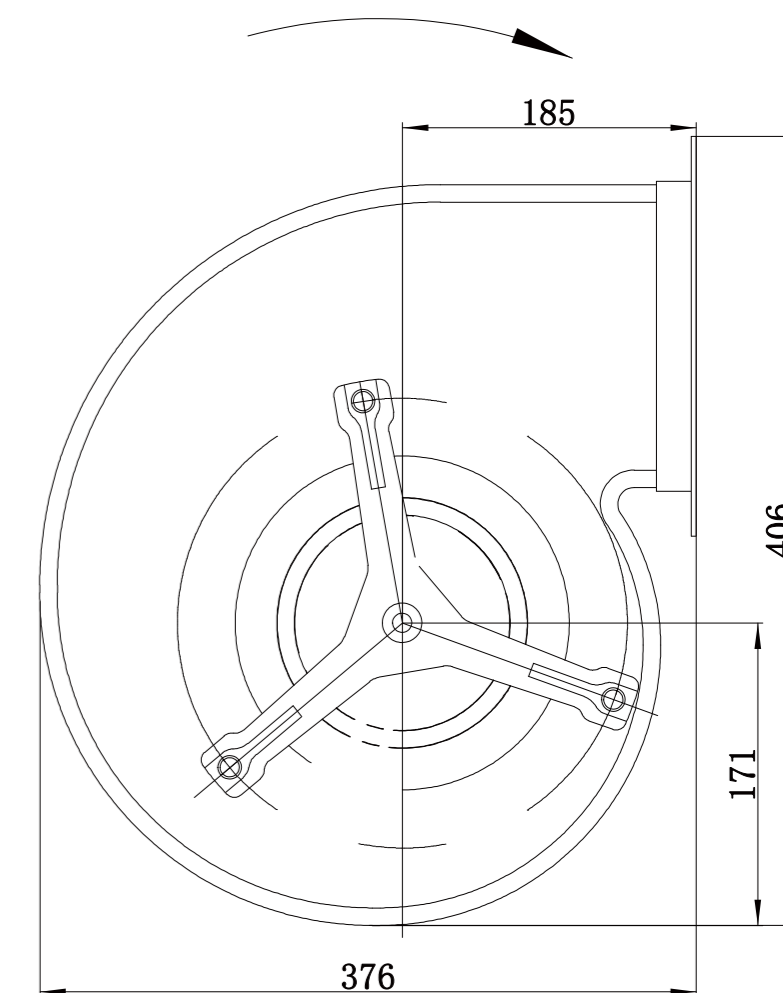
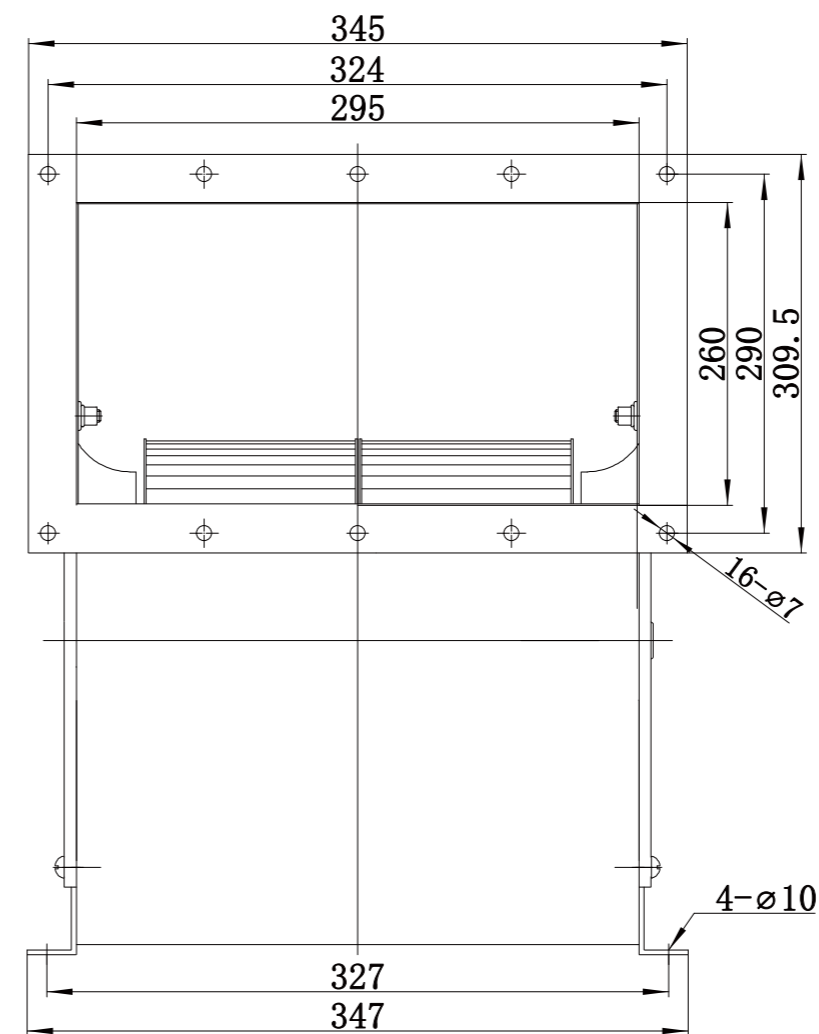


## Technical Specifications

| Model              | Voltage (V) | Frequency (Hz) | Power (W) | Current (A) | Speed (RPM) | Air Flow (m³/h) | Air Pressure (Pa) | Noise [dB(A)] | Capacitor | Curve |
|--------------------|-------------|----------------|-----------|-------------|-------------|-----------------|-------------------|---------------|-----------|-------|
| LWFA4D250-102DS-04 | 380         | 50             | 1200      | 2.1         | 1250        | 4161            | 412               | 77            | /         | /     |



## Product Drawing (mm)



# LWFA-250 Series

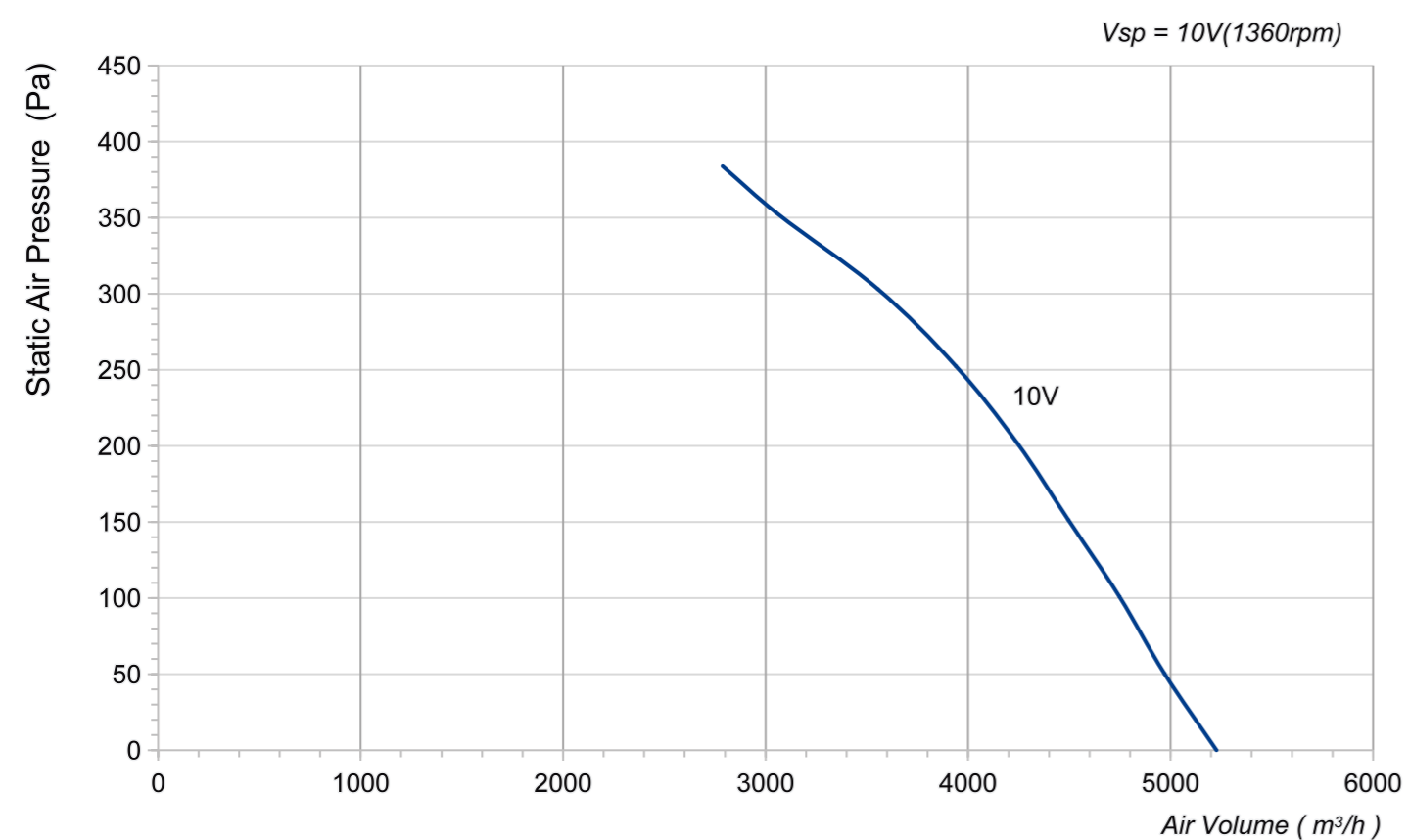
## Product Characteristic

- Material : Metal
- Mode of operation: S1
- Type of operation: IP54
- Insulation class: F
- Bearing: Maintenance-free ball bearings
- Operation Temperature: -30~+60 C

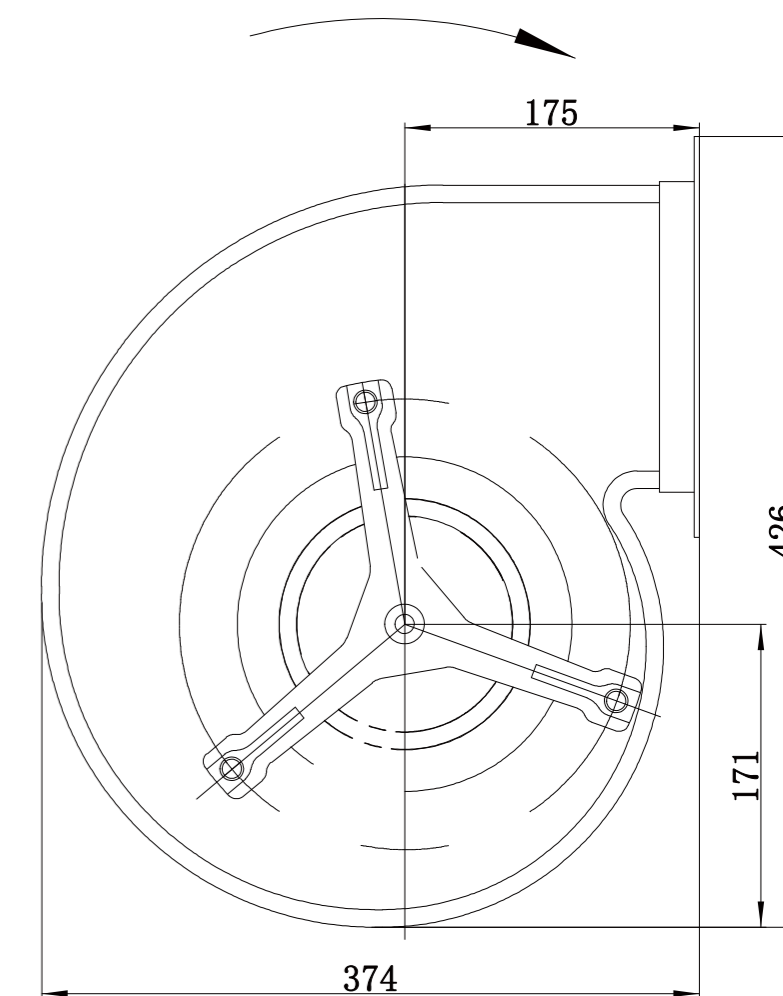
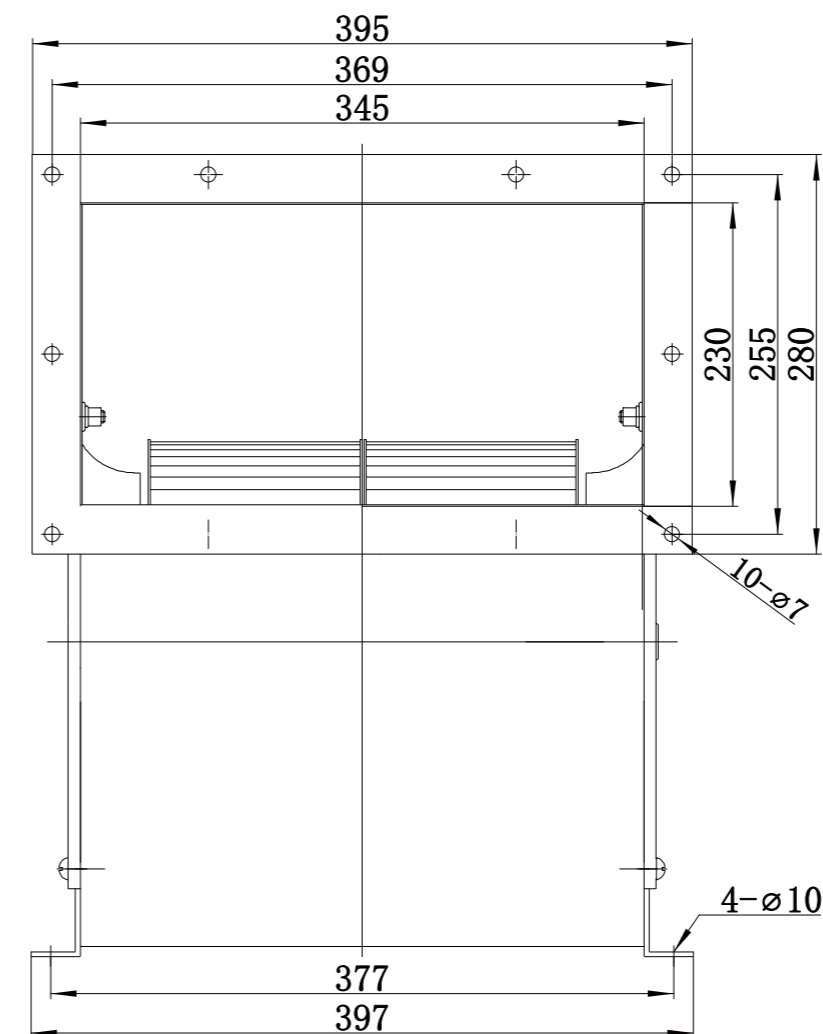


## Technical Specifications

| Model              | Voltage (V) | Frequency (Hz) | Power (W) | Current (A) | Speed (RPM) | Air Flow (m³/h) | Air Pressure (Pa) | Noise [dB(A)] | Capacitor | Curve |
|--------------------|-------------|----------------|-----------|-------------|-------------|-----------------|-------------------|---------------|-----------|-------|
| LWFA4D250-102DS-05 | 380         | 50             | 1380      | 2.5         | 1360        | 5227            | 384               | 77            | /         | /     |



## Product Drawing (mm)



# LWFA-300 Series

## Product Characteristic

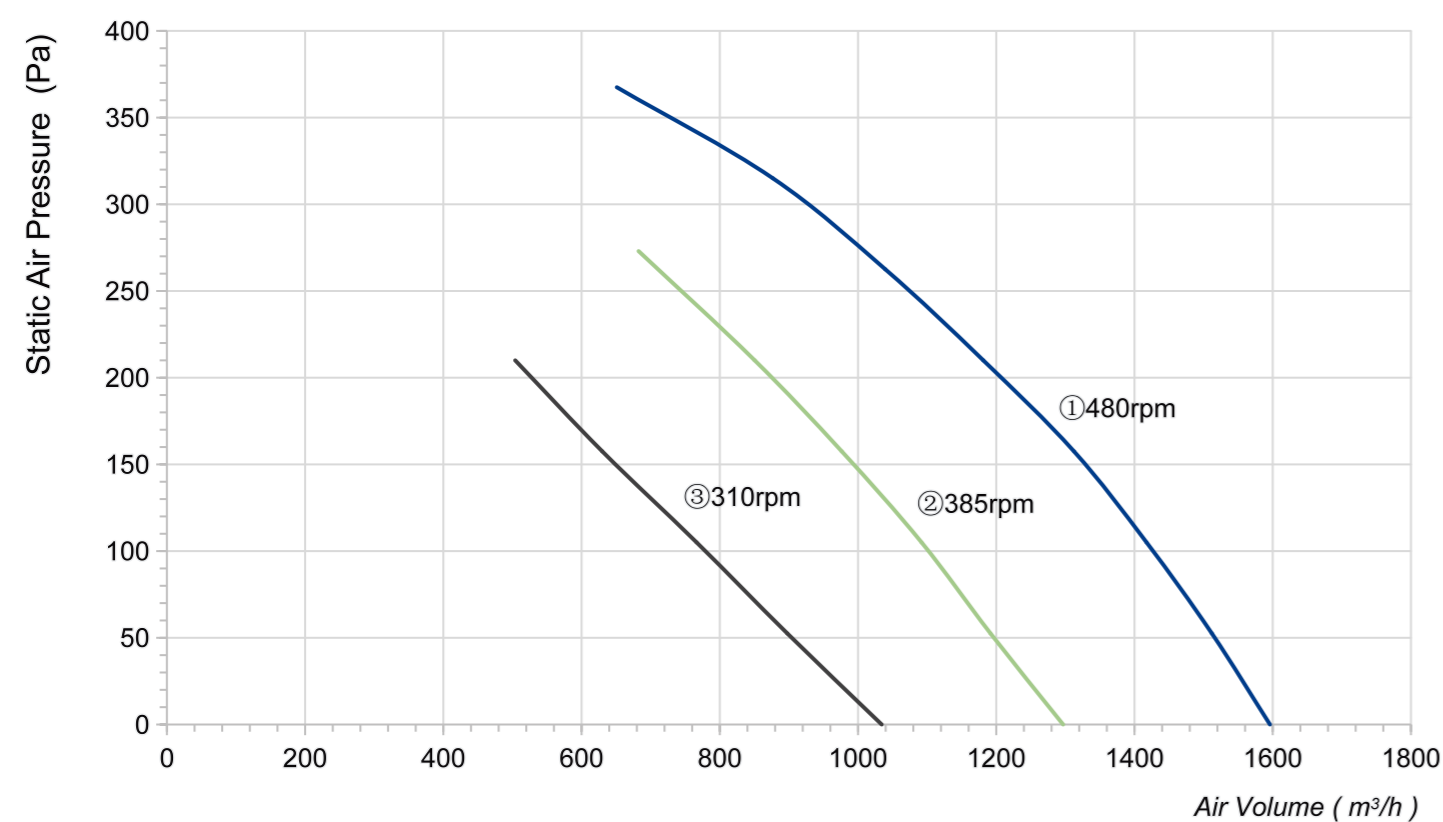
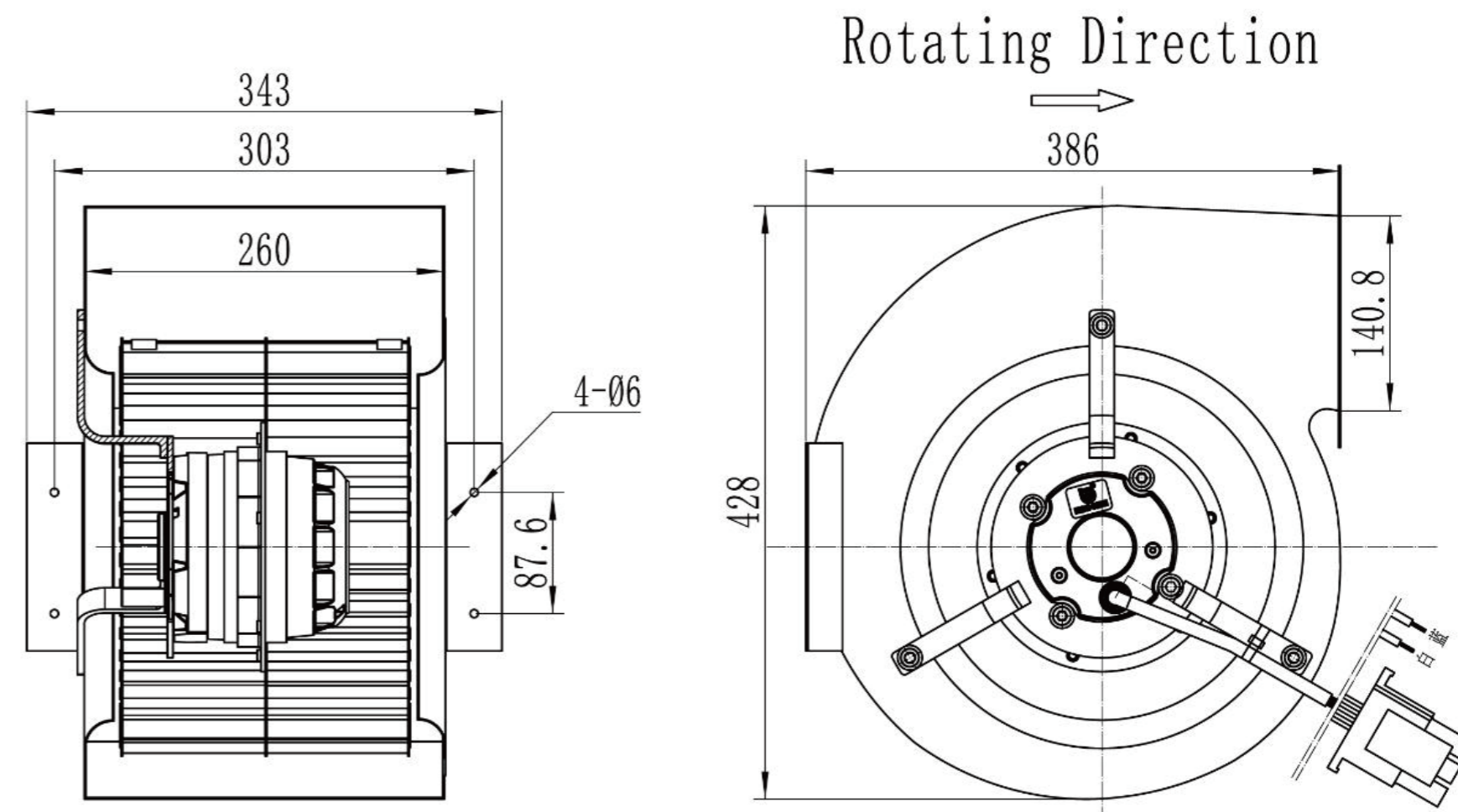
- Material : Metal
- Mode of operation: S1
- Type of operation: IP54
- Insulation class: F
- Bearing: Maintenance-free ball bearings
- Operation Temperature: -30~+60 C



## Technical Specifications

| Model              | Voltage (V) | Frequency (Hz) | Power (W) | Current (A) | Speed (RPM) | Air Flow (m³/h) | Air Pressure (Pa) | Noise [dB(A)] | Capacitor | Curve |
|--------------------|-------------|----------------|-----------|-------------|-------------|-----------------|-------------------|---------------|-----------|-------|
|                    |             |                | 386       | 1.68        | 480         | 1596            | 368               | /             | 8uF       | ①     |
| LWFA6E300-138DS-01 | 230         | 50             | 298       | 1.3         | 385         | 1297            | 273               | /             | 8uF       | ②     |
|                    |             |                | 259       | 1.13        | 310         | 1034            | 210               | /             | 8uF       | ③     |

## Product Drawing (mm)



# LWFA-146 Series

## Product Characteristic

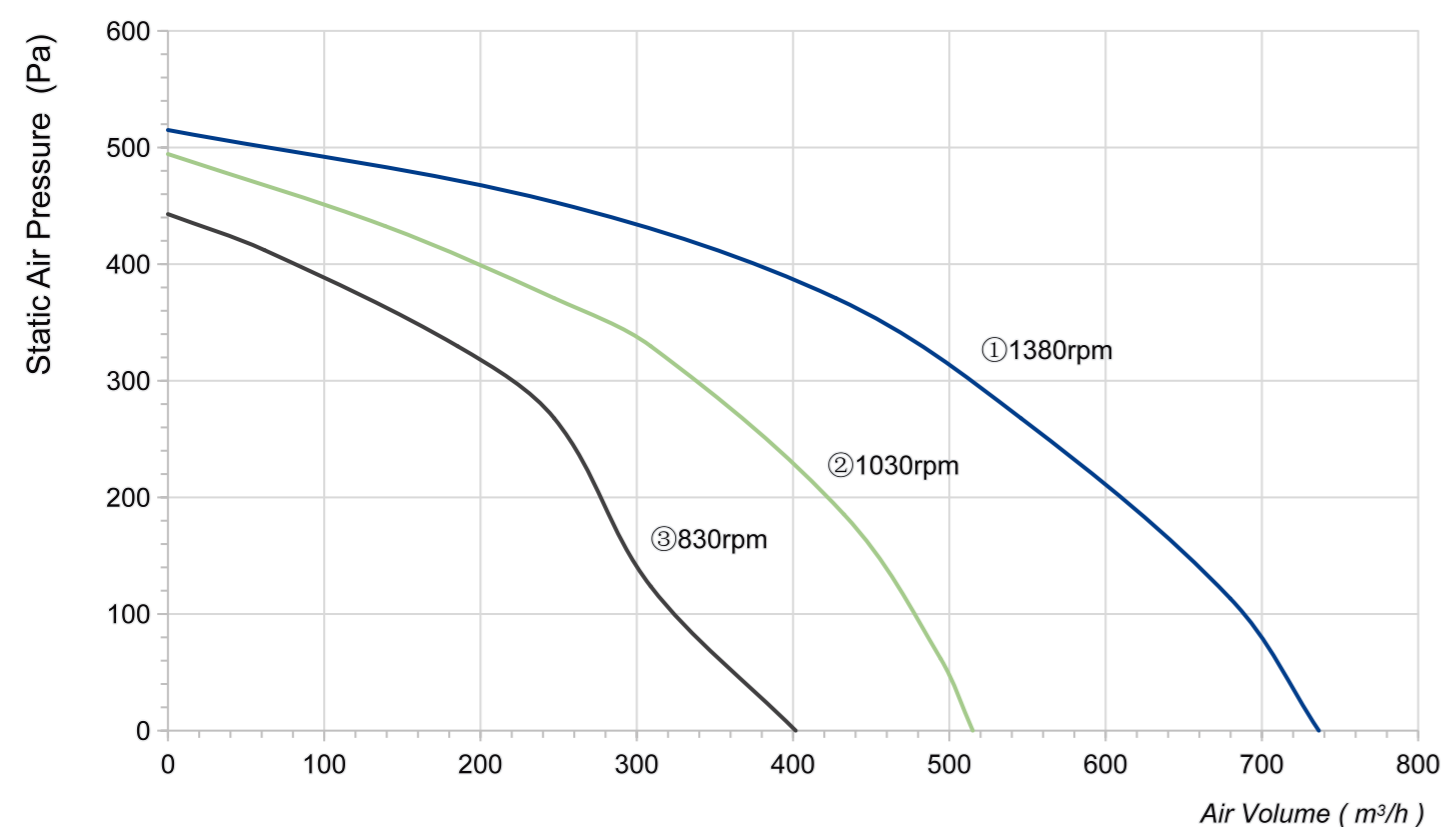
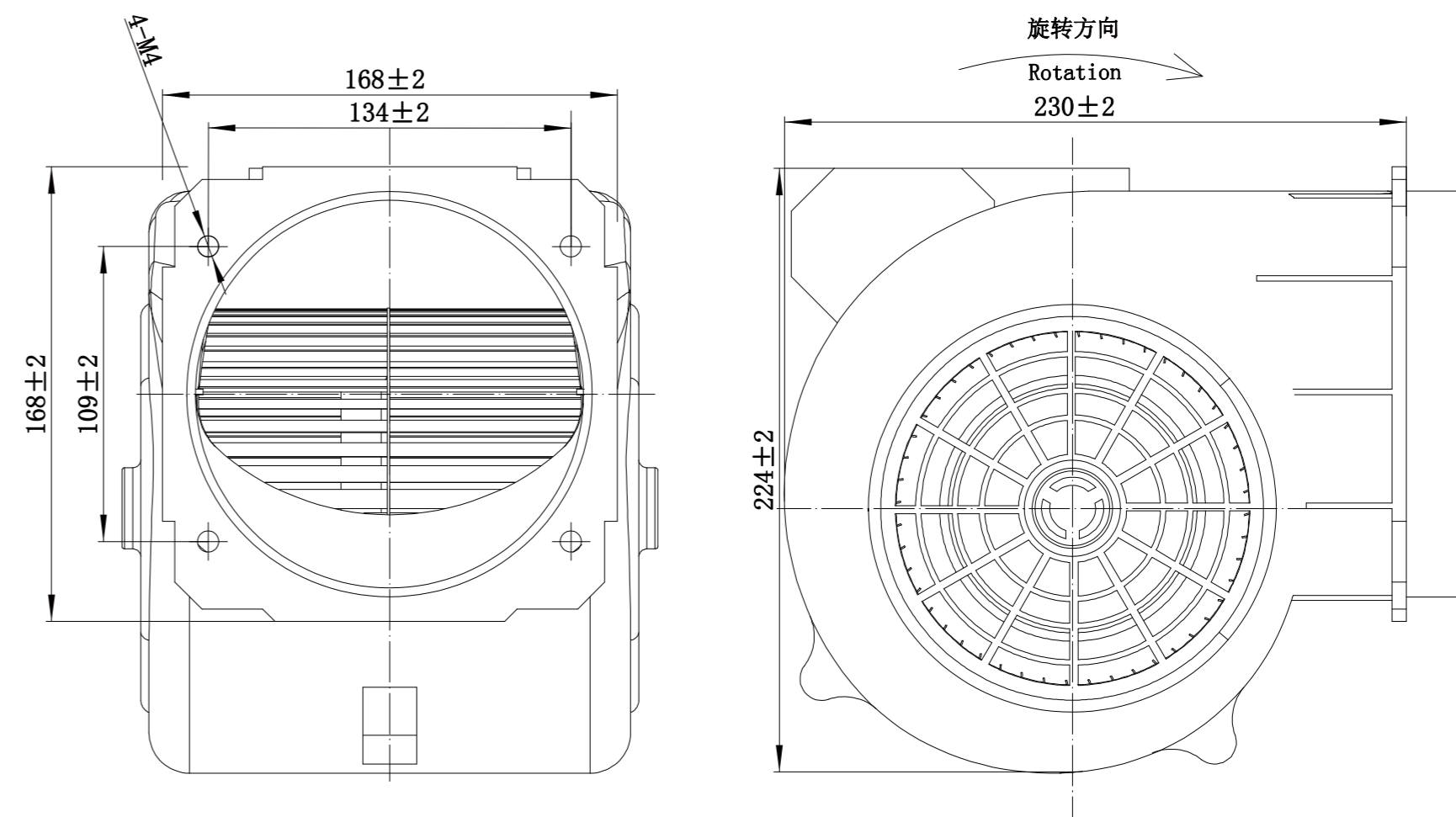
- Material : Plastic
- Mode of operation: S1
- Type of operation: IP54
- Insulation class: F
- Bearing: Maintenance-free ball bearings
- Operation Temperature: -30~+60 C



## Technical Specifications

| Model              | Voltage (V) | Frequency (Hz) | Power (W) | Current (A) | Speed (RPM) | Air Flow (m³/h) | Air Pressure (Pa) | Noise [dB(A)] | Capacitor | Curve |
|--------------------|-------------|----------------|-----------|-------------|-------------|-----------------|-------------------|---------------|-----------|-------|
|                    |             |                | 235       | 1.1         | 1380        | 736             | 515               | 57            | 4uF       | ①     |
| LWFA2E146-092DS-10 | 230         | 50             | 195       | 0.95        | 1030        | 515             | 494               | 48            | 4uF       | ②     |
|                    |             |                | 165       | 0.75        | 830         | 402             | 443               | 42            | 4uF       | ③     |

## Product Drawing (mm)



# LWFA-146 Series

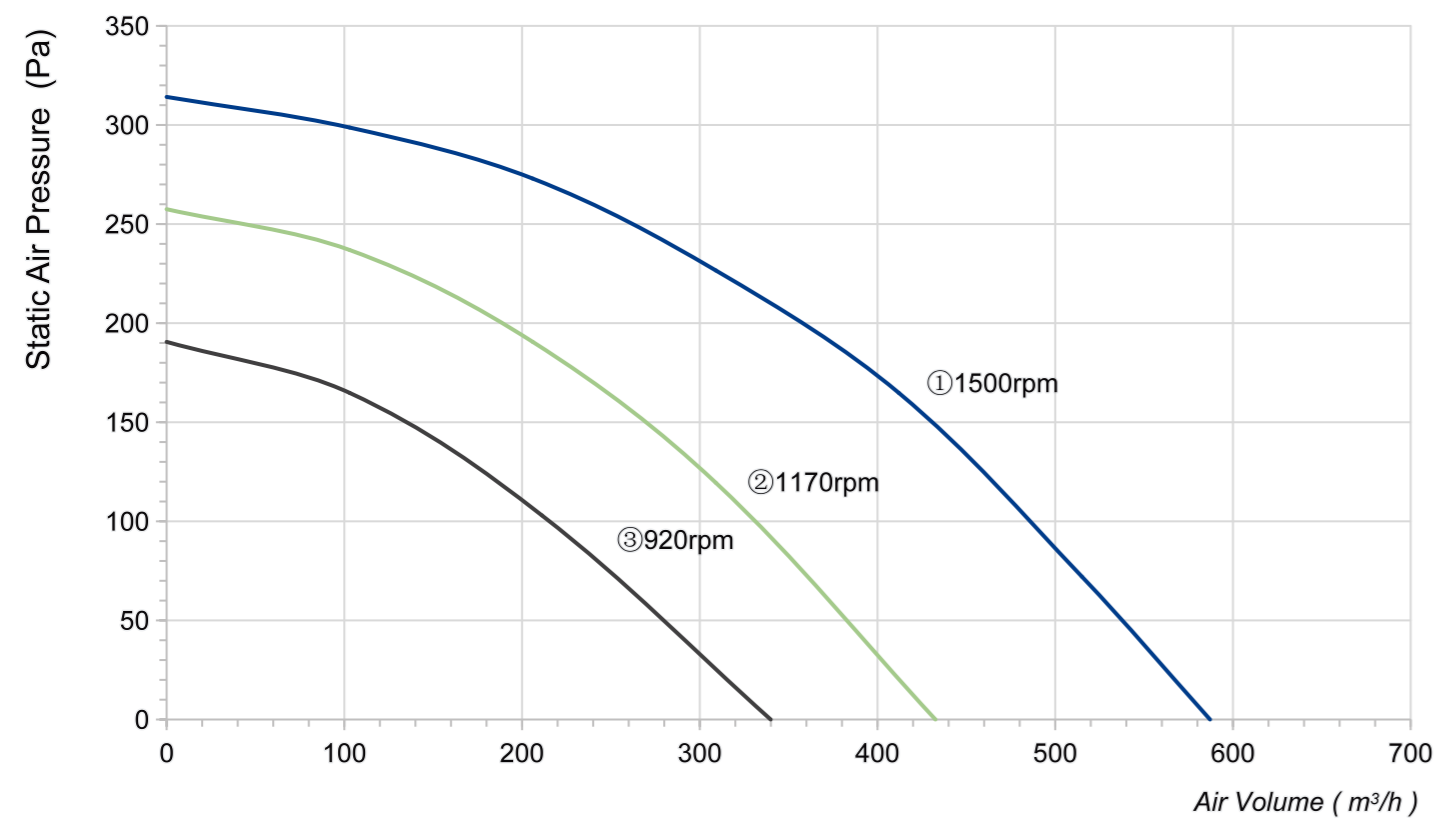
## Product Characteristic

- Material : Plastic
- Mode of operation: S1
- Type of operation: IP54
- Insulation class: F
- Bearing: Maintenance-free ball bearings
- Operation Temperature: -30~+60 C

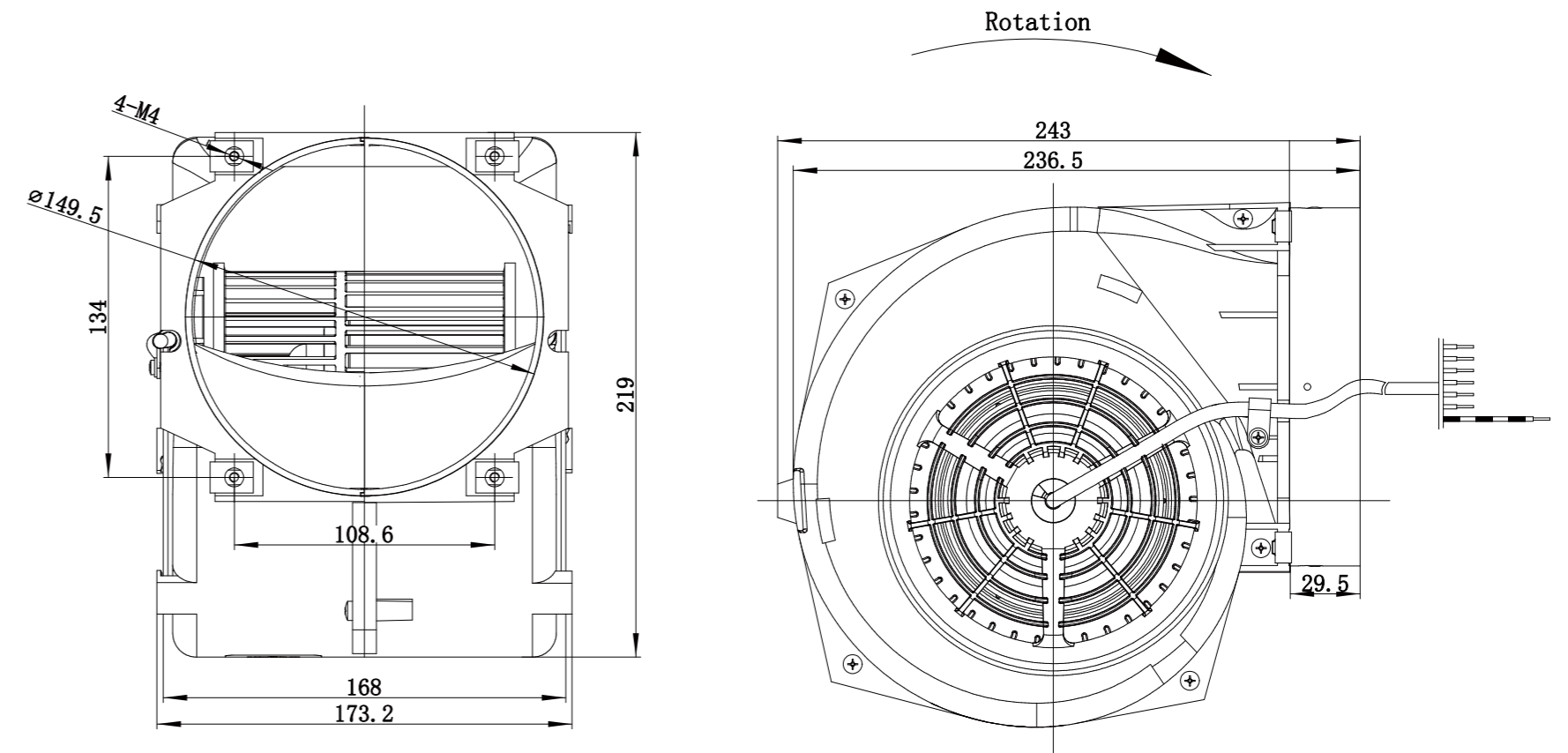


## Technical Specifications

| Model              | Voltage (V) | Frequency (Hz) | Power (W) | Current (A) | Speed (RPM) | Air Flow (m³/h) | Air Pressure (Pa) | Noise [dB(A)] | Capacitor | Curve |
|--------------------|-------------|----------------|-----------|-------------|-------------|-----------------|-------------------|---------------|-----------|-------|
|                    |             |                | 125       | 0.53        | 1500        | 587             | 314               | 61            | 4/450uF   | ①     |
| LWFA2E146-092DS-11 | 230         | 50             | 93        | 0.43        | 1170        | 433             | 258               | 58            | 4/450uF   | ②     |
|                    |             |                | 79        | 0.38        | 920         | 340             | 191               | 55            | 4/450uF   | ③     |



## Product Drawing (mm)



# LWFA-146 Series

## Product Characteristic

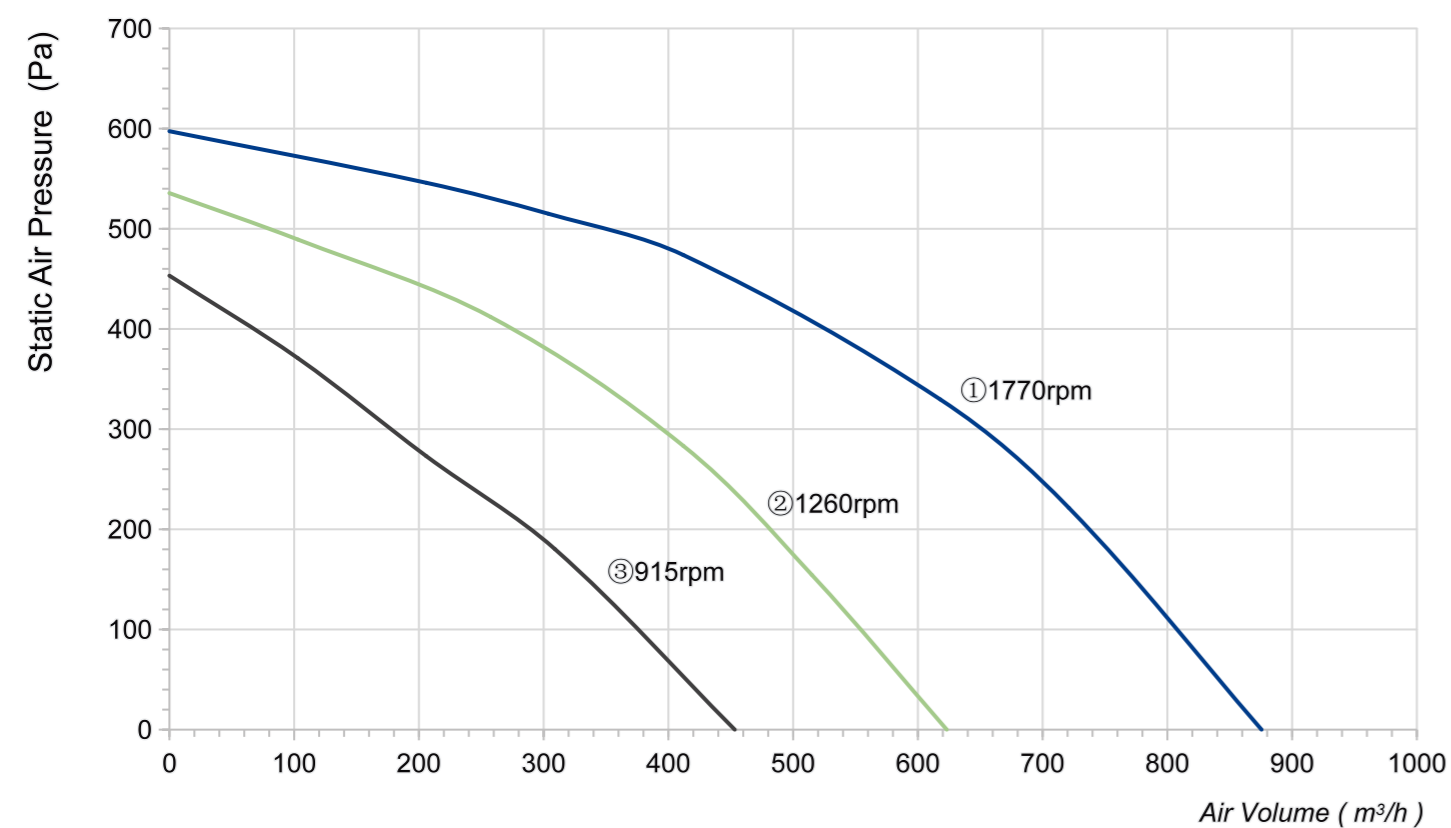
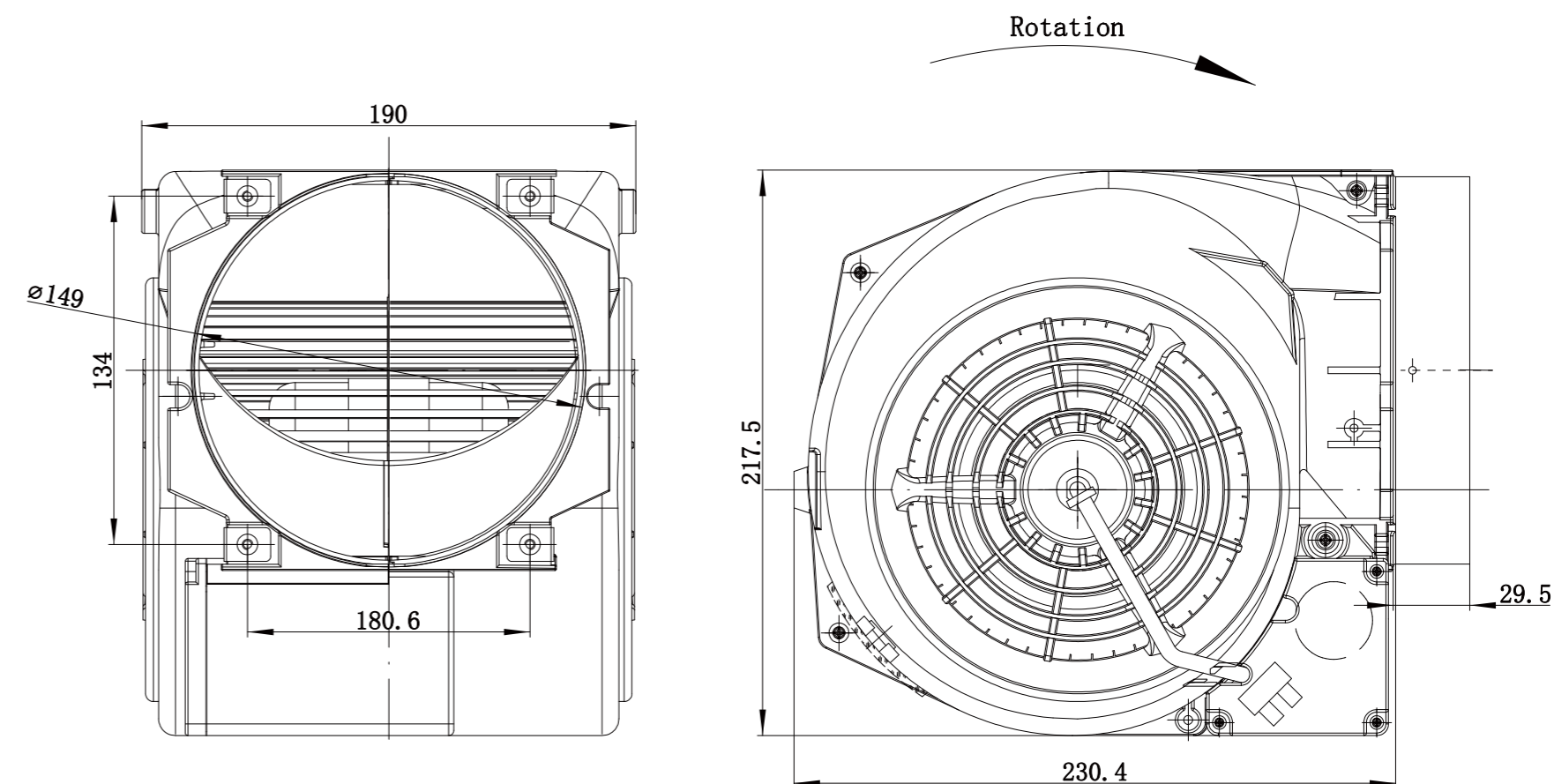
- Material : Plastic
- Mode of operation: S1
- Type of operation: IP54
- Insulation class: F
- Bearing: Maintenance-free ball bearings
- Operation Temperature: -30~+60 C



## Technical Specifications

| Model              | Voltage (V) | Frequency (Hz) | Power (W) | Current (A) | Speed (RPM) | Air Flow (m³/h) | Air Pressure (Pa) | Noise [dB(A)] | Capacitor | Curve |
|--------------------|-------------|----------------|-----------|-------------|-------------|-----------------|-------------------|---------------|-----------|-------|
|                    |             |                | 288       | 1.36        | 1770        | 876             | 597               | 72            | 10uF      | ①     |
| LWFA2E146-092DS-12 | 220         | 60             | 213       | 1.09        | 1260        | 623             | 536               | 63            | 10uF      | ②     |
|                    |             |                | 180       | 0.96        | 915         | 453             | 453               | 55            | 10uF      | ③     |

## Product Drawing (mm)



# LWFA-146 Series

## Product Characteristic

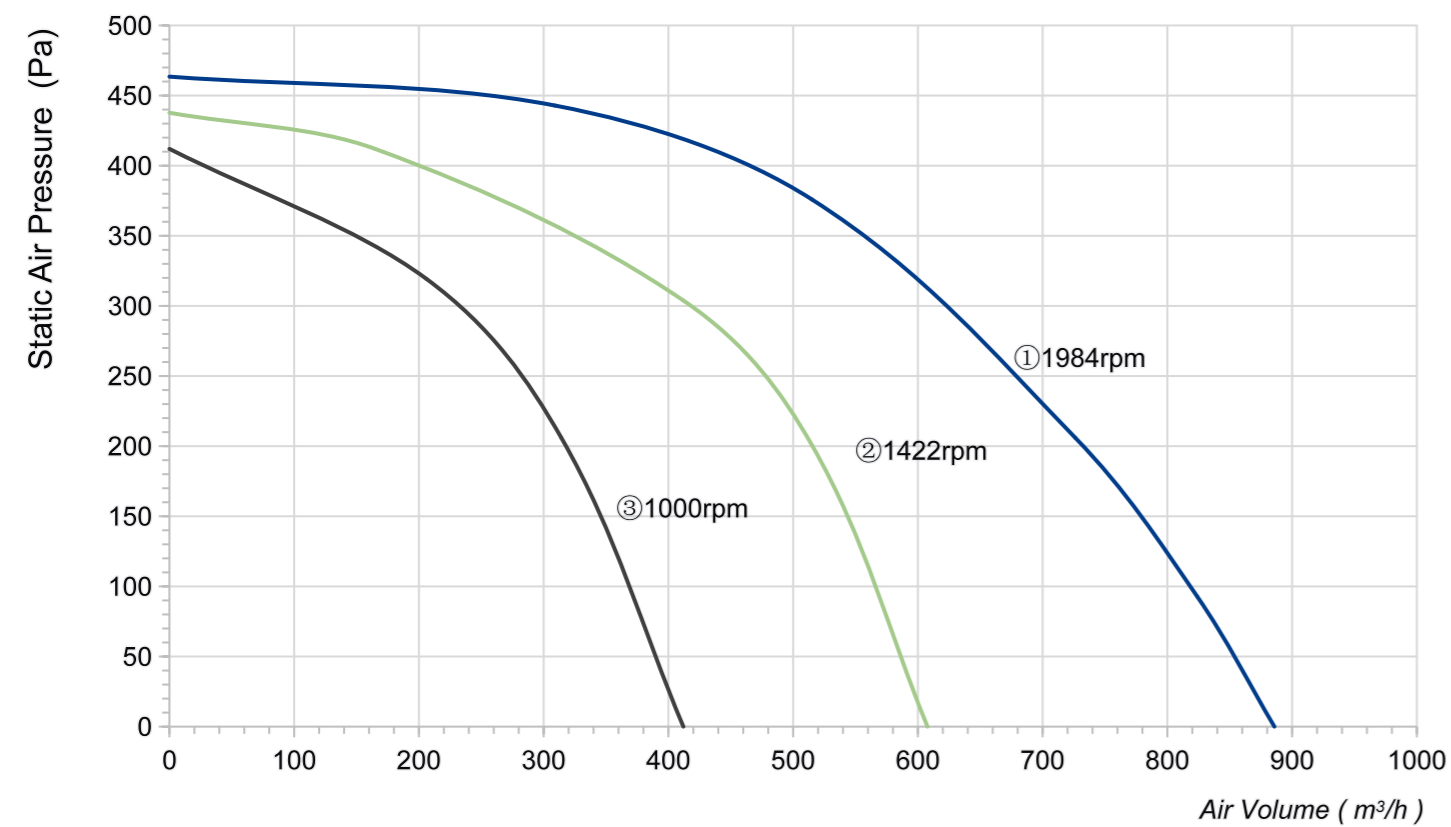
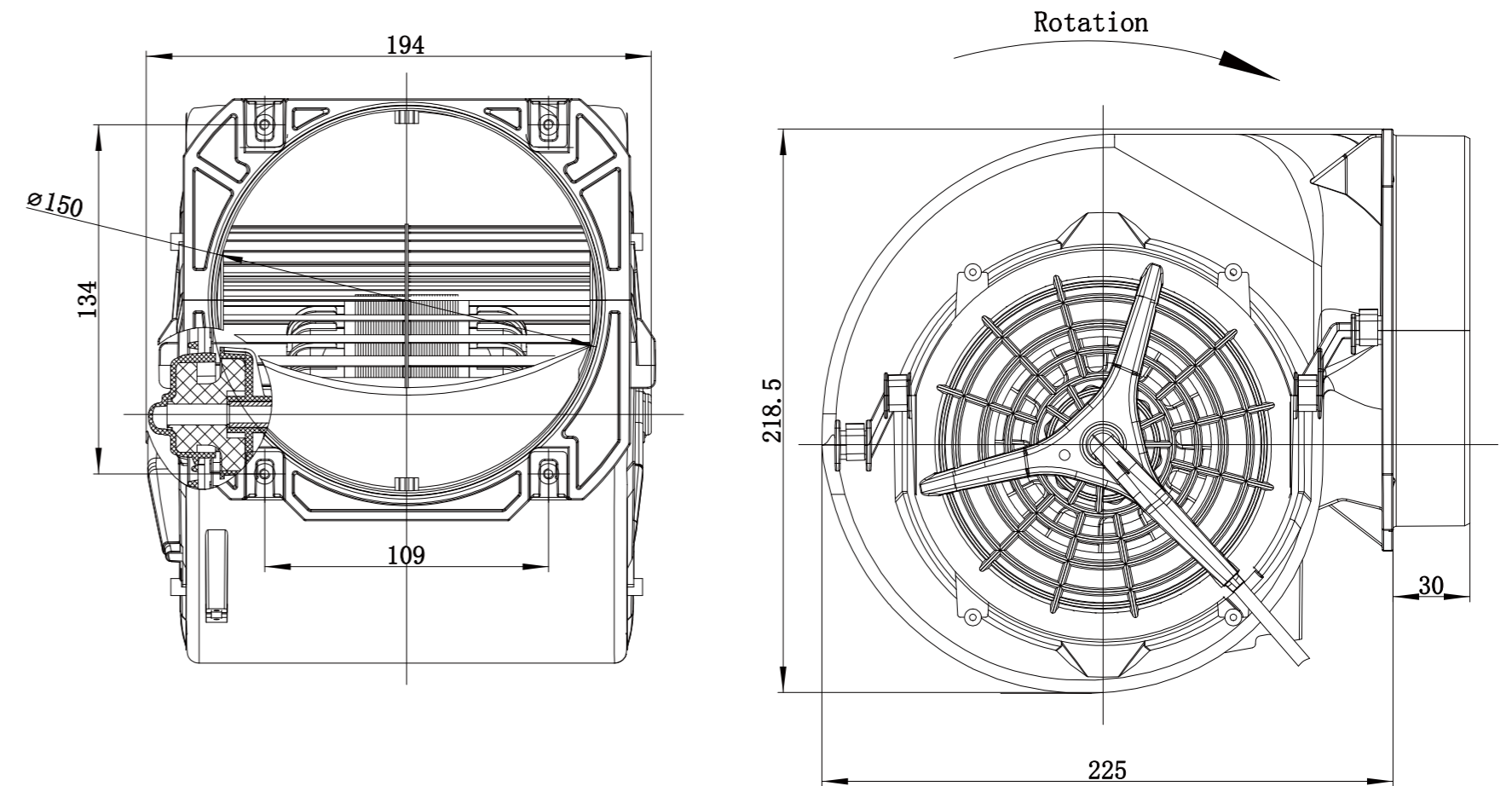
- Material : Plastic
- Mode of operation: S1
- Type of operation: IP54
- Insulation class: F
- Bearing: Maintenance-free ball bearings
- Operation Temperature: -30~+60 C



## Technical Specifications

| Model              | Voltage (V) | Frequency (Hz) | Power (W) | Current (A) | Speed (RPM) | Air Flow (m³/h) | Air Pressure (Pa) | Noise [dB(A)] | Capacitor | Curve |
|--------------------|-------------|----------------|-----------|-------------|-------------|-----------------|-------------------|---------------|-----------|-------|
|                    |             |                | 298       | 1.3         | 1984        | 886             | 464               | 73            | 10uF      | ①     |
| LWFA2E146-092DS-13 | 230         | 50             | 207       | 0.94        | 1422        | 608             | 438               | 62            | 10uF      | ②     |
|                    |             |                | 178       | 0.82        | 1000        | 412             | 412               | 55            | 10uF      | ③     |

## Product Drawing (mm)



# *EC Dual Inlet Forward Centrifugal Fans*

- Permanent magnet materials
- Chip stereoscopic heat dissipation
- Advanced 3D design impeller
- Oblique magnetization technology
- External rotor motor design
- IP54 Water-proof design



# LWFE-120 Series

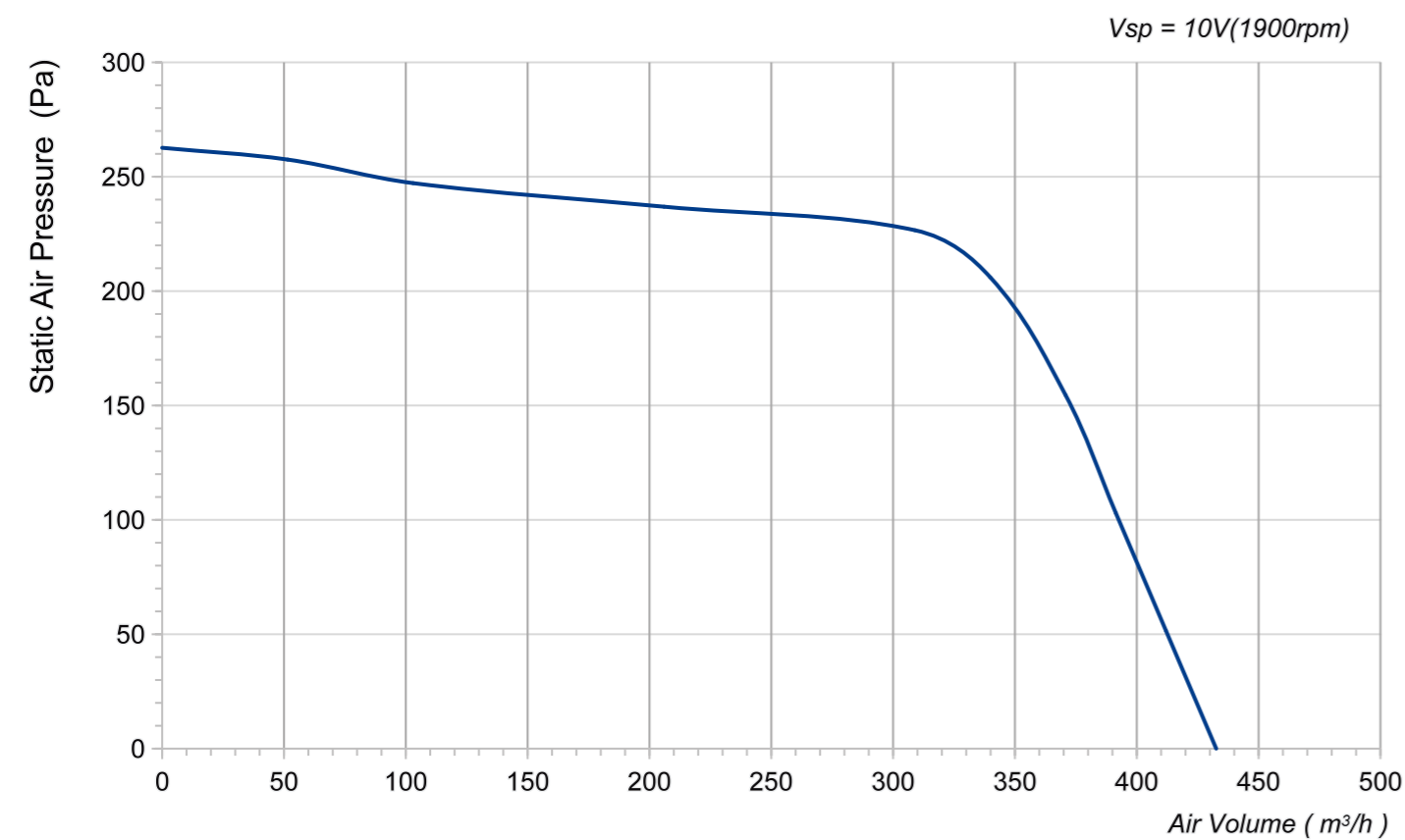
## Product Characteristic

- Material : Metal
- Mode of operation: S1
- Type of operation: IP54
- Insulation class: F
- Bearing: Maintenance-free ball bearings
- Operation Temperature: -30~+60 C

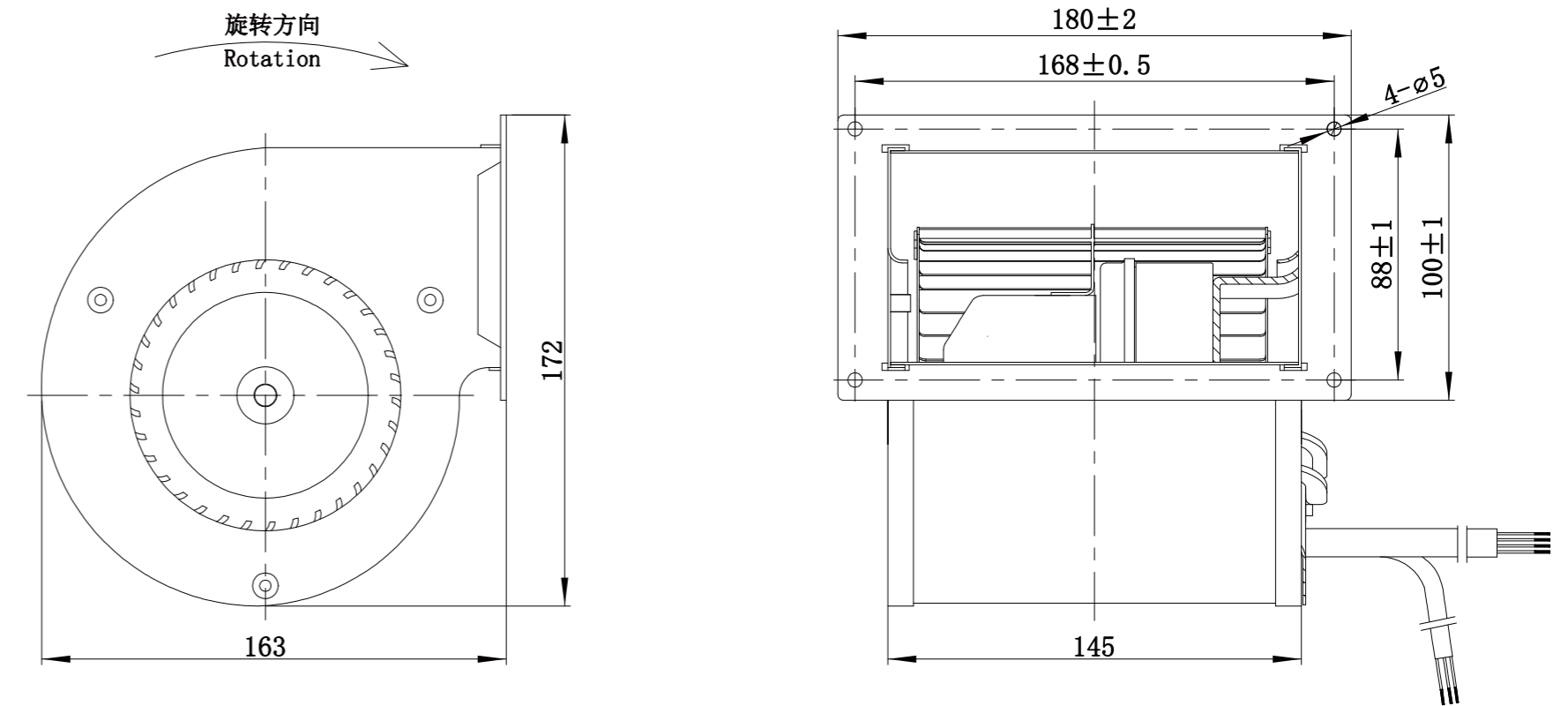


## Technical Specifications

| Model              | Voltage (V) | Frequency (Hz) | Power (W) | Current (A) | Speed (RPM) | Air Flow (m³/h) | Air Pressure (Pa) | Noise [dB(A)] | Curve |
|--------------------|-------------|----------------|-----------|-------------|-------------|-----------------|-------------------|---------------|-------|
| LWFE3G120-072DS-01 | 230         | 50/60          | 70        | 0.55        | 1900        | 433             | 263               | 59            | /     |



## Product Drawing (mm)



# LWFE-133 Series

## Product Characteristic

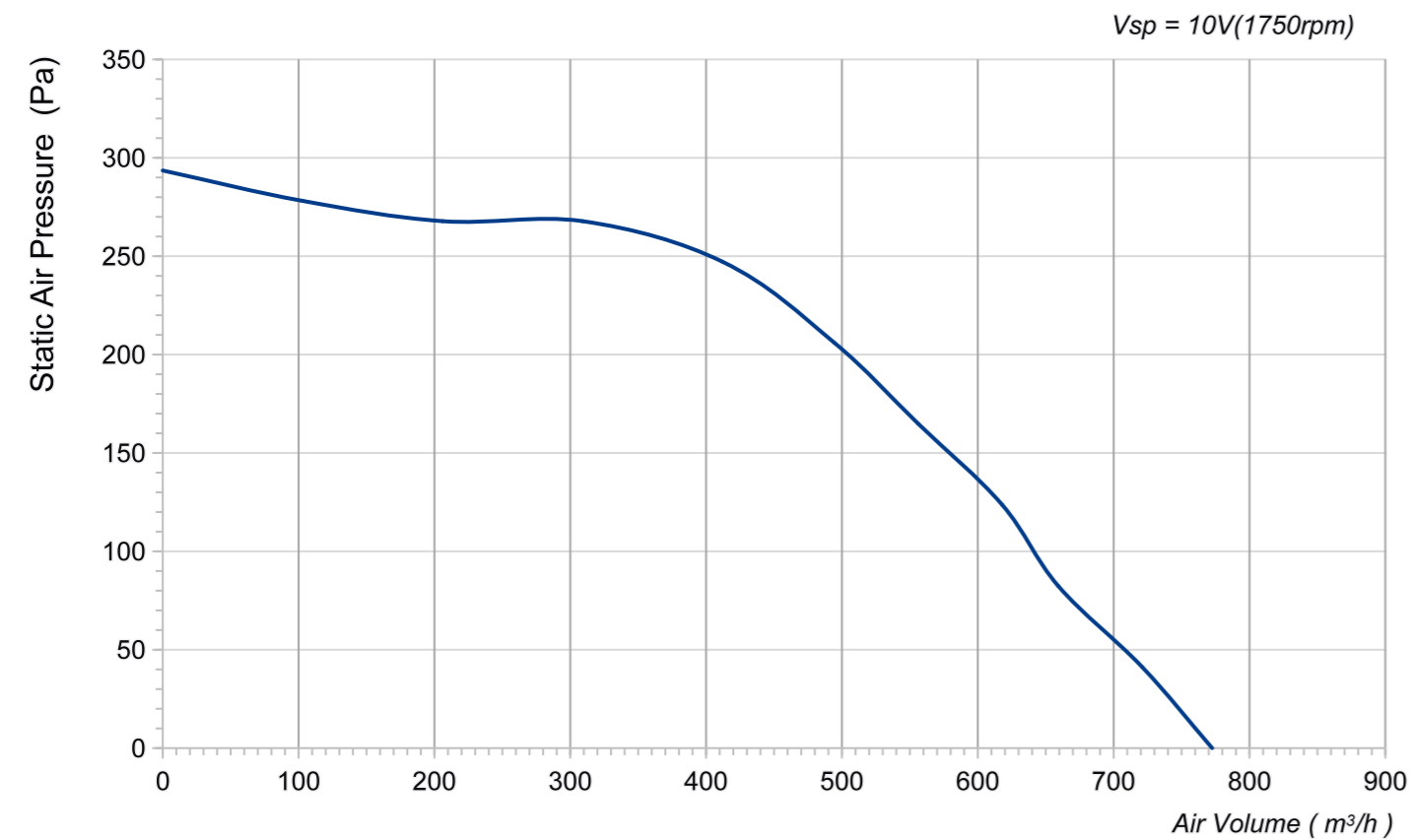
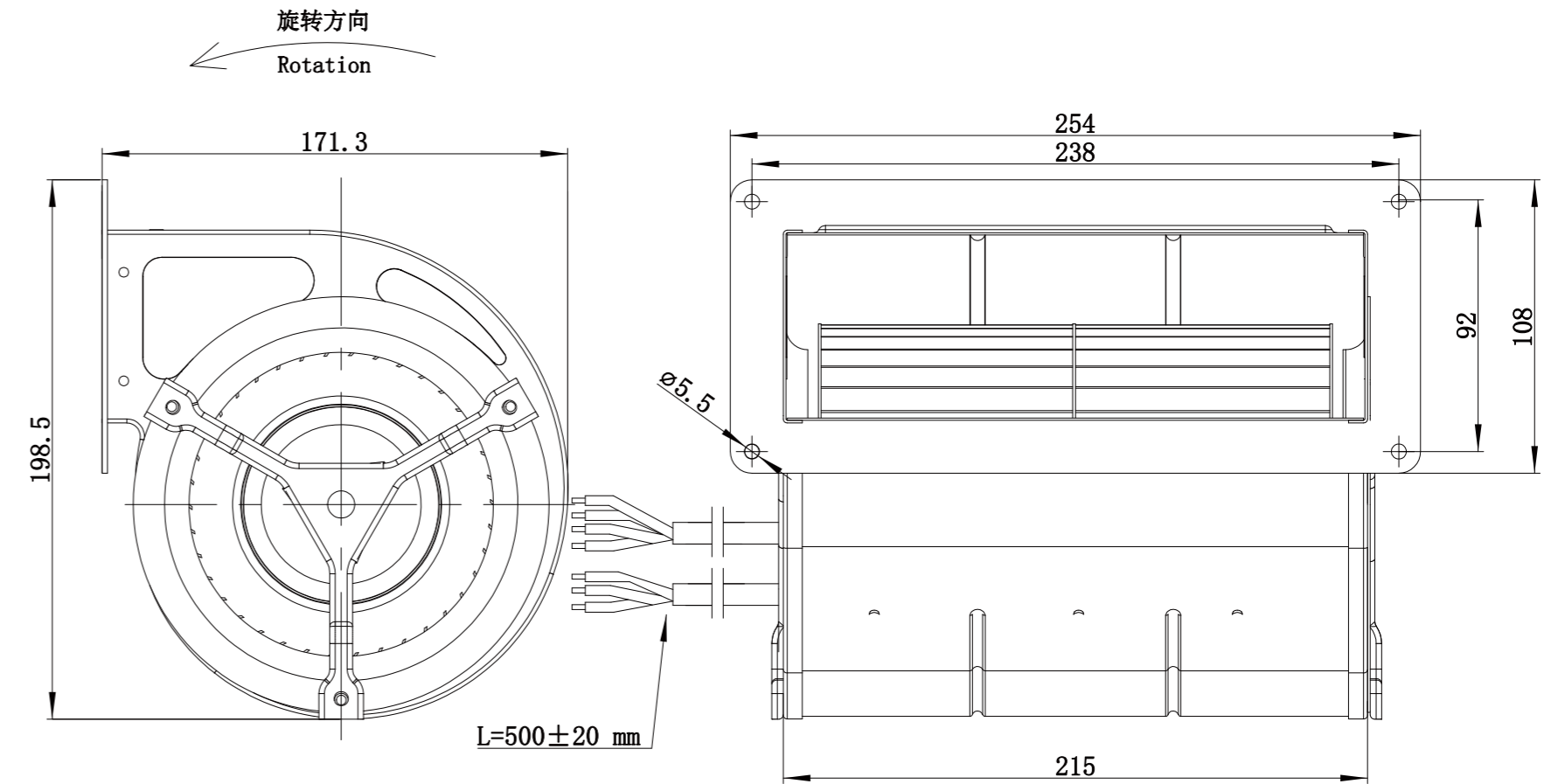
- Material : Metal
- Mode of operation: S1
- Type of operation: IP54
- Insulation class: F
- Bearing: Maintenance-free ball bearings
- Operation Temperature: -30~+60 C



## Technical Specifications

| Model              | Voltage (V) | Frequency (Hz) | Power (W) | Current (A) | Speed (RPM) | Air Flow (m³/h) | Air Pressure (Pa) | Noise [dB(A)] | Curve |
|--------------------|-------------|----------------|-----------|-------------|-------------|-----------------|-------------------|---------------|-------|
| LWFE3G133-072DS-01 | 230         | 50/60          | 105       | 0.8         | 1750        | 773             | 288               | 69            | /     |

## Product Drawing (mm)



# LWFE-133 Series

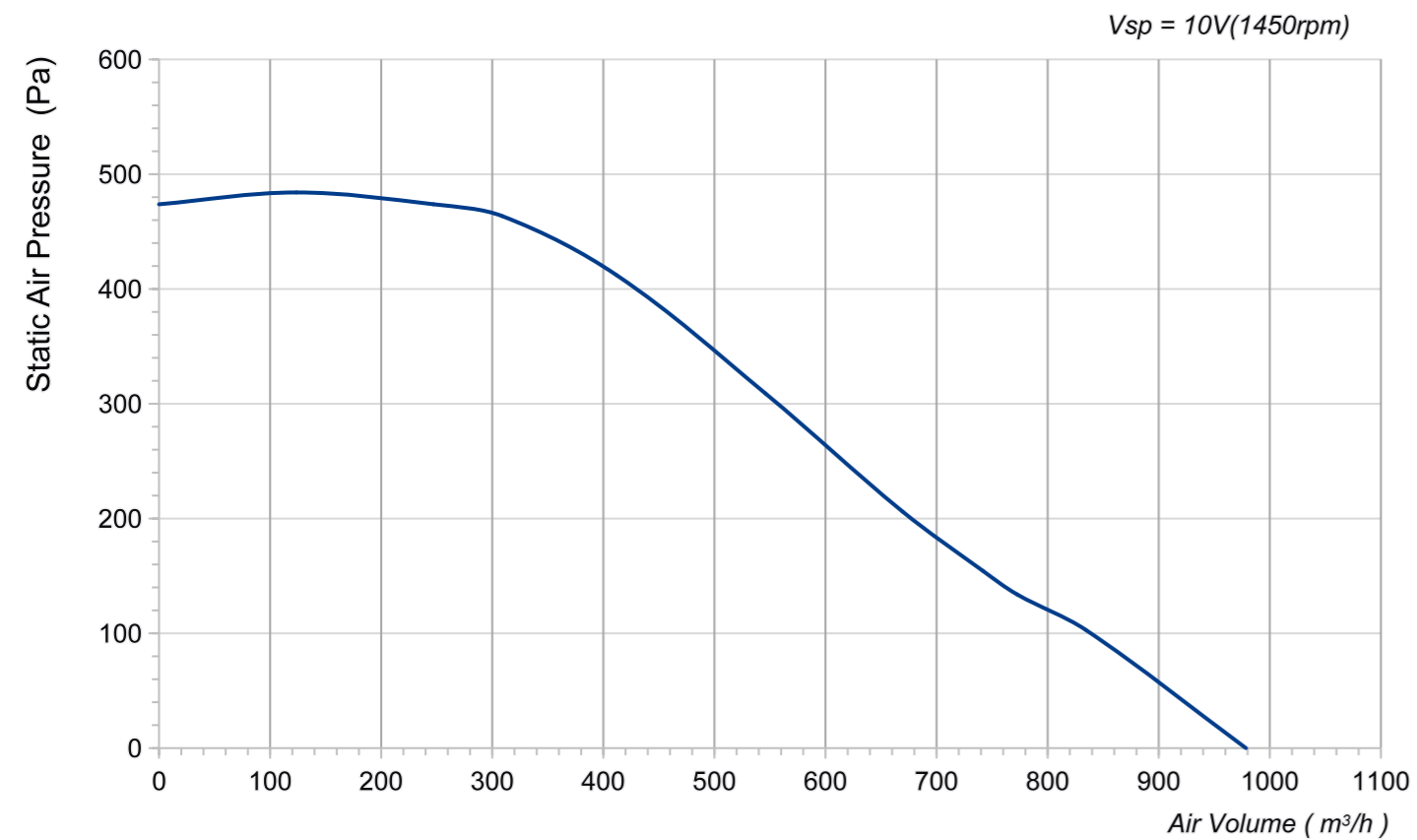
## Product Characteristic

- Material : Metal
- Mode of operation: S1
- Type of operation: IP54
- Insulation class: F
- Bearing: Maintenance-free ball bearings
- Operation Temperature: -30~+60 C

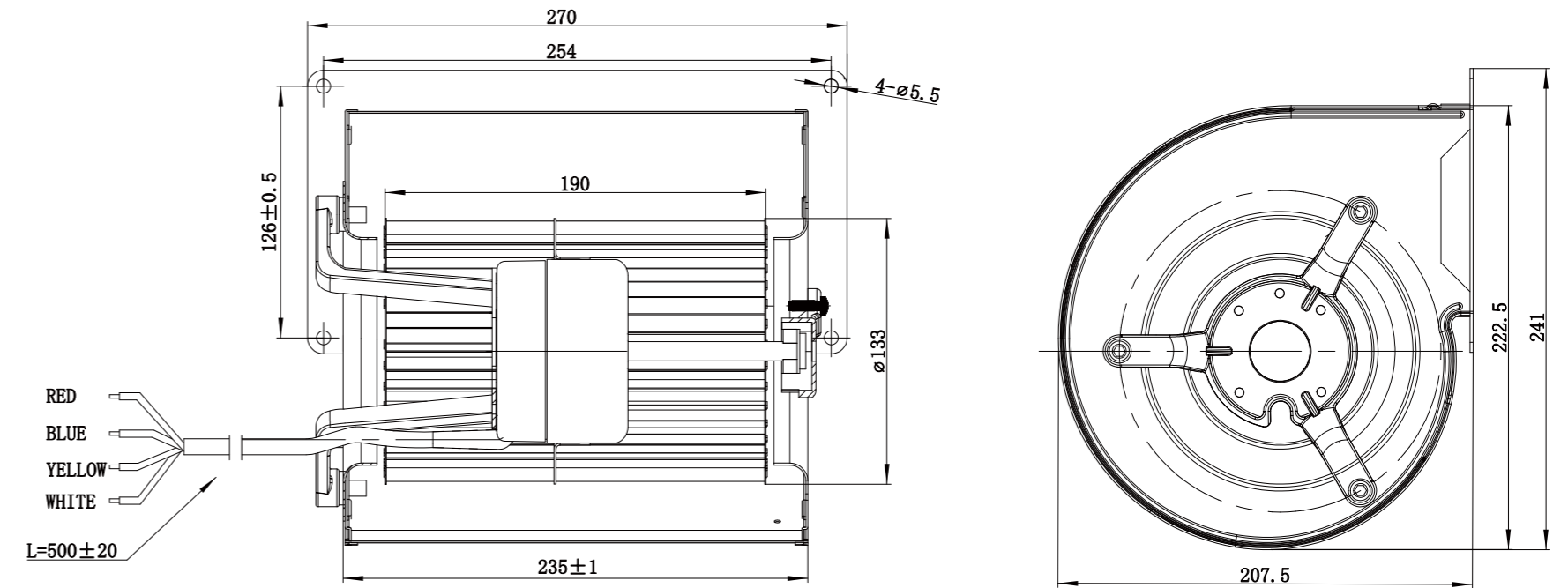


## Technical Specifications

| Model              | Voltage (V) | Frequency (Hz) | Power (W) | Current (A) | Speed (RPM) | Air Flow (m³/h) | Air Pressure (Pa) | Noise [dB(A)] | Curve |
|--------------------|-------------|----------------|-----------|-------------|-------------|-----------------|-------------------|---------------|-------|
| LWFE3G133-072DS-02 | 230         | 50/60          | 120       | 0.95        | 1450        | 979             | 484               | 70            | /     |



## Product Drawing (mm)



# LWFE-133 Series

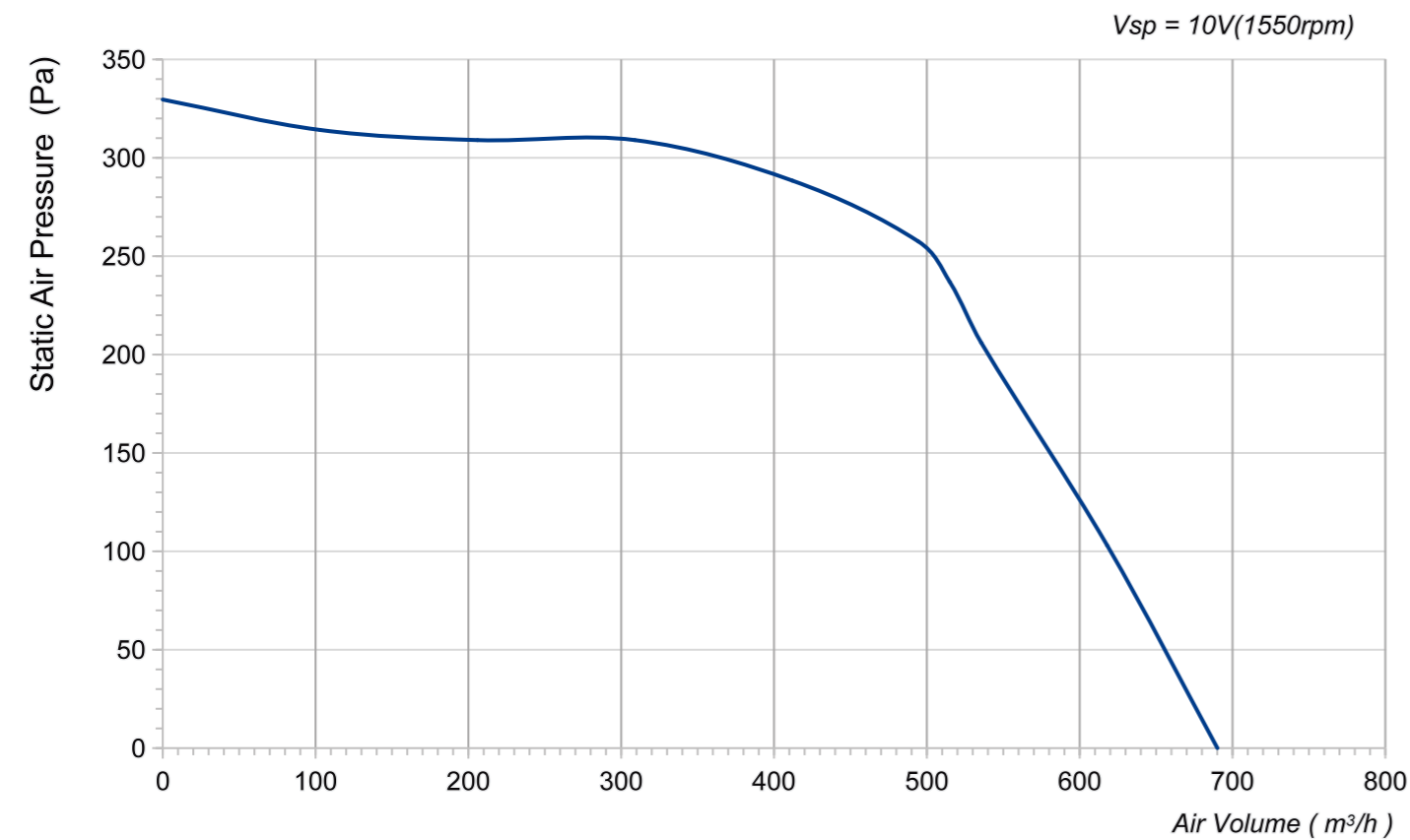
## Product Characteristic

- Material : Metal
- Mode of operation: S1
- Type of operation: IP54
- Insulation class: F
- Bearing: Maintenance-free ball bearings
- Operation Temperature: -30~+60 C

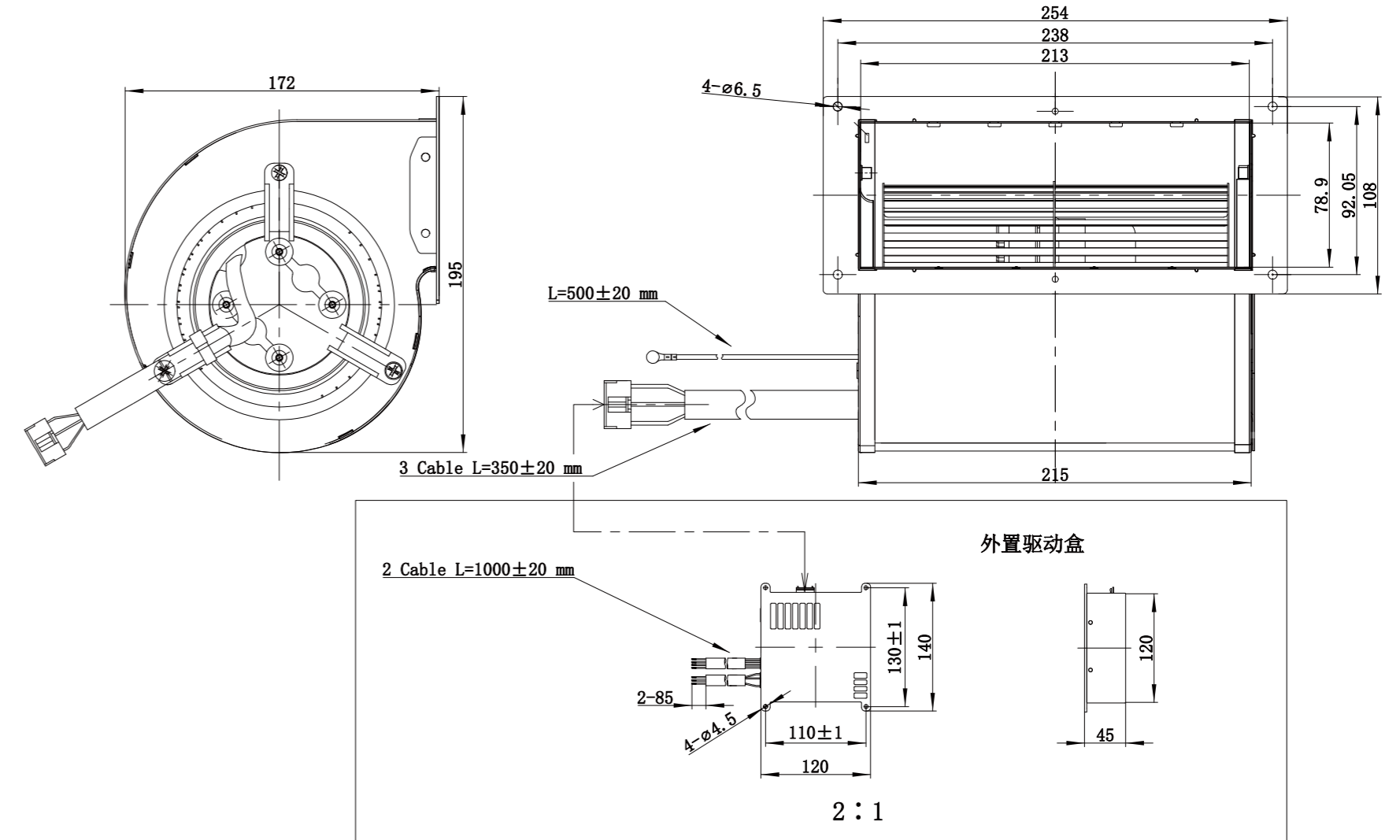


## Technical Specifications

| Model              | Voltage (V) | Frequency (Hz) | Power (W) | Current (A) | Speed (RPM) | Air Flow (m³/h) | Air Pressure (Pa) | Noise [dB(A)] | Curve |
|--------------------|-------------|----------------|-----------|-------------|-------------|-----------------|-------------------|---------------|-------|
| LWFE3G133-092DS-03 | 230         | 50/60          | 80        | 0.6         | 1550        | 690             | 330               | 69            | /     |



## Product Drawing (mm)



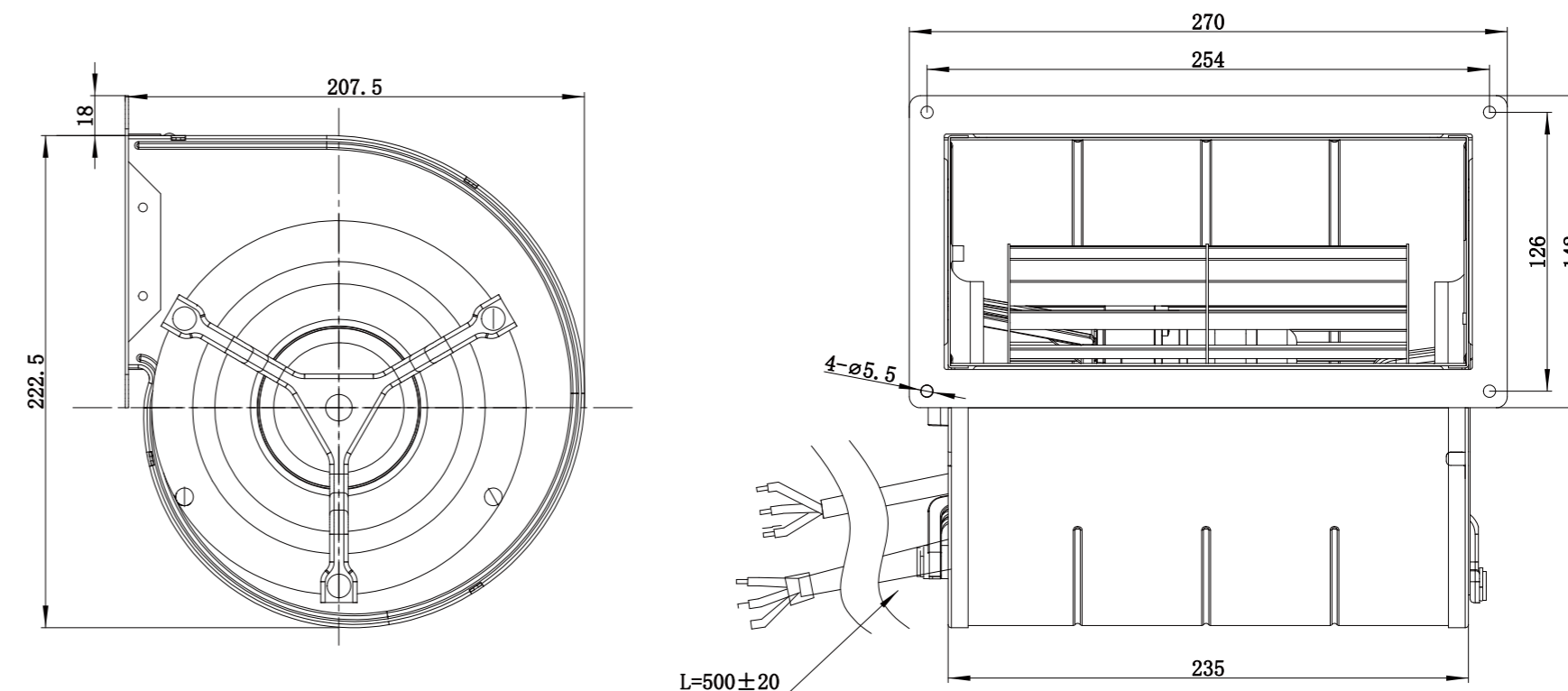
# LWFE-146 Series

## Product Characteristic

- Material : Metal
- Mode of operation: S1
- Type of operation: IP54
- Insulation class: F
- Bearing: Maintenance-free ball bearings
- Operation Temperature: -30~+60 C

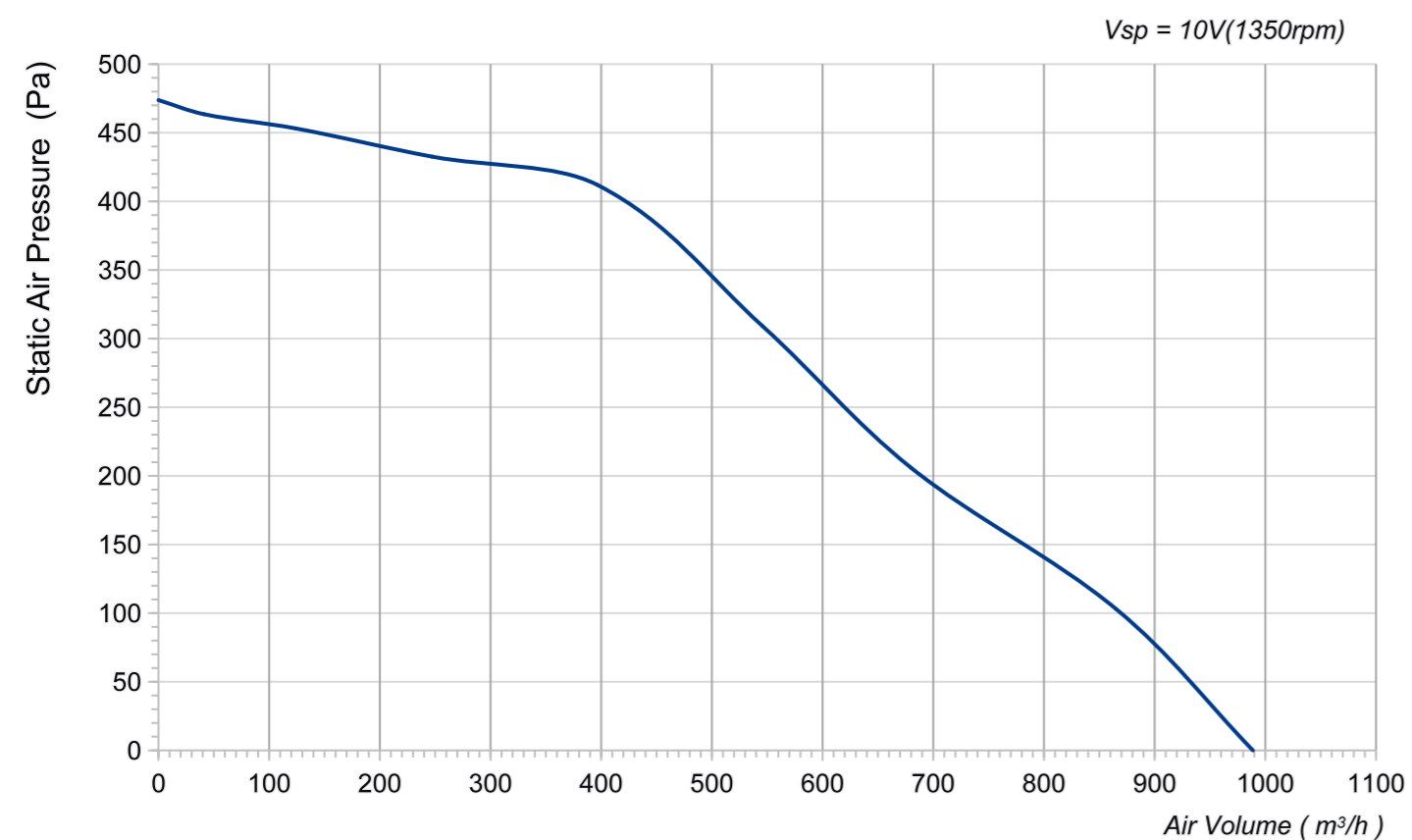


## Product Drawing (mm)



## Technical Specifications

| Model              | Voltage (V) | Frequency (Hz) | Power (W) | Current (A) | Speed (RPM) | Air Flow (m³/h) | Air Pressure (Pa) | Noise [dB(A)] | Curve |
|--------------------|-------------|----------------|-----------|-------------|-------------|-----------------|-------------------|---------------|-------|
| LWFE3G146-072DS-01 | 230         | 50/60          | 120       | 0.95        | 1350        | 989             | 474               | 72            | /     |



# LWFE-146 Series

## Product Characteristic

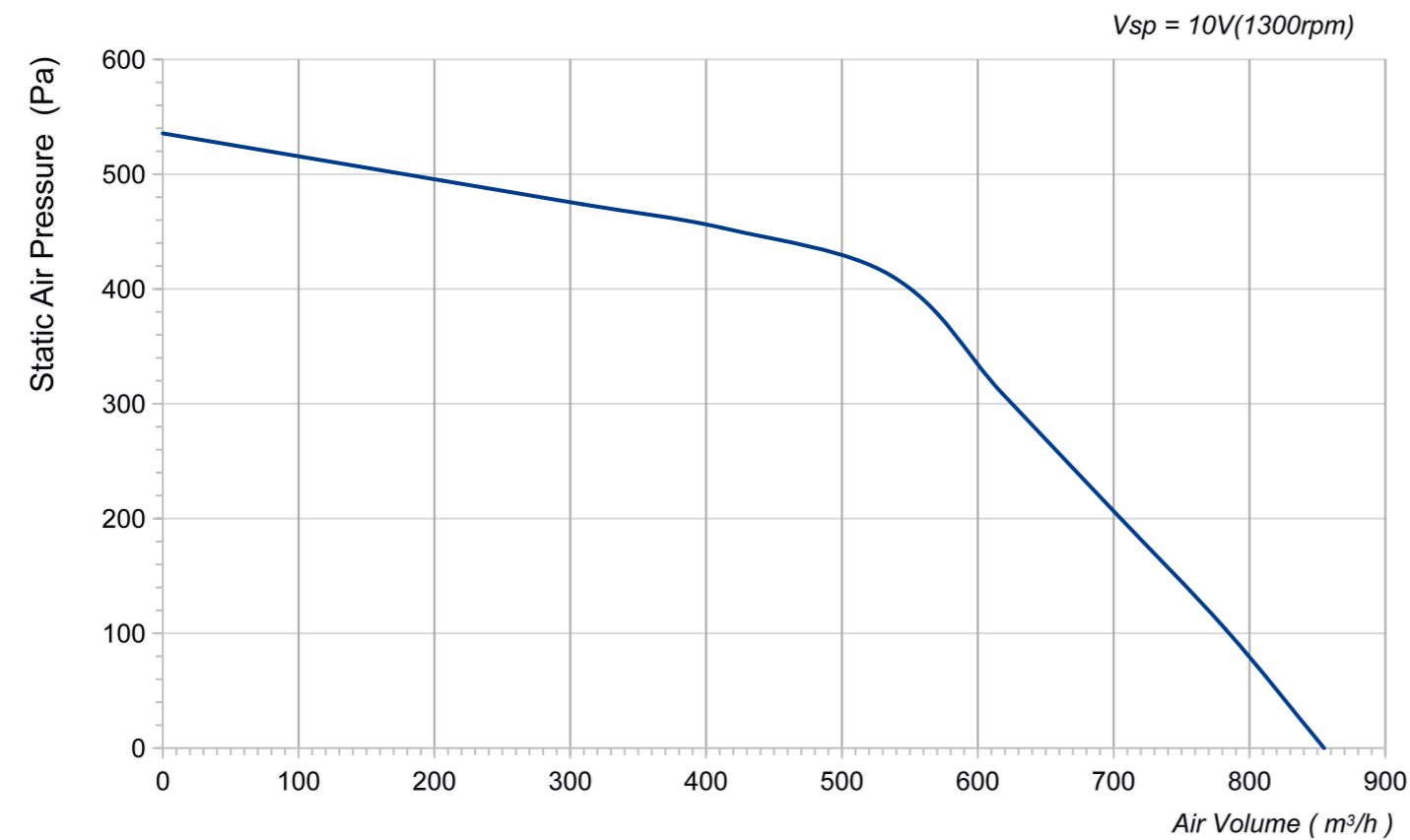
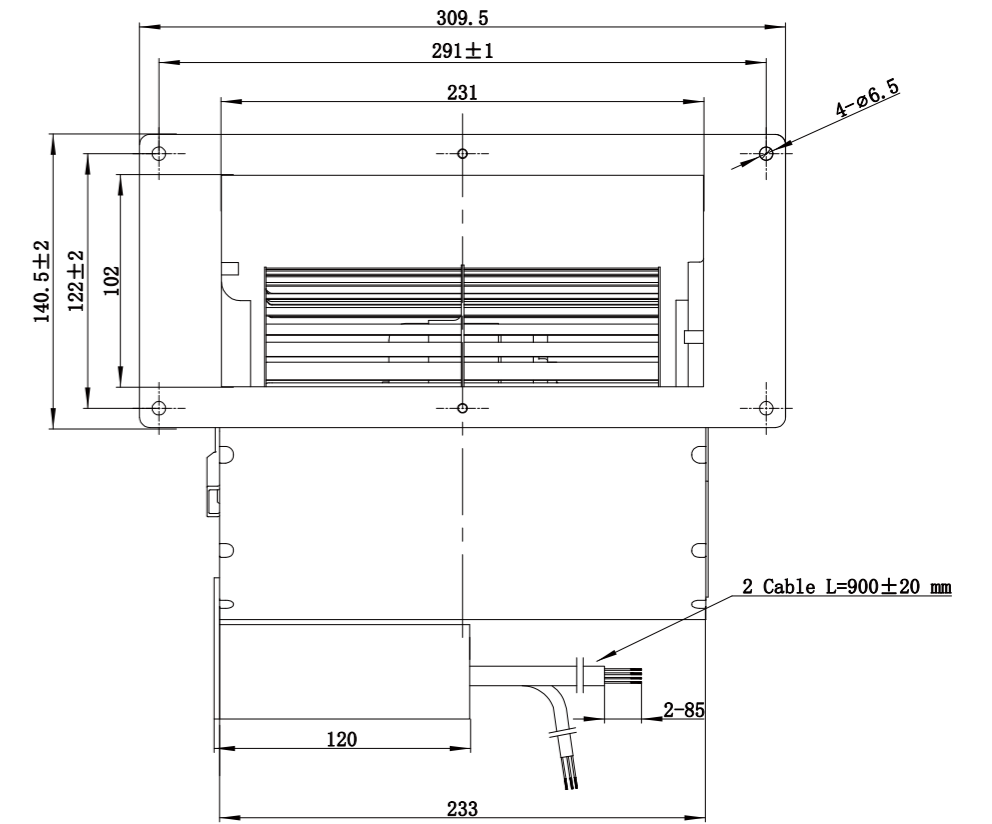
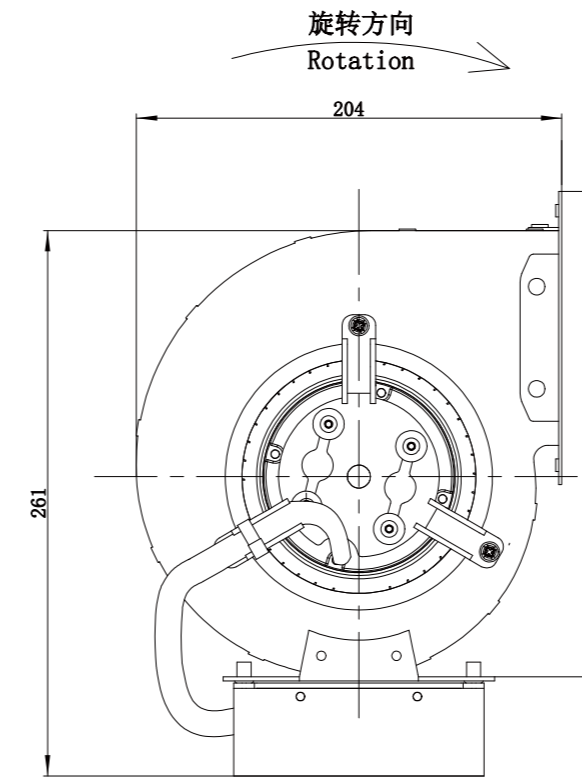
- Material : Metal
- Mode of operation: S1
- Type of operation: IP54
- Insulation class: F
- Bearing: Maintenance-free ball bearings
- Operation Temperature: -30~+60 C



## Technical Specifications

| Model              | Voltage (V) | Frequency (Hz) | Power (W) | Current (A) | Speed (RPM) | Air Flow (m³/h) | Air Pressure (Pa) | Noise [dB(A)] | Curve |
|--------------------|-------------|----------------|-----------|-------------|-------------|-----------------|-------------------|---------------|-------|
| LWFE3G146-092DS-02 | 230         | 50/60          | 80        | 0.6         | 1300        | 855             | 536               | 59            | /     |

## Product Drawing (mm)



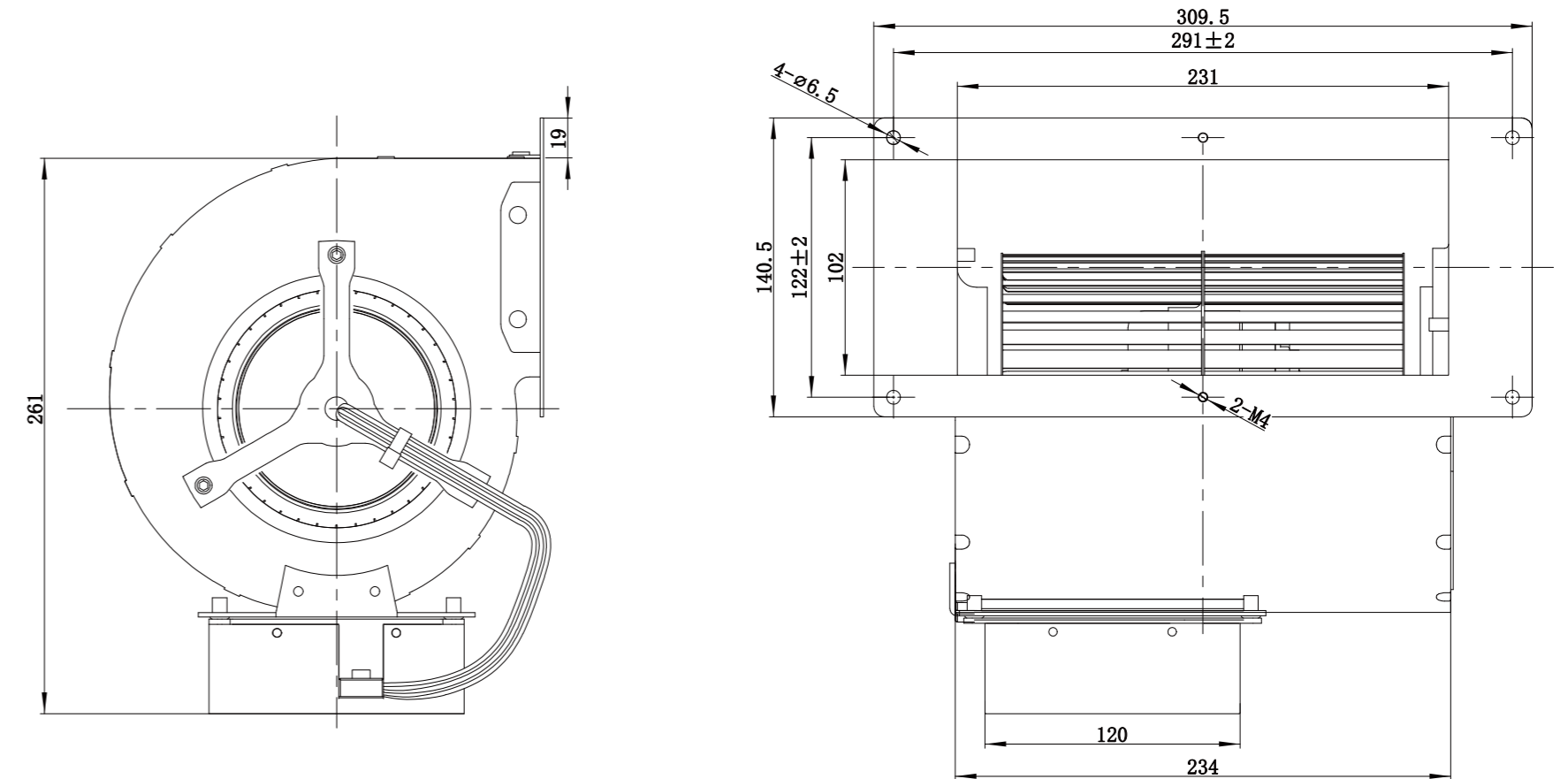
# LWFE-146 Series

## Product Characteristic

- Material : Metal
- Mode of operation: S1
- Type of operation: IP54
- Insulation class: F
- Bearing: Maintenance-free ball bearings
- Operation Temperature: -30~+60 C

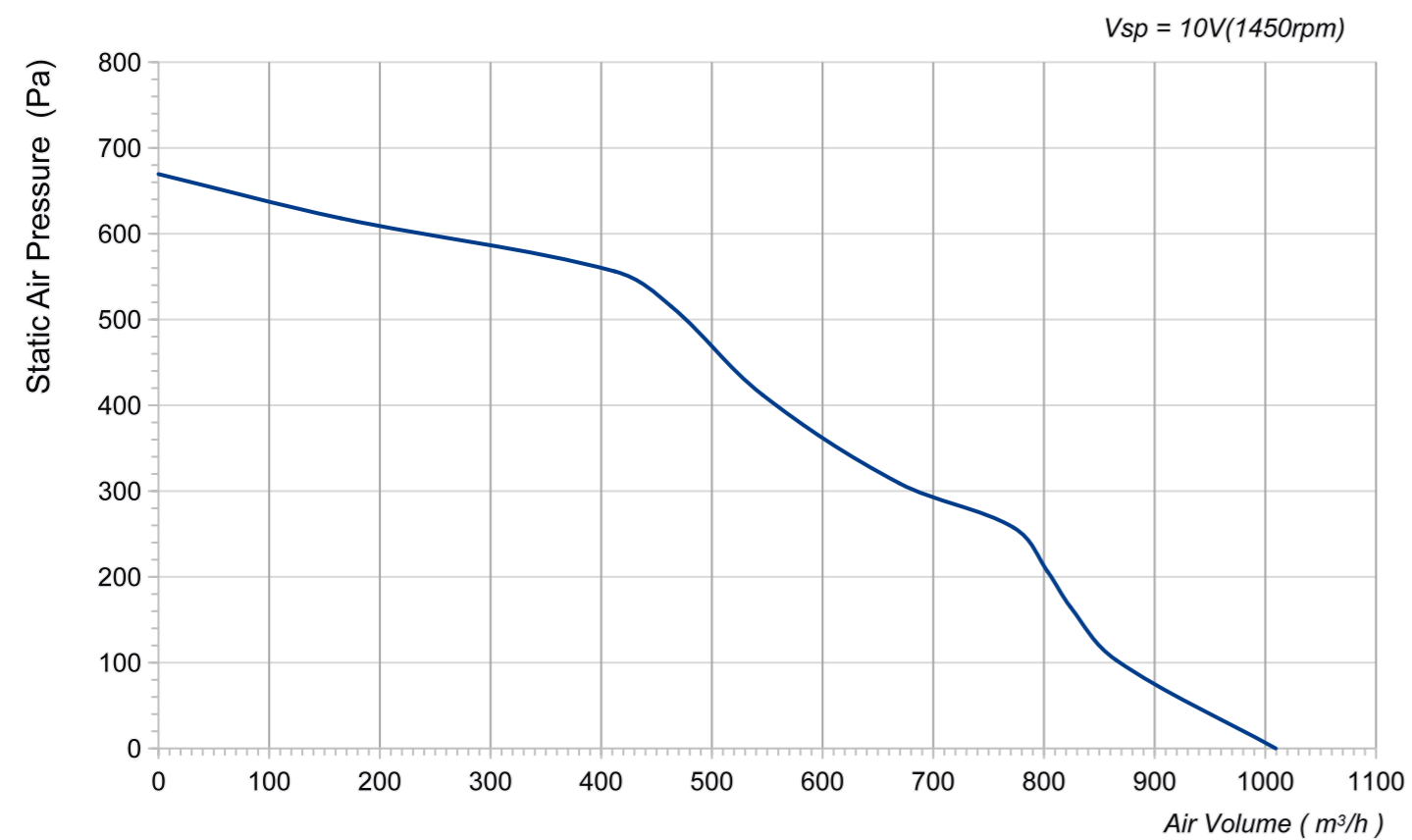


## Product Drawing (mm)



## Technical Specifications

| Model              | Voltage (V) | Frequency (Hz) | Power (W) | Current (A) | Speed (RPM) | Air Flow (m³/h) | Air Pressure (Pa) | Noise [dB(A)] | Curve |
|--------------------|-------------|----------------|-----------|-------------|-------------|-----------------|-------------------|---------------|-------|
| LWFE3G146-092DS-03 | 230         | 50/60          | 115       | 0.8         | 1450        | 1009            | 670               | 61            | /     |



# LWFE-180 Series

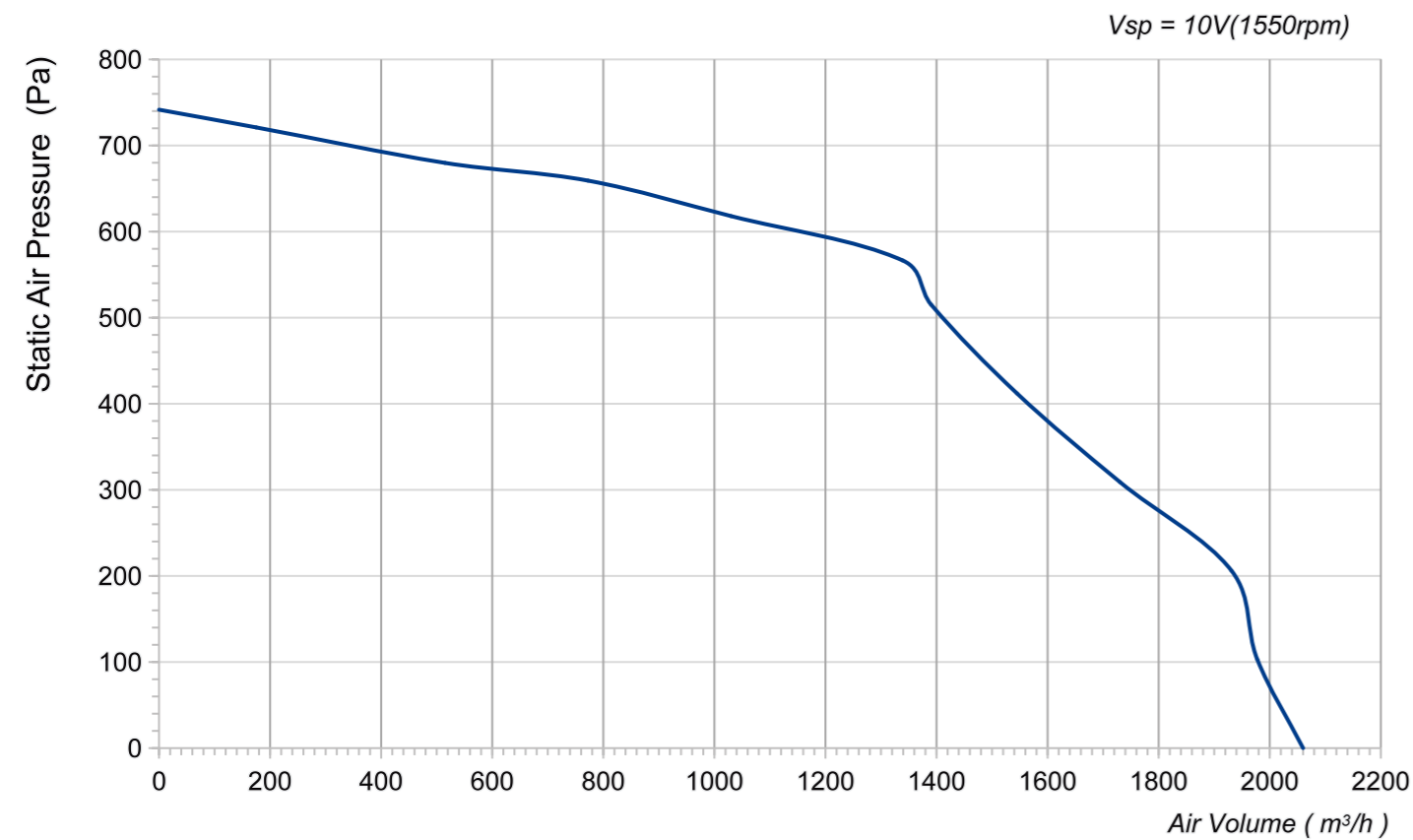
## Product Characteristic

- Material : Metal
- Mode of operation: S1
- Type of operation: IP54
- Insulation class: F
- Bearing: Maintenance-free ball bearings
- Operation Temperature: -30~+60 C

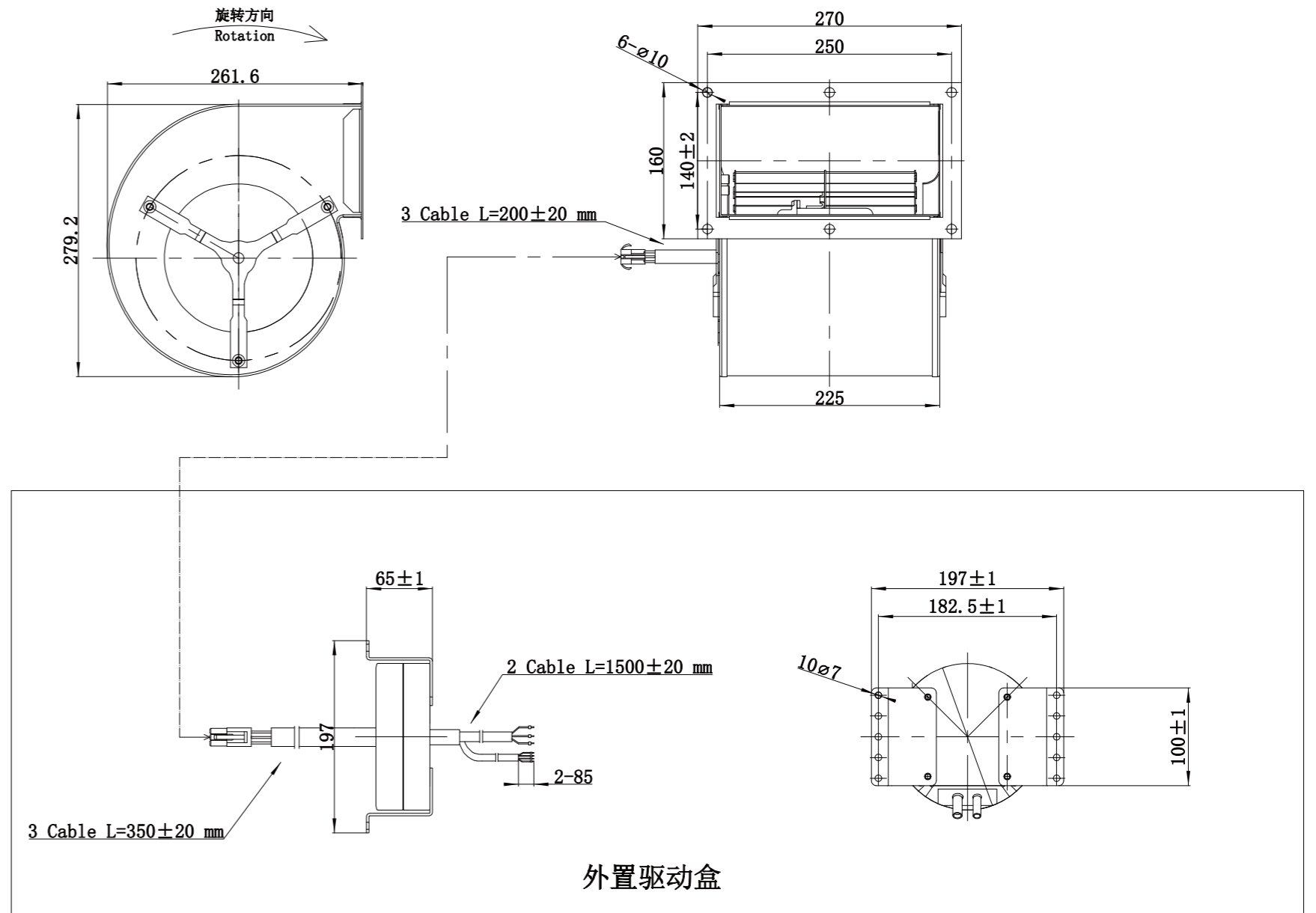


## Technical Specifications

| Model              | Voltage (V) | Frequency (Hz) | Power (W) | Current (A) | Speed (RPM) | Air Flow (m³/h) | Air Pressure (Pa) | Noise [dB(A)] | Curve |
|--------------------|-------------|----------------|-----------|-------------|-------------|-----------------|-------------------|---------------|-------|
| LWFE3G180-102DS-01 | 230         | 50/60          | 400       | 1.9         | 1550        | 2060            | 742               | 74            | /     |



## Product Drawing (mm)



# LWFE-180 Series

## Product Characteristic

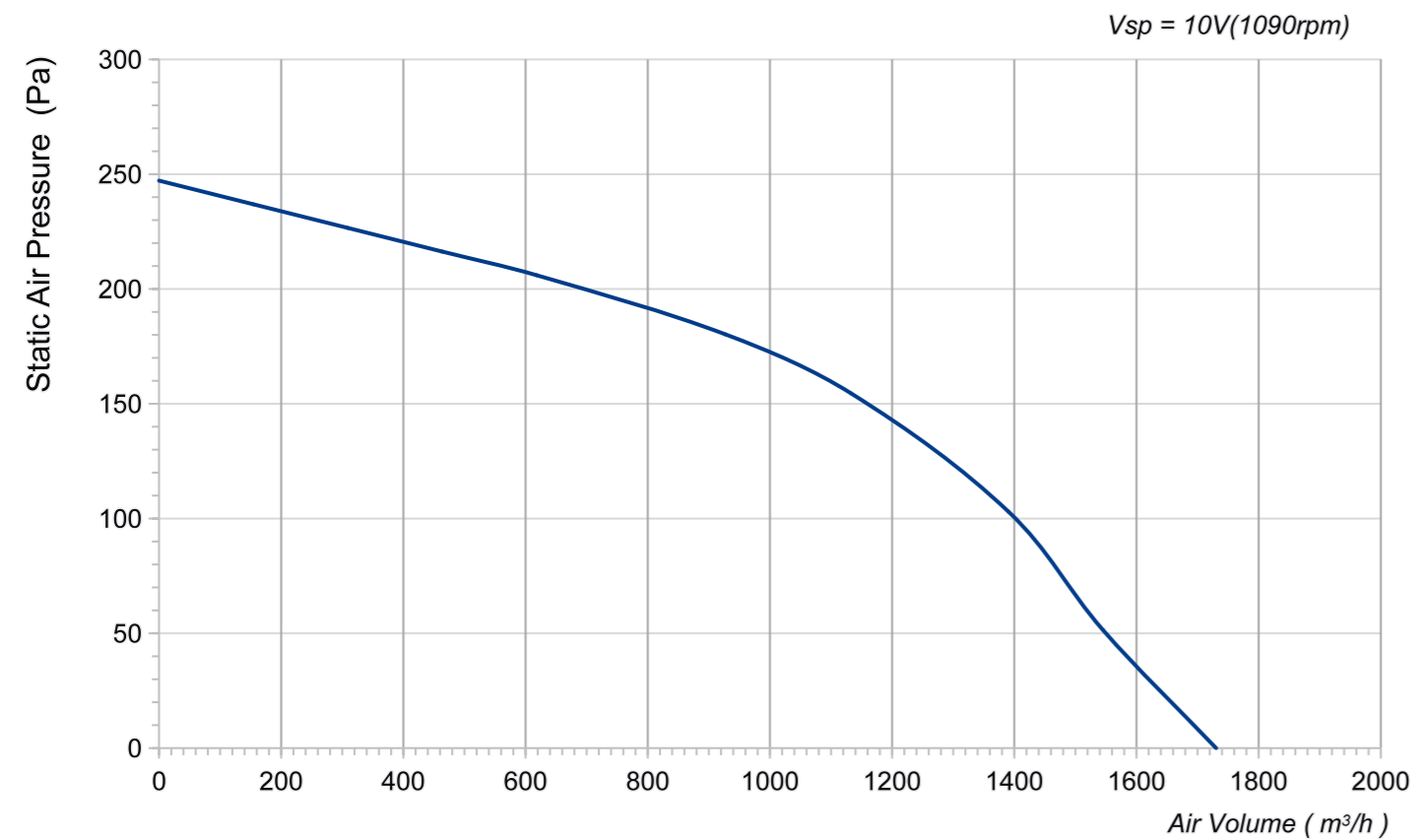
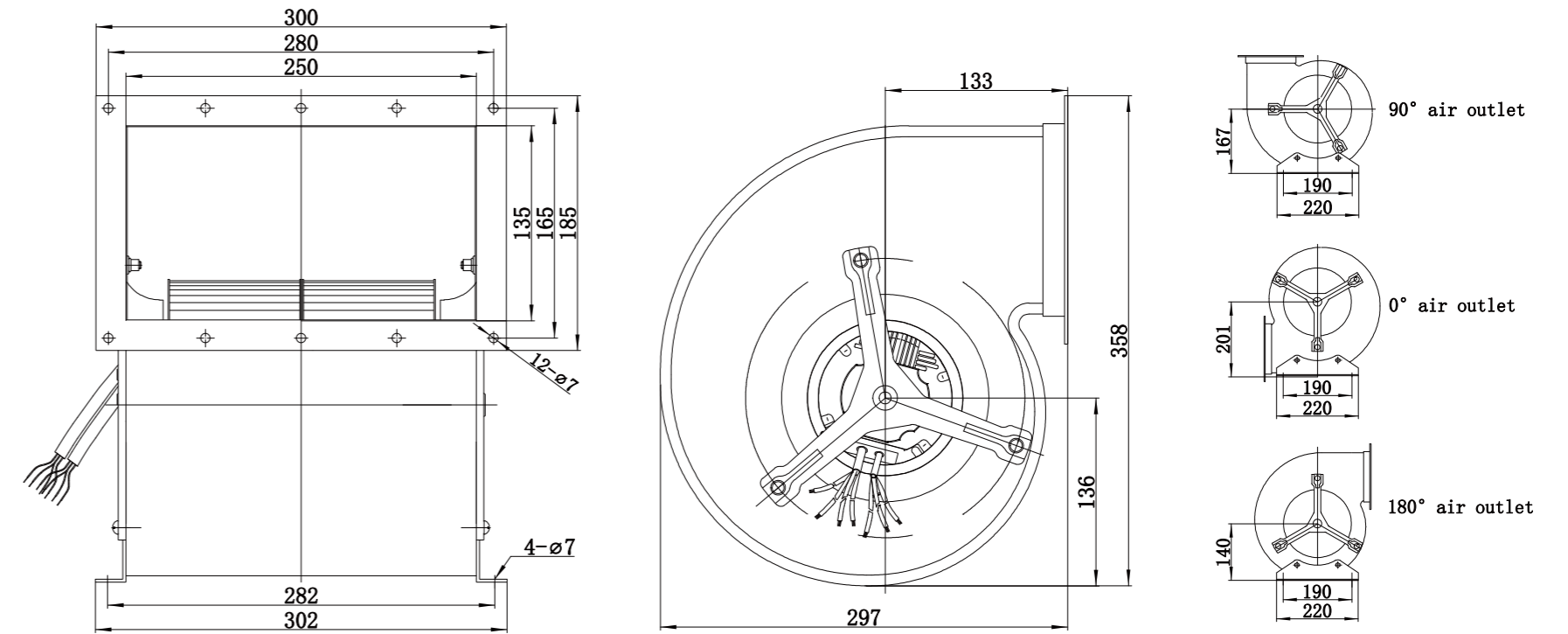
- Material : Metal
- Mode of operation: S1
- Type of operation: IP54
- Insulation class: F
- Bearing: Maintenance-free ball bearings
- Operation Temperature: -30~+60 C



## Technical Specifications

| Model              | Voltage (V) | Frequency (Hz) | Power (W) | Current (A) | Speed (RPM) | Air Flow (m³/h) | Air Pressure (Pa) | Noise [dB(A)] | Curve |
|--------------------|-------------|----------------|-----------|-------------|-------------|-----------------|-------------------|---------------|-------|
| LWFE3G180-092DS-02 | 230         | 50/60          | 165       | 1.22        | 1090        | 1730            | 247               | 63            | /     |

## Product Drawing (mm)



# LWFE-200 Series

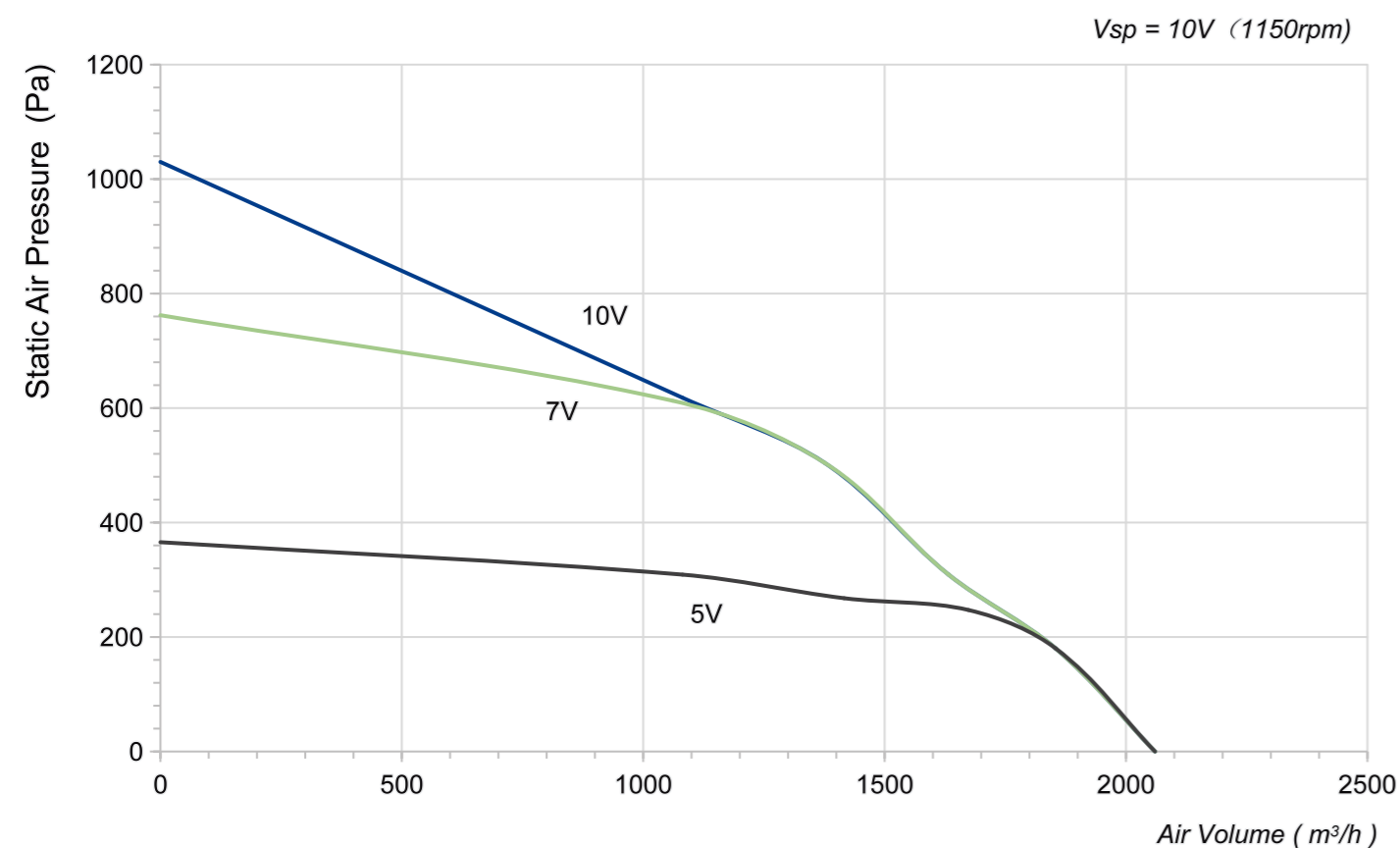
## Product Characteristic

- Material : Metal
- Mode of operation: S1
- Type of operation: IP44
- Insulation class: B
- Bearing: Maintenance-free ball bearings
- Operation Temperature: -20~+60 C

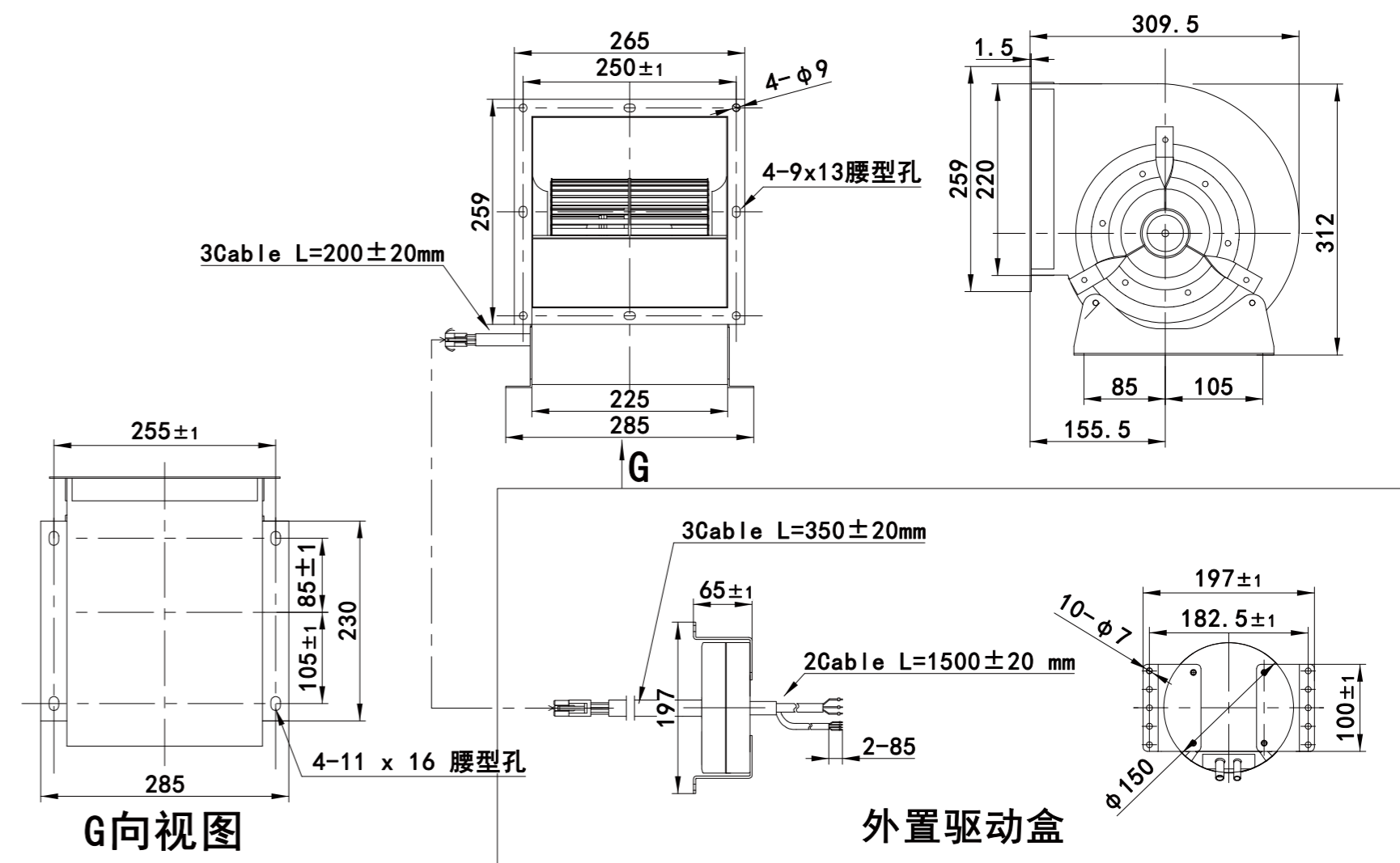


## Technical Specifications

| Model              | Voltage (V) | Frequency (Hz) | Power (W) | Current (A) | Speed (RPM) | Air Flow (m³/h) | Air Pressure (Pa) | Noise [dB(A)] | Curve |
|--------------------|-------------|----------------|-----------|-------------|-------------|-----------------|-------------------|---------------|-------|
| LWFE3G200-102DS-01 | 230         | 50/60          | 300       | 1.36        | 1150        | 2060            | 1030              | 64            | /     |



## Product Drawing (mm)



# LWFE-200 Series

## Product Characteristic

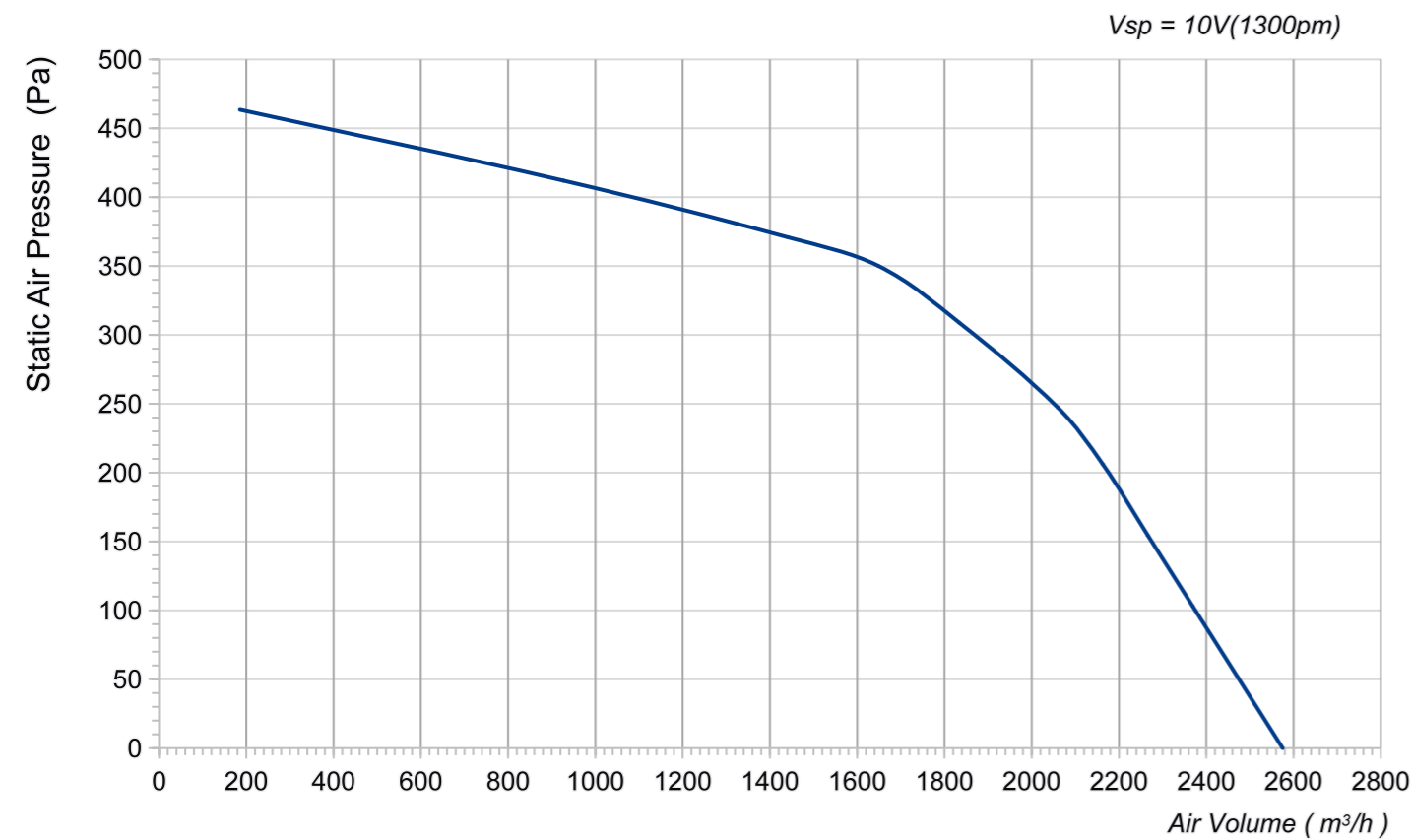
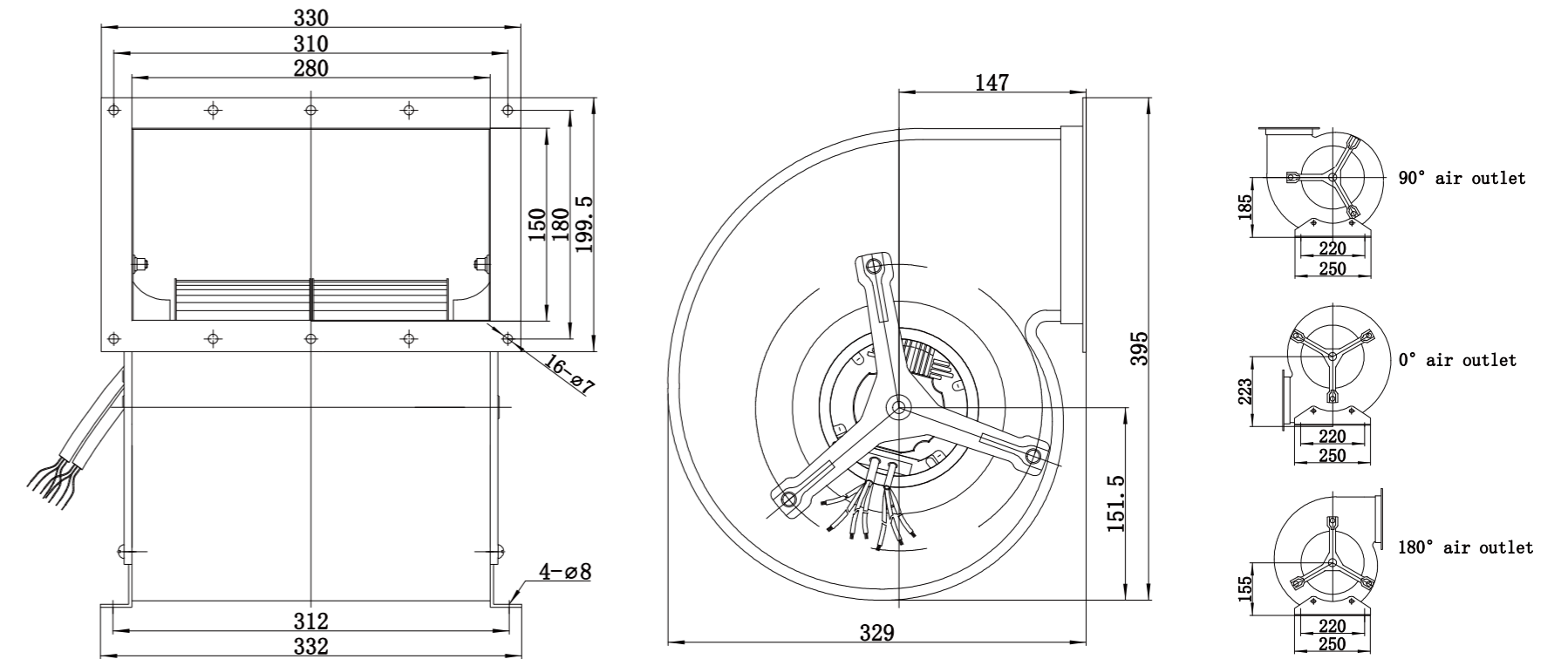
- Material : Metal
- Mode of operation: S1
- Type of operation: IP54
- Insulation class: F
- Bearing: Maintenance-free ball bearings
- Operation Temperature: -30~+60 C



## Technical Specifications

| Model              | Voltage (V) | Frequency (Hz) | Power (W) | Current (A) | Speed (RPM) | Air Flow (m³/h) | Air Pressure (Pa) | Noise [dB(A)] | Curve |
|--------------------|-------------|----------------|-----------|-------------|-------------|-----------------|-------------------|---------------|-------|
| LWFE3G200-102DS-02 | 230         | 50/60          | 390       | 1.55        | 1300        | 2575            | 464               | 66            | /     |

## Product Drawing (mm)



# LWFE-225 Series

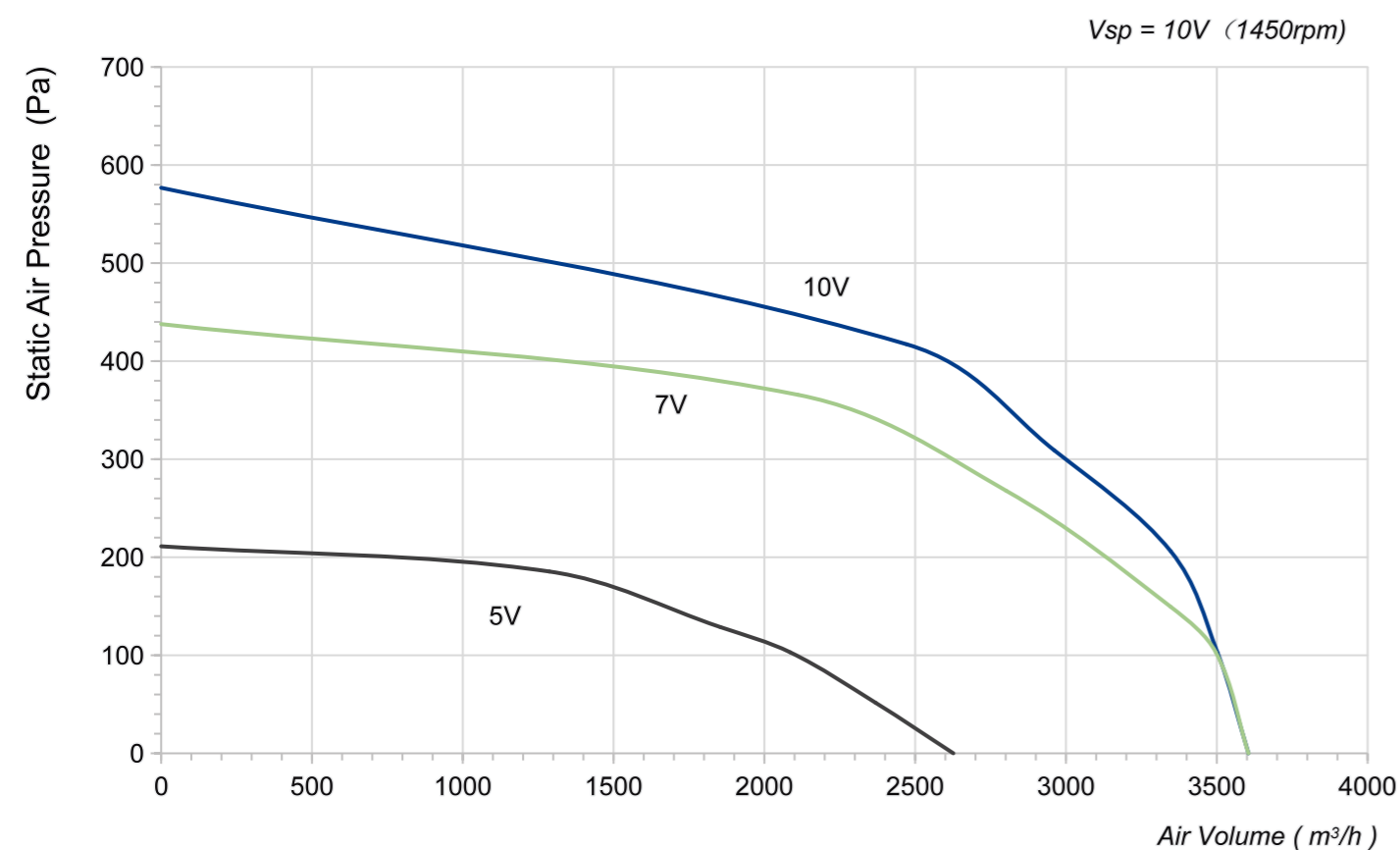
## Product Characteristic

- Material : Metal
- Mode of operation: S1
- Type of operation: IP44
- Insulation class: F
- Bearing: Maintenance-free ball bearings
- Operation Temperature: -25~+60 C

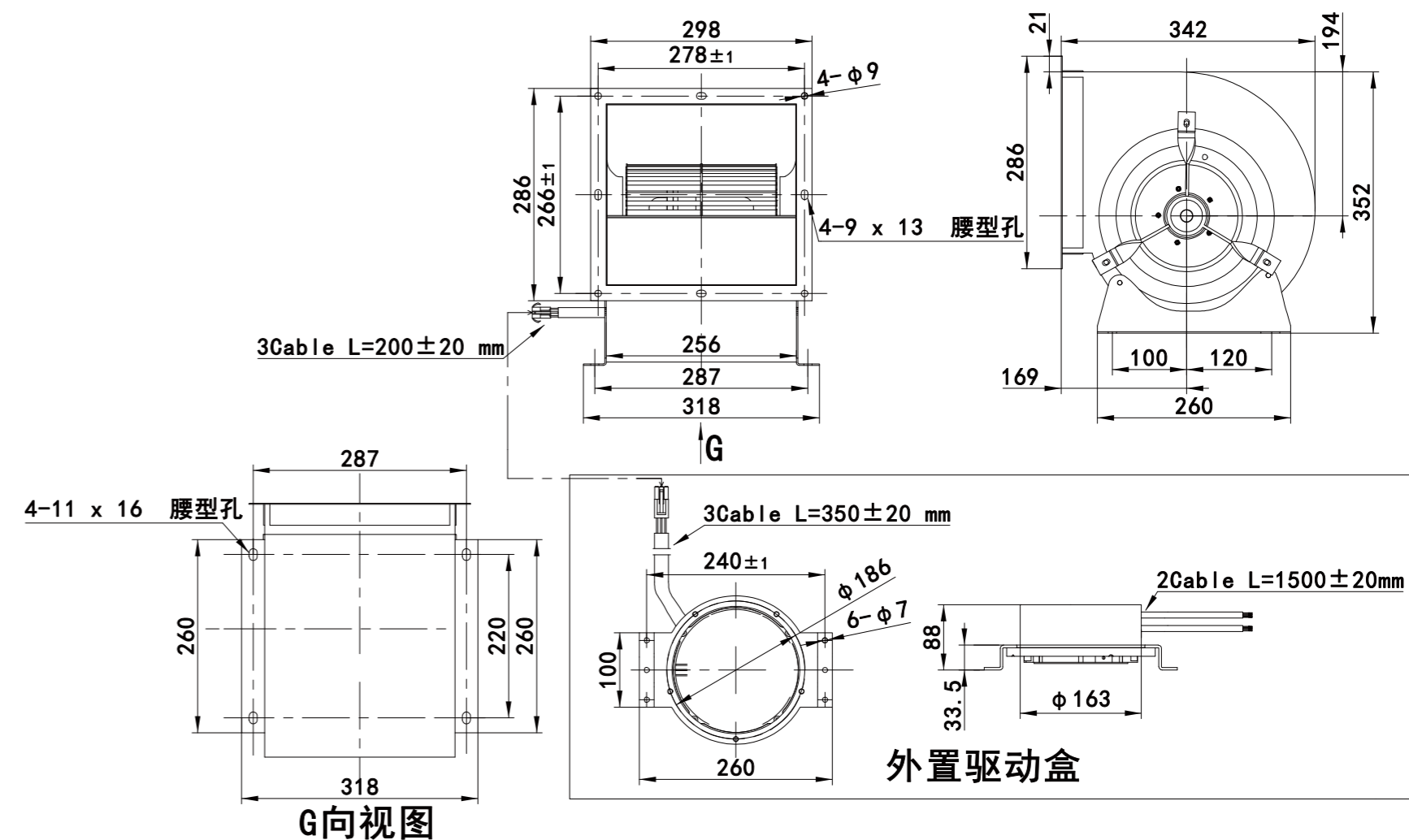


## Technical Specifications

| Model              | Voltage (V) | Frequency (Hz) | Power (W) | Current (A) | Speed (RPM) | Air Flow (m³/h) | Air Pressure (Pa) | Noise [dB(A)] | Curve |
|--------------------|-------------|----------------|-----------|-------------|-------------|-----------------|-------------------|---------------|-------|
| LWFE3G225-138DS-01 | 380         | 50/60          | 1050      | 1.8         | 1450        | 3605            | 577               | 78            | /     |



## Product Drawing (mm)



# LWFE-225 Series

## Product Characteristic

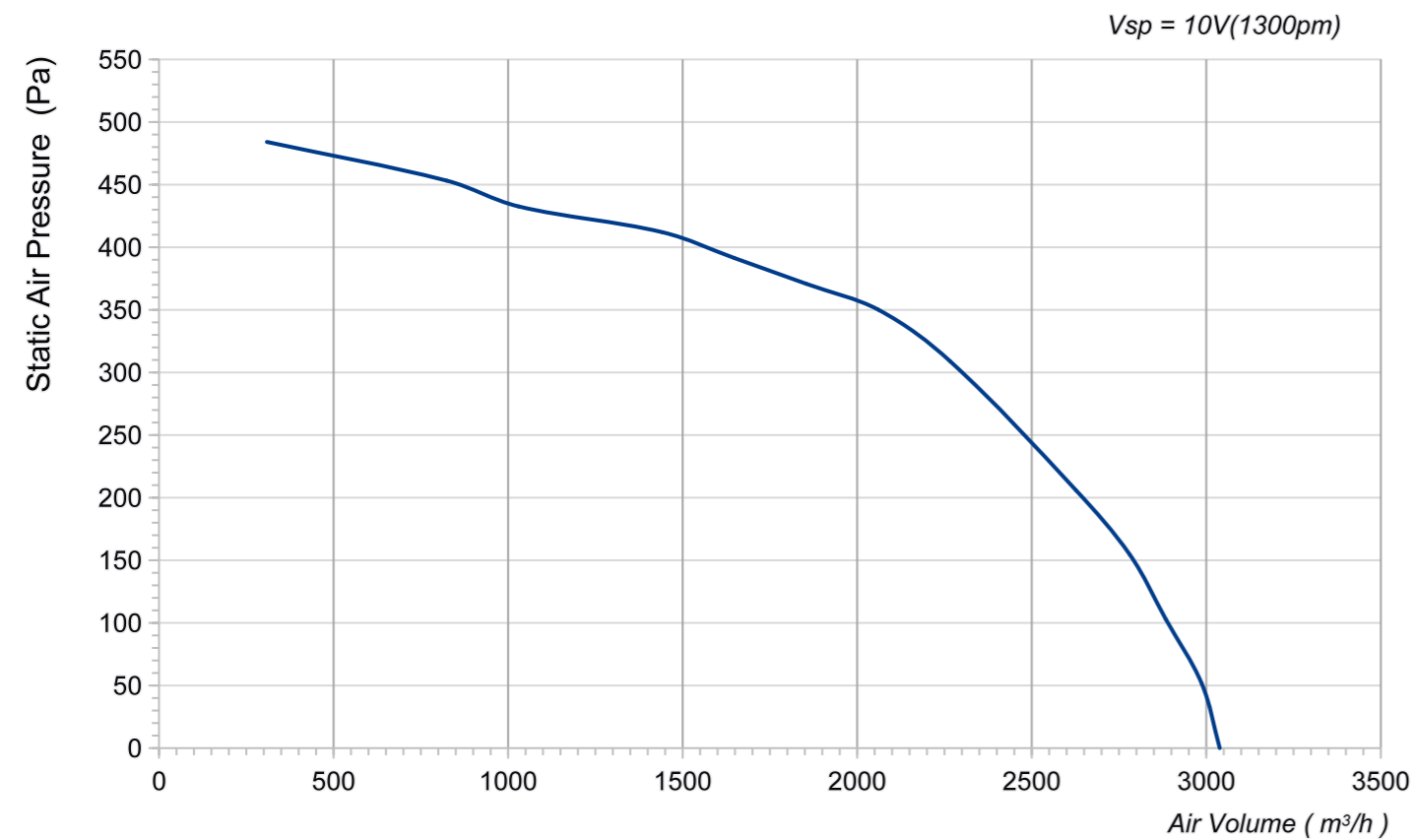
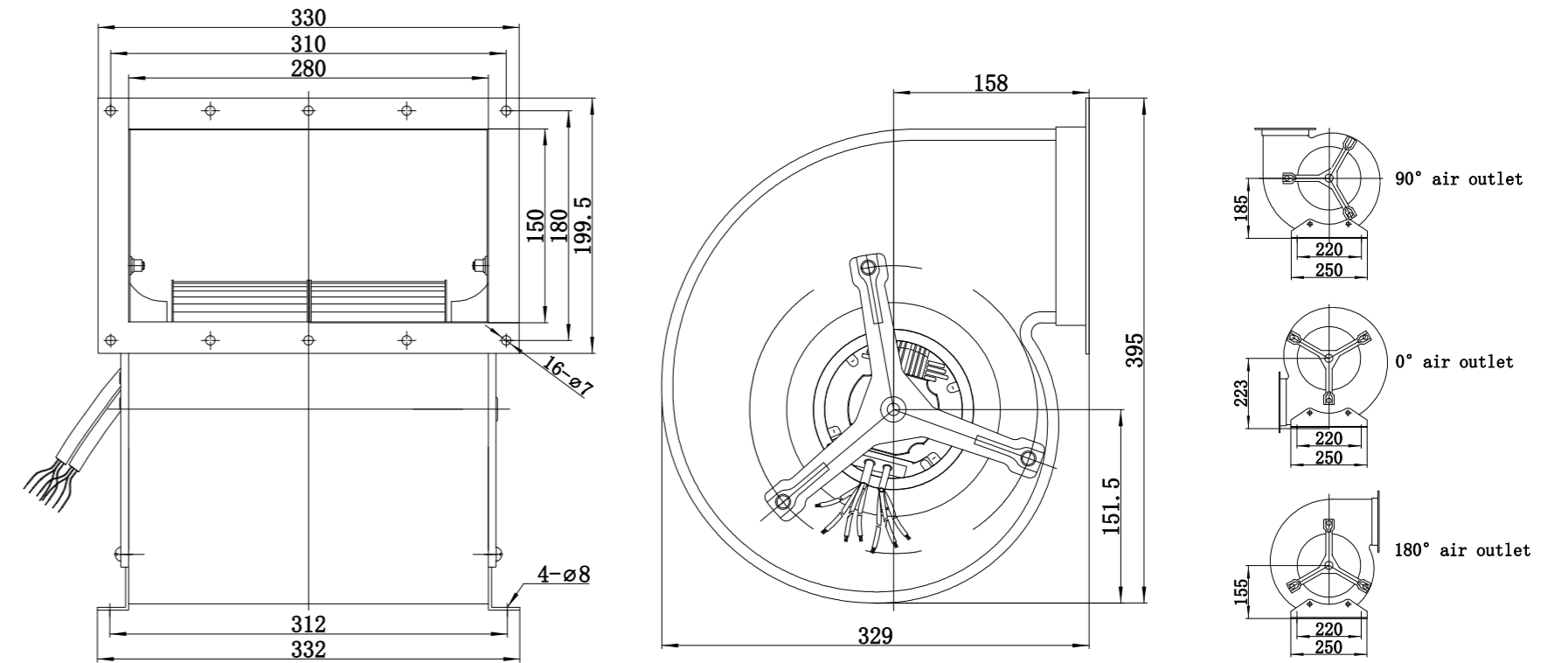
- Material : Metal
- Mode of operation: S1
- Type of operation: IP54
- Insulation class: F
- Bearing: Maintenance-free ball bearings
- Operation Temperature: -30~+60 C



## Technical Specifications

| Model              | Voltage (V) | Frequency (Hz) | Power (W) | Current (A) | Speed (RPM) | Air Flow (m³/h) | Air Pressure (Pa) | Noise [dB(A)] | Curve |
|--------------------|-------------|----------------|-----------|-------------|-------------|-----------------|-------------------|---------------|-------|
| LWFE3G225-102DS-02 | 230         | 50/60          | 450       | 1.75        | 1300        | 3039            | 484               | 68            | /     |

## Product Drawing (mm)



# LWFE-225 Series

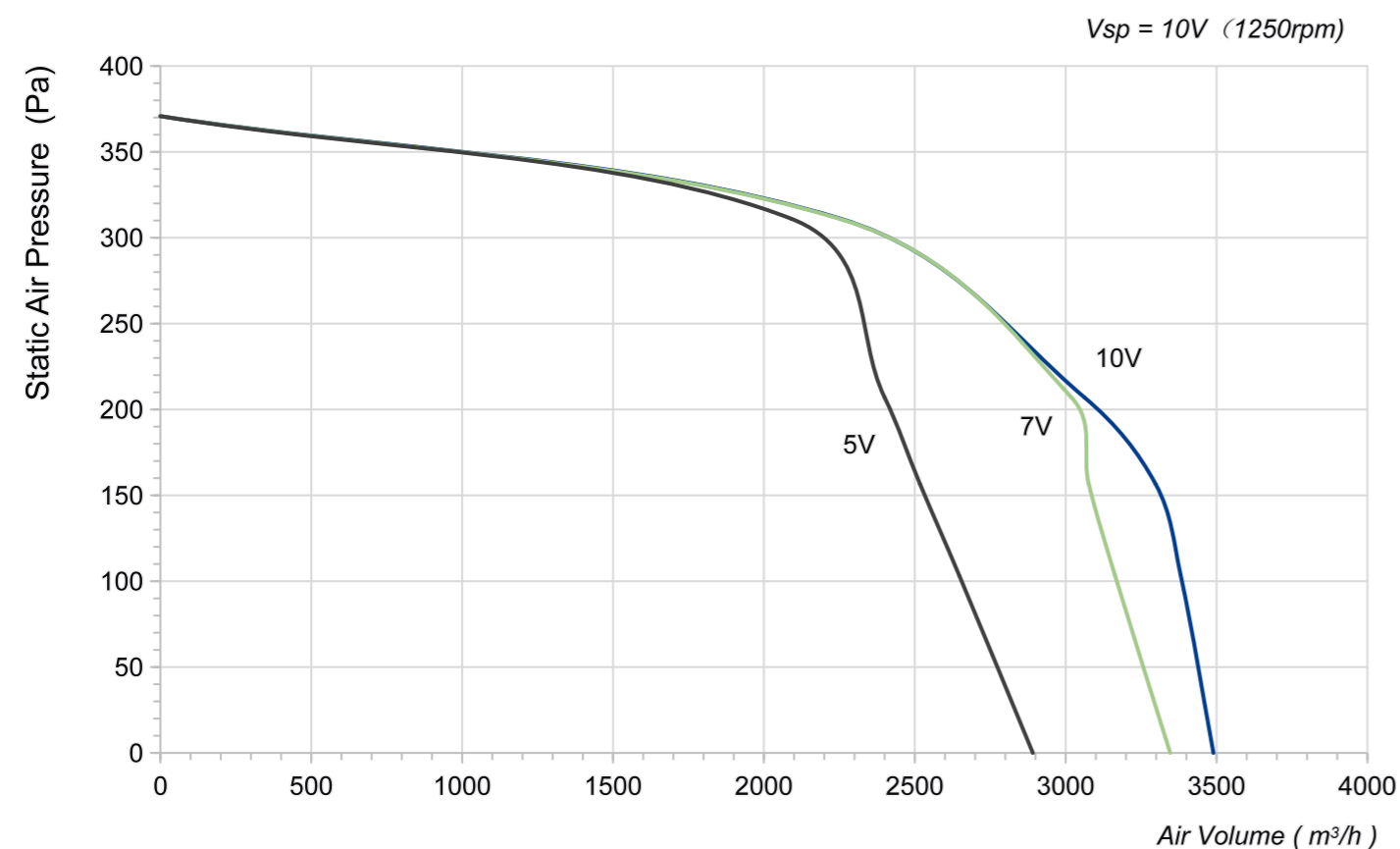
## Product Characteristic

- Material : Metal
- Mode of operation: S1
- Type of operation: IP44
- Insulation class: B
- Bearing: Maintenance-free ball bearings
- Operation Temperature: -20~+60 C

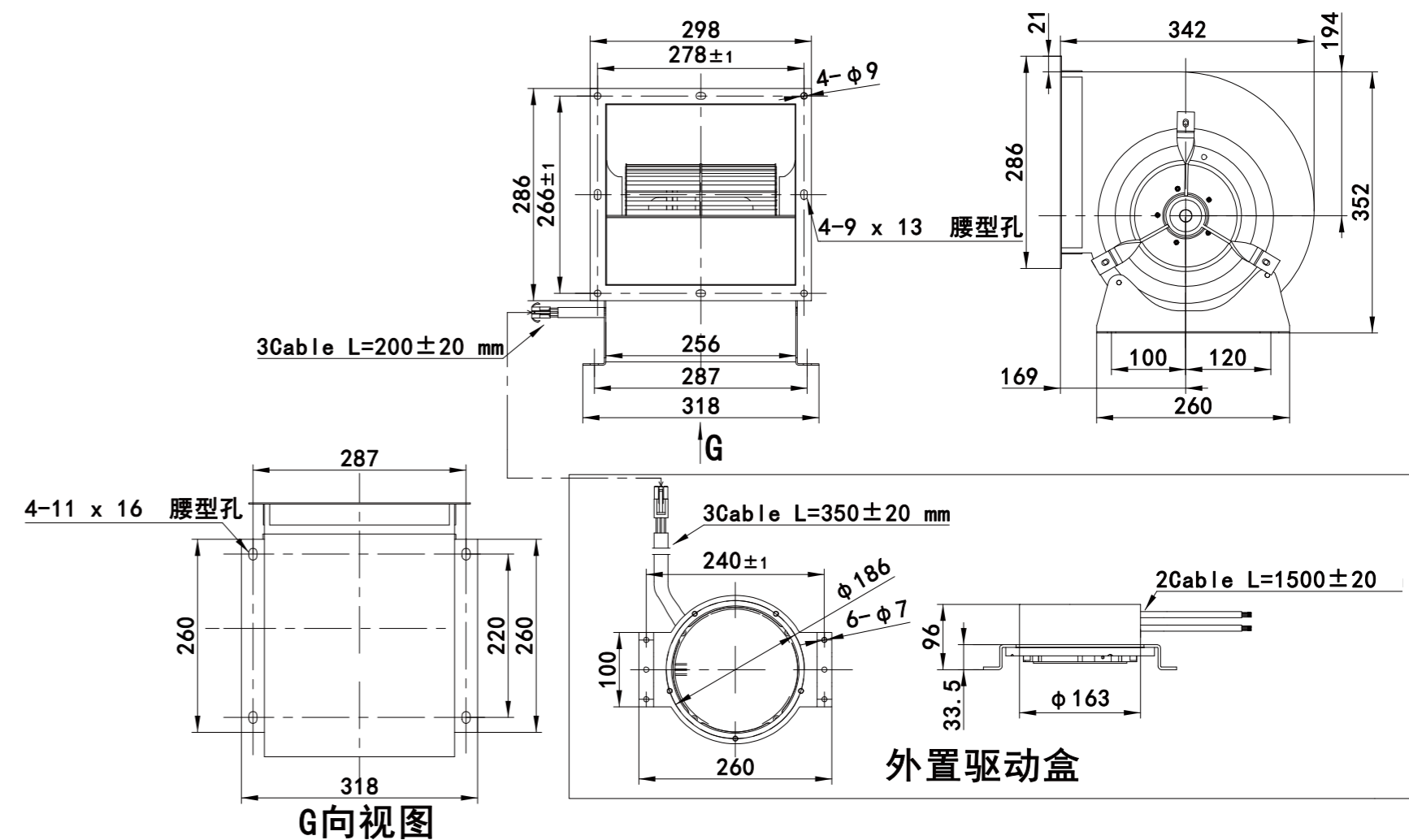


## Technical Specifications

| Model              | Voltage (V) | Frequency (Hz) | Power (W) | Current (A) | Speed (RPM) | Air Flow (m³/h) | Air Pressure (Pa) | Noise [dB(A)] | Curve |
|--------------------|-------------|----------------|-----------|-------------|-------------|-----------------|-------------------|---------------|-------|
| LWFE3G225-138DS-03 | 230         | 50/60          | 750       | 3.5         | 1250        | 3502            | 371               | 77            | /     |



## Product Drawing (mm)



# LWFE-250 Series

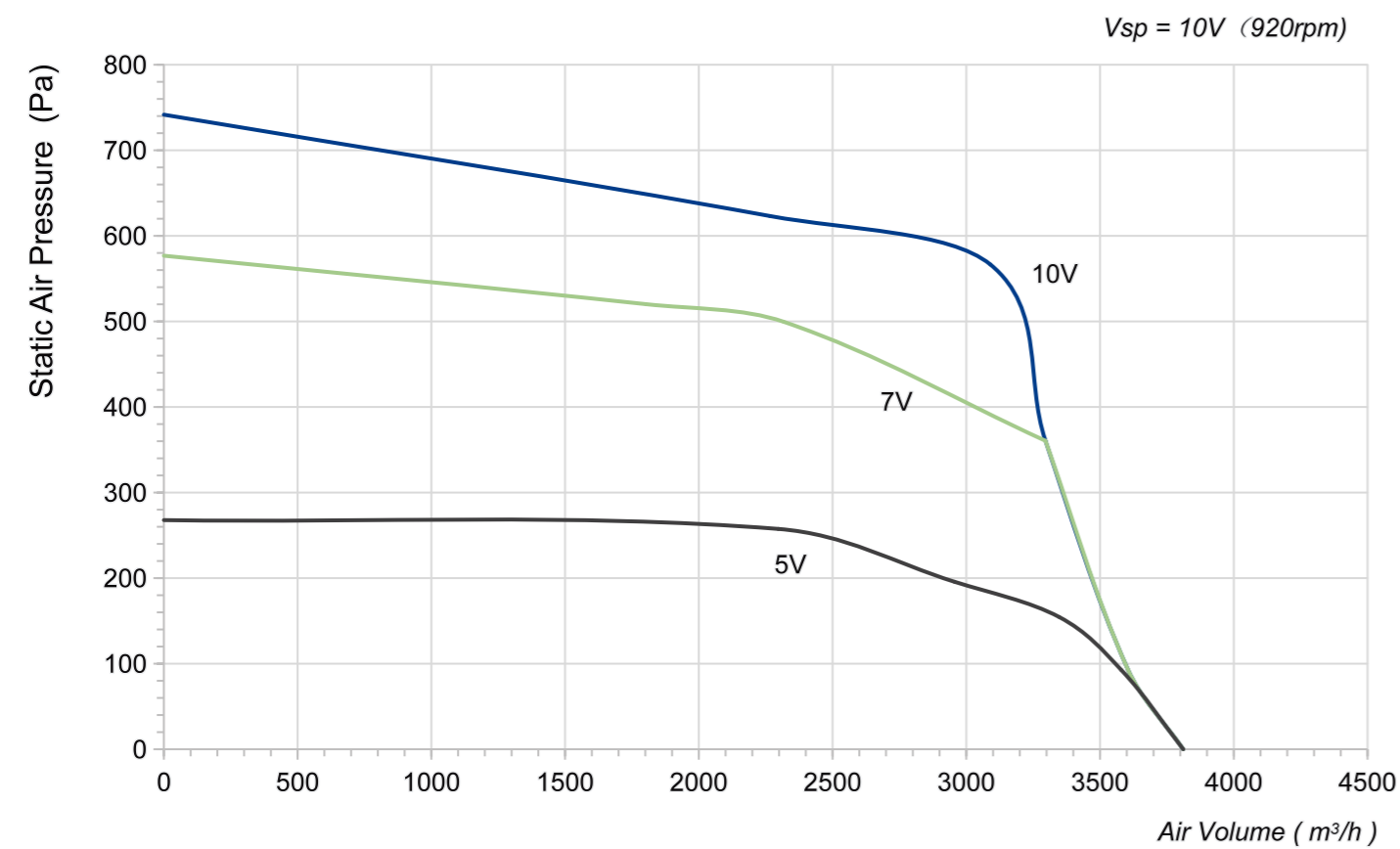
## Product Characteristic

- Material : Metal
- Mode of operation: S1
- Type of operation: IP44
- Insulation class: F
- Bearing: Maintenance-free ball bearings
- Operation Temperature: -25~+60 C

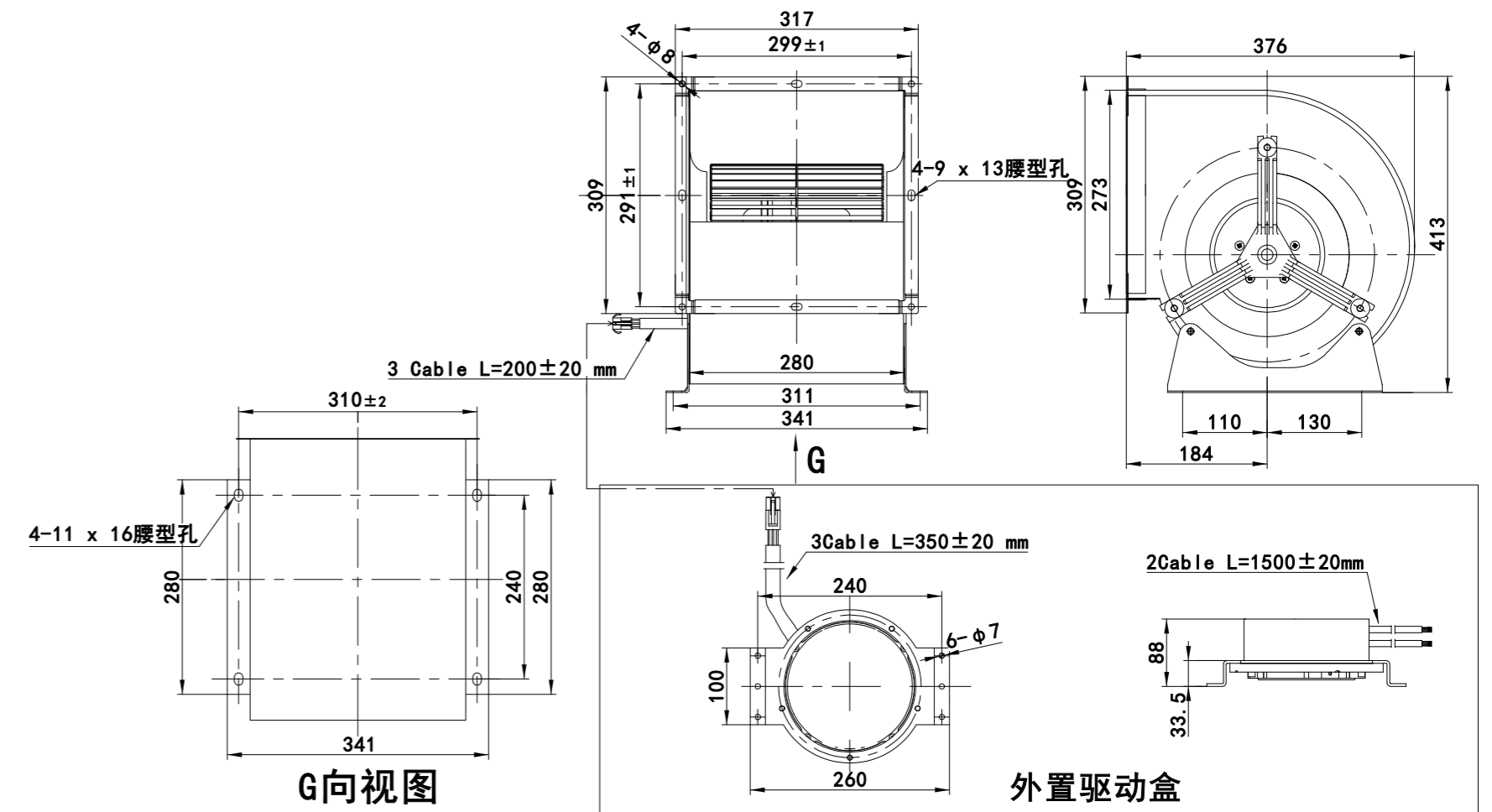


## Technical Specifications

| Model              | Voltage (V) | Frequency (Hz) | Power (W) | Current (A) | Speed (RPM) | Air Flow (m³/h) | Air Pressure (Pa) | Noise [dB(A)] | Curve |
|--------------------|-------------|----------------|-----------|-------------|-------------|-----------------|-------------------|---------------|-------|
| LWFE3G250-138DS-01 | 380         | 50/60          | 655       | 1.2         | 920         | 3811            | 742               | 74            | /     |



## Product Drawing (mm)



# LWFE-250 Series

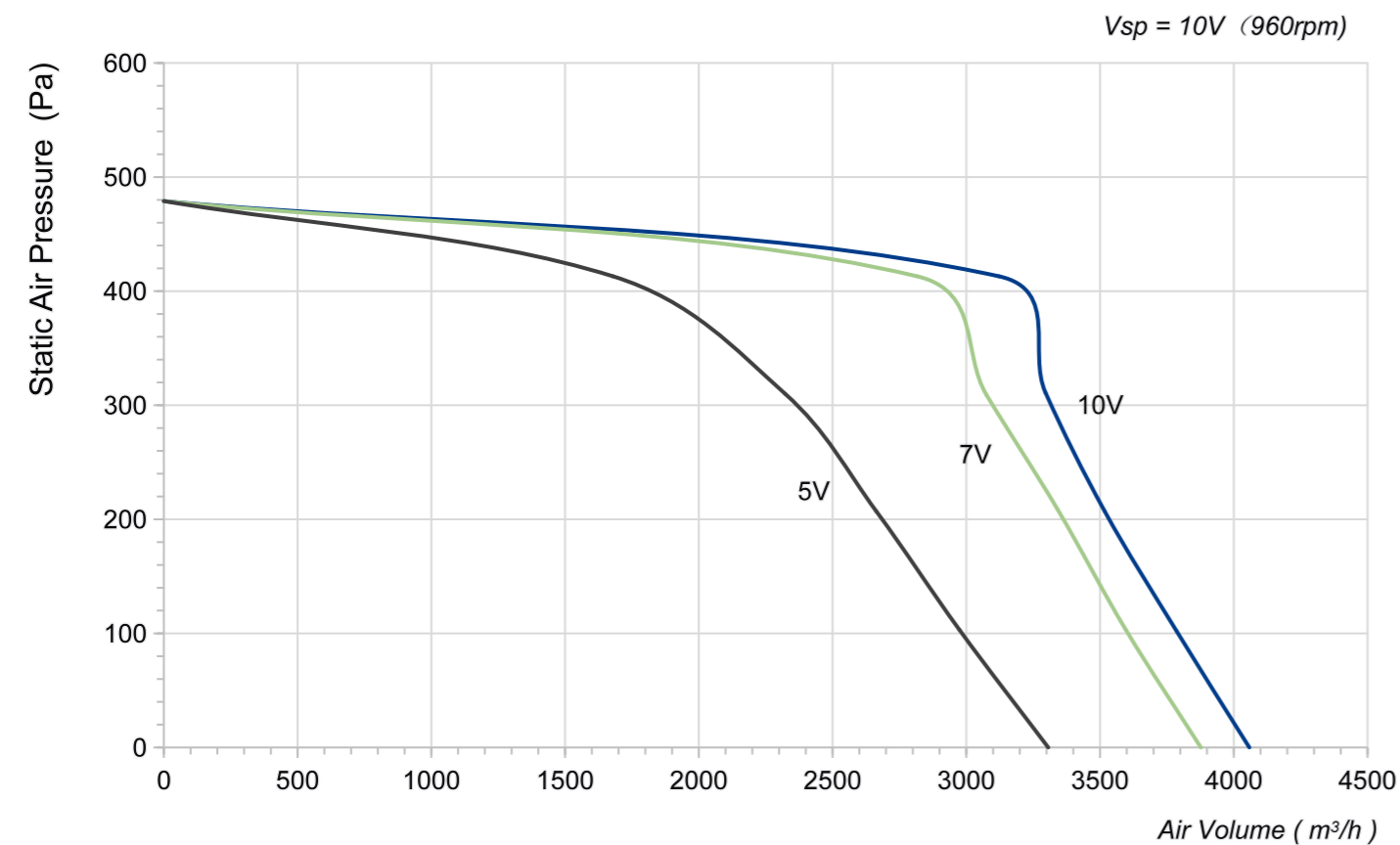
## Product Characteristic

- Material : Metal
- Mode of operation: S1
- Type of operation: IP44
- Insulation class: B
- Bearing: Maintenance-free ball bearings
- Operation Temperature: -20~+60 C

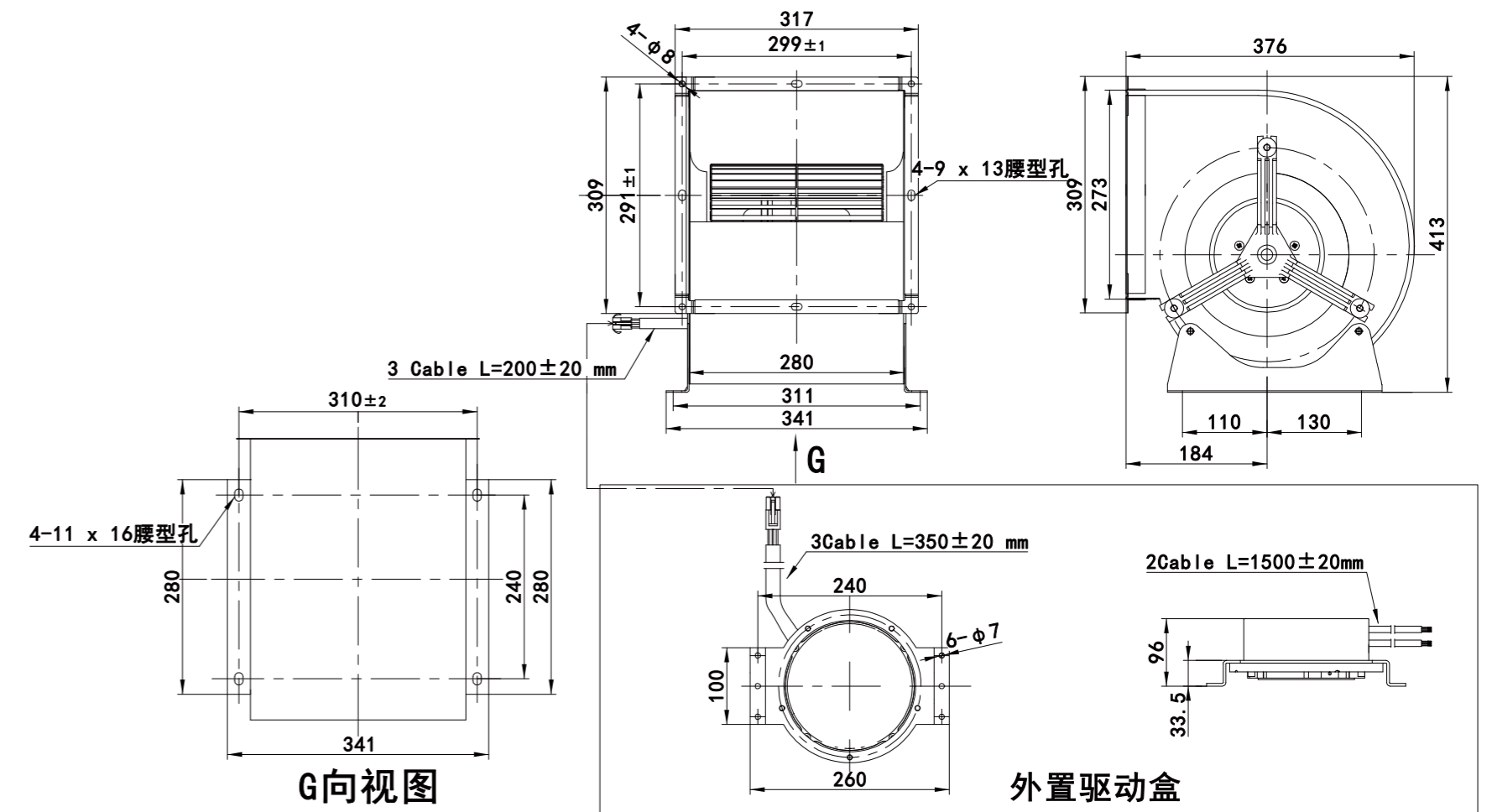


## Technical Specifications

| Model              | Voltage (V) | Frequency (Hz) | Power (W) | Current (A) | Speed (RPM) | Air Flow (m³/h) | Air Pressure (Pa) | Noise [dB(A)] | Curve |
|--------------------|-------------|----------------|-----------|-------------|-------------|-----------------|-------------------|---------------|-------|
| LWFE3G250-138DS-02 | 230         | 50/60          | 750       | 3.5         | 960         | 4058            | 479               | 75            | /     |



## Product Drawing (mm)



# LWFE-280 Series

## Product Characteristic

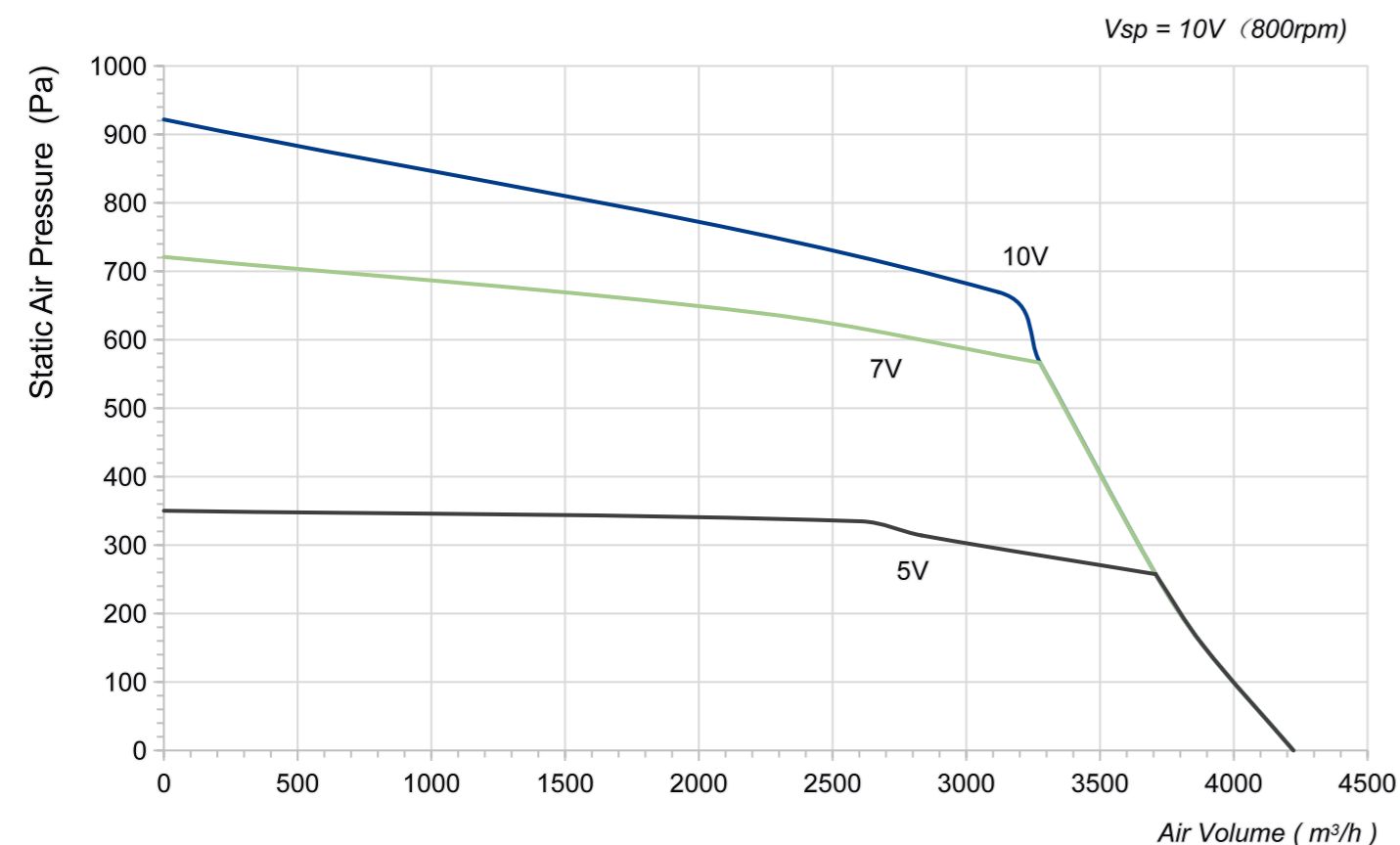
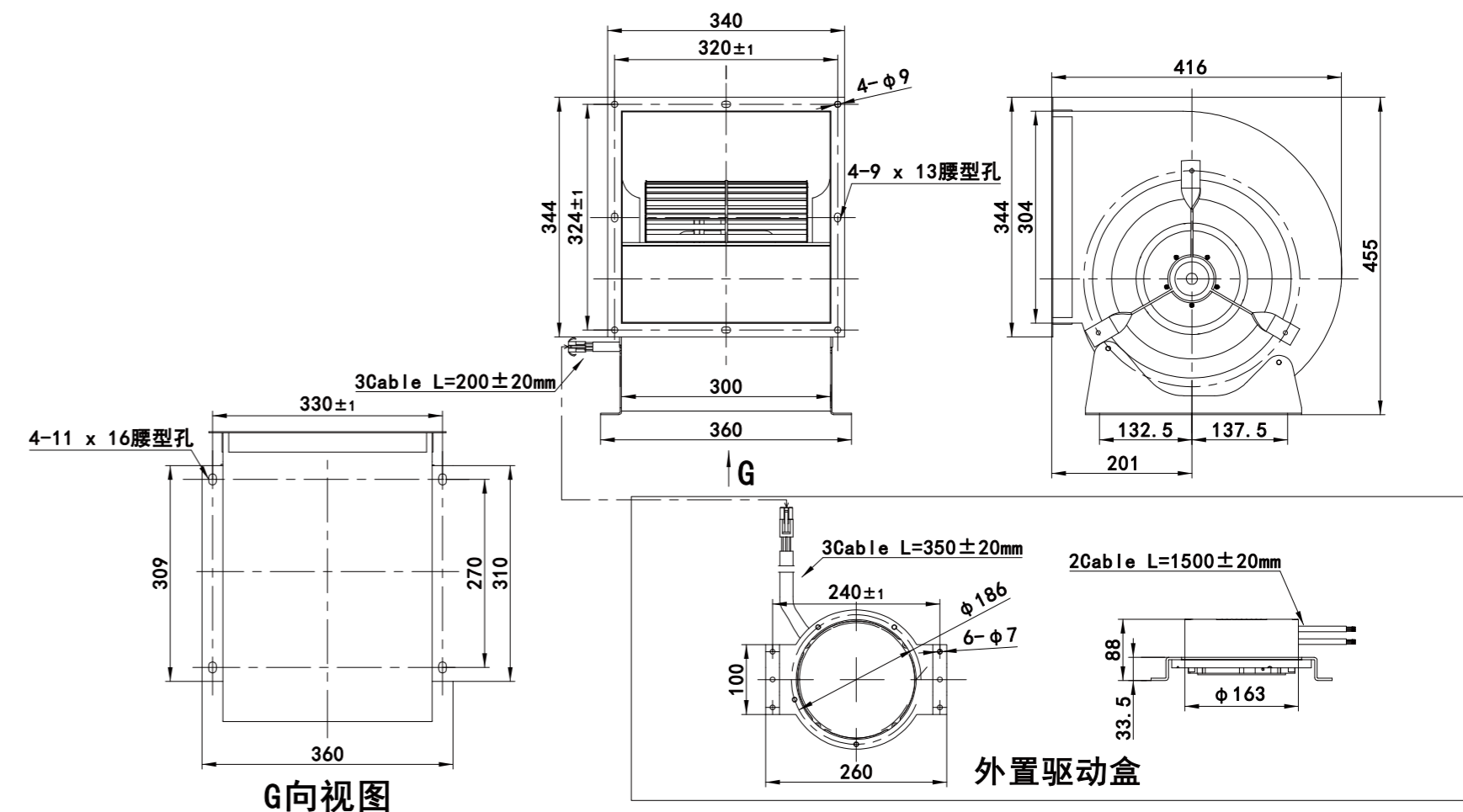
- Material : Metal
- Mode of operation: S1
- Type of operation: IP44
- Insulation class: F
- Bearing: Maintenance-free ball bearings
- Operation Temperature: -25~+60 C



## Technical Specifications

| Model              | Voltage (V) | Frequency (Hz) | Power (W) | Current (A) | Speed (RPM) | Air Flow (m³/h) | Air Pressure (Pa) | Noise [dB(A)] | Curve |
|--------------------|-------------|----------------|-----------|-------------|-------------|-----------------|-------------------|---------------|-------|
| LWFE3G280-138DS-01 | 380         | 50/60          | 600       | 1.1         | 800         | 4223            | 917               | 72            | /     |

## Product Drawing (mm)



# LWFE-280 Series

## Product Characteristic

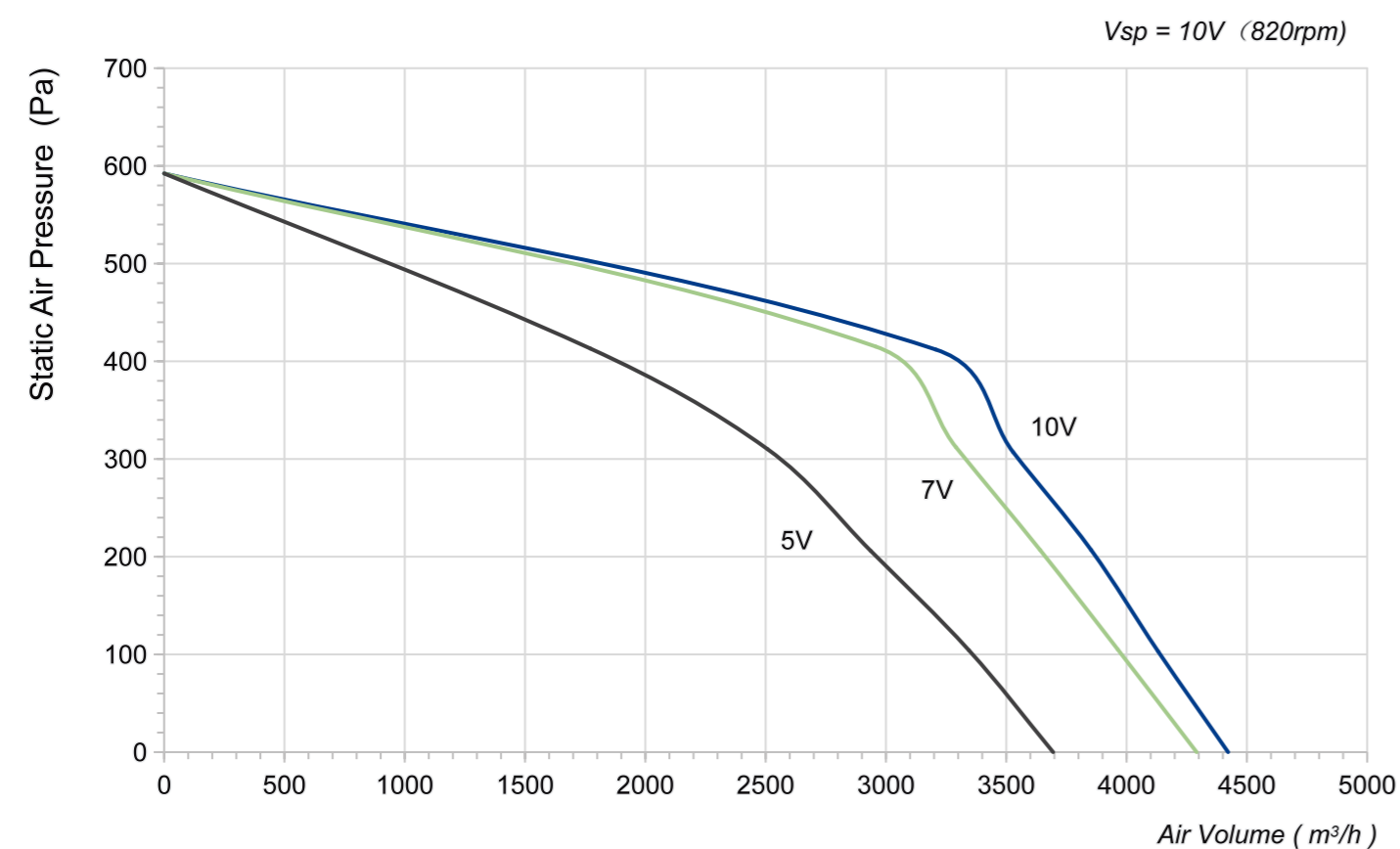
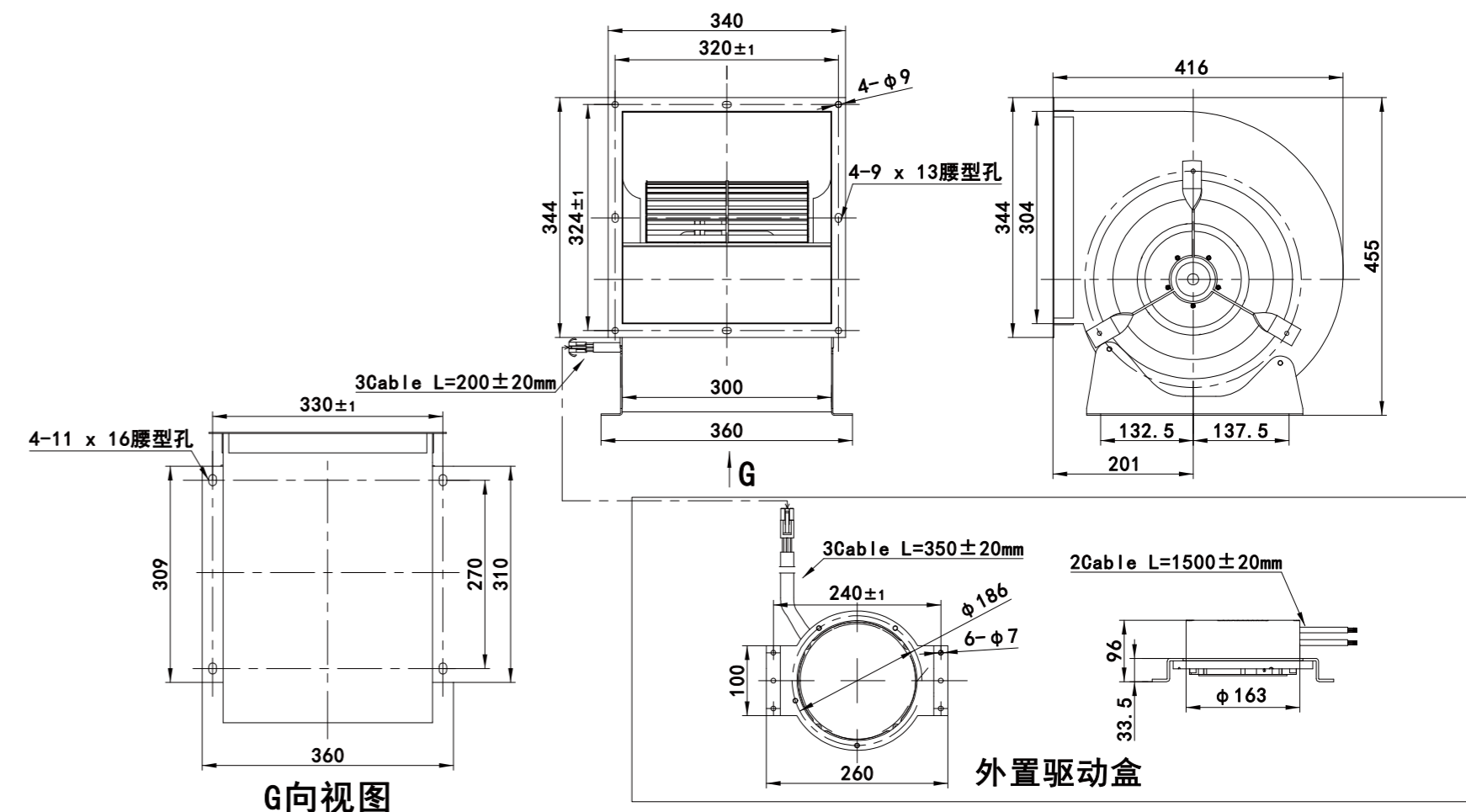
- Material : Metal
- Mode of operation: S1
- Type of operation: IP44
- Insulation class: B
- Bearing: Maintenance-free ball bearings
- Operation Temperature: -20~+60 C



## Technical Specifications

| Model              | Voltage (V) | Frequency (Hz) | Power (W) | Current (A) | Speed (RPM) | Air Flow (m³/h) | Air Pressure (Pa) | Noise [dB(A)] | Curve |
|--------------------|-------------|----------------|-----------|-------------|-------------|-----------------|-------------------|---------------|-------|
| LWFE3G280-138DS-02 | 230         | 50/60          | 750       | 3.5         | 820         | 4422            | 592               | 74            | /     |

## Product Drawing (mm)



# LWFE-315 Series

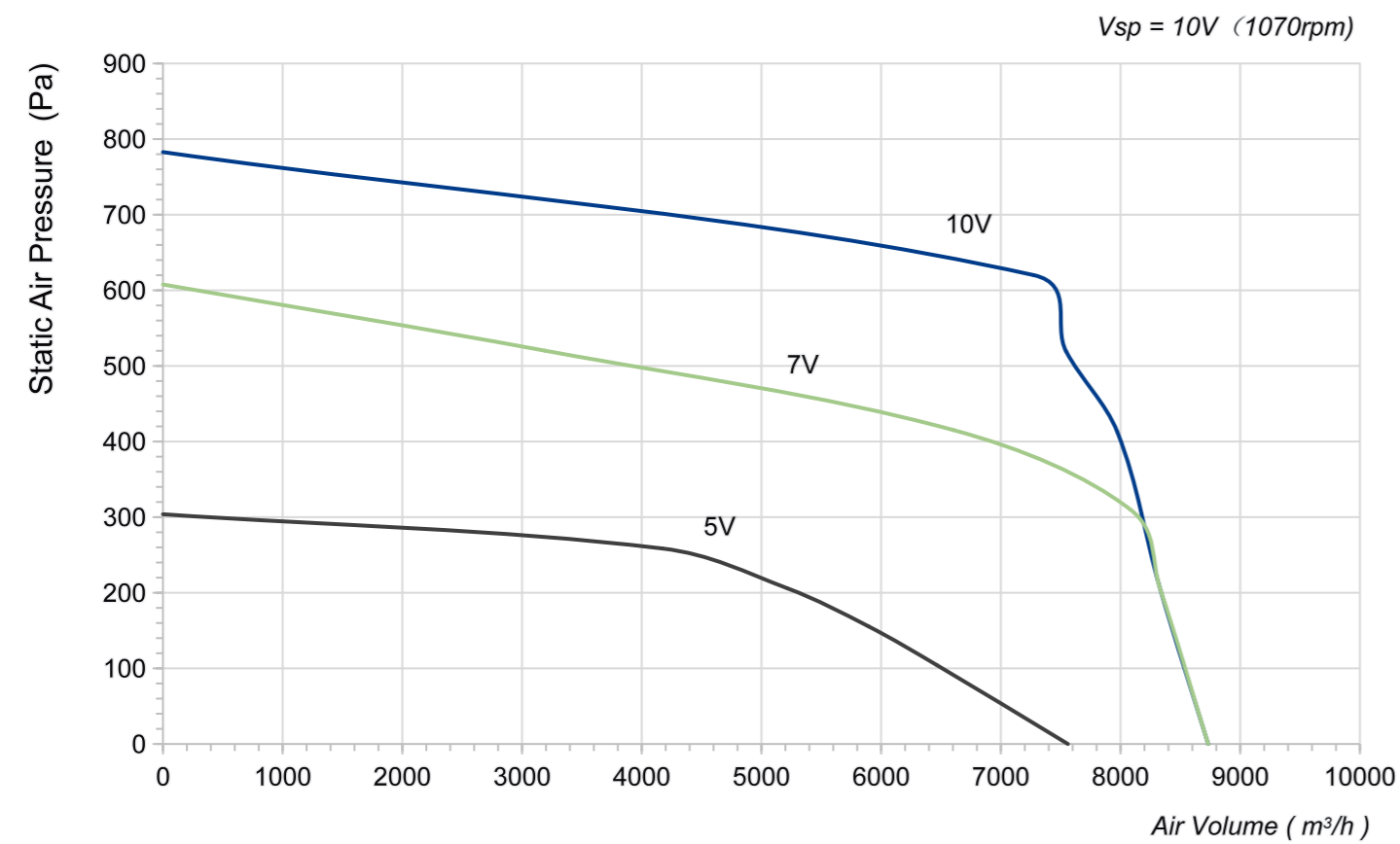
## Product Characteristic

- Material : Metal
- Mode of operation: S1
- Type of operation: IP44
- Insulation class: F
- Bearing: Maintenance-free ball bearings
- Operation Temperature: -30~+50 C

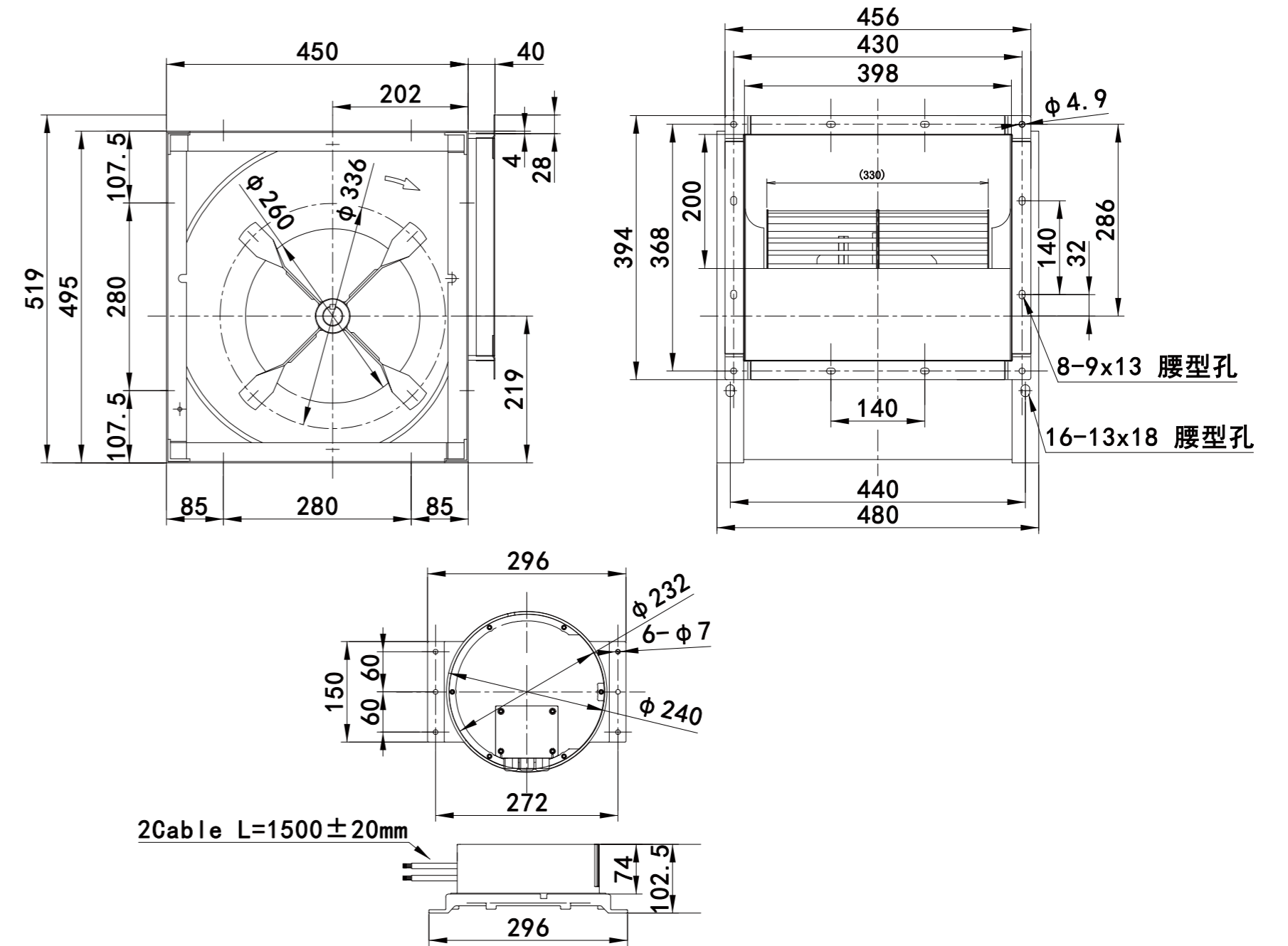


## Technical Specifications

| Model              | Voltage (V) | Frequency (Hz) | Power (W) | Current (A) | Speed (RPM) | Air Flow (m³/h) | Air Pressure (Pa) | Noise [dB(A)] | Curve |
|--------------------|-------------|----------------|-----------|-------------|-------------|-----------------|-------------------|---------------|-------|
| LWFE3G315-188DS-01 | 380         | 50/60          | 2400      | 4           | 1070        | 8732            | 783               | 81            | /     |



## Product Drawing (mm)



# LWFE-355 Series

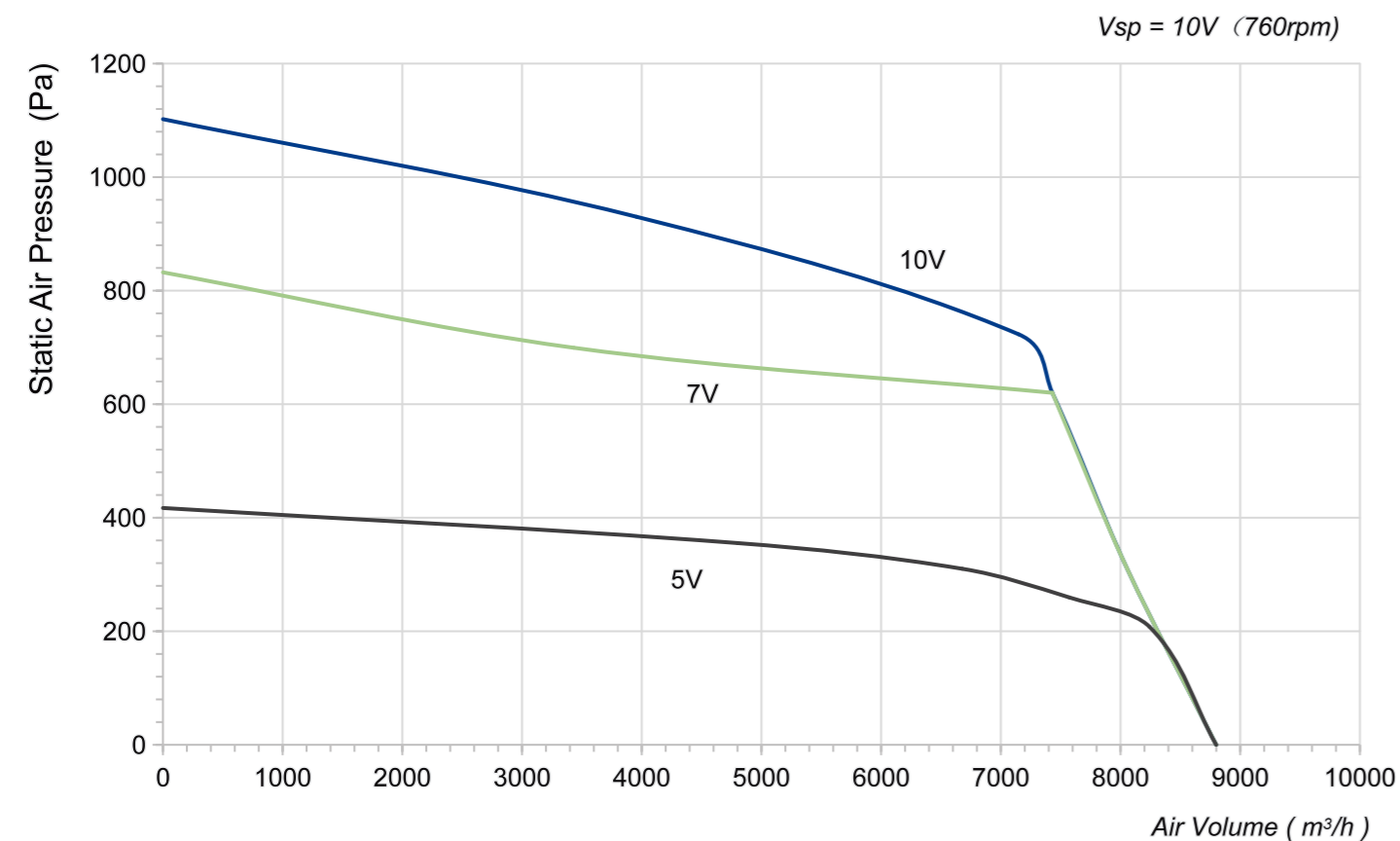
## Product Characteristic

- Material : Metal
- Mode of operation: S1
- Type of operation: IP44
- Insulation class: F
- Bearing: Maintenance-free ball bearings
- Operation Temperature: -30~+50 C

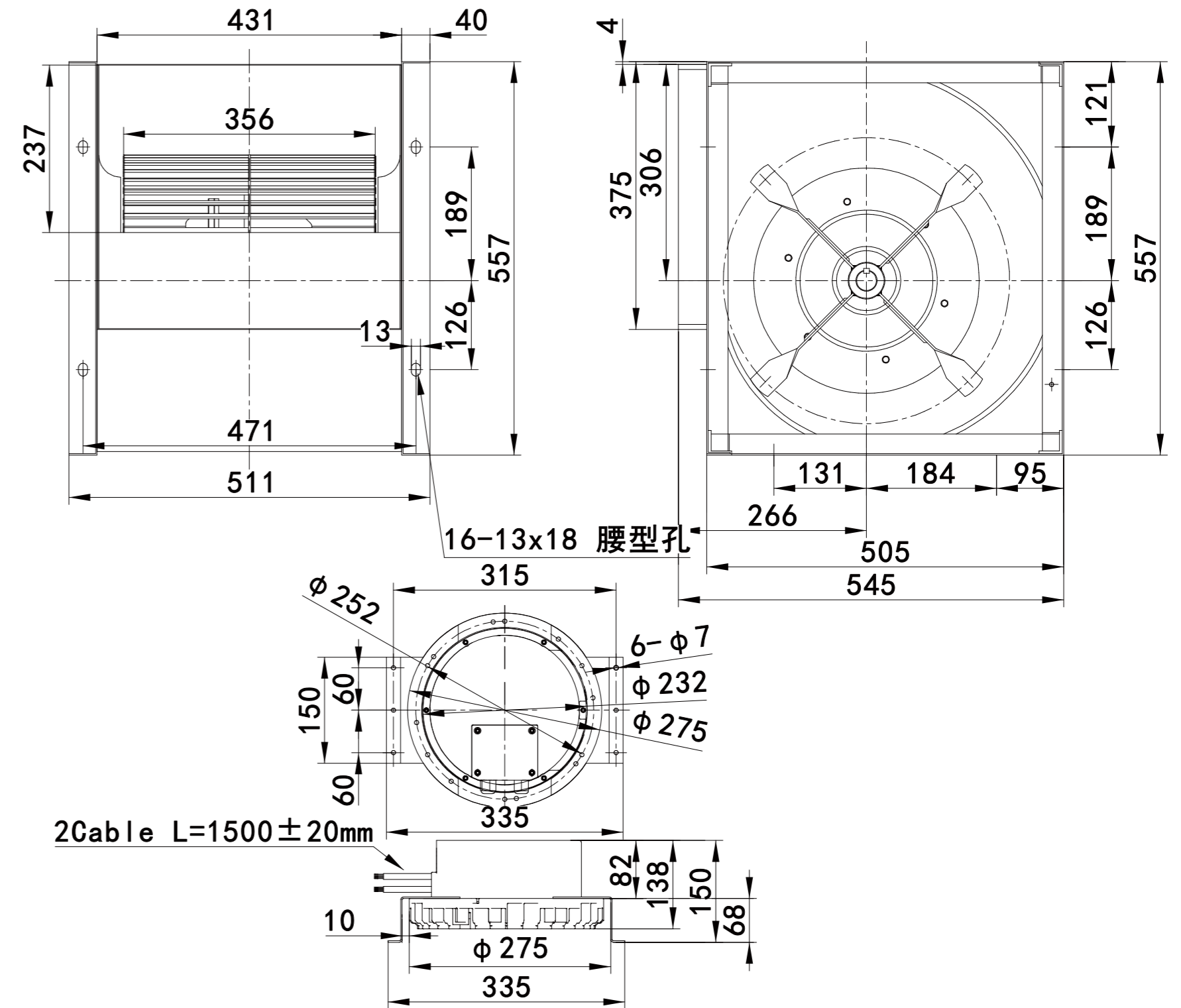


## Technical Specifications

| Model              | Voltage (V) | Frequency (Hz) | Power (W) | Current (A) | Speed (RPM) | Air Flow (m³/h) | Air Pressure (Pa) | Noise [dB(A)] | Curve |
|--------------------|-------------|----------------|-----------|-------------|-------------|-----------------|-------------------|---------------|-------|
| LWFE3G355-188DS-01 | 380         | 50/60          | 1700      | 3           | 760         | 8799            | 1102              | 81            | /     |



## Product Drawing (mm)



# LWFE-146 Series

## Product Characteristic

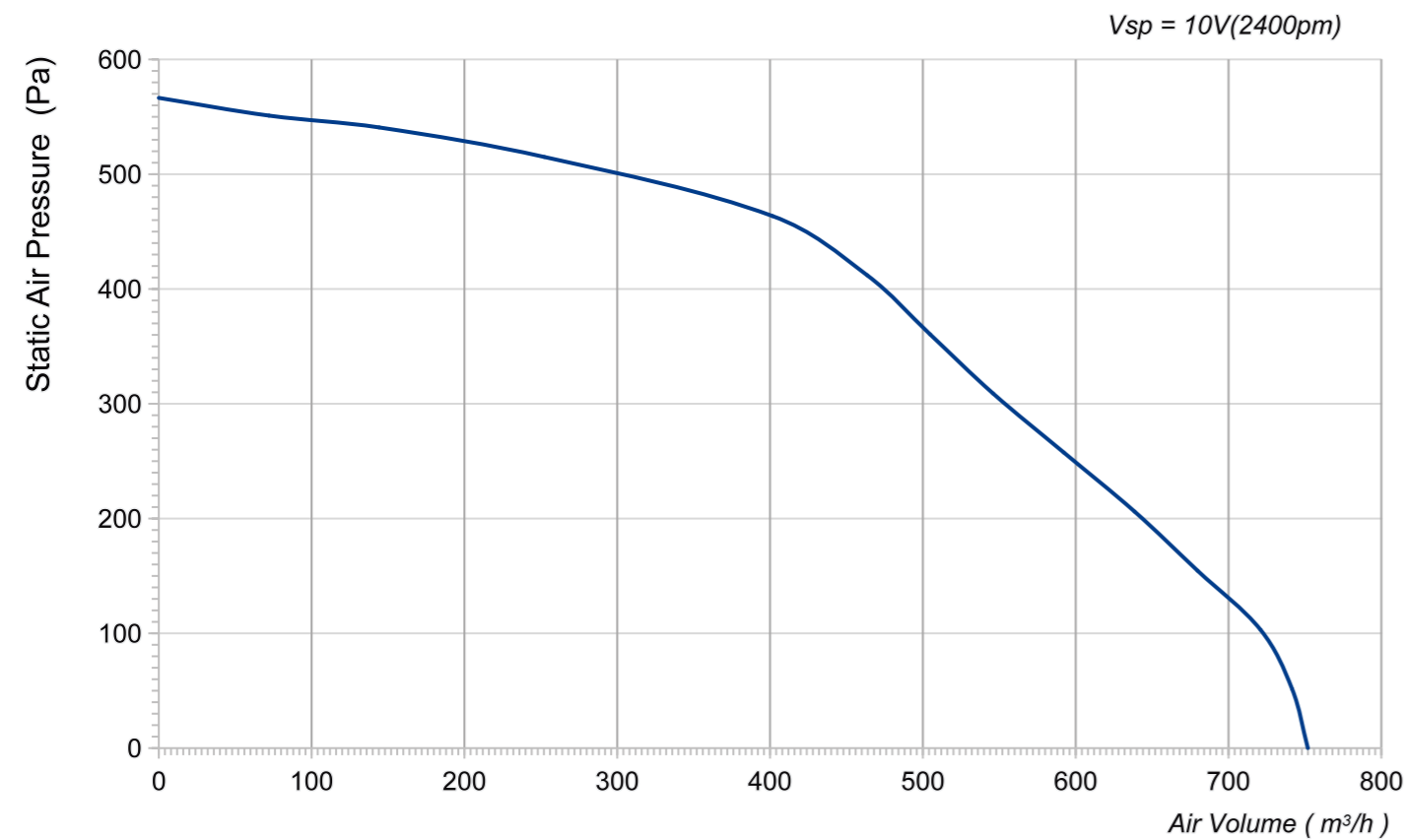
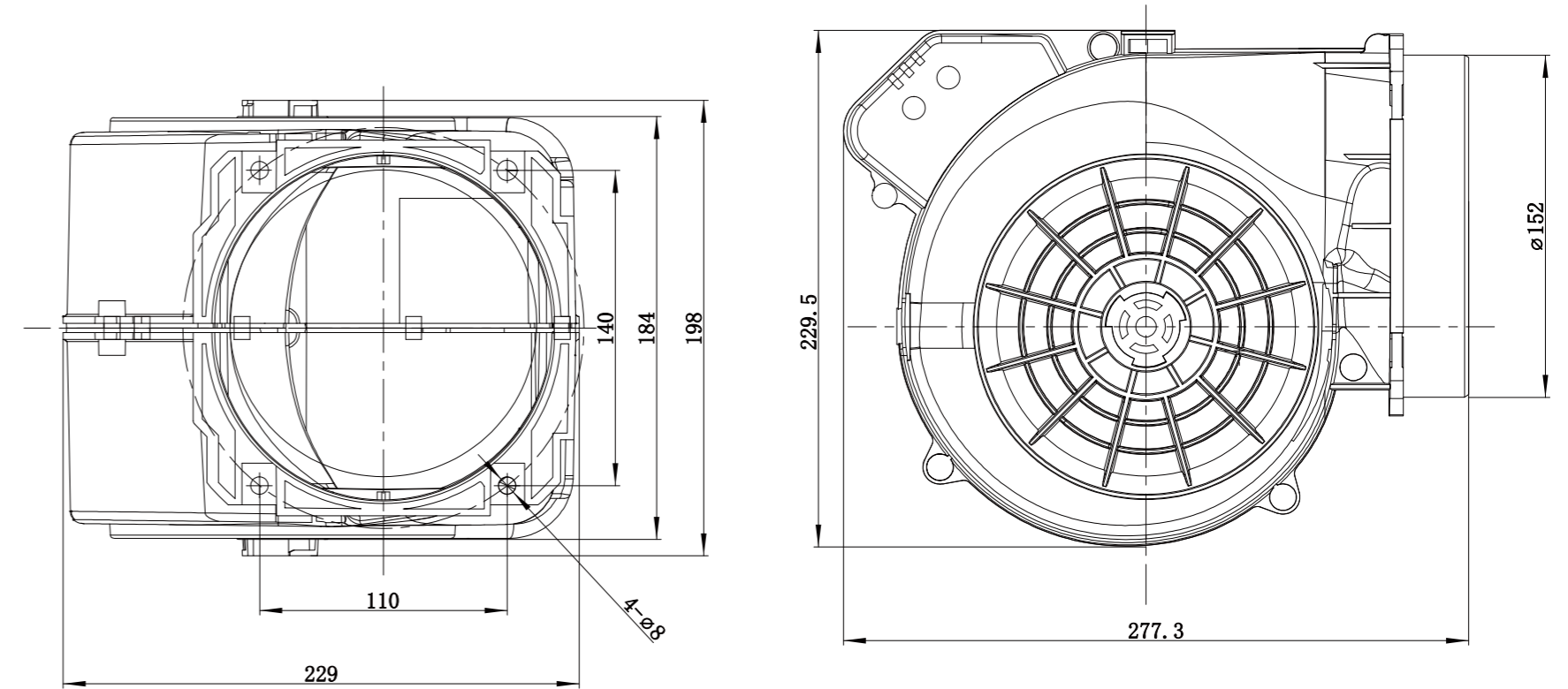
- Material : Plastic
- Mode of operation: S1
- Type of operation: IP54
- Insulation class: F
- Bearing: Maintenance-free ball bearings
- Operation Temperature: -30~+60 C



## Technical Specifications

| Model              | Voltage (V) | Frequency (Hz) | Power (W) | Current (A) | Speed (RPM) | Air Flow (m³/h) | Air Pressure (Pa) | Noise [dB(A)] | Curve |
|--------------------|-------------|----------------|-----------|-------------|-------------|-----------------|-------------------|---------------|-------|
| LWFE3G146-072DS-04 | 230         | 50/60          | 115       | 0.85        | 2400        | 752             | 567               | 66            | /     |

## Product Drawing (mm)



# LWFE-146 Series

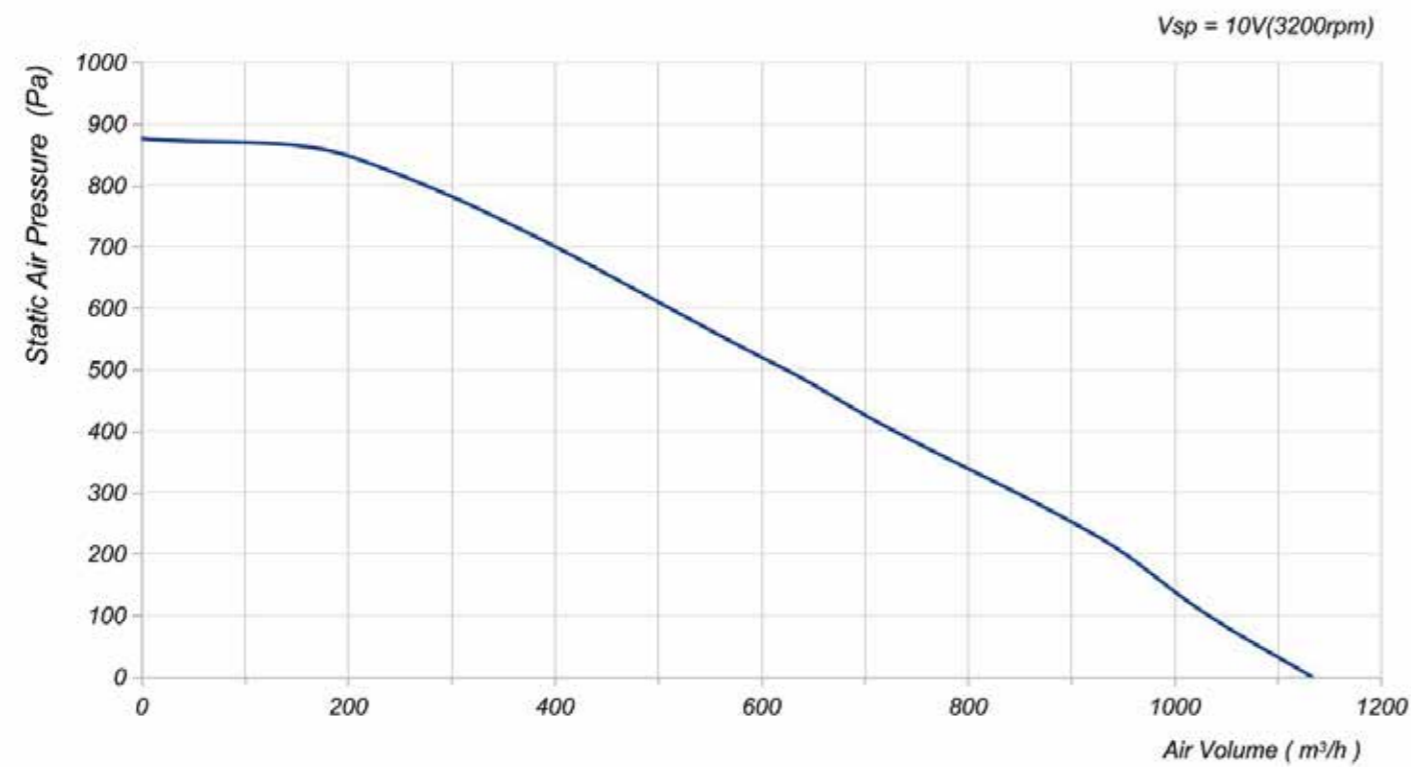
## Product Characteristic

- Material : Plastic
- Mode of operation: S1
- Type of operation: IP55
- Insulation class: B
- Bearing: Maintenance-free ball bearings
- Operation Temperature: -25~+60 °C

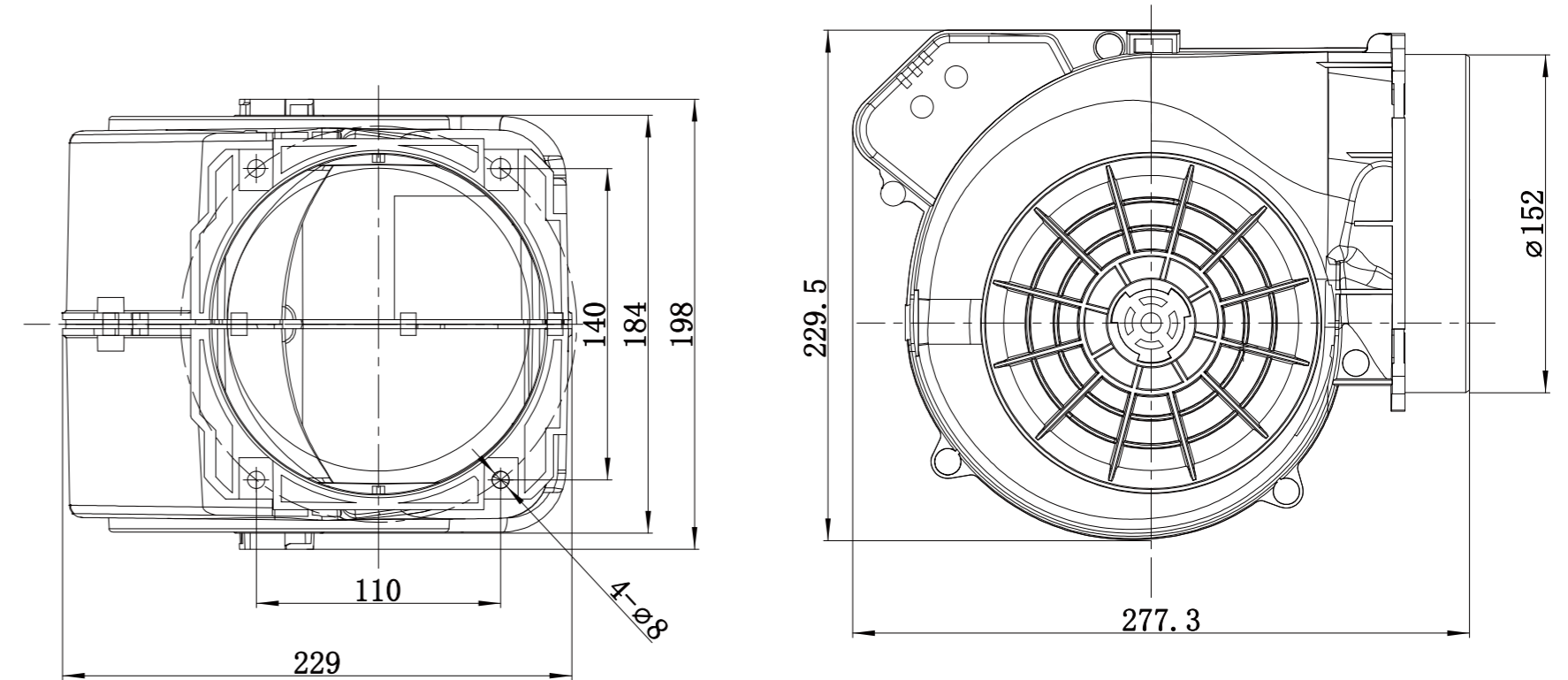


## Technical Specifications

| Model              | Voltage (V) | Frequency (Hz) | Power (W) | Current (A) | Speed (RPM) | Air Flow (m³/h) | Air Pressure (Pa) | Noise [dB(A)] | Curve |
|--------------------|-------------|----------------|-----------|-------------|-------------|-----------------|-------------------|---------------|-------|
| LWFE3G146-092DS-05 | 230         | 50/60          | 220       | 1.6         | 3200        | 1133            | 876               | 74            | /     |



## Product Drawing (mm)



# ***DC Dual Inlet Forward Centrifugal Fans***

- Permanent magnet materials
- Chip stereoscopic heat dissipation
- Advanced 3D design impeller
- Oblique magnetization technology
- External rotor motor design
- IP54 Water-proof design



# LWFD-133 Series

## Product Characteristic

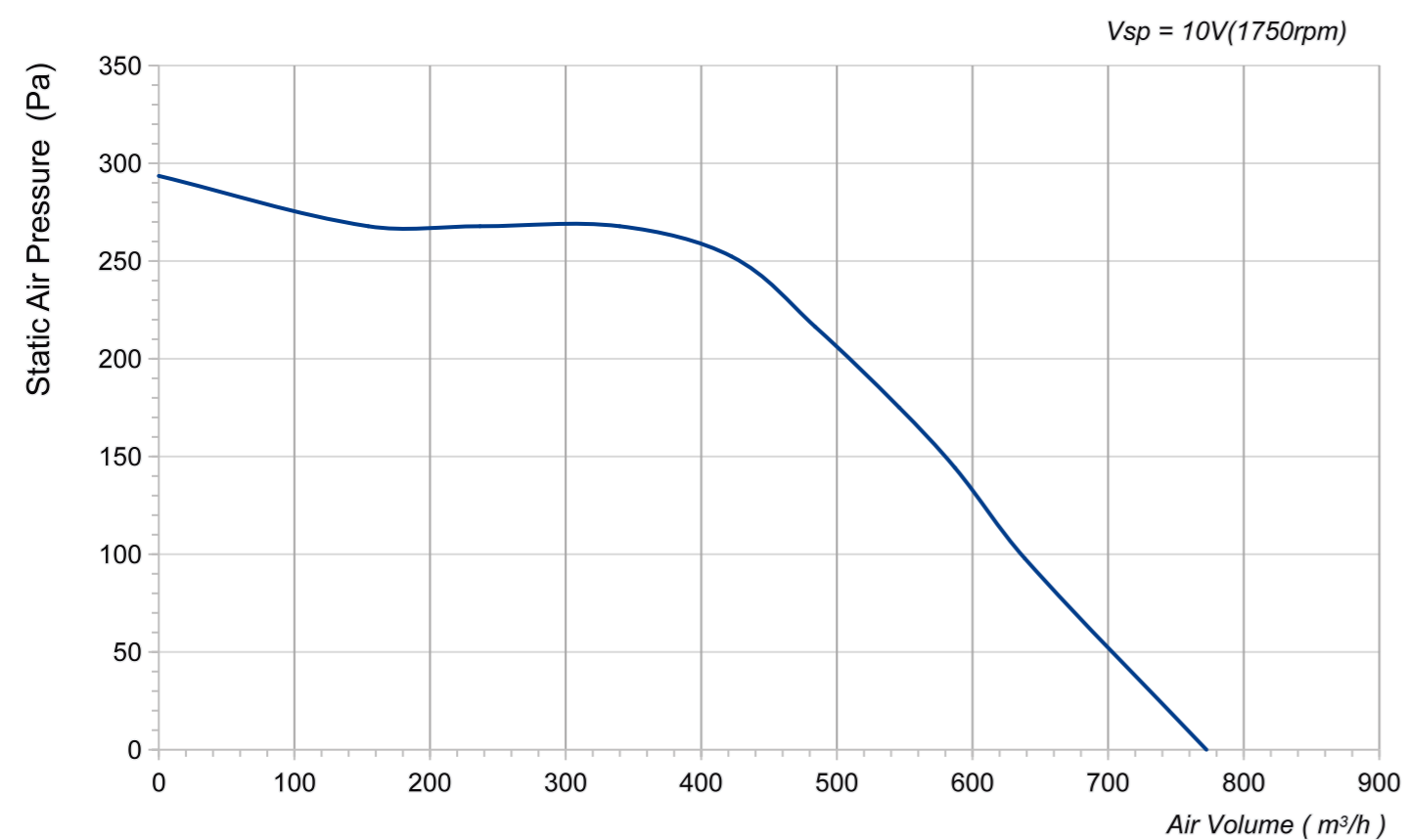
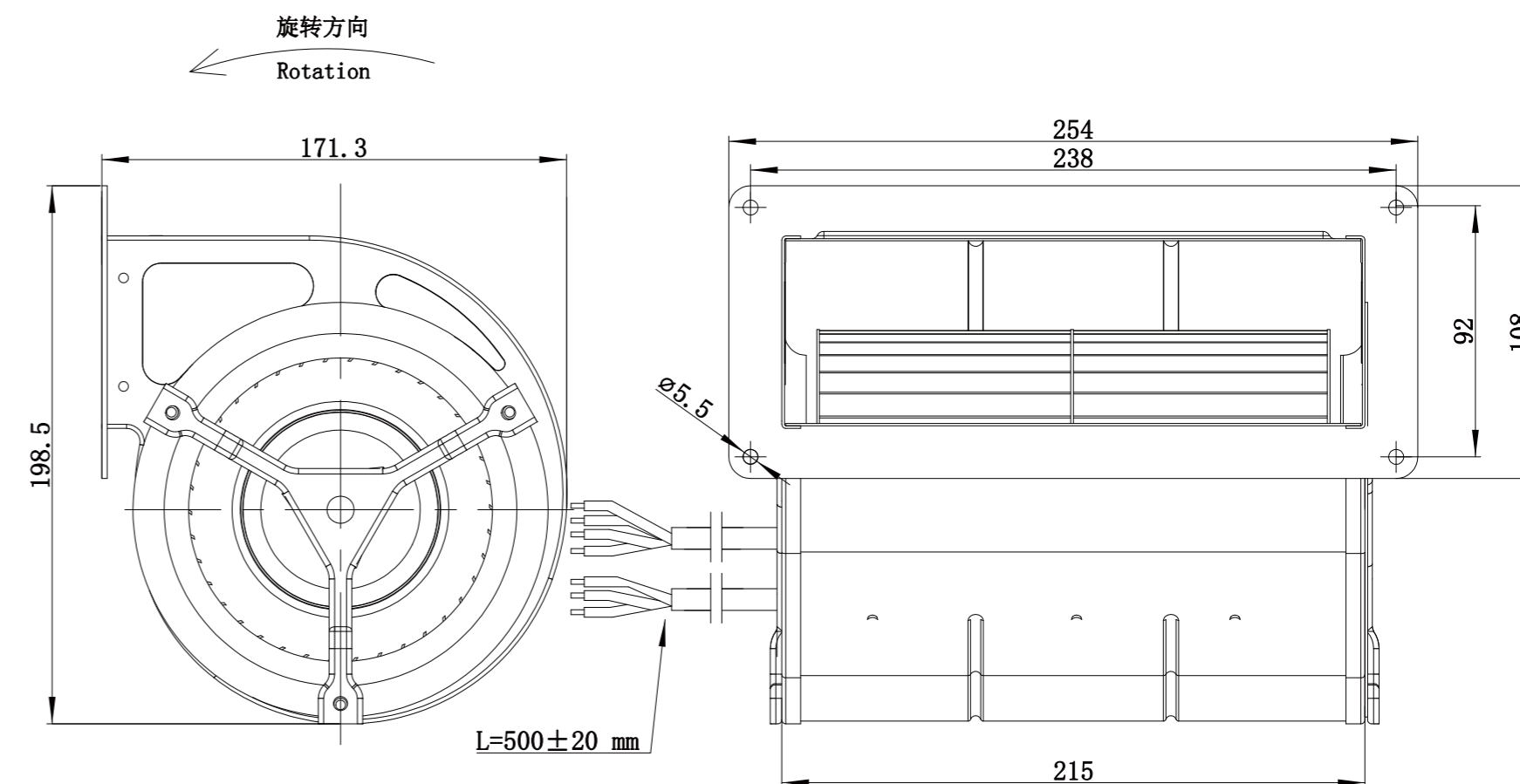
- Material : Galvanised sheet steel
- Mode of operation: S1
- Type of operation: IP54
- Insulation class: F
- Bearing: Maintenance-free ball bearings
- Operation Temperature: -30~+60 C



## Technical Specifications

| Model              | Voltage (V) | Power (W) | Current (A) | Speed (RPM) | Air Flow (m³/h) | Air Pressure (Pa) | Noise [dB(A)] | Curve |
|--------------------|-------------|-----------|-------------|-------------|-----------------|-------------------|---------------|-------|
| LWFD3G133-092DM-01 | 24          | 110       | 4.6         | 1750        | 773             | 294               | 66            | /     |

## Product Drawing (mm)



# LWFD-133 Series

## Product Characteristic

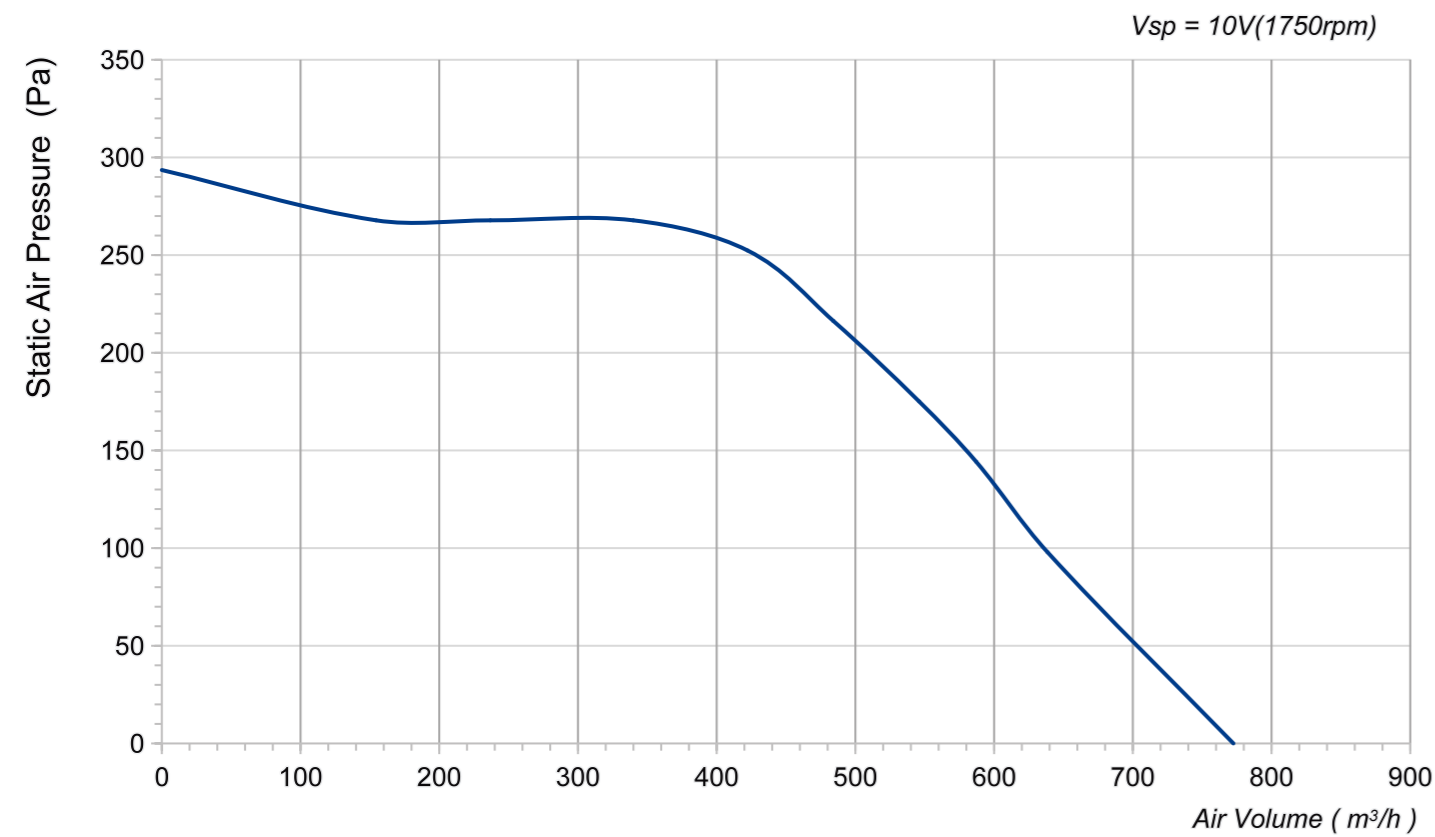
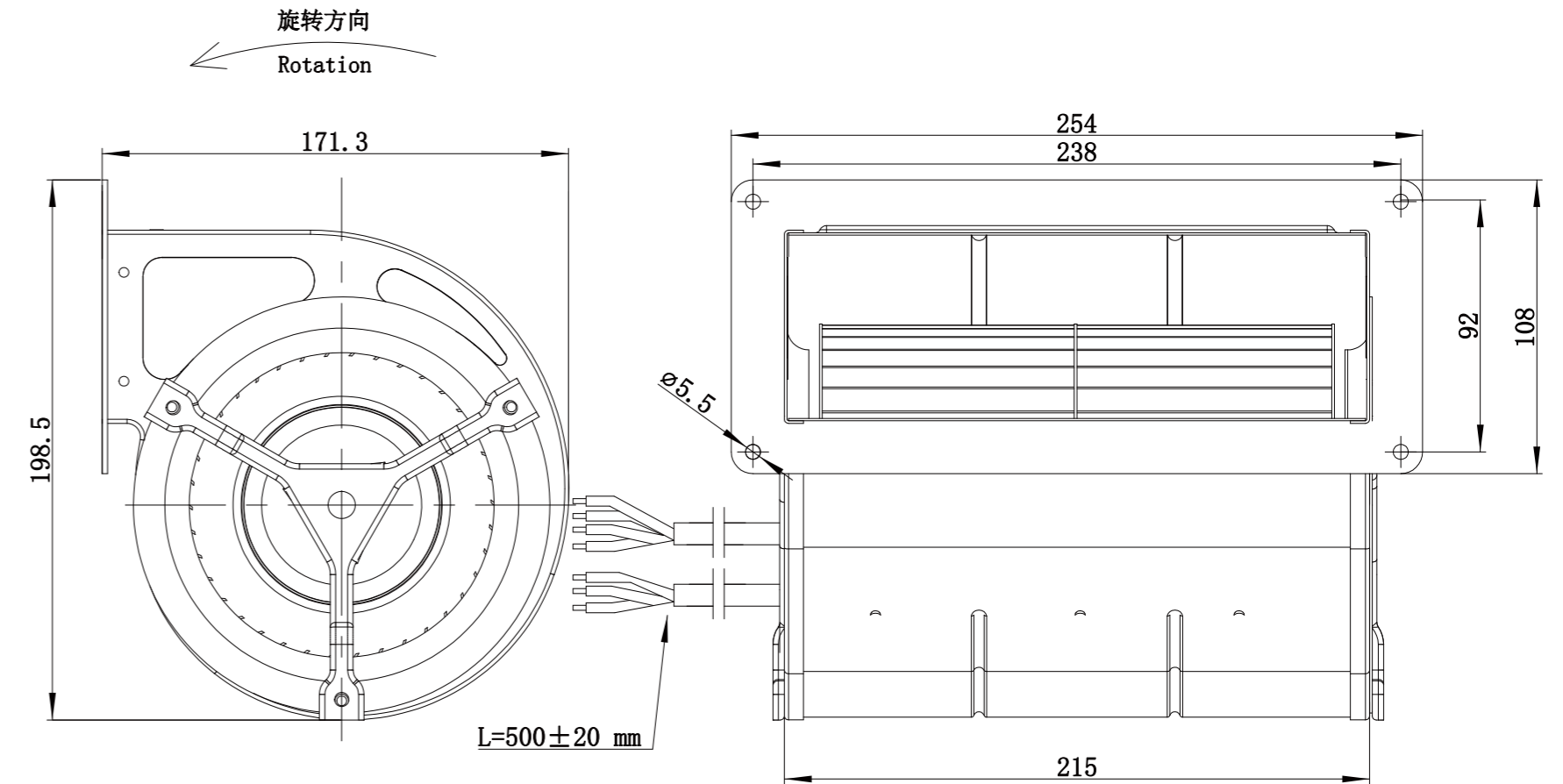
- Material : Galvanised sheet steel
- Mode of operation: S1
- Type of operation: IP54
- Insulation class: F
- Bearing: Maintenance-free ball bearings
- Operation Temperature: -30~+60 C



## Technical Specifications

| Model              | Voltage (V) | Power (W) | Current (A) | Speed (RPM) | Air Flow (m³/h) | Air Pressure (Pa) | Noise [dB(A)] | Curve |
|--------------------|-------------|-----------|-------------|-------------|-----------------|-------------------|---------------|-------|
| LWFD3G133-092DH-01 | 48          | 110       | 2.3         | 1750        | 773             | 294               | 66            | /     |

## Product Drawing (mm)



# LWFD-133 Series

## Product Characteristic

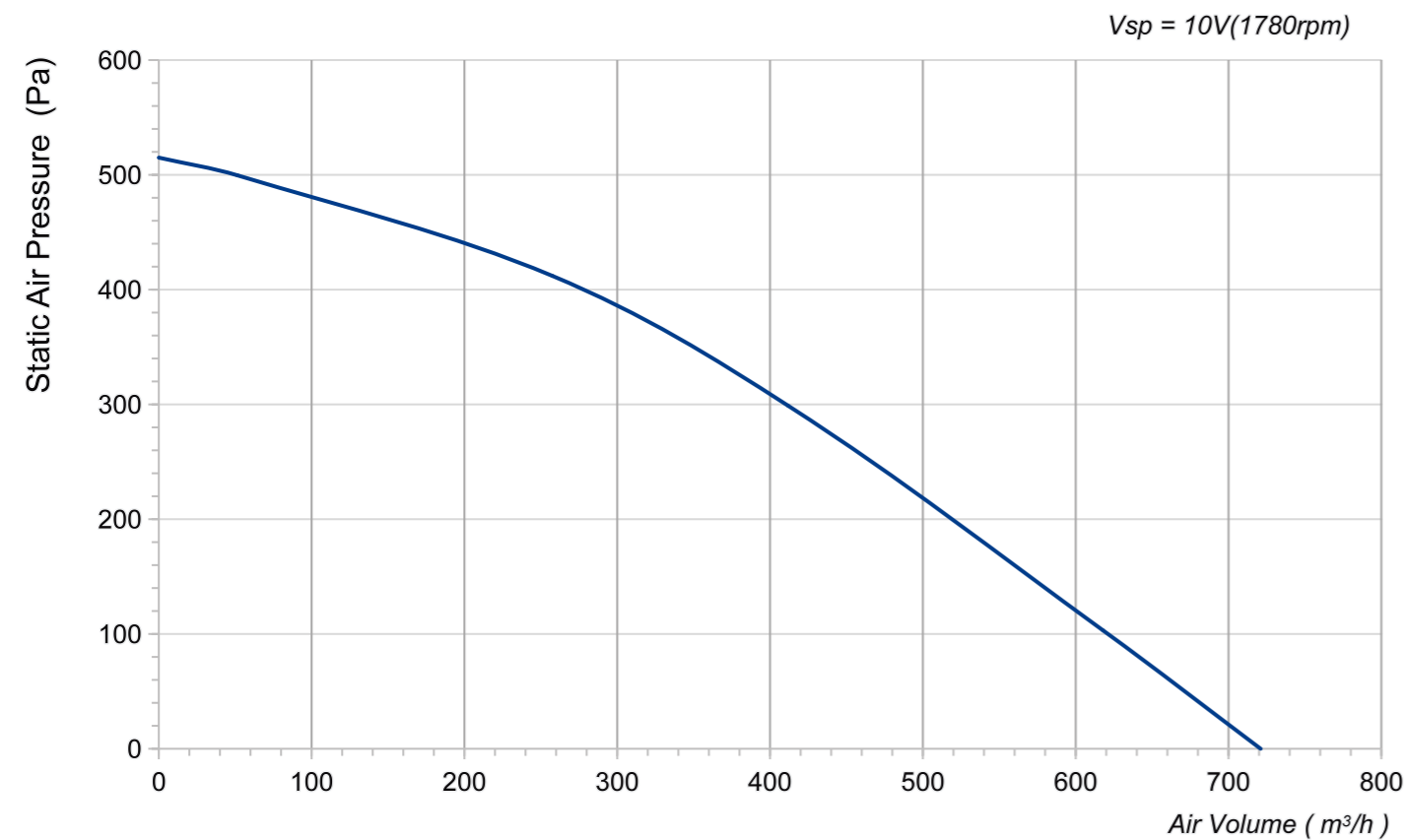
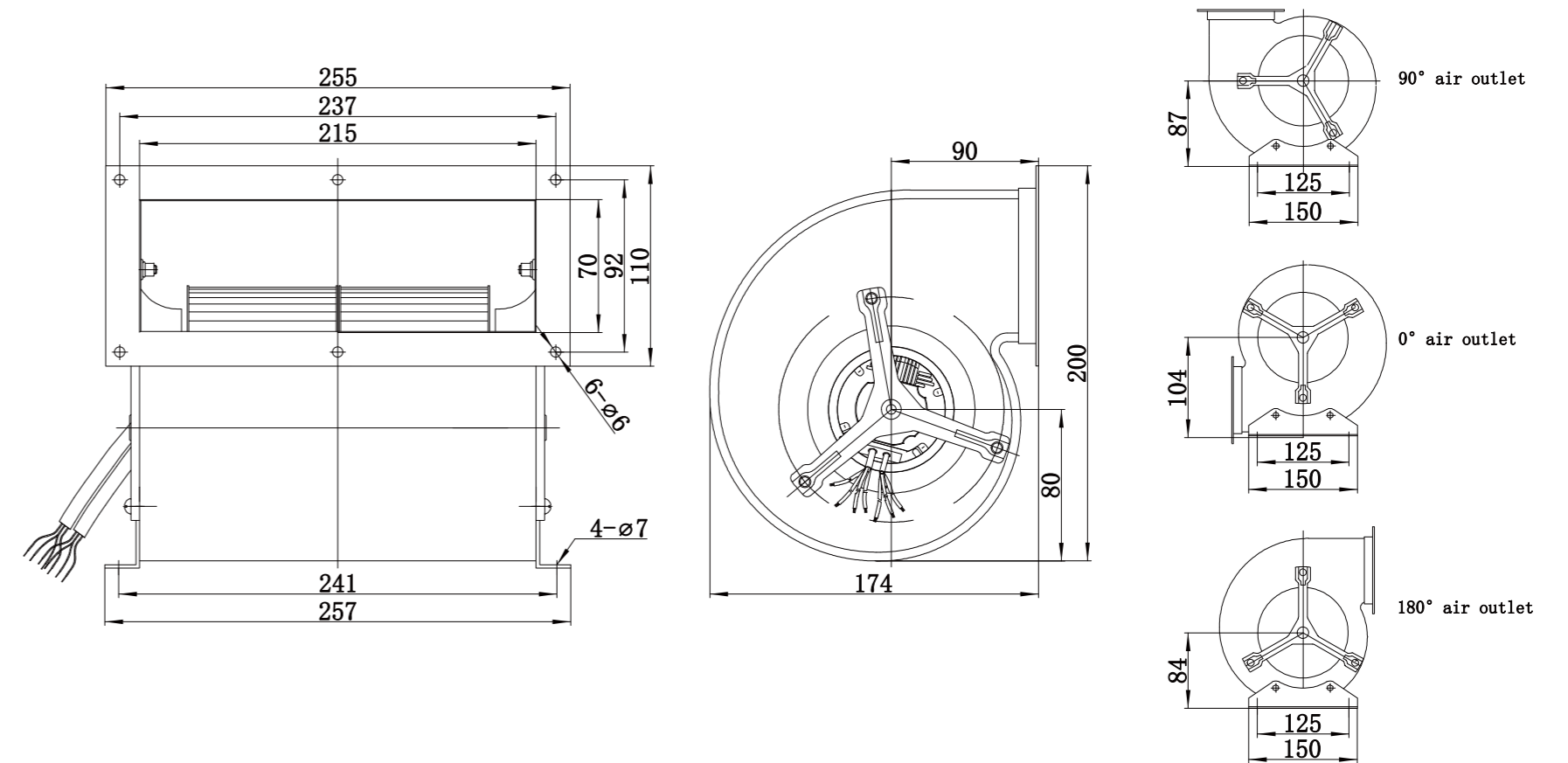
- Material : Galvanised sheet steel
- Mode of operation: S1
- Type of operation: IP54
- Insulation class: F
- Bearing: Maintenance-free ball bearings
- Operation Temperature: -30~+60 C



## Technical Specifications

| Model              | Voltage (V) | Power (W) | Current (A) | Speed (RPM) | Air Flow (m³/h) | Air Pressure (Pa) | Noise [dB(A)] | Curve |
|--------------------|-------------|-----------|-------------|-------------|-----------------|-------------------|---------------|-------|
| LWFD3G133-072DM-02 | 24          | 105       | 5.6         | 1780        | 721             | 515               | 62            | /     |

## Product Drawing (mm)



# LWFD-133 Series

## Product Characteristic

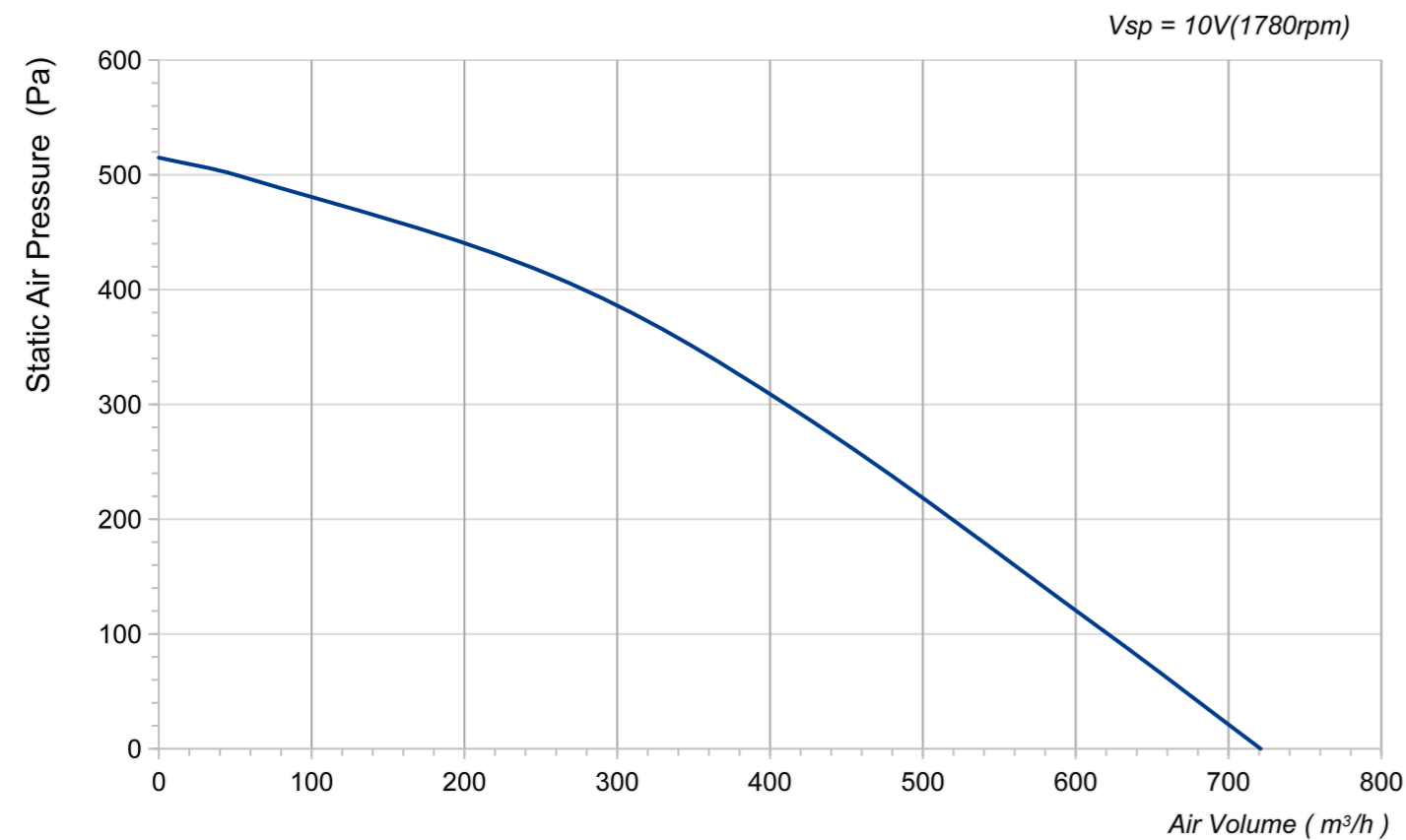
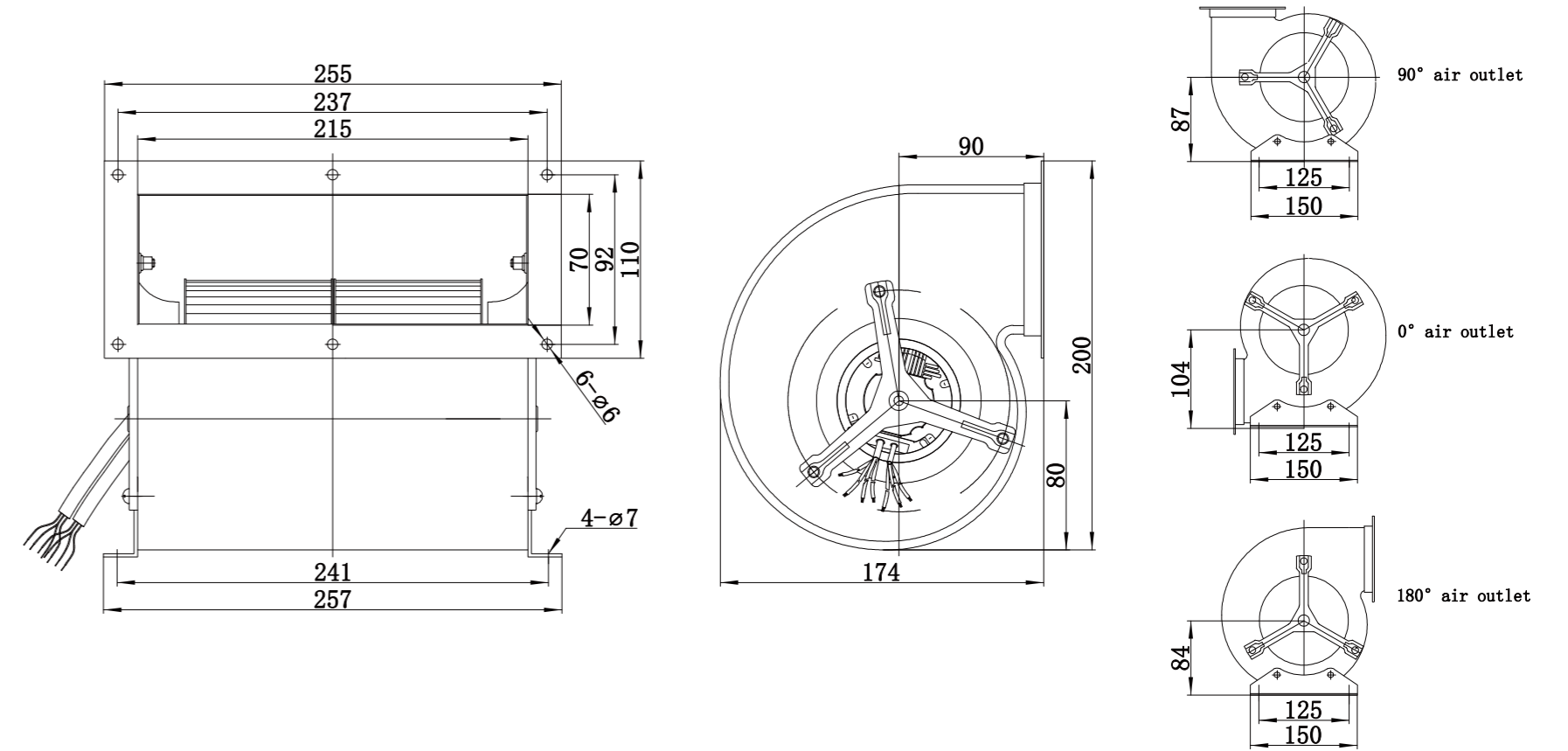
- Material : Galvanised sheet steel
- Mode of operation: S1
- Type of operation: IP54
- Insulation class: F
- Bearing: Maintenance-free ball bearings
- Operation Temperature: -30~+60 C



## Technical Specifications

| Model              | Voltage (V) | Power (W) | Current (A) | Speed (RPM) | Air Flow (m³/h) | Air Pressure (Pa) | Noise [dB(A)] | Curve |
|--------------------|-------------|-----------|-------------|-------------|-----------------|-------------------|---------------|-------|
| LWFD3G133-072DH-02 | 48          | 105       | 2.8         | 1780        | 721             | 515               | 62            | /     |

## Product Drawing (mm)



# LWFD-133 Series

## Product Characteristic

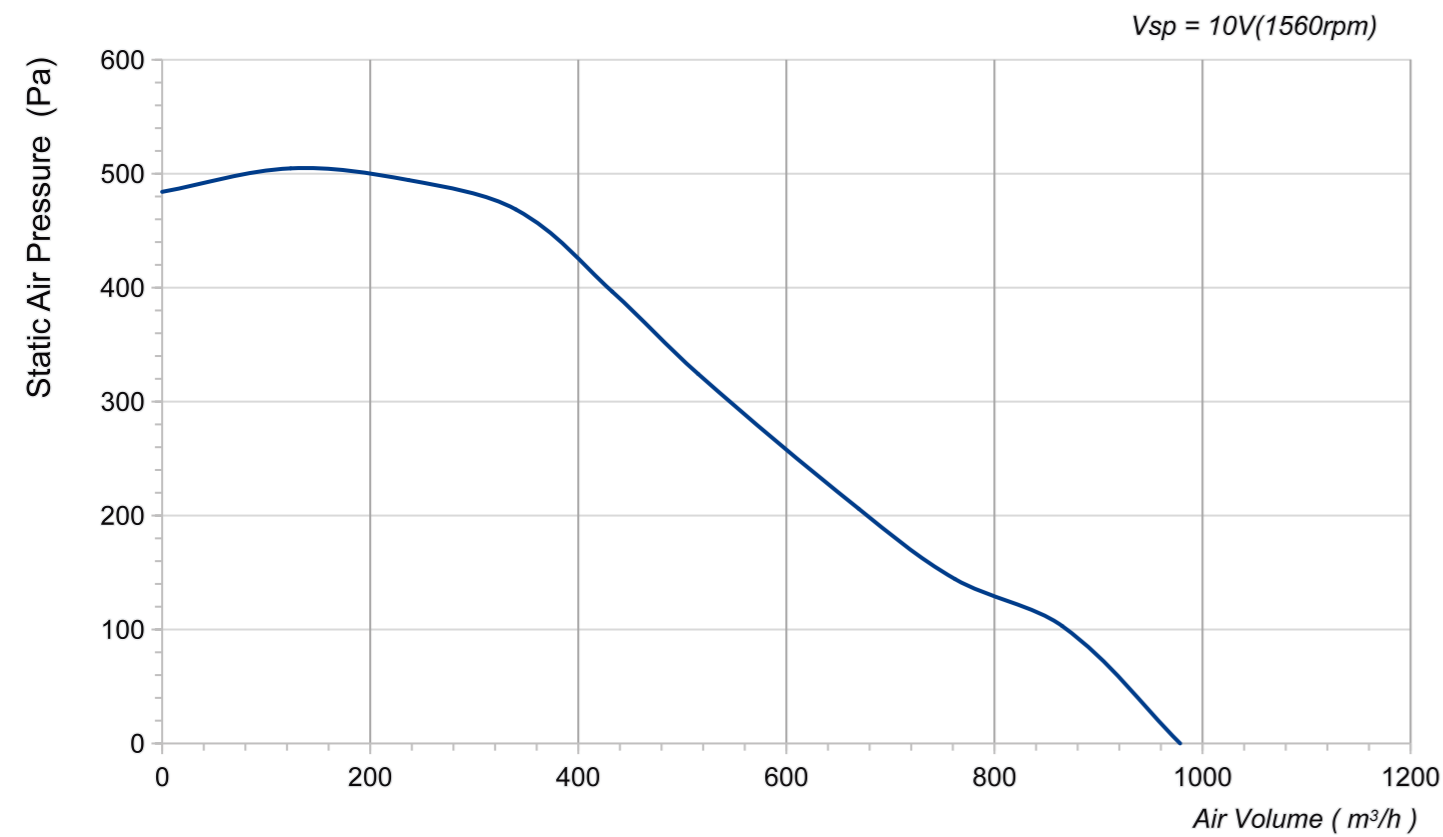
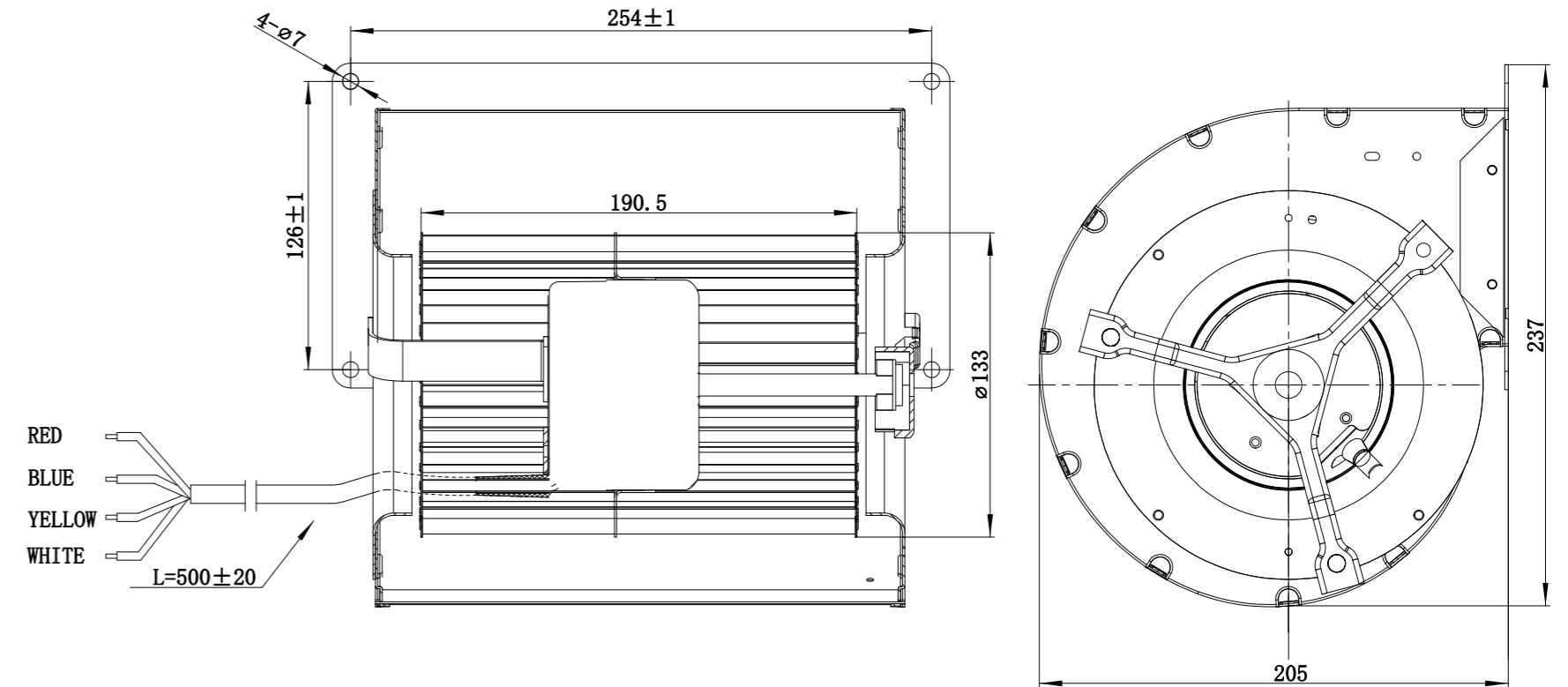
- Material : Galvanised sheet steel
- Mode of operation: S1
- Type of operation: IP54
- Insulation class: F
- Bearing: Maintenance-free ball bearings
- Operation Temperature: -30~+60 C



## Technical Specifications

| Model              | Voltage (V) | Power (W) | Current (A) | Speed (RPM) | Air Flow (m³/h) | Air Pressure (Pa) | Noise [dB(A)] | Curve |
|--------------------|-------------|-----------|-------------|-------------|-----------------|-------------------|---------------|-------|
| LWFD3G133-092DM-03 | 24          | 120       | 5           | 1560        | 979             | 484               | 68            | /     |

## Product Drawing (mm)



# LWFD-133 Series

## Product Characteristic

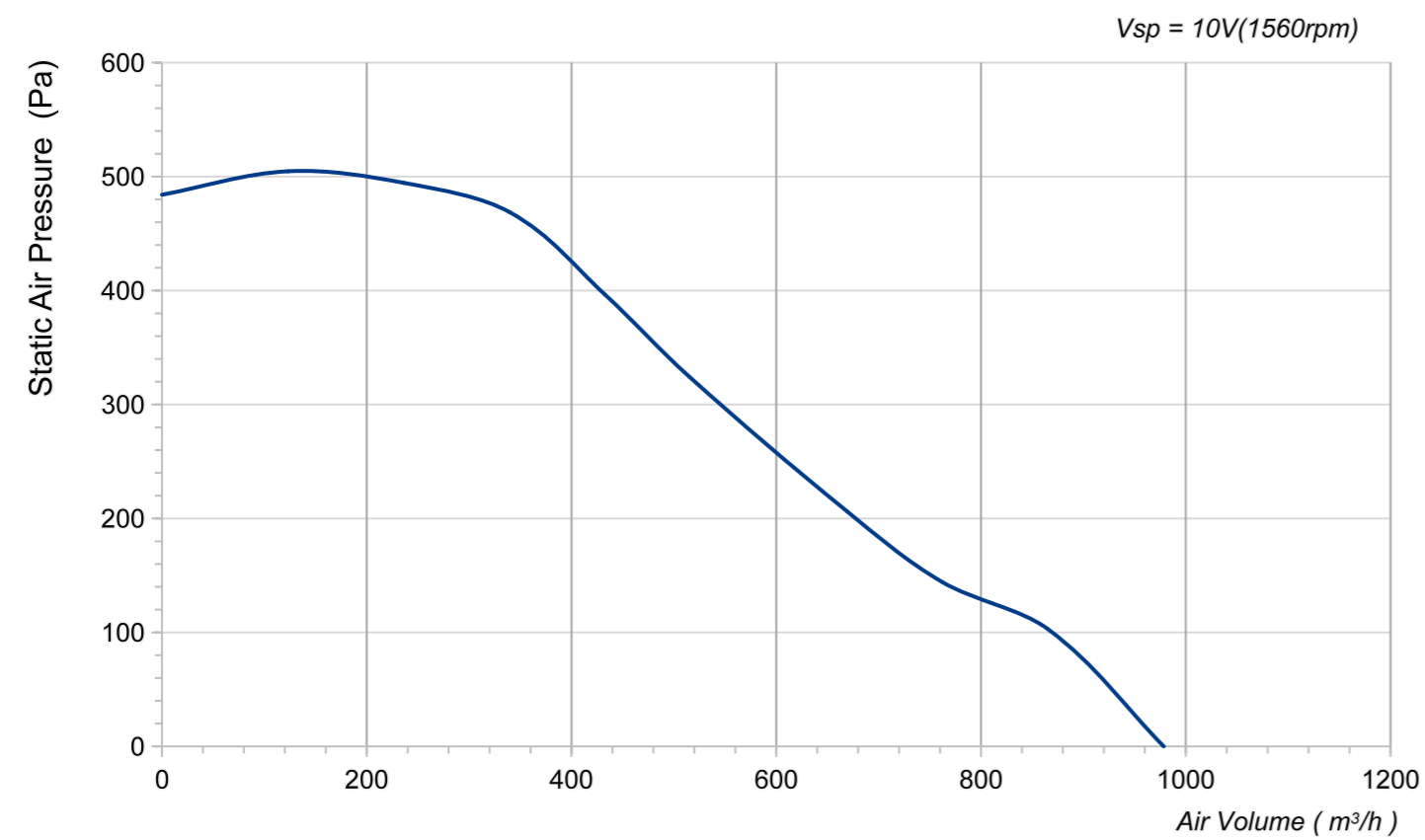
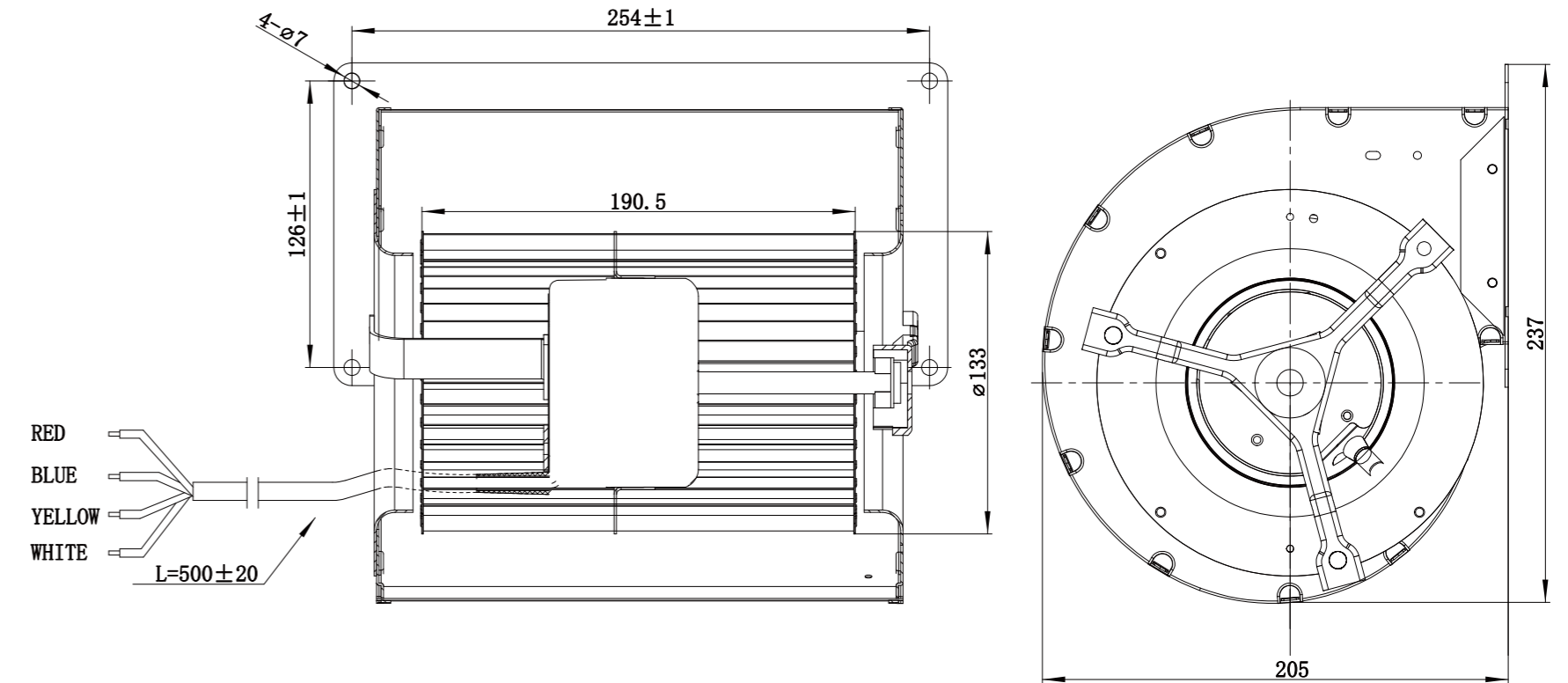
- Material : Galvanised sheet steel
- Mode of operation: S1
- Type of operation: IP54
- Insulation class: F
- Bearing: Maintenance-free ball bearings
- Operation Temperature: -30~+60 C



## Technical Specifications

| Model              | Voltage (V) | Power (W) | Current (A) | Speed (RPM) | Air Flow (m³/h) | Air Pressure (Pa) | Noise [dB(A)] | Curve |
|--------------------|-------------|-----------|-------------|-------------|-----------------|-------------------|---------------|-------|
| LWFD3G133-092DH-03 | 48          | 120       | 2.5         | 1560        | 979             | 484               | 68            | /     |

## Product Drawing (mm)



# LWFD-133 Series

## Product Characteristic

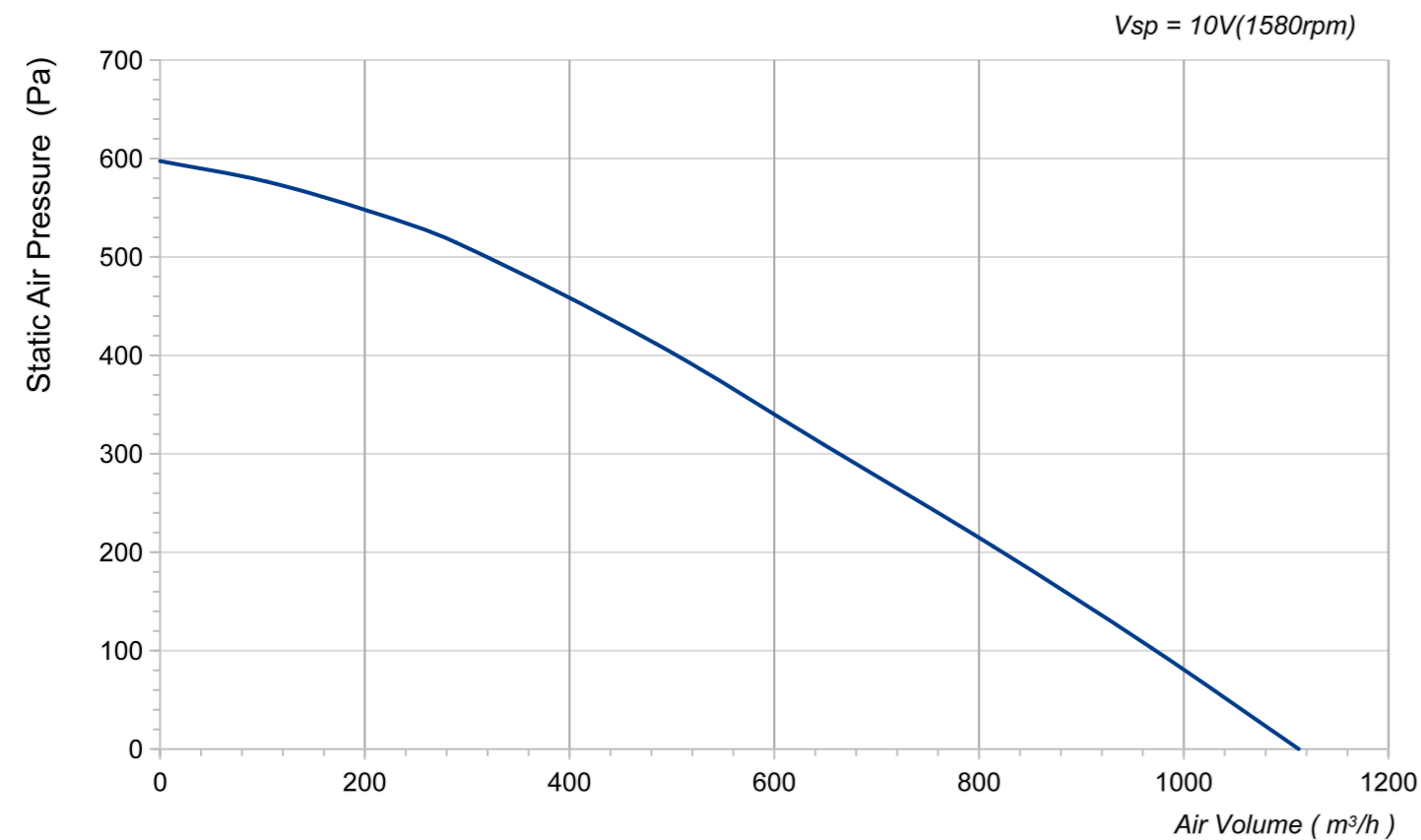
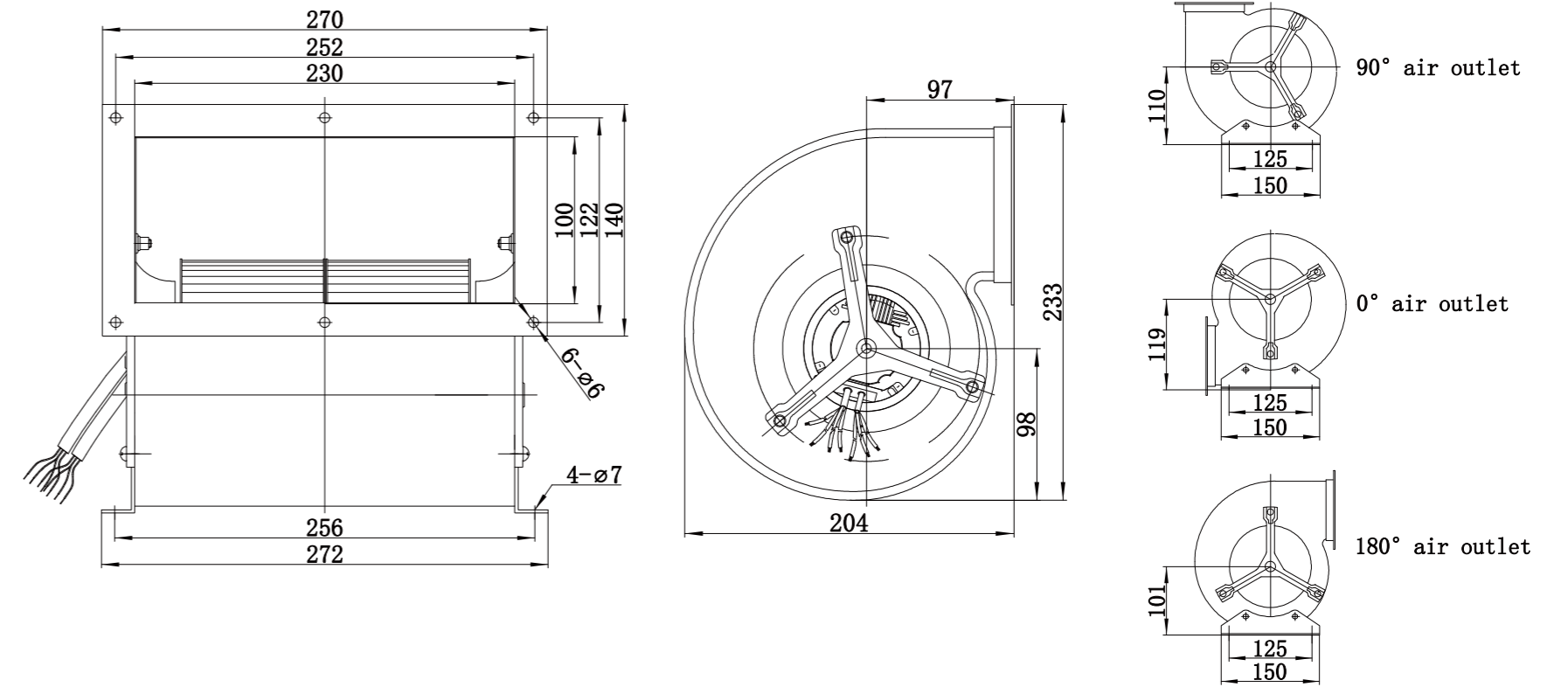
- Material : Galvanised sheet steel
- Mode of operation: S1
- Type of operation: IP54
- Insulation class: F
- Bearing: Maintenance-free ball bearings
- Operation Temperature: -30~+60 C



## Technical Specifications

| Model              | Voltage (V) | Power (W) | Current (A) | Speed (RPM) | Air Flow (m³/h) | Air Pressure (Pa) | Noise [dB(A)] | Curve |
|--------------------|-------------|-----------|-------------|-------------|-----------------|-------------------|---------------|-------|
| LWFD3G133-072DM-04 | 24          | 118       | 6           | 1580        | 1112            | 597               | 64            | /     |

## Product Drawing (mm)



# LWFD-133 Series

## Product Characteristic

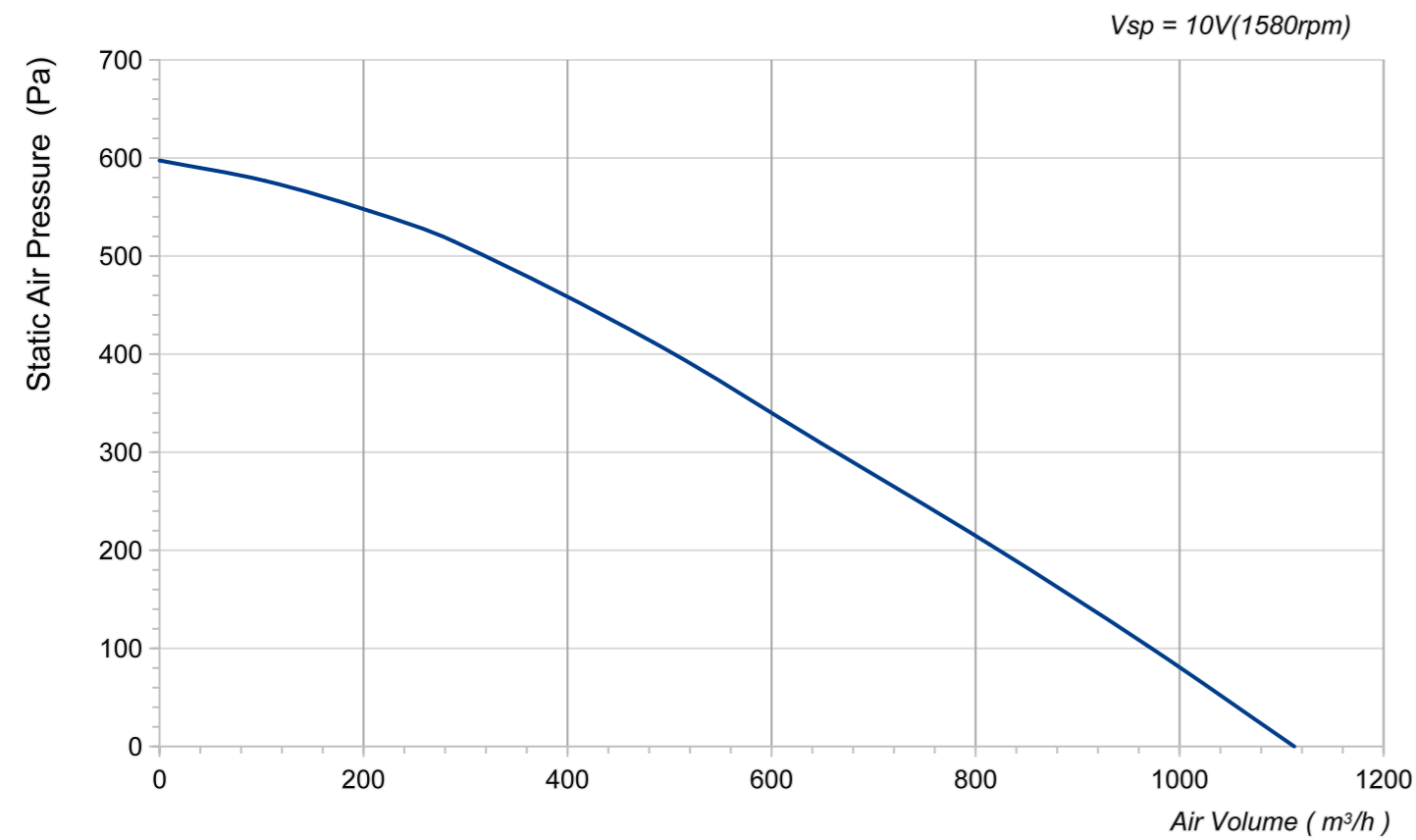
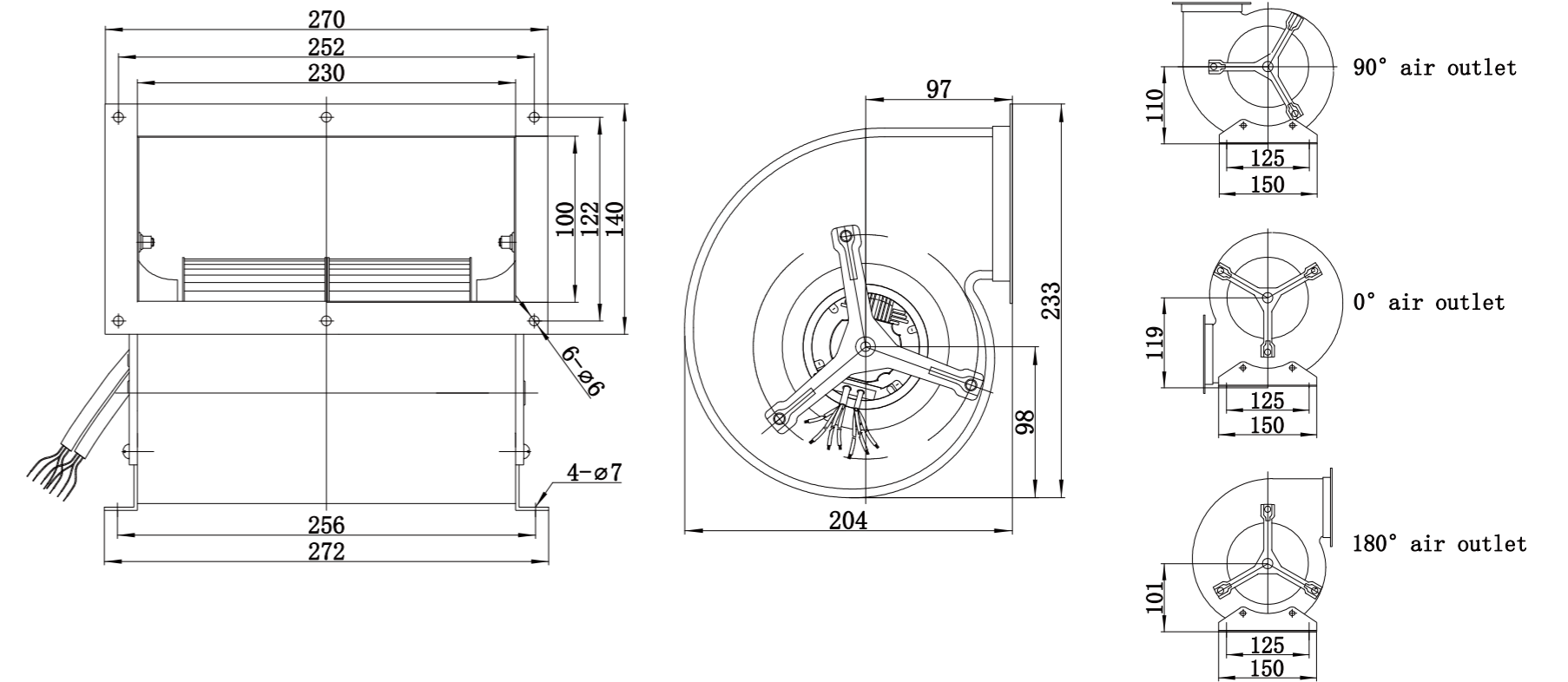
- Material : Galvanised sheet steel
- Mode of operation: S1
- Type of operation: IP54
- Insulation class: F
- Bearing: Maintenance-free ball bearings
- Operation Temperature: -30~+60 C



## Technical Specifications

| Model              | Voltage (V) | Power (W) | Current (A) | Speed (RPM) | Air Flow (m³/h) | Air Pressure (Pa) | Noise [dB(A)] | Curve |
|--------------------|-------------|-----------|-------------|-------------|-----------------|-------------------|---------------|-------|
| LWFD3G133-072DH-04 | 48          | 118       | 3           | 1580        | 1112            | 597               | 64            | /     |

## Product Drawing (mm)



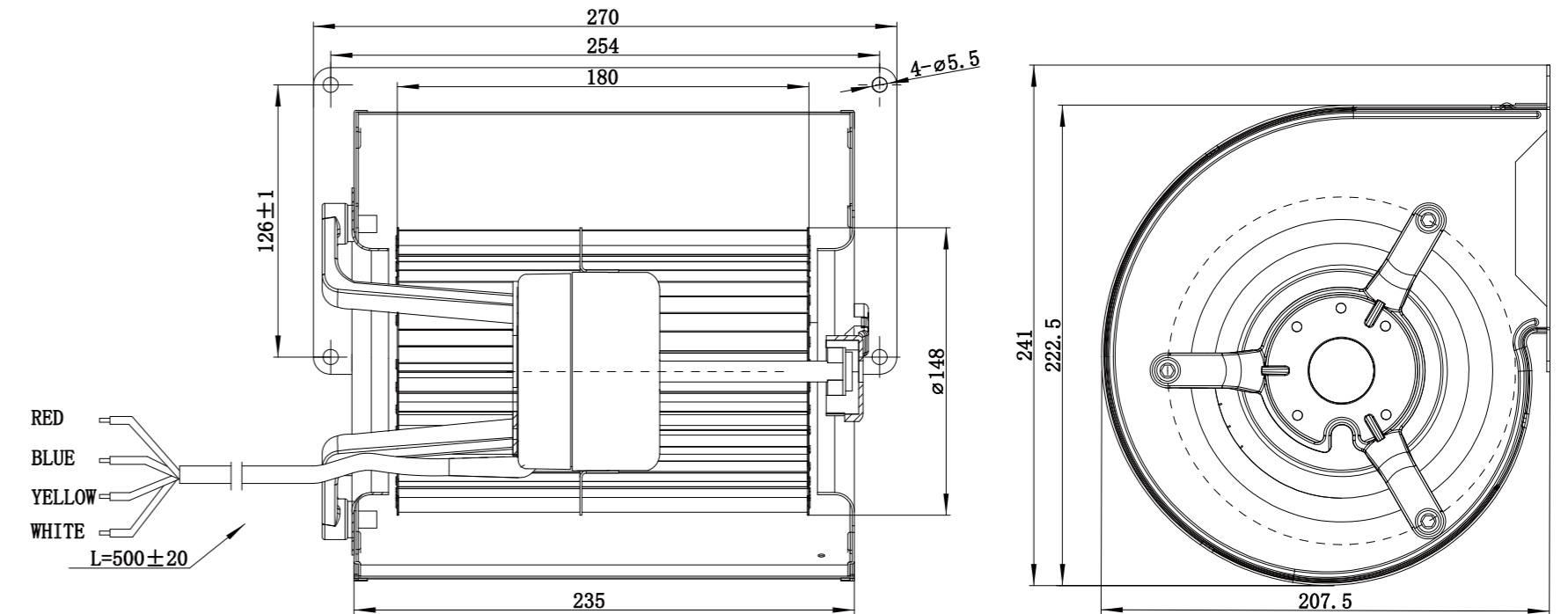
# LWFD-146 Series

## Product Characteristic

- Material : Galvanised sheet steel
- Mode of operation: S1
- Type of operation: IP54
- Insulation class: F
- Bearing: Maintenance-free ball bearings
- Operation Temperature: -30~+60 C

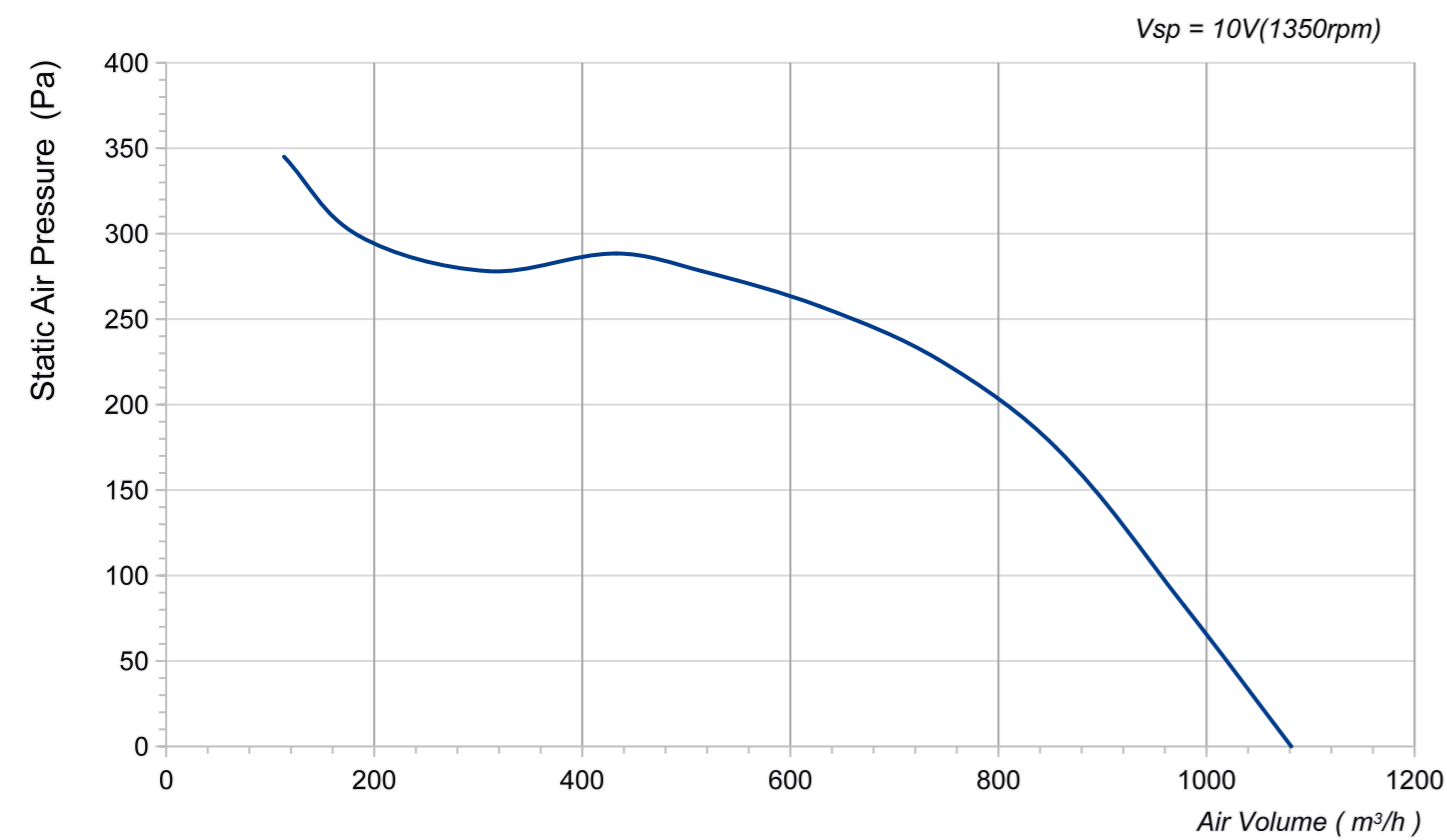


## Product Drawing (mm)



## Technical Specifications

| Model              | Voltage (V) | Power (W) | Current (A) | Speed (RPM) | Air Flow (m³/h) | Air Pressure (Pa) | Noise [dB(A)] | Curve |
|--------------------|-------------|-----------|-------------|-------------|-----------------|-------------------|---------------|-------|
| LWFD3G146-092DM-01 | 24          | 100       | 4.2         | 1350        | 1082            | 345               | 65            | /     |



# LWFD-146 Series

## Product Characteristic

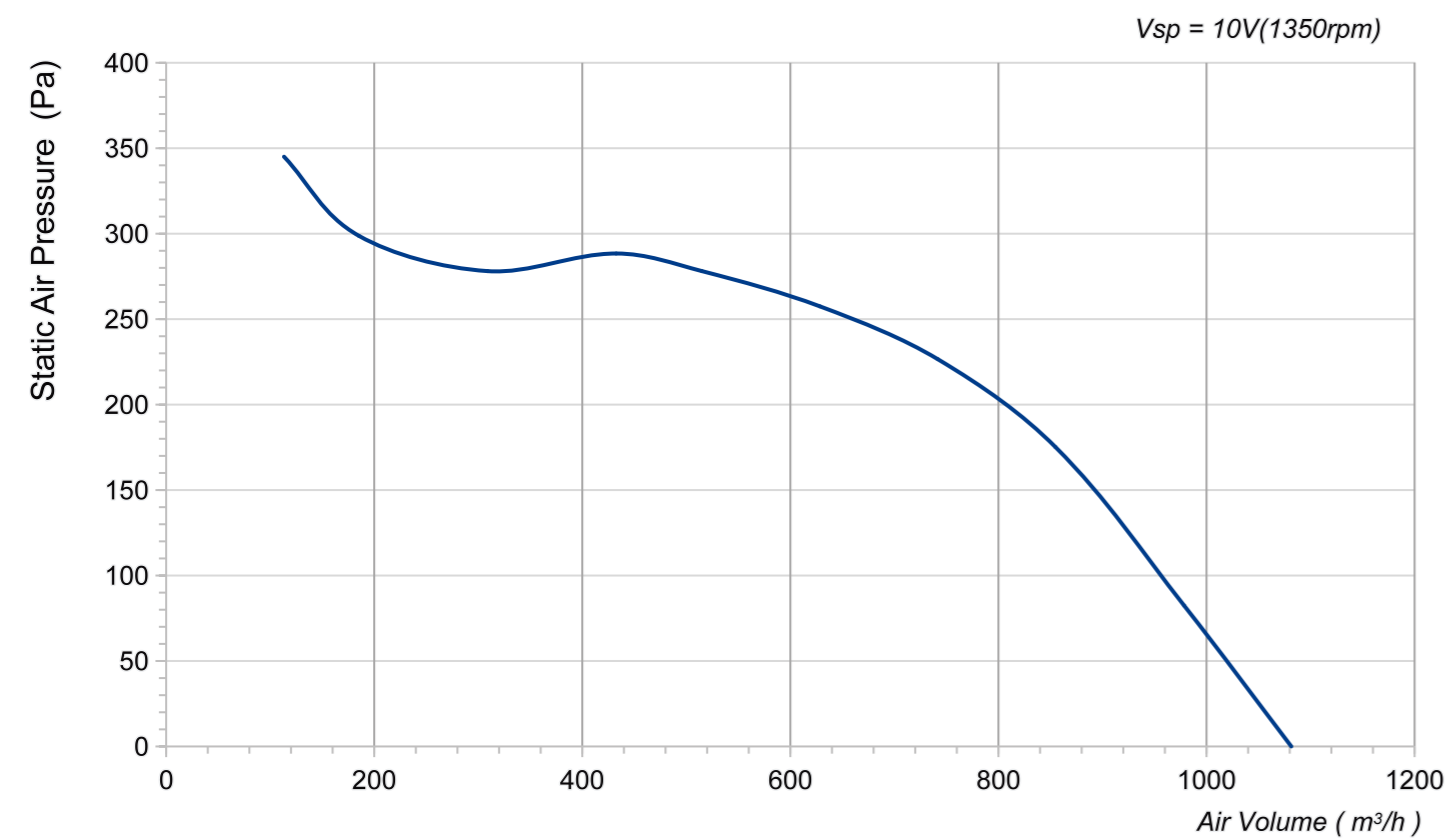
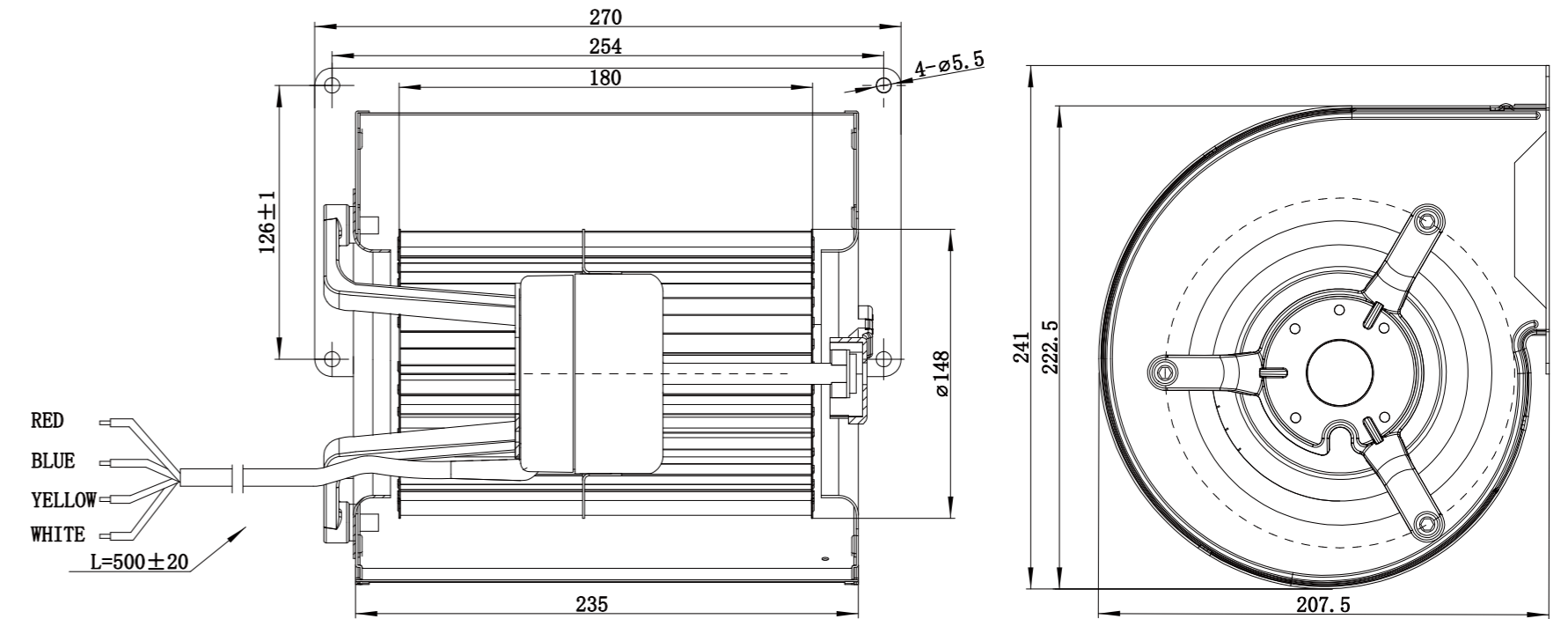
- Material : Galvanised sheet steel
- Mode of operation: S1
- Type of operation: IP54
- Insulation class: F
- Bearing: Maintenance-free ball bearings
- Operation Temperature: -30~+60 C



## Technical Specifications

| Model              | Voltage (V) | Power (W) | Current (A) | Speed (RPM) | Air Flow (m³/h) | Air Pressure (Pa) | Noise [dB(A)] | Curve |
|--------------------|-------------|-----------|-------------|-------------|-----------------|-------------------|---------------|-------|
| LWFD3G146-092DH-01 | 48          | 100       | 2.1         | 1350        | 1082            | 345               | 65            | /     |

## Product Drawing (mm)



# LWFD-133 Series

## Product Characteristic

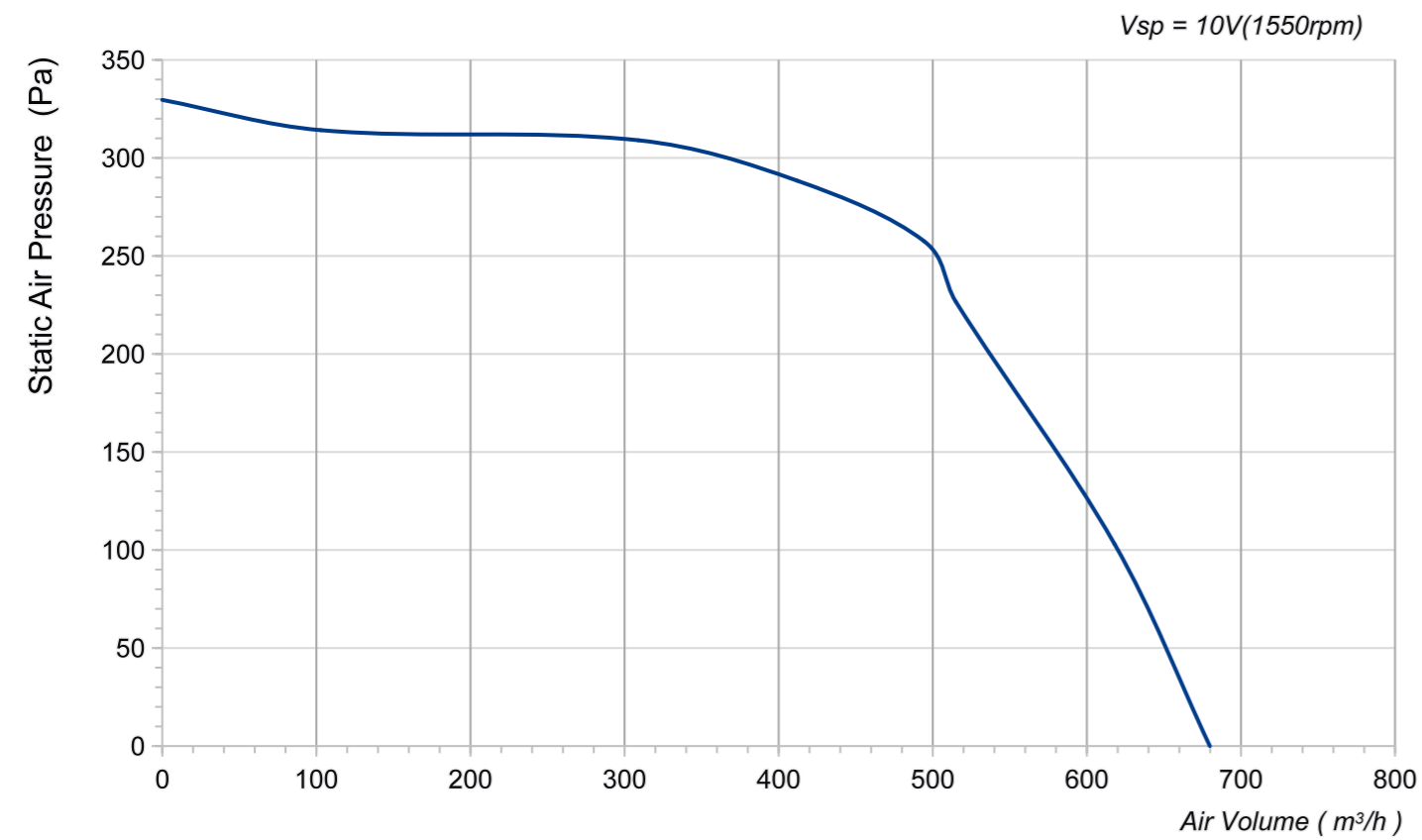
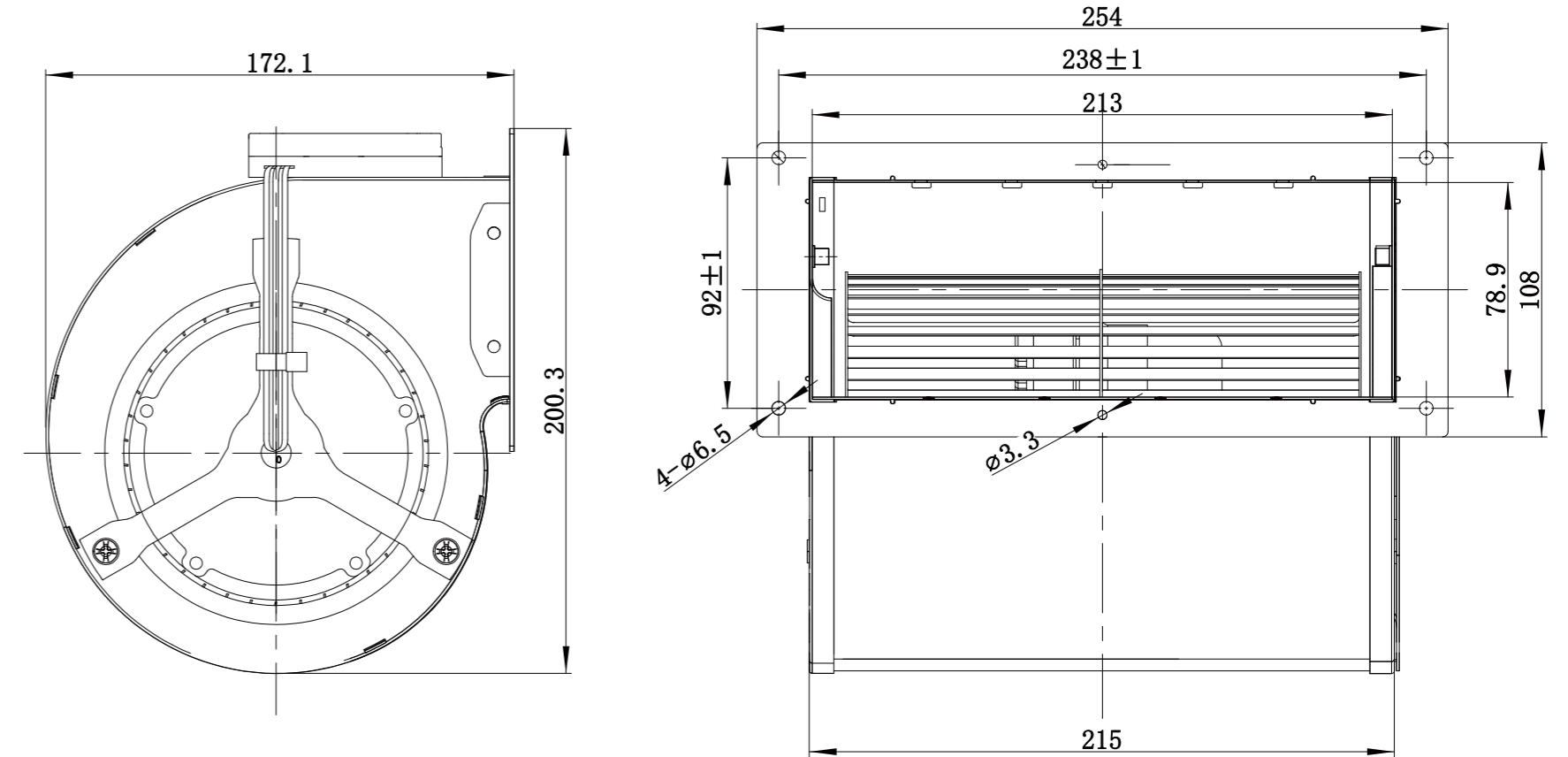
- Material : Galvanised sheet steel
- Mode of operation: S1
- Type of operation: IP54
- Insulation class: F
- Bearing: Maintenance-free ball bearings
- Operation Temperature: -30~+60 C



## Technical Specifications

| Model              | Voltage (V) | Power (W) | Current (A) | Speed (RPM) | Air Flow (m³/h) | Air Pressure (Pa) | Noise [dB(A)] | Curve |
|--------------------|-------------|-----------|-------------|-------------|-----------------|-------------------|---------------|-------|
| LWFD3G133-092DZ-01 | 310         | 80        | 0.26        | 1550        | 680             | 330               | 69            | /     |

## Product Drawing (mm)



# LWFD-133 Series

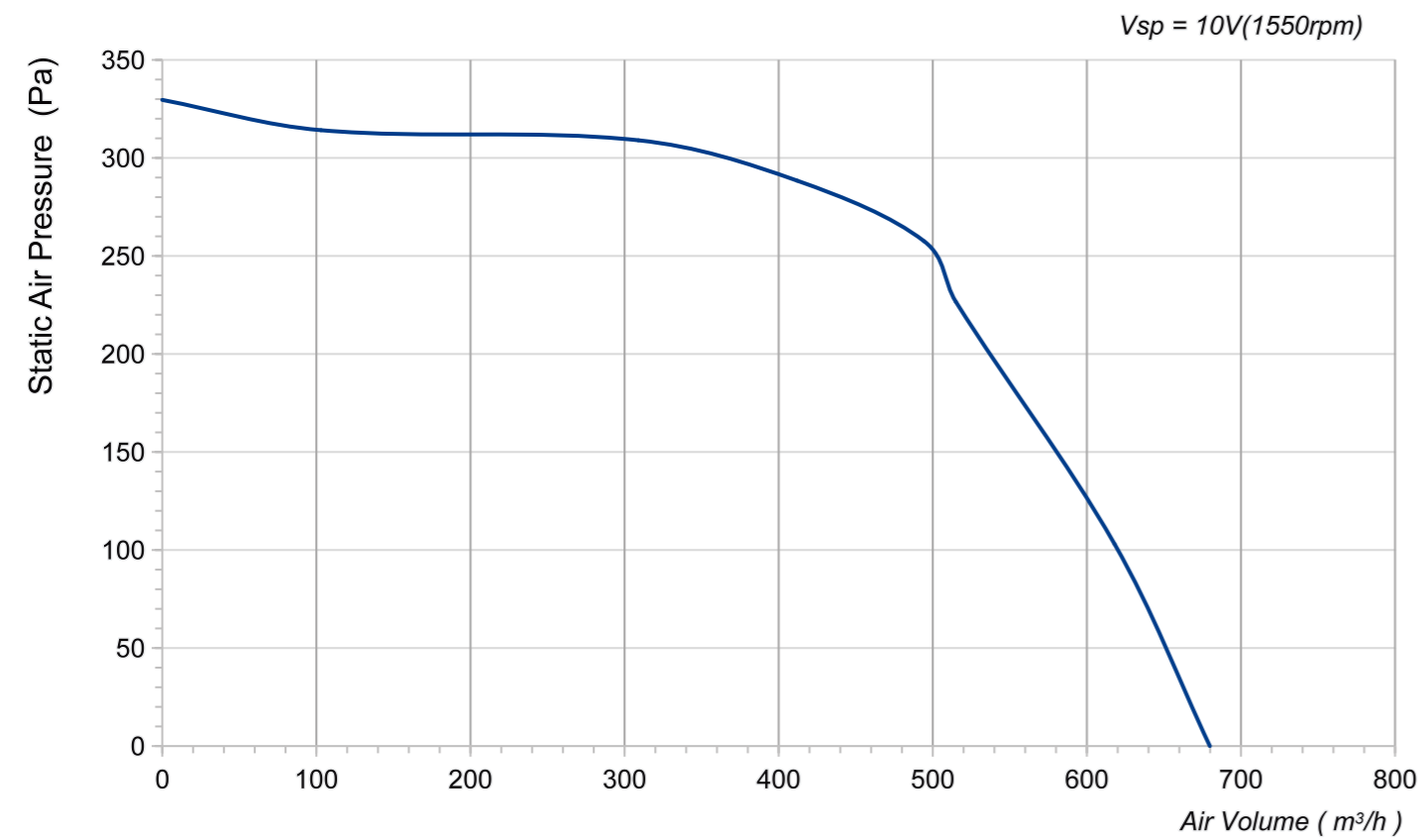
## Product Characteristic

- Material : Galvanised sheet steel
- Mode of operation: S1
- Type of operation: IP54
- Insulation class: F
- Bearing: Maintenance-free ball bearings
- Operation Temperature: -30~+60 C

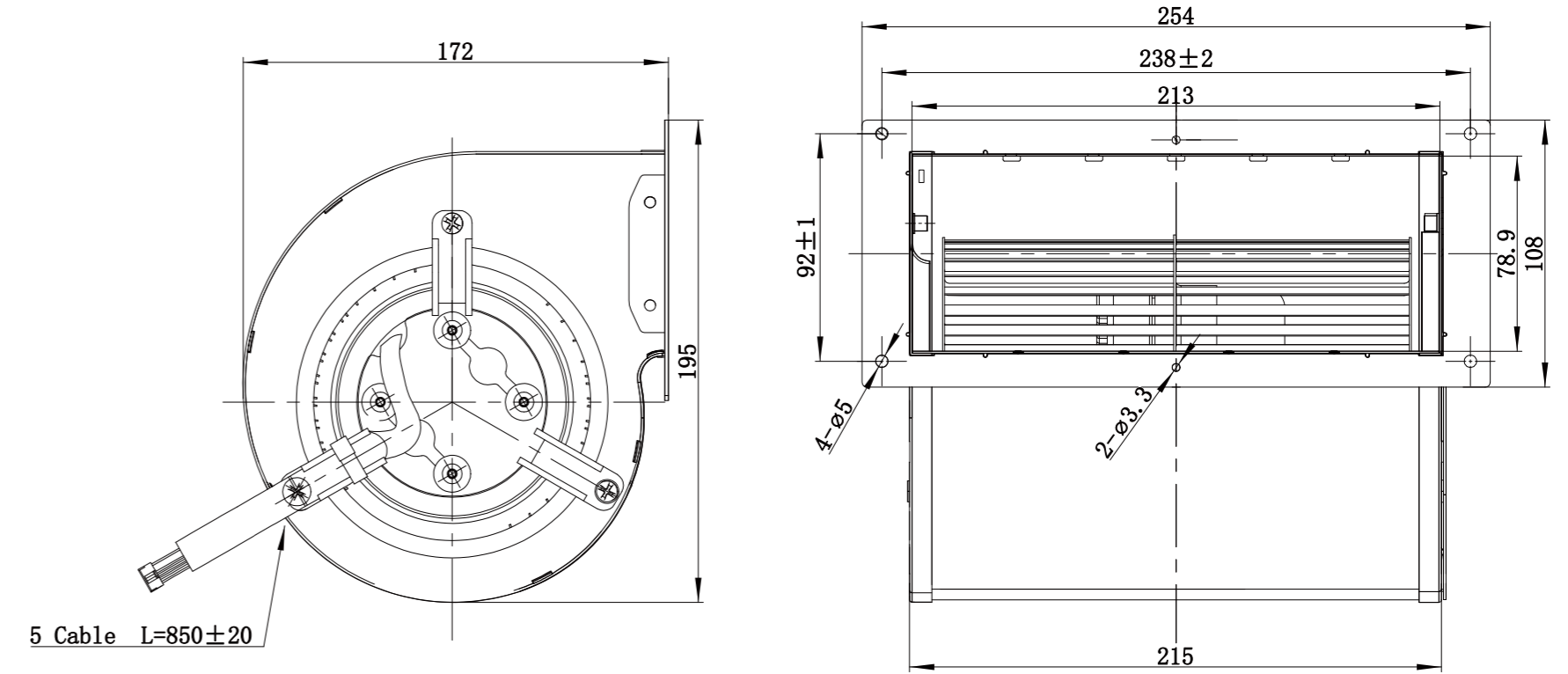


## Technical Specifications

| Model              | Voltage (V) | Power (W) | Current (A) | Speed (RPM) | Air Flow (m³/h) | Air Pressure (Pa) | Noise [dB(A)] | Curve |
|--------------------|-------------|-----------|-------------|-------------|-----------------|-------------------|---------------|-------|
| LWFD3G133-092DZ-02 | 310         | 80        | 0.26        | 1550        | 680             | 330               | 69            | /     |



## Product Drawing (mm)



# LWFD-146 Series

## Product Characteristic

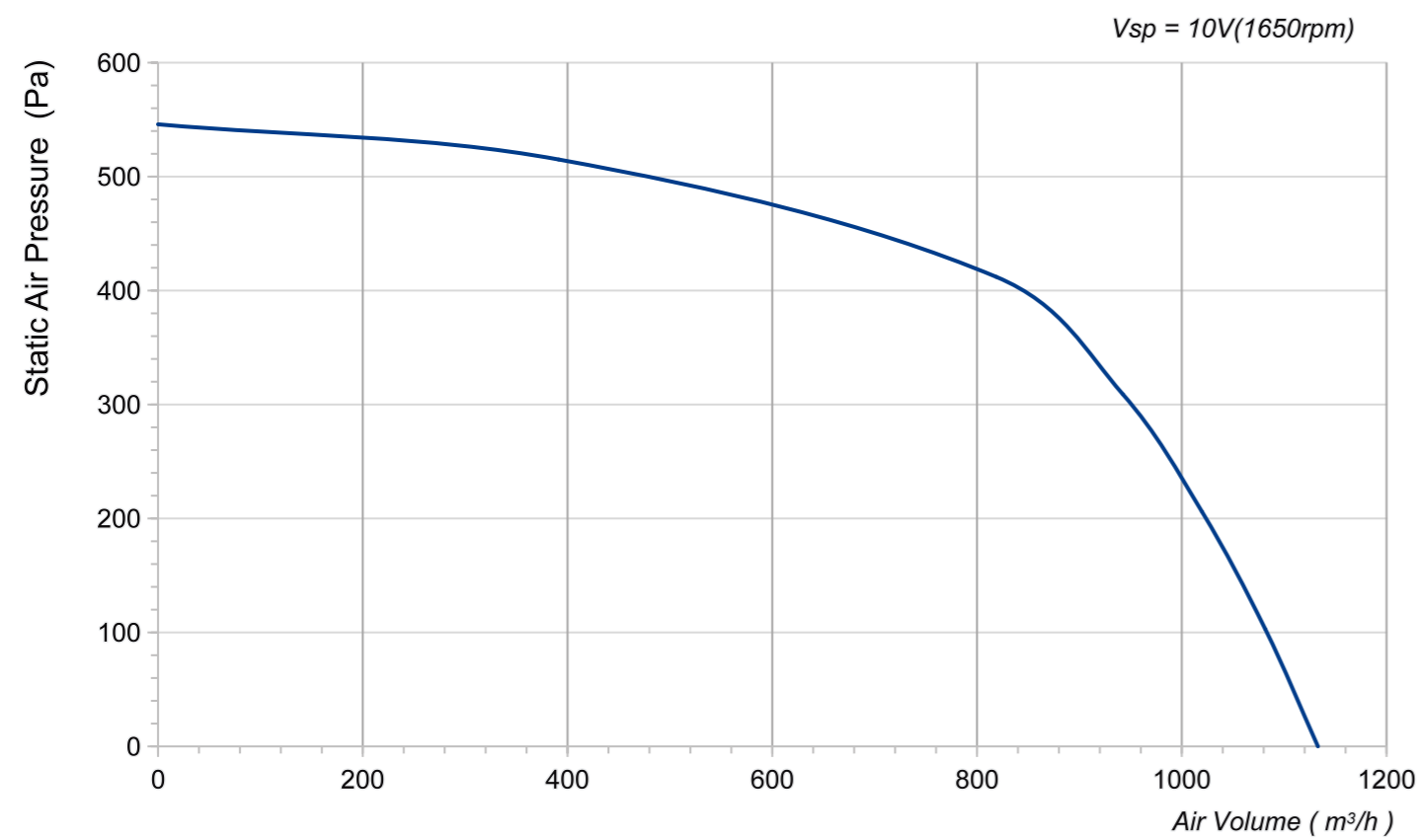
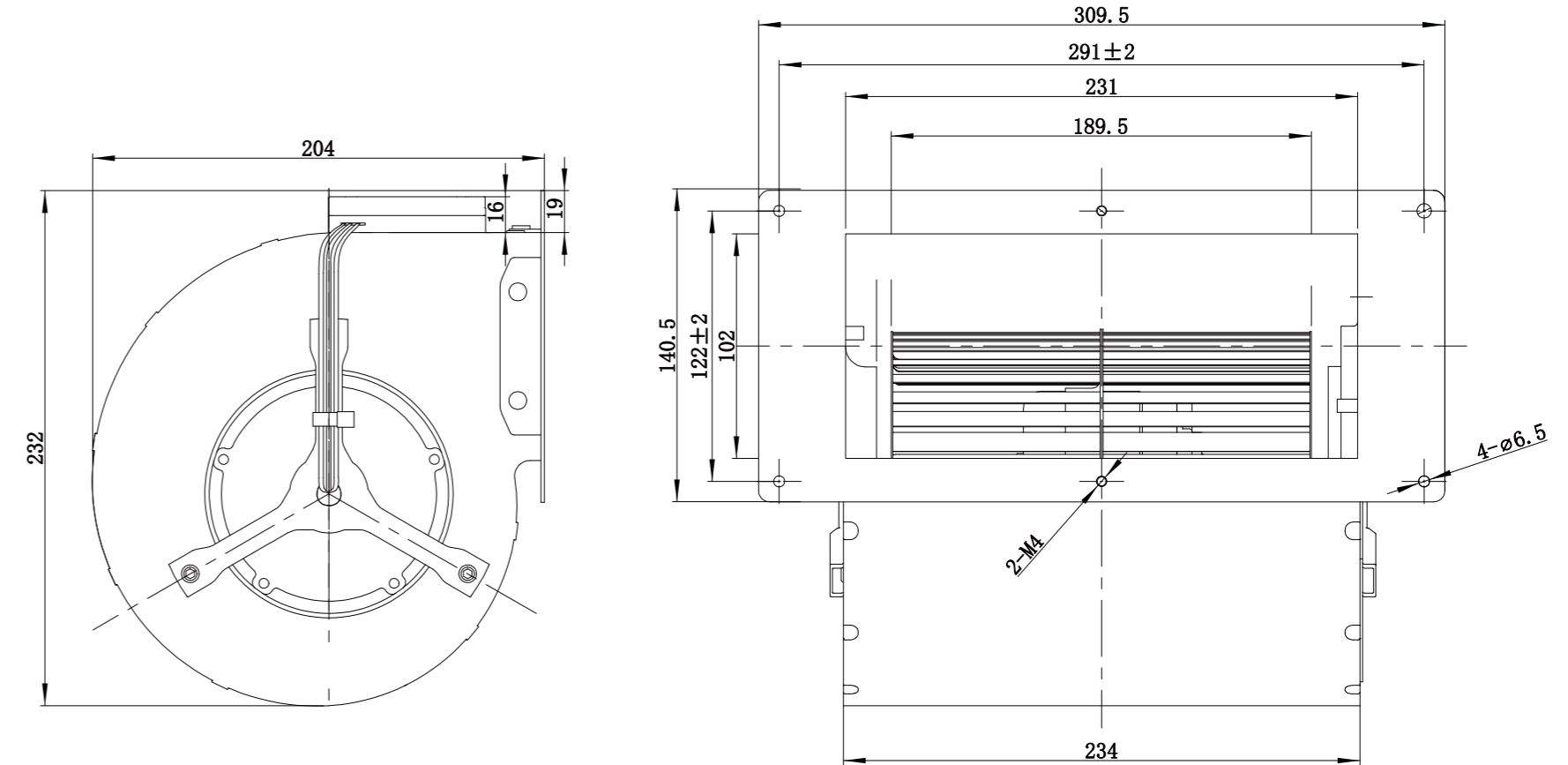
- Material : Galvanised sheet steel
- Mode of operation: S1
- Type of operation: IP54
- Insulation class: F
- Bearing: Maintenance-free ball bearings
- Operation Temperature: -30~+60 C



## Technical Specifications

| Model              | Voltage (V) | Power (W) | Current (A) | Speed (RPM) | Air Flow (m³/h) | Air Pressure (Pa) | Noise [dB(A)] | Curve |
|--------------------|-------------|-----------|-------------|-------------|-----------------|-------------------|---------------|-------|
| LWFD3G146-092DZ-01 | 310         | 180       | 0.58        | 1650        | 1133            | 546               | 67            | /     |

## Product Drawing (mm)



# LWFD-146 Series

## Product Characteristic

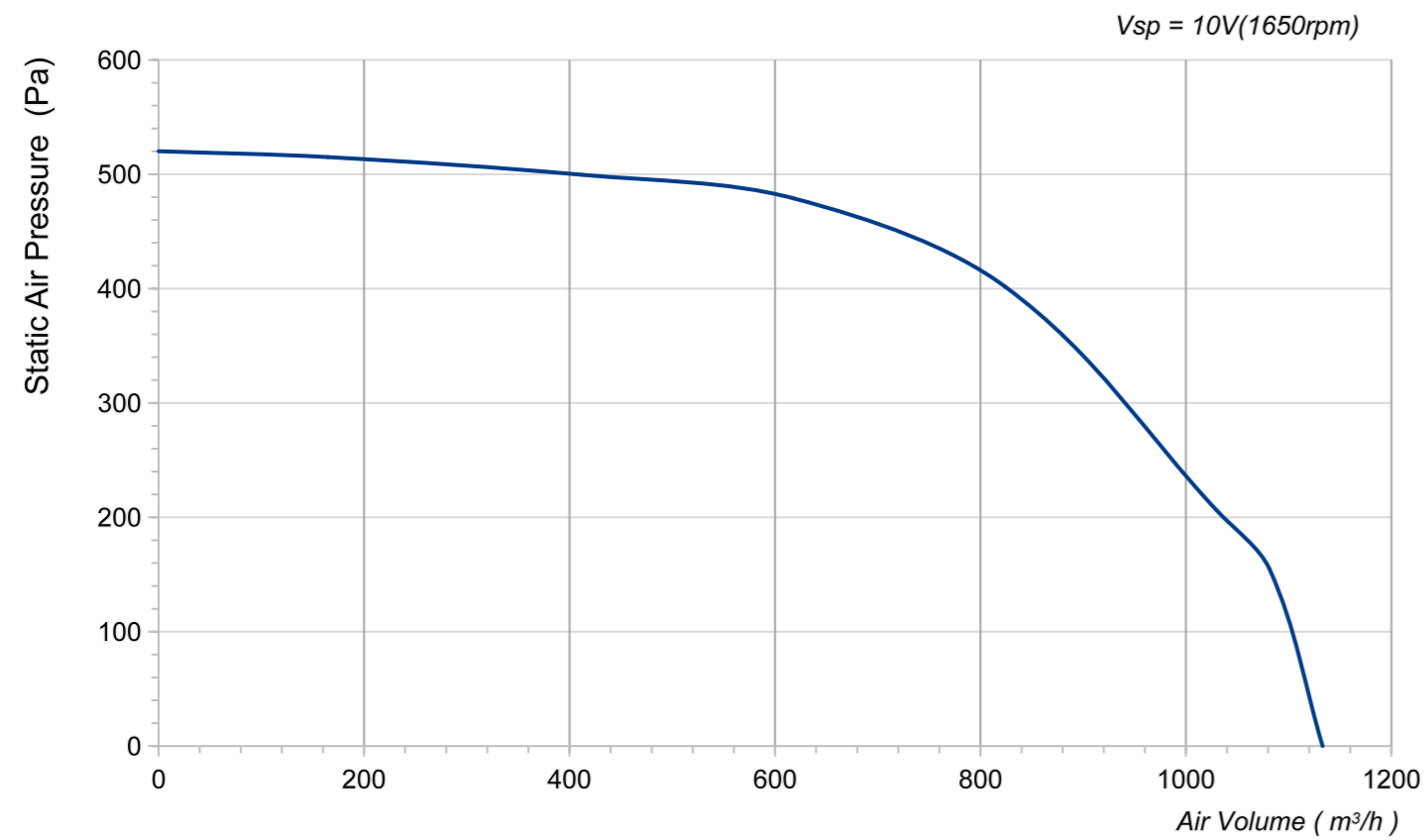
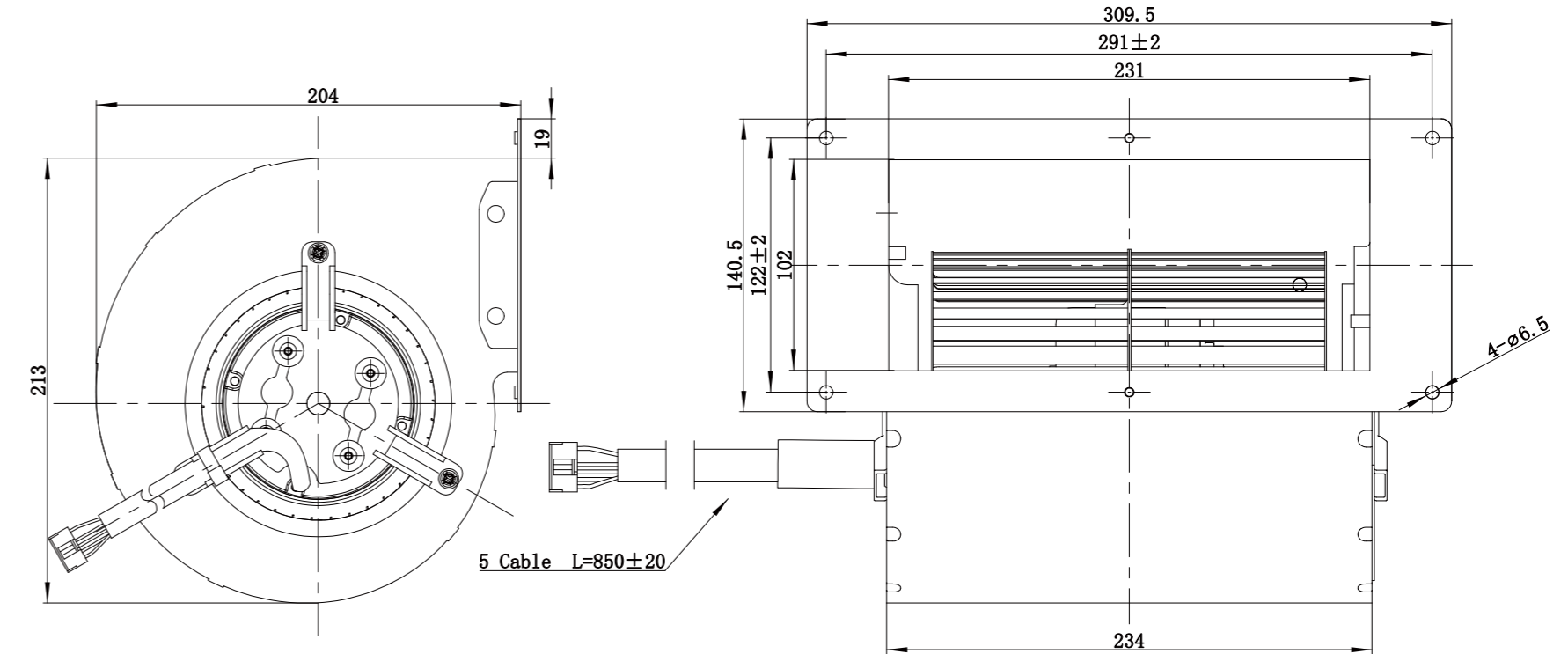
- Material : Galvanised sheet steel
- Mode of operation: S1
- Type of operation: IP54
- Insulation class: F
- Bearing: Maintenance-free ball bearings
- Operation Temperature: -30~+60 C



## Technical Specifications

| Model              | Voltage (V) | Power (W) | Current (A) | Speed (RPM) | Air Flow (m³/h) | Air Pressure (Pa) | Noise [dB(A)] | Curve |
|--------------------|-------------|-----------|-------------|-------------|-----------------|-------------------|---------------|-------|
| LWFD3G146-092DZ-02 | 310         | 180       | 0.58        | 1650        | 1133            | 520               | 67            | /     |

## Product Drawing (mm)



# LWFD-146 Series

## Product Characteristic

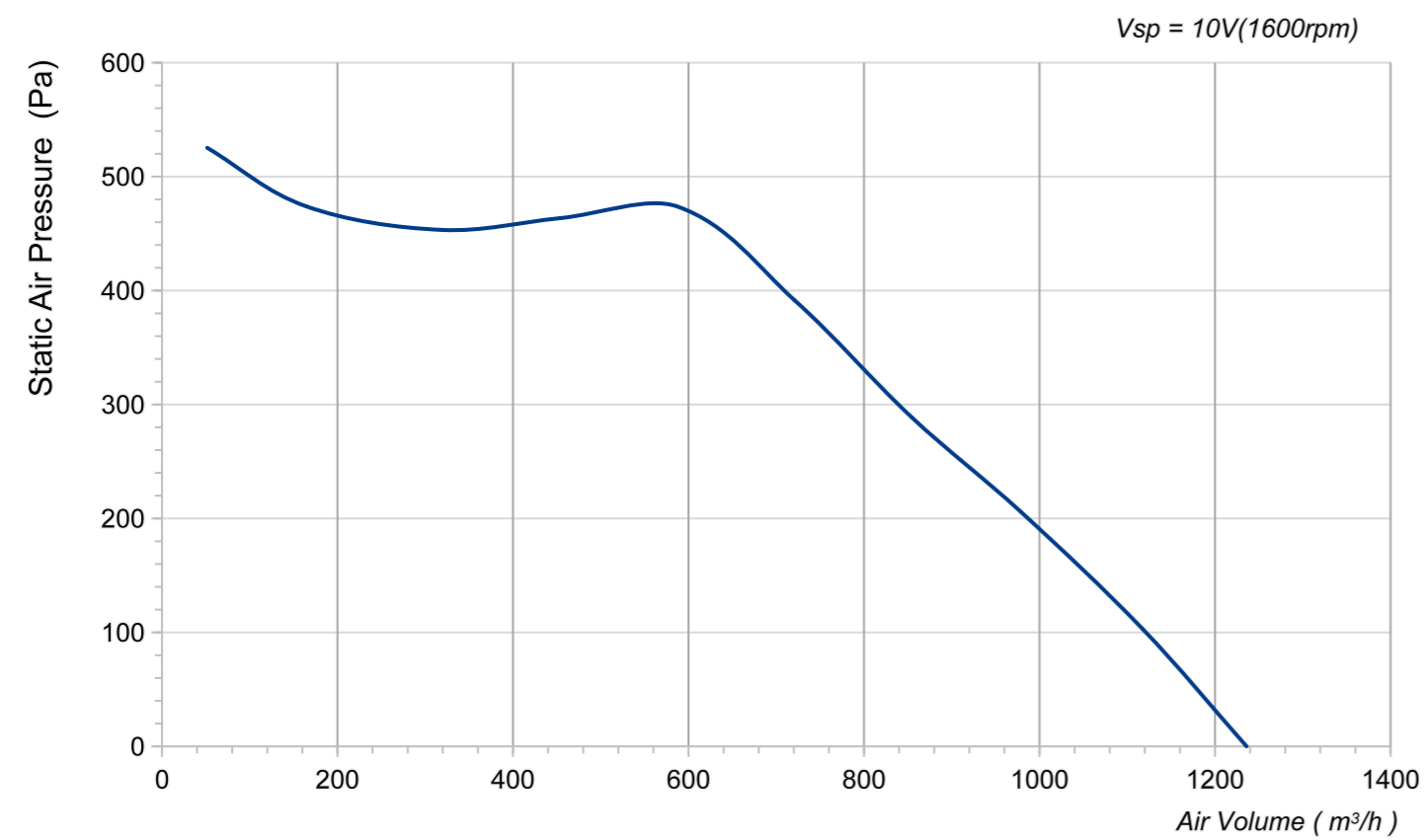
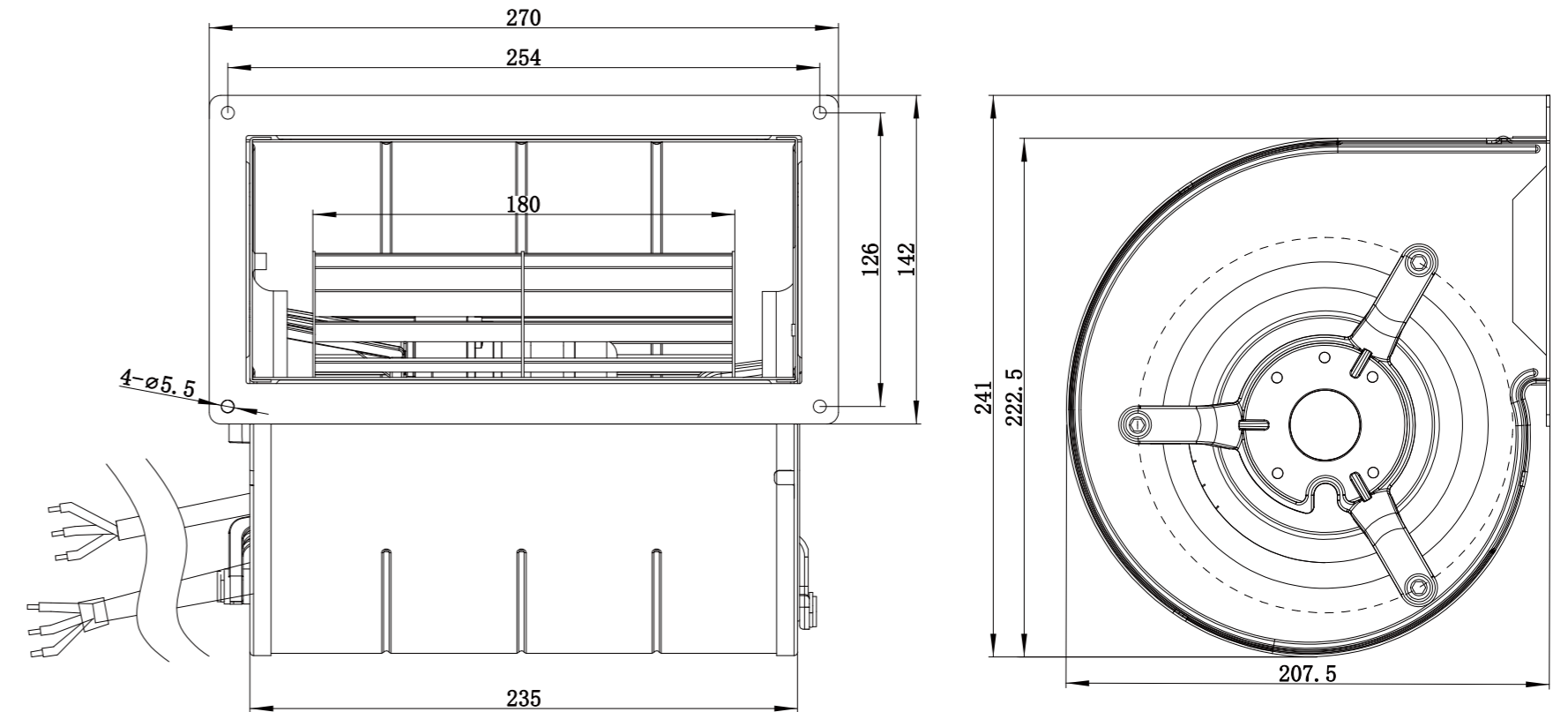
- Material : Galvanised sheet steel
- Mode of operation: S1
- Type of operation: IP54
- Insulation class: F
- Bearing: Maintenance-free ball bearings
- Operation Temperature: -30~+60 C



## Technical Specifications

| Model              | Voltage (V) | Power (W) | Current (A) | Speed (RPM) | Air Flow (m³/h) | Air Pressure (Pa) | Noise [dB(A)] | Curve |
|--------------------|-------------|-----------|-------------|-------------|-----------------|-------------------|---------------|-------|
| LWFD3G146-092DZ-03 | 310         | 185       | 0.63        | 1600        | 1236            | 525               | 70            | /     |

## Product Drawing (mm)



# LWFD-197 Series

## Product Characteristic

- Material : Galvanised sheet steel
- Mode of operation: S1
- Type of operation: IP54
- Insulation class: F
- Bearing: Maintenance-free ball bearings
- Operation Temperature: -30~+60 C



## Technical Specifications

| Model              | Voltage (V) | Power (W) | Current (A) | Speed (RPM) | Air Flow (m³/h) | Air Pressure (Pa) | Noise [dB(A)] | Curve |
|--------------------|-------------|-----------|-------------|-------------|-----------------|-------------------|---------------|-------|
| LWFD3G197-072DZ-01 | 310         | 85        | 0.27        | 750         | 1197            | 525               | /             | /     |

## Product Drawing (mm)

