

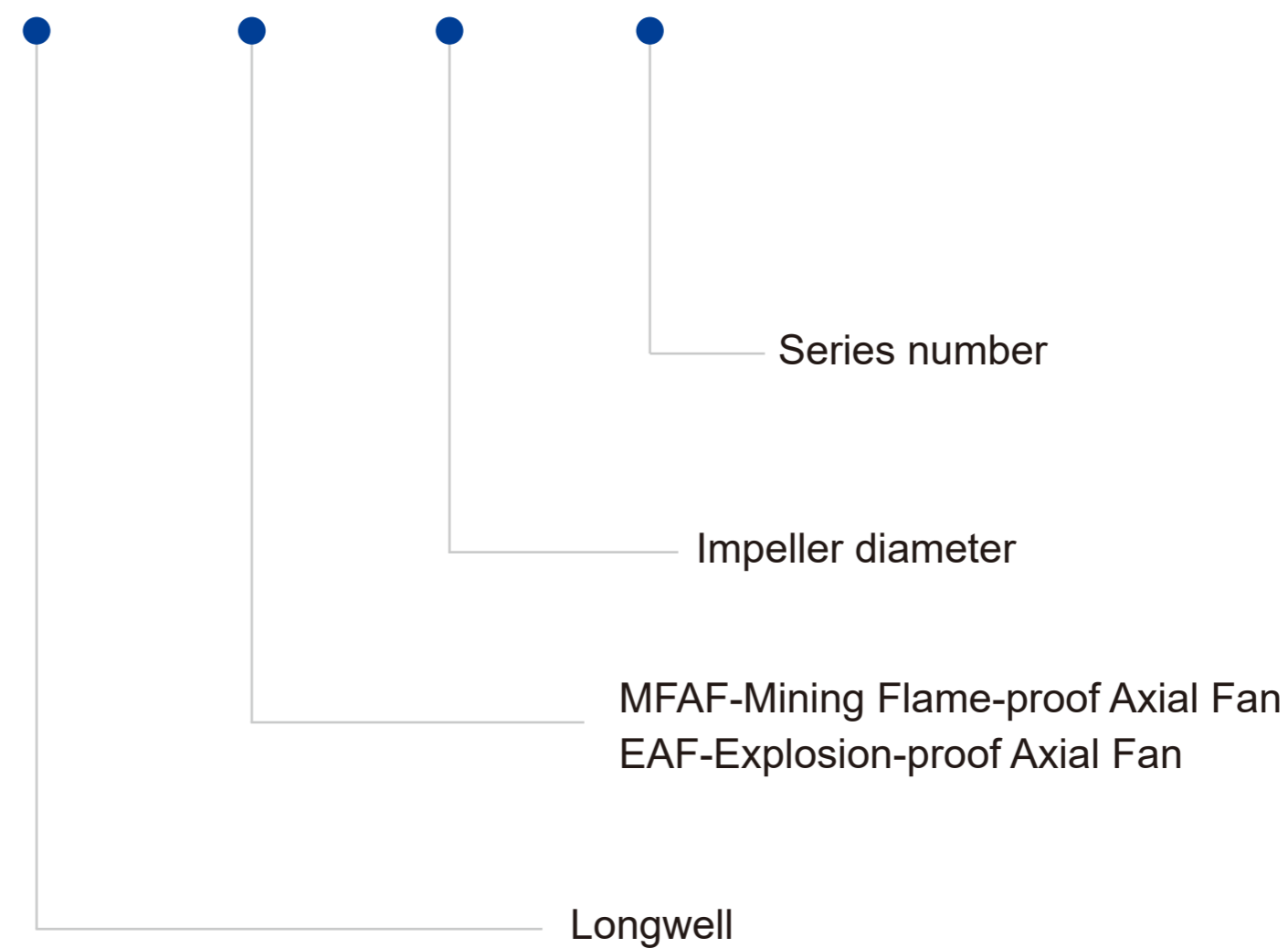
Explosion-proof Fan

Professional HVAC Fan & Motors Manufacturer



Type Code

LW MFAF 265 - 01



Axial Flow Roof Fan

Product Characteristic

- Impeller material: Stainless steel
- Power supply: 3 Phase/380V/50Hz
- Humidity: < 99%
- Operation temperature: -20 C ~ +45 C

Medium condition:

- Regular type: Non-corrosive, non-flammable, explosive gas (dust content not exceeding 100mg/m³)
- Explosion-proof type: Non-corrosive, containing flammable and explosive gases (with dust content not exceeding 100mg/m³)
- Anticorrosion type: Corrosive gas (with no particulate matter)
- Application: The fan can be mainly used for high-rise buildings, factories, power plants, stations stadiums and other medium and low pressure, large-flow ventilation and air exchange



Parameter table

| Model | Speed (r/min) | Air volume (m ³ /h) | Static pressure (Pa) | Motor power (kW) | Noise [dB(A)] | Weight (kg) |
|--------------|---------------|--------------------------------|----------------------|------------------|---------------|-------------|
| LWARF310-01E | 2850 | 3300 | 181 | 0.37 | 65 | 31 |
| LWARF310-02E | 2850 | 3160 | 188 | | 65 | |
| LWARF310-03E | 2850 | 3020 | 196 | | 65 | |
| LWARF310-04E | 2850 | 2900 | 208 | | 65 | |
| LWARF310-05E | 2850 | 2750 | 220 | | 66 | |
| LWARF310-06E | 2850 | 2600 | 232 | | 66 | |
| LWARF310-07E | 1450 | 1650 | 62 | 0.06 | 52 | 29 |
| LWARF310-08E | 1450 | 1610 | 64 | | 53 | |
| LWARF310-09E | 1450 | 1570 | 65 | | 53 | |
| LWARF310-10E | 1450 | 1530 | 67 | | 53 | |
| LWARF310-11E | 1450 | 1490 | 70 | | 53 | |
| LWARF310-12E | 1450 | 1450 | 72 | | 53 | |
| LWARF410-01E | 2850 | 7450 | 193 | 0.75 | 69 | 34 |
| LWARF410-02E | 2850 | 7000 | 205 | | 69 | |
| LWARF410-03E | 2850 | 6600 | 218 | | 69 | |
| LWARF410-04E | 2850 | 6250 | 230 | | 70 | |
| LWARF410-05E | 2850 | 5720 | 240 | | 70 | |
| LWARF410-06E | 2850 | 5300 | 250 | | 70 | |

| Model | Speed (r/min) | Air volume (m ³ /h) | Static pressure (Pa) | Motor power (kW) | Noise [dB(A)] | Weight (kg) |
|--------------|---------------|--------------------------------|----------------------|------------------|---------------|-------------|
| LWARF410-07E | 1450 | 5700 | 176 | 0.55 | 67 | 32 |
| LWARF410-08E | 1450 | 5480 | 180 | | 67 | |
| LWARF410-09E | 1450 | 5260 | 182 | | 67 | |
| LWARF410-10E | 1450 | 5020 | 185 | | 67 | |
| LWARF410-11E | 1450 | 4800 | 187 | | 67 | |
| LWARF410-12E | 1450 | 4580 | 190 | | 67 | |
| LWARF510-01E | 1450 | 8000 | 135 | 0.55 | 66 | 58 |
| LWARF510-02E | 1450 | 7750 | 148 | | 67 | |
| LWARF510-03E | 1450 | 7500 | 162 | | 67 | |
| LWARF510-04E | 1450 | 6800 | 170 | | 67 | |
| LWARF510-05E | 1450 | 6200 | 182 | | 68 | |
| LWARF510-06E | 1450 | 5600 | 191 | | 68 | |
| LWARF510-07E | 960 | 7000 | 113 | 0.37 | 62 | 59 |
| LWARF510-08E | 960 | 6850 | 117 | | 62 | |
| LWARF510-09E | 960 | 6700 | 122 | | 62 | |
| LWARF510-10E | 960 | 6600 | 125 | | 63 | |
| LWARF510-11E | 960 | 6500 | 128 | | 63 | |
| LWARF510-12E | 960 | 6400 | 131 | | 63 | |
| LWARF510-13E | 720 | 6000 | 88 | 0.25 | 59 | 60 |
| LWARF510-14E | 720 | 5500 | 90 | | 59 | |
| LWARF510-15E | 720 | 5000 | 92 | | 59 | |
| LWARF510-16E | 720 | 4700 | 93 | | 59 | |
| LWARF510-17E | 720 | 4400 | 95 | | 58 | |
| LWARF510-18E | 720 | 4100 | 96 | | 58 | |
| LWARF610-01E | 1450 | 15000 | 232 | 1.5 | 71 | 83 |
| LWARF610-02E | 1450 | 14500 | 240 | | 72 | |
| LWARF610-03E | 1450 | 14000 | 251 | | 72 | |
| LWARF610-04E | 1450 | 13700 | 256 | | 72 | |
| LWARF610-05E | 1450 | 13400 | 262 | | 72 | |
| LWARF610-06E | 1450 | 13000 | 267 | | 72 | |
| LWARF610-07E | 960 | 11000 | 168 | 1.1 | 67 | 84 |
| LWARF610-08E | 960 | 10600 | 172 | | 67 | |
| LWARF610-09E | 960 | 10200 | 180 | | 68 | |
| LWARF610-10E | 960 | 9800 | 185 | | 68 | |
| LWARF610-11E | 960 | 9400 | 189 | | 68 | |
| LWARF610-12E | 960 | 9100 | 193 | | 68 | |
| LWARF610-13E | 720 | 8500 | 111 | 0.55 | 63 | 88 |
| LWARF610-14E | 720 | 8350 | 116 | | 63 | |
| LWARF610-15E | 720 | 8200 | 121 | | 63 | |
| LWARF610-16E | 720 | 8000 | 127 | | 64 | |
| LWARF610-17E | 720 | 7800 | 132 | | 64 | |
| LWARF610-18E | 720 | 7600 | 136 | | 64 | |

| Model | Speed (r/min) | Air volume (m³/h) | Static pressure (Pa) | Motor power (kW) | Noise [dB(A)] | Weight (kg) |
|--------------|---------------|-------------------|----------------------|------------------|---------------|-------------|
| LWARF710-01E | 960 | 17500 | 165 | 1.5 | 69 | 116 |
| LWARF710-02E | 960 | 16800 | 174 | | | |
| LWARF710-03E | 960 | 16000 | 185 | | | |
| LWARF710-04E | 960 | 14500 | 201 | | | |
| LWARF710-05E | 960 | 13000 | 207 | | | |
| LWARF710-06E | 960 | 12500 | 212 | | | |
| LWARF710-07E | 720 | 12000 | 141 | 0.75 | 60 | 114 |
| LWARF710-08E | 720 | 11500 | 150 | | | |
| LWARF710-09E | 720 | 11000 | 163 | | | |
| LWARF710-10E | 720 | 10500 | 168 | | | |
| LWARF710-11E | 720 | 10000 | 172 | | | |
| LWARF710-12E | 720 | 9200 | 177 | | | |
| LWARF710-13E | 560 | 9300 | 83 | 0.55 | 72 | 121 |
| LWARF710-14E | 560 | 8800 | 88 | | | |
| LWARF710-15E | 560 | 8300 | 95 | | | |
| LWARF710-16E | 560 | 7800 | 98 | | | |
| LWARF710-17E | 560 | 7500 | 100 | | | |
| LWARF710-18E | 560 | 7200 | 102 | | | |
| LWARF810-01E | 960 | 27000 | 175 | 2.2 | 72 | 137 |
| LWARF810-02E | 960 | 26400 | 182 | | | |
| LWARF810-03E | 960 | 25800 | 196 | | | |
| LWARF810-04E | 960 | 25000 | 207 | | | |
| LWARF810-05E | 960 | 24000 | 218 | | | |
| LWARF810-06E | 960 | 23000 | 228 | | | |
| LWARF810-07E | 720 | 20000 | 129 | 1.5 | 68 | 136 |
| LWARF810-08E | 720 | 19200 | 138 | | | |
| LWARF810-09E | 720 | 18400 | 147 | | | |
| LWARF810-10E | 720 | 17600 | 152 | | | |
| LWARF810-11E | 720 | 16800 | 160 | | | |
| LWARF810-12E | 720 | 16000 | 167 | | | |
| LWARF810-13E | 560 | 15750 | 78 | 0.75 | 62 | 132 |
| LWARF810-14E | 560 | 15000 | 85 | | | |
| LWARF810-15E | 560 | 14500 | 92 | | | |
| LWARF810-16E | 560 | 13800 | 100 | | | |
| LWARF810-17E | 560 | 13000 | 110 | | | |
| LWARF810-18E | 560 | 12250 | 121 | | | |
| LWARF910-01E | 960 | 34500 | 202 | 3 | 76 | 208 |
| LWARF910-02E | 960 | 32000 | 210 | | | |
| LWARF910-03E | 960 | 30500 | 218 | | | |
| LWARF910-04E | 960 | 28000 | 232 | | | |
| LWARF910-05E | 960 | 26000 | 244 | | | |
| LWARF910-06E | 960 | 24000 | 256 | | | |

| Model | Speed (r/min) | Air volume (m³/h) | Static pressure (Pa) | Motor power (kW) | Noise [dB(A)] | Weight (kg) |
|---------------|---------------|-------------------|----------------------|------------------|---------------|-------------|
| LWARF910-07E | 720 | 32000 | 126 | 2.2 | 69 | 209 |
| LWARF910-08E | 720 | 30600 | 135 | | | |
| LWARF910-09E | 720 | 29000 | 146 | | | |
| LWARF910-10E | 720 | 27500 | 155 | | | |
| LWARF910-11E | 720 | 25800 | 166 | | | |
| LWARF910-12E | 720 | 24000 | 177 | | | |
| LWARF910-13E | 560 | 24000 | 102 | 1.1 | 66 | 193 |
| LWARF910-14E | 560 | 23000 | 106 | | | |
| LWARF910-15E | 560 | 22000 | 112 | | | |
| LWARF910-16E | 560 | 21000 | 118 | | | |
| LWARF910-17E | 560 | 19800 | 122 | | | |
| LWARF910-18E | 560 | 18600 | 126 | | | |
| LWARF1010-01E | 960 | 50000 | 251 | 5.5 | 79 | 254 |
| LWARF1010-02E | 960 | 48000 | 265 | | | |
| LWARF1010-03E | 960 | 45000 | 286 | | | |
| LWARF1010-04E | 960 | 43000 | 297 | | | |
| LWARF1010-05E | 960 | 41000 | 308 | | | |
| LWARF1010-06E | 960 | 39000 | 317 | | | |
| LWARF1010-07E | 720 | 46000 | 167 | 3 | 76 | 249 |
| LWARF1010-08E | 720 | 43500 | 169 | | | |
| LWARF1010-09E | 720 | 41000 | 171 | | | |
| LWARF1010-10E | 720 | 39000 | 175 | | | |
| LWARF1010-11E | 720 | 37000 | 178 | | | |
| LWARF1010-12E | 720 | 35000 | 183 | | | |
| LWARF1010-13E | 560 | 28000 | 111 | 1.5 | 68 | 242 |
| LWARF1010-14E | 560 | 26500 | 116 | | | |
| LWARF1010-15E | 560 | 25000 | 120 | | | |
| LWARF1010-16E | 560 | 23500 | 125 | | | |
| LWARF1010-17E | 560 | 21700 | 129 | | | |
| LWARF1010-18E | 560 | 20000 | 133 | | | |
| LWARF1110-01E | 960 | 56900 | 253 | 5.5 | 81 | 272 |
| LWARF1110-02E | 960 | 54000 | 260 | | | |
| LWARF1110-03E | 960 | 51000 | 278 | | | |
| LWARF1110-04E | 960 | 48000 | 296 | | | |
| LWARF1110-05E | 960 | 44200 | 308 | | | |
| LWARF1110-06E | 960 | 40400 | 322 | | | |
| LWARF1110-07E | 720 | 52500 | 148 | 3 | 75 | 265 |
| LWARF1110-08E | 720 | 50000 | 155 | | | |
| LWARF1110-09E | 720 | 47500 | 162 | | | |
| LWARF1110-10E | 720 | 45000 | 169 | | | |
| LWARF1110-11E | 720 | 42500 | 176 | | | |
| LWARF1110-12E | 720 | 40000 | 183 | | | |

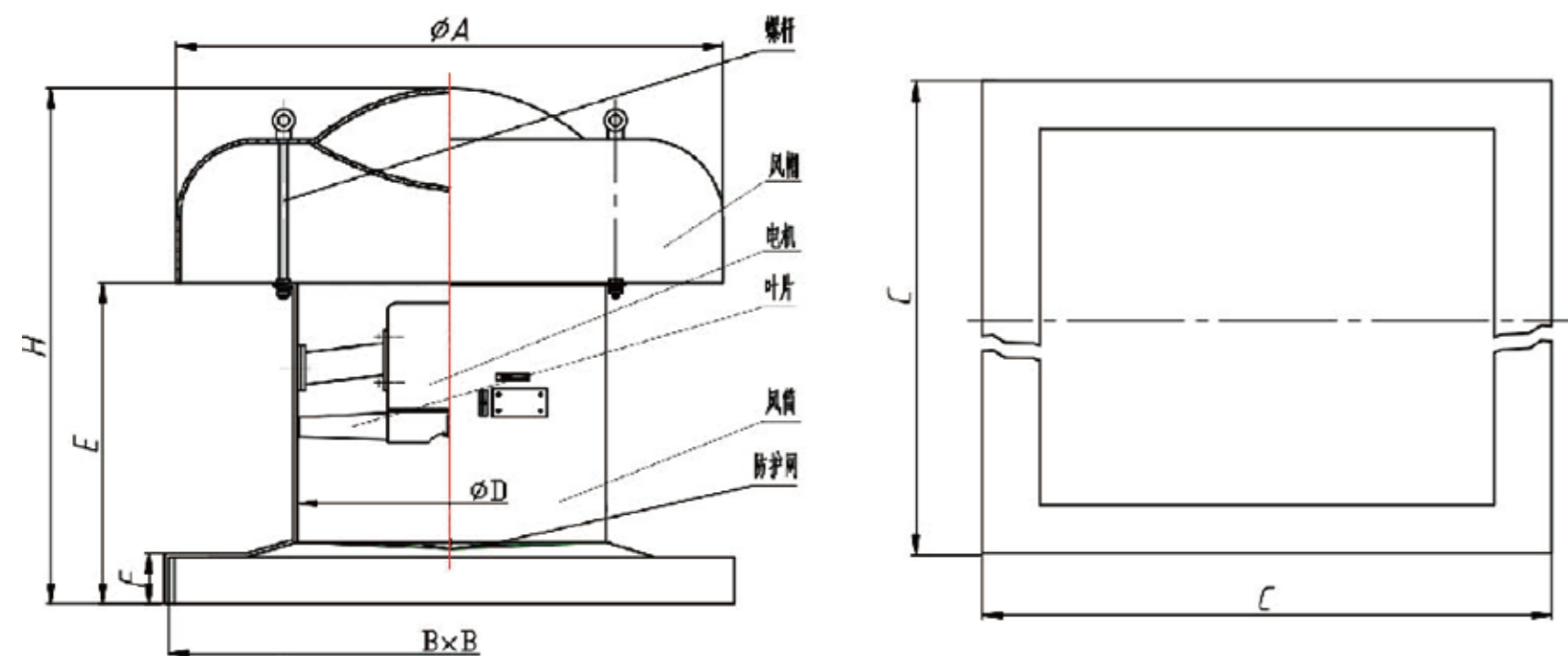
| Model | Speed (r/min) | Air volume (m³/h) | Static pressure (Pa) | Motor power (kW) | Noise [dB(A)] | Weight (kg) |
|---------------|---------------|-------------------|----------------------|------------------|---------------|-------------|
| LWARF1110-13E | 560 | 32000 | 111 | 1.5 | 70 | 277 |
| LWARF1110-14E | 560 | 31500 | 116 | | 71 | |
| LWARF1110-15E | 560 | 30000 | 122 | | 71 | |
| LWARF1110-16E | 560 | 28000 | 128 | | 71 | |
| LWARF1110-17E | 560 | 26500 | 135 | | 71 | |
| LWARF1110-18E | 560 | 25000 | 142 | | 71 | |
| LWARF1210-01E | 720 | 57000 | 196 | 5.5 | 74 | 345 |
| LWARF1210-02E | 720 | 55000 | 199 | | 74 | |
| LWARF1210-03E | 720 | 52500 | 202 | | 74 | |
| LWARF1210-04E | 720 | 50000 | 205 | | 74 | |
| LWARF1210-05E | 720 | 47500 | 207 | | 74 | |
| LWARF1210-06E | 720 | 44000 | 209 | | 73 | |
| LWARF1210-07E | 560 | 42000 | 126 | 3 | 69 | 336 |
| LWARF1210-08E | 560 | 40500 | 129 | | 69 | |
| LWARF1210-09E | 560 | 39000 | 132 | | 69 | |
| LWARF1210-10E | 560 | 37500 | 134 | | 69 | |
| LWARF1210-11E | 560 | 35000 | 140 | | 69 | |
| LWARF1210-12E | 560 | 33000 | 148 | | 69 | |
| LWARF1410-01E | 720 | 76700 | 250 | 7.5 | 77 | 441 |
| LWARF1410-02E | 720 | 73000 | 255 | | 77 | |
| LWARF1410-03E | 720 | 69000 | 258 | | 77 | |
| LWARF1410-04E | 720 | 65000 | 262 | | 77 | |
| LWARF1410-05E | 720 | 61000 | 265 | | 77 | |
| LWARF1410-06E | 720 | 57500 | 268 | | 77 | |
| LWARF1410-07E | 560 | 69000 | 159 | 4 | 72 | 419 |
| LWARF1410-08E | 560 | 65500 | 162 | | 72 | |
| LWARF1410-09E | 560 | 62000 | 165 | | 72 | |
| LWARF1410-10E | 560 | 58500 | 168 | | 72 | |
| LWARF1410-11E | 560 | 55000 | 171 | | 71 | |
| LWARF1410-12E | 560 | 51500 | 175 | | 71 | |
| LWARF1510-01E | 720 | 88500 | 195 | 7.5 | 78 | 470 |
| LWARF1510-02E | 720 | 85000 | 198 | | 78 | |
| LWARF1510-03E | 720 | 81500 | 200 | | 78 | |
| LWARF1510-04E | 720 | 78000 | 203 | | 77 | |
| LWARF1510-05E | 720 | 74000 | 205 | | 77 | |
| LWARF1510-06E | 720 | 70000 | 208 | | 77 | |
| LWARF1510-07E | 480 | 74750 | 149 | 4 | 73 | 450 |
| LWARF1510-08E | 480 | 70000 | 152 | | 73 | |
| LWARF1510-09E | 480 | 66600 | 155 | | 72 | |
| LWARF1510-10E | 480 | 62500 | 158 | | 72 | |
| LWARF1510-11E | 480 | 59000 | 161 | | 72 | |
| LWARF1510-12E | 480 | 55800 | 165 | | 72 | |

| Model | Speed (r/min) | Air volume (m³/h) | Static pressure (Pa) | Motor power (kW) | Noise [dB(A)] | Weight (kg) |
|---------------|---------------|-------------------|----------------------|------------------|---------------|-------------|
| LWARF1610-01E | 730 | 107500 | 235 | 11 | 80 | 532 |
| LWARF1610-02E | 730 | 102600 | 240 | | 80 | |
| LWARF1610-03E | 730 | 97400 | 245 | | 80 | |
| LWARF1610-04E | 730 | 92000 | 250 | | 80 | |
| LWARF1610-05E | 730 | 86600 | 253 | | 80 | |
| LWARF1610-06E | 730 | 81500 | 256 | | 80 | |
| LWARF1610-07E | 480 | 61000 | 131 | 4 | 71 | 532 |
| LWARF1610-08E | 480 | 57700 | 138 | | 71 | |
| LWARF1610-09E | 480 | 53500 | 145 | | 71 | |
| LWARF1610-10E | 480 | 48800 | 155 | | 71 | |
| LWARF1610-11E | 480 | 45500 | 160 | | 71 | |
| LWARF1610-12E | 480 | 42600 | 167 | | 71 | |
| LWARF1810-01E | 720 | 129300 | 261 | 15 | 80 | 684 |
| LWARF1810-02E | 720 | 122800 | 266 | | 80 | |
| LWARF1810-03E | 720 | 116000 | 270 | | 80 | |
| LWARF1810-04E | 720 | 108800 | 276 | | 80 | |
| LWARF1810-05E | 720 | 102600 | 282 | | 80 | |
| LWARF1810-06E | 720 | 96450 | 287 | | 79 | |
| LWARF1810-07E | 480 | 96250 | 122 | 5.5 | 72 | 540 |
| LWARF1810-08E | 480 | 92000 | 126 | | 72 | |
| LWARF1810-09E | 480 | 88000 | 132 | | 72 | |
| LWARF1810-10E | 480 | 83600 | 136 | | 72 | |
| LWARF1810-11E | 480 | 78800 | 139 | | 72 | |
| LWARF1810-12E | 480 | 74300 | 143 | | 72 | |
| LWARF1810-13E | 320 | 79150 | 115 | 4 | 70 | 586 |
| LWARF1810-14E | 320 | 76000 | 118 | | 70 | |
| LWARF1810-15E | 320 | 72600 | 122 | | 70 | |
| LWARF1810-16E | 320 | 69200 | 130 | | 70 | |
| LWARF1810-17E | 320 | 66000 | 140 | | 71 | |
| LWARF1810-18E | 320 | 62500 | 148 | | 71 | |
| LWARF2010-01E | 480 | 151830 | 194 | 15 | 76 | 863 |
| LWARF2010-02E | 480 | 145000 | 198 | | 76 | |
| LWARF2010-03E | 480 | 138800 | 205 | | 76 | |
| LWARF2010-04E | 480 | 132000 | 210 | | 76 | |
| LWARF2010-05E | 480 | 125000 | 215 | | 76 | |
| LWARF2010-06E | 480 | 117900 | 222 | | 76 | |
| LWARF2010-07E | 320 | 112950 | 118 | 7.5 | 72 | 843 |
| LWARF2010-08E | 320 | 108000 | 120 | | 72 | |
| LWARF2010-09E | 320 | 103000 | 122 | | 72 | |
| LWARF2010-10E | 320 | 97500 | 125 | | 72 | |
| LWARF2010-11E | 320 | 92000 | 128 | | 72 | |
| LWARF2010-12E | 320 | 85680 | 132 | | 72 | |

| Model | Speed (r/min) | Air volume (m³/h) | Static pressure (Pa) | Motor power (kW) | Noise [dB(A)] | Weight (kg) |
|---------------|---------------|-------------------|----------------------|------------------|---------------|-------------|
| LWARF2210-01E | 480 | 181440 | 193 | 18.5 | 79 | 904 |
| LWARF2210-02E | 480 | 174000 | 196 | | 79 | |
| LWARF2210-03E | 480 | 166000 | 199 | | 79 | |
| LWARF2210-04E | 480 | 159000 | 202 | | 79 | |
| LWARF2210-05E | 480 | 152000 | 206 | | 79 | |
| LWARF2210-06E | 480 | 148500 | 210 | | 79 | |
| LWARF2210-07E | 320 | 139500 | 135 | 11 | 73 | 904 |
| LWARF2210-08E | 320 | 133200 | 138 | | 73 | |
| LWARF2210-09E | 320 | 127000 | 142 | | 74 | |
| LWARF2210-10E | 320 | 120000 | 146 | | 74 | |
| LWARF2210-11E | 320 | 114000 | 150 | | 74 | |
| LWARF2210-12E | 320 | 107550 | 155 | | 74 | |
| LWARF2410-01E | 480 | 198720 | 212 | 22 | 80 | 975 |
| LWARF2410-02E | 480 | 190000 | 218 | | 80 | |
| LWARF2410-03E | 480 | 182000 | 225 | | 80 | |
| LWARF2410-04E | 480 | 174000 | 232 | | 80 | |
| LWARF2410-05E | 480 | 165500 | 238 | | 80 | |
| LWARF2410-06E | 480 | 158850 | 246 | | 80 | |
| LWARF2410-07E | 320 | 157500 | 133 | 11 | 75 | 922 |
| LWARF2410-08E | 320 | 150000 | 140 | | 75 | |
| LWARF2410-09E | 320 | 142000 | 146 | | 75 | |
| LWARF2410-10E | 320 | 135200 | 153 | | 75 | |
| LWARF2410-11E | 320 | 128600 | 160 | | 76 | |
| LWARF2410-12E | 320 | 121500 | 169 | | 76 | |

Installation dimensions table

| Model | D | A | H | F | E | C | B |
|------------|------|------|------|-----|-----|------|------|
| LWARF-310 | 310 | 580 | 540 | 50 | 350 | 480 | 500 |
| LWARF-410 | 410 | 660 | 620 | 50 | 400 | 580 | 600 |
| LWARF-510 | 510 | 900 | 630 | 50 | 400 | 680 | 700 |
| LWARF-610 | 610 | 1000 | 690 | 50 | 450 | 780 | 800 |
| LWARF-710 | 710 | 1220 | 780 | 50 | 500 | 880 | 900 |
| LWARF-810 | 810 | 1340 | 840 | 50 | 500 | 980 | 1000 |
| LWARF-910 | 910 | 1650 | 950 | 50 | 600 | 1080 | 1100 |
| LWARF-1010 | 1010 | 1650 | 1000 | 50 | 650 | 1180 | 1200 |
| LWARF-1110 | 1110 | 1860 | 1110 | 50 | 650 | 1380 | 1400 |
| LWARF-1210 | 1210 | 1860 | 970 | 100 | 525 | 1380 | 1400 |
| LWARF-1410 | 1410 | 2500 | 1105 | 100 | 625 | 1540 | 1560 |
| LWARF-1510 | 1510 | 2500 | 1455 | 100 | 625 | 1680 | 1700 |
| LWARF-1610 | 1610 | 3120 | 1455 | 100 | 625 | 1780 | 1800 |
| LWARF-1810 | 1810 | 3120 | 1505 | 100 | 675 | 1980 | 2000 |
| LWARF-2010 | 2010 | 3500 | 1505 | 100 | 675 | 2180 | 2200 |
| LWARF-2210 | 2210 | 3500 | 1505 | 100 | 675 | 2380 | 2400 |
| LWARF-2410 | 2410 | 3500 | 1505 | 100 | 675 | 2580 | 2600 |



Explosion-proof Axial Fan

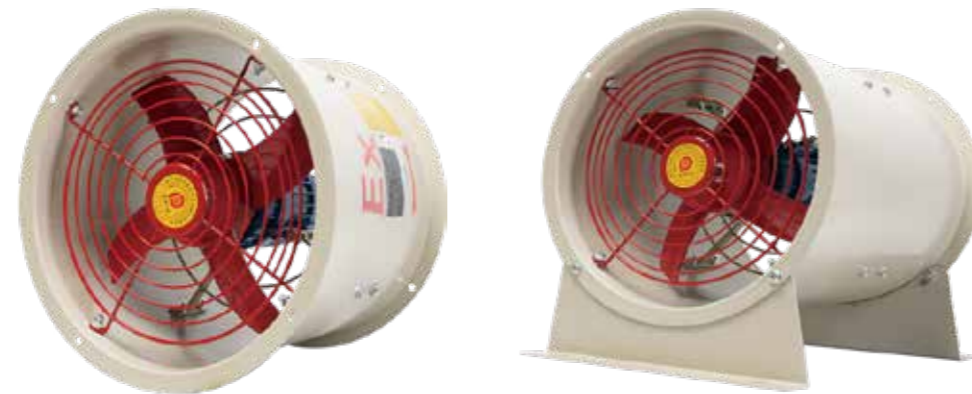
Product Characteristic

This series of products consists of explosion-proof motors, impellers, wind tubes, etc. The impellers are casted with aluminum alloy, and the wind tubes are welded with steel plates and profiles, then surface treated with high-voltage electrostatic spraying. Steel pipe wiring or cable wiring can be used for power supply leads, with grounding screws outside the housing. It has the characteristics of low noise, low energy consumption, and excellent performance. The CBF explosion-proof exhaust fan can be divided into pipeline axial flow fan, fixed explosion-proof axial flow fan, and post-type explosion-proof axial flow fan according to the installation method.



Usage conditions

1. Hazardous locations with explosive gas mixtures: Zone 1, Zone 2
2. Explosive gas mixtures: IIA, IIB
3. Ambient temperature: -20~+40 °C
4. Relative humidity: <95% (+25 °C)
5. Places without heavy corrosion or significant dust
6. Operating voltage: 220/380V, 50Hz

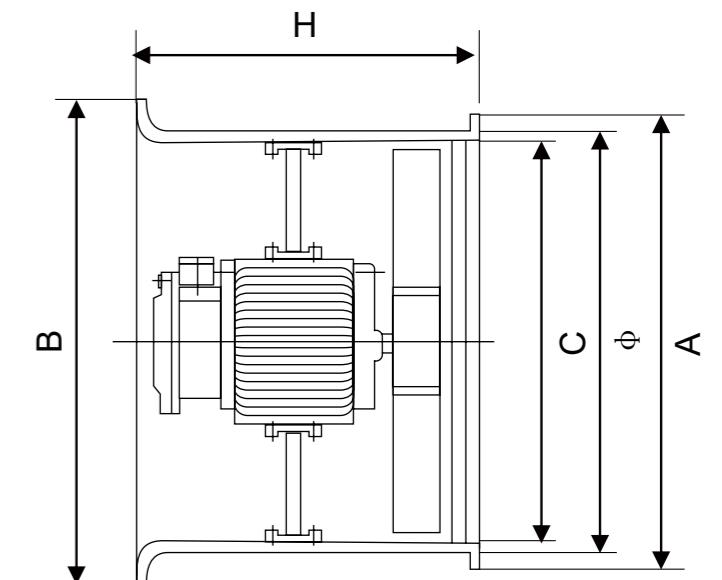
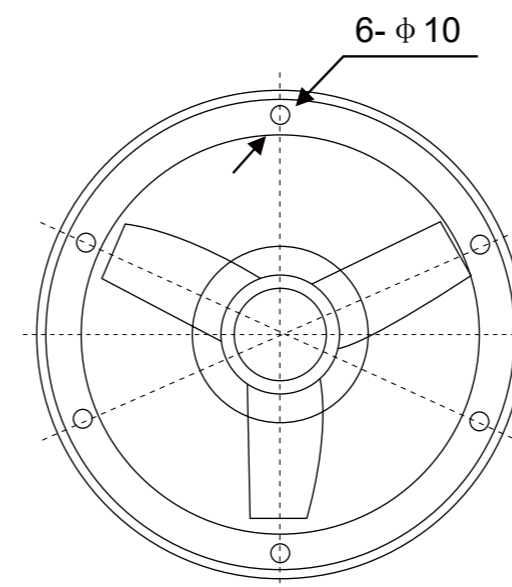


Parameter table

| Model | Impeller diameter(mm) | Power (kw) | Air Volume (m³/h) | Spindle speed(r/min) | Voltage (V) | Explosion-proof marking | Protection class | Inlet thread | Wire outer diameter(Ømm) |
|-------------|-----------------------|------------|-------------------|----------------------|-------------|-------------------------|------------------|--------------|--------------------------|
| LWEAF300-01 | 300 | 0.18 | 2280 | 1450 | 220/380 | ExdII BT4 | IP55 | 3/4 | 10~14 |
| LWEAF400-01 | 400 | 0.37 | 2880 | 1450 | 220/380 | ExdII BT4 | IP55 | 3/4 | 10~14 |
| LWEAF500-01 | 500 | 0.55 | 5700 | 1450 | 220/380 | ExdII BT4 | IP55 | 3/4 | 10~14 |
| LWEAF600-01 | 600 | 0.75 | 8700 | 1450 | 220/380 | ExdII BT4 | IP55 | 3/4 | 10~14 |
| LWEAF700-01 | 700 | 1.1 | 10200 | 1450 | 380 | ExdII BT4 | IP55 | 3/4 | 10~14 |
| LWEAF750-01 | 750 | 1.5 | 10500 | 1450 | 380 | ExdII BT4 | IP55 | 3/4 | 10~14 |

Installation and usage

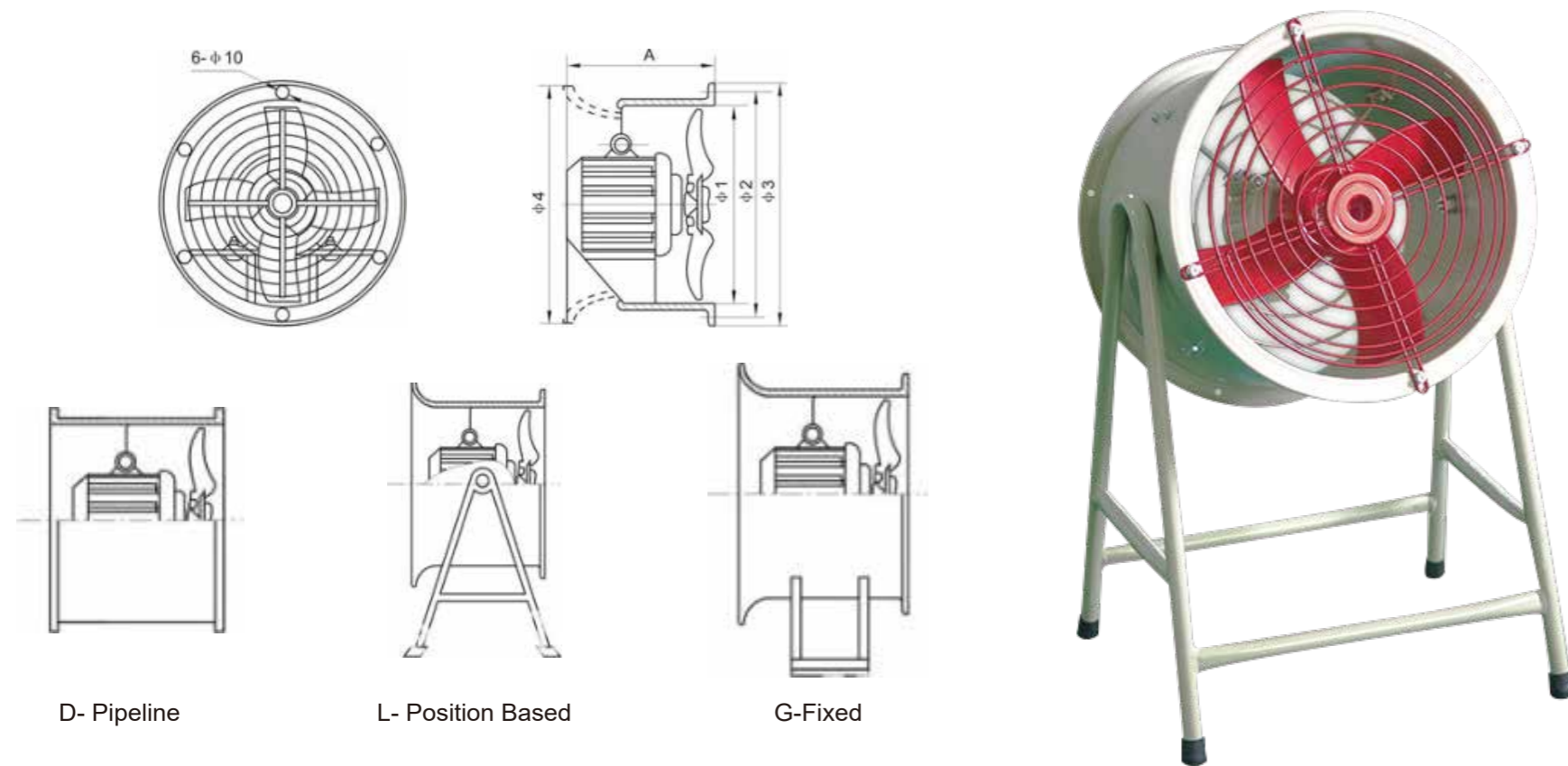
- Before installation, check whether the basic data listed on the product nameplate matches the actual use conditions.
- The product should be reliably grounded.
- Regardless of the type of cable used, the sealing ring of the inlet device must be pressed tight.
- During installation and maintenance, ensure that the clearance between the phases in the wire chamber is not less than 8mm, and the creepage distance is not less than 10mm.
- When maintenance is required, cut off the power supply to the front stage and open the cover.
- During installation and maintenance, protect the flameproof surface and apply 204-1 rust preventive oil.
- The sealing ring of the inlet device is made of oil-resistant rubber 301, which has a certain Shore hardness. If users find it aging during use or maintenance, they should contact the company for purchase and replacement in a timely manner to ensure explosion-proof performance.



Parameter table

| Model | A | B | C | Ø | H | Mounting hole | Remark |
|-------------|-----|-----|-----|-----|-----|---------------|-----------------------------|
| LWEAF300-01 | 355 | 365 | 355 | 312 | 310 | 4-Ø7.5 | / |
| LWEAF400-01 | 455 | 470 | 435 | 412 | 310 | 4-Ø7.5 | / |
| LWEAF500-01 | 555 | 572 | 535 | 512 | 325 | 4-Ø7.5 | / |
| LWEAF600-01 | 655 | 670 | 630 | 610 | 325 | 4-Ø7.5 | / |
| LWEAF700-01 | 766 | 766 | 738 | 710 | 397 | 4-Ø7.5 | double flange on both sides |
| LWEAF750-01 | 808 | 808 | 778 | 750 | 397 | 4-Ø7.5 | double flange on both sides |

Explosion-proof Axial Fan



| Model | A | Φ1 | Φ2 | Φ3 | Installation hole |
|--------------|-----|------|------|------|-------------------|
| LWEA280S(T)M | 290 | 290 | 310 | 330 | Φ8 |
| LWEA315S(T)M | 315 | 317 | 340 | 36 | Φ8 |
| LWEA355S(T)M | 315 | 365 | 390 | 410 | Φ8 |
| LWEA400S(T)M | 315 | 410 | 430 | 450 | Φ8 |
| LWEA450S(T)M | 315 | 460 | 480 | 50 | Φ8 |
| LWEA500TM | 355 | 510 | 535 | 56 | Φ8 |
| LWEA560TM | 355 | 565 | 595 | 615 | Φ8 |
| LWEA630TM | 460 | 610 | 635 | 655 | Φ10 |
| LWEA710TM | 520 | 710 | 740 | 765 | Φ10 |
| LWEA800TM | 520 | 810 | 845 | 875 | Φ10 |
| LWEA900TM | 640 | 910 | 945 | 975 | Φ12 |
| LWEA1000TM | 640 | 1010 | 1045 | 1075 | Φ12 |
| LWEA1120TM | 750 | 1120 | 1155 | 1190 | Φ12 |

Technical Parameters

| Model | Impeller diameter (mm) | Power (KW) | Speed (r/min) | Air volume (m³/h) | Air pressure (Pa) | Voltage (V) | Explosion-Proof Sign |
|-------------------|------------------------|------------|---------------|-------------------|-------------------|-------------|----------------------|
| LWEA280S(T)M-155E | 280 | 0.18 | 1450 | 1605 | 60 | 220/380 | Exd II BT4 |
| LWEA280S(T)M-156E | 280 | 0.25 | 2900 | 3202 | 232 | 220/380 | Exd II BT4 |
| LWEA315S(T)M-157E | 315 | 0.25 | 1450 | 2273 | 74 | 220/380 | Exd II BT4 |
| LWEA315S(T)M-158E | 355 | 0.37 | 2900 | 4545 | 373 | 220/380 | Exd II BT4 |
| LWEA355S(T)M-159E | 355 | 0.37 | 1450 | 3265 | 93 | 220/380 | Exd II BT4 |
| LWEA355S(T)M-160E | 355 | 0.75 | 2900 | 6542 | 373 | 220/380 | Exd II BT4 |
| LWEA400S(T)M-161E | 400 | 0.55 | 1450 | 4687 | 119 | 220/380 | Exd II BT4 |
| LWEA400S(T)M-162E | 400 | 1.1 | 2900 | 9336 | 474 | 220/380 | Exd II BT4 |
| LWEA450S(T)M-163E | 450 | 0.55 | 1450 | 6658 | 150 | 220/380 | Exd II BT4 |
| LWEA500TM-164E | 500 | 0.75 | 1450 | 9133 | 185 | 380 | Exd II BT4 |
| LWEA560TM-165E | 560 | 1.1 | 1450 | 12812 | 232 | 380 | Exd II BT4 |
| LWEA560TM-166E | 560 | 1.1 | 960 | 8471 | 110 | 380 | Exd II BT4 |
| LWEA630TM-167E | 600 | 1.5 | 1450 | 18250 | 294 | 380 | Exd II BT4 |
| LWEA710TM-168E | 710 | 3 | 1450 | 26120 | 373 | 380 | Exd II BT4 |
| LWEA800TM-169E | 800 | 4 | 1450 | 37370 | 474 | 380 | Exd II BT4 |
| LWEA800TM-170E | 800 | 2.2 | 960 | 24739 | 208 | 380 | Exd II BT4 |
| LWEA1000TM-171E | 1000 | 4 | 960 | 48326 | 321 | 380 | Exd II BT4 |

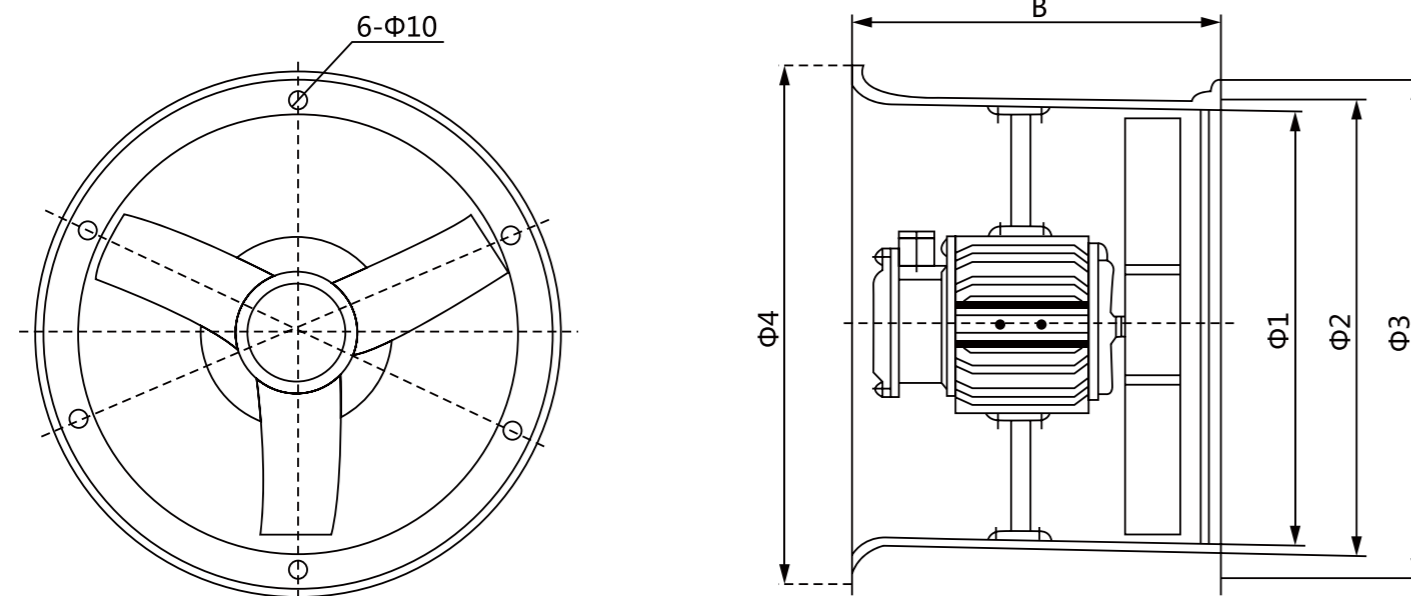
Flameproof Axial Flow AC Exhaust Fan

Scope Of Application And Use

This series of products are suitable for II B level T4 group and the following groups of explosive gas mixture (zone 1 and 2) places, as workshop, warehouse ventilation or strengthen HVAC. The working conditions of this series of products are: A site of AC 50HZ, voltage 220/380V without severe corrosion and significant dust. This series of products can also be added mounting racks according to user requirements. This series of products meet the requirements of explosion-proof mark Exd II BT4.



Outline Dimension Drawing



| Model | B | Φ1 | Φ2 | Φ3 | Φ4 |
|-------------------|-----|-----|-----|-----|-----|
| LWEA300S(T)M-067E | 315 | 310 | 330 | 350 | 380 |
| LWEA400S(T)M-068E | 315 | 410 | 400 | 450 | 485 |
| LWEA500S(T)M-069E | 315 | 510 | 530 | 550 | 585 |
| LWEA600S(T)M-070E | 315 | 610 | 630 | 650 | 685 |
| LWEA700S(T)M-071E | 350 | 710 | 735 | 765 | 790 |
| LWEA750S(T)M-072E | 350 | 760 | 785 | 815 | 840 |

Structural Characteristics

This series of products are made of explosion-proof motor, blades, air duct, etc. The blades are made of high quality aluminum die-casting, the air duct is made of iron plate and profile processing and welding, the power lead is used for steel pipe wiring and cable, and the shell is equipped with ground screws.

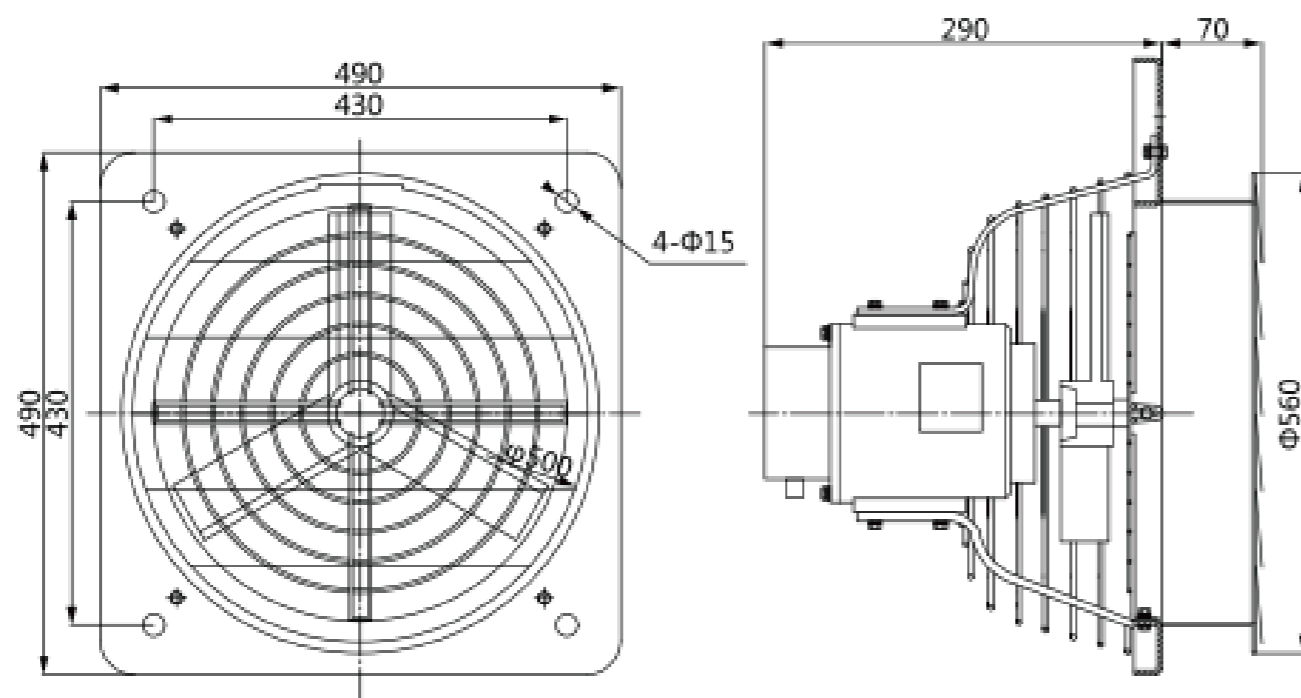
Technical Parameters

| Model | Diameter (mm) | Air Volume (m³/h) | Voltage (V) | Power (kw) | Angle | Cable OD/thread (mm/G") | Speed (RPM) |
|-------------------|---------------|-------------------|-------------|------------|-------|-------------------------|-------------|
| LWEA300S(T)M-067E | 300 | 2280 | 220/380 | 0.18 | 20° | Φ10~Φ4 3-4G | 1450 |
| LWEA400S(T)M-068E | 400 | 2880 | | 0.37 | / | | 1450 |
| LWEA500S(T)M-069E | 500 | 5700 | | 0.55 | / | | 1450 |
| LWEA600S(T)M-070E | 600 | 8700 | | 0.75 | / | | 1450 |
| LWEA700S(T)M-071E | 700 | 10200 | | 1.1 | / | | 1450 |
| LWEA750S(T)M-072E | 750 | 10500 | | 1.5 | / | | 1450 |

Flameproof Axial Flow AC Exhaust Fan

Scope Of Application And Use

Flameproof axial flow AC exhaust fan is made into flameproof type according to GB3836.1 "General Requirements for explosion-proof Electrical Equipment for Explosive Environment" GB3836.2 "flameproof electrical equipment for Explosive environment flameproof electrical equipment 'd'". The explosion-proof mark is Exd II BT4, which is suitable for the environment of explosive gases in Class II, B and T4 groups. This product has reliable explosion-proof performance. Large air volume, small noise, power consumption and other advantages.



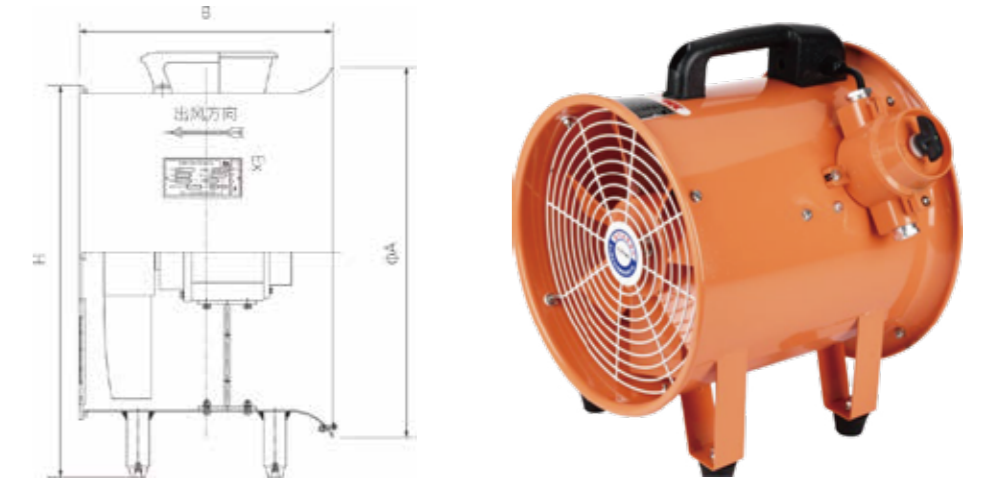
Technical Parameters

| Model | Diameter (mm) | Air Volume (m³/h) | Voltage (V) | Power (kw) | Speed (RPM) | Hole size (mm) |
|-------------------|---------------|-------------------|-------------|------------|-------------|----------------|
| LWEA300S(T)M-073E | 300 | 2200 | 220/380 | 0.12 | 1450 | 285x285 |
| LWEA400S(T)M-074E | 400 | 2400 | | 0.18 | 1450 | 385x385 |
| LWEA500S(T)M-075E | 500 | 4900 | | 0.25 | 1450 | 440x440 |
| LWEA600S(T)M-076E | 600 | 9500 | | 0.37 | 1450 | 540x540 |

Explosion-proof Portable Axial Flow Fan

Scope of Application

Explosion-proof type is suitable for explosive gas environments of Class I, Division 1 and Class II, Division B, with temperature group T1 - T4, such as chemical, refining, and shipbuilding factories, used for ventilation and air exchange purposes, with explosion-proof marking as ExdII BT4



| Model | Air inlet A (mm) | Wind duct length B (mm) | Wind duct total height H (mm) | Air outlet (mm) | Duct inner diameter (mm) |
|------------------|------------------|-------------------------|-------------------------------|-----------------|--------------------------|
| LWA-200S(T)M-03E | 269 | 345 | 306 | 239 | 210 |
| LWA-250S(T)M-04E | 329 | 336 | 373 | 292 | 261 |
| LWA-300S(T)M-05E | 365 | 340 | 405 | 333 | 306 |
| LWA-350S(T)M-05E | 436 | 368 | 471 | 394 | 364 |
| LWA-400S(T)M-05E | 470 | 370 | 511 | 434 | 406 |
| LWA-500S(T)M-03E | 575 | 468 | 628 | 539 | 507 |

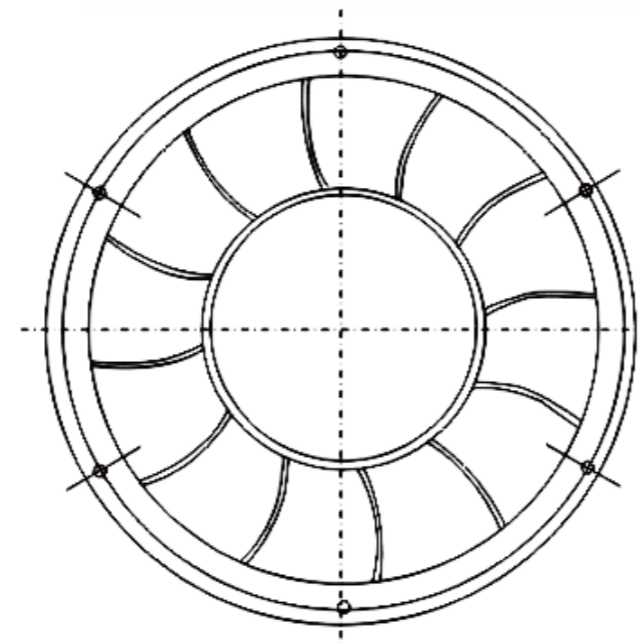
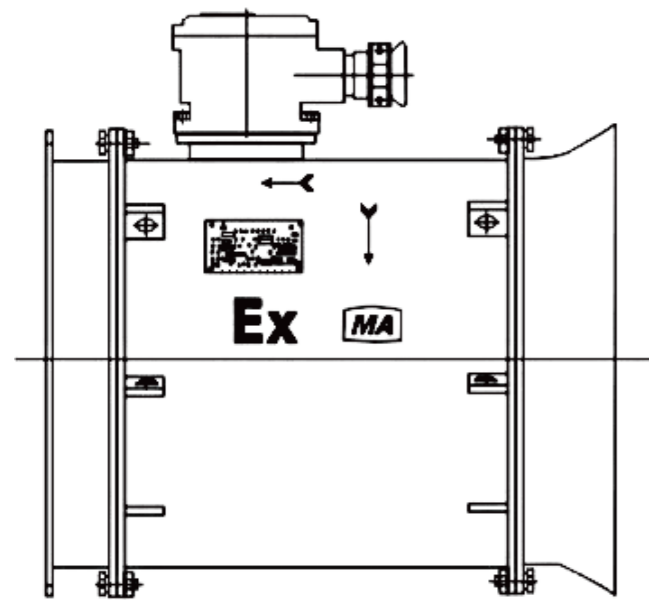
Technical Parameters

| Model | Impeller diameter (mm) | Air volume (m³/h) | Static pressure (Pa) | Speed (r/min) | Frequency (Hz) | Power (kw) | Voltage (V) |
|------------------|------------------------|-------------------|----------------------|---------------|----------------|------------|-------------|
| LWA-200S(T)M-03E | 190 | 1500-2100 | 250-420 | 2800 | 50/60 | 0.15 | 220/380 |
| LWA-250S(T)M-04E | 240 | 2700-3300 | 300-450 | 2800 | 50/60 | 0.25 | 220/380 |
| LWA-300S(T)M-05E | 290 | 3720-3300 | 350-500 | 2800 | 50/60 | 0.37 | 220/380 |
| LWA-350S(T)M-05E | 340 | 4840-4840 | 550-600 | 2800 | 50/60 | 0.55 | 220/380 |
| LWA-400S(T)M-05E | 390 | 5860-6840 | 750-800 | 2800 | 50/60 | 0.9 | 220/380 |
| LWA-500S(T)M-03E | 490 | 6800-10000 | 185-200 | 1450 | 50/60 | 0.75 | 220/380 |

Mining Flame-proof Axial Local Fan

Product Characteristic

Coal mine explosion in the axial local fan, mainly is suitable for the contains gas or coal dust explosive gases dangerous dig in underground coal mines. Into the face ventilated take a breath, is to ensure that the mining face in good working environment and protect health workers. At the same time with Designated by the state inspection qualified explosion-proof motors.



Parameter table

| Model | Voltage (v) | Air Pressure (Pa) | Air volume (m ³ /min) | Total pressure efficiency(%) | Noise [dB(A)] | Impeller diameter (mm) | Operating mode | Dimensions (mm) |
|--------------|-------------|-------------------|----------------------------------|------------------------------|---------------|------------------------|----------------|-----------------|
| LWMFAF265-01 | 380 | 750-350 | 40-84 | 78 | 87 | Ø265 | Continuous | 465×325×420 |
| LWMFAF315-01 | 380 | 1050-380 | 55-101 | 80 | 87 | Ø315 | Continuous | 568×360×430 |
| LWMFAF400-01 | 380/660 | 1390-880 | 85-164 | 80 | 90 | Ø400 | Continuous | 610×380×450 |
| LWMFAF400-02 | 380/660 | 1700-800 | 90-180 | 81.5 | 89 | Ø400 | Continuous | 645×465×540 |
| LWMFAF500-01 | 380/660 | 2250-880 | 130-240 | 80 | 91 | Ø500 | Continuous | 694×585×662 |
| LWMFAF560-01 | 380/660 | 3180-910 | 195-330 | 80 | 95 | Ø560 | Continuous | 845×650×725 |
| LWMFAF560-02 | 380/660 | 3315-950 | 240-380 | 80 | 95 | Ø560 | Continuous | 909×650×725 |
| LWMFAF630-01 | 380/660 | 3690-1100 | 250-455 | 80 | 95 | Ø630 | Continuous | 1026×720×901 |