



**Professional HVAC Fan
& Motors Manufacturer**

Gas Blower



Website

Ningbo Longwell Electric Technology Co.,Ltd

TEL:+86 (574) 6218 9863

Whatsapp:+0086 18358274663

Fax:+86 18358274663

E-mail:sales@zjlongwell.com

Web:<https://www.longwellfans.com/>

Address:#NO.100 ,South of Xuxiang River ,Ditang District, Yuyao,Ningbo
Zhejiang Province,China 315400



CATALOGUE

01-02 Quality control & Applications

03-04 Type Code & Product feature

05-34 EC Gas Blower

35-44 DC Gas Blower

45-104 AC Gas Blower

Quality control

Air performance test stands

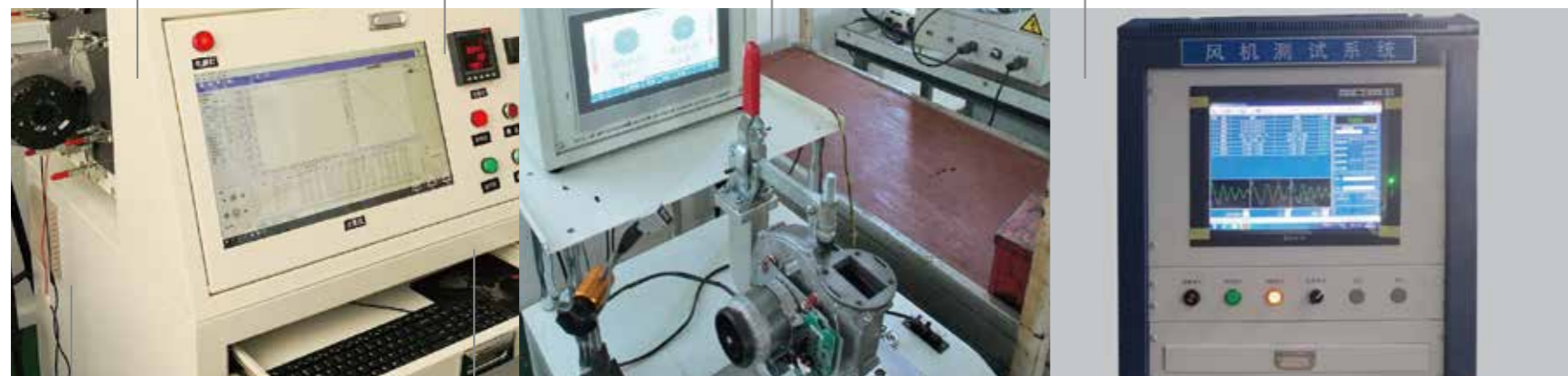
Blower operating characteristics check
Air characteristic curve

Vibration test

Blower comprehensive test bench

Safety performance detection
Electrical performance testing
Data of each fan can be stored and tracked

Noise testing



Blower pressure leakage detection

Approvals

TUV,CCC,ROHS,CUS



Aging test

Sample collection for each batch
-30°C-80°C
Over 5,000 hours of runing test

Ideally suited for all applications

Residential technology 150 kW



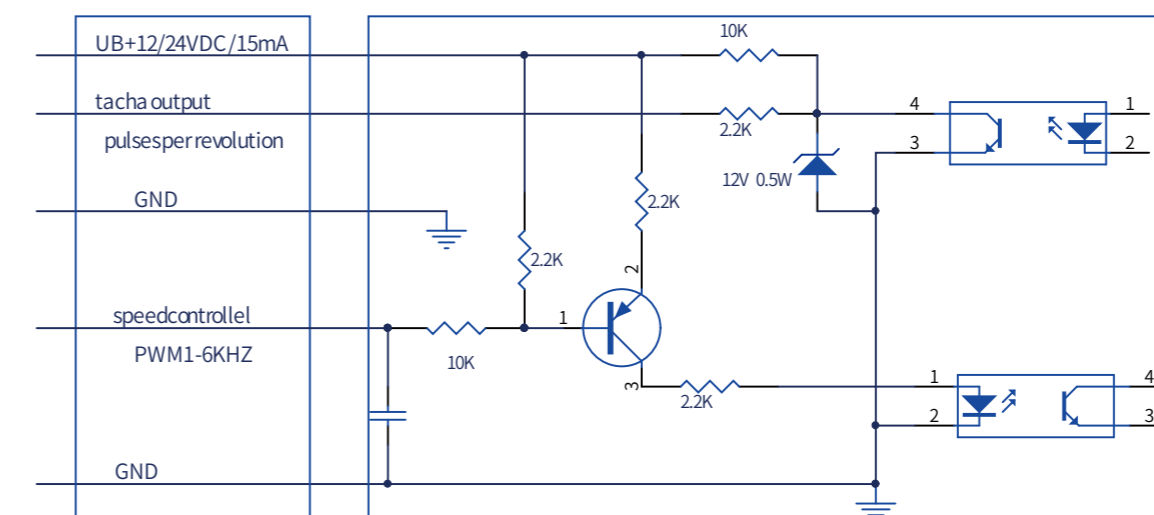
Energy efficient heating and heating system for family house

Commercial technology



Application of commercial complex heating system, commercial energy-saving kitchen equipment system, various burners and steam generator.

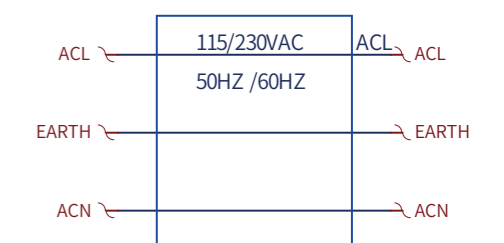
Electrical Schematic Diagram



6KW

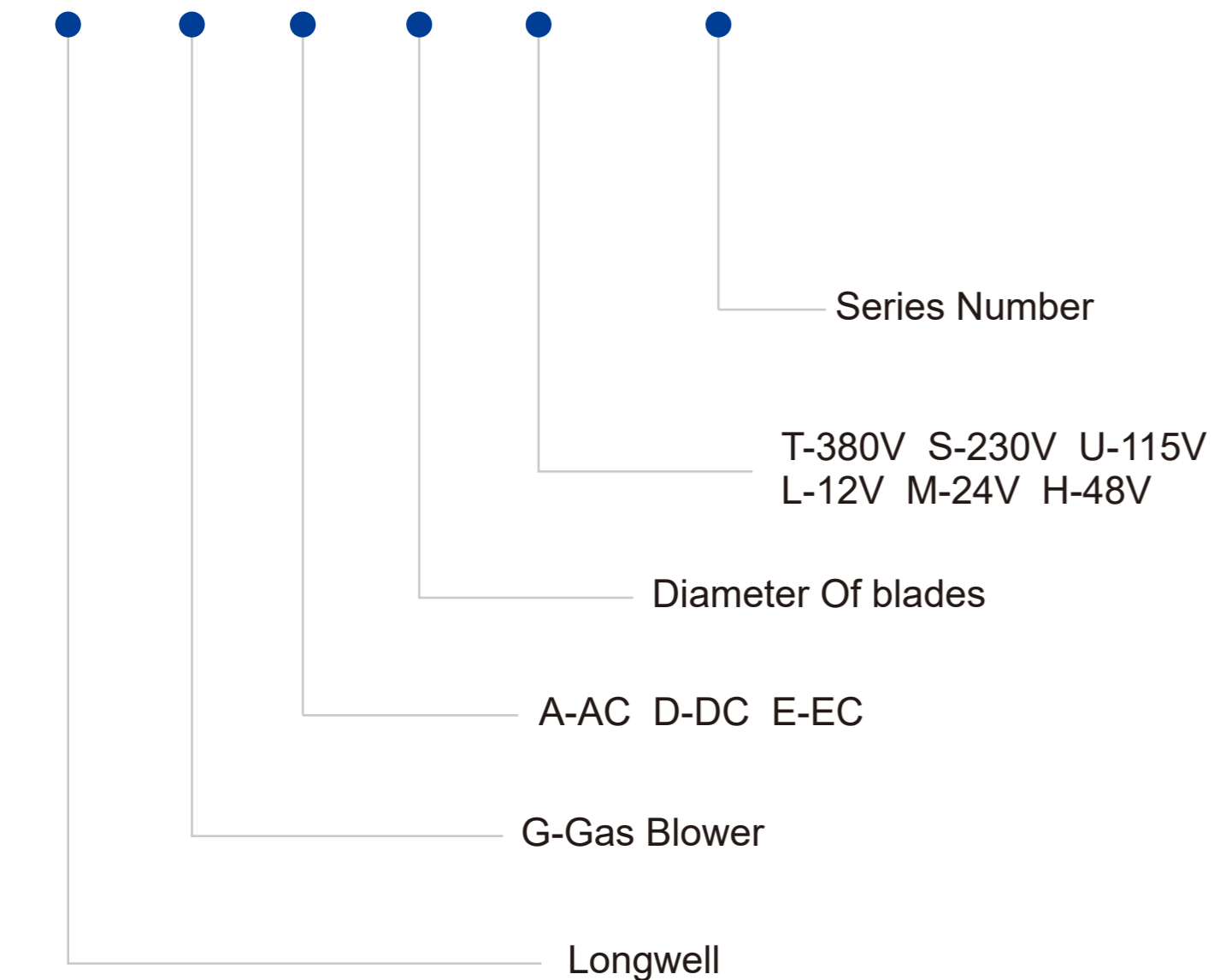


200KW



Type Code

LW G E 77 S - 01



Product feature

Electric control board:
Independent installation design for easy disassembly and maintenance
Brushless motor drive, PWM signal adjustment, FG signal output
Blocking protection and current limiting protection

Housing:
Die cast aluminum housing
Seal joint treatment
Up to 4000PA leak detection

Impellers:
Fluid simulation optimization design High - st
rength electrostatic discharge plastic Dynamic balance calibration

Connection port:
International standard terminal

Bearings:
Maintenance - free ball bearings

IP20
Protection class:IP20

Class F
Insulation Class
Class F

way to install:
Shaft horizontal or motor mounted on top

EC Gas Blower

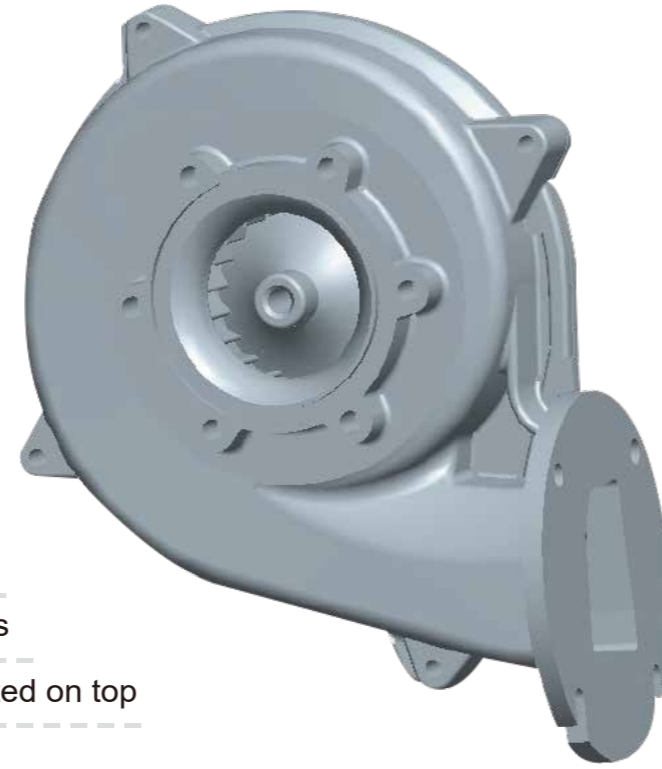
- Powerful airflow capabilities for effective gas movement and circulation
- Minimizes pressure drops and optimizes gas flow rates for enhanced productivity
- Advanced control systems for accurate gas flow adjustment and regulation
- Enables fine-tuning of gas processes and ensures consistency in gas handling operations
- Built-in safety features to prevent gas leaks and maintain operational integrity



LWGE077 Series

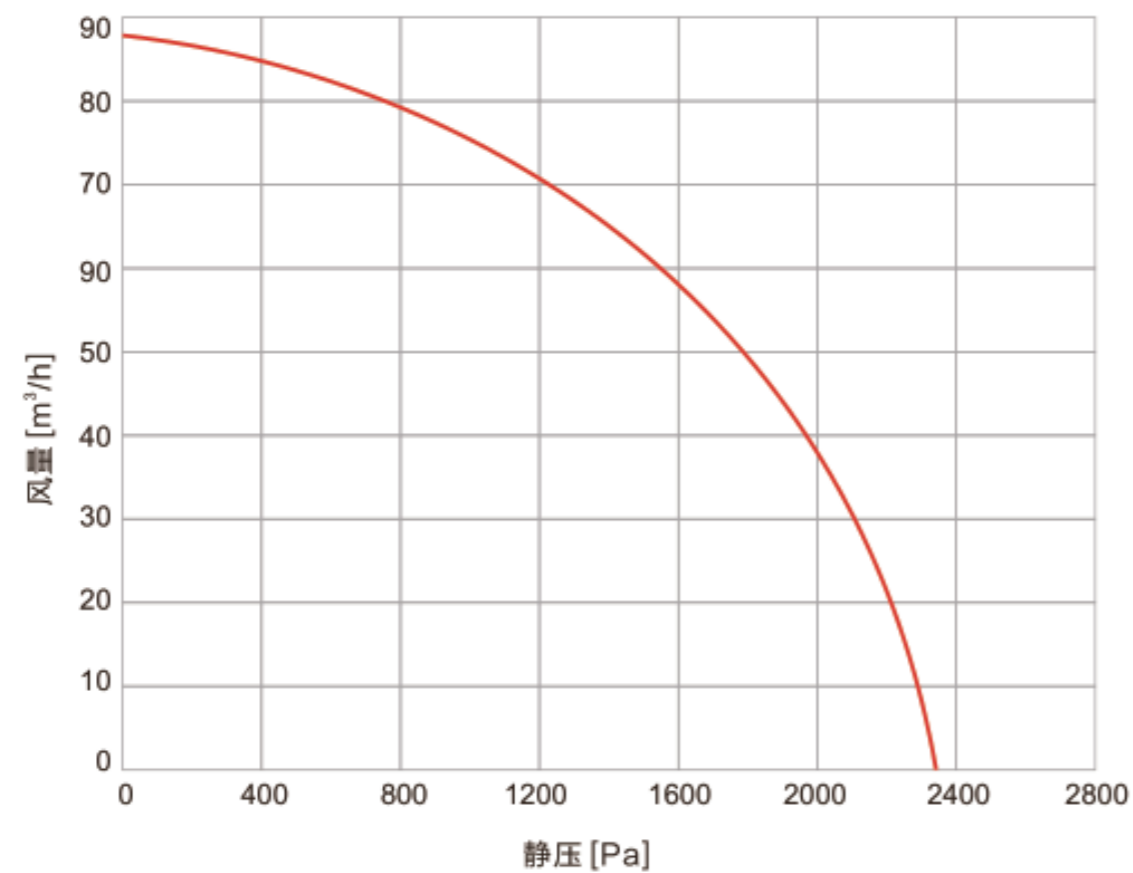
Product Characteristic

- Protection class: IP20
- Impellers: Plastic
- Insulation Class: Class F
- Housing: Aluminum
- Package: 8pcs, 8kg,560x410x180mm
- Connection port: International standard terminal
- Bearings: Maintenance - free ball bearings
- Way to install: Shaft horizontal or motor mounted on top

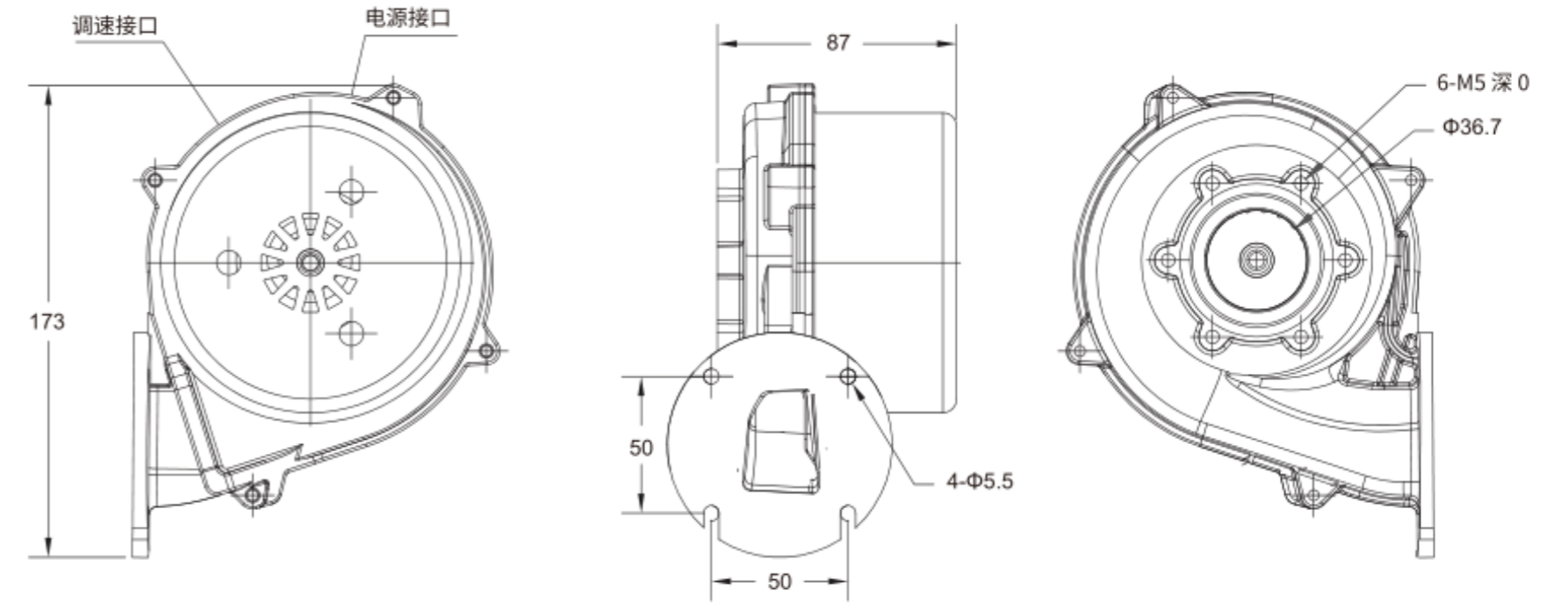


Technical Specifications

Model	Voltage (V)	Frequency (Hz)	Input Power (W)	Speed (RPM)	Air Volume (m³/h)	Current (A)	Air Pressure (Pa)	Net Weight (kg)
LWGE077S-01	230	50/60	60	10000	87	0.5	2350	0.9



Product Drawing (mm)



LWGE097 Series (Centrifugal Blower)

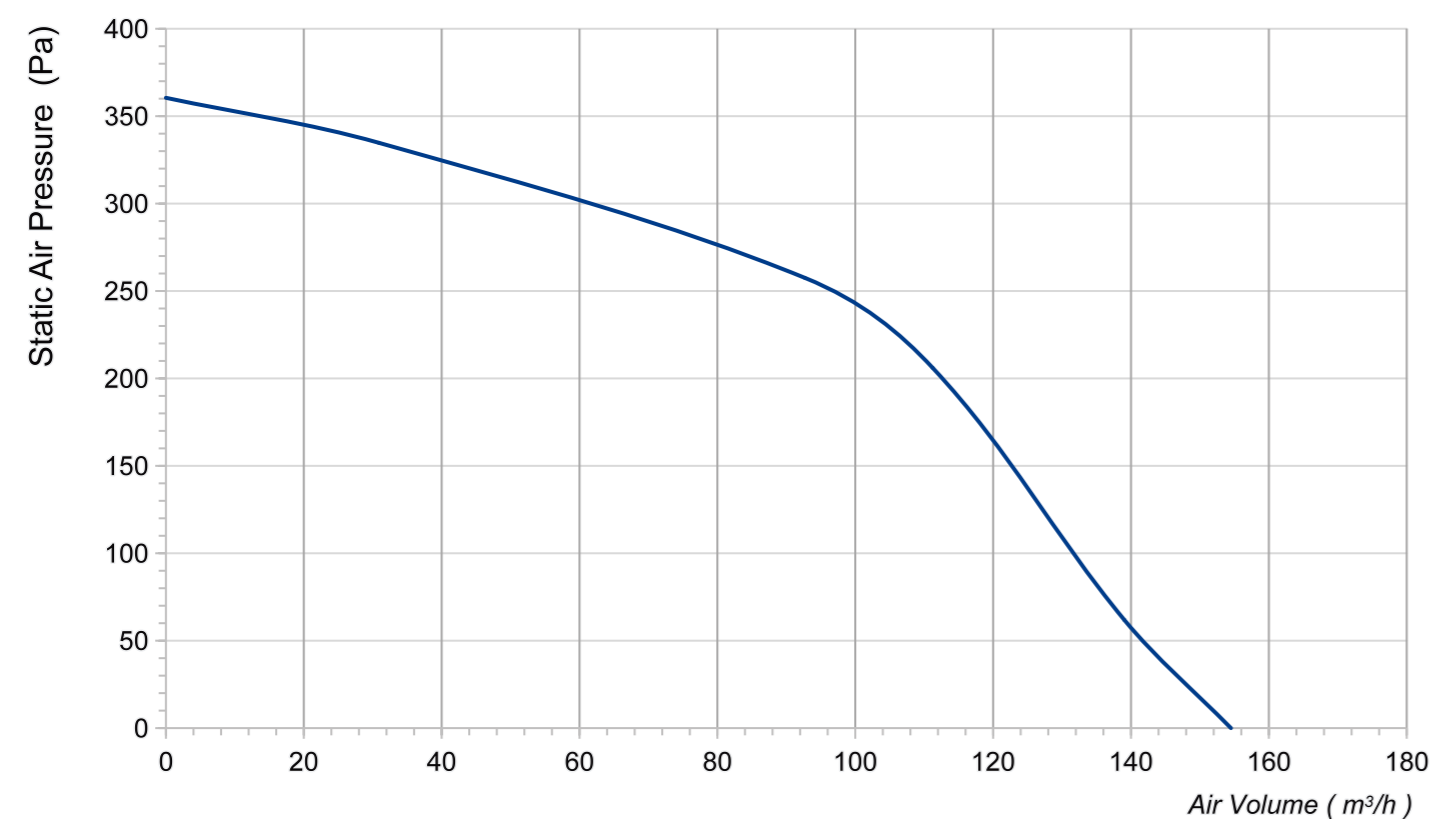
Product Characteristic

- Insulation class: B
- Ball bearings
- Thermally protected
- UL Approved
- Motor anti-vibration mounted

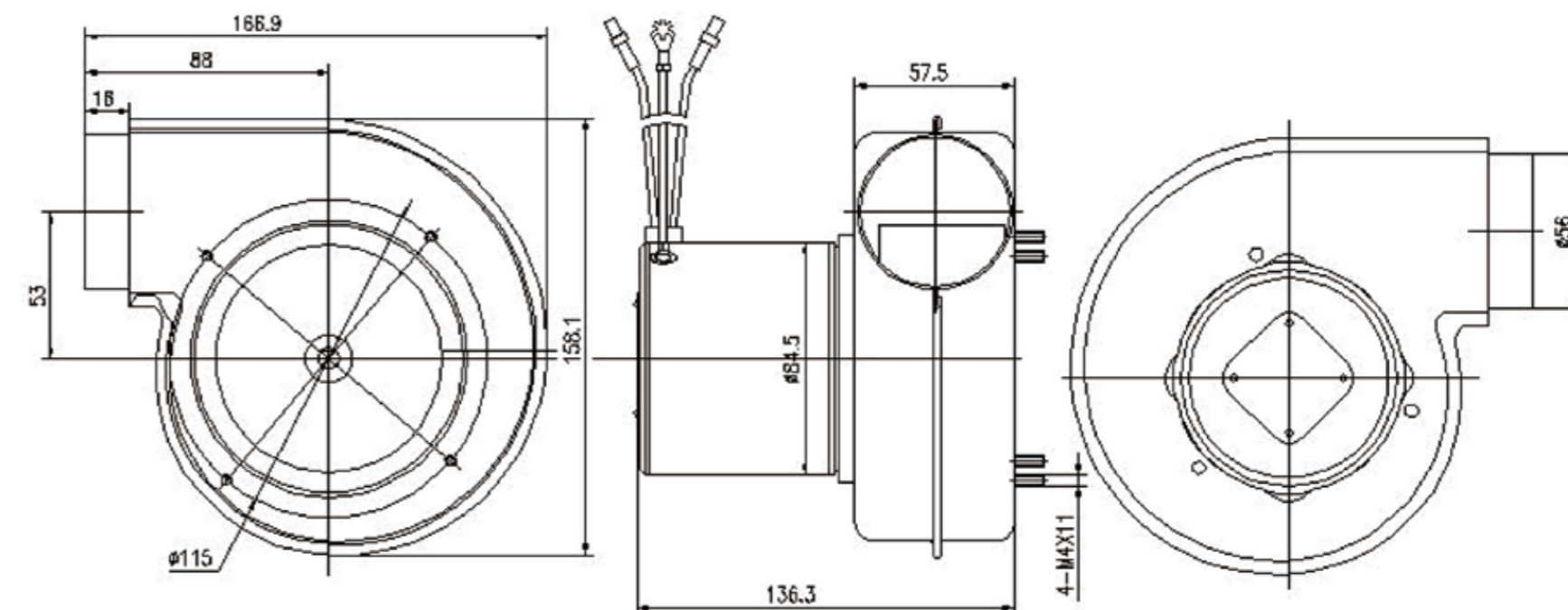


Technical Specifications

Model	Voltage (V)	Frequency (Hz)	Power (W)	Current (A)	Speed (RPM)	Air Volume (m³/h)	Air Pressure (Pa)
LWGE097U-07	115	60	66	0.9	2600	155	361



Product Drawing (mm)



LWGE097 Series (Centrifugal Blower)

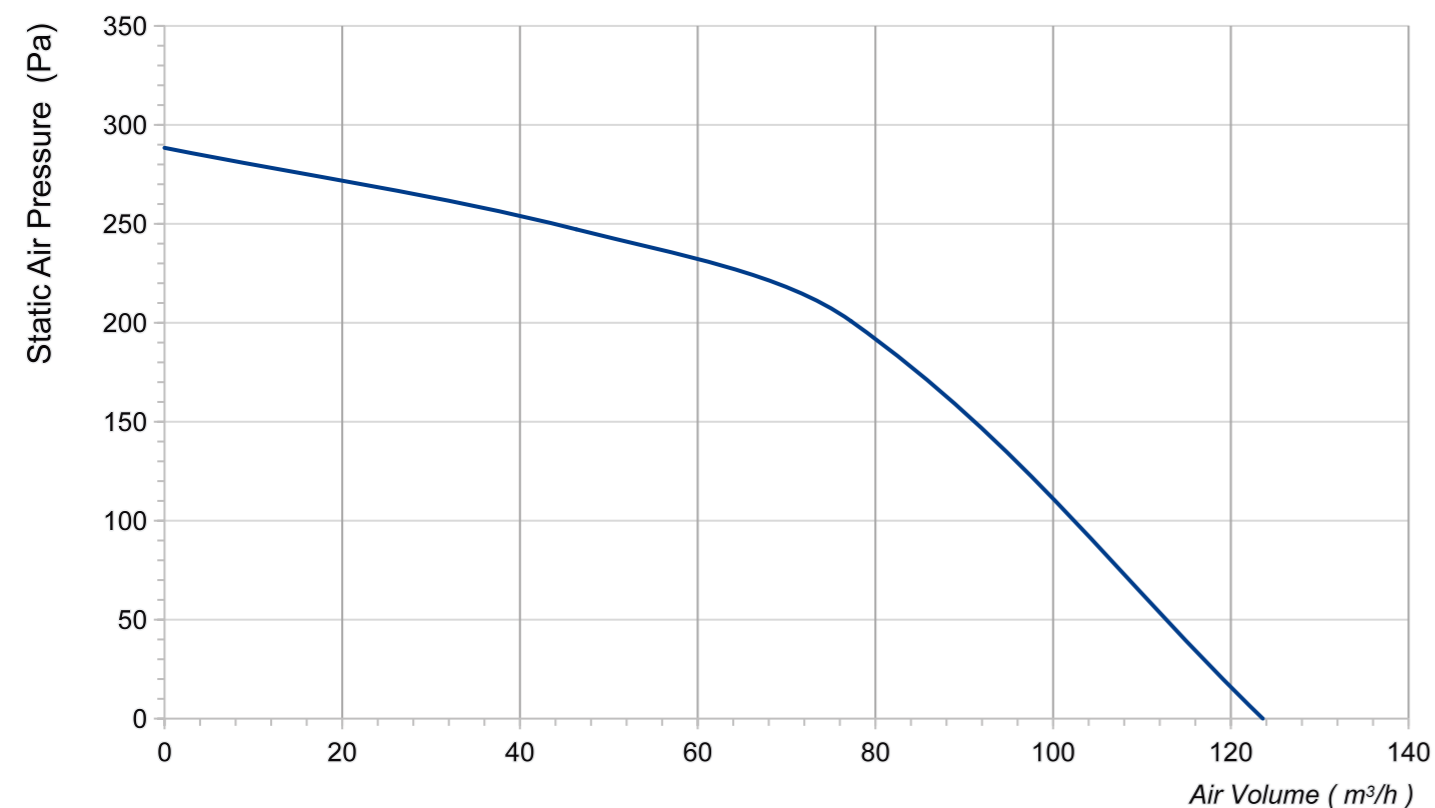
Product Characteristic

- Insulation class: B
- Ball bearings
- Thermally protected
- UL Approved
- Motor anti-vibration mounted

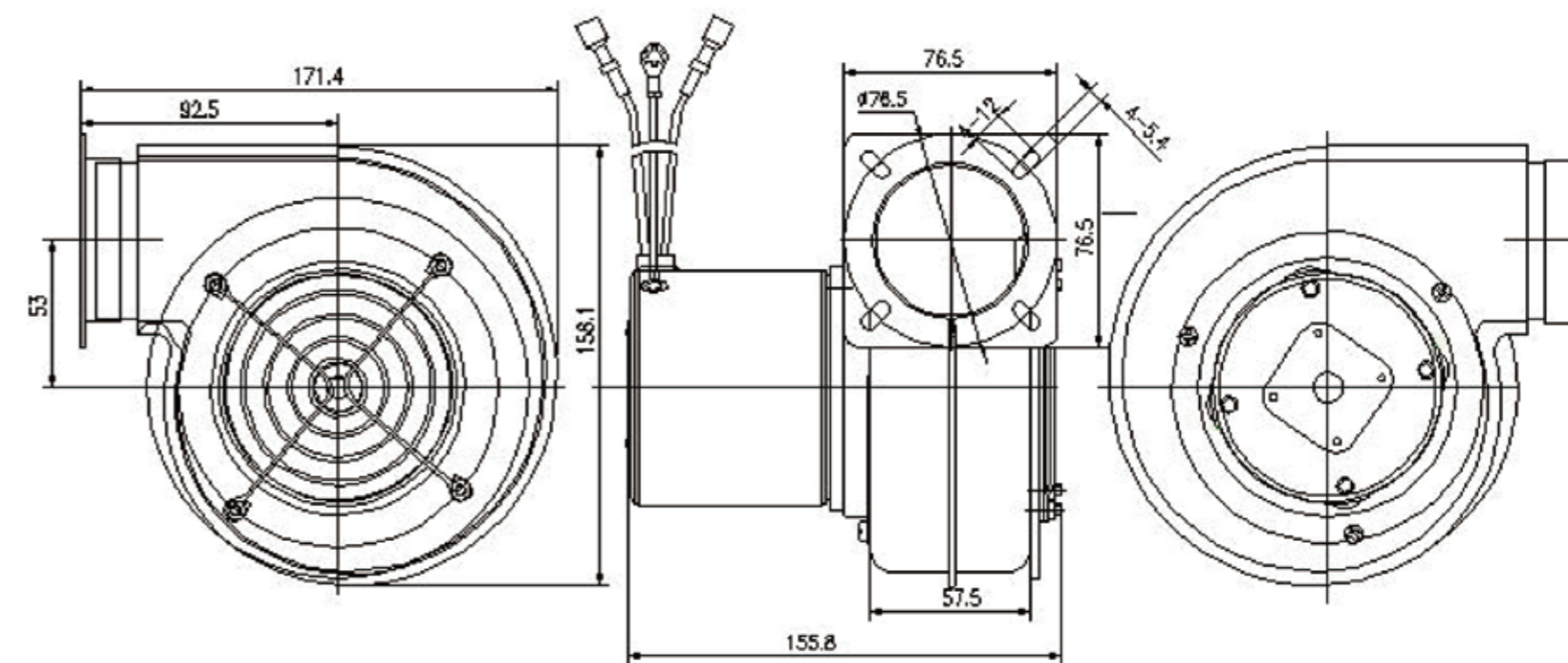


Technical Specifications

Model	Voltage (V)	Frequency (Hz)	Power (W)	Current (A)	Speed (RPM)	Air Volume (m³/h)	Air Pressure (Pa)
LWGE097U-08	115	60	60	0.9	2820	124	288



Product Drawing (mm)



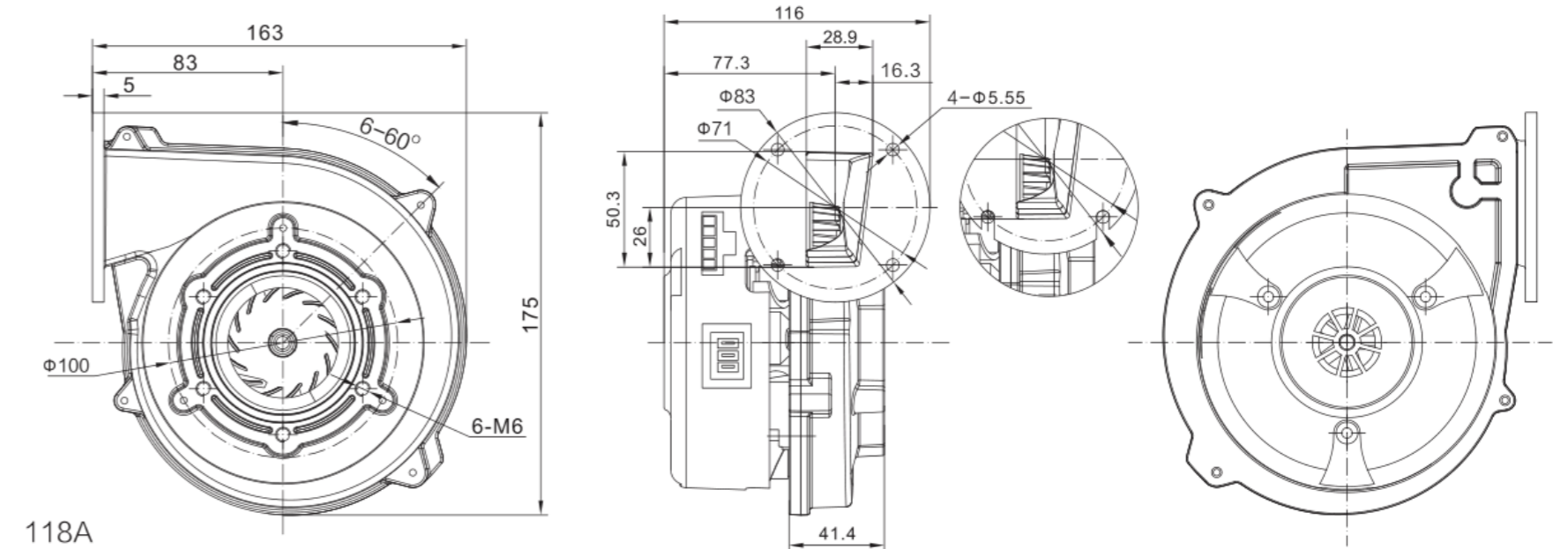
LWGE118 Series

Product Characteristic

- Protection class: IP20
- Impellers: Pplastic
- Insulation Class: Class F
- Housing: Aluminum
- Operating / Storing humidity: 0% to 95% RH
- Operating / Storing Temp: 0°C to + 70°C /-25°C to + 80°C
- Connection port: International standard terminal
- Bearings: Maintenance - free ball bearings
- Way to install: Shaft horizontal or motor mounted on top

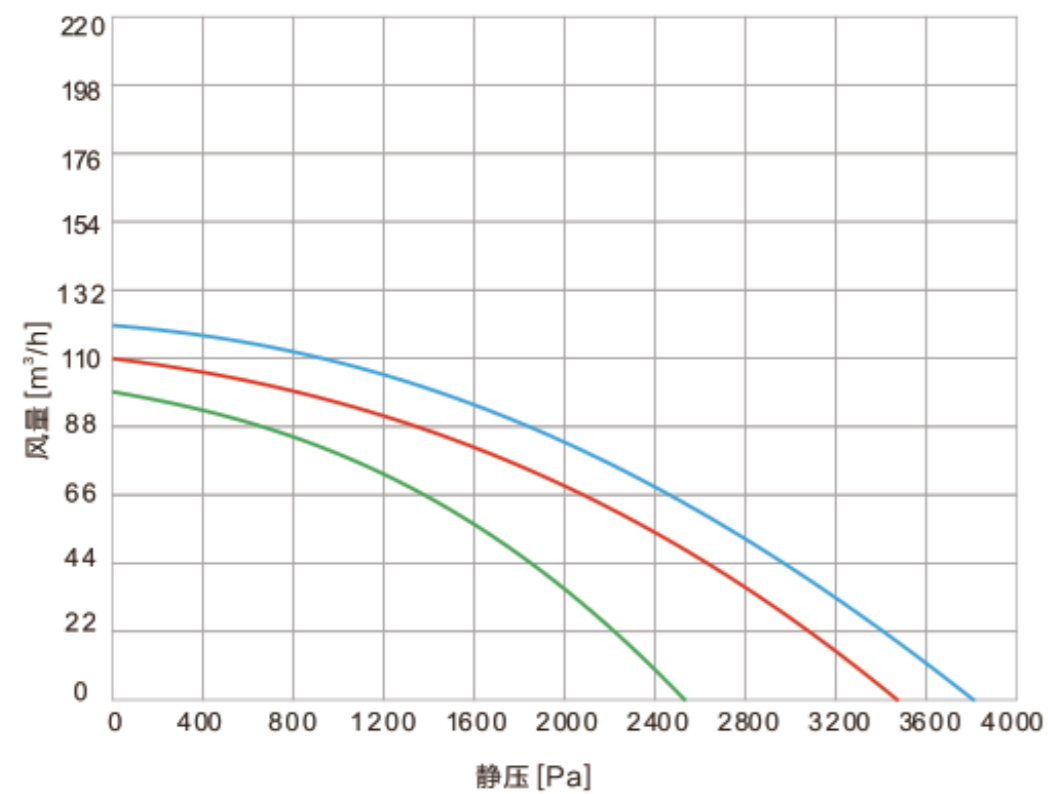


Product Drawing (mm)



Technical Specifications

Model	Voltage (V)	Frequency (Hz)	Input Power (W)	Speed (RPM)	Air Volume (m³/h)	Current (A)	Air Pressure (Pa)	Net Weight (kg)
LWGE118S-01	230	50/60	73	10000	120	0.69	3800	1.08
LWGE118U-02	115	50/60	70	10000	110	0.59	3500	1.08



● 220V ● 110V ● 24V

LWGE118 Series

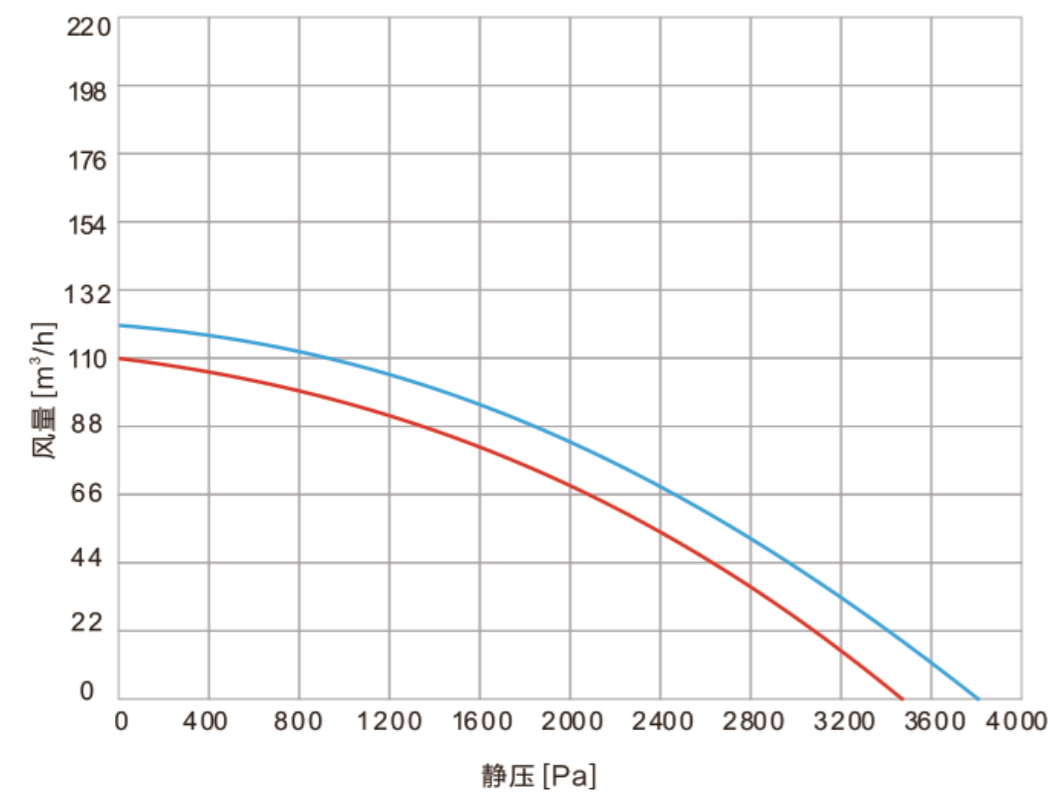
Product Characteristic

- Protection class: IP20
- Impellers: Plastic
- Insulation Class: Class F
- Housing: Aluminum
- Operating / Storing humidity: 0% to 95% RH
- Operating / Storing Temp: 0°C to + 70°C /-25°C to + 80°C
- Connection port: International standard terminal
- Bearings: Maintenance - free ball bearings
- Way to install: Shaft horizontal or motor mounted on top



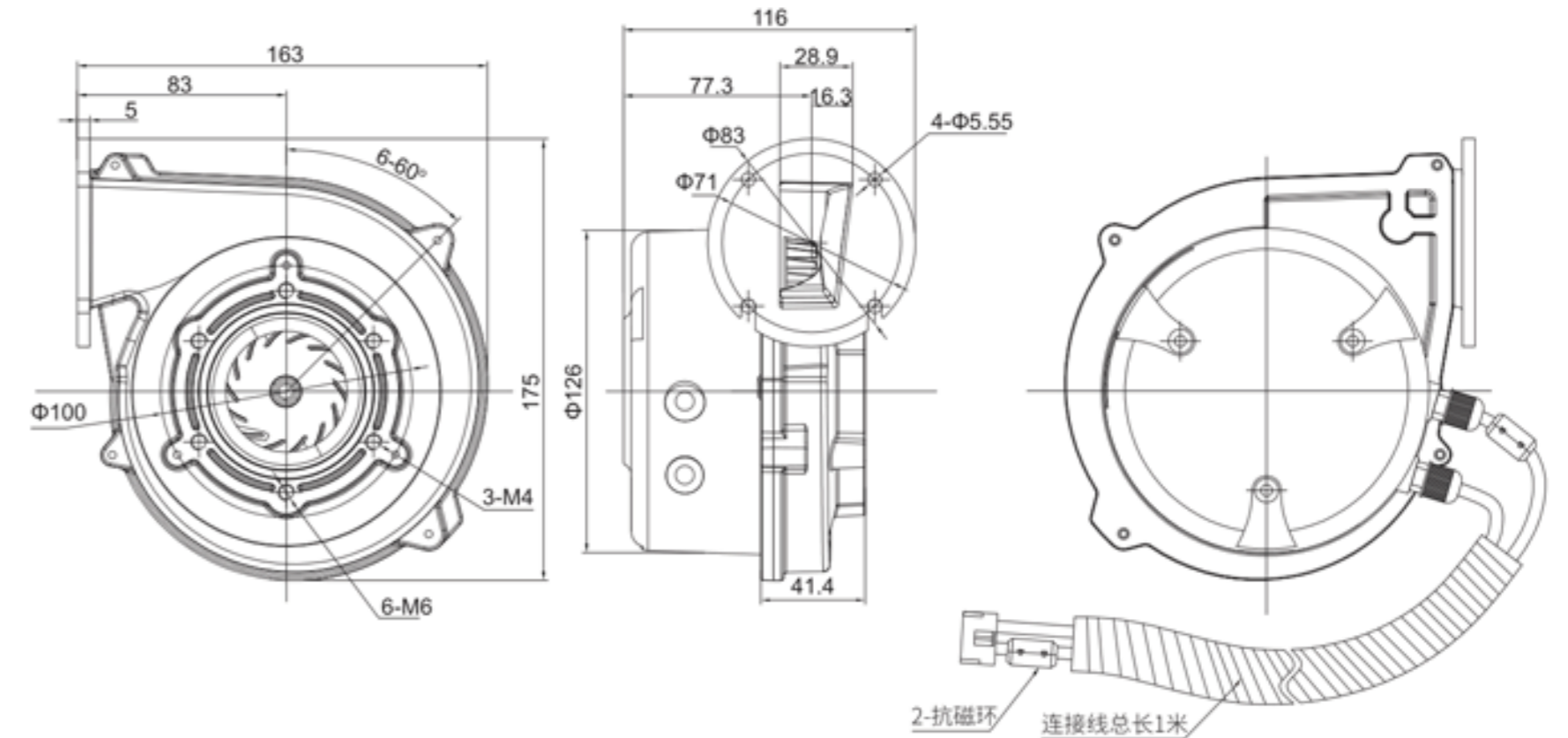
Technical Specifications

Model	Voltage (V)	Frequency (Hz)	Input Power (W)	Speed (RPM)	Air Volume (m³/h)	Current (A)	Air Pressure (Pa)	Net Weight (kg)
LWGE118S-03	230	50/60	73	10000	120	0.69	3800	1.08
LWGE118U-04	115	50/60	70	10000	110	0.59	3500	1.08



● 220V ● 110V

Product Drawing (mm)



LWGE118 Series (Premixed Blower)

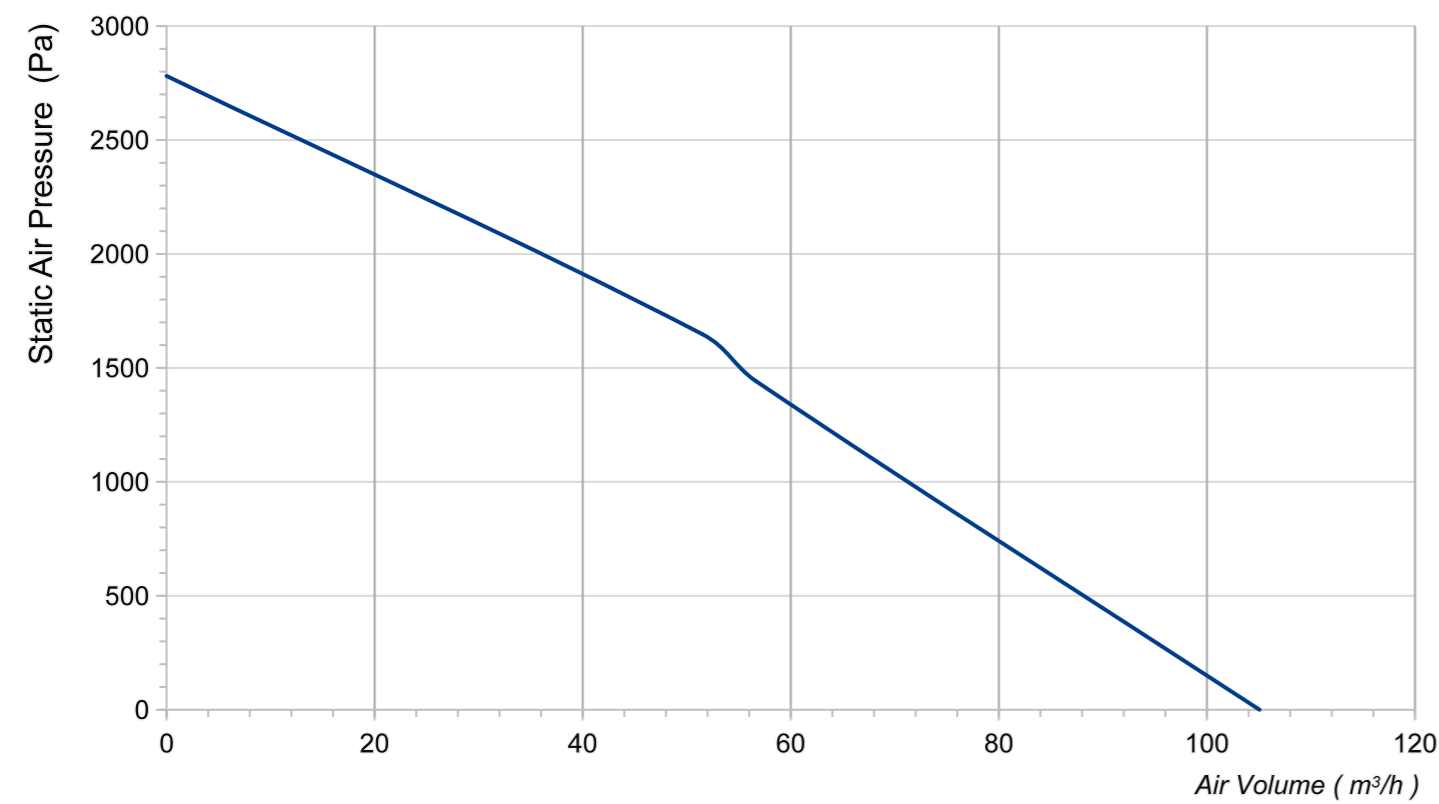
Product Characteristic

- Insulation class: F
- Die-cast aluminum housing
- Conductive plastic impeller
- Ball bearing on two sides
- Motor anti-vibration mounted
- Mounting position must be specified for corresponding support elements

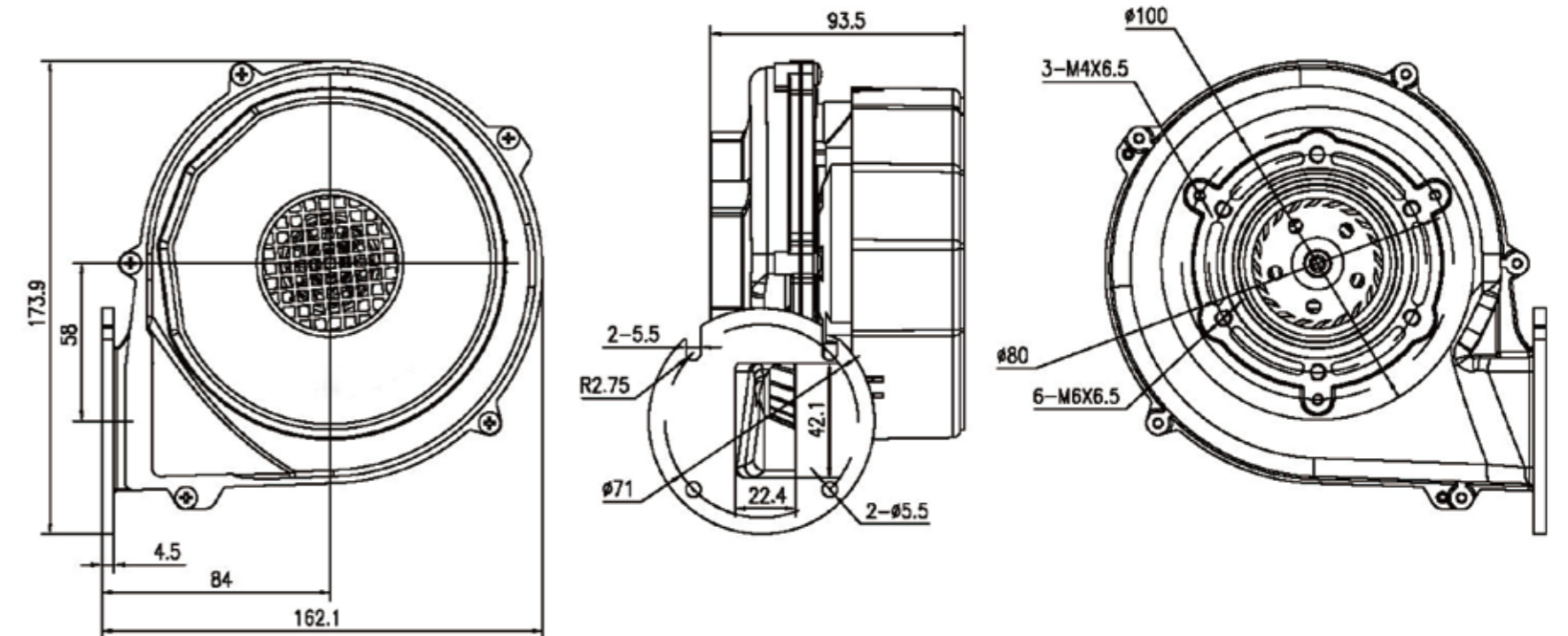


Technical Specifications

Model	Voltage (V)	Frequency (Hz)	Power (W)	Current (A)	Speed (RPM)	Air Volume (m³/h)	Air Pressure (Pa)
LWGE118S-05	230	50	68	0.51	9300	105	2781



Product Drawing (mm)



LWGE120 Series (Centrifugal Blower)

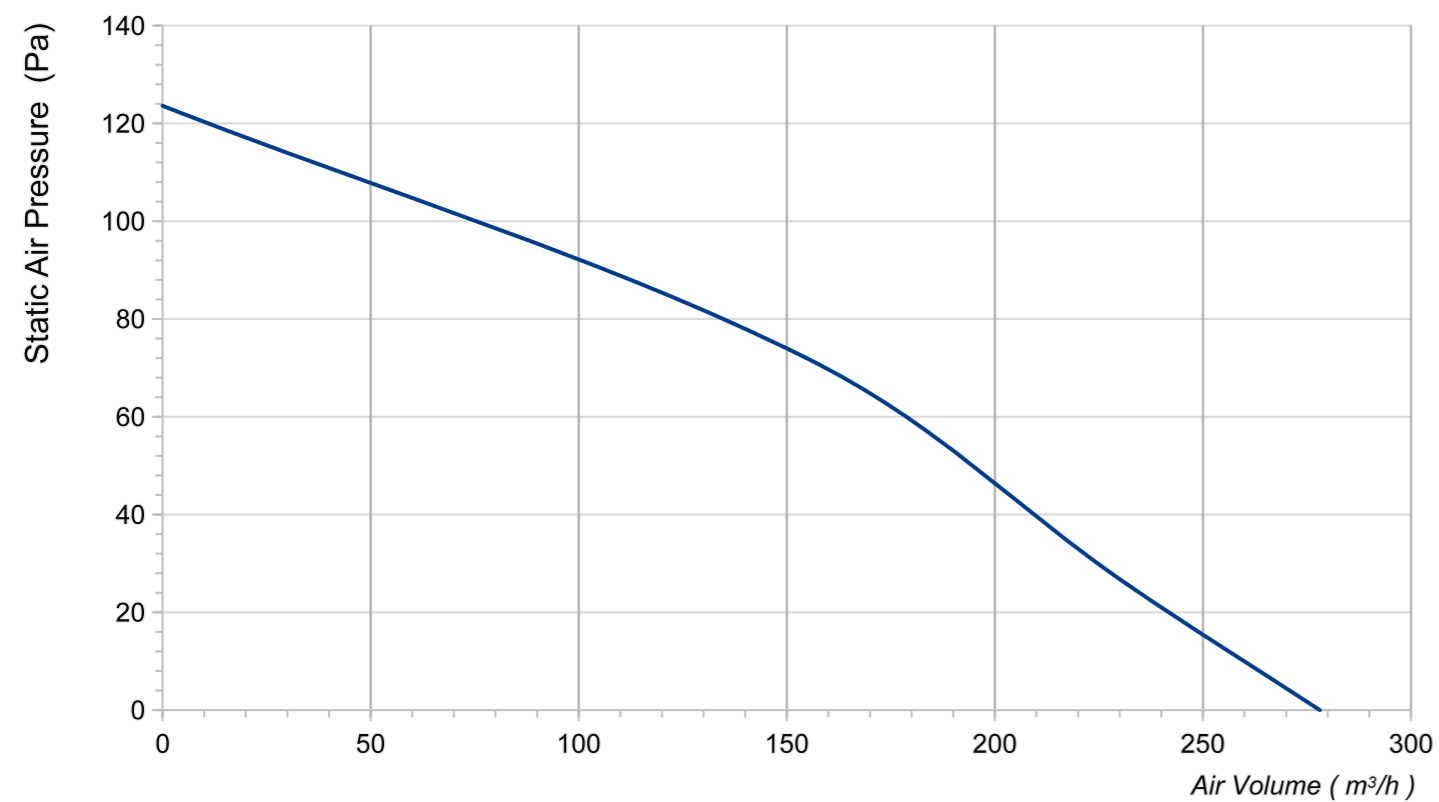
Product Characteristic

- Insulation class: F
- Die-cast aluminum housing
- Anti-spark plastic impeller
- PWM for speed control
- Motor anti-vibration mounted

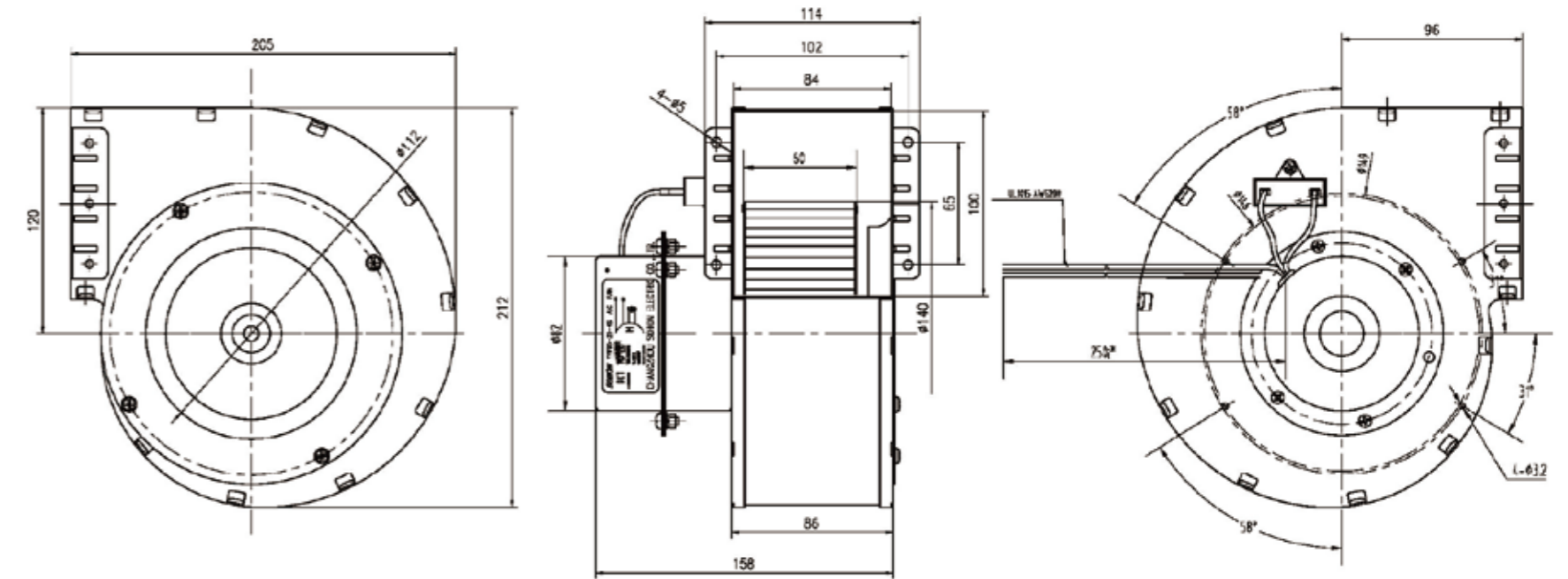


Technical Specifications

Model	Voltage (V)	Frequency (Hz)	Power (W)	Current (A)	Speed (RPM)	Air Volume (m³/h)	Air Pressure (mm)
LWGE120S-01	220	50	34	0.18	1000	278	124



Product Drawing (mm)



LWGE130 Series (Premixed Blower)

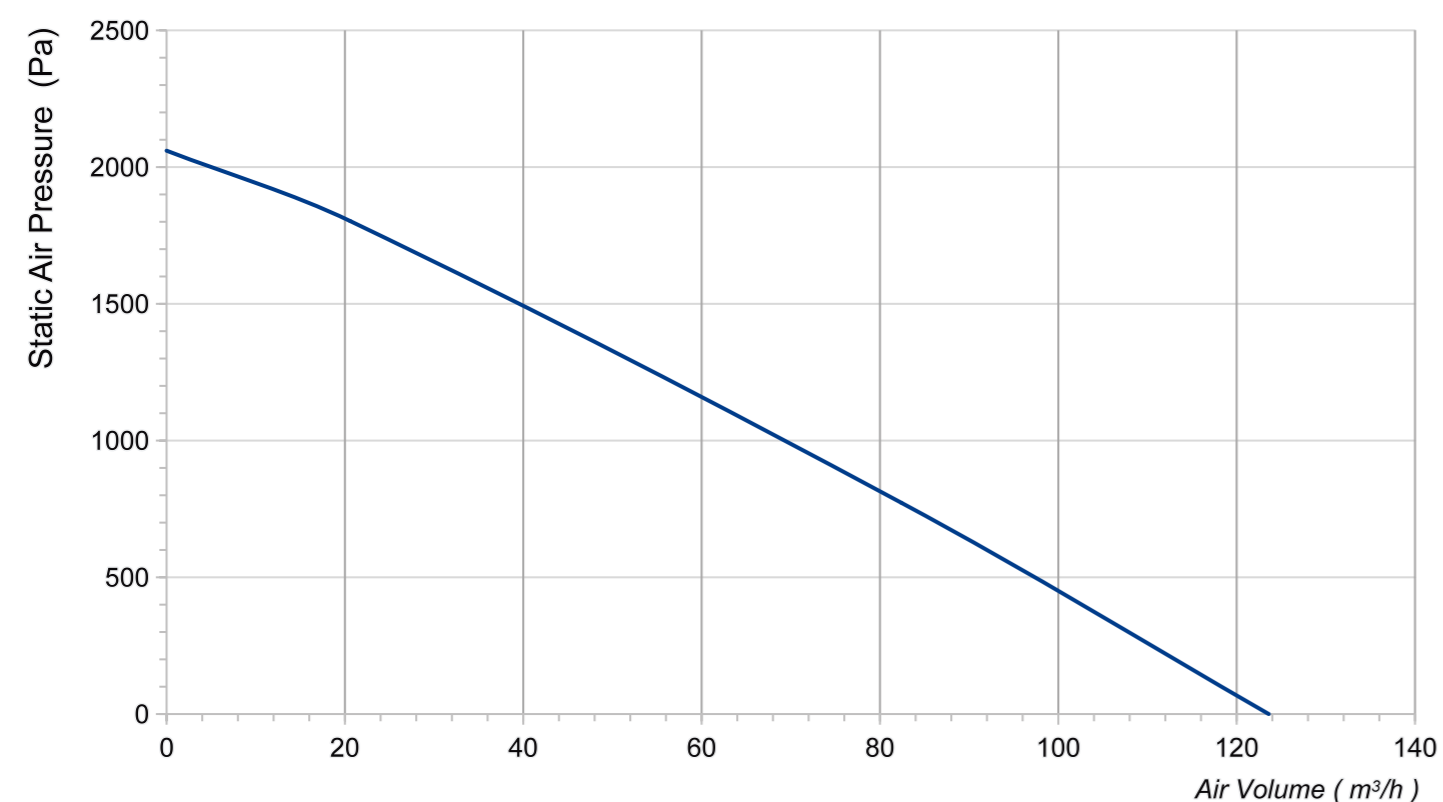
Product Characteristic

- Insulation class: F
- Die-cast aluminum housing
- Anti-spark plastic impeller
- PWM for speed control
- Motor anti-vibration mounted

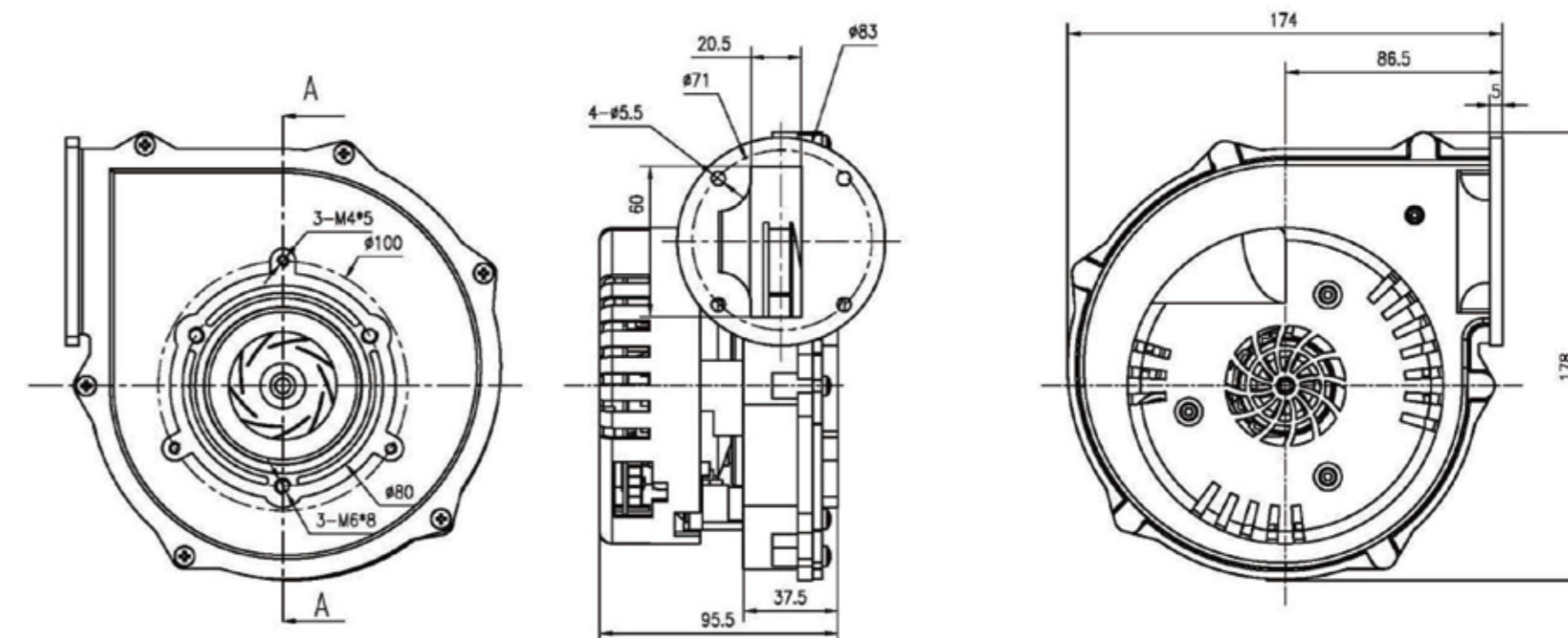


Technical Specifications

Model	Voltage (V)	Frequency (Hz)	Power (W)	Current (A)	Speed (RPM)	Air Volume (m³/h)	Air Pressure (Pa)
LWGE130S-01	230	50	54	0.46	8500	129	2575



Product Drawing (mm)



LWGE140 Series (Centrifugal Blower)

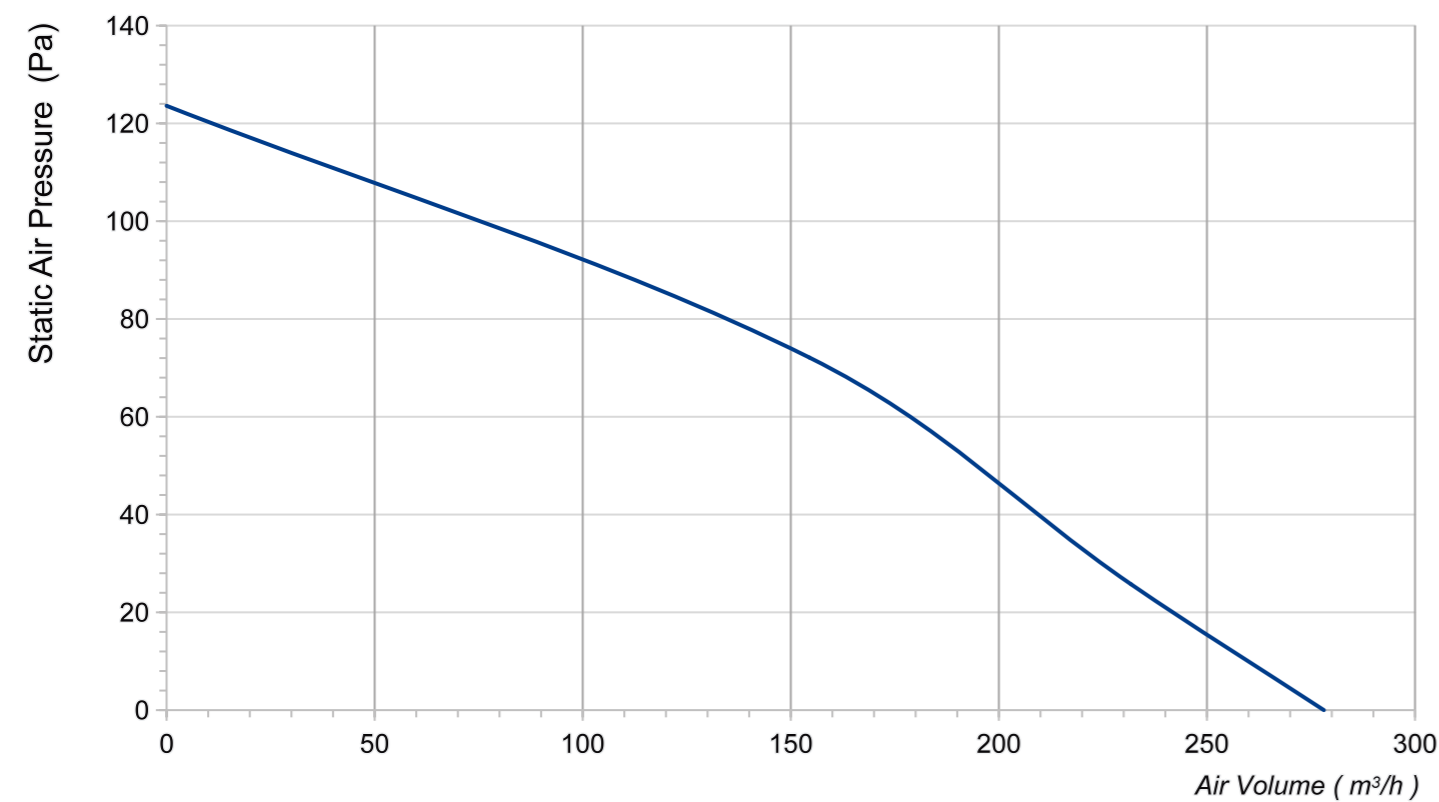
Product Characteristic

- Insulation class: F
- Die-cast aluminum housing
- Anti-spark plastic impeller
- PWM for speed control
- Motor anti-vibration mounted

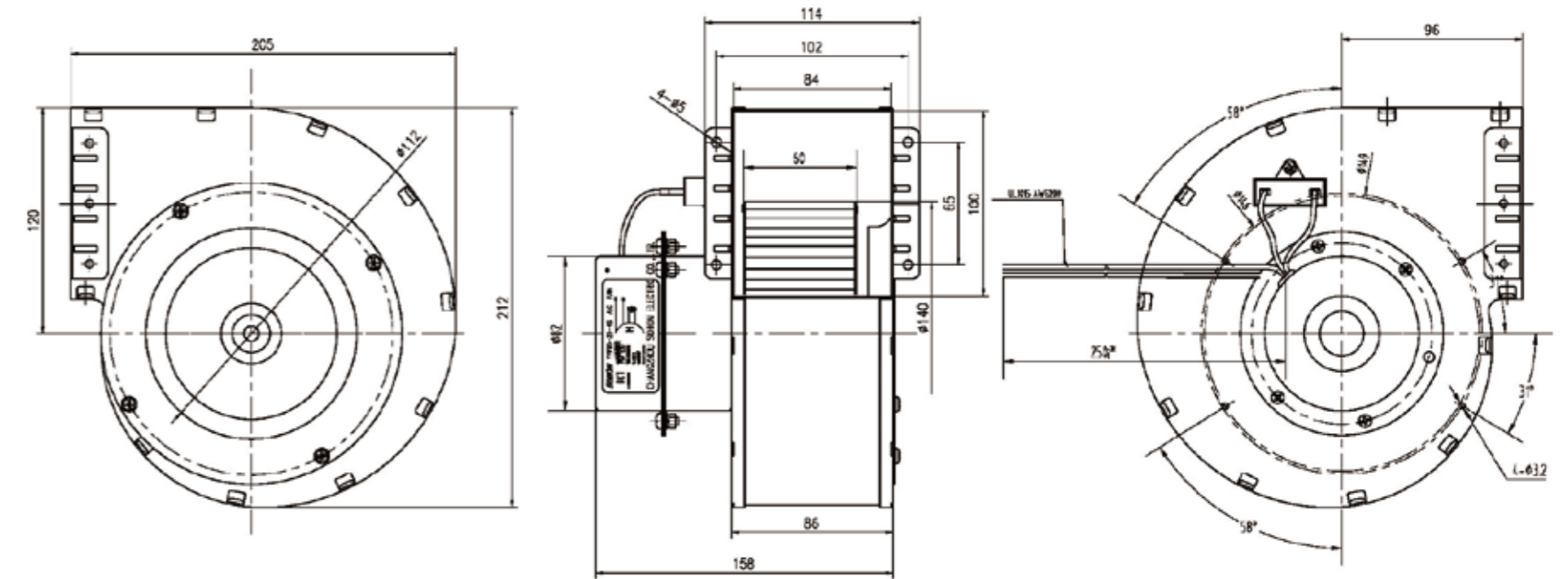


Technical Specifications

Model	Voltage (V)	Frequency (Hz)	Power (W)	Current (A)	Speed (RPM)	Air Volume (m³/h)	Air Pressure (mm)
LWGE140U-01	100	50	34	0.34	1000	278	124



Product Drawing (mm)



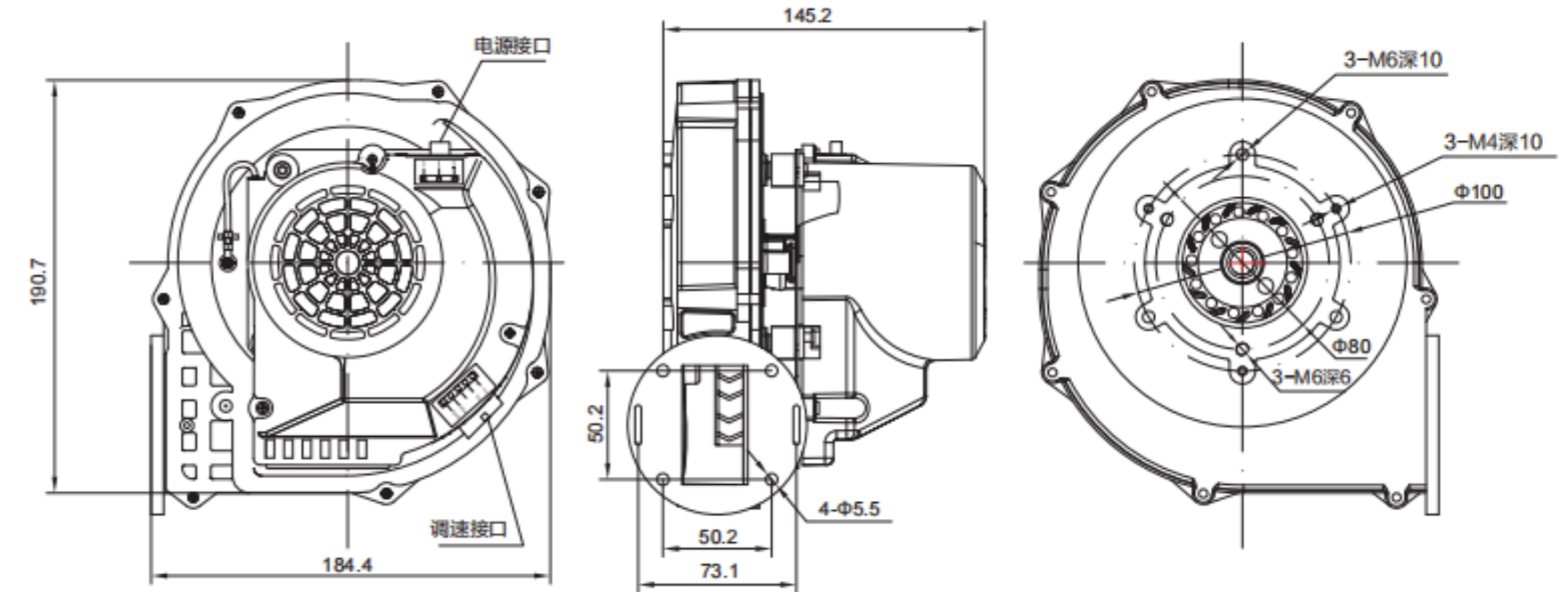
LWGE148 Series

Product Characteristic

- Protection class: IP20
- Impellers: Plastic
- Insulation Class: Class F
- Housing: Aluminum
- Operating / Storing humidity: 0% to 95% RH
- Operating / Storing Temp: 0°C to + 70°C /-25°C to + 80°C
- Connection port: International standard terminal
- Bearings: Maintenance - free ball bearings
- Way to install: Shaft horizontal or motor mounted on top

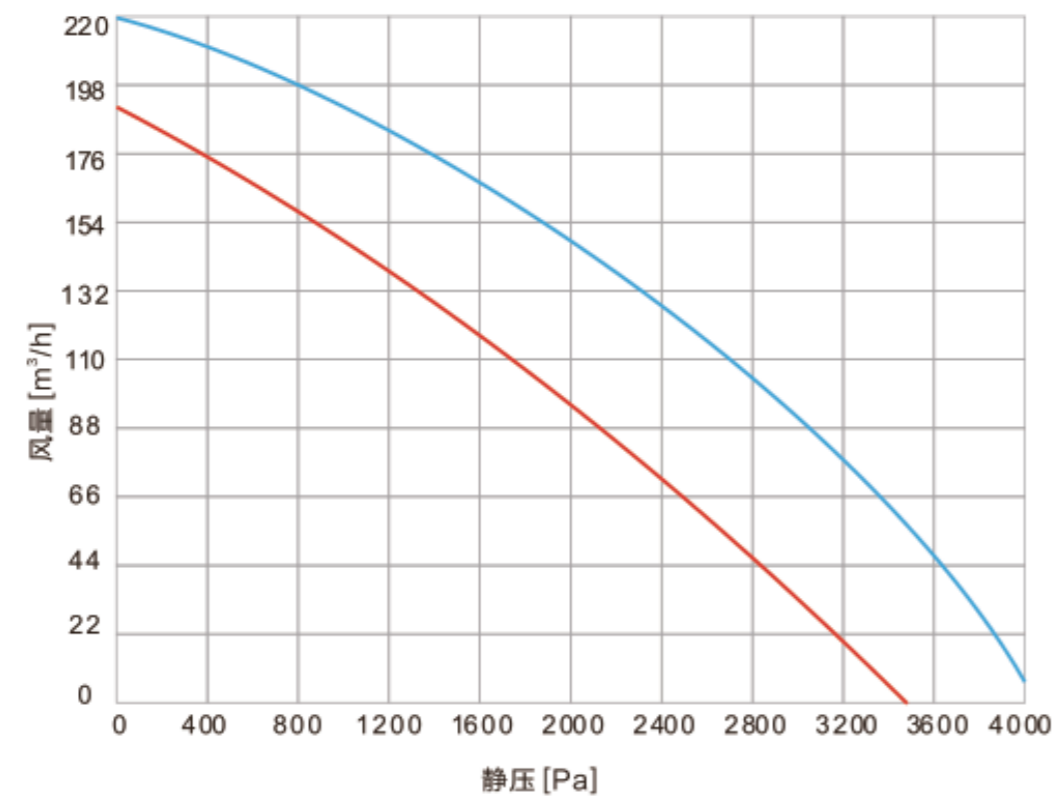


Product Drawing (mm)



Technical Specifications

Model	Voltage (V)	Frequency (Hz)	Input Power (W)	Speed (RPM)	Air Volume (m³/h)	Current (A)	Air Pressure (Pa)	Net Weight (kg)
LWGE148S-01	230	50/60	210	10000	220	1.7	4100	1.9
LWGE148S-02	230	50/60	130	8500	190	1.04	3500	1.9



● D-RG148 ● D-RG148L

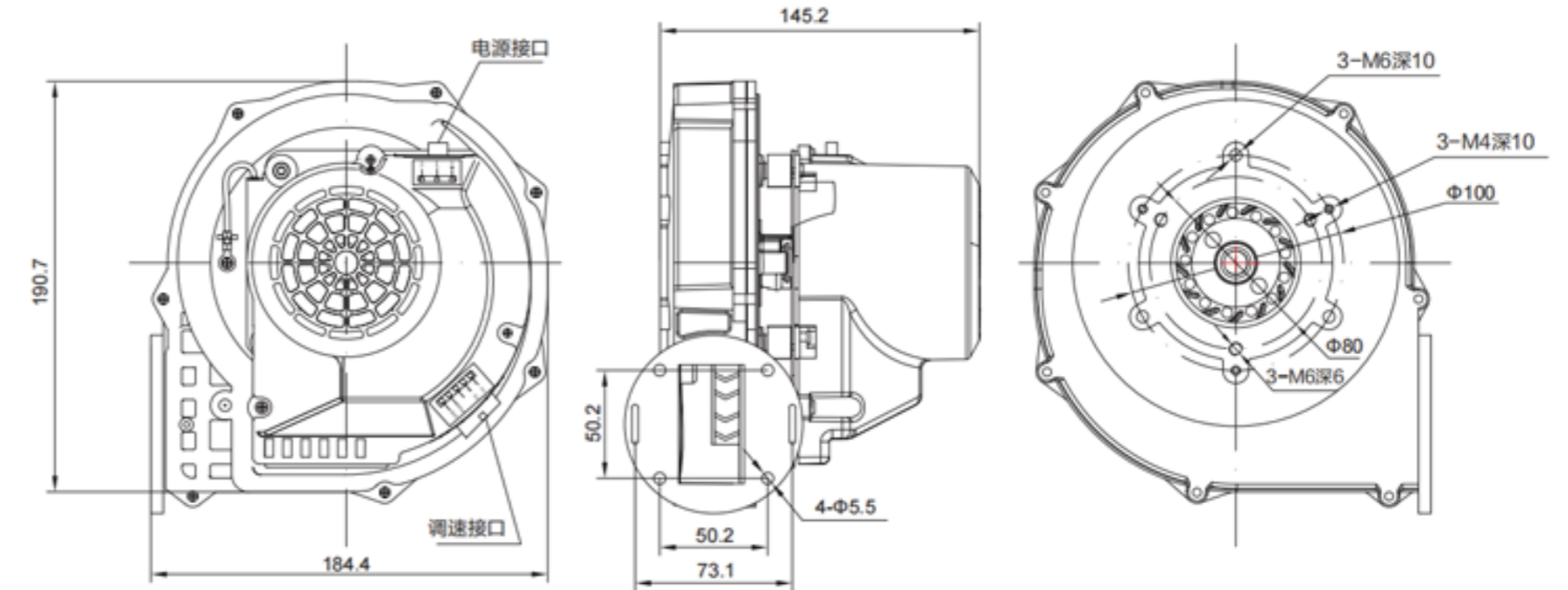
LWGE148 Series

Product Characteristic

- Protection class: IP20
- Impellers: Plastic
- Insulation Class: Class F
- Housing: Aluminum
- Operating / Storing humidity: 0% to 95% RH
- Operating / Storing Temp: 0°C to + 70°C / -25°C to + 80°C
- Connection port: International standard terminal
- Bearings: Maintenance - free ball bearings
- Way to install: Shaft horizontal or motor mounted on top

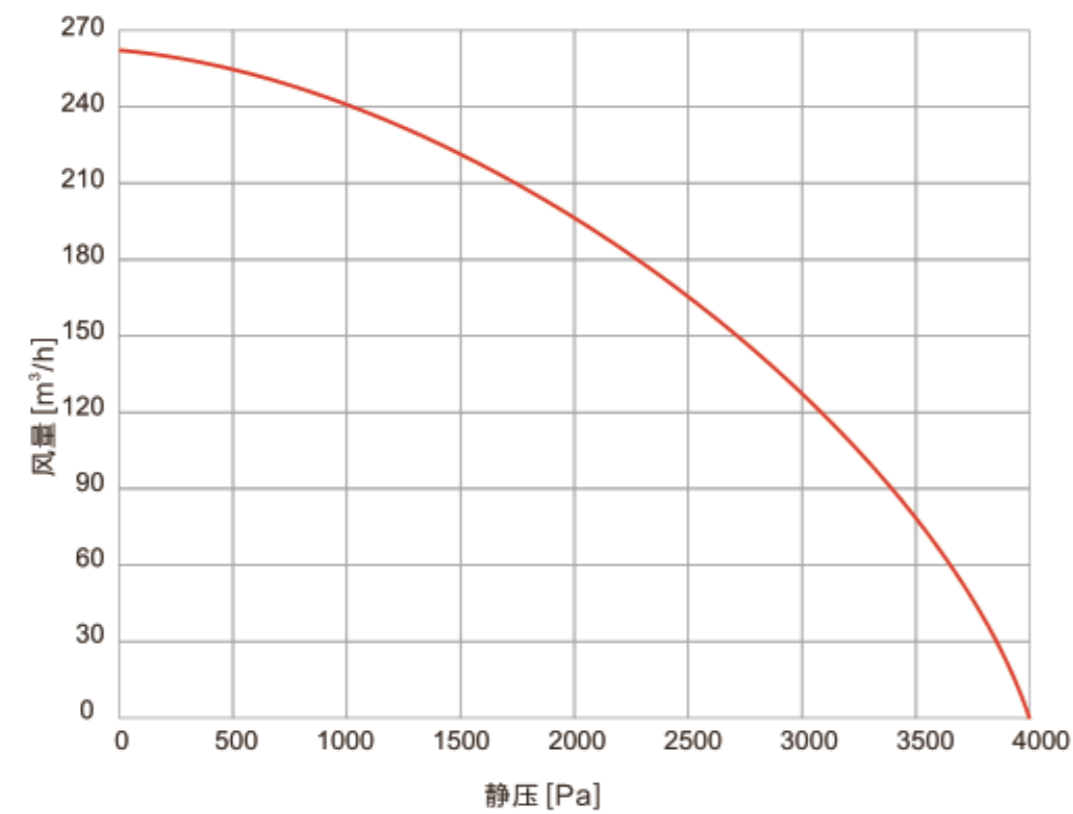


Product Drawing (mm)



Technical Specifications

Model	Voltage (V)	Frequency (Hz)	Input Power (W)	Speed (RPM)	Air Volume (m³/h)	Current (A)	Air Pressure (Pa)	Net Weight (kg)
LWGE148U-03	115	50/60	300	9500	260	3.2	4100	2.1
LWGE148S-04	230	50/60	300	9500	260	2.4	4100	2.1



LWGE148 Series (Premixed Blower)

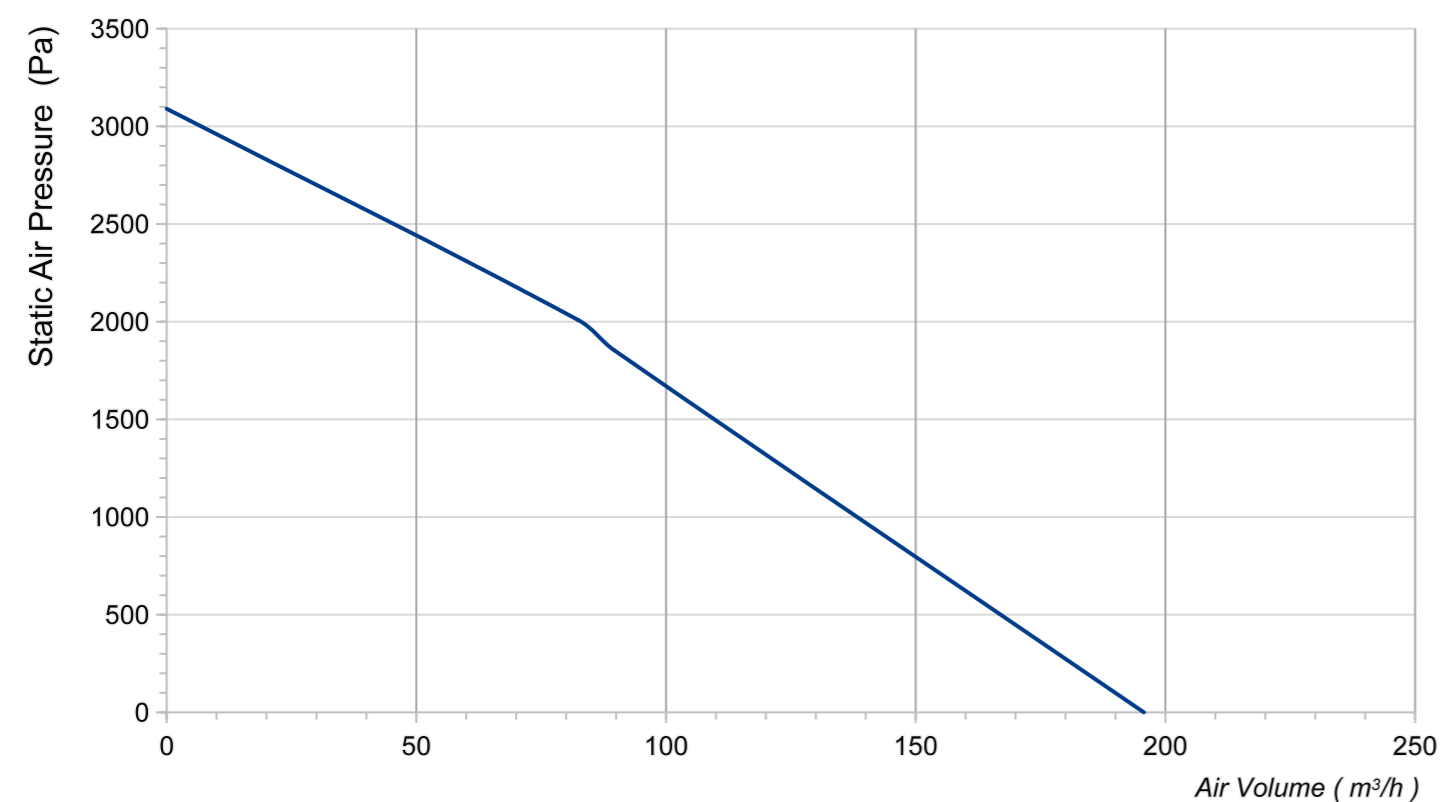
Product Characteristic

- Insulation class: F
- Die-cast aluminum housing
- Anti-spark plastic impeller
- PWM for speed control
- Motor anti-vibration mounted

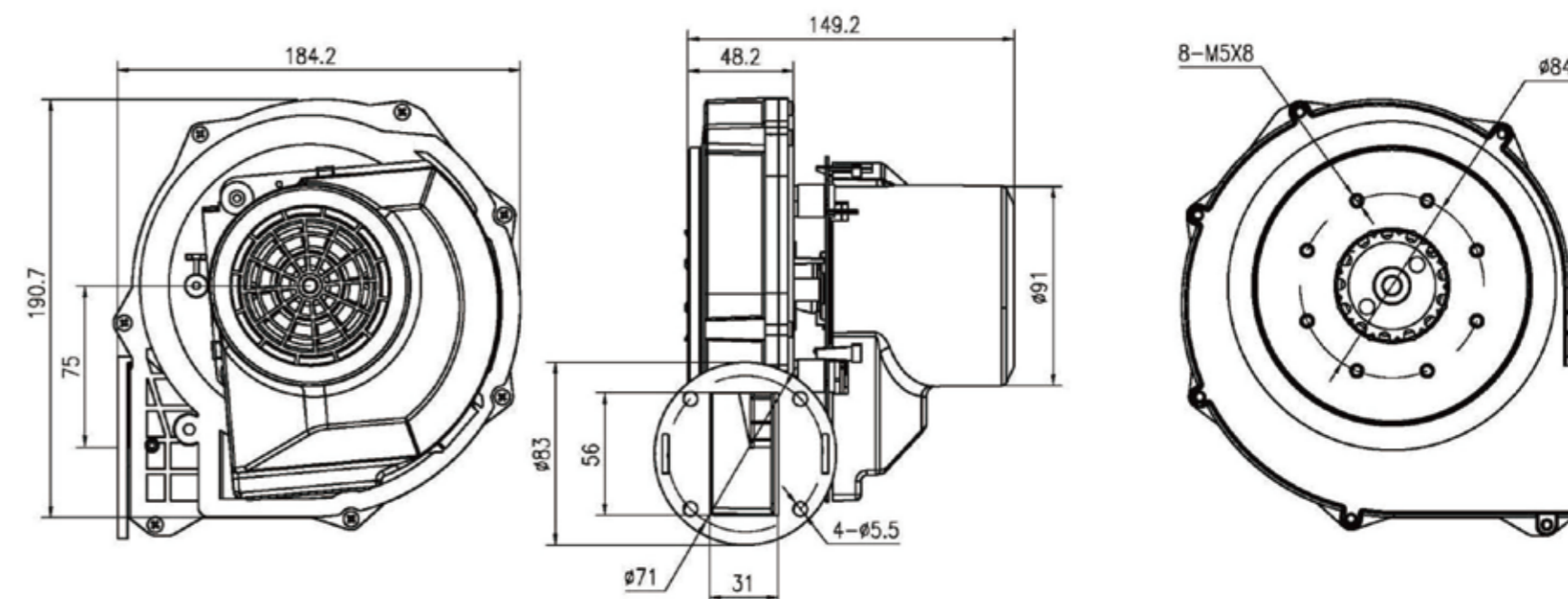


Technical Specifications

Model	Voltage (V)	Frequency (Hz)	Power (W)	Current (A)	Speed (RPM)	Air Volume (m³/h)	Air Pressure (Pa)
LWGE148S-05	230	50	130	0.9	8400	196	3090



Product Drawing (mm)



LWGE148 Series (Premixed Blower)

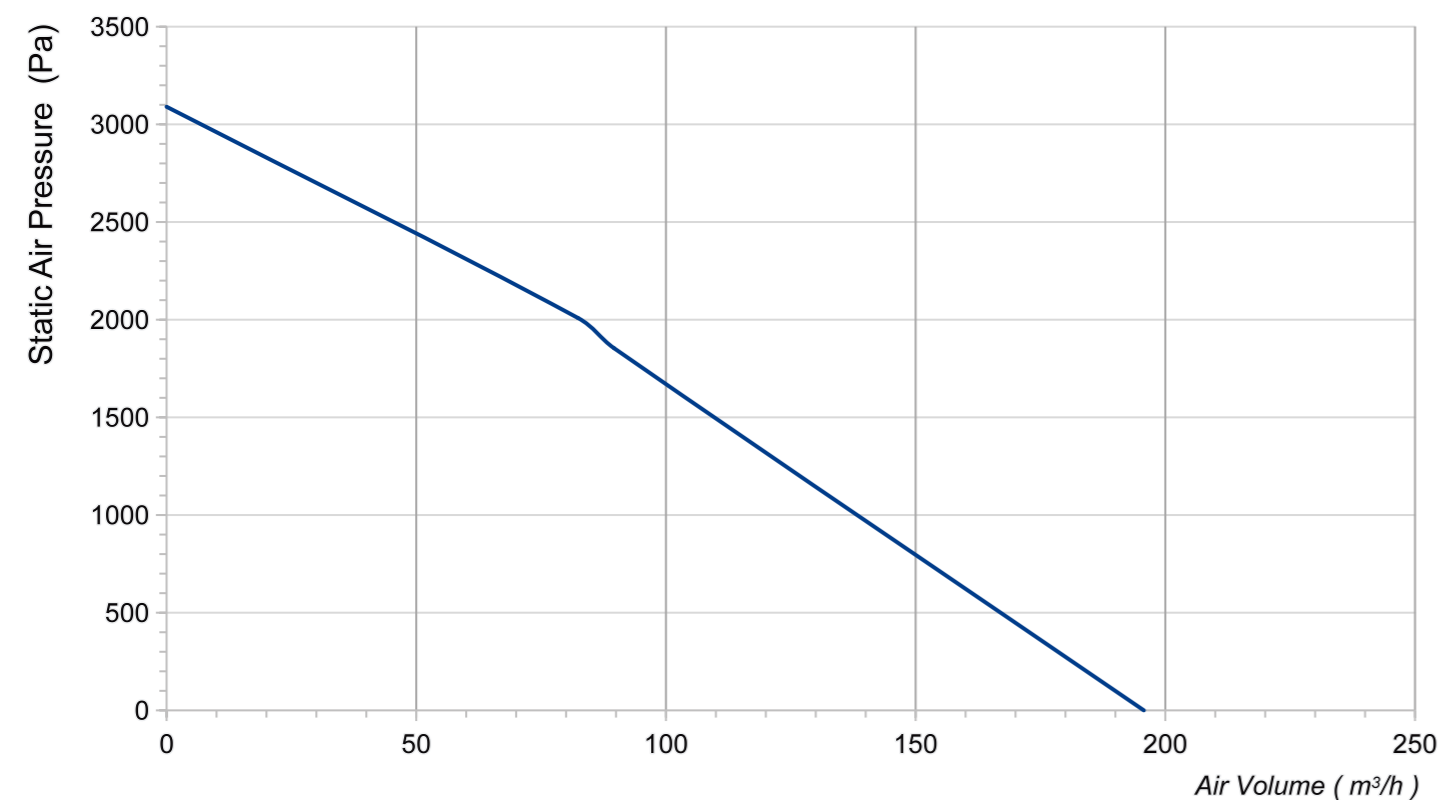
Product Characteristic

- Insulation class: F
- Die-cast aluminum housing
- Anti-spark plastic impeller
- PWM for speed control
- Motor anti-vibration mounted

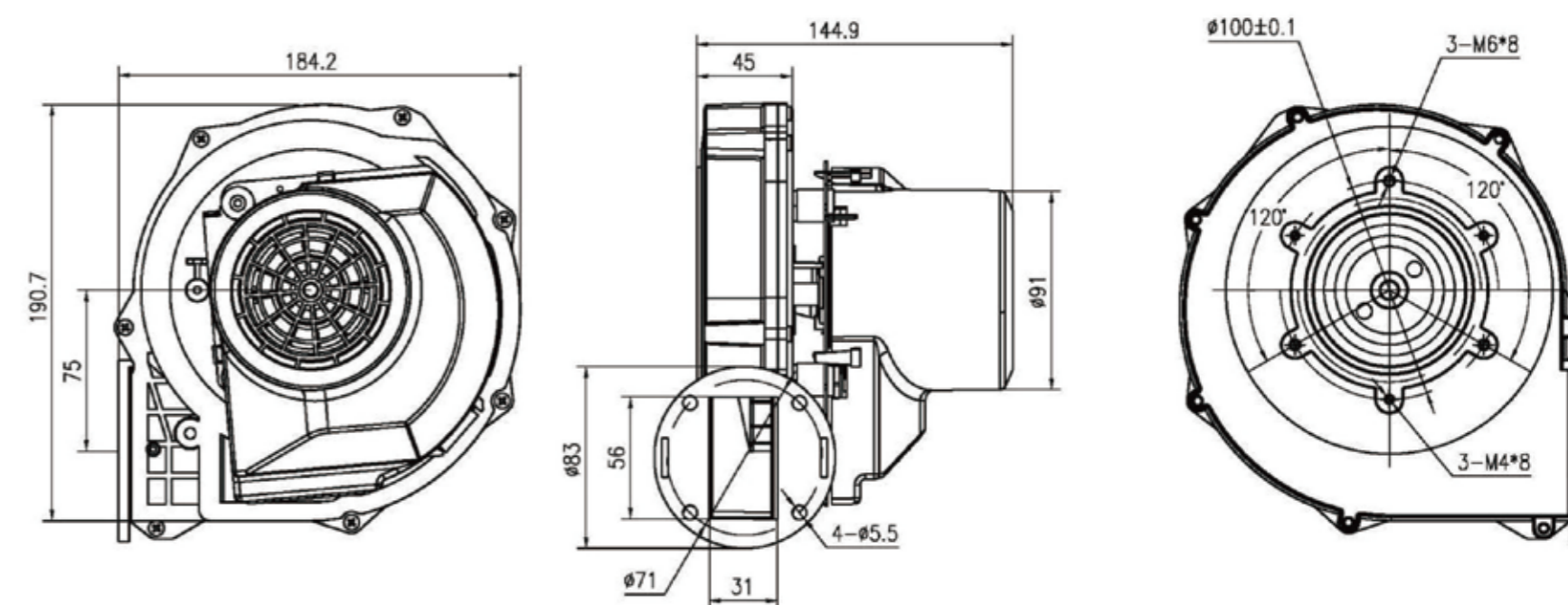


Technical Specifications

Model	Voltage (V)	Frequency (Hz)	Power (W)	Current (A)	Speed (RPM)	Air Volume (m³/h)	Air Pressure (Pa)
LWGE148S-06	230	50	130	0.9	8400	196	3090



Product Drawing (mm)



LWGE150 Series (Exhaust Blower)

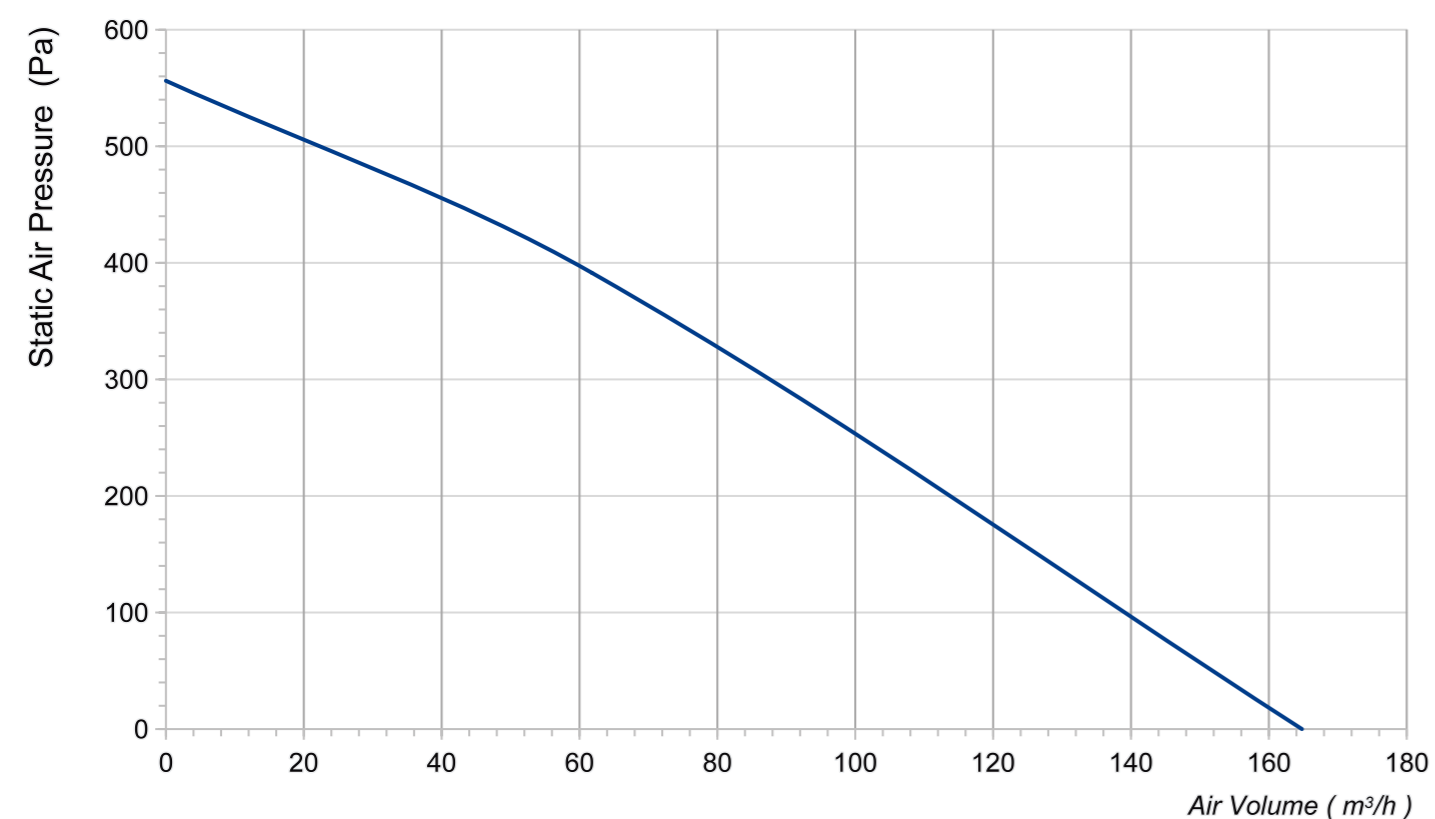
Product Characteristic

- Insulation class: F
- Housing & impeller: Aluminized sheet steel
- Flue temperature: ≤180 °C (continuous)
≤240 °C (instantaneous)
- Motor anti-vibration mounted
- Mounting position must be specified for corresponding support elements

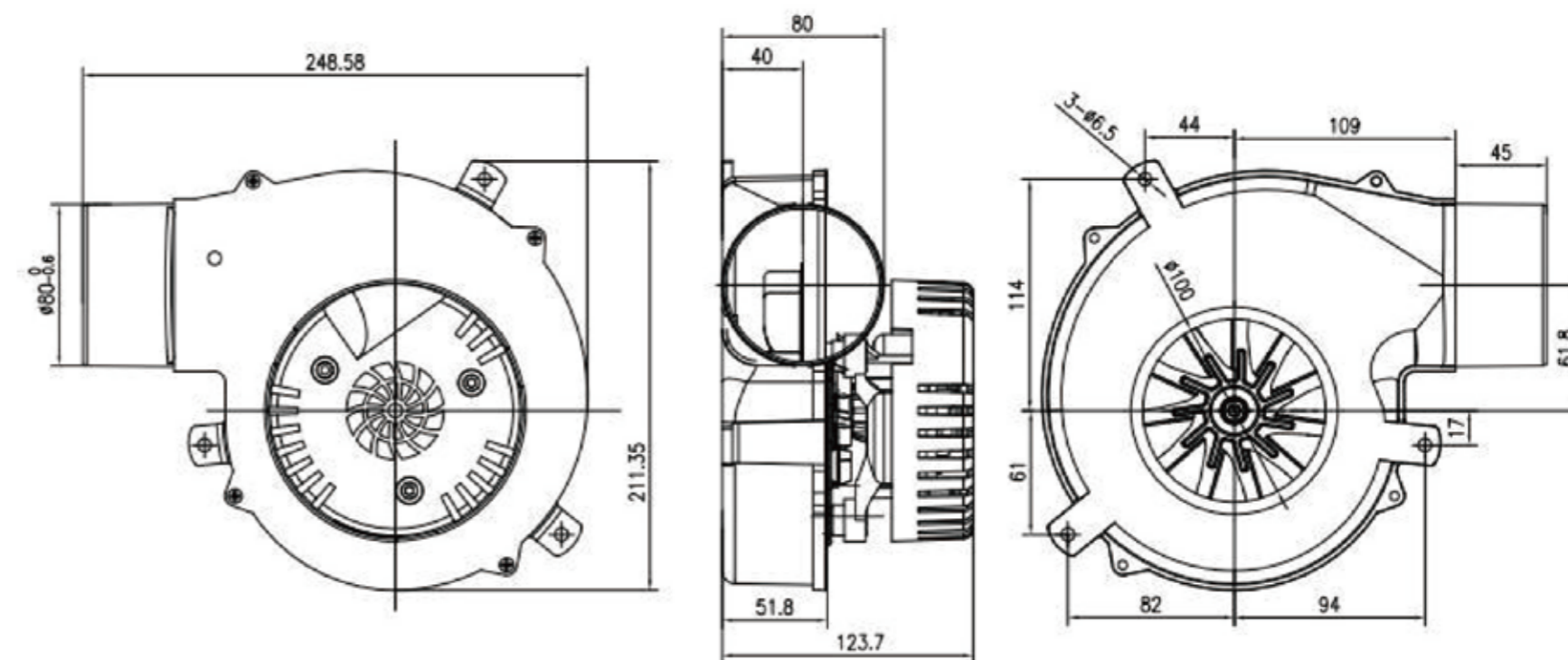


Technical Specifications

Model	Voltage (V)	Frequency (Hz)	Power (W)	Current (A)	Speed (RPM)	Air Volume (m³/h)	Air Pressure (Pa)
LWGE150S-01	230	50	40	0.35	4000	165	556



Product Drawing (mm)



DC Gas Blower

- Powerful airflow capabilities for effective gas movement and circulation
- Minimizes pressure drops and optimizes gas flow rates for enhanced productivity
- Advanced control systems for accurate gas flow adjustment and regulation
- Enables fine-tuning of gas processes and ensures consistency in gas handling operations
- Built-in safety features to prevent gas leaks and maintain operational integrity



LWGD108 Series (Premixed Blower)

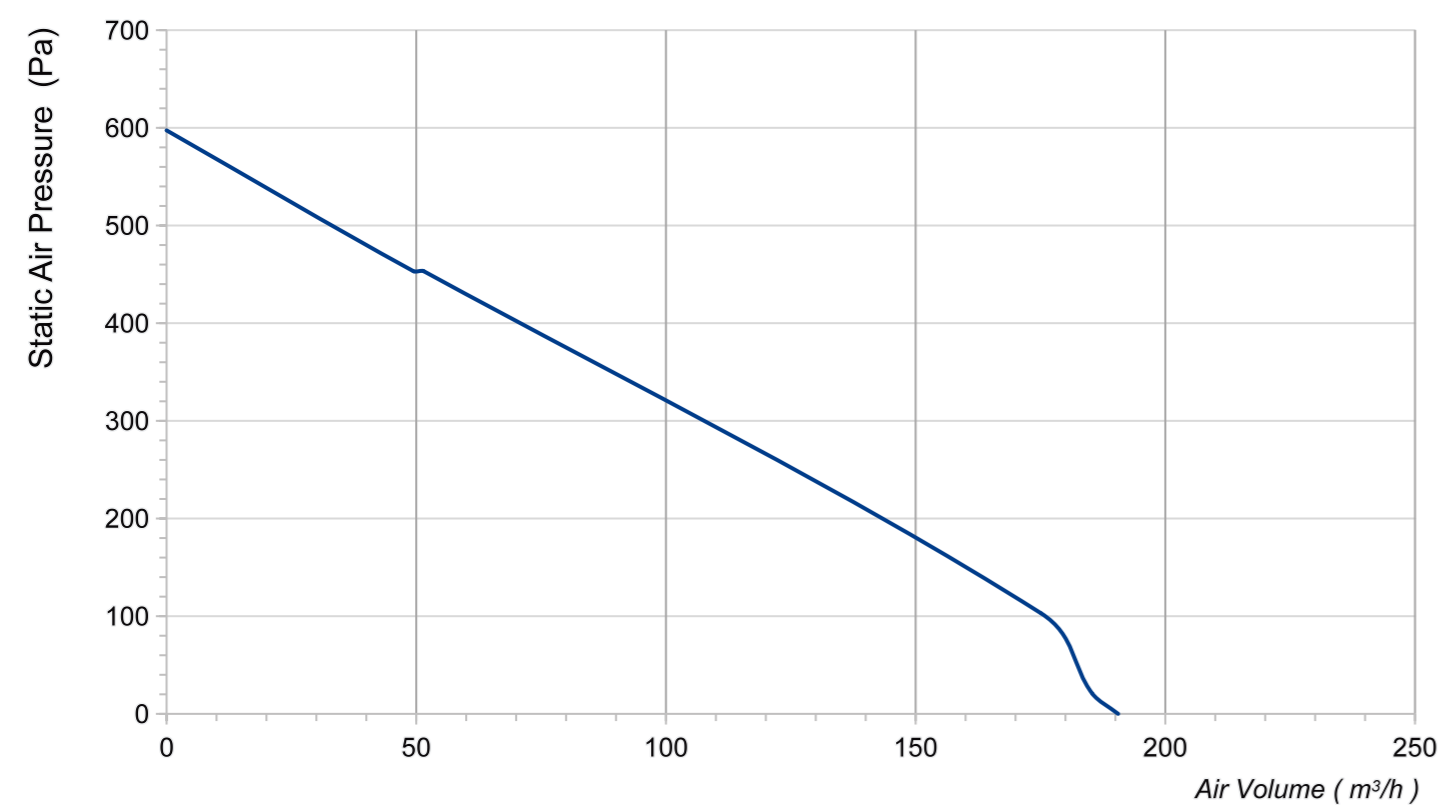
Product Characteristic

- Insulation class: F
- Housing & impeller: Aluminized sheet steel
- Flue temperature: ≤180 C (continuous)
≤240 C (instantaneous)
- Motor anti-vibration mounted
- EC Motor with PWM speed control

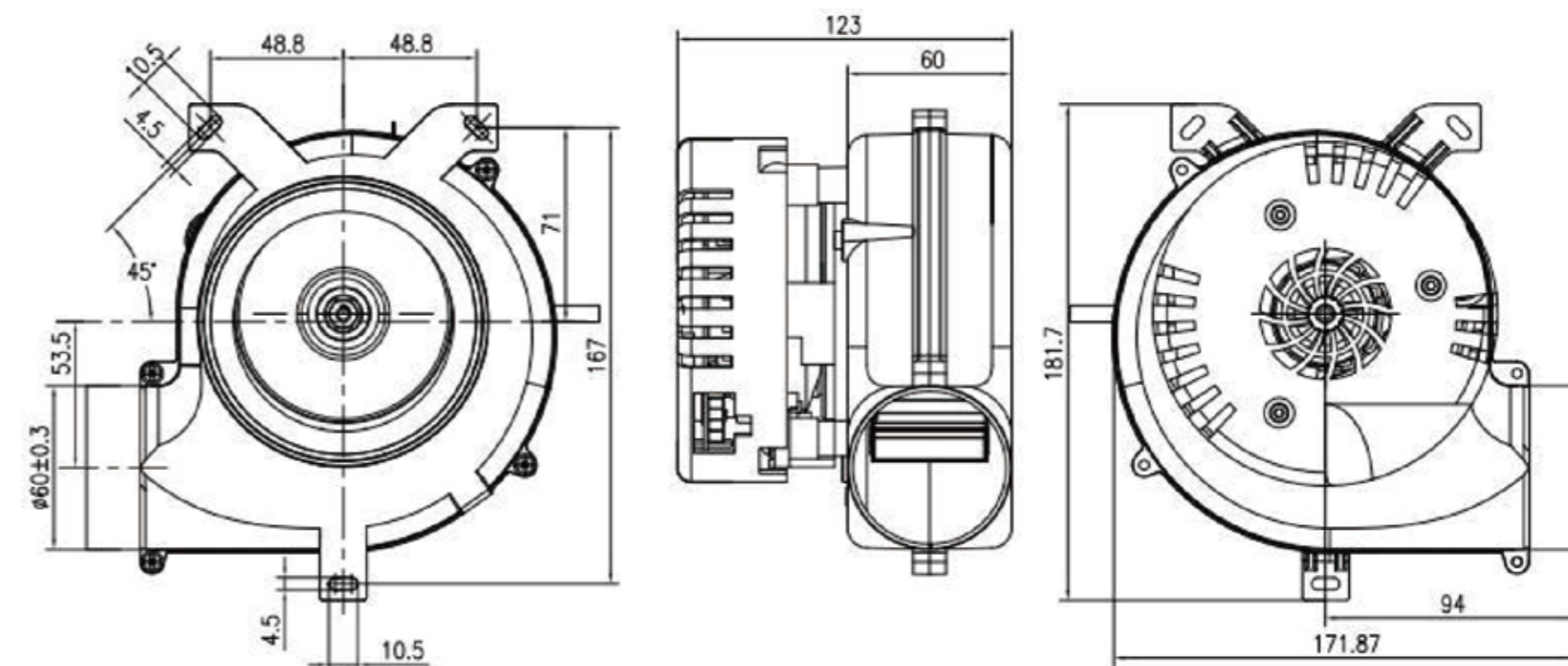


Technical Specifications

Model	Voltage (V)	Frequency (Hz)	Power (W)	Current (A)	Speed (RPM)	Air Volume (m³/h)	Air Pressure (Pa)
LWGD108M-01	24DC	/	42	1.7	3700	191	597



Product Drawing (mm)



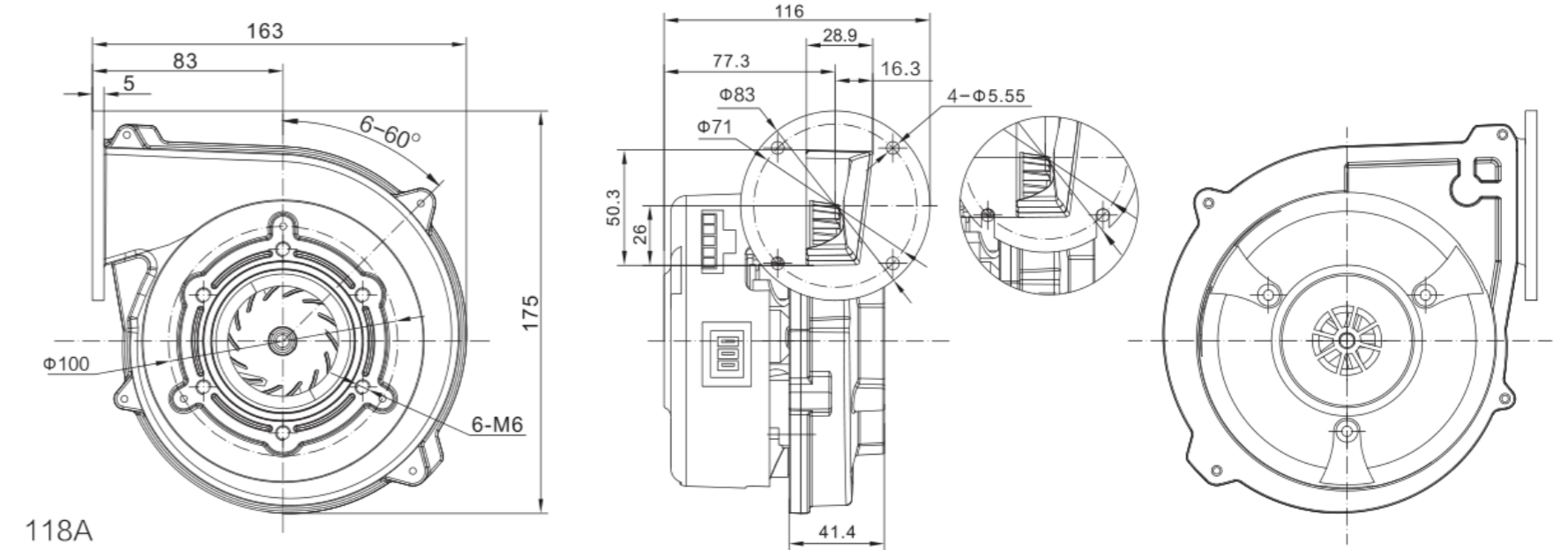
LWGD118 Series

Product Characteristic

- Protection class: IP20
- Impellers: Pplastic
- Insulation Class: Class F
- Housing: Aluminum
- Operating / Storing humidity: 0% to 95% RH
- Operating / Storing Temp: 0°C to + 70°C /-25°C to + 80°C
- Connection port: International standard terminal
- Bearings: Maintenance - free ball bearings
- Way to install: Shaft horizontal or motor mounted on top

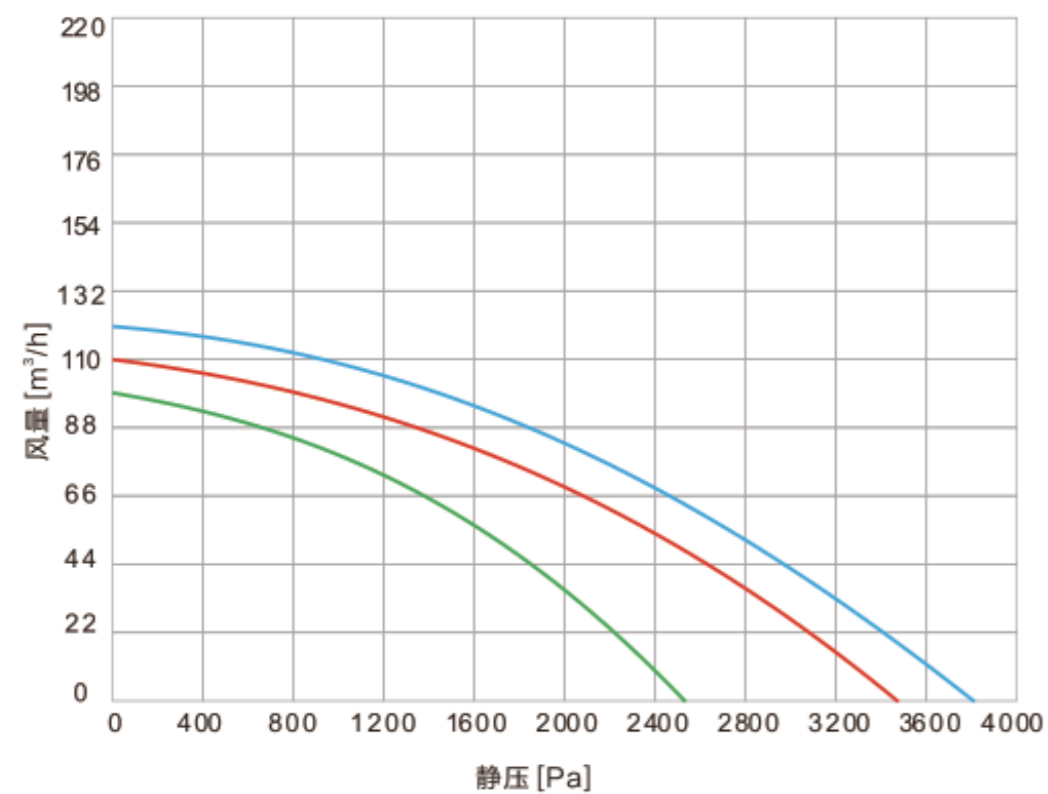


Product Drawing (mm)



Technical Specifications

Model	Voltage (V)	Frequency (Hz)	Input Power (W)	Speed (RPM)	Air Volume (m³/h)	Current (A)	Air Pressure (Pa)	Net Weight (kg)
LWGD118M-01	24	50/60	60	8000	95	2.5	2500	1



● 220V ● 110V ● 24V

LWGD130 Series (Premixed Blower)

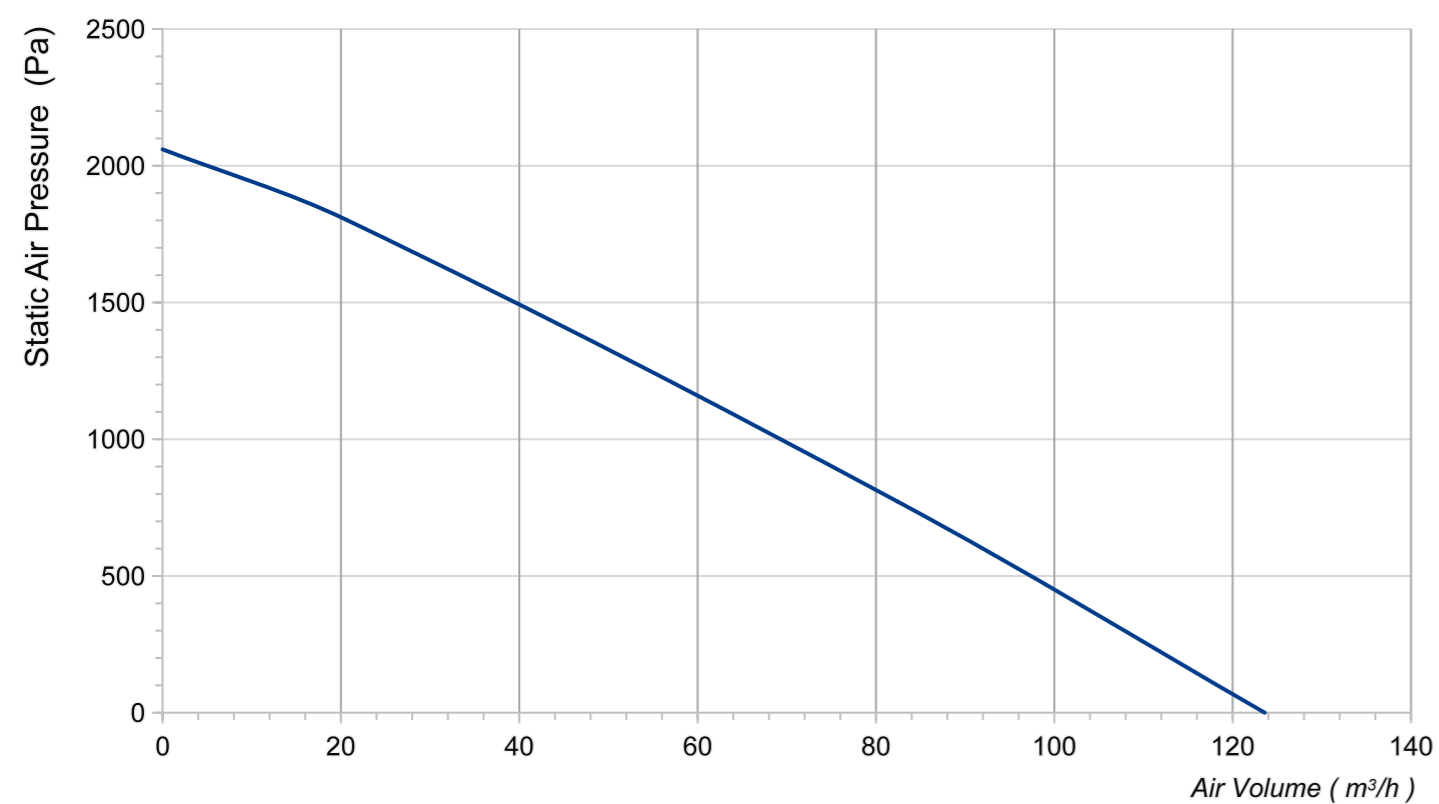
Product Characteristic

- Insulation class: F
- Die-cast aluminum housing
- Anti-spark plastic impeller
- PWM for speed control
- Motor anti-vibration mounted

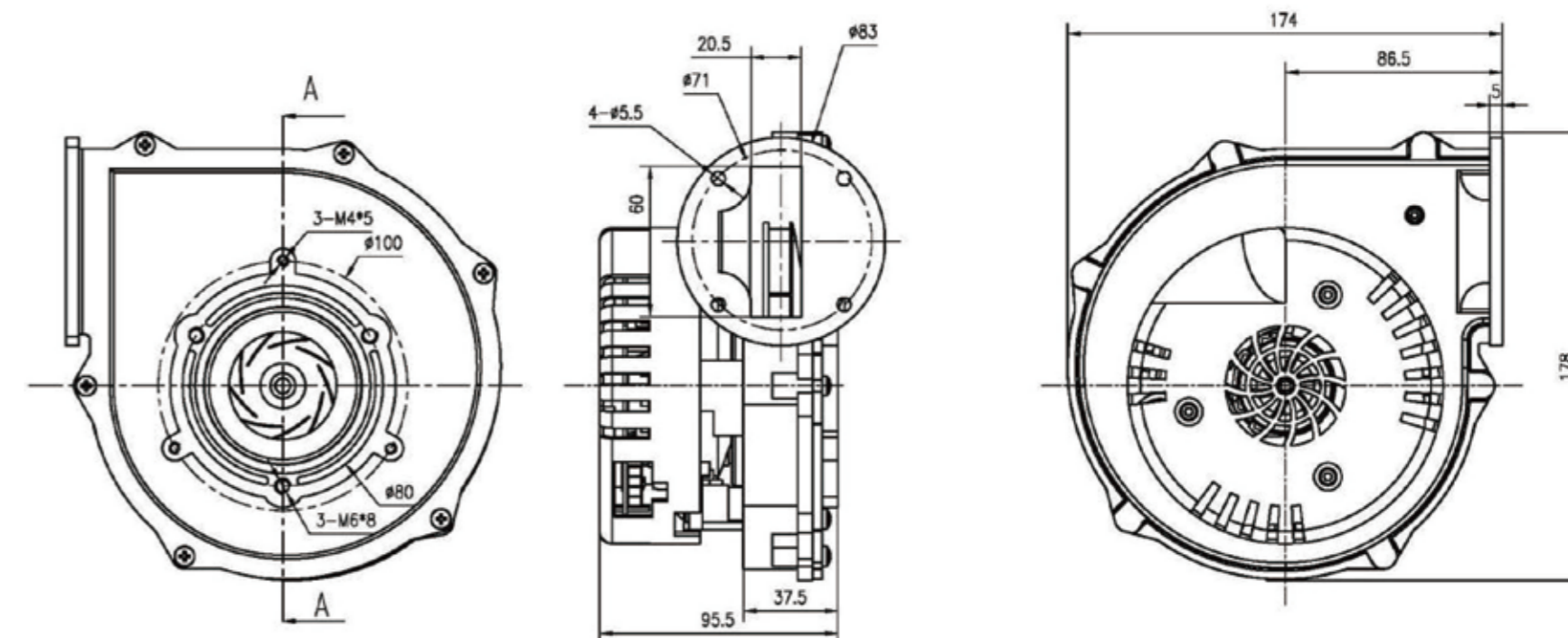


Technical Specifications

Model	Voltage (V)	Frequency (Hz)	Power (W)	Current (A)	Speed (RPM)	Air Volume (m³/h)	Air Pressure (Pa)
LWGD130M-01	24DC	/	48	2	8200	124	2060
LWGD130L-02	12DC	/	48	4	8200	124	2060



Product Drawing (mm)



LWGD150 Series (Exhaust Blower)

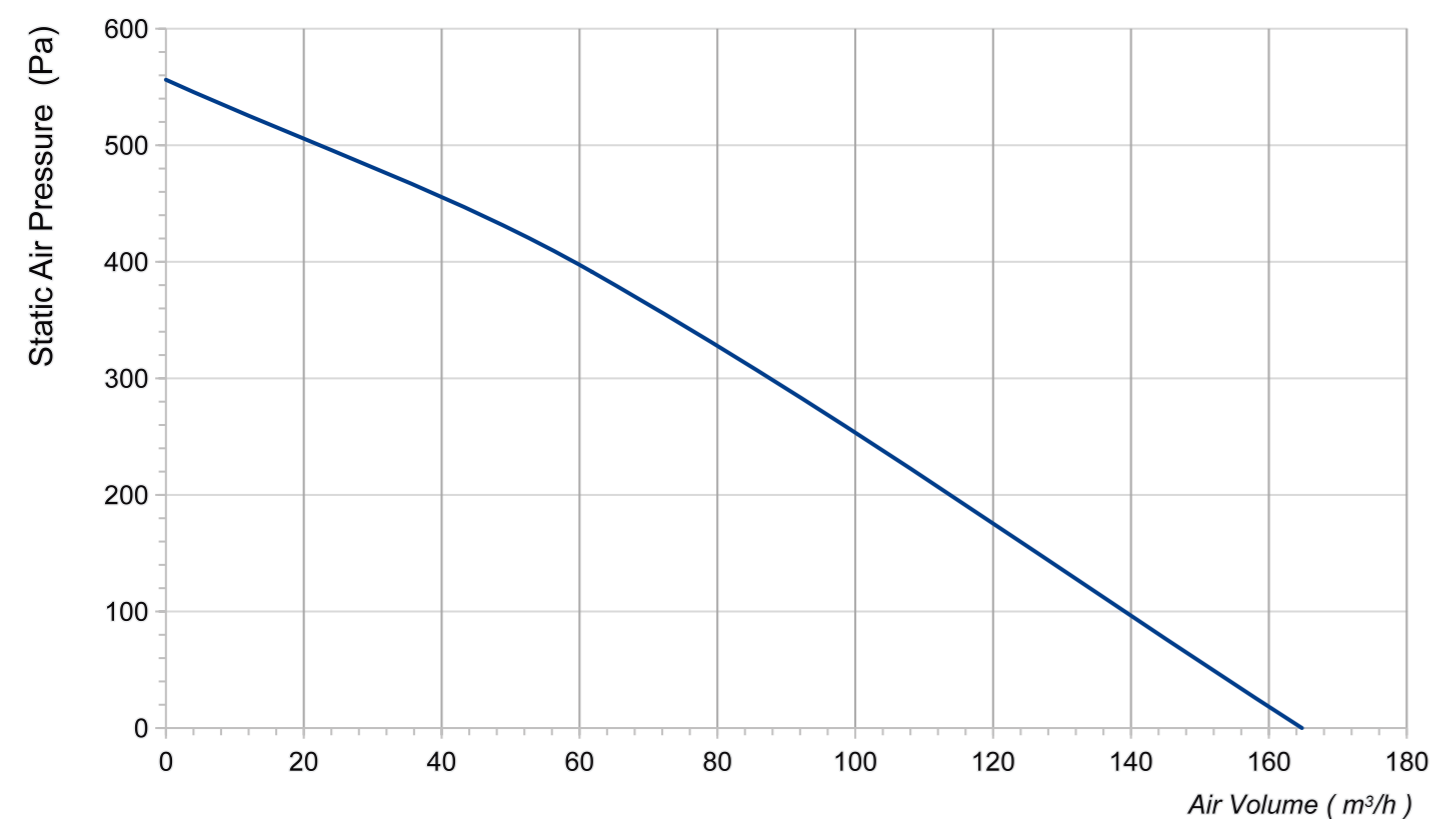
Product Characteristic

- Insulation class: F
- Housing & impeller: Aluminized sheet steel
- Flue temperature: ≤180 °C (continuous)
≤240 °C (instantaneous)
- Motor anti-vibration mounted
- Mounting position must be specified for corresponding support elements

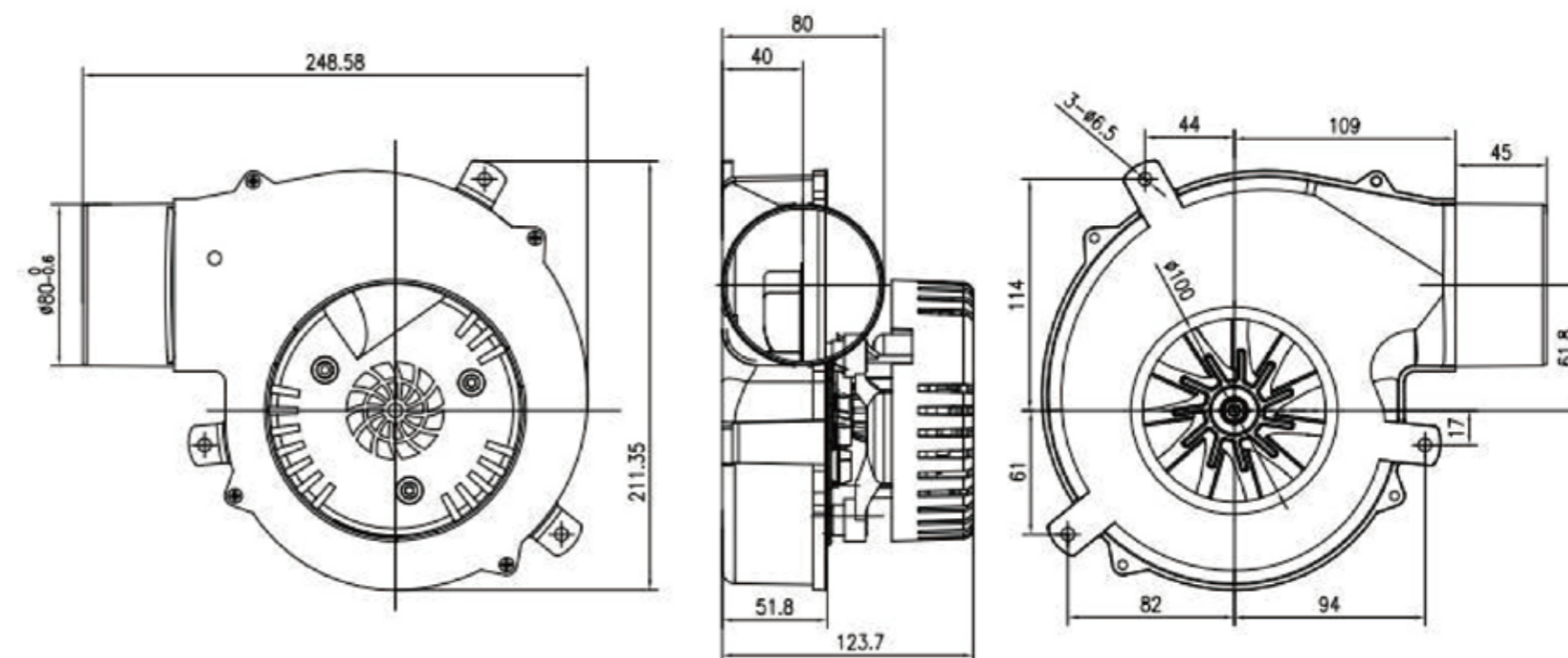


Technical Specifications

Model	Voltage (V)	Frequency (Hz)	Power (W)	Current (A)	Speed (RPM)	Air Volume (m³/h)	Air Pressure (Pa)
LWGD150L-01	12DC	/	42	3.52	4000	165	556
LWGD150M-02	24DC	/	41	1.7	4000	165	556

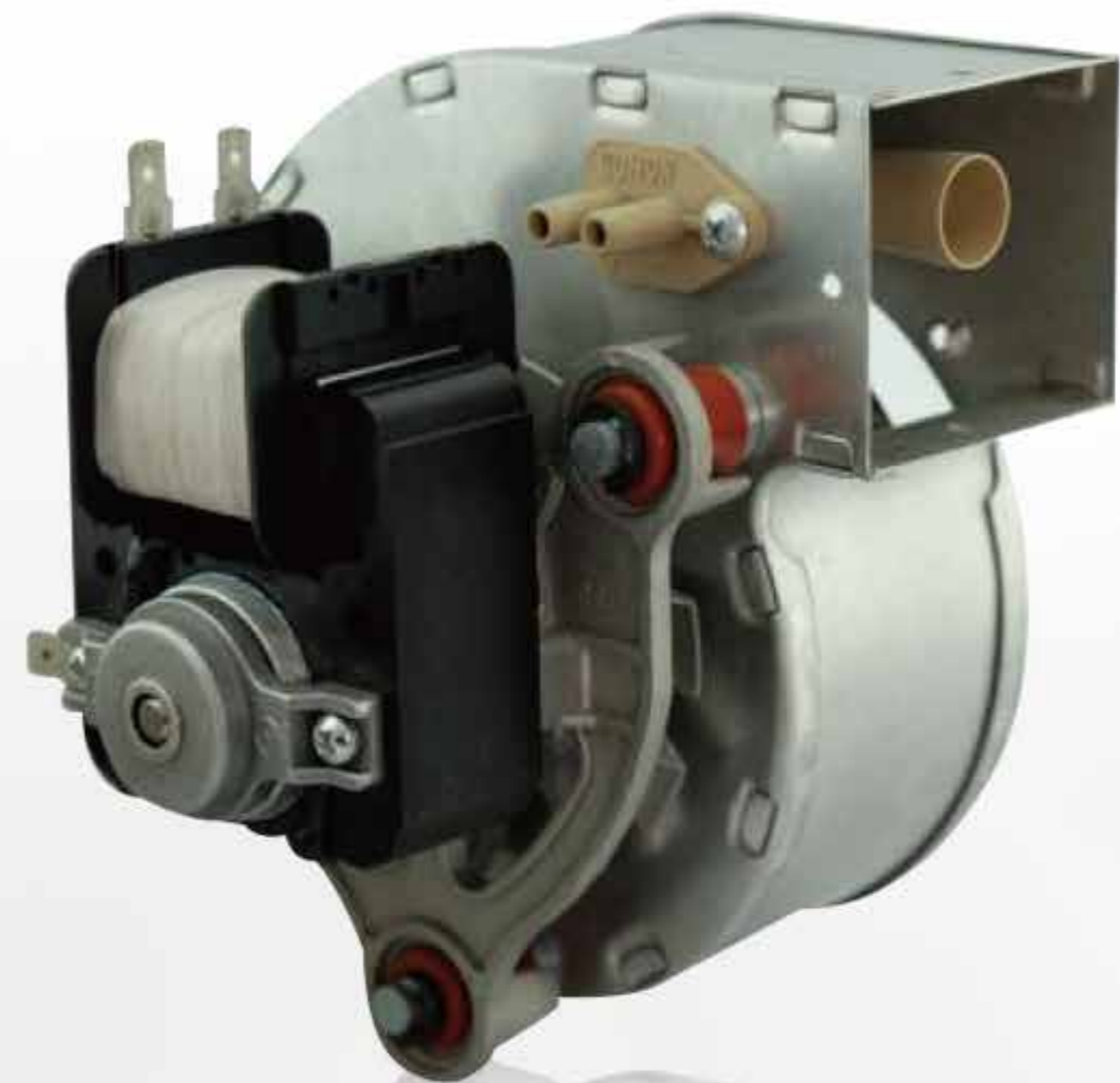


Product Drawing (mm)



AC Gas Blower

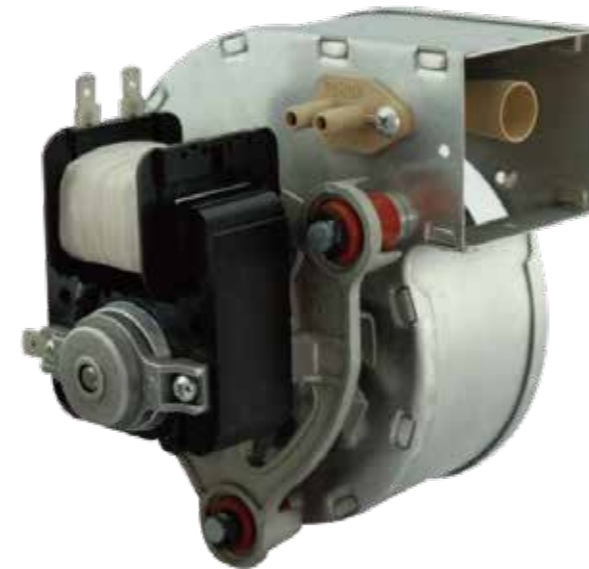
- Powerful airflow capabilities for effective gas movement and circulation
- Minimizes pressure drops and optimizes gas flow rates for enhanced productivity
- Advanced control systems for accurate gas flow adjustment and regulation
- Enables fine-tuning of gas processes and ensures consistency in gas handling operations
- Built-in safety features to prevent gas leaks and maintain operational integrity



LWGA085 Series

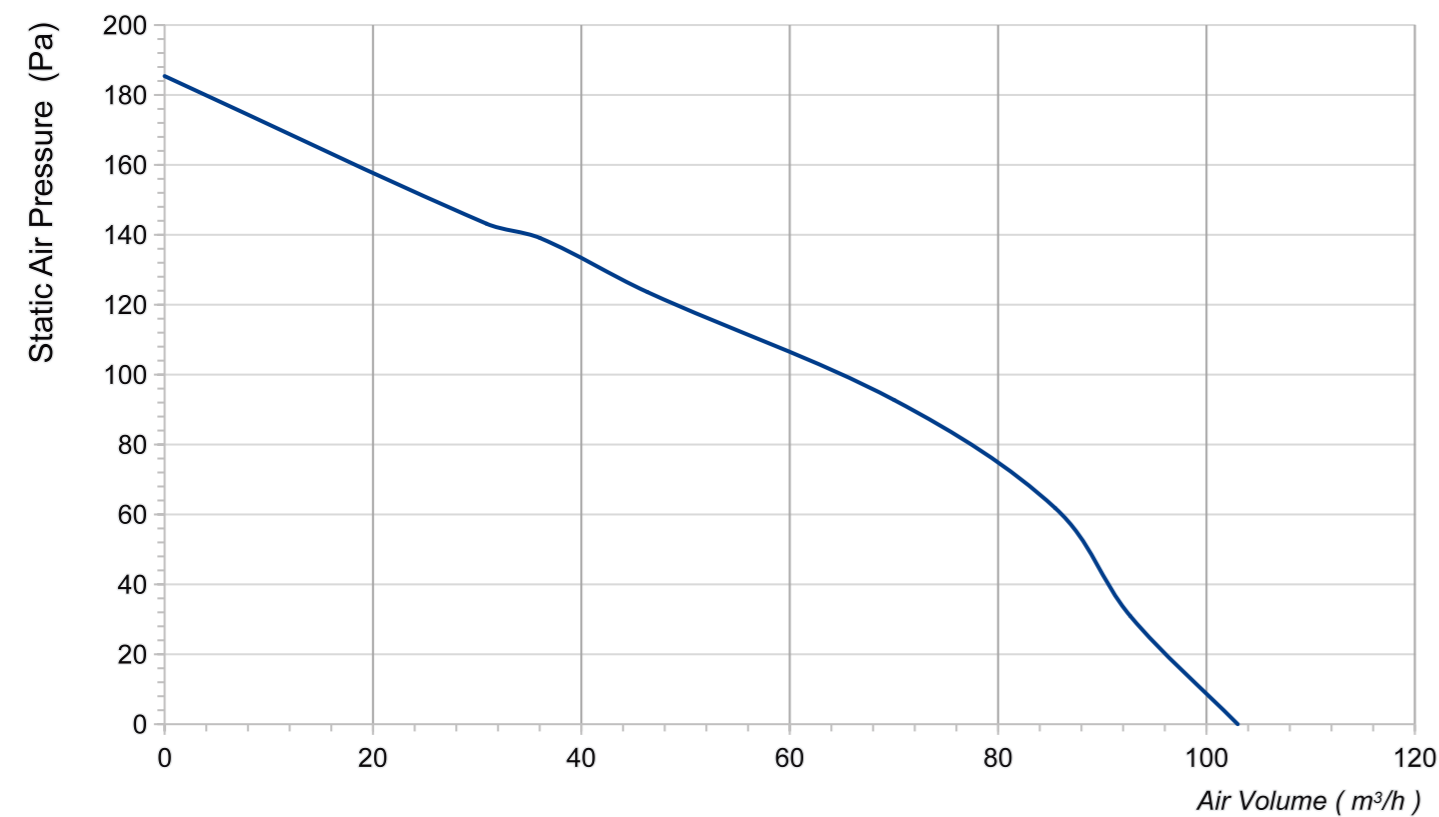
Product Characteristic

- Insulation class: H
- Housing & impeller: Aluminized sheet steel
- Flue temperature: ≤180 C (continuous)
≤240 C (instantaneous)
- Motor anti-vibration mounted
- Mounting position must be specified for corresponding support elements

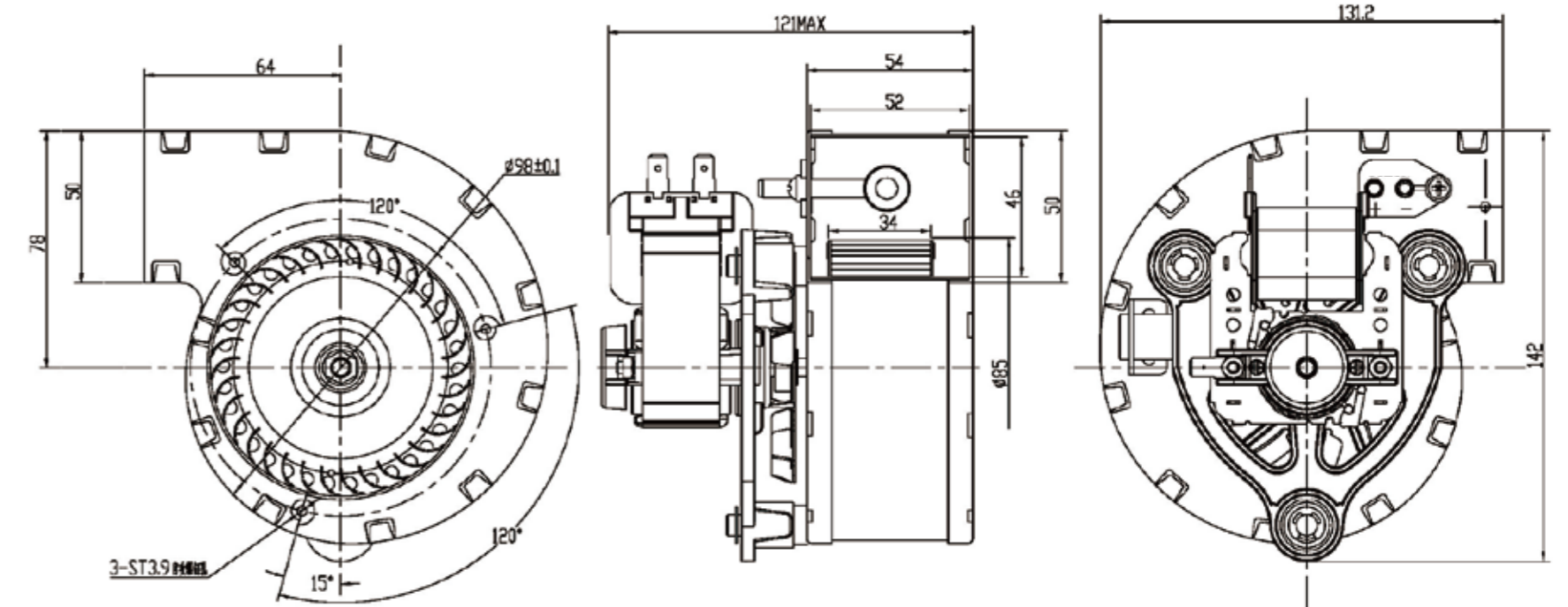


Technical Specifications

Model	Voltage (V)	Frequency (Hz)	Power (W)	Current (A)	Speed (RPM)	Air Volume (m³/h)	Air Pressure (Pa)
LWGA085S-01	220	50	35	0.32	2500	103	185



Product Drawing (mm)



LWGA085 Series

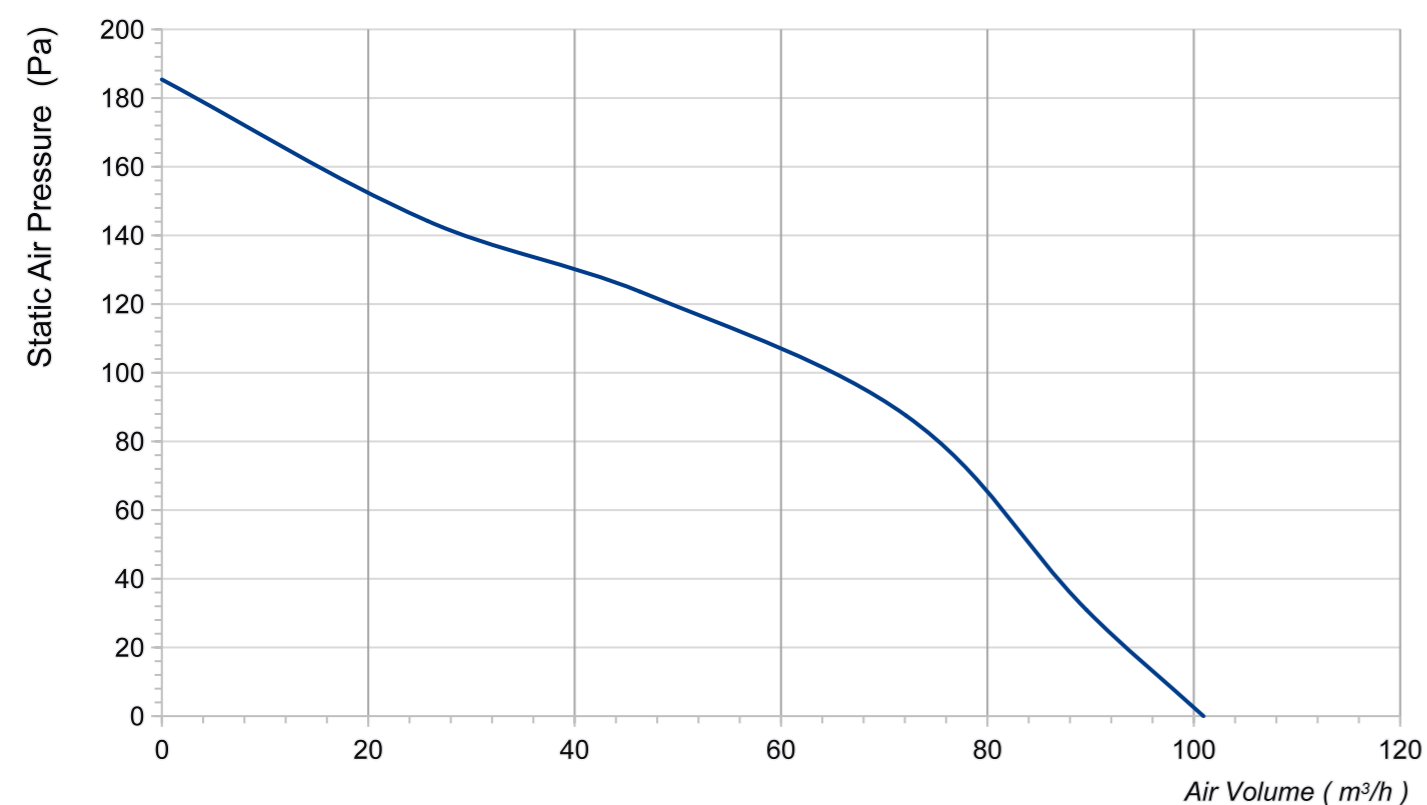
Product Characteristic

- Insulation class: H
- Housing & impeller: Aluminized sheet steel
- Flue temperature: ≤180 °C (continuous)
≤240 °C (instantaneous)
- Motor anti-vibration mounted
- Mounting position must be specified for corresponding support elements

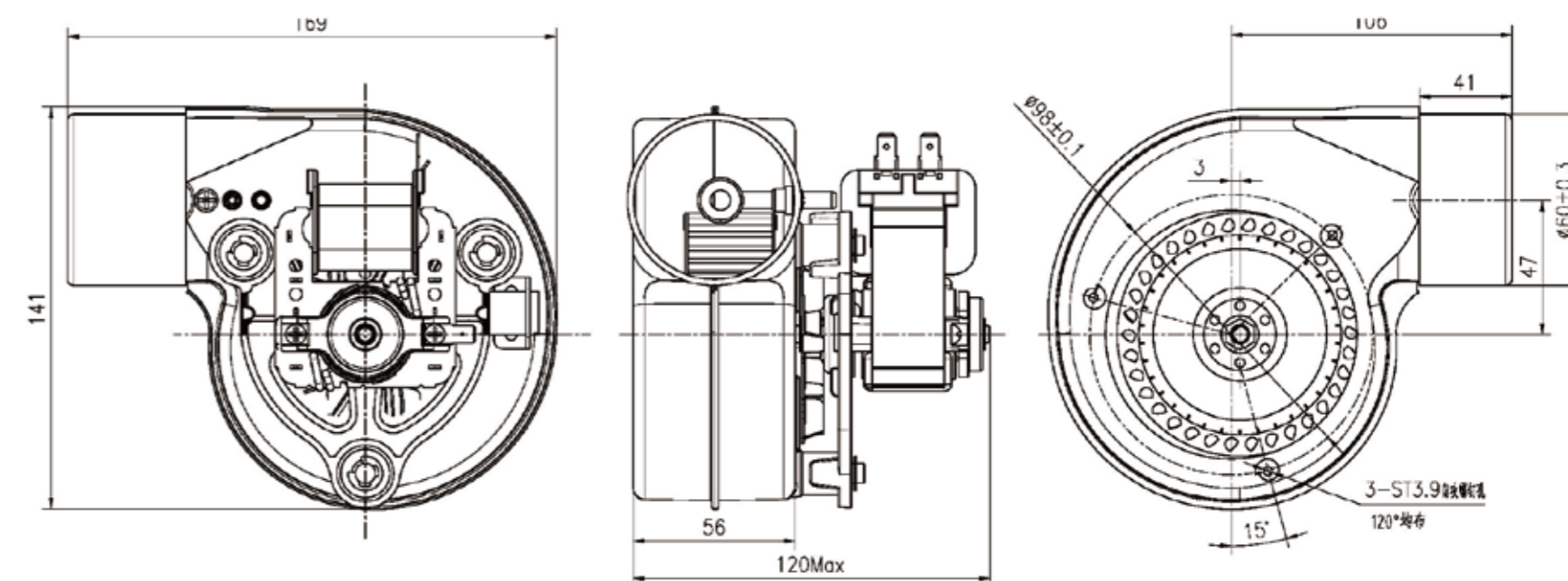


Technical Specifications

Model	Voltage (V)	Frequency (Hz)	Power (W)	Current (A)	Speed (RPM)	Air Volume (m³/h)	Air Pressure (Pa)
LWGA085S-02	220	50	30	0.3	2350	101	185



Product Drawing (mm)



LWGA085 Series (Centrifugal Blower)

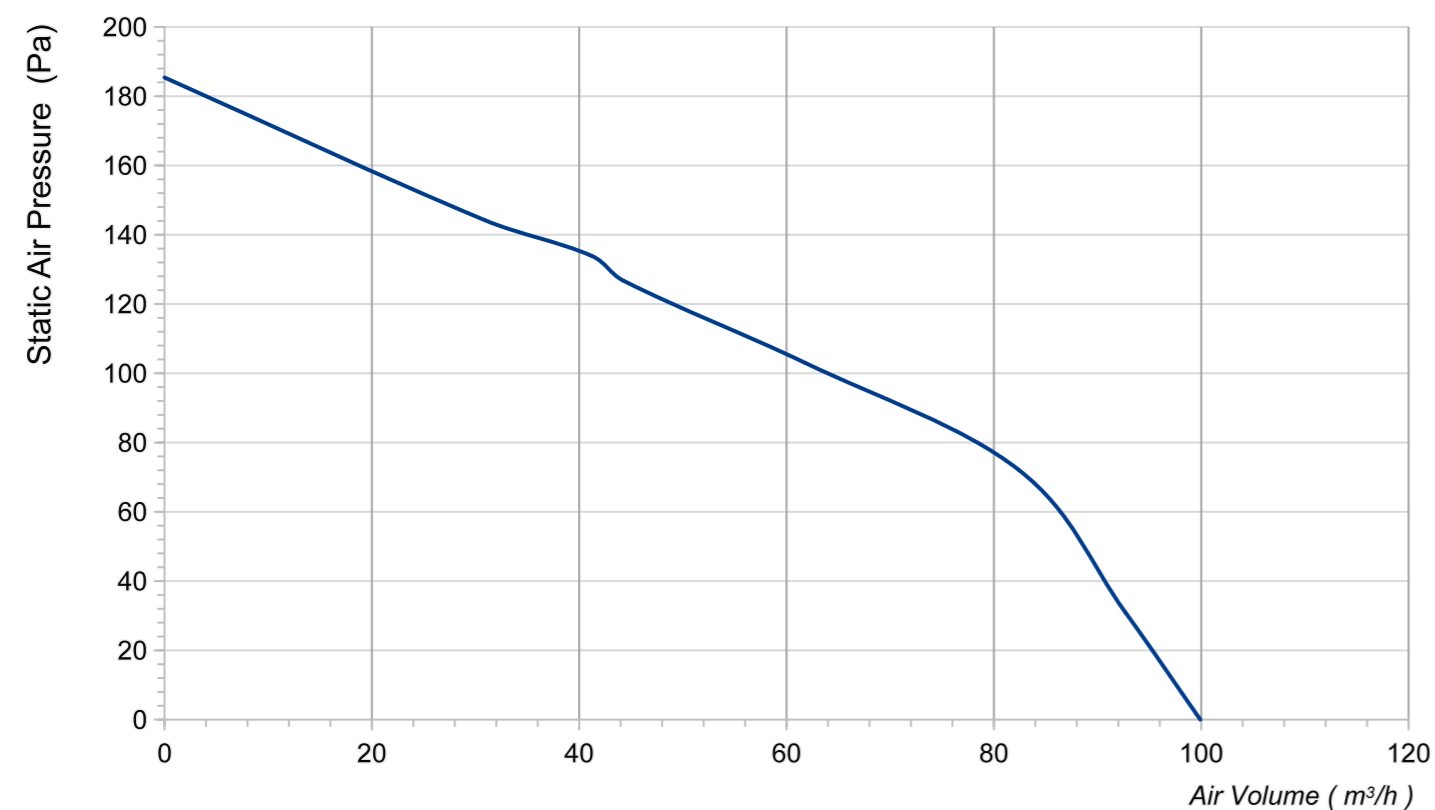
Product Characteristic

- Insulation class: F
- Both of ball bearings
- Long life
- Housing : Black painting
- Motor anti-vibration mounted

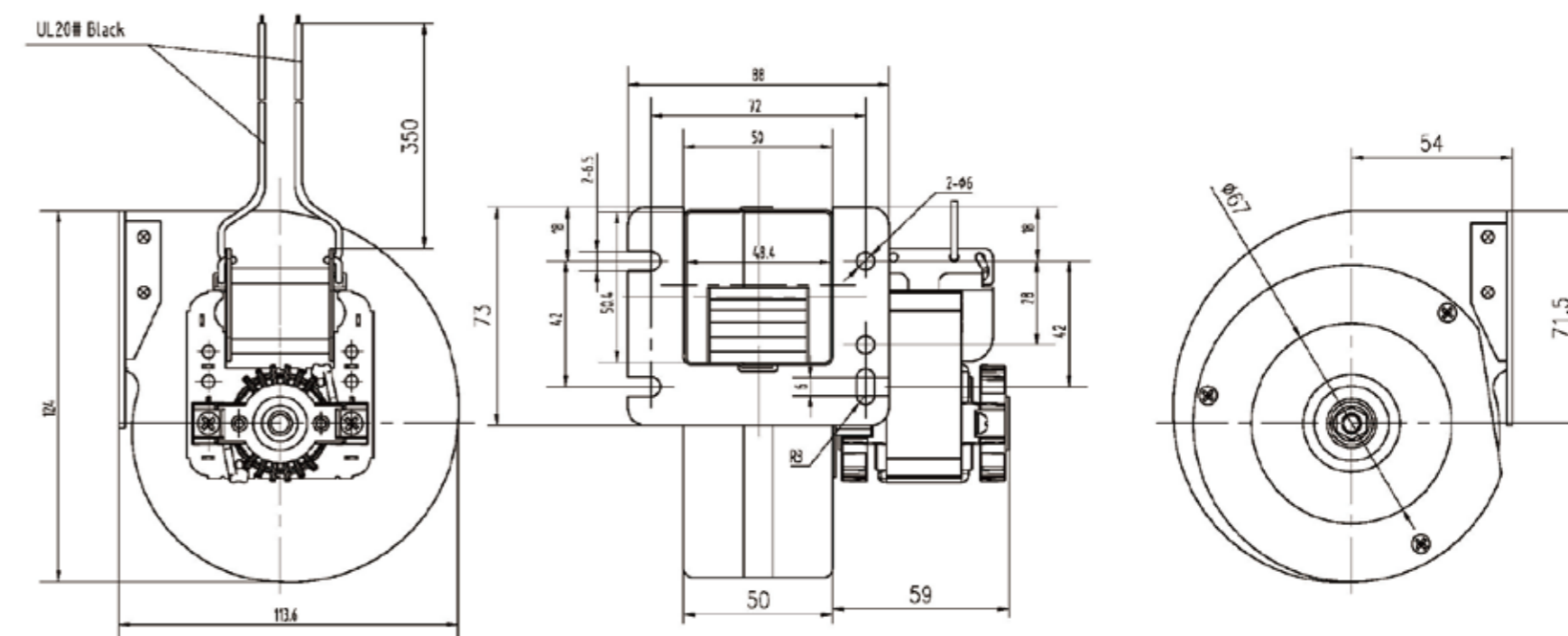


Technical Specifications

Model	Voltage (V)	Frequency (Hz)	Power (W)	Current (A)	Speed (RPM)	Air Volume (m³/h)	Air Pressure (Pa)
LWGA085S-03	220	50	34	0.3	2500	100	185



Product Drawing (mm)



LWGA097 Series

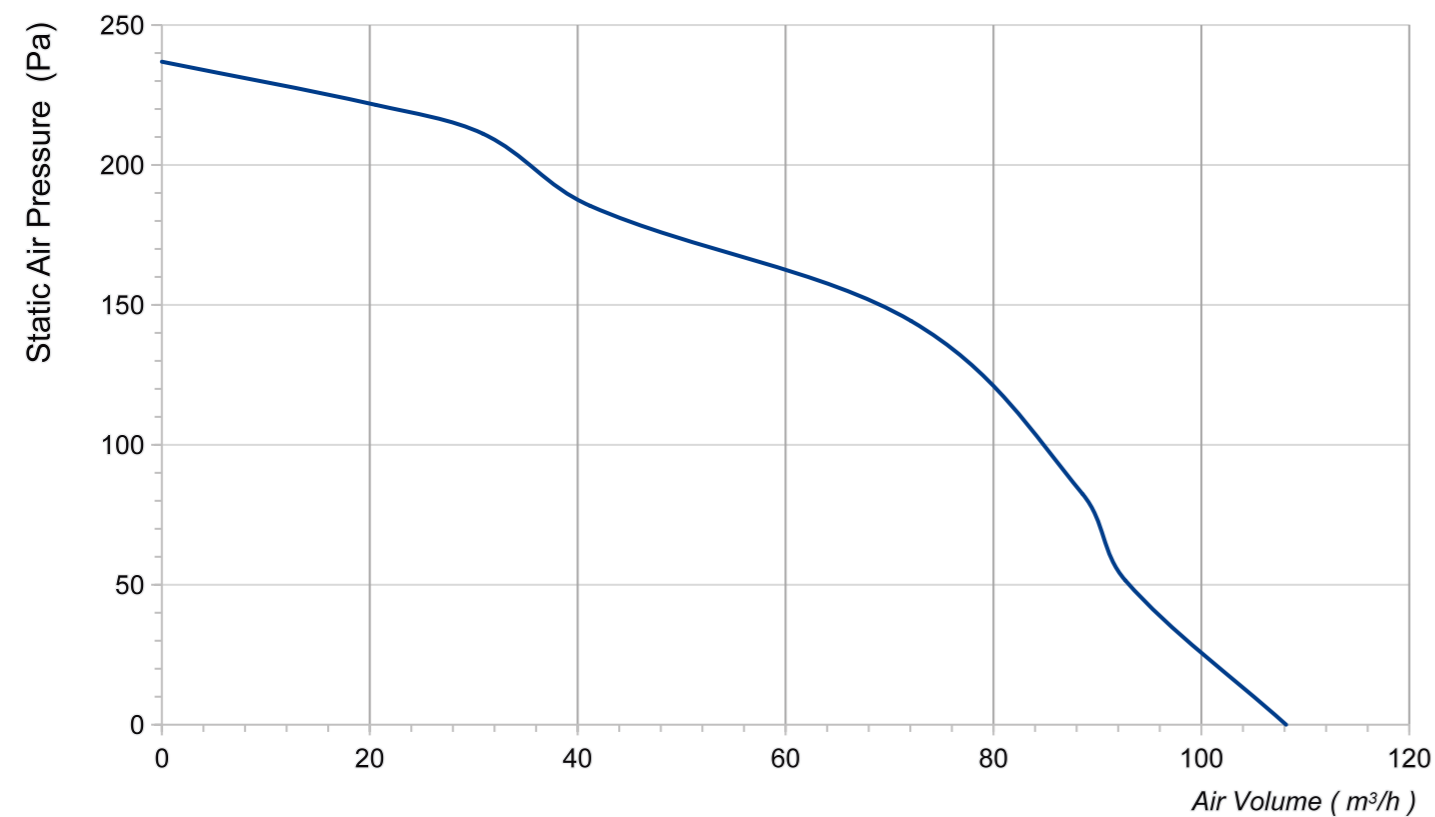
Product Characteristic

- Insulation class: H
- Housing & impeller: Aluminized sheet steel
- Flue temperature: ≤180 °C (continuous)
≤240 °C (instantaneous)
- Motor anti-vibration mounted
- Mounting position must be specified for corresponding support elements

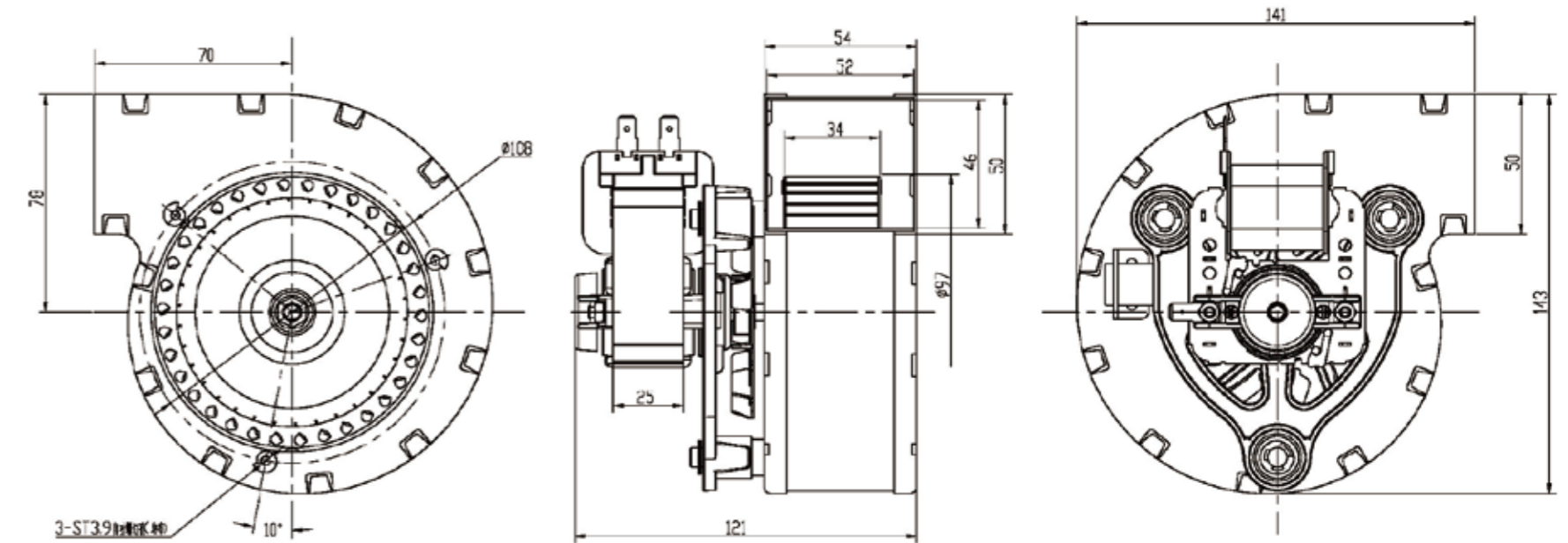


Technical Specifications

Model	Voltage (V)	Frequency (Hz)	Power (W)	Current (A)	Speed (RPM)	Air Volume (m³/h)	Air Pressure (Pa)
LWGA097S-01	220	50	32	0.28	2100	108	237



Product Drawing (mm)



LWGA097 Series

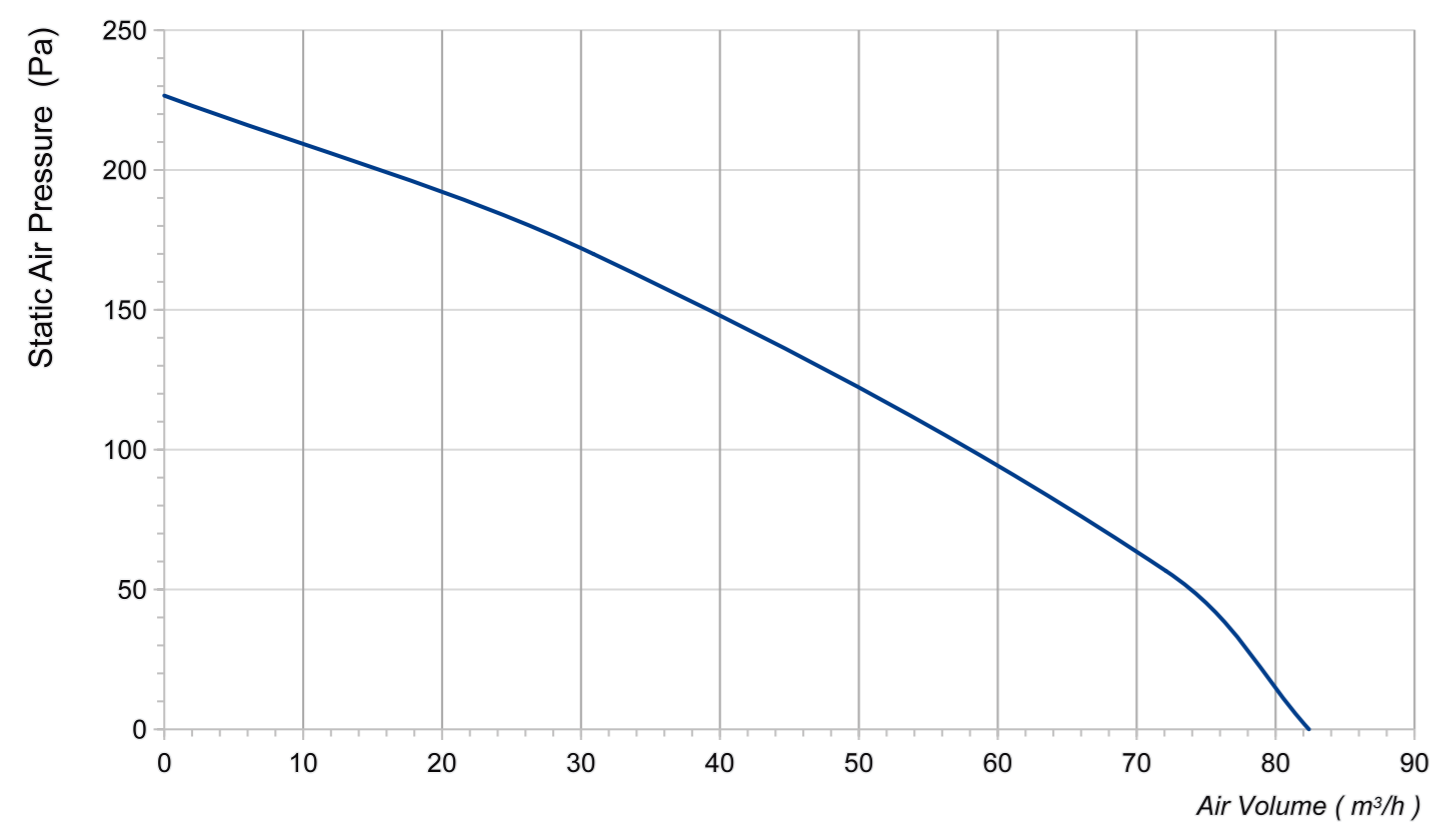
Product Characteristic

- Insulation class: H
- Housing & impeller: Aluminized sheet steel
- Flue temperature: $\leq 180^{\circ}\text{C}$ (continuous)
 $\leq 240^{\circ}\text{C}$ (instantaneous)
- Motor anti-vibration mounted
- Mounting position must be specified for corresponding support elements

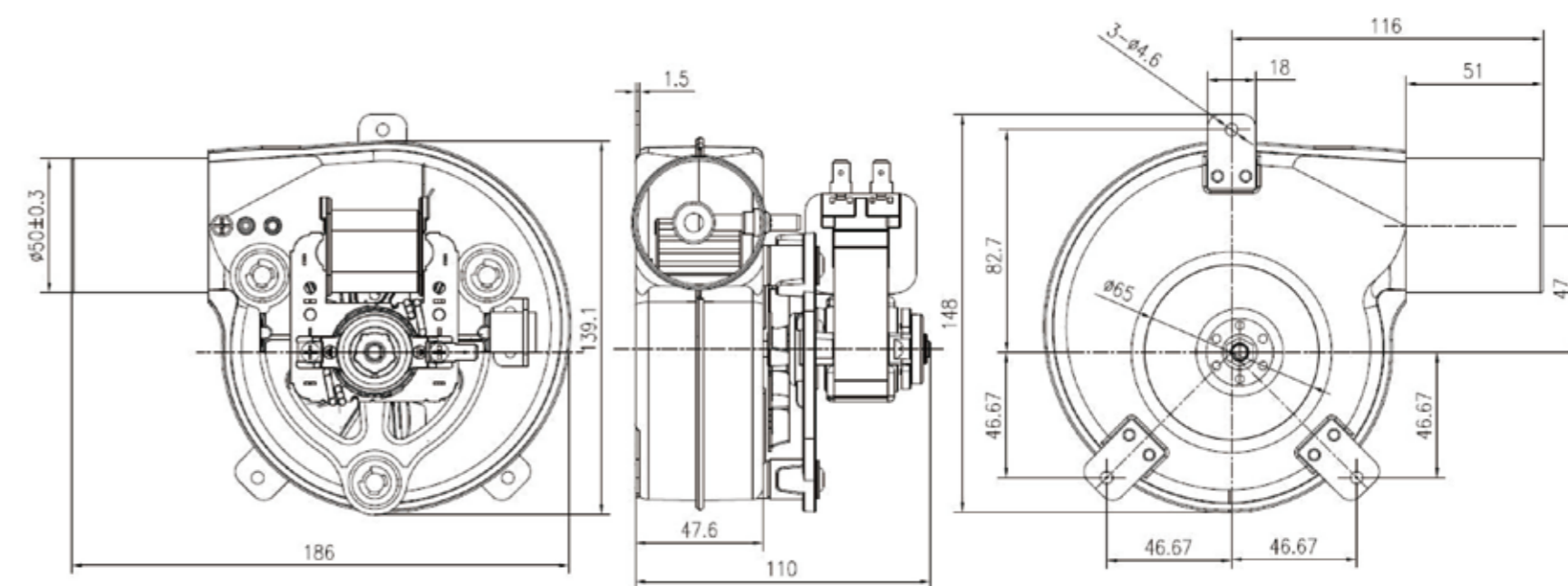


Technical Specifications

Model	Voltage (V)	Frequency (Hz)	Power (W)	Current (A)	Speed (RPM)	Air Volume (m³/h)	Air Pressure (Pa)
LWGA097S-03	220	50	32	0.32	2200	82	227



Product Drawing (mm)



LWGA097 Series

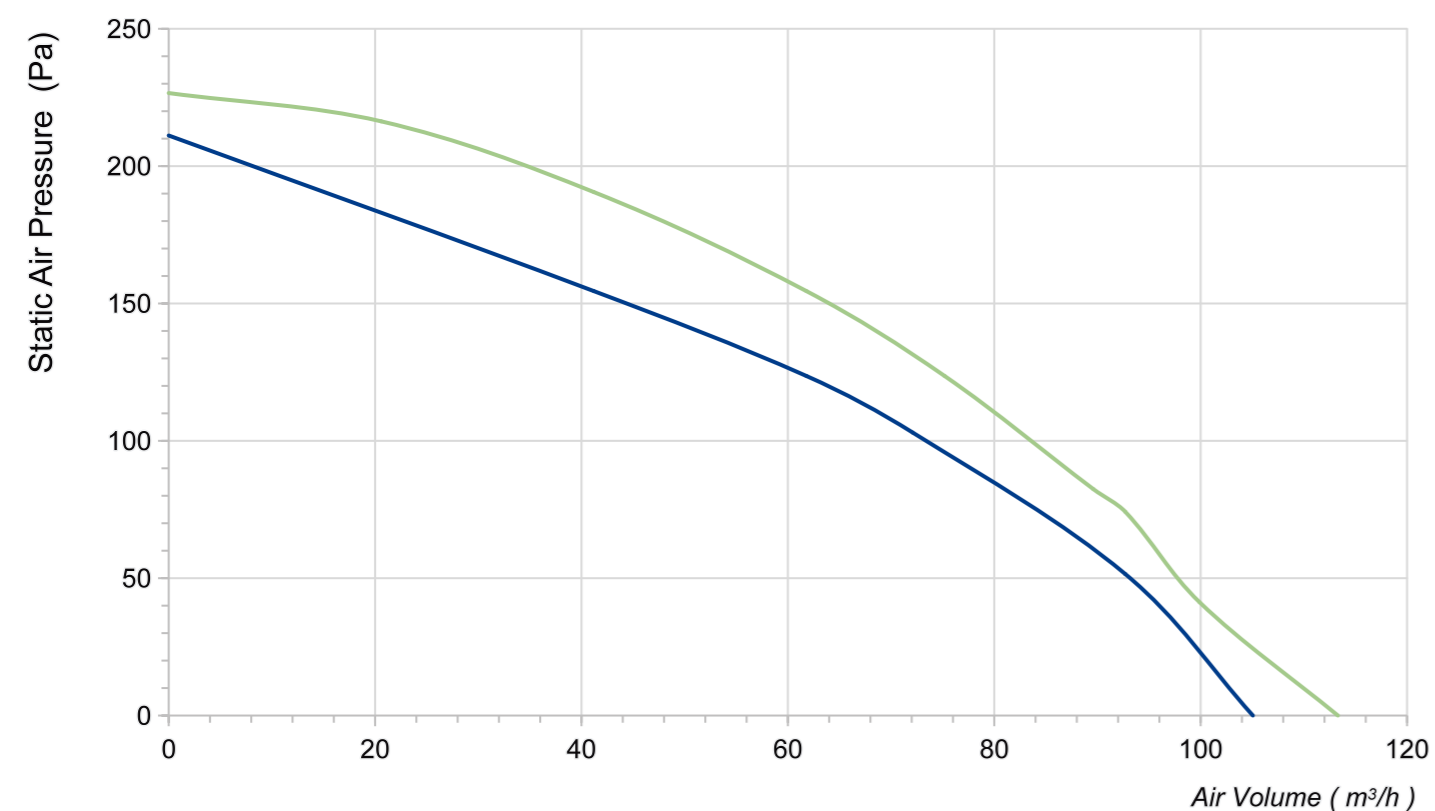
Product Characteristic

- Insulation class: H
- Housing & impeller: Aluminized sheet steel
- Flue temperature: ≤180°C (continuous)
≤240°C (instantaneous)
- Motor anti-vibration mounted
- Mounting position must be specified for corresponding support elements

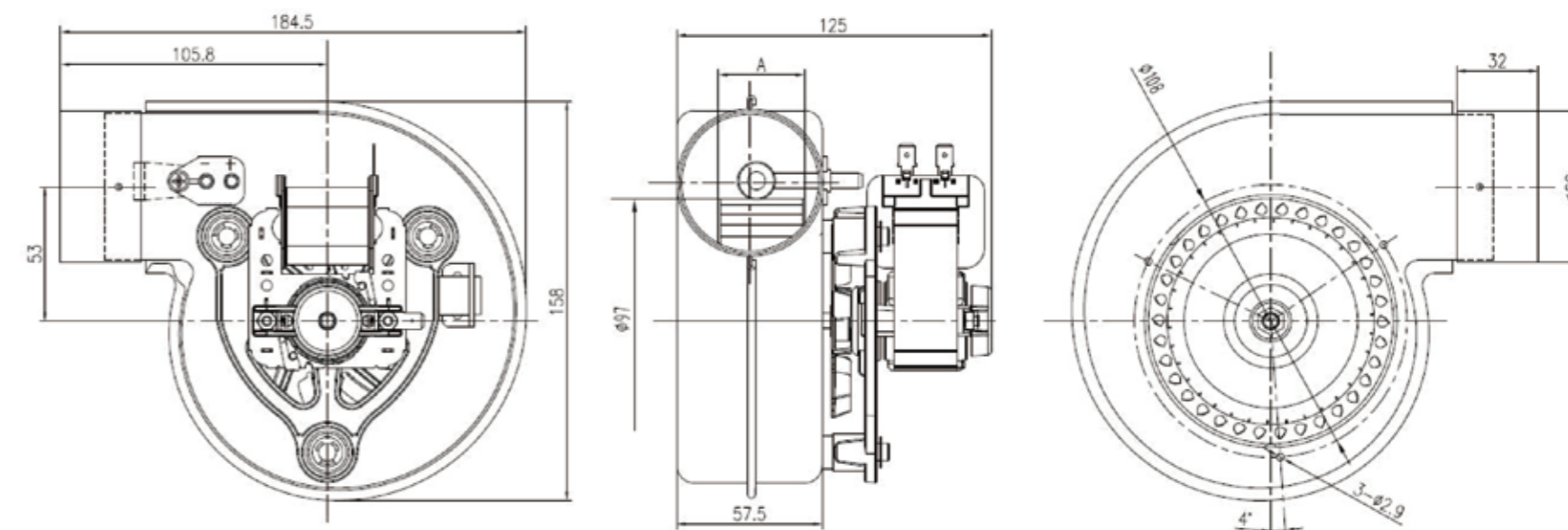


Technical Specifications

Model	Voltage (V)	Frequency (Hz)	Power (W)	Current (A)	Speed (RPM)	Air Volume (m³/h)	Air Pressure (Pa)	Diameter A (mm)
LWGA097S-04	220	50	35	0.29	2170	105	211	34
LWGA097S-05	220	50	35	0.3	2000	113	227	42



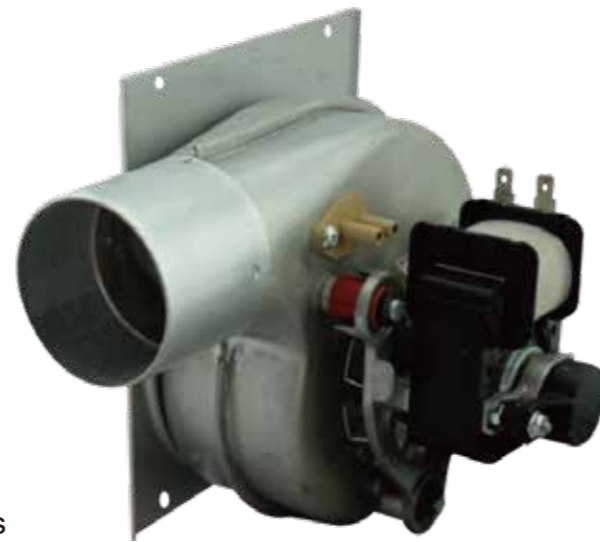
Product Drawing (mm)



LWGA097 Series

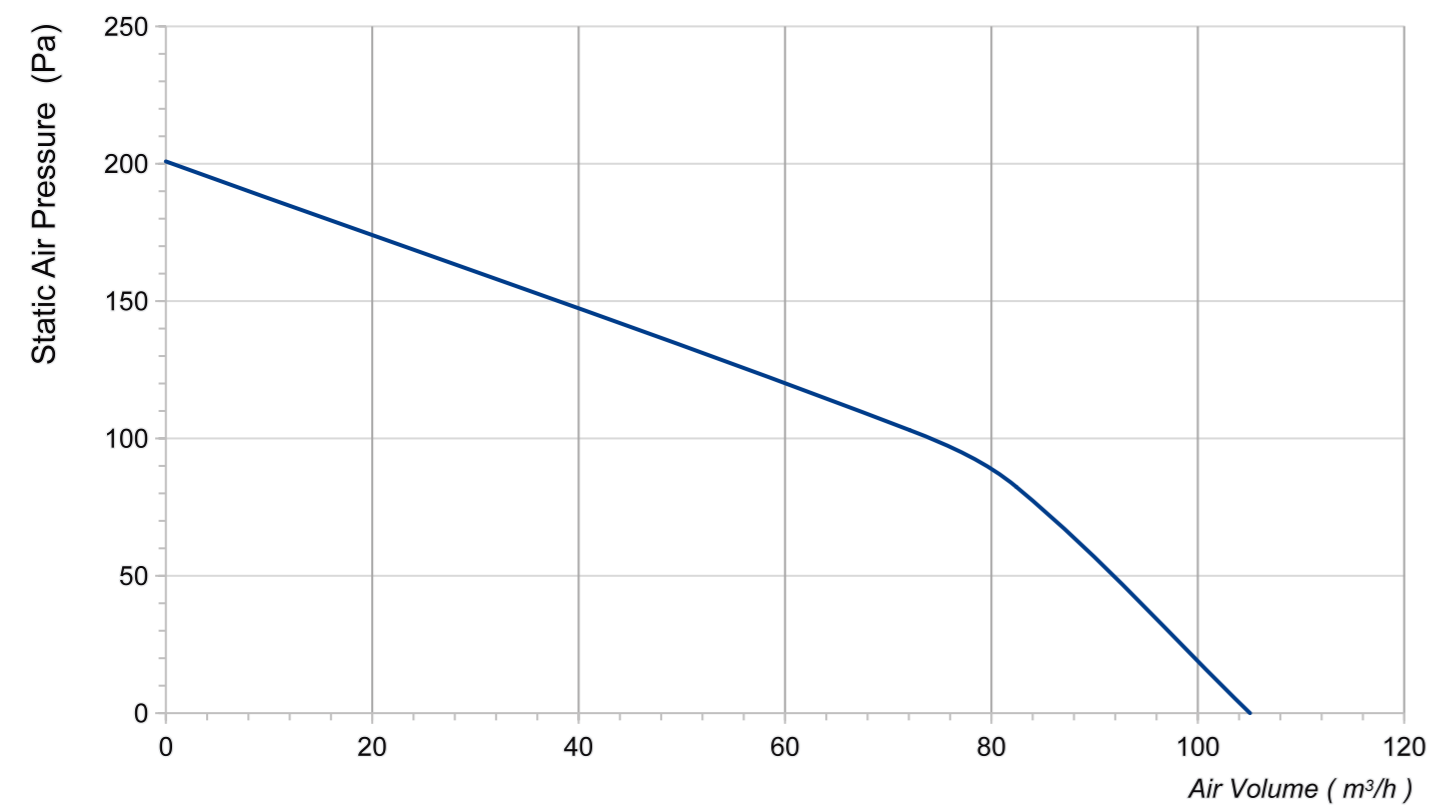
Product Characteristic

- Insulation class: H
- Housing & impeller: Aluminized sheet steel
- Flue temperature: ≤180 °C (continuous)
≤240 °C (instantaneous)
- Motor anti-vibration mounted/With speed encoder
- Mounting position must be specified for corresponding support elements

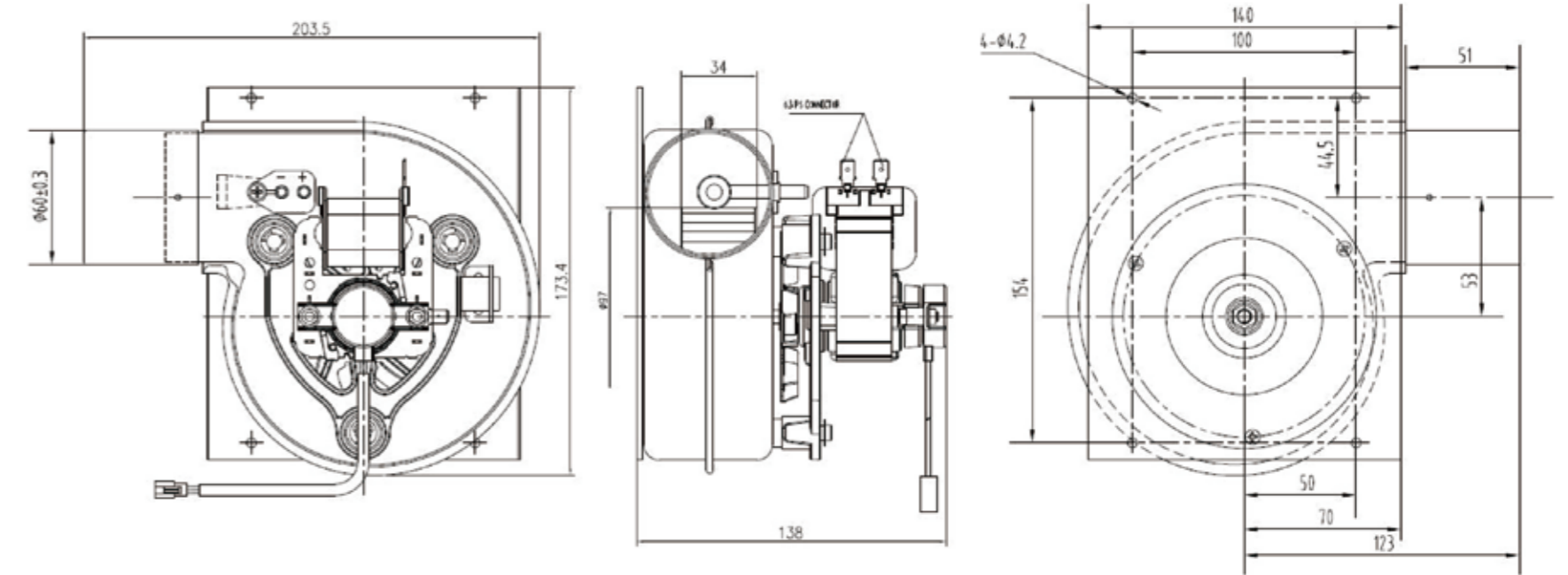


Technical Specifications

Model	Voltage (V)	Frequency (Hz)	Power (W)	Current (A)	Speed (RPM)	Air Volume (m³/h)	Air Pressure (Pa)
LWGA097S-06	220	50	35	0.3	1850	105	201



Product Drawing (mm)



LWGA097/108 Series

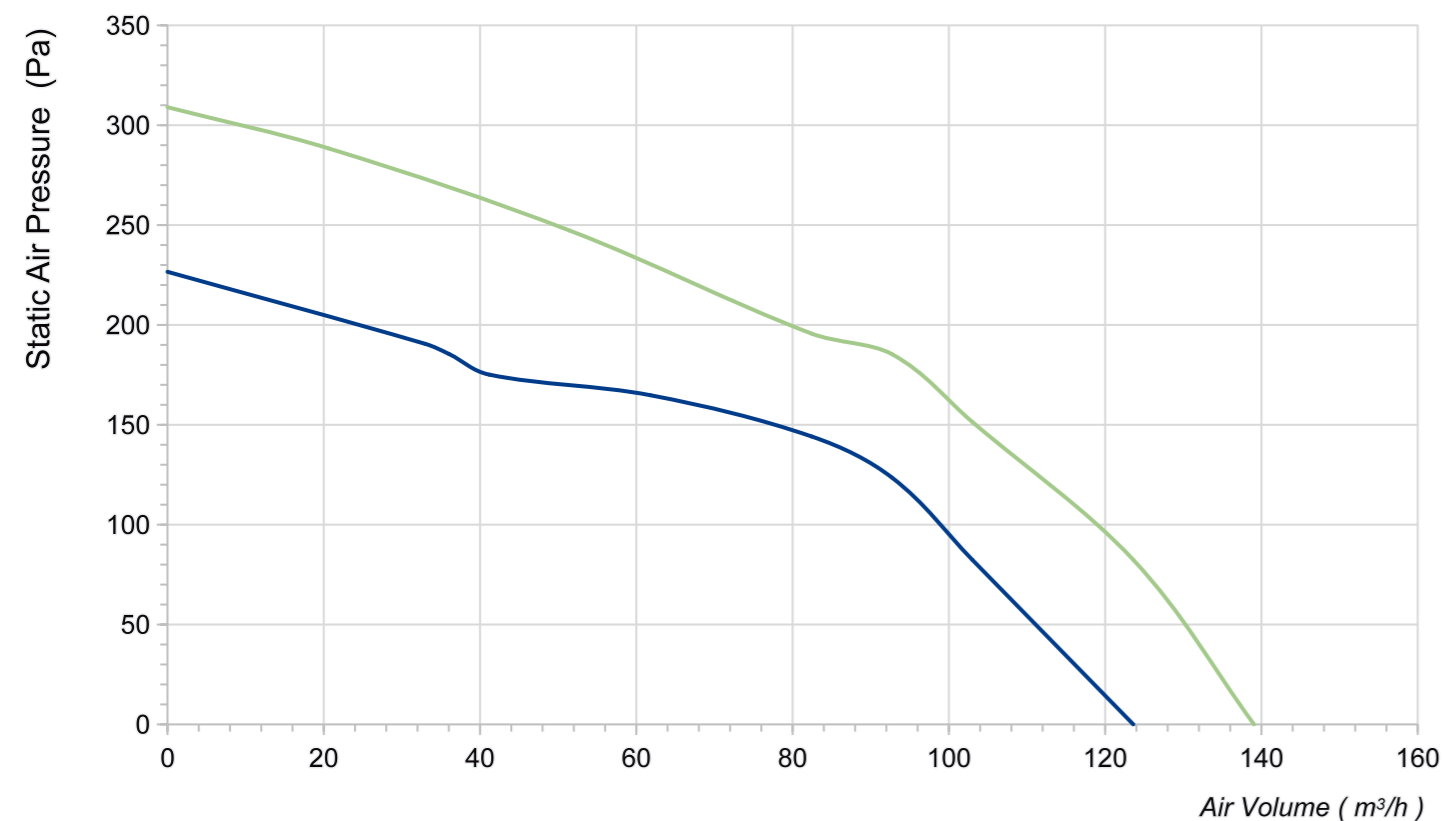
Product Characteristic

- Insulation class: H
- Housing & impeller: Aluminized sheet steel
- Flue temperature: ≤180 °C (continuous)
≤240 °C (instantaneous)
- Motor anti-vibration mounted
- Mounting position must be specified for corresponding support elements

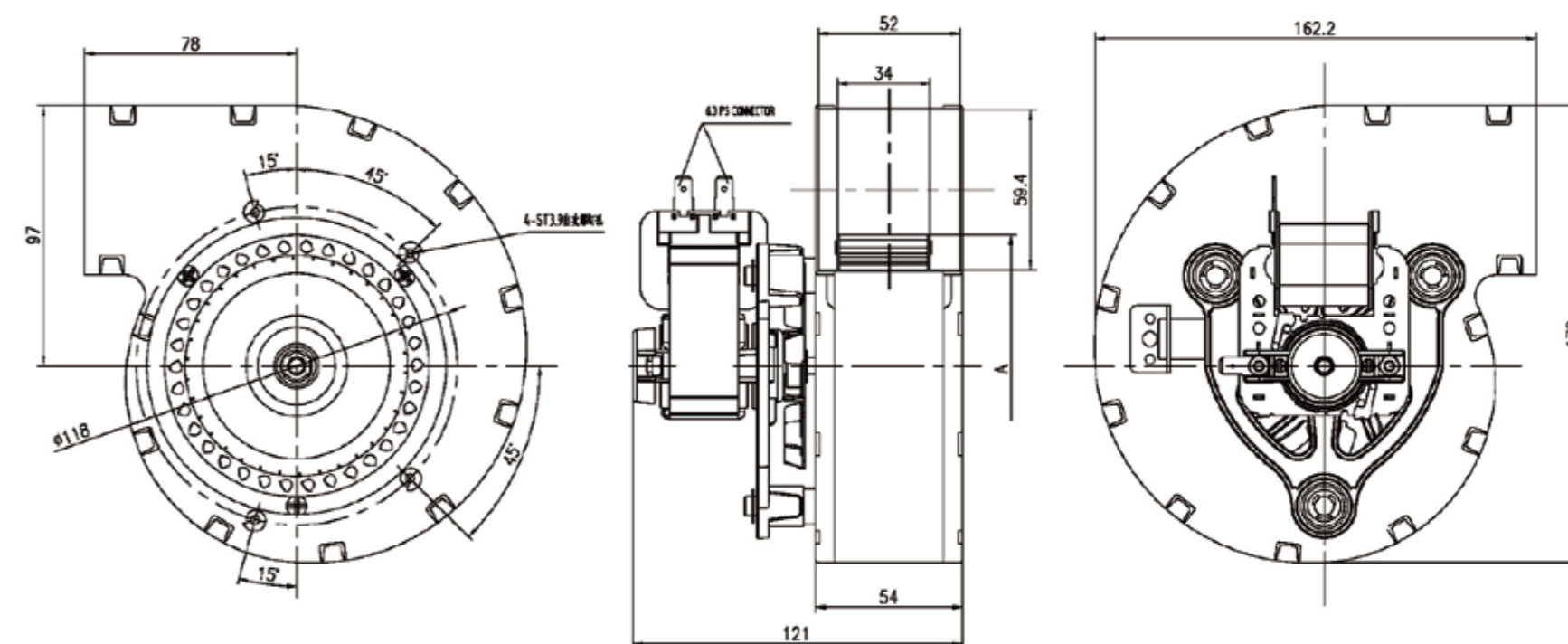


Technical Specifications

Model	Voltage (V)	Frequency (Hz)	Power (W)	Current (A)	Speed (RPM)	Air Volume (m³/h)	Air Pressure (Pa)	Diameter A (mm)
LWGA097S-02	220	50	35	0.3	2000	124	227	97
LWGA108S-01	220	50	47	0.43	2000	139	309	108



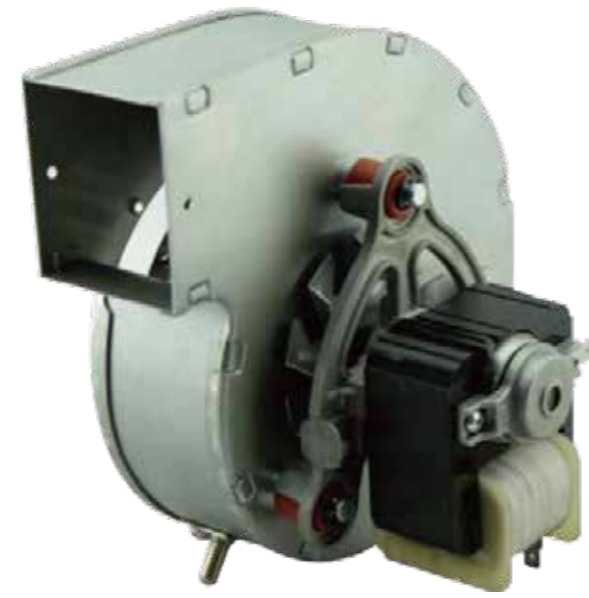
Product Drawing (mm)



LWGA108 Series

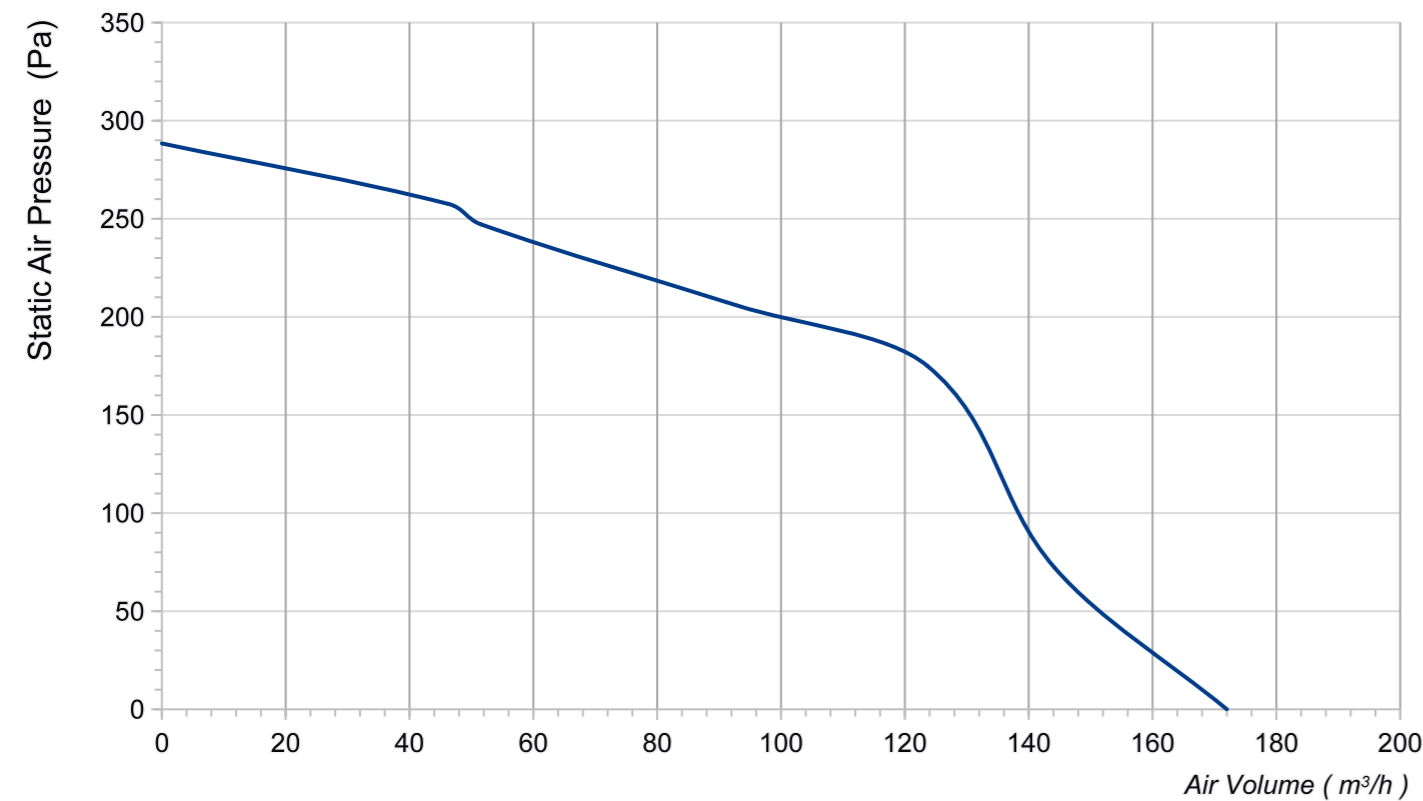
Product Characteristic

- Insulation class: H
- Housing & impeller: Aluminized sheet steel
- Flue temperature: ≤180°C (continuous)
≤240°C (instantaneous)
- Motor anti-vibration mounted

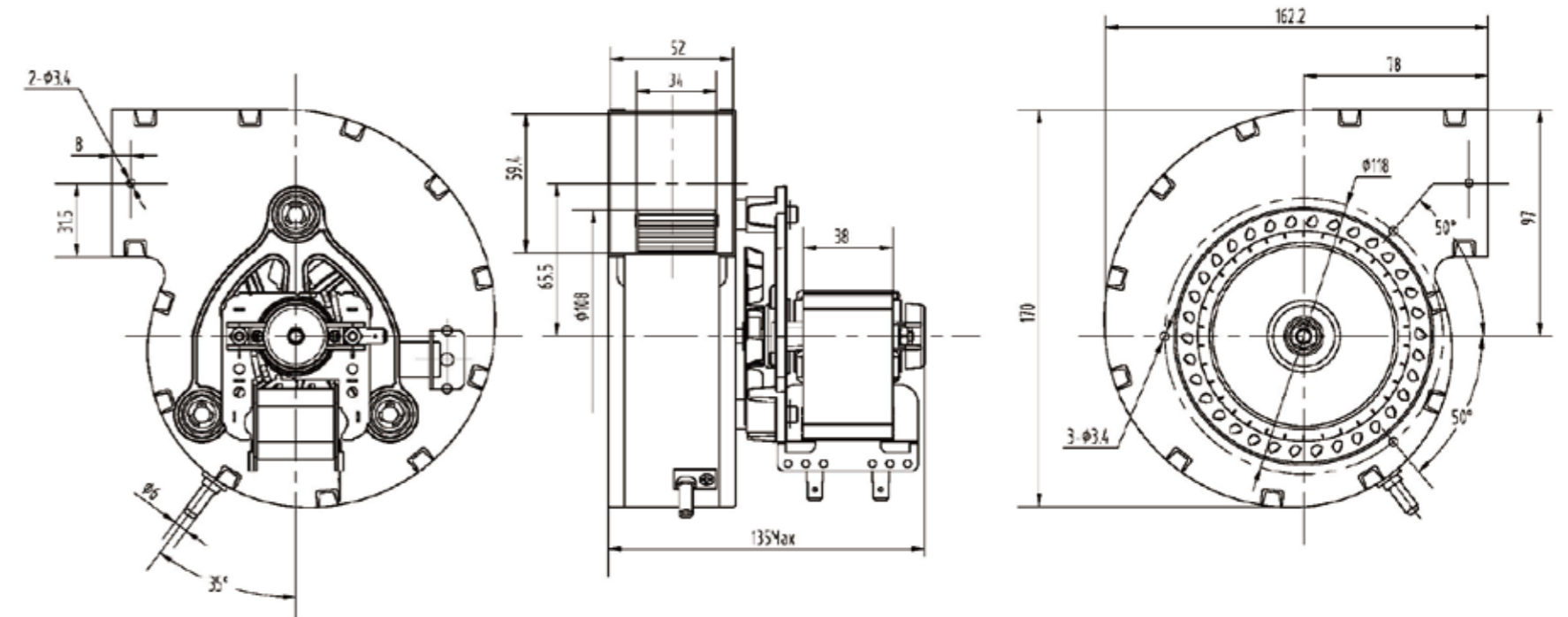


Technical Specifications

Model	Voltage (V)	Frequency (Hz)	Power (W)	Current (A)	Speed (RPM)	Air Volume (m³/h)	Air Pressure (Pa)
LWGA108S-02	230	50	60	0.48	2300	172	288



Product Drawing (mm)



LWGA108 Series

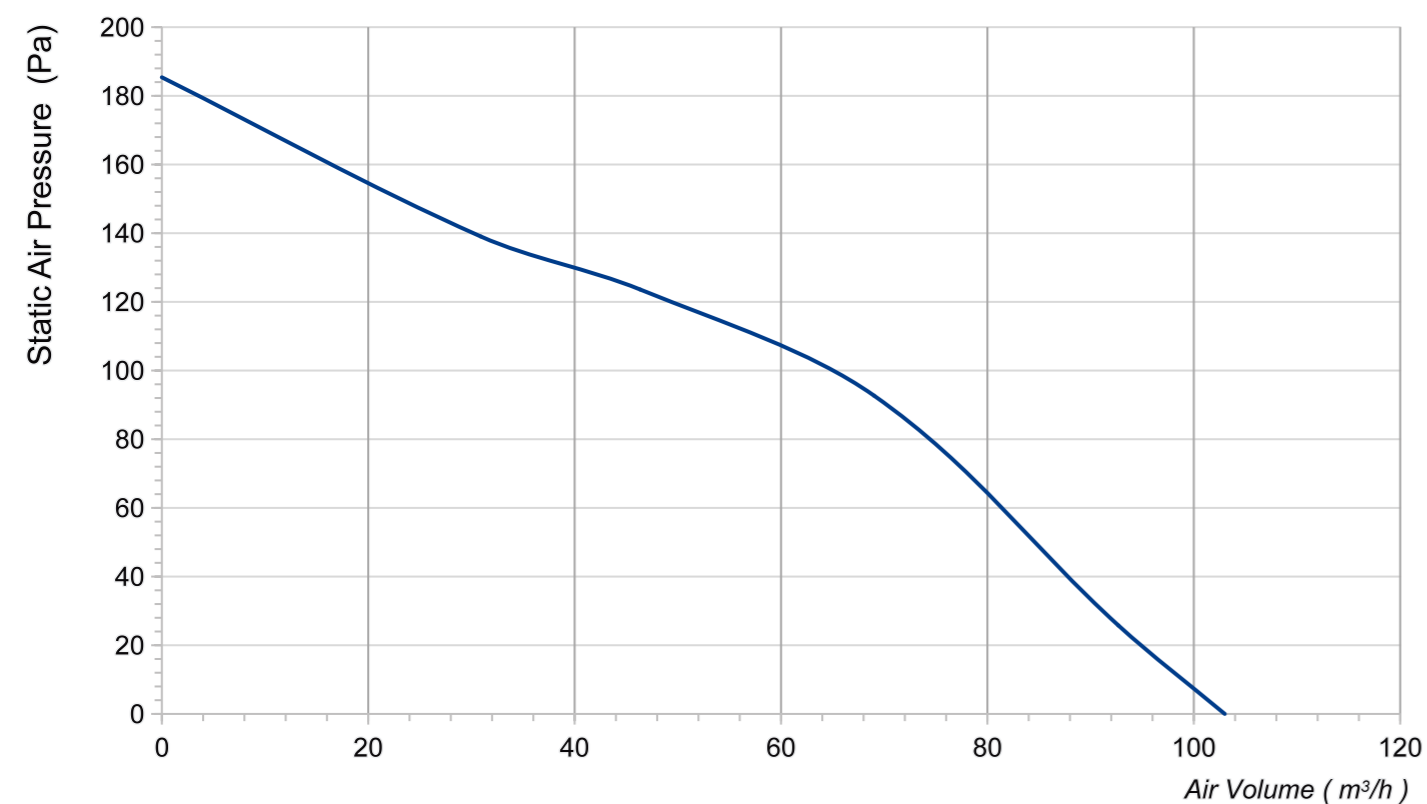
Product Characteristic

- Insulation class: H
- Housing & impeller: Aluminized sheet steel
- Flue temperature: ≤180 °C (continuous)
≤240 °C (instantaneous)
- Motor anti-vibration mounted
- Mounting position must be specified for corresponding support elements

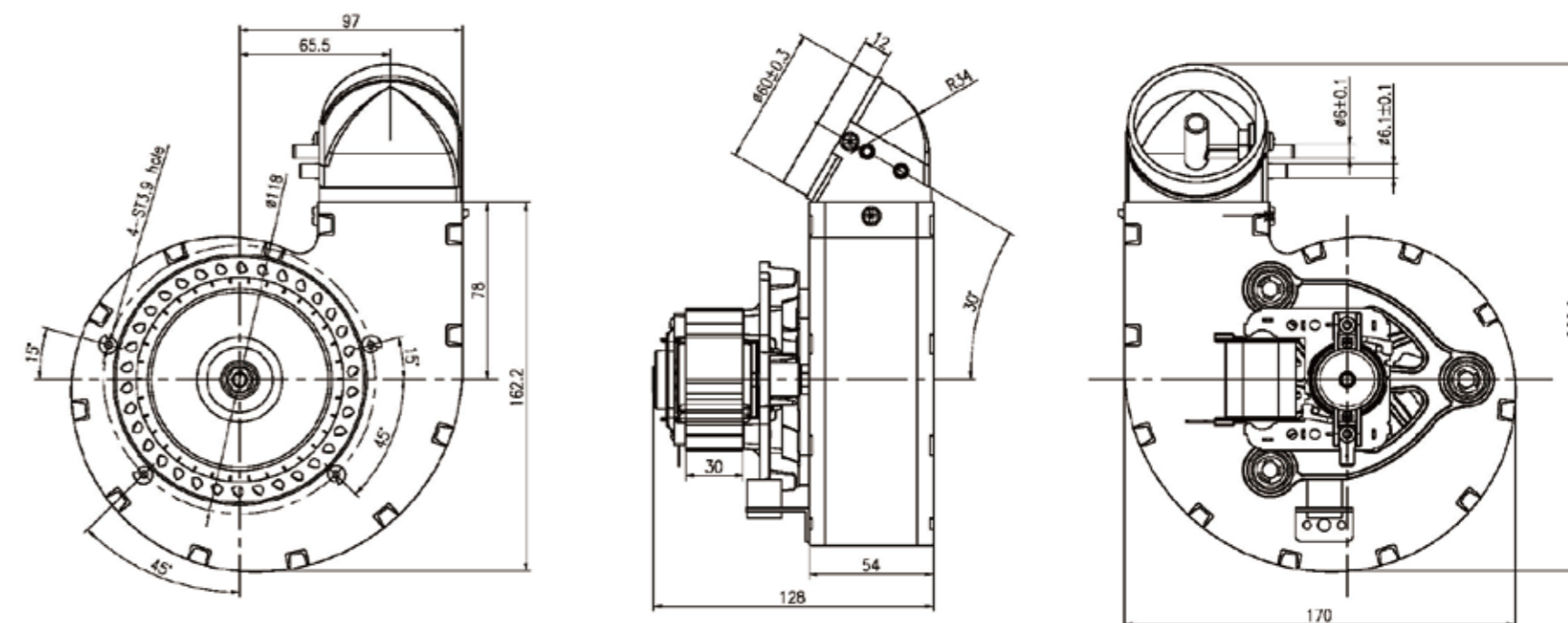


Technical Specifications

Model	Voltage (V)	Frequency (Hz)	Power (W)	Current (A)	Speed (RPM)	Air Volume (m³/h)	Air Pressure (Pa)
LWGA108S-03	230	50	43	0.37	2100	103	185



Product Drawing (mm)



LWGA108 Series

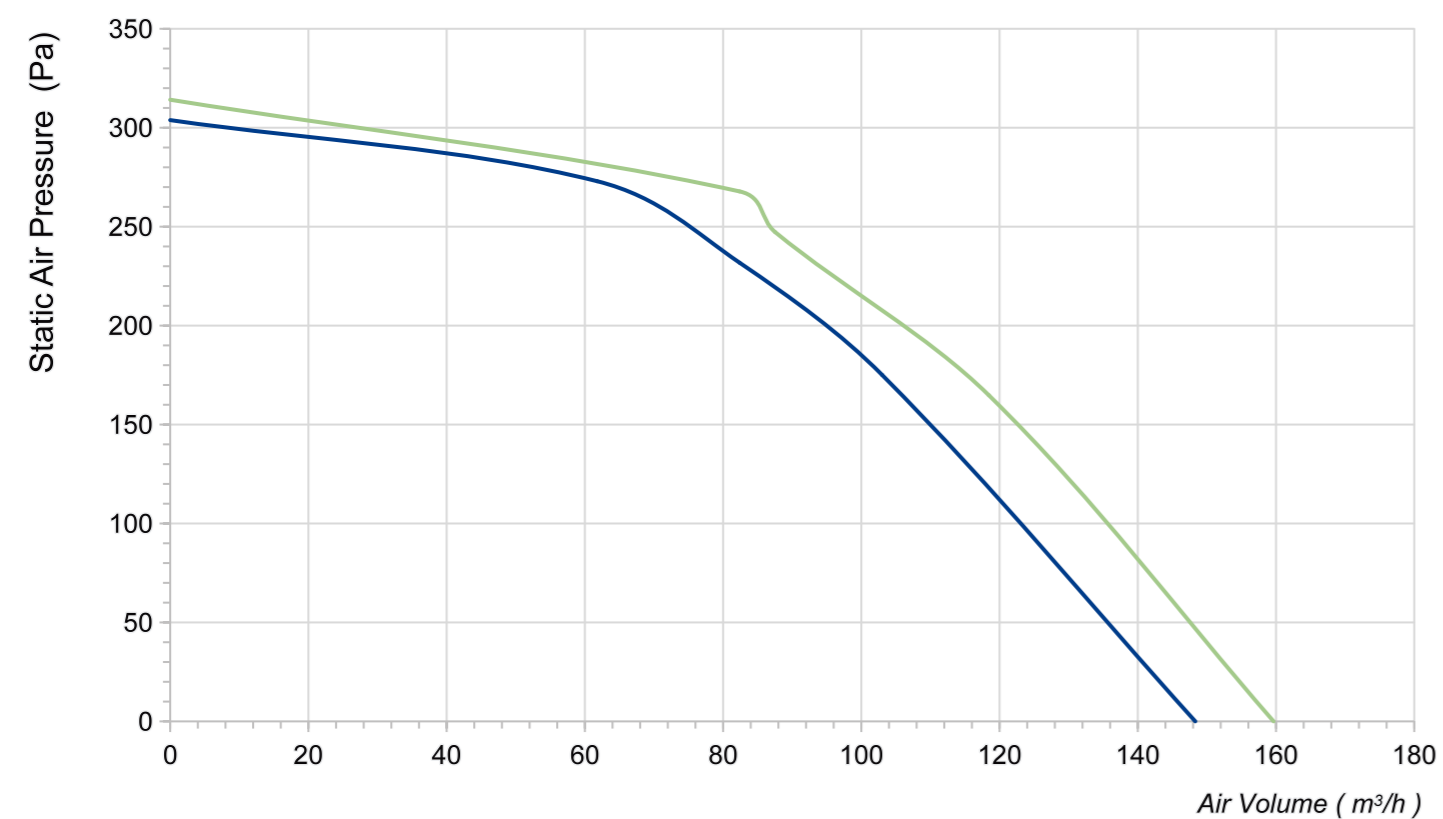
Product Characteristic

- Insulation class: H
- Housing & impeller: Aluminized sheet steel
- Flue temperature: ≤180°C (continuous)
≤240°C (instantaneous)
- Motor anti-vibration mounted
- Mounting position must be specified for corresponding support elements

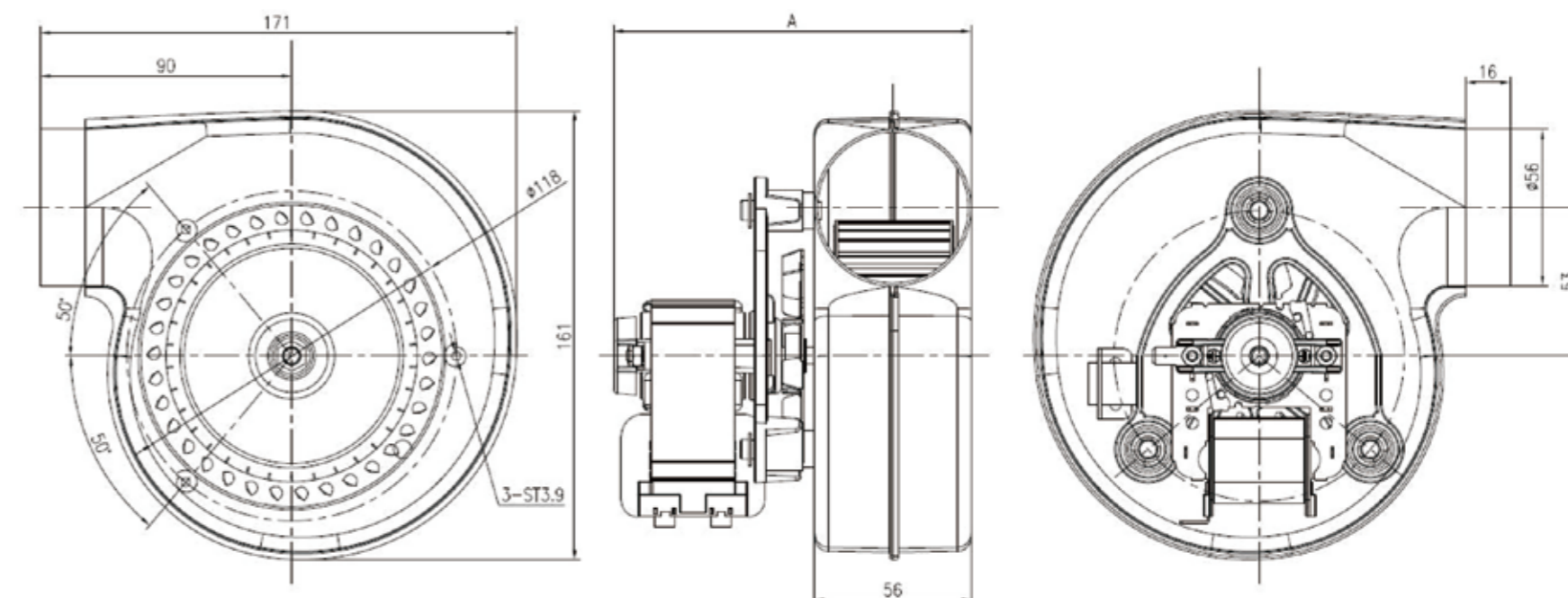


Technical Specifications

Model	Voltage (V)	Frequency (Hz)	Power (W)	Current (A)	Speed (RPM)	Air Volume (m³/h)	Air Pressure (Pa)	Diameter A (mm)
LWGA108S-04	230	50	53	0.5	2250	148	304	130
LWGA108S-05	230	50	65	0.65	2500	160	314	150



Product Drawing (mm)



LWGA108 Series

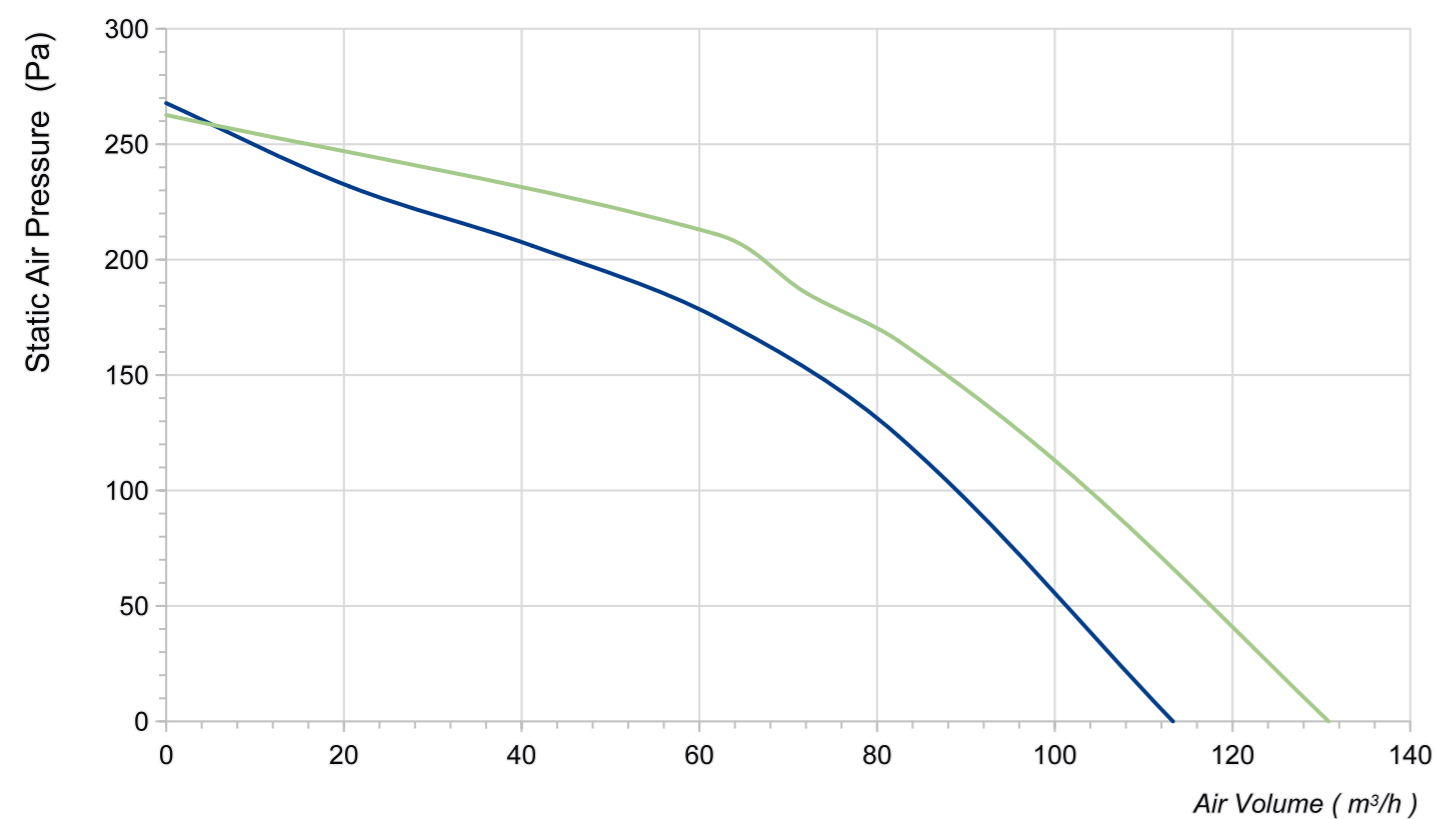
Product Characteristic

- Insulation class: H
- Housing & impeller: Aluminized sheet steel
- Flue temperature: $\leq 180^{\circ}\text{C}$ (continuous)
 $\leq 240^{\circ}\text{C}$ (instantaneous)
- Motor anti-vibration mounted
- Mounting position must be specified for corresponding support elements

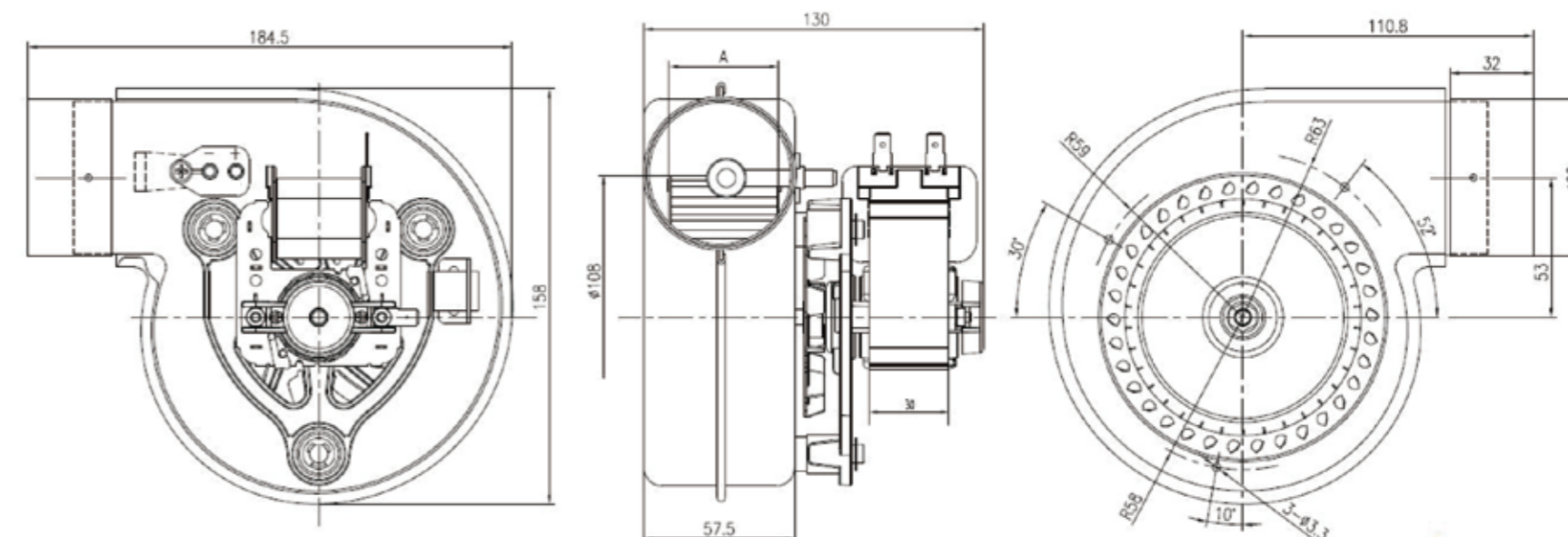


Technical Specifications

Model	Voltage (V)	Frequency (Hz)	Power (W)	Current (A)	Speed (RPM)	Air Volume (m ³ /h)	Air Pressure (Pa)	Diameter A (mm)
LWGA108S-06	220	50	35	0.3	2000	113	268	34
LWGA108S-07	220	50	47	0.43	2000	131	263	42



Product Drawing (mm)



LWGA108 Series

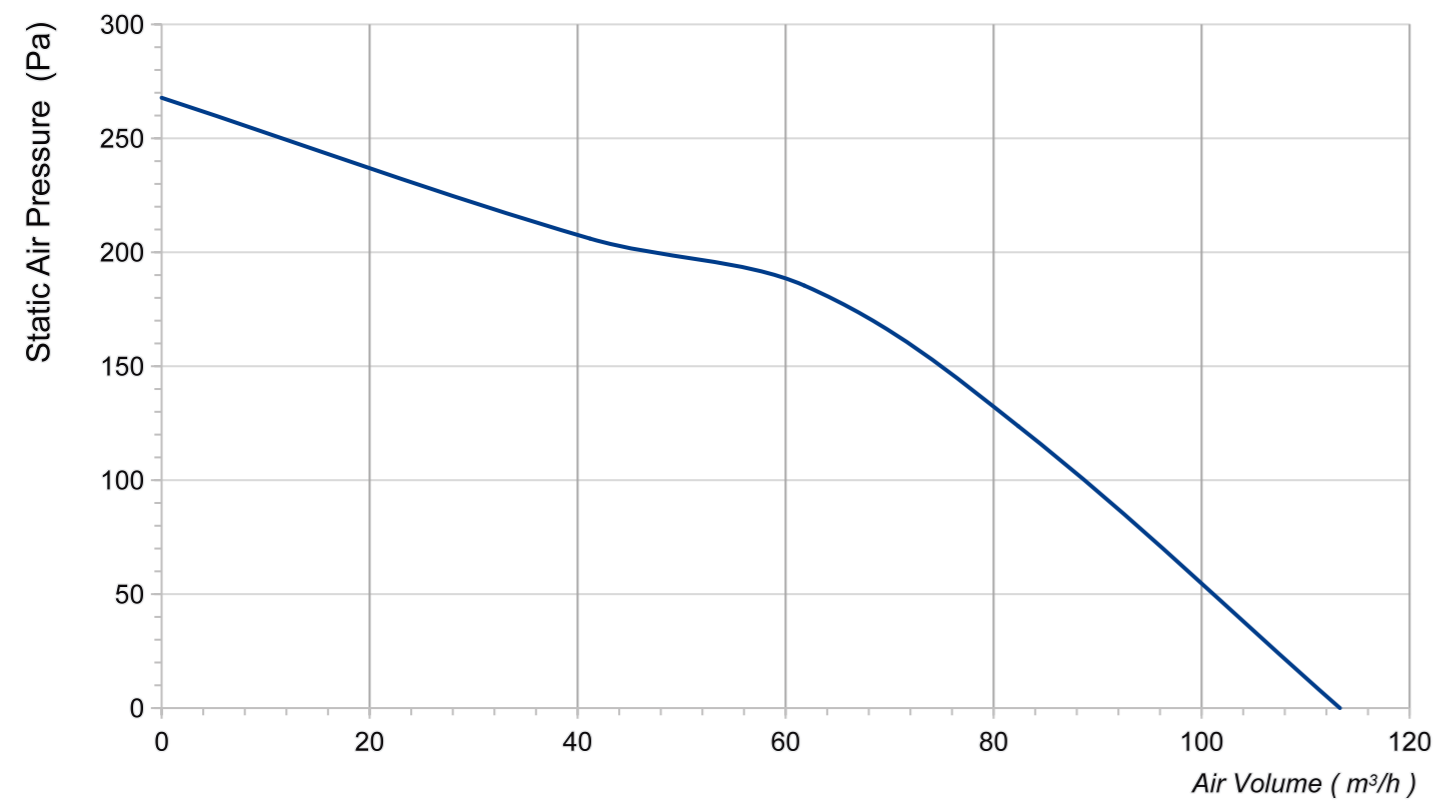
Product Characteristic

- Insulation class: H
- Housing & impeller: Aluminized sheet steel
- Flue temperature: ≤180 °C (continuous)
≤240 °C (instantaneous)
- Motor anti-vibration mounted
- Mounting position must be specified for corresponding support elements

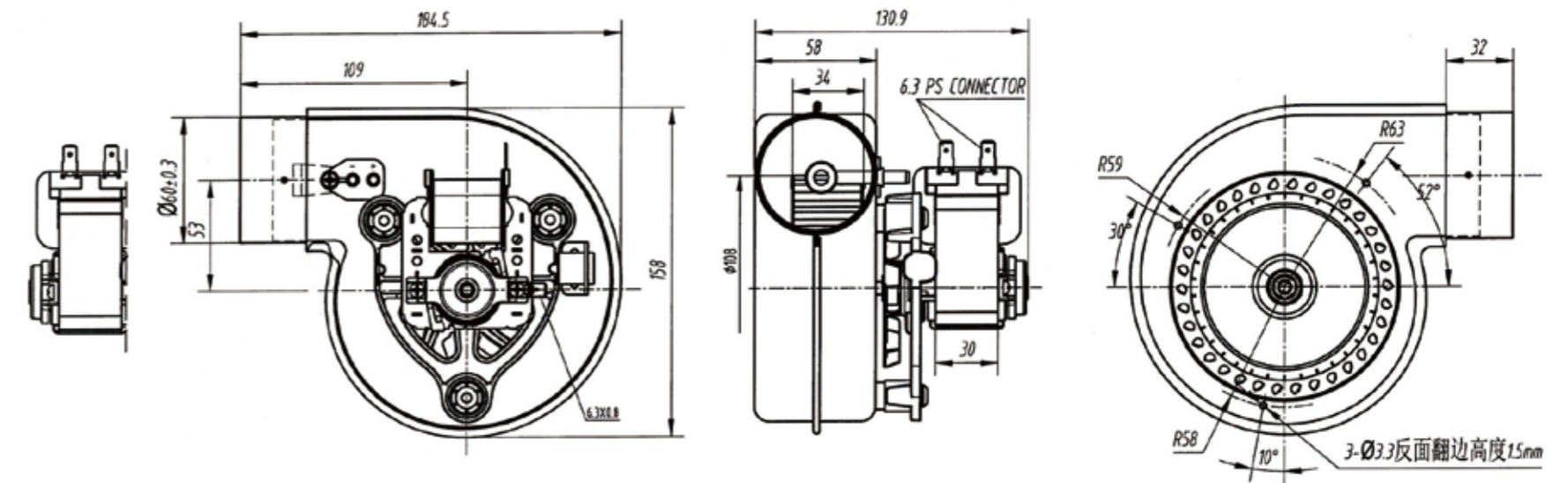


Technical Specifications

Model	Voltage (V)	Frequency (Hz)	Power (W)	Current (A)	Speed (RPM)	Air Volume (m³/h)	Air Pressure (Pa)	Diameter A (mm)
LWGA108S-08	220	50	35	0.3	2200	113	268	34



Product Drawing (mm)



LWGA108 Series

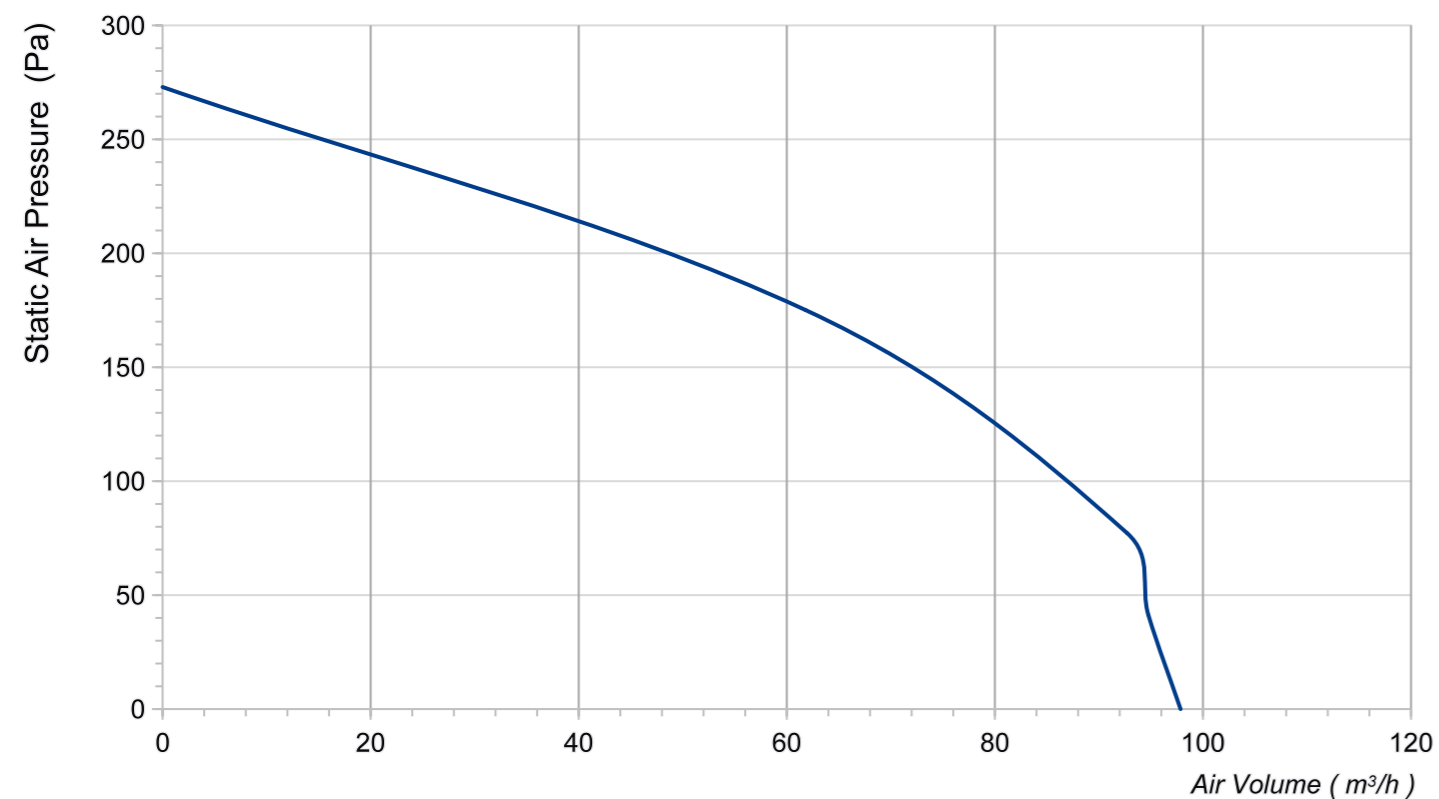
Product Characteristic

- Insulation class: H
- Housing & impeller: Aluminized sheet steel
- Flue temperature: ≤180 C (continuous)
≤240 C (instantaneous)
- Motor anti-vibration mounted
- Mounting position must be specified for corresponding support elements

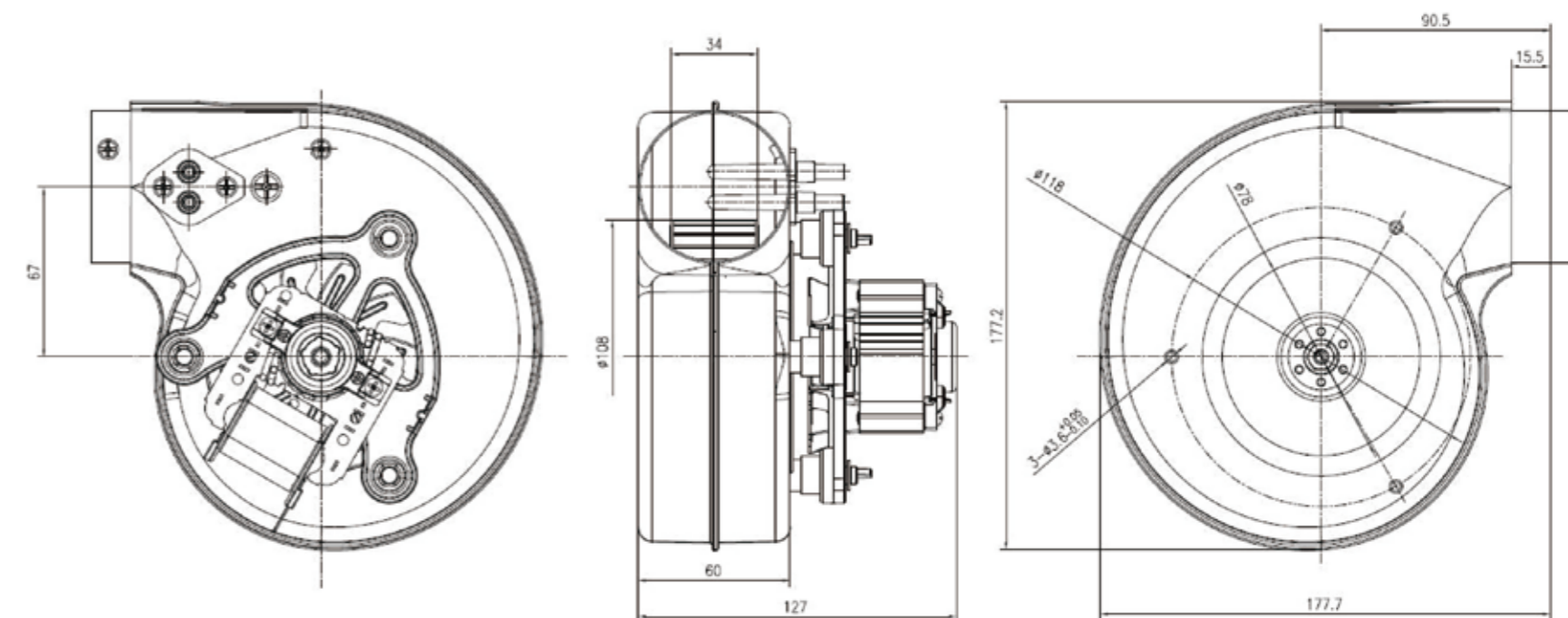


Technical Specifications

Model	Voltage (V)	Frequency (Hz)	Power (W)	Current (A)	Speed (RPM)	Air Volume (m³/h)	Air Pressure (Pa)
LWGA108S-09	230	50	33	0.28	1300	98	273



Product Drawing (mm)



LWGA108 Series

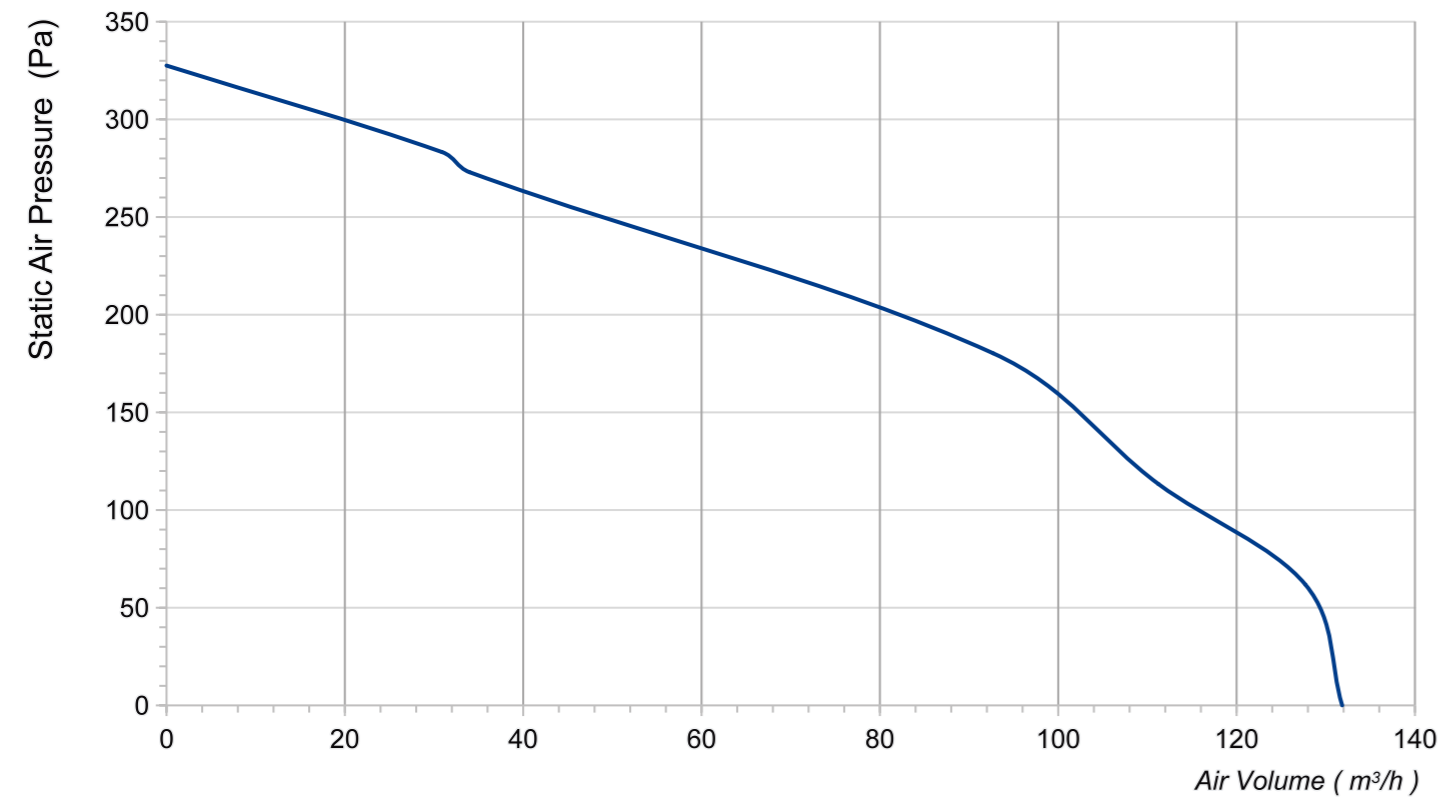
Product Characteristic

- Insulation class: H
- Housing & impeller: Aluminized casting
- Flue temperature: ≤180 °C (continuous)
≤240 °C (instantaneous)
- Motor anti-vibration mounted
- Mounting position must be specified for corresponding support elements

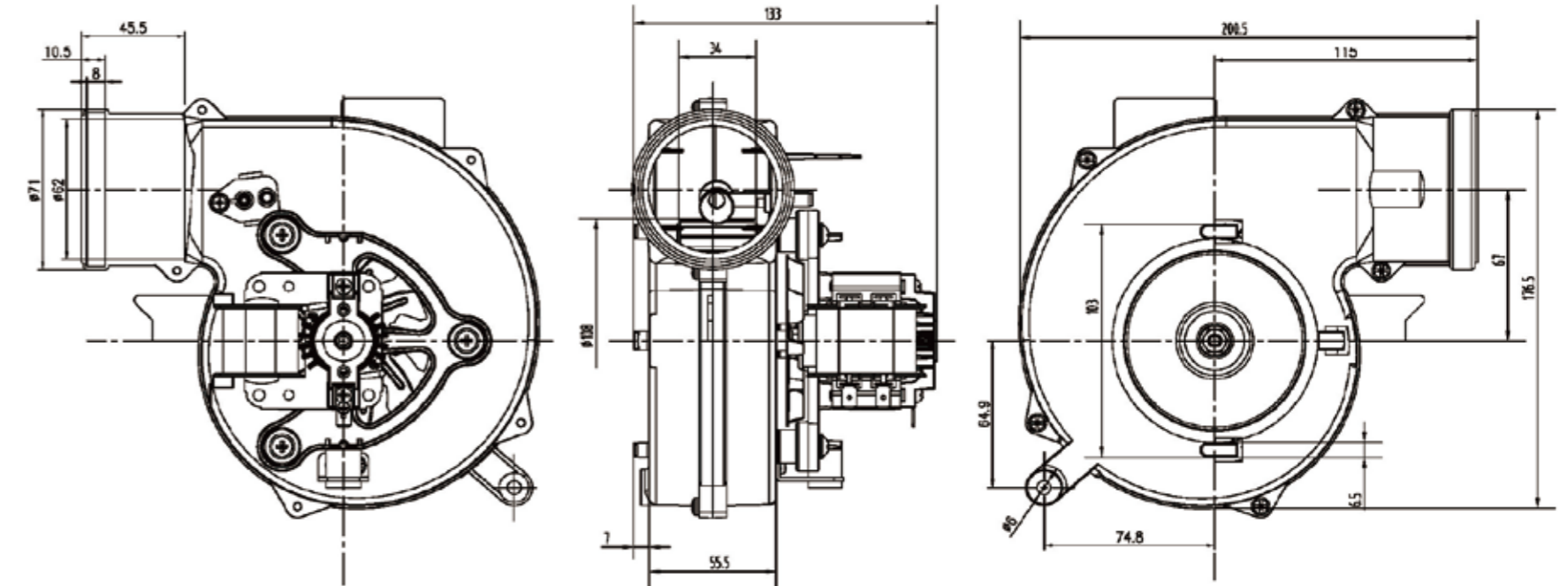


Technical Specifications

Model	Voltage (V)	Frequency (Hz)	Power (W)	Current (A)	Speed (RPM)	Air Volume (m³/h)	Air Pressure (Pa)
LWGA108S-10	230	50	53	0.49	2450	132	328



Product Drawing (mm)



LWGA108 Series

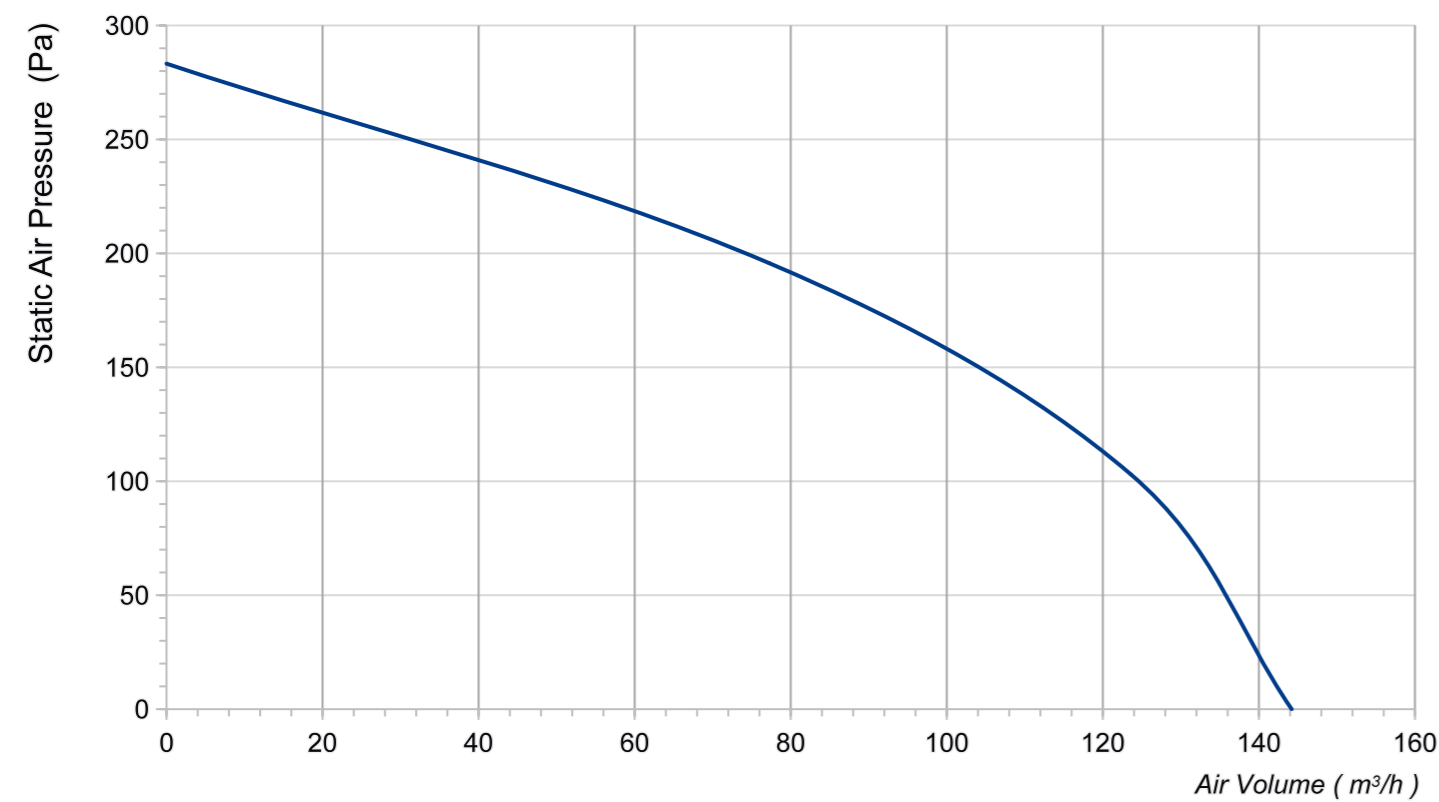
Product Characteristic

- Insulation class: H
- Housing & impeller: Aluminized casting
- Flue temperature: ≤180 °C (continuous)
≤240 °C (instantaneous)
- Motor anti-vibration mounted
- Mounting position must be specified for corresponding support elements

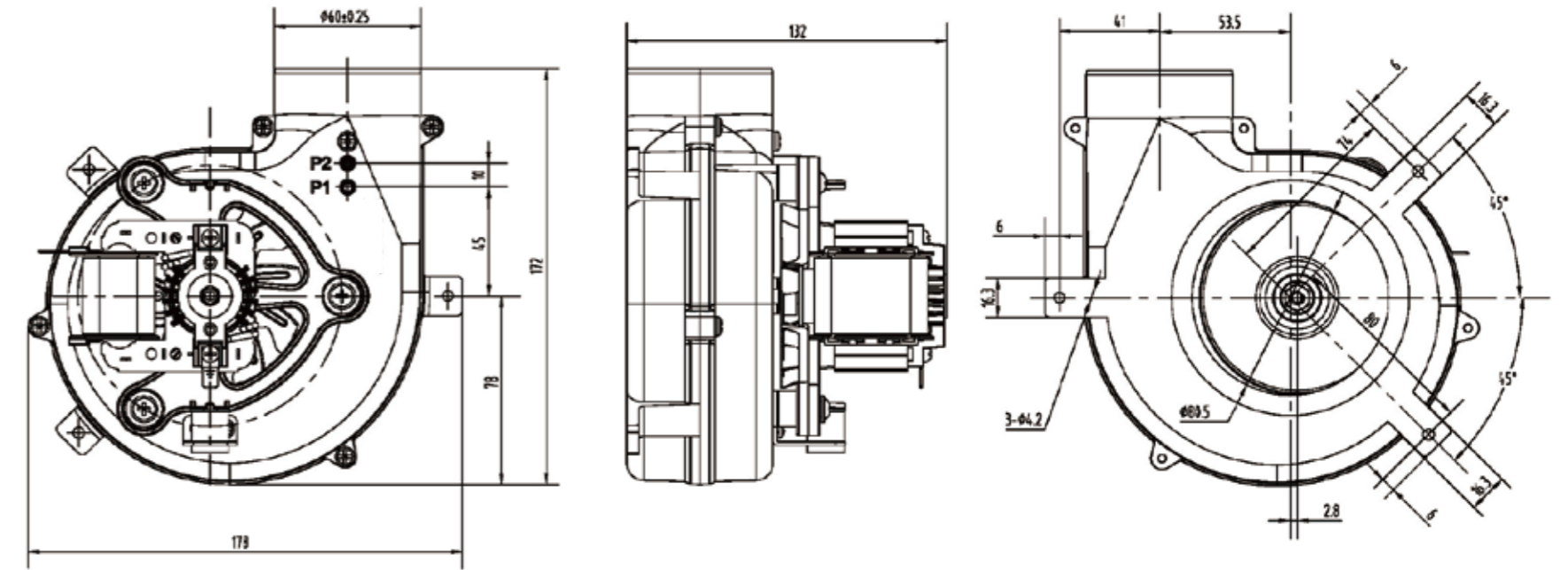


Technical Specifications

Model	Voltage (V)	Frequency (Hz)	Power (W)	Current (A)	Speed (RPM)	Air Volume (m³/h)	Air Pressure (Pa)
LWGA108S-11	230	50	55	0.48	2100	144	283



Product Drawing (mm)



LWGA108 Series

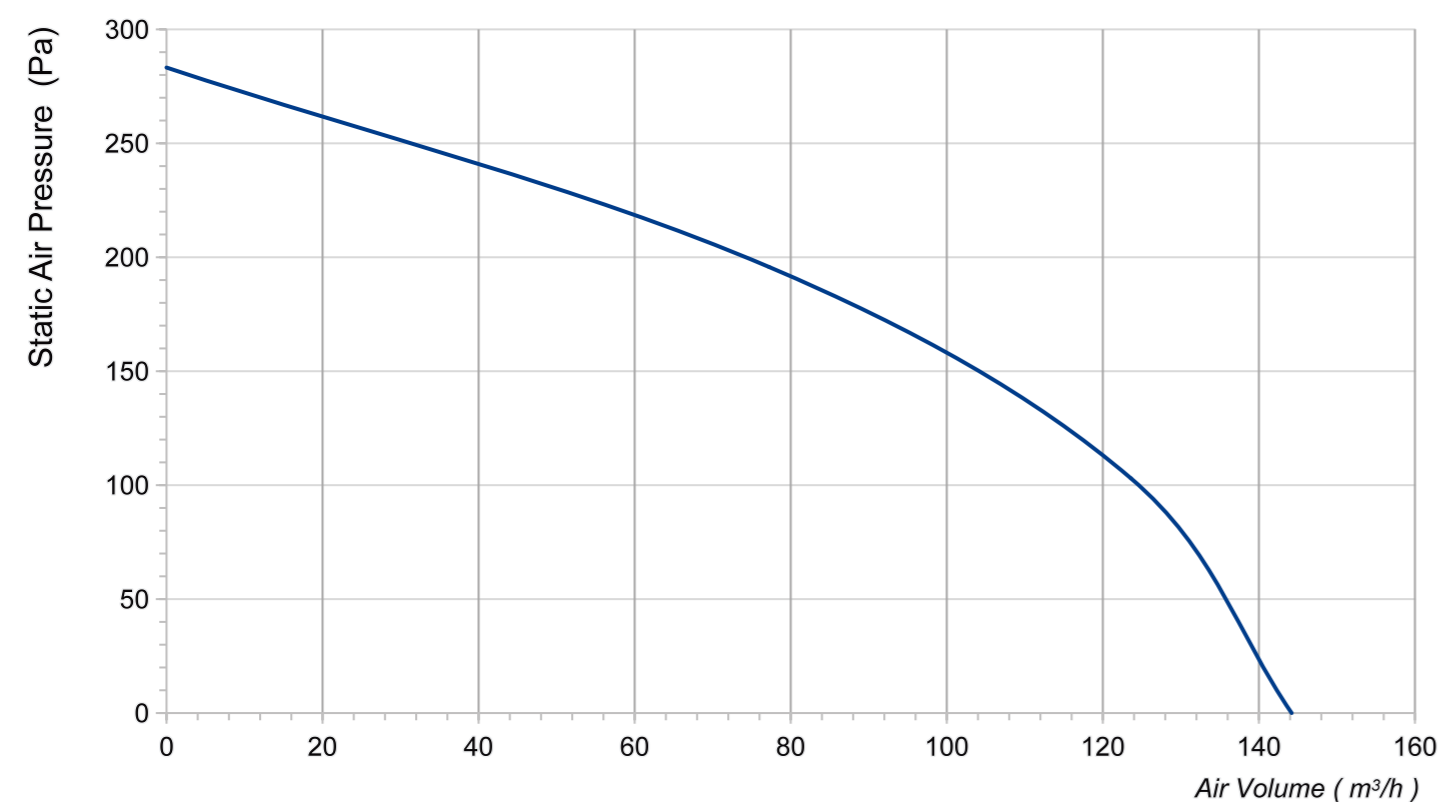
Product Characteristic

- Insulation class: H
- Housing & impeller: Aluminized casting
- Flue temperature: ≤180 °C (continuous)
≤240 °C (instantaneous)
- Motor anti-vibration mounted
- Mounting position must be specified for corresponding support elements

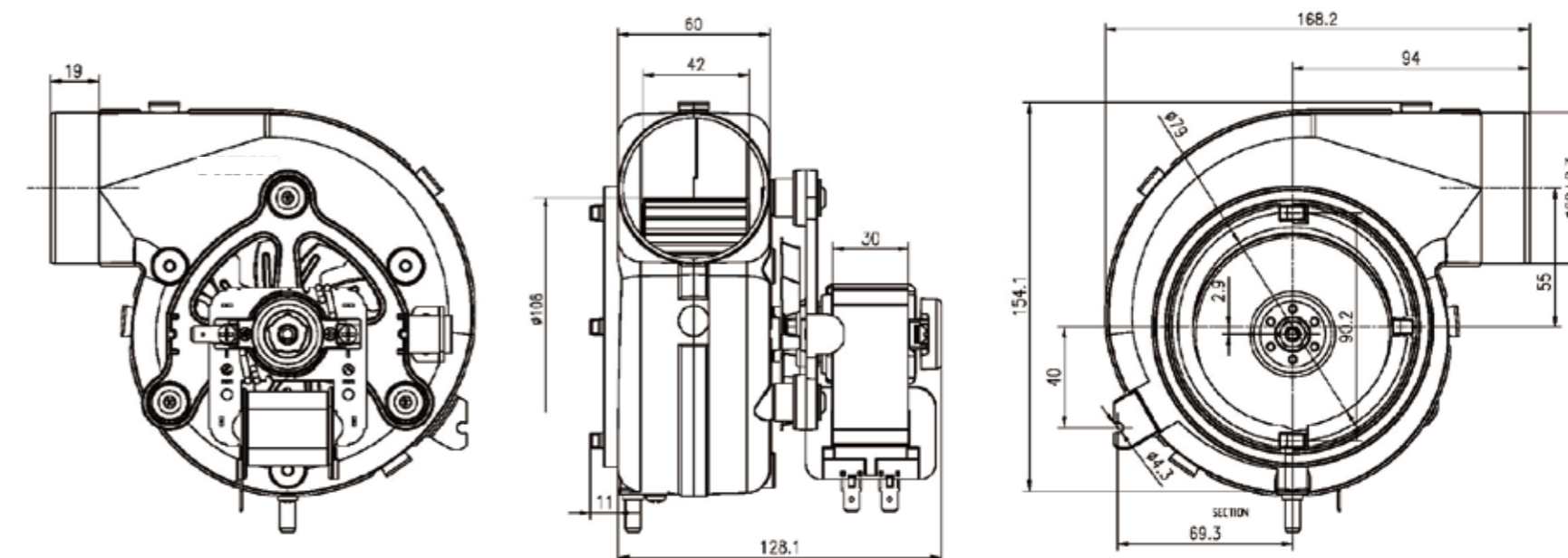


Technical Specifications

Model	Voltage (V)	Frequency (Hz)	Power (W)	Current (A)	Speed (RPM)	Air Volume (m³/h)	Air Pressure (Pa)
LWGA108S-12	230	50	/	/	/	144	283



Product Drawing (mm)



LWGA108 Series (Premixed Blower)

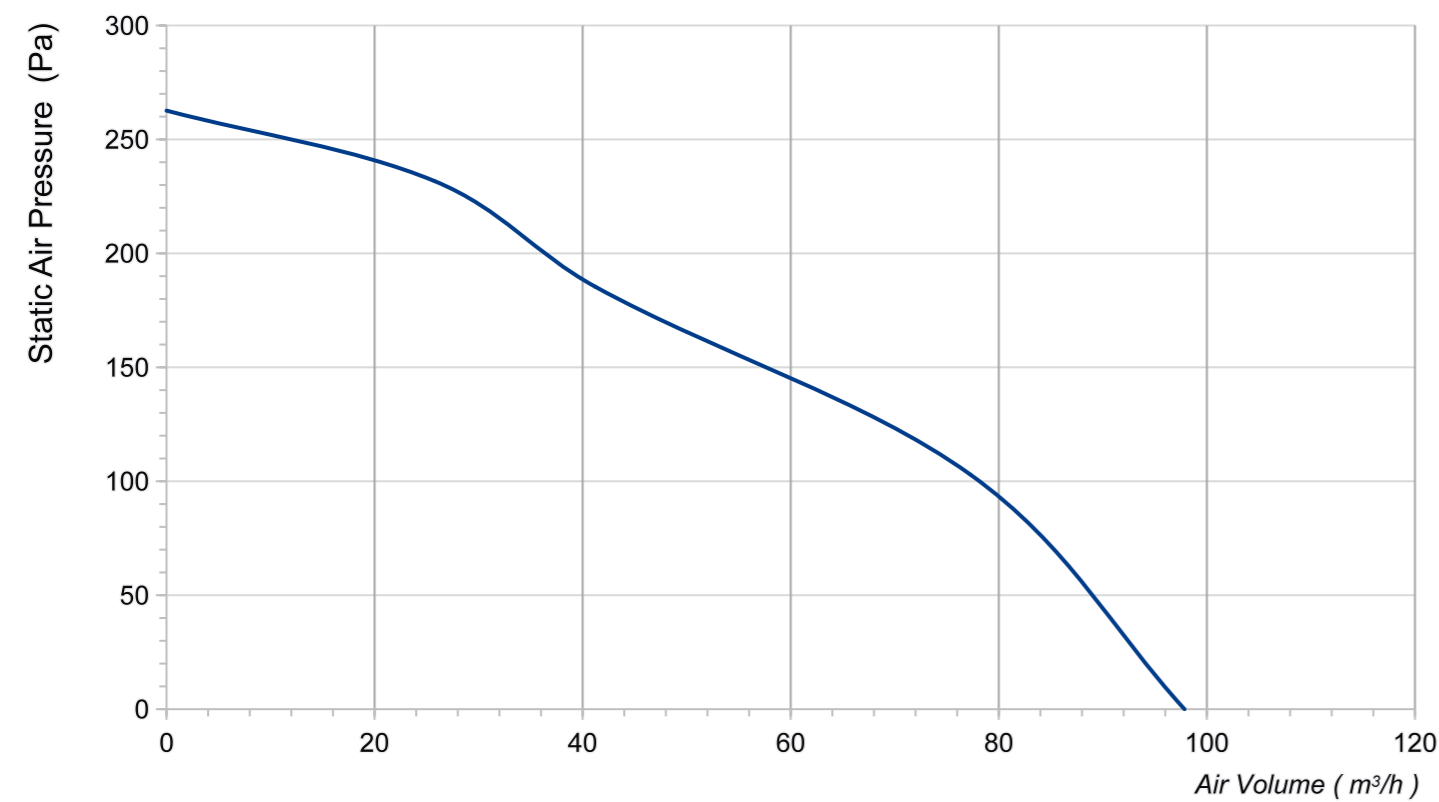
Product Characteristic

- Insulation class: H
- Housing & impeller: Aluminized casting
- Flue temperature: ≤180 °C (continuous)
≤240 °C (instantaneous)
- Motor anti-vibration mounted
- Mounting position must be specified for corresponding support elements

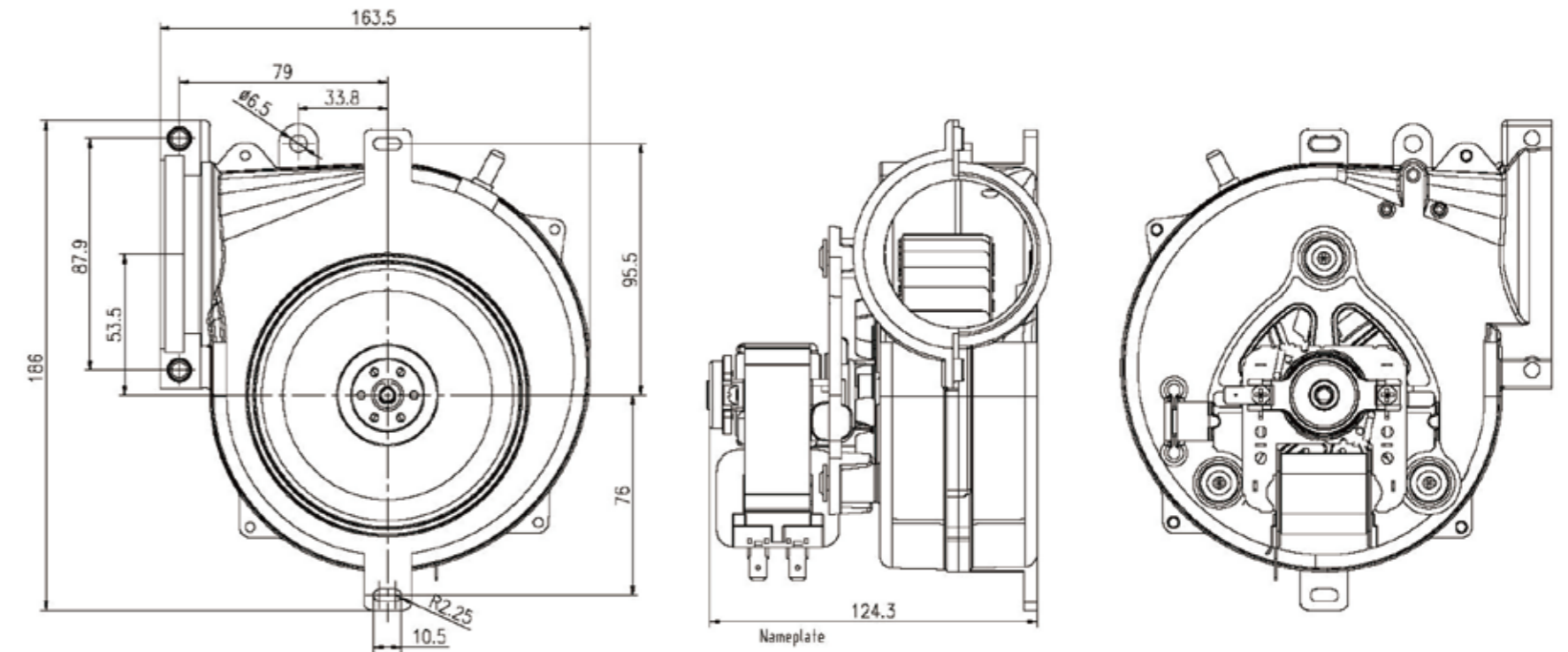


Technical Specifications

Model	Voltage (V)	Frequency (Hz)	Power (W)	Current (A)	Speed (RPM)	Air Volume (m³/h)	Air Pressure (Pa)
LWGA108S-13	230	50	37	0.33	1600	98	263



Product Drawing (mm)



LWGA108 Series

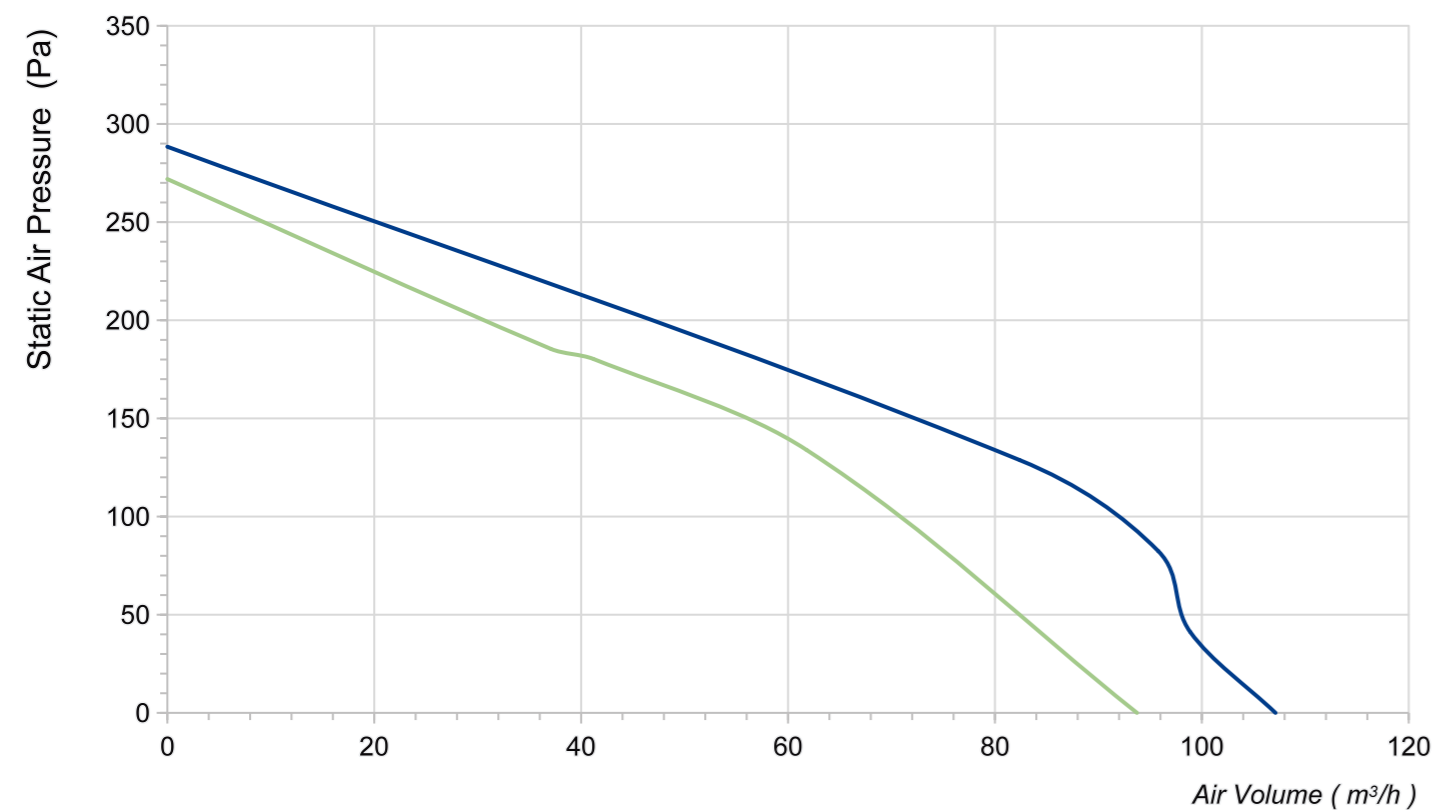
Product Characteristic

- Insulation class: H
- Housing & impeller: Aluminized casting
- Flue temperature: ≤180 °C (continuous)
≤240 °C (instantaneous)
- Motor anti-vibration mounted
- Mounting position must be specified for corresponding support elements

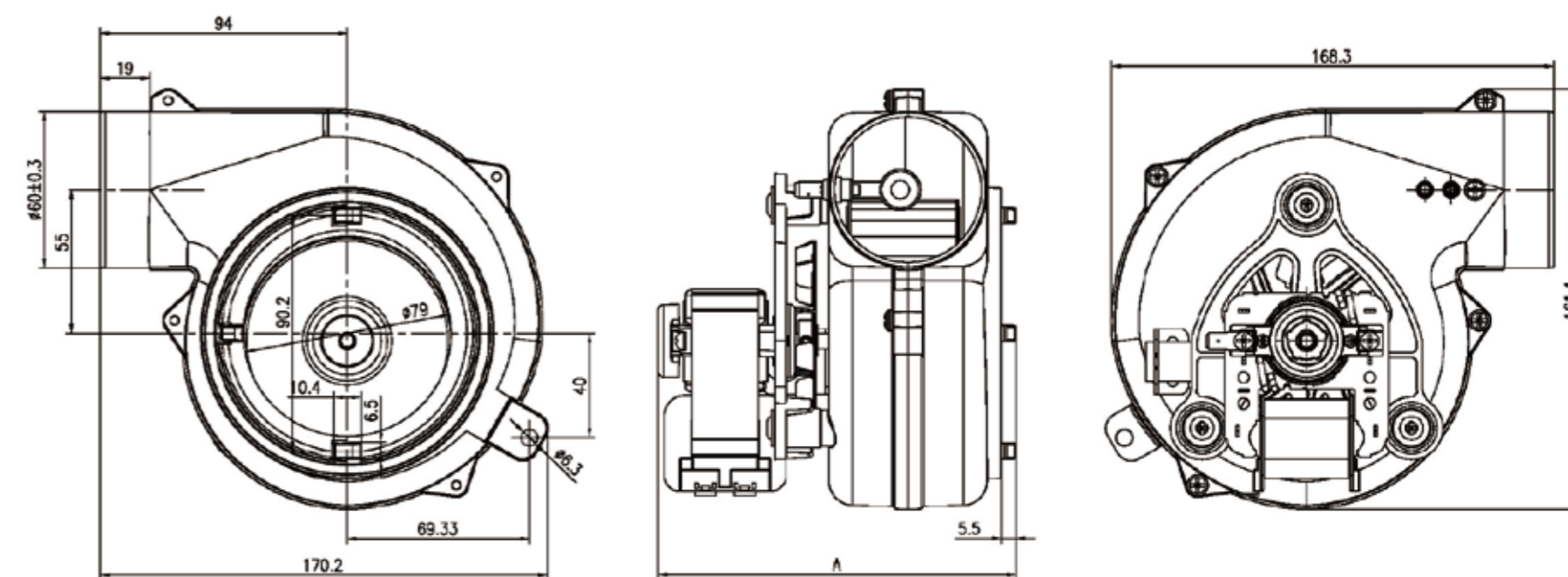


Technical Specifications

Model	Voltage (V)	Frequency (Hz)	Power (W)	Current (A)	Speed (RPM)	Air Volume (m³/h)	Air Pressure (Pa)	Diameter A (mm)
LWGA108S-14	230	50	35	0.33	1350	107	288	132
LWGA108S-15	230	50	35	0.3	1400	94	272	137



Product Drawing (mm)



LWGA117 Series (Centrifugal Blower)

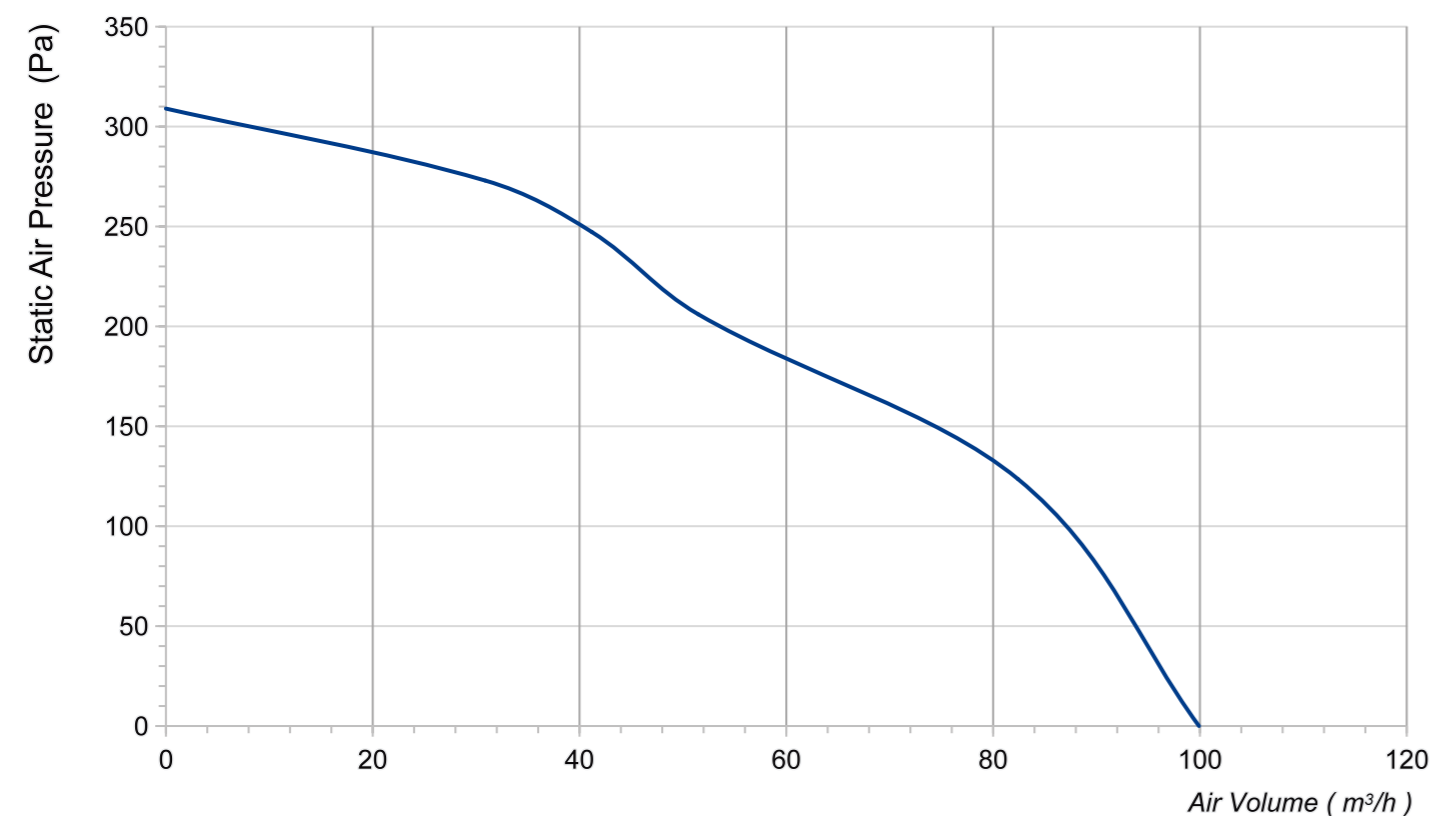
Product Characteristic

- Insulation class: F
- Housing & impeller: Galvanizing sheet steel
- Both of ball bearings
- 3 Speeds
- Adjusting air volume

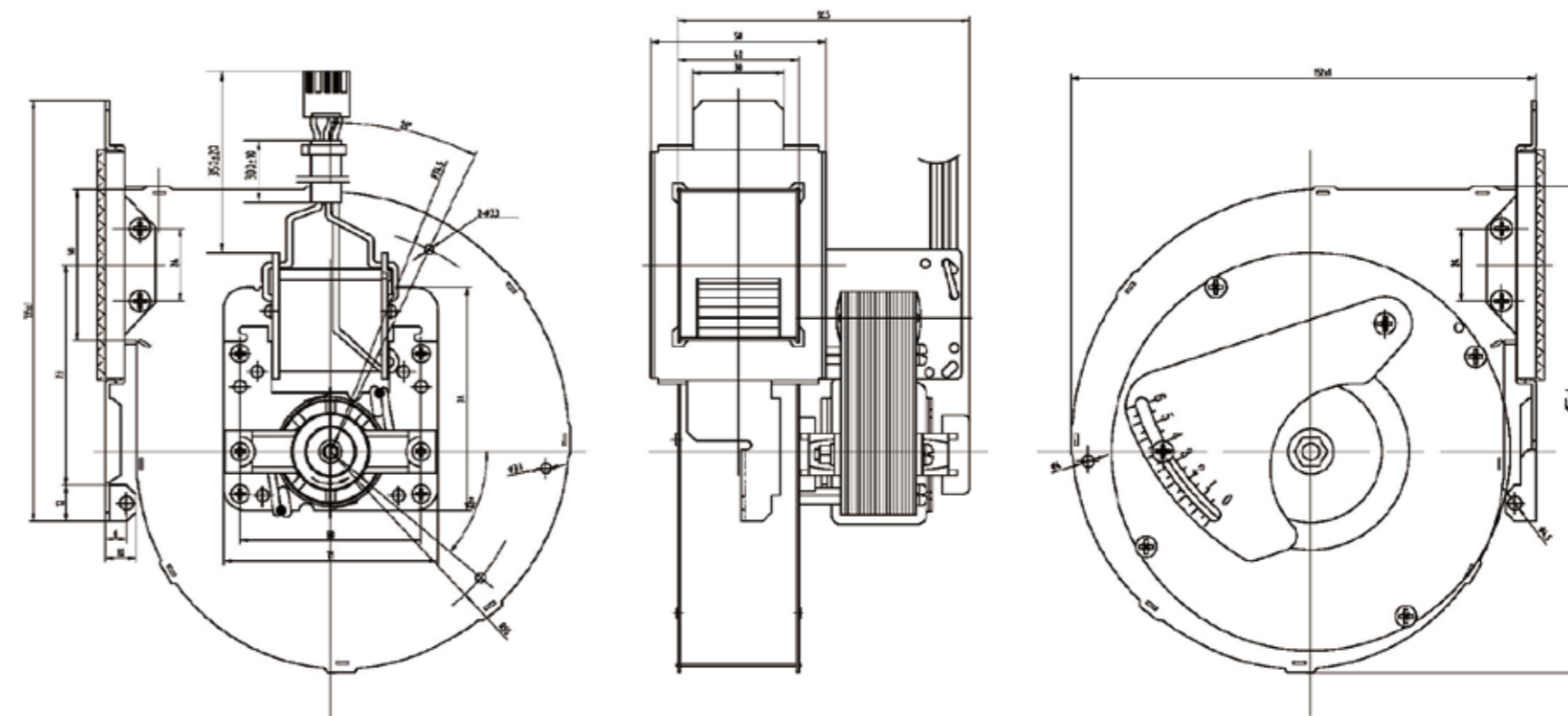


Technical Specifications

Model	Voltage (V)	Frequency (Hz)	Power (W)	Current (A)	Speed (RPM)	Air Volume (m³/h)	Air Pressure (Pa)
LWGA117S-01	220	50	55	0.4	2450/1350/1050	100	309



Product Drawing (mm)



LWGA120 Series

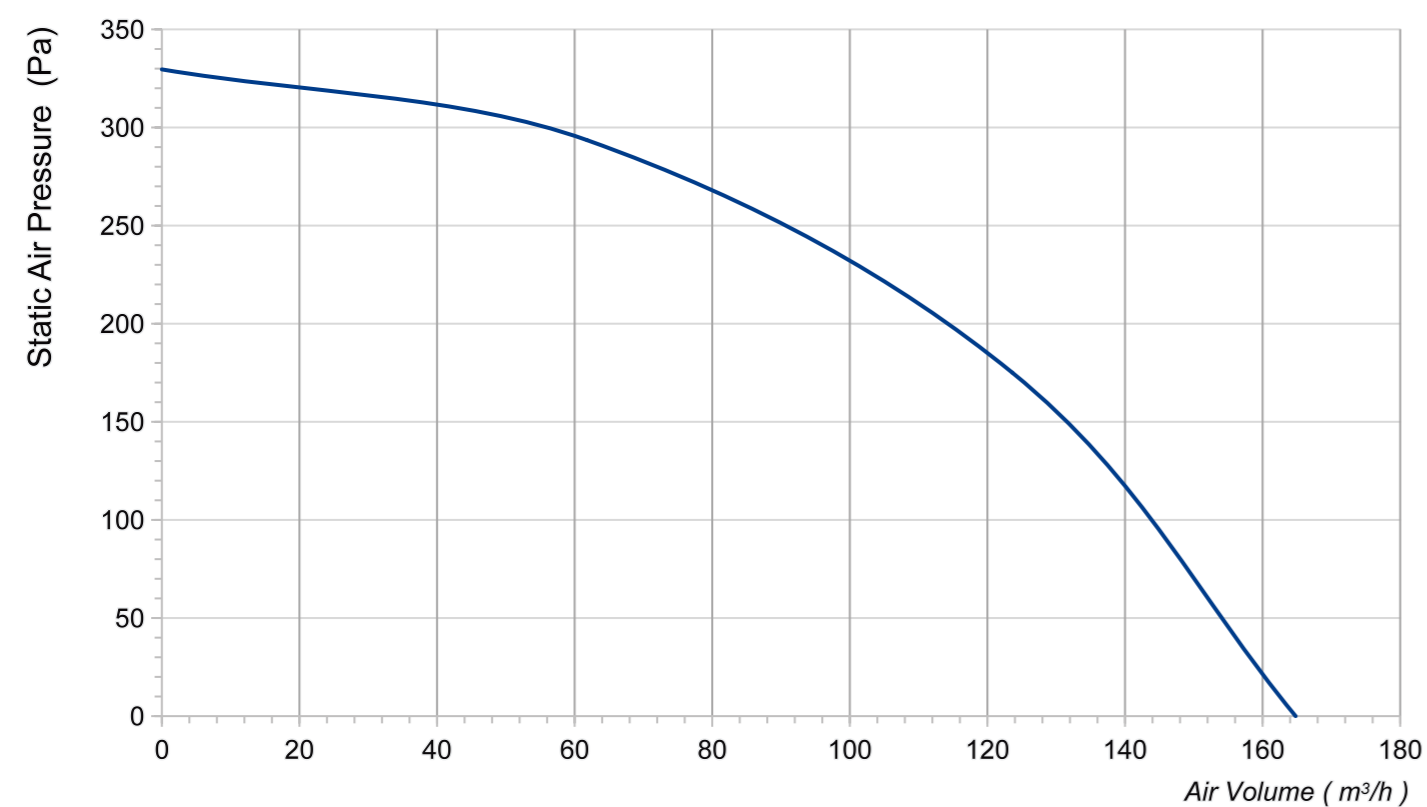
Product Characteristic

- Insulation class: H
- Housing & impeller: Black painting
- Flue temperature: $\leq 180^{\circ}\text{C}$ (continuous)
 $\leq 240^{\circ}\text{C}$ (instantaneous)
- Motor anti-vibration mounted
- With speed encoder

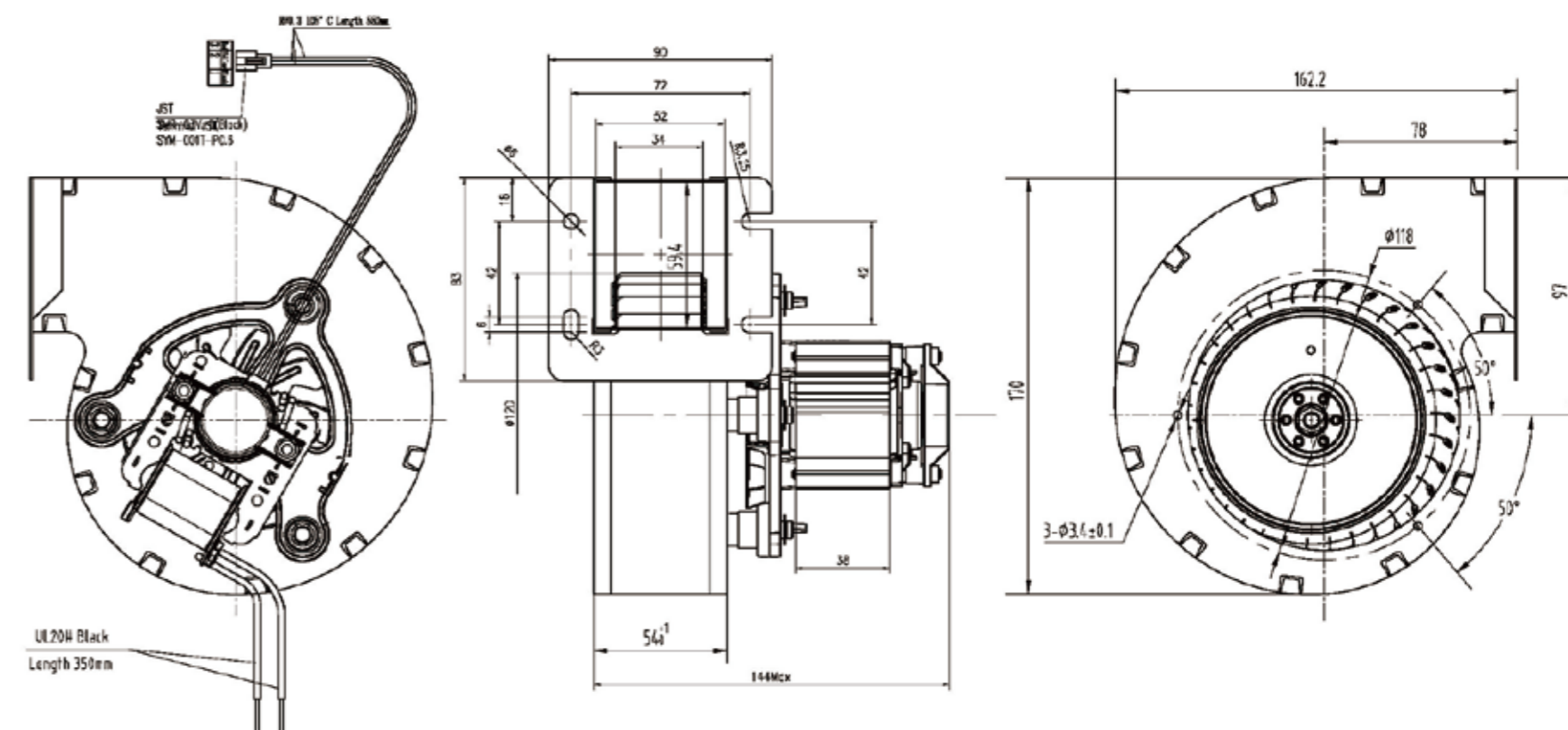


Technical Specifications

Model	Voltage (V)	Frequency (Hz)	Power (W)	Current (A)	Speed (RPM)	Air Volume (m ³ /h)	Air Pressure (Pa)
LWGA120S-01	230	50	70	0.6	2300	165	330



Product Drawing (mm)



LWGA120 Series

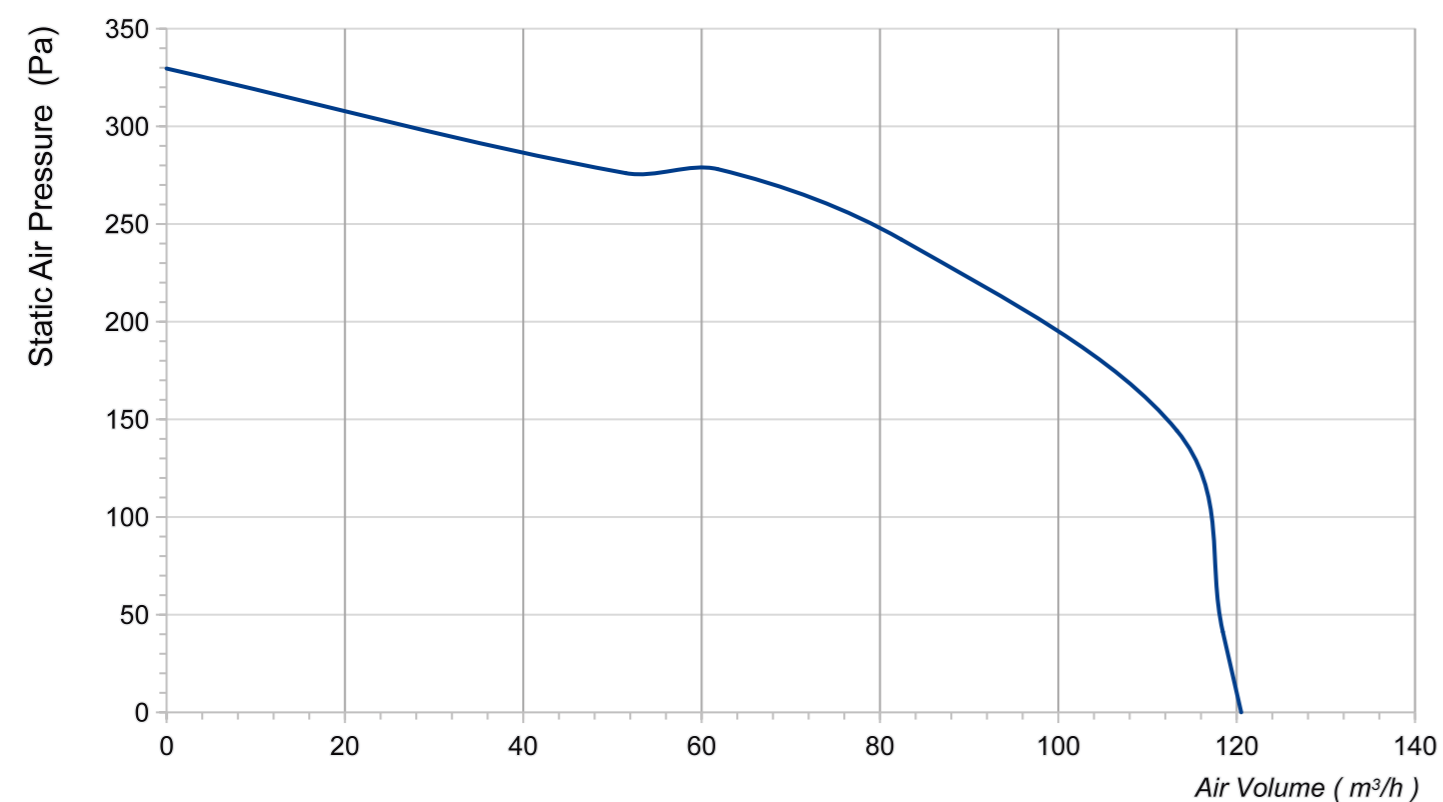
Product Characteristic

- Insulation class: H
- Housing & impeller: Aluminized sheet steel
- Flue temperature: ≤180 C (continuous)
≤240 C (instantaneous)
- Motor anti-vibration mounted
- Mounting position must be specified for corresponding support elements

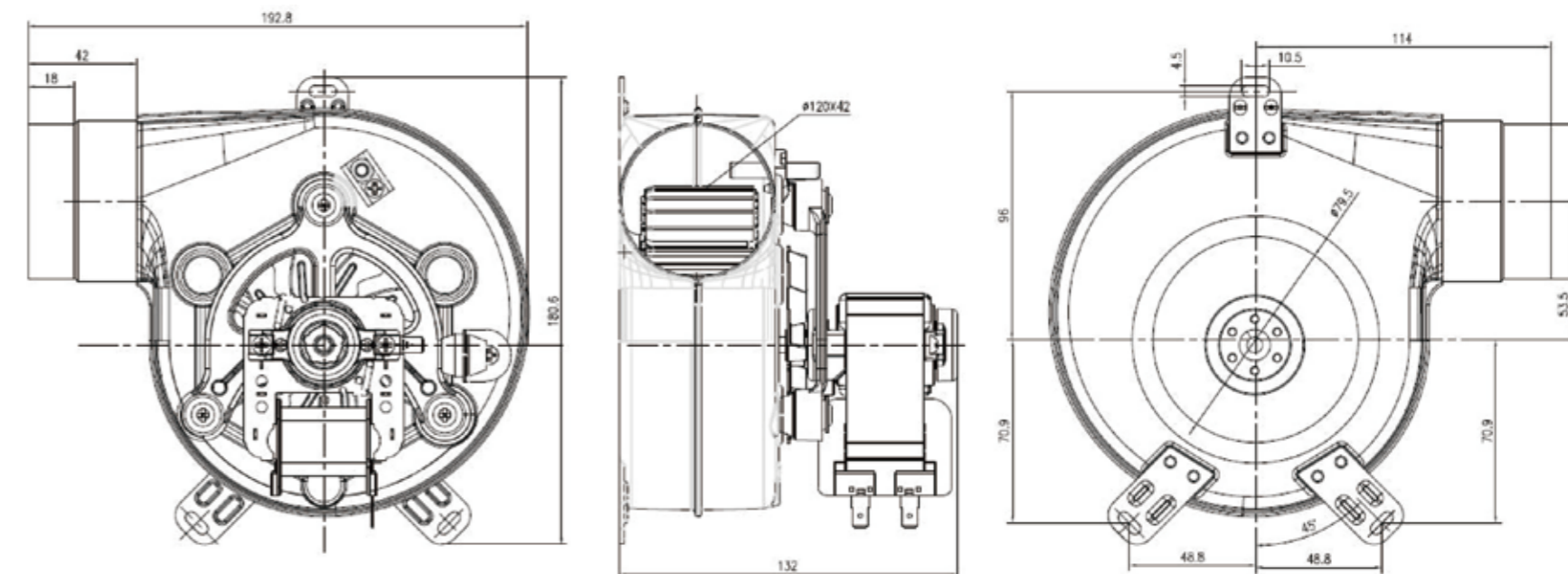


Technical Specifications

Model	Voltage (V)	Frequency (Hz)	Power (W)	Current (A)	Speed (RPM)	Air Volume (m³/h)	Air Pressure (Pa)
LWGA120S-02	220	50	53	0.48	1450	121	330



Product Drawing (mm)



LWGA120 Series

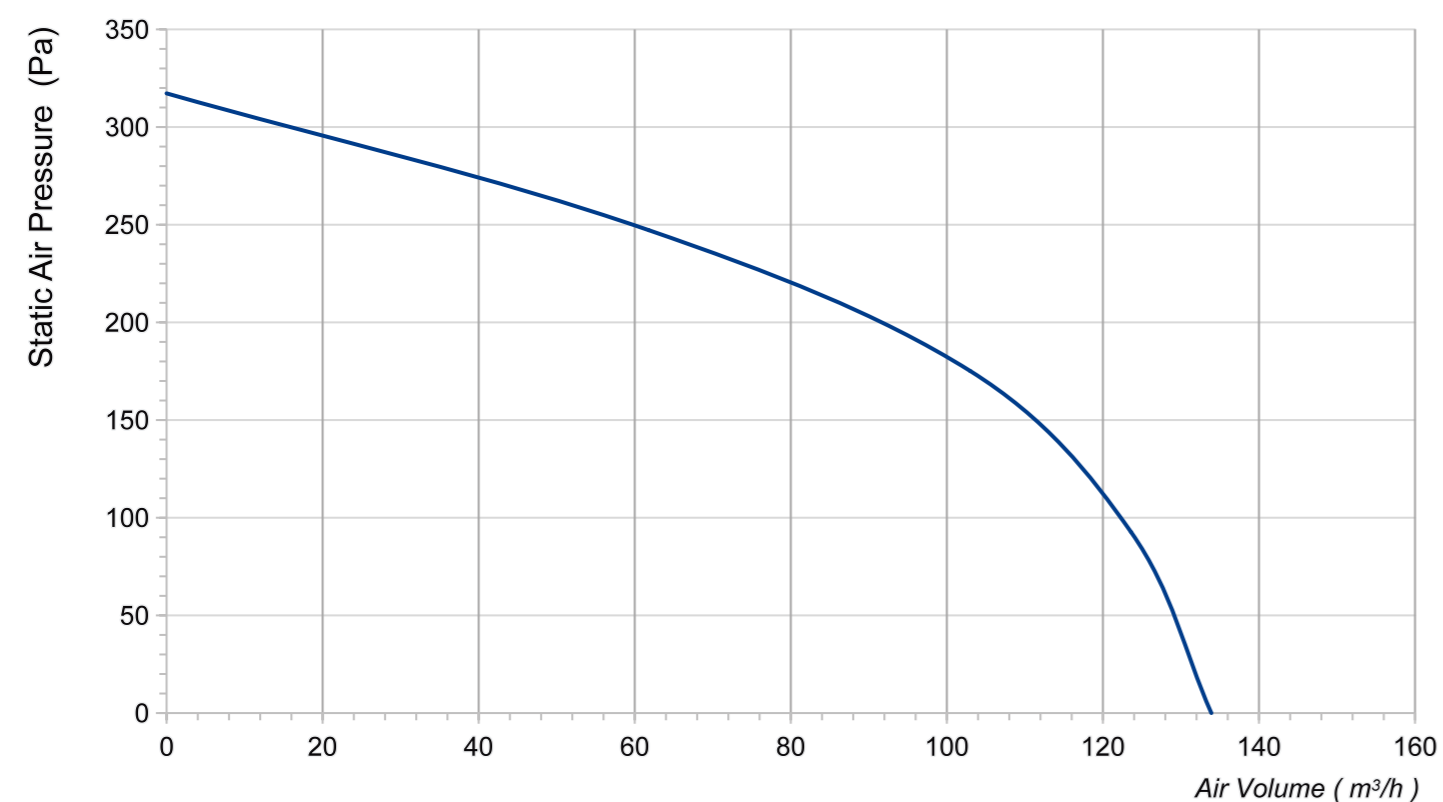
Product Characteristic

- Insulation class: H
- Housing & impeller: Aluminized sheet steel
- Flue temperature: ≤180 °C (continuous)
≤240 °C (instantaneous)
- Motor anti-vibration mounted
- Mounting position must be specified for corresponding support elements

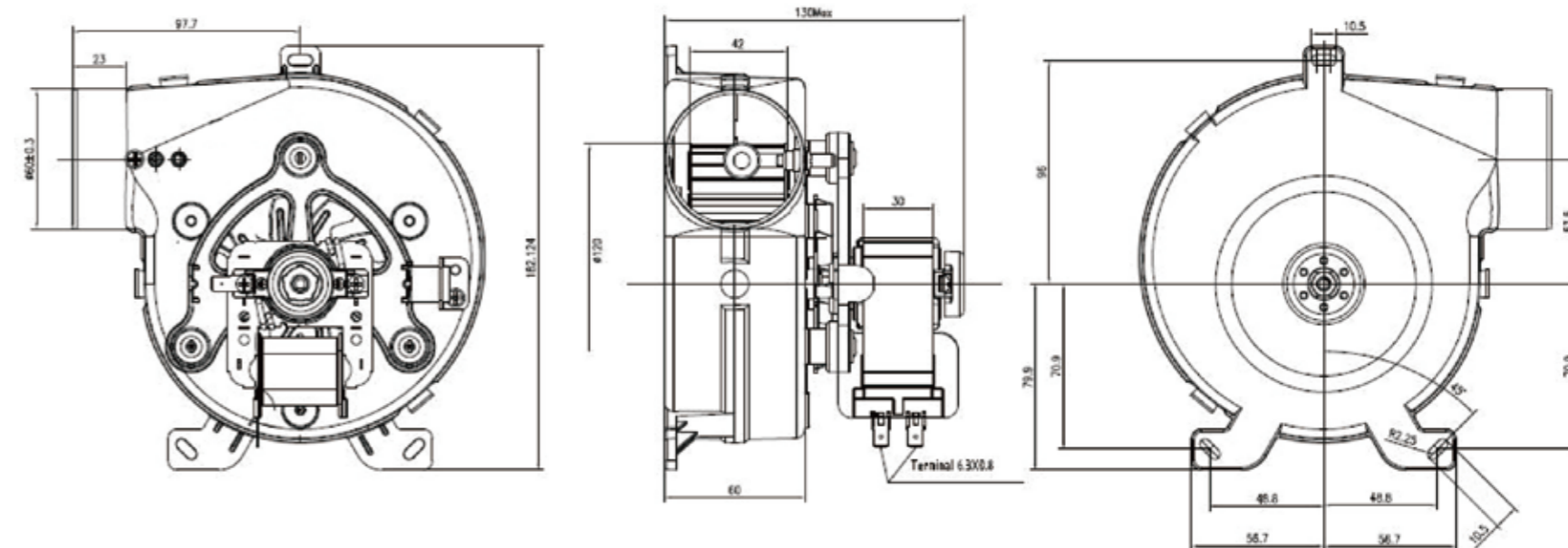


Technical Specifications

Model	Voltage (V)	Frequency (Hz)	Power (W)	Current (A)	Speed (RPM)	Air Volume (m³/h)	Air Pressure (Pa)
LWGA120S-03	220	50	47	0.4	1890	134	317



Product Drawing (mm)



LWGA120 Series (Premixed Blower)

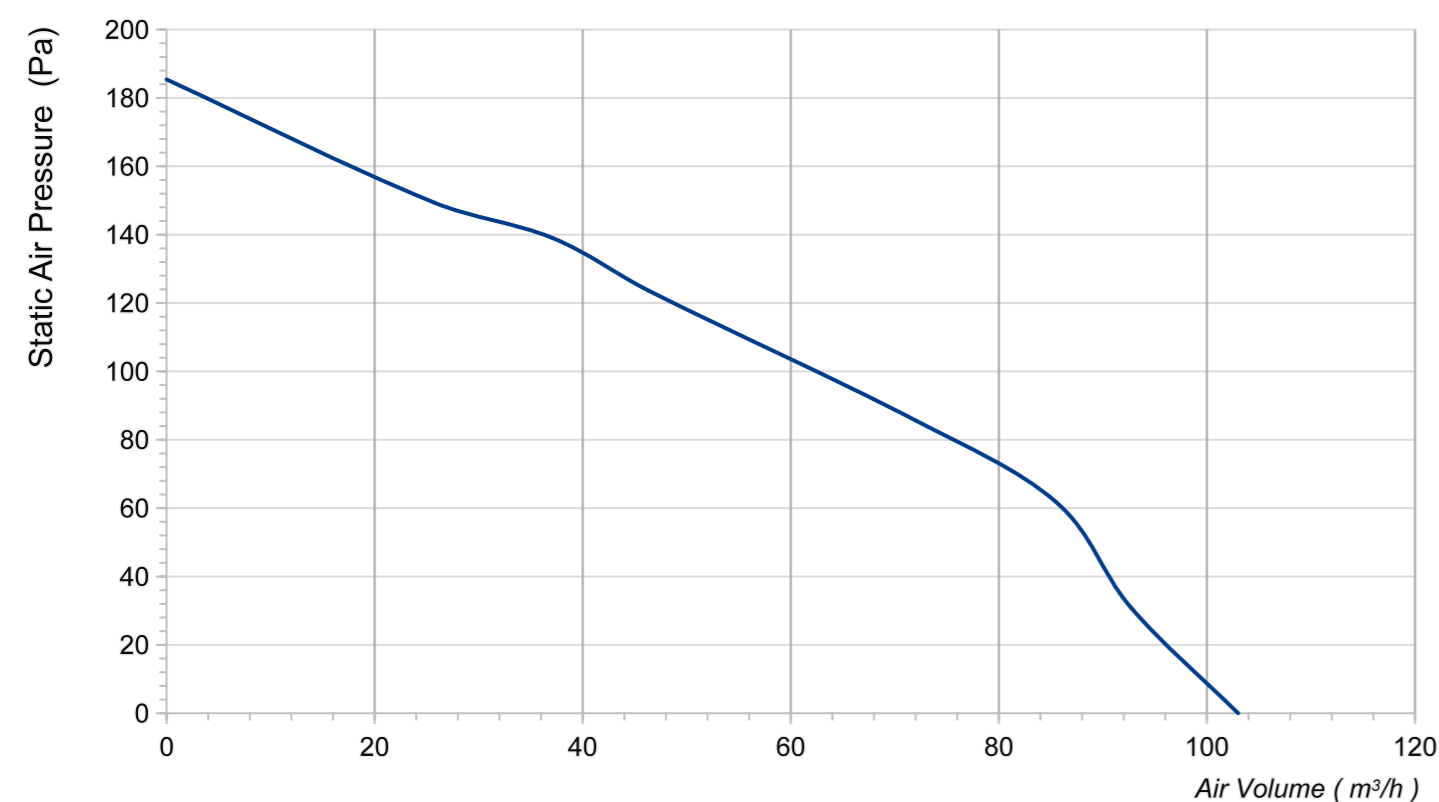
Product Characteristic

- Insulation class: H
- Housing & impeller: Aluminized sheet steel
- Flue temperature: ≤180 °C (continuous)
≤240 °C (instantaneous)
- Motor anti-vibration mounted
- Mounting position must be specified for corresponding support elements

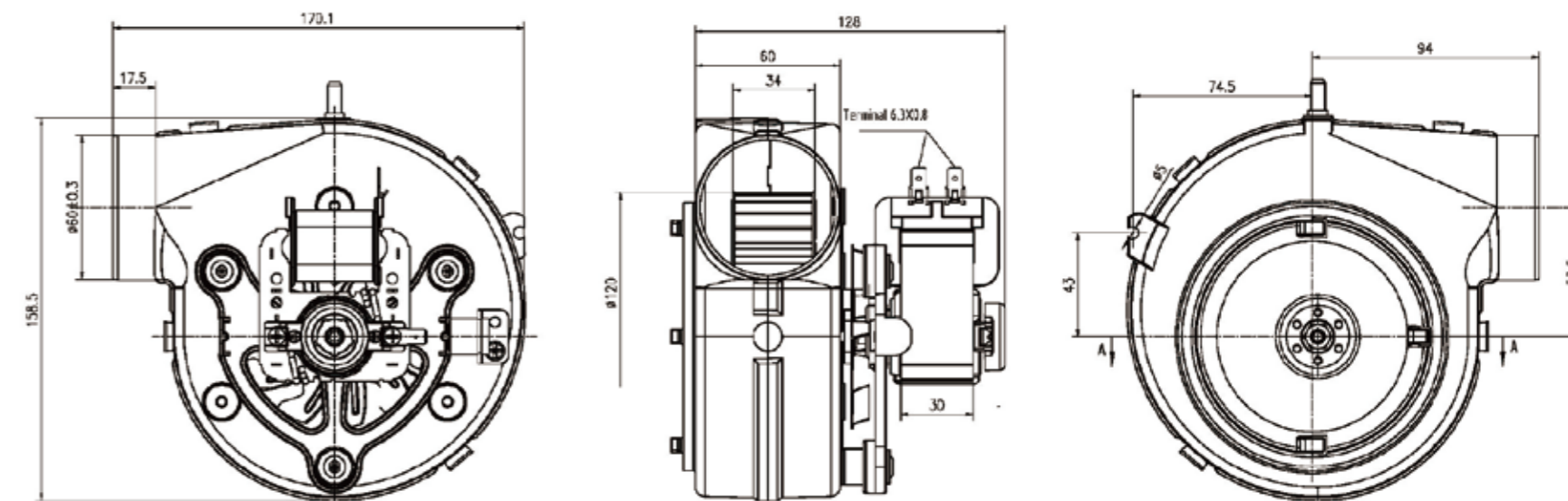


Technical Specifications

Model	Voltage (V)	Frequency (Hz)	Power (W)	Current (A)	Speed (RPM)	Air Volume (m³/h)	Air Pressure (Pa)
LWGA120S-04	220	50	47	0.4	1500	103	185



Product Drawing (mm)



LWGA120 Series

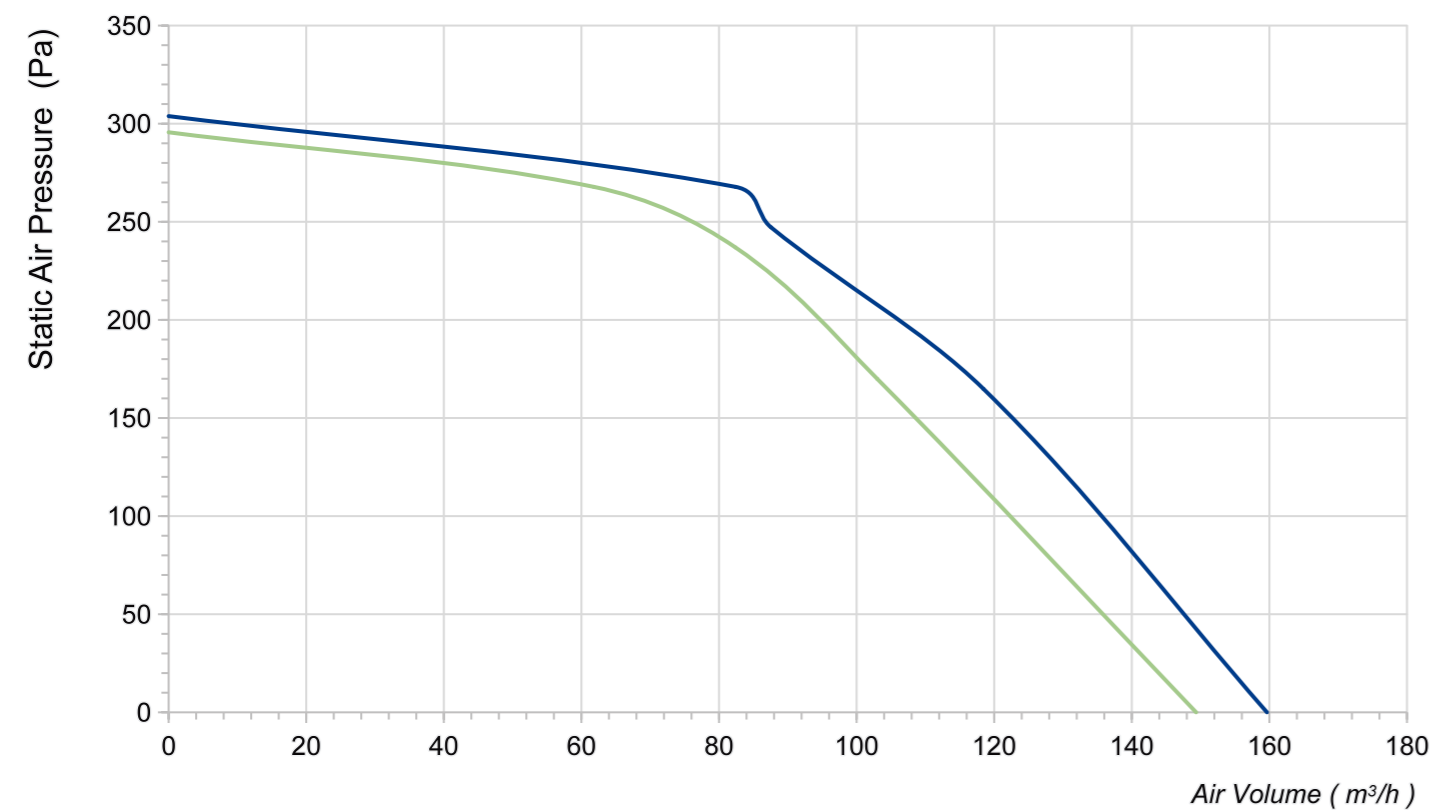
Product Characteristic

- Insulation class: H
- Housing & impeller: Aluminized casting
- Flue temperature: ≤180 °C (continuous)
≤240 °C (instantaneous)
- Motor anti-vibration mounted
- Mounting position must be specified for corresponding support elements

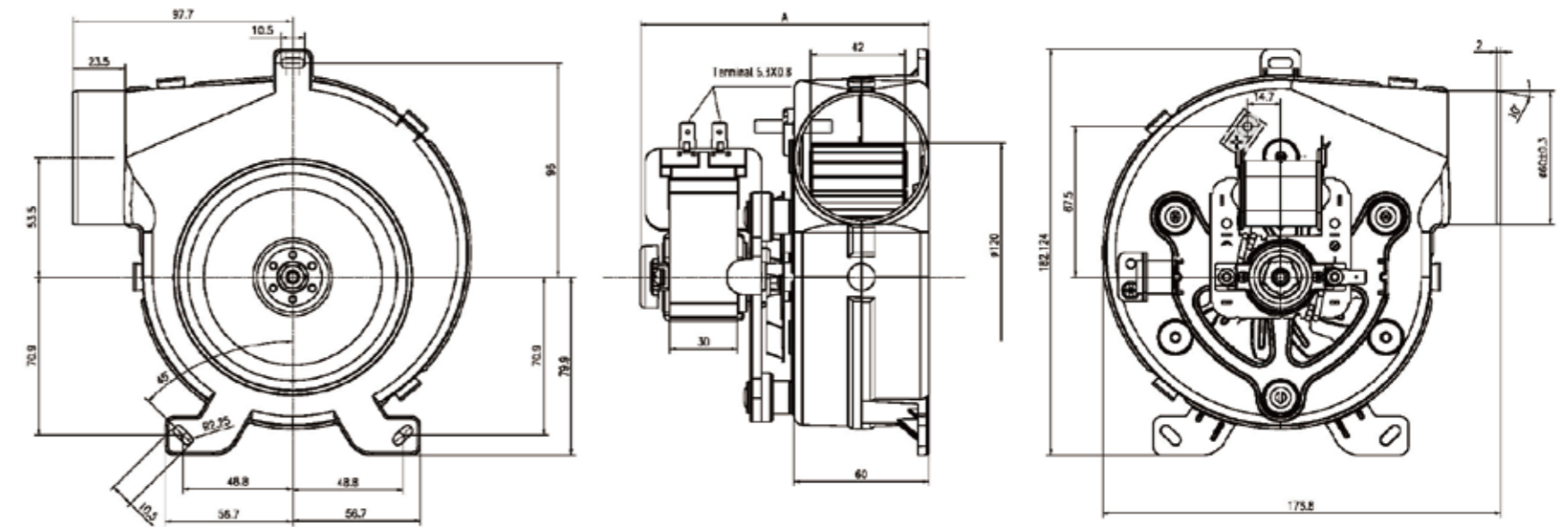


Technical Specifications

Model	Voltage (V)	Frequency (Hz)	Power (W)	Current (A)	Speed (RPM)	Air Volume (m³/h)	Air Pressure (Pa)	Diameter A (mm)
LWGA120S-05	230	50	60	0.42	1650	160	304	130
LWGA120S-06	230	50	39	0.35	1400	149	296	125



Product Drawing (mm)



LWGA120 Series

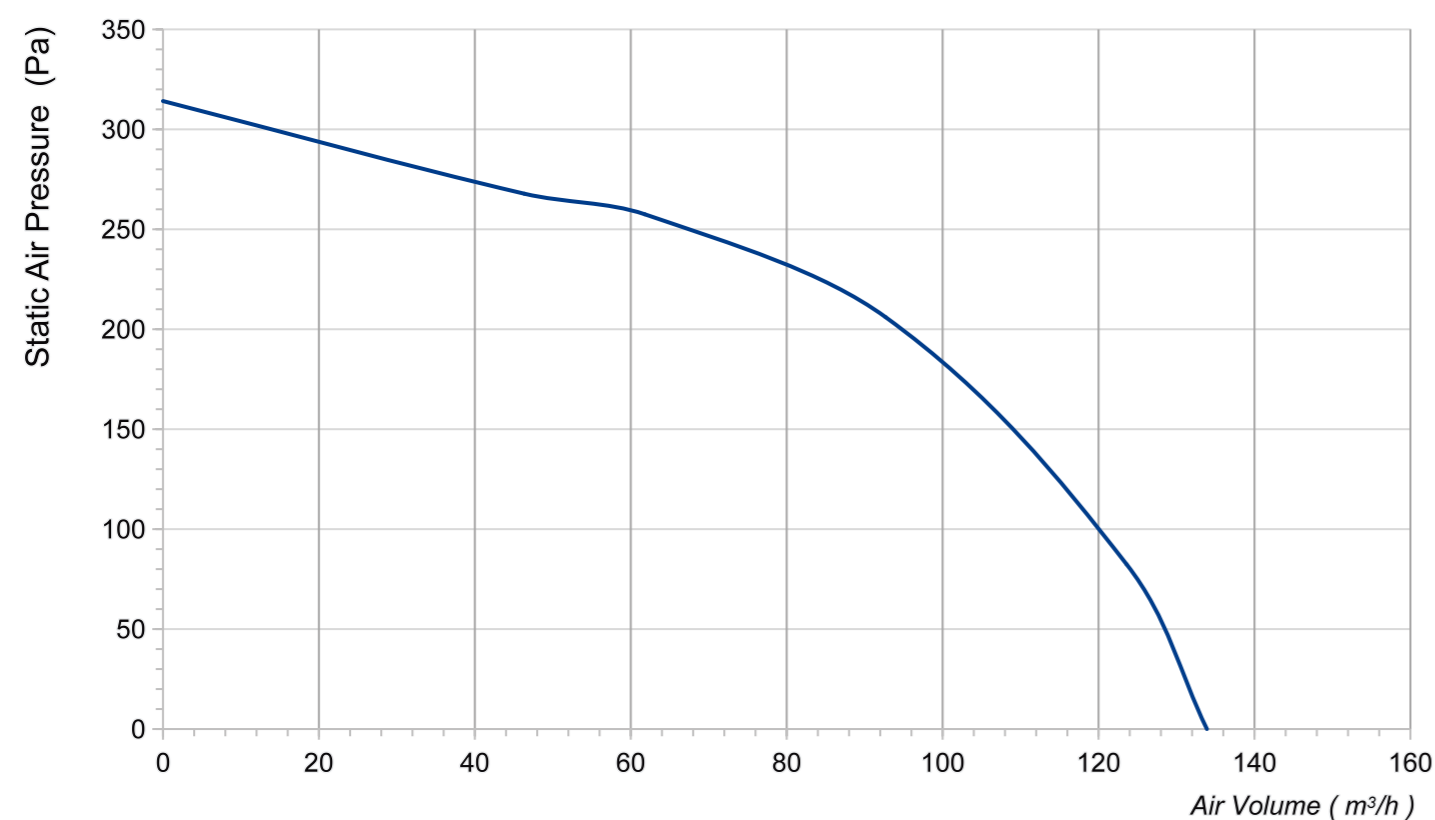
Product Characteristic

- Insulation class: H
- Housing & impeller: Aluminized casting
- Flue temperature: ≤180 °C (continuous)
≤240 °C (instantaneous)
- Motor anti-vibration mounted
- Mounting position must be specified for corresponding support elements

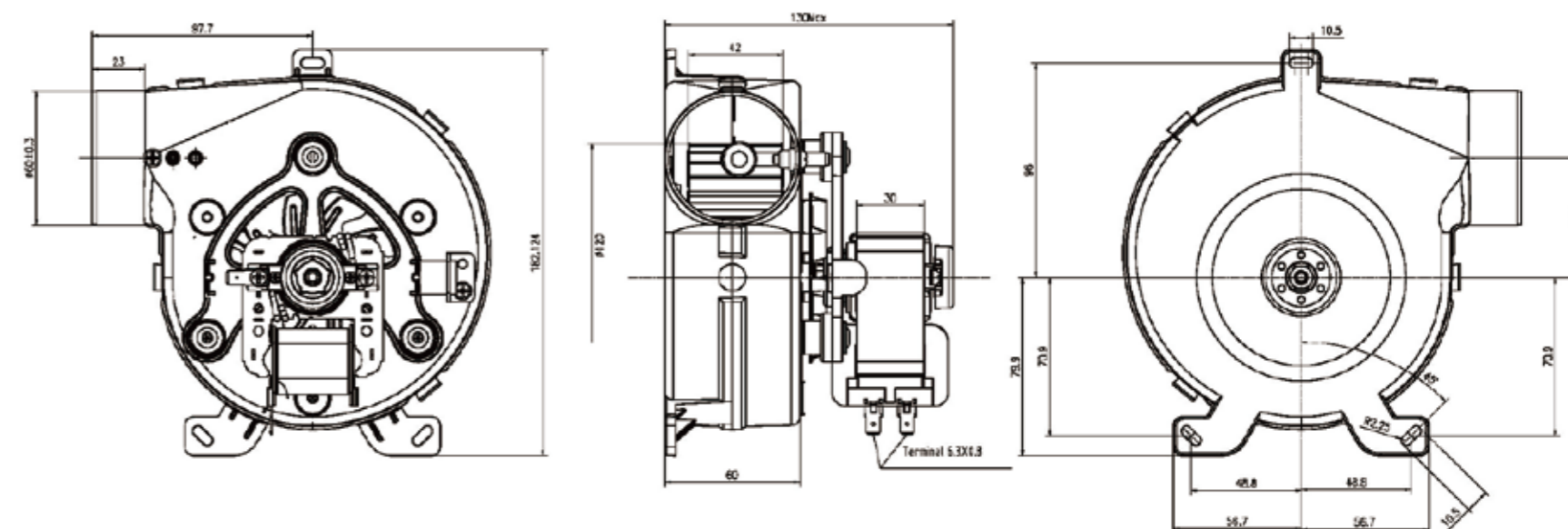


Technical Specifications

Model	Voltage (V)	Frequency (Hz)	Power (W)	Current (A)	Speed (RPM)	Air Volume (m³/h)	Air Pressure (Pa)
LWGA120S-07	220	50	56	0.5	1800	134	314



Product Drawing (mm)



LWGA133 Series

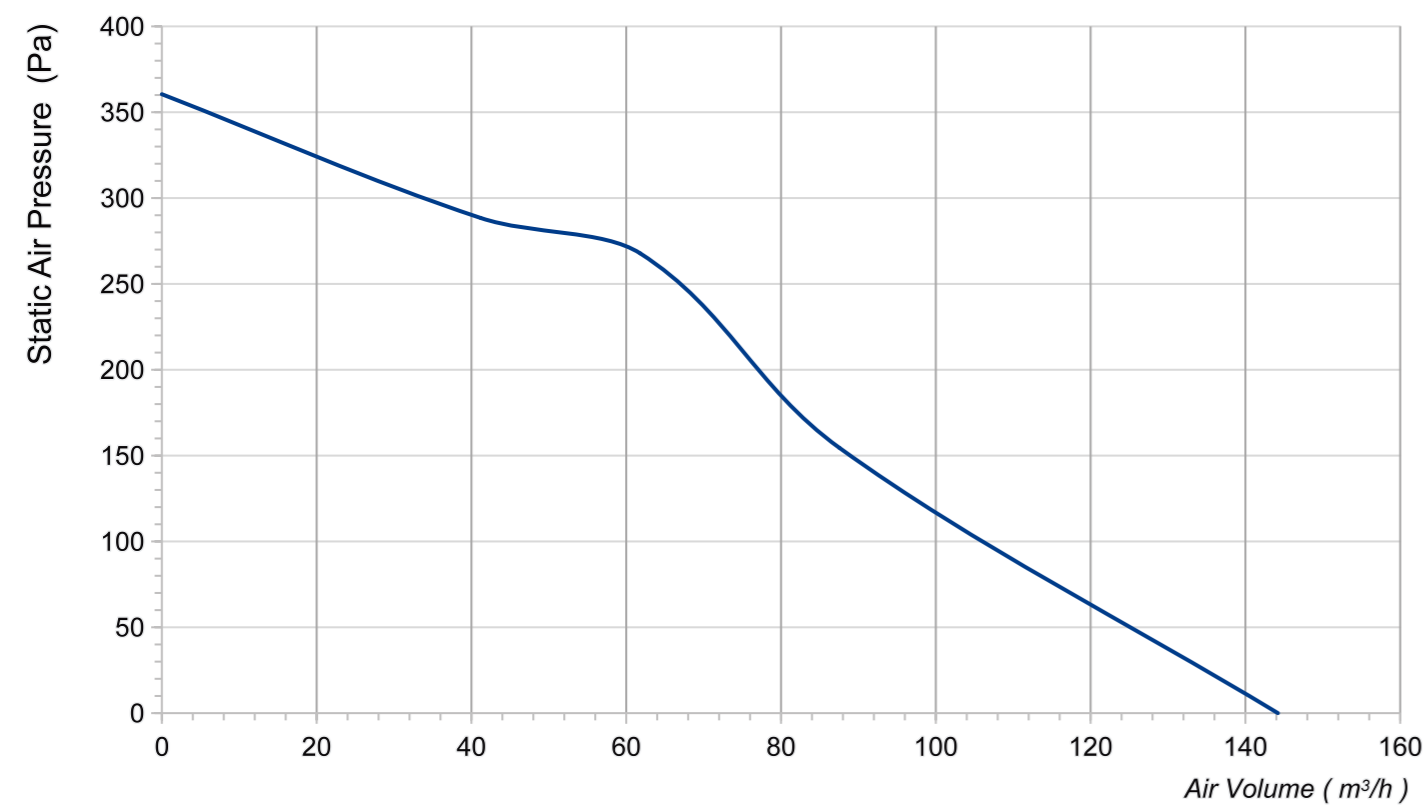
Product Characteristic

- Insulation class: H
- Housing & impeller: Aluminized sheet steel
- Flue temperature: ≤180 °C (continuous)
≤240 °C (instantaneous)
- Motor anti-vibration mounted
- Mounting position must be specified for corresponding support elements

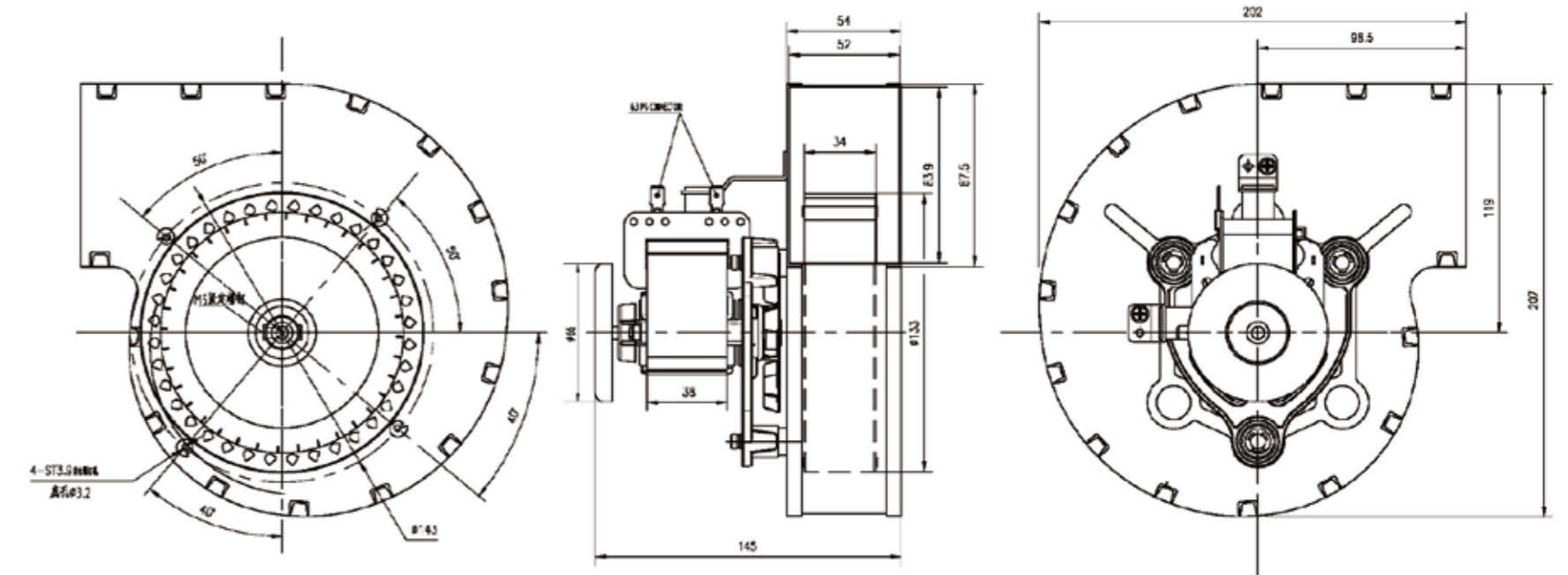


Technical Specifications

Model	Voltage (V)	Frequency (Hz)	Power (W)	Current (A)	Speed (RPM)	Air Volume (m³/h)	Air Pressure (Pa)
LWGA133S-01	220	50	65	0.6	1350	144	361



Product Drawing (mm)



LWGA150 Series (Exhaust Blower)

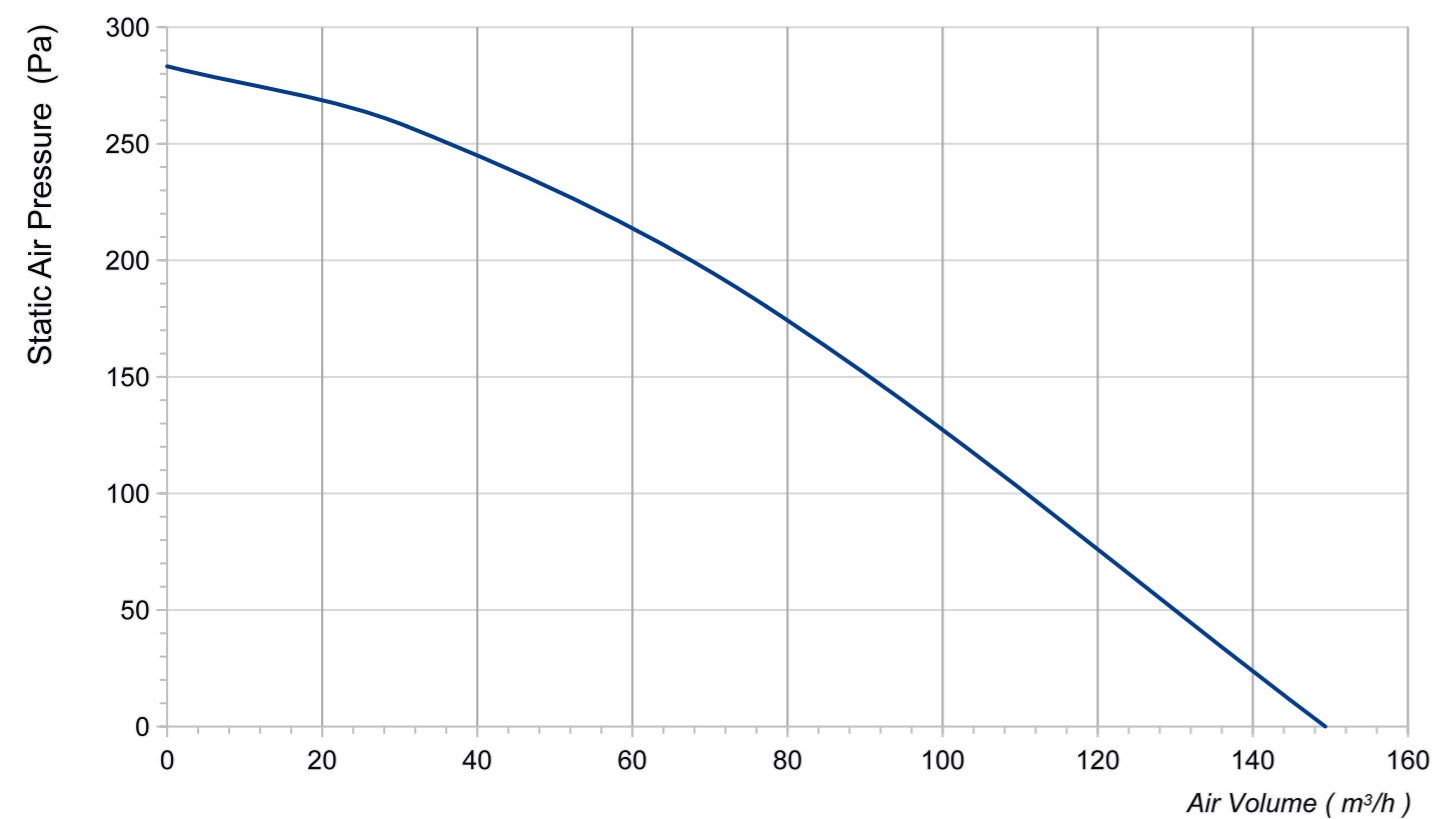
Product Characteristic

- Insulation class: H
- Housing & impeller: Aluminum Casting & stainless steel
- Flue temperature: $\leq 250\text{ }^{\circ}\text{C}$
- Motor anti-vibration mounted/With speed encoder
- Mounting position must be specified for corresponding support elements

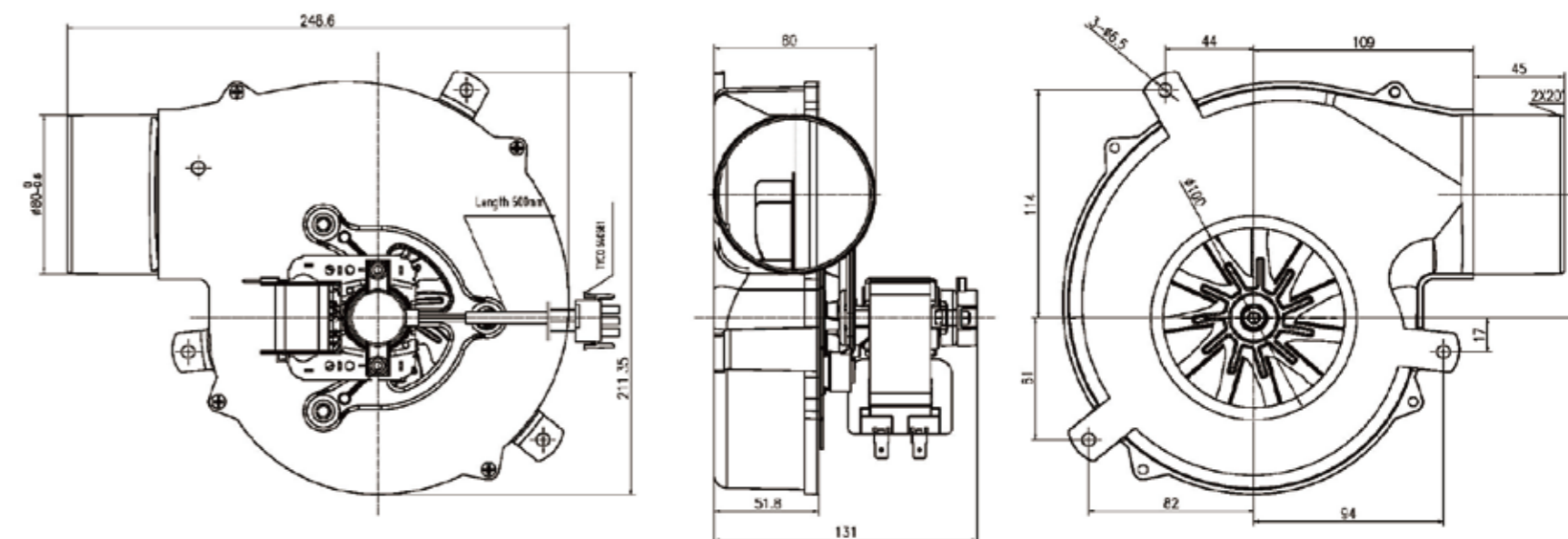


Technical Specifications

Model	Voltage (V)	Frequency (Hz)	Power (W)	Current (A)	Speed (RPM)	Air Volume (m³/h)	Air Pressure (Pa)
LWGA150S-01	230	50	50	0.47	2500	149	283



Product Drawing (mm)



LWGA180 Series

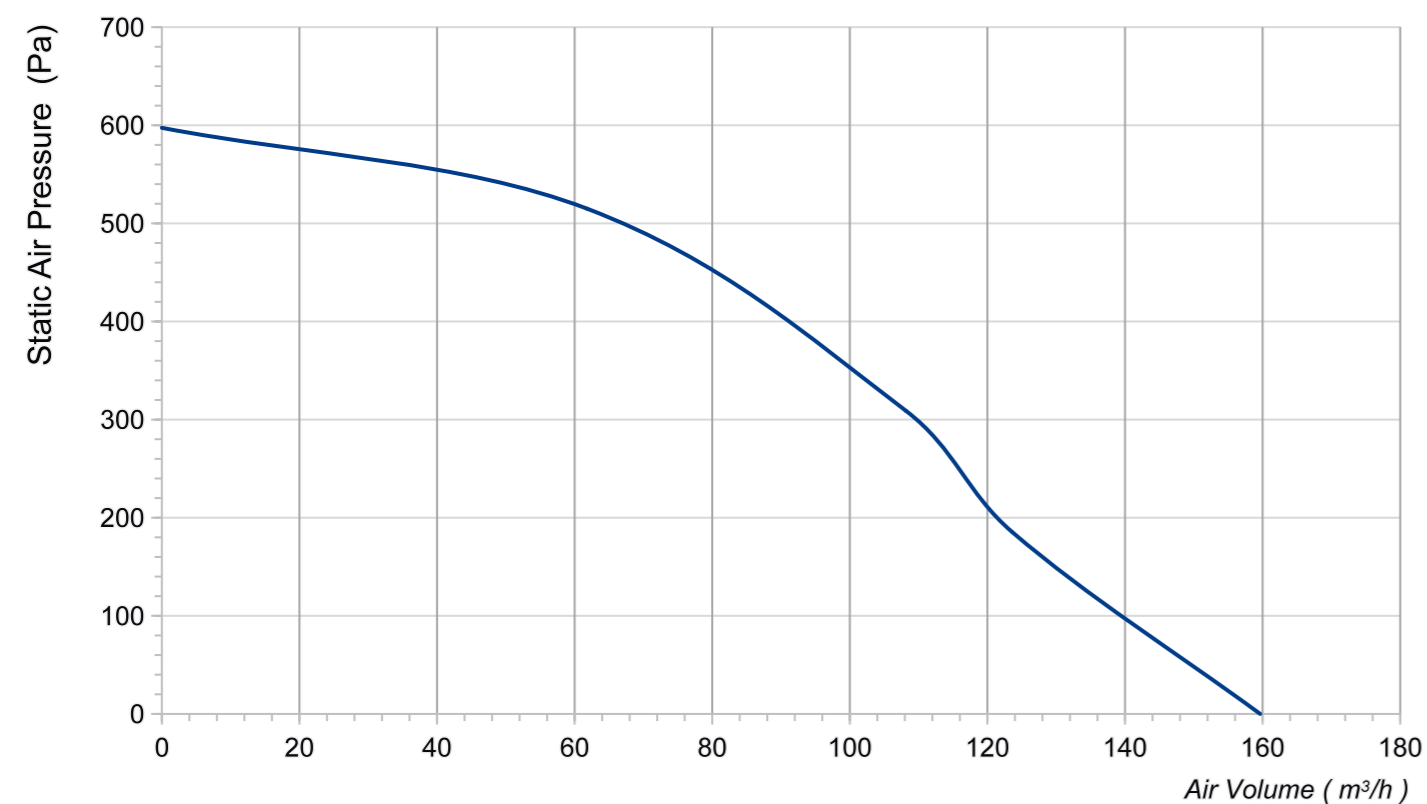
Product Characteristic

- Insulation class: H
- Housing & impeller: Aluminized sheet steel
- Flue temperature: ≤180 °C (continuous)
≤240 °C (instantaneous)
- Motor anti-vibration mounted
- With speed encoder



Technical Specifications

Model	Voltage (V)	Frequency (Hz)	Power (W)	Current (A)	Speed (RPM)	Air Volume (m³/h)	Air Pressure (Pa)
LWGA180S-01	240	50	75	0.6	2300	160	597



Product Drawing (mm)

