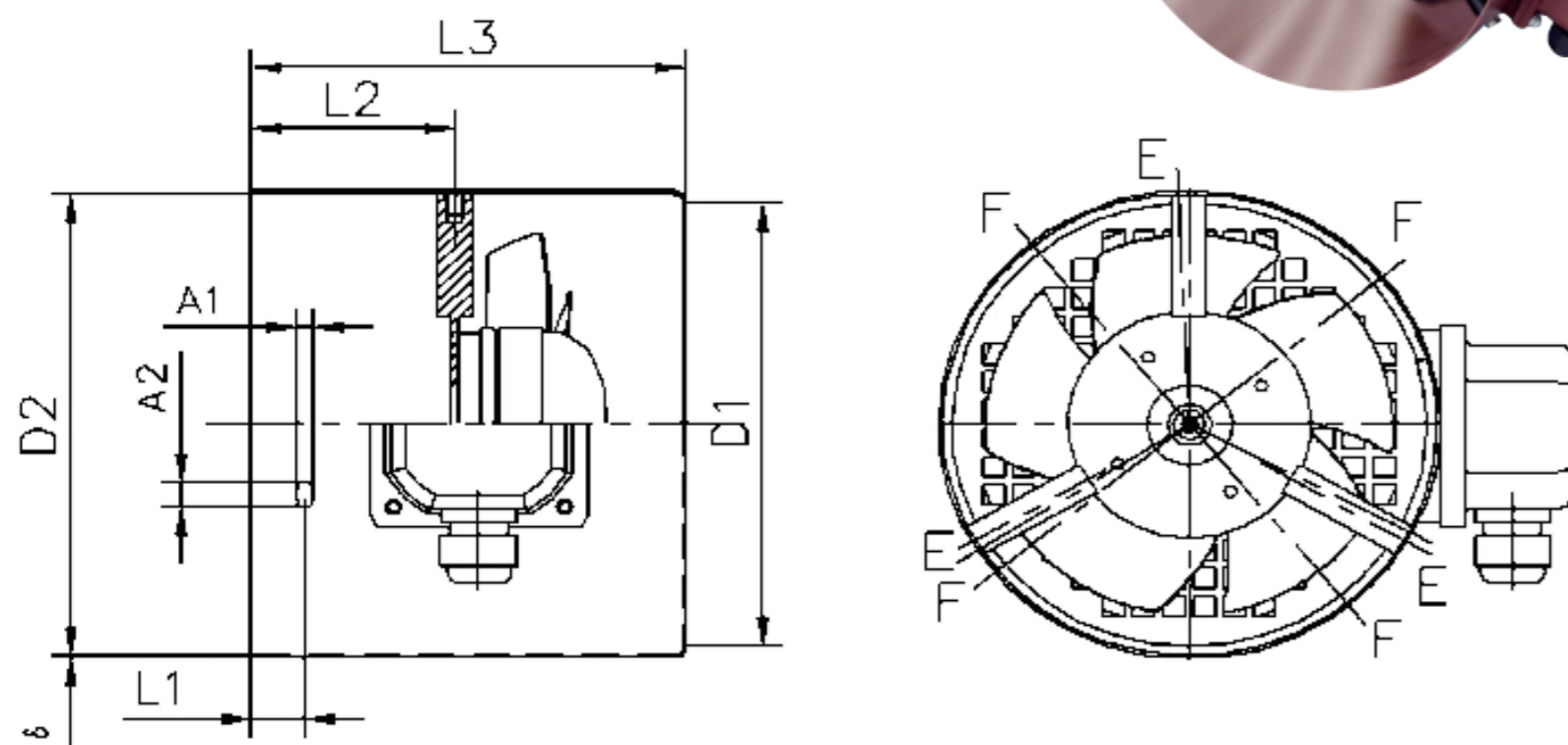
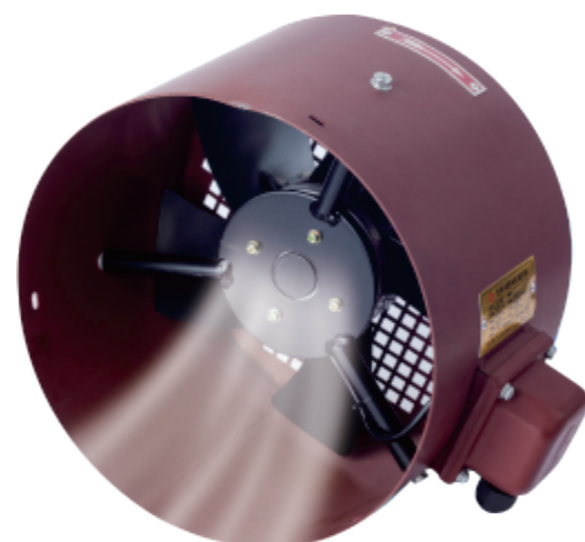


# G Series Variable Frequency Motor Exhaust Fan



## Dimension Table

Unit:mm

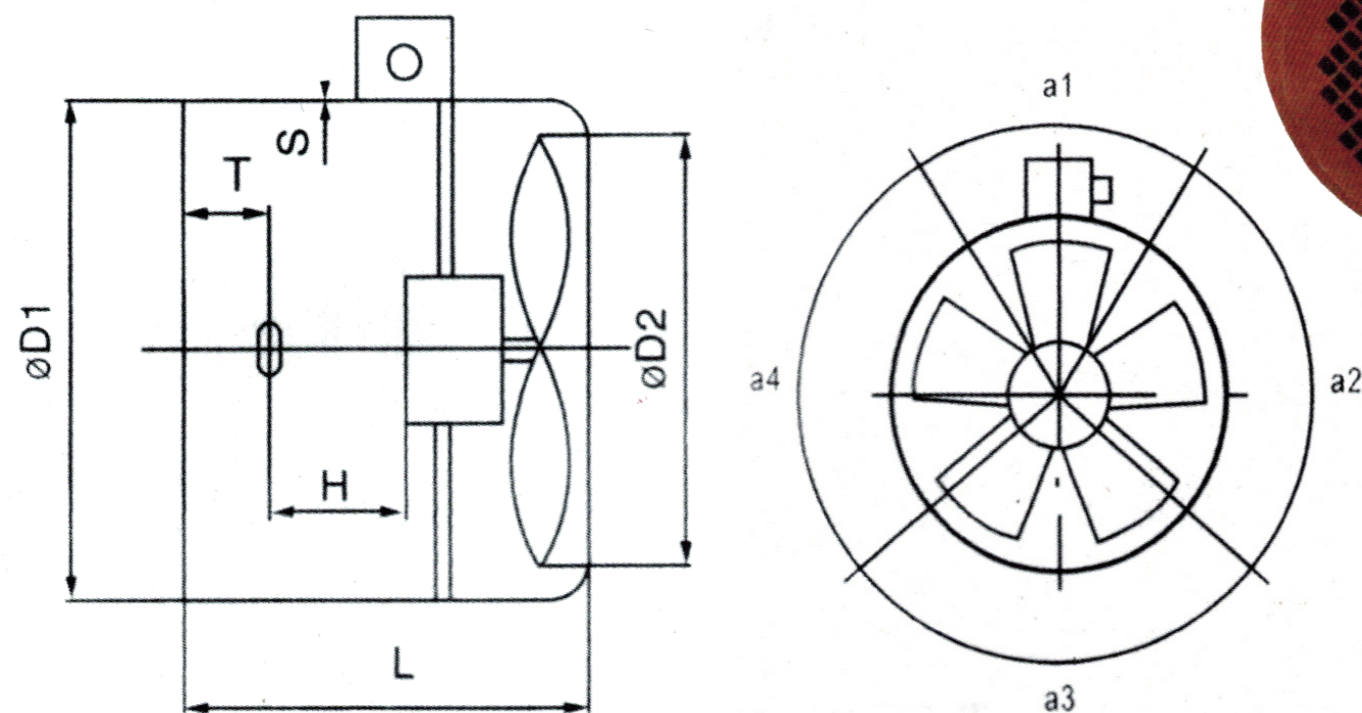
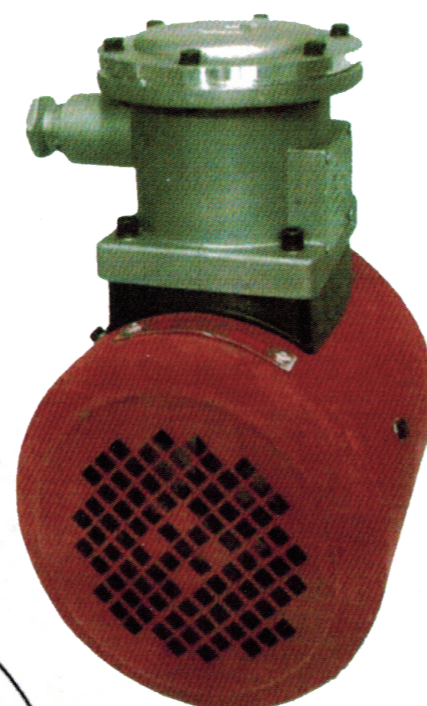
| Model   | D1  | D2  | L1 | L2  | L3  | δ   | A1  | A2   |
|---------|-----|-----|----|-----|-----|-----|-----|------|
| LW-G63  | 90  | 122 | 10 | 58  | 133 | 1   | 6   | 10   |
| LW-G71  | 102 | 137 | 12 | 59  | 134 | 1.2 | 6   | 10   |
| LW-G80  | 124 | 154 | 14 | 57  | 137 | 1.2 | 6   | 10   |
| LW-G90  | 145 | 173 | 15 | 57  | 148 | 1.2 | 6   | 10   |
| LW-G100 | 165 | 194 | 16 | 77  | 170 | 1.5 | 6   | 10   |
| LW-G112 | 165 | 217 | 16 | 84  | 170 | 1.5 | 6   | 10   |
| LW-G132 | 229 | 257 | 16 | 89  | 182 | 1.5 | 6   | 10   |
| LW-G160 | 293 | 312 | 21 | 108 | 216 | 2   | 7.2 | 15   |
| LW-G180 | 293 | 356 | 36 | 114 | 222 | 2   | 7.2 | 15   |
| LW-G200 | 293 | 394 | 40 | 207 | 337 | 2   | 7.2 | 15   |
| LW-G225 | 400 | 440 | 45 | 156 | 295 | 2   | 9   | 15   |
| LW-G250 | 435 | 482 | 55 | 167 | 323 | 2   | 9   | 15   |
| LW-G280 | 500 | 545 | 65 | 170 | 328 | 2   | 11  | 20   |
| LW-G315 | 560 | 614 | 75 | 205 | 380 | 2   | 11  | 20   |
| LW-G355 | 600 | 705 | 80 | 295 | 523 | 2.4 | 11  | 24.5 |

## Technical Parameters

| Model    | Voltage (v) | Frequency (Hz) | Phase | Power (w) | Current (A) | Speed (RPM) | Air flow (m³/h) | Noise (dBA) | Capacitor (uF/V) |
|----------|-------------|----------------|-------|-----------|-------------|-------------|-----------------|-------------|------------------|
| LW-G63T  | 380         | 50             | 3     | 23        | 0.07        | 2800        | 300             | 60          | /                |
| LW-G71T  | 380         | 50             | 3     | 25        | 0.07        | 2800        | 360             | 61          | /                |
| LW-G80T  | 380         | 50             | 3     | 30        | 0.07        | 2600        | 450             | 62          | /                |
| LW-G90T  | 380         | 50             | 3     | 35        | 0.08        | 2600        | 500             | 63          | /                |
| LW-G100T | 380         | 50             | 3     | 38        | 0.09        | 2600        | 600             | 64          | /                |
| LW-G112T | 380         | 50             | 3     | 40        | 0.1         | 2500        | 660             | 65          | /                |
| LW-G132T | 380         | 50             | 3     | 40        | 0.1         | 1400        | 780             | 60          | /                |
| LW-G160T | 380         | 50             | 3     | 80        | 0.2         | 1400        | 1100            | 65          | /                |
| LW-G180T | 380         | 50             | 3     | 80        | 0.2         | 1400        | 1200            | 66          | /                |
| LW-G200T | 380         | 50             | 3     | 150       | 0.38        | 1300        | 2500            | 67          | /                |
| LW-G225T | 380         | 50             | 3     | 180       | 0.45        | 1300        | 4200            | 68          | /                |
| LW-G250T | 380         | 50             | 3     | 180       | 0.45        | 1300        | 4860            | 69          | /                |
| LW-G280T | 380         | 50             | 3     | 250       | 0.52        | 1300        | 6600            | 70          | /                |
| LW-G315T | 380         | 50             | 3     | 500       | 0.95        | 1300        | 11100           | 72          | /                |
| LW-G355T | 380         | 50             | 3     | 820       | 1.6         | 1300        | 13200           | 73          | /                |

| Model    | Voltage (v) | Frequency (Hz) | Phase | Power (w) | Current (A) | Speed (RPM) | Air flow (m³/h) | Noise (dBA) | Capacitor (uF/V) |
|----------|-------------|----------------|-------|-----------|-------------|-------------|-----------------|-------------|------------------|
| LW-G63S  | 220         | 50             | 1     | 23        | 0.13        | 2500        | 300             | 60          | 0.8/500          |
| LW-G71S  | 220         | 50             | 1     | 25        | 0.14        | 2600        | 360             | 61          | 0.8/500          |
| LW-G80S  | 220         | 50             | 1     | 30        | 0.15        | 2500        | 450             | 62          | 0.8/500          |
| LW-G90S  | 220         | 50             | 1     | 35        | 0.16        | 2600        | 500             | 63          | 0.8/500          |
| LW-G100S | 220         | 50             | 1     | 38        | 0.17        | 2600        | 600             | 64          | 1/500            |
| LW-G112S | 220         | 50             | 1     | 40        | 0.18        | 2500        | 660             | 65          | 1/500            |
| LW-G132S | 220         | 50             | 1     | 40        | 0.2         | 1400        | 780             | 60          | 1/500            |
| LW-G160S | 220         | 50             | 1     | 80        | 0.4         | 1400        | 1100            | 65          | 2.4/450          |
| LW-G180S | 220         | 50             | 1     | 80        | 0.4         | 1400        | 1200            | 66          | 2.4/450          |
| LW-G200S | 220         | 50             | 1     | 150       | 0.7         | 1360        | 2500            | 67          | 5/500            |
| LW-G225S | 220         | 50             | 1     | 180       | 0.8         | 1400        | 4200            | 68          | 6/450            |
| LW-G250S | 220         | 50             | 1     | 180       | 0.8         | 1350        | 4860            | 69          | 6/450            |
| LW-G280S | 220         | 50             | 1     | 250       | 1.15        | 1350        | 6600            | 70          | 8/450            |
| LW-G315S | 220         | 50             | 1     | 500       | 2           | 1300        | 11100           | 72          | 12/500           |
| LW-G355S | 220         | 50             | 1     | 820       | 3           | 1300        | 13200           | 73          | 16/500           |

# BG Series Variable Frequency Motor Exhaust Fan



## Technical Parameters

| Model    | Power (W) | Current (A) | Speed (r/min) | Air Flow (m <sup>3</sup> /h) | Air pressure (Pa) | Noise (dBA) |
|----------|-----------|-------------|---------------|------------------------------|-------------------|-------------|
| LW-BG71  | 30        | 0.05        | 2800          | 320                          | 48                | 50          |
| LW-BG80  | 35        | 0.08        | 2800          | 350                          | 60                | 50          |
| LW-BG90  | 50        | 0.08        | 2800          | 500                          | 80                | 52          |
| LW-BG100 | 65        | 0.1         | 2800          | 650                          | 85                | 55          |
| LW-BG112 | 70        | 0.12        | 2800          | 1000                         | 110               | 57          |
| LW-BG132 | 80        | 0.15        | 2800          | 1100                         | 120               | 59          |
| LW-BG160 | 90        | 0.33        | 2800          | 1700                         | 150               | 60          |
| LW-BG180 | 90        | 0.33        | 2800          | 1800                         | 140               | 60          |
| LW-BG200 | 180       | 0.65        | 1400          | 3000                         | 92                | 60          |
| LW-BG225 | 180       | 0.65        | 1400          | 3200                         | 90                | 62          |
| LW-BG250 | 370       | 1.12        | 1400          | 4000                         | 105               | 63          |
| LW-BG280 | 370       | 1.12        | 1400          | 5500                         | 120               | 65          |
| LW-BG315 | 800       | 1.93        | 1400          | 6000                         | 150               | 67          |
| LW-BG355 | 800       | 1.93        | 1400          | 6200                         | 150               | 69          |

## Dimension Table

Unit:mm

| Model    | D1      | T      | a1    | a2      | a3    | a4      | H       | L   | D2  | S   |
|----------|---------|--------|-------|---------|-------|---------|---------|-----|-----|-----|
| LW-BG71  | 134/140 | 12     | 90    | 90      | 90    | 90      | 35      | 150 | 124 | 1.5 |
| LW-BG80  | 154     | 12     | 90    | 90      | 90    | 90      | 35      | 150 | 145 | 1.5 |
| LW-BG90  | 176     | 14.4   | 90    | 90      | 90    | 90      | 37      | 160 | 165 | 1.5 |
| LW-BG100 | 198     | 14     | 90    | 90      | 90    | 90      | 50      | 168 | 185 | 1.5 |
| LW-BG112 | 220     | 20     | 71/60 | 109/120 | 71/60 | 109/120 | 65      | 185 | 205 | 1.5 |
| LW-BG132 | 260     | 20     | 72/60 | 108/120 | 72/60 | 108/120 | 80      | 205 | 250 | 1.5 |
| LW-BG160 | 310     | 25     | 72/60 | 108/120 | 72/60 | 108/120 | 65      | 240 | 290 | 2   |
| LW-BG180 | 355     | 35     | 60    | 120     | 60    | 120     | 95      | 285 | 330 | 2   |
| LW-BG200 | 394     | 38/44  | 60    | 120     | 60    | 120     | 96      | 300 | 370 | 2   |
| LW-BG225 | 442     | 52/45  | 90    | 90      | 90    | 90      | 100     | 330 | 420 | 2   |
| LW-BG250 | 483     | 68     | 90    | 90      | 90    | 90      | 110     | 340 | 460 | 2   |
| LW-BG280 | 543     | 45     | 90    | 90      | 90    | 90      | 120     | 380 | 520 | 2   |
| LW-BG315 | 694     | 130/75 | 90    | 90      | 90    | 90      | 110/165 | 430 | 580 | 2   |
| LW-BG355 | 616/734 | 130/75 | 90    | 90      | 90    | 90      | 110/165 | 440 | 650 | 2   |