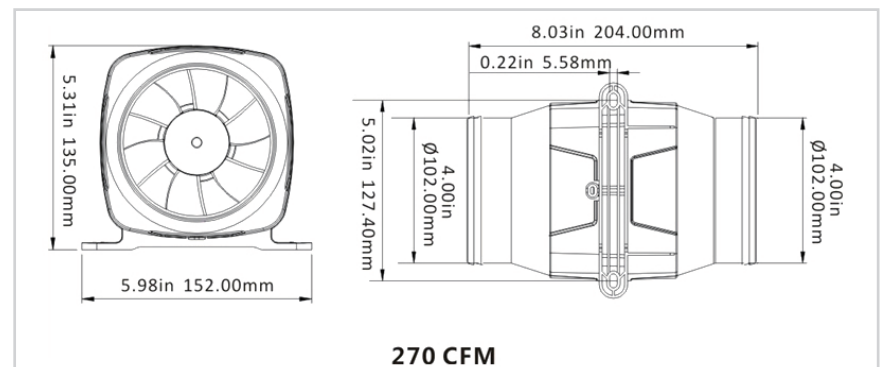
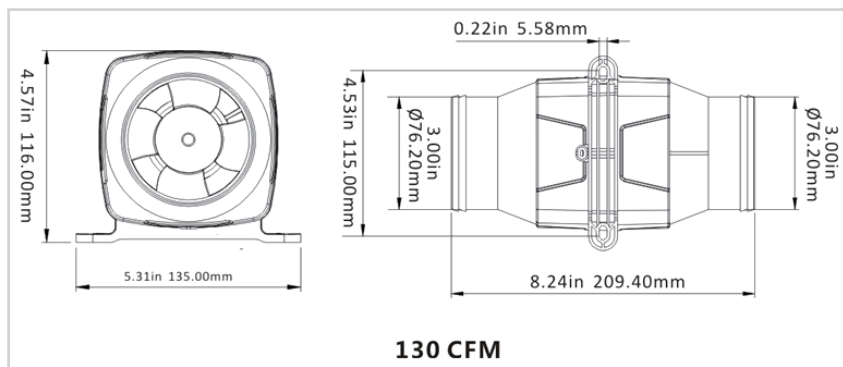


Anti-corrosion High Speed Air Exchange Duct Fan

- Ventilation in bilge, engine compartment, kitchen and toilet
- Ventilation of bullet trains, buses, etc. (soot from engine room and bathroom)
- Sunlight sheds and building ventilation
- Main product performance:
 Can be installed horizontally and vertically, Low current, large air volume, long life. 4 bladed impeller ensures high air volume
 Moisture-proof, good sealing performance Anti-corrosion ABS plastic housing



Technical Parameters

Model	Voltage (v)	Air flow (m³/h)	Current (A)	Fuse wire (A)	Size	Package size (mm)	N.W/G.W (kg)
LWDD-76(3")L-PWN-01	12	130/220	2.5	5	3"/76	215x137x120	0.45/0.60
LWDD-76(3")M-PWN-02	24	130/220	1.3	3	3"/76	215x137x120	0.45/0.60
LWDD-102(4")L-PWN-12	12	270/456	6	10	4"/102	207x154x114	0.70/0.90
LWDD-102(4")M-PWN-13	24	270/456	3	5	4"/102	207x154x114	0.70/0.90