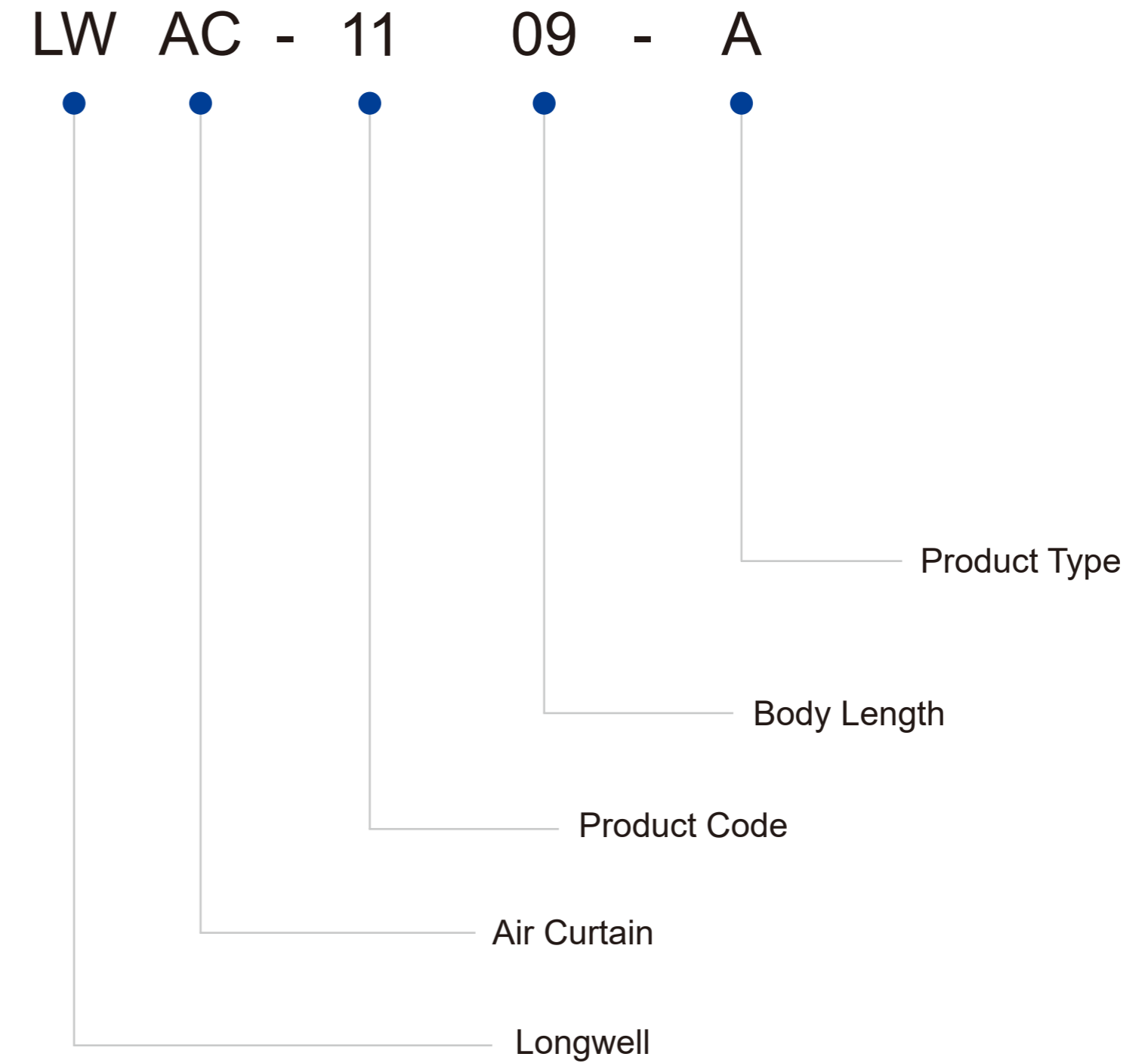


# Air Curtain

Professional HVAC Fan & Motors Manufacturer



## Type Code



## Air Curtain

### • Product Introduction

Air curtain machine, also known as the wind curtain machine, as the name suggests is the air door, is more popular in recent years, a novel modern decoration high-end products. Hotels, cinemas, hospitals, hotels, cold storage and factory laboratories, and other different places; excellent Lake air curtain machine reference and absorption of similar products at home and abroad of excellent quality, high efficiency, high efficiency, high efficiency, Design and advanced technology, but also improve the existing part of the existing product defects, stylish and beautiful appearance, to meet the high wind speed and wind volume at the same time, the perfect realization of the energy saving and low noise.

## Performance Characteristics

### • Creating a comfortable indoor environment

Excellent air curtain air machine to produce high-speed air, will be divided into two independent internal and external temperature zone, to keep indoor air conditioning and air purification effect, save energy, improve air circulation, effectively isolate dust, smoke, odor, and insects And other microorganisms.

### • To prevent cold (warm) air outflow, saving energy

The continuous air door can effectively prevent the cold (warm) air outflow, save energy, the indoor and outdoor two independent temperature zone, air conditioning in the long-term operation, the auxiliary cycle to adjust the temperature, to save energy to improve the environment.

### • Dustproof, pest control effect

Longwell air curtain machine produces high-speed airflow, forming a protective door, can effectively block outdoor dust and insects invade, to keep the room clean.

### • Smoking machine harmful gas effect

Excellent air curtain air circulation system can make all corners of the room strong obstruction smoke spicy drift and industrial emissions, automobile exhaust and other harmful gases into the room.

### • Air circulation effect

In stadiums, cinemas, entertainment venues and other large space due to the uneven distribution of air-conditioning energy distribution, the excellent air curtain air circulation system function to achieve indoor temperature equilibrium.

## Simple Type Cross-Flow Air Curtain



### Technical Specifications

| Model       | Size (mm)    | Voltage (V) | Frequency (Hz) | Power(W) |     | Speed(m/s) |     | Volume(m³/s) |      | Noise(dBA) |     | Applicable Height(m) | Weight (kg) |
|-------------|--------------|-------------|----------------|----------|-----|------------|-----|--------------|------|------------|-----|----------------------|-------------|
|             |              |             |                | High     | Low | High       | Low | High         | Low  | High       | Low |                      |             |
| LWAC-1109-A | 900×155×200  | 220         | 50             | 135      | 125 | 11.5       | 9.5 | 1300         | 1050 | 60         | 58  | 3                    | 6.5         |
| LWAC-1112-A | 1200×155×200 | 220         | 50             | 175      | 160 | 11.5       | 9.5 | 1700         | 1400 | 62         | 60  | 3                    | 8.5         |
| LWAC-1115-A | 1500×155×200 | 220         | 50             | 215      | 200 | 11.5       | 9.5 | 2150         | 1800 | 64         | 62  | 3                    | 10          |
| LWAC-1118-A | 1800×155×200 | 220         | 50             | 255      | 225 | 11.5       | 9.5 | 2600         | 2100 | 66         | 64  | 3                    | 12          |

## Classic Ultra-thin Through-Flow Air Curtain



### Technical Specifications

| Model       | Size (mm)    | Voltage (V) | Frequency (Hz) | Power(W) |     | Speed(m/s) |     | Volume(m³/s) |      | Noise(dBA) |     | Applicable Height(m) | Weight (kg) |
|-------------|--------------|-------------|----------------|----------|-----|------------|-----|--------------|------|------------|-----|----------------------|-------------|
|             |              |             |                | High     | Low | High       | Low | High         | Low  | High       | Low |                      |             |
| LWAC-1109-B | 900×160×185  | 220         | 50             | 135      | 125 | 11.5       | 9.5 | 1300         | 1050 | 60         | 58  | 3                    | 7.7         |
| LWAC-1112-B | 1200×160×185 | 220         | 50             | 175      | 160 | 11.5       | 9.5 | 1700         | 1400 | 62         | 60  | 3                    | 9.4         |
| LWAC-1115-B | 1500×160×185 | 220         | 50             | 215      | 200 | 11.5       | 9.5 | 2150         | 1800 | 64         | 62  | 3                    | 11.5        |
| LWAC-1118-B | 1800×160×185 | 220         | 50             | 255      | 225 | 11.5       | 9.5 | 2600         | 2100 | 66         | 64  | 3                    | 13.6        |

## Fashion Ultra-thin Tubular Air Curtain



### Technical Specifications

| Model       | Size (mm)    | Voltage (V) | Frequency (Hz) | Power(W) |     | Speed(m/s) |     | Volume(m³/s) |      | Noise(dBA) |     | Applicable Height(m) | Weight (kg) |
|-------------|--------------|-------------|----------------|----------|-----|------------|-----|--------------|------|------------|-----|----------------------|-------------|
|             |              |             |                | High     | Low | High       | Low | High         | Low  | High       | Low |                      |             |
| LWAC-1109-C | 900×160×185  | 220         | 50             | 135      | 125 | 11.5       | 9.5 | 1300         | 1050 | 60         | 58  | 3                    | 7.8         |
| LWAC-1112-C | 1200×160×185 | 220         | 50             | 175      | 160 | 11.5       | 9.5 | 1700         | 1400 | 62         | 60  | 3                    | 9.5         |
| LWAC-1115-C | 1500×160×185 | 220         | 50             | 215      | 200 | 11.5       | 9.5 | 2150         | 1800 | 64         | 62  | 3                    | 11.5        |
| LWAC-1118-C | 1800×160×185 | 220         | 50             | 255      | 225 | 11.5       | 9.5 | 2600         | 2100 | 66         | 64  | 3                    | 13.7        |

## Fashion-type Cross-Flow Air Curtain



### Technical Specifications

| Model       | Size (mm)    | Voltage (V) | Frequency (Hz) | Power(W) |     | Speed(m/s) |     | Volume(m³/s) |      | Noise(dBA) |     | Applicable Height(m) | Weight (kg) |
|-------------|--------------|-------------|----------------|----------|-----|------------|-----|--------------|------|------------|-----|----------------------|-------------|
|             |              |             |                | High     | Low | High       | Low | High         | Low  | High       | Low |                      |             |
| LWAC-1209-B | 900×216×195  | 220         | 50             | 125      | 120 | 11.5       | 10  | 1600         | 1250 | 57         | 55  | 3                    | 11          |
| LWAC-1212-B | 1200×216×195 | 220         | 50             | 150      | 145 | 11.5       | 10  | 2100         | 1700 | 58         | 56  | 3                    | 14          |
| LWAC-1215-B | 1500×216×195 | 220         | 50             | 190      | 185 | 11.5       | 10  | 2650         | 2100 | 59         | 57  | 3                    | 16          |
| LWAC-1218-B | 1800×216×195 | 220         | 50             | 250      | 225 | 11.5       | 10  | 3200         | 2550 | 60         | 58  | 3                    | 18          |

## Classic Type Cross-Flow Air Curtain(Remote Control)



### Technical Specifications

| Model       | Size (mm)    | Voltage (V) | Frequency (Hz) | Power(W) |     | Speed(m/s) |     | Volume(m³/s) |      | Noise(dBA) |     | Applicable Height(m) | Weight (kg) |
|-------------|--------------|-------------|----------------|----------|-----|------------|-----|--------------|------|------------|-----|----------------------|-------------|
|             |              |             |                | High     | Low | High       | Low | High         | Low  | High       | Low |                      |             |
| LWAC-1209-A | 900×216×191  | 220         | 50             | 125      | 120 | 11.5       | 10  | 1600         | 1250 | 57         | 55  | 3                    | 10.8        |
| LWAC-1212-A | 1200×216×191 | 220         | 50             | 150      | 145 | 11.5       | 10  | 2100         | 1700 | 58         | 56  | 3                    | 14          |
| LWAC-1215-A | 1500×216×191 | 220         | 50             | 190      | 185 | 11.5       | 10  | 2650         | 2100 | 59         | 57  | 3                    | 15.8        |
| LWAC-1218-A | 1800×216×191 | 220         | 50             | 250      | 225 | 11.5       | 10  | 3200         | 2550 | 60         | 58  | 3                    | 18          |

## Hercules Cross-Flow Air Curtain



### Technical Specifications

| Model       | Size (mm)    | Voltage (V) | Frequency (Hz) | Power(W) |     | Speed(m/s) |      | Volume(m³/s) |      | Noise(dBA) |     | Applicable Height(m) | Weight (kg) |
|-------------|--------------|-------------|----------------|----------|-----|------------|------|--------------|------|------------|-----|----------------------|-------------|
|             |              |             |                | High     | Low | High       | Low  | High         | Low  | High       | Low |                      |             |
| LWAC-1509-A | 900×261×235  | 220         | 50             | 200      | 170 | 14.5       | 12.5 | 2700         | 2400 | 60         | 58  | 4                    | 15          |
| LWAC-1512-A | 1200×261×235 | 220         | 50             | 310      | 280 | 14.5       | 12.5 | 3700         | 3200 | 65         | 62  | 4                    | 18.8        |
| LWAC-1515-A | 1500×261×235 | 220         | 50             | 390      | 360 | 14.5       | 12.5 | 4600         | 4000 | 68         | 65  | 4                    | 24          |
| LWAC-1518-A | 1800×261×235 | 220         | 50             | 450      | 400 | 14.5       | 12.5 | 5500         | 4700 | 70         | 68  | 4                    | 27          |

## Luxury Centrifugal Air Curtain



### Technical Specifications

| Model       | Size (mm)    | Voltage (V) | Frequency (Hz) | Power (W) | Speed(m/s) |        |     | Volume(m³/s) |      | Noise(dBA) |     | Applicable Height(m) | Weight (kg) |
|-------------|--------------|-------------|----------------|-----------|------------|--------|-----|--------------|------|------------|-----|----------------------|-------------|
|             |              |             |                |           | High       | Middle | Low | High         | Low  | High       | Low |                      |             |
| LWAC-3509-A | 900×235×210  | 220         | 50             | 300       | 18         | 16     | 13  | 1200         | 800  | 56         | 51  | 4                    | 13.5        |
| LWAC-3512-A | 1200×235×210 | 220         | 50             | 400       | 18         | 16     | 13  | 1600         | 1200 | 58         | 52  | 4                    | 16.5        |
| LWAC-3515-A | 1500×235×210 | 220         | 50             | 500       | 18         | 16     | 13  | 2100         | 1500 | 60         | 54  | 4                    | 22          |
| LWAC-3518-A | 1800×235×210 | 220         | 50             | 600       | 18         | 16     | 13  | 2500         | 1800 | 60         | 58  | 4                    | 29          |

## Classic Type Electrical Heating Air Curtain

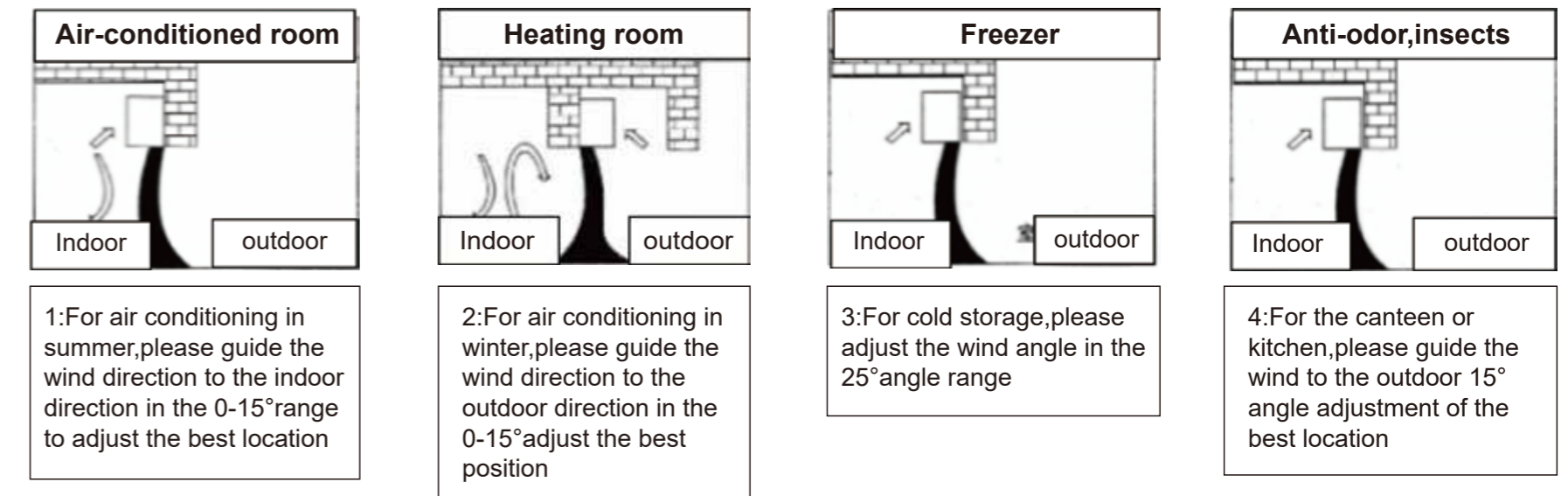


### Technical Specifications

| Model       | Size (mm)    | Voltage (V) | Frequency (Hz) | Power(W) |     | Speed(m/s) |     | Volume(m³/s) |      | Noise(dBA) |     | Applicable Height(m) | Weight (kg) |
|-------------|--------------|-------------|----------------|----------|-----|------------|-----|--------------|------|------------|-----|----------------------|-------------|
|             |              |             |                | Cold     | Hot | High       | Low | High         | Low  | High       | Low |                      |             |
| LWAC-1209-C | 900×216×191  | 380         | 50             | 92       | 8   | 8.5        | 7   | 1260         | 1070 | 55         | 52  | 3                    | 12.5        |
| LWAC-1212-C | 1200×216×191 | 380         | 50             | 135      | 12  | 8.5        | 7   | 1800         | 1530 | 56         | 53  | 3                    | 15          |
| LWAC-1215-C | 1500×216×191 | 380         | 50             | 155      | 16  | 8.5        | 7   | 2300         | 1950 | 58         | 55  | 3                    | 18.5        |

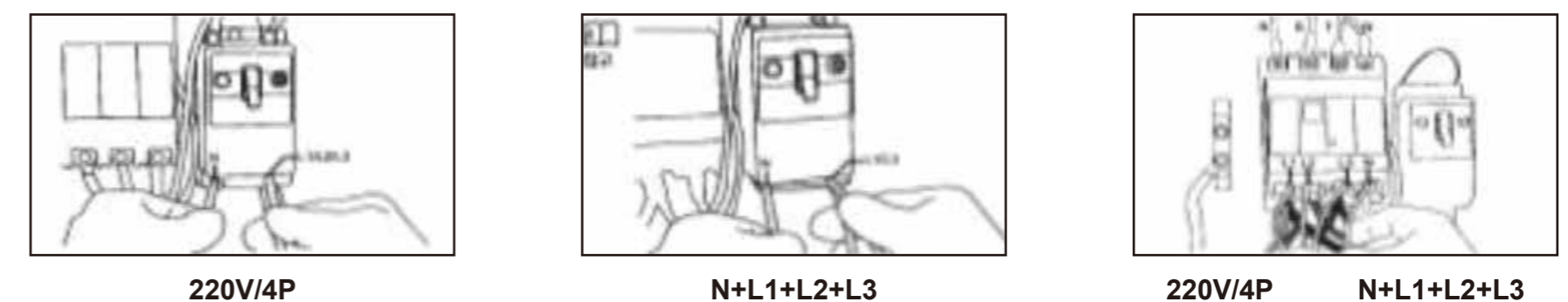
## Operation And Operation

1. Turn on the power switch
2. Select a suitable wind speed file
3. According to the use of the actual situation,adjust the outlet of the wind deflector,you can get satisfactory results (as the picture shows)



## Installation-Usage-Maintenance Precautions

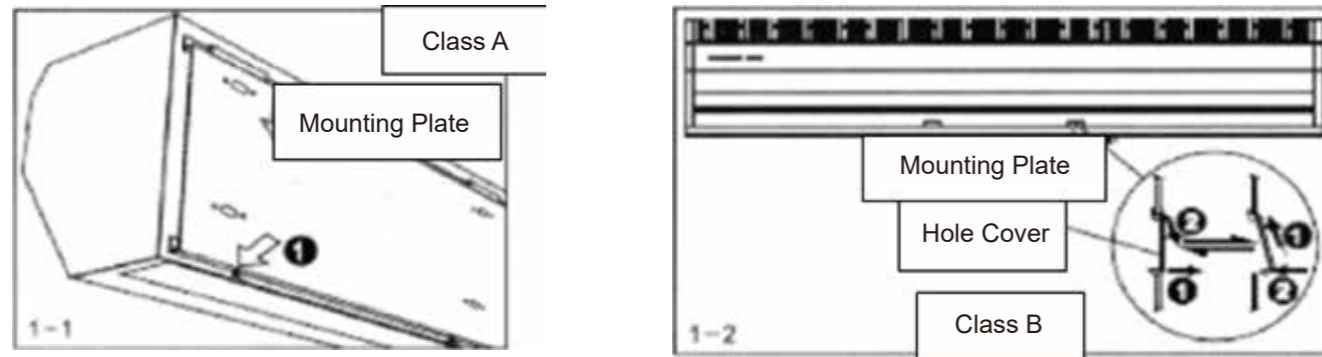
1. Before installing the air curtain,the capacity of the power supply and the cross-sectional area of the wire must be calculated by the professionals,and the power supply and the wire should be guaranteed to meet the requirements of the air curtain
2. Installed machine time can not be someone,natural wind machine installed power socket current capacity should be more than 10A,heating machine installed power outlet current should be more than 6A,try not to share in a socket with other electrical appliances
3. If the doors are wider than the width of the installation of the wind screen,you can use two or more sets of air curtain machine combination of the way to install,this situation between the two air curtain machine is best to keep 10-30mm distance
4. Do not install the air curtain machine in areas prone to splashing water and exposed to high humidity for long periods of time or near explosive gases and corrosive gases
5. Electric heating air curtain machine power,red N is the zero line,white L1,L2,L3 is the line of fire,yellow-green twocolor line is the ground,you can choose different power to determine the different temperatures.220v wiring can only be connected N,L1 white line,380V wiring can be used N line and L1,L2,L3 at the same time connected to the wiring to tighten without loosening,so as to avoid failure



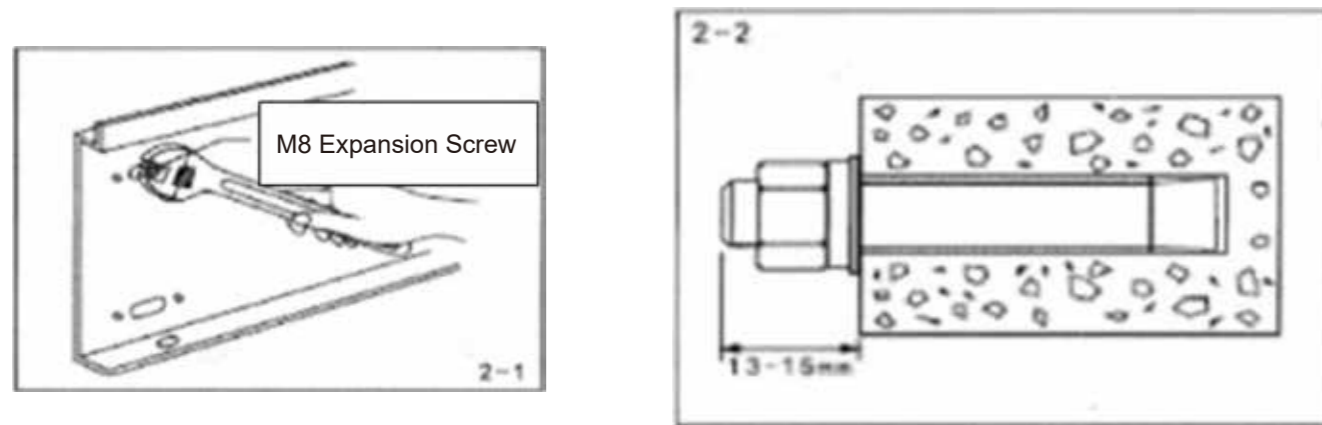
6. Heating machine shutdown do not directly cut off the power,you must use the remote control to turn off,the normal delay of 1 minute cooling,automatic power off can be

## Installation Method

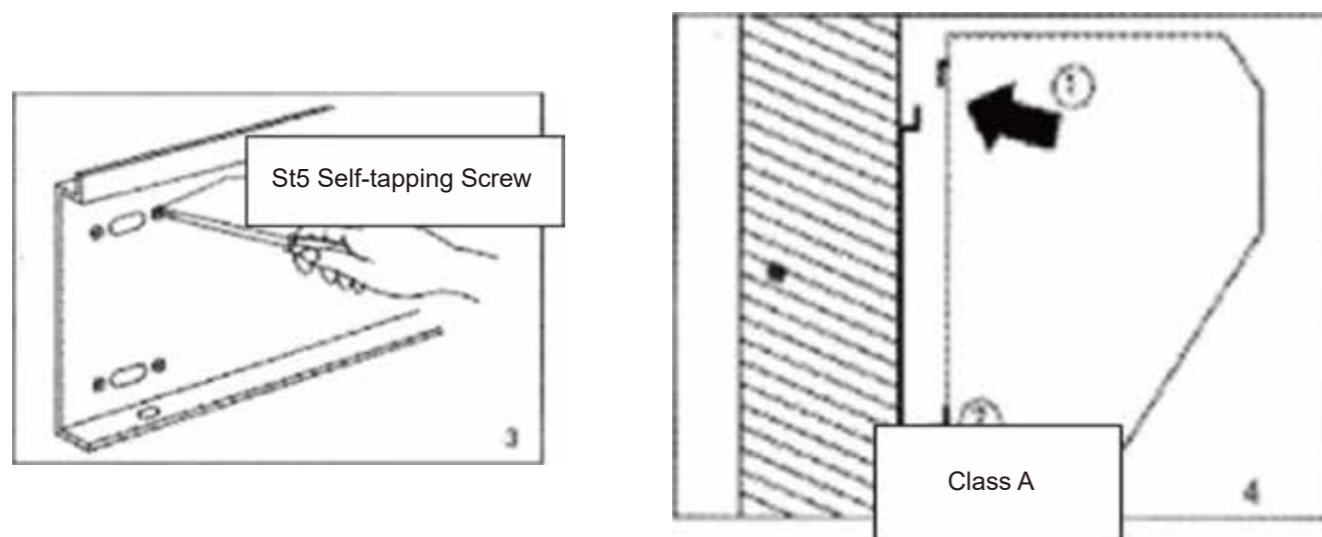
1. Remove the mounting plate from the air curtain, and remove the mounting plate by removing the mounting screws from the air curtain



2. If the installation of concrete walls or brick walls and other hard wall, the need to determine the location of the installation of the fixed screw on the wall, and then use M8 expansion wire fixed expansion of the exposed part of the wire to ensure that 10-12mm



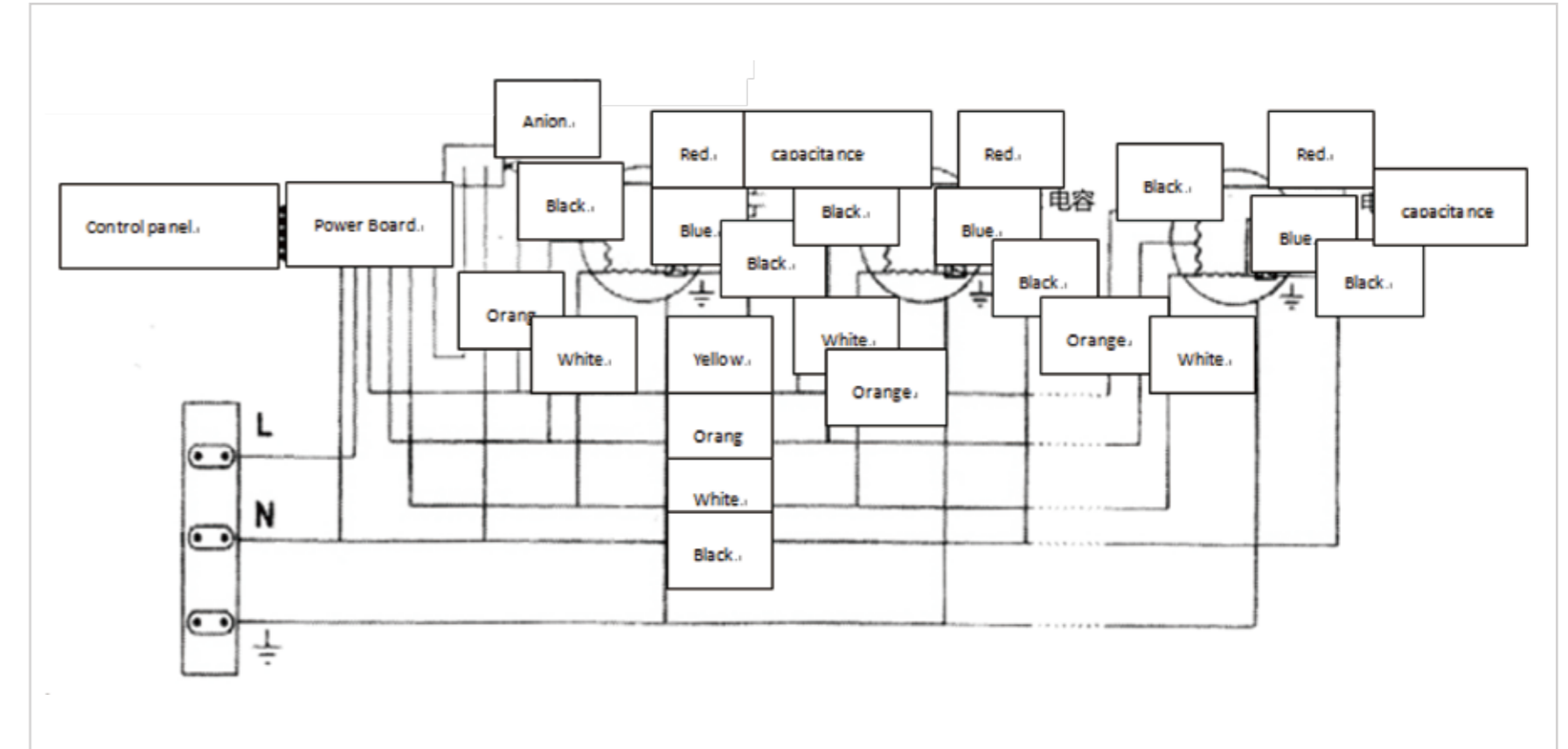
3. If installed in the software wall, such as the master, the use of STS self-tapping screws to install the board fixed to the wall



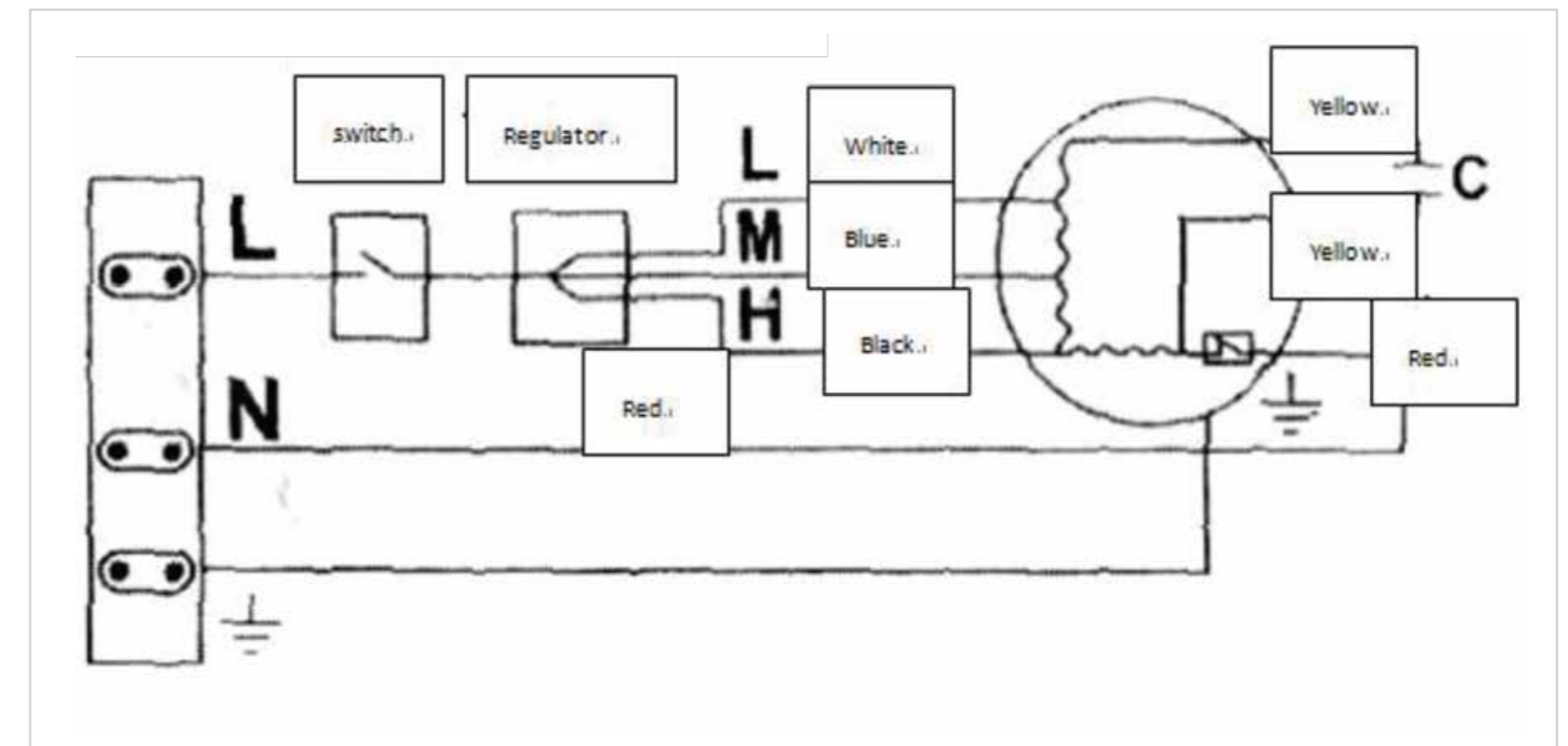
4. To determine the installation board is fixed, then the wind screen machine hanging on the mounting plate, and then install the board and the wind screen machine body screw tightening to ensure a solid installation

## Electrical Schematic Diagram

- Centrifugal air curtain machine circuit diagram
- Cross - flow air curtain circuit

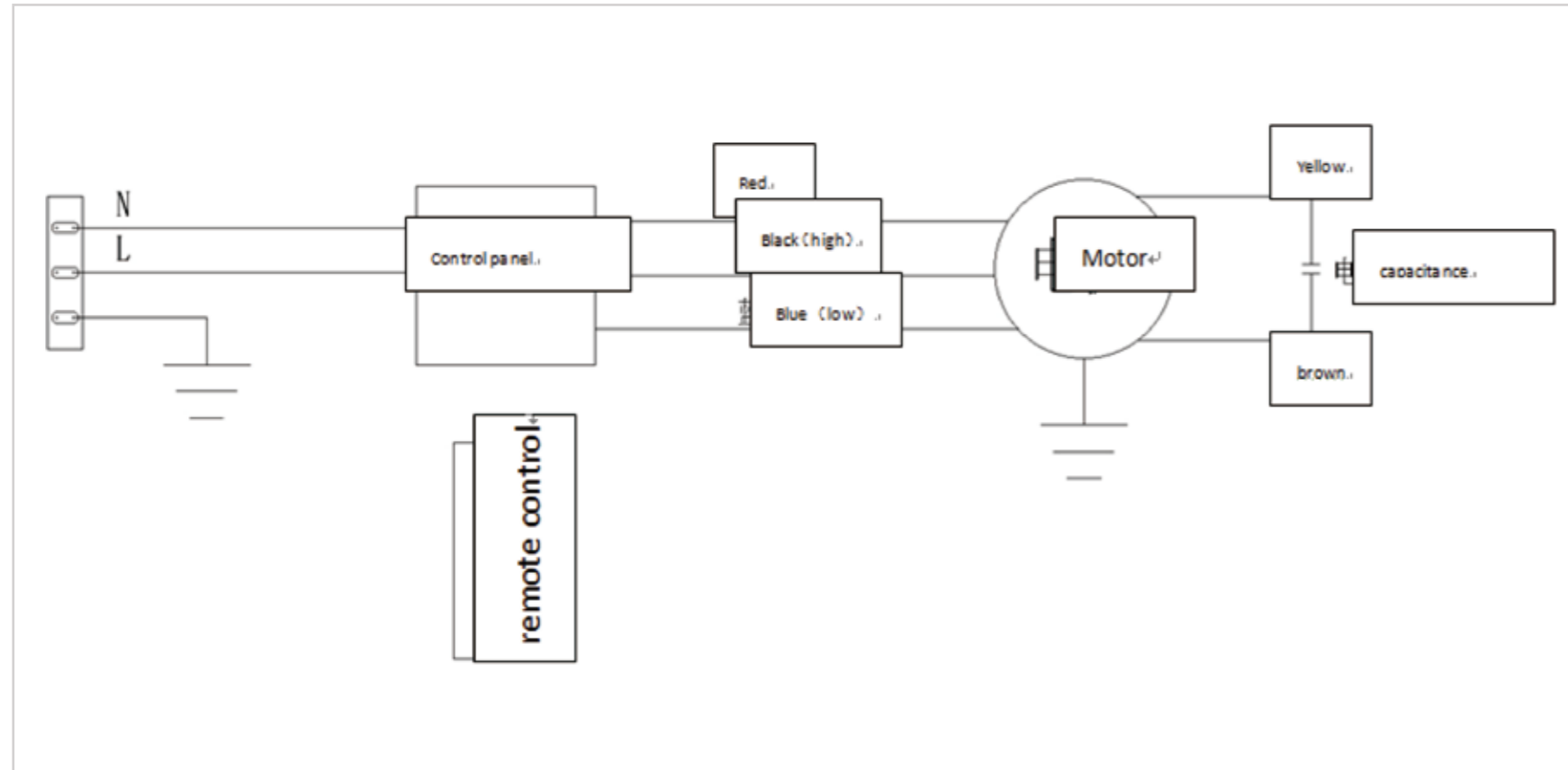


- Tubular heating and cooling air curtain circuit



## Electrical Schematic Diagram

- Circuit diagram of perfusion heating and cooling air curtain



- Tubular heating and cooling air curtain circuit

