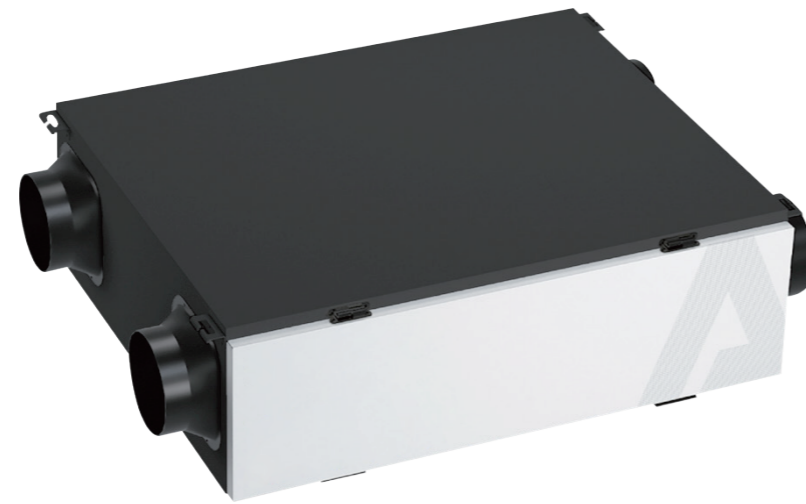


LW-QR SERIES

Centralized full heat exchange fresh air system
150 air volume - 2000 air volume



Filter configuration

Model	LW-QR	LW-DC-QR	LW-JD-QR	LW-ZLQR	LW-DC-ZLQR	LW-JD-ZLQR
Aluminum frame washable primary filter	✓	✓	✓	✓	✓	✓
F5 molecular cold catalyst combined filter screen	○	✓	✓	○	✓	✓
H12 grade HEPA medium efficiency filter (3M)	○	✓	✓	○	✓	✓
H13 grade HEPA high efficiency filter (3M)	○	✓	✓	○	✓	✓
Photohydrogen ion sterilization module	○	○	✓	○	○	✓
PSY high thermal conductivity molecular core	✓	✓	✓	✓	✓	✓

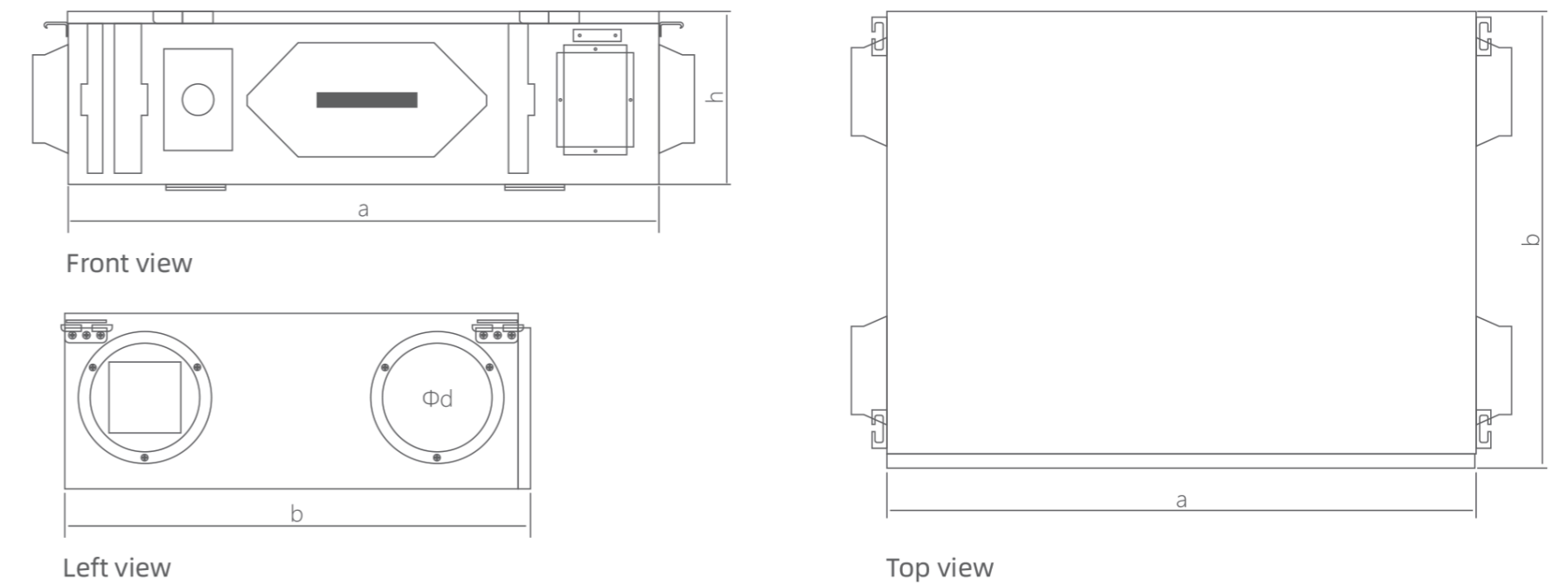
Dimension Table

Model	Voltage (V)	Power (W)	Volume (m³/h)	Pressure (Pa)	Efficiency	Noise dB(A)
LW-150-QR/LW-DC150-QR/LW-JD150-QR	220	70/73/73	150	115	88%-96%	26
LW-250-QR/LW-DC250-QR/LW-JD250-QR	220	78/82/82	250	132	87%-95%	28
LW-350-QR/LW-DC350-QR/LW-JD350-QR	220	88/96/96	350	140	86%-94%	29
LW-500-QR/LW-DC500-QR/LW-JD500-QR	220	120/128/128	500	160	86%-94%	30
LW-800-QR/LW-DC800-QR/LW-JD800-QR	220	180/188/188	800	160	86%-91%	40
LW-1000-QR/LW-DC1000-QR/LW-JD1000-QR	220	260/266/266	1000	170	86%-91%	36
LW-1500-QR/LW-DC1500-QR/LW-JD1500-QR	220	285/298/298	1500	175	85%-88%	44
LW-2000-QR/LW-DC2000-QR/LW-JD2000-QR	220	370/375/375	2000	205	85%-88%	48
LW-150-ZLQR/LW-DC150-ZLQR/LW-JD150-ZLQR	220	35/40/40	150	135	88%-96%	24
LW-250-ZLQR/LW-DC250-ZLQR/LW-JD250-ZLQR	220	40/45/45	250	160	87%-95%	26
LW-350-ZLQR/LW-DC350-ZLQR/LW-JD350-ZLQR	220	60/65/65	350	190	86%-94%	27
LW-500-ZLQR/LW-DC500-ZLQR/LW-JD500-ZLQR	220	105/110/110	500	215	86%-94%	28



Aluminum frame washable primary filter F5 molecular cold catalyst combined filter screen H12 grade HEPA medium efficiency filter (3M) H13 grade HEPA high efficiency filter (3M) Photohydrogen ion sterilization module PSY high thermal conductivity molecular core

Installation dimension drawing



Model	a(mm)	b(mm)	h(mm)	d(mm)	Weight (Kg)
LW-150-QR/LW-DC150-QR/LW-JD150-QR	780/(JD)866	514/(JD)643	186/(JD)228	120/(JD)150	19.5/25.5
LW-250-QR/LW-DC250-QR/LW-JD250-QR	866	643	228	150	26.5
LW-350-QR/LW-DC350-QR/LW-JD350-QR	880	688	260	150	31.5
LW-500-QR/LW-DC500-QR/LW-JD500-QR	1110	845	260	200	45
LW-800-QR/LW-DC800-QR/LW-JD800-QR	1143	809	342	200	52
LW-1000-QR/LW-DC1000-QR/LW-JD1000-QR	1143	809	342	200	52
LW-1500-QR/LW-DC1500-QR/LW-JD1500-QR	1143	809	342	200	53.5
LW-2000-QR/LW-DC2000-QR/LW-JD2000-QR	1245	956	360	250	63.5
LW-150-ZLQR/LW-DC150-ZLQR/LW-JD150-ZLQR	880	688	260	150	32.5
LW-250-ZLQR/LW-DC250-ZLQR/LW-JD250-ZLQR	880	688	260	150	33
LW-350-ZLQR/LW-DC350-ZLQR/LW-JD350-ZLQR	880	688	260	150	33.5
LW-500-ZLQR/LW-DC500-ZLQR/LW-JD500-ZLQR	880	688	260	150	34

LW-DK SERIES

Central type full heat exchange fresh air system · lower maintenance
150 air volume-500 air volume



99.98%

Purification rate

80%

Heat recovery efficiency

99.9%

Sterilization rate

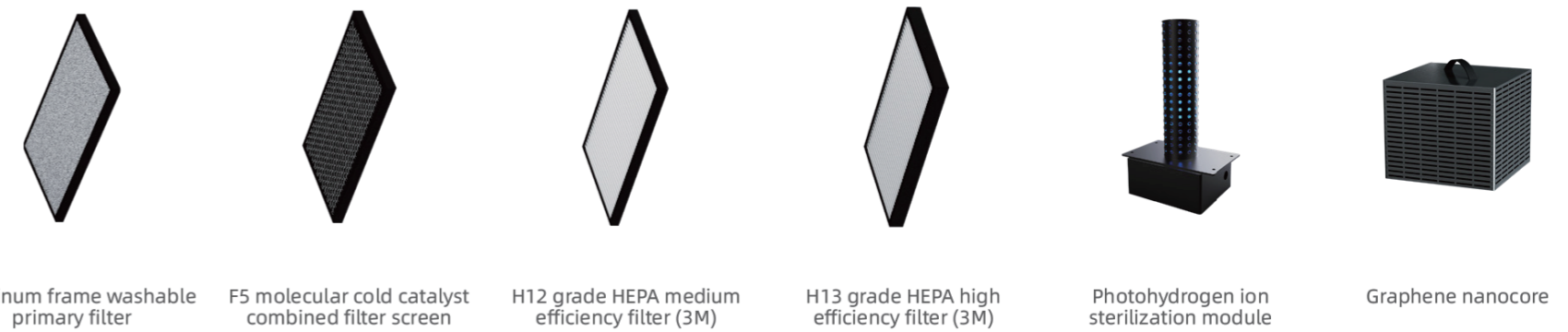
Quiet and energy saving

Filter configuration

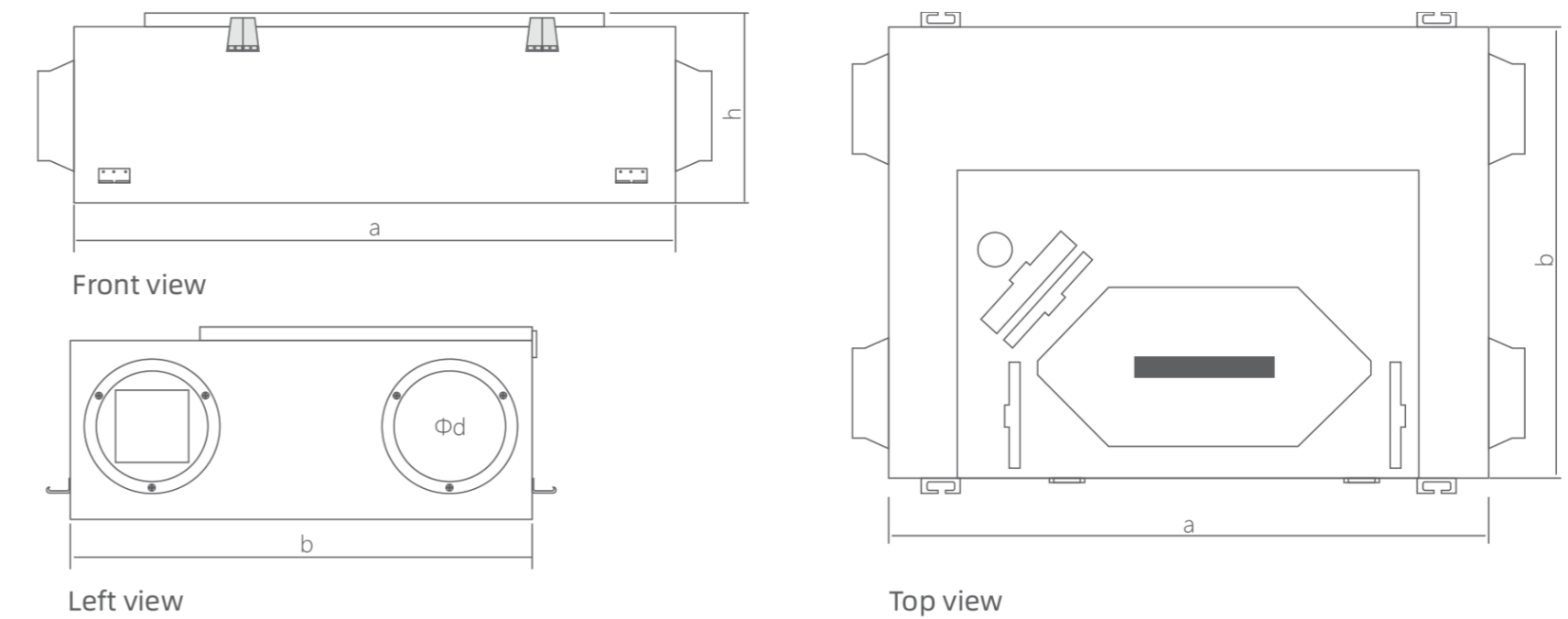
Model	LW-DK	LW-DC-DK	LW-JD-DK	LW-ZLDK	LW-DC-ZLDK	LW-JD-ZLDK
Aluminum frame washable primary filter	✓	✓	✓	✓	✓	✓
F5 molecular cold catalyst combined filter screen	○	✓	✓	○	✓	✓
H12 grade HEPA medium efficiency filter (3M)	○	✓	✓	○	✓	✓
H13 grade HEPA high efficiency filter (3M)	○	✓	✓	○	✓	✓
Photohydrogen ion sterilization module	○	○	✓	○	○	✓
Graphene nanocore	✓	✓	✓	✓	✓	✓

Dimension Table

Model	Voltage (V)	Power (W)	Volume (m³/h)	Pressure (Pa)	Efficiency	Noise dB(A)
LW-150-DK/LW-DC150-DK/LW-JD150-DK	220	68/71/71	150	118	88%-95%	26
LW-250-DK/LW-DC250-DK/LW-JD250-DK	220	75/79/79	250	135	87%-94%	28
LW-350-DK/LW-DC350-DK/LW-JD350-DK	220	85/93/93	350	145	87%-94%	29
LW-500-DK/LW-DC500-DK/LW-JD500-DK	220	117/125/125	500	165	87%-94%	30
LW-150-ZLDK/LW-DC150-ZLDK/LW-JD150-ZLDK	220	32/37/37	150	138	88%-95%	24
LW-250-ZLDK/LW-DC250-ZLDK/LW-JD250-ZLDK	220	38/43/43	250	165	87%-94%	26
LW-350-ZLDK/LW-DC350-ZLDK/LW-JD350-ZLDK	220	57/62/62	350	198	87%-94%	27
LW-500-ZLDK/LW-DC500-ZLDK/LW-JD500-ZLDK	220	103/108/108	500	208	87%-94%	28



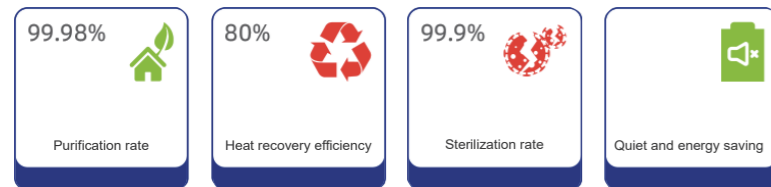
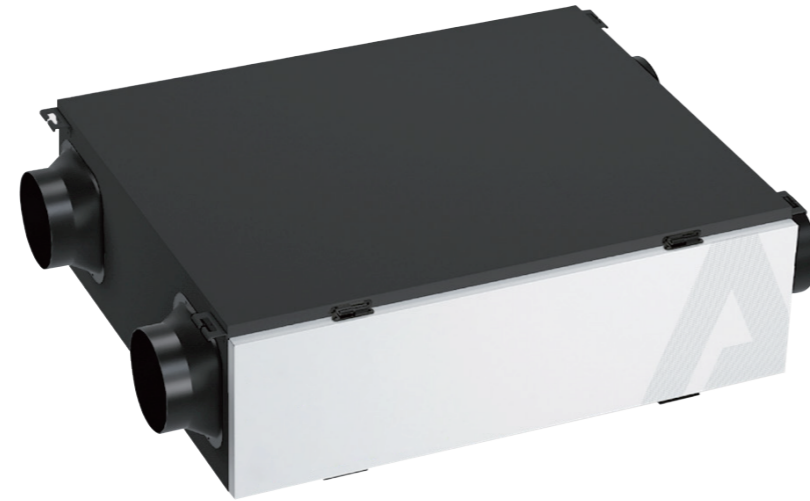
Installation dimension drawing



Model	a(mm)	b(mm)	h(mm)	d(mm)	Weight (Kg)
LW-150-DK/LW-DC150-DK/LW-JD150-DK	750	628	200	120	23
LW-250-DK/LW-DC250-DK/LW-JD250-DK	750	630	275	150	24
LW-350-DK/LW-DC350-DK/LW-JD350-DK	750	630	275	150	25
LW-500-DK/LW-DC500-DK/LW-JD500-DK	750	630	275	150	26
LW-150-ZLDK/LW-DC150-ZLDK/LW-JD150-ZLDK	750	628	200	120	23.5
LW-250-ZLDK/LW-DC250-ZLDK/LW-JD250-ZLDK	750	630	275	150	24.5
LW-350-ZLDK/LW-DC350-ZLDK/LW-JD350-ZLDK	750	630	275	150	25.5
LW-500-ZLDK/LW-DC500-ZLDK/LW-JD500-ZLDK	750	630	275	150	26.5

LW-GN SERIES

Centralized full heat exchange fresh air system
150 air volume - 2000 air volume



Filter configuration

Model	LW-GN	LW-DC-GN	LW-JD-GN	LW-ZLGN	LW-DC-ZLGN	LW-JD-ZLGN
Aluminum frame washable primary filter	✓	✓	✓	✓	✓	✓
F5 molecular cold catalyst combined filter screen	○	✓	✓	○	✓	✓
H12 grade HEPA medium efficiency filter (3M)	○	✓	✓	○	✓	✓
H13 grade HEPA high efficiency filter (3M)	○	✓	✓	○	✓	✓
Photohydrogen ion sterilization module	○	○	✓	○	○	✓
Graphene nanocore	✓	✓	✓	✓	✓	✓

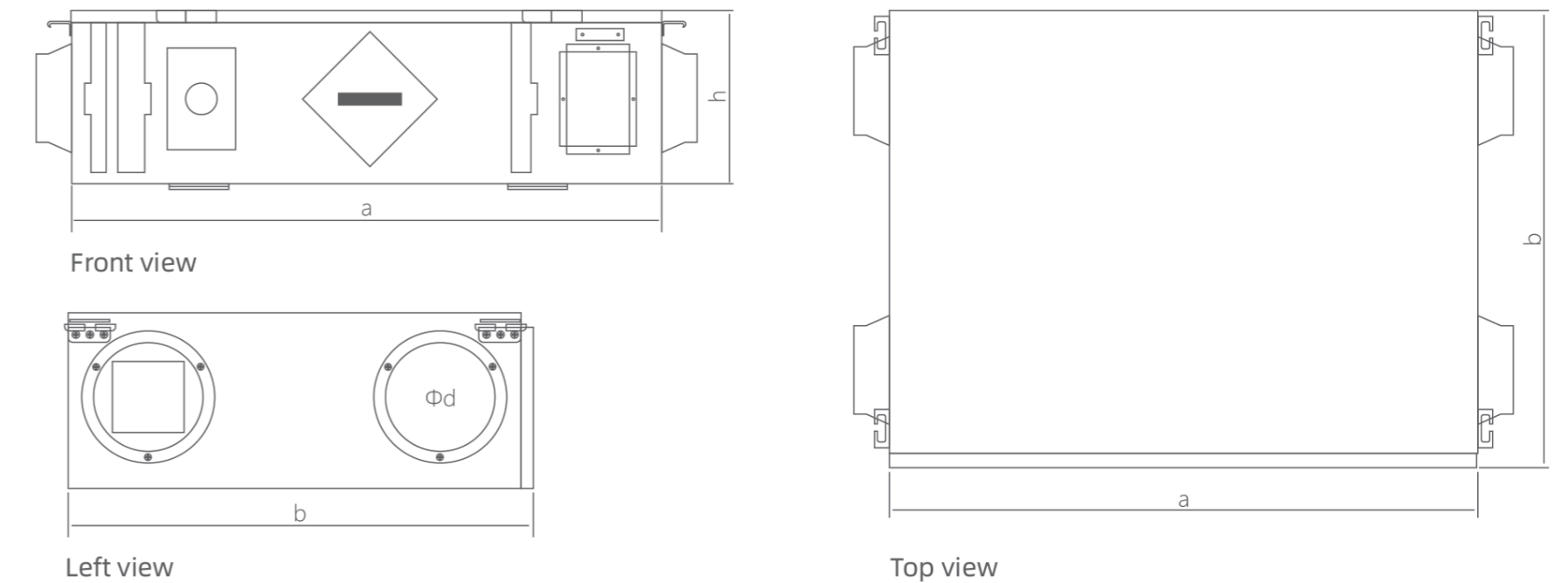
Dimension Table

Model	Voltage (V)	Power (W)	Volume (m³/h)	Pressure (Pa)	Efficiency	Noise dB(A)
LW-150-GN/LW-DC150-GN/LW-JD150-GN	220	56/59/59	150	120	89%-97%	26
LW-250-GN/LW-DC250-GN/LW-JD250-GN	220	75/78/78	250	137	88%-96%	27
LW-350-GN/LW-DC350-GN/LW-JD350-GN	220	86/89/89	350	145	87%-95%	28
LW-500-GN/LW-DC500-GN/LW-JD500-GN	220	167/170/170	500	165	87%-95%	29
LW-800-GN/LW-DC800-GN/LW-JD800-GN	220	198/201/201	800	170	87%-92%	30
LW-1000-GN/LW-DC1000-GN/LW-JD1000-GN	220	253/256/256	1000	175	87%-92%	35
LW-1500-GN/LW-DC1500-GN/LW-JD1500-GN	220	322/325/325	1500	185	86%-89%	40
LW-2000-GN/LW-DC2000-GN/LW-JD2000-GN	220	400/403/403	2000	205	86%-89%	45
LW-150-ZLGN/LW-DC150-ZLGN/LW-JD150-ZLGN	220	34/37/37	150	155	87%-95%	24
LW-250-ZLGN/LW-DC250-ZLGN/LW-JD250-ZLGN	220	57/60/60	250	172	87%-95%	25
LW-350-ZLGN/LW-DC350-ZLGN/LW-JD350-ZLGN	220	85/88/88	350	185	87%-95%	26
LW-500-ZLGN/LW-DC500-ZLGN/LW-JD500-ZLGN	220	112/115/115	500	205	87%-95%	27



Aluminum frame washable primary filter F5 molecular cold catalyst combined filter screen H12 grade HEPA medium efficiency filter (3M) H13 grade HEPA high efficiency filter (3M) Photohydrogen ion sterilization module Graphene nanocore

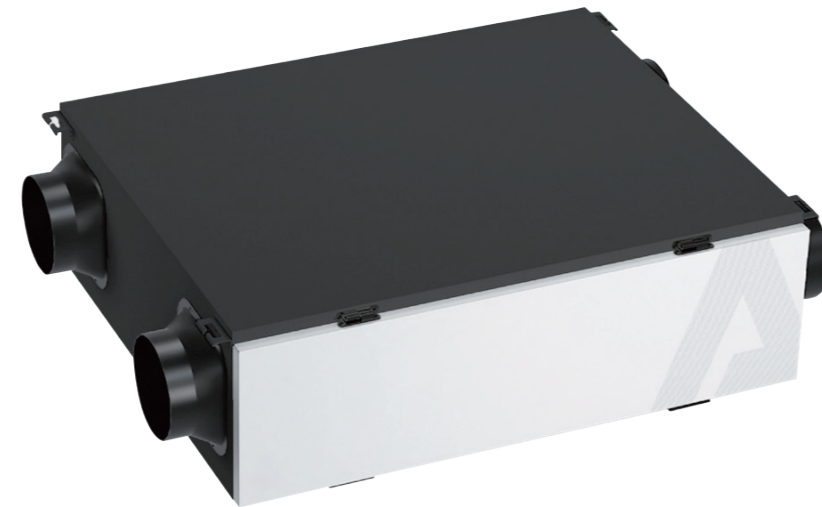
Installation dimension drawing



Model	a(mm)	b(mm)	h(mm)	Φd(mm)	Weight (Kg)
LW-150-GN/LW-DC150-GN/LW-JD150-GN	780	514	186	120	22.5
LW-250-GN/LW-DC250-GN/LW-JD250-GN	866	643	228	150	29.5
LW-350-GN/LW-DC350-GN/LW-JD350-GN	880	688	260	150	34.5
LW-500-GN/LW-DC500-GN/LW-JD500-GN	1110	845	260	200	48
LW-800-GN/LW-DC800-GN/LW-JD800-GN	1143	809	342	200	55
LW-1000-GN/LW-DC1000-GN/LW-JD1000-GN	1143	809	342	200	55
LW-1500-GN/LW-DC1500-GN/LW-JD1500-GN	1143	809	342	200	56.5
LW-2000-GN/LW-DC2000-GN/LW-JD2000-GN	1245	956	390	250	66.5
LW-150-ZLGN/LW-DC150-ZLGN/LW-JD150-ZLGN	880	688	260	150	22.5
LW-250-ZLGN/LW-DC250-ZLGN/LW-JD250-ZLGN	880	688	260	150	29.5
LW-350-ZLGN/LW-DC350-ZLGN/LW-JD350-ZLGN	880	688	260	150	34.5
LW-500-ZLGN/LW-DC500-ZLGN/LW-JD500-ZLGN	880	688	260	150	48

LW-SXL SERIES

Central two-way flow fresh air system
150 air volume - 2000 air volume



99.98%

Purification rate

80%

Heat recovery efficiency

99.9%

Sterilization rate

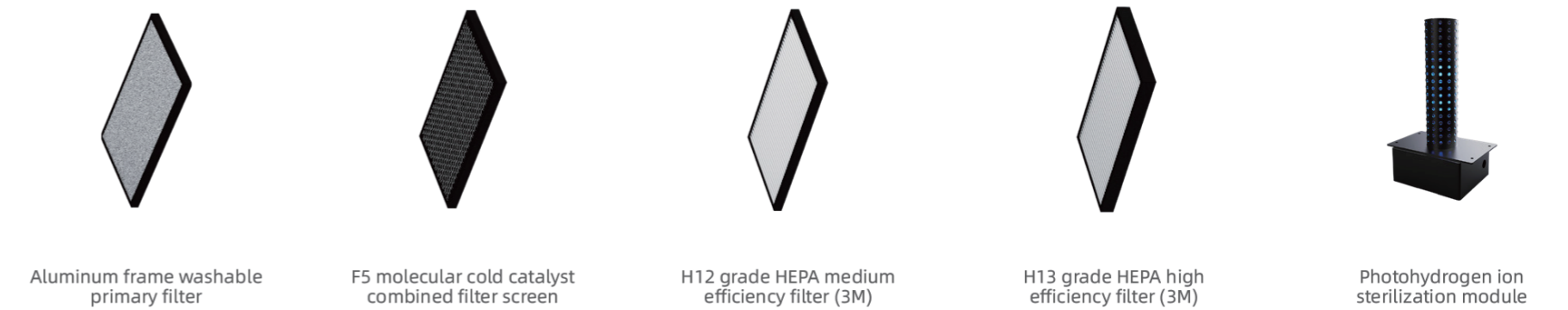
Quiet and energy saving

Filter configuration

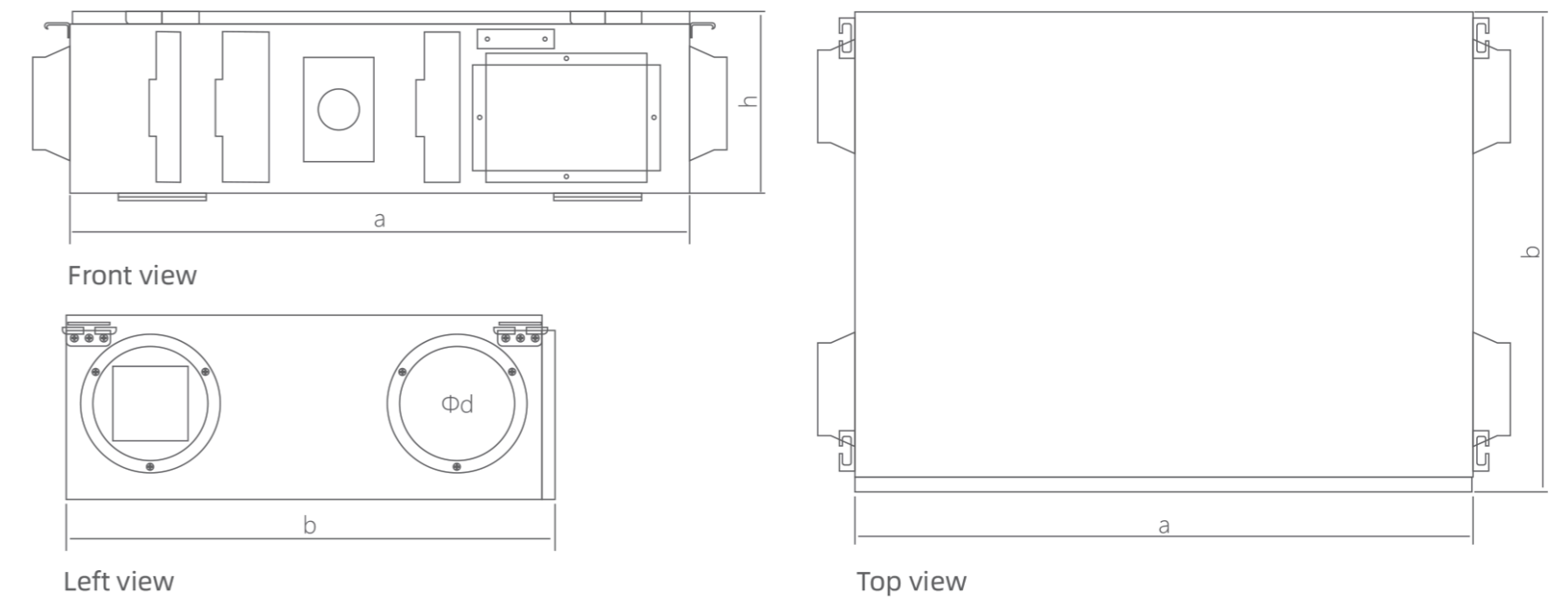
Model	LW-SXL	LW-DC-SXL	LW-JD-SXL
Aluminum frame washable primary filter	✓	✓	✓
F5 molecular cold catalyst combined filter screen	○	✓	✓
H12 grade HEPA medium efficiency filter (3M)	○	✓	✓
H13 grade HEPA high efficiency filter (3M)	○	✓	✓
Photohydrogen ion sterilization module	○	○	✓

Dimension Table

Model	Voltage (V)	Power (W)	Volume (m³/h)	Pressure (Pa)	Noise dB(A)
LW-150-SXL/LW-DC150-SXL/LW-JD150-SXL	220	70/73/73	150	115	16
LW-250-SXL/LW-DC250-SXL/LW-JD250-SXL	220	78/82/82	250	132	28
LW-350-SXL/LW-DC350-SXL/LW-JD350-SXL	220	88/96/96	350	140	29
LW-500-SXL/LW-DC500-SXL/LW-JD500-SXL	220	120/128/128	500	160	30
LW-800-SXL/LW-DC800-SXL/LW-JD800-SXL	220	180/188/188	800	160	36
LW-1000-SXL/LW-DC1000-SXL/LW-JD1000-SXL	220	260/266/266	1000	170	36
LW-1500-SXL/LW-DC1500-SXL/LW-JD1500-SXL	220	285/298/298	1500	175	44
LW-2000-SXL/LW-DC2000-SXL/LW-JD2000-SXL	220	330/335/335	2000	205	48



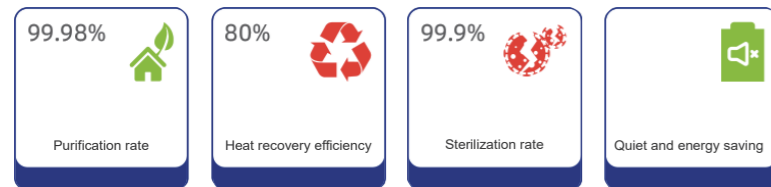
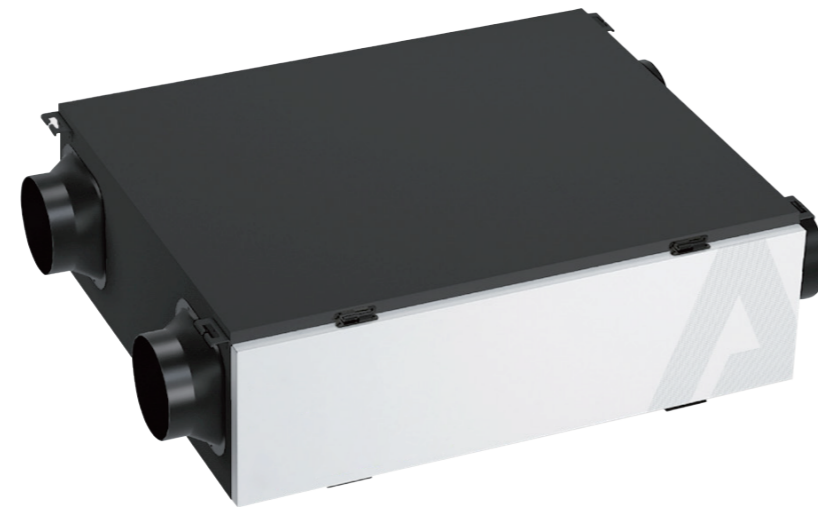
Installation dimension drawing



Model	a(mm)	b(mm)	h(mm)	Φd(mm)	Weight (Kg)
LW-150-SXL/LW-DC150-SXL/LW-JD150-SXL	552/(JD)652	493/(JD)545	164/(JD)182	100/(JD)120	10.5/14.5
LW-250-SXL/LW-DC250-SXL/LW-JD250-SXL	652	545	182	120	15
LW-350-SXL/LW-DC350-SXL/LW-JD350-SXL	650	564	256	150	17
LW-500-SXL/LW-DC500-SXL/LW-JD500-SXL	800	714	260	200	22
LW-800-SXL/LW-DC800-SXL/LW-JD800-SXL	800	796	332	200	25
LW-1000-SXL/LW-DC1000-SXL/LW-JD1000-SXL	800	796	332	200	27
LW-1500-SXL/LW-DC1500-SXL/LW-JD1500-SXL	800	796	332	200	29
LW-2000-SXL/LW-DC2000-SXL/LW-JD2000-SXL	1000	936	360	250	39

LW-JY SERIES

Central one-way flow fresh air system
150 air volume-2000 air volume

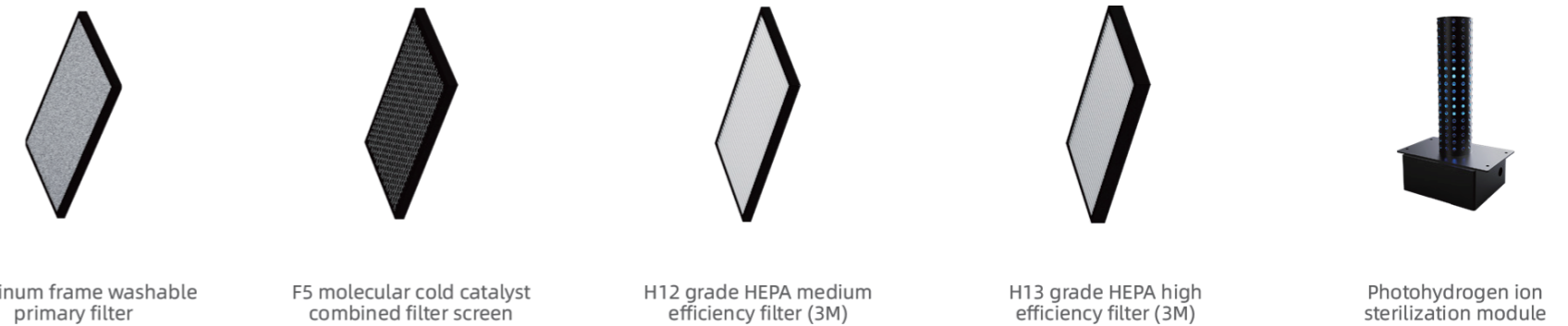


Filter configuration

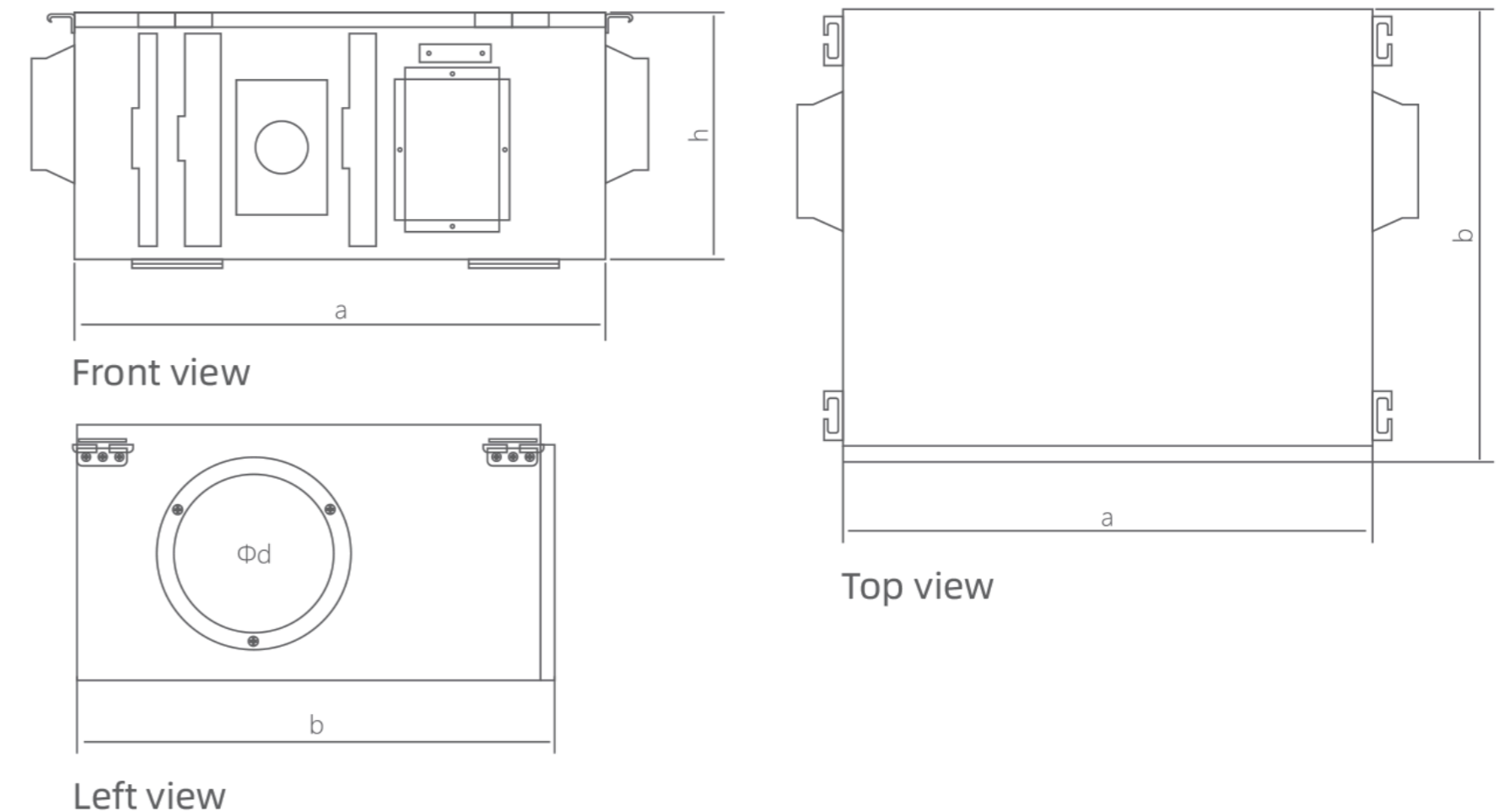
Model	LW-JY	LW-DC-JY	LW-JD-JY
Aluminum frame washable primary filter	✓	✓	✓
F5 molecular cold catalyst combined filter screen	○	✓	✓
H12 grade HEPA medium efficiency filter (3M)	○	✓	✓
H13 grade HEPA high efficiency filter (3M)	○	✓	✓
Photohydrogen ion sterilization module	○	○	✓

Dimension Table

Model	Voltage (V)	Power (W)	Volume (m³/h)	Pressure (Pa)	Noise dB(A)
LW-150-JY/LW-DC150-JY/LW-JD150-JY	220	19/26/26	150	115	21
LW-250-JY/LW-DC250-JY/LW-JD250-JY	220	38/46/46	250	132	27
LW-350-JY/LW-DC350-JY/LW-JD350-JY	220	60/78/78	350	140	29
LW-500-JY/LW-DC500-JY/LW-JD500-JY	220	105/112/112	500	185	31
LW-800-JY/LW-DC800-JY/LW-JD800-JY	220	120/126/126	800	225	32
LW-1000-JY/LW-DC1000-JY/LW-JD1000-JY	220	130/138/138	1000	258	40
LW-1500-JY/LW-DC1500-JY/LW-JD1500-JY	220	145/152/152	1500	360	42
LW-2000-JY/LW-DC2000-JY/LW-JD2000-JY	220	185/188/188	2000	620	48



Installation dimension drawing



Model	a(mm)	b(mm)	h(mm)	d(mm)	Weight (Kg)
LW-150-JY/LW-DC150-JY/LW-JD150-JY	414/(JD)590	299/(JD)430	164/(JD)195	100/(JD)150	4.8/9.8
LW-250-JY/LW-DC250-JY/LW-JD250-JY	414/(JD)590	299/(JD)430	164/(JD)195	100/(JD)150	5.1/10.5
LW-350-JY/LW-DC350-JY/LW-JD350-JY	490/(JD)590	423/(JD)430	196/(JD)230	150/(JD)150	11.6/12.5
LW-500-JY/LW-DC500-JY/LW-JD500-JY	550/(JD)630	482/(JD)482	258/(JD)258	200/(JD)200	14.8/16.3
LW-800-JY/LW-DC800-JY/LW-JD800-JY	600/(JD)650	482/(JD)482	336/(JD)336	200/(JD)200	20/22
LW-1000-JY/LW-DC1000-JY/LW-JD1000-JY	600/(JD)650	482/(JD)482	336/(JD)336	200/(JD)200	22/24
LW-1500-JY/LW-DC1500-JY/LW-JD1500-JY	600/(JD)650	482/(JD)482	336/(JD)336	200/(JD)200	25.8/27.8
LW-2000-JY/LW-DC2000-JY/LW-JD2000-JY	750	560	360	250	31.5

Fresh Air Dehumidifier



LW-CSJ SERIES

Fresh air dehumidifier



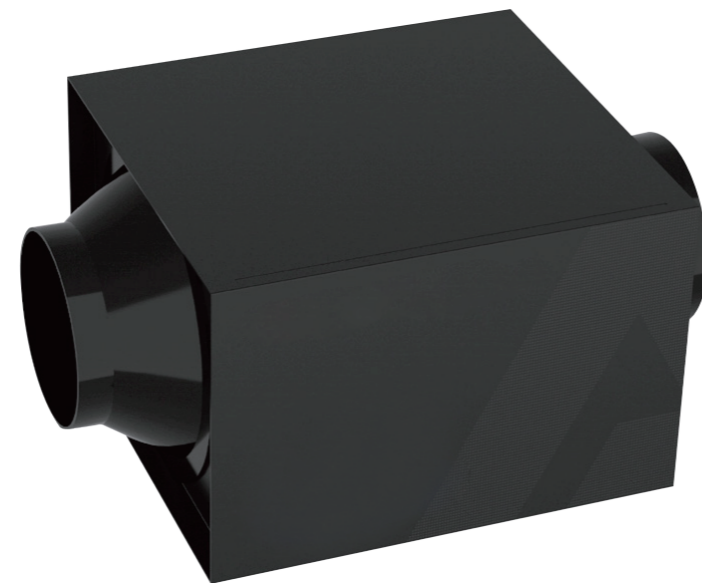
Dimension Table

Model	Voltage (V)	Power (W)	Fresh air volume (m³/h)	Return air volume (m³/h)	Air volume (m³/h)	Pressure (Pa)	Dehumidification (L/D)
LW-D30L-CSJ	220	600	130	320	450	85	30
LW-D45L-CSJ	220	700	200	500	700	105	45
LW-D60L-CSJ	220	800	250	750	1000	120	60
LW-D90L-CSJ	220	1200	500	1000	1500	160	90
LW-S30L-CSJ	220	600	150	350	450	85	30
LW-S45L-CSJ	220	700	200	400	600	105	45
LW-S60L-CSJ	220	850	250	750	1000	120	60
LW-S90L-CSJ	220	1070	500	1000	1500	260	90

Model	Connection size	Drain size	Dimensions	Weight (kg)
LW-D30L-CSJ	150	DN15	970*520*280	45
LW-D45L-CSJ	150	DN15	1050*520*340	55
LW-D60L-CSJ	150	DN15	1050*520*340	60
LW-D90L-CSJ	150	DN15	1120*600*400	70
LW-S30L-CSJ	150	DN15	970*520*280	45
LW-S45L-CSJ	150	DN15	1250*690*340	65
LW-S60L-CSJ	150	DN15	1250*690*340	75
LW-S90L-CSJ	150	DN15	1280*670*370	110

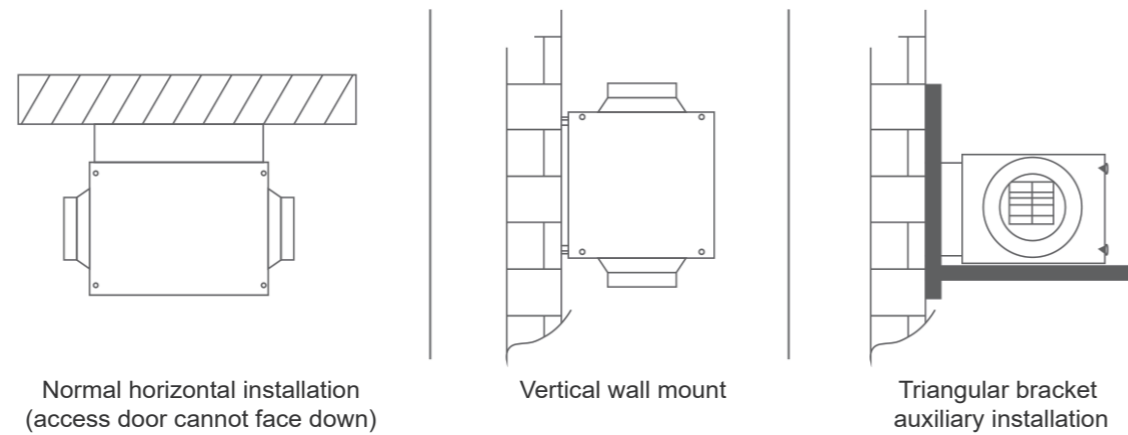
LWD SERIES

One-way flow silent blower
250 air volume - 2000 air volume

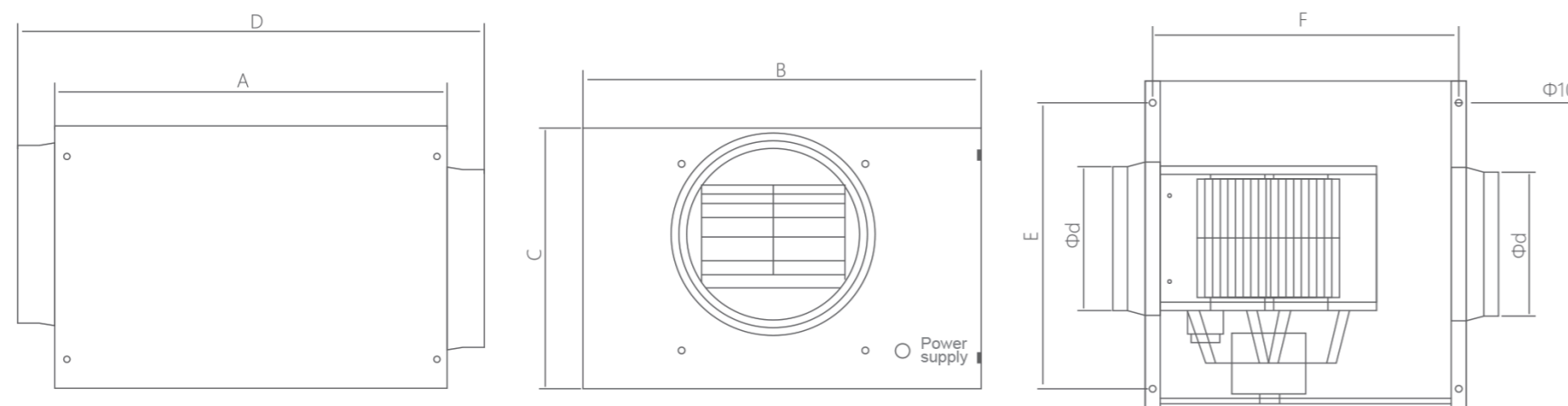


Any multi-angle installation

- Flat body without exposed electrical box
- One piece
- Can be installed at any angle
- Match room type



Installation dimension drawing



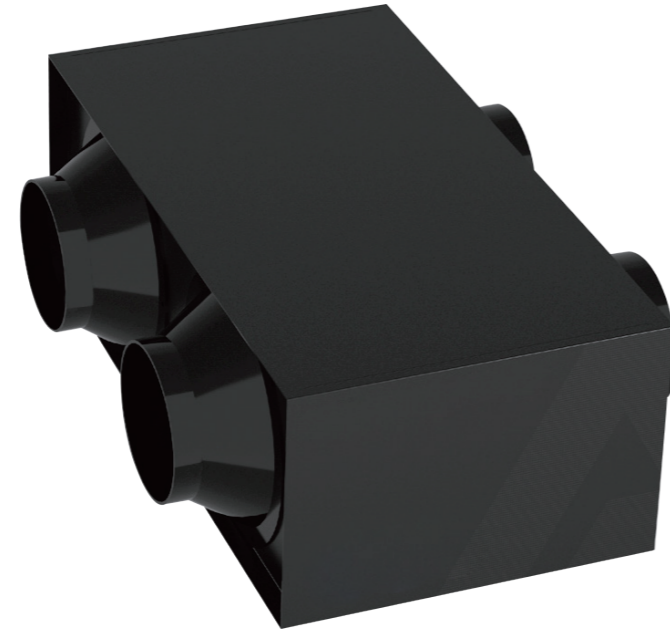
Standard size table

Model	A	B	C	D	E	F	d
LWD-250	300	300	232	426	240	280	145
LWD-400	350	320	232	476	260	330	145
LWD-600	400	320	272	529	260	380	200
LWD-800	400	350	272	529	270	380	200
LWD-1000	450	380	272	579	300	430	200
LWD-1500	550	550	360	662	470	525	240
LWD-2000	550	550	360	681	456	525	240

Model	Maximum air volume(m ³ /h)			Input power(w)			Pressure(Pa)			Noise dB(A)	Weight (kg)
	High	Middle	Low	High	Middle	Low	High	Middle	Low		
LWD-250	250	200	150	36	34	32	115	111	108	30	6.2
LWD-400	400	300	200	44	42	40	160	150	145	31	8.5
LWD-600	600	450	300	62	58	41	198	189	120	32	9.5
LWD-800	800	600	400	101	81	66	250	230	190	34	11
LWD-1000	1000	800	600	130	110	90	260	240	210	36	12
LWD-1500	1500	1300	1000	252	231	194	410	382	340	40	21.5
LWD-2000	2000	1800	1600	485	455	425	410	370	330	47	23.5

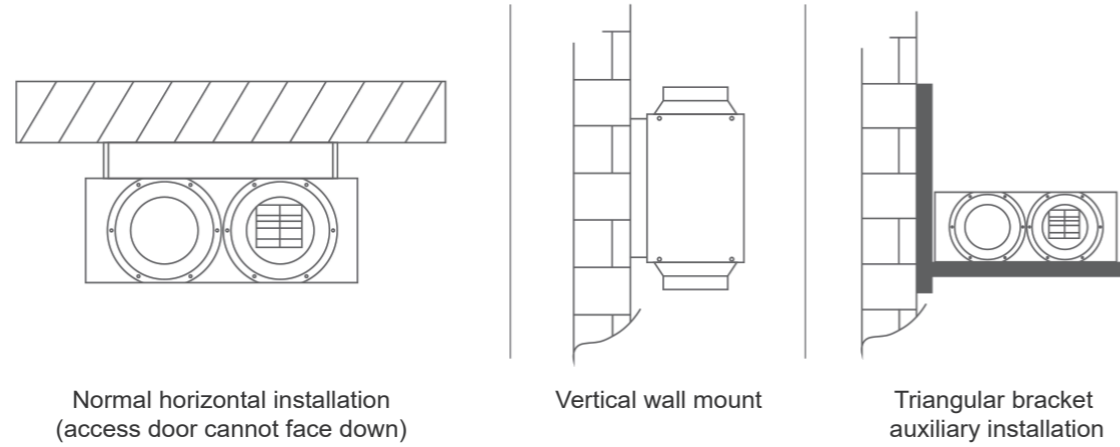
LWS SERIES

Two-way flow silent blower
250 air volume - 2000 air volume

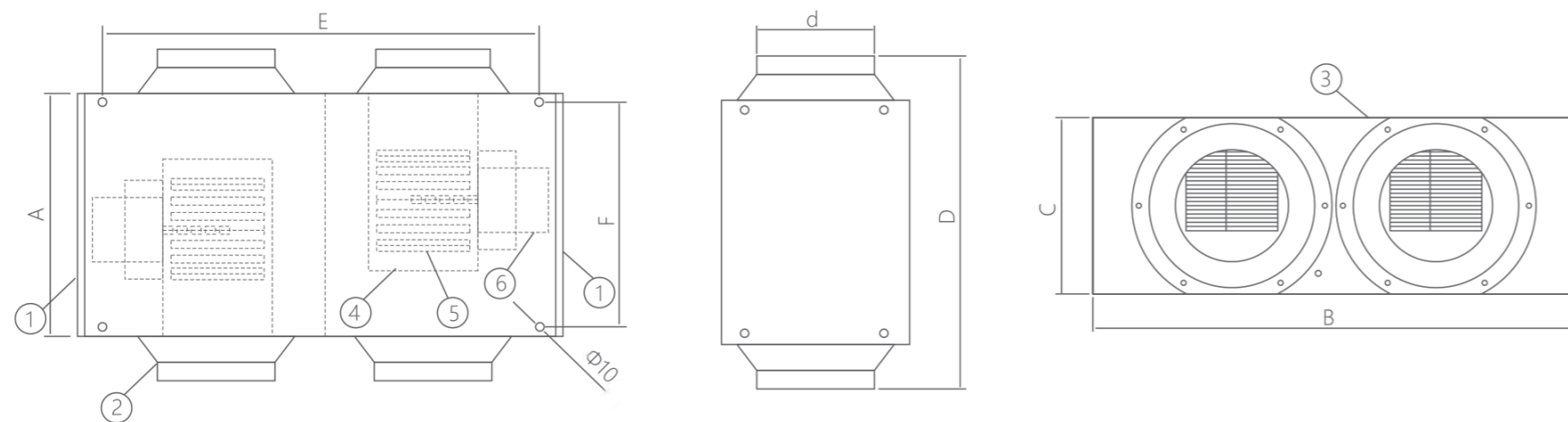


Any multi-angle installation

Flat body without exposed electrical box
One piece
Can be installed at any angle
Match room type



Installation dimension drawing



Dimension Table

Model	A	B	C	D	E	F	Φd
LWS-200	320	600	232	440	540	300	145
LWS-400	370	600	232	490	540	350	145
LWS-600	420	650	272	540	570	400	192
LWS-800	440	650	272	560	570	420	192
LWS-1000	450	760	272	570	680	430	192
LWS-1500	550	1060	360	660	980	525	242
LWS-2000	550	1098	360	682	1035	525	240

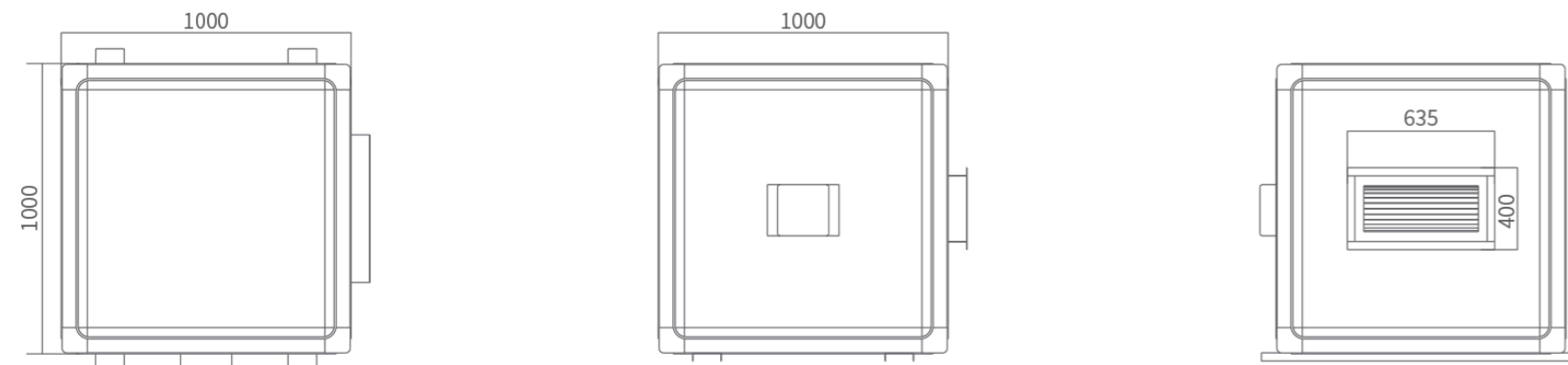
Model	Voltage (V)	Maximum air volume(m³/h)			Input power(W)			Pressure(Pa)			Noise dB(A)	Weight (kg)
		High	Middle	Low	High	Middle	Low	High	Middle	Low		
LWS-200	220	250	200	150	72	68	64	115	111	108	31	12
LWS-400	220	400	300	200	88	84	80	160	150	145	32	16
LWS-600	220	600	450	300	124	116	82	198	189	120	33	18
LWS-800	220	800	600	400	202	162	132	250	230	190	36	22
LWS-1000	220	1000	800	600	260	220	180	260	240	210	38	24
LWS-1500	220	1500	1300	1000	504	462	388	410	382	340	44	42
LWS-2000	220	2000	1800	1600	975	910	850	410	370	330	47	44

LWD SERIES

Color steel plate one-way flow fan



Installation dimension drawing



Dimension Table

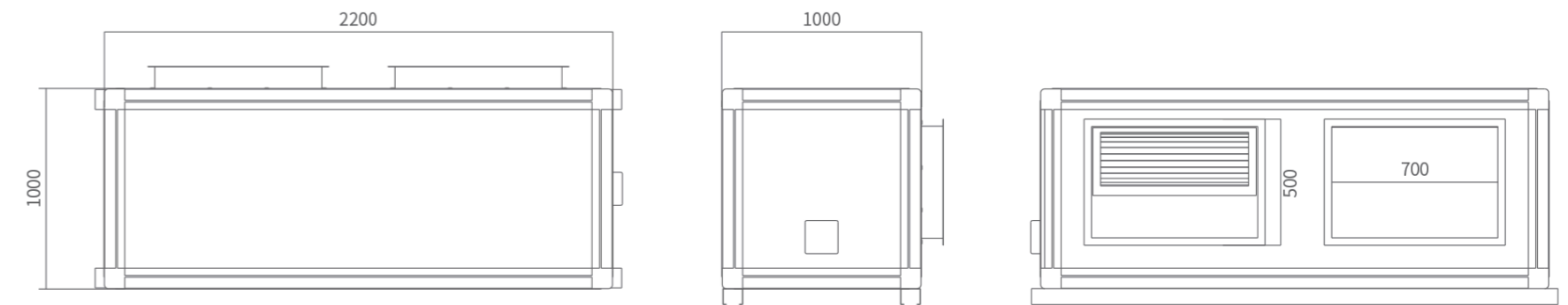
Model	Volume (m³/h)	Voltage (V)	Power (W)	Pressure (Pa)	Outlet size (mm)	Import size (mm)	Dimensions (mm)
LWD-2500	2500	220/380	750	300	265*150	350*300	550*550*550
LWD-3000	3000	220/380	800	350	300*150	350*300	600*600*600
LWD-4000	4000	220/380	1100	400	380*150	400*300	700*700*650
LWD-5000	5000	380	1500	500	350*200	450*300	700*700*700
LWD-6000	6000	380	1800	500	430*200	500*400	750*750*700
LWD-7000	7000	380	2000	600	350*240	650*650	750*750*700
LWD-8000	8000	380	2200	600	430*240	650*650	750*750*750
LWD-10000	10000	380	3000	650	430*320	700*700	800*800*800
LWD-12000	12000	380	4000	800	510*320	750*750	850*850*850
LWD-15000	15000	380	5500	800	545*400	800*800	900*900*900
LWD-20000	20000	380	7500	800	635*400	900*900	1000*1000*100

LWS SERIES

Color steel plate two-way flow ventilator



Installation dimension drawing



Dimension Table

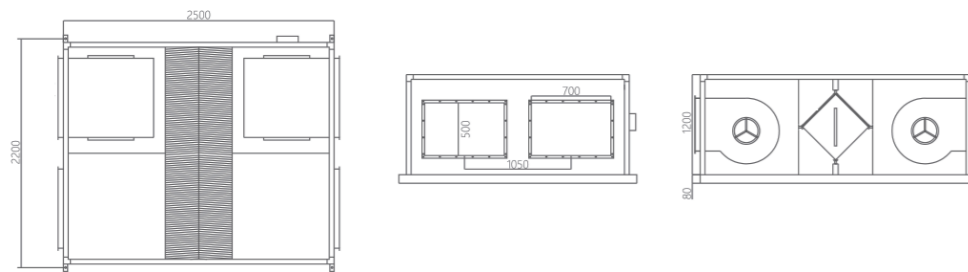
Model	Volume (m³/h)	Voltage (V)	Power (W)	Pressure (Pa)	Import and export size	Dimensions (mm)
LWS-2500	2500	220/380	1500	400	250*250	500*1000*450
LWS-3000	3000	220/380	1600	400	250*250	600*1150*500
LWS-4000	4000	220/380	2200	400	300*300	600*1150*550
LWS-5000	5000	380	3000	500	300*300	650*1200*550
LWS-6000	6000	380	3600	550	400*300	650*1200*590
LWS-7000	7000	380	4000	600	450*300	750*1700*700
LWS-8000	8000	380	4400	600	500*400	750*1800*750
LWS-10000	10000	380	6000	650	600*500	800*1900*800
LWS-12000	12000	380	8000	800	700*500	850*1900*850
LWS-15000	15000	380	11000	800	700*500	900*2000*900
LWS-20000	20000	380	15000	800	700*500	1000*2200*1000

LW-QEJZ SERIES

Centralized full heat exchange group



Installation dimension drawing



High temperature and high pressure resistance
100 °C boiling water measured without deformation

Environmentally friendly, non-toxic and harmless
Exclusive research and development of PP polypropylene environmental protection material

Efficient cold and heat recovery
The chip spacing is only 3mm, and the recovery rate is more than 70%

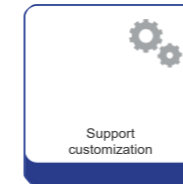
The core supports water washing
Once the composite resin is used, it can be washed for life and replaced free of charge

Dimension Table

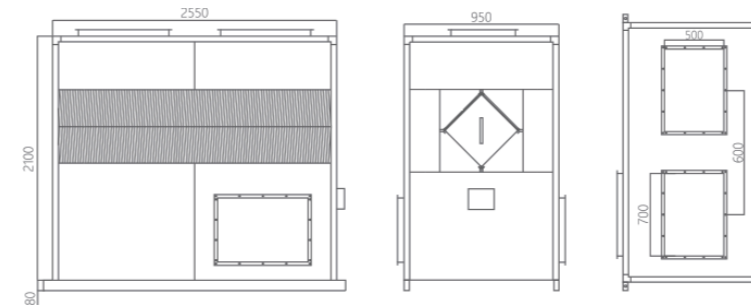
Model	Volume (m³/h)	Voltage (V)	Power (W)	Pressure (Pa)	Connection size (mm)	Dimensions (mm)
LW-1000-QEJZ	1000	220/380	300	200	300*200	1200*900*500
LW-1500-QEJZ	1500	220/380	400	230	300*200	1200*900*500
LW-2000-QEJZ	2000	220/380	1100	250	300*250	1200*900*500
LW-2500-QEJZ	2500	220/380	1500	250	300*250	1300*1100*550
LW-3000-QEJZ	3000	220/380	1600	260	350*300	1400*1200*500
LW-4000-QEJZ	4000	380	2200	300	400*300	1600*1400*600
LW-5000-QEJZ	5000	380	3000	300	450*300	1600*1500*750
LW-6000-QEJZ	6000	380	3600	350	500*400	1700*1600*750
LW-8000-QEJZ	8000	380	4400	400	500*400	1800*1700*800
LW-10000-QEJZ	10000	380	6000	450	600*500	2000*1800*950
LW-15000-QEJZ	15000	380	8000	500	700*500	2200*1900*1200
LW-20000-QEJZ	20000	380	15000	500	700*500	2500*2200*1200

LW-QELS SERIES

Commercial vertical full heat exchanger set



Installation dimension drawing



High temperature and high pressure resistance
100 °C boiling water measured without deformation

Environmentally friendly, non-toxic and harmless
Exclusive research and development of PP polypropylene environmental protection material

Efficient cold and heat recovery
The chip spacing is only 3mm, and the recovery rate is more than 70%

The core supports water washing
Once the composite resin is used, it can be washed for life and replaced free of charge

Dimension Table

Model	Volume (m³/h)	Voltage (V)	Power (W)	Pressure (Pa)	Connection size (mm)	Dimensions (mm)
LW-1000-QELS	1000	220/380	300	200	300*200	1200*450*900
LW-1500-QELS	1500	220/380	400	230	300*200	1200*450*900
LW-2000-QELS	2000	220/380	1100	250	300*250	1200*450*900
LW-2500-QELS	2500	220/380	1500	250	300*250	1300*500*1000
LW-3000-QELS	3000	220/380	1600	260	350*300	1400*550*1200
LW-4000-QELS	4000	380	2200	300	400*300	1600*600*1400
LW-5000-QELS	5000	380	3000	300	450*300	1700*600*1500
LW-6000-QELS	6000	380	3600	350	500*400	1800*600*1600
LW-8000-QELS	8000	380	4400	400	500*400	1900*700*1700
LW-10000-QELS	10000	380	6000	450	600*500	2200*800*1800
LW-15000-QELS	15000	380	8000	500	700*500	2500*950*2000
LW-20000-QELS	20000	380	15000	500	700*500	2550*950*2100