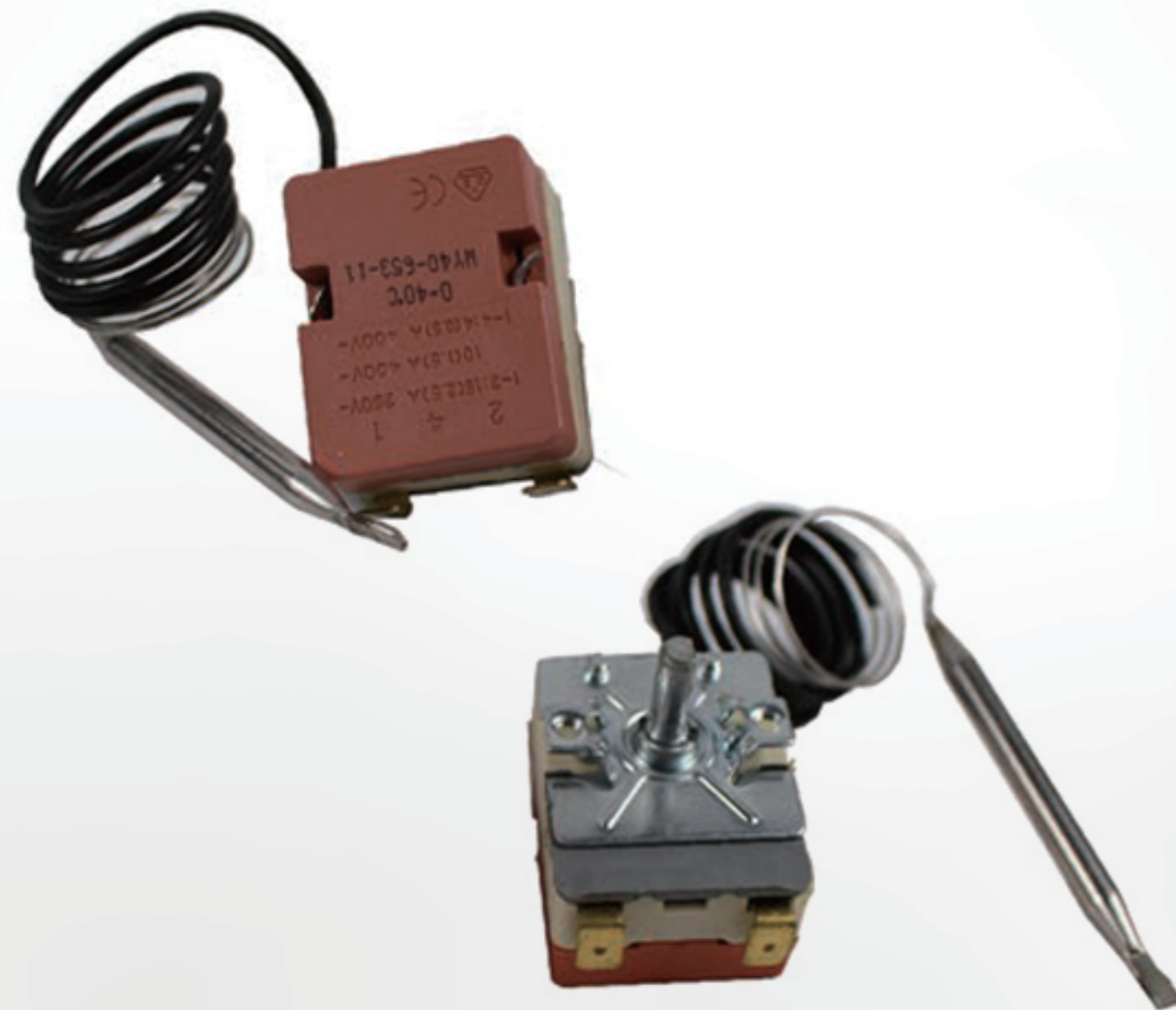


# Capillary Thermostat

Professional HVAC Fan & Motors Manufacturer



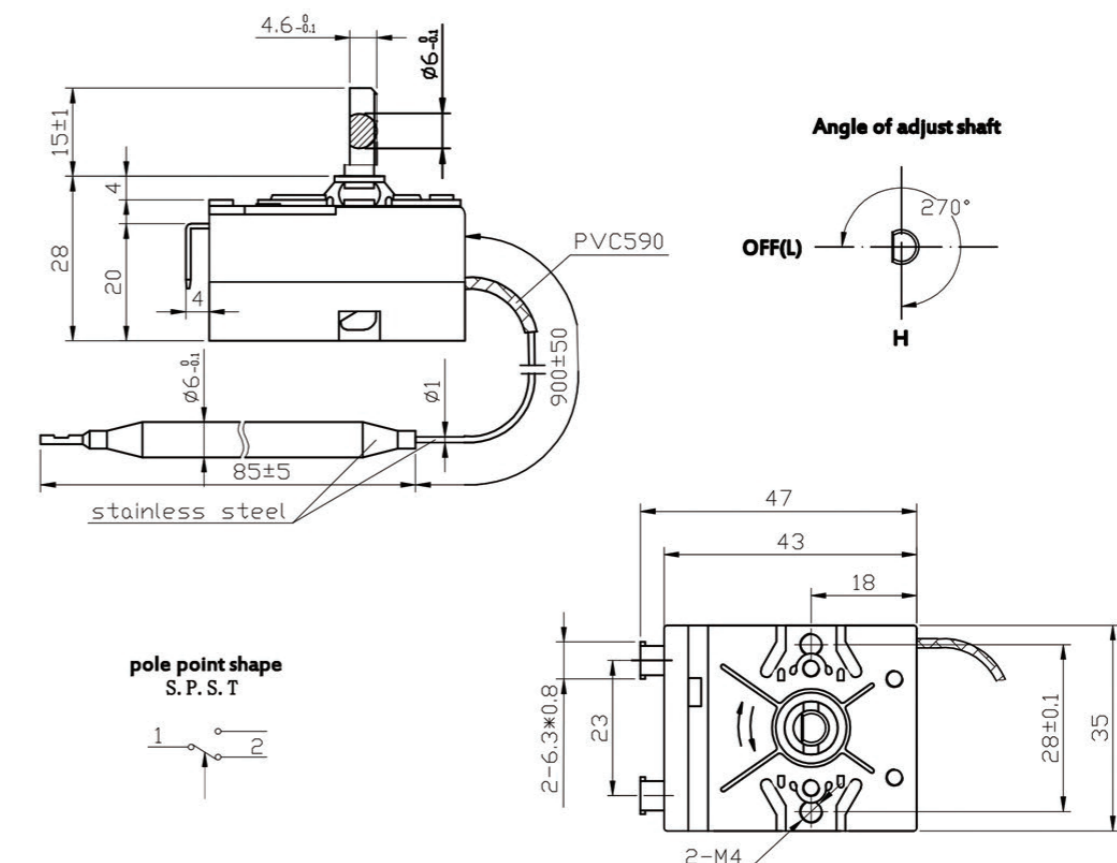
## Capillary Thermostat

### Technical Parameter

- Model: WY40-653-11
- Spindle draw in OFF(L) position
- H point:  $40 \pm 3$  °C    Off(L) point:  $0 \pm 5$  °C    DIFF:  $3 \pm 2$  °C
- Rated Voltage: 250VAC Rated current 1-2 16A
- Touched Resistance:  $\leq 50$  MΩ
- Insulated Resistance:  $\geq 100$  MΩ
- Electric Strength: AC 2000V/S
- Main Part Highest Heat-resistant: 120 °C
- Highest Heat-resistant for Heat Feeling Part: OFF+30 °C
- Running Distance of Adjuster: 2-5NCM
- Longevity: 50,000 times
- Testing Condition: (liquid) Temperature changing speed rate  $< 1$  °C/min



### Product Drawing (mm)



# Capillary Thermostat

## Technical Parameter

- Model: WY40-653-21
- Spindle draw in OFF(L) position
- H point:  $40 \pm 3$  °C    Off(L) point:  $0 \pm 5$  °C    DiFF:  $3 \pm 2$  °C
- Rated Voltage: 250VAC Rated current 1-2 25A
- Touched Resistance:  $\leq 50$  MΩ
- Insulated Resistance:  $\geq 100$  MΩ
- Electric Strength: AC 2000V/S
- Main Part Highest Heat-resistant: 120 °C
- Highest Heat-resistant for Heat Feeling Part: OFF+30 °C
- Running Distance of Adjuster: 2-5NCM
- Longevity: 50,000 times
- Testing Condition: (liquid) Temperature changing speed rate  $< 1$  °C/min



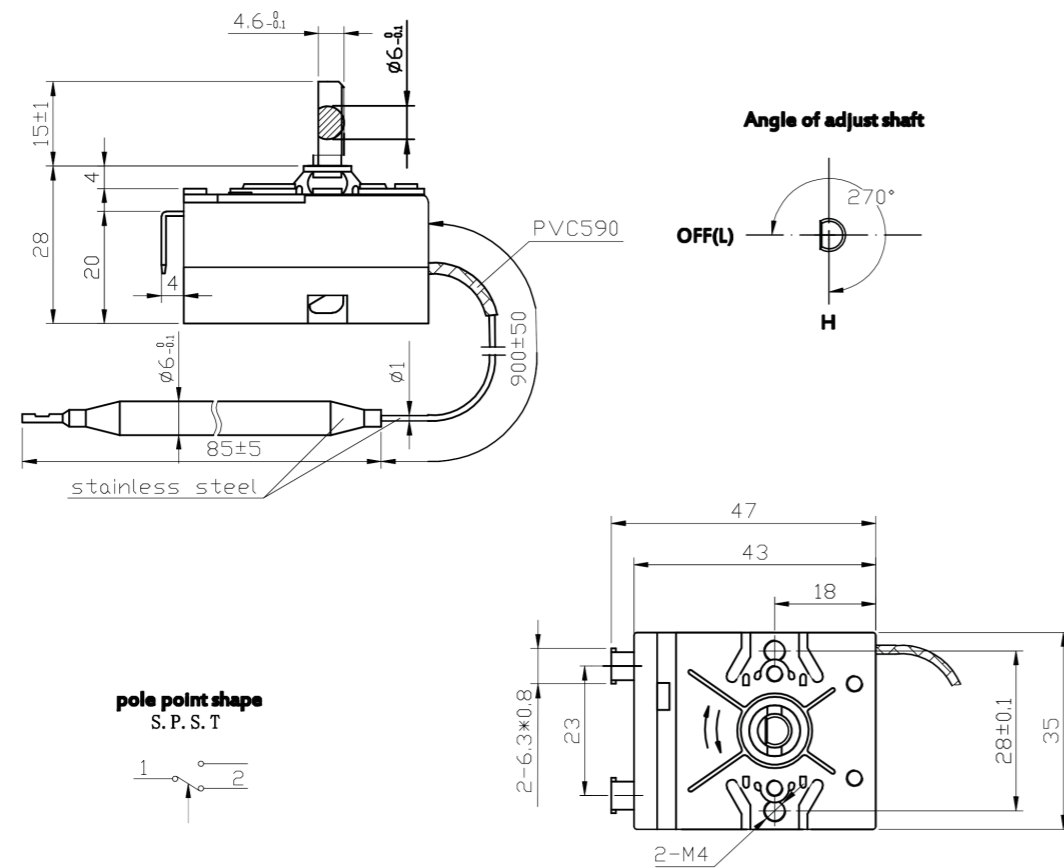
# Capillary Thermostat

## Technical Parameter

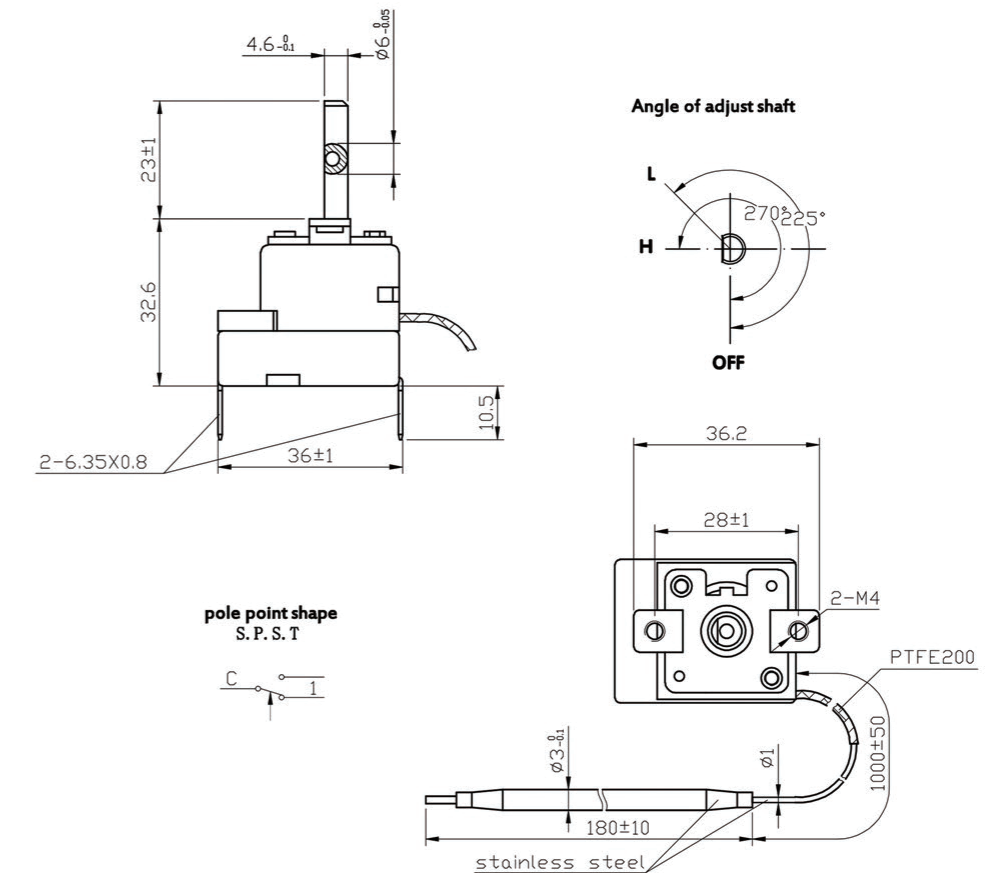
- Model: WY250-653-21H
- Spindle draw in H position
- H point:  $250 \pm 10$  °C    L point:  $25 \pm 15$  °C    DiFF:  $7 \pm 5$  °C
- Rated Voltage: 250VAC Rated current C-1 16A C-2 3A
- Touched Resistance:  $\leq 50$  MΩ
- Insulated Resistance:  $\geq 100$  MΩ
- Electric Strength: AC 2000V/min
- Main Part Highest Heat-resistant: 125 °C
- Highest Heat-resistant for Heat Feeling Part: OFF+30 °C
- Running Distance of Adjuster: 2-5NCM
- Longevity: 100,000 times
- Testing Condition: (liquid) Temperature changing speed rate  $< 1$  °C/min



## Product Drawing (mm)



## Product Drawing (mm)



# Temperature Controller

Professional HVAC Fan & Motors Manufacturer

## KSD301-V

- Current: 5A/10A/16A
- Resin Base
- Max.OT: 180°C
- Auto Reset
- Diameter of Disc: 1/2"



## KSD301-G

- Current: 5A/10A/16A
- Ceramic Base
- Max.OT: 220°C
- Auto Reset
- Diameter of Disc: 1/2"



## KSD301-R

- Current: 5A/10A/16A
- Resin Base
- Max.OT: 180°C
- Manual Reset
- Diameter of Disc: 1/2"



## KSD301-R-G

- Current: 5A/10A/16A
- Ceramic Base
- Max.OT: 220°C
- Manual Reset
- Diameter of Disc: 1/2"



## KSD301-U-G

- One-shot Type
- Ceramic Base Max.OT: 220°C
- Diameter of Disc: 1/2"



## KSD301-M

- Waterproof type with wires
- Current: 10A/16A
- Resin Base
- Max.OT: 145°C
- Auto Reset
- Diameter of Disc: 1/2"



## KSD302

- Current: 25A
- Resin Base
- Max.OT: 125°C
- Diameter of Disc: 7/8"
- Big current auto reset temperature control



## KSD305

- Current: 25A
- Diameter of Disc: 7/8"
- Cold-resistant Temp.: -40°C
- Big current auto reset defrost type with wires



## KSD303-A

- Current: 3A/6A/10A
- Resin Base
- Max.OT: 20°C
- Diameter of Disc: 1/2"
- Auto reset defrost type with wires



## KSD303-D

- Current: 3A/6A/10A
- Resin Base
- Max.OT: 50°C
- Diameter of Disc: 1/2"
- Defrost type with wires+fuse (optional)



## KSD309-A

- Current: 10A
- Ceramic Base
- Max.OT: 280°C
- Diameter of Disc: 1/2"
- High temperature auto reset type



## KSD309-B

- Current: 10A
- Ceramic Base
- Max.OT: 280°C
- Diameter of Disc: 1/2"
- high temperature control+protection



## KSD306

- Current: 30A
- Resin Base
- Max.OT: 125°C
- Manual Reset
- Diameter of Disc: 7/8"
- Big current temperature protection

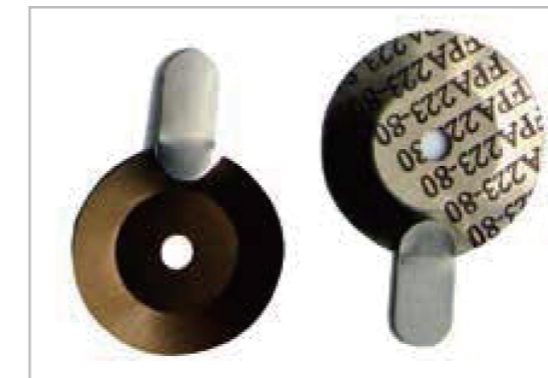


## KSD306-B

- Current: 16A
- Resin Base
- Max.OT: 125°C
- Manual Reset
- Diameter of Disc: 7/8"
- Big current temperature protection



## Bimetal Component



Drip Stop Disc



Disc for Kettle



Bimetallic Disc for Thermostat

## KSD308

- Current: 16A
- Resin Base
- Max.OT: 125°C
- Manual Reset
- Diameter of Disc: 7/8"
- Big current temperature protection



## KSD307-T

- Current: 16A
- Max.OT: 170°C
- Resin Base
- Diameter of Disc: 1/2"
- Voltage maintained thermal cut-out



## KSD312

- Diameter of Disc: 7/8"
- Rice cooker bimetal magnet temperature limiter

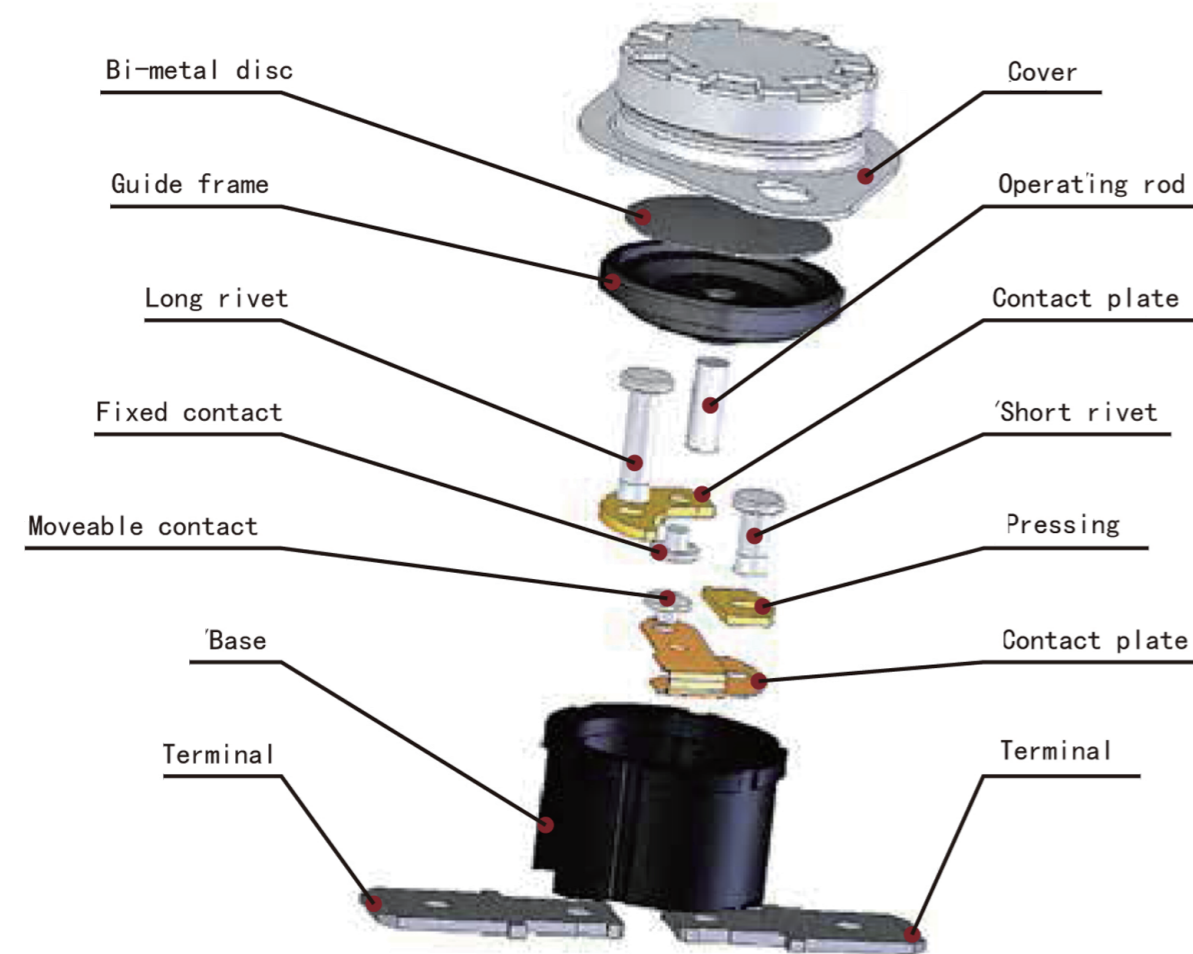


## KSD Series Inside Construction Introduction

KSD301 series snap-action thermostat is a kind of miniature hermetically sealed bimetal thermal protector (1/2" disc). It is of single-pole single-throw structure and works under resistive load. KSD301 series is in wide use in a great variety of compact type home appliances, such as coffee maker, water dispenser, toaster, microwave oven, electric pad and portable icebox etc., to provide temperature control or temperature protection.

According to different structures and service purposes, KSD301 series is divided into six sub series as: KSD301(-V), KSD301-G, KSD301-R, KSD301-R-G, KSD301-U, KSD301-M.

Typical configuration of the KSD301 thermostat's as follows:



## Basic Technical Parameter

Rated current: 5A, 10A, 16A (resistive)

Resistance Between Terminals: Below 50mΩ (Numeric m & mV meter, by volt-ampere standard, DC10V, 1A)

Class of Temperature Characteristics: Normal close, normal open, manual reset