

The LWS-EC/DC controller is for use with the full range of LONGWELL DC fans. Powered by the 10V DC output from the motor, it provides infinitely variable, manual speed control between 0% and 100%.

The maximum and minimum speeds can be varied during commissioning to limit the maximum speed and/or restrict the lower speed.

Ningbo Longwell Electric Technology CO.,LTD

NO.100, Ditang District ,Yuyao,Zhejiang Province,China 315400

Phone 86 574 6218 9863

Fax 86 574 6218 9863

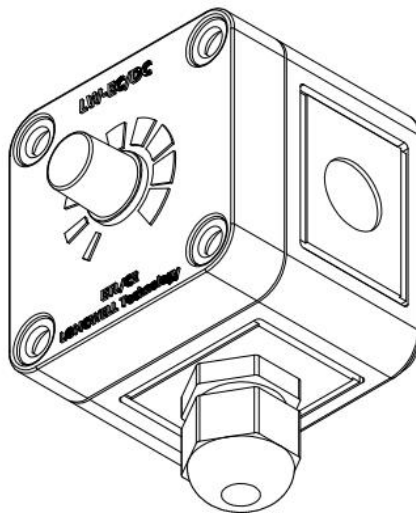
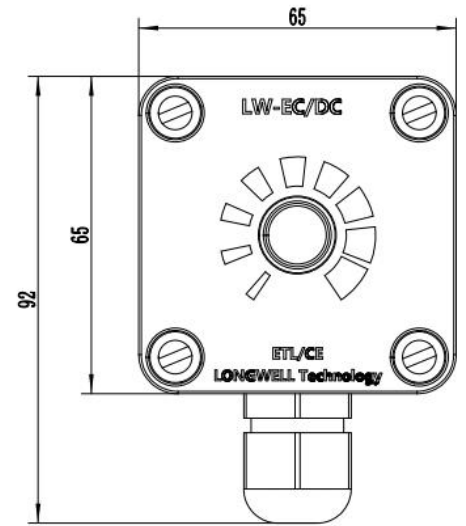
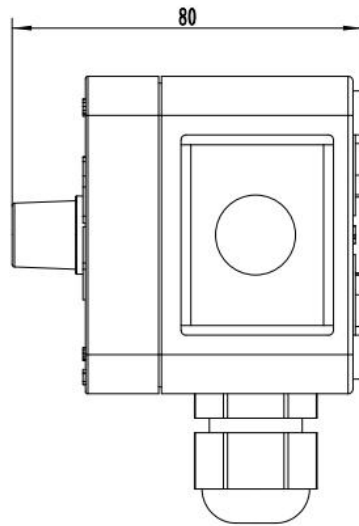
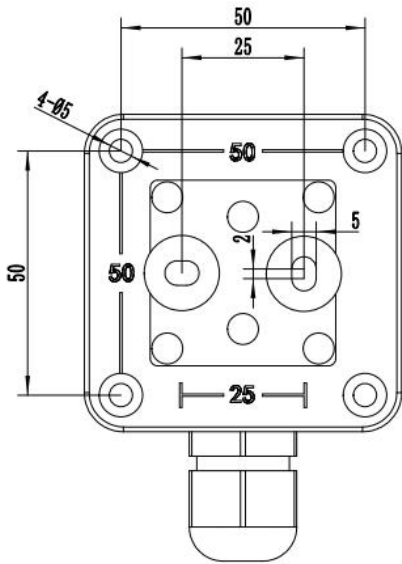
sales@zjlongwell.com

www.longwellfans.com

■ Nominal Data

Model	LWS-EC/DC-1
materials	plastic
Supply Voltage	48/24/12 VDC
Maximum Ambient Temperature	50°C
IP Rating	IP54
Szie	9.2*6.5*8 cm
Cable entries	4 x M16 water joint

■ Product Drawing



■ Wiring Diagram

