



Professional HVAC Fan & Motors Manufacturer

—— Electromagnetic Switch



Website

Ningbo Longwell Electric Technology Co.,Ltd

TEL:+86 (574) 6218 9863

Skype : Brucehappy1

Fax:+86 18358274663

Whatsapp:+0086 18358274663

E-mail:sales@zjlongwell.com

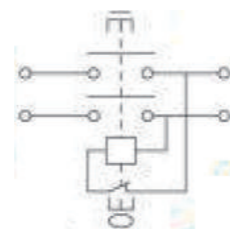
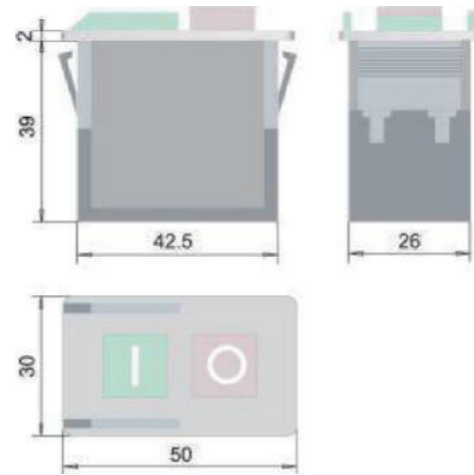
Web:https://www.longwellfans.com/

Address:#NO.100 ,South of Xuxiang River ,Ditang District, Yuyao,Ningbo
Zhejiang Province,China 315400

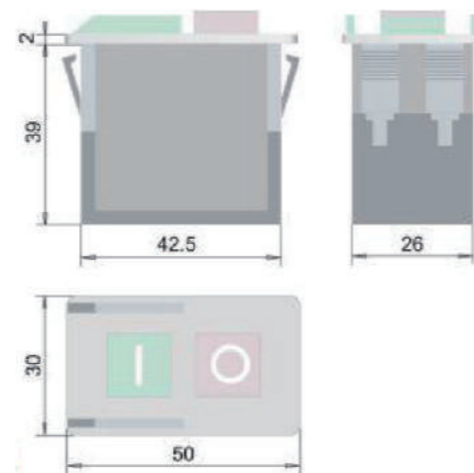
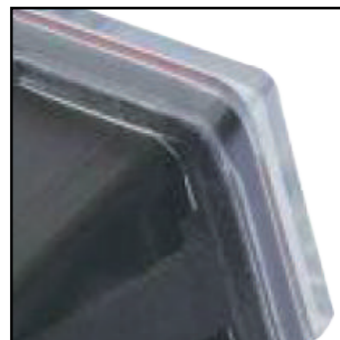
LWCK-1F

Main Data

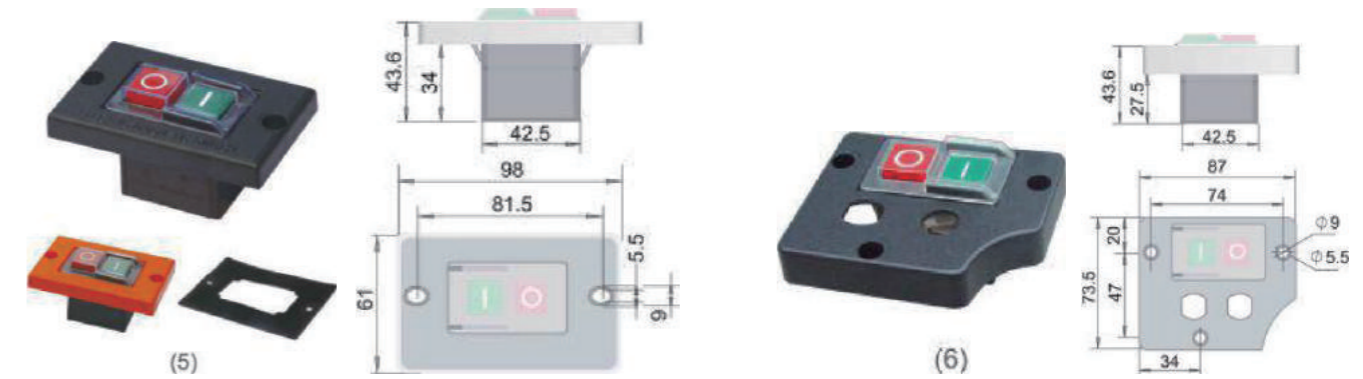
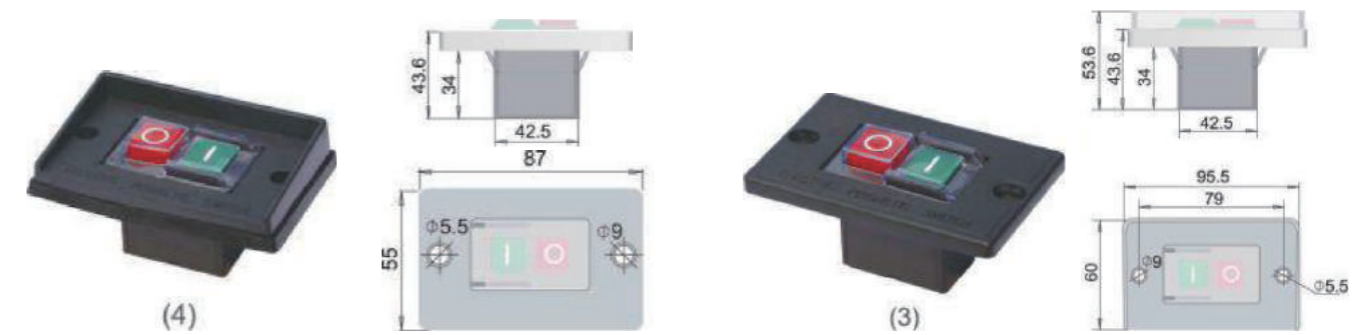
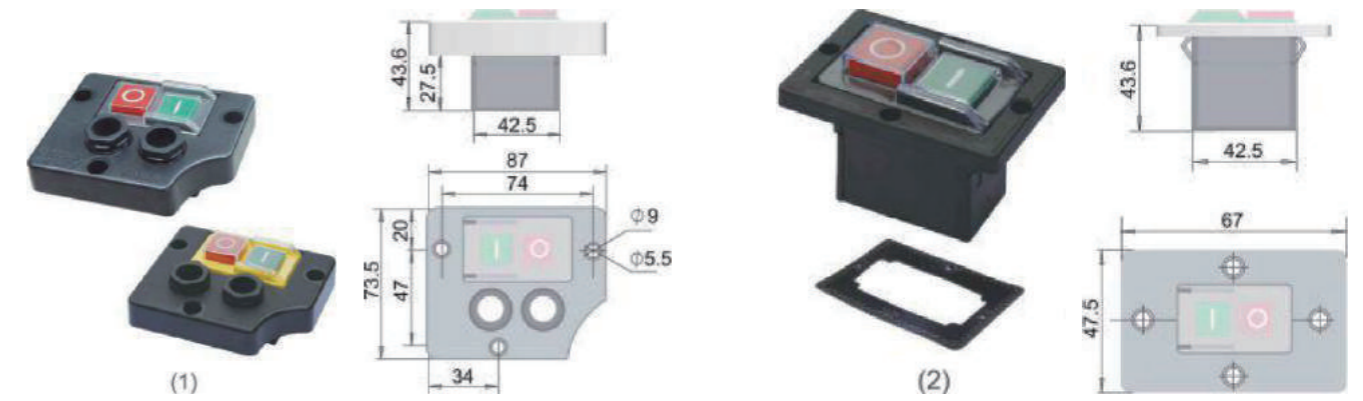
- Rated Voltage: 125V/250V
- Rated Current: 10(8)V/6(4)A
- Life Time: 50000
- Classification of Protection: IP54
- Terminator: 4.8×0.8



Better better waterproof



LWHCK1

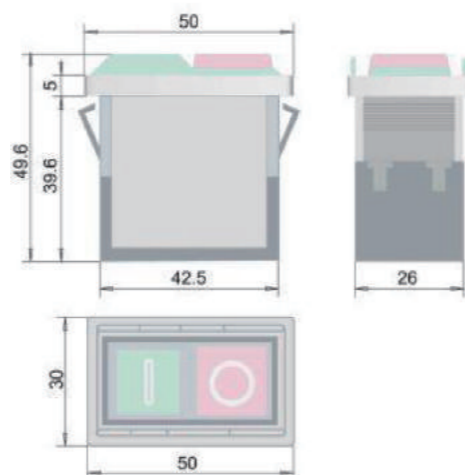


It combines the electromagnetic switches(CK1F) and different cases and panels to form various switches they have the function to protect from poweroff and low voltage

LWCK-1A

Main Data

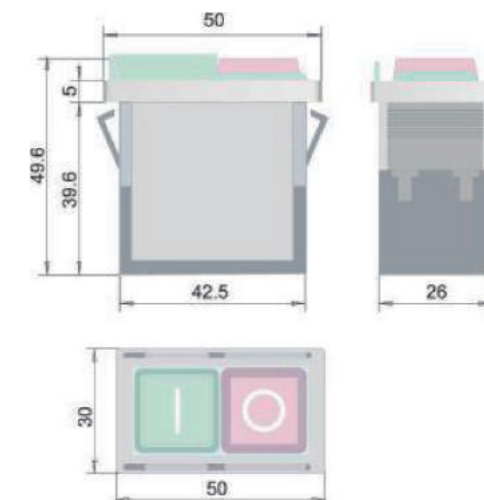
- Rated Voltage: 125V/250V
- Rated Current: 10(8)A/6(4)A
- Life Time: 50000
- Classification of Protection: IP54
- Terminator: 4.8×0.8



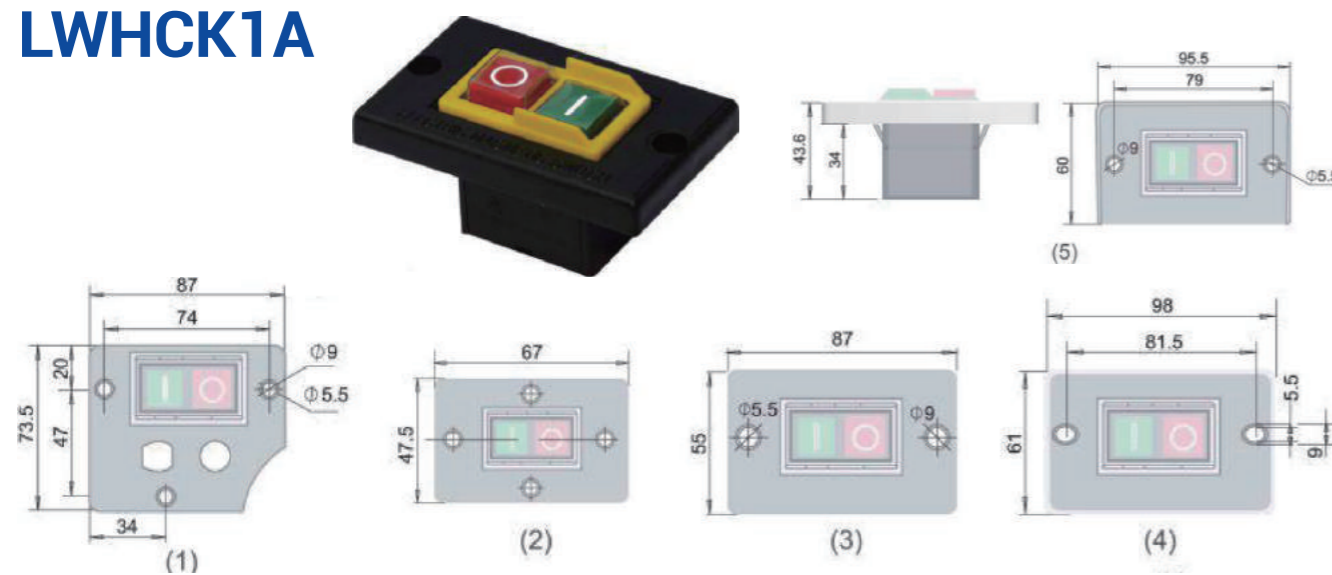
LWCK-1B

Main Data

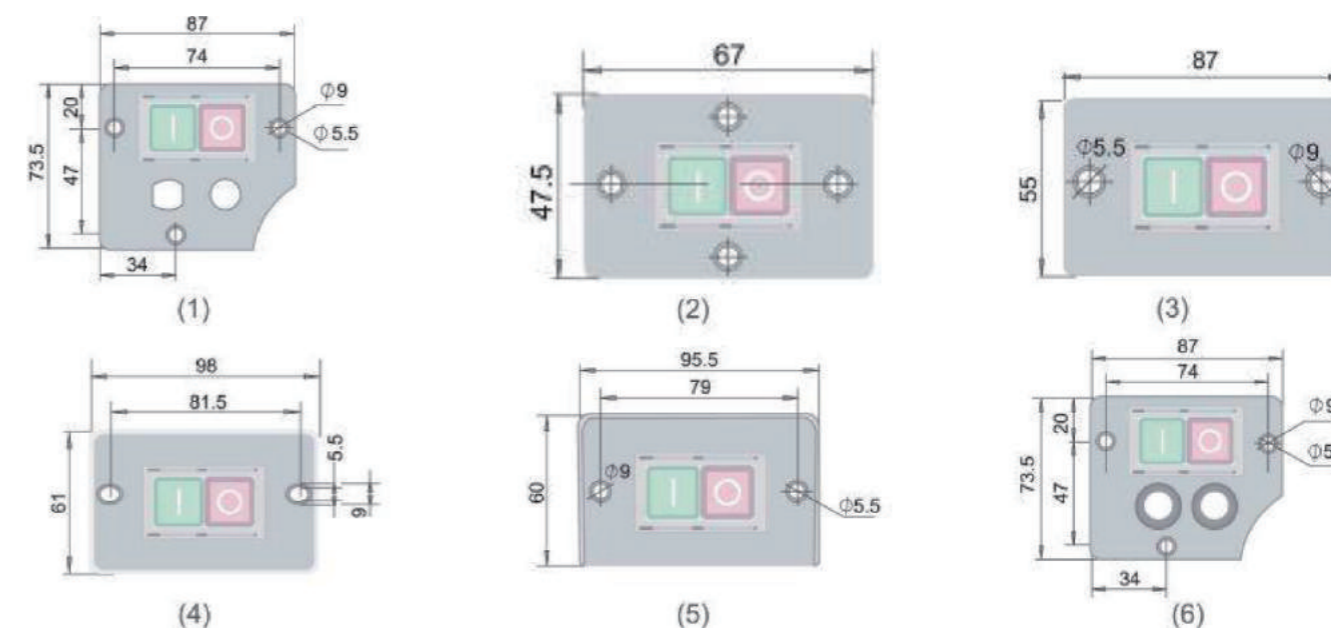
- Rated Voltage: 250V
- Rated Current: 10(10)A
- Life Time: 50000
- Classification of Protection: IP54
- Terminator: 4.8×0.8



LWHCK1A



It combines the CK1A electromagnetic switches and different cases, and panels to form various switches. They have the function to protect from poweroff and low voltage.

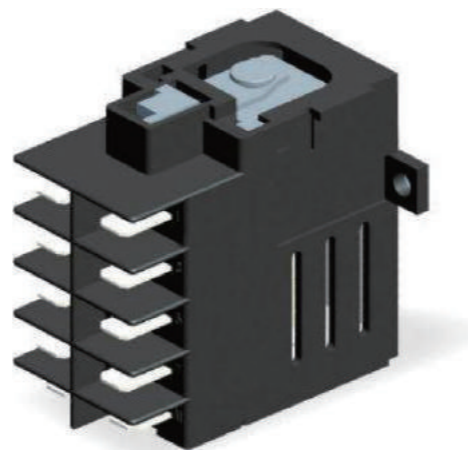


It combines the CK1B electromagnetic switches and different cases, and panels to form various switches. They have the function to protect from poweroff and low voltage.

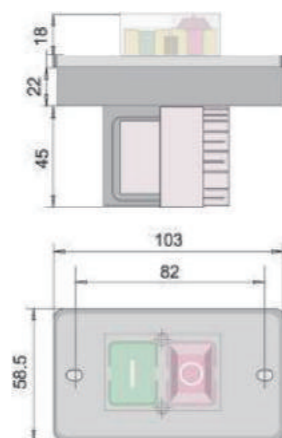
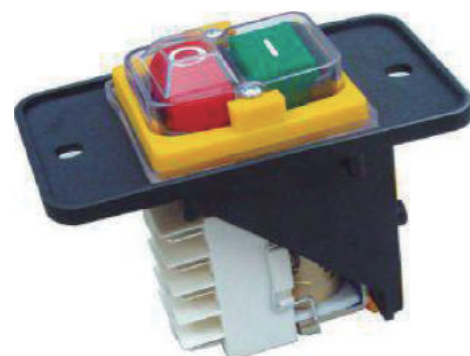
LWCK3A

Main Data

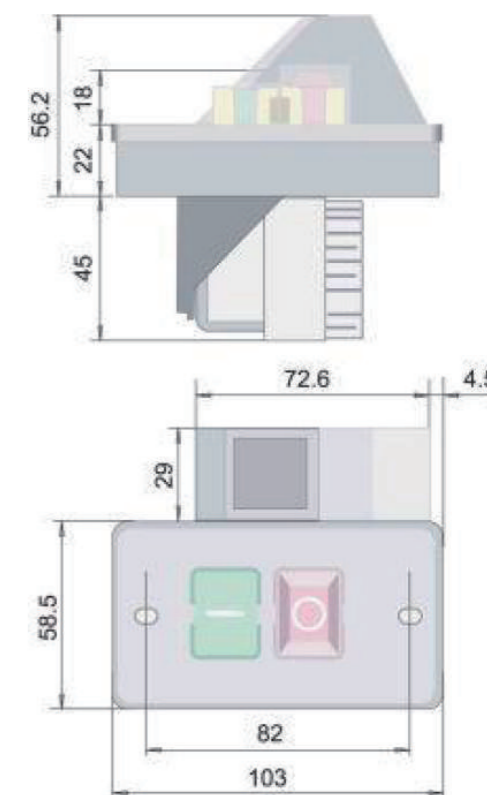
- Rated Voltage: 250V/400V
- Rated Current: 16(13)A/16(10)A
- Life Time: 50000
- Terminator: 6.3×0.8



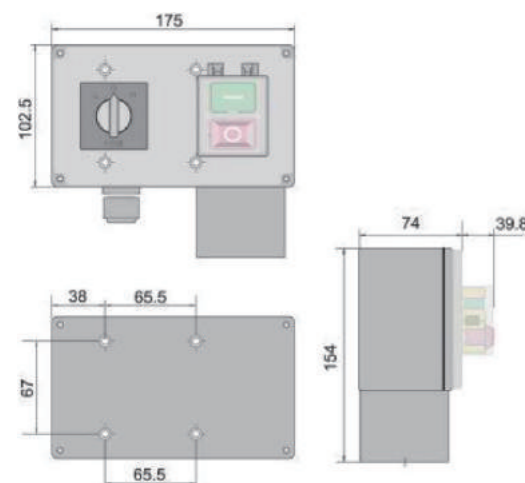
LWCK3



LWCK3Z



LWHCK13



LWCK3Z/C

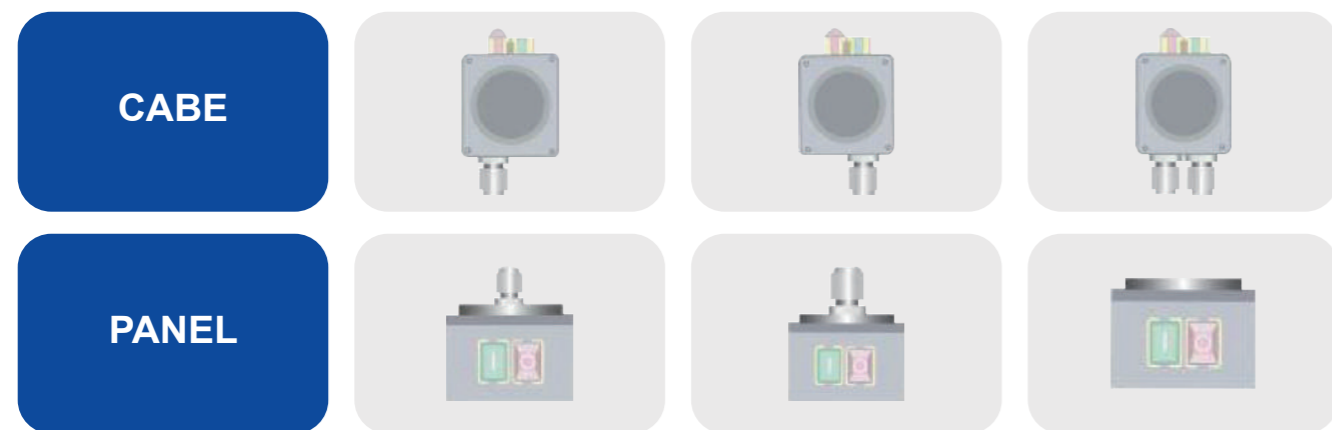
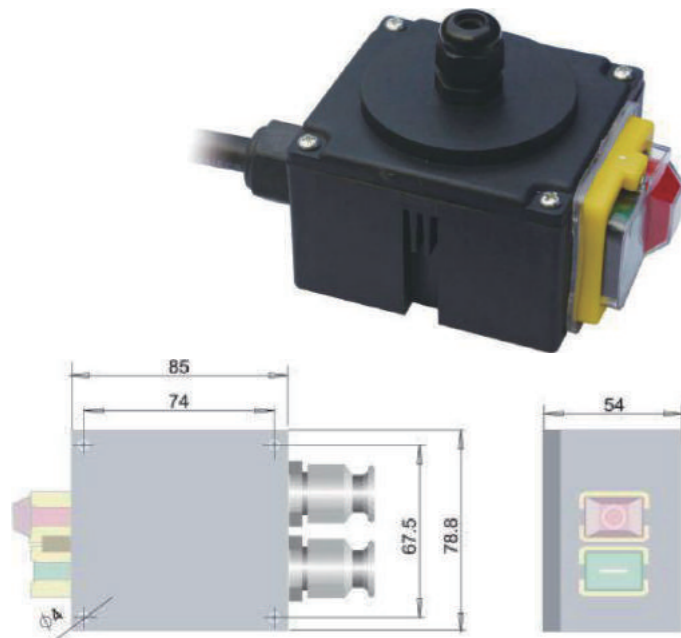
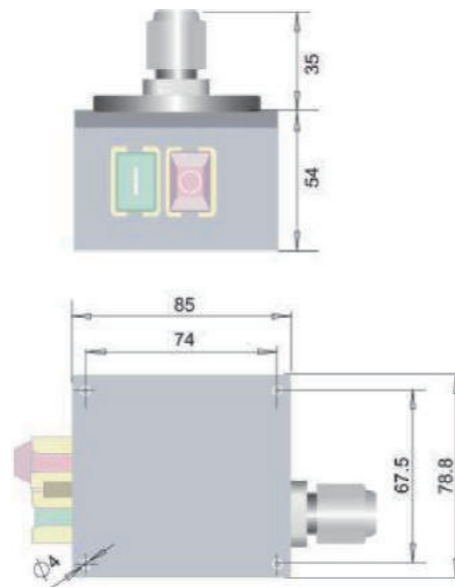
It combines the electromagnetic switches,panels form various switches. They have the function to protect from power-off and low voltage.

It combines the electromagnetic switches panels form various switche they have the function to protect from power-off and low voltage

LWHCK3

Main Data

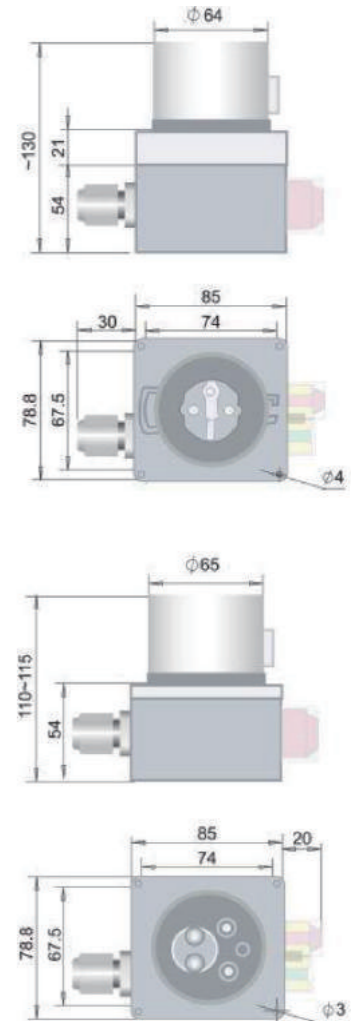
- Rated Voltage: 250V/400V
- Rated Current: 16(13)A/13(10)A
- Life Time: 50000
- Classification of Protection: IP54
- Terminator: 6.3×0.8



LWHCK3T

Main Data

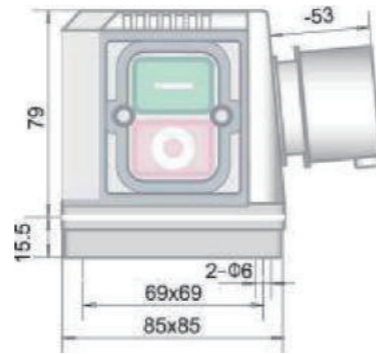
- Rated Voltage: 250V/400V
- Rated Current: 16(13)A/13(10)A
- Life Time: 50000
- Classification of Protection: IP54
- Terminator: 6.3×0.8



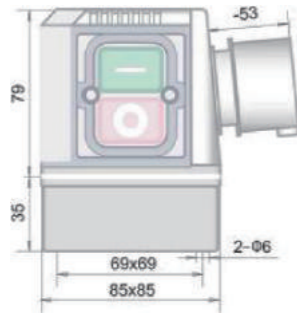
LWHCK10T

Main Data

- Rated Voltage: 250V/400V
- Rated Current: 16(13)A/13(10)A
- Life Time: 50000
- Terminator: 6.3×0.8
- Classification of Protection: IP54



(1)



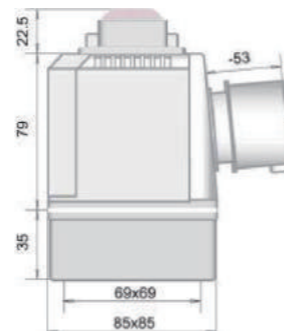
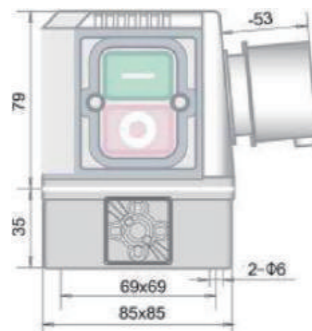
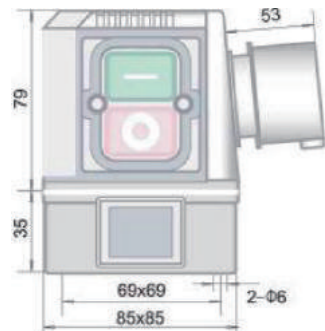
(2)



(4)



(5)



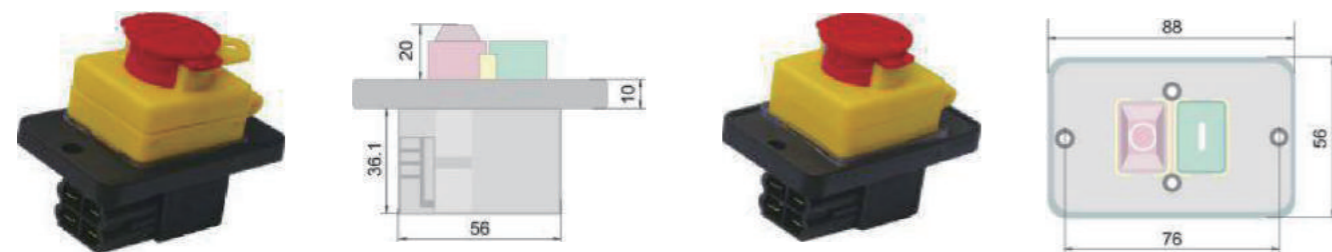
It combines the electromagnetic switches and different cases and panels to Form various switche they have the function to protect from poweroff and low voltage

Function	Voltage/Frequency	Panel	Case	Button Mark	Reversing Switch	Plug	Accessory
1 	1 250V/50Hz	1 	1 	1 	1 	1 Single Phase Black Plug	1 Waterproof Cover
2 	2 400V/50Hz	2 	2 	2 	2 	2 Single Phase Black Plug	2 Waterproof Cover Emergency Stop
3 	4 	3 	3 		3 Resettable Overcurrent Protection	3 Three Phase Plug	
5 		4 	4 			4 Three Phase Plug	
6 			5 			5 Three Phase Reversing Plug	
7 With Auxiliary Contact 	8 With Auxiliary Contact 		6 				
电线电缆 Electric Cable	1 2x1mm ²	2 3x1mm ²	3 5x1mm ²	4 3x1.5mm ²	5 4x1.5mm ²	6 5x1.5mm ²	
线端 Terminal	1 红铜头 Red reason	2 叉形片 Piece	3 1.5mm铜管 + 塑料管 clamps+tube	4 1.5mm铜管 + 塑料管 clamps+tube			

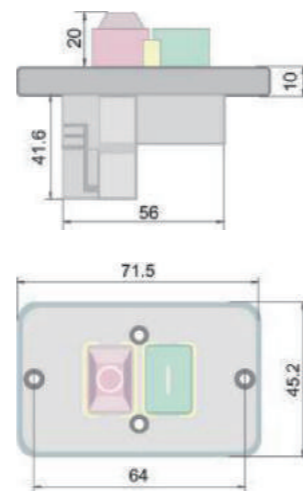
LWCK-5

Main Data

- Rated Voltage: 125V/250V
- Rated Current: 16(12)A/10(8)A
- Life Time: 50000
- Terminator: 6.3×0.8

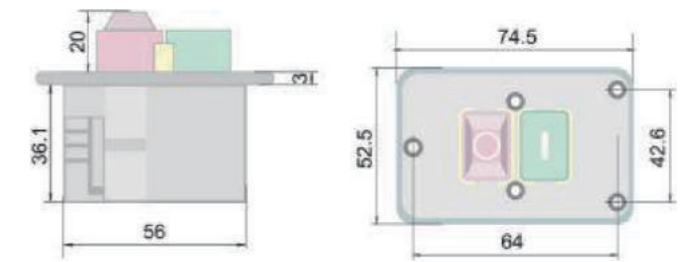


LWCK-5-11

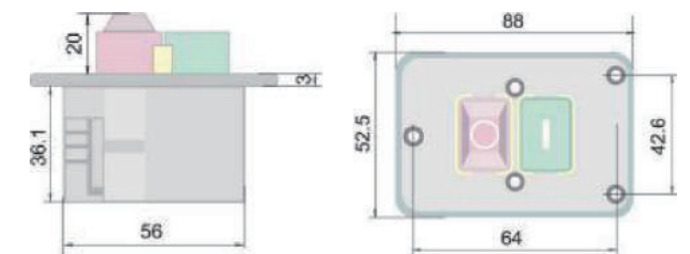


It combines the electromagnetic switches, and different cases, panels and cable joints form various switch. They have the function to brake the motor and protect from power-off and low voltage.

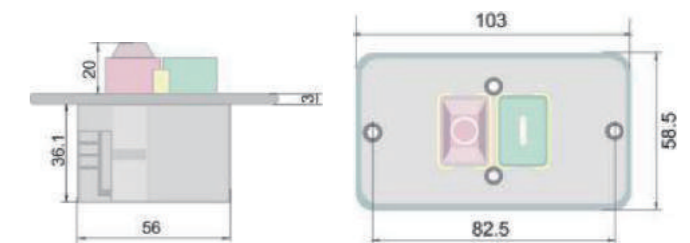
M



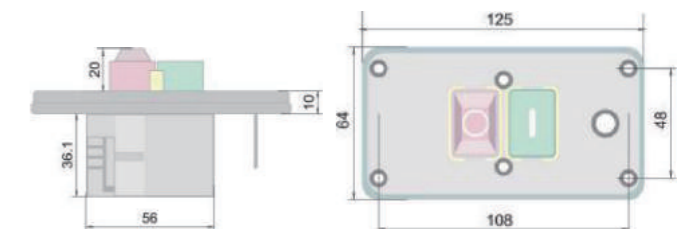
N



LW610D



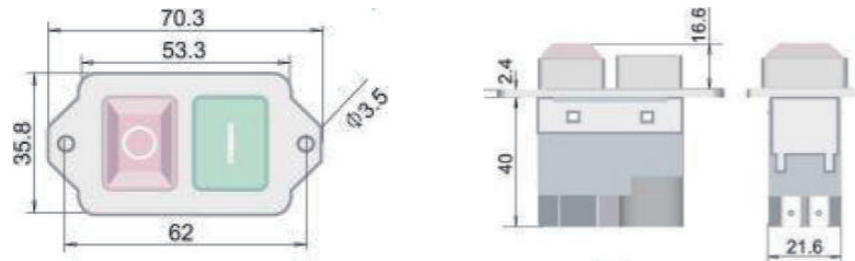
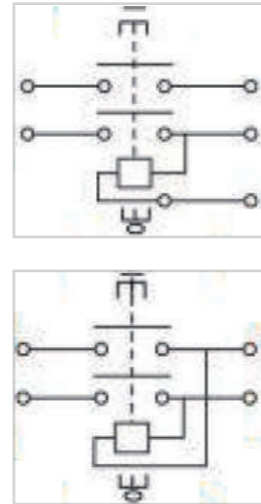
LWB102



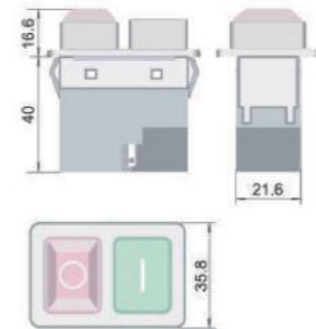
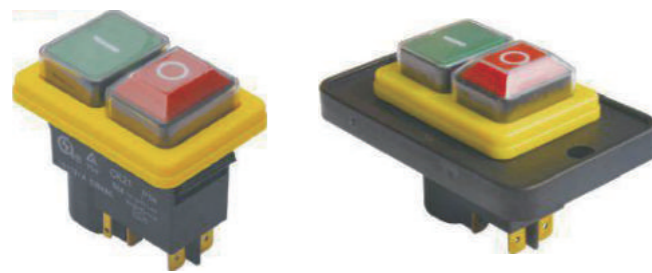
LWCK21

Main Data

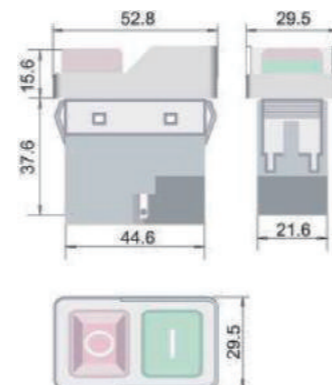
- Rated Voltage: 125V/250V
- Rated Current: 16(12)A/16(12)A
- Life Time: 50000
- Classification of Protection: IP54
- Terminator: 6.3×0.8



LWCK21A



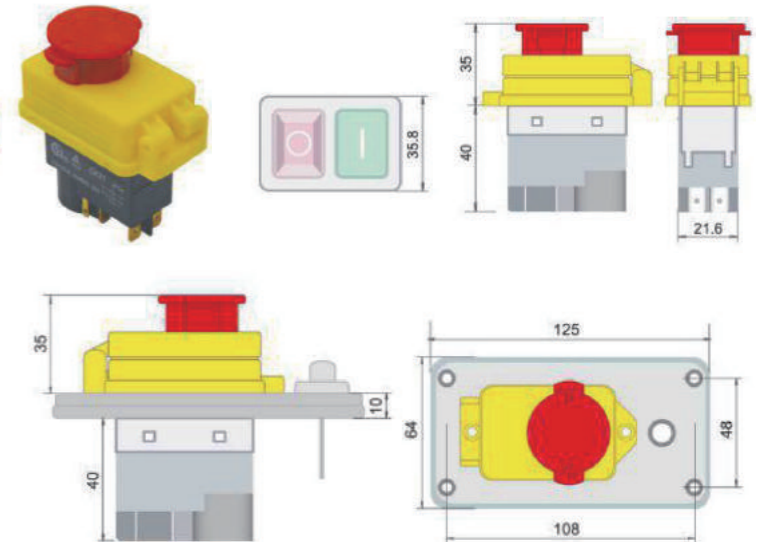
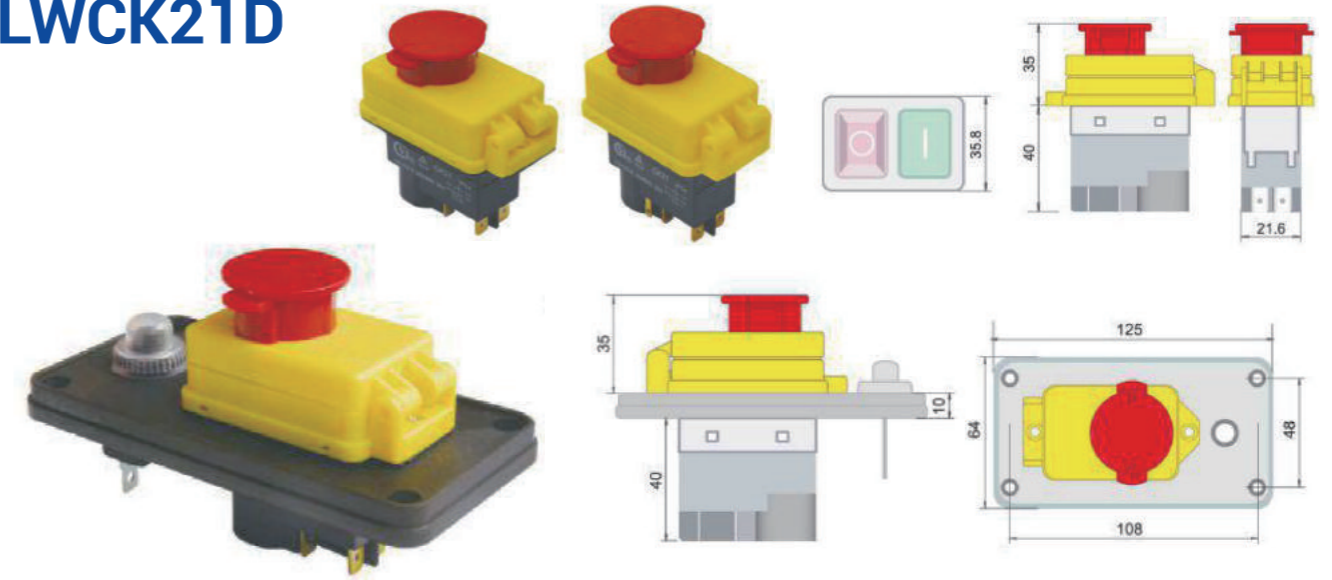
LWCK21B



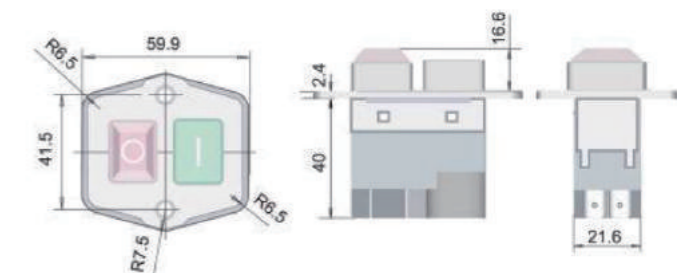
LWCK21C



LWCK21D



LWCK21E

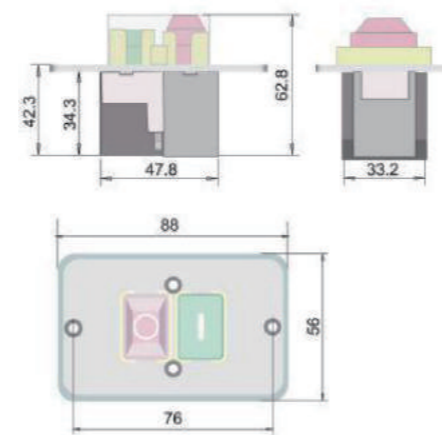
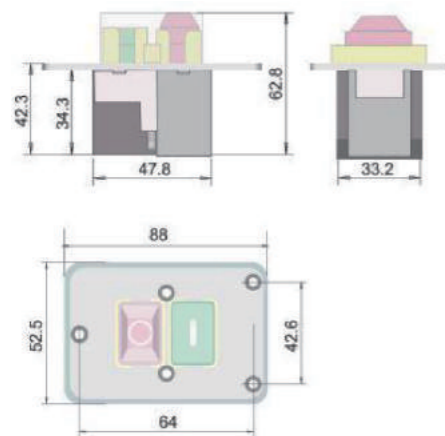
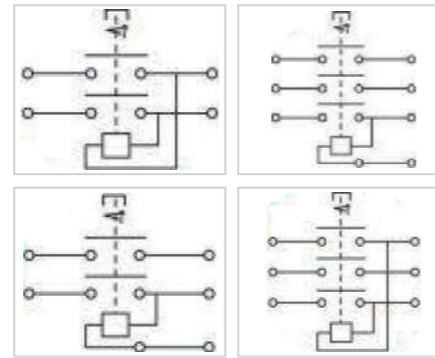


It combines the electromagnetic switches, and different cases, and panels to form various switch. They have the function to protect from power-off and low voltage.

LWCK31

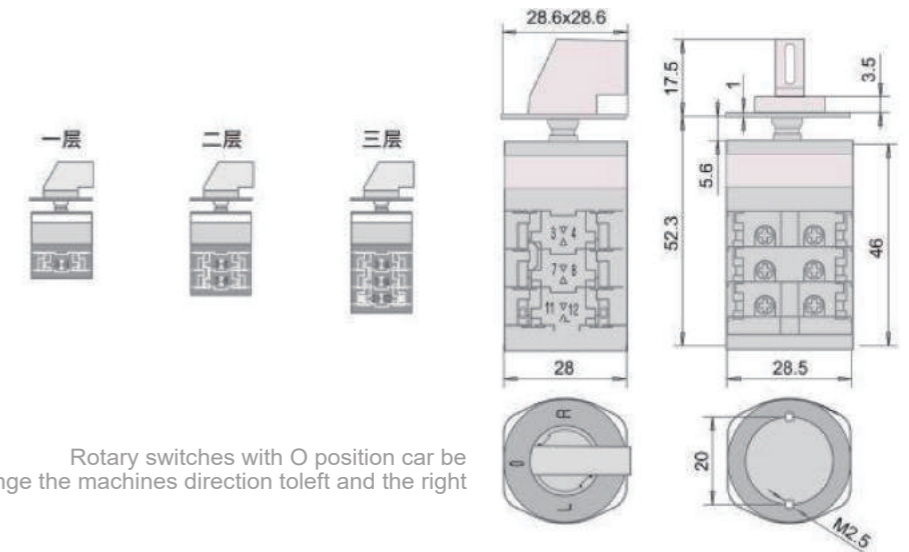
Main Data

● Phase:	Single and three
● Terminator:	6.3×0.8
● Life Time:	50000
● Rated Voltage:	1250V/230V 400V~ 250V~ 400V~
● Rated Current:	15(12)A 10(8)A
	AC-1:15A 10A
	AC-3:12A 8A
	AC-15:6A 6A



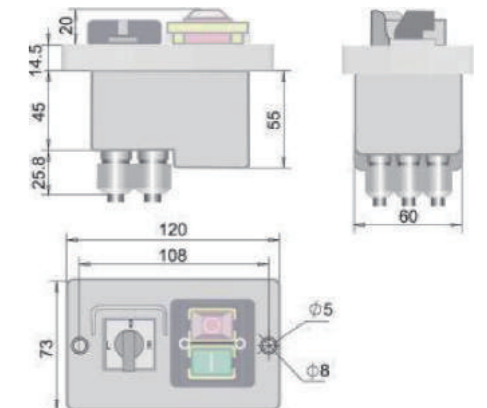
It combines the electromagnetic switches and different cases and panels to form various switch. They have the function to protect from poweroff and low voltage.

LWHZ21

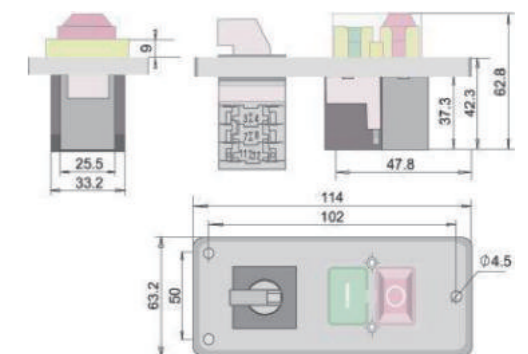


Rotary switches with O position can be used to change the machine's direction to left and the right.

LWHCK6



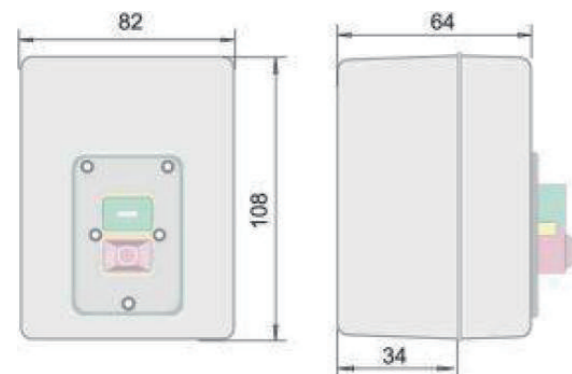
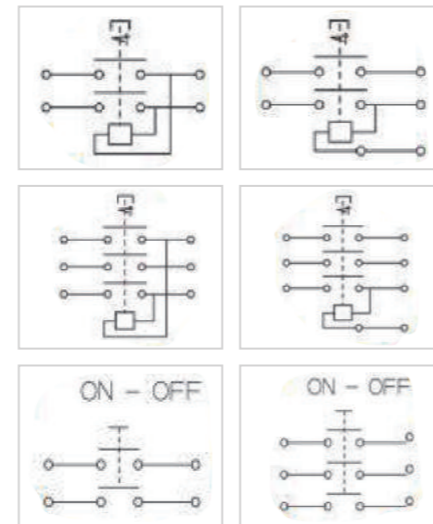
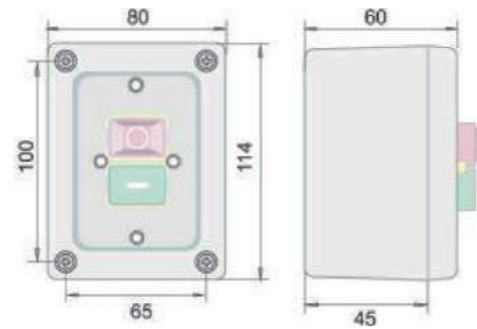
LWHCK31



LWHCK5

Main Data

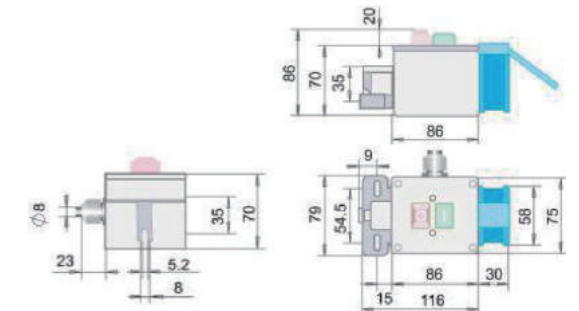
- Phase: Single and three
 - Terminator: 6.3×0.8
 - Life Time: 50000
 - Rated Voltage: 1250V/230V 400V~ 250V~ 400V~
 - Rated Current: 15(12)A 10(8)A
- | | |
|----------|-----|
| AC-1:15A | 10A |
| AC-3:12A | 8A |
| AC-15:6A | 6A |



LWHCK7

Main Data

- Rated Voltage: 125V/250V
- Rated Current: 16(12)A/10(8)A
- Life Time: 50000
- Classification of Protection: IP54
- Terminator: 6.3×0.8



PLUG/SOCKET



British Plug Socket



German Plug Socket



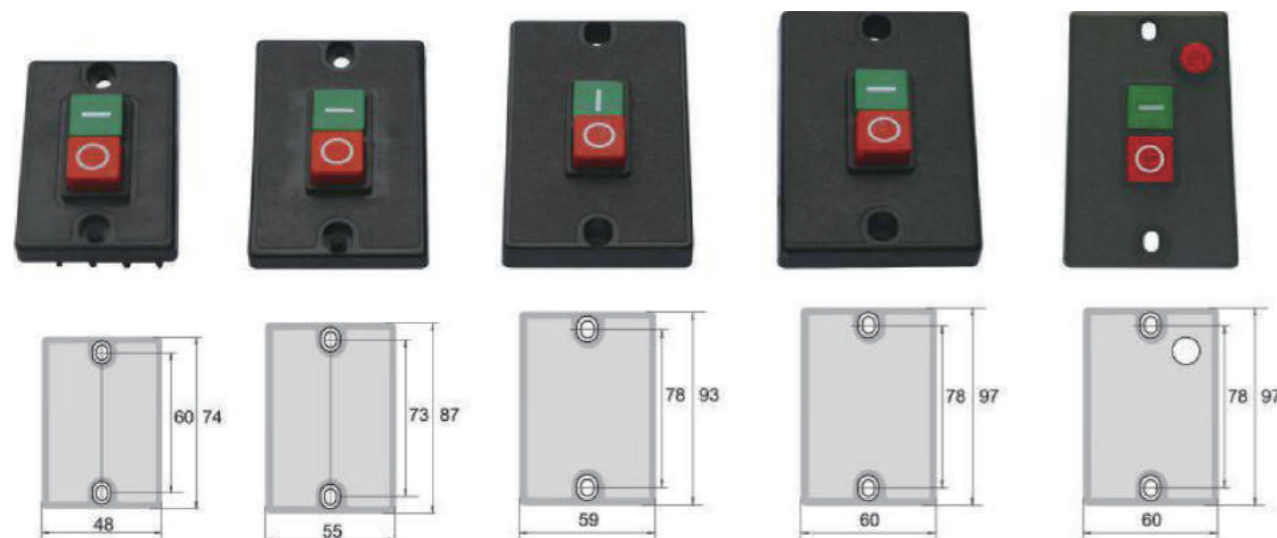
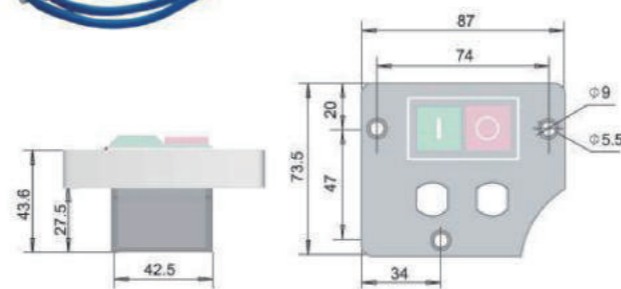
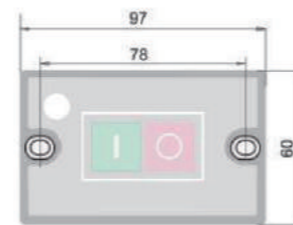
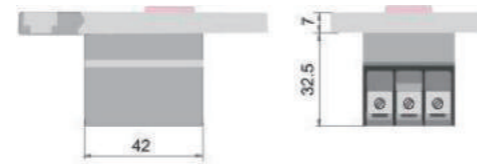
Australian Plug Socket

It combines the electromagnetic switches and different cases, panels, plugs and sockets to form various switches. They have the function to protect from power-off and low voltage.

LWDA7

Main Data

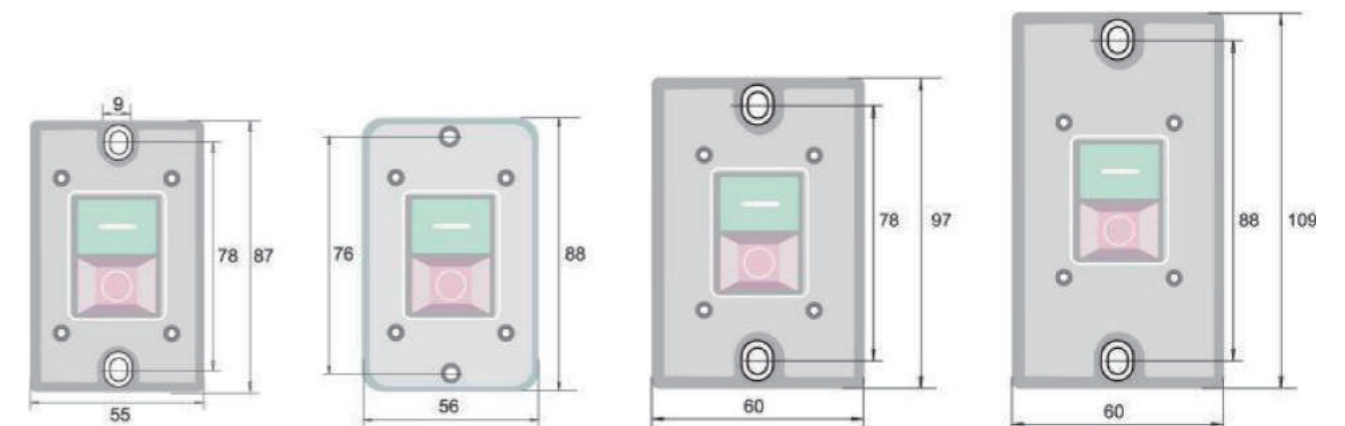
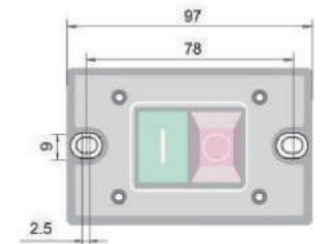
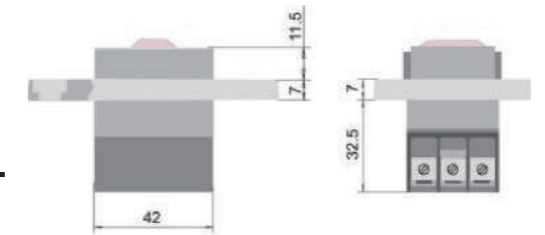
- Rated Voltage: 250V/380V
- Rated Current: 15A/30A
- Mounting Hole: 2-Φ4.5
- Life Time: 50000



LWDA8

Main Data

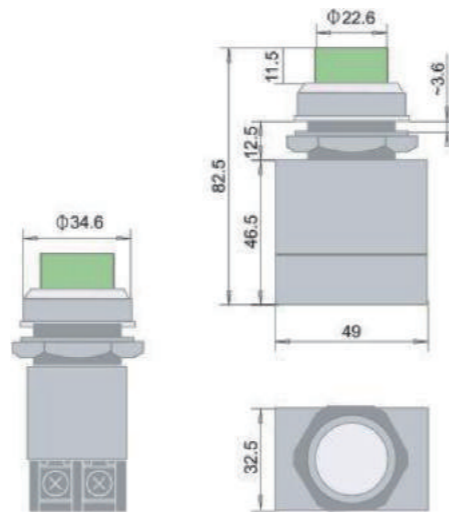
- Rated Voltage: 250V/380V
- Rated Current: 15A/30A
- Mounting Hole: 2-Φ4.5
- Life Time: 50000



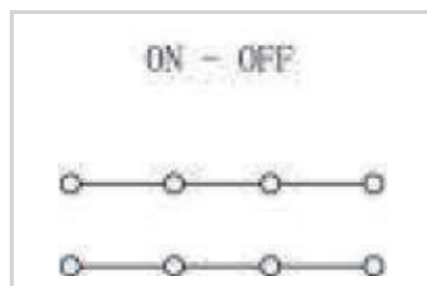
LWFA8

Main Data

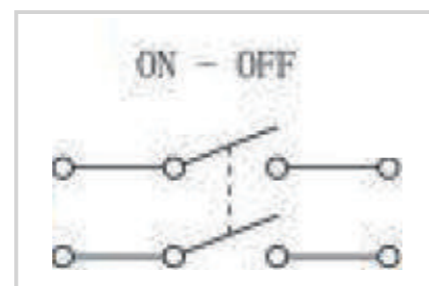
- Rated Voltage: 125V/250V
- Rated Current: 20A/15(12)A
- Mounting Hole: $\Phi 30.5$
- Life Time: 50000
- Classification of Protection: IP54



LWFA8B



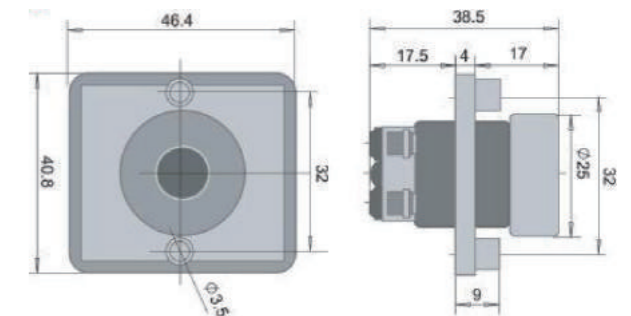
LWFA8



LWFA13

Main Data

- Rated Voltage: 250VAC
- Rated Current: 10A
- Terminator: 4.8x0.8/6.3x0.8
- Life Time: 50000

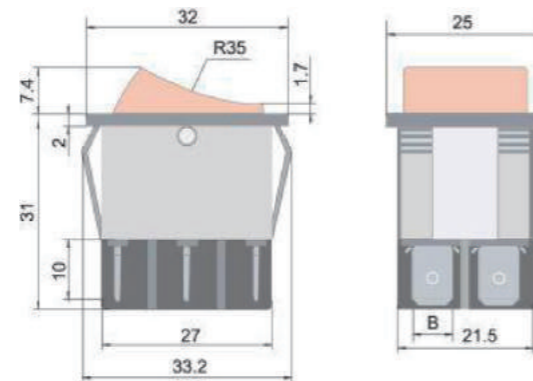


TERMINATOR TYPE	6.3 PIN	4.8 PIN	
ACCESSARY	No Accessary	Emergency Stop	Emergency Stop / Lock

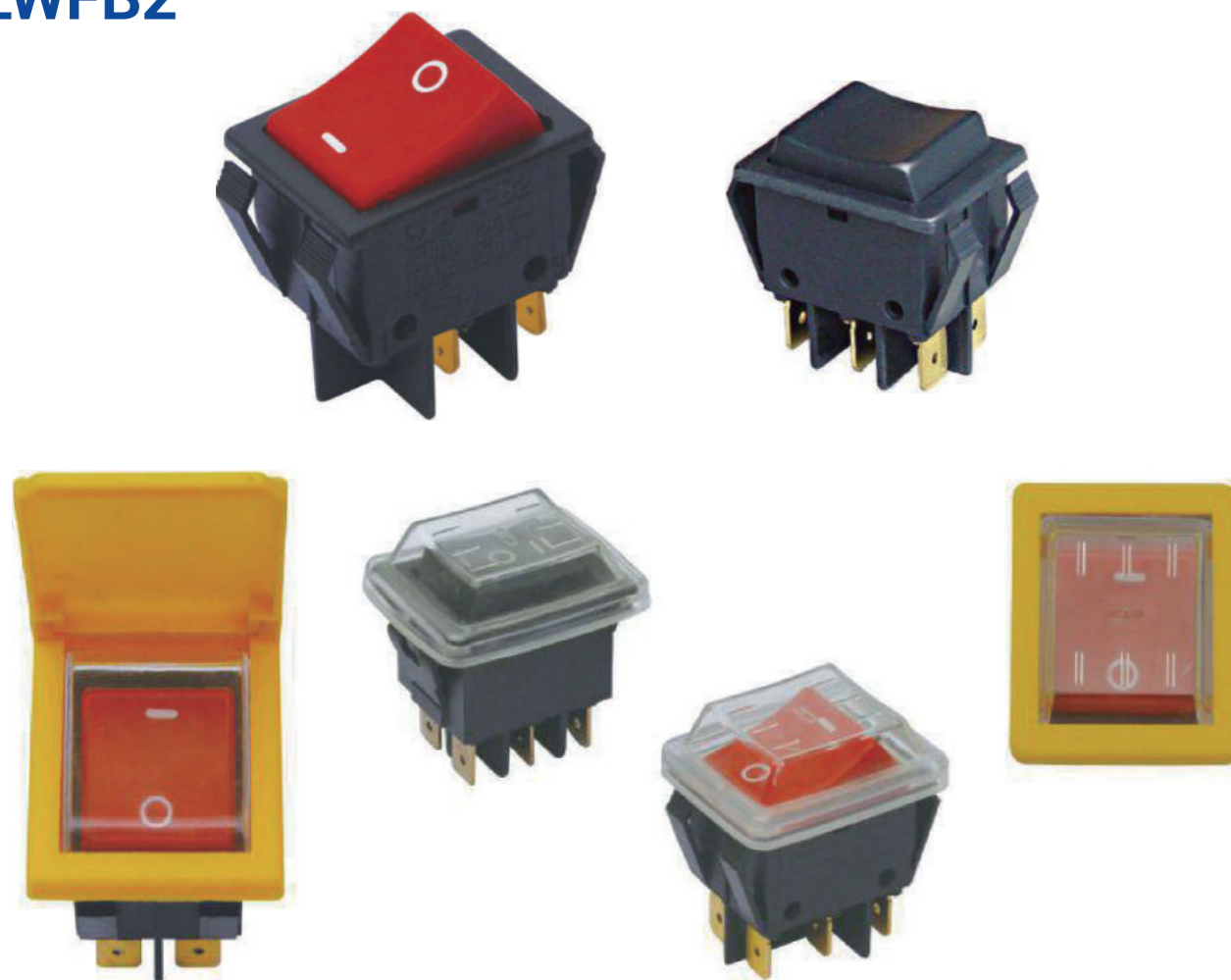
LWFB2/LWHFB2/LWFB10

Main Data

- Rated Voltage: 125V/250V
- Rated Current: 16(8)A/10(6)A
- Mounting Hole: 29.5×22
- Life Time: 50000
- Terminator: 6.3×0.8/4.8×0.8



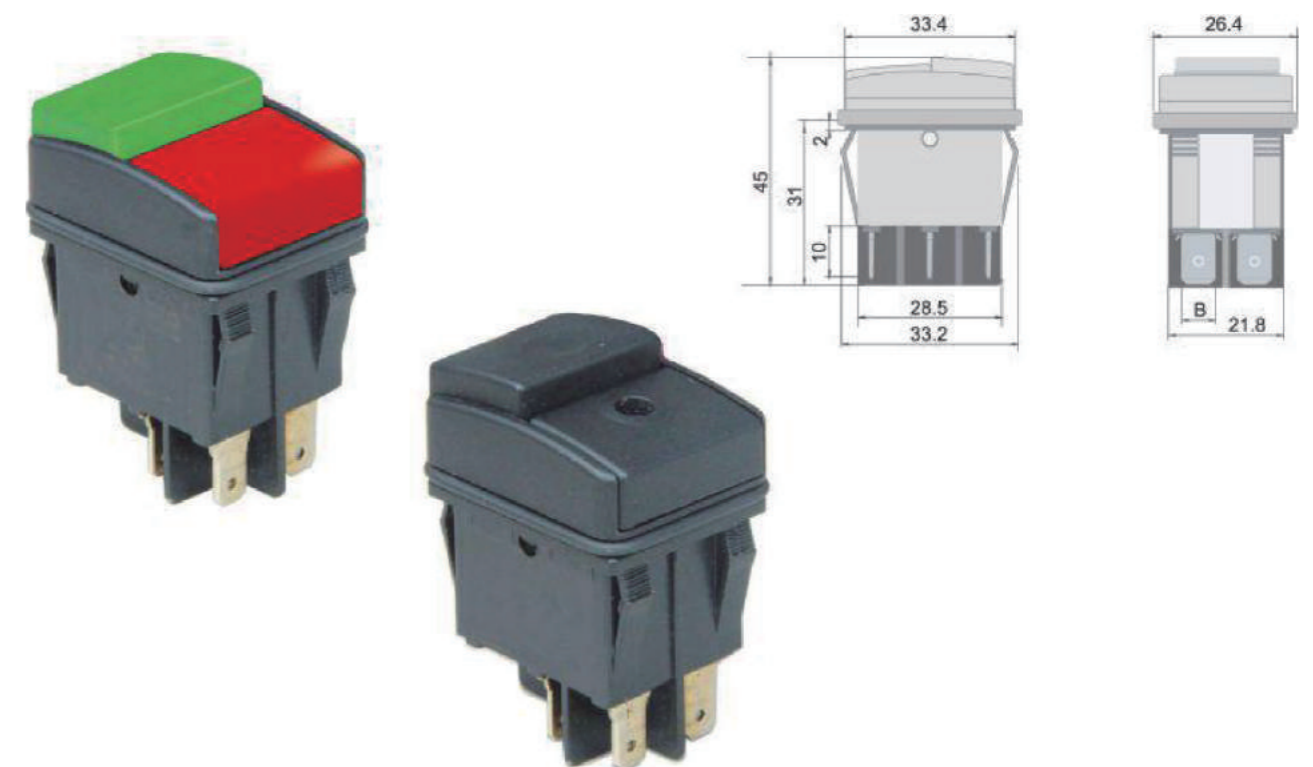
LWFB2



LWHFB2



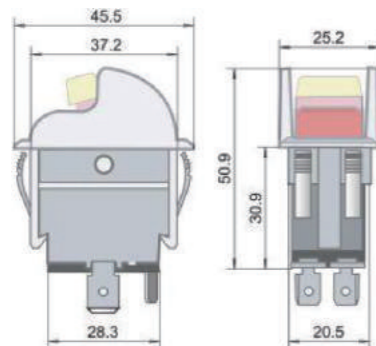
LWFB10



LW FY2

Main Data

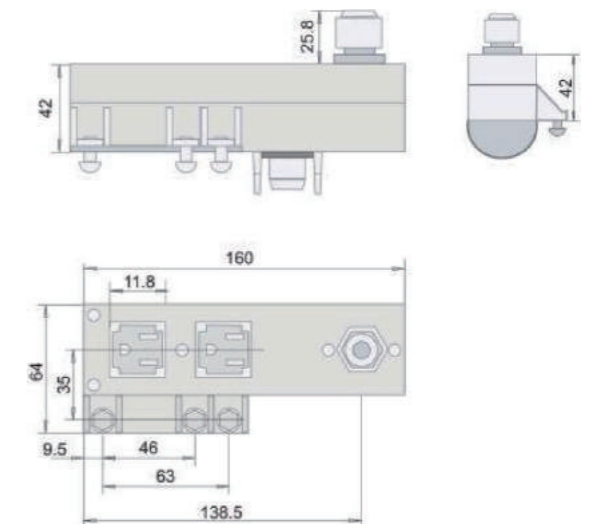
- Rated Voltage: 125V/250V
- Rated Current: 15A/7.5A
- Mounting Hole: 37×21
- Life Time: 50000



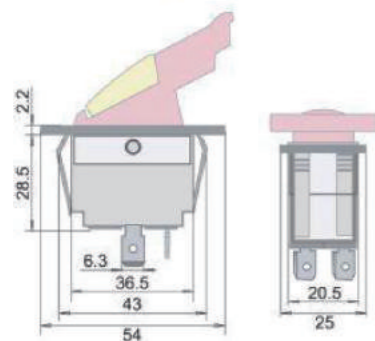
LW H FY2



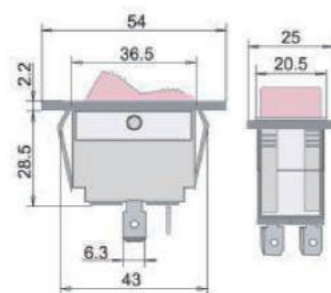
LW H FY2



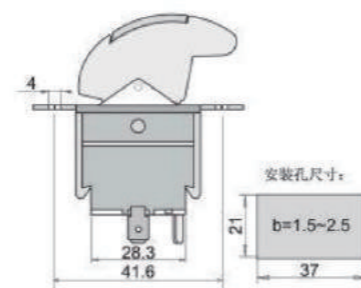
LW FY2A



LW FY2B



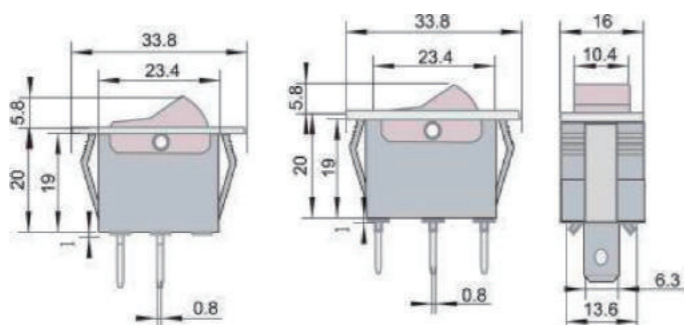
LW FY2C



LWFB9

Main Data

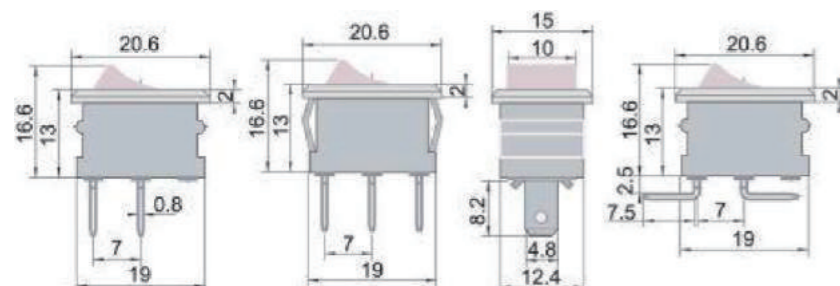
- Rated Voltage: 125V/250V
- Rated Current: 16(8)A/10(6)A
- Mounting Hole: 27.8×13.6
- Life Time: 50000
- Terminator: 6.3×0.8



LWFB3

Main Data

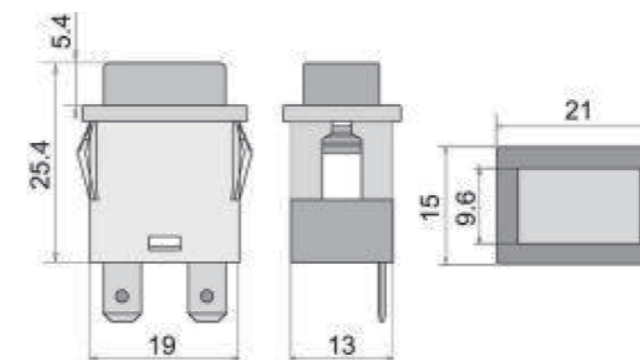
- Rated Voltage: 125V/250V
- Rated Current: 10A/6A
- Mounting Hole: 19×12.5
- Life Time: 50000
- Terminator: 4.8×0.8



LWFA12

Main Data

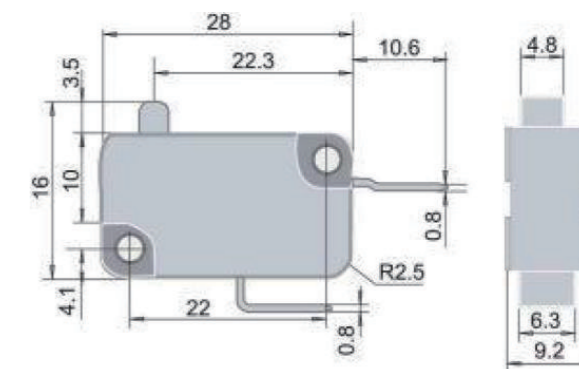
- Rated Voltage: 250V
- Rated Current: 10(4)A
- Terminator: 4.8×0.8
- Life Time: 50000



LWWA1

Main Data

- Rated Voltage: 125V/250V
- Rated Current: 10A/6A
- Life Time: 50000



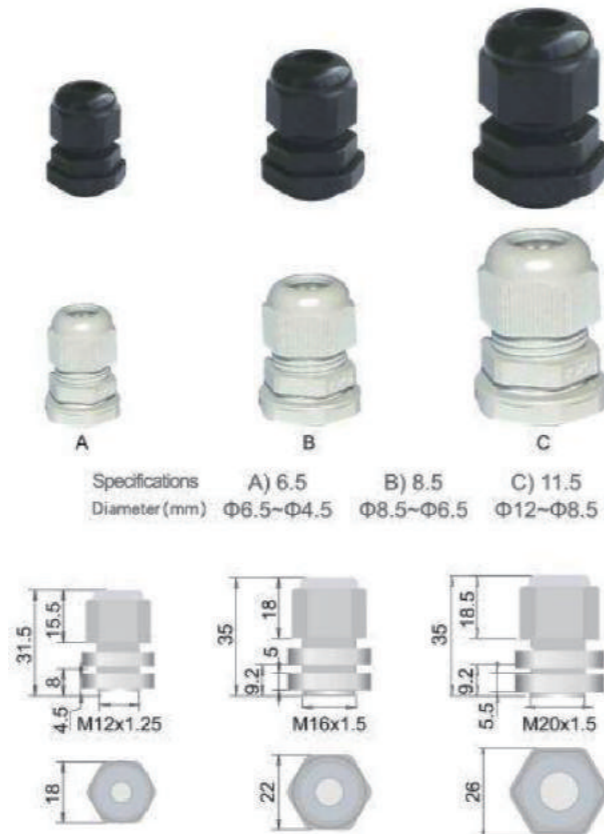
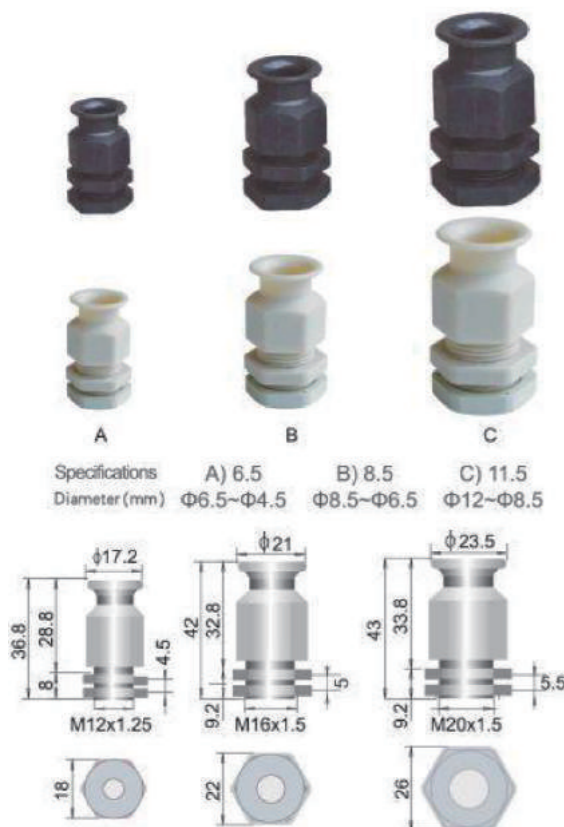
LWT04

Main Data

- Tensile Strength: 120N/11.5 75N/8.5 75N/6.54
- Resistant to Impact Category: 3 Types
- Classification of Protection: IP57
- Environmental Temperature: -20℃ ~ 65℃
- Applicable Enciorment: Suitable for environments with salt mist and sulfur dioxide gas

LWT04 Bell Connector

LWT04A Ordinary Connector



They can be used to lock the cable with sealing, corrosion-resisting anti-extending, anti-rotating functions

Industrial Plug



LWP11341

- Rated Parameters: 16A/100-130V~
- Extremum/Grounding Position: 2P+E/4h
- Classification of Protection: IP44
- Applicable Wire Diameter: 8-18mm

LWP12341

- Rated Parameters: 16A/200-250V~
- Extremum/Grounding Position: 2P+E/6h
- Classification of Protection: IP44
- Applicable Wire Diameter: 8-18mm



LWP12441

- Rated Parameters: 16A/200-250V~
- Extremum/Grounding Position: 3P+E/9h
- Classification of Protection: IP44
- Applicable Wire Diameter: 8-18mm

LWP14441

- Rated Parameters: 16A/380-415V~
- Extremum/Grounding Position: 3P+E/6h
- Classification of Protection: IP44
- Applicable Wire Diameter: 8-18mm



LWP14541

- Rated Parameters: 16A/380-415V~
- Extremum/Grounding Position: 3P+N+E/6h
- Classification of Protection: IP44
- Applicable Wire Diameter: 8-18mm



LWP14541-D

- Rated Parameters: 16A/380-415V~
- Extremum/Grounding Position: 3P+N+E/6h
- Classification of Protection: IP44
- Applicable Wire Diameter: 8-18mm



LWS12441

- Rated Parameters: 16A/200-250V~
- Extremum/Grounding Position: 3P+E/9h
- Classification of Protection: IP44
- Applicable Wire Diameter: 8-18mm



LWS14441-1

- Rated Parameters: 16A/380-415V~
- Extremum/Grounding Position: 3P+E/6h
- Classification of Protection: IP44
- Applicable Wire Diameter: 8-18mm

Industrial Socket



LWS11341-1

- Rated Parameters: 16A/100-130V~
- Extremum/Grounding Position: 2P+E/4h
- Classification of Protection: IP44
- Applicable Wire Diameter: 8-18mm



LWS12341

- Rated Parameters: 16A/200-250V~
- Extremum/Grounding Position: 2P+E/6h
- Classification of Protection: IP44
- Applicable Wire Diameter: 8-18mm



LWS14541

- Rated Parameters: 16A/380-415V~
- Extremum/Grounding Position: 3P+N+E/6h
- Classification of Protection: IP44
- Applicable Wire Diameter: 8-18mm

Concealed Plug



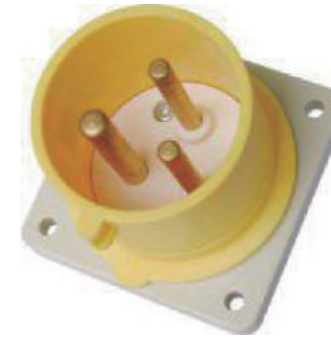
LWFP11341

- Rated Parameters: 16A/100-130V~
- Extremum/Grounding Position: 2P+E/4h
- Classification of Protection: IP44



LWFP12341

- Rated Parameters: 16A/200-250V~
- Extremum/Grounding Position: 2P+E/6h
- Classification of Protection: IP44



LWFP31341

- Rated Parameters: 32A/100-130V~
- Extremum/Grounding Position: 2P+E/6h
- Classification of Protection: IP44



LWFP32341

- Rated Parameters: 32A/100-130V~
- Extremum/Grounding Position: 2P+E/6h
- Classification of Protection: IP44



LWFP14441

- Rated Parameters: 16A/380-415V~
- Extremum/Grounding Position: 3P+E/6h
- Classification of Protection: IP44



LWFP14541

- Rated Parameters: 16A/380-415V~
- Extremum/Grounding Position: 3P+N+E/6h
- Classification of Protection: IP44



LWFP34441

- Rated Parameters: 32A/380-415V~
- Extremum/Grounding Position: 3P+E/6h
- Classification of Protection: IP44



LWFP34541

- Rated Parameters: 32A/380-415V~
- Extremum/Grounding Position: 3P+N+E/6h
- Classification of Protection: IP44

European-style Socket



LWP901

- Rated Parameters: 16A250V~
- Extremum/Grounding Position: 2P+E
- Classification of Protection: IP54



LWZ134A

- Rated Parameters: 15A250V~
- Extremum/Grounding Position: 2P+E
- Classification of Protection: IP54



LWZ134A1

- Rated Parameters: 10A 250V~
- Extremum/Grounding Position: 2P+E
- Classification of Protection: IP54



LWZ134D

- Rated Parameters: 16A 250V~
- Extremum/Grounding Position: 2P+E
- Classification of Protection: IP54



LWZ134E

- Rated Parameters: 13A250V~
- Extremum/Grounding Position: 2P+E
- Classification of Protection: IP54



LWZ134F

- Rated Parameters: 16A250V~
- Extremum/Grounding Position: 2P+E
- Classification of Protection: IP54



LWZ134F-1

- Rated Parameters: 16A 250V~
- Extremum/Grounding Position: 2P+E
- Classification of Protection: IP54



LWZ134K

- Rated Parameters: 16A 250V~
- Extremum/Grounding Position: 2P+E
- Classification of Protection: IP54



LWZ134S

- Rated Parameters: 10A 250V~
- Extremum/Grounding Position: 2P+E
- Classification of Protection: IP54