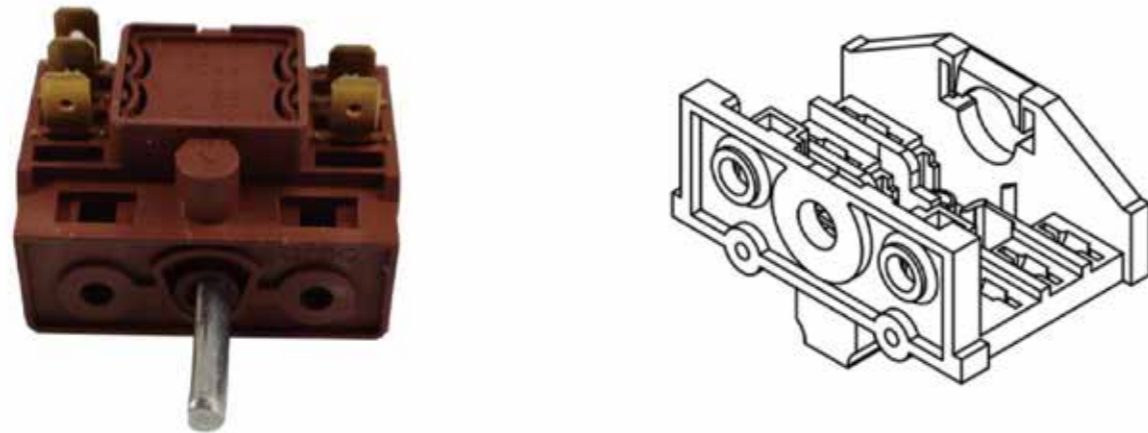
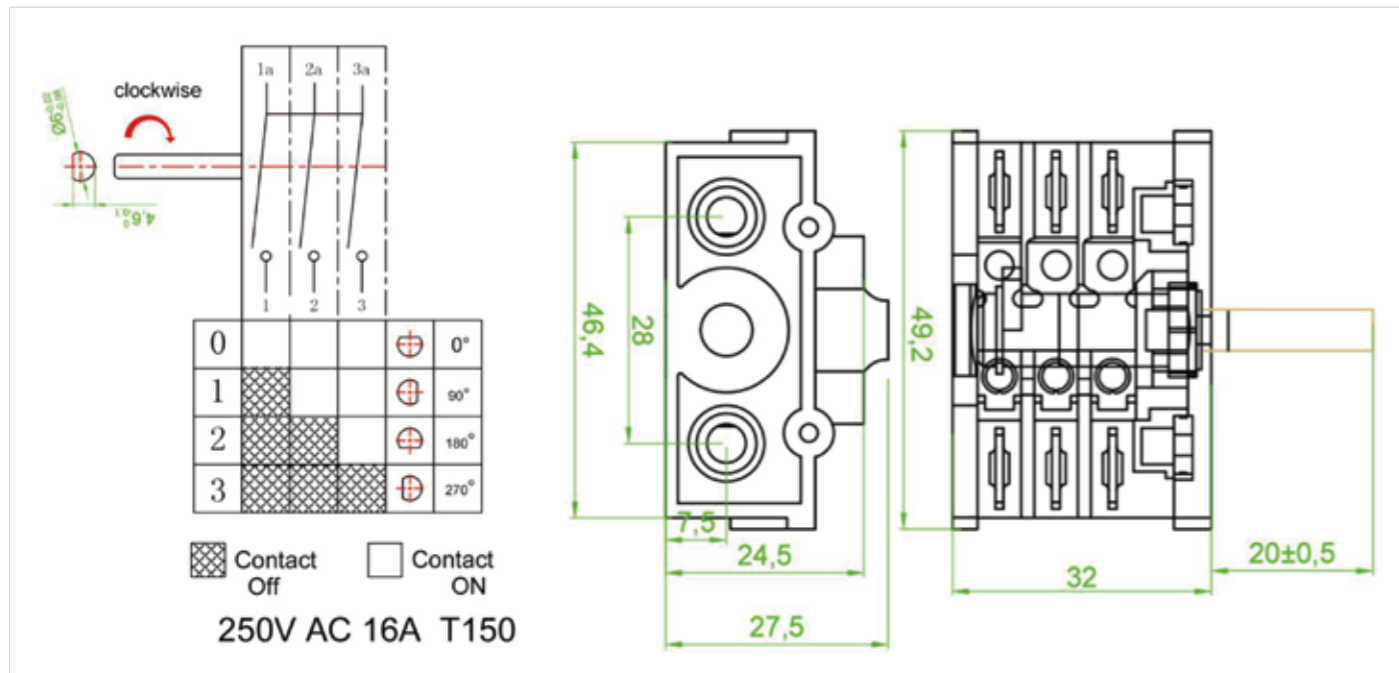


# Switch



### Technical Specifications

Rated Voltage Current:	16(8)A 250VAC/20A 125VAC	Contact Resistance:	≤50MΩ
Insulation Resistance:	≥7MΩ	Dielectric Strength:	1500VAC/5S/0.5mA
Temperature Range:	T125	Life Span:	≥10000 Time
Turn on Positon:	50±15°	Circuit Diagram 2P (ON) -OFF	

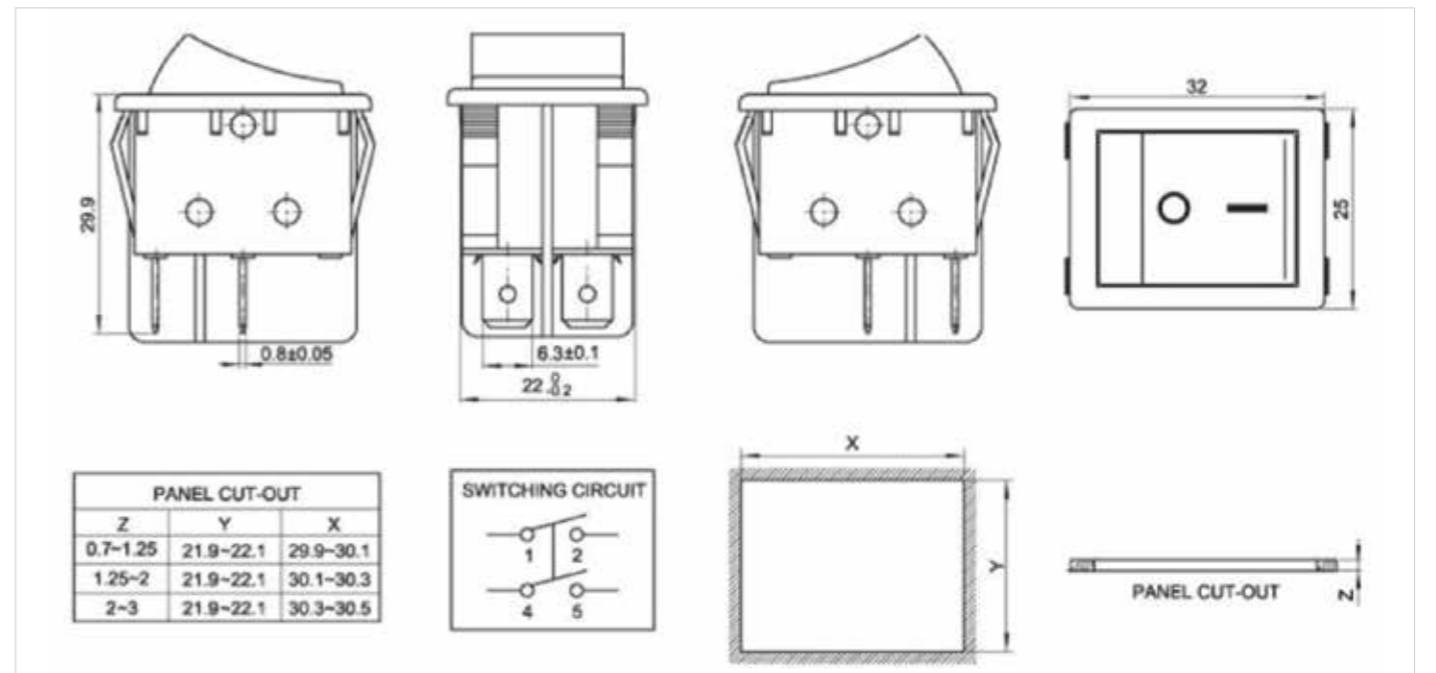


# Rocker Switch

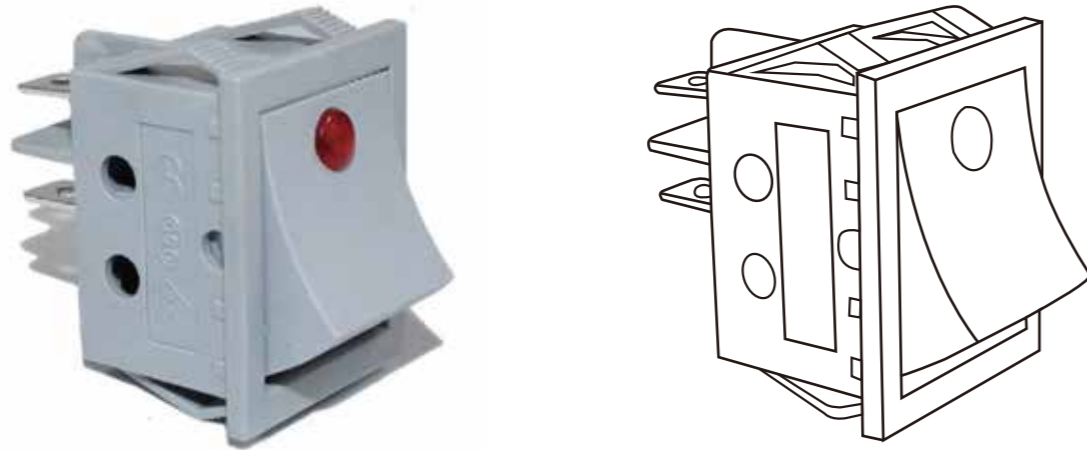


### Technical Specifications

Model:	LWKCD4-201	Rated Voltage:	16A/250V,20A/125V,16(10)A250V AC
Contact Resistance:	≤50MΩ	Insulation Resistance:	≥100MΩ
Dielectric Strength:	1500V AC/5S (Interpolar)	Temperature Range:	T85
Life Span:	≥10000 Time		

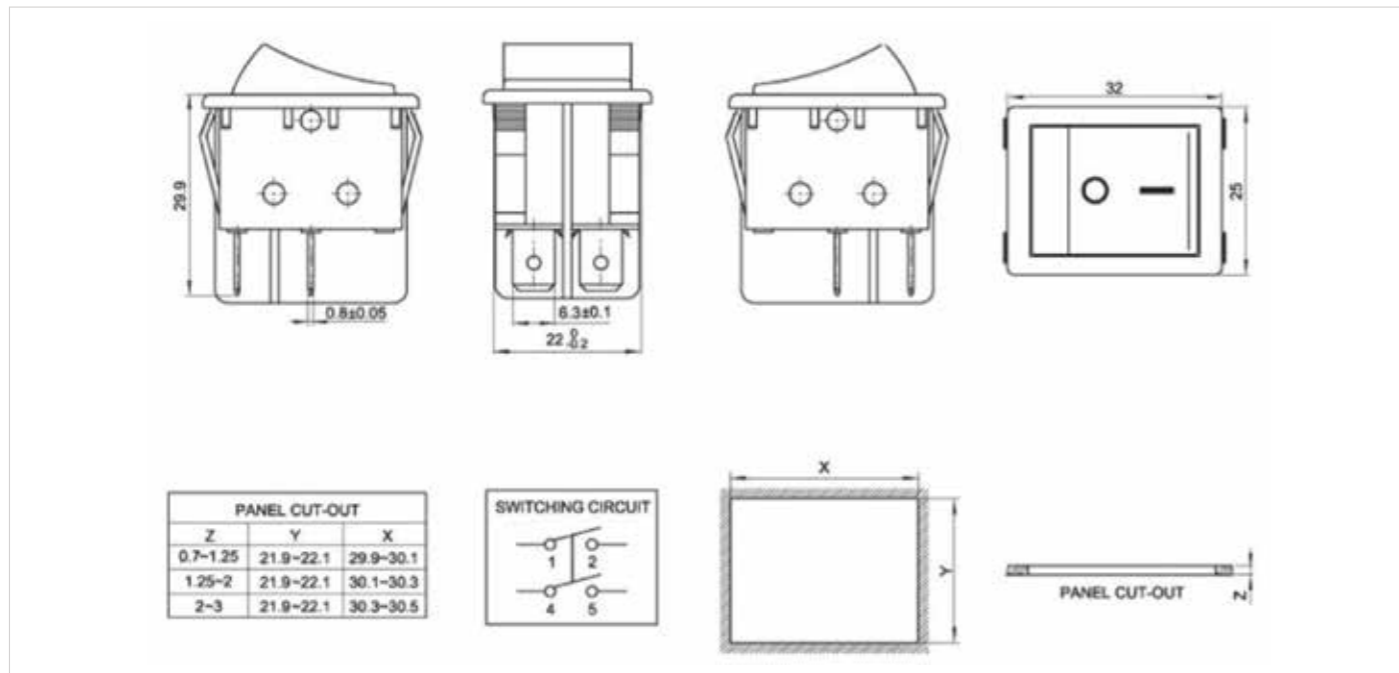


## Rocker Switch

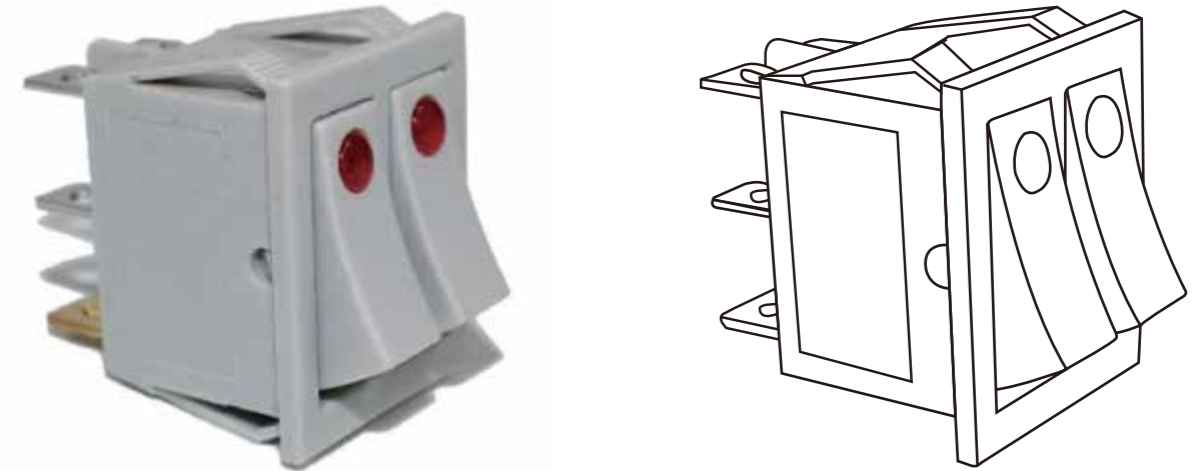


### Technical Specifications

Model:	LWKCD4-201N	Rated Voltage:	16A/250V,20A/125V,16(10)A250V AC
Contact Resistance:	≤50MΩ	Insulation Resistance:	≥100MΩ
Dielectric Strength:	1500V AC/5S (Interpolar)	Temperature Range:	T85
Life Span:	≥10000 Time		

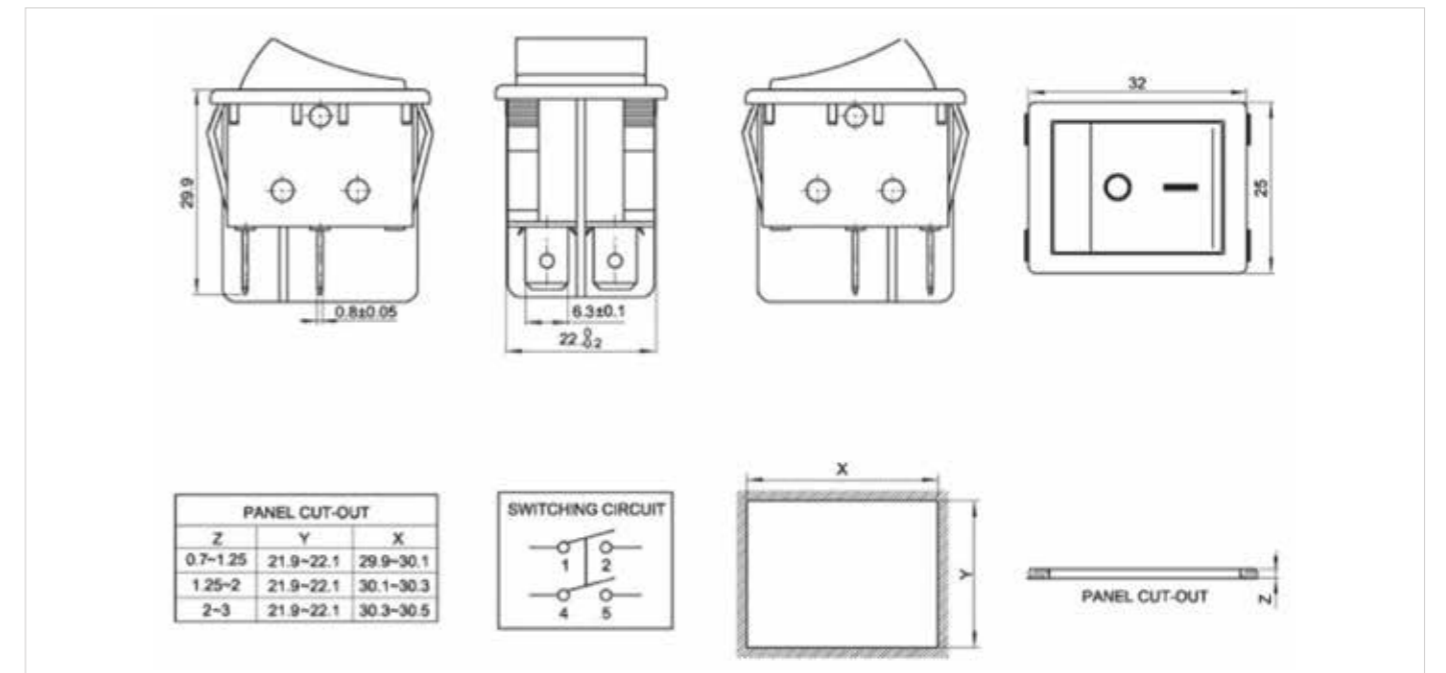


## Rocker Switch



### Technical Specifications

Model:	LWKCD4-202	Rated Voltage:	16A/250V,20A/125V,16(10)A250V AC
Contact Resistance:	≤50MΩ	Insulation Resistance:	≥100MΩ
Dielectric Strength:	1500V AC/5S (Interpolar)	Temperature Range:	T85
Life Span:	≥10000 Time		



# Tilt Switch



## Technical Specifications

Rated Voltage Current:	16(8)A 250VAC/20A 125VAC	Contact Resistance:	≤50MΩ
Insulation Resistance:	≥7MΩ	Dielectric Strength:	1500VAC/5S/0.5mA
Temperature Range:	T125	Life Span:	≥10000 Time
Turn on Positon:	50±15°	Circuit Diagram 2P (ON) -OFF	

