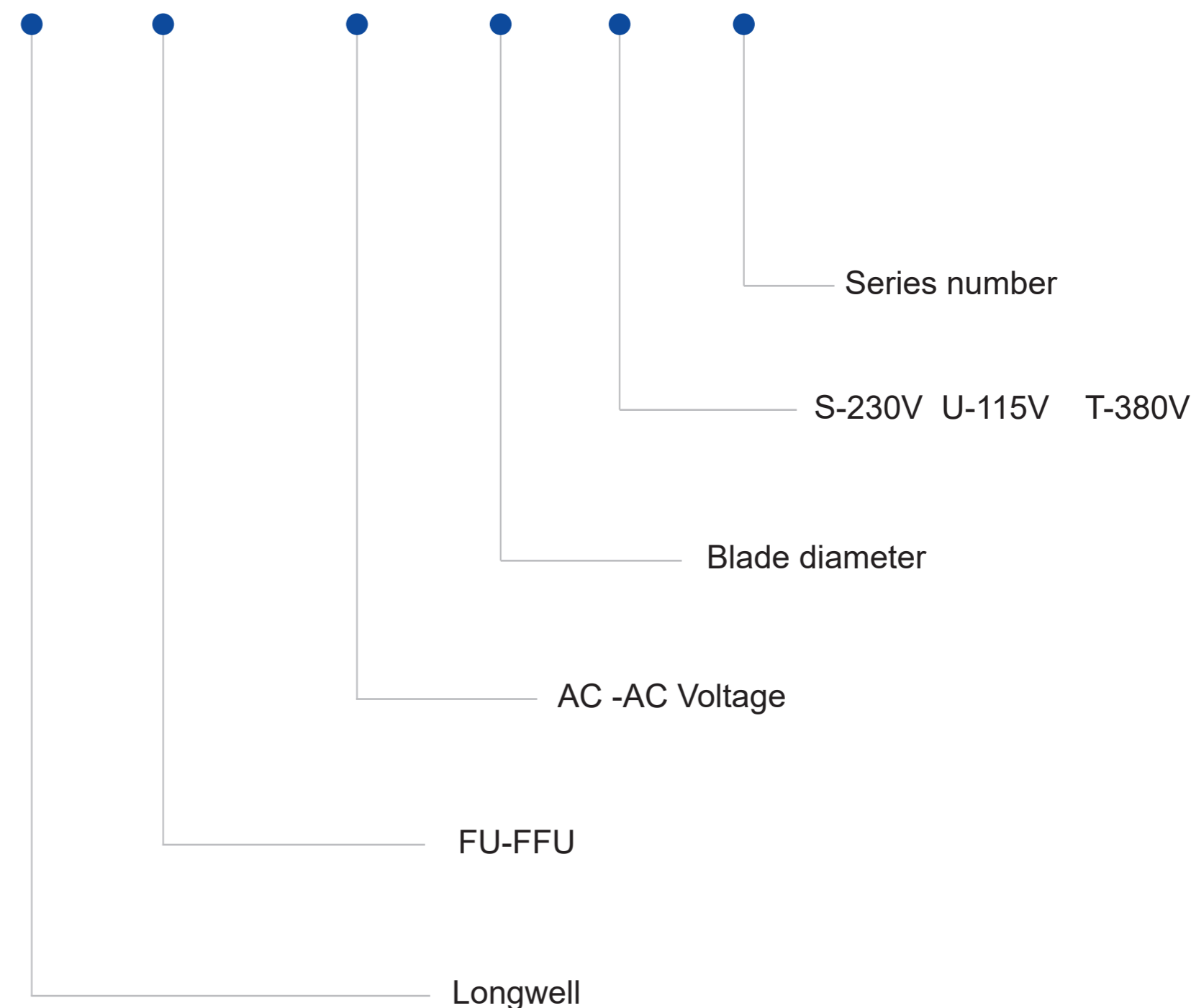


# Motor + Impeller for FFU Application



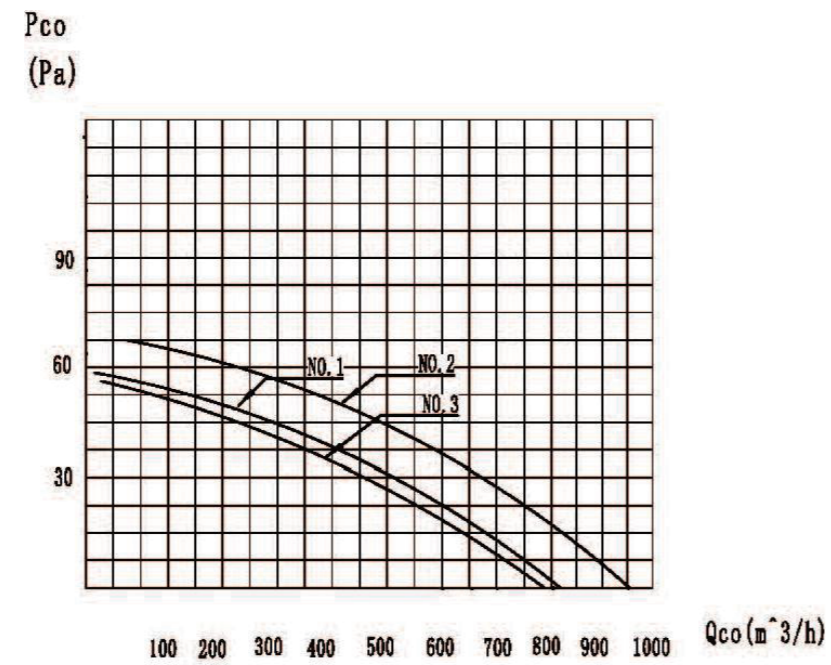
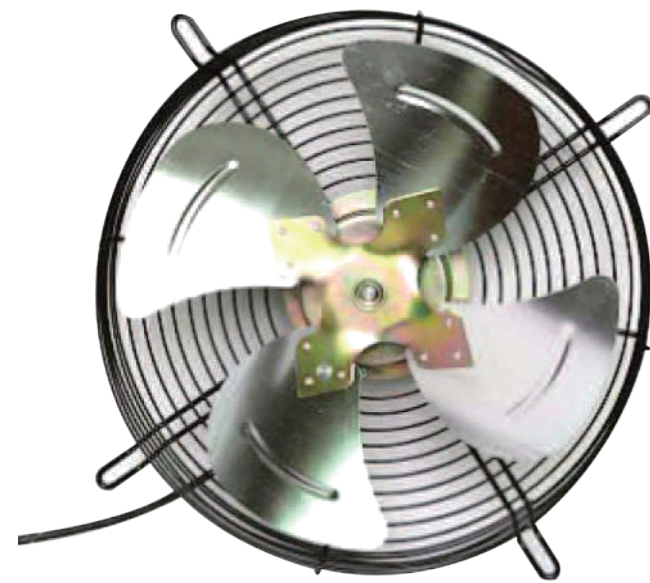
## Type Code

LW FU - AC 250 S - 01



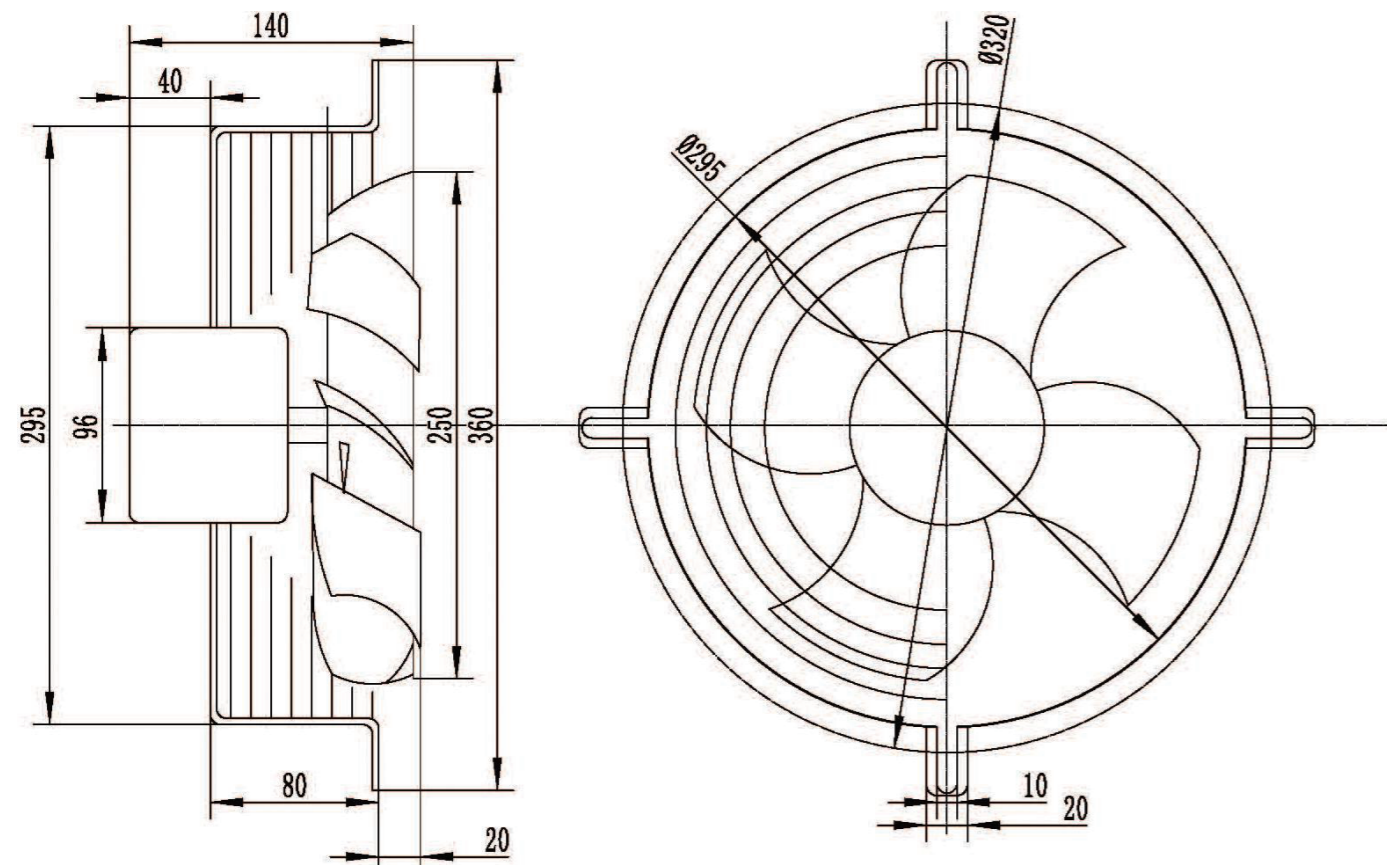
## AC Capacitor Motor + 250mm Fan Blades

Rotation direction: Viewed from the output shaft direction, it is counterclockwise



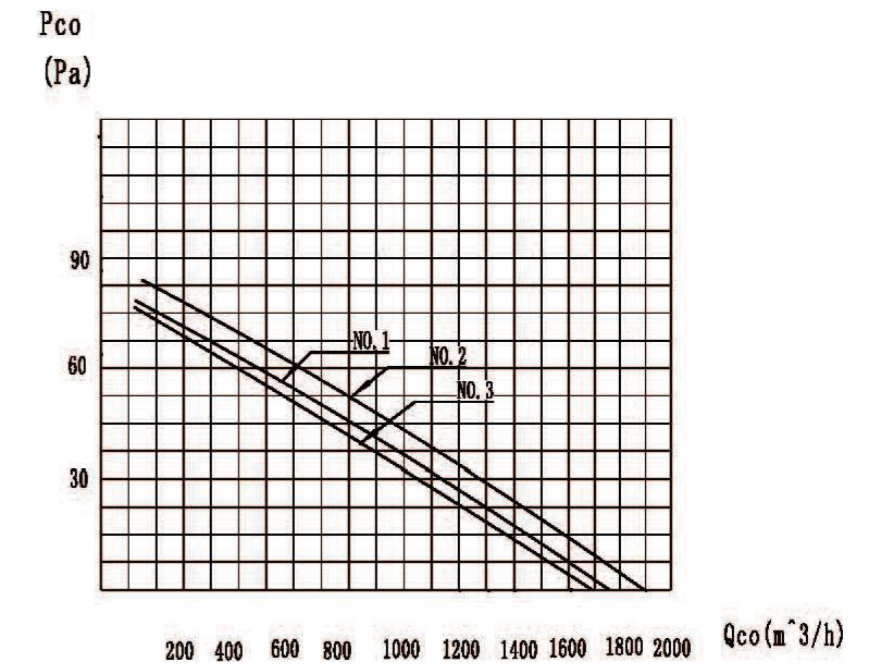
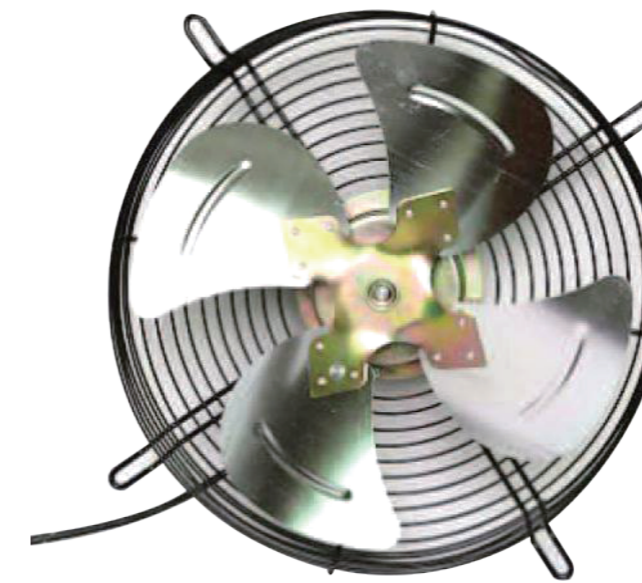
### Technical Specifications

Model	Voltage (V)	Frequency (Hz)	Capacitor (uF/V)	Current (A)	Power (W)	Speed (r/min)	Air Flow (m³/h)	Noise [dB(A)]	Curve
LWFU-AC250S-01	220	50/60	2.5/450	0.27	80	1400	860	54	①
LWFU-AC250U-02	115	50/60	5/450	0.9	120	1600	1000	56	②
LWFU-AC250T-03	380	50	/	0.2	60	1380	800	53	③



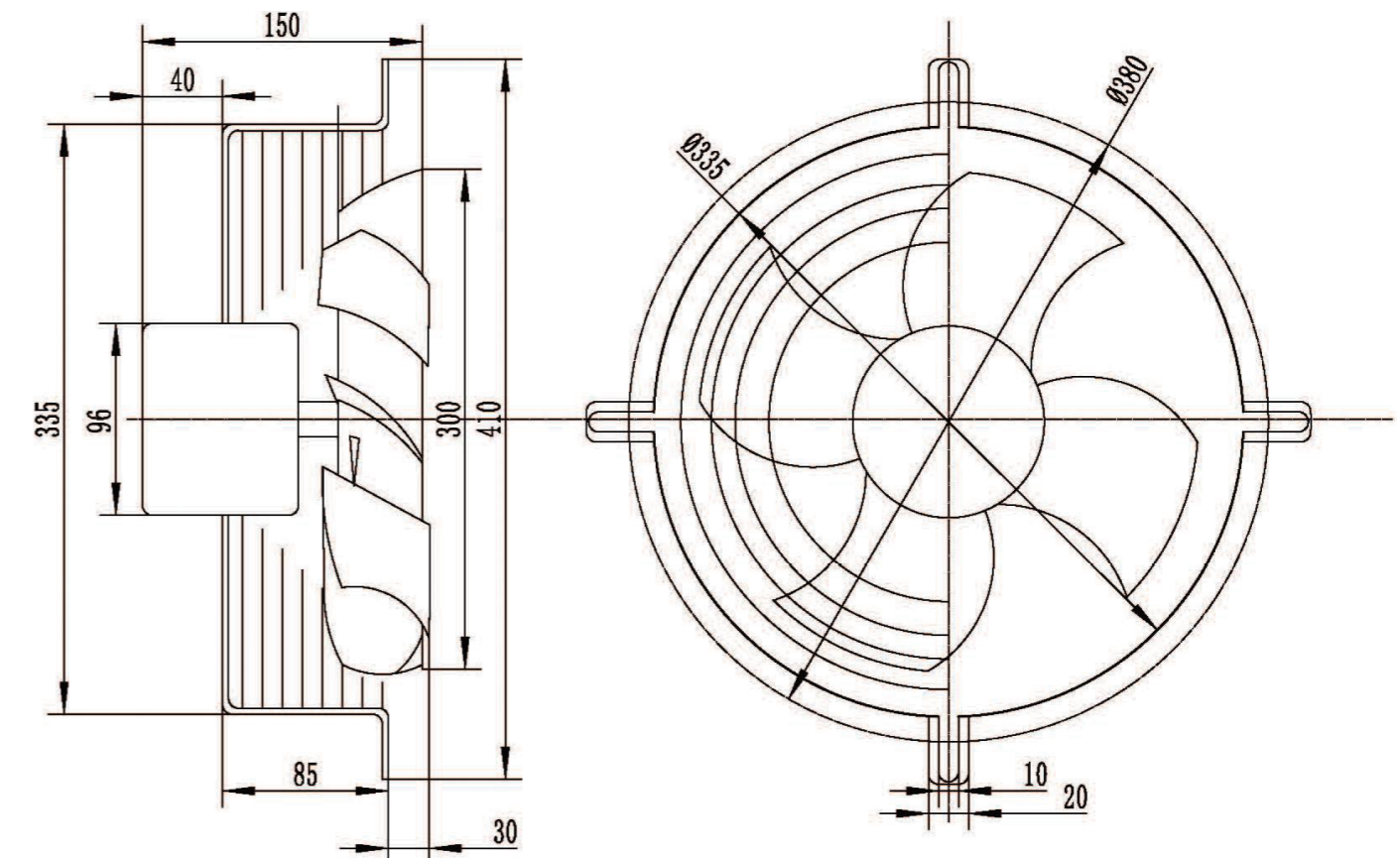
## AC Capacitor Motor + 300mm Fan Blades

Rotation direction: Viewed from the output shaft direction, it is counterclockwise



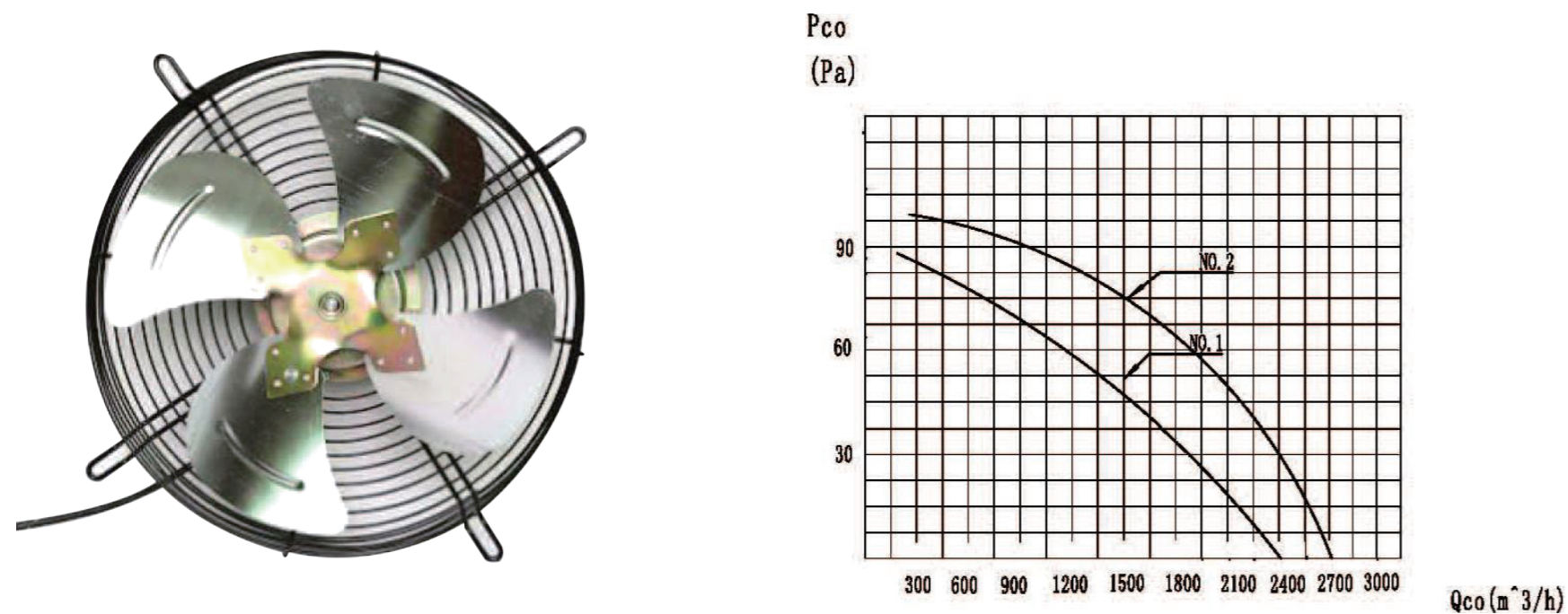
### Technical Specifications

Model	Voltage (V)	Frequency (Hz)	Capacitor (uF/V)	Current (A)	Power (W)	Speed (r/min)	Air Flow (m³/h)	Noise [dB(A)]	Curve
LWFU-AC300S-01	220	50/60	2.5/450	0.4	90	1350	1750	54	①
LWFU-AC300U-02	115	50/60	5/450	1.1	150	1600	1900	56	②
LWFU-AC300T-03	380	50	/	0.38	90	1340	1700	53	③



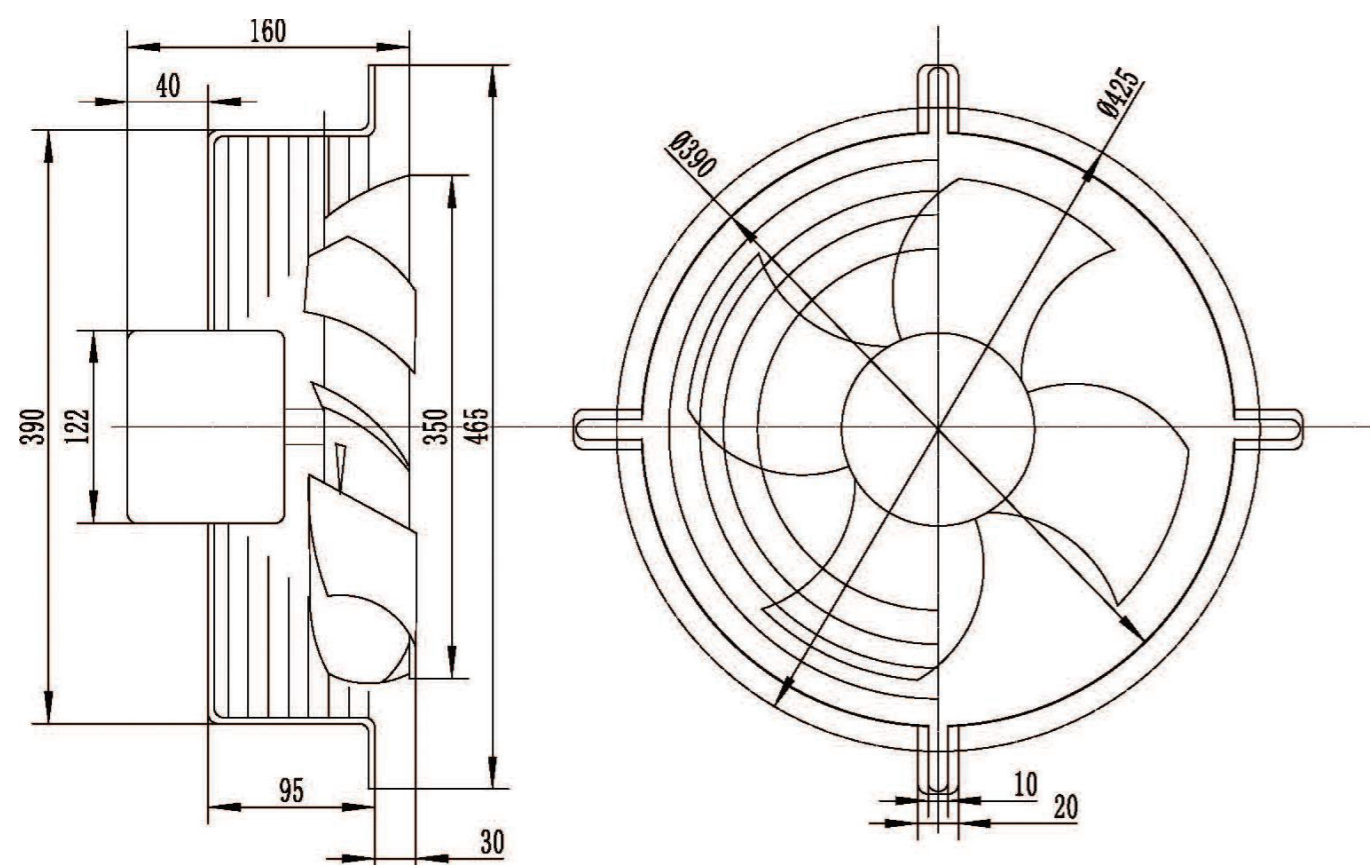
## AC Capacitor Motor + 350mm Fan Blades

Rotation direction: Viewed from the output shaft direction, it is counterclockwise



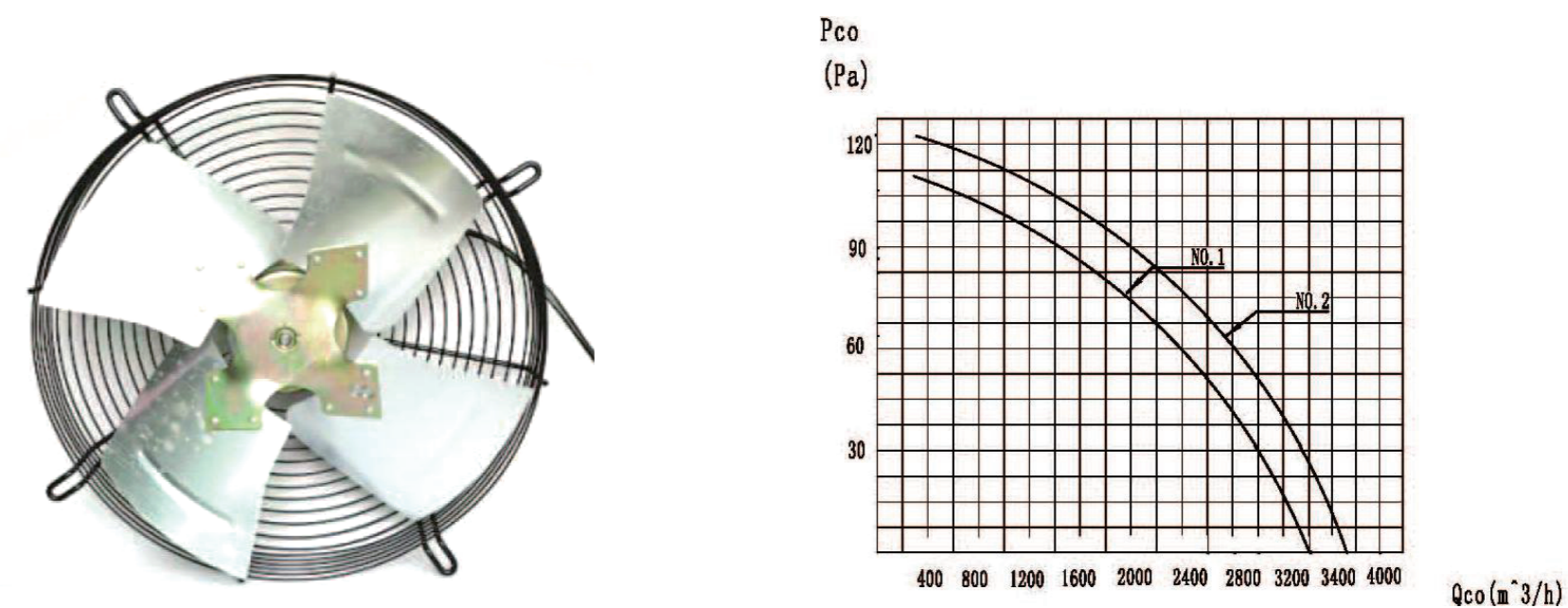
### Technical Specifications

Model	Voltage (V)	Frequency (Hz)	Capacitor (uF/V)	Current (A)	Power (W)	Speed (r/min)	Air Flow (m³/h)	Noise [dB(A)]	Curve
LWFU-AC350S-01	220	50/60	4/450	0.5	120	1250	2400	54	①
LWFU-AC350U-02	115	50/60	8/450	1.1	150	1400	2700	60	②
LWFU-AC350T-03	380	50	/	0.38	90	1250	2400	57	①



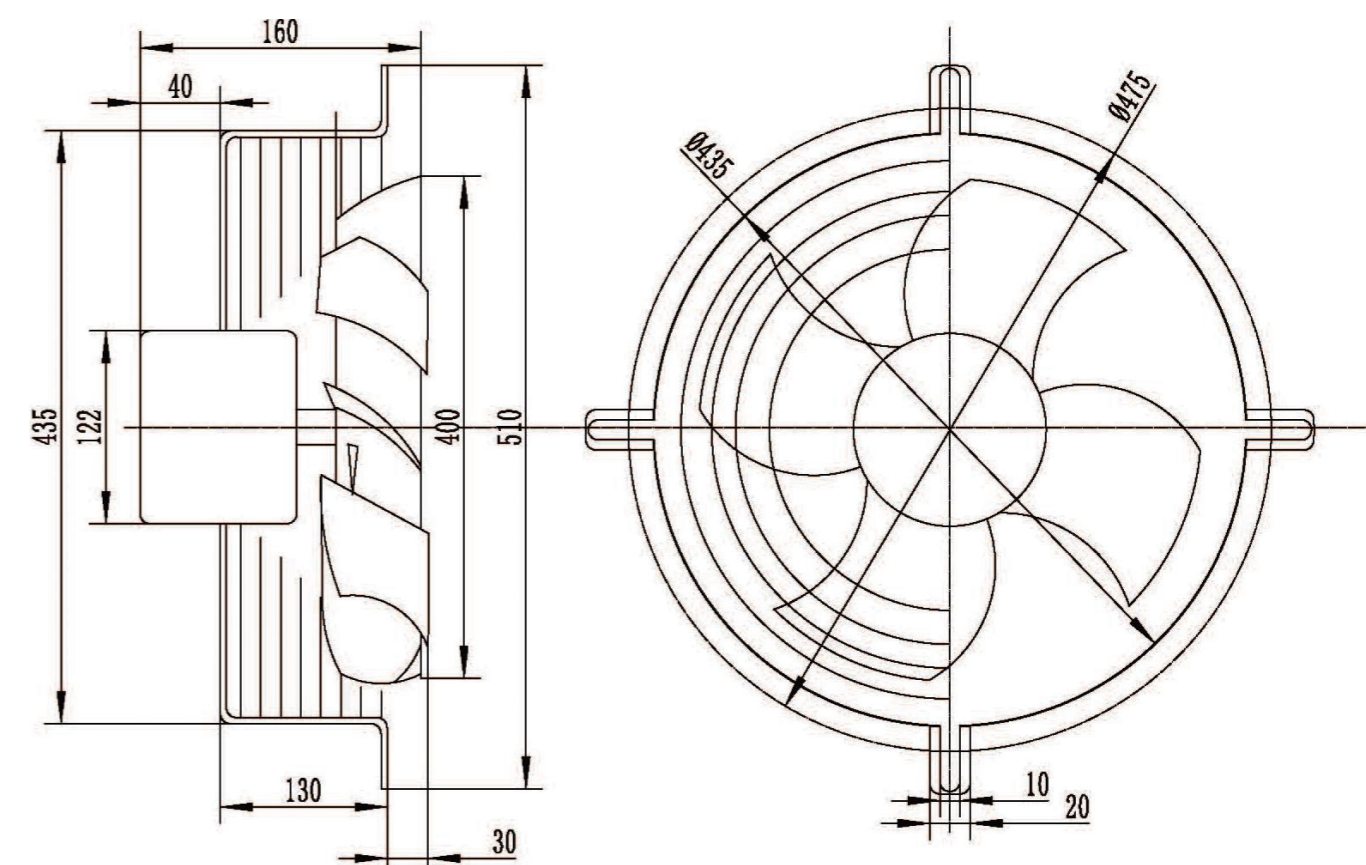
## AC Capacitor Motor + 400mm Fan Blades

Rotation direction: Viewed from the output shaft direction, it is counterclockwise



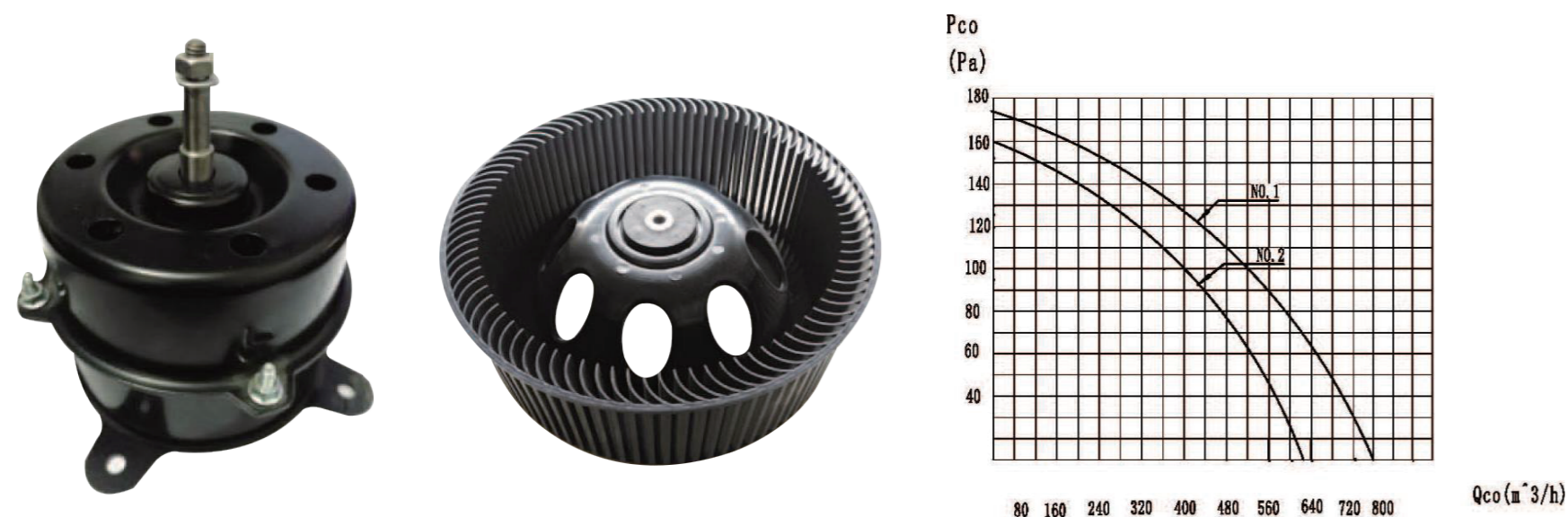
### Technical Specifications

Model	Voltage (V)	Frequency (Hz)	Capacitor (uF/V)	Current (A)	Power (W)	Speed (r/min)	Air Flow (m³/h)	Noise [dB(A)]	Curve
LWFU-AC400S-01	220	50/60	4/450	0.6	140	1300	3200	57	①
LWFU-AC400U-02	115	50/60	10/450	1.3	150	1450	3500	60	②
LWFU-AC400T-03	380	50	/	0.45	140	1300	3200	57	①



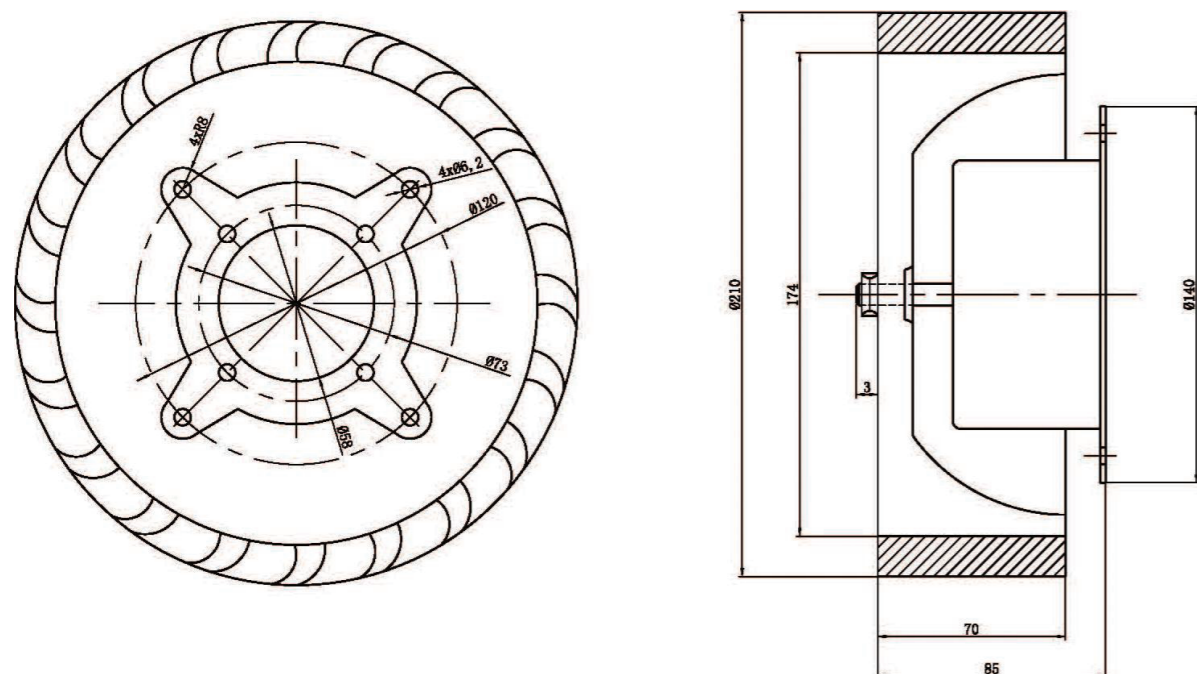
## AC Capacitor Motor + 210mm Forward Centrifugal Fan Impeller

Rotation direction: Counterclockwise when facing the output shaft direction



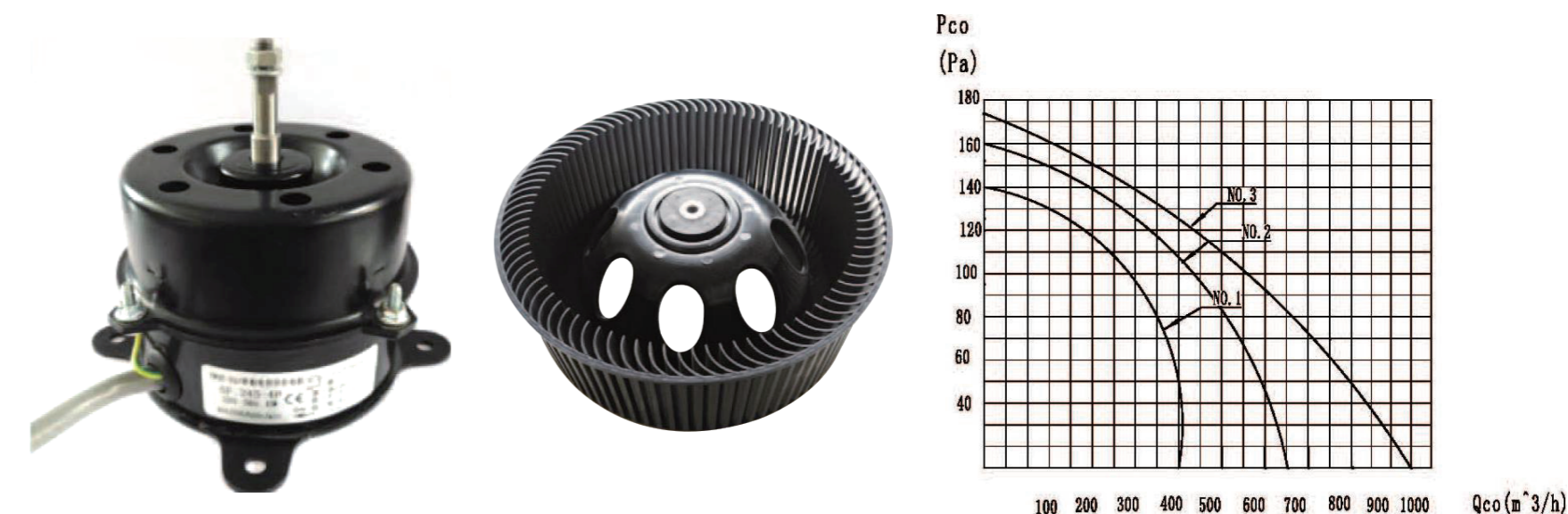
### Technical Specifications

Model	Gear Position	Voltage (V)	Frequency (Hz)	Capacitor (uF/V)	Current (A)	Power (W)	Speed (r/min)	Air Flow (m³/h)	Noise [dB(A)]	Curve
LWFU-AC210S-01	H	220	50	1/450	0.175	25/37	1250	600	42	②
LWFU-AC210S-02	M	220	50	1/450	0.171	23/36	1180	500	40	/
LWFU-AC210S-03	L	220	50	1/450	0.16	21/35	1100	400	38	/
LWFU-AC210S-04	H	220	50	2/450	0.2	30/45	1350	800	44	①
LWFU-AC210S-05	M	220	50	2/450	0.195	27/42	1300	700	43	/
LWFU-AC210S-06	L	220	50	2/450	0.185	25/38	1250	600	42	/



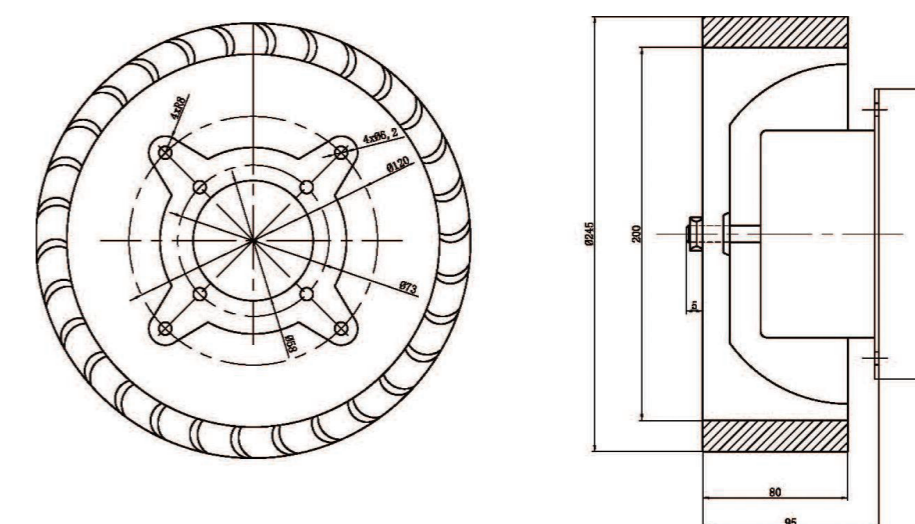
## AC Capacitor Motor + 245mm Forward Centrifugal Fan Impeller

Rotation direction: Counterclockwise when facing the output shaft direction



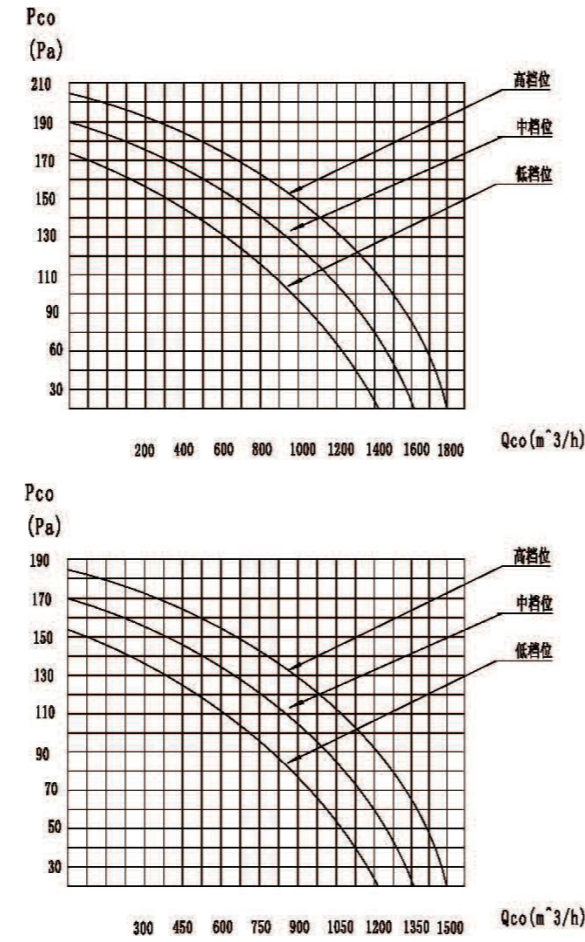
### Technical Specifications

Model	Gear Position	Voltage (V)	Frequency (Hz)	Capacitor (uF/V)	Current (A)	Power (W)	Speed (r/min)	Air Flow (m³/h)	Noise [dB(A)]	Curve
LWFU-AC245S-01	H	220	50	1.3/450	0.27	35/60	620	450	42	①
LWFU-AC245S-02	M	220	50	1.3/450	0.24	28/52	500	380	40	/
LWFU-AC245S-03	L	220	50	1.3/450	0.2	25/45	360	300	38	/
LWFU-AC245S-04	H	220	50	2/450	0.3	30/65	800	650	45	②
LWFU-AC245S-05	M	220	50	2/450	0.26	25/56	620	450	42	/
LWFU-AC245S-06	L	220	50	2/450	0.22	23/46	450	350	39	/
LWFU-AC245S-07	H	220	50	2/450	0.49	60/105	1150	1000	50	③
LWFU-AC245S-08	M	220	50	2/450	0.45	55/100	850	700	45	/
LWFU-AC245S-09	L	220	50	2/450	0.38	48/85	600	420	40	/



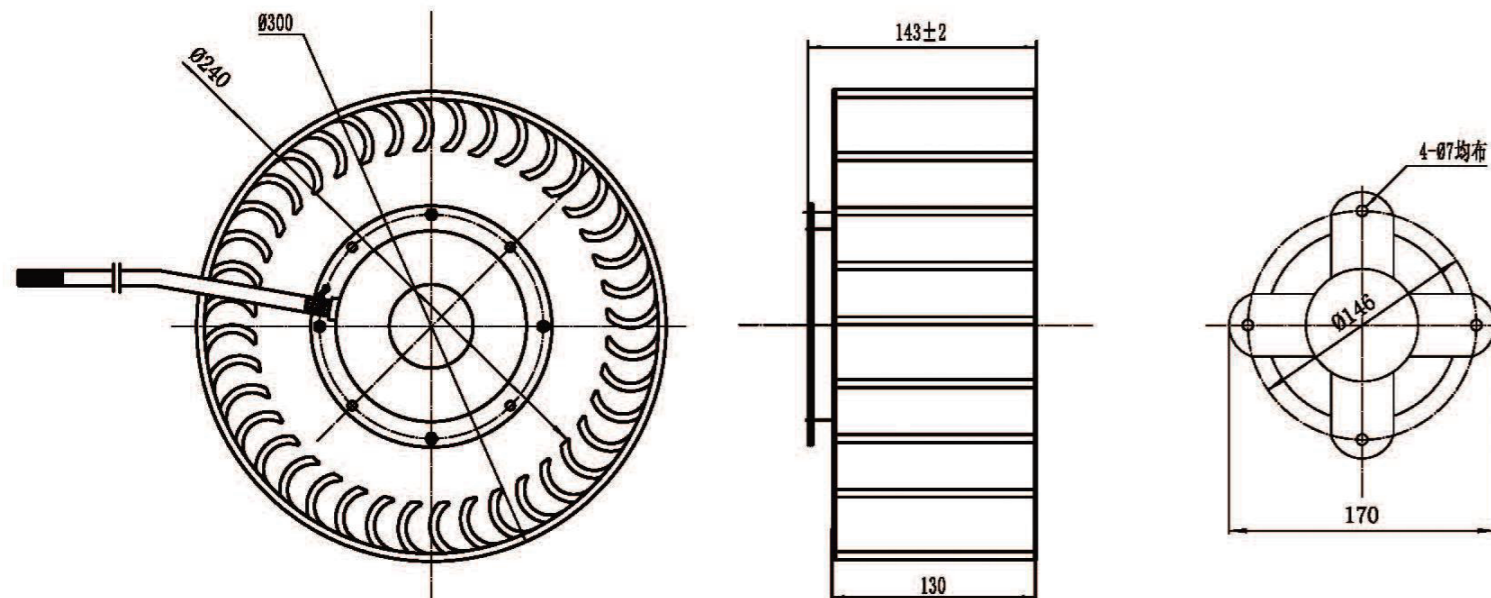
# AC Capacitor Motor + 300mm Centrifugal Fan Impeller

Rotation direction: Counterclockwise when facing the output shaft direction



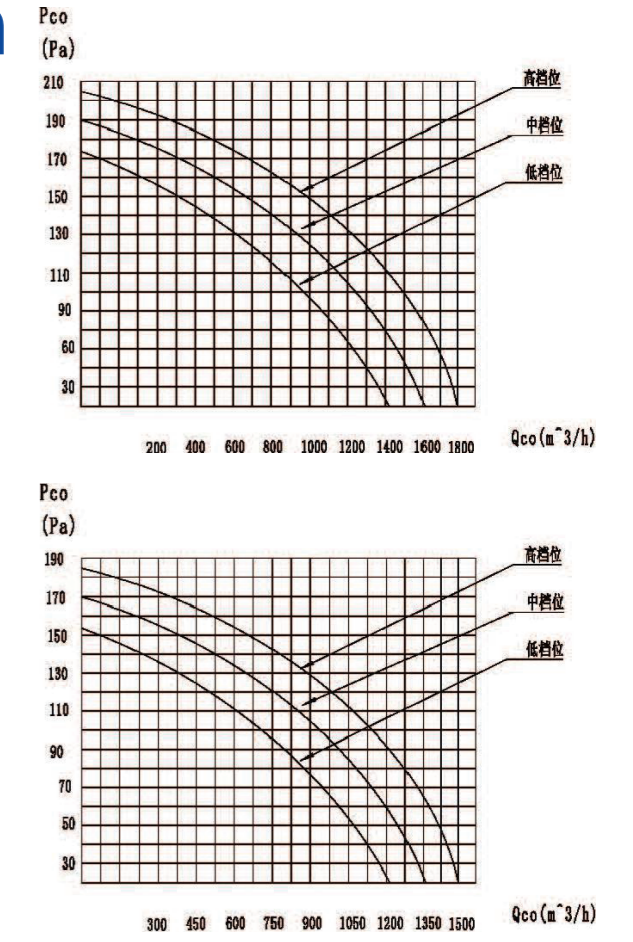
## Technical Specifications

Model	Gear Position	Voltage (V)	Frequency (Hz)	Capacitor (uF/M)	Current (A)	Power (W)	Speed (r/min)	Air Flow (m³/h)	Noise [dB(A)]
LWFU-AC300S-04	H	220	50	6/450	0.98	100/210	880	1800	58
LWFU-AC300S-05	M	220	50	6/450	0.86	90/190	800	1600	55
LWFU-AC300S-06	L	220	50	6/450	0.73	85/160	730	1500	48
LWFU-AC300S-07	H	220	50	4/450	0.5	80/110	650	1500	45
LWFU-AC300S-08	M	220	50	4/450	0.4	60/88	550	1200	42
LWFU-AC300S-09	L	220	50	4/450	0.32	50/72	430	1000	38



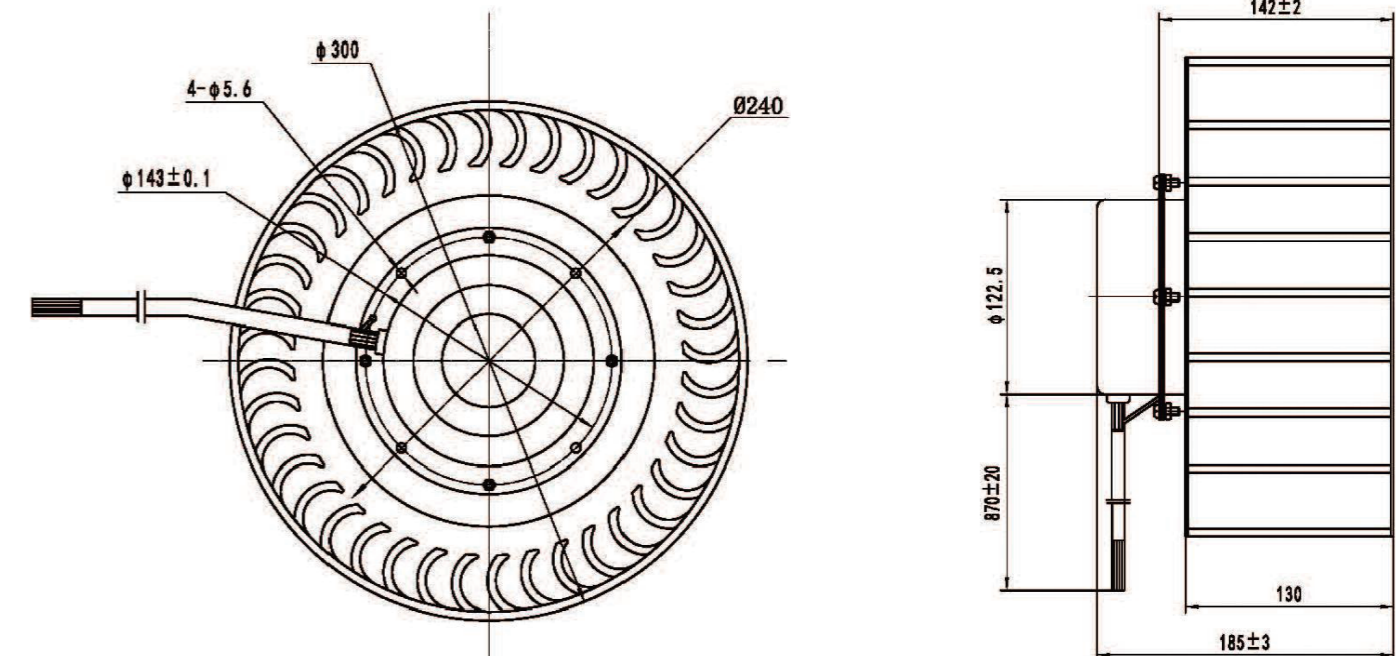
# AC Capacitor Motor + 300mm Centrifugal Fan Impeller

Rotation direction: Counterclockwise when facing the output shaft direction



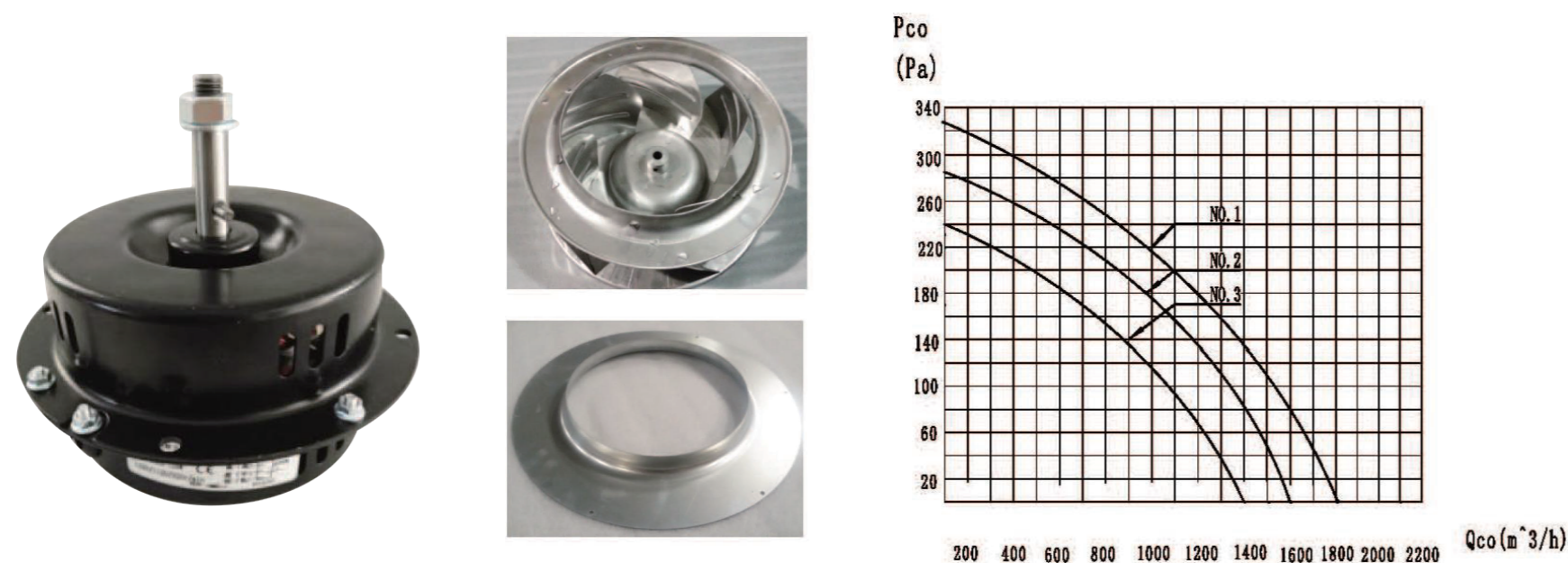
## Technical Specifications

Model	Gear Position	Voltage (V)	Frequency (Hz)	Capacitor (uF/M)	Current (A)	Power (W)	Speed (r/min)	Air Flow (m³/h)	Noise [dB(A)]
LWFU-AC300S-10	H	220	50	6/450	0.98	100/210	880	1800	58
LWFU-AC300S-11	M	220	50	6/450	0.86	90/190	800	1600	55
LWFU-AC300S-12	L	220	50	6/450	0.73	85/160	730	1500	48
LWFU-AC300S-13	H	220	50	4/450	0.5	80/110	650	1500	45
LWFU-AC300S-14	M	220	50	4/450	0.4	60/88	550	1200	42
LWFU-AC300S-15	L	220	50	4/450	0.32	50/72	430	1000	38



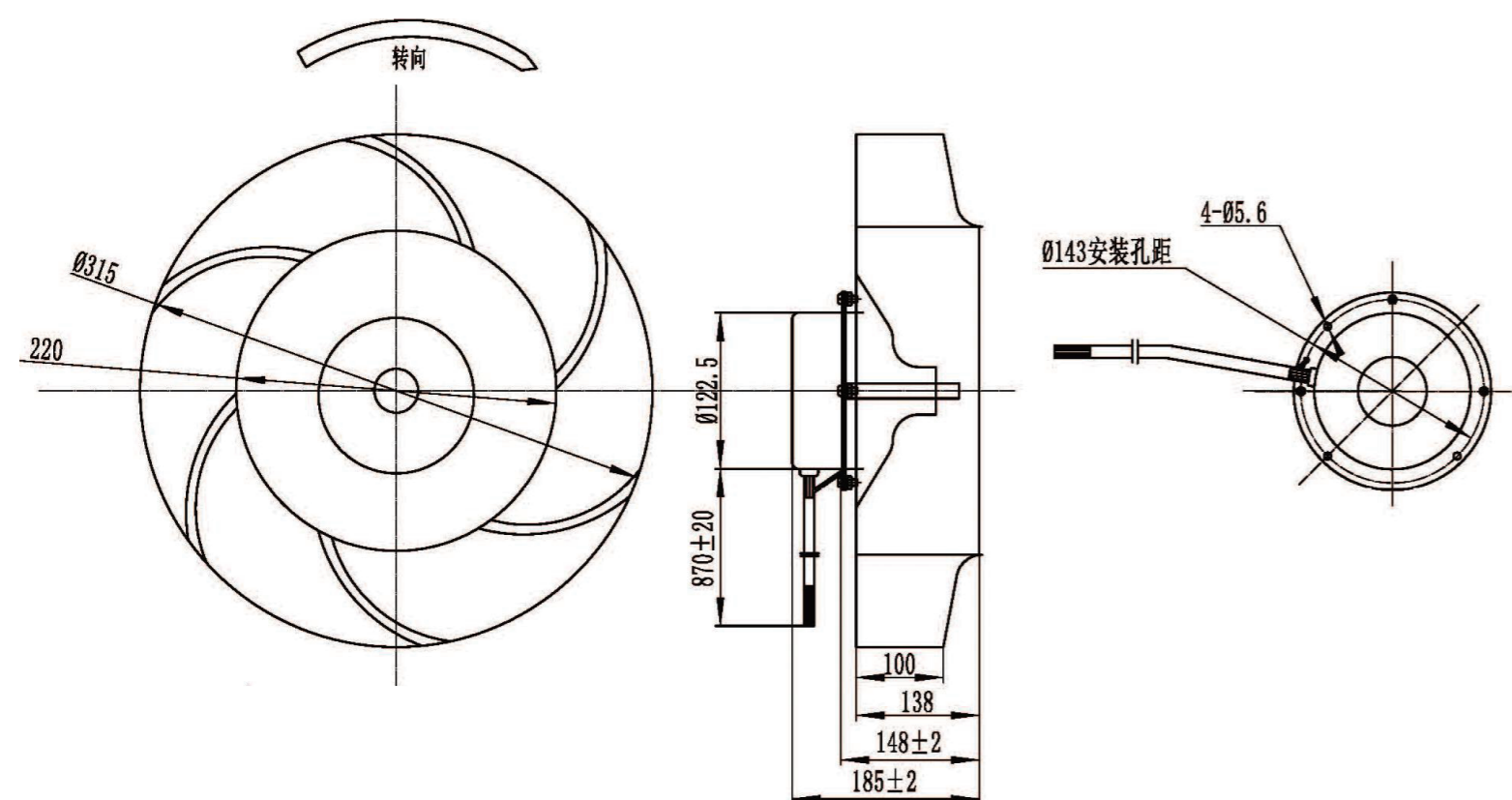
## AC Capacitor Motor + 315mm Backward Centrifugal Fan Impeller

Rotation direction: Counterclockwise when facing the output shaft direction



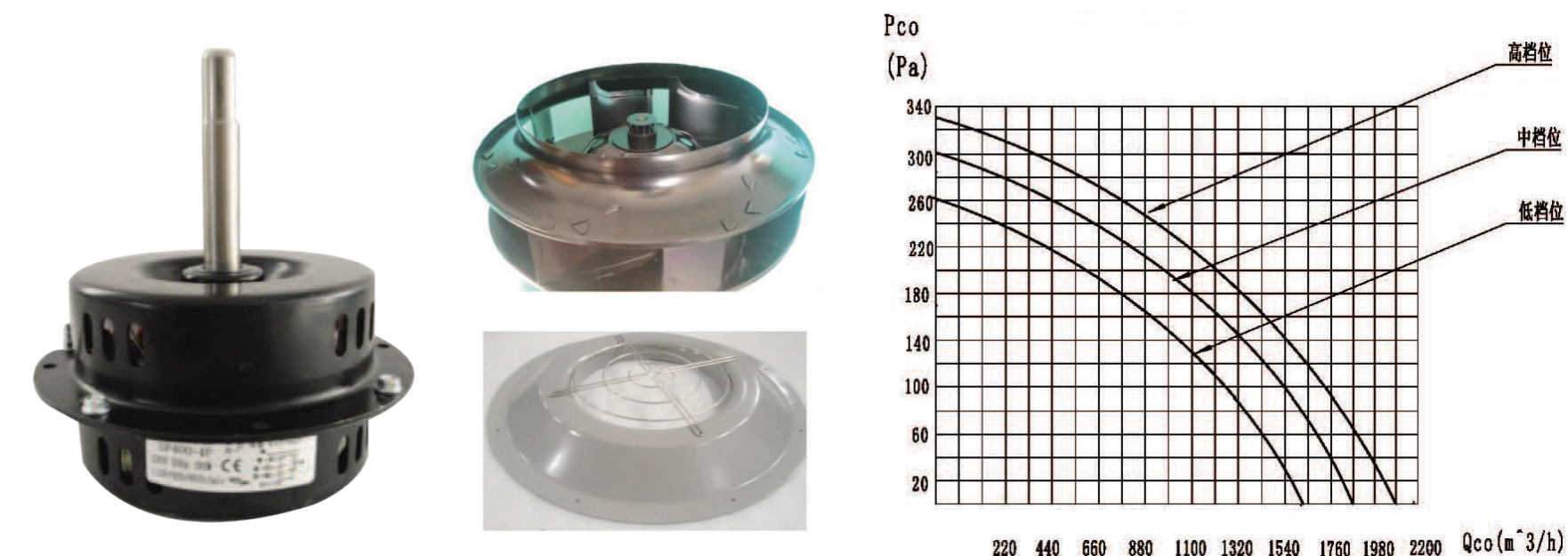
### Technical Specifications

Model	Gear Position	Voltage (V)	Frequency (Hz)	Capacitor (uF/V)	Current (A)	Power (W)	Speed (r/min)	Air Flow (m³/h)	Noise [dB(A)]	Curve
LWFU-AC315S-01	H	220	50	4/450	0.67	80/150	1300	1800	58	①
LWFU-AC315S-02	M	220	50	4/450	0.6	70/130	1050	1600	55	②
LWFU-AC315S-03	L	220	50	4/450	0.54	65/115	850	1400	52	③



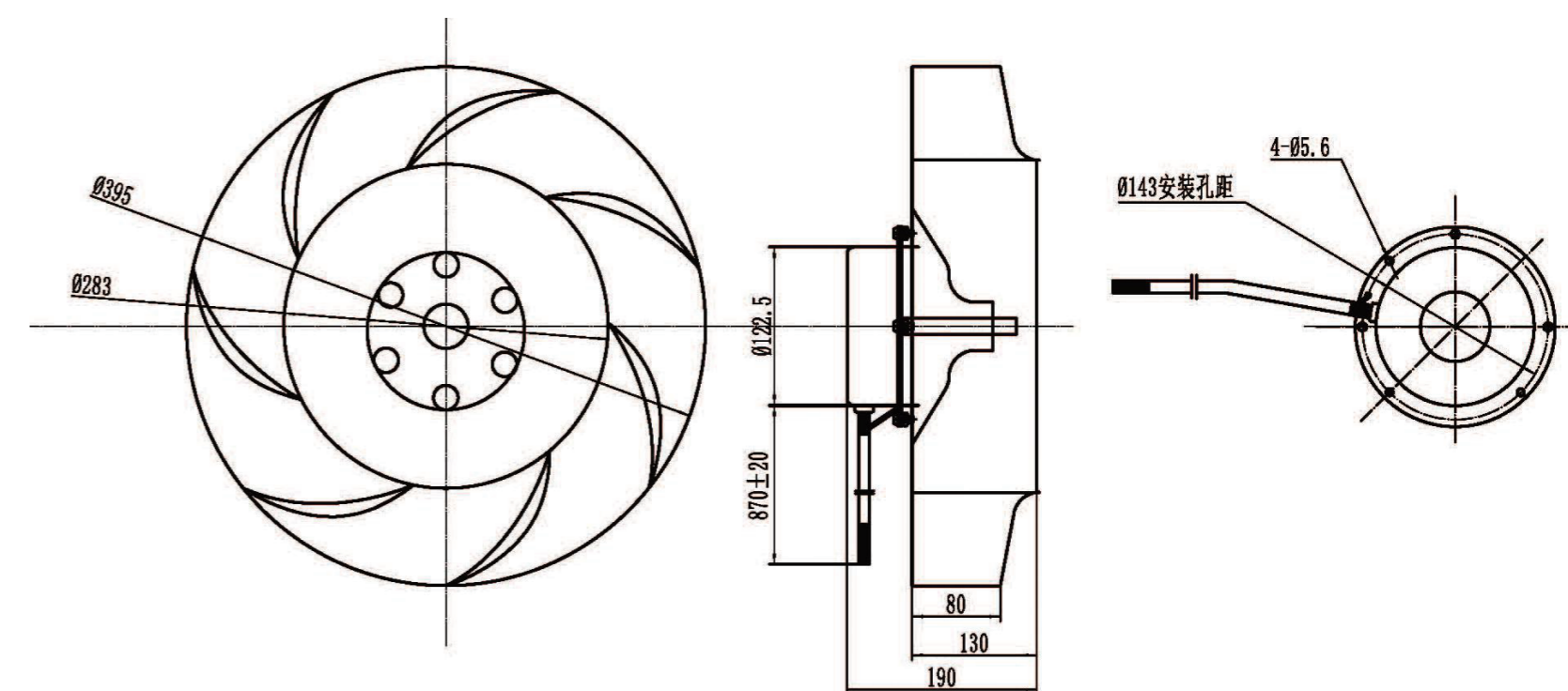
## AC Capacitor Motor + 400mm Backward Centrifugal Fan Impeller

Rotation direction: Counterclockwise when facing the output shaft direction



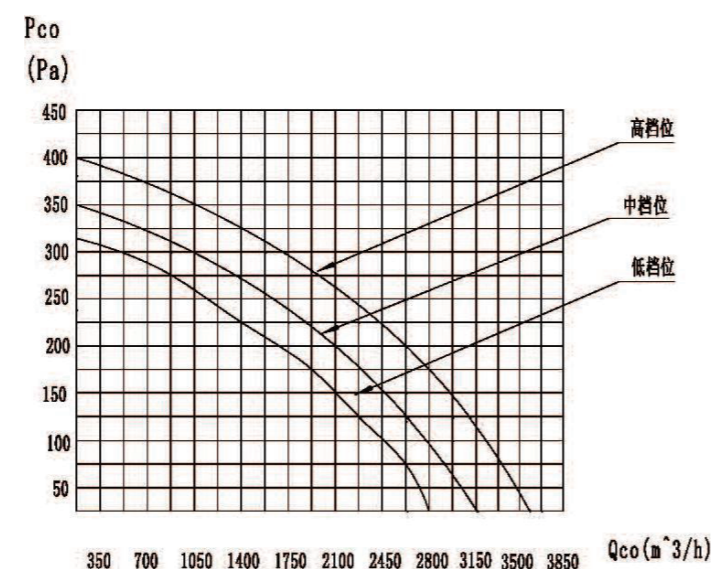
### Technical Specifications

Model	Gear Position	Voltage (V)	Frequency (Hz)	Capacitor (uF/V)	Current (A)	Power (W)	Speed (r/min)	Air Flow (m³/h)	Noise [dB(A)]
LWFU-AC400S-04	H	220	50	5/450	0.85	100/190	1200	2100	63
LWFU-AC400S-05	M	220	50	5/450	0.74	90/160	1100	2000	60
LWFU-AC400S-06	L	220	50	5/450	0.65	85/140	950	1800	59



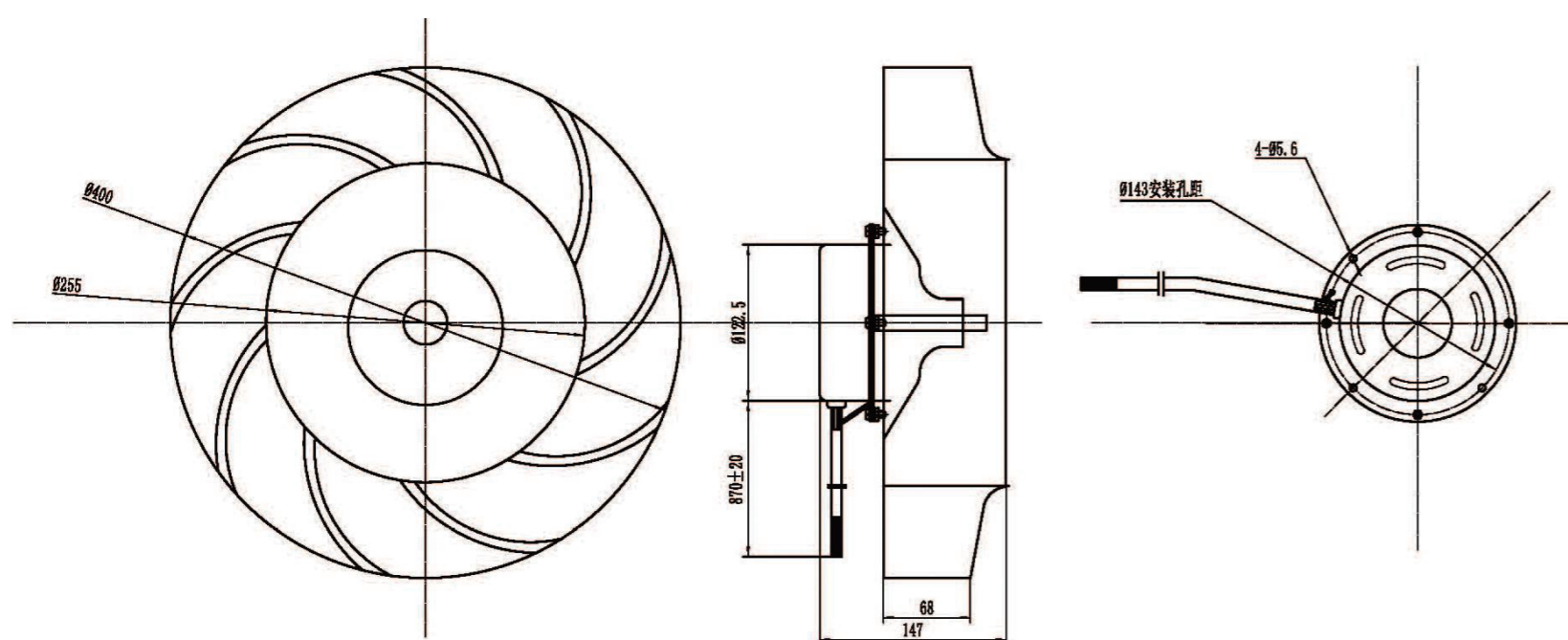
## AC Capacitor Motor + 400mm Backward Centrifugal Fan Impeller

Rotation direction: Counterclockwise when facing the output shaft direction



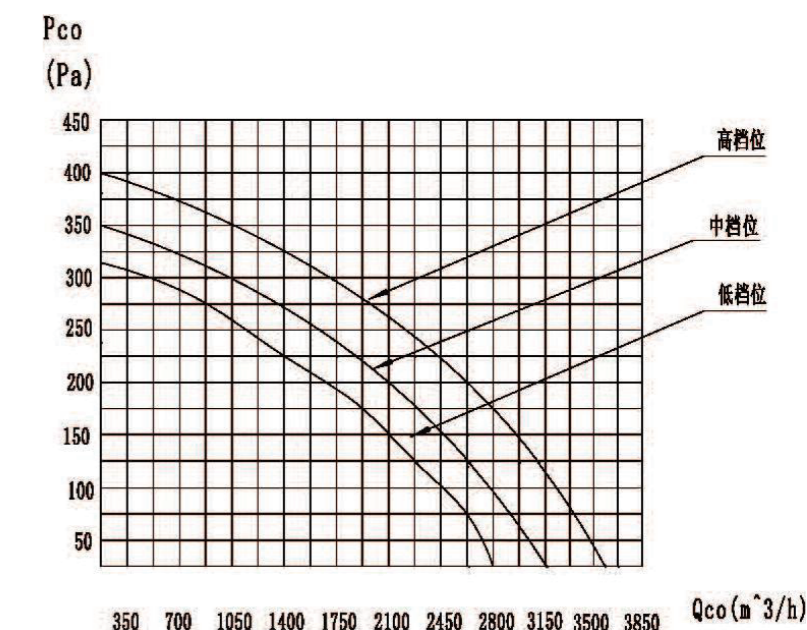
### Technical Specifications

Model	Gear Position	Voltage (V)	Frequency (Hz)	Capacitor (uF/V)	Current (A)	Power (W)	Speed (r/min)	Air Flow (m³/h)	Noise [dB(A)]
LWFU-AC400S-07	H	220	50	5/450	0.8	90/180	1150	1950	65
LWFU-AC400S-08	M	220	50	5/450	0.72	85/160	1000	1750	62
LWFU-AC400S-09	L	220	50	5/450	0.66	70/145	800	1500	60



## AC Capacitor Motor + 500mm Backward Centrifugal Fan Impeller

Rotation direction: Counterclockwise when facing the output shaft direction



### Technical Specifications

Model	Gear Position	Voltage (V)	Frequency (Hz)	Capacitor (uF/V)	Current (A)	Power (W)	Speed (r/min)	Air Flow (m³/h)	Noise [dB(A)]
LWFU-AC500S-01	H	220	50	6/450	1	90/180	900	3600	62
LWFU-AC500S-02	M	220	50	6/450	0.9	85/160	750	3200	60
LWFU-AC500S-03	L	220	50	6/450	0.85	70/145	500	2800	58

