

Low Noise Multi-wing Centrifugal Fan

Product Brief

- High efficiency, low speed, low noise, high air volume, long service life
- With advanced aerodynamic impeller structure and logarithmic spiral shell, it has the characteristics of novel and compact structure, small vibration and easy to use and adjust
- Y2.YY series of high-efficiency and energy-saving motors are used in the motor. They are high efficiency, low energy consumption, beautiful and generous in appearance
- Widely used in air conditioning units, large and small hotels, restaurants ventilation or smoke, can also be used as indoor and outdoor ventilation of general building
- Transport medium is air or other non-spontaneous combustion, harmless gas to human body, medium does not contain viscous substances
- Gas temperature is less than 80 C, dust and solid impurities are less than 150mg/m³



Technical Parameters

Model	Power	Voltage (v)	Frequency (Hz)	Speed (RPM)	Air flow (m ³ /h)	Air Pressure (Pa)	Noise (dBA)
LW11-62-2.5A	0.75KW-4P	380/220	50	1450	1700-3300	450-350	≤65
LW11-62-2.8A	1.1KW-4P	380/220	50	1450	2600-4600	570-440	≤66
LW11-62-3A	1.5KW-4P	380/220	50	1450	3100-5500	600-450	≤67
LW11-62-3.2A	2.2KW-4P	380/220	50	1450	4600-6700	760-570	≤71
	1.1KW-6P	380	50	960	2600-5000	400-320	≤63
LW11-62-3.5A	3KW-4P	380/220	50	1450	5300-8700	910-700	≤76
	1.5KW-6P	380	50	960	2900-6400	480-390	≤68
LW11-62-4A	5.5KW-4P	380	50	1450	6400-12000	1350-1030	≤78
	2.2KW-6P	380	50	960	4600-9800	555-440	≤70
LW11-62-4.5A	7.5KW-4P	380	50	1450	7500-14300	1520-1120	≤80
	3KW-6P	380	50	960	7400-11800	780-670	≤72
LW11-62-5A	5.5KW-6P	380	50	960	11000-17100	920-710	≤75

Low Noise Multi-Wing Centrifugal Fan

Product Brief

- Low noise, high efficiency, large air volume, high pressure, low vibration, long life, removable foot, flexible installation
- Fan impeller automatic punch blanking, mechanical insertion, after dynamic balance strict correction, reduce vibration, stable operation, durable
- Y2 aluminium alloy die-casting material is used in the motor, which greatly reduces weight, achieves lightweight, convenient installation and beautiful appearance
- Widely used in telecommunications, power, electricity, electronics, geology, coal mines, ships, papermaking and other related industries
- Particularly suitable for printing, plastics, packaging, film blowing, drying, cooling and other machinery and general ventilation



Technical Parameters

Model	Power	Voltage (v)	Frequency (Hz)	Speed (RPM)	Air flow (m ³ /h)	Air Pressure (Pa)	Noise (dBA)
LWCF-11-1.5A	0.55KW-2P	380/220	50	2830	830-1080	912-720	≤72
LWCF-11-2A	1.1KW-2P	380/220	50	2830	1440-2250	1037-790	≤74
	0.25KW-4P	380/220	50	1450	790-1120	380-260	≤67
LWCF-11-2.5A	S-0.75KW-4P	380/220	50	1450	1900-2800	490-390	≤68
LW*CF-11-2.5A1	S-0.75KW-4P	380/220	50	1450	1700-2600	530-420	≤69
LWCF-11-2.8A	0.75KW-4P	380/220	50	1450	2500-3800	550-420	≤68
LW*CF-11-2.8A1	0.75KW-4P	380/220	50	1450	2100-3500	650-470	≤69
LWCF-11-3A	S-1.5KW-4P	380/220	50	1450	2890-4300	760-640	≤70
LWCF-11-3A2	S-1.5KW-4P	380/220	50	1450	3100-5000	730-580	≤73
LW*CF-11-3A1	S-1.5KW-4P	380/220	50	1450	2600-3900	820-670	≤74
LWCF-11-3.2A	S-2.2KW-4P	380/220	50	1450	4400-6200	890-650	≤73
LWCF-11-3.5A	S-3KW-4P	380/220	50	1450	5100-6700	1200-950	≤75
LWCF-11-4A	4KW-4P	380	50	1450	6312-10588	1402-1140	≤78
	2.2KW-6P	380	50	960	4598-7560	592-520	≤68
LWCF-11-4.5A	5.5KW-4P	380	50	1450	7100-12300	1590-1200	≤80
	3KW-6P	380	50	960	7400-10300	780-700	≤72
LWCF-11-5A	5.5KW-6P	380	50	960	10300-15000	870-680	≤76

Multi-wing Low Noise Centrifugal Blower

Product Brief

- Low noise,high efficiency,large air volume,high pressure,low vibration, long life,removable foot,flexible installation.
- Fan impeller automatic punch blanking,mechanical insertion,after dynamic balancestrict correction,reduce vibration,stable operation,durable.
- Y2 aluminium alloy die-casting material is used in the motor,which greatly reduces weight,achieves lightweight,convenient installation and beautiful appearance.
- Widely used in telecommunications,power,electricity,electronics,geology-coalmines,ships,papermaking and other related industries.
- Particularly suitable for printing,plastics,packaging,film blowing,drying, cooling and other machinery and general ventilation.



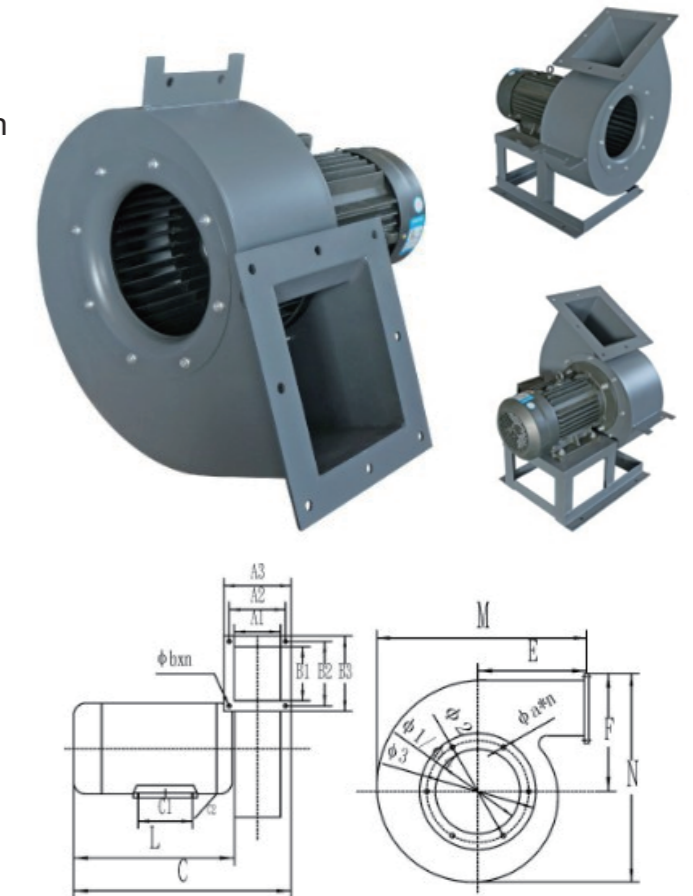
Technical Parameters

Model	Power	Voltage (v)	Frequency (Hz)	Air Pressure (Pa)	Air flow (m³/h)	Speed (RPM)	Noise (dBA)
LWDF-1.3-I	120W	220/380	50	412	305	2800	72
LWDF-1.3-II	180W	220/380	50	450	405	2800	75
LWDF-1.6-I	250W	220/380	50	860	504	2800	75
LWDF-1.6-II	370W	220/380	50	850	660	2800	76
LWDF-2-I	550W	220/380	50	1020	860	2800	76
LWDF-2-II	750W	220/380	50	1210	1200	2800	80
LWDF-2-III	1.1KW	220/380	50	1380-1240	1900-2700	2800	82
LWDF-2.3	1.5KW	220/380	50	1360-1220	2600-3500	2800	83
LWDF-2.5-I	2.2KW	220/380	50	1470-1300	3300-4000	2800	84
LWDF-2.5-II	3KW	380	50	2050-1860	3900-4600	2800	87
LWDF-2.8-I	4KW	380	50	2120-1830	4500-5400	2800	90
LWDF-2.8-II	5.5KW	380	50	2360-2010	5000-6000	2800	95
LWDF-8	1.1KW	220/380	50	1050-1200	2100-2700	2800	82
LWDF-8B	1.5KW	220/380	50	1240-1400	2800-3800	2800	83
LWDF-9	2.2KW	220/380	50	1450-1650	3000-4200	2800	84

High Efficiency Low Noise Multi-Wing Fan

Product Brief

- High efficiency,low noise,high air volume,high pressure and low vibration Lasercutting blanking,high precision,beautiful shape.
- Blower impeller automatic punch blanking,mechanical insertion,after dynamicbalance strict correction,reduce vibration,smooth operation,durable.
- YE series of high-efficiency and energy-saving motors are used in the motor,with highefficiency,low energy consumption,good quality and long service life.
- Widely used in power,electronics,coal mines,geology,paper making, drying.environmental protection and other related industries.
- Particularly suitable for printing.plastics,packaging,film blowing,dust removal,drying,cooling and other machinery and general ventilation.



Technical Parameters

Model	Power	Voltage (v)	Frequency (Hz)	Speed (RPM)	Air flow (m³/h)	Air Pressure (Pa)
LWDF-2.5A	2.2KW	380	50	2840	3000-3600	1780-1550
LWDF-2.5A	3KW	380	50	2870	3800-4600	2050-1700
LWDF-2.8A	4KW	380	50	2890	4500-5400	2120-1830
LWDF-2.8A	5.5KW	380	50	2900	5000-6000	2360-2010
LWDF-3A	7.5KW	380	50	2900	5600-6700	2700-2290

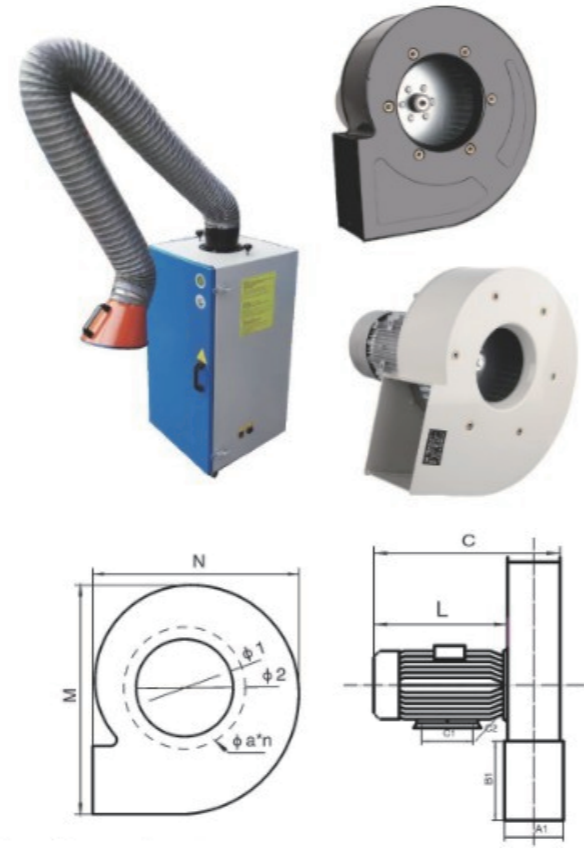
Installation Dimension

Model	Power	Outlet flange size						Inlet flange dimensions			Outline size								
		A1	A2	A3	B1	B2	B3	Φb*n	Φ1	Φ2	Φa*n	C1	C2	C	L	M	N	E	F
LWDF-2.5A	2.2KW	160	195	225	170	208	238	Φ11*8	165	280	Φ7*8	125	140	465	300	300	300	300	300
LWDF-2.5A	3KW	175	200	240	205	240	272	Φ11*8	183	268	Φ7*8	140	160	505	325	325	325	325	325
LWDF-2.8A	4KW	155	190	220	250	290	320	Φ11*8	205	280	Φ7*8	140	190	505	345	345	345	345	345
LWDF-2.8A	5.5KW	175	220	260	250	294	334	Φ11*8	205	280	Φ7*8	140	216	578	400	400	400	400	400
LWDF-3A	7.5KW	175	220	260	250	294	334	Φ11*8	205	280	Φ7*8	140	216	578	400	400	400	400	400

Special fan for welding fume dedusting

Product Brief

- Low noise,high wind volume.Silver bull independent research anddevelopment design,for the first time in China.
- New standard rivet nuts (embedded) to facilitate user docking and reduceflange costs.
- On the basis of the old model,a new impeller design is adopted to increase thewind pressure and volume.
- And in the fan intake side of the integrated molding,optimize the intake diversion,increase strength.



Technical Parameters

Model	Power	Voltage (v)	Frequency (Hz)	Speed (RPM)	Air flow (m³/h)	Air Pressure (Pa)	Noise (dB)	Hole spacing (mm)
LWHY-2-III	1.1KW	220/380	50	2800	1900-2400	1350-1240	82	190/205
LWHY-2.3	1.5KW	220/380	50	2840	2500-3100	1510-1390	83	248/205
LWHY-2.5-I	2.2KW	220/380	50	2840	3400-4100	1720-1580	84	268/205
LWHY-2.5-II	3KW	380	50	2870	3800-4600	1900-1740	85	268
LWHY-2.8A	4KW	380	50	2890	4500-5400	2120-1830	90	315
LWHY-2.8A	5.5KW	380	50	2900	5000-6000	2360-2010	95	315

Installation Dimension

Model	Power	Outlet flange size (A1 B1)	Inlet flange dimensions (Φ1 Φ2 Φa'n)	Outline size (C1 C2 M N L C)
LWHY-2-III	1.1KW	130 155	165 190 Φ8*6	100 125 335 387 245 395
LWHY-2.3	1.5KW	130 161	165 248 Φ8*6	100 140 364 425 270 385
LWHY-2.5-I	2.2KW	130 176	165 268 Φ8*6	125 140 385 435 296 430
LWHY-2.5-II	3KW	130 206	165 268 Φ8*6	140 160 400 445 330 470
LWHY-2.8A	4KW	155 250	260 315 Φ6*8	140 190 485 550 381 540
LWHY-2.8A	5.5KW	175 250	260 315 Φ6*8	140 216 485 550 441 618

Boiler Induced Draft Fan (High Temperature Resistance)

Product Brief

- Draw lessons from foreign advanced prototype,according to the boiler industry professionalresearch and development,design of new boiler fan.
- High temperature resistance,high efficiency,high air volume low vibration, low noise.laser cuttingof wind shells,beautiful shape.
- Y2 aluminium alloy die-casting material is used in the motor,which greatly reduces weight,achieveslightweight convenient installation and novel shape .
- The main components of the motor are high temperature resistant materials (high temperaturebearings,high temperature grease,high temperature insulation materials,etc).
- The motor is cooled by connecting the heat insulating connecting seat (with internal cooling vanes)with the wind housing to ensure the normal operation of the motor at high temperature.
- Widely used in heating furnace,hot air stove,numerical control boiler, steam boiler.dryingchemical industry,food,grain machinery And other related industries.
- Normal operating temperature of fan:180°C-200°C.



Technical Parameters

Model	Power	Voltage (v)	Frequency (Hz)	Speed (RPM)	Air flow (m³/h)	Air Pressure (Pa)
LW5-47	60KW	220/380	50	2800	240	310
LW5-47	90KW	220/380	50	2800	350	360
LW5-47	120KW	220/380	50	2800	480	450
LW5-47	180KW	220/380	50	2800	650	510
LW5-47	250KW	220/380	50	2800	860	580
LW5-47	370KW	220/380	50	2800	1100	650
LW5-47	550KW	220/380	50	2800	1450	680
LW5-47	750KW	220/380	50	2800	1810	790
LW5-47	1.1KW	220/380	50	2800	2250	940
LW5-47	1.5KW	220/380	50	2800	2800	1140
LW5-47	2.2KW	220/380	50	2800	3100	1280
LW5-47	3KW	220/380	50	2800	3800	1580

Centrifugal fan(aluminium fan)

Product Brief

- Large air volume, low vibration and low noise. Laser cutting blanking greatly improves the accuracy of the product, and the shape is beautiful and generous.
- YE series of high-efficiency and energy-saving motors are used in the motor, with high efficiency, low energy consumption, good quality and long service life.
- Widely used in industrial and mining enterprises, large buildings, factories, hotels, restaurants and other indoor and outdoor ventilation.
- Particularly suitable for heating furnace, hot blast stove, drying, chemical industry, food, grain machinery and other related industries.
- Optional high temperature resistant extended shaft motor, high temperature resistant 200°C.

Technical Parameters

Model	Power	Voltage (v)	Frequency (Hz)	Speed (RPM)	Air flow (m³/h)	Air Pressure (Pa)
LW4-72 2.5A	0.75KW-2	380	50	2830	785-1550	750-455
	1.1KW-2	380	50	2830	805-1677	792-483
LW4-72 2.8A	1.5KW-2	380	50	2840	1131-2356	994-606
LW4-72 3.2A	1.1KW-4	380	50	1450	884-1758	324-198
	2.2KW-2	380	50	2840	1688-3517	1300-792
LW4-72 3.6A	1.1KW-4	380	50	1450	1332-2634	393-247
	3KW-2	380	50	2870	2664-5268	1578-989
LW4-72 4A	4KW-2	380	50	2890	2850-5500	1686-1030
	1.1KW-4	380	50	1450	2006-3709	501-329
LW4-72 4.5A	5.5KW-2	380	50	2900	4012-7419	2014-1320
	1.1KW-4	380	50	1450	2856-5281	634-416
LW4-72 5A	7.5KW-2	380	50	2900	5712-10562	2554-1673
	2.2KW-4	380	50	1450	3864-7728	790-502
LW4-72 5.6A	11KW-2	380	50	2900	7228-13500	2890-1856
	15KW-2	380	50	2900	7728-15455	3187-2019
LW4-72 6A	3KW-4	380	50	1450	7062-9885	975-759
LW4-72 6A	4KW-4	380	50	1450	6677-13353	1139-724
	1.5KW-6	380	50	960	4420-8841	498-317



High pressure centrifugal fan

Product Brief

- High pressure and low vibration Laser cutting blanking greatly improves the accuracy of the product, and the shape is beautiful and generous.
- YE series of high-efficiency and energy-saving motors are used in the motor, with high efficiency, low energy consumption, good quality and long service life.
- Widely used for conveying materials, air and non-corrosive, non-spontaneous combustion, non-viscous gases.
- Especially suitable for high-pressure forced ventilation in general exercise, glass, ceramics, radio, electroplating, batteries and other industries, as well as grain, feed, etc Material conveying in mineral powder, plastics, chemical industry and boiler industry.
- Optional high temperature resistant extended shaft motor, high temperature resistant 200°C.

Technical Parameters

Model	Power	Voltage (v)	Frequency (Hz)	Speed (RPM)	Air flow (m³/h)	Air Pressure (Pa)
LW9-19 3.15A	0.75KW-2	380	50	2830	402-545	2223-2262
	1.1KW-2	380	50	2830	617-832	2231-2017
LW9-19 3.55A	1.5KW-2	380	50	2840	560-760	2545-2590
	2.2KW-2	380	50	2840	860-1160	2554-2310
LW9-19 4A	2.2KW-2	380	50	2840	824-1264	3584-3597
	3KW-2	380	50	2870	1410-1704	3507-3253
LW9-19 4.5A	4KW-2	380	50	2890	1174-2062	4603-4447
	5.5KW-2	380	50	2900	2281-2504	4297-4112
LW9-19 5A	7.5KW-2	380	50	2900	1610-2844	5697-5517
	11KW-2	380	50	2900	3166-3488	5323-5080
LW9-19 5.6A	11KW-2	380	50	2900	2622-3619	7182-7109
	15KW-2	380	50	2900	3309-4260	7068-6755
LW9-19 6.3A	18.5KW-2	380	50	2900	3996-4901	6954-6400
	18.5KW-2	380	50	2900	3220-5153	9149-9055
LW9-19 6.3A	22KW-2	380	50	2900	4455-6066	9003-8601
	30KW-4	380	50	2900	5690-6978	8857-8148



Centrifugal fan(aluminium fan)

Product Brief

- Special fan for plastic plastics.It is widely used in plastic machinery,printing machinery,filmblowing machinery,drying machinery and other industries.
- Large air volume,high pressure,high efficiency,low vibration and noise.
- The casing of the fan is made of aluminium casting,with novel style and beautiful appearance.The explosion-proof motor can be used as an explosion-proof fan.
- YE series of high-efficiency and energy-saving motors are used in the motor , with highefficiency,low energy consumption,good quality and long service life.



Technical Parameters

Model	Power	Voltage (v)	Frequency (Hz)	Speed (RPM)	Air flow (m³/h)	Air Pressure (Pa)	Noise (dBA)
LW5-34-3A	0.75KW	380	50	2830	650	1420	70
LW5-27-3.4A	1.1KW	380	50	2830	850	1550	74
LW5-27-3.8A	1.5KW	380	50	2840	1050	1860	76
LW5-27-4A	2.2KW	380	50	2840	1200	2250	76
LW5-32-4.1A	3KW	380	50	2870	1670	2850	78
LW5-32-4.4A	4KW	380	50	2890	1850	2980	80
LW5-32-4.8A	5.5KW	380	50	2900	2250	3400	80
LW5-32-4.8A	7.5KW	380	50	2900	2700	3900	80