



**Professional HVAC Fan
& Motors Manufacturer**

—— Cross Flow Fan



Website

Ningbo Longwell Electric Technology Co.,Ltd

TEL:+86 (574) 6218 9863

Skype : Brucehappy1

Fax:+86 18358274663

Whatsapp:+0086 18358274663

E-mail:sales@zjlongwell.com

Web:https://www.longwellfans.com/

Address:#NO.100 ,South of Xuxiang River ,Ditang District, Yuyao,Ningbo
Zhejiang Province,China 315400

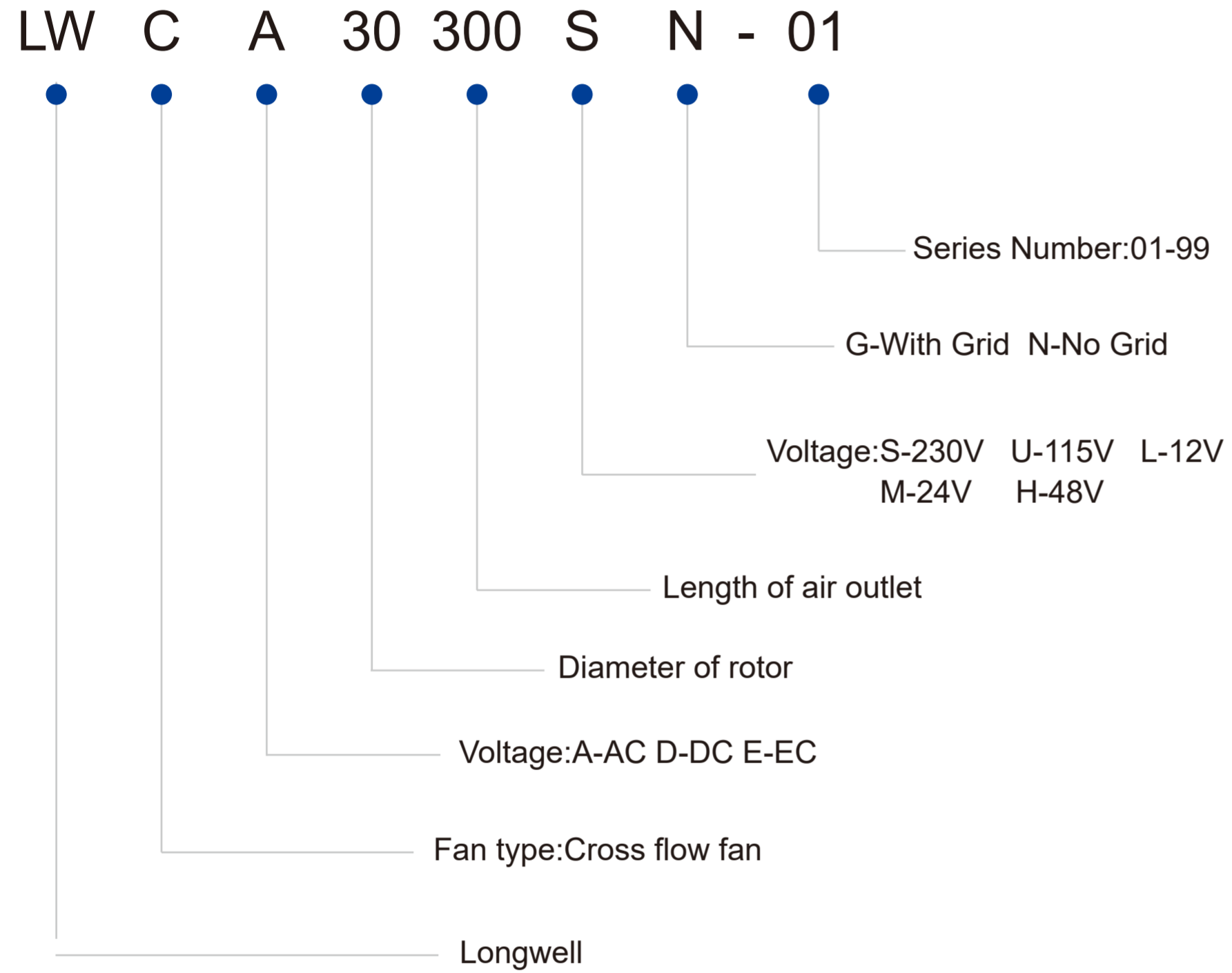
Ningbo Longwell Electric Technology CO, LTD



CATALOGUE

01	Type Code	-----
02-21	DC Cross Flow Fan	-----
22-39	AC Cross Flow Fan	-----
40-46	EC Cross Flow Fan	-----
47-48	Cross Flow Impeller	-----

Type Code



DC Cross Flow Fan

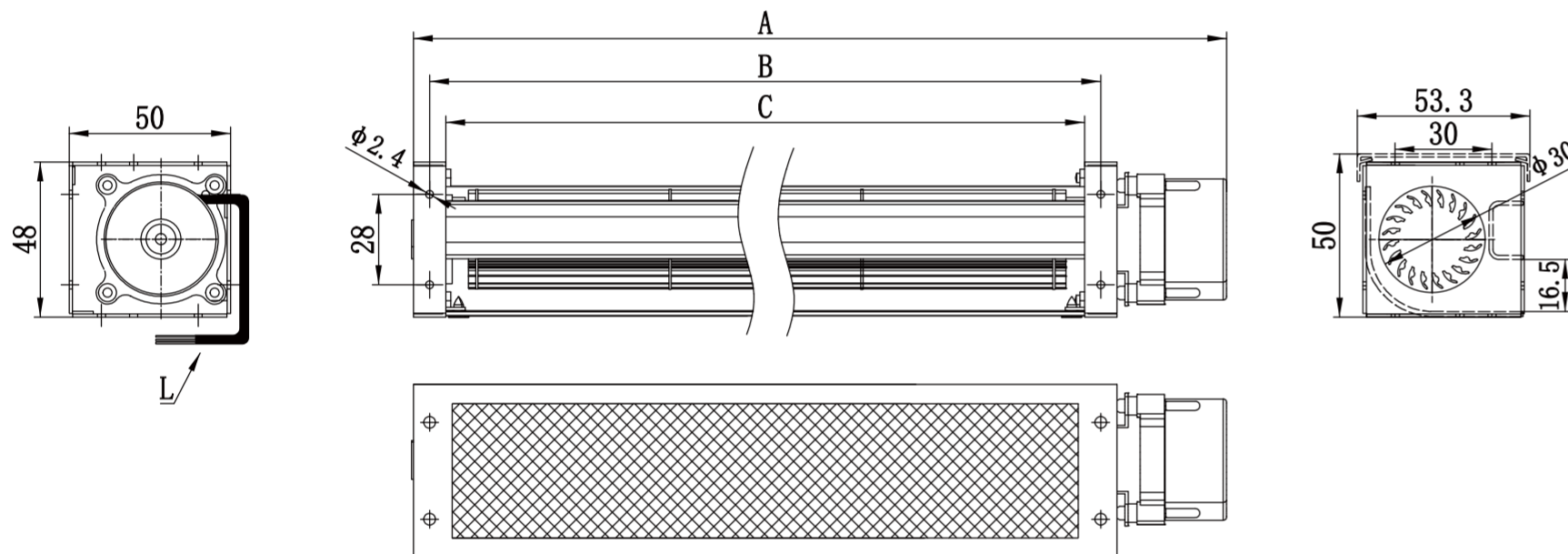
Professional HVAC Fan & Motors Manufacturer



LWCD-30 Series

Product Characteristic

- Motor Type : 3 Phase BLDC Motor
- Housing Material : Steel+Aluminum Alloy
- Blade Material : Aluminum Alloy
- Insulation Class : B
- Bearing Type: Ball bearing
- Operation Temperature : -25 °C ~ +60 °C



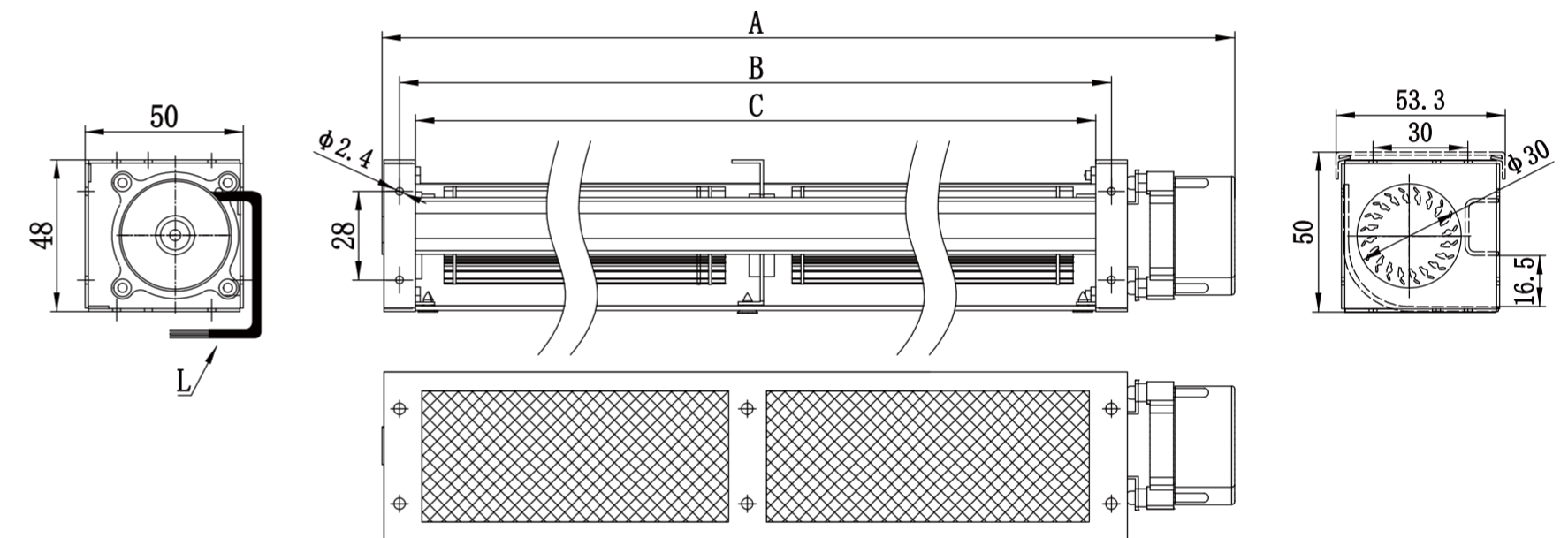
Technical Specifications

Model	A (mm)	B (mm)	C (mm)	Voltage (V)	Current (A)	Speed (RPM)	Pressure (Pa)	Air Flow (m³/h)	Noise [dB(A)]	Blower
LWCD-3090LN-06	152	108	98	12	0.09	2400	12	22	26	Single
LWCD-3090MN-07	152	108	98	24	0.04	2400	12	22	26	Single
LWCD-30150LN-06	214	170	160	12	0.1	2400	13	36	27	Single
LWCD-30150MN-07	214	170	160	24	0.05	2400	13	36	27	Single
LWCD-30190LN-06	252	208	198	12	0.1	2400	14	45	29	Single
LWCD-30190MN-07	252	208	198	24	0.05	2400	14	45	29	Single
LWCD-30250LN-06	302	258	248	12	0.11	2400	14	56	32	Single
LWCD-30250MN-07	302	258	248	24	0.06	2400	14	56	32	Single
LWCD-30290LN-06	354	310	300	12	0.12	2400	15	68	33	Single
LWCD-30290MN-07	354	310	300	24	0.07	2400	15	68	33	Single
LWCD-30350LN-06	406	362	352	12	0.13	2400	16	79	34	Single
LWCD-30350MN-07	406	362	352	24	0.08	2400	16	79	34	Single
LWCD-30420LN-06	474	430	420	12	0.14	2400	17	95	34	Single
LWCD-30420MN-07	474	430	420	24	0.09	2400	17	95	34	Single

LWCD-30 Series

Product Characteristic

- Motor Type : 3 Phase BLDC Motor
- Housing Material : Steel+Aluminum Alloy
- Blade Material : Aluminum Alloy
- Insulation Class : B
- Bearing Type: Ball bearing
- Operation Temperature : -25 °C ~ +60 °C



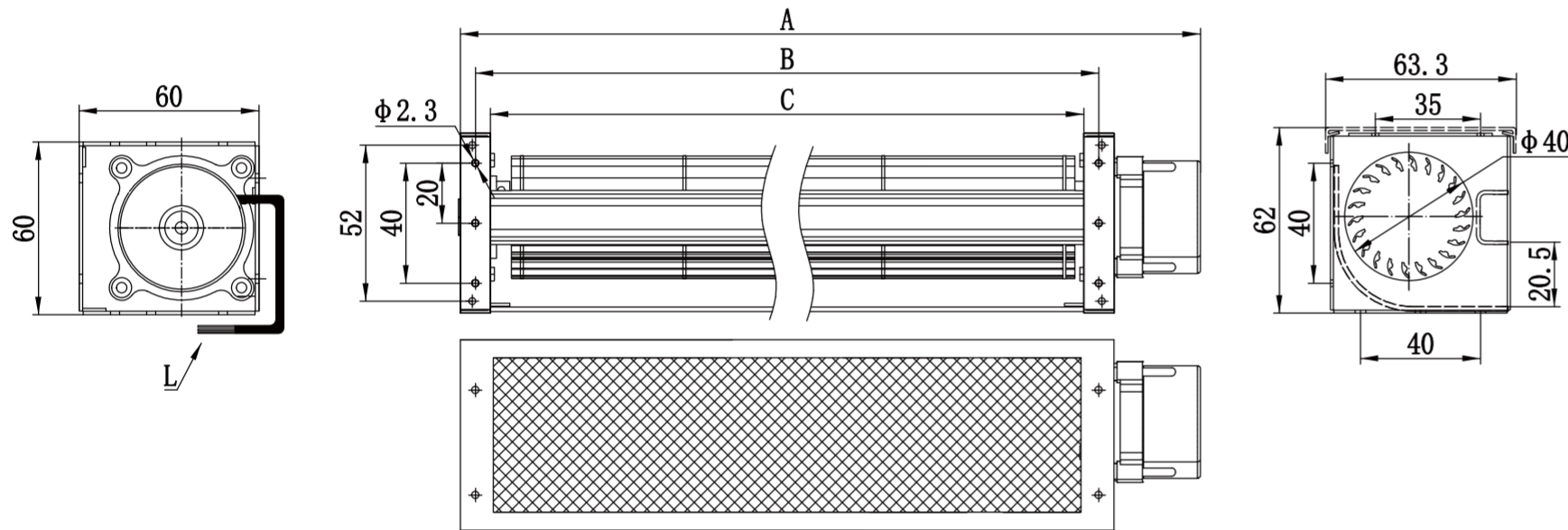
Technical Specifications

Model	A (mm)	B (mm)	C (mm)	Voltage (V)	Current (A)	Speed (RPM)	Pressure (Pa)	Air Flow (m³/h)	Noise [dB(A)]	Blower
LWCD-30530MN-06	584	540	530	24	0.12	2400	17	137	32	Double
LWCD-30610MN-06	664	620	610	24	0.13	2400	18	158	33	Double
LWCD-30650MN-06	704	660	650	24	0.13	2400	18	168	34	Double
LWCD-30718MN-06	772	728	718	24	0.14	2400	19	185	35	Double
LWCD-30800MN-06	854	810	800	24	0.18	2400	19	207	36	Triple
LWCD-30854MN-06	908	864	854	24	0.19	2400	20	221	36	Triple
LWCD-30920MN-06	974	930	920	24	0.21	2400	20	238	37	Triple
LWCD-30986MN-06	1040	996	986	24	0.22	2400	21	255	37	Triple
LWCD-301082MN-06	1136	1092	1082	24	0.24	2400	21	279	38	Triple

LWCD-40 Series

Product Characteristic

- Motor Type : 3 Phase BLDC Motor
- Housing Material : Steel+Aluminum Alloy
- Blade Material : Aluminum Alloy
- Insulation Class : B
- Bearing Type: Ball bearing
- Operation Temperature : -25 C ~ +60 C



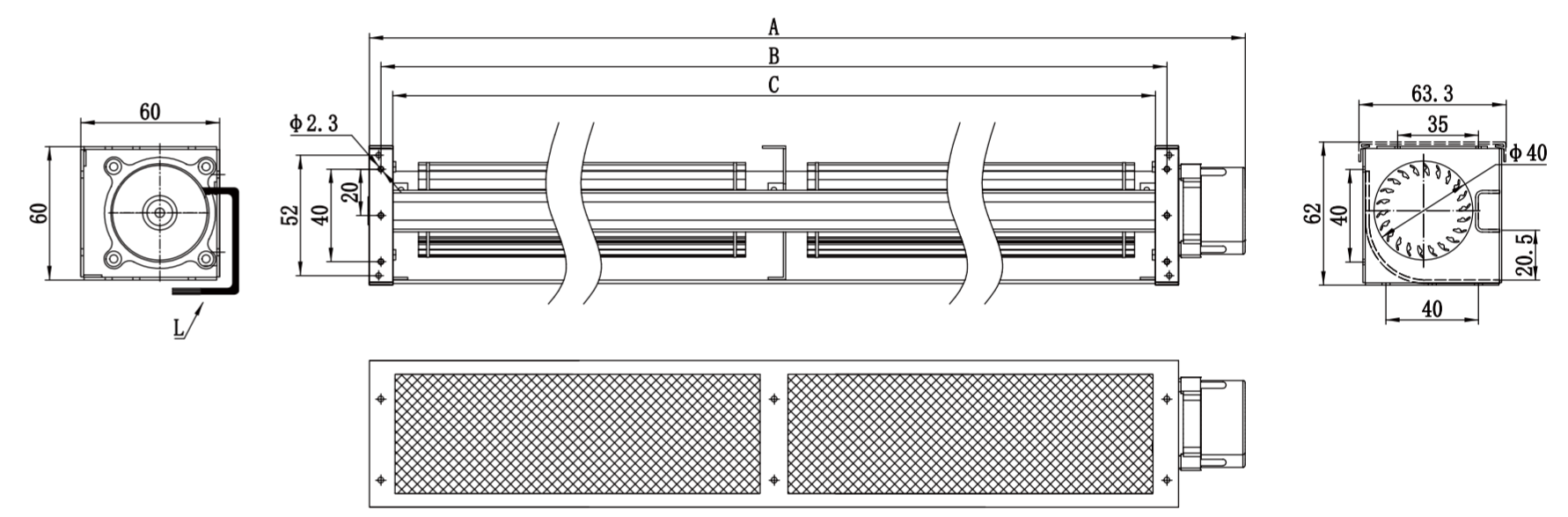
Technical Specifications

Model	A (mm)	B (mm)	C (mm)	Voltage (V)	Current (A)	Speed (RPM)	Pressure (Pa)	Air Flow (m³/h)	Noise [dB(A)]	Blower
LWCD-4090LN-06	149	108	98	12	0.12	2400	20	34	33	Single
LWCD-4090MN-07	149	108	98	24	0.06	2400	20	34	33	Single
LWCD-40150LN-06	210	170	160	12	0.14	2400	21	55	33	Single
LWCD-40150MN-07	210	170	160	24	0.08	2400	21	55	33	Single
LWCD-40190LN-06	249	208	198	12	0.16	2400	22	69	34	Single
LWCD-40190MN-07	249	208	198	24	0.09	2400	22	69	34	Single
LWCD-40250LN-06	300	260	250	12	0.18	2400	23	87	35	Single
LWCD-40250MN-07	300	260	250	24	0.11	2400	23	87	35	Single
LWCD-40290LN-06	352	310	300	12	0.2	2400	24	104	35	Single
LWCD-40290MN-07	352	310	300	24	0.13	2400	24	104	35	Single
LWCD-40350LN-06	417	358	348	12	0.24	2400	24	121	36	Single
LWCD-40350MN-07	417	358	348	24	0.15	2400	24	121	36	Single
LWCD-40420LN-06	472	430	420	12	0.29	2400	25	146	37	Single
LWCD-40420MN-07	472	430	420	24	0.17	2400	25	146	37	Single

LWCD-40 Series

Product Characteristic

- Motor Type : 3 Phase BLDC Motor
- Housing Material : Steel+Aluminum Alloy
- Blade Material : Aluminum Alloy
- Insulation Class : B
- Bearing Type: Ball bearing
- Operation Temperature : -25 C ~ +60 C



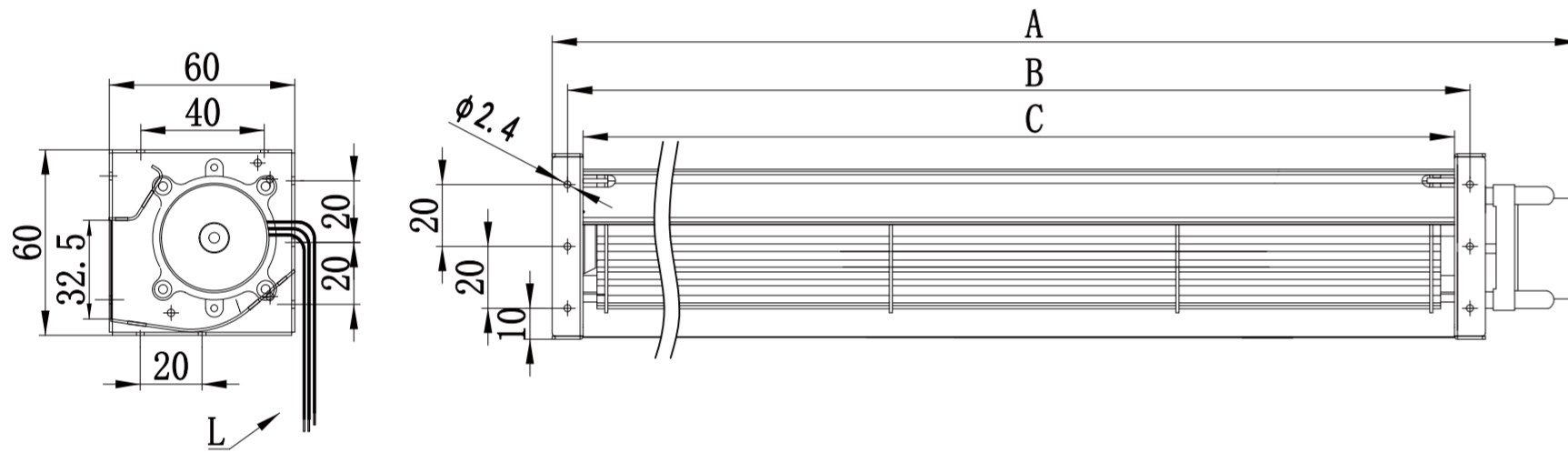
Technical Specifications

Model	A (mm)	B (mm)	C (mm)	Voltage (V)	Current (A)	Speed (RPM)	Pressure (Pa)	Air Flow (m³/h)	Noise [dB(A)]	Blower
LWCD-40530MN-06	580	540	530	24	0.19	2400	25	176	37	Double
LWCD-40610MN-06	670	620	610	24	0.21	2400	26	203	37	Double
LWCD-40700MN-06	750	710	700	24	0.23	2400	26	232	38	Double
LWCD-40800MN-06	850	810	800	24	0.25	2000	25	236	35	Triple
LWCD-40854MN-06	904	864	854	24	0.28	2000	26	252	35	Triple
LWCD-40920MN-06	973	930	920	24	0.31	2000	26	272	36	Triple
LWCD-401055MN-06	1108	1065	1055	24	0.35	2000	27	311	36	Triple

LWCD-43 Series

Product Characteristic

- Motor Type : 3 Phase BLDC Motor
- Housing Material : Steel+Aluminum Alloy
- Blade Material : Aluminum Alloy
- Insulation Class : B
- Bearing Type: Ball bearing
- Operation Temperature : -25 °C ~ +60 °C



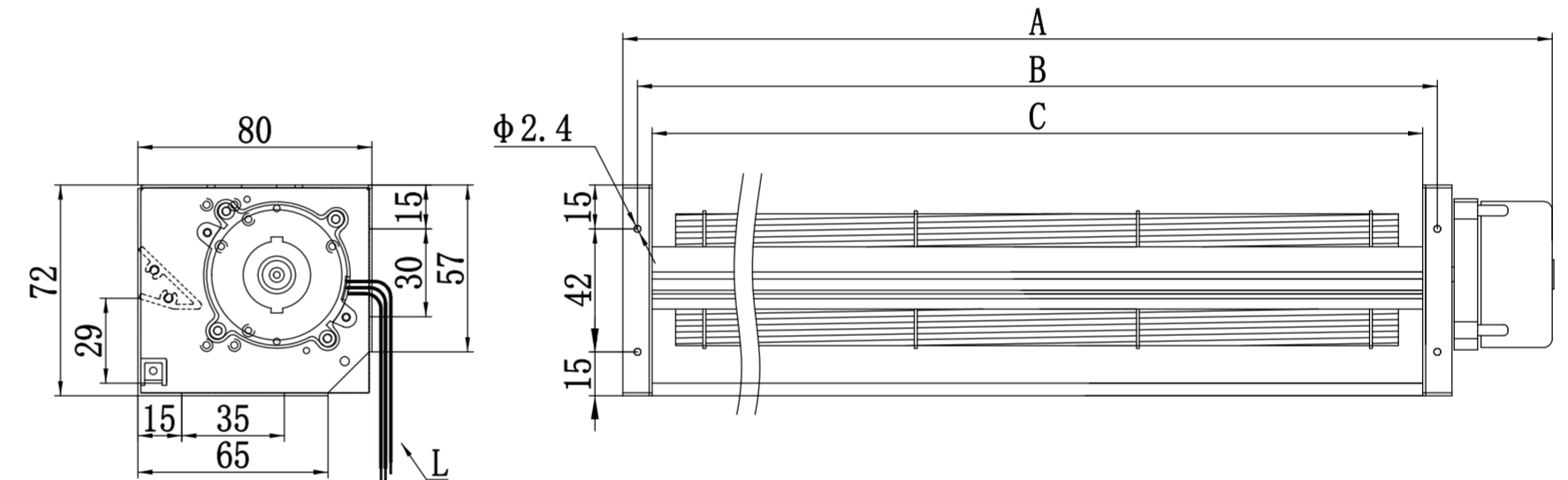
Technical Specifications

Model	A (mm)	B (mm)	C (mm)	Voltage (V)	Current (A)	Speed (RPM)	Pressure (Pa)	Air Flow (m³/h)	Noise [dB(A)]	Blower
LWCD-4390LN-06	145	108	98	12	0.12	2400	12	44	36	Single
LWCD-4390MN-07	145	108	98	24	0.07	2400	12	44	36	Single
LWCD-43150LN-06	210	170	160	12	0.18	2400	12	73	37	Single
LWCD-43150MN-07	210	170	160	24	0.1	2400	12	73	37	Single
LWCD-43190LN-06	230	208	198	12	0.2	2400	13	90	39	Single
LWCD-43190MN-07	230	208	198	24	0.12	2400	13	90	39	Single
LWCD-43250LN-06	300	260	250	12	0.23	2400	14	113	40	Single
LWCD-43250MN-07	300	260	250	24	0.13	2400	14	113	40	Single
LWCD-43290LN-06	352	310	300	12	0.26	2400	14	136	41	Single
LWCD-43290MN-07	352	310	300	24	0.14	2400	14	136	41	Single
LWCD-43350LN-06	417	358	348	12	0.29	2400	15	158	41	Single
LWCD-43350MN-07	417	358	348	24	0.16	2400	15	158	41	Single
LWCD-43420LN-06	472	430	420	12	0.32	2400	16	191	43	Single
LWCD-43420MN-07	472	430	420	24	0.17	2400	16	191	43	Single

LWCD-45 Series

Product Characteristic

- Motor Type : 3 Phase BLDC Motor
- Housing Material : Steel+Aluminum Alloy
- Blade Material : Aluminum Alloy
- Insulation Class : B
- Bearing Type: Ball bearing
- Operation Temperature : -25 °C ~ +60 °C



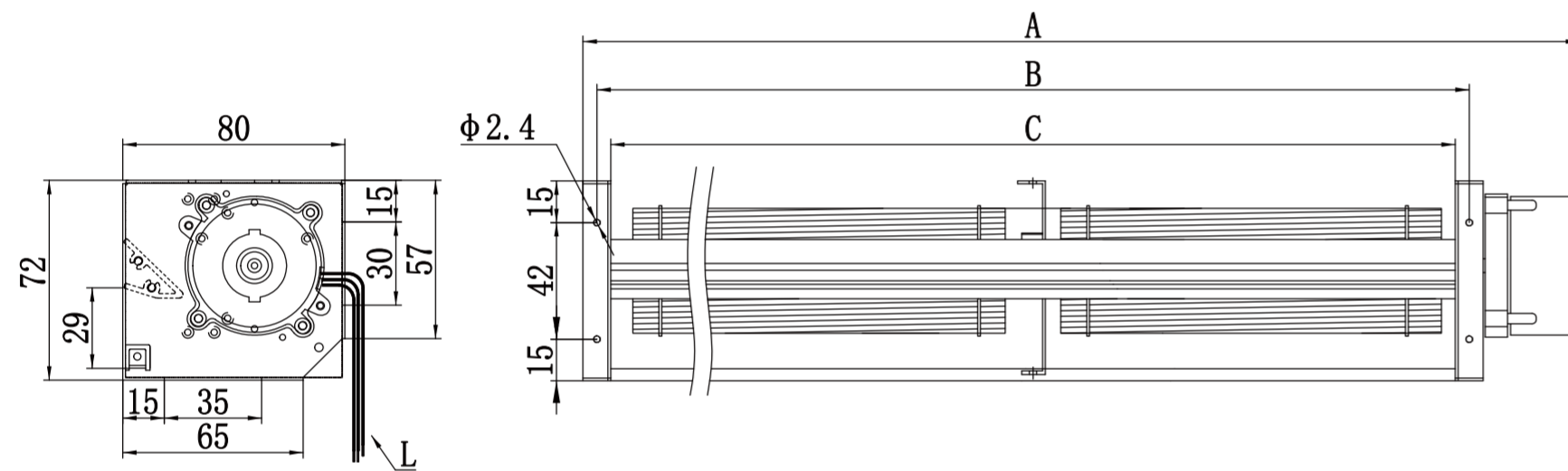
Technical Specifications

Model	A (mm)	B (mm)	C (mm)	Voltage (V)	Current (A)	Speed (RPM)	Pressure (Pa)	Air Flow (m³/h)	Noise [dB(A)]	Blower
LWCD-4590MN-06	145	100	90	24	0.17	2000	21	50	37	Single
LWCD-45150MN-06	205	160	150	24	0.21	2000	22	83	37	Single
LWCD-45190MN-06	245	200	190	24	0.27	2000	22	105	37	Single
LWCD-45250MN-06	305	260	250	24	0.3	2000	23	138	38	Single
LWCD-45310MN-06	365	320	310	24	0.35	2000	24	172	41	Single
LWCD-45350MN-06	405	360	350	24	0.38	2000	24	194	42	Single

LWCD-45 Series

Product Characteristic

- Motor Type : 3 Phase BLDC Motor
- Housing Material : Steel+Aluminum Alloy
- Blade Material : Aluminum Alloy
- Insulation Class : B
- Bearing Type: Ball bearing
- Operation Temperature : -25 °C ~ +60 °C



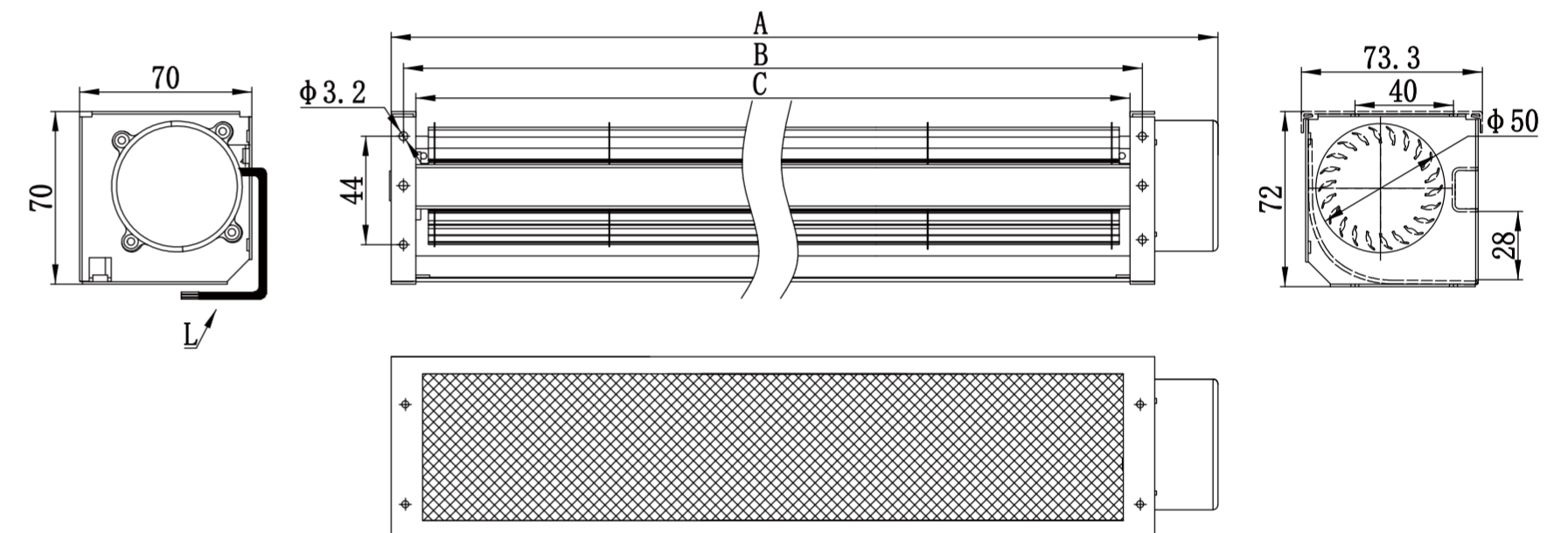
Technical Specifications

Model	A (mm)	B (mm)	C (mm)	Voltage (V)	Current (A)	Speed (RPM)	Pressure (Pa)	Air Flow (m³/h)	Noise [dB(A)]	Blower
LWCD-45530MN-06	585	540	530	24	0.49	2000	28	277	44	Double
LWCD-45630MN-06	685	640	630	24	0.7	2000	28	329	45	Double
LWCD-45700MN-06	755	710	700	24	0.85	2000	28	365	46	Double
LWCD-45750MN-06	805	760	750	24	0.94	2000	28	392	46	Double
LWCD-45870MN-06	915	880	870	24	0.8	2000	26	454	47	Double

LWCD-50 Series

Product Characteristic

- Motor Type : 3 Phase BLDC Motor
- Housing Material : Steel+Aluminum Alloy
- Blade Material : Aluminum Alloy
- Insulation Class : B
- Bearing Type: Ball bearing
- Operation Temperature : -25 °C ~ +60 °C



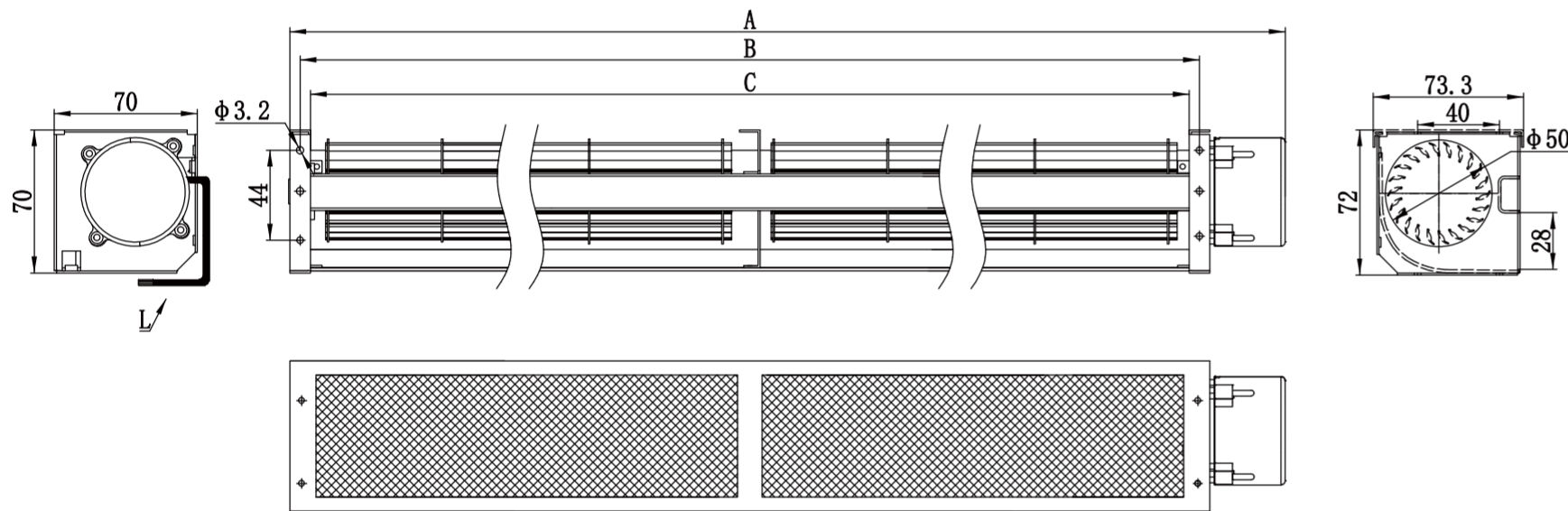
Technical Specifications

Model	A (mm)	B (mm)	C (mm)	Voltage (V)	Current (A)	Speed (RPM)	Pressure (Pa)	Air Flow (m³/h)	Noise [dB(A)]	Blower
LWCD-5090LN-06	144	108	98	12	0.14	2000	40	54	37	Single
LWCD-5090MN-07	144	108	98	24	0.07	2000	40	54	37	Single
LWCD-50150LN-06	204	168	158	12	0.2	2000	38	88	37	Single
LWCD-50150MN-07	204	168	158	24	0.1	2000	38	88	37	Single
LWCD-50190LN-06	244	208	198	12	0.28	2000	36	110	38	Single
LWCD-50190MN-07	244	208	198	24	0.14	2000	36	110	38	Single
LWCD-50250LN-06	296	260	250	12	0.36	2000	34	139	39	Single
LWCD-50250MN-07	296	260	250	24	0.18	2000	34	139	39	Single
LWCD-50290LN-06	336	300	290	12	0.44	2000	30	161	40	Single
LWCD-50290MN-07	336	300	290	24	0.22	2000	30	161	40	Single
LWCD-50350LN-06	404	368	358	12	0.52	2000	26	198	41	Single
LWCD-50350MN-07	404	368	358	24	0.26	2000	26	198	41	Single
LWCD-50420LN-06	464	428	418	12	0.6	2000	20	232	42	Single
LWCD-50420MN-07	464	428	418	24	0.3	2000	20	232	42	Single

LWCD-50 Series

Product Characteristic

- Motor Type : 3 Phase BLDC Motor
- Housing Material : Steel+Aluminum Alloy
- Blade Material : Aluminum Alloy
- Insulation Class : B
- Bearing Type: Ball bearing
- Operation Temperature : -25 °C ~ +60 °C



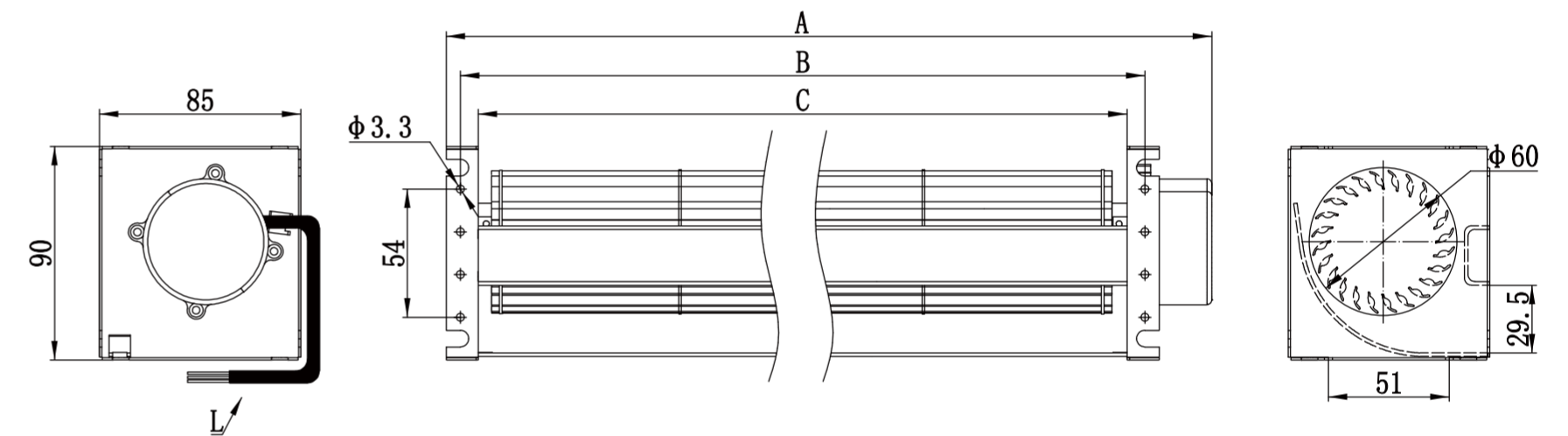
Technical Specifications

Model	A (mm)	B (mm)	C (mm)	Voltage (V)	Current (A)	Speed (RPM)	Pressure (Pa)	Air Flow (m³/h)	Noise [dB(A)]	Blower
LWCD-50530MN-06	567	540	530	24	0.33	2000	21	288	43	Double
LWCD-50610MN-06	647	620	610	24	0.37	2000	19	332	42	Double
LWCD-50700MN-06	737	710	700	24	0.41	2000	20	381	43	Double

LWCD-60 Series

Product Characteristic

- Motor Type : 3 Phase BLDC Motor
- Housing Material : Steel+Aluminum Alloy
- Blade Material : Aluminum Alloy
- Insulation Class : B
- Bearing Type: Ball bearing
- Operation Temperature : -25 °C ~ +60 °C



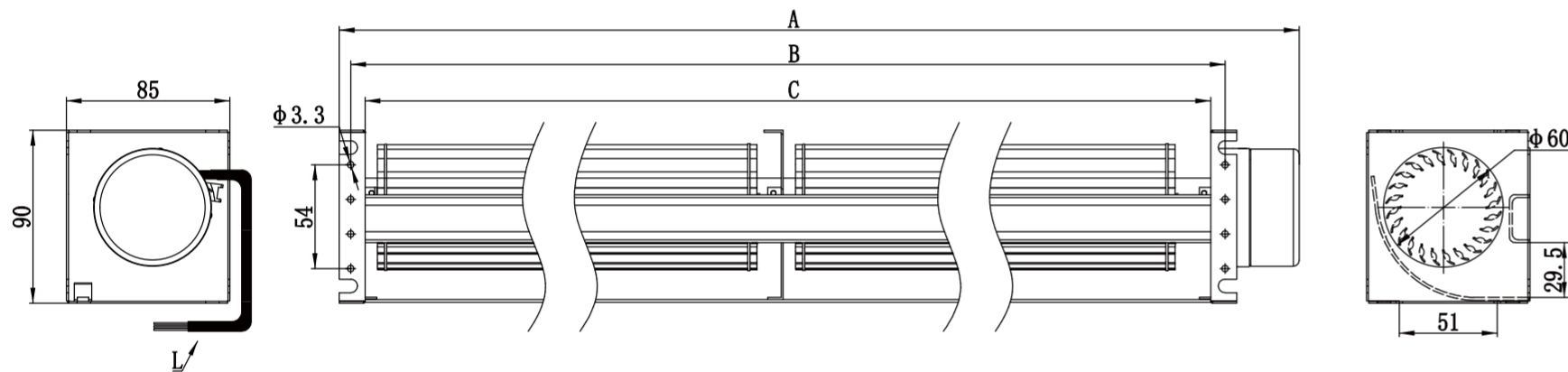
Technical Specifications

Model	A (mm)	B (mm)	C (mm)	Voltage (V)	Current (A)	Speed (RPM)	Pressure (Pa)	Air Flow (m³/h)	Noise [dB(A)]	Blower
LWCD-60120LN-06	186	138	123	12	0.68	2000	27	102	38	Single
LWCD-60120MN-07	186	138	123	24	0.35	2000	27	102	38	Single
LWCD-60180LN-06	246	199	184	12	0.75	2000	29	152	38	Single
LWCD-60180MN-07	246	199	184	24	0.4	2000	29	152	38	Single
LWCD-60240LN-06	307	259	245	12	0.78	2000	32	203	39	Single
LWCD-60240MN-07	307	259	245	24	0.42	2000	32	203	39	Single
LWCD-60300LN-06	368	321	306	12	0.8	2000	34	207	41	Single
LWCD-60300MN-07	368	321	306	24	0.46	2000	34	207	41	Single
LWCD-60360LN-06	430	383	368	12	0.95	2000	34	240	42	Single
LWCD-60360MN-07	430	383	368	24	0.51	2000	34	240	42	Single
LWCD-60420LN-06	492	444	429	12	0.11	2000	35	355	43	Single
LWCD-60420MN-07	492	444	429	24	0.53	2000	35	355	43	Single

LWCD-60 Series

Product Characteristic

- Motor Type : 3 Phase BLDC Motor
- Housing Material : Steel+Aluminum Alloy
- Blade Material : Aluminum Alloy
- Insulation Class : B
- Bearing Type: Ball bearing
- Operation Temperature : -25 °C ~ +60 °C



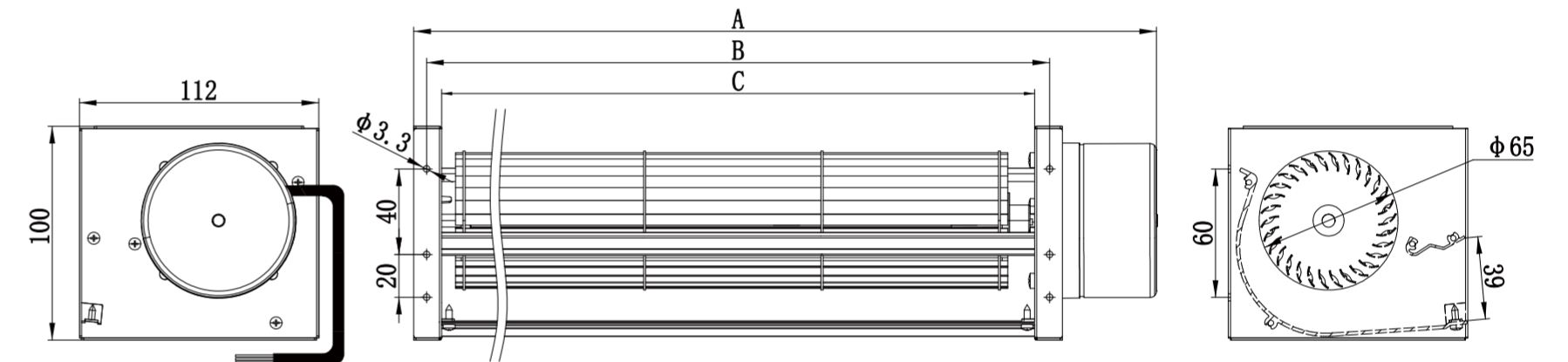
Technical Specifications

Model	A (mm)	B (mm)	C (mm)	Voltage (V)	Current (A)	Speed (RPM)	Pressure (Pa)	Air Flow (m³/h)	Noise [dB(A)]	Blower
LWCD-60520MN-06	600	535	520	24	1.04	1800	28	414	45	Double
LWCD-60610MN-06	690	625	610	24	1.1	1800	29	486	46	Double
LWCD-60640MN-06	720	655	640	24	1.13	1800	29	510	47	Double
LWCD-60700MIN-06	780	715	700	24	1.17	1800	30	558	47	Double
LWCD-60750MN-06	830	765	750	24	1.2	1800	31	597	48	Double
LWCD-60870MN-06	950	885	870	24	1.25	1800	32	693	50	Double
LWCD-601100MN-06	1185	1120	1105	24	1.3	1800	34	857	51	Triple
LWCD-601300MN-06	1385	1320	1305	24	1.36	1800	35	1012	52	Triple

LWCD-65 Series

Product Characteristic

- Motor Type : 3 Phase BLDC Motor
- Housing Material : Steel+Aluminum Alloy
- Blade Material : Aluminum Alloy
- Insulation Class : B
- Bearing Type: Ball bearing
- Operation Temperature : -25 °C ~ +60 °C



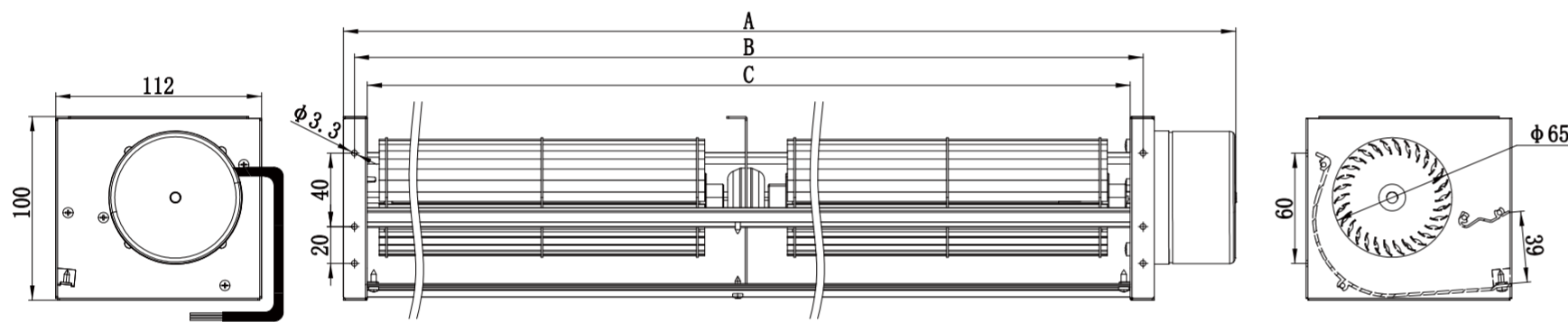
Technical Specifications

Model	A (mm)	B (mm)	C (mm)	Voltage (V)	Current (A)	Speed (RPM)	Pressure (Pa)	Air Flow (m³/h)	Noise [dB(A)]	Blower
LWCD-65120LN-06	192	137	123	12	1.3	1800	40	143	47	Single
LWCD-65120MN-07	192	137	123	24	0.5	1800	40	143	47	Single
LWCD-65180LN-06	253	198	184	12	1.5	1800	41	214	47	Single
LWCD-65180MN-07	253	198	184	24	0.6	1800	41	214	47	Single
LWCD-65240LN-06	314	259	245	12	1.7	1800	42	286	48	Single
LWCD-65240MN-07	314	259	245	24	0.7	1800	42	286	48	Single
LWCD-65300LN-06	375	320	306	12	1.8	1800	42	357	49	Single
LWCD-65300MN-07	375	320	306	24	0.8	1800	42	357	49	Single
LWCD-65360LN-06	437	382	368	12	1.9	1800	43	429	50	Single
LWCD-65360MN-07	437	382	368	24	0.8	1800	43	429	50	Single
LWCD-65420LN-06	498	443	429	12	2	1800	44	500	52	Single
LWCD-65420MN-07	498	443	429	24	0.9	1800	44	500	52	Single
LWCD-65520MN-07	589	534	520	24	1.2	1800	52	606	53	Single
LWCD-65520LN-06	589	534	520	12	2.7	1800	52	606	53	Single
LWCD-65620MN-07	689	634	620	24	1.25	1800	53	722	53	Single
LWCD-65620LN-06	689	634	620	12	2.5	1800	53	722	53	Single

LWCD-65 Series

Product Characteristic

- Motor Type : 3 Phase BLDC Motor
- Housing Material : Steel+Aluminum Alloy
- Blade Material : Aluminum Alloy
- Insulation Class : B
- Bearing Type: Ball bearing
- Operation Temperature : -25 °C ~ +60 °C



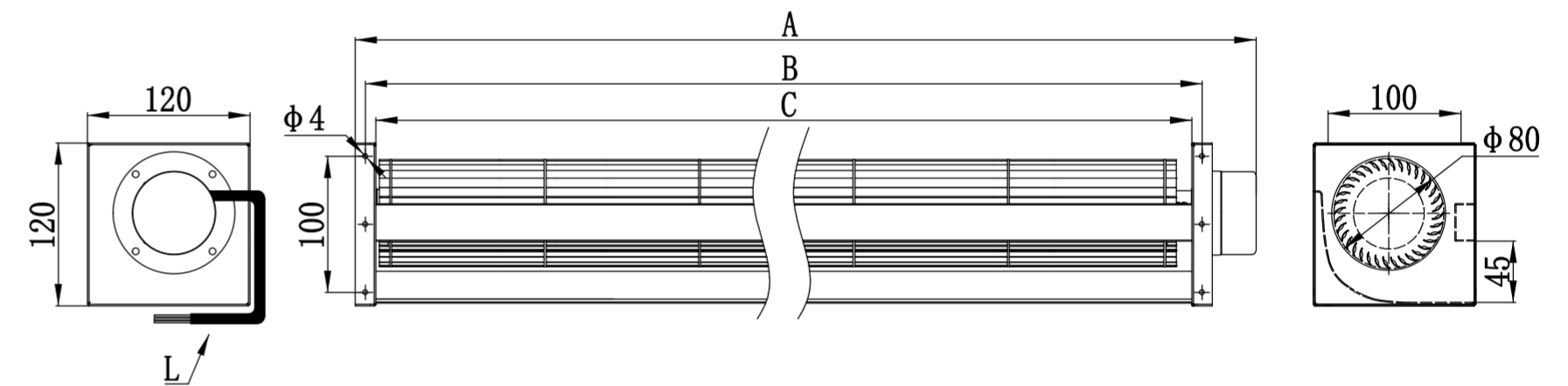
Technical Specifications

Model	A (mm)	B (mm)	C (mm)	Voltage (V)	Current (A)	Speed (RPM)	Pressure (Pa)	Air Flow (m³/h)	Noise [dB(A)]	Blower
LWCD-65720MN-07	789	734	720	24	1.3	1800	55	819	53	Double
LWCD-65720LN-06	789	734	720	12	2.6	1800	55	819	53	Double
LWCD-65750MN-07	819	764	750	24	1.4	1800	56	853	54	Double
LWCD-65750LN-06	819	764	750	12	2.8	1800	56	853	54	Double
LWCD-65820MN-07	889	834	820	24	1.5	1800	56	933	55	Double
LWCD-65820LN-06	889	834	820	12	3	1800	56	933	55	Double
LWCD-65870MN-07	939	884	870	24	1.6	1800	58	990	55	Double
LWCD-65870LN-06	939	884	870	12	3.2	1800	58	990	55	Double
LWCD-651100MN-06	1174	1119	1105	24	4.2	1800	58	1178	55	Triple
LWCD-651300MN-06	1374	1319	1305	24	4.2	1800	58	1392	55	Triple

LWCD-80 Series

Product Characteristic

- Motor Type : 3 Phase BLDC Motor
- Housing Material : Steel+Aluminum Alloy
- Blade Material : Aluminum Alloy
- Insulation Class : B
- Bearing Type: Ball bearing
- Operation Temperature : -25 °C ~ +60 °C



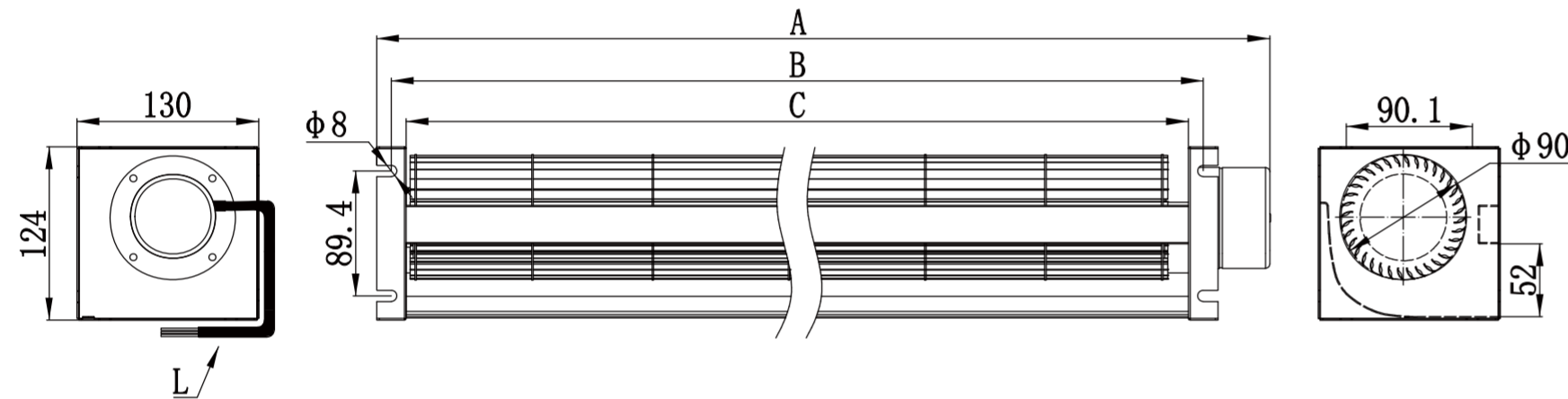
Technical Specifications

Model	A (mm)	B (mm)	C (mm)	Voltage (V)	Power (W)	Speed (RPM)	Pressure (Pa)	Air Flow (m³/h)	Noise [dB(A)]	Blower
LWCD-80350MN-06	412	365	350	24	13	1500	50	465	53	Single
LWCD-80520MN-06	582	535	520	24	23	1500	52	632	54	Single
LWCD-80620MN-06	704	635	620	24	31	1500	53	810	55	Single
LWCD-80720MN-06	804	735	720	24	33	1500	53	1000	55	Single
LWCD-80820MN-06	904	835	820	24	45	1500	54	1250	56	Single

LWCD-90 Series

Product Characteristic

- Motor Type : 3 Phase BLDC Motor
- Housing Material : Steel+Aluminum Alloy
- Blade Material : Aluminum Alloy
- Insulation Class : B
- Bearing Type: Ball bearing
- Operation Temperature : -25 °C ~ +60 °C



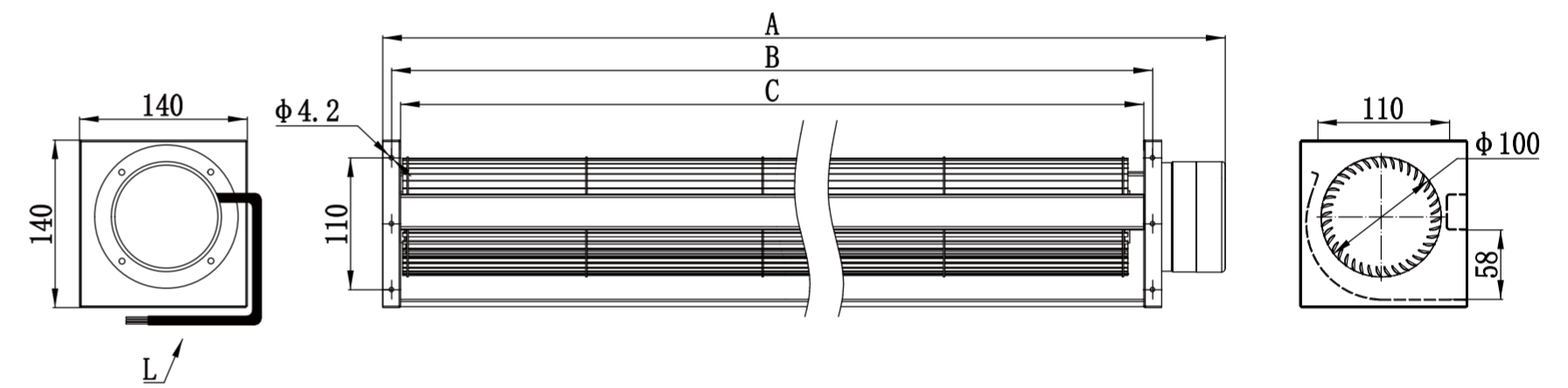
Technical Specifications

Model	A (mm)	B (mm)	C (mm)	Voltage (V)	Power (W)	Speed (RPM)	Pressure (Pa)	Air Flow (m³/h)	Noise [dB(A)]	Blower
LWCD-90360MN-06	428	381	360	24	24.5	1500	51	607	54	Single
LWCD-90520MN-06	610	546	520	24	40	1500	53	876	56	Single
LWCD-90680MN-06	770	701	680	24	65	1500	54	1146	57	Single
LWCD-90800MN-06	890	821	800	24	80	1500	55	1348	58	Single
LWCD-90930MN-06	1028	951	930	24	96	1500	56	1567	59	Single

LWCD-100 Series

Product Characteristic

- Motor Type : 3 Phase BLDC Motor
- Housing Material : Steel+Aluminum Alloy
- Blade Material : Aluminum Alloy
- Insulation Class : B
- Bearing Type: Ball bearing
- Operation Temperature : -25 °C ~ +60 °C



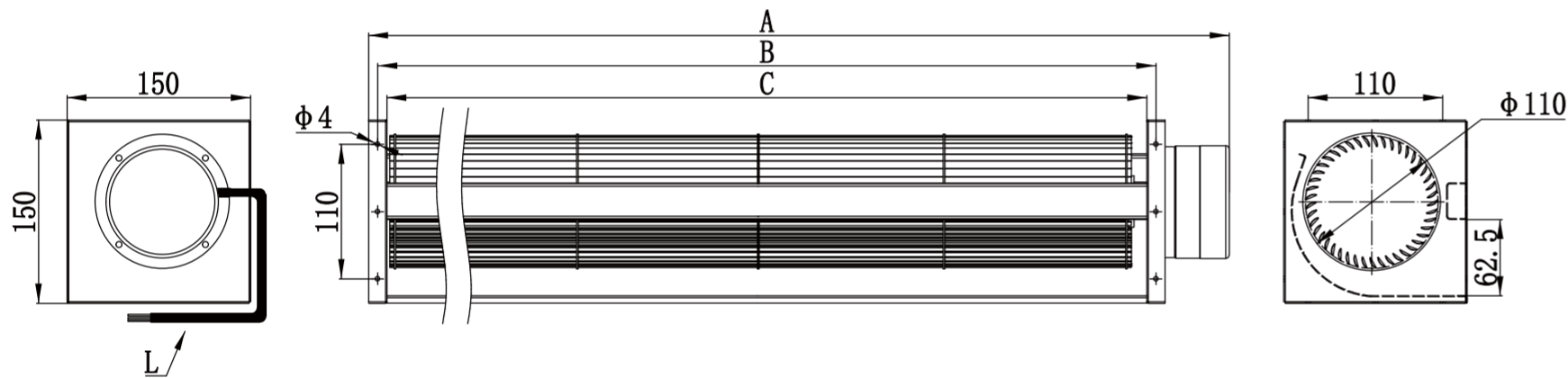
Technical Specifications

Model	A (mm)	B (mm)	C (mm)	Voltage (V)	Power (W)	Speed (RPM)	Pressure (Pa)	Air Flow (m³/h)	Noise [dB(A)]	Blower
LWCD-100380MN-06	464	395	380	24	26.5	1500	58	778	55	Single
LWCD-100520MN-06	604	535	520	24	60	1500	60	1064	58	Single
LWCD-100620MN-06	704	635	620	24	75	1500	60	1269	59	Single
LWCD-100720MN-06	812	735	720	24	115.2	1500	61	1473	60	Single
LWCD-100820MN-06	912	835	820	24	120	1500	62	1678	61	Single

LWCD-110 Series

Product Characteristic

- Motor Type : 3 Phase BLDC Motor
- Housing Material : Steel+Aluminum Alloy
- Blade Material : Aluminum Alloy
- Insulation Class : B
- Bearing Type: Ball bearing
- Operation Temperature : -25 °C ~ +60 °C



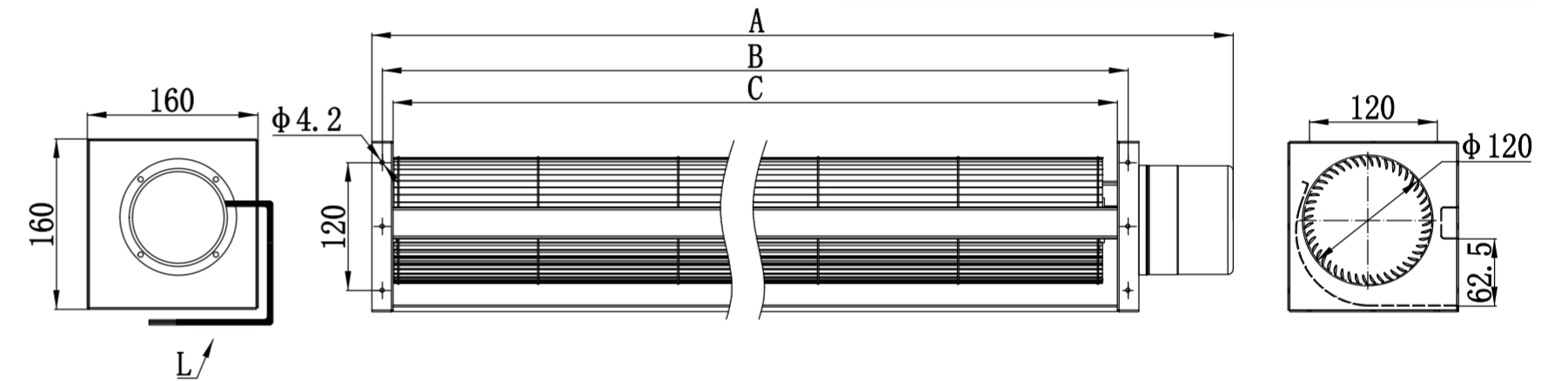
Technical Specifications

Model	A (mm)	B (mm)	C (mm)	Voltage (V)	Power (W)	Speed (RPM)	Pressure (Pa)	Air Flow (m³/h)	Noise [dB(A)]	Blower
LWCD-110380MN-06	464	395	380	24	70	1200	52	881	55	Single
LWCD-110520MN-06	612	535	520	24	100	1200	54	1205	57	Single
LWCD-110620MN-06	712	635	620	24	120	1200	55	1437	57	Single
LWCD-110720MN-06	812	735	720	24	132	1200	56	1669	58	Single
LWCD-110820MN-06	912	835	820	24	146	1200	57	1845	59	Single

LWCD-120 Series

Product Characteristic

- Motor Type : 3 Phase BLDC Motor
- Housing Material : Steel+Aluminum Alloy
- Blade Material : Aluminum Alloy
- Insulation Class : B
- Bearing Type: Ball bearing
- Operation Temperature : -25 °C ~ +60 °C



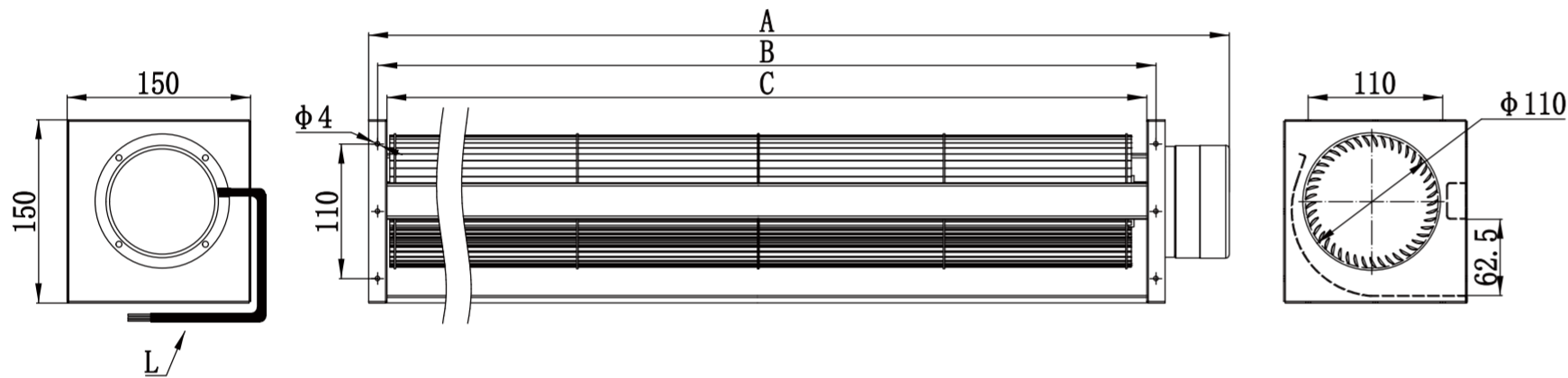
Technical Specifications

Model	A (mm)	B (mm)	C (mm)	Voltage (V)	Power (W)	Speed (RPM)	Pressure (Pa)	Air Flow (m³/h)	Noise [dB(A)]	Blower
LWCD-120380MN-06	477	400	380	24	48	1350	58	1009	56	Single
LWCD-120490MN-06	587	510	490	24	90	1350	58	1301	57	Single
LWCD-120560MN-06	657	580	560	24	110	1350	59	1487	57	Single
LWCD-120680MN-06	777	700	680	24	123	1350	59	1805	58	Single
LWCD-120780MN-06	916	800	780	24	144	1350	60	2071	60	Single

LWCD-150 Series

Product Characteristic

- Motor Type : 3 Phase BLDC Motor
- Housing Material : Steel+Aluminum Alloy
- Blade Material : Aluminum Alloy
- Insulation Class : B
- Bearing Type: Ball bearing
- Operation Temperature : -25 °C ~ +60 °C



Technical Specifications

Model	A (mm)	B (mm)	C (mm)	Voltage (V)	Power (W)	Speed (RPM)	Pressure (Pa)	Air Flow (m³/h)	Noise [dB(A)]	Blower
LWCD-150380MN-06	477	400	380	24	80	1000	57	1200	62	Single
LWCD-150500MN-06	597	520	500	24	84	800	54	1600	60	Single
LWCD-150700MN-06	836	720	700	24	105	800	55	2500	60	Single

AC Cross Flow Fan

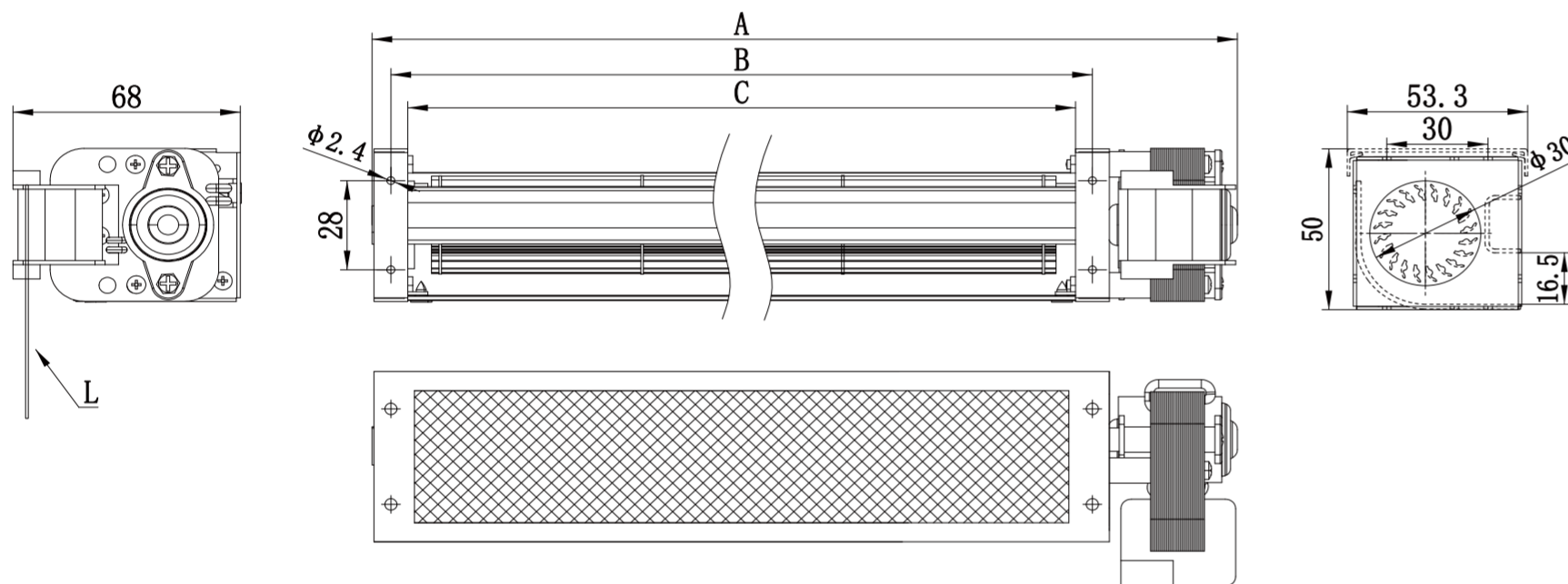
Professional HVAC Fan & Motors Manufacturer



LWCA-30 Series

Product Characteristic

- Motor Type : AC Shaded Pole Motor
- Housing Material : Galvanized Sheet Steel
- Blade Material : Aluminum Alloy
- Insulation Class : B/F/H
- Bearing Type: Ball bearing
- Operation Temperature : -25 °C ~ +60 °C



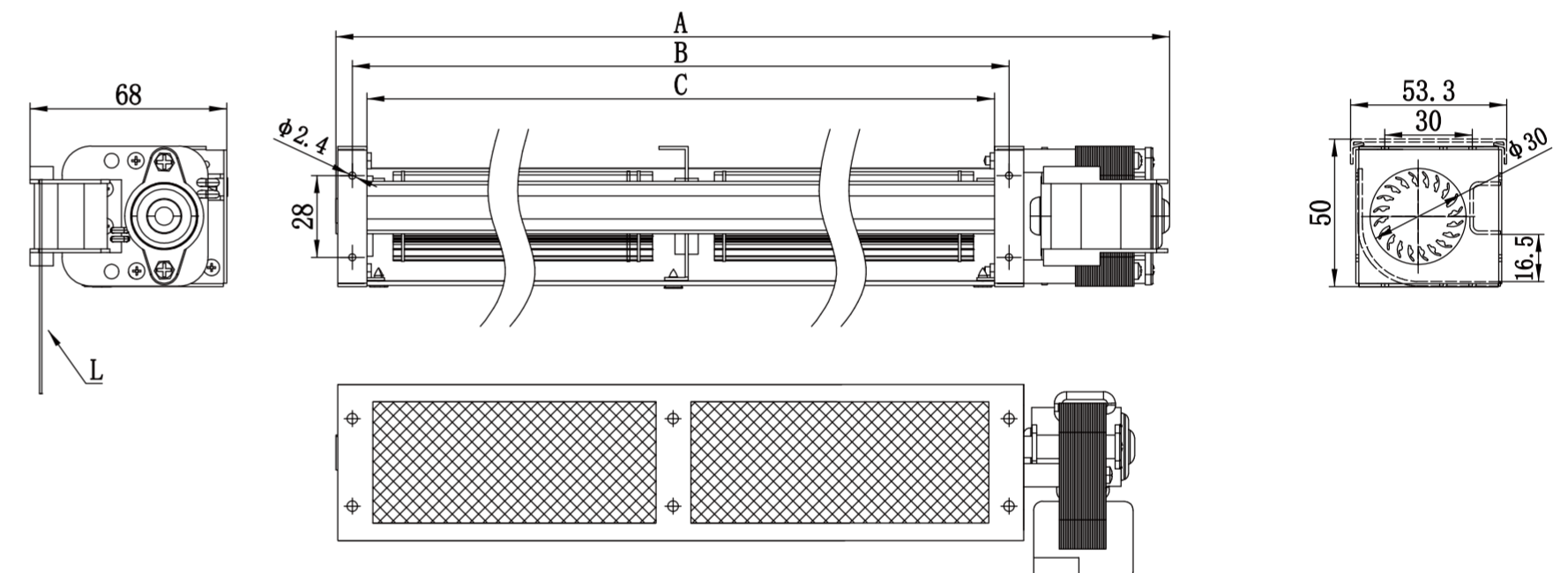
Technical Specifications

Model	A (mm)	B (mm)	C (mm)	Voltage (V)	Frequency (Hz)	Power (W)	Speed (RPM)	Pressure (Pa)	Air Flow (m³/h)	Noise [dB(A)]	Blower
LWCA-3090UN-06	158	108	98	115	60	8	2400	8	23	25	Single
LWCA-3090SN-07	158	108	98	230	50	8	2400	8	23	25	Single
LWCA-30150UN-06	222	170	160	115	60	9	2400	9	38	25	Single
LWCA-30150SN-07	222	170	160	230	50	10	2400	9	38	25	Single
LWCA-30190UN-06	256	208	198	115	60	9	2400	10	47	26	Single
LWCA-30190SN-07	256	208	198	230	50	11	2400	10	47	26	Single
LWCA-30250UN-06	308	258	248	115	60	11	2400	11	59	26	Single
LWCA-30250SN-07	308	258	248	230	50	10	2400	11	59	26	Single
LWCA-30290UN-06	365	310	300	115	60	12	2400	12	71	27	Single
LWCA-30290SN-07	365	310	300	230	50	11	2400	12	71	27	Single
LWCA-30350UN-06	411	362	352	115	60	13	2400	13	84	27	Single
LWCA-30350SN-07	411	362	352	230	50	11	2400	13	84	27	Single
LWCA-30420UN-06	479	430	420	115	60	13	2400	14	100	28	Single
LWCA-30420SN-07	479	430	420	230	50	11	2400	14	100	28	Single

LWCA-30 Series

Product Characteristic

- Motor Type : AC Shaded Pole Motor
- Housing Material : Galvanized Sheet Steel
- Blade Material : Aluminum Alloy
- Insulation Class : B/F/H
- Bearing Type: Ball bearing
- Operation Temperature : -25 °C ~ +60 °C



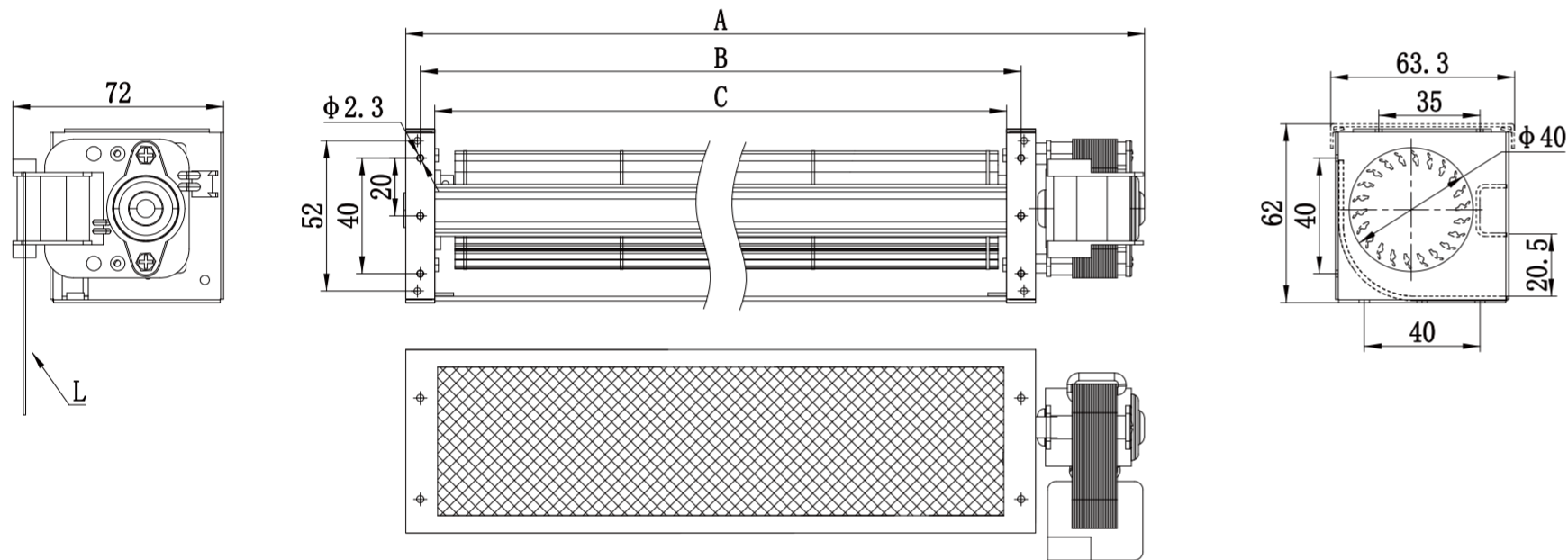
Technical Specifications

Model	A (mm)	B (mm)	C (mm)	Voltage (V)	Frequency (Hz)	Power (W)	Speed (RPM)	Pressure (Pa)	Air Flow (m³/h)	Noise [dB(A)]	Blower
LWCA-30530SN-06	590	540	530	230	50	13	2200	13	137	29	Double
LWCA-30610SN-06	670	620	610	230	50	13	2200	13	158	29	Double
LWCA-30650SN-06	710	660	650	230	50	14	2200	14	168	29	Double
LWCA-30718SN-06	778	728	718	230	50	15	2200	14	185	30	Double
LWCA-30800SN-06	860	810	800	230	50	15	2200	15	207	31	Triple
LWCA-30854SN-06	914	864	854	230	50	15	2200	16	221	31	Triple
LWCA-30920SN-06	980	930	920	230	50	16	2200	16	238	32	Triple
LWCA-30986SN-06	1056	996	986	230	50	16	2200	17	255	33	Triple

LWCA-40 Series

Product Characteristic

- Motor Type : AC Shaded Pole Motor
- Housing Material : Galvanized Sheet Steel
- Blade Material : Aluminum Alloy
- Insulation Class : B/F/H
- Bearing Type: Ball bearing
- Operation Temperature : -25 °C ~ +60 °C



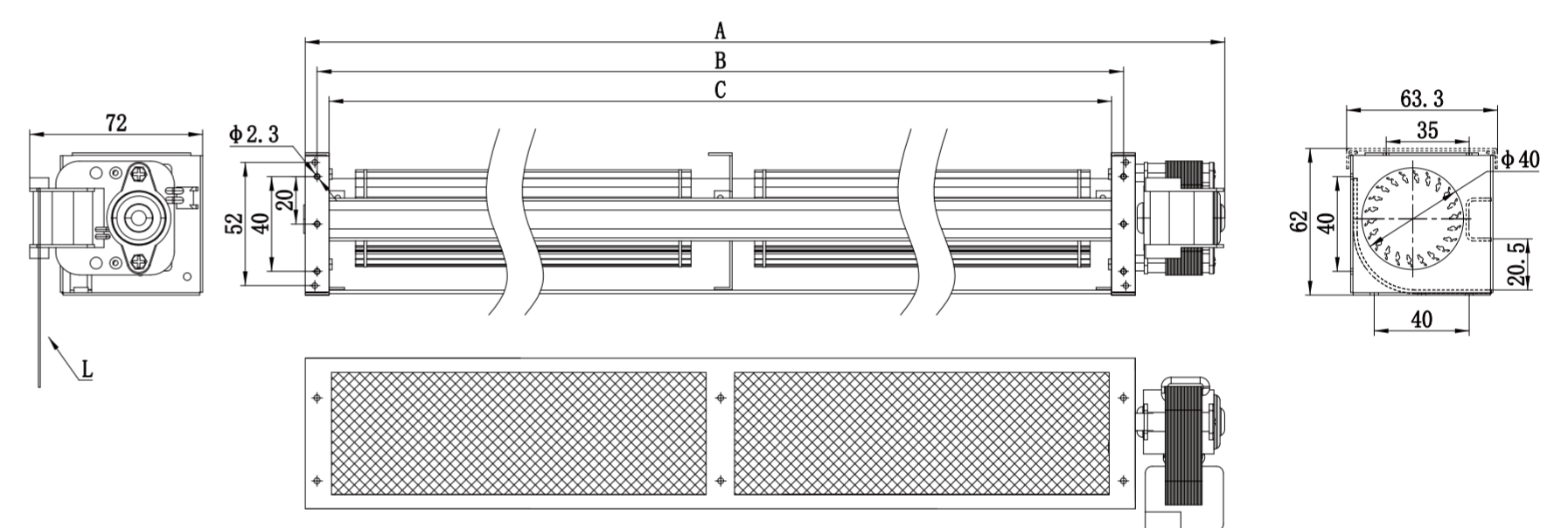
Technical Specifications

Model	A (mm)	B (mm)	C (mm)	Voltage (V)	Frequency (Hz)	Power (W)	Speed (RPM)	Pressure (Pa)	Air Flow (m³/h)	Noise [dB(A)]	Blower
LWCA-4090UN-06	158	108	98	115	60	9	2400	15	30	29	Single
LWCA-4090SN-07	158	108	98	230	50	10	2400	15	30	29	Single
LWCA-40150UN-06	218	170	160	115	60	10	2400	16	50	29	Single
LWCA-40150SN-07	218	170	160	230	50	11	2400	16	50	29	Single
LWCA-40190UN-06	265	208	198	115	60	11	2400	18	61	30	Single
LWCA-40190SN-07	265	208	198	230	50	12	2400	18	61	30	Single
LWCA-40250UN-06	316	260	250	115	60	12	2400	19	77	30	Single
LWCA-40250SN-07	316	260	250	230	50	12	2400	19	77	30	Single
LWCA-40290UN-06	370	310	300	115	60	13	2400	20	93	30	Single
LWCA-40290SN-07	370	310	300	230	50	12	2400	20	93	30	Single
LWCA-40350UN-06	417	358	348	115	60	16	2400	21	108	31	Single
LWCA-40350SN-07	417	358	348	230	50	13	2400	21	108	31	Single
LWCA-40420UN-06	491	430	420	115	60	17	2400	22	130	32	Single
LWCA-40420SN-07	491	430	420	230	50	14	2400	22	130	32	Single

LWCA-40 Series

Product Characteristic

- Motor Type : AC Shaded Pole Motor
- Housing Material : Galvanized Sheet Steel
- Blade Material : Aluminum Alloy
- Insulation Class : B/F/H
- Bearing Type: Ball bearing
- Operation Temperature : -25 °C ~ +60 °C



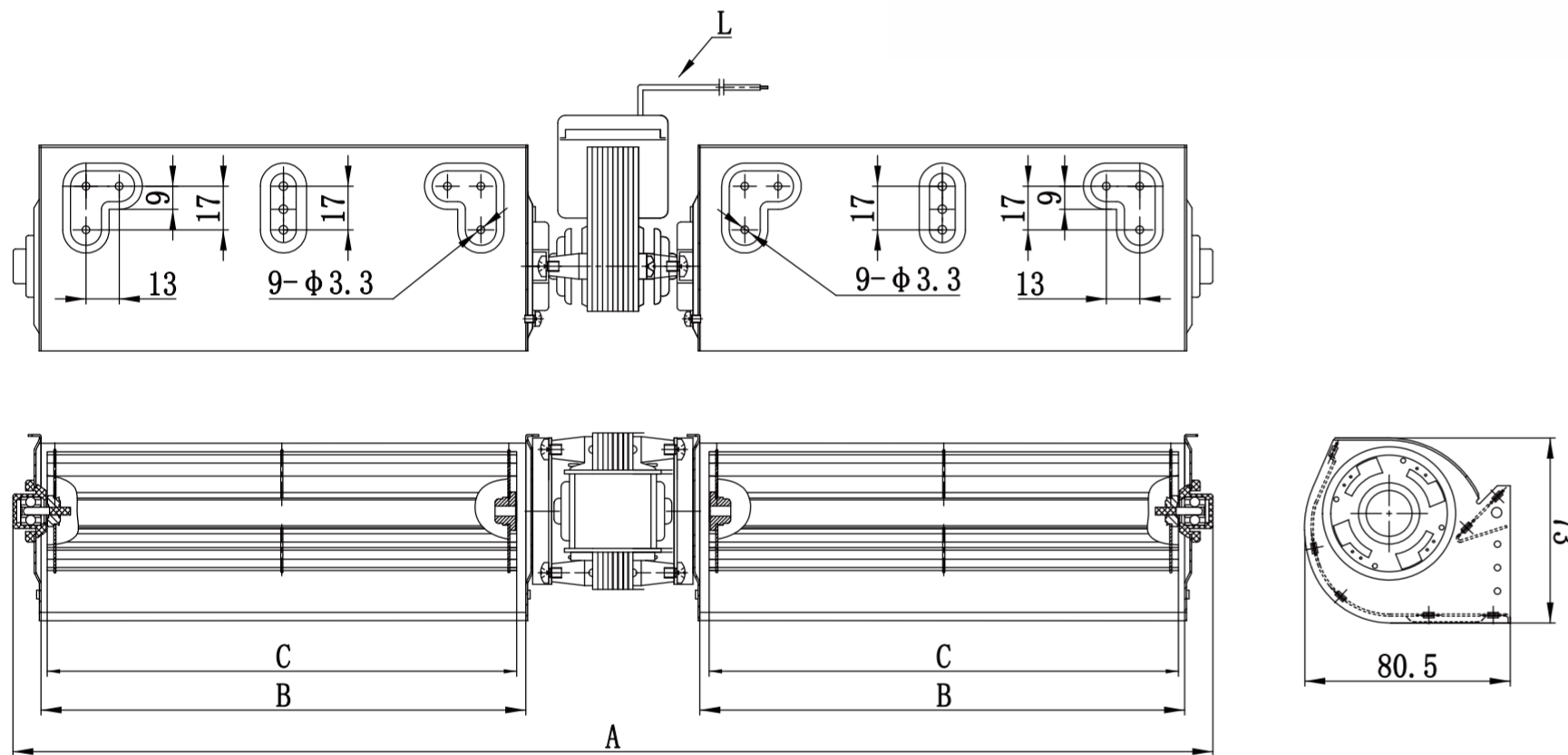
Technical Specifications

Model	A (mm)	B (mm)	C (mm)	Voltage (V)	Frequency (Hz)	Power (W)	Speed (RPM)	Pressure (Pa)	Air Flow (m³/h)	Noise [dB(A)]	Blower
LWCA-40530SN-06	600	540	530	230	50	17	2200	23	156	34	Double
LWCA-40610SN-06	680	620	610	230	50	19	2200	23	180	35	Double
LWCA-40700SN-06	770	710	700	230	50	20	2200	23	207	37	Double
LWCA-40800SN-06	870	810	800	230	50	22	2200	24	236	37	Triple
LWCA-40854SN-06	924	864	854	230	50	23	2200	24	252	37	Triple
LWCA-40920SN-06	990	930	920	230	50	25	2200	24	272	38	Triple
LWCA-401055SN-06	1125	1065	1055	230	50	25	2200	25	311	38	Triple

LWCA-45 Series

Product Characteristic

- Motor Type : AC Shaded Pole Motor
- Housing Material : Galvanized Sheet Steel
- Blade Material : Aluminum Alloy
- Insulation Class : B/F/H
- Bearing Type: Ball bearing
- Operation Temperature : -25 °C ~ +60 °C



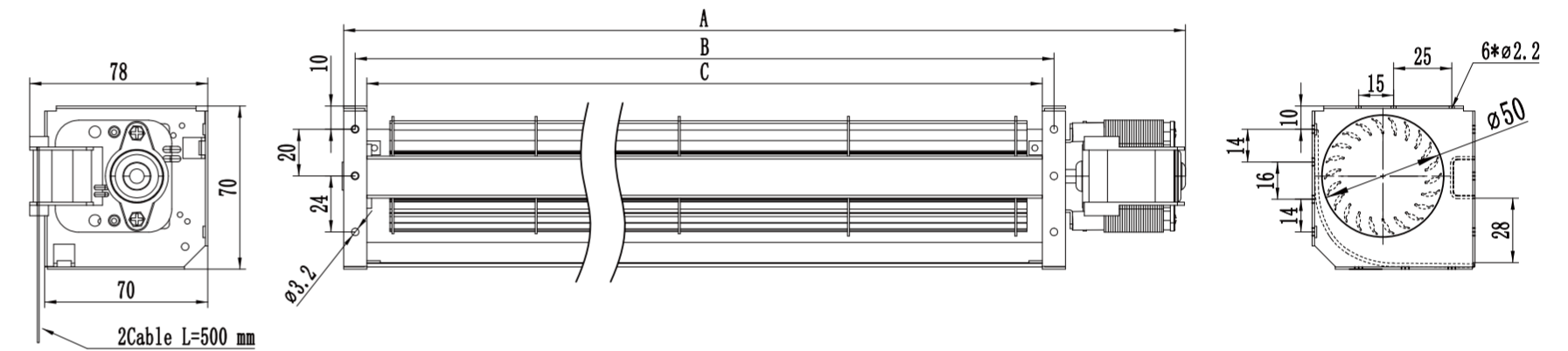
Technical Specifications

Model	A (mm)	B (mm)	C (mm)	Voltage (V)	Frequency (Hz)	Power (W)	Speed (RPM)	Pressure (Pa)	Air Flow (m³/h)	Noise [dB(A)]	Blower
LWCA-45120SN-07	348	126	120	230	50	28	1600	26	123	39	Double
LWCA-45180SN-07	468	640	180	230	50	30	1600	26	184	39	Double
LWCA-45240SN-07	588	710	240	230	50	33	1600	27	246	40	Double
LWCA-45300SN-07	708	760	300	230	50	36	1600	27	307	41	Double

LWCA-50 Series

Product Characteristic

- Motor Type : AC Shaded Pole Motor
- Housing Material : Galvanized Sheet Steel
- Blade Material : Aluminum Alloy
- Insulation Class : B/F/H
- Bearing Type: Ball bearing
- Operation Temperature : -25 °C ~ +60 °C



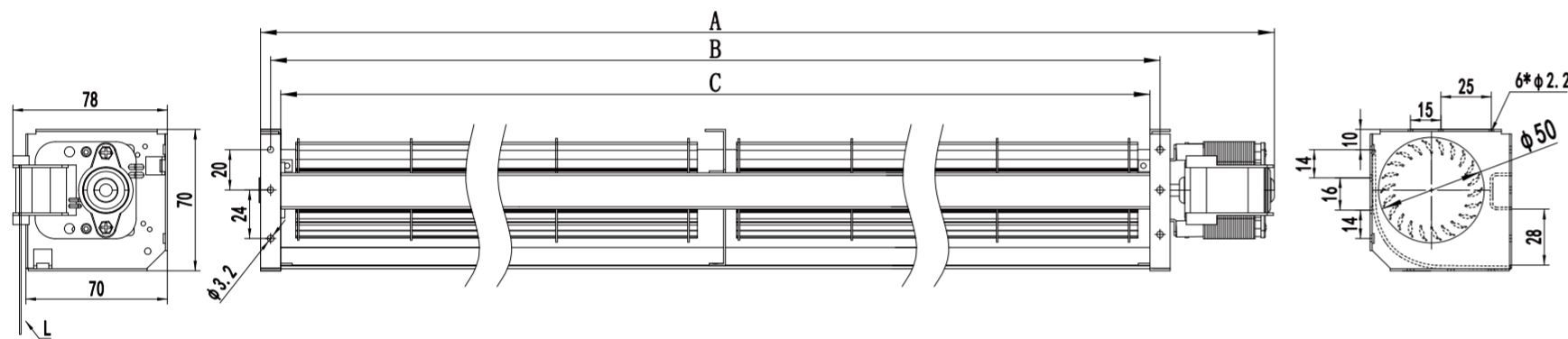
Technical Specifications

Model	A (mm)	B (mm)	C (mm)	Voltage (V)	Frequency (Hz)	Power (W)	Speed (RPM)	Pressure (Pa)	Air Flow (m³/h)	Noise [dB(A)]	Blower
LWCA-5090UN-06	163	108	98	115	60	10	2000	25	56	37	Single
LWCA-5090SN-07	163	108	98	230	50	10	2000	25	56	37	Single
LWCA-50150UN-06	223	168	158	115	60	12	2000	27	91	37	Single
LWCA-50150SN-07	223	168	158	230	50	11	2000	27	91	37	Single
LWCA-50190UN-06	263	208	198	115	60	13	2000	30	114	38	Single
LWCA-50190SN-07	263	208	198	230	50	11	2000	30	114	38	Single
LWCA-50250UN-06	318	260	250	115	60	14	2000	32	144	39	Single
LWCA-50250SN-07	318	260	250	230	50	12	2000	32	144	39	Single
LWCA-50290UN-07	368	300	290	115	60	16	2000	33	167	40	Single
LWCA-50290SN-07	368	300	290	230	50	15	2000	33	167	40	Single
LWCA-50350UN-06	428	368	358	115	60	19	2000	35	206	41	Single
LWCA-50350SN-07	428	368	418	230	50	17	2000	35	206	41	Single
LWCA-50420UN-06	488	428	418	115	60	20	2000	36	240	42	Single
LWCA-50420SN-07	488	428	418	230	50	18	2000	36	240	42	Single

LWCA-50 Series

Product Characteristic

- Motor Type : AC Shaded Pole Motor
- Housing Material : Galvanized Sheet Steel
- Blade Material : Aluminum Alloy
- Insulation Class : B/F/H
- Bearing Type: Ball bearing
- Operation Temperature : -25 °C ~ +60 °C



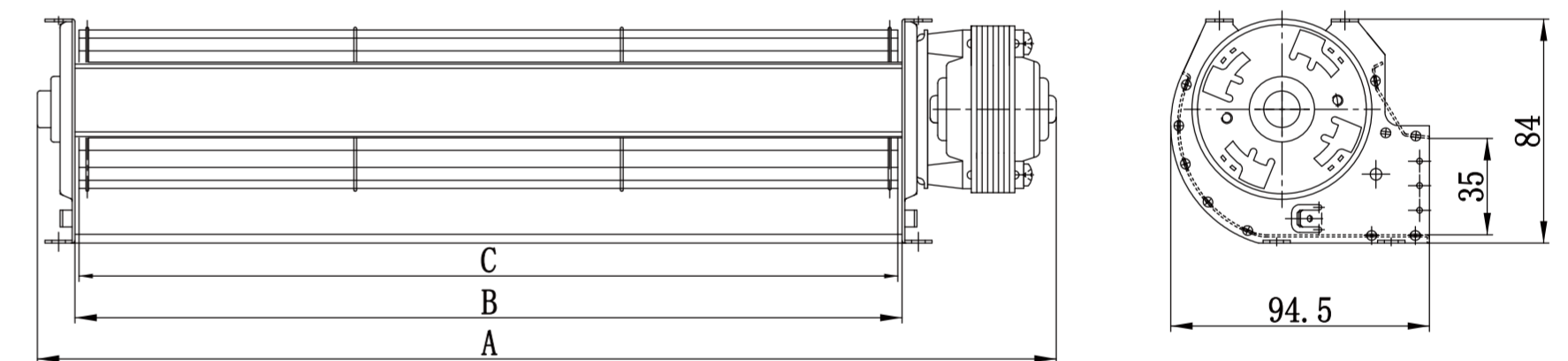
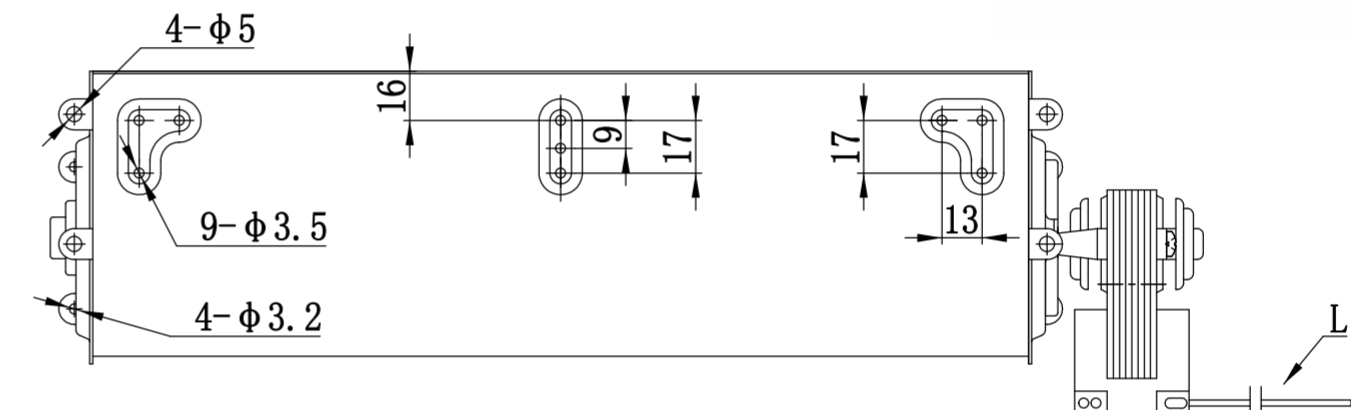
Technical Specifications

Model	A (mm)	B (mm)	C (mm)	Voltage (V)	Frequency (Hz)	Power (W)	Speed (RPM)	Pressure (Pa)	Air Flow (m³/h)	Noise [dB(A)]	Blower
LWCA-50530SN-06	605	540	530	230	50	25	1800	34	288	42	Double
LWCA-50610SN-07	685	620	610	230	50	26	1800	35	332	42	Double
LWCA-50700SN-06	775	710	700	230	50	27	1800	36	381	43	Double
LWCA-50800SN-07	875	810	800	230	50	30	1800	38	427	43	Triple
LWCA-50854SN-06	929	864	854	230	50	31	1800	39	456	43	Triple
LWCA-50920SN-07	995	930	920	230	50	33	1800	40	492	44	Triple
LWCA-501055SN-06	1130	1065	1055	230	50	35	1800	42	564	44	Triple

LWCA-60 Series

Product Characteristic

- Motor Type : AC Shaded Pole Motor
- Housing Material : Galvanized Sheet Steel
- Blade Material : Aluminum Alloy
- Insulation Class : B/F/H
- Bearing Type: Ball bearing
- Operation Temperature : -25 °C ~ +60 °C



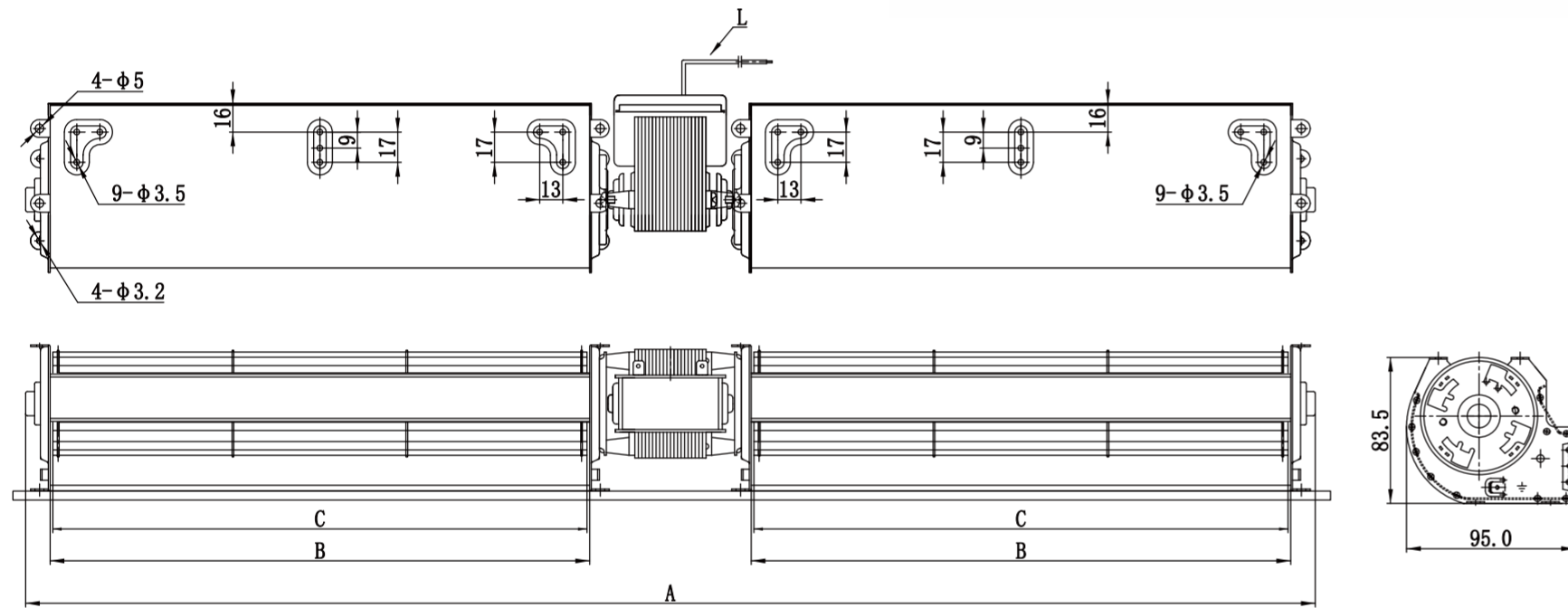
Technical Specifications

Model	A (mm)	B (mm)	C (mm)	Voltage (V)	Frequency (Hz)	Power (W)	Speed (RPM)	Pressure (Pa)	Air Flow (m³/h)	Noise [dB(A)]	Blower
LWCA-60120SN-06	194	123	120	230	50	15	1700	57	113	44	Single
LWCA-60180SN-06	254	183	180	230	50	20	1700	58	170	46	Single
LWCA-60240SN-06	314	243	240	230	50	25	1700	59	227	46	Single
LWCA-60300SN-06	374	303	300	230	50	30	1700	61	284	47	Single
LWCA-60360SN-06	434	363	360	230	50	33	1700	62	340	48	Single
LWCA-60420SN-06	494	423	420	230	50	36	1700	63	397	49	Single
LWCA-60480SN-06	554	483	480	230	50	40	1700	64	454	50	Single

LWCA-60 Series

Product Characteristic

- Motor Type : AC Shaded Pole Motor
- Housing Material : Galvanized Sheet Steel
- Blade Material : Aluminum Alloy
- Insulation Class : B/F/H
- Bearing Type: Ball bearing
- Operation Temperature : -25 °C ~ +60 °C



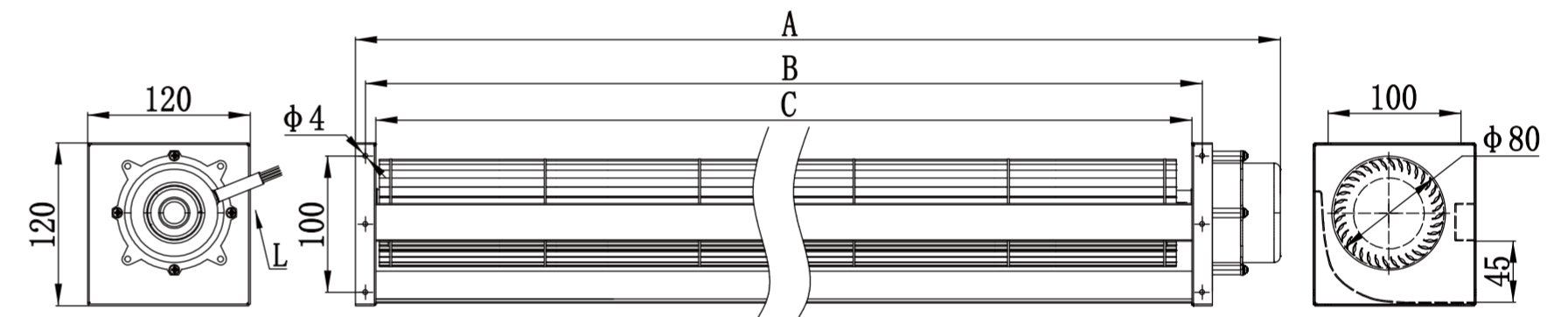
Technical Specifications

Model	A (mm)	B (mm)	C (mm)	Voltage (V)	Frequency (Hz)	Power (W)	Speed (RPM)	Pressure (Pa)	Air Flow (m³/h)	Noise [dB(A)]	Blower
LWCA-60120SN-07	365	123	120	230	50	28	1700	63	212	47	Double
LWCA-60180SN-07	485	183	180	230	50	31	1700	64	318	48	Double
LWCA-60240SN-07	605	243	240	230	50	37	1700	66	423	49	Double
LWCA-60300SN-07	725	303	300	230	50	43	1700	60	529	50	Double

LWCA-80 Series

Product Characteristic

- Motor Type : AC Shaded Pole Motor
- Housing Material : Galvanized Sheet Steel
- Blade Material : Aluminum Alloy
- Insulation Class : B/F/H
- Bearing Type: Ball bearing
- Operation Temperature : -25 °C ~ +60 °C



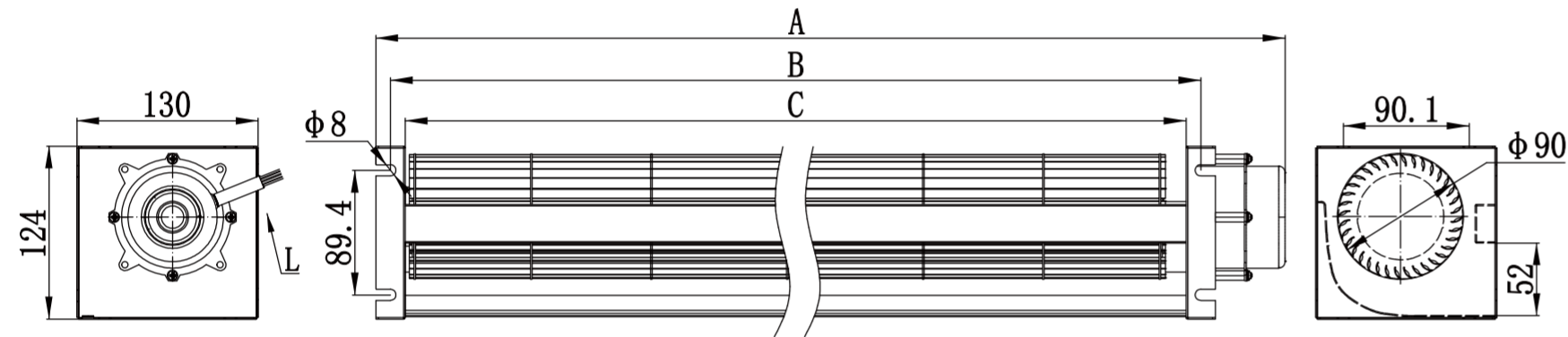
Technical Specifications

Model	A (mm)	B (mm)	C (mm)	Voltage (V)	Frequency (Hz)	Power (W)	Speed (RPM)	Pressure (Pa)	Air Flow (m³/h)	Noise [dB(A)]	Blower
LWCA-80350SN-06	446	365	350	230	50	28	1350	69	360	51	Single
LWCA-80520SN-06	616	535	520	230	50	32	1350	71	580	53	Single
LWCA-80620SN-06	716	635	620	230	50	35	1350	73	700	54	Single
LWCA-80720SN-06	816	735	720	230	50	38	1350	77	780	55	Single
LWCA-80820SN-06	916	835	820	230	50	40	1350	81	880	56	Single

LWCA-90 Series

Product Characteristic

- Motor Type : AC Shaded Pole Motor
- Housing Material : Galvanized Sheet Steel
- Blade Material : Aluminum Alloy
- Insulation Class : B/F/H
- Bearing Type: Ball bearing
- Operation Temperature : -25 °C ~ +60 °C



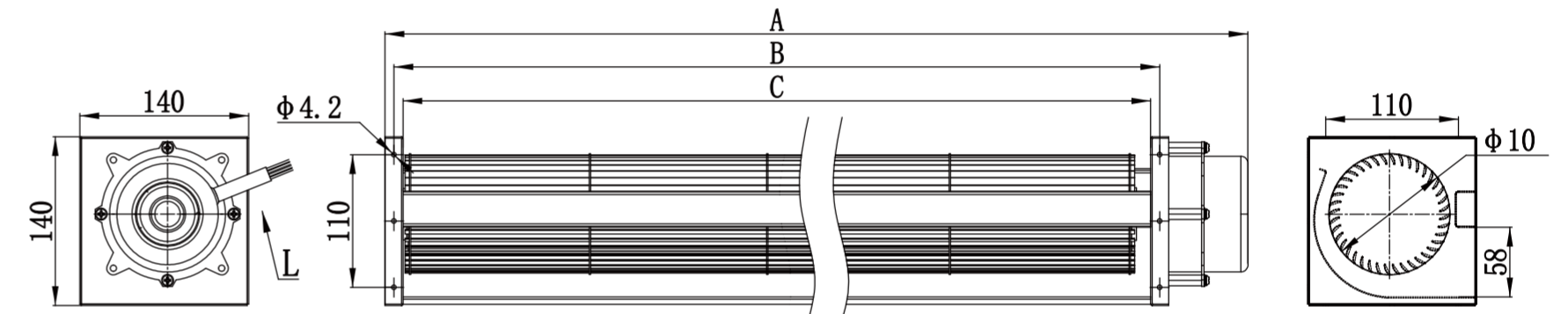
Technical Specifications

Model	A (mm)	B (mm)	C (mm)	Voltage (V)	Frequency (Hz)	Power (W)	Speed (RPM)	Pressure (Pa)	Air Flow (m³/h)	Noise [dB(A)]	Blower
LWCA-90360SN-06	462	381	360	230	50	33	1350	72	550	53	Single
LWCA-90520SN-06	627	546	520	230	50	55	1350	74	770	54	Single
LWCA-90680SN-06	782	701	680	230	50	72	1350	76	1000	55	Single
LWCA-90800SN-06	902	821	800	230	50	83	1350	77	1150	58	Single
LWCA-90920SN-06	1032	951	930	230	50	93	1350	82	1300	59	Single

LWCA-100 Series

Product Characteristic

- Motor Type : AC Shaded Pole Motor
- Housing Material : Galvanized Sheet Steel
- Blade Material : Aluminum Alloy
- Insulation Class : B/F/H
- Bearing Type: Ball bearing
- Operation Temperature : -25 °C ~ +60 °C



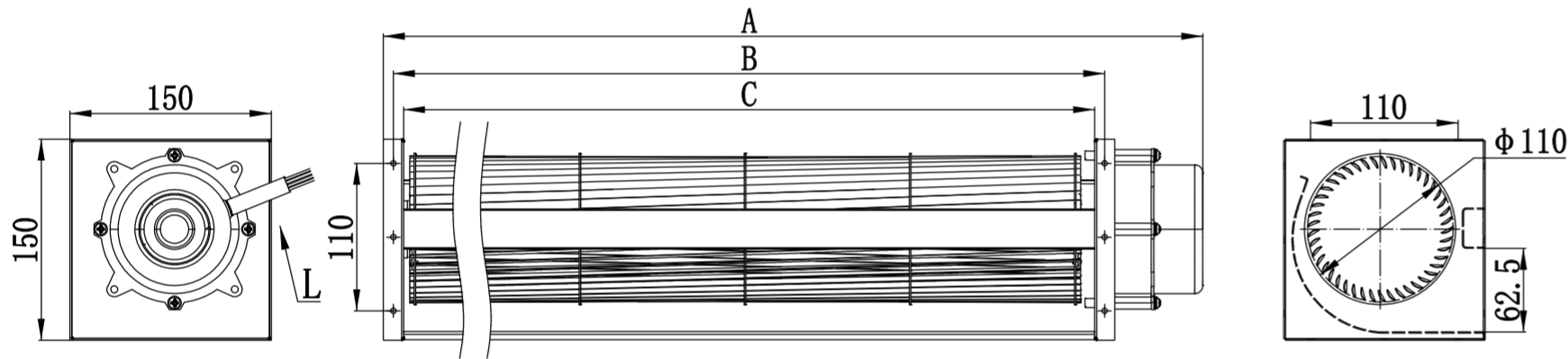
Technical Specifications

Model	A (mm)	B (mm)	C (mm)	Voltage (V)	Frequency (Hz)	Power (W)	Speed (RPM)	Pressure (Pa)	Air Flow (m³/h)	Noise [dB(A)]	Blower
LWCA-100380SN-06	476	395	380	230	50	60	1400	81	700	55	Single
LWCA-100520SN-06	616	535	520	230	50	75	1400	83	950	58	Single
LWCA-100620SN-06	716	635	620	230	50	90	1400	85	1100	59	Single
LWCA-100720SN-06	816	735	720	230	50	100	1400	86	1300	60	Single
LWCA-100820SN-06	916	835	820	230	50	110	1400	89	1500	61	Single

LWCA-110 Series

Product Characteristic

- Motor Type : AC Shaded Pole Motor
- Housing Material : Galvanized Sheet Steel
- Blade Material : Aluminum Alloy
- Insulation Class : B/F/H
- Bearing Type: Ball bearing
- Operation Temperature : -25 °C ~ +60 °C



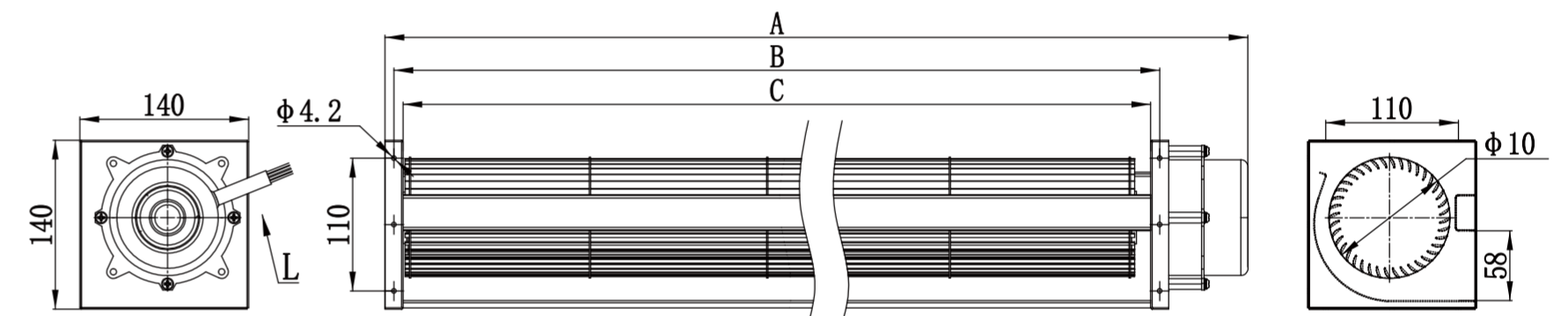
Technical Specifications

Model	A (mm)	B (mm)	C (mm)	Voltage (V)	Frequency (Hz)	Power (W)	Speed (RPM)	Pressure (Pa)	Air Flow (m³/h)	Noise [dB(A)]	Blower
LWCA-110380SN-06	476	395	380	230	50	90	1250	89	900	61	Single
LWCA-110520SN-06	616	535	520	230	50	95	1250	92	1200	63	Single
LWCA-110620SN-06	716	635	620	230	50	100	1250	94	1350	66	Single
LYCA-110720SN-06	816	735	720	230	50	105	1250	96	1550	67	Single
LWCA-110820SN-06	916	835	820	230	50	115	1250	98	1750	68	Single

LWCA-120 Series

Product Characteristic

- Motor Type : AC Shaded Pole Motor
- Housing Material : Galvanized Sheet Steel
- Blade Material : Aluminum Alloy
- Insulation Class : B/F/H
- Bearing Type: Ball bearing
- Operation Temperature : -25 °C ~ +60 °C



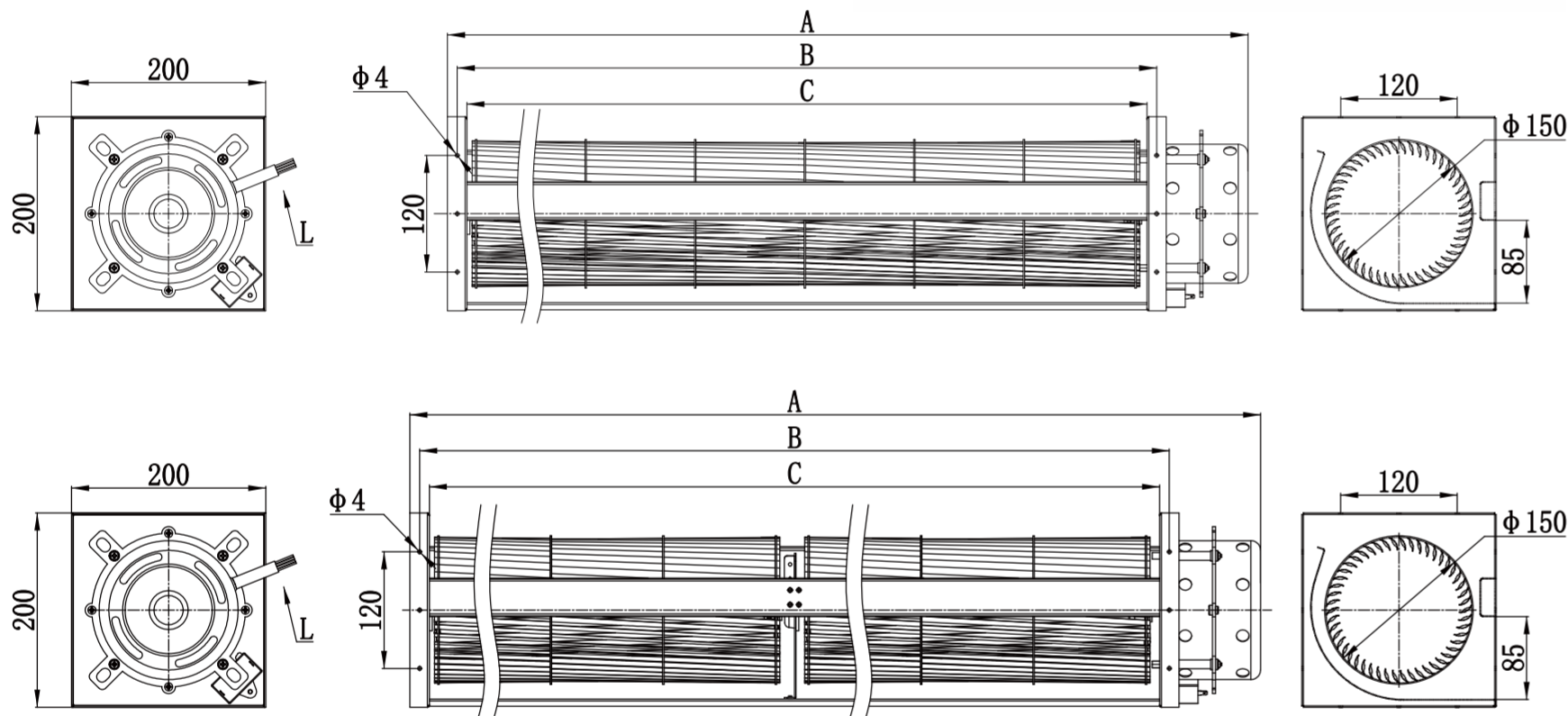
Technical Specifications

Model	A (mm)	B (mm)	C (mm)	Voltage (V)	Frequency (Hz)	Power (W)	Speed (RPM)	Pressure (Pa)	Air Flow (m³/h)	Noise [dB(A)]	Blower
LWCA-120380SN-06	504	400	380	230	50	109	1350	93	1000	63	Single
LWCA-120560SN-06	684	580	560	230	50	120	1350	95	1380	65	Single
LWCA-120680SN-06	804	700	680	230	50	135	1350	98	1560	67	Single
LWCA-120780SN-06	904	800	780	230	50	150	1350	102	1780	71	Single
LWCA-120900SN-06	1024	920	900	230	50	170	1350	105	2000	72	Single

LWCA-150 Series

Product Characteristic

- Motor Type : AC Shaded Pole Motor
- Housing Material : Galvanized Sheet Steel
- Blade Material : Aluminum Alloy
- Insulation Class : B/F/H
- Bearing Type: Ball bearing
- Operation Temperature : -25 °C ~ +60 °C



Technical Specifications

Model	A (mm)	B (mm)	C (mm)	Voltage (V)	Frequency (Hz)	Power (W)	Speed (RPM)	Pressure (Pa)	Air Flow (m³/h)	Noise [dB(A)]	Blower
LWCA-150380SN-06	504	400	380	230	50	170	1000	105	1200	69	Single
LWCA-150500SN-06	624	520	500	230	50	190	1000	108	1800	70	Single
LWCA-150700SN-06	824	720	700	230	50	180	800	110	2500	71	Single
LWCA-1501000SN-06	1124	1020	1000	230	50	195	800	114	3000	72	Double
LWCA-1501200SN-06	1324	1220	1200	230	50	210	800	114	4000	75	Double

EC Cross Flow Fan

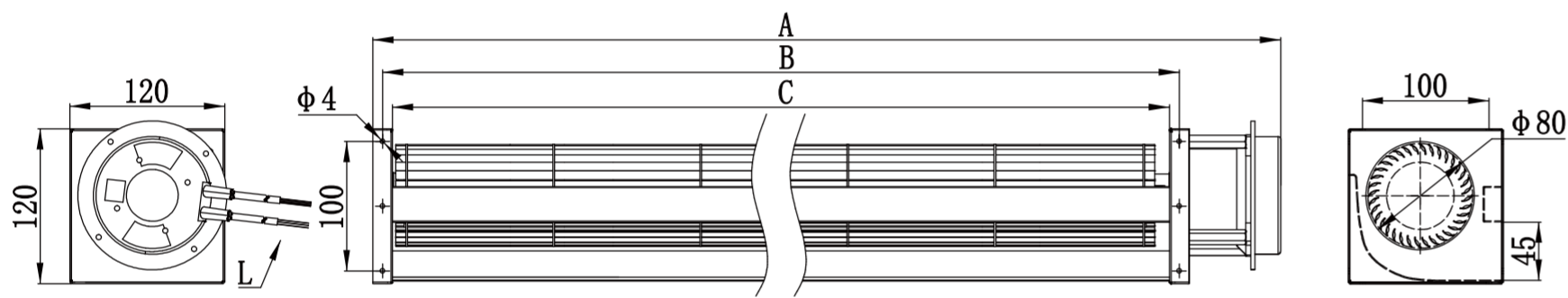
Professional HVAC Fan & Motors Manufacturer



LWCE-80 Series

Product Characteristic

- Motor Type : EC External Rotor Motor
- Housing Material : Steel+Aluminum Alloy
- Blade Material : Aluminum Alloy
- Insulation Class : B
- Bearing Type: Ball bearing
- Operation Temperature : -25 °C ~ +60 °C



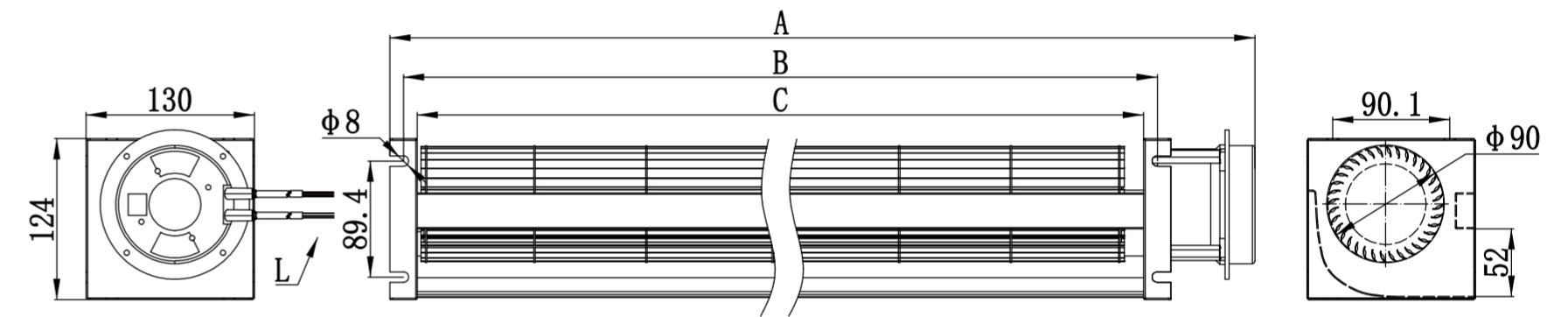
Technical Specifications

Model	A (mm)	B (mm)	C (mm)	Voltage (V)	Frequency (Hz)	Power (W)	Speed (RPM)	Pressure (Pa)	Air Flow (m³/h)	Noise [dB(A)]	Blower
LWCE-80350SN-06	473	365	350	230	50/60	16	1500	70	450	51	Single
LWCE-80520SN-06	643	535	520	230	50/60	23	1500	72	650	53	Single
LWCE-80620SN-06	743	635	620	230	50/60	31	1500	74	800	54	Single
LWCE-80720SN-06	843	735	720	230	50/60	39	1500	78	980	55	Single
LWCE-80820SN-06	943	835	820	230	50/60	52	1500	82	1200	56	Single

LWCE-90 Series

Product Characteristic

- Motor Type : EC External Rotor Motor
- Housing Material : Steel+Aluminum Alloy
- Blade Material : Aluminum Alloy
- Insulation Class : B
- Bearing Type: Ball bearing
- Operation Temperature : -25 °C ~ +60 °C



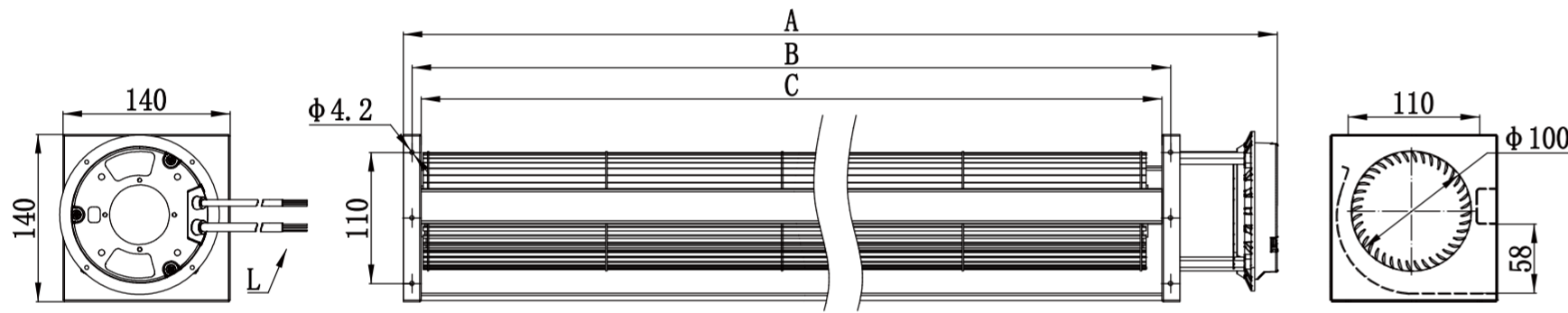
Technical Specifications

Model	A (mm)	B (mm)	C (mm)	Voltage (V)	Frequency (Hz)	Power (W)	Speed (RPM)	Pressure (Pa)	Air Flow (m³/h)	Noise [dB(A)]	Blower
LWCE-90360SN-06	489	381	360	230	50/60	27	1500	74	640	53	Single
LWCE-90520SN-06	654	546	520	230	50/60	40	1500	76	850	54	Single
LWCE-90680SN-06	809	701	680	230	50/60	60	1500	78	1200	55	Single
LWCE-90800SN-06	929	821	800	230	50/60	64	1500	79	1300	58	Single
LWCE-90930SN-06	1059	951	930	230	50/60	68.7	1500	84	1584	59	Single

LWCE-100 Series

Product Characteristic

- Motor Type : EC External Rotor Motor
- Housing Material : Steel+Aluminum Alloy
- Blade Material : Aluminum Alloy
- Insulation Class : B
- Bearing Type: Ball bearing
- Operation Temperature : -25 °C ~ +60 °C



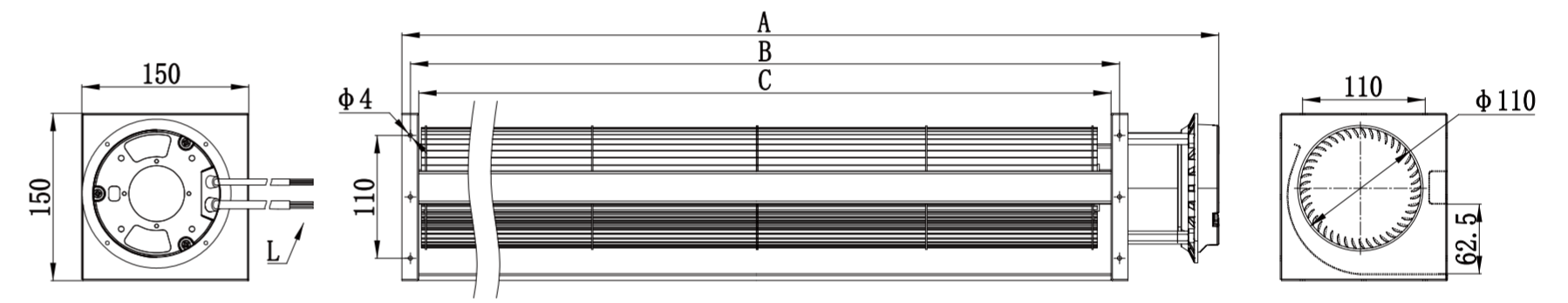
Technical Specifications

Model	A (mm)	B (mm)	C (mm)	Voltage (V)	Frequency (Hz)	Power (W)	Speed (RPM)	Pressure (Pa)	Air Flow (m³/h)	Noise [dB(A)]	Blower
LWCE-100380SN-06	503	395	380	230	50/60	32	1500	83	730	55	Single
LWCE-100520SN-06	643	535	520	230	50/60	55	1500	85	1000	58	Single
LWCE-100620SN-06	739	635	620	230	50/60	70	1500	87	1250	59	Single
LWCE-100720SN-06	839	735	720	230	50/60	75	1500	88	1530	60	Single
LWCE-100820SN-06	939	835	820	230	50/60	80	1500	91	1627	61	Single

LWCE-110 Series

Product Characteristic

- Motor Type : EC External Rotor Motor
- Housing Material : Steel+Aluminum Alloy
- Blade Material : Aluminum Alloy
- Insulation Class : B
- Bearing Type: Ball bearing
- Operation Temperature : -25 °C ~ +60 °C



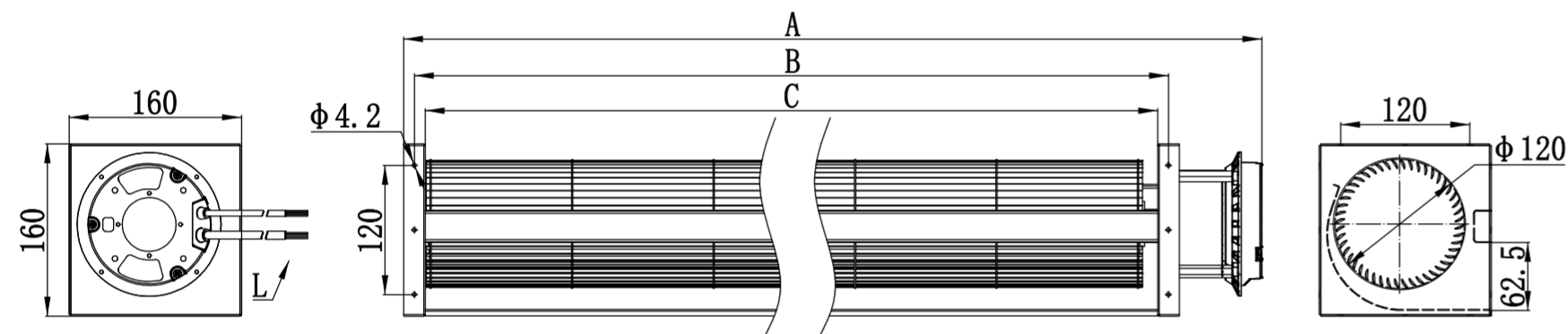
Technical Specifications

Model	A (mm)	B (mm)	C (mm)	Voltage (V)	Frequency (Hz)	Power (W)	Speed (RPM)	Pressure (Pa)	Air Flow (m³/h)	Noise [dB(A)]	Blower
LWCE-110380SN-06	499	395	380	230	50/60	70	1200	88	881	61	Single
LWCE-110520SN-06	639	535	520	230	50/60	100	1200	91	1205	63	Single
LWCE-110620SN-06	739	635	620	230	50/60	120	1500	93	1437	66	Single
LWCE-110720SN-06	839	735	720	230	50/60	132	1500	95	1669	67	Single
LWCE-110820SN-06	975	835	820	230	50/60	146	1500	97	1845	68	Single

LWCE-120 Series

Product Characteristic

- Motor Type : EC External Rotor Motor
- Housing Material : Steel+Aluminum Alloy
- Blade Material : Aluminum Alloy
- Insulation Class : B
- Bearing Type: Ball bearing
- Operation Temperature : -25 °C ~ +60 °C



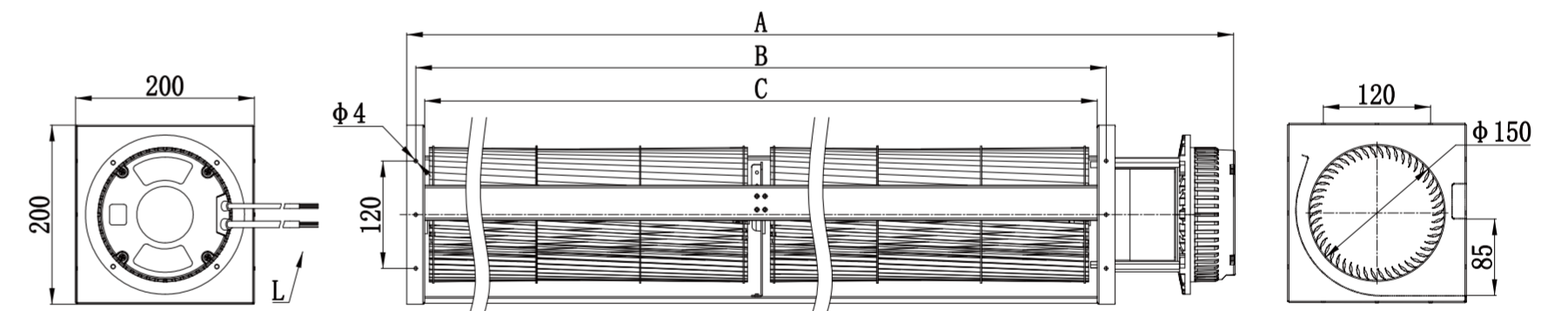
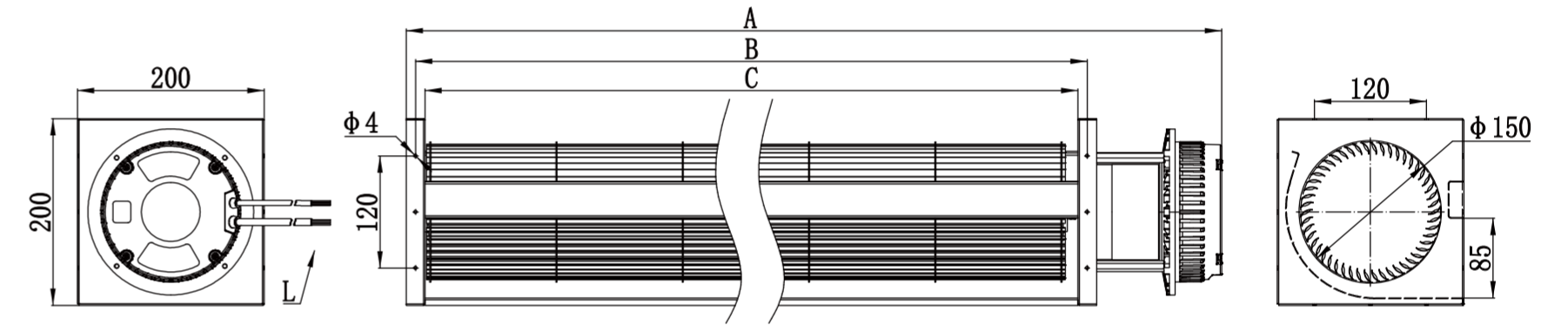
Technical Specifications

Model	A (mm)	B (mm)	C (mm)	Voltage (V)	Frequency (Hz)	Power (W)	Speed (RPM)	Pressure (Pa)	Air Flow (m³/h)	Noise [dB(A)]	Blower
LWCE-120380SN-06	504	400	380	230	50/60	53	1350	93	1000	63	Single
LWCE-120560SN-06	614	510	490	230	50/60	70	1350	96	1400	65	Single
LWCE-120680SN-06	684	580	560	230	50/60	80	1350	98	1600	67	Single
LWCE-120780SN-06	804	700	680	230	50/60	92	1350	101	1800	71	Single
LWCE-120900SN-06	940	800	780	230	50/60	105	1350	105	2000	72	Single

LWCE-150 Series

Product Characteristic

- Motor Type : EC External Rotor Motor
- Housing Material : Steel+Aluminum Alloy
- Blade Material : Aluminum Alloy
- Insulation Class : B
- Bearing Type: Ball bearing
- Operation Temperature : -25 °C ~ +60 °C



Technical Specifications

Model	A (mm)	B (mm)	C (mm)	Voltage (V)	Frequency (Hz)	Power (W)	Speed (RPM)	Pressure (Pa)	Air Flow (m³/h)	Noise [dB(A)]	Blower
LWCE-150380SN-06	504	400	380	230	50/60	70	1100	105	1400	69	Single
LWCE-150500SN-06	624	520	500	230	50/60	145	1100	108	2050	70	Single
LWCE-150700SN-06	860	720	700	230	50/60	250	1000	110	2700	71	Single
LWCE-1501000SN-06	1160	1020	1000	230	50/60	350	800	114	3000	72	Double
LWCE-1501200SN-06	1360	1220	1200	230	50/60	450	800	115	4000	75	Double

Cross Flow Impeller

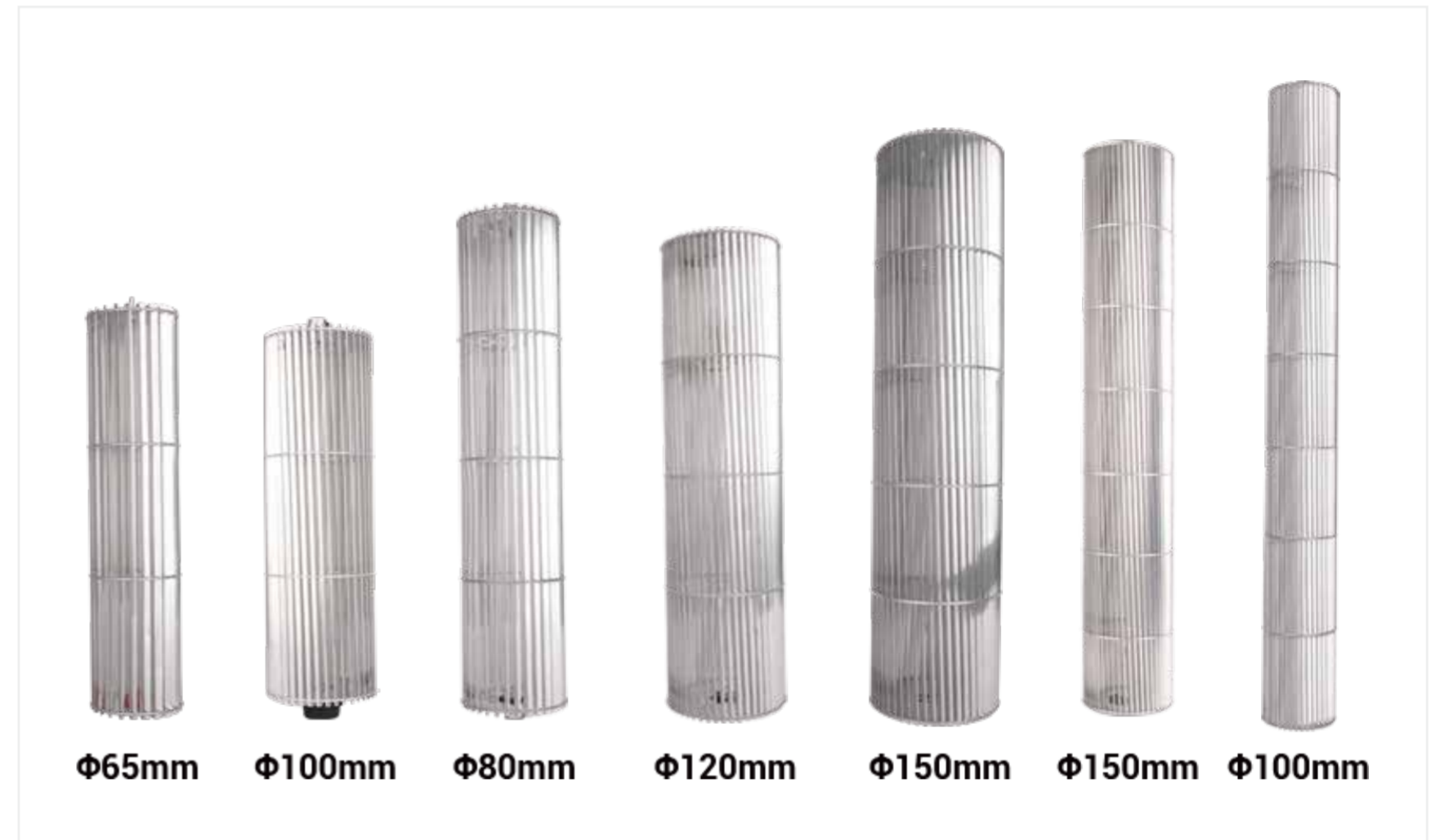
Professional HVAC Fan & Motors Manufacturer



Cross Flow Impeller

Product Characteristic

- Features: Low Noise; High Air-Quantity; Good Balance; Hightensile; Lightinweight;
- Used: Electrical Fireplace, Microwave, Dishwasher, Warmer, Air-Conditioner, Air Curtain, Air Door, Groud-heating, Air-condition, electron cooling, aeration cooling, Vehicle Air-condition, etc.



Technical Specifications

Wheel Dia	Wheel Length	Number Of Blade	Wheel Material
Φ 30	150,200,250,300,350	20	Aluminum Alloy Plate
Φ 43	135,150,180,200,240,300	20	
Φ 45	115,150,180,200,240,300	20	
Φ 52	141,...360	20	
Φ 60	120,180,240,300,360,420,480	22/24	
Φ 65	180,240,300,350,...480	22	
Φ 71	145,...600	25	
Φ 81	145,380,391,480,550,630,...800	30	
Φ 90	145,380,391,480,550,630,...800	35	
Φ 100	360,480,550,630,700,...1000	40	
Φ 110	360,480,550,635,700,...1000	45	
Φ 120	360,480,550,660,680,706,...1000	48	
Φ 150	360,480,515,580,660,680,810,880,...1050	50	