

Transformer Cooling Fan

Product Features And Uses

LWF series cross flow cooling fan for dry-type transformer (hereinafter referred to as dry transformer cooling fan) is mainly used for dry-type transformer The cooling capacity and cooling of electronic equipment, distribution cabinet, high and low voltage switch cabinet and other products. The output power of dry-type transformer can be increased by 40 ~ 50% by using this series of cooling fans, so that the dry-type transformer can be greatly improved. It is widely used by domestic and foreign manufacturers for its bearing capacity and extended service life the most cost-effective way.



Working Principle

When GF series cooling fan is used in dry-type transformer, the fan is placed on both sides of the lower part of transformer coil to cool down. The wind is directly blown into the high and low pressure cooling air ducts of the transformer coil, and the heat dissipation effect is obvious, which can ensure the transformer's normal operation and extended service life. (The functions of fan start-up and shutdown, overtemperature alarm and overtemperature trip of transformer are provided by temperature control device.)

Technical Specifications

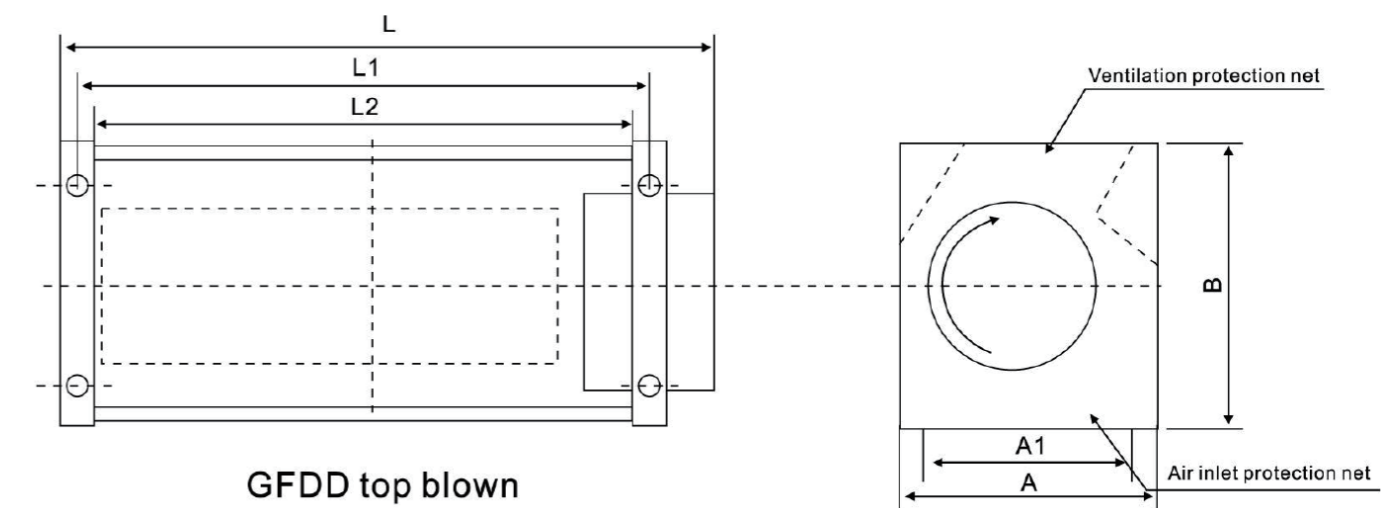
Model	Voltage (V)	Current (±0.1A)	Speed (R/Min)	Frequency (Hz)	Power (W)	Air volume (m/h)	Noise ≤(dBA)	Matching capacity(KVA)	Number of units per unit	Weight
LWF-(S)D490-90		0.35	1400	50	38	600	50	50~100	4	3.4
LWF-(S)D660-90		0.37	1400	50	40	800	52	100~120	4	3.8
LWF-(S)D760-90		0.37	1400	50	45	1000	52	30~50	2	5
LWF-(S)D860-90		0.37	1400	50	45	1100	52	315~500	6	3.6
LWF-(S)D1200-90		0.46	1400	50	65	1500	60	315~500	6	3.8
LWF-(S)D365-110/120		0.35	1400	50	38	650	48	125~315	4	3.9
LWF-(S)D440-110/120	220/400	0.35	1400	50	45	750	48	315~500	6	4
LWF-(S)D470-110/120		0.35	1400	50	45	800	48	315~500	4	4.2
LWF-(S)D490-110/120		0.35	1400	50	45	850	48	400~630	4	4.6
LWF-(S)D590-110/120		0.37	1400	50	50	1000	50	800~1000	4	5.3
LWF-(S)D690-110/120		0.4	1400	50	55	1300	50	1250~1600	4	5.8
LWF-(S)D760-110/120		0.4	1400	50	55	1400	52	2000~2500	4	7
LWF-(S)D860-110/120		0.4	1400	50	60	1500	52	630~800	6	6

Phase:Single/Three

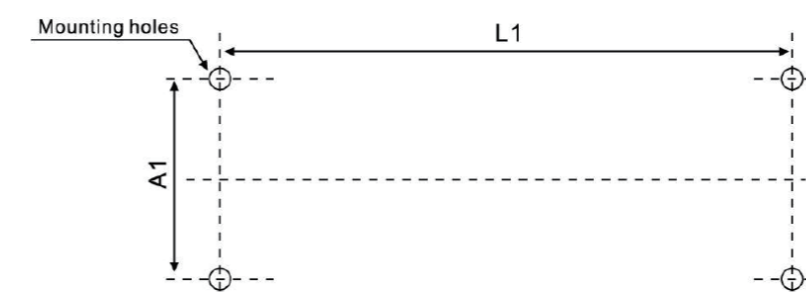
Model	Voltage (V)	Current (±0.1A)	Speed (R/Min)	Frequency (Hz)	Power (W)	Air volume (m/h)	Noise ≤(dBA)	Matching capacity(KVA)	Number of units per unit	Weight
LWF-(S)D920-110/120		0.4	1400	50	60	1600	52	630~800	6	5.8
LWF-(S)D1200-110/120		0.46	1400	50	70	2100	55	800~1600	6	6.5
LWF-(S)D1400-110/120		0.46	1400	50	70	2400	60	1600~2500	6	7.3
LWF-(S)D365-150/155	220/400	0.46	1400	50	65	1000	50	1600~2500	6	7.3
LWF-(S)D470-150/155		0.46	1400	50	85	1300	55	125~315	2	7
LWF-(S)D490-150/155		0.46	1400	50	85	1350	55	315~400	2	7.3
LWF-(S)D590-150/155		0.6	1400	50	90	1600	60	315~400	2	8
LWF-(S)D650-200		1.2	1400	50	350	3100	68	315~400	2	8.6

Phase:Single/Three

Dimensions Data-Top Belowing Fan Shape & Installation dimensions



GFDD top blown



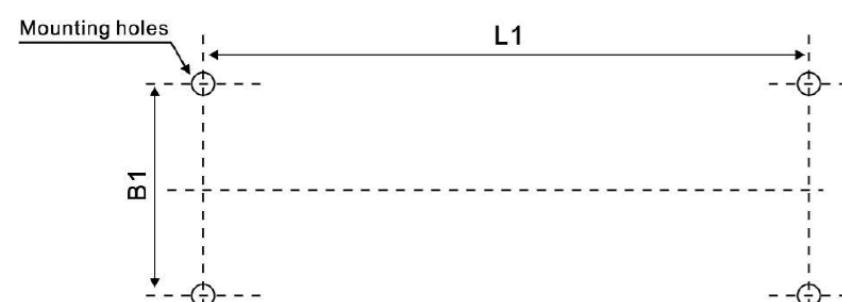
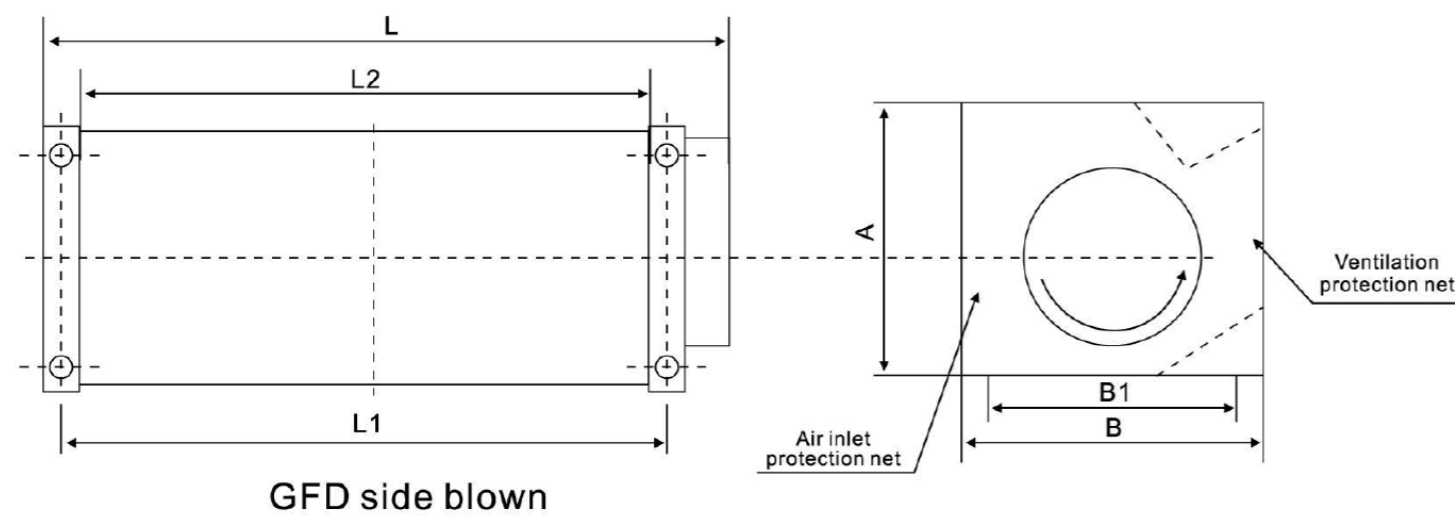
TYPE A

Model	B	A	A1	L	L1	L2
LWF-(S)D490-90	150	130	100	490	450	430
LWF-(S)D760-90	150	130	100	760	720	700
LWF-(S)D860-90	150	130	100	860	820	800
LWF-(S)D1200-90	150	130	100	1200	1160	1140
LWF-(S)D365-110/120	160	148	120	365	325	305
LWF-(S)D440-110/120	160	148	120	440	400	380

Model	B	A	A1	L	L1	L2
LWF-(S)D470-110/120	160	148	120	470	430	410
LWF-(S)D590-110/120	160	148	120	590	550	530
LWF-(S)D690-110/120	160	148	120	690	650	630
LWF-(S)D760-110/120	160	148	120	760	720	700
LWF-(S)D860-110/120	160	148	120	860	820	800
LWF-(S)D920-110/120	160	148	120	920	880	860
LWF-(S)D1200-110/120	160	148	120	1200	1160	1140
LWF-(S)D1400-110/120	160	148	120	1400	1360	1340
LWF-(S)D470-150/155	195	185	160	470	430	410
LWF-(S)D590-150/155	195	185	160	590	550	530
LWF-(S)D690-150/155	195	185	160	690	650	630
LWF-(S)D760-150/155	195	185	160	760	720	700
LWF-(S)D860-150/155	195	185	160	860	820	800
LWF-(S)D650-200	250	250	220	650	610	590
LWF-(S)D650-220	280	260	220	650	610	590

Model	B	A	B1	L	L1	L2
LWF-(S)D490-90	150	130	100	490	450	430
LWF-(S)D760-90	150	130	100	760	720	700
LWF-(S)D860-90	150	130	100	860	820	800
LWF-(S)D1200-90	150	130	100	1200	1160	1140
LWF-(S)D440-110/120	160	148	120	440	400	380
LWF-(S)D470-110/120	160	148	120	470	430	410
LWF-(S)D590-110/120	160	148	120	590	550	530
LWF-(S)D690-110/120	160	148	120	690	650	630
LWF-(S)D760-110/120	160	148	120	760	720	700
LWF-(S)D860-110/120	160	148	120	860	820	800
LWF-(S)D1200-110/120	160	148	120	1200	1160	1140
LWF-(S)D1400-110/120	160	148	120	1400	1360	1340
LWF-(S)D470-150	195	185	160	470	430	410
LWF-(S)D590-150	195	185	160	590	550	530
LWF-(S)D690-150	195	185	160	690	650	630
LWF-(S)D760-150	195	185	160	760	720	700
LWF-(S)D860-150	195	185	160	860	820	800
LWF-(S)D470-155N	235	200	200	470	430	410
LWF-(S)D590-155N	200	235	200	590	550	530
LWF-(S)D650-200	250	250	220	650	610	590
LWF-(S)D650-220	280	260	220	650	610	590

Dimensions Data -- Side Blowing Fan Shape & Installation dimensions



TYPE B