

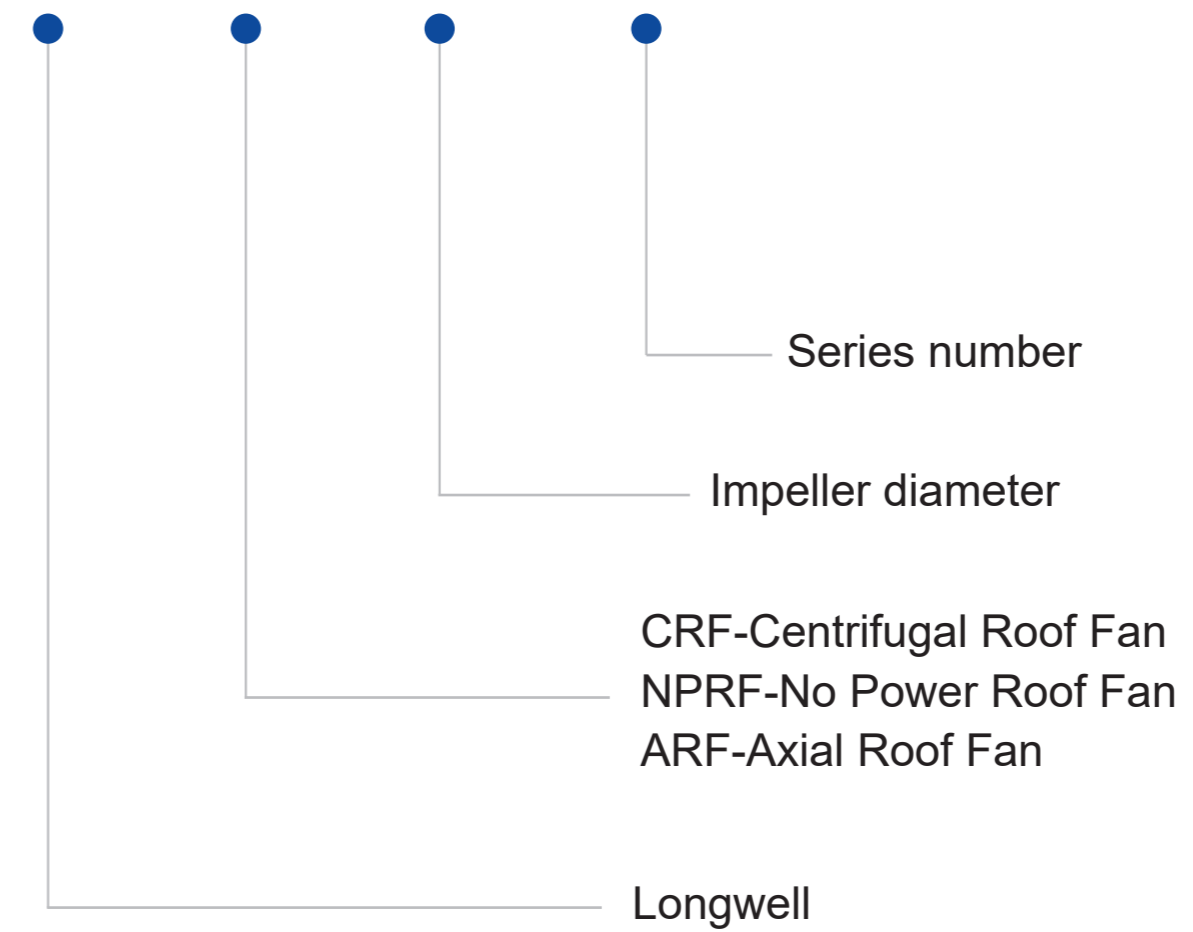
Roof fan

Professional HVAC Fan & Motors Manufacturer



Type Code

LW CRF 360 - 10



Aluminum Centrifugal Roof Fan



Product Characteristic

- Impeller material: Aluminum
 - Power supply: 3 Phase/380V/50Hz
 - Humidity: <90%
 - Operation temperature: -20 C ~ +40 C
- Medium condition:
- Regular type: Non-corrosive, non-flammable, explosive gas (dust content not exceeding 100mg/m³)
 - Explosion-proof type: Non-corrosive, containing flammable and explosive gases (with dust content not exceeding 100mg/m³)
- Application: Fans can be mainly used for roof exhaust and ventilation in large workshops factories, power plants, and high-end civil buildings

Parameter table

Model	Speed (r/min)	Air volume (m ³ /h)	Static pressure (Pa)	Motor power (kW)	Noise [dB(A)]	Weight (kg)
LWCRF300-01	1730	3200	30	0.37	68	34
LWCRF300-02	1730	3000	120	0.37	68	34
LWCRF300-03	1730	2600	235	0.37	68	34
LWCRF300-04	1450	2700	20	0.25	66	34
LWCRF300-05	1450	2500	90	0.25	66	34
LWCRF300-06	1450	2100	185	0.25	66	34
LWCRF300-07	1254	2300	20	0.18	61	33
LWCRF300-08	1254	2100	85	0.18	61	33
LWCRF300-09	1254	1800	150	0.18	61	33
LWCRF300-10	960	1700	30	0.18	54	33
LWCRF300-11	960	1600	50	0.18	54	33
LWCRF300-12	960	1400	80	0.18	54	33
LWCRF300-13	720	1300	25	0.12	52	33
LWCRF300-14	720	1100	40	0.12	52	33
LWCRF300-15	720	900	60	0.12	52	33
LWCRF400-02	1450	7500	80	1.1	74	55
LWCRF400-03	1450	6700	280	1.1	74	55
LWCRF400-04	1450	6000	365	1.1	74	55
LWCRF400-05	1235	6500	30	0.75	70	50
LWCRF400-06	1235	6000	140	0.75	70	50
LWCRF400-07	1235	5200	250	0.75	70	50

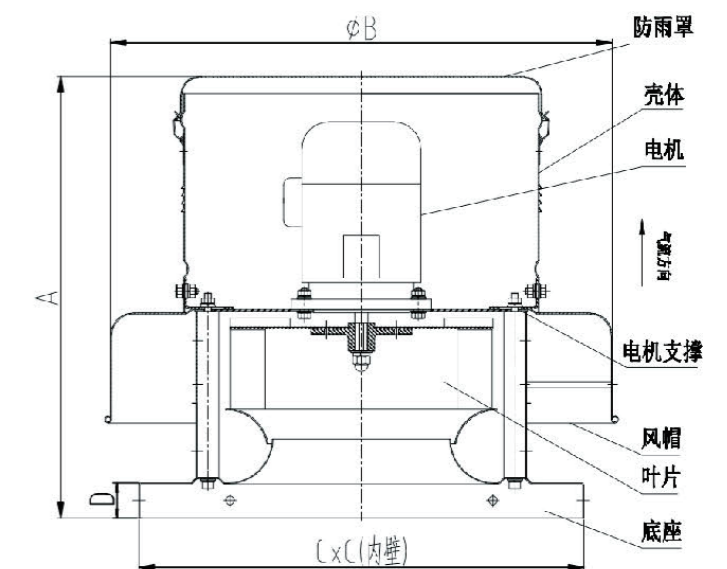
Model	Speed (r/min)	Air volume (m ³ /h)	Static pressure (Pa)	Motor power (kW)	Noise [dB(A)]	Weight (kg)
LWCRF400-08	1128	5900	25	0.55	68	49
LWCRF400-09	1128	5500	115	0.55	68	49
LWCRF400-10	1128	4700	210	0.55	68	49
LWCRF400-11	960	5000	25	0.25	65	49
LWCRF400-12	960	4500	110	0.25	65	49
LWCRF400-13	960	4000	150	0.25	65	49
LWCRF400-14	720	3700	20	0.18	56	48
LWCRF400-15	720	3300	70	0.18	56	48
LWCRF400-16	720	2800	100	0.18	56	48
LWCRF500-02	1200	10200	55	1.5	76	63
LWCRF500-03	1200	9300	200	1.5	76	63
LWCRF500-04	1200	8500	310	1.5	76	63
LWCRF500-05	1080	9300	50	1.1	73	63
LWCRF500-06	1080	8400	160	1.1	73	63
LWCRF500-07	1080	7400	260	1.1	73	63
LWCRF500-08	960	8200	45	0.75	69	61
LWCRF500-09	960	7300	100	0.75	69	61
LWCRF500-10	960	6500	220	0.75	69	61
LWCRF500-11	840	7000	45	0.55	66	56
LWCRF500-12	840	6600	95	0.55	66	56
LWCRF500-13	840	6000	145	0.55	66	56
LWCRF500-14	720	5800	40	0.25	62	55
LWCRF500-15	720	5100	120	0.25	62	55
LWCRF500-16	720	4500	130	0.25	62	55
LWCRF560-01	960	12500	50	1.5	75	20
LWCRF560-02	960	11000	205	1.5	75	20
LWCRF560-03	960	10000	280	1.5	75	20
LWCRF560-04	894	11100	45	1.5	73	70
LWCRF560-05	894	10200	190	1.5	73	70
LWCRF560-06	894	9500	235	1.5	73	70
LWCRF560-07	827	10700	40	1.1	70	68
LWCRF560-08	827	9400	160	1.1	70	68
LWCRF560-09	827	8500	220	1.1	70	68
LWCRF560-10	720	9200	40	0.75	68	63
LWCRF560-11	720	8000	135	0.75	68	63
LWCRF560-12	720	7000	180	0.75	68	63
LWCRF560-13	662	8200	40	0.55	64	62
LWCRF560-14	662	7500	95	0.55	64	62
LWCRF560-15	662	6500	135	0.55	64	62
LWCRF630-01	840	17500	65	2.2	75	112
LWCRF630-02	840	16000	190	2.2	75	112
LWCRF630-03	840	14000	300	2.2	75	112

Model	Speed (r/min)	Air volume (m³/h)	Static pressure (Pa)	Motor power (kW)	Noise [dB(A)]	Weight (kg)
LWCRF630-04	781	16300	45	2.2	73	110
LWCRF630-05	781	14500	185	2.2	73	110
LWCRF630-06	781	13000	265	2.2	73	110
LWCRF630-07	720	15000	40	1.5	72	100
LWCRF630-08	720	13500	155	1.5	72	100
LWCRF630-09	720	12000	230	1.5	72	100
LWCRF630-10	634	13200	40	1.1	68	100
LWCRF630-11	634	12100	115	1.1	68	100
LWCRF630-12	634	10500	175	1.1	68	100
LWCRF630-13	575	12000	30	0.75	66	98
LWCRF630-14	575	11000	85	0.75	66	98
LWCRF630-15	575	9200	150	0.75	66	98
LWCRF630-16	516	10600	35	0.55	65	93
LWCRF630-17	516	9000	105	0.55	65	93
LWCRF630-18	516	7500	145	0.55	65	93
LWCRF710-01	840	24000	75	4	79	123
LWCRF710-02	840	22000	235	4	79	123
LWCRF710-03	840	19000	380	4	79	123
LWCRF710-04	720	20700	50	3	75	117
LWCRF710-05	720	18000	217	3	75	117
LWCRF710-06	720	16000	290	3	75	117
LWCRF710-07	654	18300	50	2.2	70	117
LWCRF710-08	654	16500	170	2.2	70	117
LWCRF710-09	654	15000	230	2.2	70	117
LWCRF710-10	592	16800	45	1.5	67	113
LWCRF710-11	592	14600	155	1.5	67	113
LWCRF710-12	592	13000	205	1.5	67	113
LWCRF710-13	529	14900	45	1.1	66	105
LWCRF710-14	529	13300	120	1.1	66	105
LWCRF710-15	529	12000	150	1.1	66	105
LWCRF710-16	467	13000	40	0.75	64	103
LWCRF710-17	467	11000	120	0.75	64	103
LWCRF710-18	467	9000	150	0.75	64	103
LWCRF900-01	720	35500	80	5.5	76	168
LWCRF900-02	720	32000	280	5.5	76	168
LWCRF900-03	720	28500	400	5.5	76	168
LWCRF900-04	621	31000	55	4	72	166
LWCRF900-05	621	27000	230	4	72	166
LWCRF900-06	621	24000	310	4	72	166
LWCRF900-07	572	28000	50	3	68	157
LWCRF900-08	572	25500	170	3	68	157
LWCRF900-09	572	22500	250	3	68	157

Model	Speed (r/min)	Air volume (m³/h)	Static pressure (Pa)	Motor power (kW)	Noise [dB(A)]	Weight (kg)
LWCRF900-10	497	24600	50	2.2	66	135
LWCRF900-11	497	22300	125	2.2	66	135
LWCRF900-12	497	19500	190	2.2	66	135
LWCRF900-13	448	22000	40	1.5	65	126
LWCRF900-14	448	19600	120	1.5	65	126
LWCRF900-15	448	16500	175	1.5	65	126
LWCRF900-16	398	19000	40	1.1	63	118
LWCRF900-17	398	17200	85	1.1	63	118
LWCRF900-18	398	15000	130	1.1	63	118
LWCRF1000-02	720	48500	100	11	78	222
LWCRF1000-03	720	44000	330	11	78	222
LWCRF1000-04	720	40000	465	11	78	222
LWCRF1000-05	621	42000	70	7.5	73	222
LWCRF1000-06	621	38000	245	7.5	73	222
LWCRF1000-07	621	34000	350	7.5	73	222
LWCRF1000-08	572	38200	70	5.5	72	185
LWCRF1000-09	572	35000	205	5.5	72	185
LWCRF1000-10	572	32000	285	5.5	72	185
LWCRF1000-11	522	35500	50	4	70	176
LWCRF1000-12	522	31000	195	4	70	176
LWCRF1000-13	522	28000	260	4	70	176
LWCRF1000-14	473	31500	50	3	68	167
LWCRF1000-15	473	29000	140	3	68	167
LWCRF1000-16	473	26000	210	3	68	167
LWCRF1000-17	398	26500	45	2.2	65	145
LWCRF1000-18	398	24000	110	2.2	65	145
LWCRF1000-19	398	20000	170	2.2	65	145

Installation dimensions table

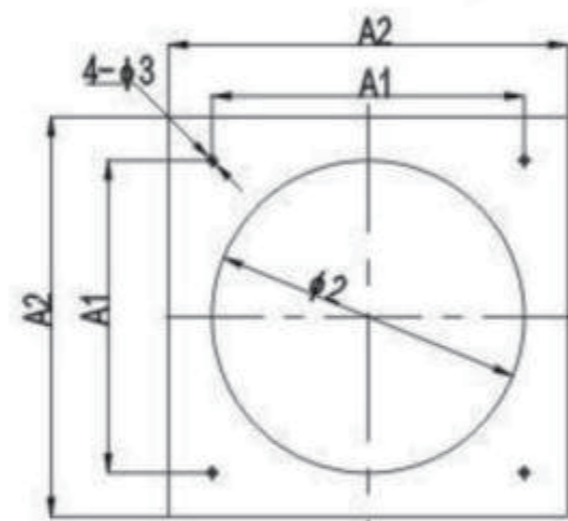
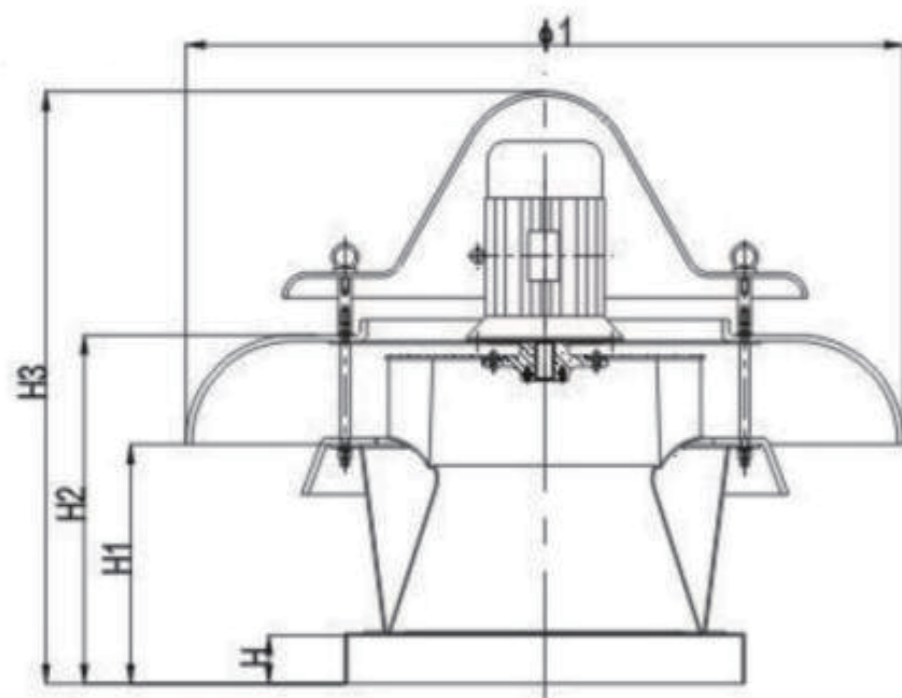
Model	A(mm)	B(mm)	C(mm)	D(mm)
LWCRF-300	600	540	505	40
LWCRF-425	690	720	605	40
LWCRF-500	770	830	705	50
LWCRF-575	840	940	755	50
LWCRF-675	890	1100	875	50
LWCRF-750	1030	1180	905	60
LWCRF-900	1200	1440	1100	70
LWCRF-1000	1260	1540	1200	70



Centrifugal Roof Fan

Product Characteristic

This series of roof fan adopts special design for high pressure requirements. It is widely used for ventilating and air exchanging for petroleum, chemical, textile, metallurgy, casting and mechanical plant, office, laboratory, warehouse etc. It is installed directly on the roof, very convenient to operate.



Installation dimensions table

Model	A1	A2	H	H1	H2	H3	Φ1	Φ2	Φ3
LWCRF360-01	400	480	80	215	465	710	Φ830	Φ360	Φ16
LWCRF400-01	420	520	80	311	440	790	Φ920	Φ400	Φ16
LWCRF450-01	470	570	80	330	415	850	Φ920	Φ450	Φ16
LWCRF500-01	500	640	80	273	440	940	Φ1035	Φ500	Φ16
LWCRF600-01	650	820	80	330	520	1040	Φ1220	Φ600	Φ20
LWCRF800-01	800	1050	80	535	806	1280	Φ1610	Φ800	Φ20
LWCRF1000-01	1000	1300	80	710	975	1560	Φ1830	Φ1000	Φ20

Parameter table

Model	Rotational speed (r/min)	Matching motor (kw-p)	Air volume (m³/h)	Total pressure (Pa)
LWCRF360-01	1450	1.1-4	1332-2634	393-347
LWCRF400-01	1450	1.1-4	2006-3709	501-329
LWCRF450-01	1450	1.1-4	2856-5281	634-416
LWCRF500-01	1450	2.2-4	3864-7728	790-502
LWCRF600-01	1450/960	4-4/1.5-6	6677-13353/4420-8841	1139-724/498-317
LWCRF700-01	960	3-6	8390-13580	680-510
LWCRF800-01	960	5.5-6	10478-19428	887-651
LWCRF1000-01	730	7.5-8	20350-28497	805-637

No Power Roof Fan

Product Characteristic

No Power Roof Fan developed per the energy saving policy to make use of the natural sources. Its top feature is no need power, only use the air flow as driven power. With much sensible, can run all time, no need power, no need to repair, energy saving, no operation cost after installation. It is made of stainless steel materials with features as antirust, anticorrosive, resistance to acid and alkali. It is widely used for workshops, painting plants, plating workshops, tooling workshops, warehouse, die casting workshops, generator rooms, warehouses, etc.



Parameter table

Model	Outer diameter (mm)	Throat diameter (mm)	Wind speed (m/s)	Air volume (m³/h)
LWNPRF300-01	420	300	3.2-16	298-1100
LWNPRF500-01	620	500	3.2-16	824-3047
LWNPRF600-01	750	600	3.2-16	1188-4393
LWNPRF800-01	880	680	3.2-16	1526-5643

Axial Roof Fan

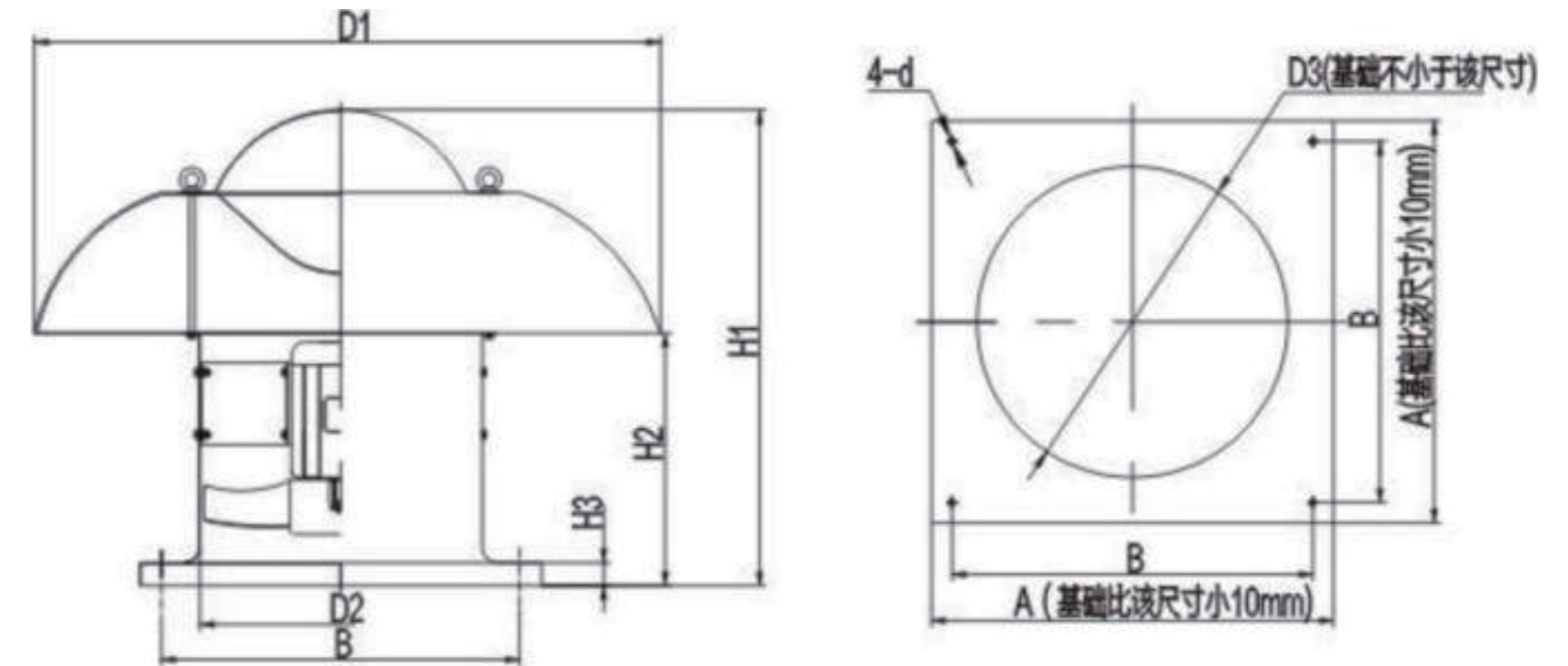


Product Characteristic

Axial Roof Fan has flow rate large and lower pressure than Centrifugal Fan, Axial Roof Fan could be designed to be revolving in two directions and reversible according to needs of users. It has features like low noise, light weight steady revolution, high efficiency, good anti-corrosion performance and so on, which is suitable for ventilation for mechanical workshops such as petroleum, chemical industry, spinning and weaving as well as warehouse buildings.

Parameter table

Model	Impeller diameter (mm)	Blade angle	Rotational speed (r/min)	Matching motor (kw-p)	Air volume (m³/h)	Total pressure (pa)
LWARF280-01	280	30°	1450	0.09-4	1464	48
LWARF315-01	315	30°	1450	0.12-4	2072	59
LWARF355-01	355	30°	1450	0.18-4	2977	75
LWARF400-01	400	30°	1450	0.25-4	4263	95
LWARF450-01	450	30°	1450	0.37-4	6070	120
LWARF500-01	500	30°	1450/960	0.55-4/0.37-6	8327/5566	149/64
LWARF560-01	560	30°	1450/960	1.1-4/0.37-6	11682/7724	186/81
LWARF630-01	630	30°	1450/960	1.5-4/0.75-6	16639/11016	236/104
LWARF710-01	710	25°	1450/960	3-4/0.75-6	23815/15766	300/131
LWARF800-01	800	25°	1450/960	5.5-4/1.5-6	31325/20735	354/155
LWARF900-01	900	25°	960	3-6	29529	196
LWARF1000-01	1000	25°	960	4-6	40508	242
LWARF1120-01	1120	25°	960	7.5-6	56909	304



Installation dimensions table

Model	D1	D2	D3	A	B	H1	H2	H3	d	Weight (kg)
LWARF280-01	Φ580	Φ290	357	463	390	505	330	40	10	15
LWARF315-01	Φ580	Φ325	385	517	440	515	340	40	10	18
LWARF355-01	Φ655	Φ365	430	561	478	600	410	40	14	22
LWARF400-01	Φ655	Φ410	480	637	550	620	410	40	14	27
LWARF450-01	Φ900	Φ460	540	697	600	630	410	40	14	29
LWARF500-01	Φ900	Φ510	590	757	660	740	490	50	14	34
LWARF560-01	Φ1000	Φ570	660	837	730	720	470	50	14	39
LWARF630-01	Φ1000	Φ640	740	917	810	810	550	50	14	46
LWARF710-01	Φ1210	Φ720	835	1007	900	960	650	50	14	55
LWARF800-01	Φ1340	Φ810	925	1108	1000	1040	695	50	14	61
LWARF900-01	Φ1650	Φ910	1030	1258	1125	1120	700	60	18	67
LWARF1000-01	Φ1650	Φ1010	1140	1408	1260	1143	723	60	18	79
LWARF1120-01	Φ1870	Φ1140	1275	1410	1260	1210	745	60	18	82

Axial Flow Roof Fan

Product Characteristic

- Impeller material: Stainless steel
- Power supply: 3 Phase/380V/50Hz
- Humidity: < 99%
- Operation temperature: -20 C ~ +45 C

Medium condition:

- Regular type: Non-corrosive, non-flammable, explosive gas (dust content not exceeding 100mg/m³)
- Explosion-proof type: Non-corrosive, containing flammable and explosive gases (with dust content not exceeding 100mg/m³)
- Anticorrosion type: Corrosive gas (with no particulate matter)
- Application: The fan can be mainly used for high-rise buildings, factories, power plants, stations stadiums and other medium and low pressure, large-flow ventilation and air exchange



Parameter table

Model	Speed (r/min)	Air volume (m ³ /h)	Static pressure (Pa)	Motor power (kW)	Noise [dB(A)]	Weight (kg)
LWARF310-01E	2850	3300	181	0.37	65	31
LWARF310-02E	2850	3160	188		65	
LWARF310-03E	2850	3020	196		65	
LWARF310-04E	2850	2900	208		65	
LWARF310-05E	2850	2750	220		66	
LWARF310-06E	2850	2600	232		66	
LWARF310-07E	1450	1650	62	0.06	52	29
LWARF310-08E	1450	1610	64		53	
LWARF310-09E	1450	1570	65		53	
LWARF310-10E	1450	1530	67		53	
LWARF310-11E	1450	1490	70		53	
LWARF310-12E	1450	1450	72		53	
LWARF410-01E	2850	7450	193	0.75	69	34
LWARF410-02E	2850	7000	205		69	
LWARF410-03E	2850	6600	218		69	
LWARF410-04E	2850	6250	230		70	
LWARF410-05E	2850	5720	240		70	
LWARF410-06E	2850	5300	250		70	

Model	Speed (r/min)	Air volume (m ³ /h)	Static pressure (Pa)	Motor power (kW)	Noise [dB(A)]	Weight (kg)
LWARF410-07E	1450	5700	176	0.55	67	32
LWARF410-08E	1450	5480	180		67	
LWARF410-09E	1450	5260	182		67	
LWARF410-10E	1450	5020	185		67	
LWARF410-11E	1450	4800	187		67	
LWARF410-12E	1450	4580	190		67	
LWARF510-01E	1450	8000	135	0.55	66	58
LWARF510-02E	1450	7750	148		67	
LWARF510-03E	1450	7500	162		67	
LWARF510-04E	1450	6800	170		67	
LWARF510-05E	1450	6200	182		68	
LWARF510-06E	1450	5600	191		68	
LWARF510-07E	960	7000	113	0.37	62	59
LWARF510-08E	960	6850	117		62	
LWARF510-09E	960	6700	122		62	
LWARF510-10E	960	6600	125		63	
LWARF510-11E	960	6500	128		63	
LWARF510-12E	960	6400	131		63	
LWARF510-13E	720	6000	88	0.25	59	60
LWARF510-14E	720	5500	90		59	
LWARF510-15E	720	5000	92		59	
LWARF510-16E	720	4700	93		59	
LWARF510-17E	720	4400	95		58	
LWARF510-18E	720	4100	96		58	
LWARF610-01E	1450	15000	232	1.5	71	83
LWARF610-02E	1450	14500	240		72	
LWARF610-03E	1450	14000	251		72	
LWARF610-04E	1450	13700	256		72	
LWARF610-05E	1450	13400	262		72	
LWARF610-06E	1450	13000	267		72	
LWARF610-07E	960	11000	168	1.1	67	84
LWARF610-08E	960	10600	172		67	
LWARF610-09E	960	10200	180		68	
LWARF610-10E	960	9800	185		68	
LWARF610-11E	960	9400	189		68	
LWARF610-12E	960	9100	193		68	
LWARF610-13E	720	8500	111	0.55	63	88
LWARF610-14E	720	8350	116		63	
LWARF610-15E	720	8200	121		63	
LWARF610-16E	720	8000	127		64	
LWARF610-17E	720	7800	132		64	
LWARF610-18E	720	7600	136		64	

Model	Speed (r/min)	Air volume (m³/h)	Static pressure (Pa)	Motor power (kW)	Noise [dB(A)]	Weight (kg)
LWARF710-01E	960	17500	165	1.5	69	116
LWARF710-02E	960	16800	174			
LWARF710-03E	960	16000	185			
LWARF710-04E	960	14500	201			
LWARF710-05E	960	13000	207			
LWARF710-06E	960	12500	212			
LWARF710-07E	720	12000	141	0.75	60	114
LWARF710-08E	720	11500	150			
LWARF710-09E	720	11000	163			
LWARF710-10E	720	10500	168			
LWARF710-11E	720	10000	172			
LWARF710-12E	720	9200	177			
LWARF710-13E	560	9300	83	0.55	72	121
LWARF710-14E	560	8800	88			
LWARF710-15E	560	8300	95			
LWARF710-16E	560	7800	98			
LWARF710-17E	560	7500	100			
LWARF710-18E	560	7200	102			
LWARF810-01E	960	27000	175	2.2	72	137
LWARF810-02E	960	26400	182			
LWARF810-03E	960	25800	196			
LWARF810-04E	960	25000	207			
LWARF810-05E	960	24000	218			
LWARF810-06E	960	23000	228			
LWARF810-07E	720	20000	129	1.5	68	136
LWARF810-08E	720	19200	138			
LWARF810-09E	720	18400	147			
LWARF810-10E	720	17600	152			
LWARF810-11E	720	16800	160			
LWARF810-12E	720	16000	167			
LWARF810-13E	560	15750	78	0.75	62	132
LWARF810-14E	560	15000	85			
LWARF810-15E	560	14500	92			
LWARF810-16E	560	13800	100			
LWARF810-17E	560	13000	110			
LWARF810-18E	560	12250	121			
LWARF910-01E	960	34500	202	3	76	208
LWARF910-02E	960	32000	210			
LWARF910-03E	960	30500	218			
LWARF910-04E	960	28000	232			
LWARF910-05E	960	26000	244			
LWARF910-06E	960	24000	256			

Model	Speed (r/min)	Air volume (m³/h)	Static pressure (Pa)	Motor power (kW)	Noise [dB(A)]	Weight (kg)
LWARF910-07E	720	32000	126	2.2	69	209
LWARF910-08E	720	30600	135			
LWARF910-09E	720	29000	146			
LWARF910-10E	720	27500	155			
LWARF910-11E	720	25800	166			
LWARF910-12E	720	24000	177			
LWARF910-13E	560	24000	102	1.1	66	193
LWARF910-14E	560	23000	106			
LWARF910-15E	560	22000	112			
LWARF910-16E	560	21000	118			
LWARF910-17E	560	19800	122			
LWARF910-18E	560	18600	126			
LWARF1010-01E	960	50000	251	5.5	79	254
LWARF1010-02E	960	48000	265			
LWARF1010-03E	960	45000	286			
LWARF1010-04E	960	43000	297			
LWARF1010-05E	960	41000	308			
LWARF1010-06E	960	39000	317			
LWARF1010-07E	720	46000	167	3	76	249
LWARF1010-08E	720	43500	169			
LWARF1010-09E	720	41000	171			
LWARF1010-10E	720	39000	175			
LWARF1010-11E	720	37000	178			
LWARF1010-12E	720	35000	183			
LWARF1010-13E	560	28000	111	1.5	68	242
LWARF1010-14E	560	26500	116			
LWARF1010-15E	560	25000	120			
LWARF1010-16E	560	23500	125			
LWARF1010-17E	560	21700	129			
LWARF1010-18E	560	20000	133			
LWARF1110-01E	960	56900	253	5.5	81	272
LWARF1110-02E	960	54000	260			
LWARF1110-03E	960	51000	278			
LWARF1110-04E	960	48000	296			
LWARF1110-05E	960	44200	308			
LWARF1110-06E	960	40400	322			
LWARF1110-07E	720	52500	148	3	75	265
LWARF1110-08E	720	50000	155			
LWARF1110-09E	720	47500	162			
LWARF1110-10E	720	45000	169			
LWARF1110-11E	720	42500	176			
LWARF1110-12E	720	40000	183			

Model	Speed (r/min)	Air volume (m³/h)	Static pressure (Pa)	Motor power (kW)	Noise [dB(A)]	Weight (kg)
LWARF1110-13E	560	32000	111	1.5	70	277
LWARF1110-14E	560	31500	116		71	
LWARF1110-15E	560	30000	122		71	
LWARF1110-16E	560	28000	128		71	
LWARF1110-17E	560	26500	135		71	
LWARF1110-18E	560	25000	142		71	
LWARF1210-01E	720	57000	196	5.5	74	345
LWARF1210-02E	720	55000	199		74	
LWARF1210-03E	720	52500	202		74	
LWARF1210-04E	720	50000	205		74	
LWARF1210-05E	720	47500	207		74	
LWARF1210-06E	720	44000	209		73	
LWARF1210-07E	560	42000	126	3	69	336
LWARF1210-08E	560	40500	129		69	
LWARF1210-09E	560	39000	132		69	
LWARF1210-10E	560	37500	134		69	
LWARF1210-11E	560	35000	140		69	
LWARF1210-12E	560	33000	148		69	
LWARF1410-01E	720	76700	250	7.5	77	441
LWARF1410-02E	720	73000	255		77	
LWARF1410-03E	720	69000	258		77	
LWARF1410-04E	720	65000	262		77	
LWARF1410-05E	720	61000	265		77	
LWARF1410-06E	720	57500	268		77	
LWARF1410-07E	560	69000	159	4	72	419
LWARF1410-08E	560	65500	162		72	
LWARF1410-09E	560	62000	165		72	
LWARF1410-10E	560	58500	168		72	
LWARF1410-11E	560	55000	171		71	
LWARF1410-12E	560	51500	175		71	
LWARF1510-01E	720	88500	195	7.5	78	470
LWARF1510-02E	720	85000	198		78	
LWARF1510-03E	720	81500	200		78	
LWARF1510-04E	720	78000	203		77	
LWARF1510-05E	720	74000	205		77	
LWARF1510-06E	720	70000	208		77	
LWARF1510-07E	480	74750	149	4	73	450
LWARF1510-08E	480	70000	152		73	
LWARF1510-09E	480	66600	155		72	
LWARF1510-10E	480	62500	158		72	
LWARF1510-11E	480	59000	161		72	
LWARF1510-12E	480	55800	165		72	

Model	Speed (r/min)	Air volume (m³/h)	Static pressure (Pa)	Motor power (kW)	Noise [dB(A)]	Weight (kg)
LWARF1610-01E	730	107500	235	11	80	532
LWARF1610-02E	730	102600	240		80	
LWARF1610-03E	730	97400	245		80	
LWARF1610-04E	730	92000	250		80	
LWARF1610-05E	730	86600	253		80	
LWARF1610-06E	730	81500	256		80	
LWARF1610-07E	480	61000	131	4	71	532
LWARF1610-08E	480	57700	138		71	
LWARF1610-09E	480	53500	145		71	
LWARF1610-10E	480	48800	155		71	
LWARF1610-11E	480	45500	160		71	
LWARF1610-12E	480	42600	167		71	
LWARF1810-01E	720	129300	261	15	80	684
LWARF1810-02E	720	122800	266		80	
LWARF1810-03E	720	116000	270		80	
LWARF1810-04E	720	108800	276		80	
LWARF1810-05E	720	102600	282		80	
LWARF1810-06E	720	96450	287		79	
LWARF1810-07E	480	96250	122	5.5	72	540
LWARF1810-08E	480	92000	126		72	
LWARF1810-09E	480	88000	132		72	
LWARF1810-10E	480	83600	136		72	
LWARF1810-11E	480	78800	139		72	
LWARF1810-12E	480	74300	143		72	
LWARF1810-13E	320	79150	115	4	70	586
LWARF1810-14E	320	76000	118		70	
LWARF1810-15E	320	72600	122		70	
LWARF1810-16E	320	69200	130		70	
LWARF1810-17E	320	66000	140		71	
LWARF1810-18E	320	62500	148		71	
LWARF2010-01E	480	151830	194	15	76	863
LWARF2010-02E	480	145000	198		76	
LWARF2010-03E	480	138800	205		76	
LWARF2010-04E	480	132000	210		76	
LWARF2010-05E	480	125000	215		76	
LWARF2010-06E	480	117900	222		76	
LWARF2010-07E	320	112950	118	7.5	72	843
LWARF2010-08E	320	108000	120		72	
LWARF2010-09E	320	103000	122		72	
LWARF2010-10E	320	97500	125		72	
LWARF2010-11E	320	92000	128		72	
LWARF2010-12E	320	85680	132		72	

Model	Speed (r/min)	Air volume (m³/h)	Static pressure (Pa)	Motor power (kW)	Noise [dB(A)]	Weight (kg)
LWARF2210-01E	480	181440	193	18.5	79	904
LWARF2210-02E	480	174000	196		79	
LWARF2210-03E	480	166000	199		79	
LWARF2210-04E	480	159000	202		79	
LWARF2210-05E	480	152000	206		79	
LWARF2210-06E	480	148500	210		79	
LWARF2210-07E	320	139500	135	11	73	904
LWARF2210-08E	320	133200	138		73	
LWARF2210-09E	320	127000	142		74	
LWARF2210-10E	320	120000	146		74	
LWARF2210-11E	320	114000	150		74	
LWARF2210-12E	320	107550	155		74	
LWARF2410-01E	480	198720	212	22	80	975
LWARF2410-02E	480	190000	218		80	
LWARF2410-03E	480	182000	225		80	
LWARF2410-04E	480	174000	232		80	
LWARF2410-05E	480	165500	238		80	
LWARF2410-06E	480	158850	246		80	
LWARF2410-07E	320	157500	133	11	75	922
LWARF2410-08E	320	150000	140		75	
LWARF2410-09E	320	142000	146		75	
LWARF2410-10E	320	135200	153		75	
LWARF2410-11E	320	128600	160		76	
LWARF2410-12E	320	121500	169		76	

Installation dimensions table

Model	D	A	H	F	E	C	B
LWARF-310	310	580	540	50	350	480	500
LWARF-410	410	660	620	50	400	580	600
LWARF-510	510	900	630	50	400	680	700
LWARF-610	610	1000	690	50	450	780	800
LWARF-710	710	1220	780	50	500	880	900
LWARF-810	810	1340	840	50	500	980	1000
LWARF-910	910	1650	950	50	600	1080	1100
LWARF-1010	1010	1650	1000	50	650	1180	1200
LWARF-1110	1110	1860	1110	50	650	1380	1400
LWARF-1210	1210	1860	970	100	525	1380	1400
LWARF-1410	1410	2500	1105	100	625	1540	1560
LWARF-1510	1510	2500	1455	100	625	1680	1700
LWARF-1610	1610	3120	1455	100	625	1780	1800
LWARF-1810	1810	3120	1505	100	675	1980	2000
LWARF-2010	2010	3500	1505	100	675	2180	2200
LWARF-2210	2210	3500	1505	100	675	2380	2400
LWARF-2410	2410	3500	1505	100	675	2580	2600

