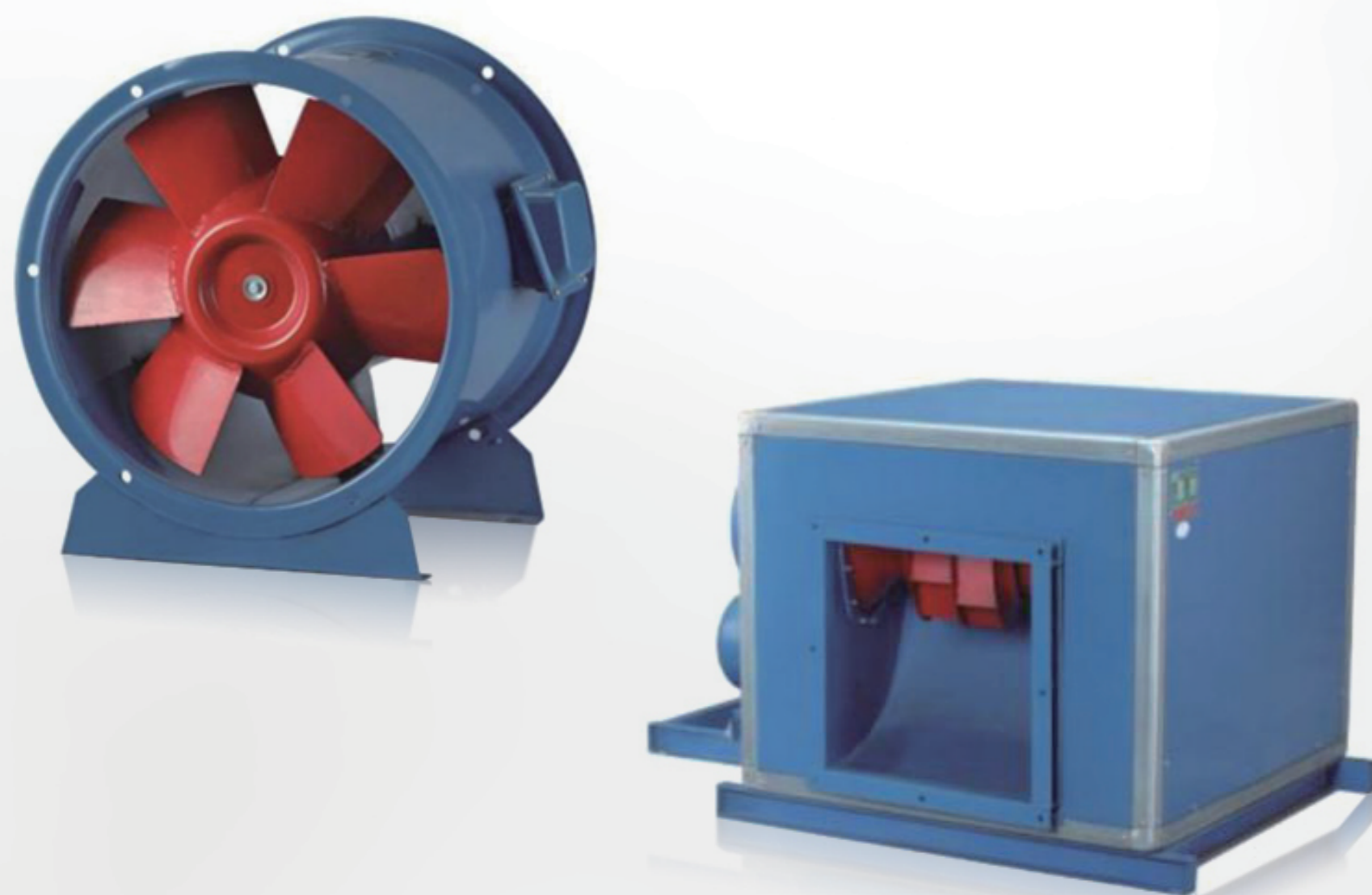


# Fireproof Series Fans

Professional HVAC Fan & Motors Manufacturer



## Type Code

LW A 3.5 O - 01



Series number

O-Outboard I-Internal  
E-Registration Number

Registration Number

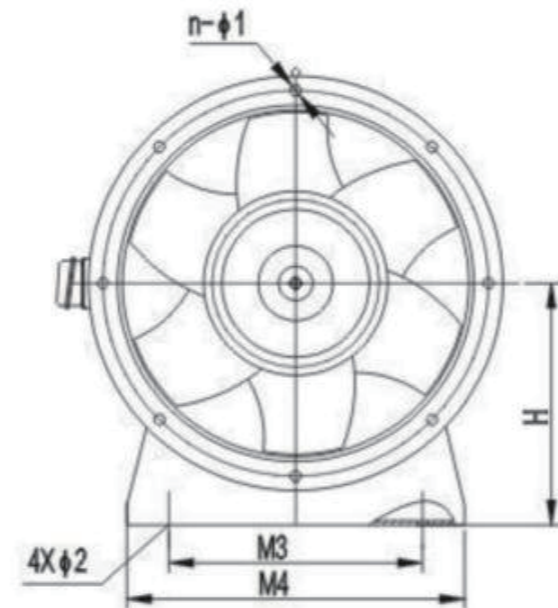
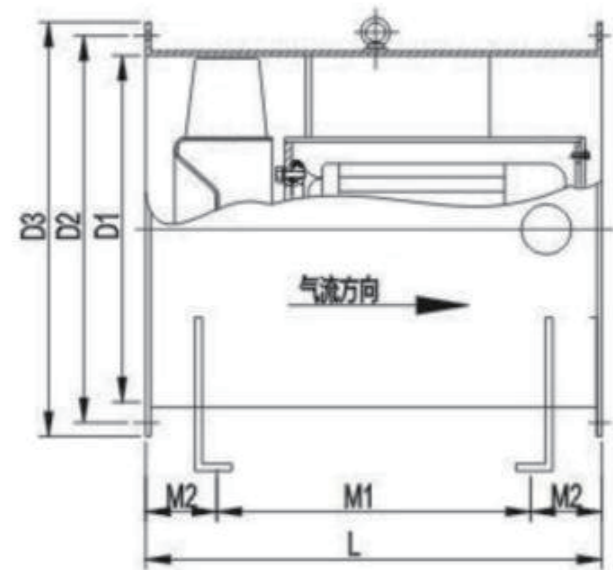
- A-Fire Fighting High Temperature Fume Exhausting Axial Fan
- B-Fire Fighting High Temperature Fume Exhausting Mixed Flow Fan
- C-Fire Fighting/Ventilating Double Functions Centrifugal Fan Box
- D-Fire Fighting/Ventilating Double Functions Backwards Centrifugal Fan Box
- E-Double Inlets Centrifugal Fan Box

Longwell

# Fire Fighting High Temperature Fume Exhausting Axial Fan

## Product Characteristic

HTF Series Fire-fighting Fume Etraction Axial Fan is a new product by optimized design, research and development. It has features of high efficiency and smooth curve. It is beneficial for emergy-saving. It adopts motor direct driven. It can utilize single or multi-speed transmission forms according to various requirements of the high-grade civil-purpose architectures in order to fulfill the goal of ventilation, air-exchange and heat fume extraction during fire-fighting. This product is widely applicable for the occasions such as high-grade civil-purpose architectures, dry oven, underground, etc.



## HTF-I II Installation dimension sheet

| Model  | D1  | D2  | D3  | L   | I<br>M1 | M2 | L   | II<br>M1 | M2 | M3  | M4  | H   | n×φ1  | φ2  |
|--------|-----|-----|-----|-----|---------|----|-----|----------|----|-----|-----|-----|-------|-----|
| LWA3   | 310 | 340 | 370 | 400 | 264     | 50 | /   | /        | /  | 260 | 300 | 210 | 6×φ10 | φ14 |
| LWA3.5 | 360 | 390 | 420 | 400 | 264     | 50 | /   | /        | /  | 260 | 300 | 232 | 6×φ10 | φ14 |
| LWA4   | 410 | 440 | 470 | 440 | 300     | 50 | /   | /        | /  | 270 | 330 | 270 | 6×φ10 | φ14 |
| LWA4.5 | 460 | 490 | 520 | 440 | 300     | 50 | /   | /        | /  | 320 | 380 | 300 | 8×φ11 | φ14 |
| LWA5   | 510 | 540 | 570 | 510 | 365     | 50 | 510 | 365      | 50 | 340 | 420 | 325 | 8×φ11 | φ14 |
| LWA5.5 | 560 | 590 | 620 | 510 | 365     | 50 | 510 | 365      | 50 | 400 | 500 | 350 | 8×φ11 | φ14 |

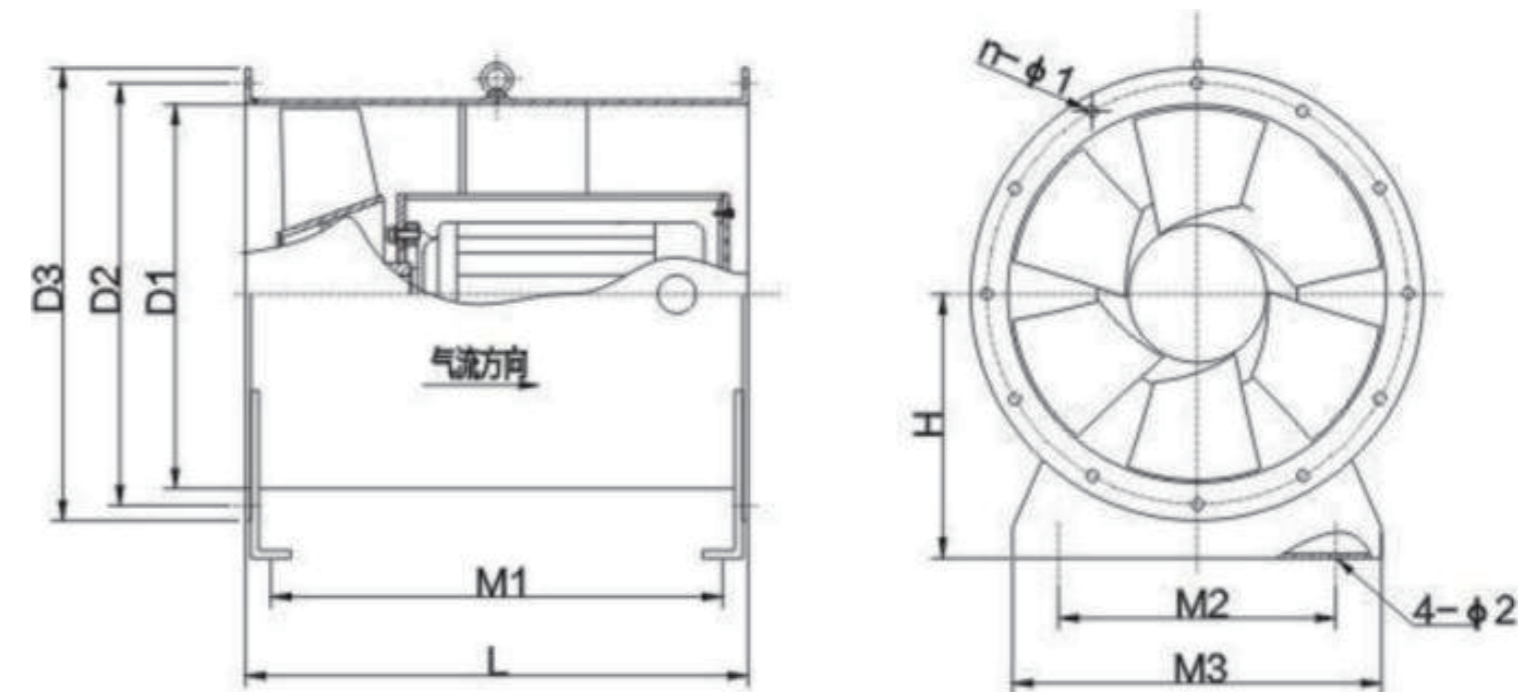
| Model  | D1   | D2   | D3   | L    | I<br>M1 | M2 | L    | II<br>M1 | M2 | M3   | M4   | H   | n×φ1   | φ2  |
|--------|------|------|------|------|---------|----|------|----------|----|------|------|-----|--------|-----|
| LWA6   | 610  | 640  | 670  | 600  | 430     | 60 | 600  | 430      | 60 | 430  | 510  | 385 | 10×φ11 | φ14 |
| LWA6.5 | 660  | 695  | 730  | 600  | 430     | 60 | 630  | 460      | 60 | 500  | 600  | 420 | 10×φ11 | φ14 |
| LWA7   | 710  | 745  | 780  | 700  | 535     | 60 | 760  | 595      | 60 | 500  | 600  | 440 | 10×φ11 | φ18 |
| LWA8   | 810  | 846  | 886  | 700  | 535     | 60 | 760  | 580      | 60 | 560  | 660  | 500 | 12×φ12 | φ18 |
| LWA9   | 910  | 946  | 986  | 770  | 600     | 60 | 810  | 640      | 60 | 700  | 800  | 560 | 12×φ12 | φ18 |
| LWA10  | 1010 | 1050 | 1090 | 780  | 600     | 60 | 820  | 640      | 60 | 750  | 850  | 630 | 12×φ12 | φ18 |
| LWA11  | 1110 | 1150 | 1190 | 900  | 840     | /  | 900  | 840      | /  | 980  | 1050 | 680 | 14×φ12 | φ18 |
| LWA12  | 1210 | 1250 | 1290 | 1020 | 954     | /  | 1020 | 954      | /  | 1065 | 1135 | 700 | 14×φ12 | φ18 |
| LWA13  | 1310 | 1350 | 1390 | 1020 | 954     | /  | 1020 | 954      | /  | 1100 | 1200 | 750 | 16×φ12 | φ18 |
| LWA15  | 1510 | 1560 | 1590 | 1100 | 1030    | /  | 1100 | 1030     | /  | 1390 | 1320 | 850 | 18×φ15 | φ21 |

## HTF-I Main parameters

| Model     | Speed (r/min) | Matched electric motor(kw-p) | Air volume (m³/h) | Total pressure (Pa) | Noise [dB(A)] |
|-----------|---------------|------------------------------|-------------------|---------------------|---------------|
| LWA3.5-01 | 2900          | 0.75-2                       | 4225-3350         | 280-420             | ≤78           |
| LWA4-01   | 2900          | 1.5-2                        | 5500-3800         | 300-450             | ≤79           |
| LWA4.5-01 | 2900          | 2.2-2                        | 8500-6210         | 410-670             | ≤80           |
| LWA5-01   | 2900          | 3-2                          | 9824-6817         | 510-752             | ≤80           |
| LWA5.5-01 | 2900          | 4-2                          | 12390-10160       | 428-630             | ≤86           |
| LWA6-01   | 2900          | 5.5-2                        | 16090-13197       | 510-752             | ≤86           |
| LWA6.5-01 | 1450          | 5.5-4                        | 19520-15216       | 524-620             | ≤88           |
| LWA7-01   | 1450          | 7.5-4                        | 21380-18908       | 610-720             | ≤88           |
| LWA8-01   | 1450          | 7.5-4                        | 31421-27071       | 582-623             | ≤89           |
| LWA9-01   | 1450          | 11-4                         | 33510-27513       | 562-840             | ≤90           |
| LWA10-01  | 1450          | 11-4                         | 45697-36279       | 397-640             | ≤90           |
| LWA11-01  | 1450          | 15-4                         | 51552-49648       | 580-688             | ≤91           |
| LWA12-01  | 960           | 18.5-6                       | 62763-57748       | 524-723             | ≤93           |
| LWA13-01  | 960           | 18.5-6                       | 74708-56031       | 624-807             | ≤94           |
| LWA15-01  | 960           | 22-6                         | 101389-76041      | 623-819             | ≤95           |

## HTF-II Main parameters

| Model     | Speed (r/min) | Matched electric motor(kw-p) | Air volume (m³/h)        | Total pressure (Pa) | Noise [dB(A)] |
|-----------|---------------|------------------------------|--------------------------|---------------------|---------------|
| LWA5-02   | 2900/1450     | 3/2.4                        | 9824-6817/4912-3410      | 510-752/127-188     | 80/75         |
| LWA5.5-02 | 2900/1450     | 4/3.3                        | 15200-10900/7600-5450    | 389-621/100-155     | 86/75         |
| LWA6-02   | 2900/1450     | 5.5/4.5                      | 16090-13197/8599-6549    | 510-752/127-188     | 86/75         |
| LWA6.5-02 | 1450/960      | 5.5/4                        | 21500-15300/14235-10130  | 425-680/187-198     | 88/80         |
| LWA7-02   | 1450/960      | 8.0/6.5                      | 24380-18908/16141-12518  | 610-720/267-316     | 88/80         |
| LWA8-02   | 1450/960      | 8.0/6.5                      | 31421-27071/22080-17923  | 624-732/255-273     | 89/80         |
| LWA9-02   | 1450/960      | 11/9                         | 33510-27513/22186-18216  | 562-840/246-368     | 90/81         |
| LWA10-02  | 1450/960      | 11/9                         | 45697-36279/30255-24019  | 397-640/174-281     | 91/80         |
| LWA11-02  | 1450/960      | 16/13                        | 51552-49648/38664-37235  | 580-688/326-387     | 92/83         |
| LWA12-02  | 960/720       | 17/8                         | 62768-57748/47072-43311  | 624-732/351-412     | 93/83         |
| LWA13-02  | 960/720       | 17/8                         | 74708-56031/56031-42023  | 600-807/338-454     | 94/84         |
| LWA15-02  | 960/720       | 25/12                        | 101389-76041/76042-57031 | 623-819/350-461     | 95/85         |



## Fire Fighting High Temperature Fume Exhausting Mixed Flow Fan

### Product Characteristic

HTF-V Mixed-flow Fire-Fighting Heat Fume Extraction Fan is a novel and in intermediate fan between axial-flow fan and centrifugal fan. It absorbs the advantages from both fans. Its wind pressure is higher than the same machine number axial-flow fan and flow larger than the same machine number centrifugal fan. It has advantages such as wide and effective operational zone, high efficiency etc. This fan is widely applicable for the ventilation and exhaust system in the office building, hotel, large-size high-grade civil purpose architectures etc. It can also be used for ventilation and air-exchange in the mining and industrial enterprises such as freezing house, textile and so on in order to replace the low-pressure centrifugal fan or high-pressure axial-flow with no need to install large amounts of the noise blanking facilities.



### HTF-V Installation dimension sheet

| Model  | D1   | D2   | D3   | L    | M1   | M2   | M3   | H   | n×φ1   | φ2  |
|--------|------|------|------|------|------|------|------|-----|--------|-----|
| LWB4   | 410  | 440  | 470  | 380  | 340  | 310  | 370  | 280 | 6×φ10  | φ14 |
| LWB4.5 | 460  | 490  | 520  | 400  | 366  | 300  | 380  | 300 | 8×φ11  | φ14 |
| LWB5   | 510  | 540  | 570  | 440  | 405  | 340  | 420  | 325 | 8×φ11  | φ14 |
| LWB6   | 610  | 640  | 670  | 490  | 436  | 430  | 510  | 385 | 10×φ11 | φ14 |
| LWB7   | 710  | 745  | 780  | 550  | 495  | 500  | 600  | 440 | 12×φ12 | φ14 |
| LWB8   | 810  | 852  | 890  | 740  | 685  | 560  | 660  | 500 | 12×φ12 | φ18 |
| LWB9   | 910  | 942  | 980  | 740  | 685  | 700  | 800  | 560 | 12×φ12 | φ18 |
| LWB10  | 1000 | 1042 | 1080 | 870  | 814  | 750  | 850  | 640 | 12×φ12 | φ18 |
| LWB11  | 1100 | 1142 | 1180 | 860  | 784  | 800  | 1000 | 680 | 14×φ12 | φ18 |
| LWB12  | 1210 | 1256 | 1290 | 1100 | 1034 | 1000 | 1100 | 700 | 14×φ12 | φ18 |
| LWB13  | 1310 | 1350 | 1390 | 1130 | 1064 | 1100 | 1200 | 750 | 16×φ13 | φ18 |

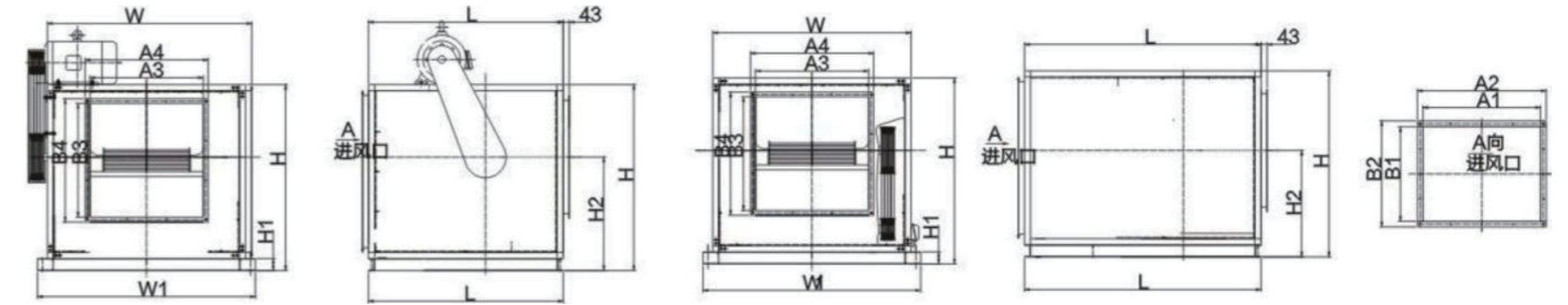
## The main parameters

| Model     | Speed (r/min) | Dual-speed motor(kw) | Single-speed motor(kw) | Air volume (m³/h)       | Total pressure (Pa) | Noise [dB(A)] |
|-----------|---------------|----------------------|------------------------|-------------------------|---------------------|---------------|
| LWB3-01   | 2900/1450     | /                    | 2.2/0.25               | 4652-3212/2312-1606     | 512-883/121-236     | ≤73/≤66       |
| LWB4-01   | 2900/1450     | /                    | 4/0.37                 | 7228-5242/4512-2765     | 654-1248/128-285    | ≤78/≤71       |
| LWB4.5-01 | 2900/1450     | /                    | 5.5/0.55               | 9169-7124/4728-3160     | 672-1298/182-306    | ≤80/≤73       |
| LWB5-01   | 2900/1450     | 5.5/4.5              | 5.5/1.1                | 13110-9876/8652-4896    | 801-1316/196-382    | ≤83/≤77       |
| LWB6-01   | 2900/1450     | 8/6.5                | 7.5/1.5                | 19230-15210/11625-7560  | 836-1365/165-382    | ≤85/≤79       |
| LWB7-01   | 1450/960      | 2.8/2.2              | 3/1.1                  | 18800-11780/13820-8246  | 329-470/186-278     | ≤82/≤74       |
| LWB8-01   | 1450/960      | 11/9                 | 15/4                   | 37350-28564/25467-16269 | 809-1305/193-516    | ≤90/≤82       |
| LWB9-01   | 1450/960      | 17/8                 | 18.5/5.5               | 46138-33579/34206-22011 | 785-1343/282-564    | ≤92/≤86       |
| LWB10-01  | 1450/960      | 24/8                 | 18.5/7.5               | 51821-40528/44054-29902 | 792-1378/288-496    | ≤93/≤86       |
| LWB11-01  | 1450/960      | 24/8                 | 22/11                  | 59521-48177/48729-35294 | 806-1382/310-516    | ≤94/≤86       |
| LWB12-01  | 960/720       | 25/12                | 22/15                  | 71092-55852/64292-47534 | 786-1308/429-635    | ≤95/≤91       |
| LWB13-01  | 960/720       | 30/18.5              | 30/15                  | 87761-68652/71565-63699 | 805-1329/441-508    | ≤95/≤91       |

## Fire Fighting/Ventilating Double Functions Centrifugal Fan Box

### Product Characteristic

DF(HTFC)Serial low-noise fan box is a novel cabinet type fan selfly developed and manufactured by our factory on the basis of digesting and absorbing the advanced technology from the same kind products both at home and abroad. The box adopts the removable structure, The box plate utilizes the superior steel plartefor its bending. It is inner lined with the composite noise blanking materials such as glass cotton, woven glass fabric, punched plate and so on. It has the Characteristics such as low noise, high pressure coefficient, large discharge facto smooth performance curve, pleasing asspearance, easy installation etc. It is divided into motor inner mounting (A)and outer(B)two forms .It is applicable for the Ventilation & scavengig occasions such as gues thouse, restaurant, auditorium, cinema. factory workshop, office building and so forth.



### Mounting dimensions

| Model | A1   | A2   | B1   | B2   | A3  | A4   | B3  | B4  | Type A | Type B | W    | W1   | H    | H1  | H2   |
|-------|------|------|------|------|-----|------|-----|-----|--------|--------|------|------|------|-----|------|
| LWC9  | 490  | 550  | 440  | 500  | 340 | 400  | 271 | 331 | 550    | 800    | 600  | 700  | 600  | 50  | 390  |
| LWC10 | 510  | 570  | 490  | 550  | 356 | 416  | 305 | 365 | 600    | 880    | 620  | 720  | 650  | 50  | 416  |
| LWC12 | 640  | 700  | 520  | 580  | 404 | 464  | 404 | 464 | 760    | 1000   | 760  | 880  | 700  | 60  | 428  |
| LWC15 | 740  | 800  | 580  | 640  | 430 | 490  | 420 | 480 | 840    | 1080   | 860  | 980  | 760  | 60  | 480  |
| LWC18 | 860  | 920  | 680  | 740  | 560 | 620  | 500 | 560 | 960    | 1220   | 1000 | 1120 | 880  | 60  | 555  |
| LWC20 | 980  | 1040 | 840  | 900  | 625 | 685  | 630 | 690 | 980    | 1380   | 1120 | 1240 | 1040 | 60  | 652  |
| LWC22 | 1080 | 1140 | 890  | 950  | 625 | 685  | 640 | 700 | 1170   | 1420   | 1240 | 1360 | 1130 | 80  | 716  |
| LWC25 | 1220 | 1280 | 960  | 1020 | 720 | 780  | 670 | 730 | 1300   | 1560   | 1380 | 1500 | 1200 | 80  | 775  |
| LWC28 | 1360 | 1420 | 1160 | 1220 | 760 | 820  | 700 | 760 | 1460   | 1760   | 1520 | 1680 | 1420 | 100 | 989  |
| LWC30 | 1470 | 1530 | 1270 | 1330 | 930 | 990  | 820 | 880 | 1600   | 1840   | 1630 | 1790 | 1530 | 100 | 1026 |
| LWC33 | 1600 | 1660 | 1400 | 1460 | 940 | 1000 | 950 | 890 | 1760   | 2050   | 1760 | 1920 | 1660 | 100 | 1125 |

### The main parameters

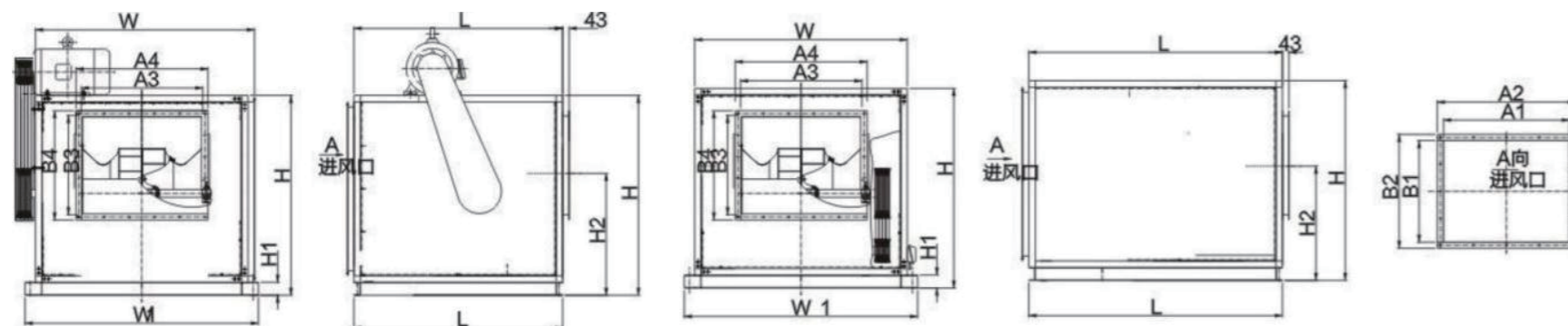
| Model    | Speed (r/min)          | Air volume (m³/h)                                 | Total pressure (Pa)                | Power (kw)           | Noise [dB(A)]      |
|----------|------------------------|---|------------------------------------|----------------------|--------------------|
| LWC9-01  | 1000/1200<br>1400/1600 | 3146-1654/3845-2021<br>4544-2389/5243-2756        | 125/168/187-251<br>261-350/348-466 | 0.55/0.75<br>1.1/1.5 | ≤56/≤57<br>≤58/≤62 |
| LWC10-01 | 900/1100<br>1300/1500  | 3675-1838/4492-2246<br>5308-2654/6425-3063        | 166-216/248-323<br>247-451/462-601 | 0.75/1.1<br>1.5/2.2  | ≤56/≤57<br>≤59/≤63 |
| LWC12-01 | 960/1100<br>1200/1400  | 6014-3328/6682-3697<br>7350-4067/8018-4437        | 252-311/311-384<br>376-465/448-553 | 1.5/2.2<br>3/4       | ≤60/≤60<br>≤62/≤64 |
| LWC15-01 | 800/900<br>1000/1200   | 9447-4767/10628-5363<br>11809-5958/12399-6256     | 293-368/371-466<br>485-575/505-634 | 2.2/3<br>4/5.5       | ≤63/≤65<br>≤65/≤66 |
| LWC18-01 | 600/700<br>800/900     | 10813-5782/12615-6747<br>14417-7709/16550-8850    | 225-277/307-377<br>401-492/507-620 | 2.2/3<br>5.5/7.5     | ≤60/≤61<br>≤63/≤65 |
| LWC20-01 | 550/600<br>700/840     | 13839-7580/15097-8269<br>17613-9647/21567-11813   | 233-317/278-377<br>378-514/790-736 | 3/4<br>5.5/7.5       | ≤60/≤61<br>≤63/≤65 |
| LWC22-01 | 500/550<br>650/750     | 16442-9640/18086-10064<br>21375-12531/24663-14459 | 214-288/259-348<br>362-487/481-648 | 4/5.5<br>7.5/11      | ≤64/≤66<br>≤69/≤72 |

| Model    | Speed (r/min)      | Air volume (m³/h)                                  | Total pressure (Pa)                | Power (kw)       | Noise [dB(A)]      |
|----------|--------------------|--|------------------------------------|------------------|--------------------|
| LWC25-01 | 450/500<br>600/650 | 22649-13230/25165-14700<br>30198-17640/32715-19110 | 201-272/248-336<br>357-483/419-567 | 5.5/7.5<br>11/15 | ≤70/≤71<br>≤73/≤75 |
| LWC28-01 | 480/540<br>580/660 | 33495-21177/37681-23824<br>40473-25588/46055-29118 | 301-389/380-492<br>481-568/568-735 | 7.5/11<br>15/22  | ≤71/≤72<br>≤73/≤75 |
| LWC30-01 | 420/530<br>600/640 | 37851-22484/47765-28872<br>54073-32120/57575-33130 | 274-356/437-566<br>560-726/913/896 | 7.5/15<br>22/30  | ≤70/≤73<br>≤77/≤78 |
| LWC33-01 | 450/500            | 46740-56930/51340-61880                            | 591-564/722-682                    | 22/30            | ≤75/≤78            |

## Fire Fighting/Ventilating Double Functions Backwards Centrifugal Fan Box

### Product Characteristic

This Series Centrifugal Fan Box is a newly developed double functions backwards centrifugal fan box with advanced technology. Its impeller consists of 24 pieces of backwards welded blades. It has features as large air volume, high pressure, long use life, its life 100% longer than that with multi-vaned type fan. It adopts silencer sponges, silencer cloth, perforated plate etc to low down the noise. This series fan box have two types Type A (motor outside) used for fire fighting and smoke exhausting; Type B (Motor inside) mainly used for air exhausting or supply. It is widely used for fire fighting and smoke exhausting, ventilating and air exchanging for hotels, restaurants, entertainment places, buildings, supermarkets, office blocks, etc.



### Mounting dimensions

| Model  | A1   | A2   | B1   | B2   | A3  | A4  | B3  | B4  | L    | W    | W1   | H    | H1  | H2  |
|--------|------|------|------|------|-----|-----|-----|-----|------|------|------|------|-----|-----|
| LWD9O  | 490  | 550  | 450  | 510  | 315 | 375 | 305 | 365 | 750  | 600  | 700  | 610  | 50  | 377 |
| LWD9I  | 590  | 650  | 450  | 510  | 315 | 375 | 305 | 365 | 1000 | 700  | 800  | 610  | 50  | 377 |
| LWD10O | 630  | 690  | 500  | 560  | 360 | 420 | 345 | 405 | 700  | 740  | 840  | 660  | 50  | 402 |
| LWD10I | 630  | 690  | 500  | 560  | 360 | 420 | 345 | 405 | 1000 | 740  | 840  | 660  | 50  | 402 |
| LWD12O | 700  | 760  | 610  | 670  | 420 | 480 | 345 | 405 | 750  | 820  | 920  | 790  | 60  | 520 |
| LWD12I | 700  | 760  | 610  | 670  | 420 | 480 | 345 | 405 | 950  | 820  | 920  | 790  | 60  | 520 |
| LWD15O | 790  | 850  | 730  | 790  | 500 | 560 | 490 | 550 | 1080 | 910  | 1030 | 910  | 60  | 545 |
| LWD15I | 790  | 850  | 730  | 790  | 500 | 560 | 490 | 550 | 1180 | 910  | 1030 | 910  | 60  | 545 |
| LWD18O | 810  | 870  | 785  | 845  | 570 | 630 | 560 | 620 | 1200 | 950  | 1070 | 985  | 60  | 600 |
| LWD18I | 860  | 920  | 785  | 845  | 570 | 630 | 560 | 620 | 1200 | 1000 | 1120 | 985  | 80  | 600 |
| LWD20I | 1060 | 1120 | 930  | 990  | 635 | 695 | 620 | 680 | 1200 | 1200 | 1320 | 1150 | 80  | 745 |
| LWD20O | 1060 | 1120 | 930  | 990  | 635 | 695 | 620 | 680 | 1400 | 1200 | 1320 | 1150 | 80  | 745 |
| LWD22I | 1160 | 1220 | 960  | 1020 | 715 | 775 | 695 | 755 | 1250 | 1320 | 1440 | 1200 | 80  | 750 |
| LWD22O | 1160 | 1220 | 960  | 1020 | 715 | 775 | 695 | 755 | 1500 | 1320 | 1440 | 1200 | 80  | 750 |
| LWD25I | 1340 | 1400 | 1160 | 1220 | 803 | 863 | 780 | 840 | 1300 | 1500 | 1660 | 1400 | 80  | 855 |
| LWD25O | 1340 | 1400 | 1160 | 1220 | 803 | 863 | 780 | 840 | 1670 | 1500 | 1660 | 1400 | 80  | 855 |
| LWD28I | 1500 | 1560 | 1260 | 1320 | 906 | 966 | 951 | 891 | 1500 | 1660 | 1820 | 1520 | 100 | 940 |
| LWD28O | 1500 | 1560 | 1260 | 1320 | 906 | 966 | 951 | 891 | 1700 | 1660 | 1820 | 1520 | 100 | 940 |

### The main parameters

| Model    | Speed (r/min)          | Power (kw)                | Air volume (m³/h)                              | Total pressure (Pa)                   | Noise [dB(A)]  |
|----------|------------------------|---------------------------|--|---------------------------------------|----------------|
| LWD9-01  | 3600/2800<br>2000      | 3-2/1.5-2<br>0.55-4       | 5071-2300/3892-1742<br>2816-1242               | 924-1552/559-939<br>285-479           | 70/68<br>62    |
| LWD10-01 | 3600/2800<br>2000/1800 | 4.2/2.2-2<br>1.1-4/0.75-4 | 6700-3276/5491-2438<br>3923-1714/3530-1638     | 1140-1940/689-1174<br>352-599/285-485 | 73/68<br>62/61 |
| LWD12-01 | 2800/2400<br>2000/1800 | 4-2/2.2-2<br>1.5-4/1.1-4  | 7893-3608/6765-3112<br>5894-2481/5073-2333     | 887-1462/652-1074<br>453-746/366-599  | 74/67<br>65/60 |
| LWD15-01 | 2000/1800<br>1600/1400 | 4-4/3-4<br>2.2-4/1.5-4    | 11825-5390/10643-4851<br>9460-4313/8278-3773   | 765-1306/620-1058<br>490-836/375-640  | 66/65<br>63/62 |
| LWD18-01 | 1800/1600<br>1400/1200 | 5.5-4/4-4<br>3-4/2.2-4    | 15203-6801/13513-6046<br>11828-5090/10135-4533 | 793-1322/626-1044<br>480-800/352-587  | 70/68<br>65/64 |
| LWD20-01 | 1800/1400<br>1200/1000 | 11-4/5.5-4<br>3-4/2.2-4   | 21450-9703/16683-7546<br>14200-6188/11916-5390 | 776-1297/594-993<br>437-730/303-506   | 73/70<br>65/64 |

| Model    | Speed (r/min)          | Power (kw)               | Air volume (m³/h)                                  | Total pressure (Pa)                  | Noise [dB(A)]  |
|----------|------------------------|--------------------------|--|--------------------------------------|----------------|
| LWD22-01 | 1600/1400<br>1200/1000 | 11-4/7.5-4<br>5.5-4/3-4  | 26694-11564/23356-10119<br>20020-9068/16684-7557   | 975-1676/746-1283<br>548-915/381-655 | 75/71<br>70/68 |
| LWD25-01 | 1400/1200<br>1000/900  | 15-4/11-4<br>5.5-4/4-4   | 33058-15205/28336-13033<br>23613-10860/21252-9775  | 946-1589/695-1168<br>482-811/391-657 | 78/74<br>69/62 |
| LWD28-01 | 1200/1000<br>900/800   | 15-4/11-4<br>7.5-4/5.5-4 | 39600-18208/33611-15173<br>31625-13063/26888-11611 | 871-1486/604-1032<br>490-836/387-660 | 75/73<br>66/64 |

## Double Inlets Centrifugal Fan Box

### Product Characteristic

Impeller: Backward single-plate mpeller. Convenient for clean.  
 Noise: 10% lower than similar fans. Suitable Air: Non-hypergolic, non-corrosive, dustiness <120mg/m',-20℃ <air temperature < 85℃.  
 Application: Suitable for kitchen lampblack exhausting and using with smoke purifier.



### The main parameters

| Model      | Power (kw) | Speed (r/min) | Air volume (m³/h) | Total pressure (Pa) | Static pressure (Pa) |
|------------|------------|---------------|-------------------|---------------------|----------------------|
| LWE3.6E-01 | 0.55-4≡    | 1250          | 3152-5102         | 300-122             | 290-87               |
| LWE3.6E-02 | 0.75-4≡    | 1450          | 3565-5919         | 405-165             | 390-117              |
| LWE3.6E-03 | 1.1-4≡     | 1600          | 4035-6531         | 493-201             | 475-142              |
| LWE3.6E-04 | 1.5-4≡     | 1800          | 4540-7347         | 624-254             | 600-180              |
| LWE3.6E-05 | 2.2-4≡     | 2000          | 5043-8163         | 770-314             | 742-222              |
| LWE3.6E-06 | 3-4≡       | 2200          | 5548-8979         | 932-380             | 898-270              |
| LWE3.6E-07 | 4-4≡       | 2400          | 6102-9877         | 1128-460            | 1086-352             |
| LWE3.6E-08 | 5.5-4≡     | 2600          | 6712-10865        | 1364-556            | 1314-394             |
| LWE4.0E-01 | 0.75-4≡    | 1250          | 3997-6929         | 467-172             | 452-124              |
| LWE4.0E-02 | 1.1-4≡     | 1450          | 4636-8038         | 627-231             | 608-166              |
| LWE4.0E-03 | 1.5-4≡     | 1600          | 5116-8870         | 764-282             | 740-204              |
| LWE4.0E-04 | 2.2-4≡     | 1800          | 5756-9979         | 968-357             | 937-257              |

| Model      | Power (kw) | Speed (r/min) | Air volume (m³/h) | Total pressure (Pa) | Static pressure (Pa) |
|------------|------------|---------------|-------------------|---------------------|----------------------|
| LWE4.0E-05 | 3-4≡       | 2000          | 6395-11087        | 1194-440            | 1157-317             |
| LWE4.0E-06 | 4-4≡       | 2250          | 7195-12474        | 1512-557            | 1464-401             |
| LWE4.0E-07 | 5.5-4≡     | 2400          | 7674-13305        | 1720-634            | 1666-456             |
| LWE4.5E-01 | 1.1-4≡     | 1250          | 6147-9950         | 467-188             | 46-143               |
| LWE4.5E-02 | 1.5-4≡     | 1450          | 7140-11558        | 629-255             | 612-192              |
| LWE4.5E-03 | 2.2-4≡     | 1600          | 7873-12744        | 765-309             | 744-234              |
| LWE4.5E-04 | 3-4≡       | 1800          | 8866-14351        | 969-391             | 943-296              |
| LWE4.5E-05 | 4-4≡       | 2000          | 9847-15939        | 1196-483            | 1165-366             |
| LWE4.5E-06 | 5.5-4≡     | 2200          | 11076-17929       | 1513-611            | 1473-463             |
| LWE4.5E-07 | 7.5-4≡     | 2400          | 11821-19315       | 1722-695            | 1676-527             |
| LWE5.0E-01 | 2.2-4≡     | 1120          | 9413-14752        | 635-268             | 653-203              |
| LWE5.0E-02 | 3-4≡       | 1250          | 10538-16514       | 791-334             | 777-254              |
| LWE5.0E-03 | 4-4≡       | 1450          | 12225-19158       | 1065-450            | 1045-341             |
| LWE5.0E-04 | 5.5-4≡     | 1600          | 13484-21131       | 1297-548            | 1272-415             |
| LWE5.0E-05 | 7.5-4≡     | 1800          | 15170-23775       | 1641-693            | 1610-525             |
| LWE5.0E-06 | 11-4≡      | 2000          | 16862-26425       | 2026-856            | 1988-649             |
| LWE5.0E-07 | 15-4≡      | 2250          | 18961-29706       | 2563-1083           | 2515-821             |
| LWE5.0E-08 | 18.5-4≡    | 2400          | 18522-31706       | 2917-1233           | 2862-934             |
| LWE5.6E-01 | 2.2-4≡     | 1000          | 9702-15401        | 532-217             | 461-168              |
| LWE5.6E-02 | 3-4≡       | 1120          | 10843-17212       | 668-273             | 579-211              |
| LWE5.6E-03 | 4-4≡       | 1250          | 12139-19268       | 832-340             | 721-263              |
| LWE5.6E-04 | 5.5-4≡     | 1450          | 14082-22353       | 1120-457            | 970-354              |
| LWE5.6E-05 | 7.5-4≡     | 1600          | 15532-24655       | 1361-556            | 1181-431             |
| LWE5.6E-06 | 11-4≡      | 1800          | 17476-27740       | 1726-704            | 1495-546             |
| LWE5.6E-07 | 15-4≡      | 2000          | 19423-30831       | 2131-869            | 1845-673             |
| LWE5.6E-08 | 18.5-4≡    | 2250          | 21841-34670       | 2696-1100           | 2335-852             |
| LWE5.6E-09 | 22-4≡      | 2400          | 23306-36994       | 3068-1252           | 2657-970             |
| LWE6.0E-01 | 4-4≡       | 1000          | 12214-21072       | 686-257             | 671-181              |
| LWE6.0E-02 | 5.5-4≡     | 1120          | 13679-23602       | 861-322             | 842-227              |
| LWE6.0E-03 | 7.5-4≡     | 1250          | 15267-26340       | 1071-401            | 1049-283             |
| LWE6.0E-04 | 11-4≡      | 1450          | 17710-30555       | 1443-540            | 1441-381             |

| Model      | Power (kw) | Speed (r/min) | Air volume (m³/h) | Total pressure (Pa) | Static pressure (Pa) |
|------------|------------|---------------|-------------------|---------------------|----------------------|
| LWE6.0E-05 | 15-4       | 1600          | 19542-33716       | 1757-657            | 1718-464             |
| LWE6.0E-06 | 18.5-4     | 1800          | 21985-37930       | 2224-832            | 2174-587             |
| LWE6.0E-07 | 22-4       | 2000          | 24427-42144       | 2745-1027           | 2684-725             |
| LWE6.0E-08 | 30-4       | 2200          | 26870-46359       | 3322-1243           | 3248-877             |
| LWE7.0E-01 | 5.5-4      | 1000          | 14976-27734       | 789-422             | 711-367              |
| LWE7.0E-02 | 7.5-4      | 1120          | 16773-31062       | 989-529             | 966-460              |
| LWE7.0E-03 | 11-4       | 1250          | 18720-34667       | 1233-660            | 1205-574             |
| LWE7.0E-04 | 15-4       | 1300          | 19469-36054       | 1333-713            | 1302-620             |
| LWE7.0E-05 | 18.5-4     | 1450          | 21715-40214       | 1794-960            | 1751-835             |
| LWE7.0E-06 | 22-4       | 1600          | 23962-44374       | 2020-1081           | 1973-940             |
| LWE7.0E-07 | 30-4       | 1800          | 26957-49920       | 2557-1369           | 2497-1190            |
| LWE8.0E-01 | 5.5-4      | 900           | 17527-33049       | 868-555             | 860-493              |
| LWE8.0E-02 | 7.5-4      | 1000          | 19474-37121       | 1071-686            | 1063-602             |
| LWE8.0E-03 | 11-4       | 1120          | 21811-41576       | 1334-860            | 1333-756             |
| LWE8.0E-04 | 15-4       | 1250          | 24341-46399       | 1674-1072           | 1660-942             |
| LWE8.0E-05 | 18.5-4     | 1320          | 25704-48997       | 1867-1194           | 1851-1049            |
| LWE8.0E-06 | 22-4       | 1450          | 28236-53823       | 2252-1441           | 2234-1267            |
| LWE8.0E-07 | 30-4       | 1600          | 31157-59391       | 2743-1755           | 2720-1543            |
| LWE9.0E-01 | 7.5-4      | 720           | 22895-40940       | 797-560             | 791-514              |
| LWE9.0E-02 | 11-4       | 830           | 26393-47195       | 1059-744            | 1051-683             |
| LWE9.0E-03 | 15-4       | 900           | 29692-53094       | 1341-942            | 1298-843             |
| LWE9.0E-04 | 18.5-4     | 1000          | 32990-58993       | 1655-1162           | 1602-1040            |
| LWE9.0E-05 | 22-4       | 1120          | 36950-66072       | 2076-1458           | 2010-1306            |
| LWE9.0E-06 | 30-4       | 1250          | 39748-71076       | 2402-1688           | 2384-1549            |
| LWE9.0E-07 | 37-4       | 1320          | 41974-75056       | 2679-1882           | 2659-1727            |
| LWE9.0E-08 | 45-4       | 1450          | 46108-82449       | 3232-2271           | 3208-2085            |
| LWE9.0E-09 | 55-4       | 1560          | 49606-88703       | 3741-2629           | 3713-2413            |