



## **Professional HVAC Fan & Motors Manufacturer**

—— Condenser Cooling Fans

### **Ningbo Longwell Electric Technology Co.,Ltd**

TEL:+86 (574) 6218 9863

Skype : Brucehappy1

Fax:+86 18358274663

Whatsapp:+0086 18358274663

E-mail:sales@zjlongwell.com

Web:<https://www.longwellfans.com/>

Address:#NO.100 ,South of Xuxiang River ,Ditang District, Yuyao,Ningbo  
Zhejiang Province,China 315400

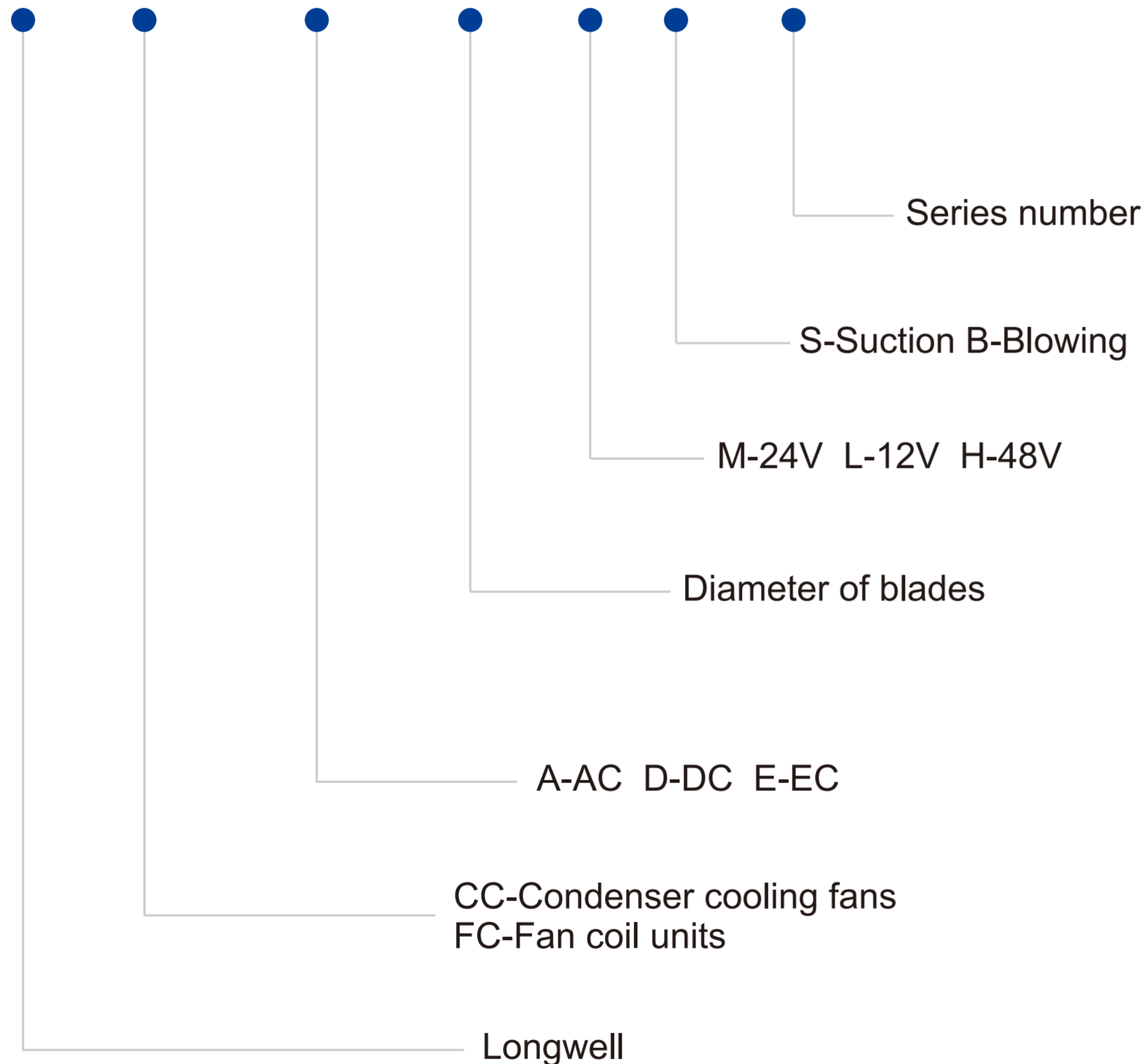


## CATALOGUE

|       |  |
|-------|--|
| 01    | Type Code                              |
| 02-07 | Condenser Cooling Fans(Fan coil units) |
| 08-34 | Condenser Cooling Fans(Axial flow)     |

# Type Code

LW FC - DC 190 M S - 01

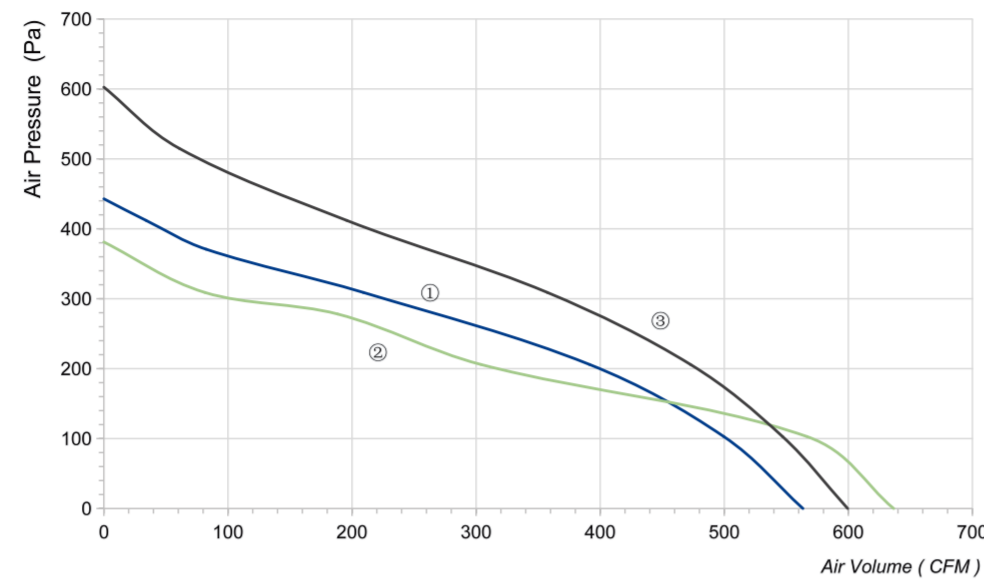


## Condenser Cooling Fans(Fan coil units)

Professional HVAC Fan & Motors Manufacturer



## LWFC-DC097

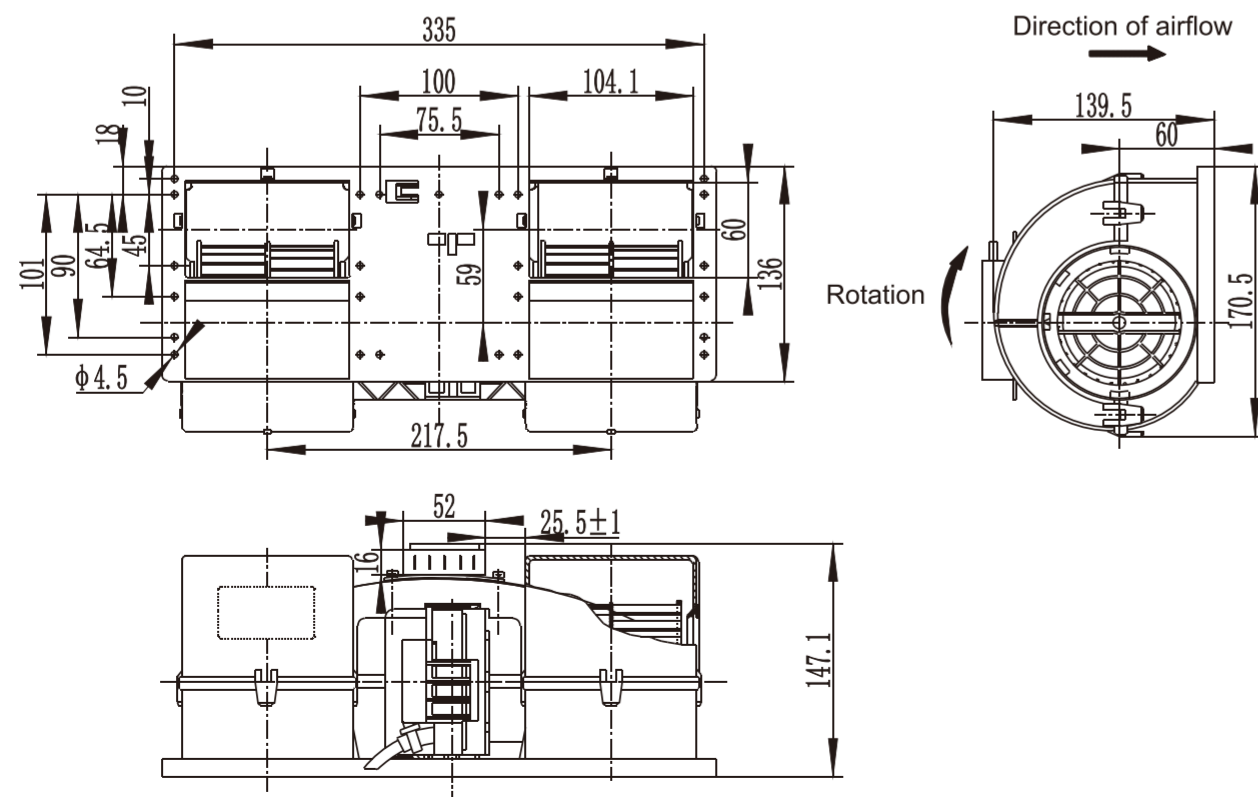


### Product Characteristic

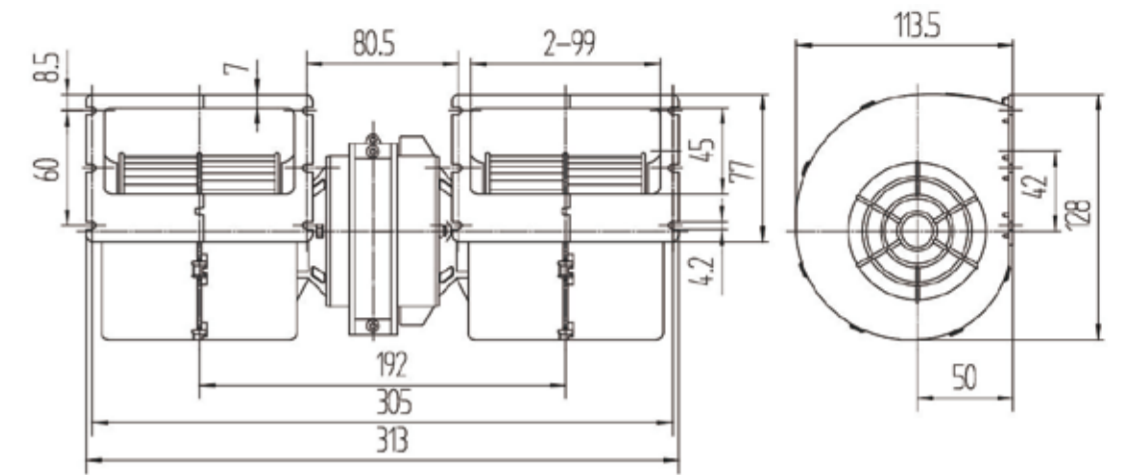
- Material: Plastic PA66
- Direction of rotation: CW(Viewed from the lead wire)
- Bearing: Maintenance-free ball bearings
- Technical features: Equipped with a 4-speed resistor speed controller, speed feedback signal, stall protection, current limiting, and soft start
- Type of protection: IP24
- Operation temperature: -40°C-65°C

### Technical Specifications

| Model          | Voltage (V) | Air Pressure (Pa) | Air Volume (m³/h) | Air Volume (CFM) | Speed (RPM) | Power (W) | Current (A) | Noise [dB(A)] | Curve |
|----------------|-------------|-------------------|-------------------|------------------|-------------|-----------|-------------|---------------|-------|
| LWFC-DC097M-01 | 26          | 443               | 930               | 563              | 3200        | 170       | 6.5         | 65            | ①     |
| LWFC-DC097M-02 | 27          | 381               | 1050              | 637              | 3600        | 260       | 9.6         | 67            | ②     |
| LWFC-DC097M-03 | 24          | 603               | 990               | 599              | 2930        | 200       | 8.3         | 66            | ③     |
|                | 27          | 603               | 1070              | 648              | 3050        | 260       | 9.6         | 67            | ③     |



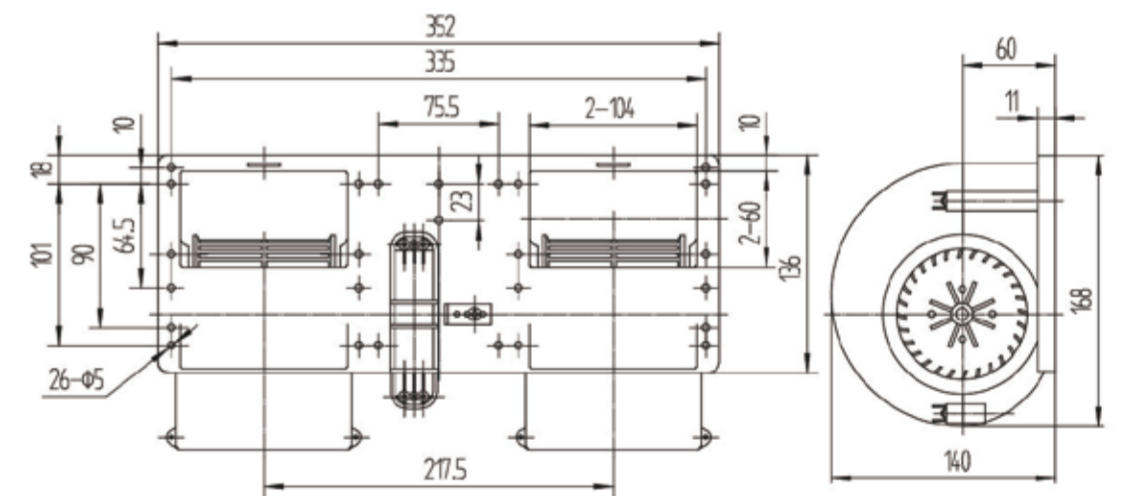
## LWFC-DC86



### Technical Specifications

| Model         | Airflow (m³/h) | Static Pressure (Pa) | Voltage (V) | Current (A) | Speed (rpm) | Remarks |
|---------------|----------------|----------------------|-------------|-------------|-------------|---------|
| LWFC-DC86L-01 | 660            | 100                  | 12          | ≤18         | ≥4500       | Φ86×86  |
| LWFC-DC86M-02 | 660            | 100                  | 24          | ≤8.5        | ≥4500       | Φ86×86  |

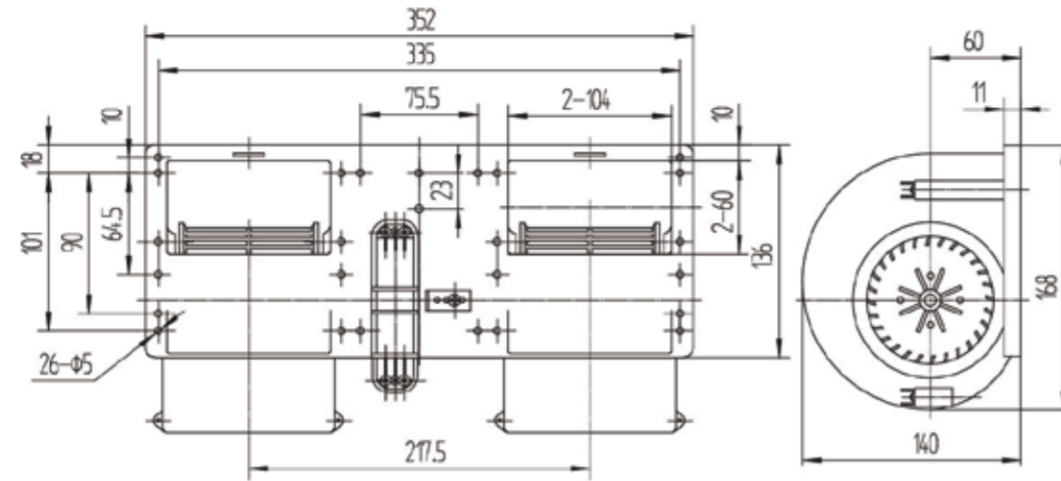
## LWFC-DC105



### Technical Specifications

| Model          | Airflow (m³/h) | Static Pressure (Pa) | Voltage (V) | Current (A) | Speed (rpm) | Remarks |
|----------------|----------------|----------------------|-------------|-------------|-------------|---------|
| LWFC-DC105L-01 | 1000           | 100                  | 12          | ≤24         | ≥3800       | Φ105×89 |
| LWFC-DC105M-02 | 1000           | 100                  | 24          | ≤11         | ≥3800       | Φ105×89 |

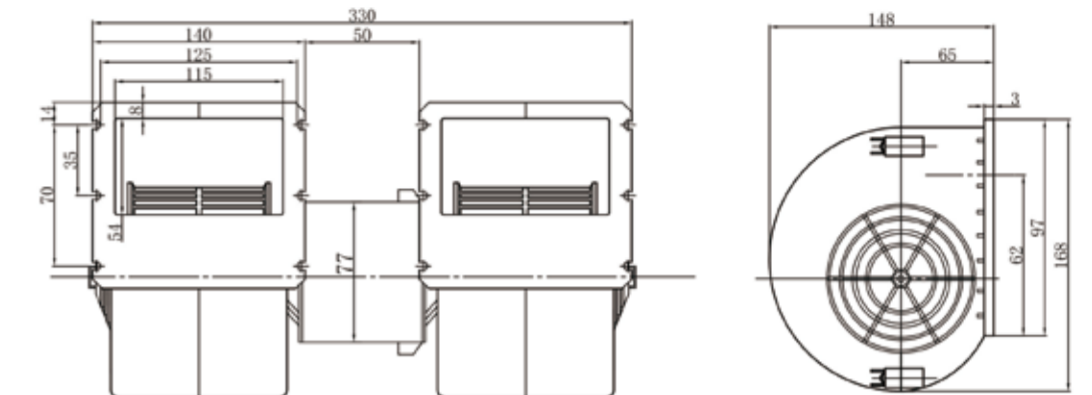
## LWFC-DC105



### Technical Specifications

| Model          | Airflow (m³/h) | Static Pressure (Pa) | Voltage (V) | Current (A) | Speed (rpm) | Remarks |
|----------------|----------------|----------------------|-------------|-------------|-------------|---------|
| LWFC-DC105L-03 | 1000           | 100                  | 12          | ≤24         | ≥3800       | Φ105×89 |
| LWFC-DC105M-04 | 1000           | 100                  | 24          | ≤11         | ≥3800       | Φ105×89 |

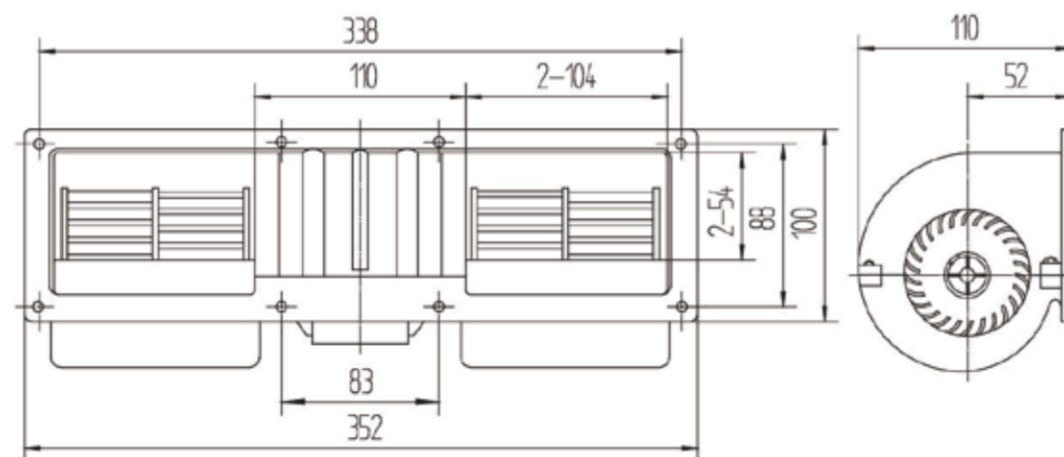
## LWFC-DC105



### Technical Specifications

| Model          | Airflow (m³/h) | Static Pressure (Pa) | Voltage (V) | Current (A) | Speed (rpm) | Remarks |
|----------------|----------------|----------------------|-------------|-------------|-------------|---------|
| LWFC-DC105L-05 | 800            | 100                  | 12          | ≤18         | ≥3800       | Φ105×89 |
| LWFC-DC105M-06 | 800            | 100                  | 24          | ≤9          | ≥3800       | Φ105×89 |

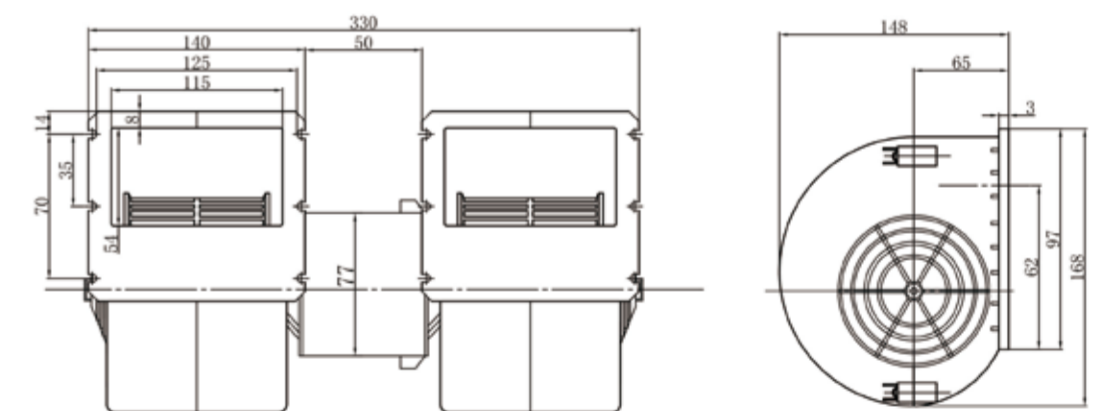
## LWFC-DC82



### Technical Specifications

| Model         | Airflow (m³/h) | Static Pressure (Pa) | Voltage (V) | Current (A) | Speed (rpm) | Remarks |
|---------------|----------------|----------------------|-------------|-------------|-------------|---------|
| LWFC-DC82L-01 | 600            | 100                  | 12          | ≤12         | ≥3500       | Φ82×96  |
| LWFC-DC82M-02 | 600            | 100                  | 24          | ≤6          | ≥3500       | Φ82×96  |

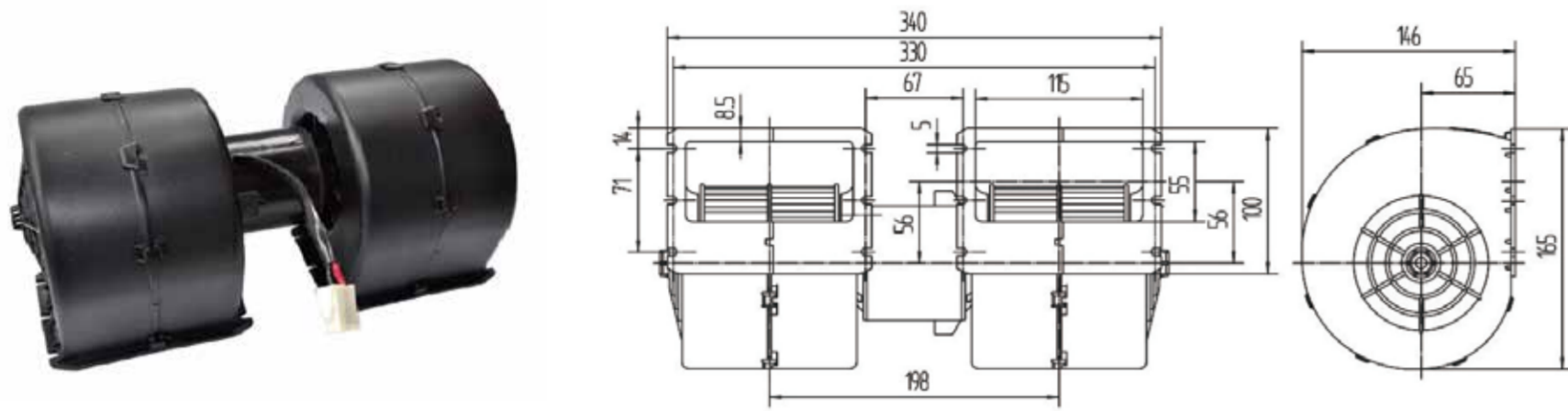
## LWFC-DC105



### Technical Specifications

| Model          | Airflow (m³/h) | Static Pressure (Pa) | Voltage (V) | Current (A) | Speed (rpm) | Remarks |
|----------------|----------------|----------------------|-------------|-------------|-------------|---------|
| LWFC-DC105L-07 | 800            | 100                  | 12          | ≤18         | ≥3800       | Φ105×89 |
| LWFC-DC105M-08 | 800            | 100                  | 24          | ≤9          | ≥3800       | Φ105×89 |

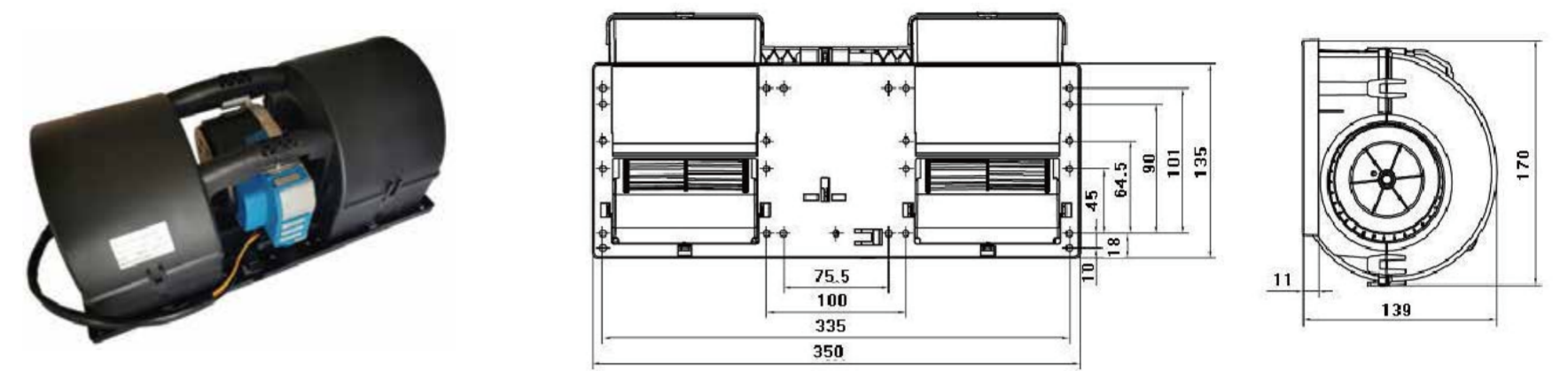
## LWFC-DC105



### Technical Specifications

| Model          | Airflow (m³/h) | Static Pressure (Pa) | Voltage (V) | Current (A) | Speed (rpm) | Remarks |
|----------------|----------------|----------------------|-------------|-------------|-------------|---------|
| LWFC-DC105L-09 | 1000           | 100                  | 12          | ≤24         | ≥3800       | Φ105×89 |
| LWFC-DC105M-10 | 1000           | 100                  | 24          | ≤11         | ≥3800       | Φ105×89 |

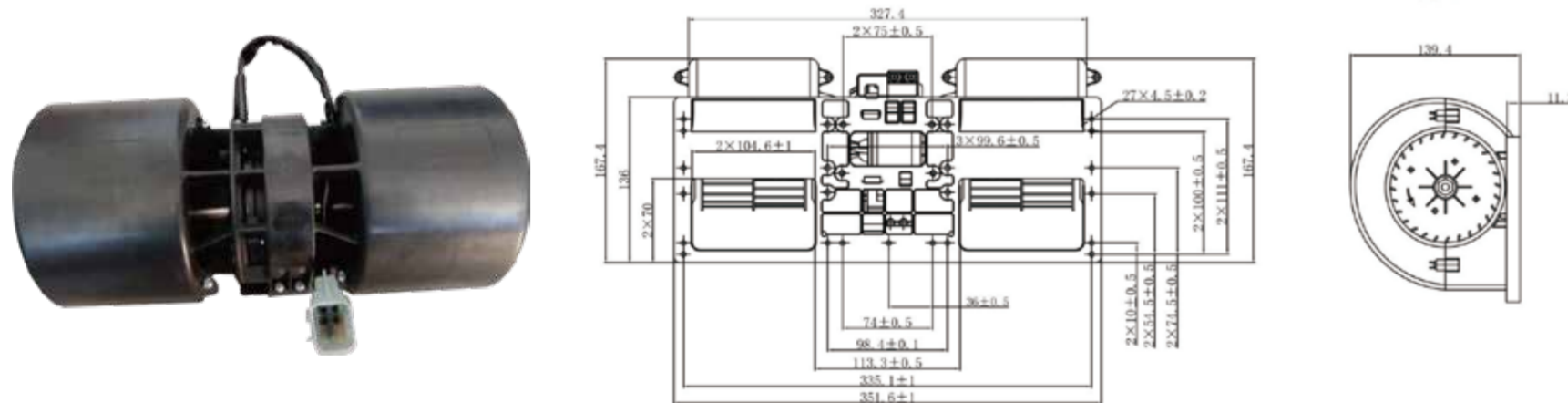
## LWFC-DC\*\*



### Technical Specifications

| Model         | Airflow (m³/h) | Static Pressure (Pa) | Voltage (V) | Current (A) | Speed (rpm) | Remarks   |
|---------------|----------------|----------------------|-------------|-------------|-------------|-----------|
| LWFC-DC**L-01 | 850            | 100                  | 12          | ≤20         | ≥3000       | Brushless |
| LWFC-DC**M-02 | 950            | 100                  | 24          | ≤10         | ≥3300       | Brushless |
| LWFC-DC**H-03 | 950            | 100                  | 48          | ≤5.6        | ≥3300       | Brushless |

## LWFC-DC\*\*



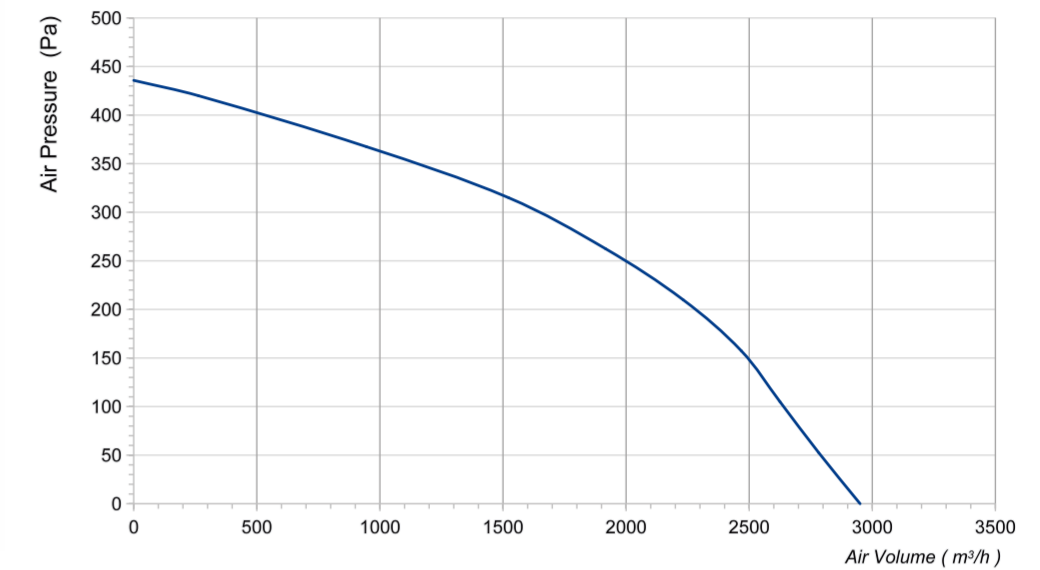
### Technical Specifications

| Model         | Airflow (m³/h) | Static Pressure (Pa) | Voltage (V) | Current (A) | Speed (rpm) | Remarks   |
|---------------|----------------|----------------------|-------------|-------------|-------------|-----------|
| LWFC-DC**M-01 | 1200           | 100                  | 24          | ≤15         | ≥4500       | Brushless |

# Condenser Cooling Fans(Axial flow)

Professional HVAC Fan & Motors Manufacturer

## LWCC-DC305

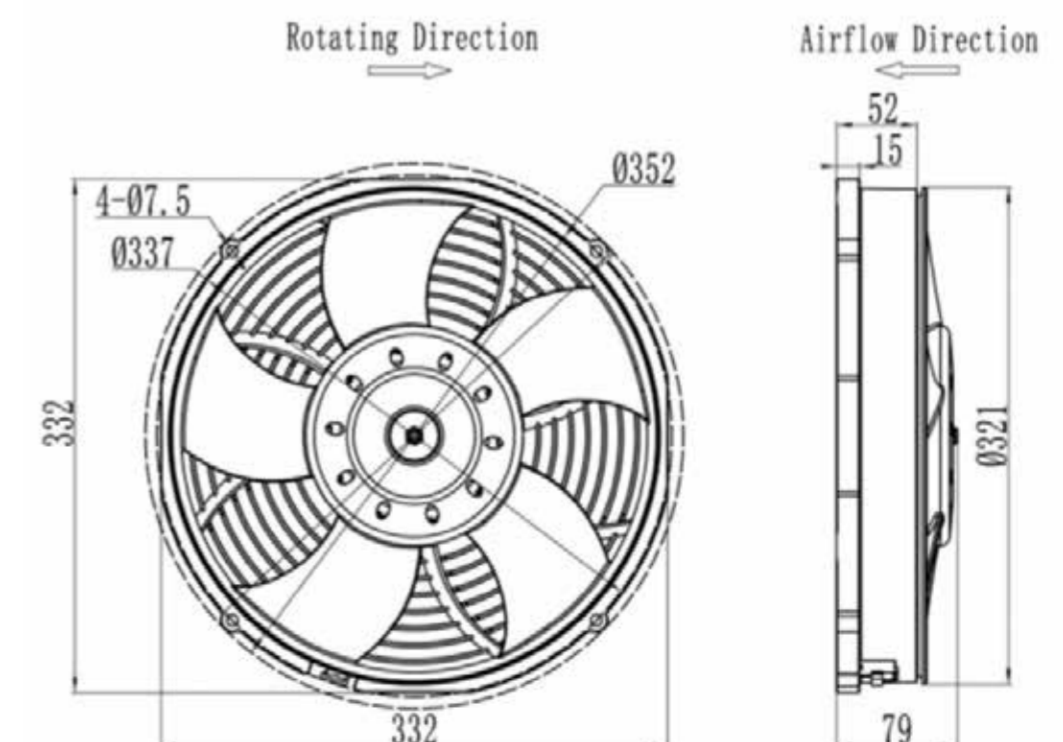


### Product Characteristic

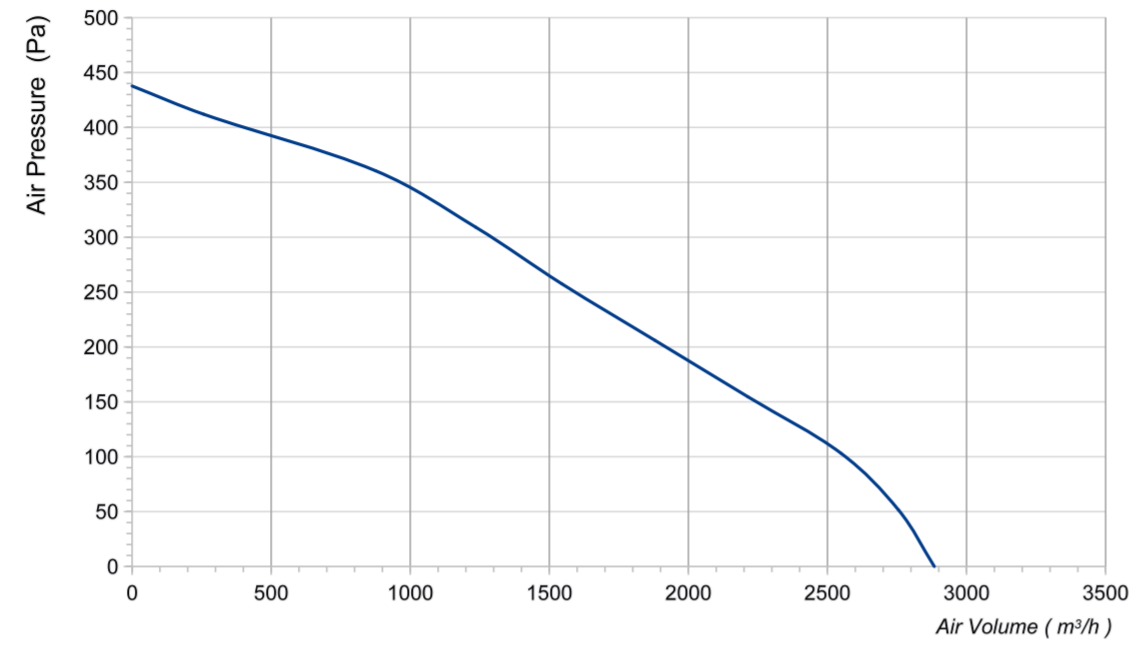
- Material: Plastic PA66
- Motor type: BLEC Motor
- Operation temperature: -40°C~+60°C
- Technical features: Tech output, Locked-Rotor protection, Reverse Polarity, Over-voltage protection, Soft Start Protection
- Type of protection: IP66
- Insulation class: F

### Technical Specifications

| Model           | Voltage (V) | Control Input | Air Pressure (Pa) | Air Volume (m³/h) | Speed (RPM) | Power (W) | Current (A) | Noise [dB(A)] |
|-----------------|-------------|---------------|-------------------|-------------------|-------------|-----------|-------------|---------------|
| LWCC-DC305MB-23 | 24          | DC 10V        | 436               | 2951              | 3340        | 223       | 9.29        | /             |



## LWCC-DC300

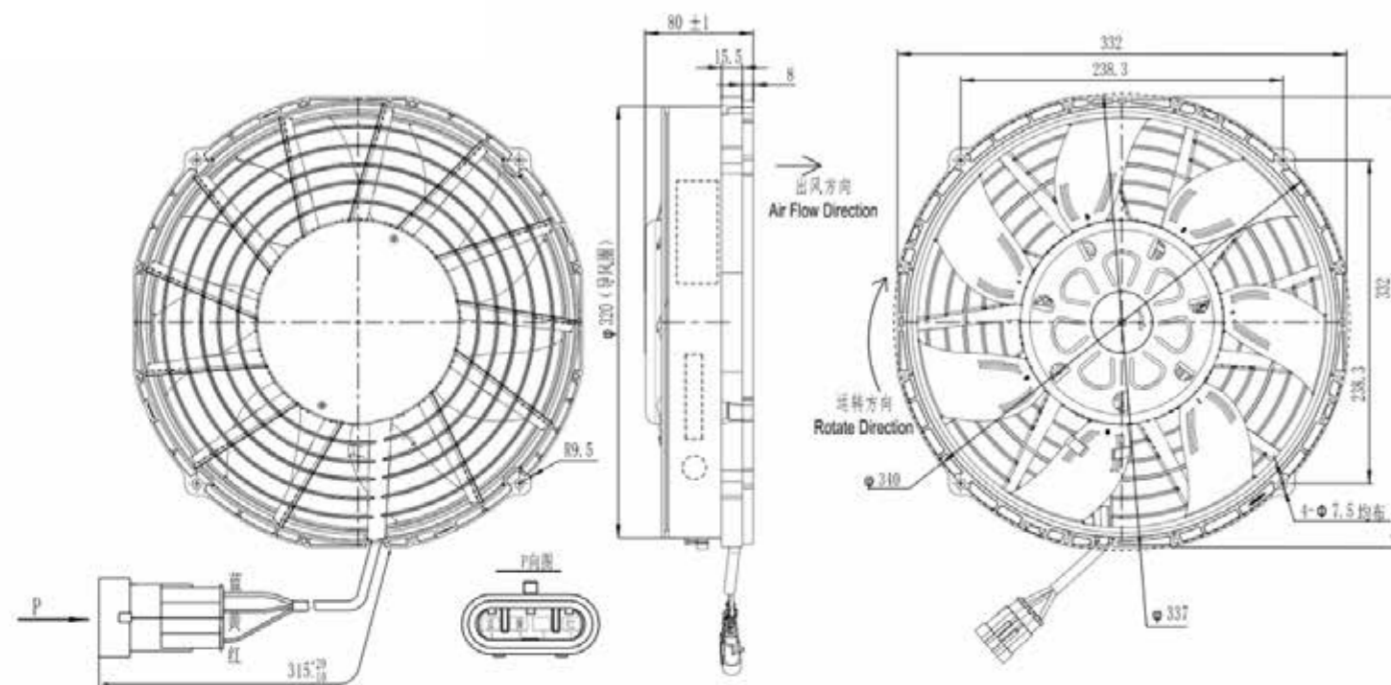


### Product Characteristic

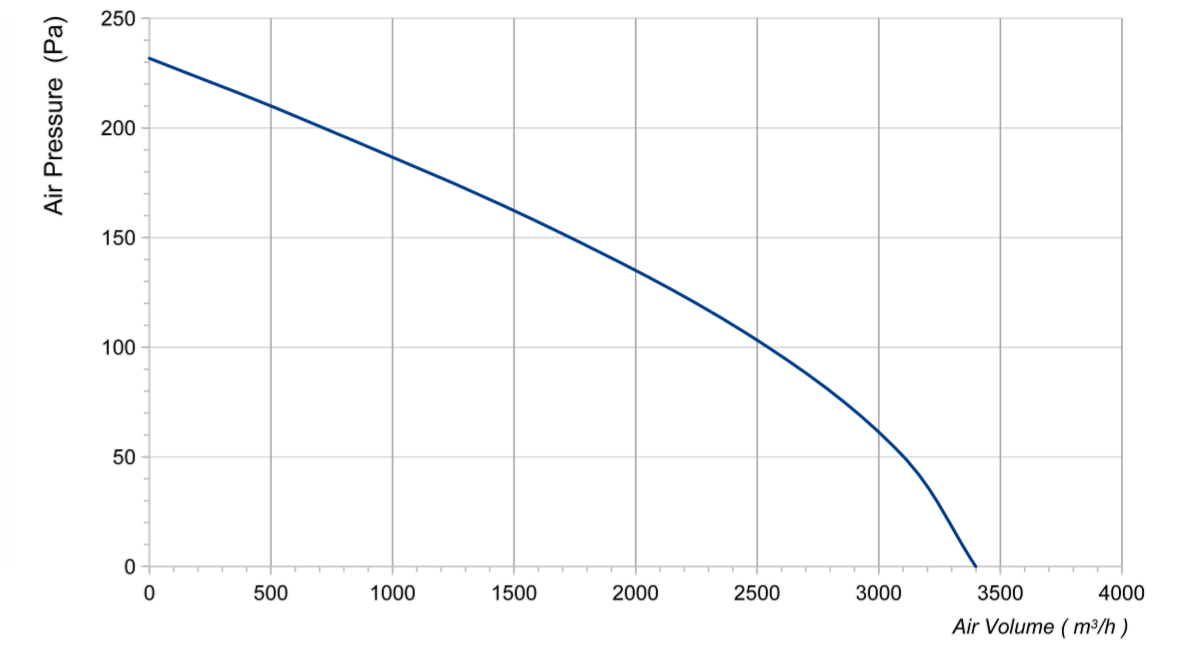
- Material: Plastic PA66
- Number of blades: 7
- Operation temperature: 40°F-185°F/-40°C-85°C
- Technical features: Soft start, current limiting, stall protection, low voltage and overvoltage shutdown, operational safeguard
- Type of protection: IP68
- Insulation class: F

### Technical Specifications

| Model           | Voltage (V) | Air Pressure (Pa) | Air Volume (m³/h) | Air Volume (CFM) | Speed (r/min) | Power (W) | Current (A) | Noise [dB(A)] |
|-----------------|-------------|-------------------|-------------------|------------------|---------------|-----------|-------------|---------------|
| LWCC-DC300MB-01 | 26          | 438               | 2884              | 1647             | 3300          | 226       | 8.7         | 76            |



## LWCC-DC385

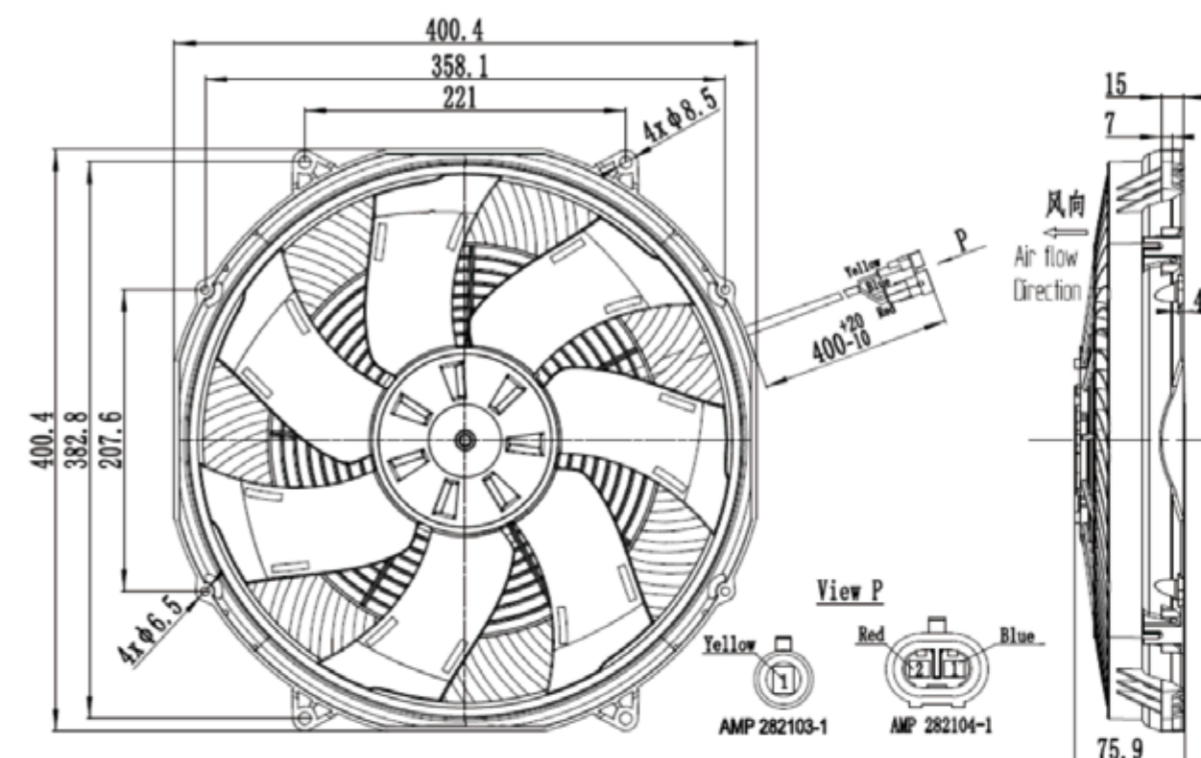


### Product Characteristic

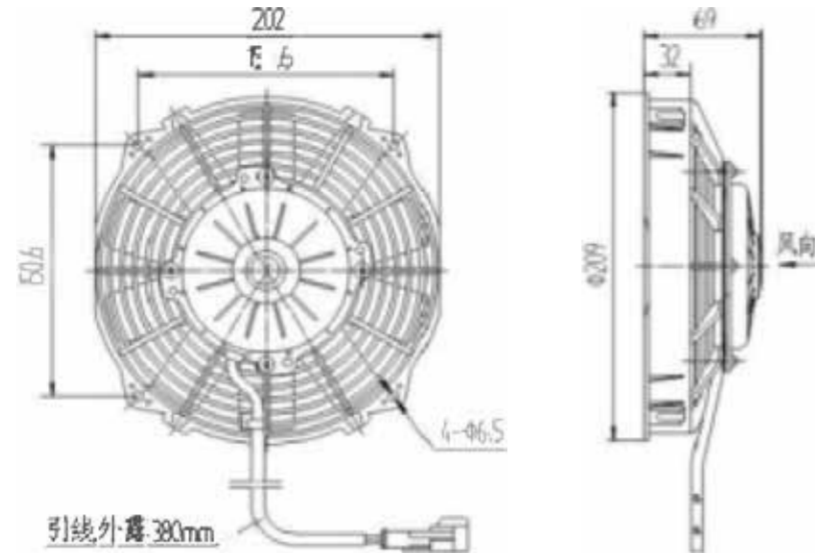
- Material: Plastic PA66
- Number of blades: 7
- Operation temperature: 40°F-185°F/-40°C-85°C
- Technical features: Soft start, current limiting, stall protection, low voltage and overvoltage shutdown, operational safeguard
- Type of protection: IP68
- Insulation class: F

### Technical Specifications

| Model           | Voltage (V) | Air Pressure (Pa) | Air Volume (m³/h) | Air Volume (CFM) | Speed (r/min) | Power (W) | Current (A) | Noise [dB(A)] |
|-----------------|-------------|-------------------|-------------------|------------------|---------------|-----------|-------------|---------------|
| LWCC-DC385MS-09 | 26          | 232               | 3399              | 1941             | 2550          | 185       | 7.1         | 78            |



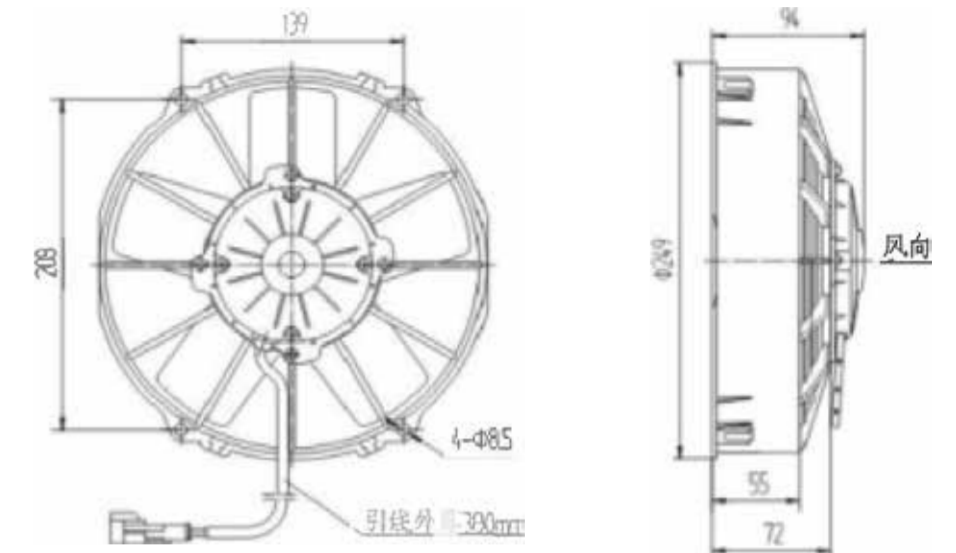
## LWCC-DC190



### Technical Specifications

| Model           | Airflow (m³/h) | Static Pressure (Pa) | Voltage (V) | Current (A) | Speed (rpm) | Remarks     |
|-----------------|----------------|----------------------|-------------|-------------|-------------|-------------|
| LWCC-DC190LB-01 | 400            | 100                  | 12          | ≤6          | ≥3600       | Φ190Blowing |
| LWCC-DC190MB-02 | 400            | 100                  | 24          | ≤3          | ≥3600       | Φ190Blowing |

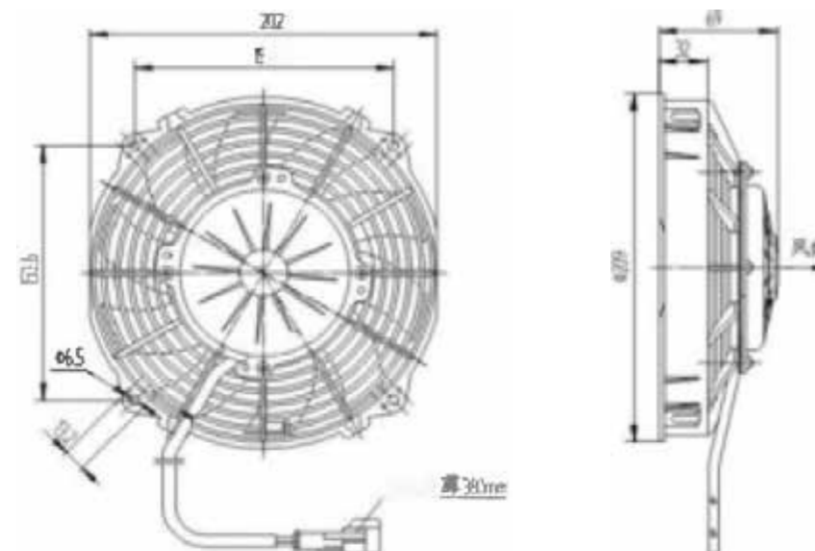
## LWCC-DC225



### Technical Specifications

| Model           | Airflow (m³/h) | Static Pressure (Pa) | Voltage (V) | Current (A) | Speed (rpm) | Remarks     |
|-----------------|----------------|----------------------|-------------|-------------|-------------|-------------|
| LWCC-DC225LB-01 | 800            | 100                  | 12          | ≤12         | ≥3200       | Φ225Blowing |
| LWCC-DC225MB-02 | 800            | 100                  | 24          | ≤6          | ≥3200       | Φ225Blowing |

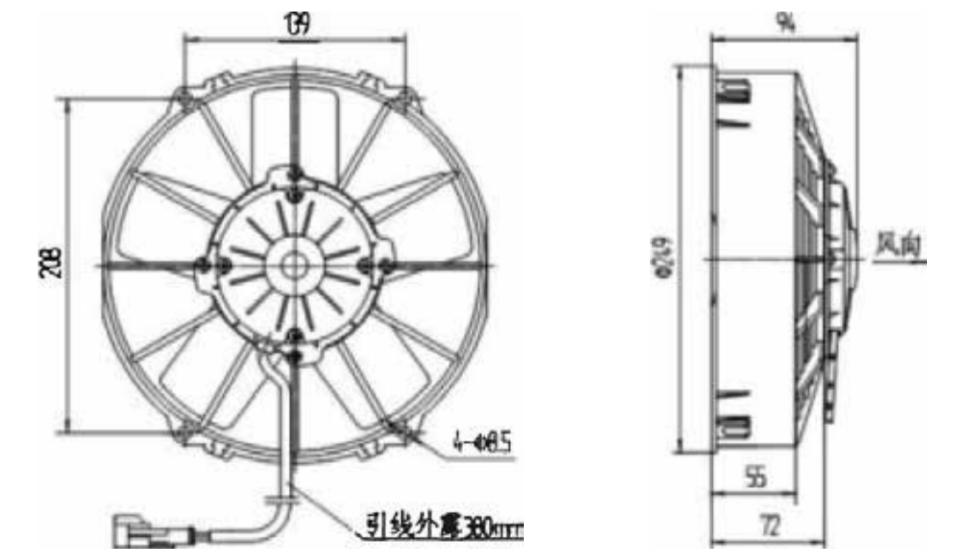
## LWCC-DC190



### Technical Specifications

| Model           | Airflow (m³/h) | Static Pressure (Pa) | Voltage (V) | Current (A) | Speed (rpm) | Remarks     |
|-----------------|----------------|----------------------|-------------|-------------|-------------|-------------|
| LWCC-DC190LS-03 | 400            | 100                  | 12          | ≤6          | ≥3500       | Φ190Suction |
| LWCC-DC190MS-04 | 400            | 100                  | 24          | ≤3          | ≥3500       | Φ190Suction |

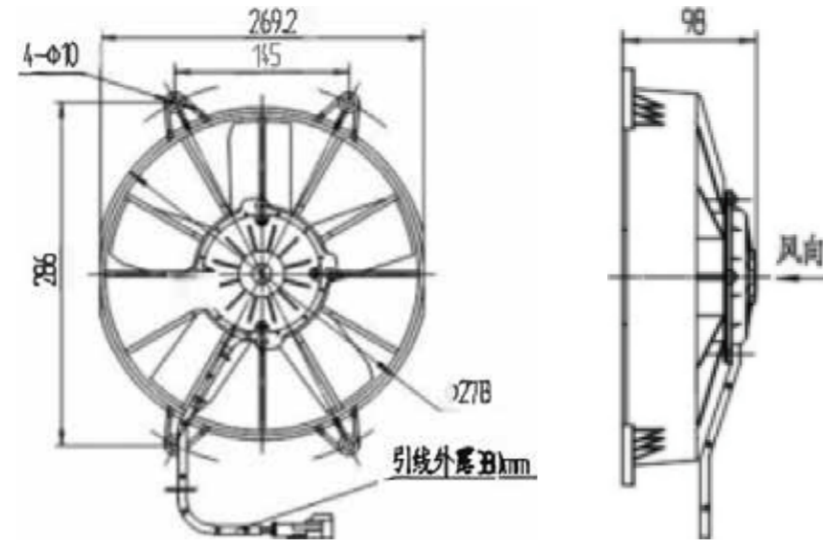
## LWCC-DC225



### Technical Specifications

| Model           | Airflow (m³/h) | Static Pressure (Pa) | Voltage (V) | Current (A) | Speed (rpm) | Remarks     |
|-----------------|----------------|----------------------|-------------|-------------|-------------|-------------|
| LWCC-DC225LS-03 | 800            | 100                  | 12          | ≤12         | ≥3000       | Φ225Suction |
| LWCC-DC225MS-04 | 800            | 100                  | 24          | ≤6          | ≥3000       | Φ225Suction |

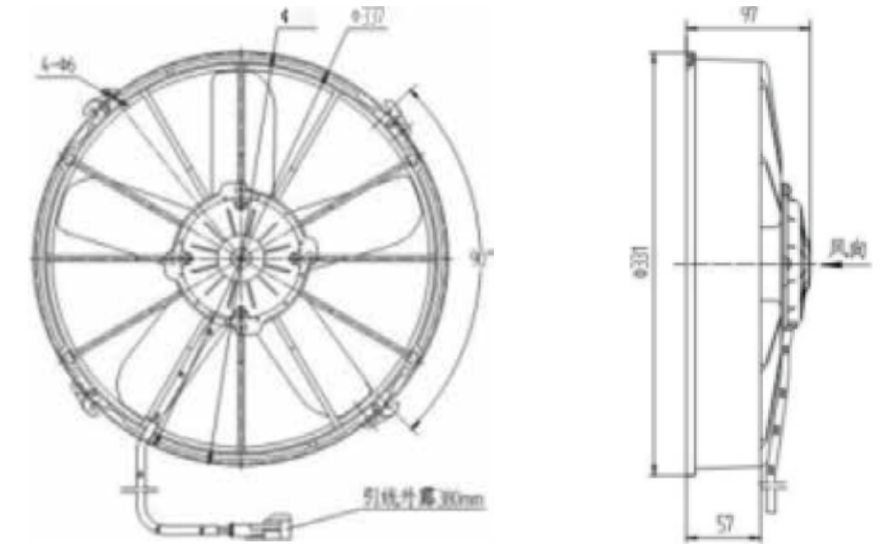
## LWCC-DC225



### Technical Specifications

| Model           | Airflow (m³/h) | Static Pressure (Pa) | Voltage (V) | Current (A) | Speed (rpm) | Remarks     |
|-----------------|----------------|----------------------|-------------|-------------|-------------|-------------|
| LWCC-DC225LB-05 | 1400           | 100                  | 12          | ≤13         | ≥3200       | Φ255Blowing |
| LWCC-DC225MB-06 | 1400           | 100                  | 24          | ≤6.5        | ≥3200       | Φ255Blowing |

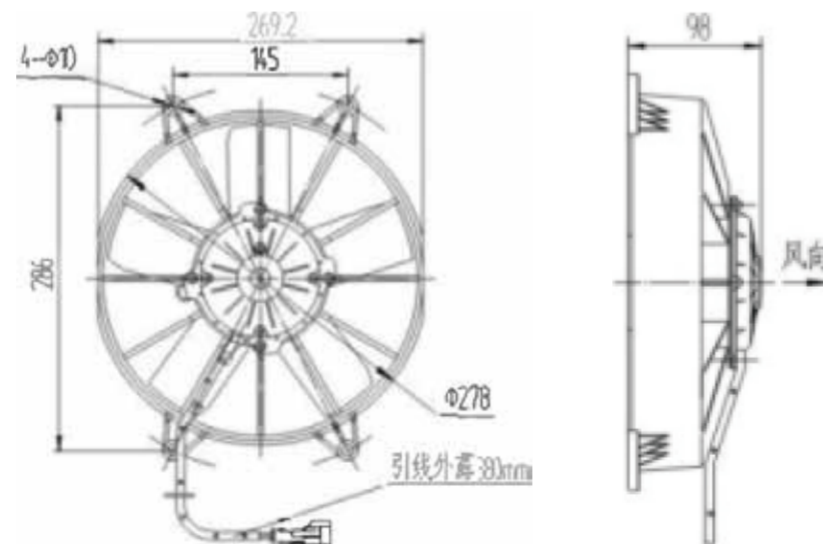
## LWCC-DC305



### Technical Specifications

| Model           | Airflow (m³/h) | Static Pressure (Pa) | Voltage (V) | Current (A) | Speed (rpm) | Remarks     |
|-----------------|----------------|----------------------|-------------|-------------|-------------|-------------|
| LWCC-DC305LB-01 | 2200           | 100                  | 12          | ≤20         | ≥3200       | Φ305Blowing |
| LWCC-DC305MB-02 | 2200           | 100                  | 24          | ≤10         | ≥3200       | Φ305Blowing |

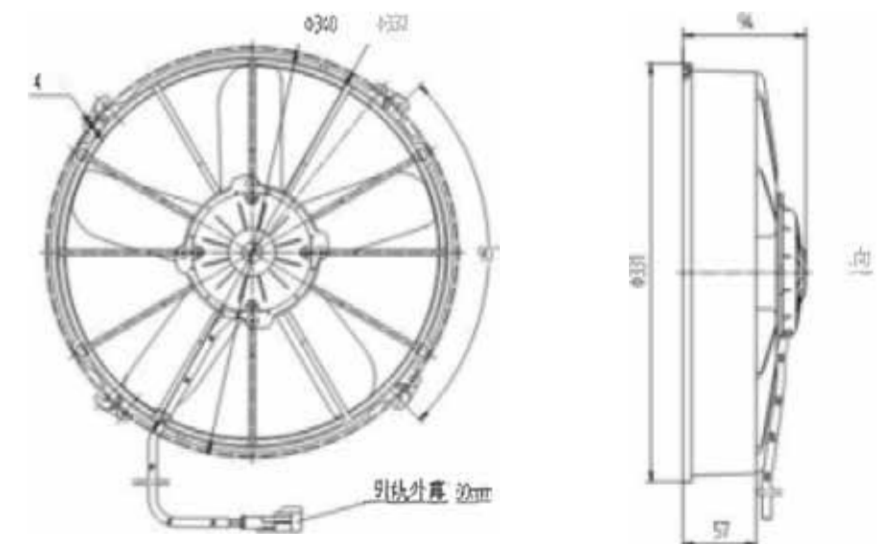
## LWCC-DC225



### Technical Specifications

| Model           | Airflow (m³/h) | Static Pressure (Pa) | Voltage (V) | Current (A) | Speed (rpm) | Remarks     |
|-----------------|----------------|----------------------|-------------|-------------|-------------|-------------|
| LWCC-DC225LS-07 | 1300           | 100                  | 12          | ≤13         | ≥3200       | Φ255Suction |
| LWCC-DC225MS-08 | 1300           | 100                  | 24          | ≤6.5        | ≥3200       | Φ255Suction |

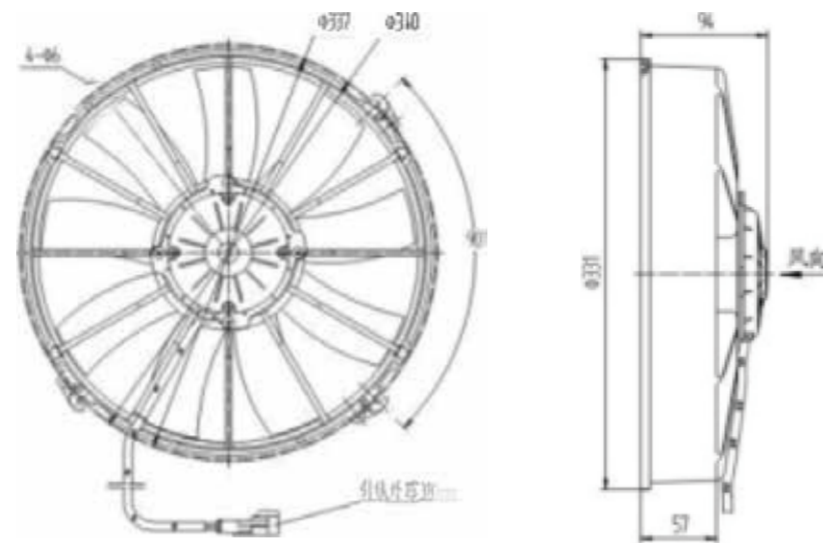
## LWCC-DC305



### Technical Specifications

| Model           | Airflow (m³/h) | Static Pressure (Pa) | Voltage (V) | Current (A) | Speed (rpm) | Remarks     |
|-----------------|----------------|----------------------|-------------|-------------|-------------|-------------|
| LWCC-DC305LS-03 | 2200           | 100                  | 12          | ≤18         | ≥3200       | Φ305Suction |
| LWCC-DC305MS-04 | 2200           | 100                  | 24          | ≤9          | ≥3200       | Φ305Suction |

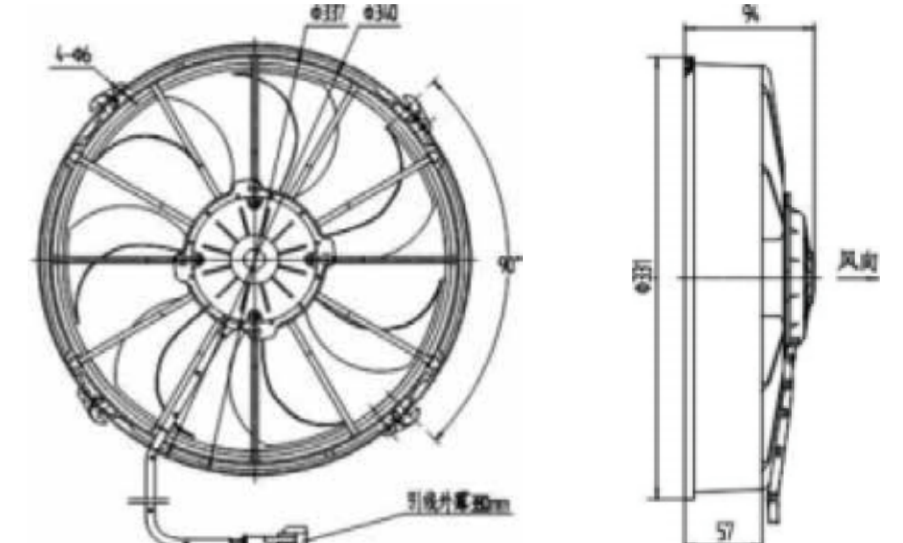
## LWCC-DC305



### Technical Specifications

| Model           | Airflow (m³/h) | Static Pressure (Pa) | Voltage (V) | Current (A) | Speed (rpm) | Remarks     |
|-----------------|----------------|----------------------|-------------|-------------|-------------|-------------|
| LWCC-DC305LB-05 | 2200           | 100                  | 12          | ≤18         | ≥2650       | Φ305Blowing |
| LWCC-DC305MB-06 | 2200           | 100                  | 24          | ≤9          | ≥2650       | Φ305Blowing |

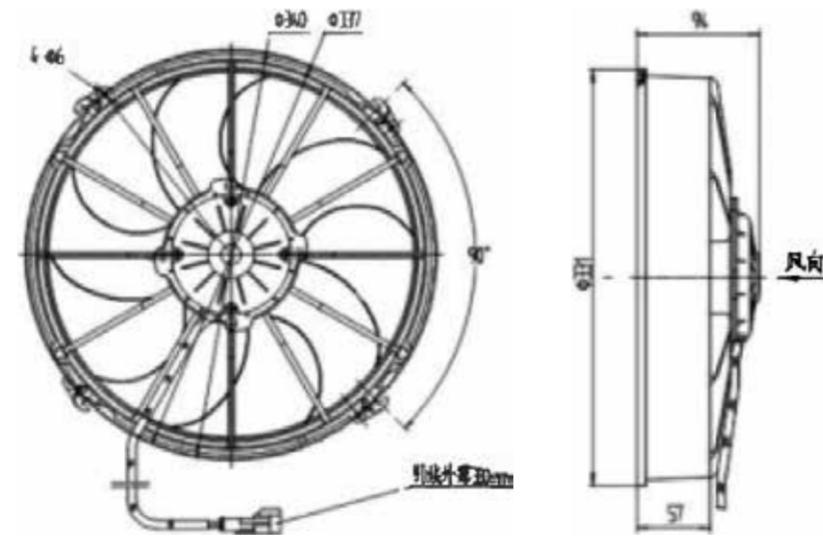
## LWCC-DC305



### Technical Specifications

| Model           | Airflow (m³/h) | Static Pressure (Pa) | Voltage (V) | Current (A) | Speed (rpm) | Remarks     |
|-----------------|----------------|----------------------|-------------|-------------|-------------|-------------|
| LWCC-DC305LS-09 | 2000           | 100                  | 12          | ≤18         | ≥3200       | Φ305Suction |
| LWCC-DC305MS-10 | 2000           | 100                  | 24          | ≤9          | ≥3200       | Φ305Suction |

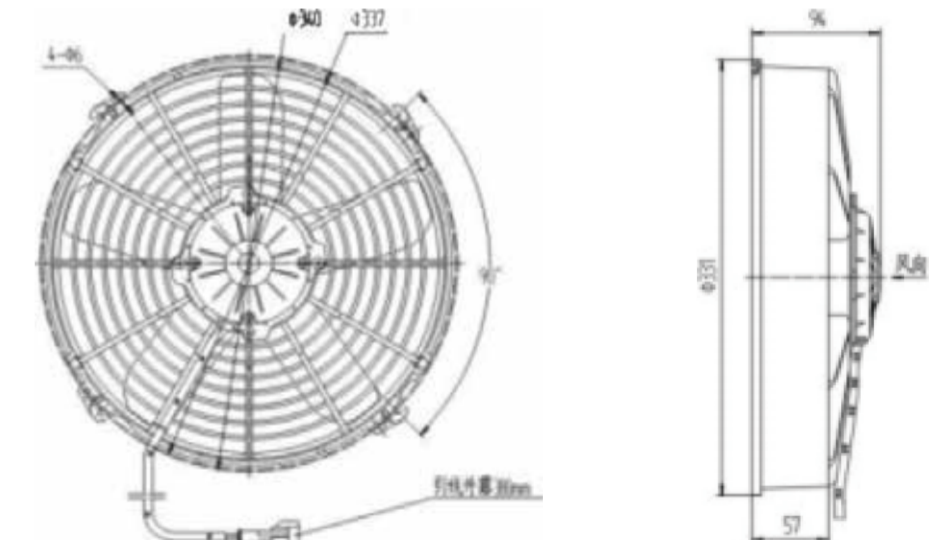
## LWCC-DC305



### Technical Specifications

| Model           | Airflow (m³/h) | Static Pressure (Pa) | Voltage (V) | Current (A) | Speed (rpm) | Remarks     |
|-----------------|----------------|----------------------|-------------|-------------|-------------|-------------|
| LWCC-DC305LB-07 | 2200           | 100                  | 12          | ≤20         | ≥3200       | Φ305Blowing |
| LWCC-DC305MB-08 | 2200           | 100                  | 24          | ≤10         | ≥3200       | Φ305Blowing |

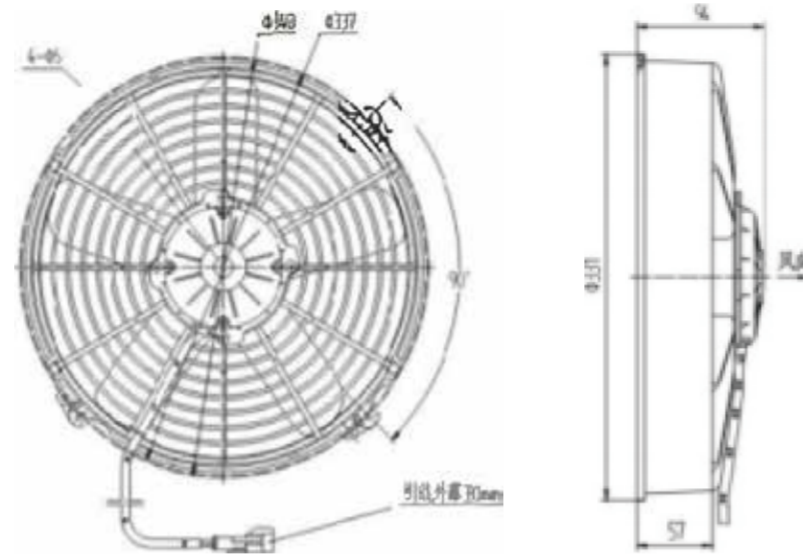
## LWCC-DC305



### Technical Specifications

| Model           | Airflow (m³/h) | Static Pressure (Pa) | Voltage (V) | Current (A) | Speed (rpm) | Remarks     |
|-----------------|----------------|----------------------|-------------|-------------|-------------|-------------|
| LWCC-DC305LB-11 | 2200           | 100                  | 12          | ≤20         | ≥3200       | Φ305Blowing |
| LWCC-DC305MB-12 | 2200           | 100                  | 24          | ≤10         | ≥3200       | Φ305Blowing |

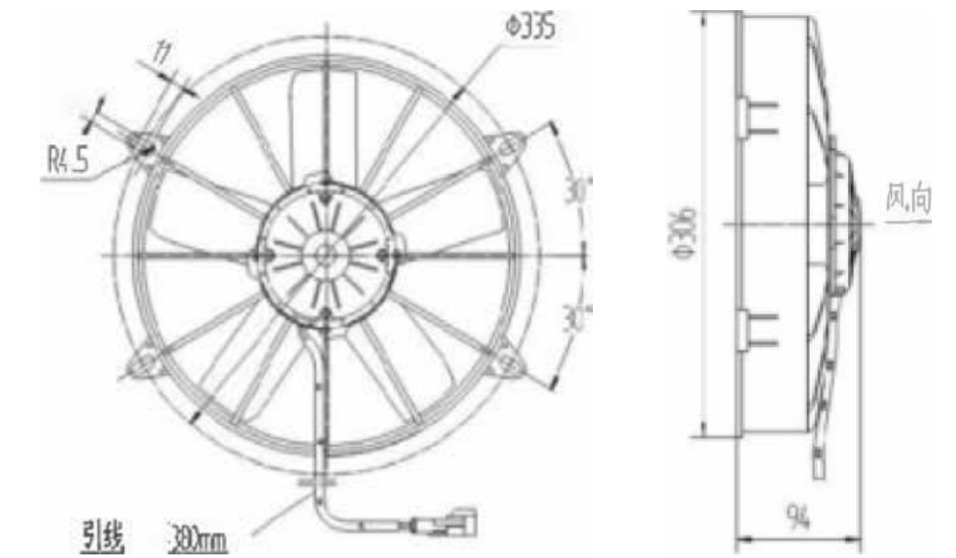
## LWCC-DC305



### Technical Specifications

| Model           | Airflow (m³/h) | Static Pressure (Pa) | Voltage (V) | Current (A) | Speed (rpm) | Remarks     |
|-----------------|----------------|----------------------|-------------|-------------|-------------|-------------|
| LWCC-DC305LS-13 | 2200           | 100                  | 12          | ≤20         | ≥3200       | Φ305Suction |
| LWCC-DC305MS-14 | 2200           | 100                  | 24          | ≤10         | ≥3200       | Φ305Suction |

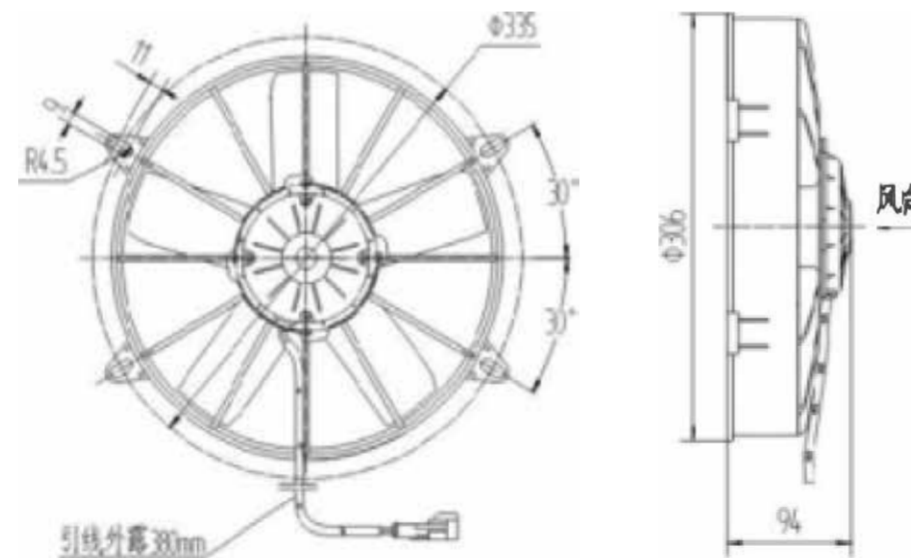
## LWCC-DC280



### Technical Specifications

| Model           | Airflow (m³/h) | Static Pressure (Pa) | Voltage (V) | Current (A) | Speed (rpm) | Remarks     |
|-----------------|----------------|----------------------|-------------|-------------|-------------|-------------|
| LWCC-DC280LS-03 | 1800           | 100                  | 12          | ≤16         | ≥3200       | Φ280Suction |
| LWCC-DC280MS-04 | 1800           | 100                  | 24          | ≤8          | ≥3200       | Φ280Suction |

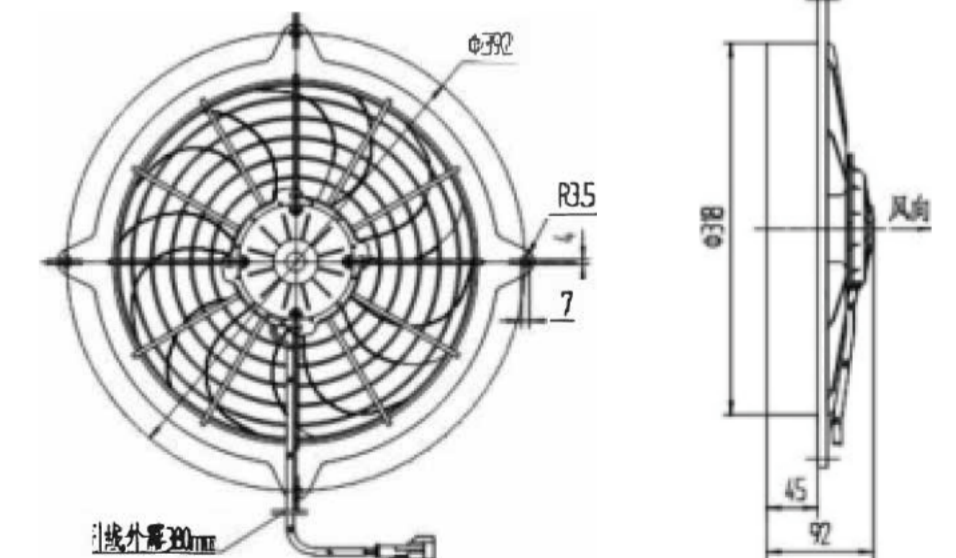
## LWCC-DC280



### Technical Specifications

| Model           | Airflow (m³/h) | Static Pressure (Pa) | Voltage (V) | Current (A) | Speed (rpm) | Remarks     |
|-----------------|----------------|----------------------|-------------|-------------|-------------|-------------|
| LWCC-DC280LB-01 | 1800           | 100                  | 12          | ≤16         | ≥3200       | Φ280Blowing |
| LWCC-DC280MB-02 | 1800           | 100                  | 24          | ≤8          | ≥3200       | Φ280Blowing |

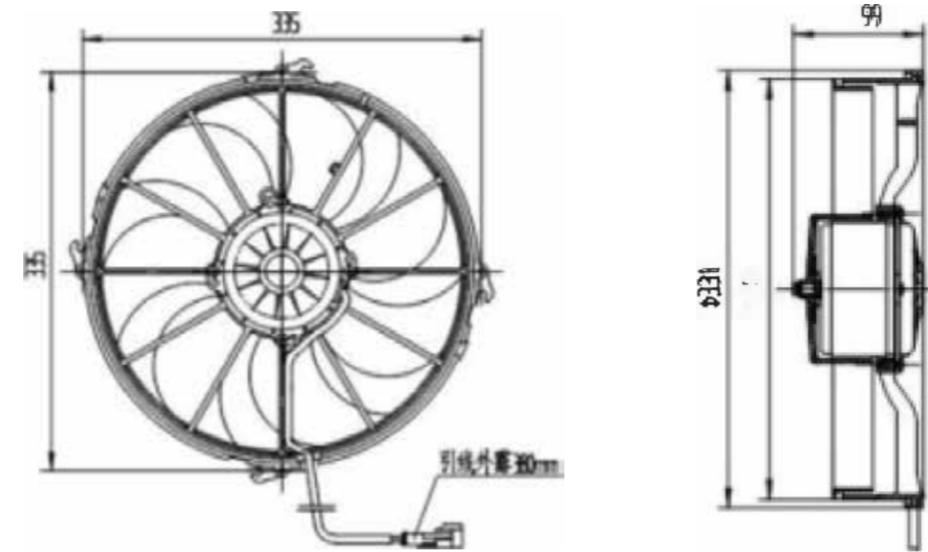
## LWCC-DC305



### Technical Specifications

| Model           | Airflow (m³/h) | Static Pressure (Pa) | Voltage (V) | Current (A) | Speed (rpm) | Remarks     |
|-----------------|----------------|----------------------|-------------|-------------|-------------|-------------|
| LWCC-DC305LS-15 | 2000           | 100                  | 12          | ≤18         | ≥3200       | Φ305Suction |
| LWCC-DC305MS-16 | 2000           | 100                  | 24          | ≤9          | ≥3200       | Φ305Suction |

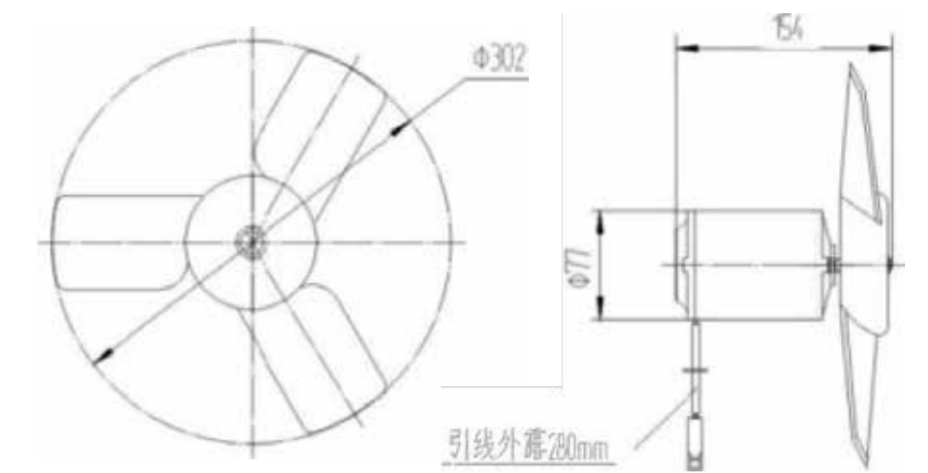
## LWCC-DC318



### Technical Specifications

| Model           | Airflow (m³/h) | Static Pressure (Pa) | Voltage (V) | Current (A) | Speed (rpm) | Remarks     |
|-----------------|----------------|----------------------|-------------|-------------|-------------|-------------|
| LWCC-DC318LS-01 | 2300           | 100                  | 12          | ≤18         | ≥3200       | Φ318Suction |
| LWCC-DC318MS-02 | 2300           | 100                  | 24          | ≤9          | ≥3200       | Φ318Suction |

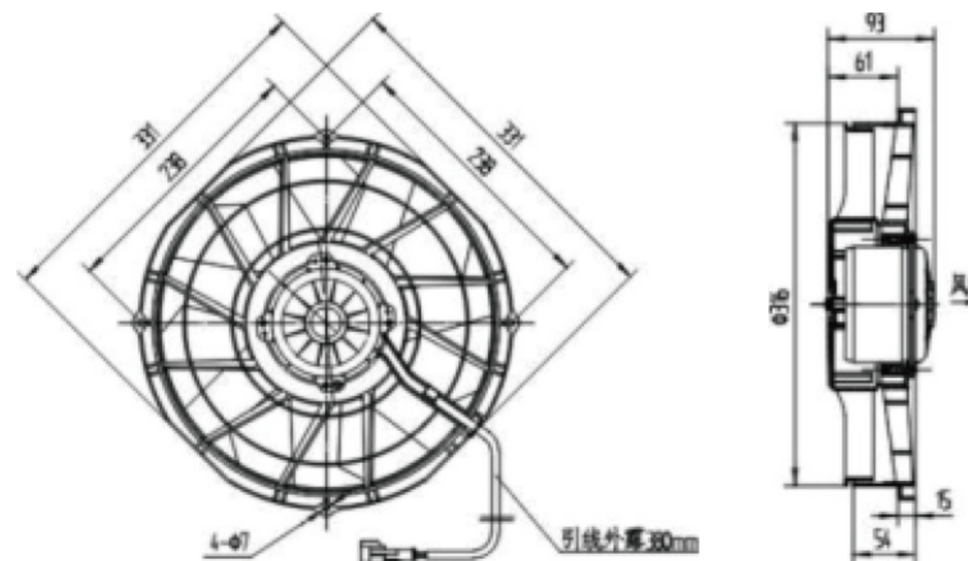
## LWCC-DC302



### Technical Specifications

| Model           | Airflow (m³/h) | Static Pressure (Pa) | Voltage (V) | Current (A) | Speed (rpm) | Remarks     |
|-----------------|----------------|----------------------|-------------|-------------|-------------|-------------|
| LWCC-DC302LB-01 | 1400           | 100                  | 12          | ≤12         | ≥2900       | Φ302Blowing |
| LWCC-DC302MB-02 | 1400           | 100                  | 24          | ≤6          | ≥2900       | Φ302Blowing |

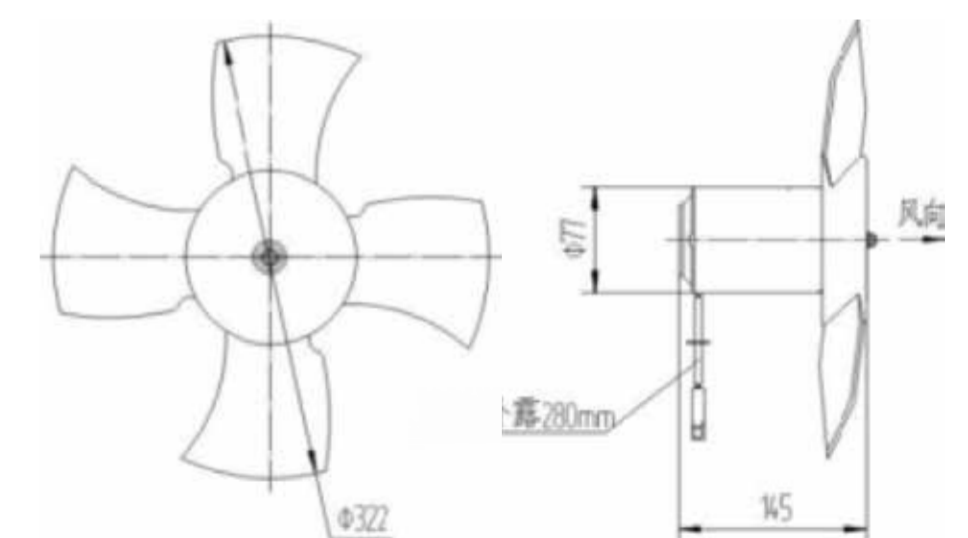
## LWCC-DC316



### Technical Specifications

| Model           | Airflow (m³/h) | Static Pressure (Pa) | Voltage (V) | Current (A) | Speed (rpm) | Remarks     |
|-----------------|----------------|----------------------|-------------|-------------|-------------|-------------|
| LWCC-DC316LS-01 | 2400           | 100                  | 12          | ≤18         | ≥3200       | Φ316Suction |
| LWCC-DC316MS-02 | 2400           | 100                  | 24          | ≤9          | ≥3200       | Φ316Suction |

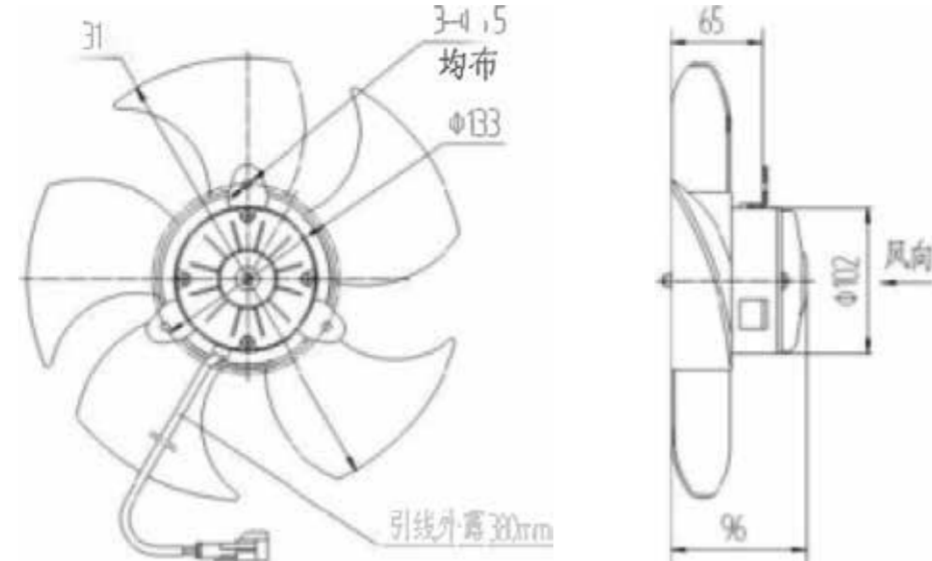
## LWCC-DC322



### Technical Specifications

| Model           | Airflow (m³/h) | Static Pressure (Pa) | Voltage (V) | Current (A) | Speed (rpm) | Remarks     |
|-----------------|----------------|----------------------|-------------|-------------|-------------|-------------|
| LWCC-DC322LB-01 | 1400           | 100                  | 12          | ≤13         | ≥2500       | Φ322Blowing |
| LWCC-DC322MB-02 | 1400           | 100                  | 24          | ≤6.5        | ≥2500       | Φ322Blowing |

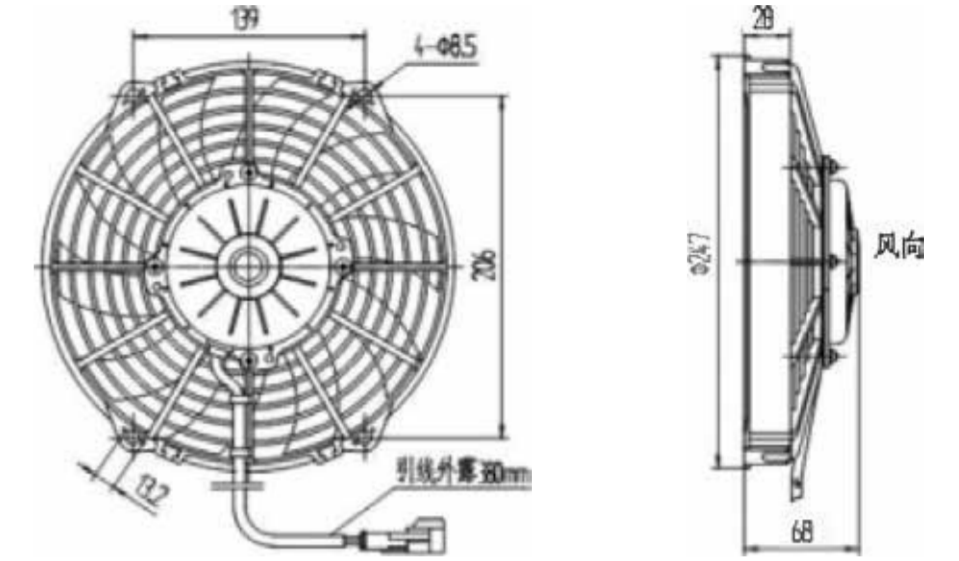
## LWCC-DC316



### Technical Specifications

| Model           | Airflow (m³/h) | Static Pressure (Pa) | Voltage (V) | Current (A) | Speed (rpm) | Remarks     |
|-----------------|----------------|----------------------|-------------|-------------|-------------|-------------|
| LWCC-DC316LB-03 | 1400           | 100                  | 12          | ≤13         | ≥2600       | Φ316Blowing |
| LWCC-DC316MB-04 | 1400           | 100                  | 24          | ≤6.5        | ≥2600       | Φ316Blowing |

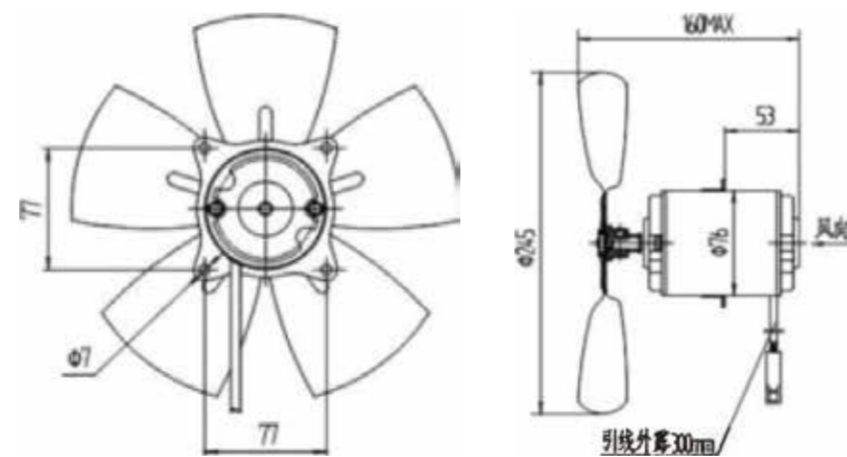
## LWCC-DC225



### Technical Specifications

| Model           | Airflow (m³/h) | Static Pressure (Pa) | Voltage (V) | Current (A) | Speed (rpm) | Remarks     |
|-----------------|----------------|----------------------|-------------|-------------|-------------|-------------|
| LWCC-DC225LB-09 | 600            | 100                  | 12          | ≤10         | ≥3200       | Φ225Blowing |
| LWCC-DC225MB-10 | 600            | 100                  | 24          | ≤4.5        | ≥3200       | Φ225Blowing |

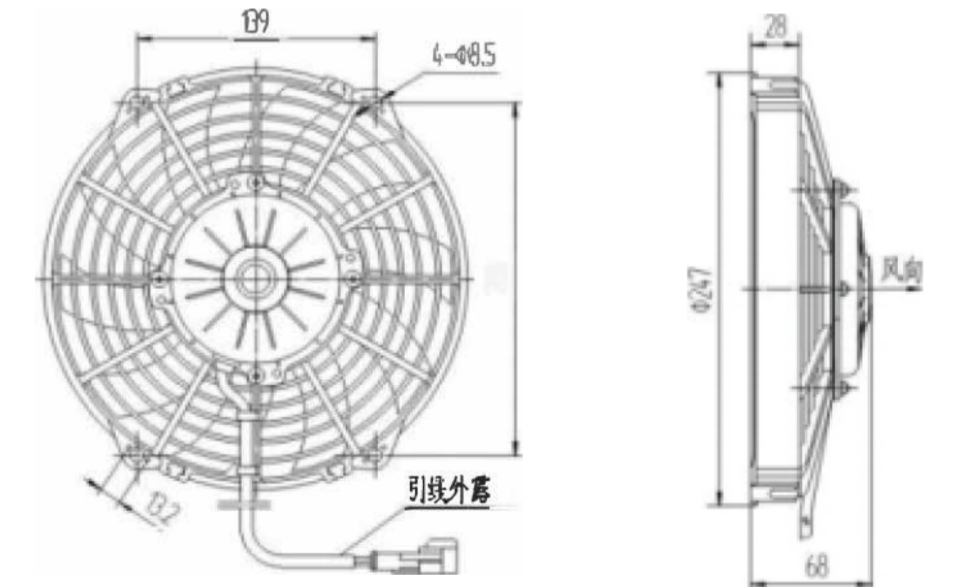
## LWCC-DC245



### Technical Specifications

| Model           | Airflow (m³/h) | Static Pressure (Pa) | Voltage (V) | Current (A) | Speed (rpm) | Remarks     |
|-----------------|----------------|----------------------|-------------|-------------|-------------|-------------|
| LWCC-DC245LB-01 | 600            | 100                  | 12          | ≤10         | ≥3200       | Φ245Blowing |
| LWCC-DC245MB-02 | 600            | 100                  | 24          | ≤4.5        | ≥3200       | Φ245Blowing |

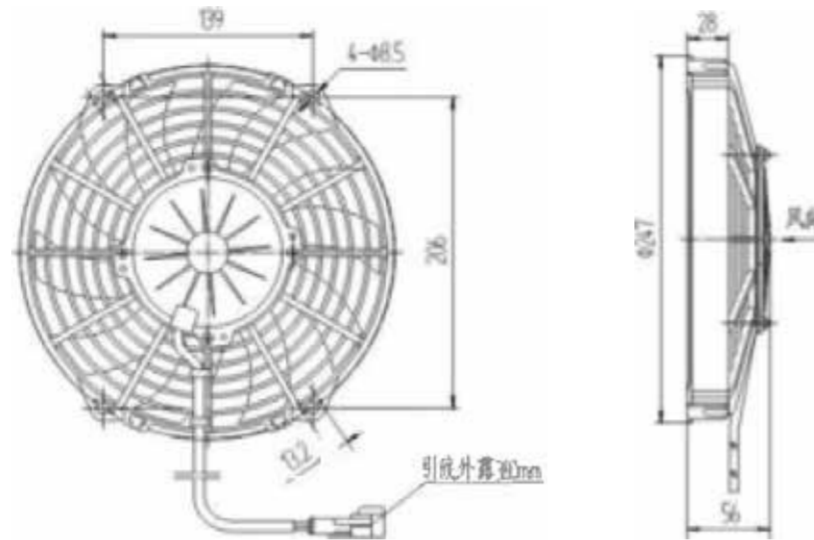
## LWCC-DC225



### Technical Specifications

| Model           | Airflow (m³/h) | Static Pressure (Pa) | Voltage (V) | Current (A) | Speed (rpm) | Remarks     |
|-----------------|----------------|----------------------|-------------|-------------|-------------|-------------|
| LWCC-DC225LS-11 | 600            | 100                  | 12          | ≤10         | ≥3200       | Φ225Suction |
| LWCC-DC225MS-12 | 600            | 100                  | 24          | ≤4.5        | ≥3200       | Φ225Suction |

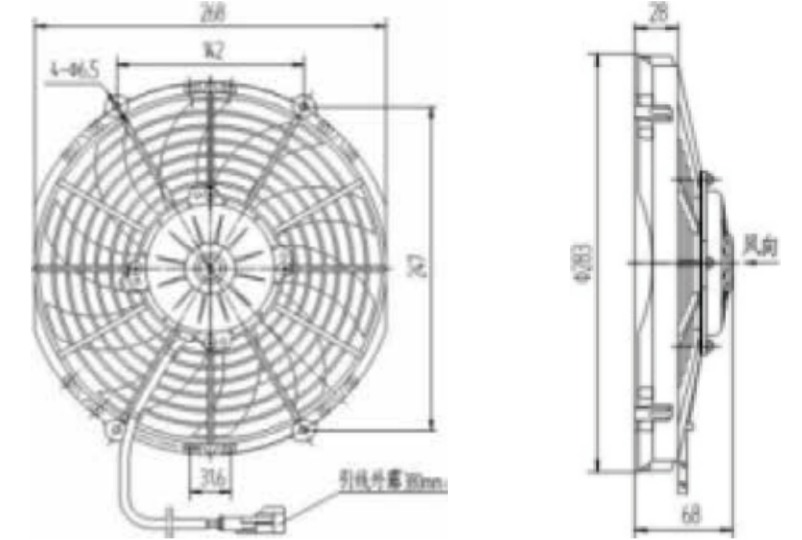
## LWCC-DC225



### Technical Specifications

| Model           | Airflow (m³/h) | Static Pressure (Pa) | Voltage (V) | Current (A) | Speed (rpm) | Remarks     |
|-----------------|----------------|----------------------|-------------|-------------|-------------|-------------|
| LWCC-DC225LB-13 | 600            | 100                  | 12          | ≤10         | ≥3200       | Φ225Blowing |
| LWCC-DC225MB-14 | 600            | 100                  | 24          | ≤4.5        | ≥3200       | Φ225Blowing |

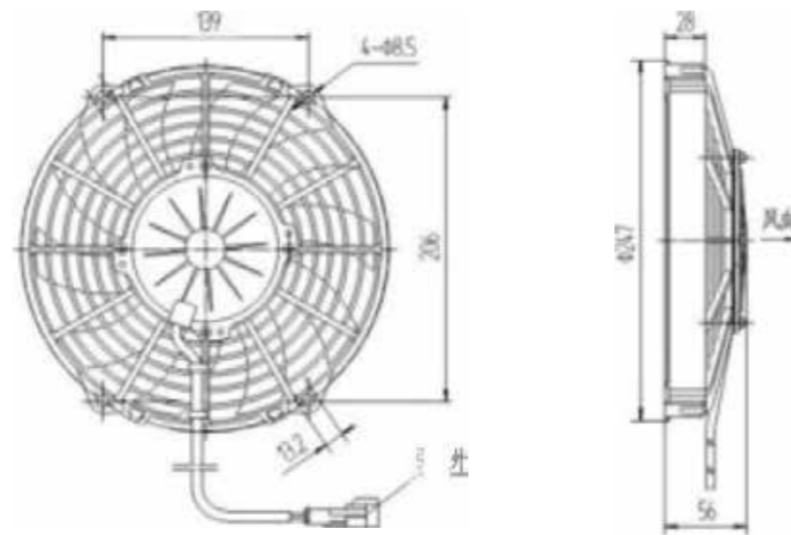
## LWCC-DC225



### Technical Specifications

| Model           | Airflow (m³/h) | Static Pressure (Pa) | Voltage (V) | Current (A) | Speed (rpm) | Remarks     |
|-----------------|----------------|----------------------|-------------|-------------|-------------|-------------|
| LWCC-DC225LB-17 | 900            | 100                  | 12          | ≤10         | ≥3200       | Φ255Blowing |
| LWCC-DC225MB-18 | 900            | 100                  | 24          | ≤5          | ≥3200       | Φ255Blowing |

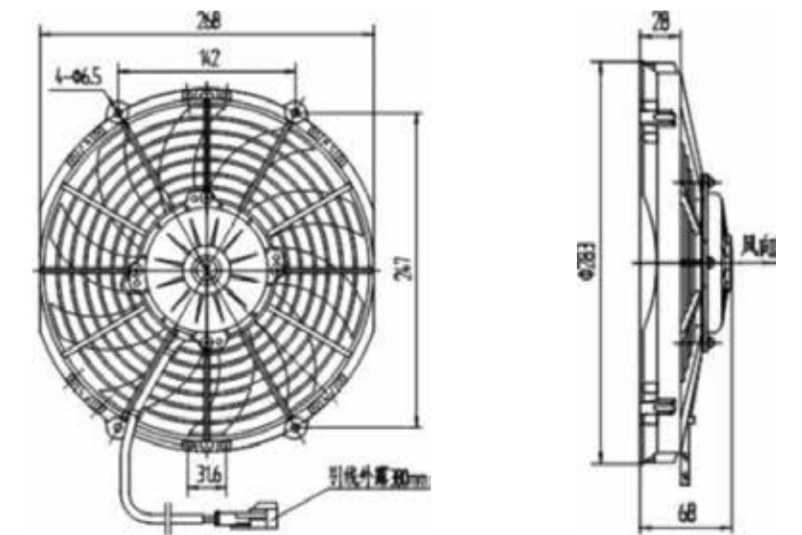
## LWCC-DC225



### Technical Specifications

| Model           | Airflow (m³/h) | Static Pressure (Pa) | Voltage (V) | Current (A) | Speed (rpm) | Remarks     |
|-----------------|----------------|----------------------|-------------|-------------|-------------|-------------|
| LWCC-DC225LS-15 | 600            | 100                  | 12          | ≤10         | ≥3200       | Φ225Suction |
| LWCC-DC225MS-16 | 600            | 100                  | 24          | ≤4.5        | ≥3200       | Φ225Suction |

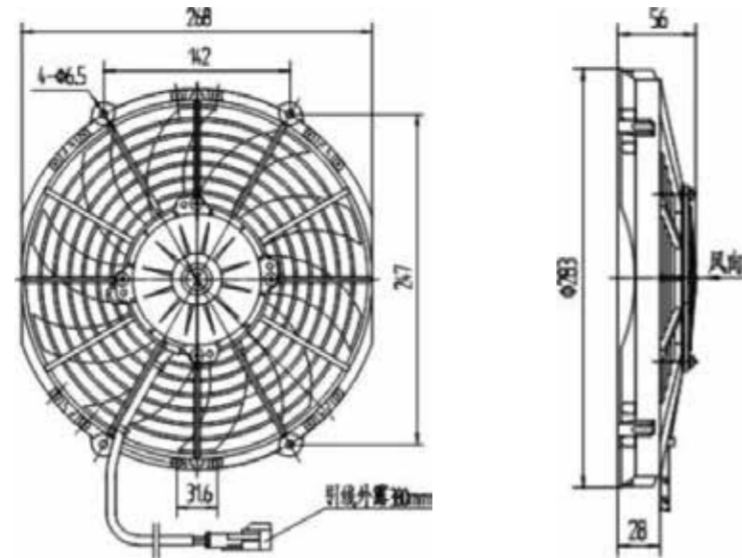
## LWCC-DC225



### Technical Specifications

| Model           | Airflow (m³/h) | Static Pressure (Pa) | Voltage (V) | Current (A) | Speed (rpm) | Remarks     |
|-----------------|----------------|----------------------|-------------|-------------|-------------|-------------|
| LWCC-DC225LS-19 | 900            | 100                  | 12          | ≤10         | ≥3200       | Φ255Suction |
| LWCC-DC225MS-20 | 900            | 100                  | 24          | ≤5          | ≥3200       | Φ255Suction |

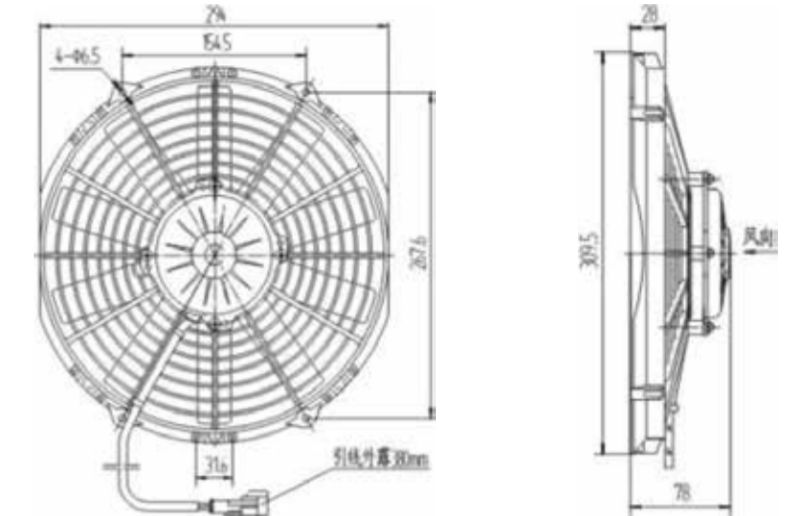
## LWCC-DC225



### Technical Specifications

| Model           | Airflow (m³/h) | Static Pressure (Pa) | Voltage (V) | Current (A) | Speed (rpm) | Remarks     |
|-----------------|----------------|----------------------|-------------|-------------|-------------|-------------|
| LWCC-DC225LB-21 | 900            | 100                  | 12          | ≤10         | ≥3200       | Φ255Blowing |
| LWCC-DC225MB-22 | 900            | 100                  | 24          | ≤5          | ≥3200       | Φ255Blowing |

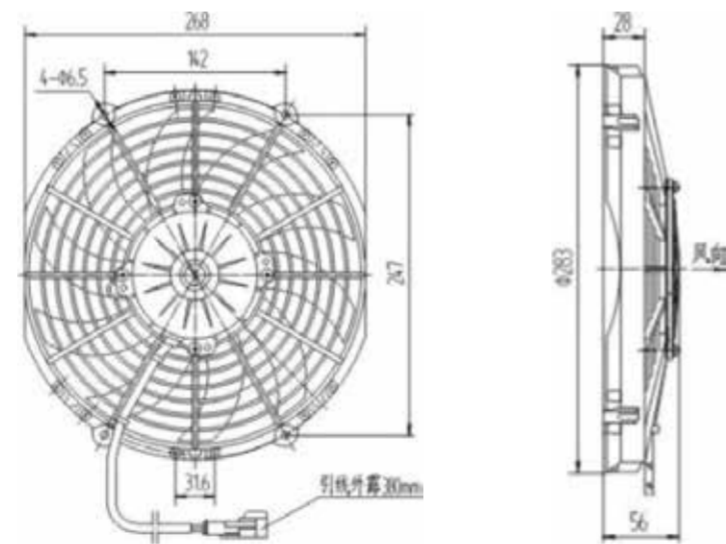
## LWCC-DC280



### Technical Specifications

| Model           | Airflow (m³/h) | Static Pressure (Pa) | Voltage (V) | Current (A) | Speed (rpm) | Remarks     |
|-----------------|----------------|----------------------|-------------|-------------|-------------|-------------|
| LWCC-DC280LB-05 | 1200           | 100                  | 12          | ≤11         | ≥3200       | Φ280Blowing |
| LWCC-DC280MB-06 | 1200           | 100                  | 24          | ≤5.5        | ≥3200       | Φ280Blowing |

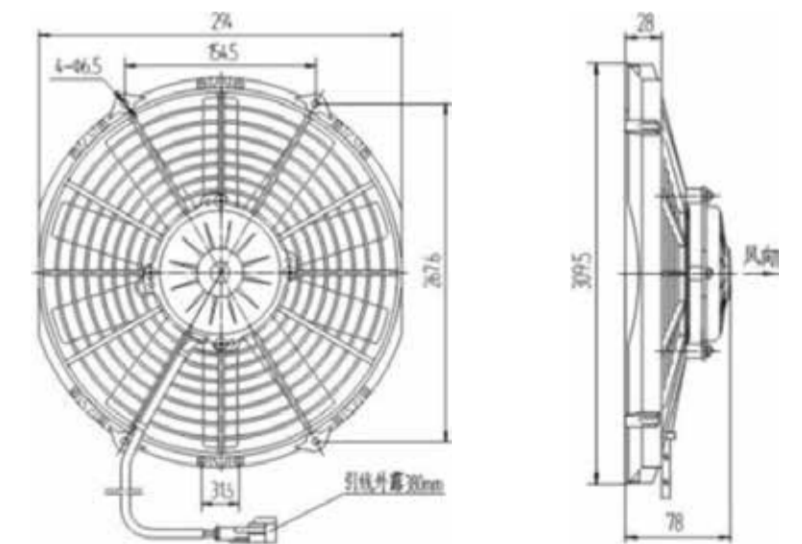
## LWCC-DC225



### Technical Specifications

| Model           | Airflow (m³/h) | Static Pressure (Pa) | Voltage (V) | Current (A) | Speed (rpm) | Remarks     |
|-----------------|----------------|----------------------|-------------|-------------|-------------|-------------|
| LWCC-DC225LS-23 | 900            | 100                  | 12          | ≤10         | ≥3200       | Φ255Suction |
| LWCC-DC225MS-24 | 900            | 100                  | 24          | ≤5          | ≥3200       | Φ255Suction |

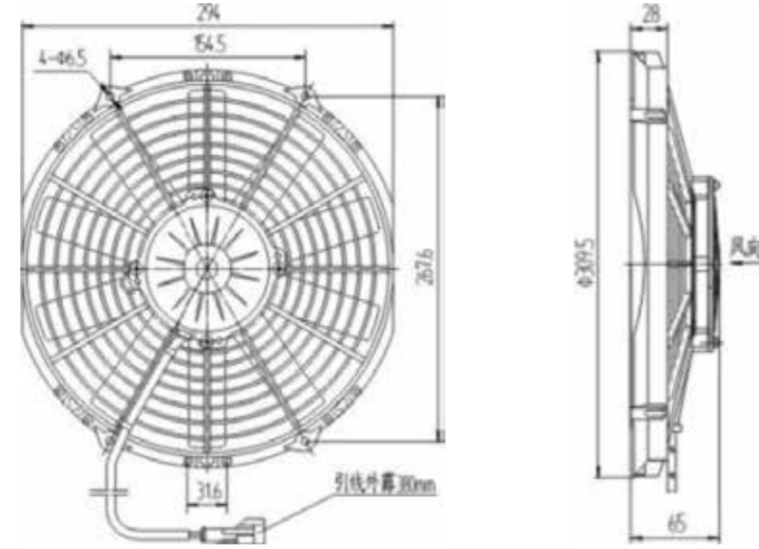
## LWCC-DC280



### Technical Specifications

| Model           | Airflow (m³/h) | Static Pressure (Pa) | Voltage (V) | Current (A) | Speed (rpm) | Remarks     |
|-----------------|----------------|----------------------|-------------|-------------|-------------|-------------|
| LWCC-DC280LS-07 | 1200           | 100                  | 12          | ≤11         | ≥3200       | Φ280Suction |
| LWCC-DC280MS-08 | 1200           | 100                  | 24          | ≤5.5        | ≥3200       | Φ280Suction |

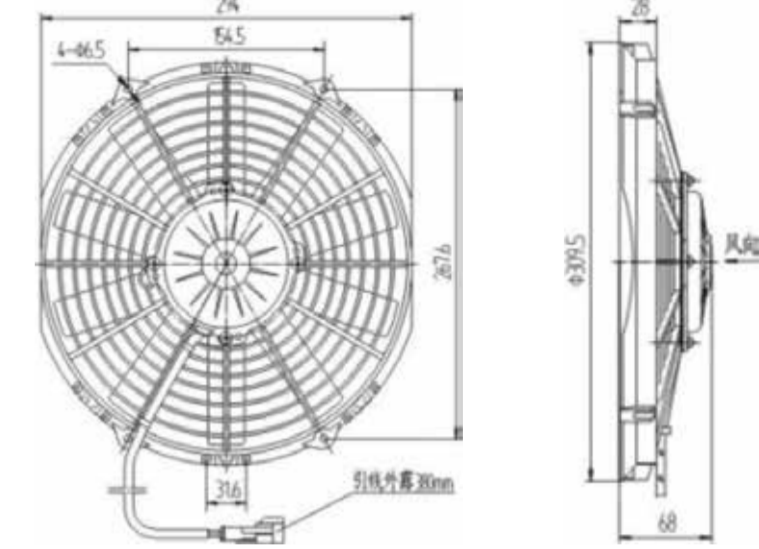
## LWCC-DC280



### Technical Specifications

| Model           | Airflow (m³/h) | Static Pressure (Pa) | Voltage (V) | Current (A) | Speed (rpm) | Remarks     |
|-----------------|----------------|----------------------|-------------|-------------|-------------|-------------|
| LWCC-DC280LB-09 | 1200           | 100                  | 12          | ≤11         | ≥3200       | Φ280Blowing |
| LWCC-DC280MB-10 | 1200           | 100                  | 24          | ≤5.5        | ≥3200       | Φ280Blowing |

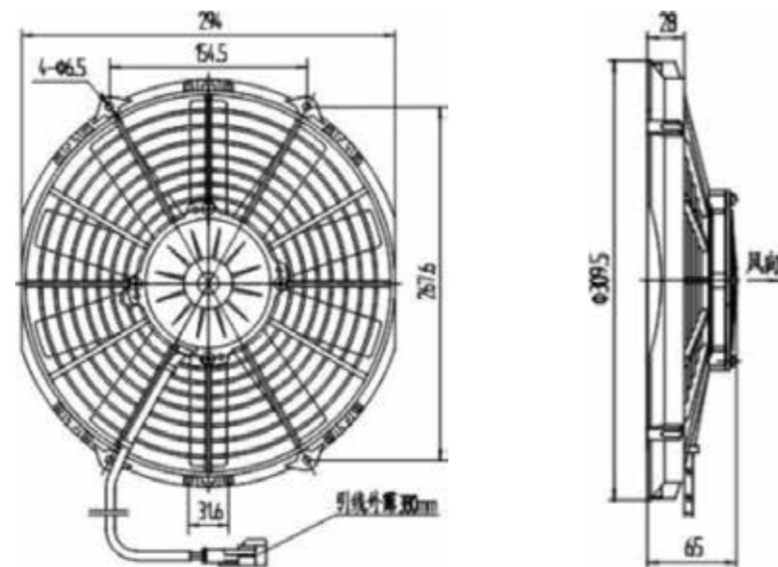
## LWCC-DC280



### Technical Specifications

| Model           | Airflow (m³/h) | Static Pressure (Pa) | Voltage (V) | Current (A) | Speed (rpm) | Remarks     |
|-----------------|----------------|----------------------|-------------|-------------|-------------|-------------|
| LWCC-DC280LB-13 | 1000           | 100                  | 12          | ≤11         | ≥2700       | Φ280Blowing |
| LWCC-DC280MB-14 | 1000           | 100                  | 24          | ≤5.5        | ≥2700       | Φ280Blowing |

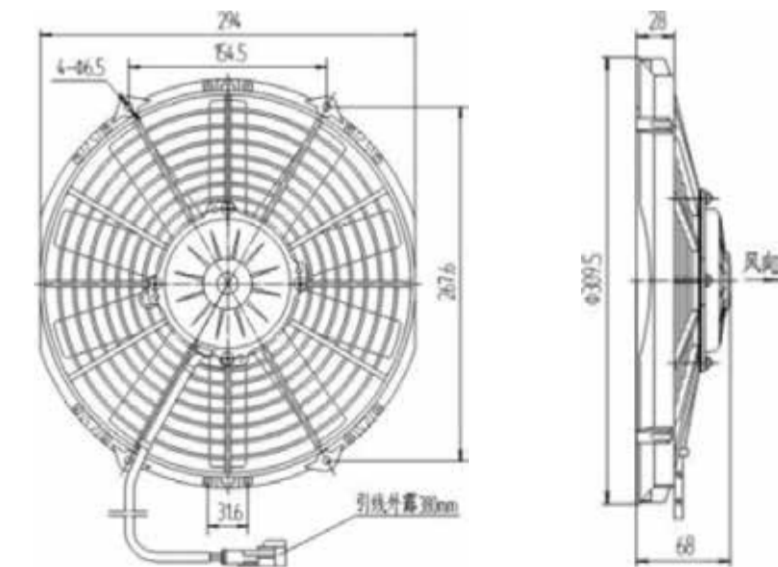
## LWCC-DC280



### Technical Specifications

| Model           | Airflow (m³/h) | Static Pressure (Pa) | Voltage (V) | Current (A) | Speed (rpm) | Remarks     |
|-----------------|----------------|----------------------|-------------|-------------|-------------|-------------|
| LWCC-DC280LS-11 | 1200           | 100                  | 12          | ≤11         | ≥3200       | Φ280Suction |
| LWCC-DC280MS-12 | 1200           | 100                  | 24          | ≤5.5        | ≥3200       | Φ280Suction |

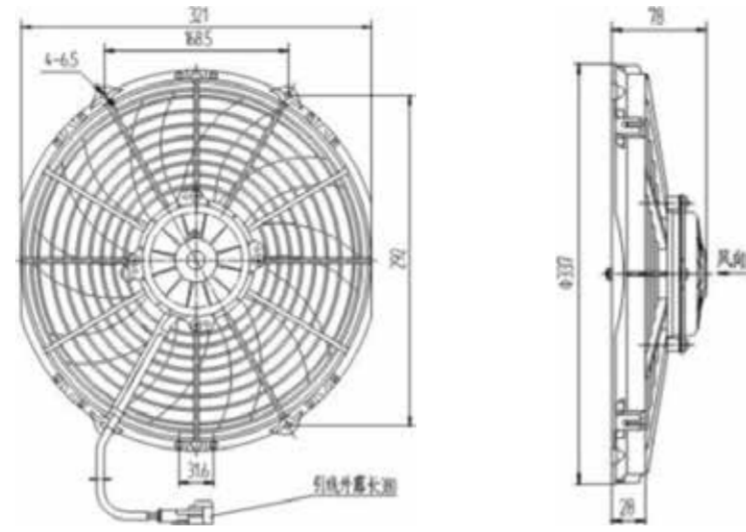
## LWCC-DC280



### Technical Specifications

| Model           | Airflow (m³/h) | Static Pressure (Pa) | Voltage (V) | Current (A) | Speed (rpm) | Remarks     |
|-----------------|----------------|----------------------|-------------|-------------|-------------|-------------|
| LWCC-DC280LS-15 | 1000           | 100                  | 12          | ≤11         | ≥2700       | Φ280Suction |
| LWCC-DC280MS-16 | 1000           | 100                  | 24          | ≤5.5        | ≥2700       | Φ280Suction |

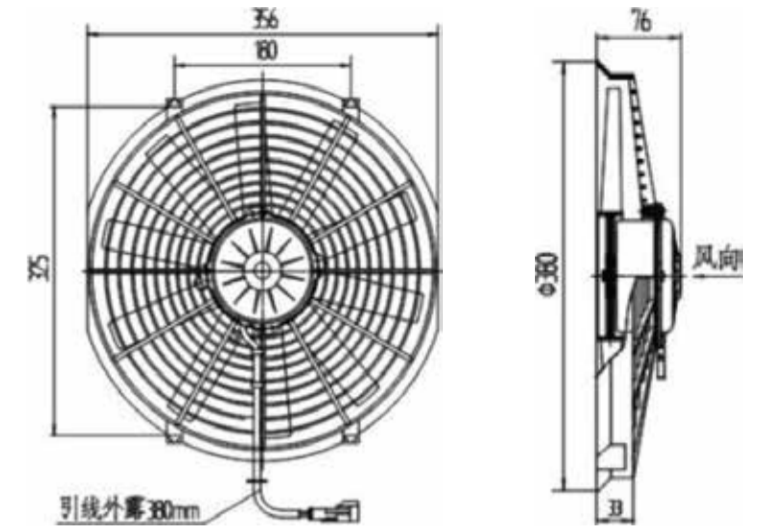
## LWCC-DC305



### Technical Specifications

| Model           | Airflow (m³/h) | Static Pressure (Pa) | Voltage (V) | Current (A) | Speed (rpm) | Remarks     |
|-----------------|----------------|----------------------|-------------|-------------|-------------|-------------|
| LWCC-DC305LB-17 | 1400           | 100                  | 12          | ≤16         | ≥2700       | Φ305Blowing |
| LWCC-DC305MB-18 | 1400           | 100                  | 24          | ≤8          | ≥2700       | Φ305Blowing |

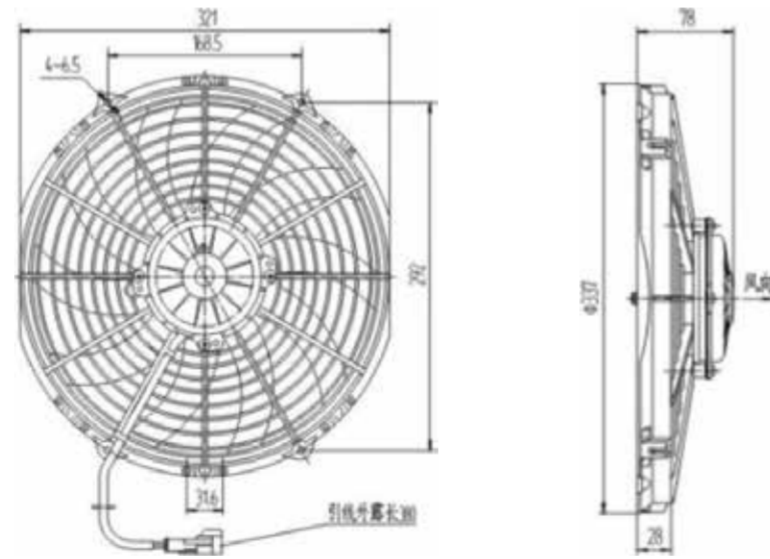
## LWCC-DC327



### Technical Specifications

| Model           | Airflow (m³/h) | Static Pressure (Pa) | Voltage (V) | Current (A) | Speed (rpm) | Remarks     |
|-----------------|----------------|----------------------|-------------|-------------|-------------|-------------|
| LWCC-DC327LB-01 | 1200           | 100                  | 12          | ≤14         | ≥2800       | Φ327Blowing |
| LWCC-DC327MB-02 | 1200           | 100                  | 24          | ≤7          | ≥2800       | Φ327Blowing |

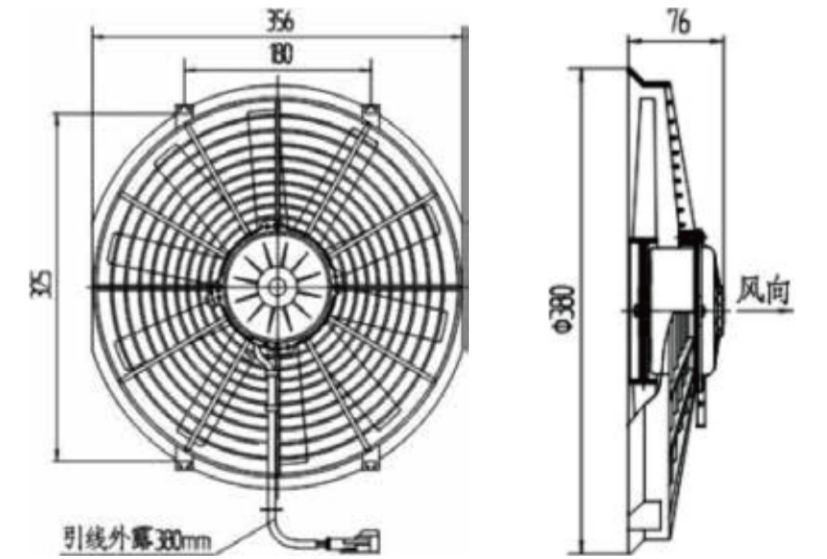
## LWCC-DC305



### Technical Specifications

| Model           | Airflow (m³/h) | Static Pressure (Pa) | Voltage (V) | Current (A) | Speed (rpm) | Remarks     |
|-----------------|----------------|----------------------|-------------|-------------|-------------|-------------|
| LWCC-DC305LS-19 | 1200           | 100                  | 12          | ≤16         | ≥2700       | Φ305Suction |
| LWCC-DC305MS-20 | 1200           | 100                  | 24          | ≤8          | ≥2700       | Φ305Suction |

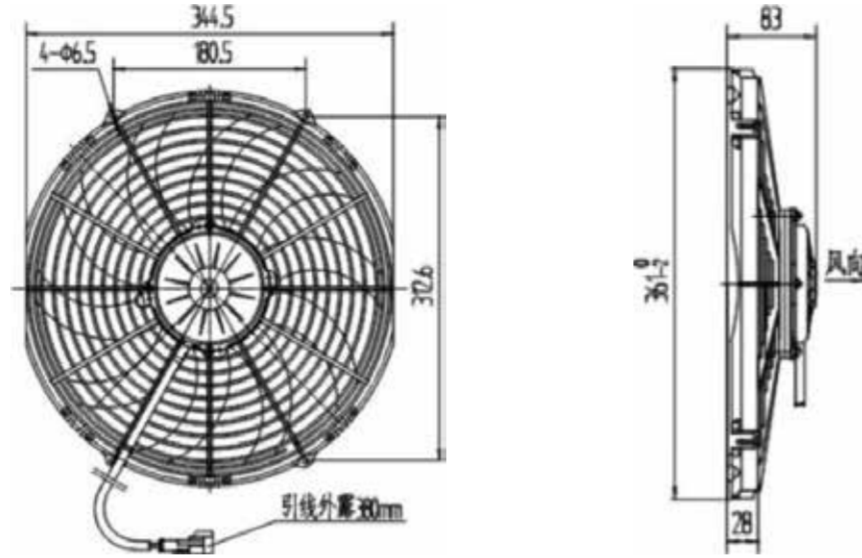
## LWCC-DC327



### Technical Specifications

| Model           | Airflow (m³/h) | Static Pressure (Pa) | Voltage (V) | Current (A) | Speed (rpm) | Remarks     |
|-----------------|----------------|----------------------|-------------|-------------|-------------|-------------|
| LWCC-DC327LS-03 | 1200           | 50                   | 12          | ≤14         | ≥2800       | Φ327Suction |
| LWCC-DC327MS-04 | 1200           | 50                   | 24          | ≤7          | ≥2800       | Φ327Suction |

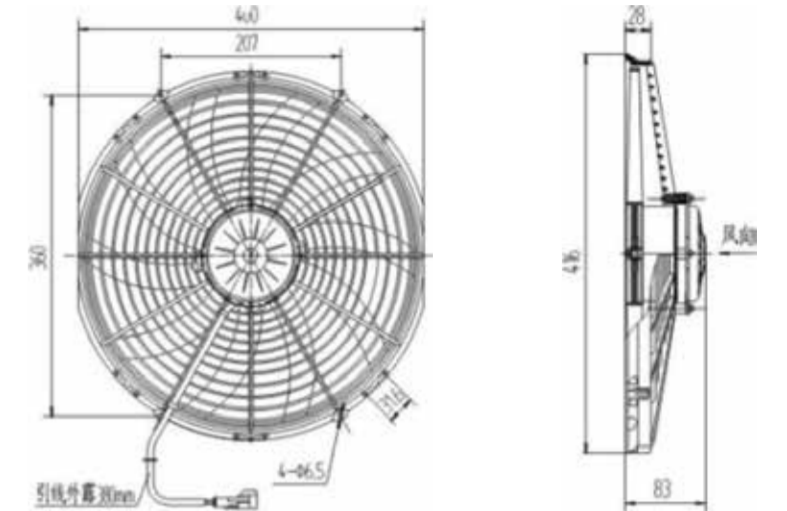
## LWCC-DC330



### Technical Specifications

| Model           | Airflow (m³/h) | Static Pressure (Pa) | Voltage (V) | Current (A) | Speed (rpm) | Remarks     |
|-----------------|----------------|----------------------|-------------|-------------|-------------|-------------|
| LWCC-DC330LS-01 | 1200           | 100                  | 12          | ≤12         | ≥3000       | Φ330Suction |
| LWCC-DC330MS-02 | 1200           | 100                  | 24          | ≤6          | ≥3000       | Φ330Suction |

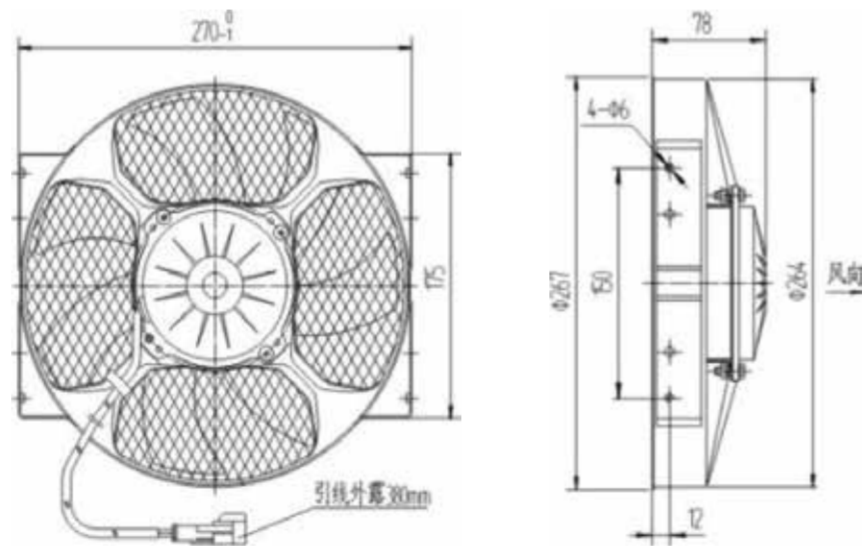
## LWCC-DC385



### Technical Specifications

| Model           | Airflow (m³/h) | Static Pressure (Pa) | Voltage (V) | Current (A) | Speed (rpm) | Remarks     |
|-----------------|----------------|----------------------|-------------|-------------|-------------|-------------|
| LWCC-DC385LB-01 | 1000           | 100                  | 12          | 12          | ≥2000       | Φ385Blowing |
| LWCC-DC385MB-02 | 1000           | 100                  | 24          | 6           | ≥2000       | Φ385Blowing |

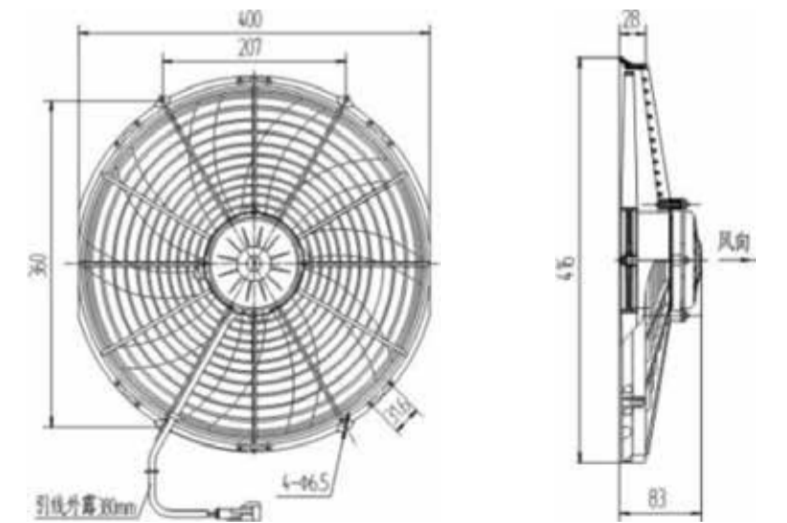
## LWCC-DC255



### Technical Specifications

| Model           | Airflow (m³/h) | Static Pressure (Pa) | Voltage (V) | Current (A) | Speed (rpm) | Remarks     |
|-----------------|----------------|----------------------|-------------|-------------|-------------|-------------|
| LWCC-DC255LS-01 | 900            | 100                  | 12          | ≤11         | ≥3300       | Φ255Suction |
| LWCC-DC255MS-02 | 900            | 100                  | 24          | ≤5.5        | ≥3300       | Φ255Suction |

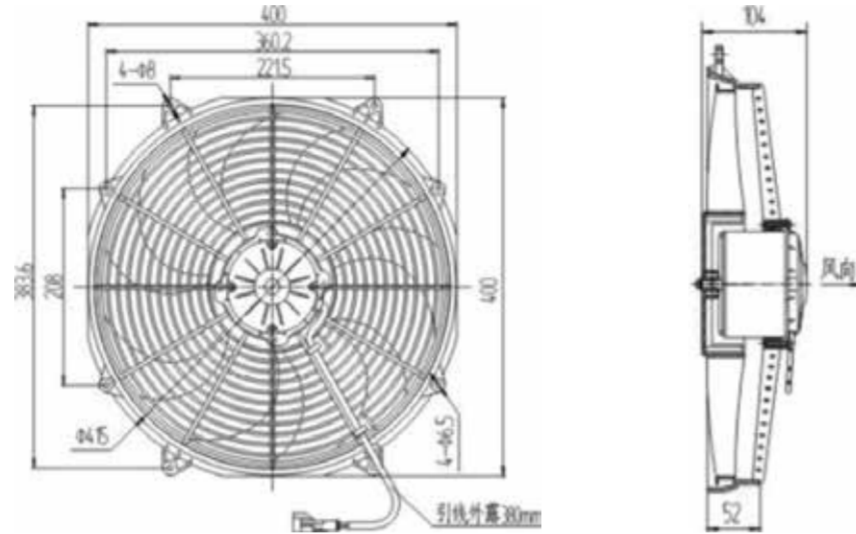
## LWCC-DC385



### Technical Specifications

| Model           | Airflow (m³/h) | Static Pressure (Pa) | Voltage (V) | Current (A) | Speed (rpm) | Remarks     |
|-----------------|----------------|----------------------|-------------|-------------|-------------|-------------|
| LWCC-DC385LS-03 | 1000           | 100                  | 12          | 12          | ≥2000       | Φ385Suction |
| LWCC-DC385MS-04 | 1000           | 100                  | 24          | 6           | ≥2000       | Φ385Suction |

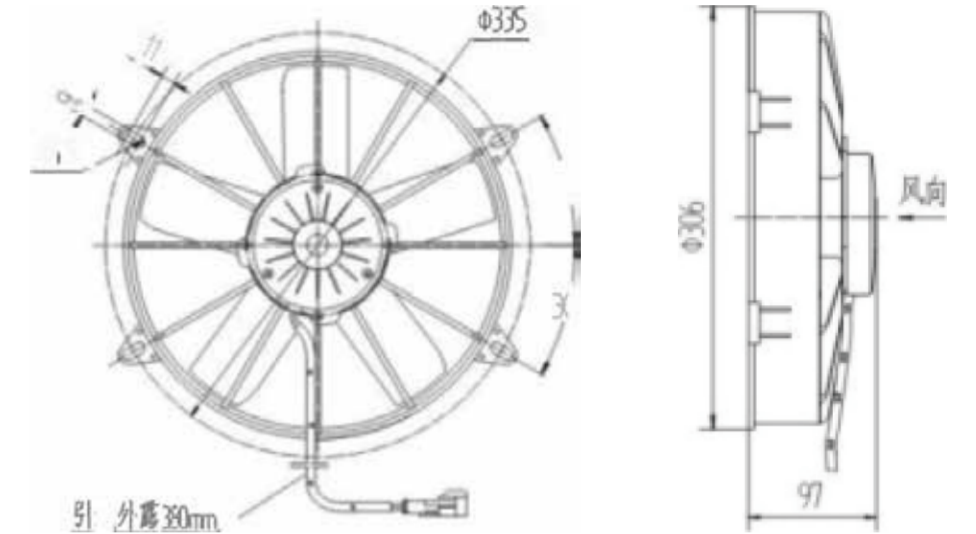
## LWCC-DC385



### Technical Specifications

| Model           | Airflow (m³/h) | Static Pressure (Pa) | Voltage (V) | Current (A) | Speed (rpm) | Remarks     |
|-----------------|----------------|----------------------|-------------|-------------|-------------|-------------|
| LWCC-DC385LS-05 | 2500           | 100                  | 12          | 23          | ≥2500       | Φ385Suction |
| LWCC-DC385MS-06 | 2500           | 100                  | 24          | 11          | ≥2500       | Φ385Suction |

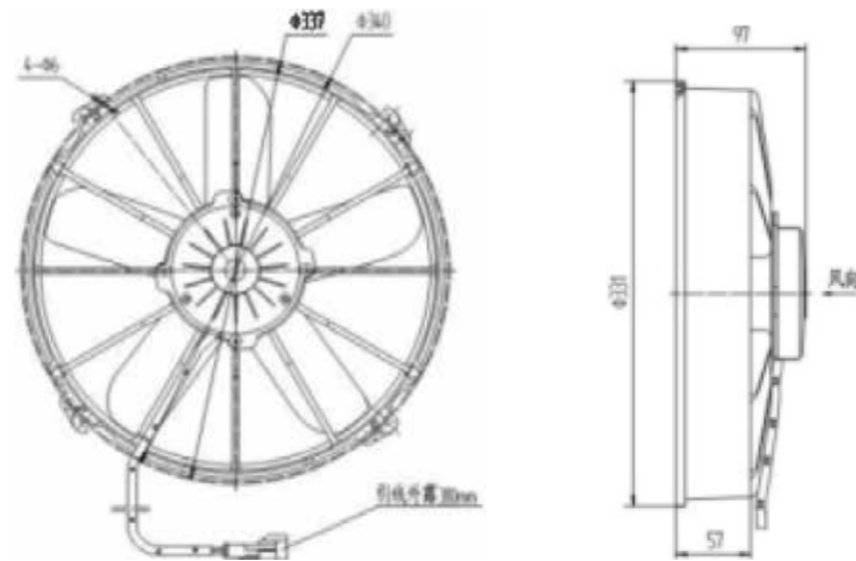
## LWCC-DC280



### Technical Specifications

| Model           | Airflow (m³/h) | Static Pressure (Pa) | Voltage (V) | Current (A) | Speed (rpm) | Remarks     |
|-----------------|----------------|----------------------|-------------|-------------|-------------|-------------|
| LWCC-DC280LB-17 | 1800           | 100                  | 12          | ≤16         | ≥3200       | Φ280Blowing |
| LWCC-DC280MB-18 | 1800           | 100                  | 24          | ≤8          | ≥3200       | Φ280Blowing |

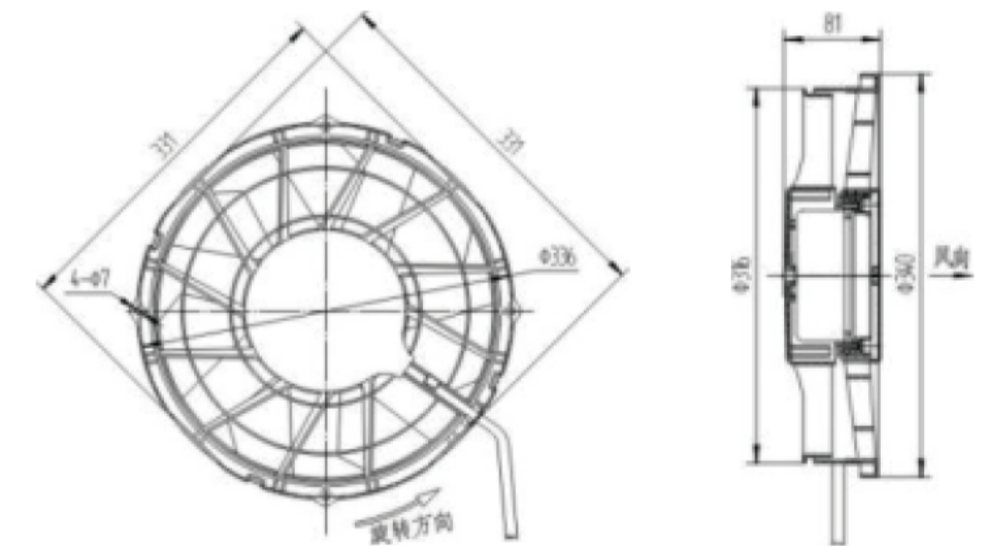
## LWCC-DC305



### Technical Specifications

| Model           | Airflow (m³/h) | Static Pressure (Pa) | Voltage (V) | Current (A) | Speed (rpm) | Remarks     |
|-----------------|----------------|----------------------|-------------|-------------|-------------|-------------|
| LWCC-DC305LB-21 | 2200           | 100                  | 12          | ≤20         | ≥3200       | Φ305Blowing |
| LWCC-DC305MB-22 | 2200           | 100                  | 24          | ≤10         | ≥3200       | Φ305Blowing |

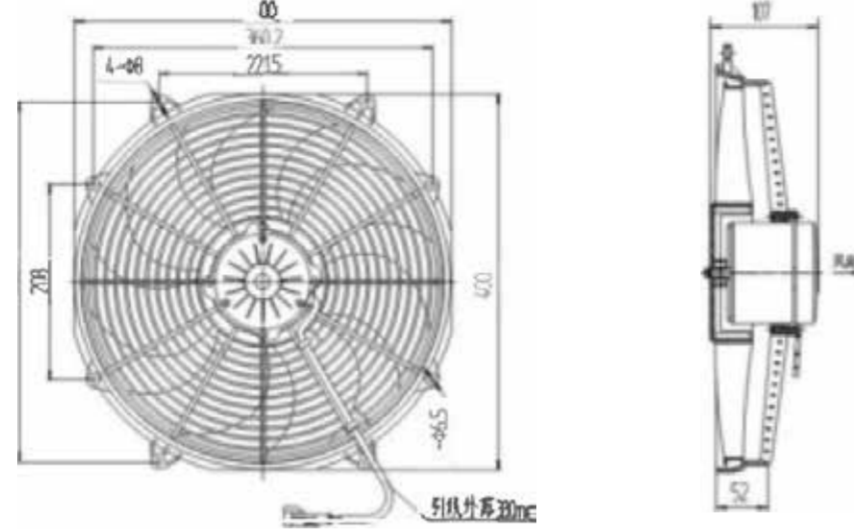
## LWCC-DC316



### Technical Specifications

| Model           | Airflow (m³/h) | Static Pressure (Pa) | Voltage (V) | Current (A) | Speed (rpm) | Remarks     |
|-----------------|----------------|----------------------|-------------|-------------|-------------|-------------|
| LWCC-DC316LS-03 | 2400           | 100                  | 12          | ≤18         | ≥3200       | Φ316Suction |
| LWCC-DC316MS-04 | 2400           | 100                  | 24          | ≤9          | ≥3200       | Φ316Suction |

## LWCC-DC385



### Technical Specifications

| Model           | Airflow (m³/h) | Static Pressure (Pa) | Voltage (V) | Current (A) | Speed (rpm) | Remarks     |
|-----------------|----------------|----------------------|-------------|-------------|-------------|-------------|
| LWCC-DC385LS-07 | 1200           | 100                  | 12          | 23          | ≥2500       | Φ385Suction |
| LWCC-DC385MS-08 | 1200           | 100                  | 24          | 11          | ≥2500       | Φ385Suction |