

# Motors

Professional HVAC Fan & Motors Manufacturer



## AC 72 Motor

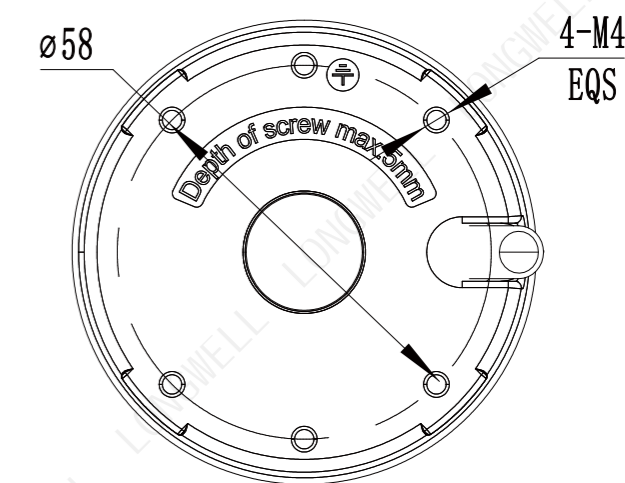
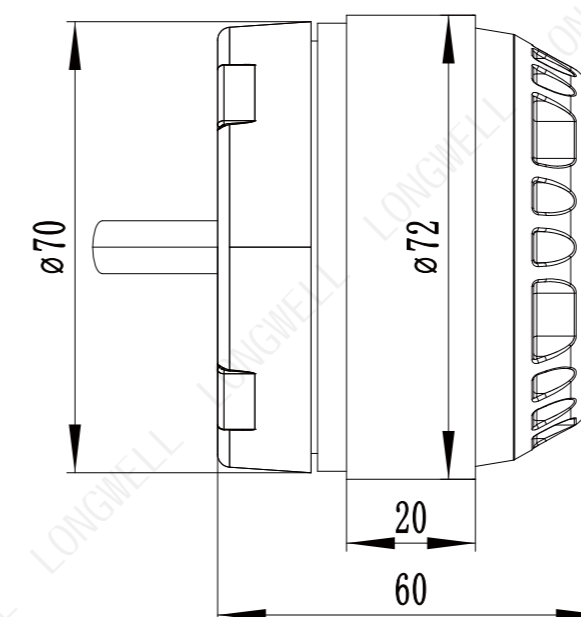
### Product Characteristic

- Direction of rotation: CW/CCW(viewed from rotor end)
- Protection Class: IP44
- Insulation Class: F
- Mode Of Operation: S1
- Bearings: Maintenance-free ball bearings
- Technical Feature: Thermal protection



### Technical Specifications

Model	Stack Thickness	Voltage (V)	Frequency (Hz)	Power (W)	Speed (RPM)	Current (A)	Temperature
LW-ACM072S-01	20	220	50	55	2750	0.26	-40 C ~ 65 C
LW-ACM072U-02	20	115	60	52	3200	0.47	-40 C ~ 65 C



Outside length of shaft: Customization

# AC 92 Motor

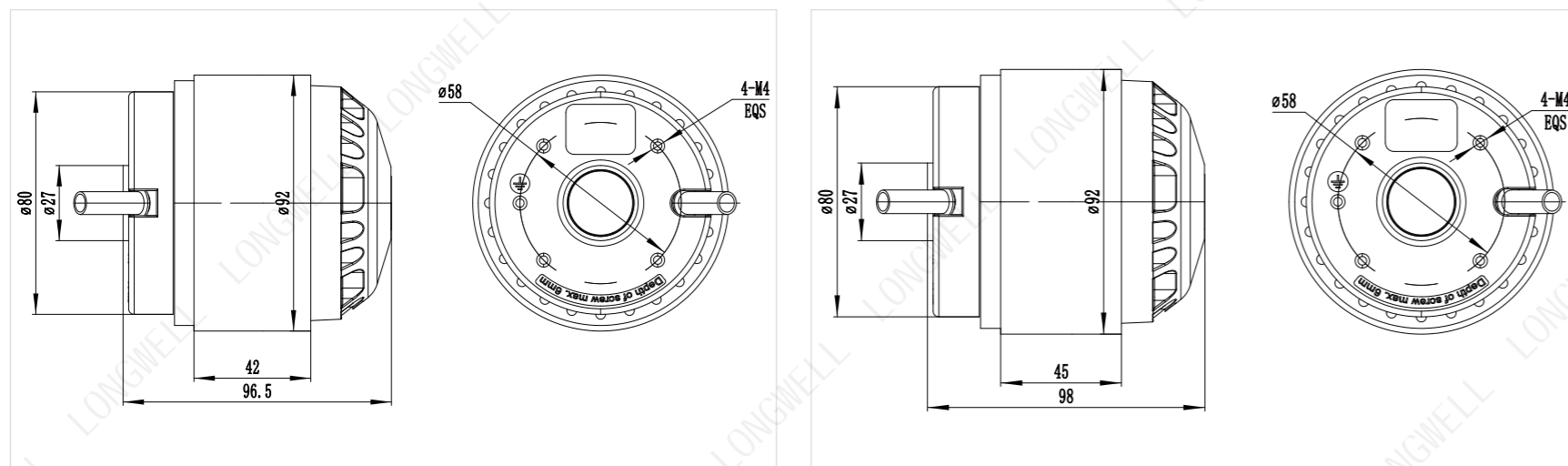
## Product Characteristic

- Direction of rotation: CW/CCW(viewed from rotor end)
- Protection Class: IP44
- Insulation Class: F
- Mode Of Operation: S1
- Bearings: Maintenance-free ball bearings
- Technical Feature: Thermal protection



## Technical Specifications

Model	Stack Thickness	Voltage (V)	Frequency (Hz)	Power (W)	Speed (RPM)	Current (A)	Temperature
LW-ACM092S-01	45	220	50/60	280	2300	1.24	-40 C ~ 65 C
LW-ACM092U-02	42	115	60	190	2650	/	-40 C ~ 65 C



Outside length of shaft: Customization

# AC 102 Motor

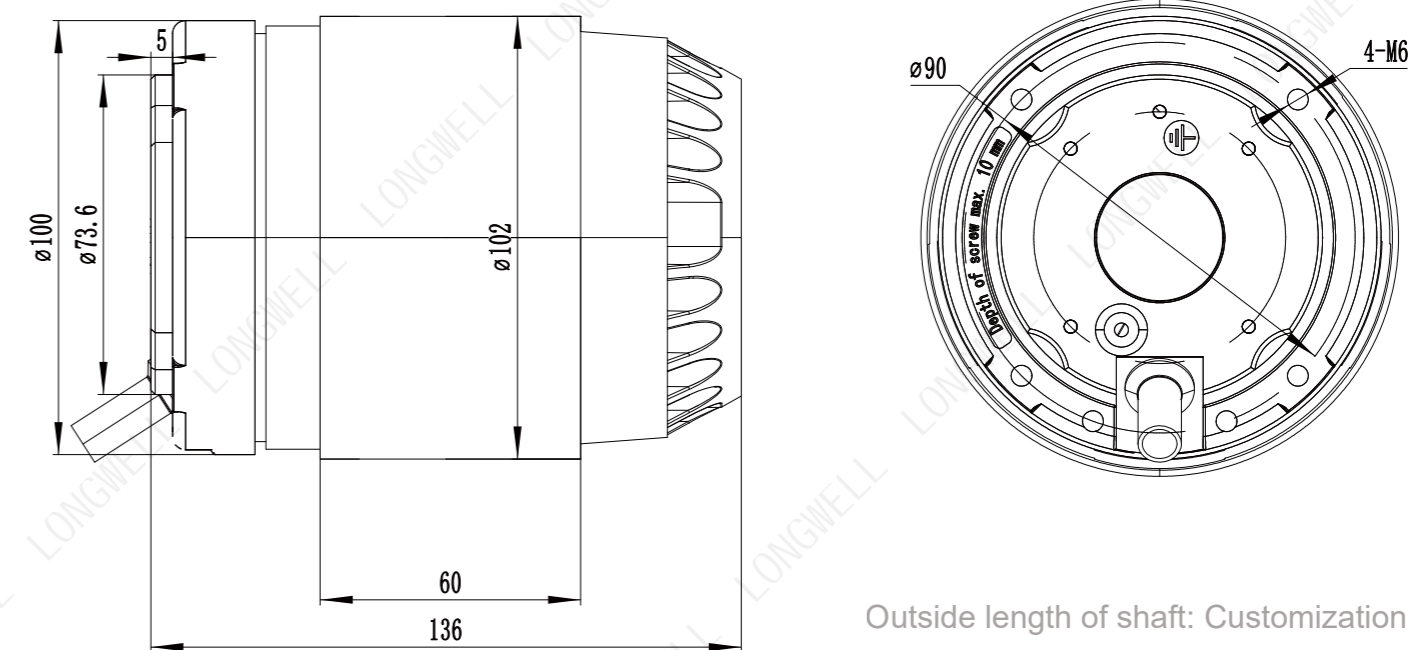
## Product Characteristic

- Direction of rotation: CW/CCW(viewed from rotor end)
- Protection Class: IP54
- Insulation Class: F
- Mode Of Operation: S1
- Bearings: Maintenance-free ball bearings
- Technical Feature: Thermal protection



## Technical Specifications

Model	Stack Thickness	Voltage (V)	Frequency (Hz)	Power (W)	Speed (RPM)	Current (A)	Temperature
LW-ACM102S-01	60	220	50/60	266	1625	1.2	-40 C ~ 65 C
LW-ACM102U-02	60	115	50/60	300	1600	2.6	-40 C ~ 65 C



Outside length of shaft: Customization

## AC 138 Motor

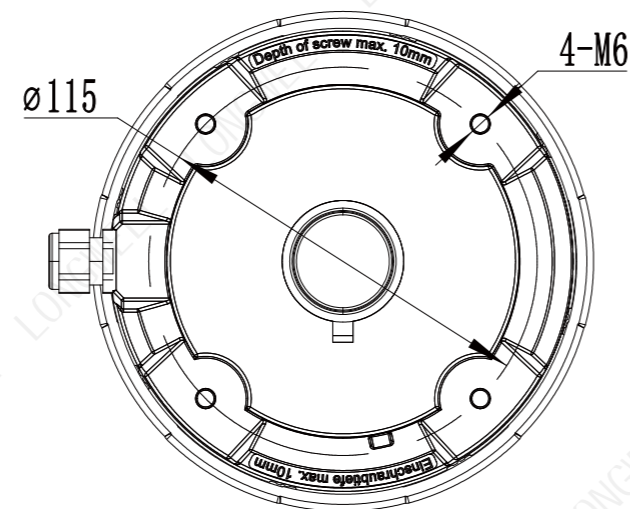
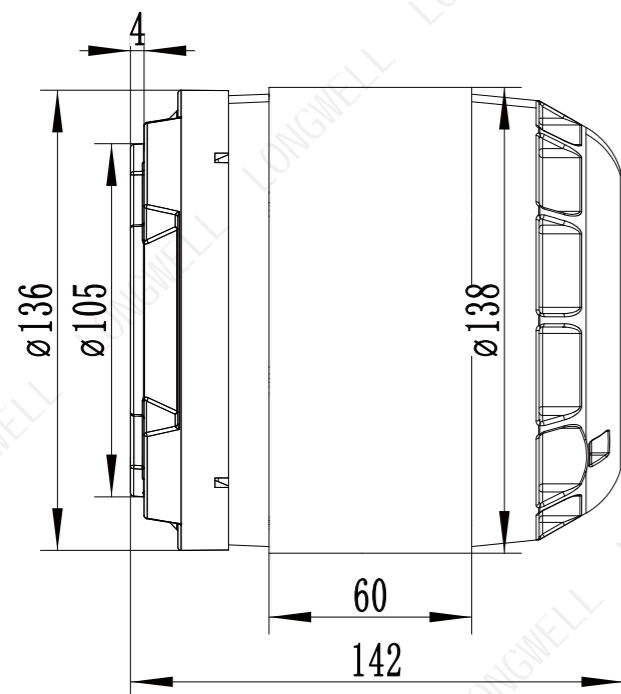
### Product Characteristic

- Direction of rotation: CW/CCW(viewed from rotor end)
- Protection Class: IP54
- Insulation Class: F
- Mode Of Operation: S1
- Bearings: Maintenance-free ball bearings
- Technical Feature: Thermal protection



### Technical Specifications

Model	Stack Thickness	Voltage (V)	Frequency (Hz)	Power (W)	Speed (RPM)	Current (A)	Temperature
LW-ACM138T-01	60	380	50	450	930	1.15	-40°C ~ 65°C



Outside length of shaft: Customization

## AC 188 Motor

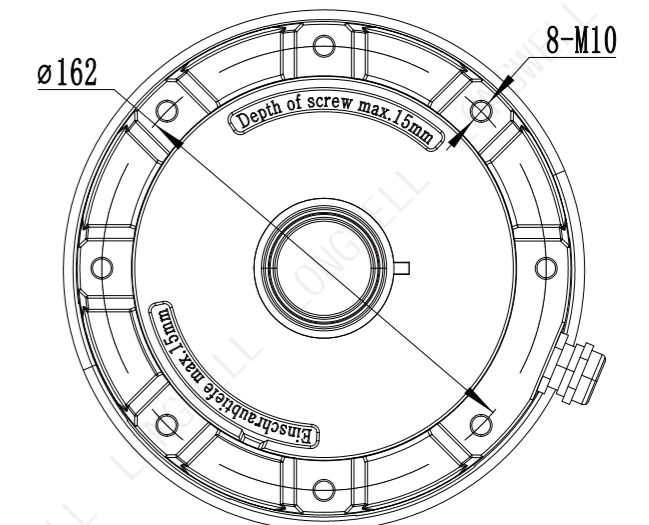
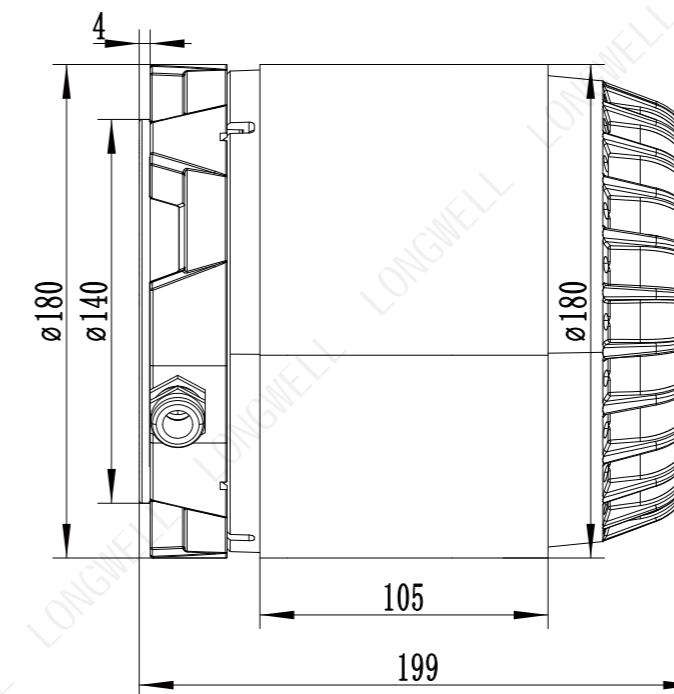
### Product Characteristic

- Direction of rotation: CW/CCW(viewed from rotor end)
- Protection Class: IP54
- Insulation Class: F
- Mode Of Operation: S1
- Bearings: Maintenance-free ball bearings
- Technical Feature: Thermal protection



### Technical Specifications

Model	Stack Thickness	Voltage (V)	Frequency (Hz)	Power (W)	Speed (RPM)	Current (A)	Temperature
LW-ACM188T-01	105	380	50	1680	930	4.6	-40°C ~ 65°C



Outside length of shaft: Customization

# DC 37 Motor

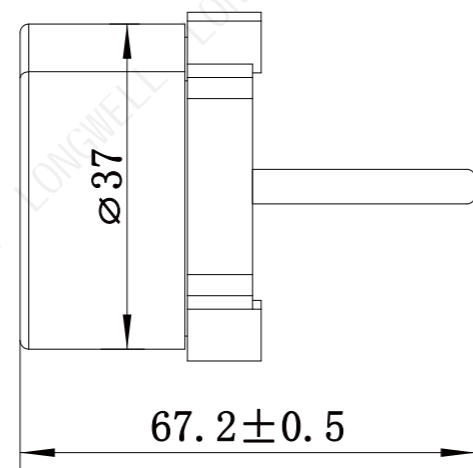
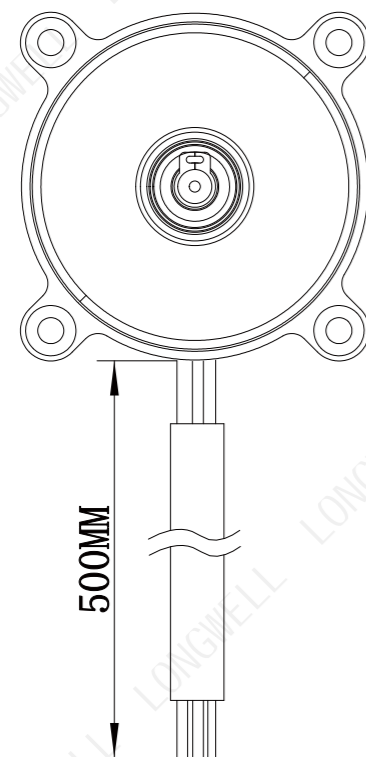
## Product Characteristic

- Control Input: 0-10VDC/PWM
- Direction of Rotation: CW/CCW(viewed from rotor end)
- Protection Class: IP42
- Insulation Class: B
- Mode Of Operation: S1
- Bearings: Maintenance-free ball bearings
- Technical Feature: Thermal protection,Soft start protection,Blocking protection



## Technical Specifications

Model	Stack Thickness	Voltage (V)	Frequency (Hz)	Power (W)	Speed (RPM)	Current (A)	Temperature
LW-DCM037M-01	/	24	50/60	19.2	3000	0.8	-10°C ~ 85°C
LW-DCM037L-02	/	12	50/60	9.6	3000	0.8	-10°C ~ 85°C
LW-DCM037H-03	/	48	50/60	14.4	3000	0.3	-10°C ~ 85°C



Outside length of shaft: Customization

# DC 53 Motor

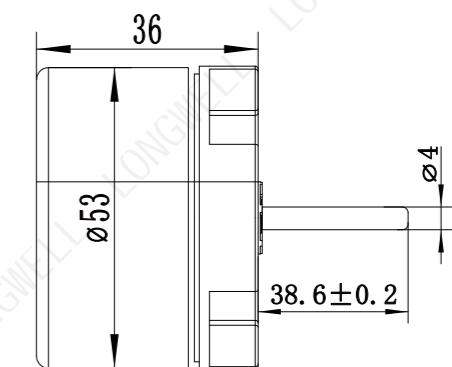
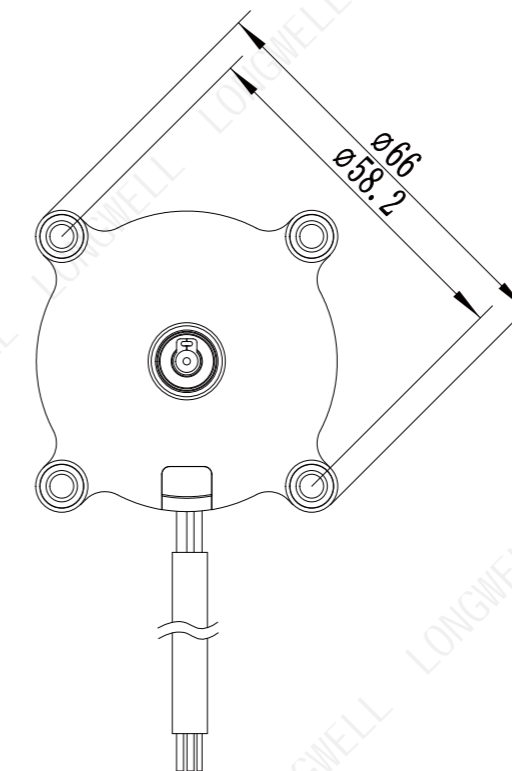
## Product Characteristic

- Control Input: 0-10VDC/PWM
- Direction of Rotation: CW/CCW(viewed from rotor end)
- Protection Class: IP42
- Insulation Class: B
- Mode Of Operation: S1
- Bearings: Maintenance-free ball bearings
- Technical Feature: Thermal protection,Soft start protection,Blocking protection



## Technical Specifications

Model	Stack Thickness	Voltage (V)	Frequency (Hz)	Power (W)	Speed (RPM)	Current (A)	Temperature
LW-DCM053M-01	/	24	50/60	19.2	3000	0.8	-10°C ~ 85°C
LW-DCM053L-02	/	12	50/60	9.6	3000	0.8	-10°C ~ 85°C
LW-DCM053H-03	/	48	50/60	24	3000	0.5	-10°C ~ 85°C



Outside length of shaft: Customization

# DC 61 Motor



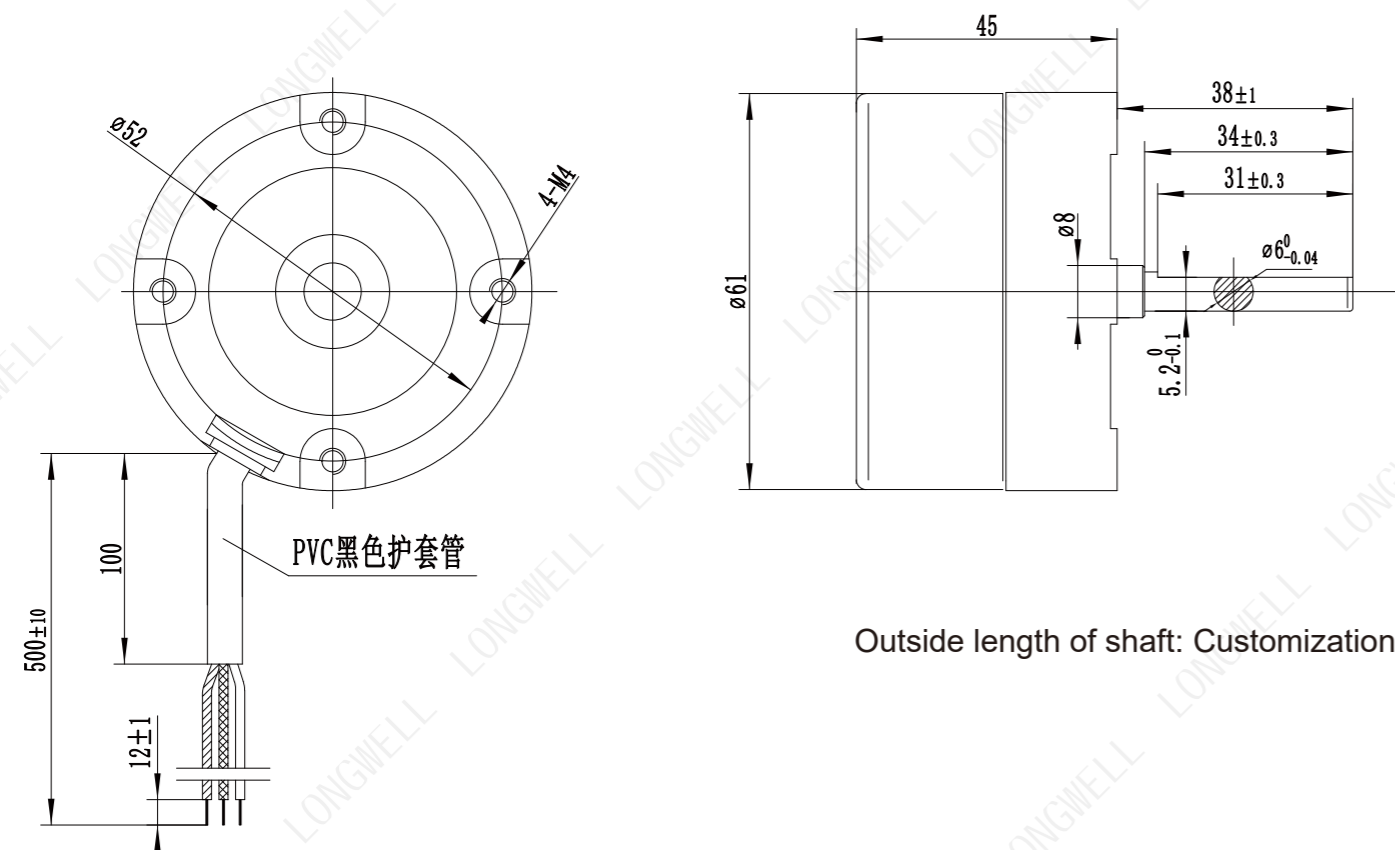
## Product Characteristic

- Control Input: 0-10VDC/PWM
- Direction of Rotation: CW/CCW(viewed from rotor end)
- Protection Class: IP42
- Insulation Class: B
- Mode Of Operation: S1
- Bearings: Maintenance-free ball bearings
- Technical Feature: Thermal protection,Soft start protection,Blocking protection



## Technical Specifications

Model	Stack Thickness	Voltage (V)	Frequency (Hz)	Power (W)	Speed (RPM)	Current (A)	Temperature
LW-DCM061M-01	/	24	50/60	50	1600	2.2	-10°C ~ 40°C



# DC 72 Motor



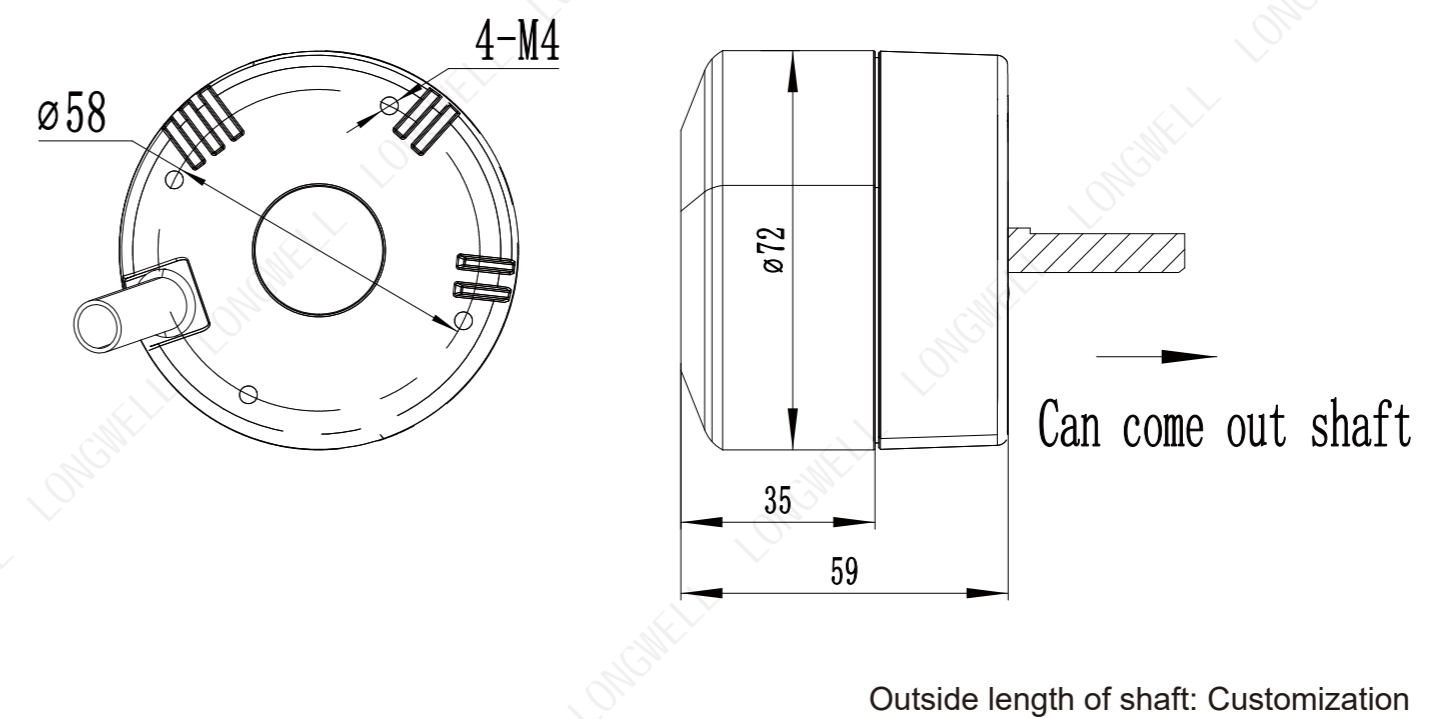
## Product Characteristic

- Control Input: 0-10VDC/PWM
- Direction of Rotation: CW/CCW(viewed from rotor end)
- Protection Class: IP44
- Insulation Class: F
- Mode Of Operation: S1
- Bearings: Maintenance-free ball bearings
- Technical Feature: Thermal protection,Soft start protection,Blocking protection



## Technical Specifications

Model	Stack Thickness	Voltage (V)	Frequency (Hz)	Power (W)	Speed (RPM)	Current (A)	Temperature
LW-DCM072M-01	15	24	50/60	35	2200	2.3	-20°C ~ 55°C
LW-DCM072H-02	15	48	50/60	70	4000	1.67	-20°C ~ 55°C



## DC 92 Motor

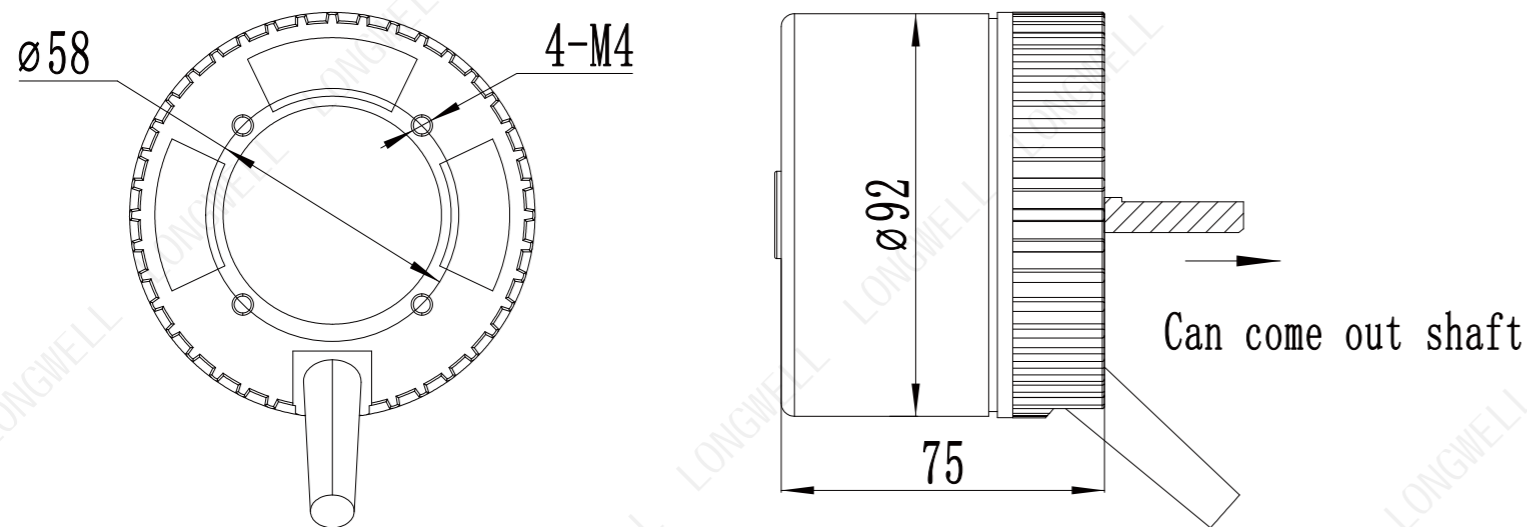
### Product Characteristic

- Control Input: 0-10VDC/PWM
- Direction of Rotation: CW/CCW(viewed from rotor end)
- Protection Class: IP44
- Insulation Class: F
- Mode Of Operation: S1
- Bearings: Maintenance-free ball bearings
- Technical Feature: Thermal protection,Soft start protection,Blocking protection



### Technical Specifications

Model	Stack Thickness	Voltage (V)	Frequency (Hz)	Power (W)	Speed (RPM)	Current (A)	Temperature
LW-DCM092H-01	25	48	50/60	200	1150	16	-20°C ~ 55°C



Outside length of shaft: Customization

## DC 102 Motor

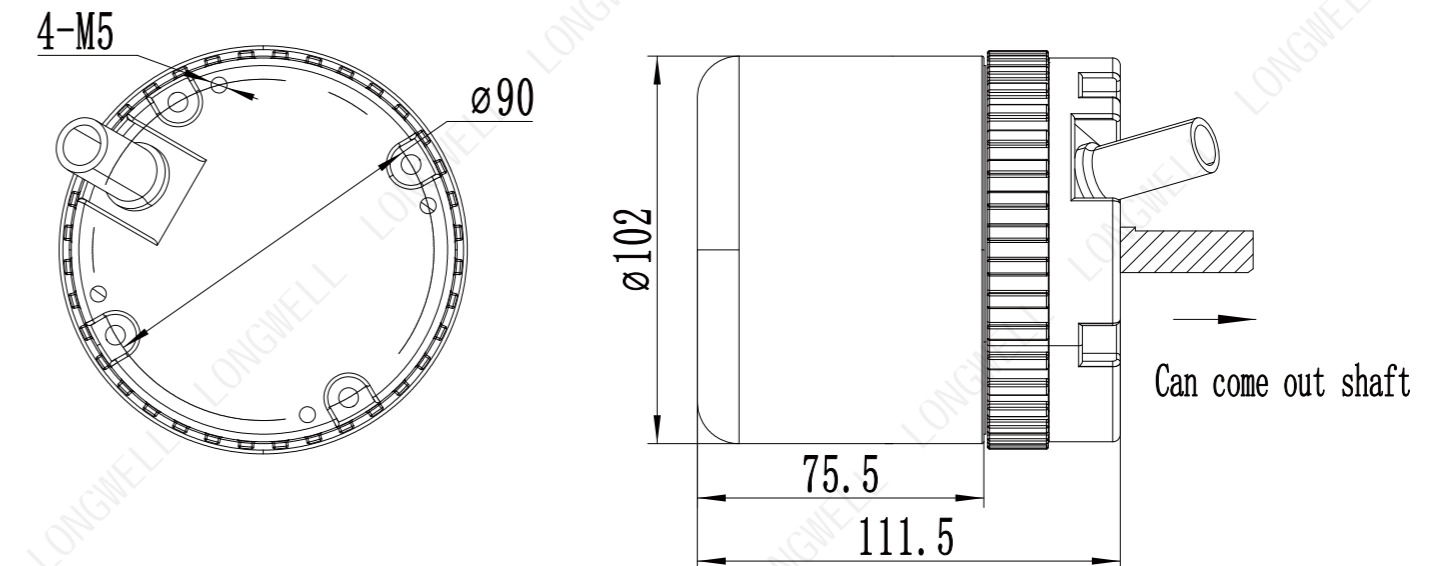
### Product Characteristic

- Control Input: 0-10VDC/PWM
- Direction of Rotation: CW/CCW(viewed from rotor end)
- Protection Class: IP54
- Insulation Class: F
- Mode Of Operation: S1
- Bearings: Maintenance-free ball bearings
- Technical Feature: Thermal protection,Soft start protection,Blocking protection



### Technical Specifications

Model	Stack Thickness	Voltage (V)	Frequency (Hz)	Power (W)	Speed (RPM)	Current (A)	Temperature
LW-DCM102H-01	40	48	50/60	320	2300	13	-20°C ~ 55°C



Outside length of shaft: Customization

## EC 72 Motor

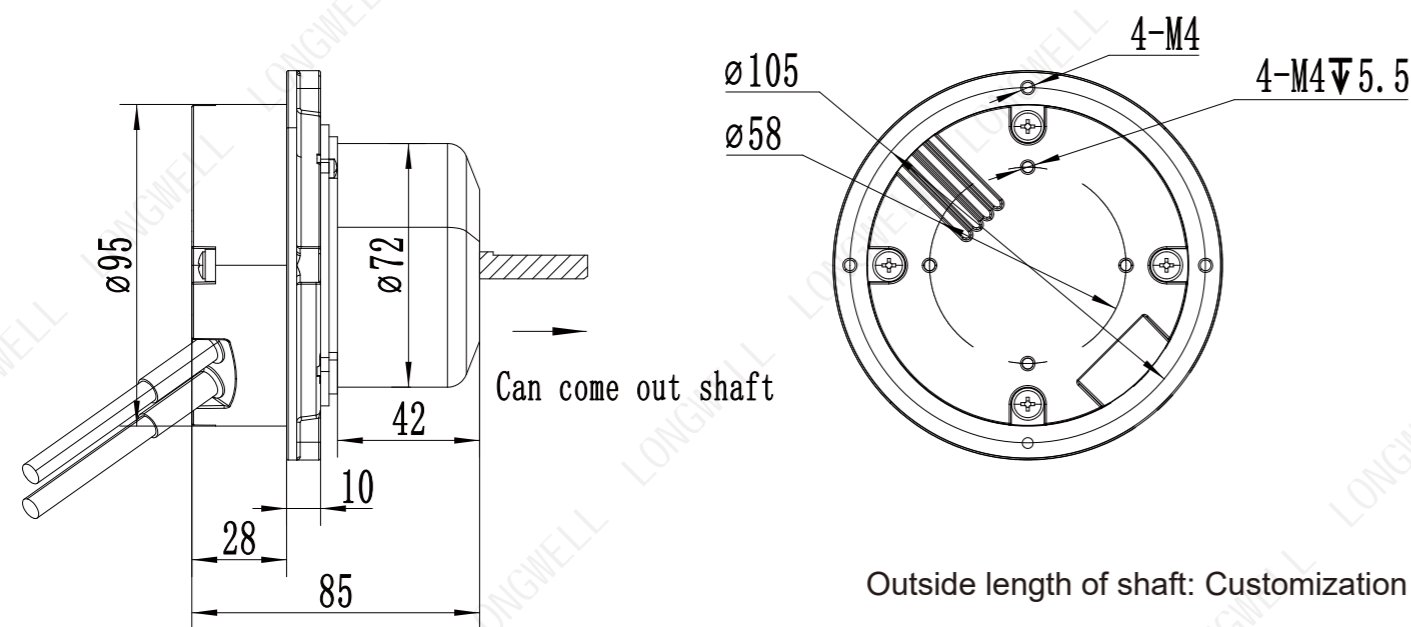
### Product Characteristic

- Control Input: 0-10VDC/PWM
- Direction of Rotation: CW/CCW(viewed from rotor end)
- Protection Class: IP44
- Insulation Class: F
- Mode Of Operation: S1
- Bearings: Maintenance-free ball bearings
- Technical Feature: Thermal protection,Soft start protection,Blocking protection



### Technical Specifications

Model	Stack Thickness	Voltage (V)	Frequency (Hz)	Power (W)	Speed (RPM)	Current (A)	Temperature
LW-ECM072S-01	25	220	50/60	88	5200	0.5	-20°C ~ 55°C



## EC 92 Motor

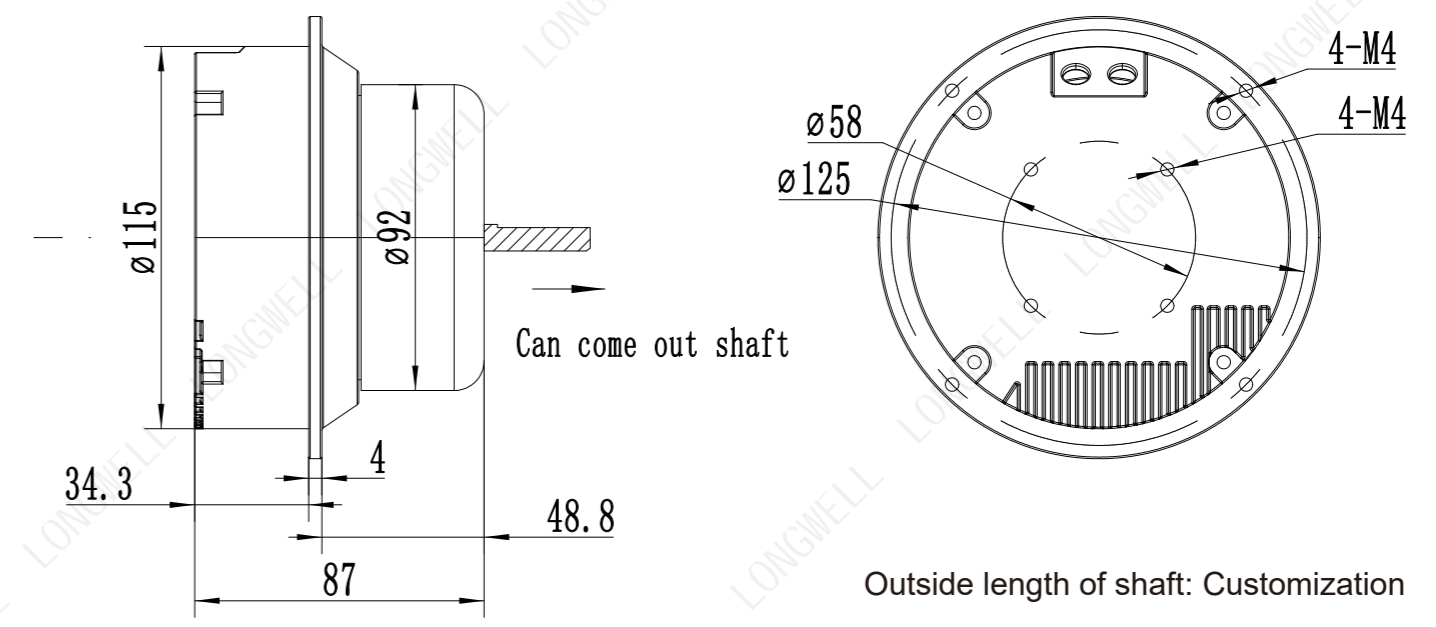
### Product Characteristic

- Control Input: 0-10VDC/PWM
- Direction of Rotation: CW/CCW(viewed from rotor end)
- Protection Class: IP44
- Insulation Class: F
- Mode Of Operation: S1
- Bearings: Maintenance-free ball bearings
- Technical Feature: Thermal protection,Soft start protection,Blocking protection



### Technical Specifications

Model	Stack Thickness	Voltage (V)	Frequency (Hz)	Power (W)	Speed (RPM)	Current (A)	Temperature
LW-ECM092S-01	15	220	50/60	215	3050	1.6	-20°C ~ 55°C



## EC 102 Motor

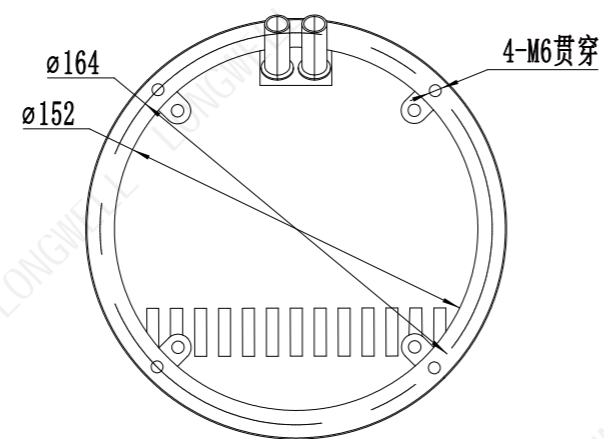
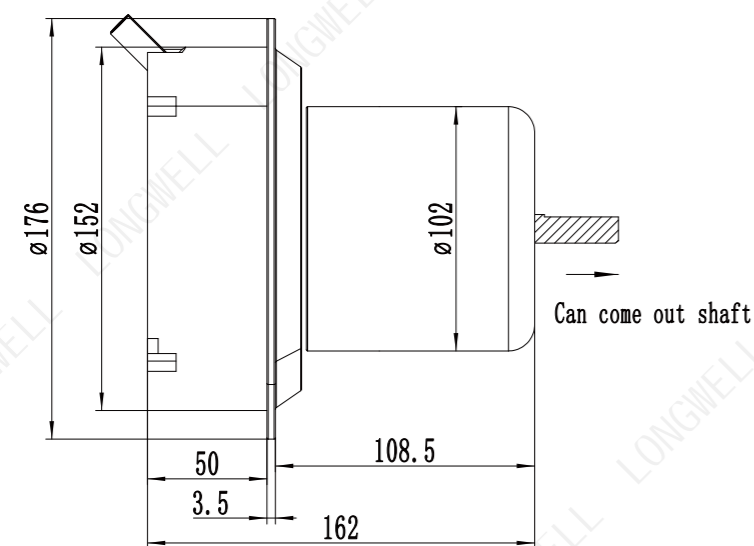
### Product Characteristic

- Control Input: 0-10VDC/PWM
- Direction of Rotation: CW/CCW(viewed from rotor end)
- Protection Class: IP54
- Insulation Class: F
- Mode Of Operation: S1
- Bearings: Maintenance-free ball bearings
- Technical Feature: Thermal protection,Soft start protection,Blocking protection



### Technical Specifications

Model	Stack Thickness	Voltage (V)	Frequency (Hz)	Power (W)	Speed (RPM)	Current (A)	Temperature
LW-ECM102S-01	40	220	50/60	500	1520	3.6	-20°C ~ 55°C



Outside length of shaft: Customization

## EC 138 Motor

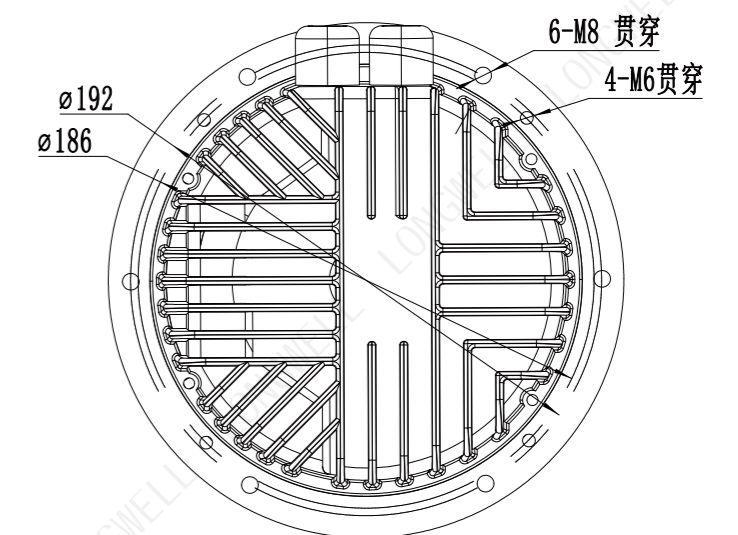
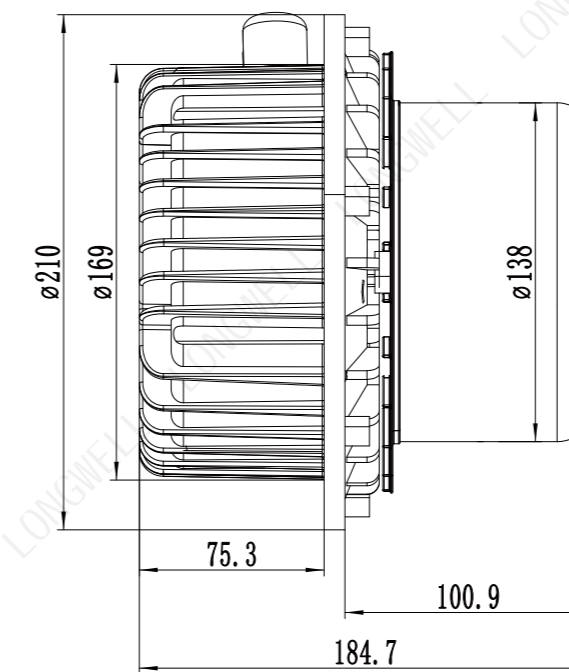
### Product Characteristic

- Control Input: 0-10VDC/PWM
- Direction of Rotation: CW/CCW(viewed from rotor end)
- Protection Class: IP54
- Insulation Class: F
- Mode Of Operation: S1
- Bearings: Maintenance-free ball bearings
- Technical Feature: Thermal protection,Soft start protection,Blocking protection



### Technical Specifications

Model	Stack Thickness	Voltage (V)	Frequency (Hz)	Power (W)	Speed (RPM)	Current (A)	Temperature
LW-ECM138T-01	40	380	50/60	1350	1720	3.55	-20°C ~ 55°C



Outside length of shaft: Customization

# EC 188 Motor

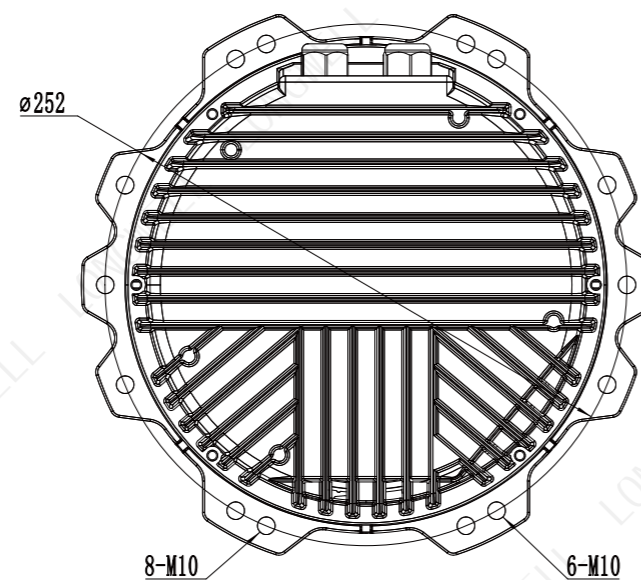
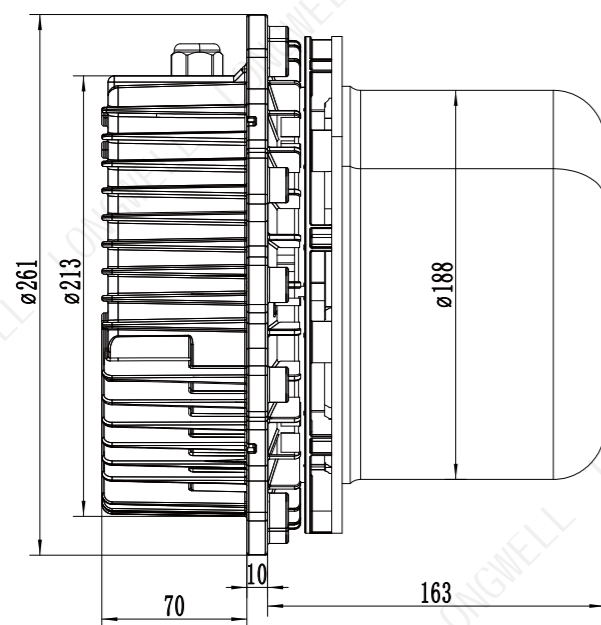
## Product Characteristic

- Control Input: 0-10VDC/PWM
- Direction of Rotation: CW/CCW(viewed from rotor end)
- Protection Class: IP54
- Insulation Class: F
- Mode Of Operation: S1
- Bearings: Maintenance-free ball bearings
- Technical Feature: Thermal protection,Soft start protection,Blocking protection



## Technical Specifications

Model	Stack Thickness	Voltage (V)	Frequency (Hz)	Power (W)	Speed (RPM)	Current (A)	Temperature
LW-ECM188T-01	85	380	50/60	2830	1260	10.32	-20°C ~ 55°C



Outside length of shaft: Customization

# EC 188 Motor

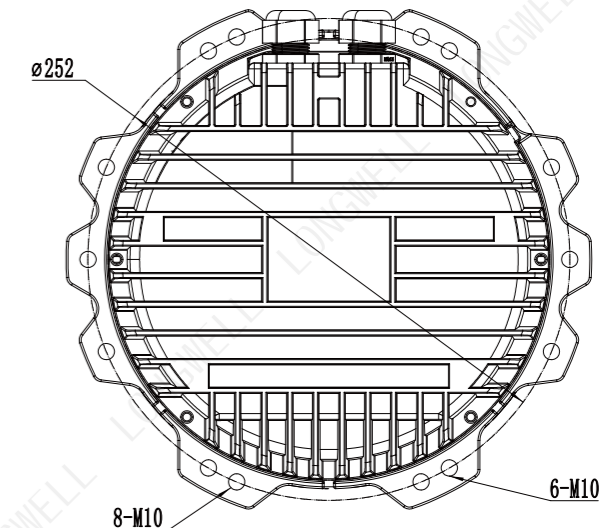
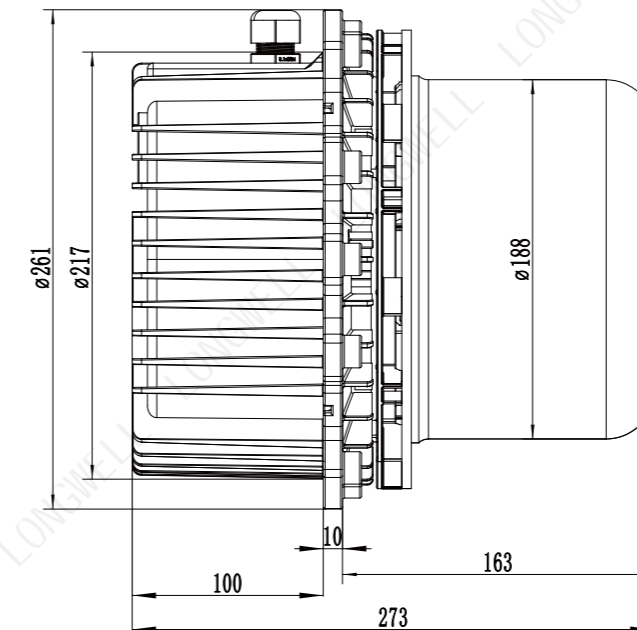
## Product Characteristic

- Control Input: 0-10VDC/PWM
- Direction of Rotation: CW/CCW(viewed from rotor end)
- Protection Class: IP54
- Insulation Class: F
- Mode Of Operation: S1
- Bearings: Maintenance-free ball bearings
- Technical Feature: Thermal protection,Soft start protection,Blocking protection



## Technical Specifications

Model	Stack Thickness	Voltage (V)	Frequency (Hz)	Power (W)	Speed (RPM)	Current (A)	Temperature
LW-ECM188T-02	85	380	50/60	3800	1380	10.32	-20°C ~ 55°C



Outside length of shaft: Customization