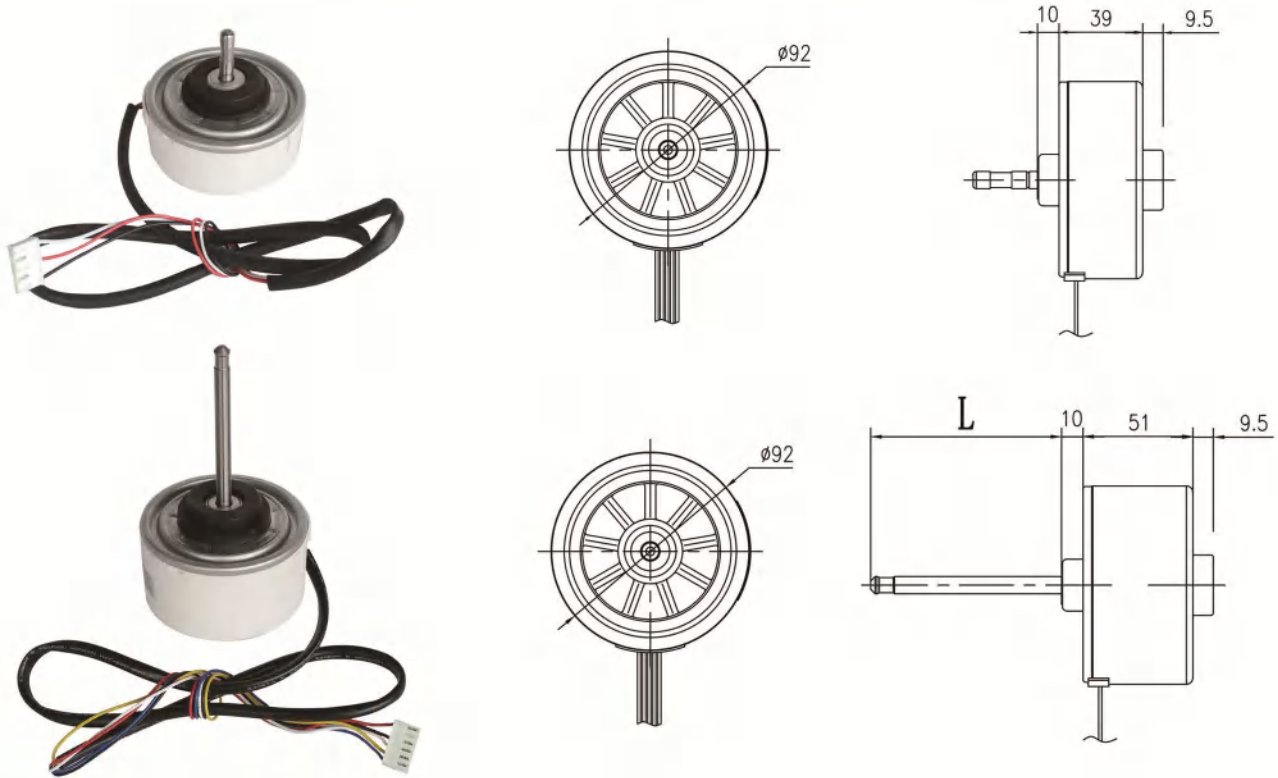






Brushless DC Motor - Resin Packed Series



Motor Introduction

-  Brushless DC Motor is an important product and industry of “Made in China 2025” strategy, which is in line with energy conversation, environmental protection and other industrial requirements, greatly reduce the energy conversation, environment protection and other industrial requirements, greatly reduce the energy consumption of related products.
-  With high efficiency, long service life, efficiency conversion is more than 70%
-  With high efficiency, long service life, efficiency conversion is more than 70%
-  With high efficiency, long service life, efficiency conversion is more than 70%

Main Technical Data

Model	Voltage	Speed	Output Power	INS.	Noise
ZDK-30-8SF	310VDC	1550RPM	10W-30W	B	≤25dBA
ZDK-60-8SF	310VDC	1550RPM	40W-60W	B	≤25dBA

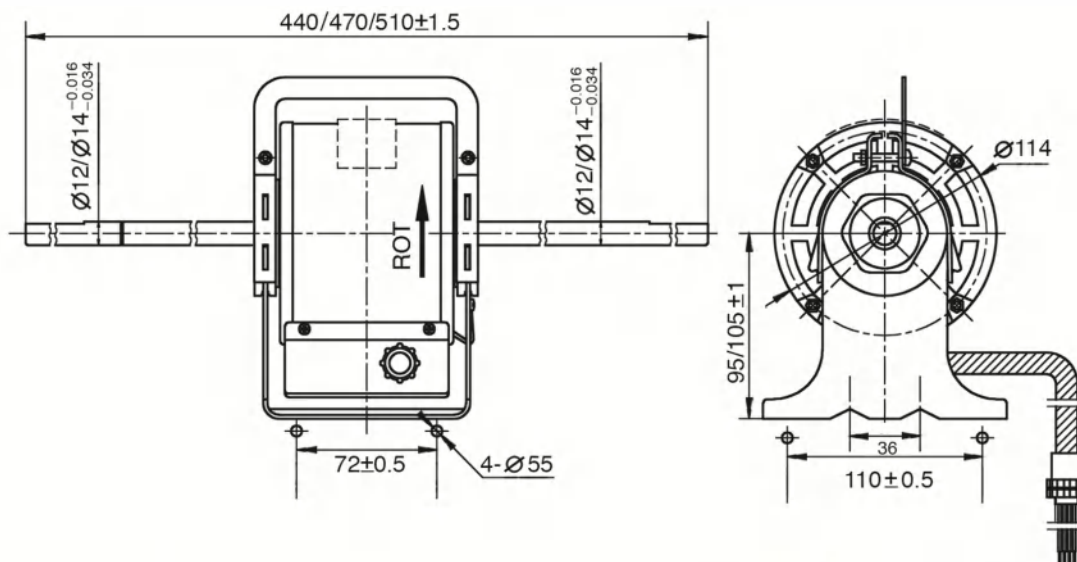
Single-Phase Capacitor-Running Motor For Coil UNI TS



Introduction

- 1.Voltage can be 100-415V,50/60Hz.Output power is 4-150W.It can be provided according to customers' requirements.
- 2.Adopt international famous brand low-noise rolling bearing.
- 3.The motor applies to FP34-FP238 of fan coil units.Static press can be provided according to the requirements of customers.
- 4.The shafts are treated with hardening and tempering,and plated with ni-coating,and motor housing with plastic.
- 5.Motor Insulation class: E/B/F, Protection grade of motor enclosure: IP00-IP54.It can be provided according to customers' requirements.

Outline Dimensions



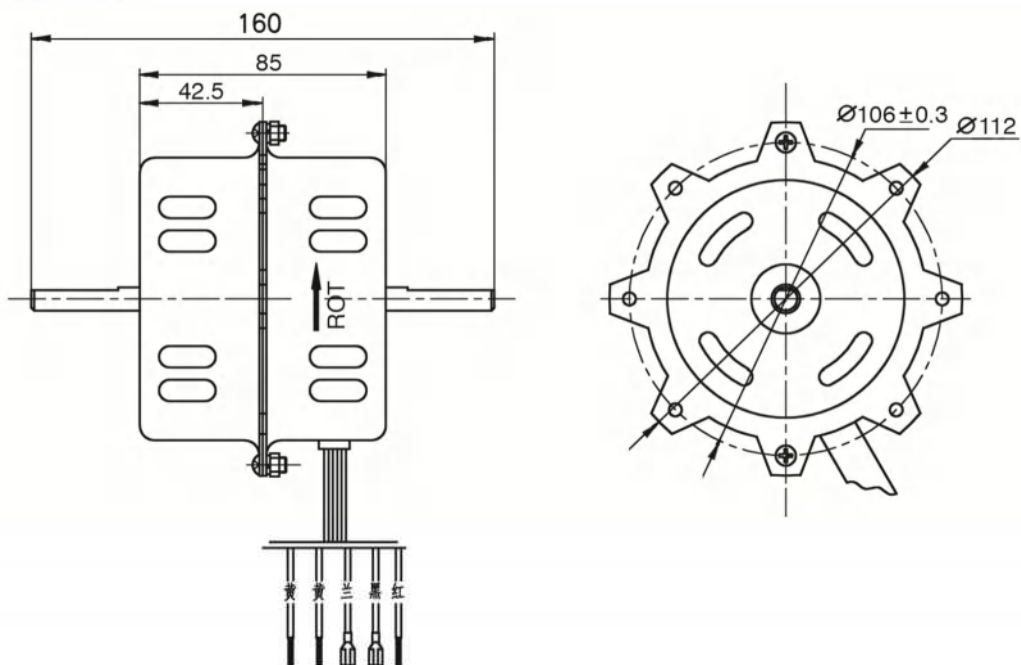
Main Technical Data

Type	Static Press	Voltage/Frequency	Motor Type	Output Power	Input Power	Current	Speed	Noise
FP34	12Pa	220V/50Hz	YDK10-4C	10W	34W	0.15A	820R/Min	≤37dBA
FP34	30Pa	220V/50Hz	YDK12-4C	12W	41W	0.18A	900R/Min	≤40dBA
FP34	50Pa	220V/50Hz	YDK18-4C	16W	48W	0.21A	1130R/Min	≤42dBA
FP51	12Pa	220V/50Hz	YSK12-4C	12W	48W	0.19A	810R/Min	≤39dBA
FP51	30Pa	220V/50Hz	YSK18-4C	18W	56W	0.25A	950R/Min	≤42dBA
FP51	50Pa	220V/50Hz	YSK28-4C	22W	68W	0.30A	1120R/Min	≤44dBA
FP68	12Pa	220V/50Hz	YSK18-4C	20W	55W	0.25A	840R/Min	≤41dBA
FP68	30Pa	220V/50Hz	YSK30-4C	25W	76W	0.32A	1030R/Min	≤44dBA
FP68	50Pa	220V/50Hz	YSK40-4C	40W	81W	0.36A	1160R/Min	≤46dBA
FP85	12Pa	220V/50Hz	YSK32-4C	28W	77W	0.34A	980R/Min	≤43dBA
FP85	30Pa	220V/50Hz	YSK34-4C	35W	87W	0.40A	1050R/Min	≤46dBA
FP85	50Pa	220V/50Hz	YSK54-4C	45W	95W	0.43A	1230R/Min	≤47dBA
FP102	12Pa	220V/50Hz	YSK41-4C	30W	98W	0.45A	1040R/Min	≤45dBA
FP102	30Pa	220V/50Hz	YSK52-4C	40W	112W	0.47A	1150R/Min	≤47dBA
FP102	50Pa	220V/50Hz	YSK65-4C	55W	114W	0.50A	1240R/Min	≤49dBA
FP136	12Pa	220V/50Hz	YDK12-4C	18W	140W	0.64A	940R/Min	≤46dBA
FP136	12Pa	220V/50Hz	YSK41-4C	30W	140W	0.64A	940R/Min	≤46dBA
FP136	30Pa	220V/50Hz	YSK37-4C	37W	149W	0.69A	1080R/Min	≤48dBA
FP136	30Pa	220V/50Hz	YSK18-4C	20W	149W	0.69A	1080R/Min	≤48dBA
FP136	50Pa	220V/50Hz	YDK28-4C	22W	170W	0.78A	1240R/Min	≤50dBA
FP136	50Pa	220V/50Hz	YSK65-4C	55W	170W	0.78A	1240R/Min	≤50dBA
FP170	12Pa	220V/50Hz	YSK40-4C	40W	162W	0.78A	1085R/Min	≤48dBA
FP170	30Pa	220V/50Hz	YSK52-4C	52W	174W	0.80A	1150R/Min	≤50dBA
FP170	50Pa	220V/50Hz	YSK60-4C	60W	187W	0.87A	1290R/Min	≤48dBA
FP204	12Pa	220V/50Hz	YSK42-4C	42W	197W	0.90A	1110R/Min	≤50dBA
FP204	30Pa	220V/50Hz	YSK55-4C	55W	228W	1.04A	1150R/Min	≤52dBA
FP204	50Pa	220V/50Hz	YSK72-4C	67W	238W	1.10A	1280R/Min	≤54dBA
FP238	12Pa	220V/50Hz	YSK56-4C	55W	240W	1.02A	1150R/Min	≤52dBA
FP238	30Pa	220V/50Hz	YSK67-4C	63W	251W	1.18A	1210R/Min	≤54dBA
FP238	50Pa	220V/50Hz	YSK100-4C	80W	293W	1.36A	1320R/Min	≤56dBA

Motor For Air Curtain



Dimensions and Mounting Sizes



Type	Voltage	Frequency	Output Power	Pole	Capacitor	Center High	Shaft Diameter
YDK-30-2	220V	50Hz	30W	2	4.0 μ F	105mm	M8mm
YSK-60-2	220V	50Hz	60W	2	6.0 μ F	105mm	M8mm
YSK-60-4	220V	50Hz	60W	4	5.0 μ F	71mm	12mm
YSK-80-4	220V	50Hz	80W	4	6.0 μ F	71mm	12mm
YSK-100-4	220V	50Hz	100W	4	6.0 μ F	71mm	12mm
YSK-120-4	220V	50Hz	120W	4	8.0 μ F	71mm	12mm
YSK-180-4	220V	50Hz	180W	4	10.0 μ F	71mm	12mm
YSK-250-4	220V	50Hz	250W	4	12.0 μ F	71mm	12mm
YSK-280-4	220V	50Hz	280W	4	12.0 μ F	71mm	12mm
YSK-370-4	220V	50Hz	370W	4	16.0 μ F	71mm	12/14mm
YSK-370-4	220V	50Hz	400W	4	16.0 μ F	71mm	14/16mm
YSK-550-4	220V	50Hz	550W	4	16.0 μ F	71mm	14/16mm

Single-Phase Capacitor-Running Motor For EMBEDDING Air-Conditioners



Introduction

1. Voltage can be 208-240V, 50/60Hz, Output power is 10-100W. It can be provided according to customers' requirements.
2. Adopt international famous brand low-noise rolling bearing.
3. The shafts are treated with hardening and tempering, and plated with ni-coating, and motor housing with plastic.
4. Motor Insulation class: E/B/F, Protection grade of motor enclosure: IP00-IP54. It can be provided according to customers' requirements.
5. The motor has low noise, low vibration, high efficiency and different kinds of installation.

Main Technical Data

Type	Voltage	Frequency	Output Power	Speed	Impeller Diameter	Air conditioner Type
YDK-10-8P	220V	50Hz	37W	550R/Min	315mm	34
YDK-12-8P	220V	50Hz	50W	630R/Min	315mm	51
YDK-15-6P	220V	50Hz	58W	780R/Min	315mm	68
YDK-25-6P	220V	50Hz	65W	650R/Min	370mm	85
YDK-30-8P	220V	50Hz	80W	640R/Min	380mm	102
YDK-40-8P	220V	50Hz	100W	740R/Min	380mm	136
YDK-50-6P	220V	50Hz	140W	680R/Min	470mm	170
YDK-85-6P	220V	50Hz	180W	775R/Min	470mm	204
YDK-120-6P	220V	50Hz	228W	835R/Min	470mm	238

Motor For Household Air-Conditioning Indoor Machine



Main Technical Data

Type	Voltage	Frequency	Output Power	Current	Speed	Capacitor
YDK83-20-4	220V	50Hz	20W	0.25A	1320/1200/1050R/Min	2.0 μ F
YDK93-12-4	220V	50Hz	12W	0.14A	1320/1200/1050R/Min	1.0 μ F
YDK93-16-4	220V	50Hz	16W	0.17A	1320/1200/1050R/Min	1.0 μ F
YDK120-30-8	220V	50Hz	30W	0.56A	530/430/360R/Min	3.0 μ F
YDK120-50-8	220V	50Hz	50W	0.80A	560/460/360R/Min	4.0 μ F
YDK139-100-10	220V	50Hz	100W	1.20A	460/400/330R/Min	6.0 μ F
YDK139-120-10	220V	50Hz	120W	1.40A	500/430/350R/Min	6.0 μ F

Motor For Household Air-Conditioning Outdoor Machine



Main Technical Data

Type	Voltage	Frequency	Output Power	Current	Speed	Capacitor
YDK95-20-6	220V	50/60Hz	20W	0.22A	800R/Min	2.0 μ F
YDK95-25-6	220V	50/60Hz	25W	0.30A	800R/Min	1.0 μ F
YDK95-35-6	220V	50/60Hz	35W	0.40A	800R/Min	1.0 μ F
YDK120-50-6	220V	50/60Hz	50W	0.46A	800R/Min	3.0 μ F
YDK120-60-6	220V	50/60Hz	60W	0.62A	800R/Min	4.0 μ F
YDK120-70-6	220V	50/60Hz	70W	0.71A	800R/Min	6.0 μ F

Motor For Window Type Air Conditioner



Main Technical Data

Type	Voltage	Frequency	Output Power	Speed	Capacitor
YSK-50-4	220V	50/60Hz	50W	1220/1070/970R/Min	KC-20
YSK-60-4	220V	50/60Hz	60W	1220/1070/970R/Min	KC-25
YSK-70-4	220V	50/60Hz	70W	980/880/800R/Min	KC-35
YSK-130-4	220V	50/60Hz	130W	880/830/780R/Min	KC-50

Motor For Marine Type Fan



Introuction:

Suitable for marine type fan and similar purpose

Main Technical Data

Output Power	Output Power	Voltage	Frequency	Fan Model
90W-6P	200W-4P	208-230V	50/60Hz	SYZ7-7I
90W-6P	200W-4P	208-230V	50/60Hz	SYZ7-7III
200W-6P	250W-4P	208-230V	50/60Hz	SYZ7-8I
90W-6P	150W-4P	208-230V	50/60Hz	SYZ7-8II
250W-6P	375W-4P	208-230V	50/60Hz	SYZ7-7I
250W-6P	375W-4P	208-230V	50/60Hz	SYZ7-7III
250W-6P	450W-4P	208-230V	50/60Hz	SYZ7-9I
200W-6P	250W-4P	208-230V	50/60Hz	SYZ7-9II
375W-6P	450W-4P	208-230V	50/60Hz	SYZ7-9III
375W-6P	550W-4P	208-230V	50/60Hz	SYZ7-8I
375W-6P	550W-4P	208-230V	50/60Hz	SYZ7-8II
450W-6P	550W-4P	208-230V	50/60Hz	SYZ7-10I
450W-6P	550W-4P	208-230V	50/60Hz	SYZ7-10II

5-5/8" Dia. Outdoor Fan Motors



FEATURES:

- Class "B" Insulation
- Capacitor-running
- Fan continuously Running
- Totally Enclosed
- Auto Protector
- Standard Efficiency
- 60°C Ambient

Main Technical Data

Type	Voltage	Frequency	HP	Speed	Capacitor
YSK140-120-6A2	220-230V	50/60Hz	1/6	1000/2SPD	5.0μF/370V
YSK140-120-6A5	220-230V	50/60Hz	1/6	1095/3SPD	5.0μF/370V
YSK140-120-6A7	220-230V	50/60Hz	1/6	1050/3SPD	5.0μF/370V
YSK140-150-6A3	220-230V	50/60Hz	1/6	1050/3SPD	5.0μF/370V
YSK140-150-6A2	220-230V	50/60Hz	1/6	1075/3SPD	5.0μF/370V
YSK140-150-6A4	220-230V	50/60Hz	1/6	1115/3SPD	5.0μF/370V
YSK140-150-6A7	220-230V	50/60Hz	1/6	1115/3SPD	5.0μF/370V
YSK140-245-6A2	220-230V	50/60Hz	1/6	1075/3SPD	5.0μF/370V
YSK140-120-4A3	220-230V	50/60Hz	1/6	1050/3SPD	5.0μF/370V
YSK140-150-4A3	220-230V	50/60Hz	1/6	1075/3SPD	5.0μF/370V
YSK140-185-4A7	220-230V	50/60Hz	1/6	1110/3SPD	5.0μF/370V
YSK140-245-4A3	220-230V	50/60Hz	1/6	1110/3SPD	7.5μF/370V
YSK140-375-4A5	220-230V	50/60Hz	1/6	1200/3SPD	7.5μF/370V
YSK140-550-4A1	220-230V	50/60Hz	1/6	1200/3SPD	7.5μF/370V

YDK140 Series Single Phase Capacitor Operating Asynchronous Motor



APPLICATION: Can be used for Condenser fan and similar use

Main Technical Data

Type	Voltage	Frequency	Current	Speed	Output Power	Insulation
YSK140-150-4D2	208-230V	50/60Hz	1.8A	1200/3SPD	150W	B
YSK140-150-6T5	208-230V	50/60Hz	1.2A	850/3SPD	150W	B
YSK140-120-6T2	208-230V	50/60Hz	0.9A	850/3SPD	150W	B

YDK120 Series Single Phase Capacitor Operating Asynchronous Motor



FEATURES:

- Class "B" Insulation
- Capacitor-running
- Fan continuously Running
- Auto Protector
- Standard Efficiency
- 40°C Ambient

Main Technical Data

Type	Voltage	Frequency	HP	Speed	Current
YSK120-75-6	208-230V	50/60Hz	1/10	860R/Min	1.0A
YSK120-90-6	208-230V	50/60Hz	1/8	860R/Min	0.8A
YSK120-185-6	208-230V	50/60Hz	1/4	1075/3SPD	1.8A
YSK120-74-4A4	208-230V	50/60Hz	1/10	1300/3SPD	0.9A

EV Aporative Cooler Motors



FEATURES:

Brass terminal plug

Moisture-resistant terminal board

Electro-zinc plated parts, switch, dust caps

High viscosity encapsulating varnish

Heavy insulated wire

Class“B”insulation, Single or two speed

Applications:

Belt Driven Evaporative Coolers

Main Technical Data

Type	Voltage	Fequency	HP	Speed	Current	Bearings
YDK160-185-4A	220-230V	50/60Hz	1/4-1/12P	1725/1140R/Min	3.3/1.6A	Ball
YDK160-245-4A	220-230V	50/60Hz	1/3-1/9P	1725/1140R/Min	3.0/2.0A	Ball
YDK160-375-4A	220-230V	50/60Hz	1/2-1/6P	1725/1140R/Min	4.2/2.1A	Ball
YDK160-550-4A	220-230V	50/60Hz	3/4-1/4P	1725/1140R/Min	5.2/3.2A	Ball
YDK160-745-4A	220-230V	50/60Hz	1-1/3P	1725/1140R/Min	6.5/4.0A	Ball

3.3" Air Moving Motors



INTRODUCTION:

The diameter of stator is 85mm, capacitance-running, the speed of four pole. This kind of motors is designed for air-moving and mechanical applications such as kitchen and bath ventilators, wall heaters, humidifiers, dehumidifiers, room air conditioners, evaporator fans, ice makers, refrigerated display cabinets, walk-in coolers, evaporative coolers, exhaust fans, vending machines, medical equipment, hospital beds, dental chairs, compressors, business equipment, computer cooling, pumps, nebulizers, and dishwashers.

Fan Motor For Drink Dispenser



MODEL: KJF4Y501A

INTRODUCTION:

- 1.60°C ambient.
2. low noise, high efficiency, low power consumption.
3. Automatic thermal overload protector.

Fan-Coil Unit Work Brushless DC Motor Series

Three Speed Control



INTRODUCTION:

- 1.Voltage can be 208-230V,output power is 10-120W,the motor power applies to all fan coil units series and all static press.
- 2.Low-noise and high-quality rolling bearing.
- 3.The motors have high efficiency,low power consumption and three speed regulation.
- 4.The shafts are treated with hardening and tempering,and plated with ni-coating,and motor housing with plastic.
- 5.Optimum application for varieties of fan coil pipes in order to make consumers' products best.

Main Technical Data

Type	Voltage	Speed	Output Power	INS.
YSK-10-8G	208-230V	800/600/400R/Min	10W	B
YSK-12-8G	208-230V	800/600/400R/Min	12W	B
YSK-16-8G	208-230V	900/700/500R/Min	16W	B
YSK-18-8G	208-230V	950/750/500R/Min	18W	B
YSK-20-8G	208-230V	950/750/500R/Min	20W	B
YSK-22-8G	208-230V	950/750/500R/Min	22W	B
YSK-25-8G	208-230V	980/780/550R/Min	25W	B
YSK-30-8G	208-230V	1000/780/550R/Min	30W	B
YSK-32-8G	208-230V	1020/900/700R/Min	32W	B
YSK-40-8G	208-230V	1050/950/720R/Min	40W	B
YSK-45-8G	208-230V	1100/950/700R/Min	45W	B
YSK-50-8G	208-230V	1150/1050/950R/Min	50W	B
YSK-60-8G	208-230V	1200/1000/800R/Min	60W	B
YSK-80-8G	208-230V	1250/1000/800R/Min	80W	B
YSK-100-8G	208-230V	1300/1000/800R/Min	100W	B
YSK-120-8G	208-230V	1350/1100/900R/Min	120W	B

Note: 1.We can provide three speed according to customer's requirement.

2.We offer more freedom for customers to adjust three speed.

Fan-Coil Unit Works Brushless DC Motor Series Infinitely Adjustable Speed



INTRODUCTION:

- 1.Voltage can be 310-360V,output power is 20-120W,the motor power applies to all fan coil units series and all static press.
- 2.Low-noise and high-quality rolling bearing.
- 3.The motors have high efficiency, low power consumption, stepless speed regulating.
- 4.The shafts are treated with hardening and tempering,and plated with ni-coating,and motor housing with plastic.
- 5.Optimum application for varieties of fan coil pipes in order to make consumers' products best.

Main Technical Data

Type	Voltage	Current	Speed	Input Power	Output Power	INS.
YSK-20-8BLDC	310-360V	0.08A	300-1500R/Min	25W	20W	B/F
YSK-25-8BLDC	310-360V	0.11A	300-1500R/Min	32W	25W	B/F
YSK-30-8BLDC	310-360V	0.13A	300-1500R/Min	39W	30W	B/F
YSK-40-8BLDC	310-360V	0.17A	300-1500R/Min	43W	40W	B/F
YSK-50-8BLDC	310-360V	0.20A	300-1500R/Min	63W	50W	B/F
YSK-60-8BLDC	310-360V	0.26A	300-1500R/Min	80W	60W	B/F
YSK-80-8BLDC	310-360V	0.35A	300-1500R/Min	108W	80W	B/F
YSK-100-8BLDC	310-360V	0.43A	300-1500R/Min	132W	100W	B/F
YSK-120-8BLDC	310-360V	0.51A	300-1500R/Min	158W	120W	B/F

- Note: 1.We can design according to customer's requirement of the three speed.
2.We offers more freedom for customers to adjusted the three speed.

Brushless DC Motor-Plastic Series



INTRODUCTION:

- 1.Can be used for indoor unit of split air conditioner.
- 2.With stepless speed adjustment function.
- 3.Little vibration,low noise.
- 4.High efficiency,high reliability.

Main Technical Data

Voltage	VCC	VSP	Output Power	Speed	Every Turn Pulse Count	Insulation
DC200-DC370V	15V	0-6.5	10-50W	0-2500R/Min	4 or 12	B



Main Technical Data

Type	Voltage	VCC	VSP	Output Power	Speed	Noise	Rotation Torque
ZWS	DC200-DC370V	15V	0-6.5	10-200W	0-1350R/Min	45dBA	/

Multi-Speed Motor Series



INTRODUCTION:

The motor can be used in fan coil units air supply system. Compared with ordinary fan coil motor, this kind of motor has 5-7 speed to satisfy customers' requirements of multiple speed.

Main Technical Data

Type	Voltage	Frequency	Output Power	Current	Speed	INS.
YDK110-30-4S	208-230V	50/60Hz	30W	0.37A	1280/1160/1030/910/790/665R/Min	B/F
YDK110-40-4S	208-230V	50/60Hz	40W	0.48A	1280/1160/1030/910/790/665R/Min	B/F
YDK110-50-4S	208-230V	50/60Hz	50W	0.60A	1280/1160/1030/910/790/665R/Min	B/F
YDK110-75-4S	208-230V	50/60Hz	75W	0.92A	1280/1160/1030/910/790/665R/Min	B/F
YDK110-100-4S	208-230V	50/60Hz	100W	1.05A	1280/1160/1030/910/790/665R/Min	B/F
YDK120-75-4S	208-230V	50/60Hz	75W	0.73A	1280/1160/1030/910/790/665R/Min	B/F
YDK120-100-4S	208-230V	50/60Hz	100W	0.93A	1280/1160/1030/910/790/665R/Min	B/F
YDK140-160-4S	208-230V	50/60Hz	160W	1.38A	1280/1160/1030/910/790/665R/Min	B/F
YDK140-200-4S	208-230V	50/60Hz	200W	1.68A	1280/1160/1030/910/790/665R/Min	B/F
YDK140-250-4S	208-230V	50/60Hz	250W	2.00A	1280/1160/1030/910/790/665R/Min	B/F
YDK140-400-4S	208-230V	50/60Hz	400W	3.00A	1280/1160/1030/910/790/665R/Min	B/F
YDK140-160-4S	208-230V	50/60Hz	160W	1.38A	1280/1160/1030/910/790/665R/Min	S
YDK140-200-4S	208-230V	50/60Hz	200W	1.68A	1280/1160/1030/910/790/665R/Min	B/F

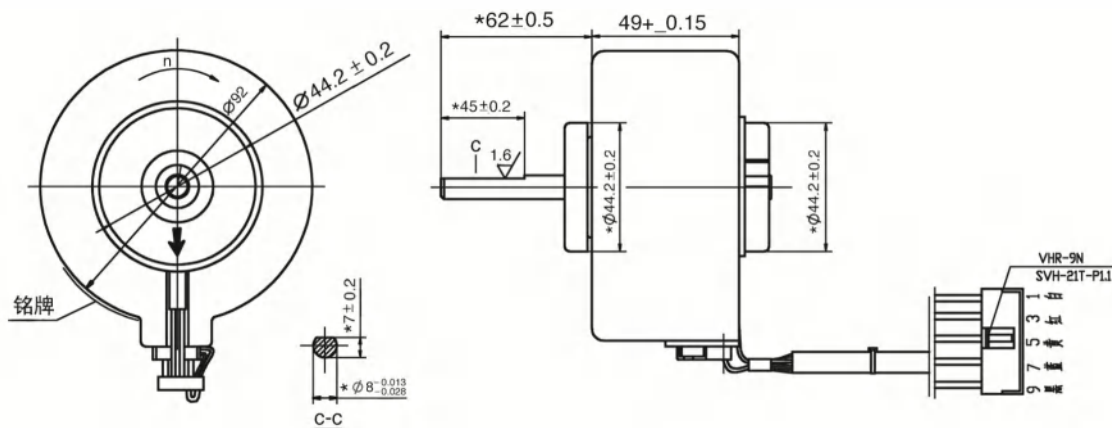
YDK Series Single-Phase Capacitor-Running Asynchronous Resin Motor



INTRODUCTION:

1. This fan motor can be used for indoor unit of split type air conditioner and air cleaner.
2. Power supply: 100-120V, 200-240V, Frequency: 50Hz、60Hz、50/60Hz. Poles: 2 poles or 4poles, Output: 5-35W.
3. Stable performance, high efficiency.
4. Low vibration, low noise motors, as a result of steel cores being pressed by high speed with auto-stacking mould.
5. Adopt excellent, low-noise rolling bearing, motor life \geq 80,000hours.
6. Motors with special specification can be designed according to the clients' requirements.

Outline Dimensions

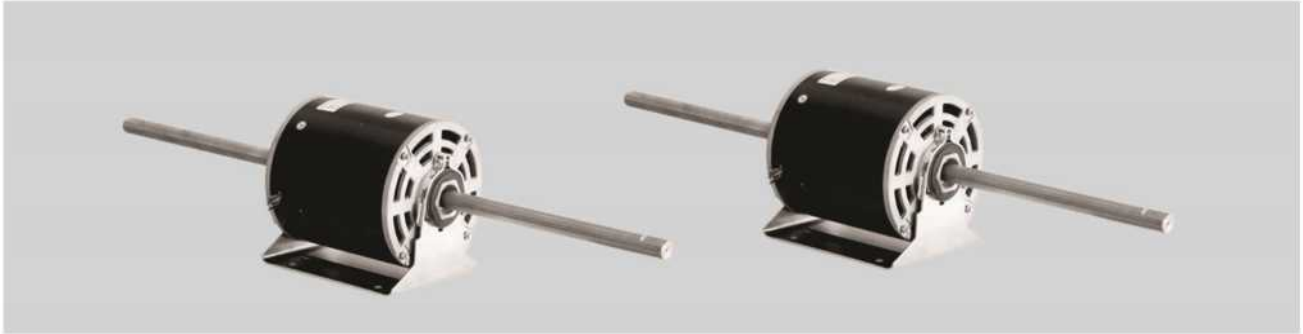


Main Technical Data

Type	Voltage	Frequency	VSP	Output Power	Speed	Capacitor
YDK Series	100-120V	50/60Hz	4	5-35W	900/1100/1300R/Min	1.0-8.0 μ F
YDK Series	200-240V	50/60Hz	4	5-35W	900/1100/1300R/Min	1.0-2.5 μ F

Type	Voltage	Frequency	VSP	Output Power	Speed	Every Turn Pulse Count	Capacitor
YDK Series	100-120V	50/60Hz	4	5-35W	600-1360R/Min	2001/3/6	1.0-8.0 μ F
YDK Series	200-240V	50/60Hz	4	5-35W	600-1360R/Min	2001/3/6	1.0-2.5 μ F

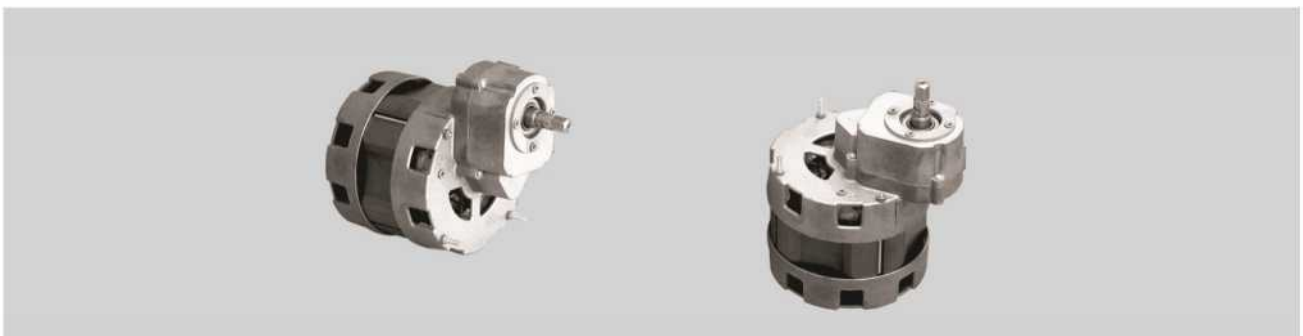
Other AC Motors Produced In Our Company



Single-phase capacitor-running motor for ducted direct drive fan coil units



Beans paddle fan motor



Juice machine motor