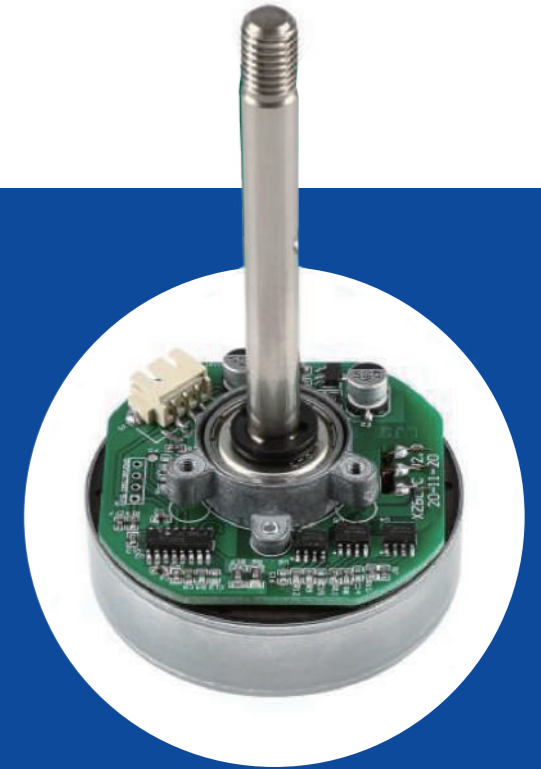




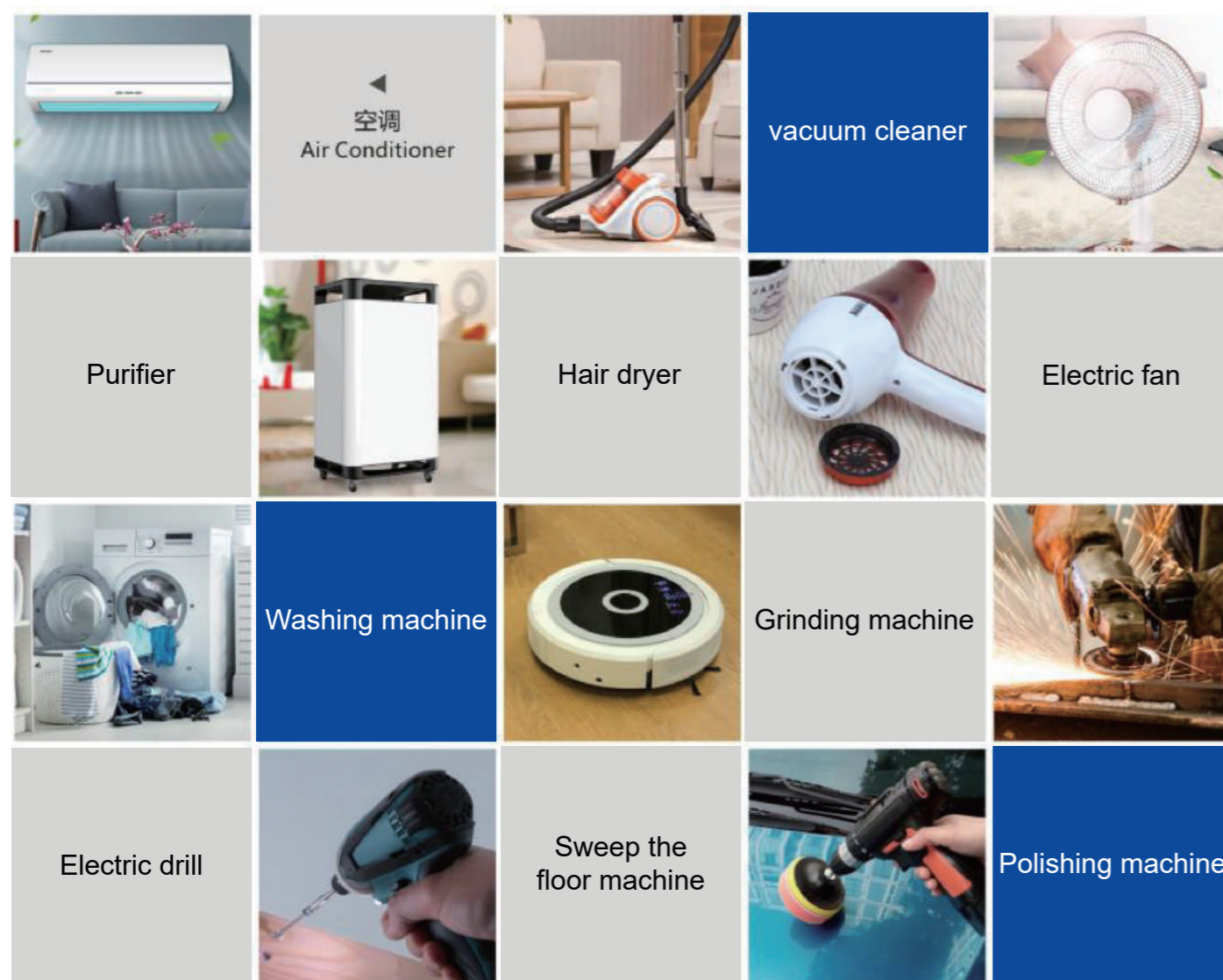
LONGWELL MOTOR TECHNOLOGY



电话: +0086-574-62189863
传真: +0086-574-62189863
手机: 0086 183 5827 4663
网址: <https://zjlongwell.en.alibaba.com>
邮箱: SALES@ZJLONGWELL.COM
地址: #NO.100, Henan Road, Ditang District,
Yuyao, Ningbo, Zhejiang Province, China 315400

Ningbo Longwell Electric Technology CO, LTD

Product Application Field



Longwell product advantages are widely recognized and well-known enterprises in various fields to carry out strategic cooperation, product size is widely used in household appliances, electric tools, and health care instruments, such as air conditioning, electric fan, circulation fan, purifier, heater, vacuum cleaners, sweeping machine, hair dryer, polishing grinding machine, massager, etc.

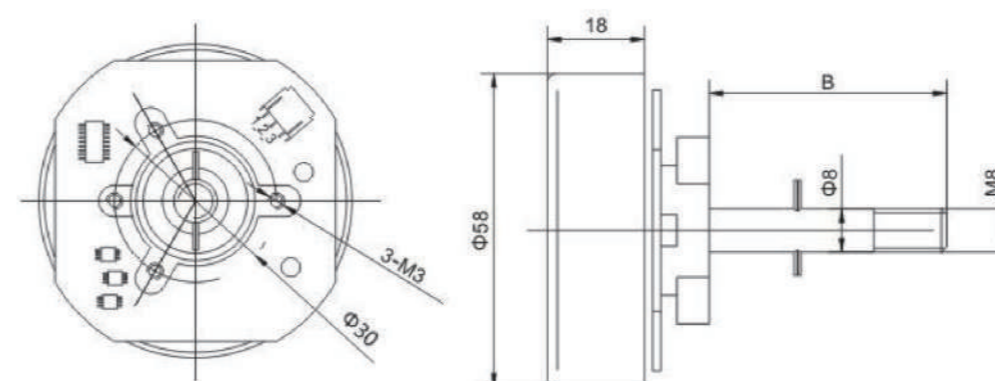
LW-01

Product Feature

The motor has the characteristics of small volume, light weight, high efficiency, low noise, large torque, stepless speed regulation and wide speed regulation range, long life and so on. Widely used in desk fan, floor fan, air circulation fan, air purifier, air conditioner and other environmental ventilation equipment.



Product Drawing



Connection

PIN.NO.	Functions
1	PWM
2	GND
3	VCC

Technical Specifications

Motor model	Voltage	Input voltage waveform	Power	Speed range	Position sensor	Control mode	Feedback voltage	Life
LWD5818A12	DC12V	Sine Wave	0-30W	0-3000rpm	/	PWM	5V	20000h
LWD5818B12	DC12V	Sine Wave	0-30W	0-3000rpm	HALL	PWM	5V	20000h
LWD5818A24	DC24V	Sine Wave	0-30W	0-3000rpm	/	PWM	5V	20000h
LWD5818B24	DC24V	Sine Wave	0-30W	0-3000rpm	HALL	PWM	5V	20000h
LWD5818A36	DC36V	Sine Wave	0-30W	0-3000rpm	/	PWM	5V	20000h
LWD5818B36	DC36V	Sine Wave	0-30W	0-3000rpm	HALL	PWM	5V	20000h

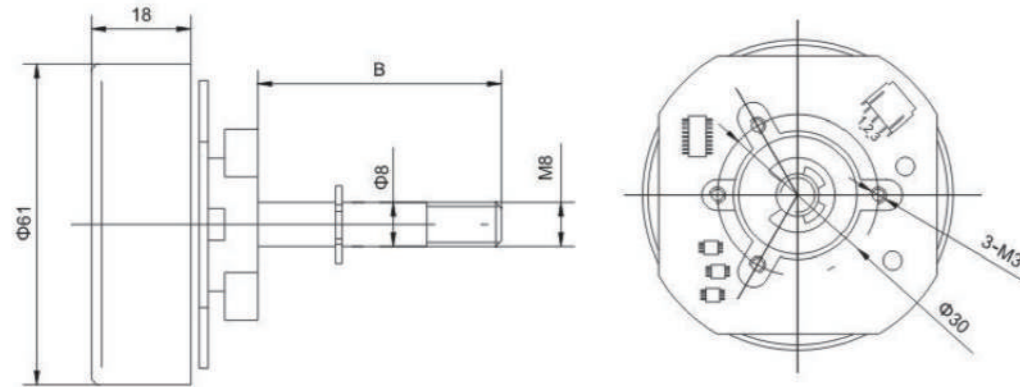
LW-02

Product Feature

The motor has the characteristics of small volume, light weight, high efficiency, low noise, large torque, stepless speed regulation and wide speed regulation range, long life and so on. Widely used in desk fan, floor fan, air circulation fan, air purifier, air conditioner and other environmental ventilation equipment.



Product Drawing



Connection

PIN.NO.	Functions
1	PWM
2	GND
3	VCC

Technical Specifications

Motor model	Voltage	Input voltage waveform	Power	Speed range	Position sensor	Control mode	Feedback voltage	Life
LWD6218A12	DC12V	Sine Wave	0-50W	0-3000rpm	/	PWM	5V	20000h
LWD6218B12	DC12V	Sine Wave	0-50W	0-3000rpm	HALL	CLOCK	5V	20000h
LWD6218A24	DC24V	Sine Wave	0-50W	0-3000rpm	/	PWM	5V	20000h
LWD6218B24	DC24V	Sine Wave	0-50W	0-3000rpm	HALL	CLOCK	5V	20000h
LWD6218A36	DC36V	Sine Wave	0-50W	0-3000rpm	/	PWM	5V	20000h
LWD6218B36	DC36V	Sine Wave	0-50W	0-3000rpm	HALL	CLOCK	5V	20000h

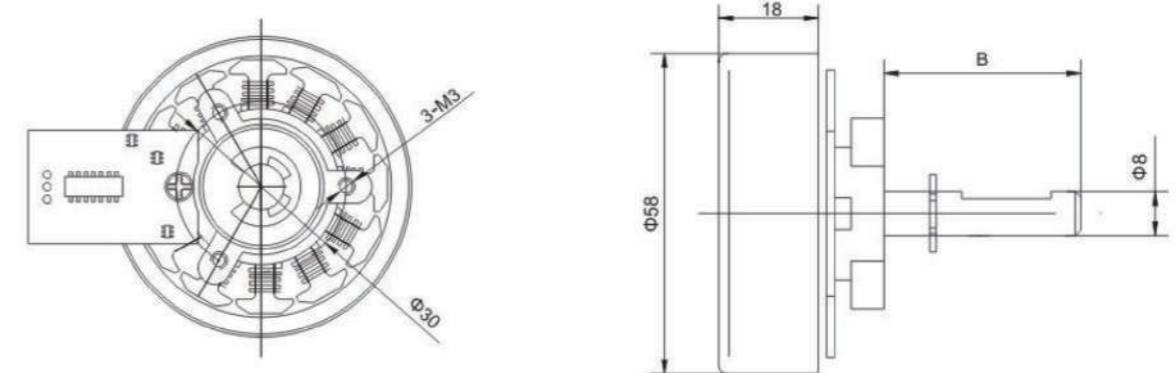
LW-03

Product Feature

Small size, light weight, high efficiency, large torque, low noise, stepless speed and wide speed range, long life and other characteristics of the motor. Widely used in climbing fans, industrial fans, ventilation fans, power tools and other equipment.



Product Drawing



Technical Specifications

Motor model	Voltage	Input voltage waveform	Power	Speed range	Position sensor	Control mode	Feedback voltage	Life
LWD5818A12	DC12V	Sine Wave	0-50W	0-3000rpm	/	/	5V	10000h
LWD5818A24	DC24V	Sine Wave	0-50W	0-3000rpm	/	/	5V	10000h
LWD6218A12	DC12V	Sine Wave	0-50W	0-3000rpm	/	/	5V	10000h
LWD6218A24	DC24V	Sine Wave	0-50W	0-3000rpm	/	/	5V	10000h
LWD6218A36	DC36V	Sine Wave	0-50W	0-3000rpm	/	/	5V	10000h

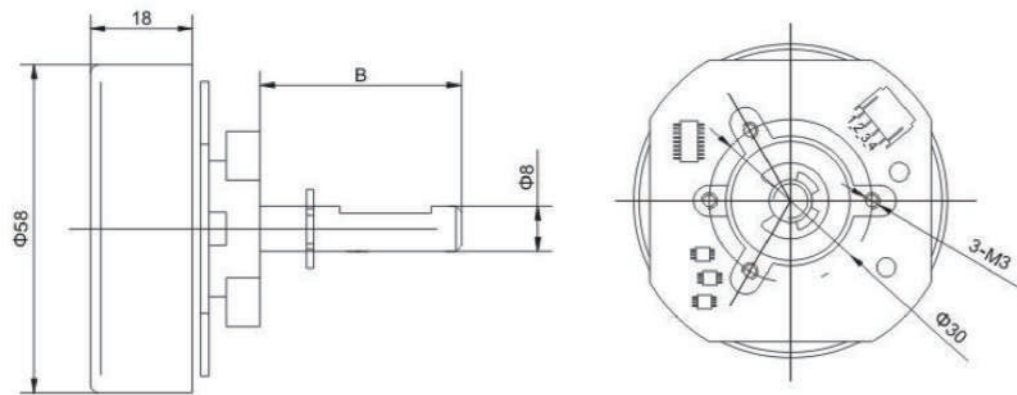
LW-04

Product Feature

Small size, light weight, high efficiency, large torque, low noise, stepless speed and wide speed range, long life and other characteristics of the motor. Widely used in fascia gun, air circulation fan, air purifier, air conditioner, polishing machine and other equipment.



Product Drawing



Connection

PIN.NO.	Functions
1	PWM
2	GND
3	VCC
4	FG

Technical Specifications

Motor model	Voltage	Input voltage waveform	Power	Speed range	Position sensor	Control mode	Feedback voltage	Life
LWD5218A12	DC12V	Sine Wave	0-50W	0-3000rpm	HALL	CLOCK	5V	10000h
LWD5218A24	DC24V	Sine Wave	0-50W	0-3000rpm	HALL	CLOCK	5V	10000h
LWD5818A12	DC12V	Sine Wave	0-50W	0-3000rpm	HALL	CLOCK	5V	10000h
LWD5818A24	DC24V	Sine Wave	0-50W	0-3000rpm	HALL	CLOCK	5V	10000h
LWD5818A36	DC36V	Sine Wave	0-50W	0-3000rpm	HALL	CLOCK	5V	10000h

LW-05

Product Feature

The motor has the characteristics of small volume, light weight, high efficiency, low noise, large torque, stepless speed regulation and wide speed regulation range, long life and so on. Widely used in household vacuum cleaner, sweeper.



Technical Specifications

- The operating voltage of the motor is 0-48V
- Rated power: 0 500W
- Rated speed: 0~ 150000RPM
- Position induction: HALL sensor
- Control mode: CLOCK control
- Service life: more than 5000h