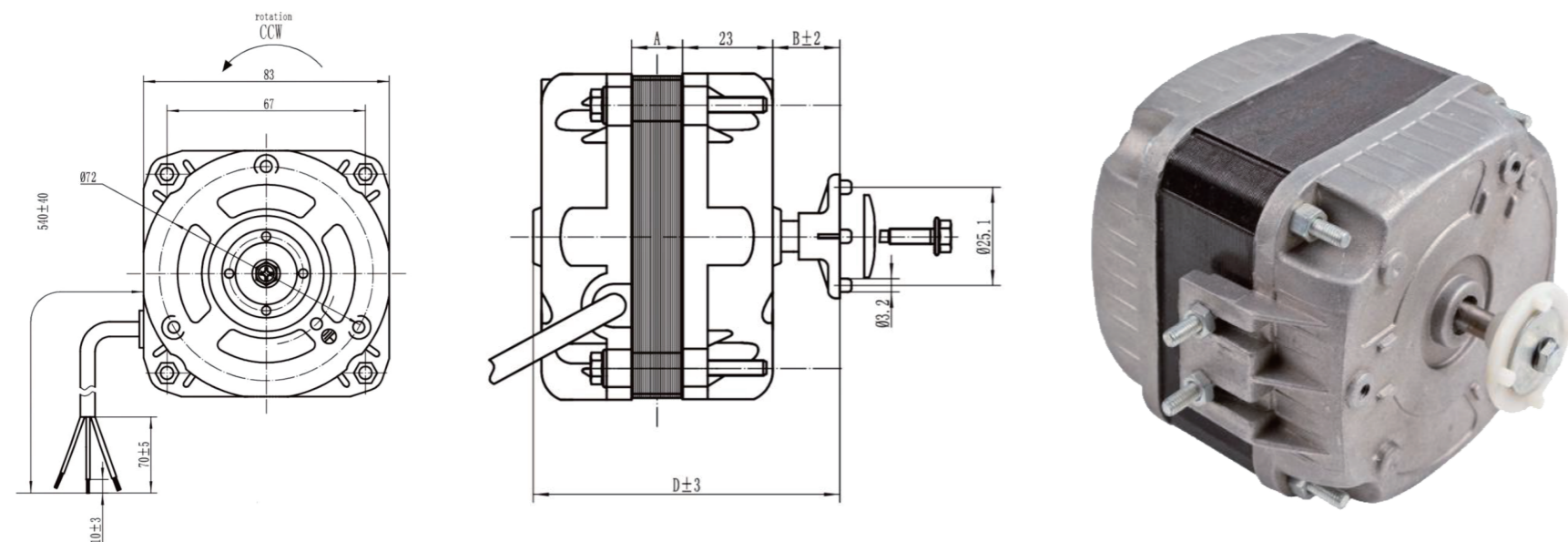


# Shaded Pole Motor

## Product Characteristic

- Type: AC Shaded Pole Motor
- Insulation Class : B/F/H
- Bearing Type: Ball bearing/Sleeve Bearing
- Certification : UL/CE/CCC/TUV
- Operation Temperature:-30 °C~+60 °C



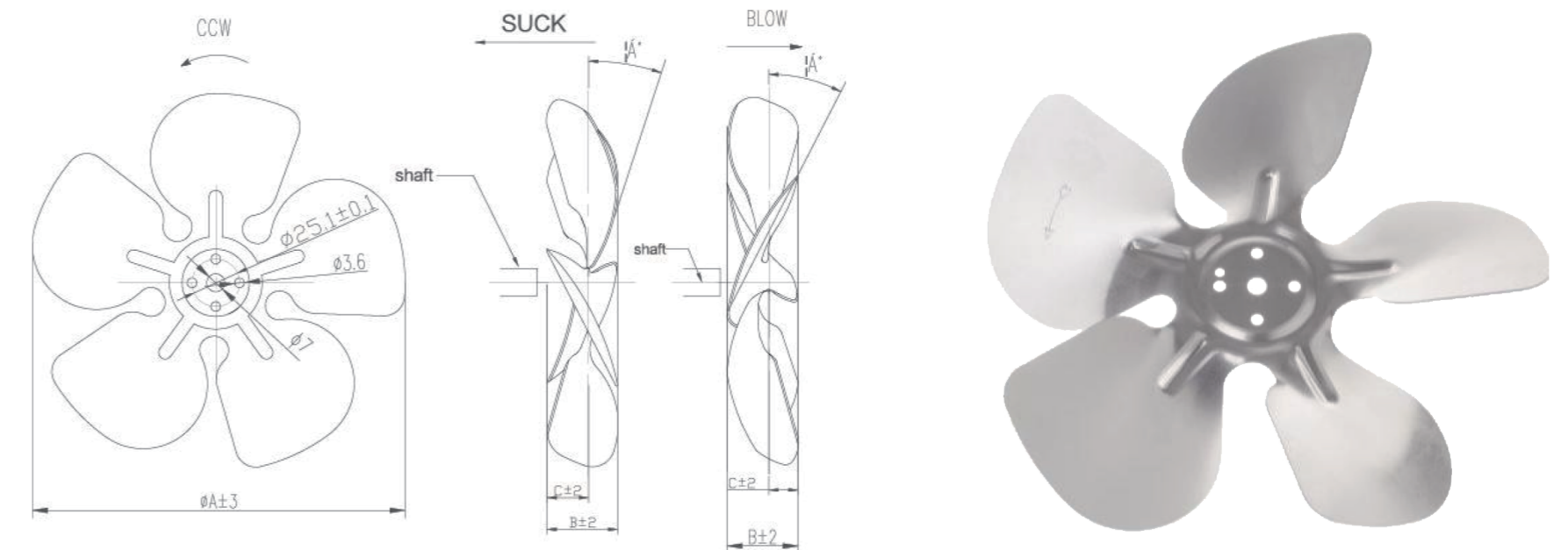
## Parameter Table

Model	Voltage (V)	Frequency (Hz)	Input Power (w)	Output Power (w)	Current (A)	Speed (RPM)	Fan Blade (mm)	Weight (kg)	A (mm)	B (mm)	D (mm)
YZ5-13-00	220-240	50/60	33	5	0.21	1300	φ200	0.8	13	17	76
YZ5-13-00	110-120	60	33	5	0.55	1550	φ200	0.8	13	17	76
YZ7-20-00	220-240	50/60	38	7	0.23	1300	φ230	1.1	19	17	83
YZ10-20-00	220-240	50/60	40	10	0.25	1300	φ230	1.1	19	17	83
YZ10-20-00	110-120	60	40	10	0.8	1550	φ230	1.1	19	17	83
YZ16-25-00	220-240	50/60	70	16	0.45	1300	φ250	1.4	25	23	94
YZ16-25-00	110-120	60	70	16	1.01	1550	φ250	1.4	25	23	94
YZ18-30-00	220-240	50/60	73	18	0.5	1300	φ250	1.5	30	24	100
YZ18-30-00	110-120	60	75	18	1.1	1550	φ250	1.5	30	24	100
YZ25-40-00	220-240	50/60	95	25	0.7	1300	φ300	1.8	40	25	111
YZ25-40-00	110-120	60	100	25	1.4	1550	φ300	1.8	40	25	111
YZ34-45-00	220-240	50/60	120	34	0.85	1300	φ300	2	45	29	120
YZ34-45-00	110-120	60	110	34	1.5	1550	φ300	2	45	29	120

# Fan Bracket

## Product Characteristic

- Type: AC Shaded Pole Motor
- Blade Material : Aluminum alloy/Plastic



## Installation dimension sheet

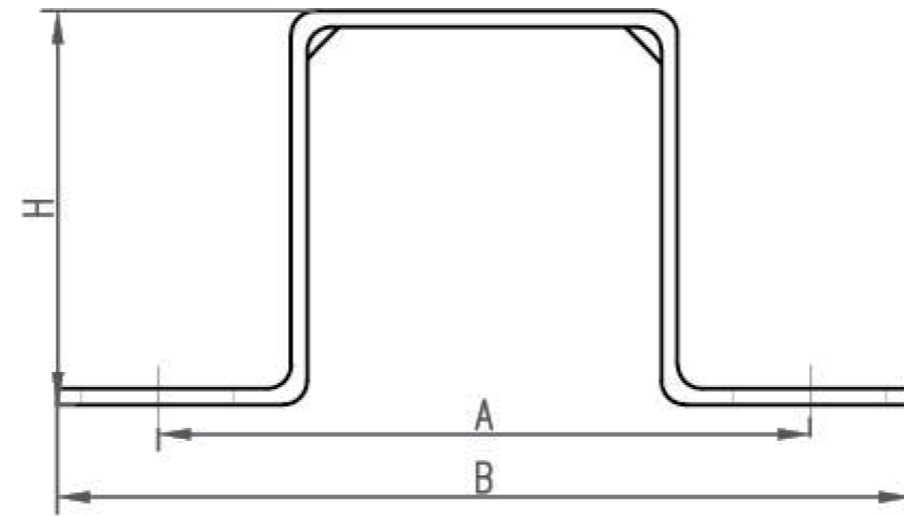
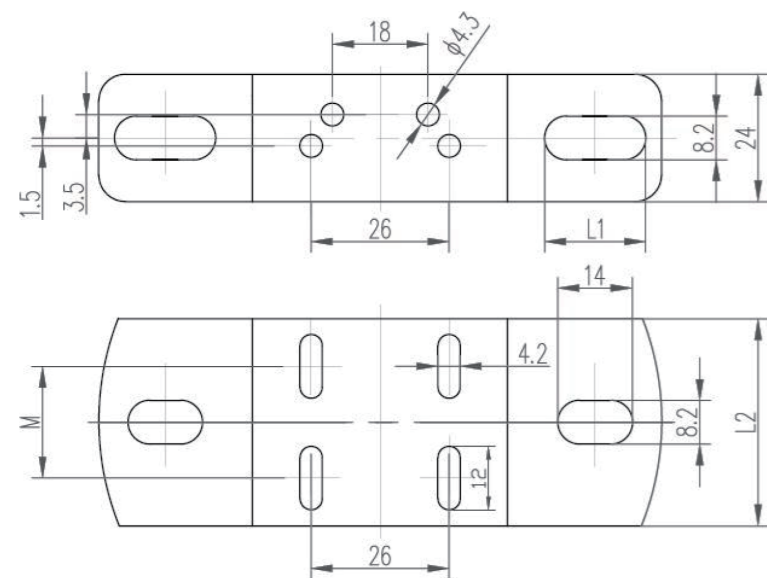
Model	Angle	19°			22°		25°		28°		31°		34°		δ
	A	B	C	B	C	B	C	B	C	B	C	B	C		
Ø 154	154	24	13	27	14	31	16	34	17	37	19	40	21	0.8±0.03	
Ø 172	170	25	13	28	15	31	16	35	18	40	20	42	21	0.8±0.03	
Ø 200	198	27	14	30	16	33	17	37	19	41	21	44	23	0.8±0.03	
Ø 230	230	31	15	33	16	37	19	41	21	43	22	45	23	0.8±0.03	
Ø 250	248	31	15	34	17	37	19	40	21	43	22	45	23	0.8±0.03	
Ø 254	254	32	15	35	17	38	19	41	21	44	22	47	23	0.8±0.03	
Ø 300	298	31	16	35	17	41	22	44	23	48	25	52	27	1±0.03	

Model(a°)	YZF5-13	YZF7-20	YZF10-20	YZF16-25	YZF18-30	YZF25-40	YZF34-45
Ø 154	28 31	/ /	/ /	/ /	/ /	/ /	/ /
Ø 172	28 31	/ /	/ /	/ /	/ /	/ /	/ /
Ø 200	28 /	28 31	28 31	31 /	/ /	/ /	/ /
Ø 230	/ /	28 /	28 /	/ /	/ /	/ /	/ /
Ø 250	/ /	/ /	/ /	22 28	/ 28	31 /	/ /
Ø 254	/ /	/ /	/ /	/ 28	28 31	31 /	/ /
Ø 300	/ /	/ /	/ /	/ /	/ 22	22 25	25 28

# Fan Bracket

## Product Characteristic

- Material: Iron
- Website: <https://www.longwellfans.com>
- Email:sales@zjlongwell.com



## Installation dimension sheet

Model	H	A	B	L1	L2	M
H55	55	81	106	13	/	/
H62	64	81	106	13	/	/
H72	72	81	106	13	/	/
H84	84	81	106	20	/	/
H90	90	81	106	20	/	/
H109-1	109	81	106	14	/	/
H109-2	109	78	100	14	39	21
H109-3	109	78	100	14	49	31