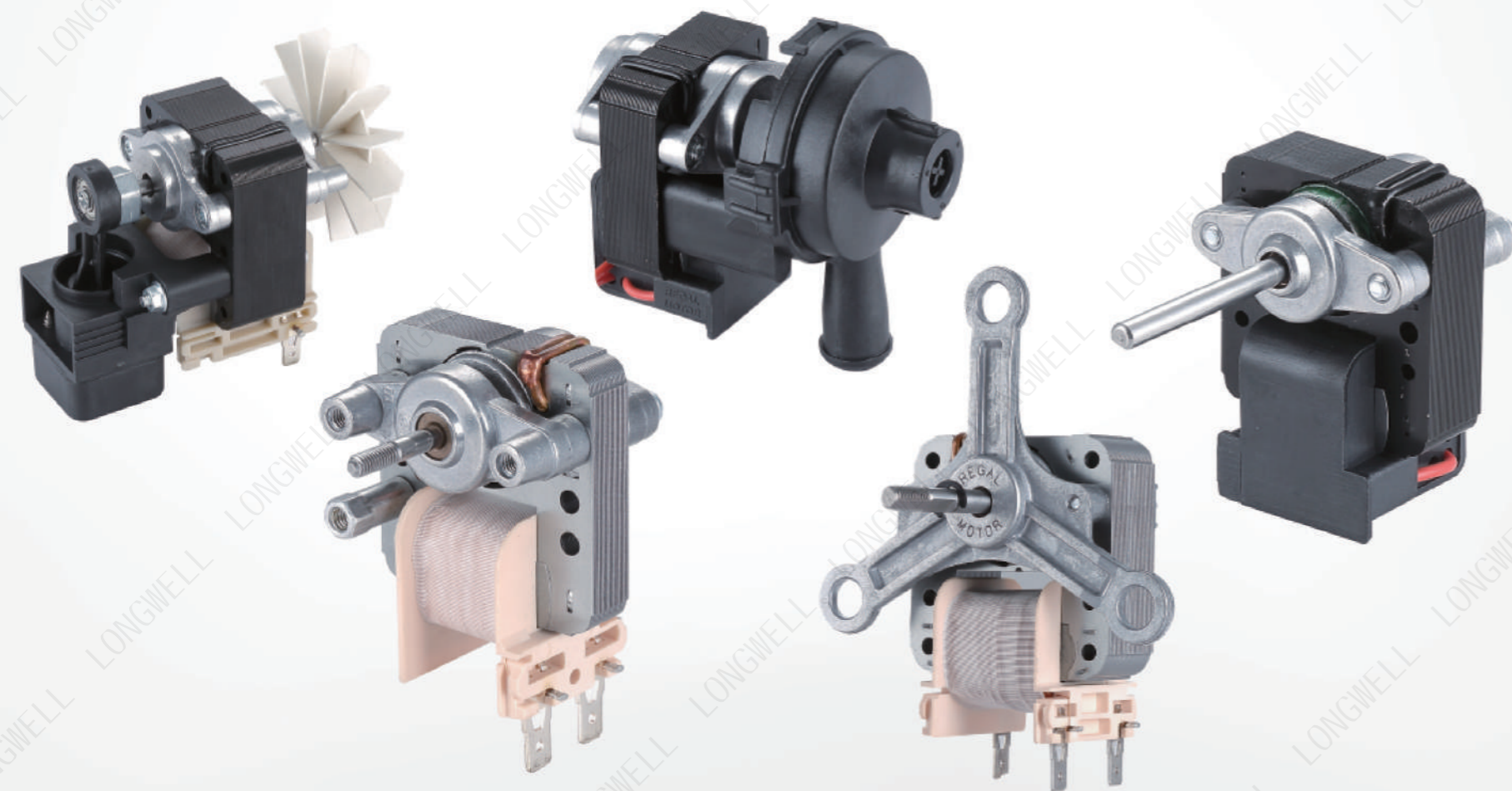


# Shaded Pole Motor

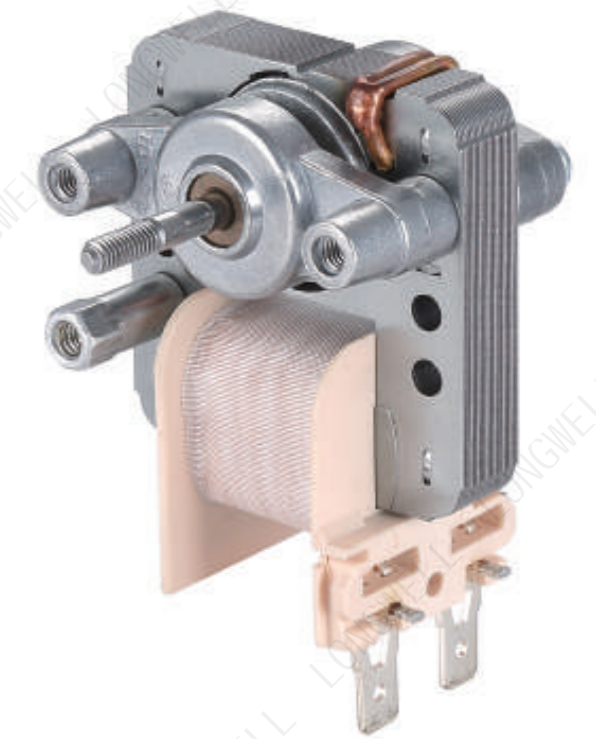
Professional HVAC Fan & Motors Manufacturer



## LWSPM48 Series

### Product Characteristic

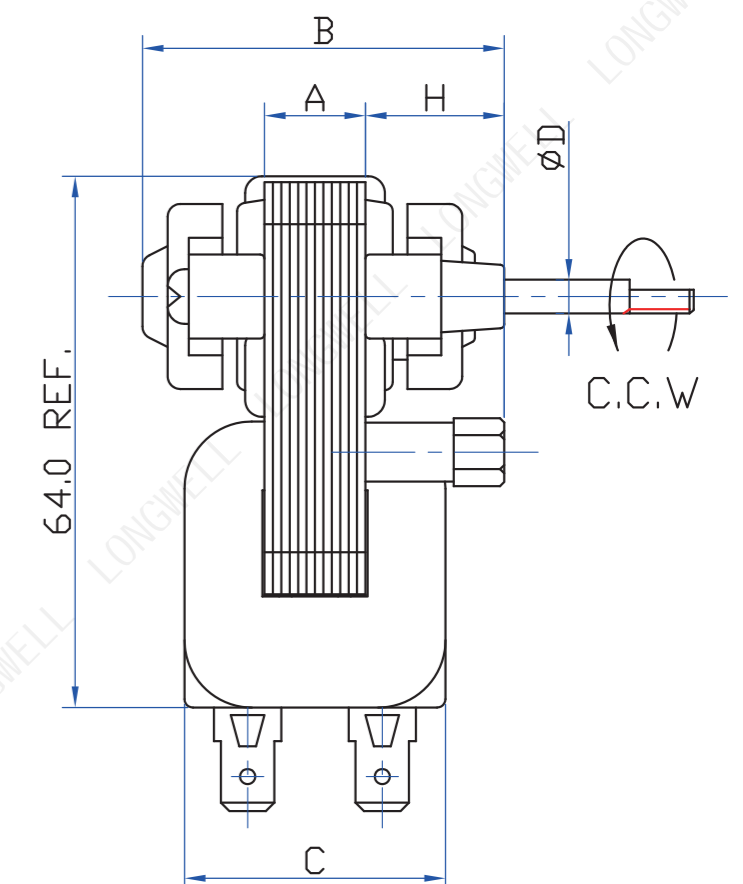
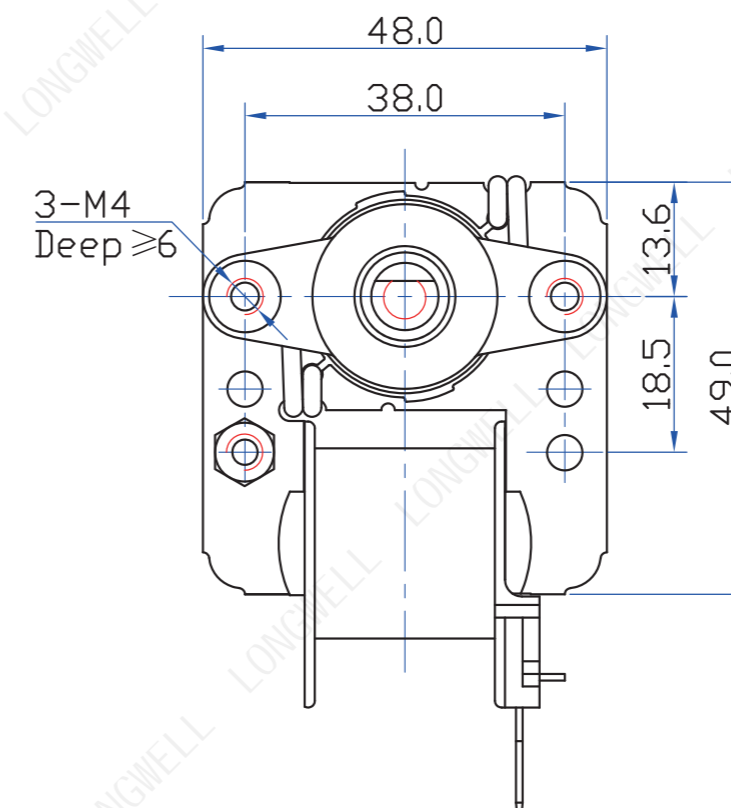
- Power Supply: 100-240V 50/60Hz
- Insulation Class: F/H
- Bearing: Oil bearing/Rolling bearing
- Operation Environment Condition: -15 C -+120 C
- Shaft Diameter:  $\Phi 3.17$   $\Phi 4.0$   $\Phi 4.5$   $\Phi 4.6$   $\Phi 5.0$   $\Phi 5.5$   $\Phi 6.0$
- Features: Low noise/No electromagnetic interference



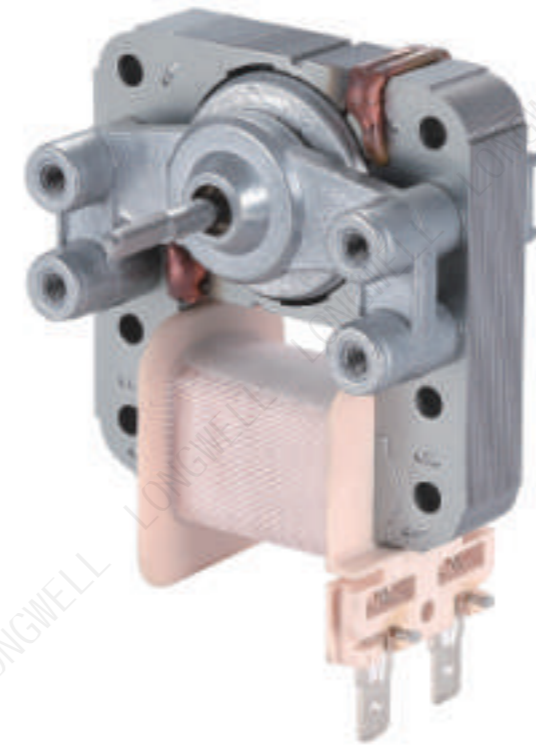
### Technical Specifications

| Model        | A (mm) | B (mm)    | C (mm) | H (mm)       | D (mm)       | Max.Torque (g.cm) | Max.Input Power (W) | Max.Output Power (W) |
|--------------|--------|-----------|--------|--------------|--------------|-------------------|---------------------|----------------------|
| LWSPM4810-01 | 10.0   | 38.0/41.0 | 28     |              | 3.17         | 80                | 15.0                | 2.0                  |
| LWSPM4812-01 | 12.0   | 40.0/43.0 | 30     | 13.5<br>16.5 | 4.00<br>5.00 | 100               | 18.0                | 2.5                  |
| LWSPM4815-01 | 15.0   | 43.0/46.0 | 33     |              |              | 120               | 20.0                | 3.0                  |

### Product Drawing (mm)



# LWSPM61 Series



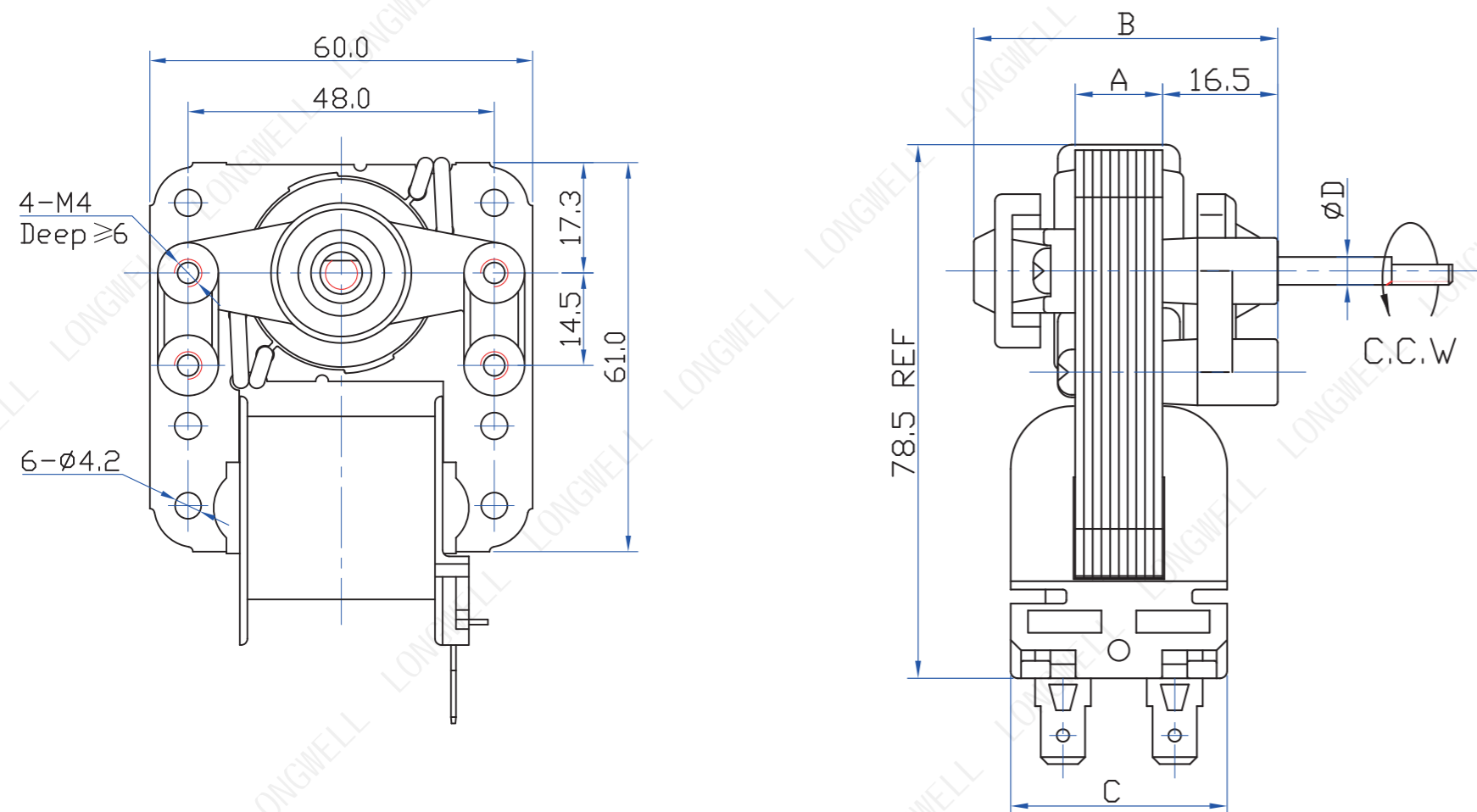
## Product Characteristic

- Power Supply: 100-240V 50/60Hz
- Insulation Class: F/H
- Bearing: Oil bearing/Rolling bearing
- Operation Environment Condition: -15 C-+120 C
- Shaft Diameter: Φ3.17 Φ4.0 Φ4.5 Φ4.6 Φ5.0 Φ5.5 Φ6.0
- Features: Low noise/No electromagnetic interference

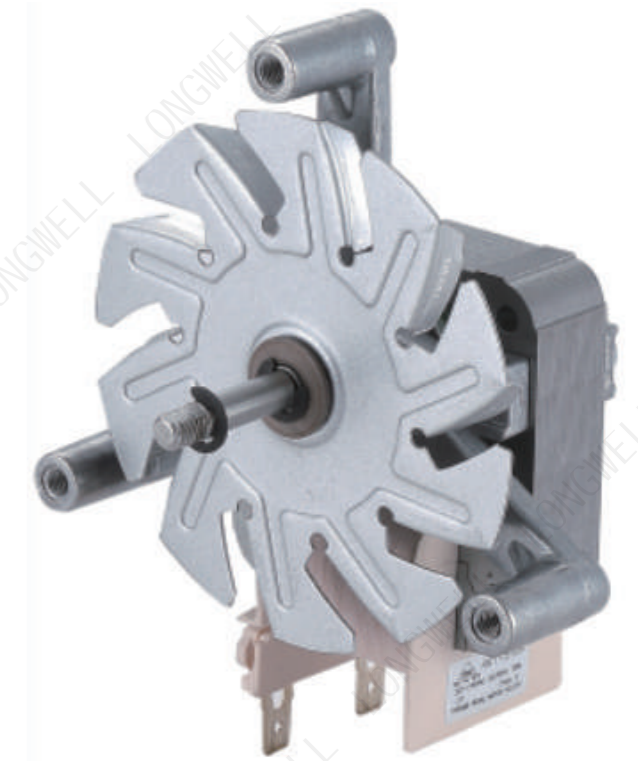
## Technical Specifications

| Model        | A (mm) | B (mm) | C (mm) | D (mm) | Max.Torque (g.cm) | Max.Input Power (W) | Max.Output Power (W) |
|--------------|--------|--------|--------|--------|-------------------|---------------------|----------------------|
| LWSPM6110-01 | 10     | 37     | 30     | 3.17   | 80                | 18                  | 2.7                  |
| LWSPM6112-01 | 12.5   | 39.5   | 31     | 4      | 120               | 25                  | 4.2                  |
| LWSPM6113-01 | 13.5   | 40.5   | 34     | 4.6    | 160               | 28                  | 4.8                  |
| LWSPM6115-01 | 15.5   | 42.5   | 36     | 5      | 220               | 30                  | 5.4                  |
| LWSPM6116-01 | 16.5   | 43.5   | 38     | 6      | 260               | 35                  | 7                    |

## Product Drawing (mm)



# LWSPM61 Series



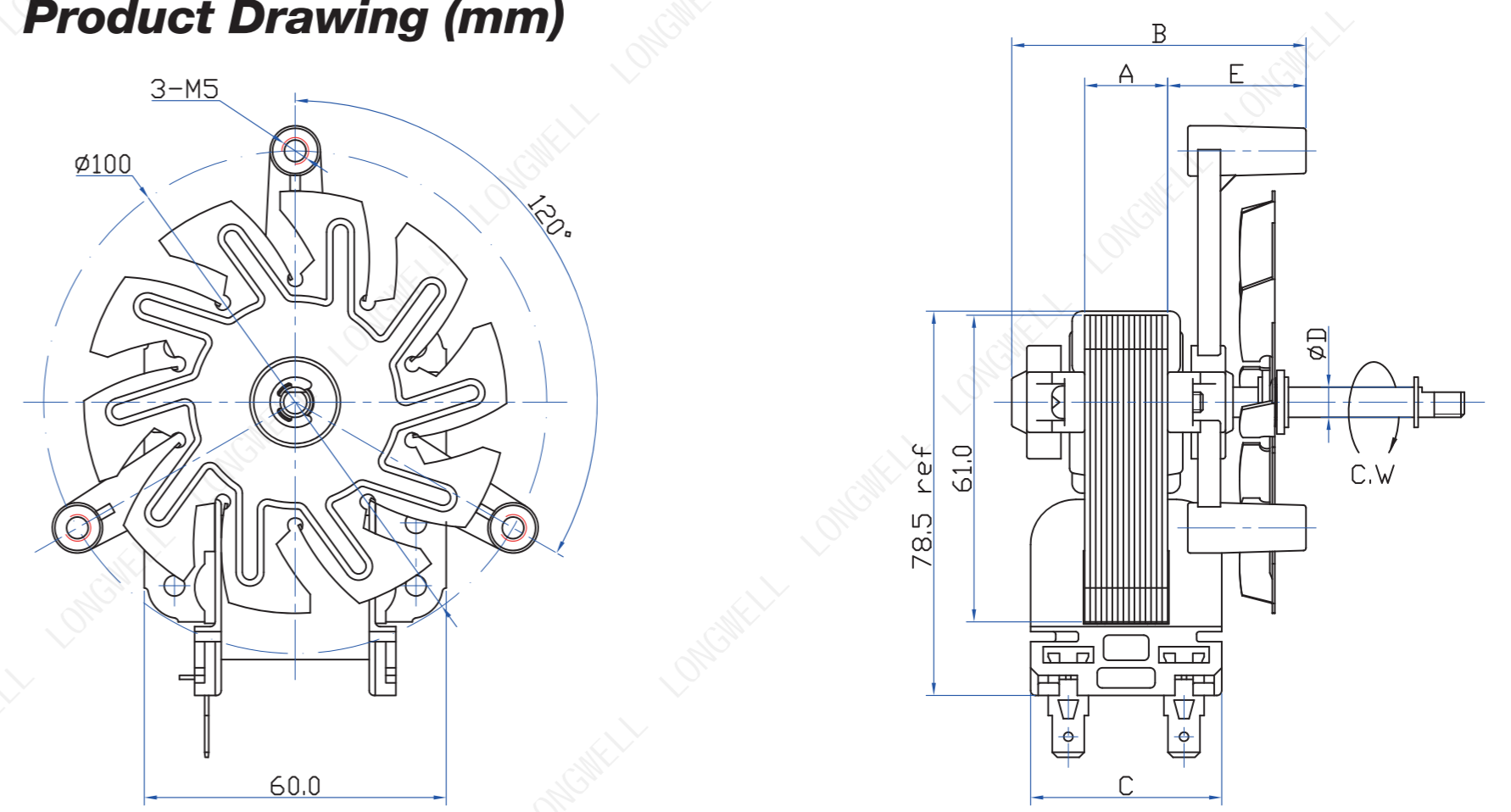
## Product Characteristic

- Power Supply: 100-240V 50/60Hz
- Insulation Class: F/H
- Bearing: Oil bearing/Rolling bearing
- Operation Environment Condition: -15 C-+120 C
- Shaft Diameter: Φ3.17 Φ4.0 Φ4.5 Φ4.6 Φ5.0 Φ5.5 Φ6.0
- Features: Low noise/No electromagnetic interference

## Technical Specifications

| Model        | A (mm) | B (mm)               | C (mm) | D (mm) | E (mm) | Max.Torque (g.cm) | Max.Input Power (W) | Max.Output Power (W) |
|--------------|--------|----------------------|--------|--------|--------|-------------------|---------------------|----------------------|
| LWSPM6116-02 | 16.5   | 48.5/51<br>55.5/57.5 | 38     |        |        | 260               | 35                  | 7                    |
| LWSPM6120-01 | 20.5   | 52.5/55<br>59.5/61.5 | 42     |        |        | 350               | 45                  | 10.3                 |
| LWSPM6125-01 | 25.5   | 57.5/60<br>64.5/66.5 | 47     |        | 18.5   | 450               | 53                  | 12.7                 |
| LWSPM6130-01 | 30.5   | 62.5/65<br>69.5/71.5 | 52     | 6      | 21     | 560               | 70                  | 16.8                 |
| LWSPM6135-01 | 35     | 67/69.5<br>74/76     | 57     |        | 25.5   | 800               | 90                  | 22.5                 |
| LWSPM6140-01 | 40.5   | 72.5/75<br>79.5/81.5 | 62     |        | 27.5   | 1000              | 106                 | 26.5                 |

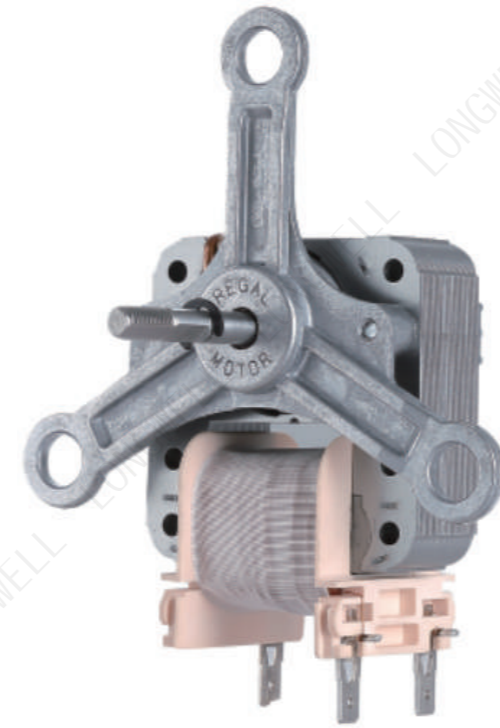
## Product Drawing (mm)



# LWSPM61 Series

## Product Characteristic

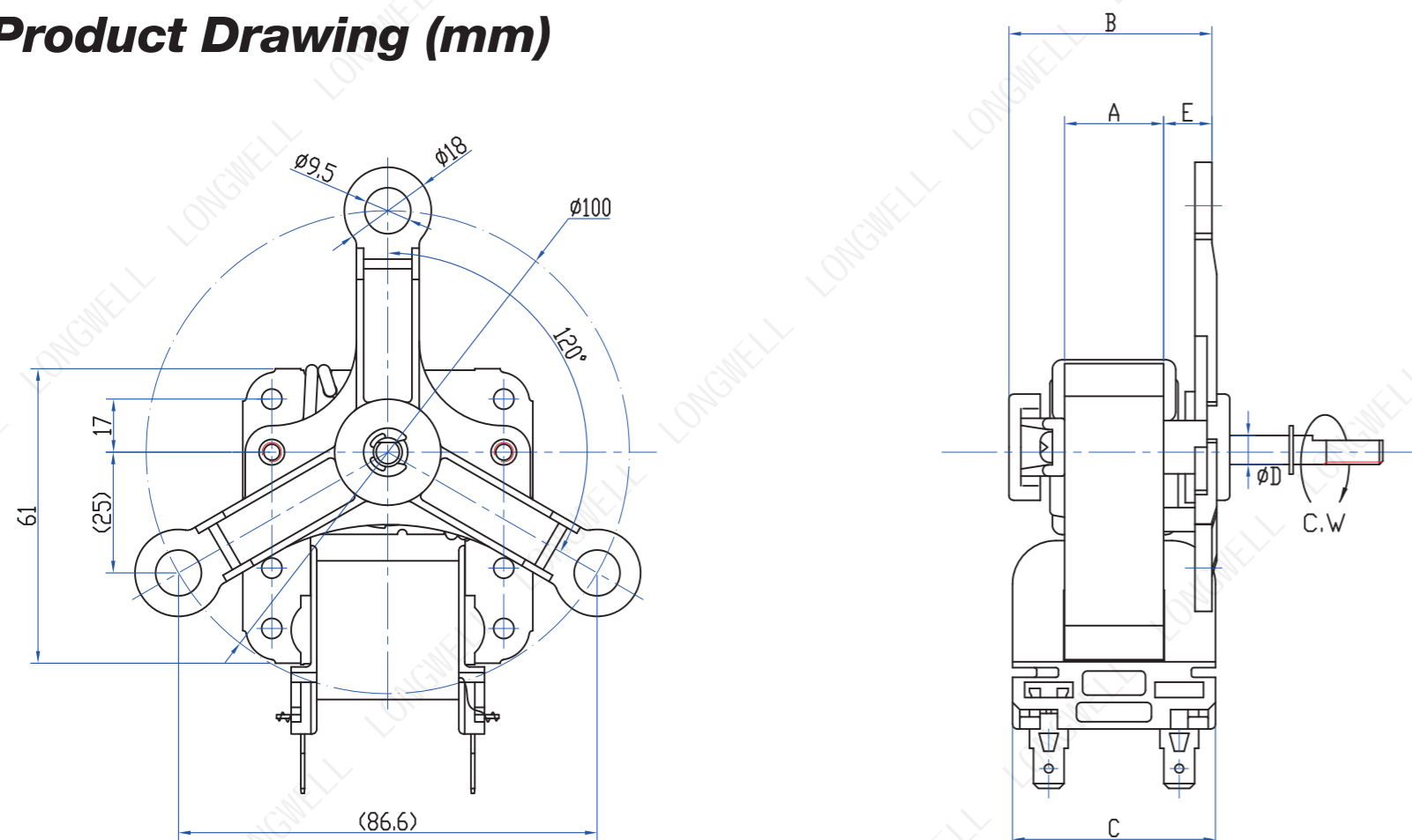
- Power Supply: 100-240V 50/60Hz
- Insulation Class: F/H
- Bearing: Oil bearing/Rolling bearing
- Operation Environment Condition: -15 C-+120 C
- Shaft Diameter:  $\Phi 3.17$   $\Phi 4.0$   $\Phi 4.5$   $\Phi 4.6$   $\Phi 5.0$   $\Phi 5.5$   $\Phi 6.0$
- Features: Low noise/No electromagnetic interference



## Technical Specifications

| Model        | A (mm) | B (mm) | C (mm) | D (mm) | E (mm) | Max.Torque (g.cm) | Max.Input Power (W) | Max.Output Power (W) |
|--------------|--------|--------|--------|--------|--------|-------------------|---------------------|----------------------|
| LWSPM6116-03 | 16.5   | 40     | 38     |        |        | 260               | 35                  | 7                    |
| LWSPM6120-02 | 20.5   | 44     | 42     |        |        | 350               | 45                  | 10.3                 |
| LWSPM6125-02 | 25.5   | 49     | 47     | 6      | 10     | 450               | 53                  | 12.7                 |
| LWSPM6130-02 | 30.5   | 54     | 52     |        |        | 560               | 70                  | 16.8                 |
| LWSPM6135-02 | 35     | 58.5   | 57     |        |        | 800               | 90                  | 22.5                 |
| LWSPM6140-02 | 40.5   | 64     | 62     |        |        | 1000              | 106                 | 26.5                 |

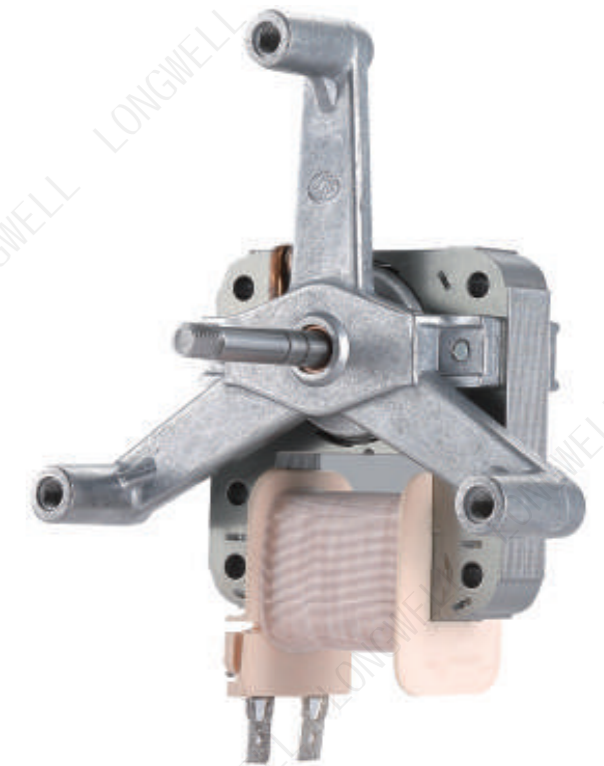
## Product Drawing (mm)



# LWSPM61 Series

## Product Characteristic

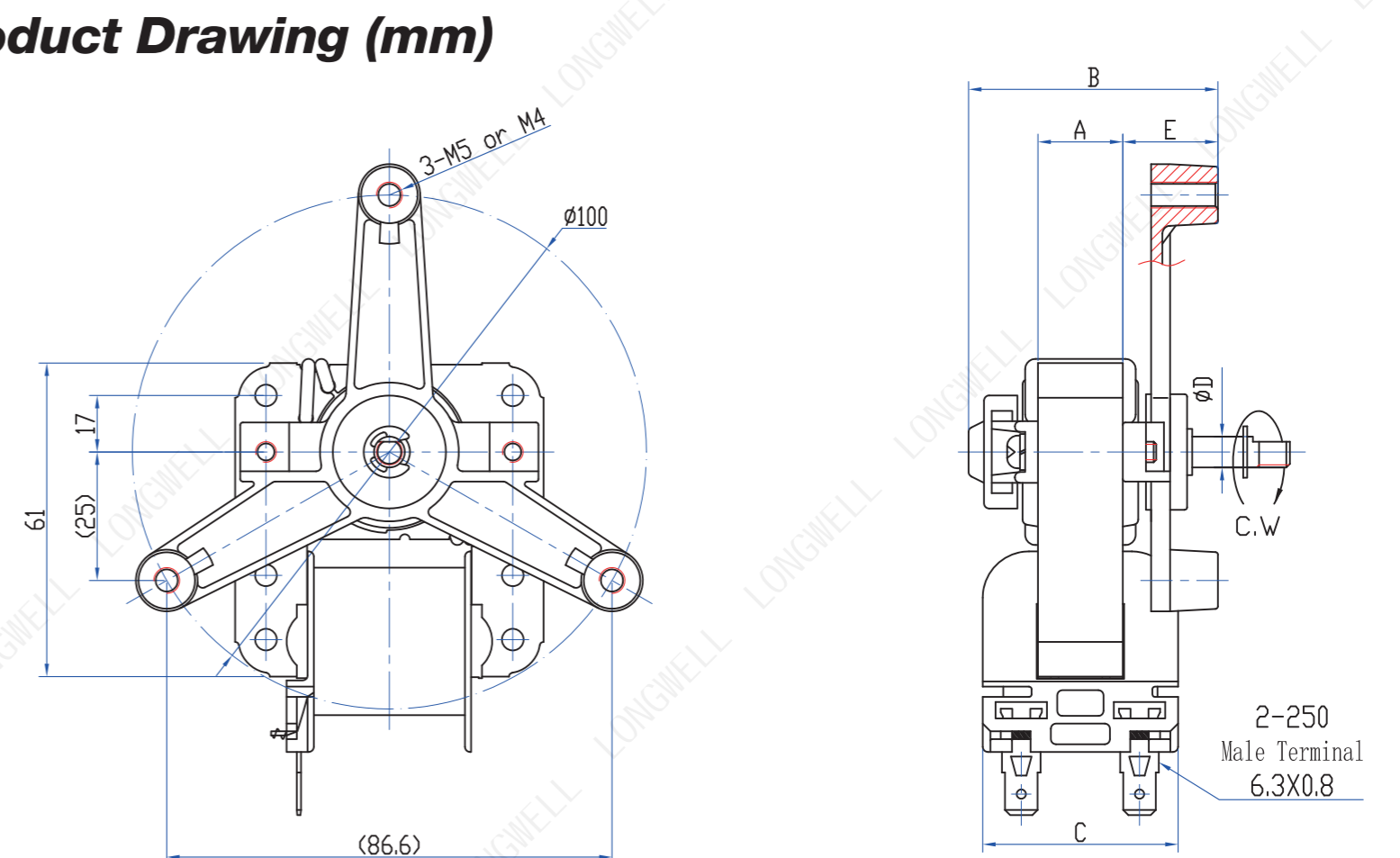
- Power Supply: 100-240V 50/60Hz
- Insulation Class: F/H
- Bearing: Oil bearing/Rolling bearing
- Operation Environment Condition: -15 C-+120 C
- Shaft Diameter:  $\Phi 3.17$   $\Phi 4.0$   $\Phi 4.5$   $\Phi 4.6$   $\Phi 5.0$   $\Phi 5.5$   $\Phi 6.0$
- Features: Low noise/No electromagnetic interference



## Technical Specifications

| Model        | A (mm) | B (mm)               | C (mm) | D (mm) | E (mm)       | Max.Torque (g.cm) | Max.Input Power (W) | Max.Output Power (W) |
|--------------|--------|----------------------|--------|--------|--------------|-------------------|---------------------|----------------------|
| LWSPM6112-02 | 12.5   | 44.5/47<br>51.5/53.5 | 31     |        |              | 120               | 25                  | 4.2                  |
| LWSPM6116-04 | 16.5   | 48.5/51<br>55.5/57.5 | 38     |        |              | 260               | 35                  | 7                    |
| LWSPM6120-03 | 20.5   | 52.5/55<br>59.5/61.5 | 42     | 6      | 18.5<br>21   | 350               | 45                  | 10.3                 |
| LWSPM6125-03 | 25.5   | 57.5/60<br>64.5/66.5 | 47     |        | 25.5<br>27.5 | 450               | 53                  | 12.7                 |
| LWSPM6130-03 | 30.5   | 62.5/65<br>69.5/71.5 | 52     |        |              | 560               | 70                  | 16.8                 |
| LWSPM6135-03 | 35     | 67/69.5<br>74/76     | 57     |        |              | 800               | 90                  | 22.5                 |

## Product Drawing (mm)



# LWSPM48 Series

## Product Characteristic

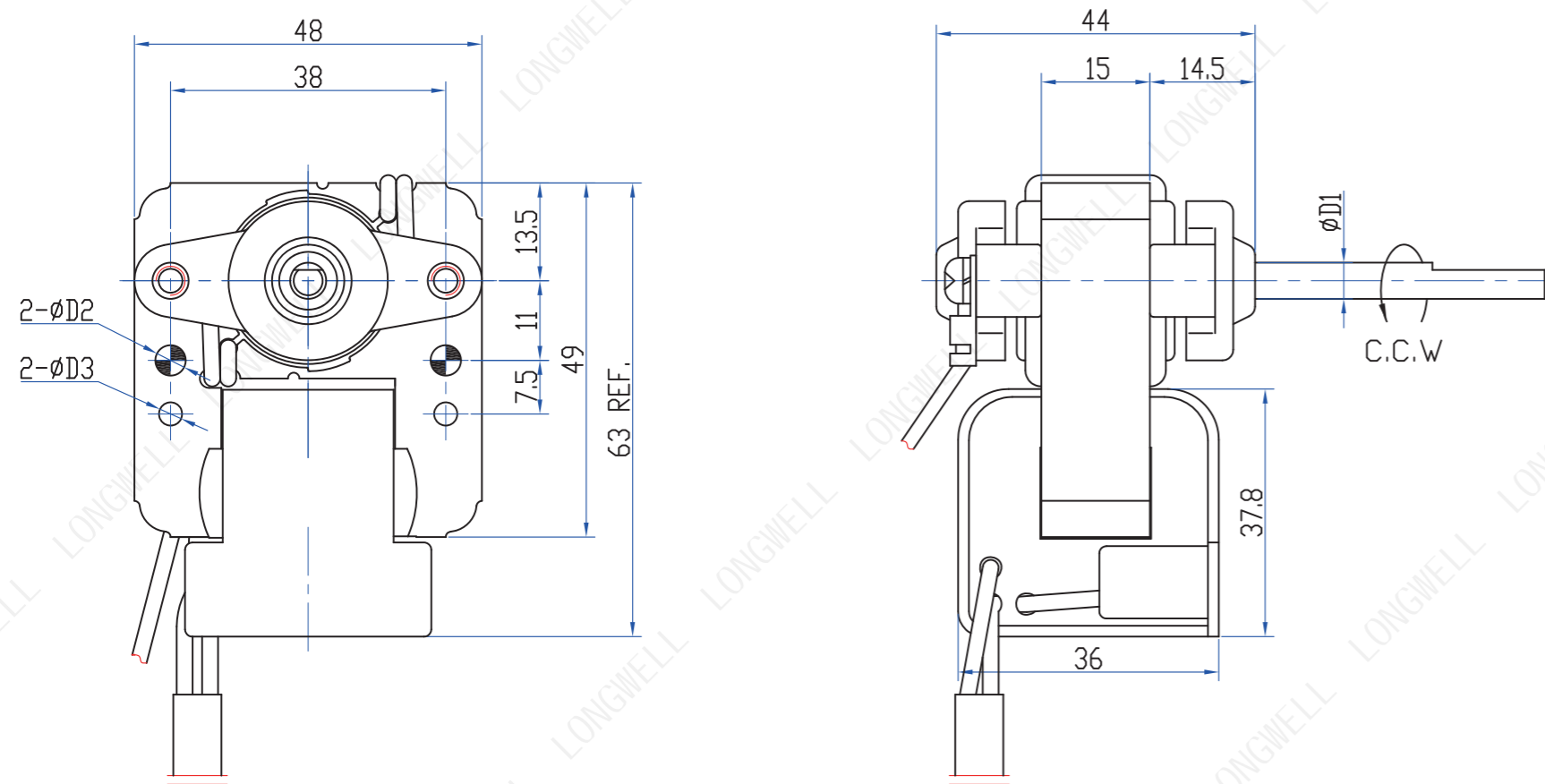
- Power Supply: 100-240V 50/60Hz
- Insulation Class: A/E/B/F
- Bearing: Oil bearing/Rolling bearing
- Operation Environment Condition: -15 C -+80 C
- Shaft Diameter:  $\Phi 3.17$   $\Phi 4.0$   $\Phi 4.5$   $\Phi 4.6$   $\Phi 5.0$   $\Phi 5.5$   $\Phi 6.0$
- Features: Low noise/No electromagnetic interference



## Technical Specifications

| Model        | D1 (mm) | D2 (mm) | D3 (mm) | Max.Torque (g.cm) | Max.Input Power (W) | Max.Output Power (W) |
|--------------|---------|---------|---------|-------------------|---------------------|----------------------|
| LWSPM4815-02 | 4/5     | 3.2/4.2 | 3.2/4.2 | 120               | 20                  | 3                    |

## Product Drawing (mm)



# LWSPM61 Series

## Product Characteristic

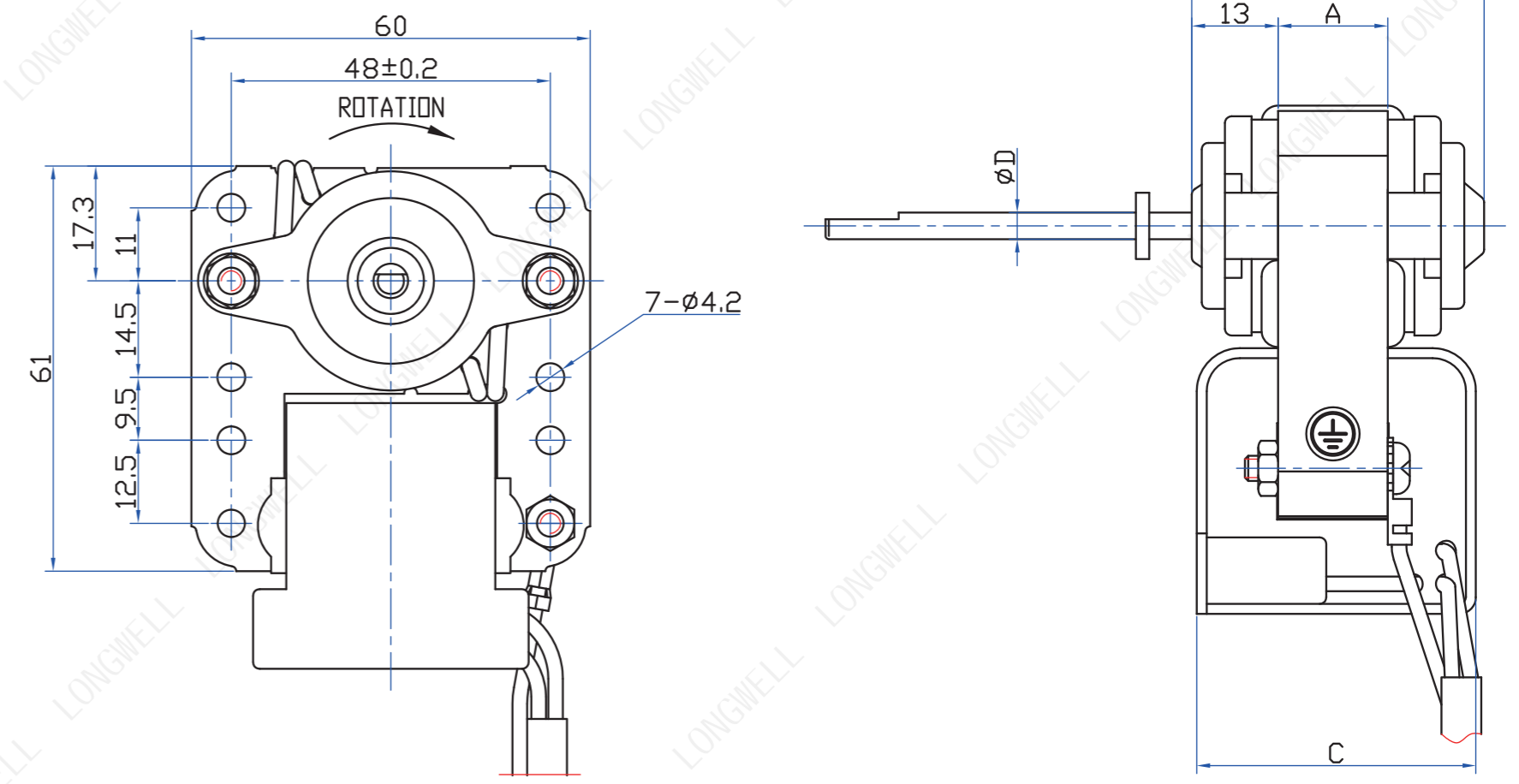
- Power Supply: 100-240V 50/60Hz
- Insulation Class: A/E/B/F
- Bearing: Oil bearing/Rolling bearing
- Operation Environment Condition: -15 C -+80 C
- Shaft Diameter:  $\Phi 3.17$   $\Phi 4.0$   $\Phi 4.5$   $\Phi 4.6$   $\Phi 5.0$   $\Phi 5.5$   $\Phi 6.0$
- Features: Low noise/No electromagnetic interference



## Technical Specifications

| Model        | A (mm) | B (mm) | C (mm) | D (mm) | Max.Torque (g.cm) | Max.Input Power (W) | Max.Output Power (W) |
|--------------|--------|--------|--------|--------|-------------------|---------------------|----------------------|
| LWSPM6110-02 | 10     | 37.5   | 32     | 3.17   | 80                | 18                  | 2.7                  |
| LWSPM6113-02 | 13.5   | 41     | 39     | 4      | 160               | 28                  | 4.8                  |
| LWSPM6116-05 | 16.5   | 44     | 42     | 5      | 260               | 35                  | 7                    |

## Product Drawing (mm)



# LWSPM61 Series

## Product Characteristic

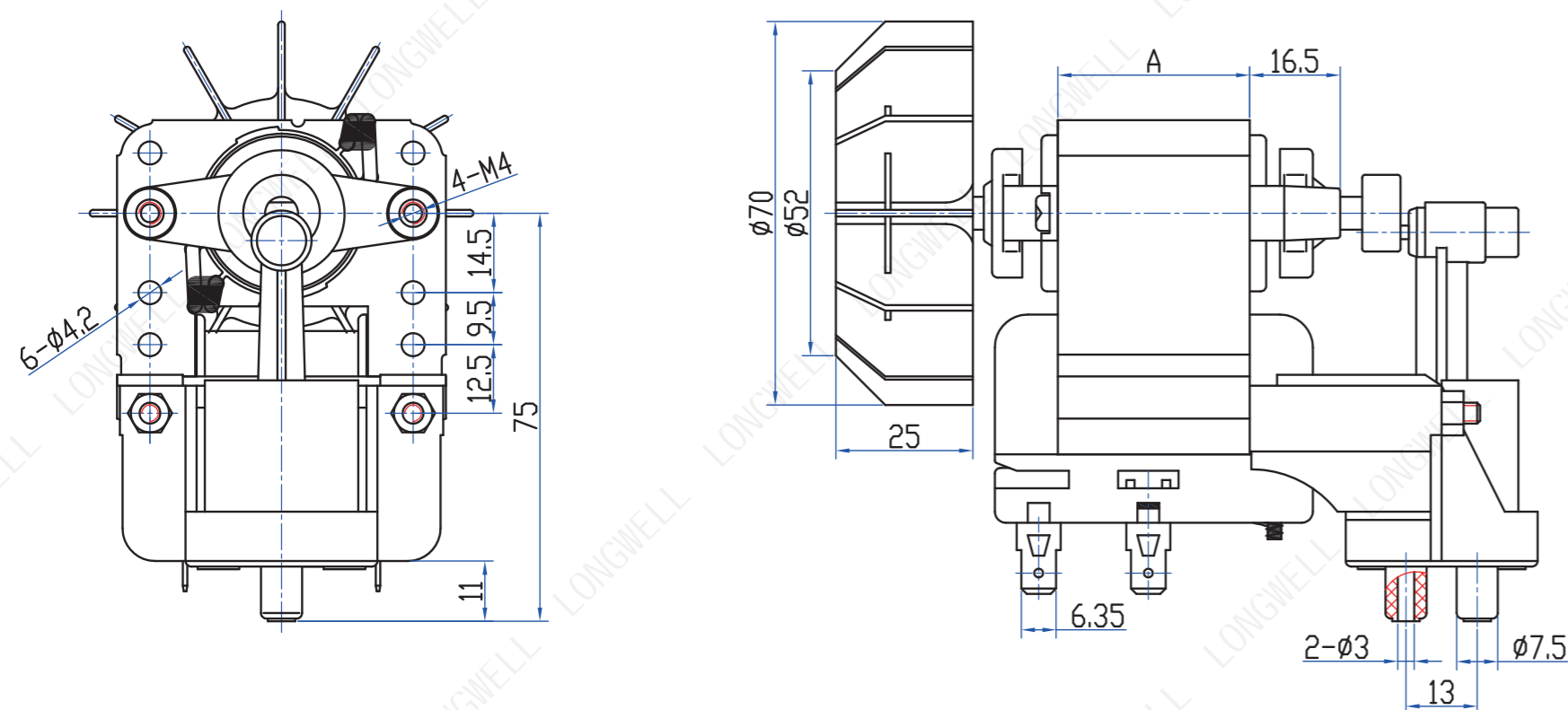
- Power Supply: 100-240V 50/60Hz
- Insulation Class: A/E/B/F
- Bearing: Oil bearing/Rolling bearing
- Operation Environment Condition: -15°C-+80°C
- Shaft Diameter:  $\Phi 3.17$   $\Phi 4.0$   $\Phi 4.5$   $\Phi 4.6$   $\Phi 5.0$   $\Phi 5.5$   $\Phi 6.0$
- Features: Low noise/No electromagnetic interference



## Technical Specifications

| Model        | A (mm) | Voltage (V) | Frequency (Hz) | Max.Input Current (A) | Air Pressure (K Pa) | Charge Volume (m <sup>3</sup> /min) |
|--------------|--------|-------------|----------------|-----------------------|---------------------|-------------------------------------|
| LWSPM6125-04 | 25.5   | 230         | 50             | 0.68                  | 80                  | 0.27                                |
| LWSPM6130-04 | 30.5   | 230         | 50             | 0.73                  | 80                  | 0.3                                 |
| LWSPM6135-04 | 35     | 230         | 50             | 0.9                   | 100                 | 0.3                                 |
| LWSPM6140-03 | 40.5   | 230         | 50             | 1.05                  | 110                 | 0.36                                |

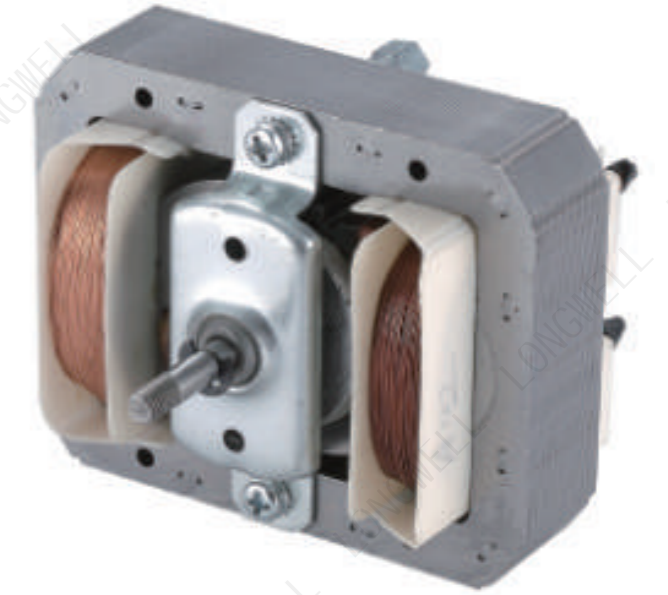
## Product Drawing (mm)



# LWSPM68 Series

## Product Characteristic

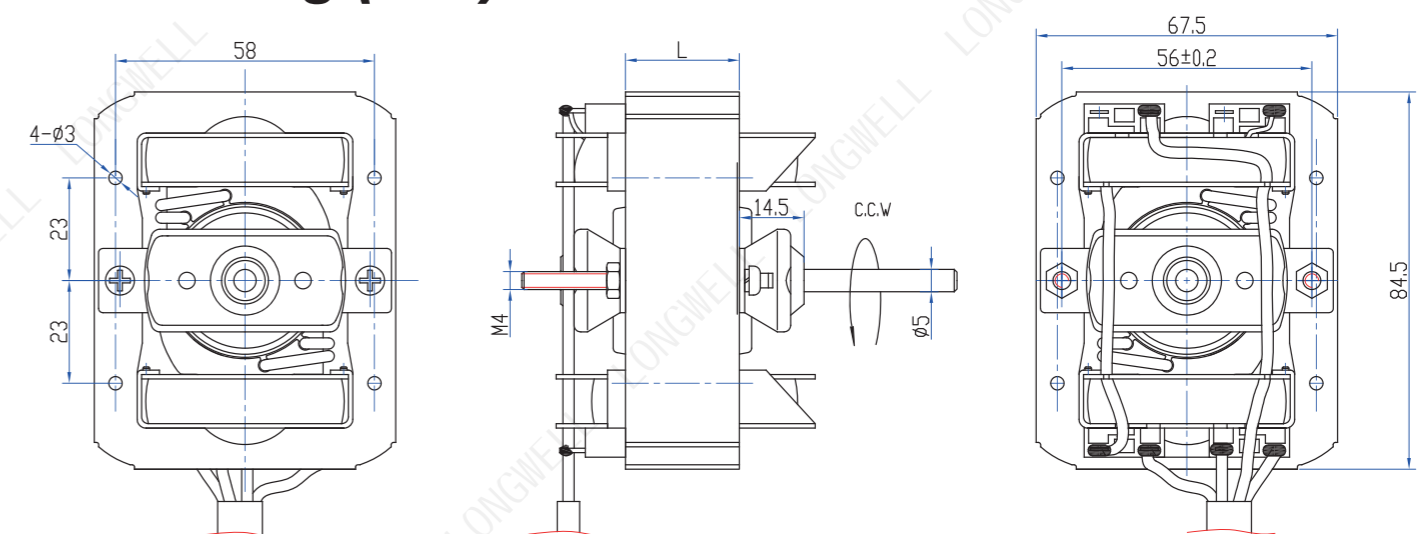
- Power Supply: 100-240V 50/60Hz
- Insulation Class: A/E/B/F
- Bearing: Oil bearing/Rolling bearing
- Operation Environment Condition: -15°C-+80°C
- Shaft Diameter:  $\Phi 3.17$   $\Phi 4.0$   $\Phi 4.5$   $\Phi 4.6$   $\Phi 5.0$   $\Phi 5.5$   $\Phi 6.0$
- Features: Low noise/No electromagnetic interference



## Technical Specifications

| Model        | L (mm) | Voltage (V) | Frequency (Hz) | Max.Torque (g.cm) | Max.Input Power (W) | Max.Output Power (W) |
|--------------|--------|-------------|----------------|-------------------|---------------------|----------------------|
| LWSPM6818-01 | 18     | 230         | 50             | 60.3              | 90                  | 13.25                |
| LWSPM6820-01 | 20     | 230         | 50             | 68.66             | 100                 | 14.79                |
| LWSPM6822-01 | 22     | 230         | 50             | 86.3              | 106                 | 17.94                |
| LWSPM6825-01 | 25     | 230         | 50             | 94.1              | 109                 | 21.67                |
| LWSPM6827-01 | 27     | 230         | 50             | 103.6             | 119                 | 23.86                |
| LWSPM6828-01 | 28     | 230         | 50             | 112.9             | 123.9               | 26.01                |
| LWSPM6830-01 | 30     | 230         | 50             | 128.7             | 131.5               | 29.65                |
| LWSPM6833-01 | 33     | 230         | 50             | 144.4             | 140                 | 33.25                |
| LWSPM6835-01 | 35     | 230         | 50             | 155.4             | 148                 | 35.8                 |
| LWSPM6838-01 | 38     | 230         | 50             | 164.5             | 151                 | 37.89                |
| LWSPM6840-01 | 40     | 230         | 50             | 170.8             | 156                 | 39.33                |
| LWSPM6845-01 | 45     | 230         | 50             | 181.8             | 163.8               | 41.86                |
| LWSPM6850-01 | 50     | 230         | 50             | 192.3             | 172.9               | 44.28                |

## Product Drawing (mm)



# LWSPM48 Series

## Product Characteristic

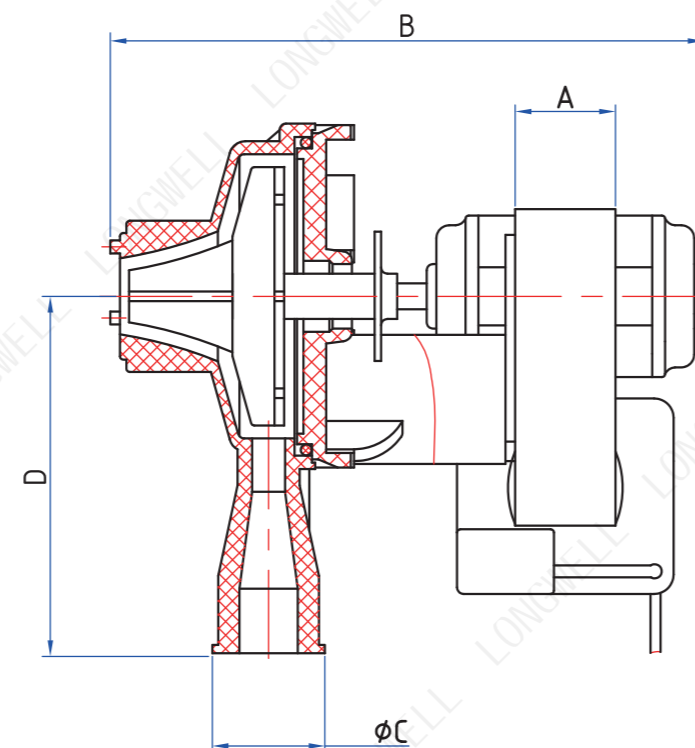
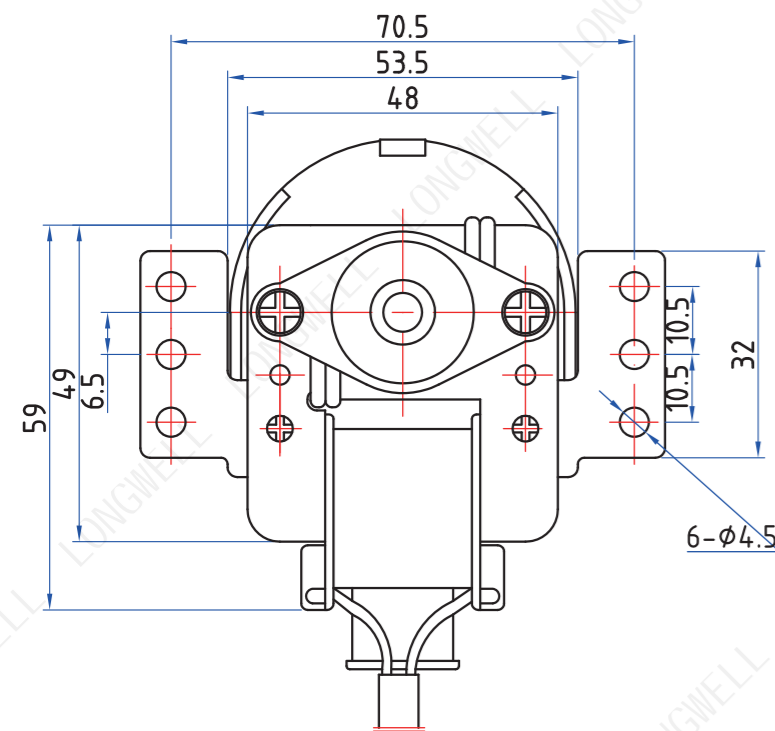
- Power Supply: 100-240V 50/60Hz
- Insulation Class: A/E/B/F
- Bearing: Oil bearing/Rolling bearing
- Operation Environment Condition: -15°C-+80°C
- Shaft Diameter: Φ3.17 Φ4.0 Φ4.5 Φ4.6 Φ5.0 Φ5.5 Φ6.0
- Features: Low noise/No electromagnetic interference



## Technical Specifications

| Model        | A (mm) | B (mm) | C (mm) | D (mm) | Limit Water Level (mm) | Maximum Lift (m) | Displacement (ml/min) |
|--------------|--------|--------|--------|--------|------------------------|------------------|-----------------------|
| LWSPM4815-03 | 15     | 112    | 14     | 49     | 6                      | 0.7              | 500                   |
| LWSPM4820-01 | 20     | 117    | 17     | 55     | 6                      | 1.2              | 500                   |

## Product Drawing (mm)



# LWSPM61 Series

## Product Characteristic

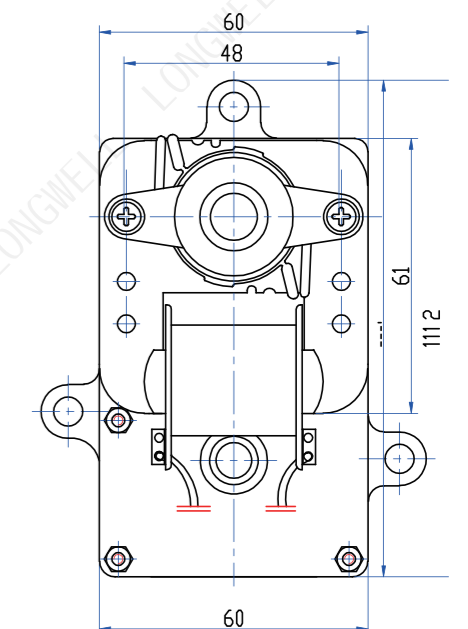
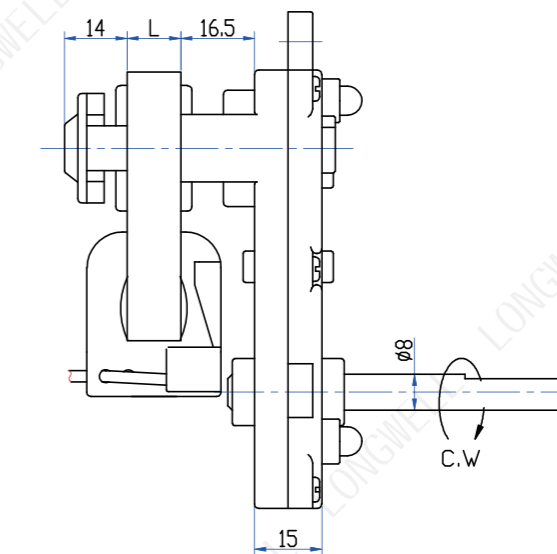
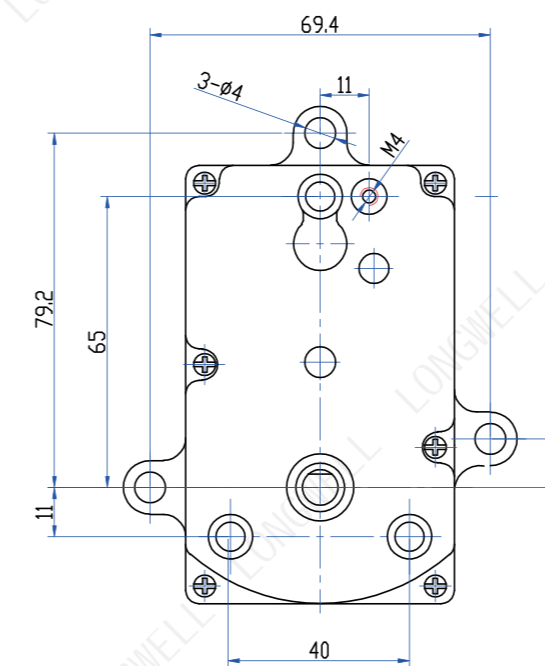
- Power Supply: 100-240V 50/60Hz
- Insulation Class: A/E/B/F/H
- Bearing: Oil bearing/Rolling bearing
- Operation Environment Condition: -5°C-+100°C
- Shaft Diameter: Φ3.17 Φ4.0 Φ4.5 Φ4.6 Φ5.0 Φ5.5 Φ6.0
- Features: Low noise/No electromagnetic interference



## Technical Specifications

| Model        | L (mm) | Voltage (V) | Rted Speed (r/min)     | Max.Torque (g.cm) | Max.Input Power (W) | Max.Output Power (W) |
|--------------|--------|-------------|------------------------|-------------------|---------------------|----------------------|
| LWSPM6110-03 | 10     | 100-240     | 50Hz 50±5<br>60Hz 60±5 | 0.45              | 16                  | 2.5                  |
| LWSPM6112-03 | 12.5   |             |                        | 0.65              | 20                  | 3.5                  |
| LWSPM6120-04 | 20.5   |             |                        | 1.65              | 48                  | 9.5                  |
| LWSPM6125-05 | 25.5   |             |                        | 2.5               | 60                  | 12.5                 |
| LWSPM6130-05 | 30.5   |             |                        | 2.8               | 70                  | 15.7                 |

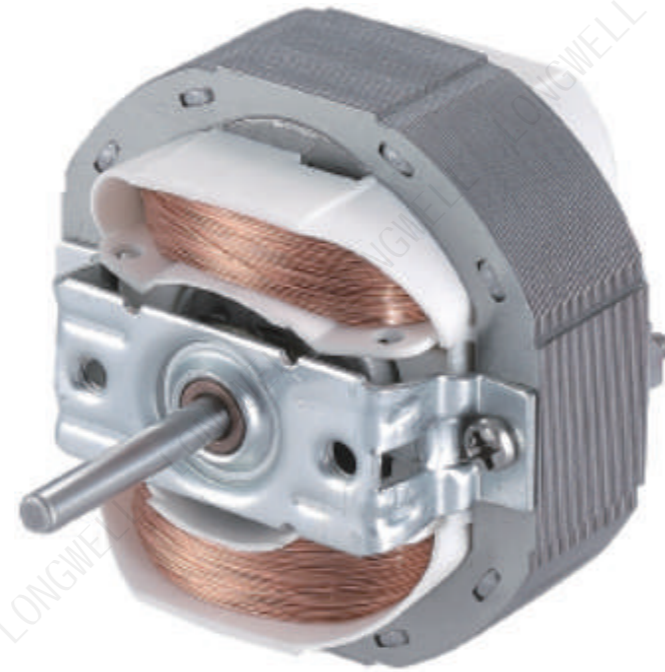
## Product Drawing (mm)



# LWSPM58 Series

## Product Characteristic

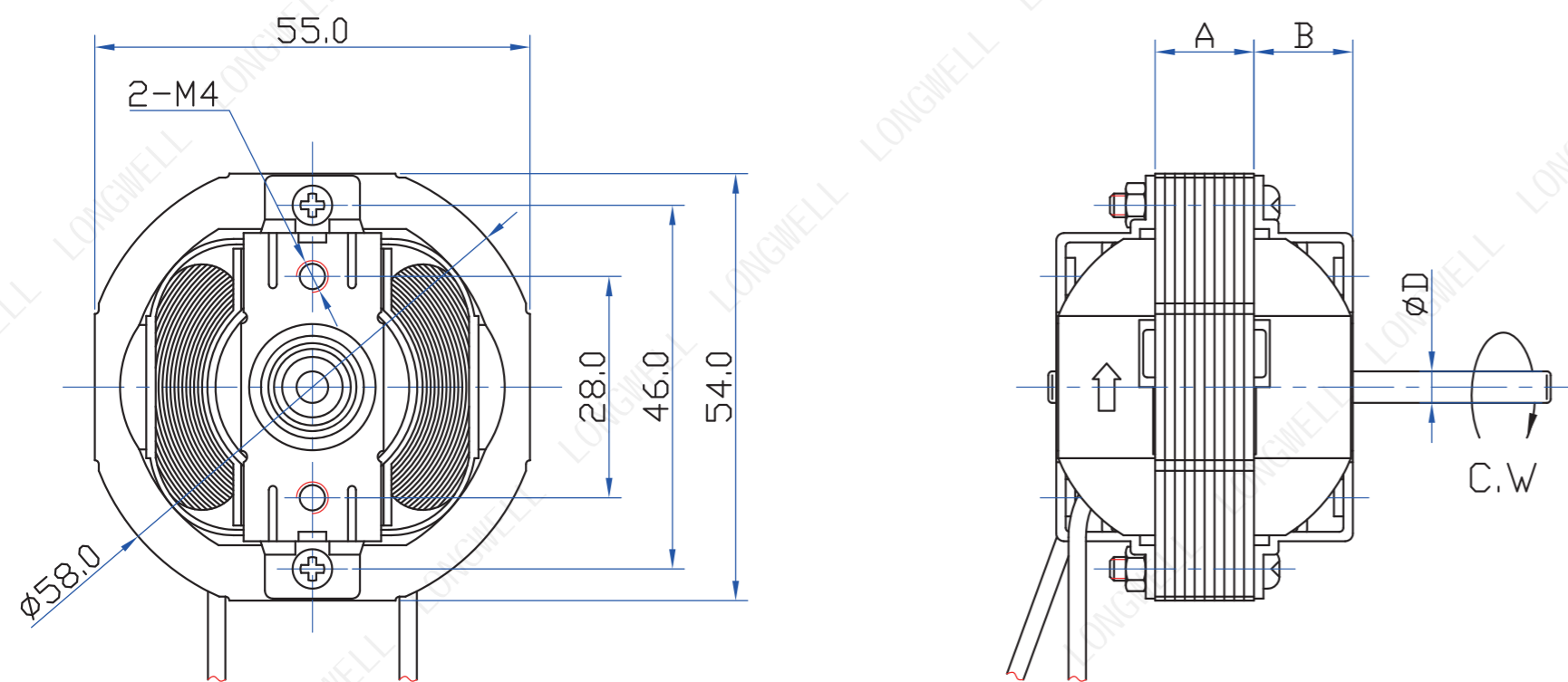
- Power Supply: 100-240V 50/60Hz
- Insulation Class: A/E/B
- Bearing: Oil bearing/Rolling bearing
- Operation Environment Condition: -15 C ~+80 C
- Shaft Diameter:  $\Phi 3.17$   $\Phi 4.0$   $\Phi 4.5$   $\Phi 4.6$   $\Phi 5.0$   $\Phi 5.5$   $\Phi 6.0$
- Features: Low noise/No electromagnetic interference



## Technical Specifications

| Model        | A (mm) | B (mm) | D (mm) | Max.Torque (g.cm) | Max.Input Power (W) | Max.Output Power (W) |
|--------------|--------|--------|--------|-------------------|---------------------|----------------------|
| LWSPM5810-01 | 10.5   |        |        | 80                | 15                  | 2                    |
| LWSPM5812-01 | 12.5   |        |        | 120               | 20                  | 3                    |
| LWSPM5816-01 | 16.5   |        |        | 180               | 28                  | 4.5                  |
| LWSPM5820-01 | 20.5   | 12.5   | 4      | 250               | 40                  | 6.3                  |
| LWSPM5825-01 | 25.5   | 13.5   | 5      | 320               | 53                  | 8                    |
| LWSPM5830-01 | 30.5   |        | 6      | 400               | 65                  | 10.5                 |
| LWSPM5835-01 | 35.5   |        |        | 480               | 75                  | 12.5                 |

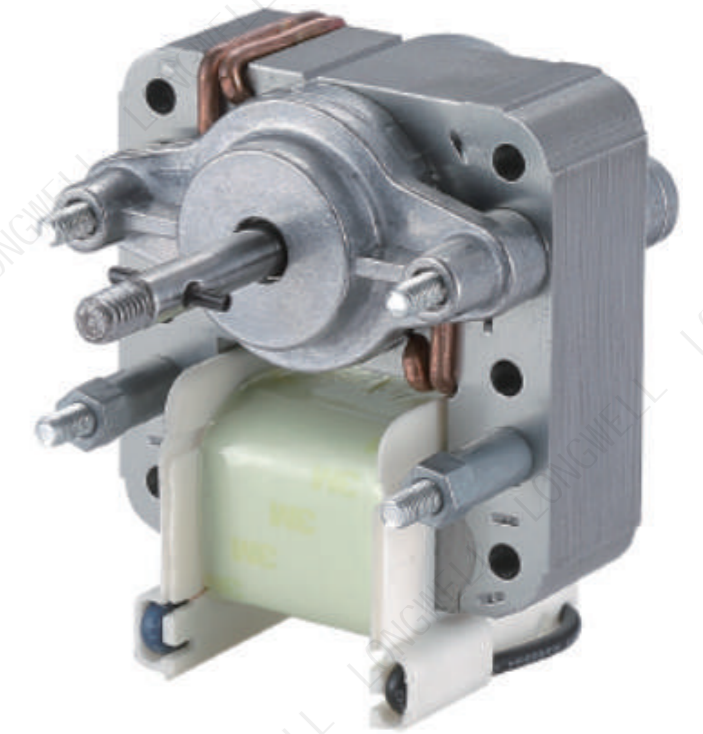
## Product Drawing (mm)



# LWSPM61 Series

## Product Characteristic

- Power Supply: 100-240V 50/60Hz
- Insulation Class: A/E/B
- Bearing: Oil bearing/Rolling bearing
- Operation Environment Condition: -15 C ~+80 C
- Shaft Diameter:  $\Phi 3.17$   $\Phi 4.0$   $\Phi 4.5$   $\Phi 4.6$   $\Phi 5.0$   $\Phi 5.5$   $\Phi 6.0$
- Features: Low noise/No electromagnetic interference



## Technical Specifications

| Model        | A (mm) | B (mm) | C (mm) | H (mm) | D (mm) | Max.Torque (g.cm) | Max.Input Power (W) | Max.Output Power (W) |
|--------------|--------|--------|--------|--------|--------|-------------------|---------------------|----------------------|
| LWSPM6110-04 |        | 10     | 29     |        |        | 80                | 18                  | 2.7                  |
| LWSPM6112-04 |        | 12.5   | 33     |        |        | 120               | 25                  | 4.2                  |
| LWSPM6113-03 |        | 13.5   | 34     |        |        | 160               | 28                  | 4.8                  |
| LWSPM6115-02 |        | 15.5   | 38     |        | 3.17   | 220               | 30                  | 5.4                  |
| LWSPM6116-06 | 13.5   | 16.5   | 39     | 13.5   | 4      | 260               | 35                  | 7                    |
| LWSPM6120-05 | 15     | 20.5   | 43     | 16.5   | 4.5    | 350               | 45                  | 10.3                 |
| LWSPM6125-06 |        | 25.5   | 48     |        | 4.6    | 450               | 53                  | 12.7                 |
| LWSPM6130-06 |        | 30.5   | 53     |        | 5      | 560               | 70                  | 16.8                 |
| LWSPM6135-05 |        | 35     | 58     |        | 5.5    | 800               | 90                  | 22.5                 |
| LWSPM6140-04 |        | 40.5   | 63     |        | 6      | 1000              | 106                 | 26.5                 |

## Product Drawing (mm)

