

High Efficiency Three-phase Induction Motor



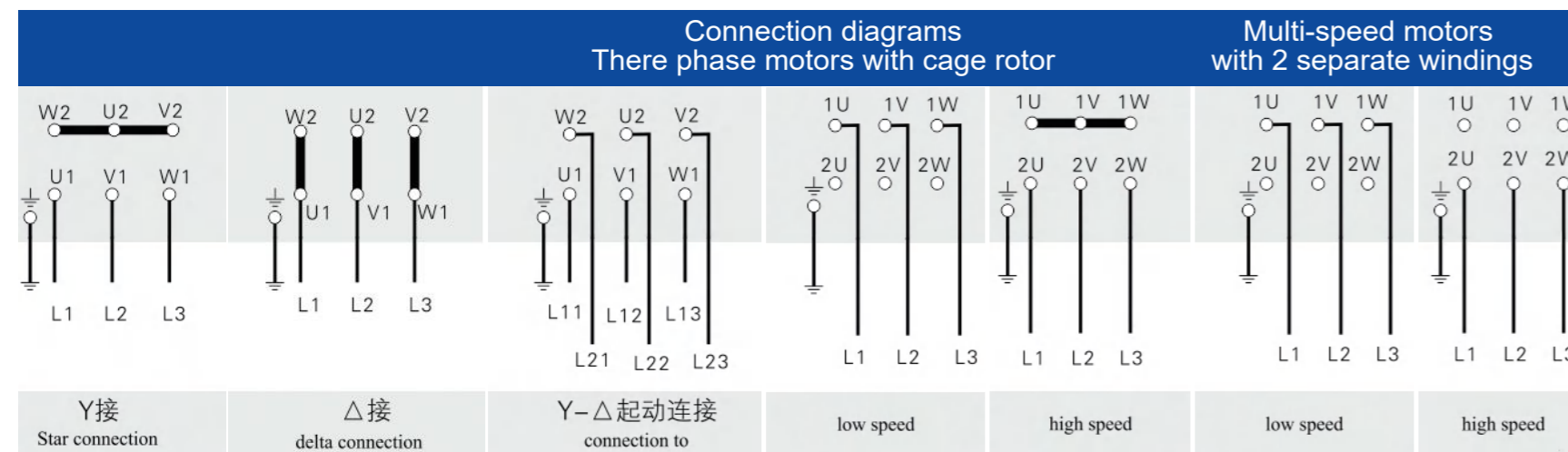
Degrees of protection

IEC 60034-5

Designation	First numeral	Second numeral
	Protection against contact and ingress of foreign bodies. protection against hazardous "live" parts and moving mechanical parts	Protection againstwater
	Ingress of dust is not totally prevented, but dust shall not interfere with the satisfactory operation of equipment.A probe of 1mm diameter shall not penetrate the enclosure	What projected in jets against the enclosure from any direction will have no harmful effects
	No ingress of dust.	What projected in power jets shall have no harmful effects
IP 55	Dust protected	Jetting water
IP 56	Dust protected	Powerful Jetting
IP 65	Dust tight	Jetting water
IP 66	Dust tight	Powerful Jetting

Connection diagrams

Three phase motors with cage rotor



Technical data

2 pole-3000 rpm synchronous speed 50Hz

Model	Rated output (KW)	Rated speed (rpm)	Rated current (1FL 380V A)	Rated current (1FL 400V A)	Rated current (1FL 415V A)	Rated current (1FL 525V A)
YE2-801-2	0.75	2855	1.8	1.7	1.6	1.3
YE2-802-2	1.1	2855	2.5	2.4	2.3	1.8
YE2-90S-2	1.5	2875	3.3	3.1	3	2.4
YE2-90L-2	2.2	2875	4.7	4.4	4.3	3.4
YE2-100L-2	3	2880	6.1	5.8	5.6	4.4
YE2-112M-2	4	2900	7.9	7.5	7.3	5.7
YE2-132S1-2	5.5	2900	10.8	10.2	9.9	7.8
YE2-132S2-2	7.5	2900	14.5	13.8	13.3	10.5
YE2-160M1-2	11	2940	21	19.9	19.2	15.2
YE2-160M2-2	15	2940	28	26.6	25.6	20.3
YE2-160L-2	18.5	2940	34.7	33	31.8	25.1
YE2-180M-2	22	2955	41.1	39	37.6	29.7
YE2-200L1-2	30	2965	55.5	52.8	50.9	40.2
YE2-200L2-2	37	2965	68.2	64.8	62.5	49.4
YE2-225M-2	45	2970	82.6	78.5	75.6	59.8
YE2-250M-2	55	2975	100.6	95.6	92.1	72.8
YE2-280S-2	75	2975	136.4	129.5	124.9	98.7
YE2-280M-2	90	2975	163.1	155	149.4	118.1
YE2-315S-2	110	2980	196.7	186.9	180.1	142.4
YE2-315M-2	132	2980	235.3	223.5	215.5	170.3
YE2-315L1-2	160	2980	281.5	267.4	257.8	203.8
YE2-315L2-2	185	2980	325.5	309.2	298	235.6
YE2-315L2-2	200	2980	351.5	333.9	321.9	254.4
YE2-355M1-2	220	2980	391	371.5	358	283
YE2-355M2-2	250	2980	444.2	422	406.8	321.6
YE2-355L1-2	280	2980	497.6	472.6	455.6	360
YE2-355L2-2	315	2980	559.8	531.7	512.6	405
YE2-3551-2	355	2980	631	599.3	577.6	456
YE2-3552-2	375	2980	666	633	610.2	482.3

Technical data

2 pole-3000 rpm synchronous speed 50Hz

Model	Efficiency (%)	Power factor (CosΦ)	Rated torque (N.m)	TST/TFL	TM/TFL	IST/IFL	Moment of inertia(Kgm ²)	Noise [dB(A)]	Weight (kg)
YE2-801-2	77.4	0.83	2.5	2.4	2.5	6.5	0.001	62	18
YE2-802-2	79.8	0.84	3.7	2.4	2.5	6.7	0.002	62	20
YE2-90S-2	81.4	0.85	5	2.4	2.6	7.3	0.002	67	26
YE2-90L-2	83.2	0.86	7.3	2.4	2.6	7.4	0.003	67	30
YE2-100L-2	84.6	0.88	9.9	2.5	2.5	7.8	0.005	74	37
YE2-112M-2	86	0.89	13.2	2.3	2.6	8.1	0.008	77	47
YE2-132S1-2	87.2	0.89	18.1	2.3	2.5	7.9	0.014	79	65
YE2-132S2-2	88.2	0.89	24.7	2.3	2.5	7.8	0.018	79	73
YE2-160M1-2	89.6	0.89	35.7	2.3	2.5	7.5	0.051	81	122
YE2-160M2-2	90.4	0.9	48.7	2.2	2.5	7.2	0.064	81	133
YE2-160L-2	90.9	0.89	60.1	2.3	2.4	7.5	0.076	81	152
YE2-180M-2	91.4	0.89	71.1	2.4	2.4	8.1	0.105	83	192
YE2-200L1-2	92.2	0.89	96.6	2.2	2.5	7.5	0.179	84	252
YE2-200L2-2	92.6	0.89	119.2	2.1	2.6	7.5	0.201	84	275
YE2-225M-2	93	0.89	144.7	2.2	2.5	7.5	0.305	86	315
YE2-250M-2	93.3	0.89	176.6	2.2	2.5	7.6	0.414	89	417
YE2-280S-2	93.9	0.89	240.8	1.9	2.6	6.9	0.695	91	571
YE2-280M-2	94.2	0.89	288.9	2	2.6	6.9	0.852	91	607
YE2-315S-2	94.4	0.9	352.5	1.9	2.5	7	1.753	92	965
YE2-315M-2	94.7	0.9	423	1.9	2.4	7	1.874	92	1067
YE2-315L1-2	94.9	0.91	512.8	1.9	2.4	7.1	2.296	92	1151
YE2-315L-2	94.8	0.91	592.9	1.8	2.2	7.1	2.3872	92	1205
YE2-315L2-2	95	0.9	640.9	1.8	2.2	7.1	2.478	92	1253
YE2-355M1-2	95	0.91	705	1.6	2.2	7.1	2.900	100	1540
YE2-355M2-2	95	0.91	801.2	1.6	2.2	7.1	3.498	100	1638
YE2-355L1-2	95	0.91	897.3	1.6	2.2	7.2	4.095	100	1752
YE2-355L2-2	95	0.91	1009.5	1.6	2.2	7.2	4.436	100	1834
YE2-3551-2	95	0.91	1137.6	1.6	2.2	7.2	4.959	104	1936
YE2-3552-2	95	0.9	1201.7	1.6	2.2	7.2	5.176	104	2108

Technical data

4 pole-1500 rpm synchronous speed 50Hz

Model	Rated output (KW)	Rated speed (rpm)	Rated current (1FL 380V A)	Rated current (1FL 400V A)	Rated current (1FL 415V A)	Rated current (1FL 525V A)
YE2-802-4	0.75	1400	1.9	1.8	1.7	1.3
YE2-90S-4	1.1	1425	2.6	2.5	2.4	1.9
YE2-90L-4	1.5	1425	3.5	3.3	3.2	2.5
YE2-100L1-4	2.2	1440	4.9	4.7	4.5	3.5
YE2-100L2-4	3	1440	6.5	6.2	6	4.7
YE2-112M-4	4	1450	8.7	8.2	7.9	6.3
YE2-132S-4	5.5	1455	11.6	11	10.6	8.4
YE2-132M-4	7.5	1455	15.5	14.7	14.2	11.2
YE2-160M-4	11	1465	22.4	21.3	20.5	16.2
YE2-160L-4	15	1465	29.9	28.4	27.4	21.6
YE2-180M-4	18.5	1470	35.8	34	32.8	25.9
YE2-180L-4	22	1475	42.4	40.3	38.8	30.7
YE2-200L-4	30	1475	58	55.1	53.1	42
YE2-225S-4	37	1480	70.5	67	64.6	51
YE2-225M-4	45	1480	85.4	81.1	78.2	61.8
YE2-250M-4	55	1480	103.9	98.7	95.2	75.2
YE2-280S-4	75	1485	139.3	132.4	127.6	100.9
YE2-280M-4	90	1485	164.8	156.5	150.9	119.3
YE2-315S-4	110	1485	198.7	188.8	182	143.8
YE2-315M-4	132	1485	238	226.1	217.9	172.2
YE2-315L1-4	160	1485	284.6	270.4	260.6	206
YE2-315L-4	185	1485	329	312.7	301.3	297
YE2-315L2-4	200	1485	355	337.3	258.1	282.7
YE2-355M1-4	220	1490	390.5	371	357.6	282.7
YE2-355M2-4	250	1490	448.7	426.3	411	324.8
YE2-355L1-4	280	1490	502.6	477.5	460.2	353.8
YE2-355L2-4	315	1490	565.5	537.2	517.8	409.2
YE2-3551-4	355	1490	637.3	605.4	583.5	461.3
YE2-3552-4	375	1490	673	639.5	616.4	487.2

Technical data

4 pole-1500 rpm synchronous speed 50Hz

Model	Efficiency (%)	Power factor (CosΦ)	Rated torque (N.m)	TST/TFL	TM/TFL	IST/IFL	Moment of inertia(Kgm ²)	Noise [dB(A)]	Weight (kg)
YE2-802-4	79.6	0.77	5.1	2.4	2.5	6.2	0.003	56	20
YE2-90S-4	81.5	0.78	7.4	2.4	2.5	6.4	0.004	59	26
YE2-90L-4	82.8	0.79	10.1	2.3	2.4	6.5	0.006	59	29
YE2-100L1-4	84.3	0.81	14.6	2.4	2.5	7.2	0.01	64	37
YE2-100L2-4	85.5	0.82	19.9	2.4	2.5	7.1	0.013	64	40
YE2-112M-4	86.7	0.81	26.3	2.3	2.5	7.3	0.019	65	52
YE2-132S-4	87.7	0.82	36.1	2	2.4	7.3	0.036	71	70
YE2-132M-4	88.7	0.83	49.2	2	2.5	7.1	0.047	71	84
YE2-160M-4	89.9	0.83	71.7	2.2	2.4	7.4	0.103	73	135
YE2-160L-4	90.8	0.84	97.8	2.2	2.6	7.5	0.131	73	156
YE2-180M-4	91.3	0.86	120.2	2.1	2.6	7.6	0.183	76	196
YE2-180L-4	91.7	0.86	142.4	2.1	2.6	7.7	0.219	76	215
YE2-200L-4	92.4	0.85	194.2	2.1	2.5	6.9	0.297	76	275
YE2-225S-4	92.7	0.86	238.8	2.1	2.4	6.8	0.578	78	328
YE2-225M-4	93.1	0.86	290.4	2.2	2.5	7.2	0.659	78	355
YE2-250M-4	93.5	0.86	354.9	2.2	2.5	7	0.818	79	453
YE2-280S-4	94	0.87	482.3	2.3	2.6	6.7	1.571	80	596
YE2-280M-4	94.3	0.88	578.8	2.2	2.6	6.9	1.964	80	693
YE2-315S-4	94.5	0.89	707.4	2.1	2.6	6.9	3.247	88	1012
YE2-315M-4	94.7	0.89	848.9	2.1	2.6	6.9	3.527	88	1147
YE2-315L1-4	94.9	0.9	1029	2.1	2.5	6.9	4.087	88	1224
YE2-315L-4	94.9	0.9	1189	2.1	2.2	6.9	4.927	88	1295
YE2-315L2-4	95.1	0.9	1286.2	2.1	2.6	6.9	5.374	88	1331
YE2-355M1-4	95.1	0.9	1410.1	2	2.2	6.9	7.636	95	1620
YE2-355M2-4	95.1	0.89	1602.3	2	2.2	6.9	8.404	95	1650
YE2-355L1-4	95.1	0.89	1794.6	2	2.2	6.9	9.164	95	1752
YE2-355L2-4	95.1	0.89	2019	2	2.2	6.9	9.927	95	1804
YE2-3551-4	95.1	0.89	2275.3	1.7	2.2	6.5	11.157	102	2083
YE2-3552-4	95.1	0.89	2403.5	1.7	2.2	6.5	12.6	102	2160

Technical data

6 pole-1000 rpm synchronous speed 50Hz

Model	Rated output (KW)	Rated speed (rpm)	Rated current (1FL 380V A)	Rated current (1FL 400V A)	Rated current (1FL 415V A)	Rated current (1FL 525V A)
YE2-90S-6	0.75	935	2.1	2	1.9	1.5
YE2-90L-6	1.1	940	2.9	2.8	2.7	2.1
YE2-100L-6	1.5	945	3.9	3.7	3.6	2.8
YE2-112M-6	2.2	950	5.6	5.3	5.1	4
YE2-132S-6	3	960	7.6	7.2	6.9	5.5
YE2-132M1-6	4	960	9.7	9.2	8.9	7
YE2-132M2-6	5.5	960	12.8	12.1	11.7	9.3
YE2-160M-6	7.5	970	16.7	15.9	15.3	12.1
YE2-160L-6	11	970	23.8	22.6	21.8	17.2
YE2-180L-6	15	975	30.6	29	28	22.1
YE2-200L1-6	18.5	975	38.3	36.4	35.1	27.7
YE2-200L2-6	22	975	44.7	42.5	41	32.4
YE2-225M-6	30	985	60.6	57.5	55.4	43.8
YE2-250M-6	37	985	73.3	69.6	67.1	53.1
YE2-280S-6	45	985	86.8	82.4	79.5	62.8
YE2-280M-6	55	985	104.4	99.2	95.6	75.5
YE2-315S-6	75	990	144.6	137.4	132.4	104.7
YE2-315S-6	90	990	171	162.4	156.5	123.7
YE2-315L1-6	110	990	208.3	197.9	190.7	150.8
YE2-315L2-6	132	990	246.5	234.2	225.7	178.4
YE2-355M1-6	160	990	298.2	283.3	273	215.8
YE2-355M-6	185	990	344.8	327.5	315.7	249.6
YE2-355M2-6	200	990	367.6	349.3	336.7	266
YE2-355L1-6	220	990	409.1	388.7	374.6	296.1
YE2-355L2-6	250	990	464.9	441.7	425.7	336.5
YE2-3551-6	280	990	520.7	494.7	476.8	376.9
YE2-3552-6	315	990	585.8	556.5	536.4	424

Technical data

6 pole-1000 rpm synchronous speed 50Hz

Model	Efficiency (%)	Power factor (CosΦ)	Rated torque (N.m)	TST/TFL	TM/TFL	IST/IFL	Moment of inertia(Kgm ²)	Noise [dB(A)]	Weight (kg)
YE2-90S-6	76.1	0.71	7.7	2.2	2.4	5.6	0.005	57	24
YE2-90L-6	78.2	0.73	11.2	2.2	2.5	5.5	0.008	57	28
YE2-100L-6	79.8	0.73	15.2	2.1	2.4	5.6	0.013	61	34
YE2-112M-6	82	0.73	22.1	2.1	2.3	6	0.02	65	45
YE2-132S-6	83.5	0.72	29.8	2.2	2.4	6.4	0.038	69	60
YE2-132M1-6	84.7	0.74	39.8	2.1	2.4	6.5	0.05	69	69
YE2-132M2-6	86	0.76	54.7	2.1	2.3	6.4	0.066	69	82
YE2-160M-6	87.5	0.78	73.8	2.3	2.5	6.8	0.121	73	116
YE2-160L-6	88.9	0.79	108.3	2.1	2.5	6.7	0.161	73	143
YE2-180L-6	89.8	0.83	146.9	2.2	2.4	7.3	0.264	73	181
YE2-200L1-6	90.6	0.81	181.2	2.1	2.5	7	0.407	73	230
YE2-200L2-6	91.1	0.82	215.5	2.1	2.4	7	0.459	73	239
YE2-225M-6	91.8	0.82	290.9	2.3	2.3	6.6	0.648	74	301
YE2-250M-6	92.4	0.83	358.7	2.3	2.6	7	0.979	76	387
YE2-280S-6	92.7	0.85	436.3	2.1	2.5	6.8	1.79	78	501
YE2-280M-6	93.1	0.86	533.2	2.2	2.5	7.1	2.164	78	547
YE2-315S-6	93.8	0.84	723.5	2.1	2.5	6.5	4.279	83	976
YE2-315S-6	94.1	0.85	868.2	2	2.5	6.4	5.017	83	1007
YE2-315L1-6	94.4	0.85	1061.1	2.1	2.5	6.5	5.607	83	1097
YE2-315L2-6	94.6	0.86	1273.3	2.1	2.5	6.6	6.64	83	1168
YE2-355M1-6	94.8	0.86	1543.4	2	2	6.7	9.555	85	1554
YE2-355M-6	94.8	0.86	1784.6	2	2	6.8	10.511	85	1691
YE2-355M2-6	95	0.87	1929.3	2	2	6.8	11.944	85	1768
YE2-355L1-6	95	0.86	2122.2	2	2	6.8	12.899	85	1838
YE2-355L2-6	95	0.86	2411.6	2	2	6.8	13.377	85	1902
YE2-3551-6	95	0.86	2701	2	2	6.8	13.855	91	2011
YE2-3552-6	95	0.86	3038.6	2	2	6.8	14.333	91	2090

High Efficiency Three-Phase Asynchronous Motor



Technical data

2 pole-3000 rpm synchronous speed 50Hz

Model	Power (KW)	Speed (r/min)	Current (A)	Stall current(A)	Efficiency (%)	Power factor (CosΦ)	Rated torque (N.m)	TST/TFL	TM/TFL	Moment of inertia(Kgm ²)	Noise [dB(A)]	Weight (kg)
Step rate 3000r/min (2P)												
YX3-80M1-2	0.75	2850	1.77	6.8	77.5	0.83	2.4	2.2	2.3	0.001	67 69	29
YX3-80M2-2	1.1	2852	2.43	7.3	82.8	0.83	3.5	2.2	2.3	0.0014	67 69	30
YX3-90S-2	1.5	2866	3.23	7.6	84.1	0.84	4.8	2.2	2.3	0.002	67 69	41.5
YX3-90L-2	2.2	2868	4.59	7.8	85.6	0.85	7	2.2	2.3	0.0026	67 69	44.3
YX3-100L-2	3	2892	6.04	8.1	86.7	0.87	9.6	2.2	2.3	0.0036	71 73	51.3
YX3-112M-2	4	2914	7.88	8.3	87.6	0.88	12.7	2.2	2.3	0.0068	72 74	59
YX3-132S1-2	5.5	2922	10.7	8	88.6	0.88	17.5	2.2	2.3	0.012	74 76	95
YX3-132S2-2	7.5	2925	14.5	7.8	89.5	0.88	23.9	2.2	2.3	0.0139	74 76	96
YX3-160M1-2	11	2944	21	7.9	90.5	0.88	35	2.2	2.3	0.0461	76 78	131
YX3-160M2-2	15	2944	28	8	91.3	0.89	47.8	2.2	2.3	0.0567	76 78	140
YX3-160L-2	18.5	2945	34.4	8.1	91.8	0.89	58.9	2.2	2.3	0.0673	76 78	155
YX3-180M-2	22	2964	40.7	8.2	92.2	0.89	70	2	2.3	0.0956	77 79	224
YX3-200L1-2	30	2969	55.1	7.5	92.9	0.89	95.5	2	2.3	0.1486	79 81	290
YX3-200L2-2	37	2969	67.7	7.5	93.3	0.89	117.8	2	2.3	0.1741	79 81	300
YX3-225M-2	45	2974	82	7.6	93.7	0.89	143.3	2	2.3	0.2704	81 83	365
YX3-250M-2	55	2974	99.9	7.6	94	0.89	175.1	2.1	2.3	0.3738	81 83	477
YX3-280S-2	75	2977	135.3	7.5	94.6	0.89	238.8	2	2.3	0.5885	81 83	505
YX3-280M-2	90	2978	161.7	7.5	95	0.89	286.5	2	2.3	0.6915	81 83	545
YX3-315S-2	110	2978	195.5	7.1	95	0.9	350.2	1.8	2.2	1.3539	82.5 84.5	1001
YX3-315M-2	132	2978	233.6	7.1	95.4	0.9	420.2	1.8	2.2	1.4949	82.5 84.5	1094
YX3-315L1-2	160	2978	280	7.1	95.4	0.91	509.3	1.8	2.2	1.6923	82.5 84.5	1141
YX3-315L2-2	200	2978	350	7.1	95.4	0.91	636.7	1.8	2.2	1.9180	82.5 84.5	1219
YX3-355S1-2	185	2986	323.8	7.1	95.4	0.91	588.9	1.8	2.2	2.3164	87 89	1524
YX3-355S2-2	200	2986	350	7.1	95.4	0.91	636.7	1.8	2.2	2.6305	87 89	1619
YX3-355M1-2	220	2986	384.6	7.1	95.5	0.91	700.3	1.6	2.2	2.6305	87 89	1619
YX3-355M2-2	250	2986	437	7.1	95.8	0.91	795.8	1.6	2.2	3.1409	87 89	1717
YX3-355L1-2	280	2986	488	7.1	95.8	0.91	891.3	1.6	2.2	3.1409	87 89	1812
YX3-355L2-2	315	2986	549	7.1	95.8	0.91	1003	1.6	2.2	3.7691	87 89	1980

Technical data

4 pole-1500 rpm synchronous speed 50Hz

Model	Power (KW)	Speed (r/min)	Current (A)	Stall current(A)	Efficiency (%)	Power factor (CosΦ)	Rated torque (N.m)	TST/TFL	TM/TFL	Moment of inertia(Kgm ²)	Noise [dB(A)]	Weight (kg)
Step rate 1500r/min(4P)												
YX3-80M1-4	0.55	1430	1.48	6.3	80.7	0.7	3.5	2.3	2.3	0.0020	58 63	29
YX3-80M2-4	0.75	1430	1.98	6.5	82.3	0.7	4.8	2.3	2.3	0.0025	58 63	30
YX3-90S-4	1.1	1430	2.85	6.6	83.8	0.7	7	2.3	2.3	0.0031	55 60	41.3
YX3-90L4	1.5	1430	3.83	6.9	85	0.7	9.6	2.3	2.3	0.0041	55 60	44.4
YX3-100L1-4	2.2	1452	5.16	7.5	86.4	0.75	14	2.3	2.3	0.0099	59 64	50.1
YX3-100L2-4	3	1452	6.44	7.6	87.4	0.81	19.1	2.3	2.3	0.013	59 64	53.8
YX3-112M-4	4	1452	8.39	7.7	88.3	0.82	25.5	2.3	2.3	0.015	61 66	66
YX3-132S-4	5.5	1452	11.4	7.5	89.2	0.82	35	2	2.3	0.0327	64 69	94
YX3-132M-4	7.5	1452	15.2	7.4	90.1	0.83	47.8	2	2.3	0.0412	64 69	104
YX3-160M-4	11	1473	22.1	7.5	91	0.83	70	2.2	2.3	0.0917	66 71	138
YX3-160L-4	15	1473	29.9	7.5	91.8	0.83	95.5	2.2	2.3	0.1153	66 71	150
YX3-180M-4	18.5	1473	36.7	7.7	92.2	0.83	117.8	2.2	2.3	0.1555	69 73	222
YX3-180L-4	22	1473	43.5	7.8	92.6	0.83	140.1	2.2	2.3	0.1814	69 73	233
YX3-200L-4	30	1473	56.9	7.2	93.2	0.86	191	2.2	2.3	0.3163	72 76	298
YX3-225S-4	37	1481	69.8	7.3	93.6	0.86	235.6	2.2	2.3	0.5361	73 76	350
YX3-225M-4	45	1481	84.7	7.4	93.9	0.86	286.5	2.2	2.3	0.6382	73 76	375
YX3-250M-4	55	1481	103.2	7.4	94.2	0.86	350.2	2.2	2.3	0.7089	74 77	494
YX3-280S-4	75	1488	138.3	7.2	94.7	0.87	477.5	2.2	2.3	0.5151	75 78	550
YX3-280M-4	90	1488	165.5	7.2	95	0.87	573	2.2	2.3	1.8868	75 78	615
YX3-315S-4	110	1491	199.1	7	95.4	0.88	700.3	2.1	2.2	3.1223	78.5 81.5	1018
YX3-315M-4	132	1491	238.9	7	95.4	0.88	840.4	2.1	2.2	3.4928	78.5 81.5	1192
YX3-315L1-4	160	1491	286.3	7	95.4	0.89	1019	2.1	2.2	3.9161	78.5 81.5	1192
YX3-315L2-4	200	1491	357.9	7	95.4	0.89	1273	2.1	2.2	5.3456	78.5 81.5	1281
YX3-355S1-4	185	1491	331.1	7	95.4	0.89	1178	2.1	2.2	4.9795	82 84	1582
YX3-355S2-4	200	1491	357.9	7	95.4	0.89	1273	2.1	2.2	5.3456	82 84	1582
YX3-355M1-4	220	1491	388.9	7	95.5	0.9	1401	2.1	2.2	6.0046	82 84	1705
YX3-355M2-4	250	1491	440.6	7	95.8	0.9	1591	2.1	2.2	6.5172	82 84	1764
YX3-355L1-4	280	1491	493.4	7	95.8	0.9	1782	2.1	2.2	7.3227	82 84	1947
YX3-355L2-4	315	1491	555.1	7	95.8	0.9	2005	2.1	2.2	8.2015	82 84	2084

Technical data

6 pole-1000 rpm synchronous speed 50Hz

Model	Power (KW)	Speed (r/min)	Current (A)	Stall current(A)	Efficiency (%)	Power factor (CosΦ)	Rated torque (N.m)	TST/TFL	TM/TFL	Moment of inertia(Kgm ²)	Noise [dB(A)]	Weight (kg)
Step rate 1000r/min(6P)												
YX3-80M1-6	0.37	926	1.27	4	63	0.7	3.5	1.9	2.1	0.0021	56	29
YX3-80M2-6	0.55	928	1.54	4	75.4	0.72	5.3	1.9	2.1	0.0035	56	30
YX3-90S-6	0.75	933	2.04	5.8	77.7	0.72	7.2	2.1	2.1	0.0043	52	40.4
YX3-90L-6	1.1	933	2.87	5.9	79.9	0.73	10.5	2.1	2.1	0.0056	52	43.6
YX3-100L-6	1.5	936	3.78	6	81.5	0.74	14.3	2.1	2.1	0.0094	56	49.2
YX3-112M-6	2.2	959	5.42	6	83.4	0.74	21	2.1	2.1	0.0155	59	60
YX3-132S-6	3	974	7.26	6.2	84.9	0.74	28.7	2	2.1	0.0324	62	69
YX3-132M1-6	4	974	9.54	6.8	86.1	0.74	38.2	2	2.1	0.0410	62	69
YX3-132M2-6	5.5	974	12.7	7.1	87.4	0.75	52.5	2	2.1	0.0529	62	69
YX3-160M-6	7.5	978	16.4	6.7	89	0.78	71.6	2.1	2.1	0.1009	65	72
YX3-160L-6	11	979	23.5	6.9	90	0.79	105.1	2.1	2.1	0.1346	65	72
YX3-180L-6	15	983	31.3	7.2	91	0.8	143.3	2	2.1	0.2390	66	72
YX3-200L1-6	18.5	985	38.4	7.2	91.5	0.8	176.7	2.1	2.1	0.3489	69	75
YX3-200L2-6	22	985	44.9	7.3	92	0.81	210.1	2.1	2.1	0.4087	69	75
YX3-225M-6	30	987	60.8	7.1	92.5	0.81	286.5	2	2.1	0.6525	69	75
YX3-225M-6	37	988	72	7.1	93	0.84	353.4	2.1	2.1	0.8949	71	76
YX3-280S-6	45	991	85	7.2	93.5	0.86	429.8	2.1	2	1.6695	72	78
YX3-280M-6	55	992	103.6	7.2	93.8	0.86	525.3	2.1	2	1.9875	72	78
YX3-315S-6	75	993	142.3	7	94.2	0.85	716.3	2	2	3.6566	73.5	78.5
YX3-315M-6	90	993	172.3	7	94.5	0.84	859.5	2	2	4.1488	73.5	78.5
YX3-315L1-6	110	994	207	7	95	0.85	1051	2	2	5.063	73.5	78.5
YX3-315L2-6	132	994	245.5	7	95	0.86	1261	2	2	5.6255	73.5	78.5
YX3-315S-6	160	994	294.1	7	95	0.87	1528	1.9	2	11.64	78	82
YX3-355M1-6	185	994	340.1	7	95	0.87	1767	1.9	2	12.513	78	82
YX3-355M2-6	200	995	367.7	7	95	0.87	1910	1.9	2	13.386	78	82
YX3-355L1-6	220	995	413.6	7	95	0.87	2149	1.9	2	15.132	78	82
YX3-355L2-6	250	995	459.6	7	95	0.87	2388	1.9	2	16.878	78	82

Technical data

8 pole-750 rpm synchronous speed 50Hz0Hz

Model	Power (KW)	Speed (r/min)	Current (A)	Stall current(A)	Efficiency (%)	Power factor (CosΦ)	Rated torque (N.m)	TST/TFL	TM/TFL	Moment of inertia(Kgm ²)	Noise [dB(A)]	Weight (kg)
Step rate 750r/min(8P)												
YX3-80M1-8	0.18	650	0.86	3.3	52	0.61	2.3	1.8	1.9	0.0027	52	29
YX3-80M2-8	0.25	650	1.13	3.3	55	0.61	3.2	1.8	1.9	0.0033	52	30
YX3-90S-8	0.37	670	1.44	4	63	0.62	4.7	1.8	2	0.0043	48	30
YX3-90L-8	0.55	670	2.07	4	64	0.63	7	1.8	2	0.0056	48	30
YX3-100L1-8	0.75	690	2.36	4	71	0.68	9.6	1.8	2	0.0068	51	30
YX3-100L2-8	1.1	690	3.32	4	73	0.69	14	1.8	2	0.0094	51	30
YX3-112M-8	1.5	690	4.4	4	75	0.69	19.1	1.8	2	0.014	53	30
YX3-132S-8	2.2	710	5.8	5.5	79	0.73	28	1.8	2.2	0.0307	56	30
YX3-132M-8	3	710	7.71	5.5	81	0.73	38.2	1.8	2.2	0.0410	56	30
YX3-160M1-8	4	720	10.3	6	81	0.73	50.9	1.9	2.2	0.0635	60	30
YX3-160M2-8	5.5	720	13.4	6	83	0.75	70	1.9	2.2	0.0897	60	30
YX3-160L-8	7.5	730	17.6	6	85	0.76	95.5	1.9	2.2	0.1271	60	30
YX3-180L-8	11	730	25.3	6	87	0.76	140.1	1.9	2.2	0.2076	62	30
YX3-200L-8	15	730	33.7	6.5	89	0.76	191	2	2.2	0.3589	65	30
YX3-225S-8	18.5	740	40	6.5	90	0.78	235.6	2	2.2	0.5212	65	30
YX3-225M-8	22	740	47.4	6.5	90.5	0.78	280.1	2	2.2	0.5863	65	30
YX3-250M-8	30	740	63.4	6.5	91	0.79	382	1.9	2	0.9420	67	30
YX3-280M-8	37	740	77.8	6	91.5	0.79	471.1	1.8	2	1.5105	66	30
YX3-280M-8	45	740	94.1	6	92	0.79	573	1.8	2	1.8683	66	30
YX3-315S-8	55	740	111.2	6.5	92.8	0.81	700.3	1.8	2	3.7947	69.5	30
YX3-315M-8	75	740	150.5	6.5	93.5	0.81	955	1.8	2	5.1972	69.5	30
YX3-315L1-8	90	740	177.8	6.5	93.8	0.82	1146.4	1.8	2	6.2696	69.5	30
YX3-315L-8	110	740	216.8	6.5	94	0.82	1400	1.8	2	7.342	69.5	30
YX3-355S-8	132	740	259.6	6.5	94.2	0.82	1680	1.8	2	11.661	77	30
YX3-355M-8	160	742	314.7	6.5	94.2	0.82	2037	1.8	2	13.993	77	30
YX3-355L1-8	185	742	363.9	6.5	94.2	0.82	2356	1.8	2	14.576	77	30
YX3-355L2-8	200	742	387.4	6.5	94.5	0.83	2547	1.8	2	17.2	77	30

Technical data

10 pole-600 rpm synchronous speed 50Hz

Model	Power (KW)	Speed (r/min)	Current (A)	Stall current(A)	Efficiency (%)	Power factor (CosΦ)	Rated torque (N.m)	TST/TFL	TM/TFL	Moment of inertia(Kgm ²)	Noise [dB(A)]	Weight (kg)
Step rate 600r/min(10P)												
YX3-315S-10	45	590	99.6	6	91.5	0.75	716.3	1.5	2	3.7947	69.5 76.5	899
YX3-315M-10	55	590	121.1	6	92	0.75	875.4	1.5	2	4.6197	69.5 76.5	1011
YX3-315L1-10	75	590	162.1	6	92.5	0.76	1194	1.5	2	6.2696	69.5 76.5	1151
YX3-315L2-10	90	590	191	6	93	0.77	1433	1.5	2	7.3420	69.5 76.5	1336
YX3-355S-10 (90)	593	191	6	93	0.77	1433	1.5	2	10.806	69.5 76.5	1526	
YX3-355M1-10	110	593	229.9	5.5	93.2	0.78	1751	1.3	2	11.098	77 83	1470
YX3-355M2-10	132	593	275	5.5	93.5	0.78	2101	1.3	2	12.266	77 83	1668
YX3-355L-10	160	593	333.3	5.5	93.5	0.78	2547	1.3	2	16.063	77 83	1964
YX3-355L-10 (185)	593	385.4	5.5	93.5	0.78	2945	1.3	2	17.231	77 83	2074	

Technical data

12 pole-500 rpm synchronous speed 50Hz

Model	Power (KW)	Speed (r/min)	Current (A)	Stall current(A)	Efficiency (%)	Power factor (CosΦ)	Rated torque (N.m)	TST/TFL	TM/TFL	Moment of inertia(Kgm ²)	Noise [dB(A)]	Weight (kg)
Step rate 500r/min(12P)												
YX3-355S1-12	75	493	166.1	5.5	91.5	0.75	1433	1.3	2	11.682	83 90	1512
YX3-355S2-12	90	493	198.2	5.5	92	0.75	1719	1.3	2	16.386	83 90	1580
YX3-355M-12	110	493	240.9	5.5	92.5	0.75	2101	1.3	2	18.206	83 90	1735

Technical data

14 pole-428 rpm synchronous speed 50Hz

Model	Power (KW)	Speed (r/min)	Current (A)	Stall current(A)	Efficiency (%)	Power factor (CosΦ)	Rated torque (N.m)	TST/TFL	TM/TFL	Moment of inertia(Kgm ²)	Noise [dB(A)]	Weight (kg)
Step rate 428r/min(14P)												
YX3-355S1-14	55	422	131.2	5.5	91	0.7	1226	1.3	2	13.837	83 90	1484
YX3-355S2-14	75	422	178.9	5.5	91	0.7	1671	1.3	2	14.565	83 90	1522
YX3-355M1-14	90	422	204.7	5.5	91.5	0.73	2001	1.3	2	16.386	83 90	1600
YX3-355M2-14	110	422	243.5	5.5	91.5	0.75	2451	1.3	2	18.935	83 90	1767

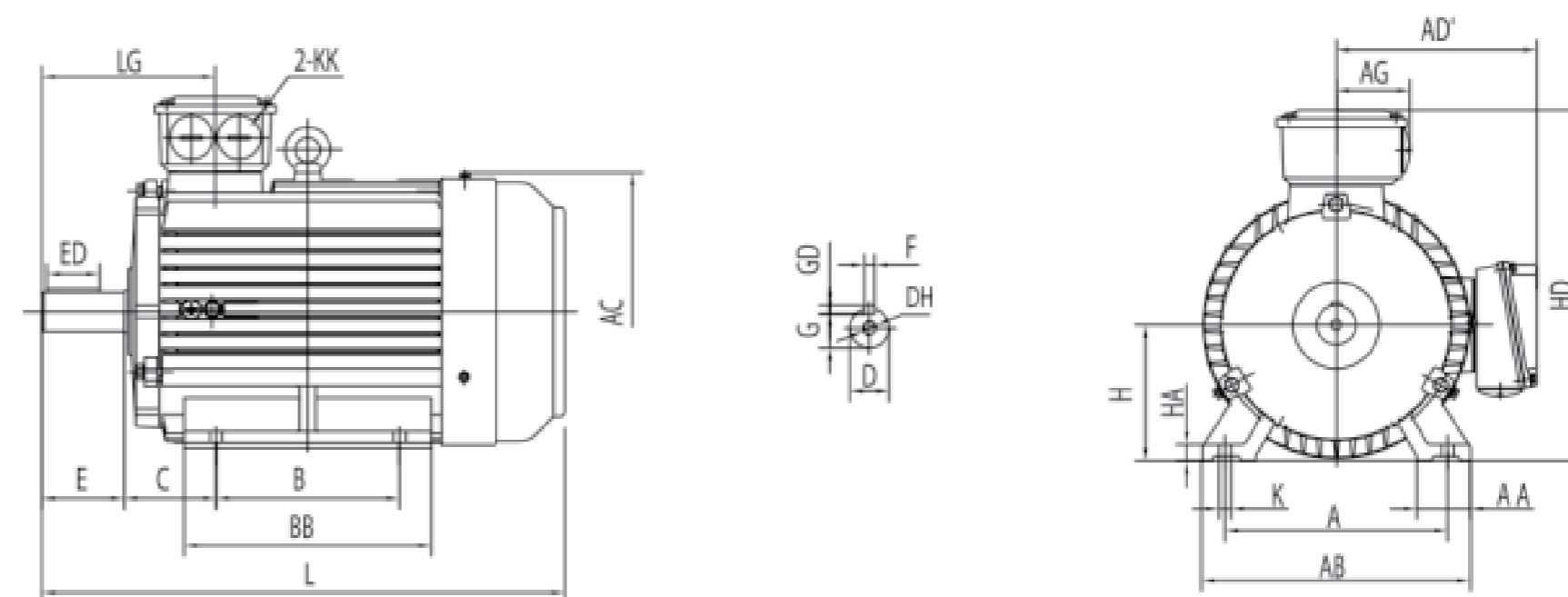
Technical data

16 pole-375 rpm synchronous speed 50Hz0Hz

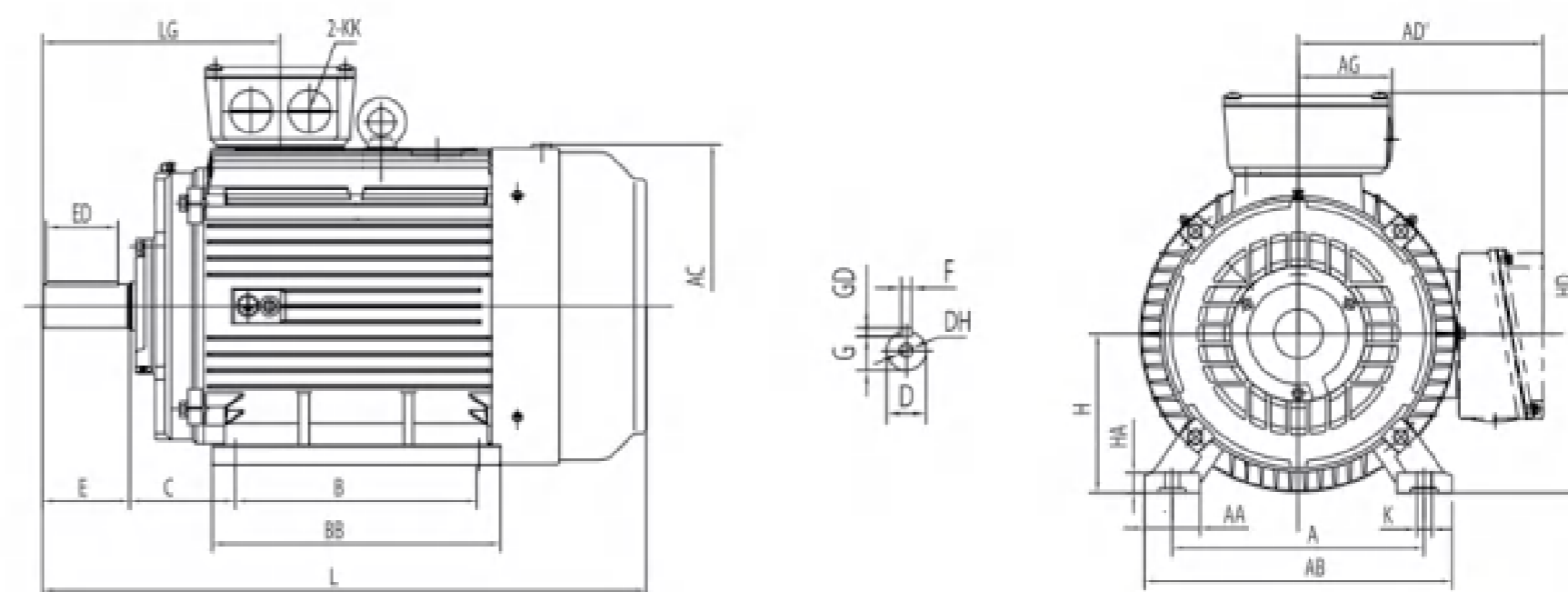
Model	Power (KW)	Speed (r/min)	Current (A)	Stall current(A)	Efficiency (%)	Power factor (CosΦ)	Rated torque (N.m)	TST/TFL	TM/TFL	Moment of inertia(Kgm ²)	Noise [dB(A)]	Weight (kg)
Step rate 375r/min(16P)												
YX3-355S1-16	55	370	140.7	5.5	90	0.66	1401	1.2	2	15.293	83 90	1519
YX3-355S2-16	75	370	191.8	5.5	90	0.66	1910	1.2	2	17.478	83 90	1612
YX3-355M-16	90	370	228.9	5.5	90.5	0.66	2292	1.2	2	20.027	83 90	1771

Dimensions foot mount B3

YE2-80-132

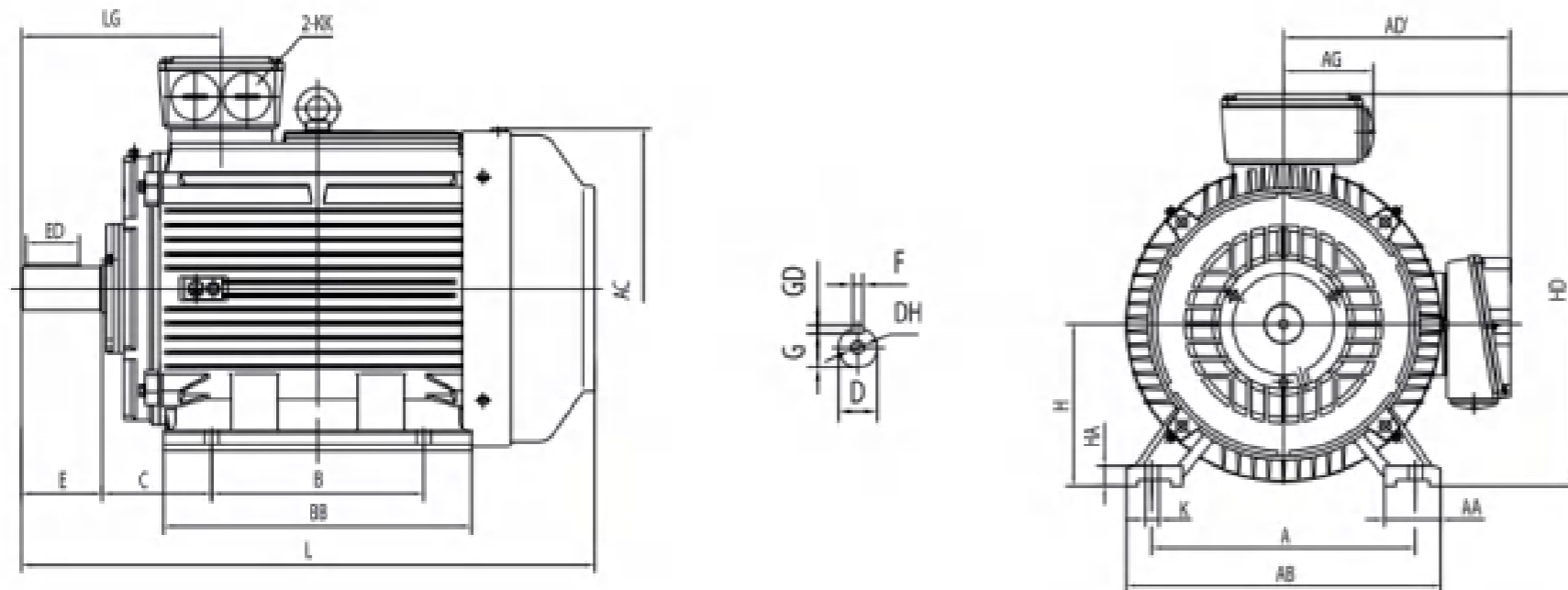


YE2-160-200

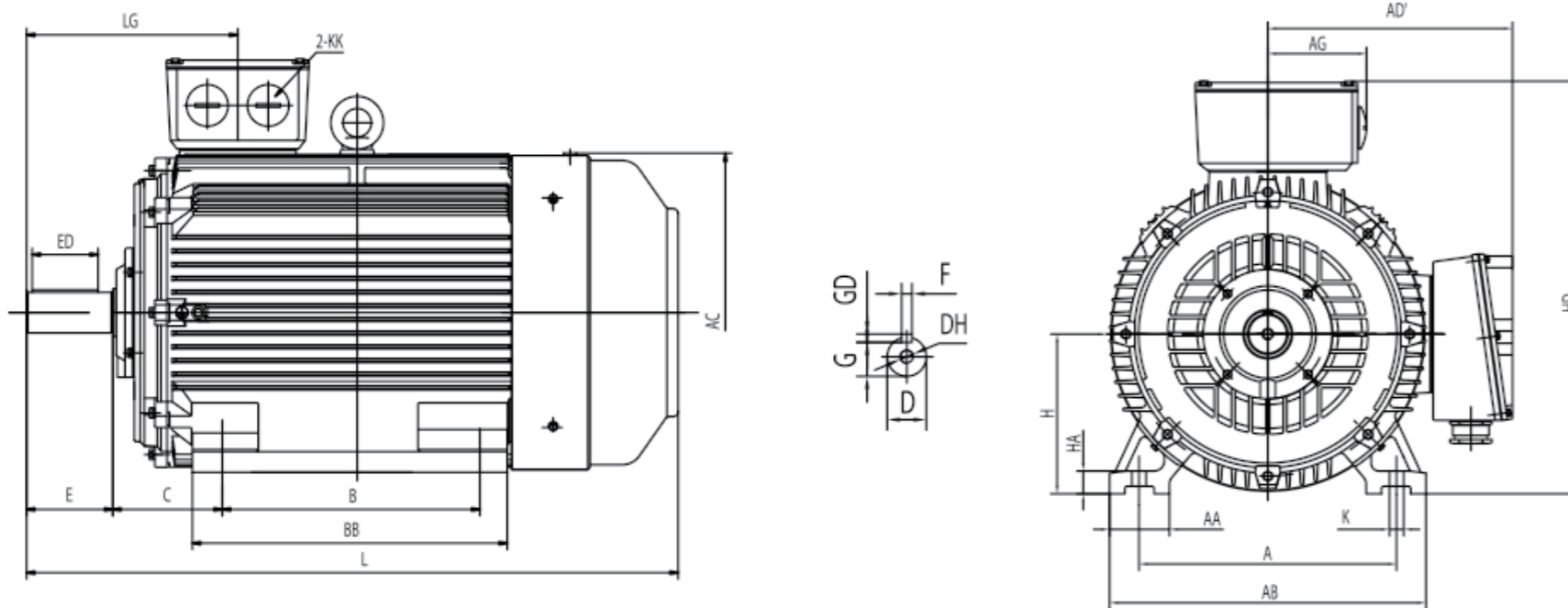


Dimensions foot mount B3

YE2-225-280



YE2-315-355

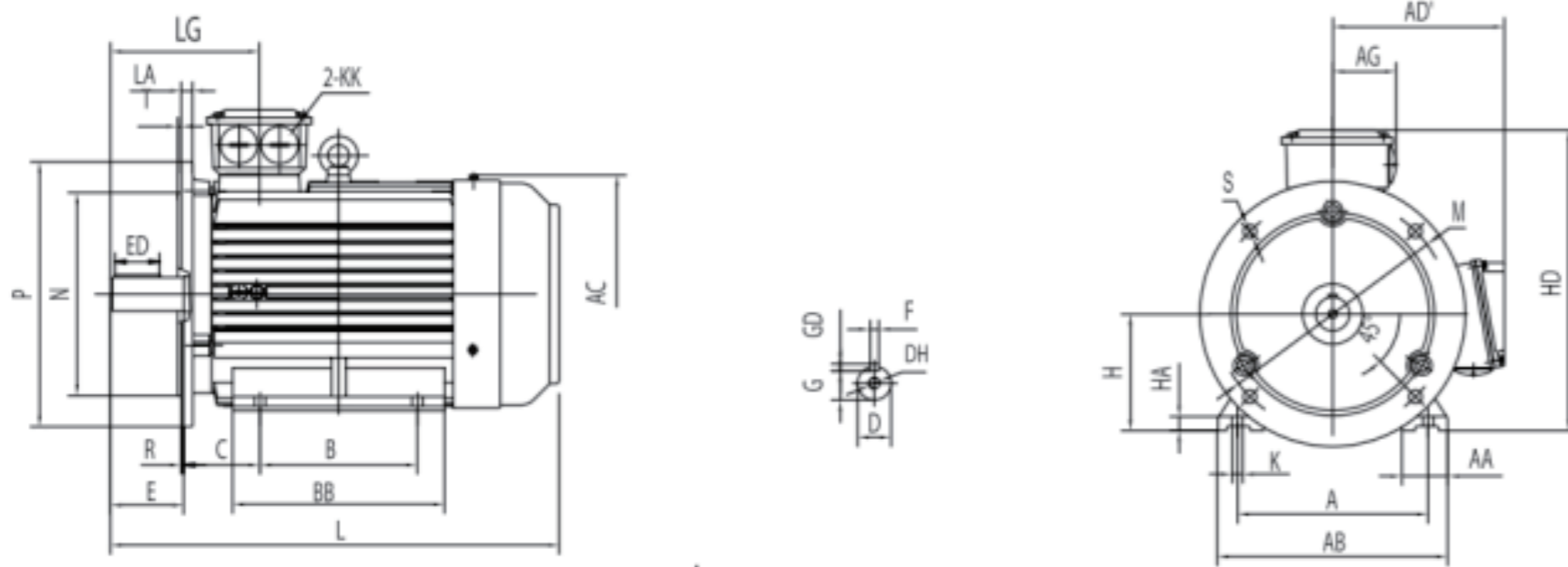


Dimensions foot mount B3

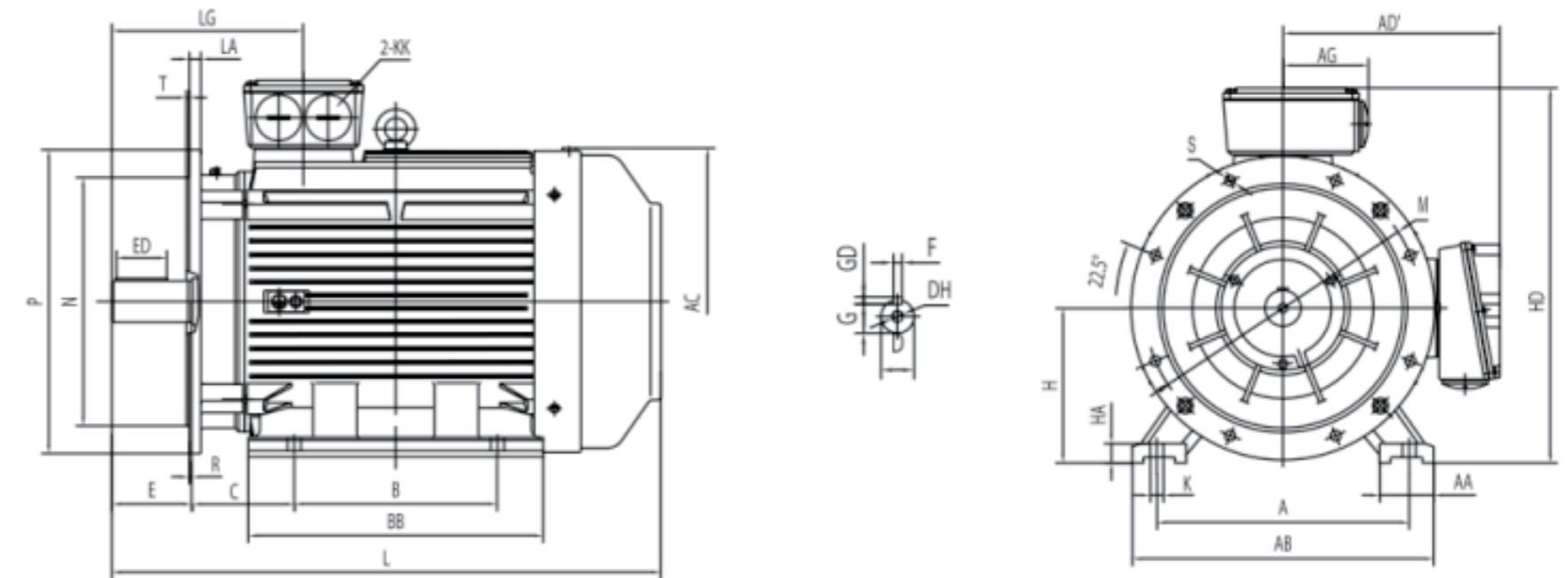
Model	A	AA	AB	AC	AD	B	BB	C	D	E	ED	F	G	GD	H	HA	HD	K	KK	L	LG
80	125	34	165	175	140	100	142	50	19	40	22	6	15.5	6	80	10	220	10	M24X1.5	301	112
90S	140	36	180	195	150	100	180	56	24	50	32	8	20	7	90	12.5	260	10	M24X1.5	360	126
90L	140	36	180	195	150	125	210	56	24	50	32	8	20	7	90	12.5	260	10	M24X1.5	360	126
100L	160	40	205	215	160	140	233	63	28	60	40	8	24	7	100	14	275	12	M24X1.5	435	153
112M	190	45	230	240	185	140	252	70	28	60	40	8	24	7	112	14	310	12	M30X2	480	144
132S	216	52	270	275	205	140	220	89	38	80	56	10	33	8	132	16	345	12	M30X2	510	167
132M	216	52	270	275	205	178	258	89	38	80	56	10	33	8	132	16	345	12	M30X2	550	167
160M	254	65	320	330	250	210	305	108	42	110	80	12	37	8	160	19	425	14.5	M36X2	667	270
160L	254	65	320	330	250	254	325	108	42	110	80	12	37	8	160	19	425	14.5	M36X2	689	270
180M	279	74	350	380	270	241	330	121	48	110	80	14	42.5	9	180	22	460	14.5	M36X2	732	277
180L	279	74	350	380	270	279	370	121	48	110	80	14	42.5	9	180	22	460	14.5	M36X2	780	277
200L	318	85	395	420	325	305	370	133	55	110	90	16	49	10	200	25	475	18.5	M48X2	779	298
225S (4-6P)	356	80	436	465	335	286	355	149	60	140	100	18	53	11	225	28	560	18.5	M48X2	836	340
225M (2P)	356	80	436	465	335	311	380	149	55	110	80	16	49	10	225	28	560	18.5	M48X2	831	310
225 M (4-6P)	356	80	436	465	335	311	380	149	60	140	100	18	53	11	225	28	560	18.5	M48X2	866	340
250M (2P)	406	88	495	520	370	349	440	168	60	140	100	18	53	11	250	33	620	24	M64X2	936	360
250M (4-6P)	406	88	495	520	370	349	440	168	65	140	100	18	58	11	250	33	620	24	M64X2	942	360
280S (2P)	457	90	550	570	395	368	495	190	65	140	100	18	58	11	280	35	685	24	M64X2	970	350
280S (4-6P)	457	90	550	570	395	368	495	190	75	140	100	20	67.5	12	280	35	685	24	M64X2	975	350
280M (2P)	457	90	550	570	395	419	535	190	65	140	100	18	58	11	280	35	685	24	M64X2	1020	350
280M (4-6P)	457	90	550	570	395	419	535	190	65	140	100	20	67.5	12	280	35	685	24	M64X2	1015	350
315S (2P)	508	120	635	650	495	406	565	216	65	140	100	18	58	11	315	45	820	28	M64X2	1160	387
315M (2P)	508	120	635	650	495	457	675	216	65	140	100	18	58	11	315	45	820	28	M64X2	1270	387
315L (2P)	508	120	635	650	495	508	675	216	65	140	100	18	58	11	315	45	820	28	M64X2	1270	387
315S (4-6P)	508	120	635	650	495	406	515	216	80	170	130	22	71	14	315	45	820	28	M64X2	1207	417
315M (4-6P)	508	120	635	650	495	457	625	216	80	170	130	22	71	14	315	45	820	28	M64X2	1317	417
315L (4-6P)	508	120	635	650	495	508	625	216	80	170	130	22	71	14	315	45	820	28	M64X2	1317	417
315L (4-6P)	508	120	635	650	495	508	625	216	80	170	130	22	71	14	315	45	820	28	M64X2	1317	417
355M (2P)	610	125	735	735	650	560	775	254	75	140	110	20	67.5	12	355	49	1000	28	M72X2	1500	420
355L (2P)	610	125	735	735	650	630	775	254	75	140	110	20	67.5	12	355	49	1000	28	M72X2	1500	420
355M (4-6P)	610	125	735	735	650	560	775	254	95	170	140	25	86	14	355	49	1000	28	M72X2	1530	450
355L (4-6P)	610	125	735	735	650	630	875	254	95	170	140	25	86	14	355	49	1000	28	M72X2	1630	450

Dimensions foot-flange mount B35

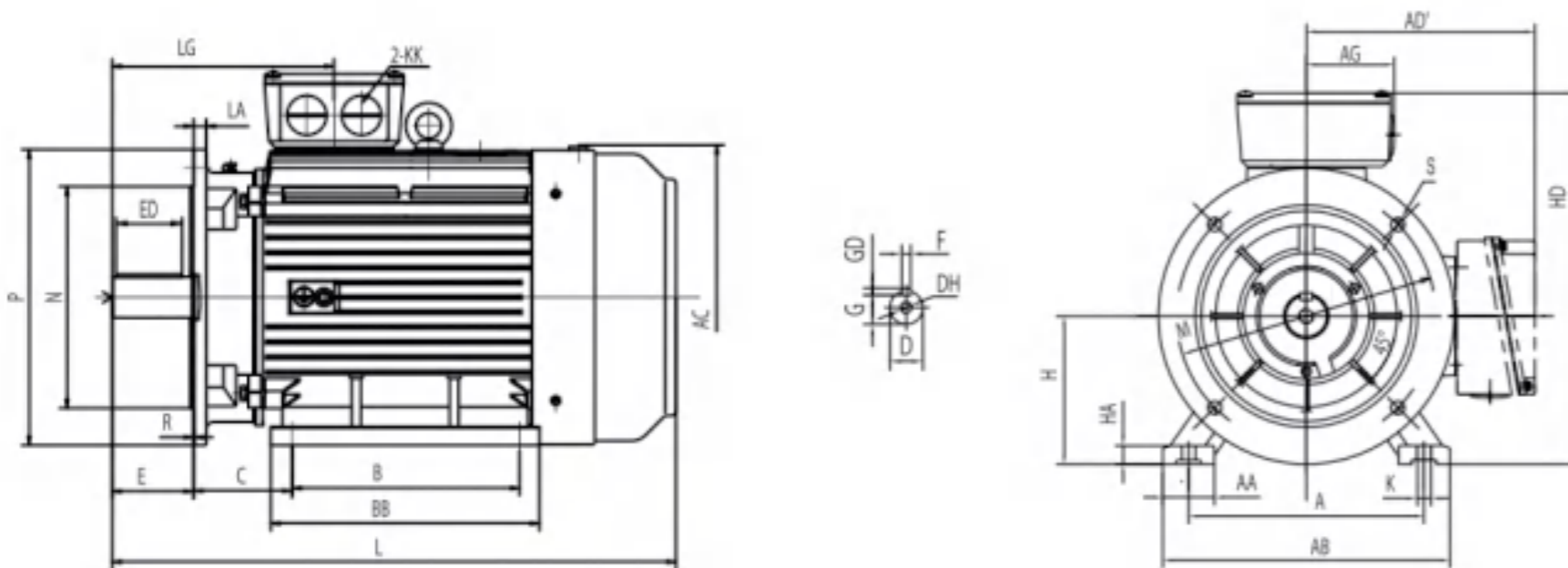
YE2-80-132



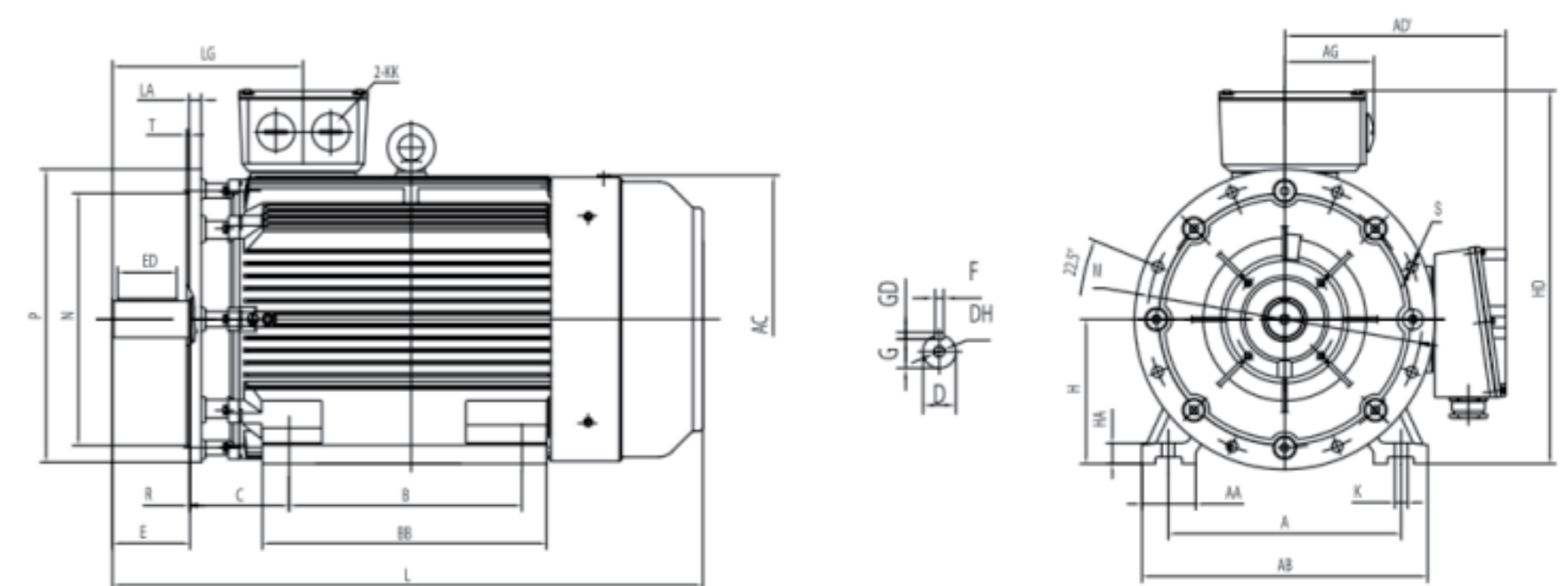
YE2-225-280



YE2-160-200



YE2-315-355



Dimensions foot-flange mount B35

Model	A	AA	AB	AC	AD	B	BB	C	D	E	ED	F	G
80	125	34	160	175	140	100	130	50	19	40	22	6	15.5
90S	140	36	180	190	150	100	160	56	24	50	32	8	20
90L	140	36	180	190	150	125	160	56	24	50	32	8	20
100L	160	40	200	215	160	140	182	63	28	60	40	8	24
112M	190	45	230	236	185	140	195	70	28	60	40	8	24
132S	216	52	265	275	205	140	205	89	38	80	56	10	33
132M	216	52	265	275	205	178	245	89	38	80	56	10	33
160M	254	67	320	330	250	210	305	108	42	110	80	12	37
160L	254	67	320	330	250	254	325	108	42	110	80	12	37
180M	279	74	350	380	270	241	330	121	48	110	80	14	42.5
180L	279	74	350	380	270	279	370	121	48	110	80	14	42.5
200L	318	85	395	420	325	305	370	133	55	110	90	16	49
225S(4-6P)	356	80	436	465	335	286	355	149	60	140	100	18	53
225M(2P)	356	80	436	465	335	311	380	149	55	110	80	16	49
225M(4-6P)	356	80	436	465	335	311	380	149	60	140	100	18	53
250M(2P)	406	88	495	520	370	349	440	168	60	140	100	18	53
250M(4-6P)	406	88	495	520	370	349	440	168	65	140	100	18	58
280S(2P)	457	90	550	570	395	368	495	190	65	140	100	18	58
280S(4-6P)	457	90	550	570	395	368	495	190	75	140	100	20	67.5
280M(2P)	457	90	550	570	395	419	535	190	65	140	100	18	58
280M(4-6P)	457	90	550	570	395	419	535	190	75	140	100	20	67.5
315S(2P)	508	120	635	650	495	406	515	216	65	140	100	18	58
315SM(2P)	508	120	635	650	495	457	625	216	65	140	100	18	58
315L(2P)	508	120	635	650	495	508	625	216	65	140	100	18	58
315S(4-6P)	508	120	635	650	495	406	515	216	80	170	130	22	71
315M(4-6P)	508	120	635	650	495	457	625	216	80	170	130	22	71
315L(4-6P)	508	120	635	650	495	508	625	216	80	170	130	22	71
355M(2P)	610	125	735	735	650	560	775	254	75	140	110	20	67.5
355L(2P)	610	125	735	735	650	630	775	254	75	140	110	20	67.5
355M(4-6P)	610	125	735	735	650	560	775	254	95	170	140	25	86
355L(4-6P)	610	125	735	735	650	630	875	254	95	170	140	25	86

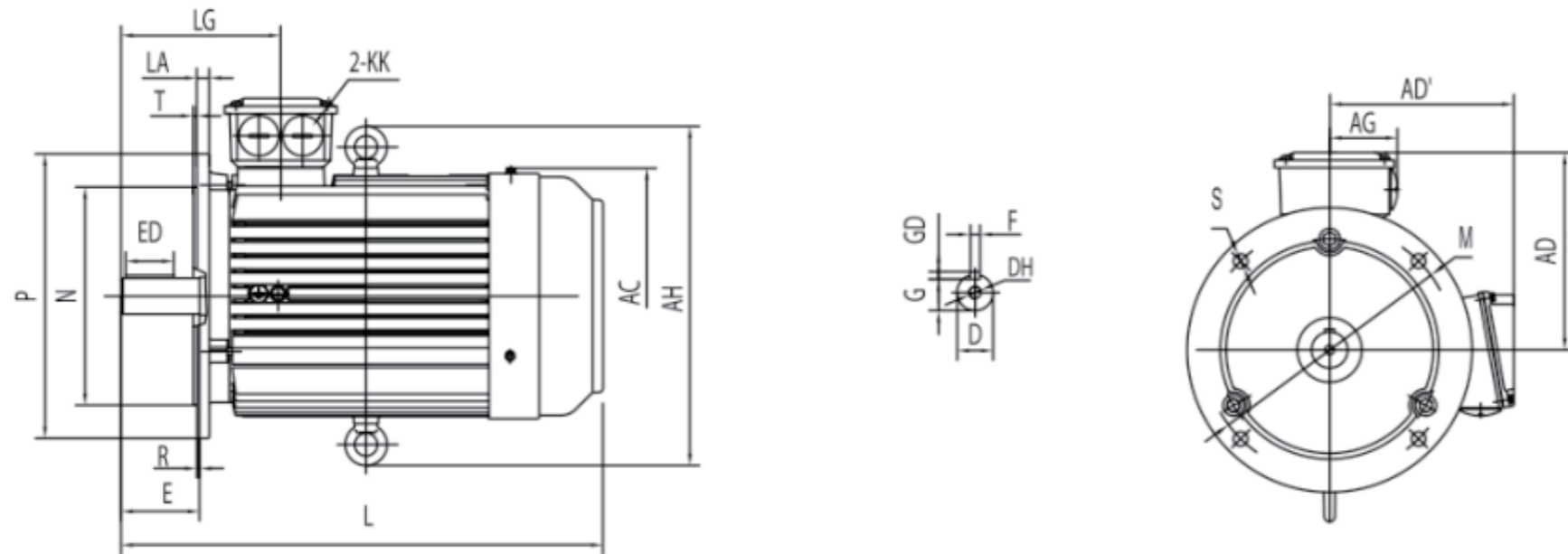
Dimensions foot-flange mount B35

Model	GD	H	HA	HD	K	L	LA	LG	M	N	P	S	T	KK
80	6	80	10	220	10	301	14	112	165	130	200	12	3.5	M24X1.5
90S	7	90	12.5	260	10	360	12	126	165	130	200	12	3.5	M24X1.5
90L	7	90	12.5	260	10	390	12	126	165	130	200	12	3.5	M24X1.5
100L	7	100	14	270	12	435	14	153	215	180	250	14.5	4	M24X1.5
112M	7	112	14	300	12	480	12	144	215	180	250	14.5	4	M30X2
132S	8	132	16	345	12	510	13	167	265	230	300	14.5	4	M30X2
132M	8	132	16	345	12	550	13	167	265	230	300	14.5	4	M30X2
160M	8	160	19	420	14.5	667	15	267.5	300	250	350	18.5	5	M36X2
160L	8	160	19	420	14.5	689	15	267.5	300	250	350	18.5	5	M36X2
180M	9	180	22	430	14.5	732	15	277	300	250	350	18.5	5	M36X2
180L	9	180	22	430	14.5	780	15	277	300	250	350	18.5	5	M36X2
200L	10	200	25	475	18.5	779	17	300	350	300	400	18.5	5	M48X2
225S(4-6P)	11	225	28	560	18.5	836	19	340	400	350	450	18.5	5	M48X2
225M(2P)	10	225	28	560	18.5	831	19	310	400	350	450	18.5	5	M48X2
225M(4-6P)	11	225	28	560	18.5	866	19	340	400	350	450	18.5	5	M48X2
250M(2P)	11	250	33	620	24	936	20	360	500	450	550	18.5	5	M64X2
250M(4-6P)	11	250	33	620	24	942	20	360	500	450	550	18.5	5	M64X2
280S(2P)	11	280	35	685	24	970	22	350	500	450	550	18.5	5	M64X2
280S(4-6P)	12	280	35	685	24	975	22	350	500	450	550	18.5	5	M64X2
280M(2P)	11	280	35	685	24	1020	22	350	500	450	550	18.5	5	M64X2
280M(4-6P)	12	180	35	685	24	1015	22	350	500	450	550	18.5	5	M64X2
315S(2P)	11	315	45	820	28	1160	24	387	600	550	660	24	6	M64X2
315SM(2P)	11	315	45	820	28	1270	24	387	600	550	660	24	6	M64X2
315L(2P)	11	315	45	820	28	1270	24	387	600	550	660	24	6	M64X2
315S(4-6P)	14	315	45	820	28	1207	24	417	600	550	660	24	6	M64X2
315M(4-6P)	14	315	45	820	28	1317	24	417	600	550	660	24	6	M64X2
315L(4-6P)	14	315	45	820	28	1317	24	417	600	550	660	24	6	M64X2
355M(2P)	12	355	49	1000	28	1500	25	420	740	680	800	24	6	M72X2
355L(2P)	12	355	49	1000	28	1500	25	420	740	680	800	24	6	M72X2
355M(4-6P)	14	355	49	1000	28	1530	25	450	740	680	800	24	6	M72X2
355L(4-6P)	14	355	49	1000	28	1630	25	450	740	680	800	24	6	M72X2

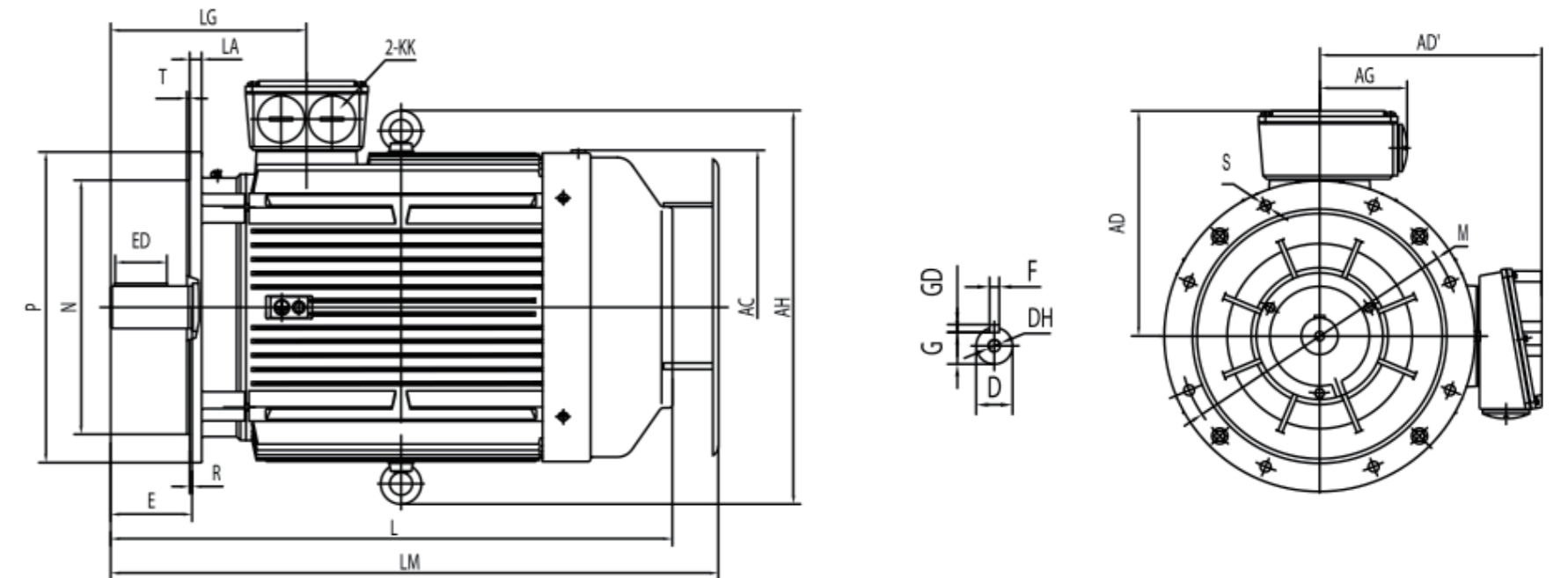
The 'R' dimensions is zero

Dimensions flange mount B5 and V1

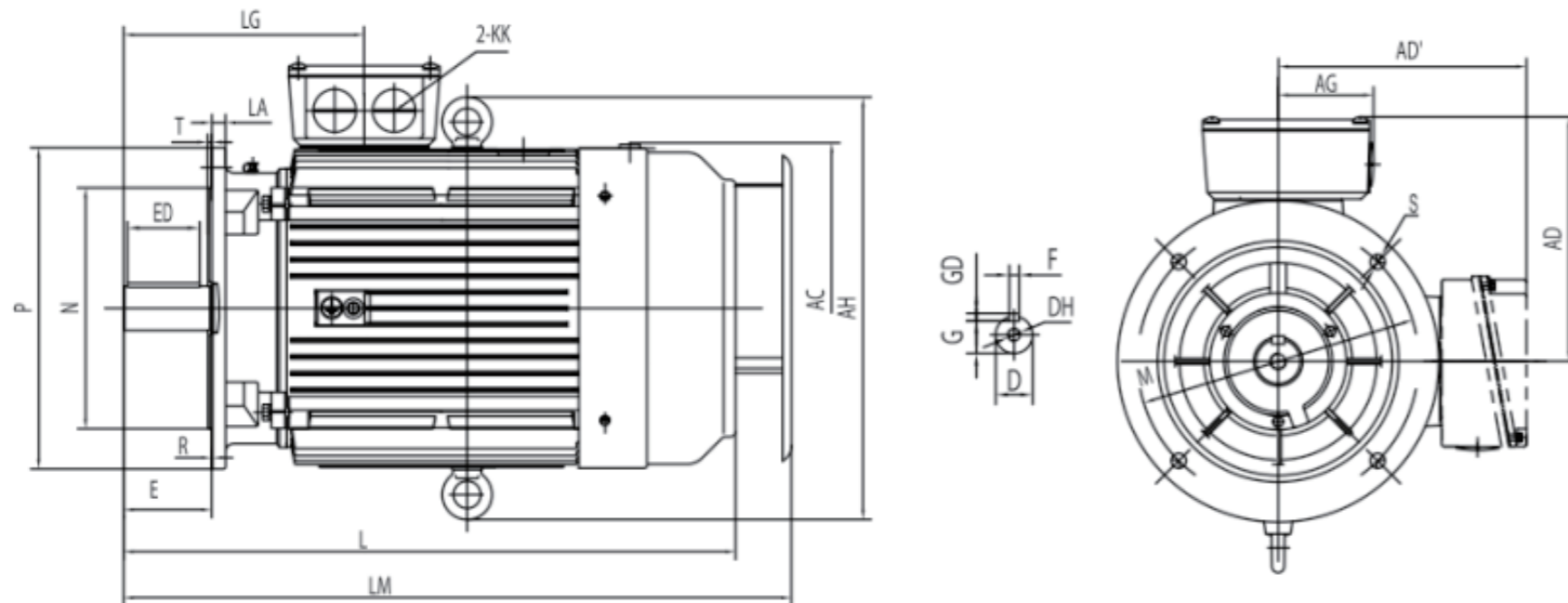
YE2-80-132



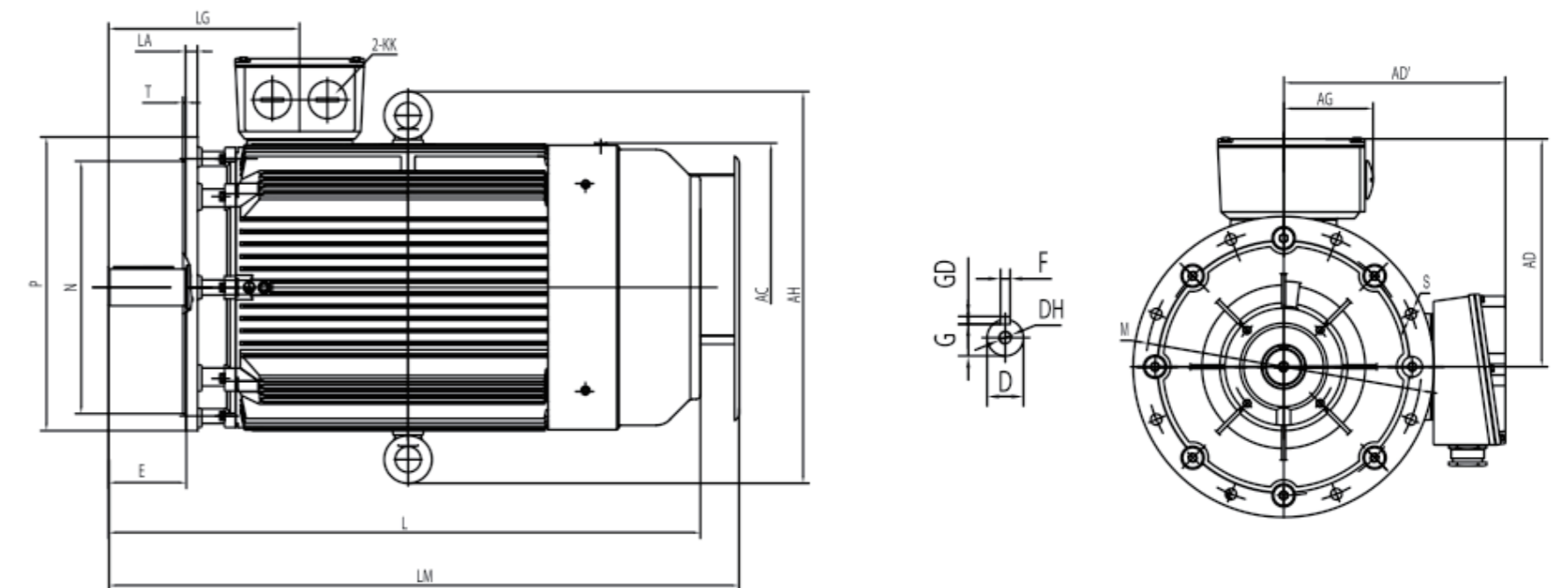
YE2-225-280



YE2-160-200



YE2-315-355V1



Dimensions flange mount B5、 V1

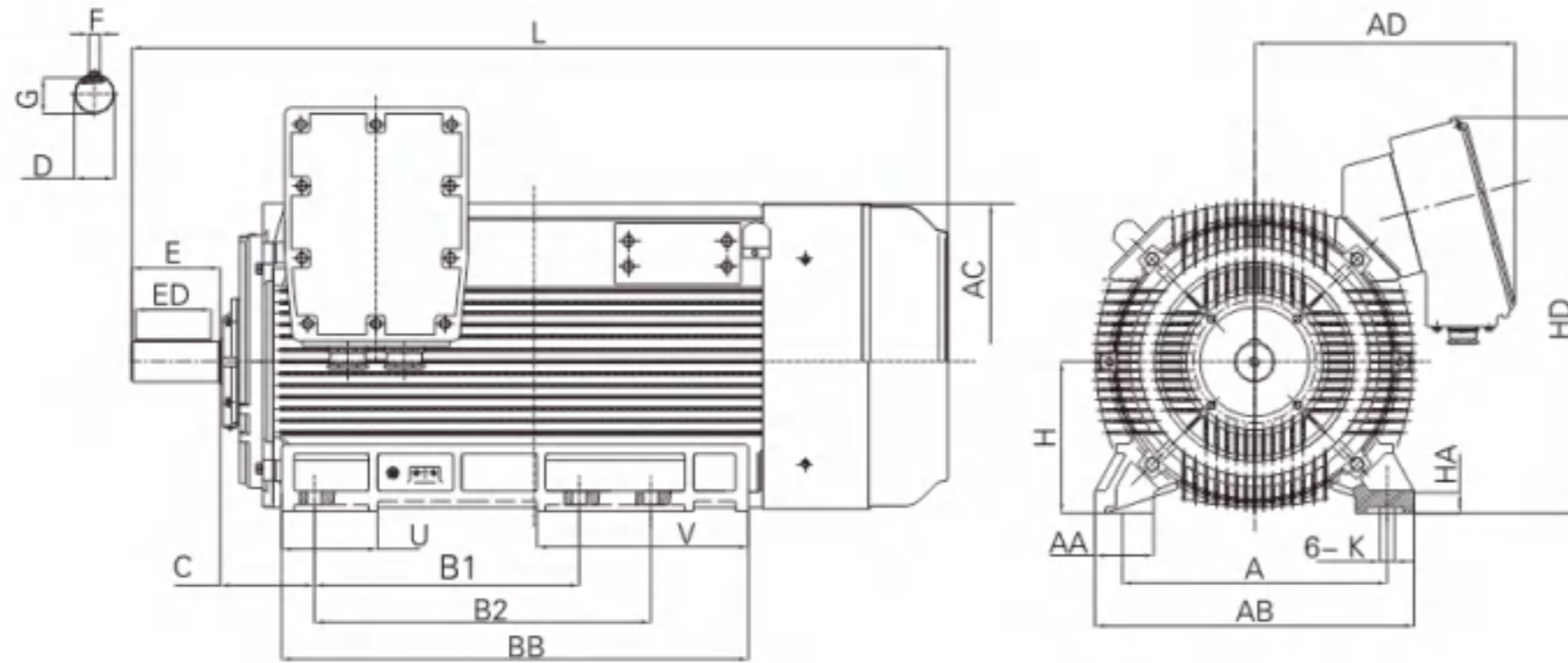
Model	AC	D	AD	AD	E	ED	F	G	GD	R
80	175	19	145	140	40	22	6	15.5	6	0
90S	195	24	165	150	50	32	8	20	7	0
90L	195	24	165	150	50	32	8	20	7	0
100L	215	28	180	160	60	40	8	24	7	0
112M	240	28	190	185	60	40	8	24	7	0
132S	275	38	210	205	80	56	10	33	8	0
132M	275	38	210	205	80	56	10	33	8	0
160M	330	42	255	250	110	80	12	37	8	0
160L	330	42	255	250	110	80	12	37	8	0
180M	380	48	270	270	110	80	14	42.5	9	0
180L	380	48	270	270	110	80	14	42.5	9	0
200L	420	55	325	325	110	90	16	49	10	0
225S(4-6P)	465	60	335	335	140	100	18	53	11	0
225M(2P)	465	55	335	335	110	80	16	49	10	0
225M(4-6P)	465	60	335	335	140	100	18	53	11	0
250M(2P)	520	60	370	370	140	100	18	53	11	0
250M(4-6P)	520	65	370	370	140	100	18	58	11	0
280S(2P)	570	65	395	395	140	100	18	58	11	0
280S(4-6P)	570	75	395	395	140	100	20	67.5	12	0
280M(2P)	570	65	395	395	140	100	18	58	11	0
280M(4-6P)	570	75	395	395	140	100	20	67.5	12	0
315S(2P)	650	65	495	495	140	100	18	58	11	0
315M(2P)	650	65	495	495	140	100	18	58	11	0
315L(2P)	650	65	495	495	140	100	18	58	11	0
315S(4-6P)	650	80	495	495	170	130	22	71	14	0
315M(4-6P)	650	80	495	495	170	130	22	71	14	0
315L(4-6P)	650	80	495	495	170	130	22	71	14	0
355M(2P)V1	735	75	645	650	140	110	20	67.5	12	0
355L(2P)V1	735	75	645	650	140	110	20	67.5	12	0
355M(4-6P)V1	735	95	645	650	170	140	25	86	14	0
355L(4-6P)V1	735	95	645	650	170	140	25	86	14	0

Dimensions flange mount B5、 V1

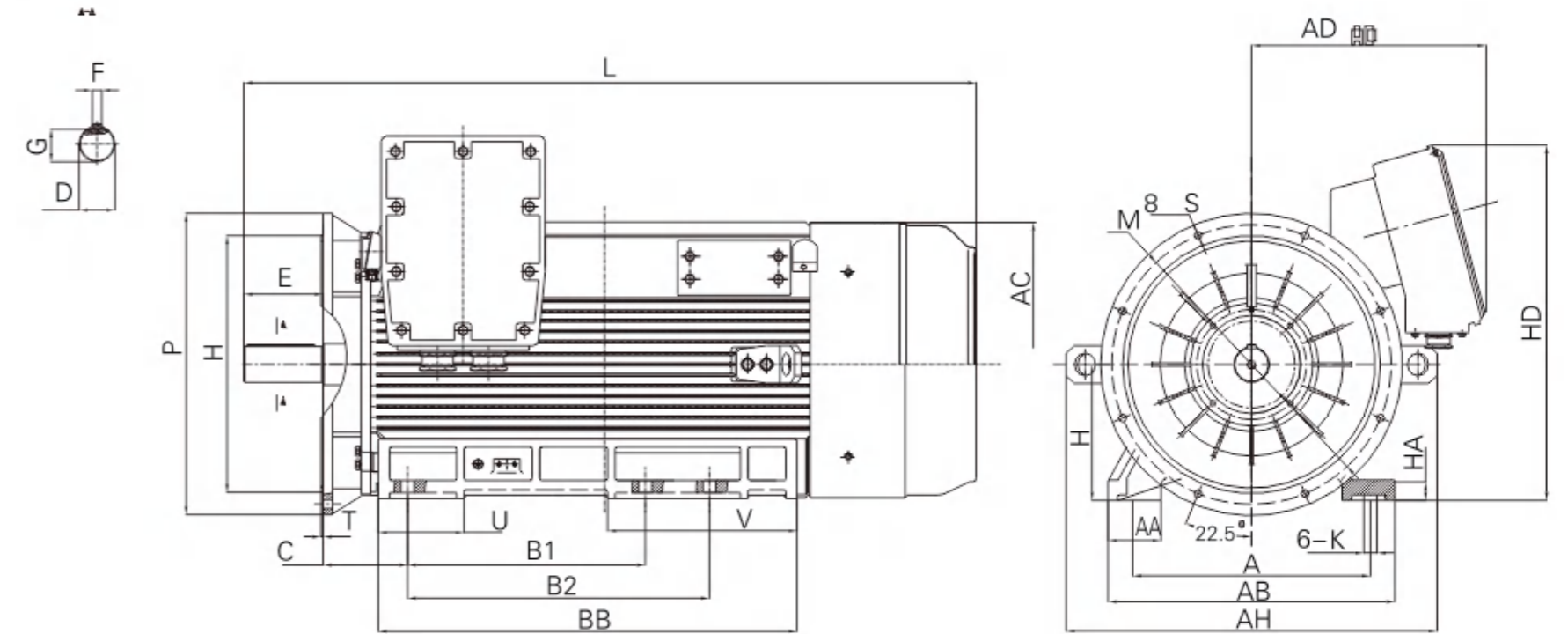
Model	L	LA	LG	LM	M	N	P	S	T	KK
80	301	14	112	-	165	130	200	12	3.5	M24X1.5
90S	360	12	126	-	165	130	200	12	3.5	M24X1.5
90L	390	12	126	-	165	130	200	12	3.5	M24X1.5
100L	435	14	153	-	215	180	250	14.5	4	M24X1.5
112M	480	12	144	-	215	180	250	14.5	4	M30X2
132S	510	13	167	-	265	230	300	14.5	4	M30X2
132M	550	13	167	-	265	230	300	14.5	4	M30X2
160M	667	15	267.5	732	300	250	350	18.5	5	M36X2
160L	689	15	267.5	754	300	250	350	18.5	5	M36X2
180M	732	15	277	807	300	250	350	18.5	5	M36X2
180L	780	15	277	855	300	250	350	18.5	5	M36X2
200L	779	17	300	864	350	300	400	18.5	5	M48X2
225S(4-6P)	836	19	340	905	400	350	450	18.5	5	M48X2
225M(2P)	831	19	310	900	400	350	450	18.5	5	M48X2
225M(4-6P)	866	19	340	935	400	350	450	18.5	5	M48X2
250M(2P)	936	20	360	1062	500	450	550	18.5	5	M64X2
250M(4-6P)	942	20	360	1068	500	450	550	18.5	5	M64X2
280S(2P)	970	22	350	1100	500	450	550	18.5	5	M64X2
280S(4-6P)	975	22	350	1090	500	450	550	18.5	5	M64X2
280M(2P)	1020	22	22	1100	500	450	550	18.5	5	M64X2
280M(4-6P)	1015	22	350	1090	500	450	550	18.5	5	M64X2
315S(2P)	1160	24	387	1258	600	550	660	24	6	M64X2
315M(2P)	-	24	387	1368	600	550	660	24	6	M64X2
315L(2P)	-	24	387	1368	600	550	660	24	6	M64X2
315S(4-6P)	-	24	417	1288	600	550	660	24	6	M64X2
315M(4-6P)	-	24	417	1398	600	550	660	24	6	M64X2
315L(4-6P)	-	24	417	1398	600	550	660	24	6	M64X2
355M(2P)V1	-	25	420	1590	740	680	800	24	6	M72X2
355L(2P)V1	-	25	420	1590	740	680	800	24	6	M72X2
355M(4-6P)V1	-	25	450	1620	740	680	800	24	6	M72X2
355L(4-6P)V1	-	25	450	1720	740	680	800	24	6	M72X2

Mounting dimensions 35512

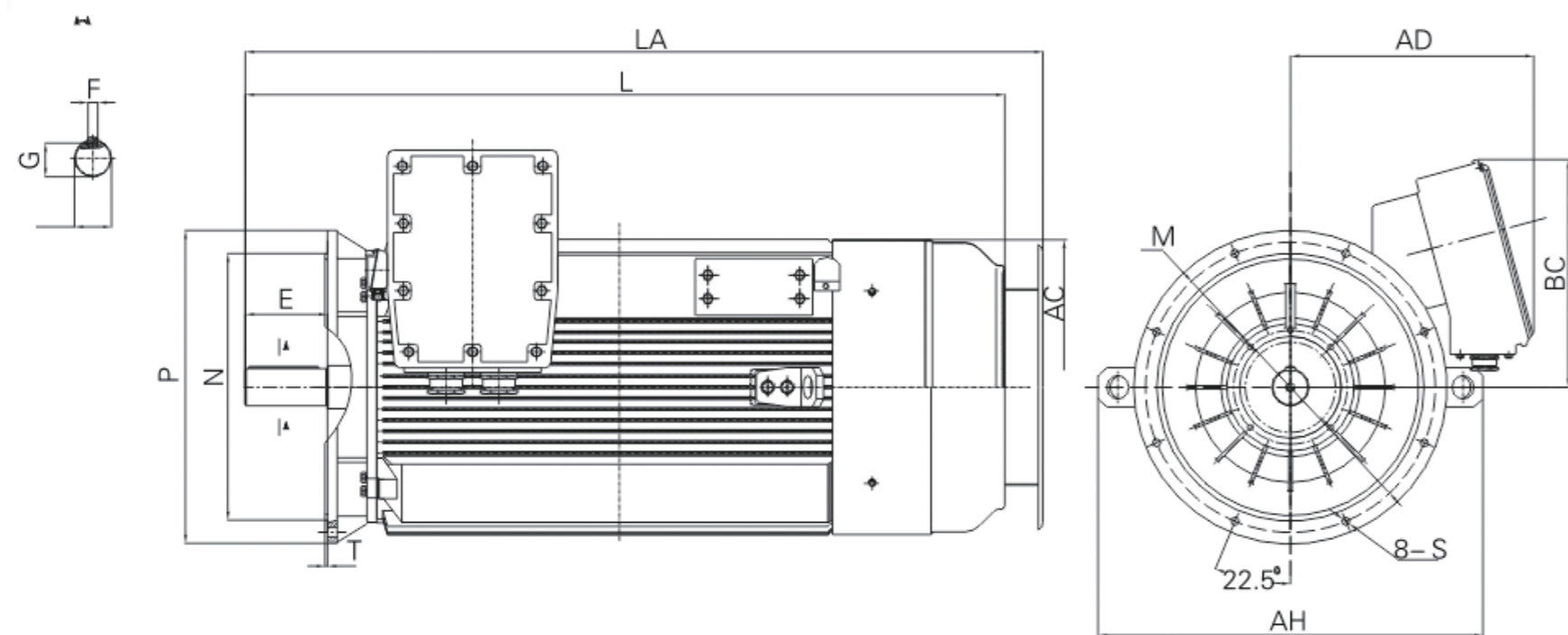
YE2-35512-B3



YE2-35512-B35



YE2-35512-V1



Model	A	AA	AB	AC	B1	B2	BB	C	D	E	ED	F	G	H
35512-2	630	140	760	760	630	800	1100	224	80	170	160	22	71	355
35512-46	630	140	760	760	630	800	1100	224	110	210	200	28	100	355

Model	HA	AD	HD	K	U	V	M	N	P	S	T	L	LA	AH	BC
35512-2	49	630	950	35	228	502	840	780	900	24	6	1850	1950	980	600
35512-46	49	630	950	35	228	502	840	780	900	24	6	1940	2040	980	600

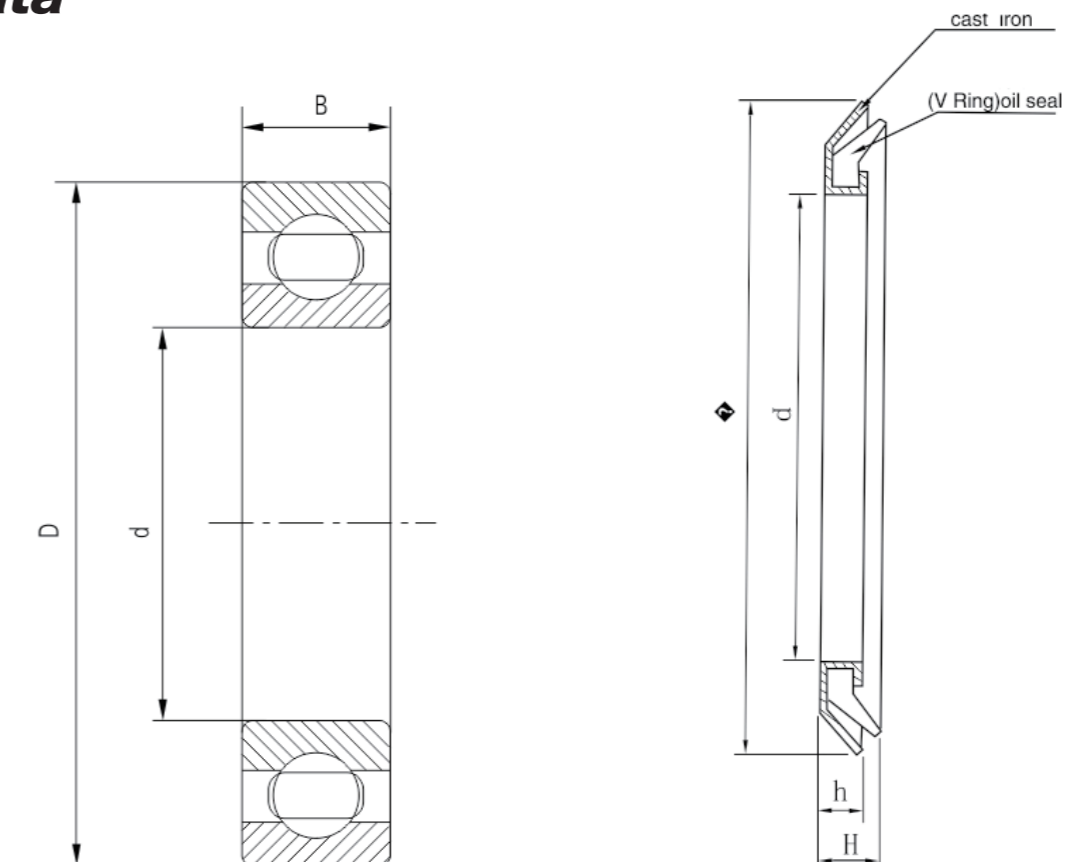
Bearing & lubrication

Model	Shaft extension (DE)	Non-shaft extension (NDE)	d	D	B
YE2-80	6204ZZ	6204ZZ	20	47	14
YE2-90	6205ZZ	6205ZZ	25	52	15
YE2-100	6206ZZ	6206ZZ	30	62	16
YE2-110	6306ZZ	6306ZZ	30	72	19
YE2-132	6308ZZ	6308ZZ	40	90	23
YE2-160	6309	6309	45	100	25
YE2-180	6311	6311	55	120	29
YE2-200	6312	6312	60	130	31
YE2-225	6313	6313	65	140	33
YE2-250	6314	6314	70	150	35
YE2-250(V1)	6314	6314	70	150	35
YE2-280 2P	6314	6314	70	150	35
YE2-280 2P(V1)	6314	6314	70	150	35
YE2-280 4-6P	6317	6317	85	180	41
YE2-280 4-6P(V1)	6317	7317	85	180	41
YE2-315 2P	6316	6316	80	170	39
YE2-315 2P(V1)	6316	7316	80	170	39
YE2-315 4-6P	6319	6319	95	200	45
YE2-315 4-6P(V1)	6319	7319	95	200	45
YE2-355(2P)(B3,B35)	6319	6319	95	200	45
YE2-355(2P)V1	6319	7319	95	200	45
YE2-355(4-6P)(B3,B35)	6322	6322	110	240	50
YE2-355(4-6P)V1	6322	7322	110	240	50
YE2-35512(2P)(B3,B35)	319/C3	319/C3	95	200	45
YE2-35512(4-6P)(B3,B35)	Nu324	6324	120	260	55
YE2-35512(2P)V1	319C3	7319	95	200	45
YE2-35512(4-6P)V1	Nu324	7324	110	260	55

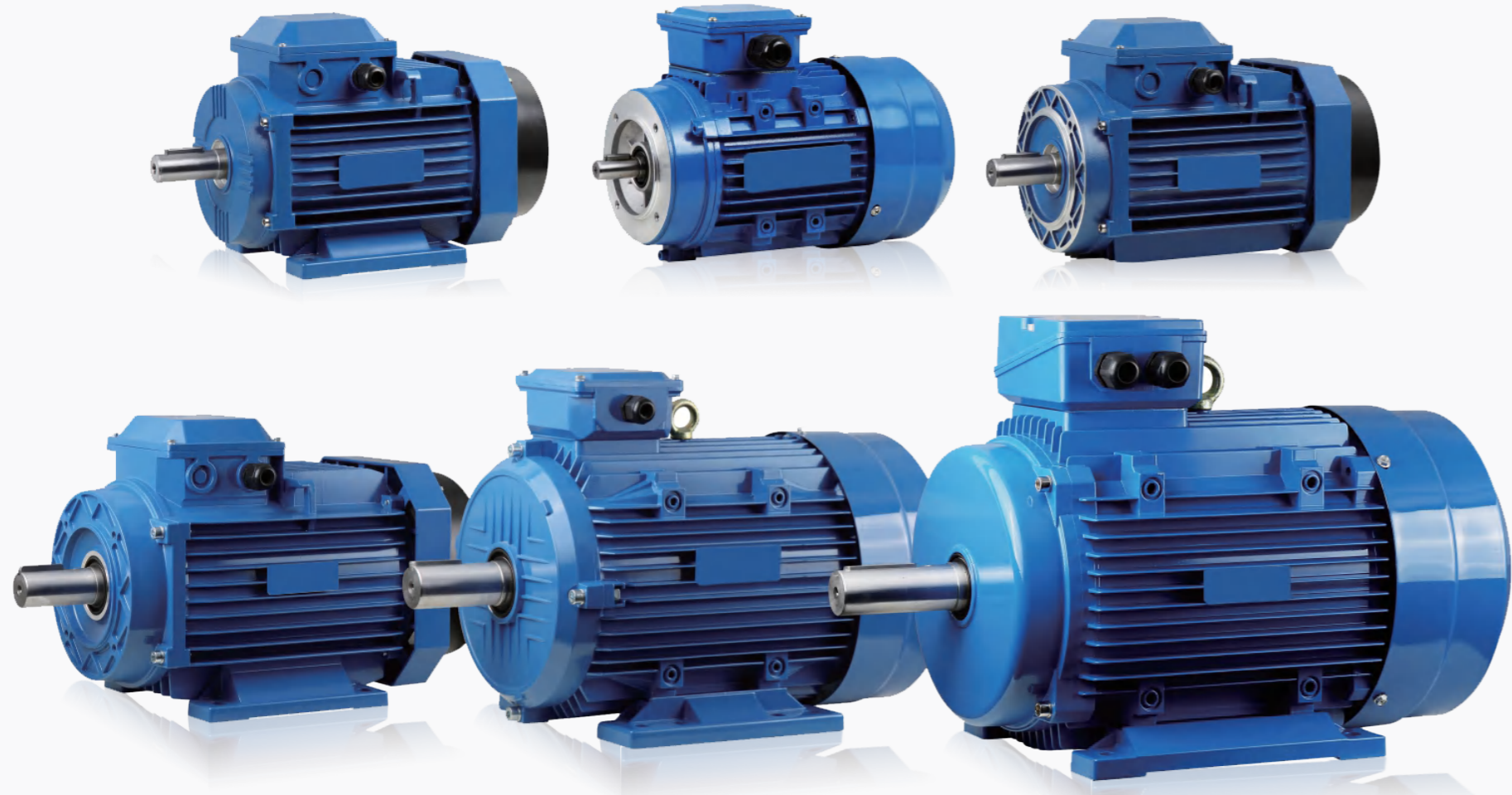
Bearing & lubrication

Model	Oil seal size	d	D	h	H
YE2-80	RB20x35x4	Φ20	Φ35	3	6
YE2-90	RB25x40x4	Φ25	Φ40	3	6
YE2-100	RB30x47x4.5	Φ30	Φ47	3.5	6.5
YE2-112	RB30x47x4.5	Φ30	Φ47	3.5	6.5
YE2-132	RB40x57x4.5	Φ40	Φ57	3.5	6.5
YE2-160	RB45x62x4.5	Φ45	Φ75	3.5	6.5
YE2-180	RB55x75x5.5	Φ55	Φ80	4.5	6.5
YE2-200	RB60x80x5.5	Φ60	Φ85	4.5	6.5
YE2-225	RB65x85x5.5	Φ65	Φ90	4.5	8
YE2-250	RB70x90x5.5	Φ70	Φ90	4.5	8
YE2-280-2	RB70x90x5.5	Φ70	Φ90	4.5	8
YE2-280-4.6	RB85x105x5.5	Φ85	Φ105	4.5	8
YE2-315-2	RB80x100x5.5	Φ80	Φ100	4.5	8
YE2-315-4.6	RB95x115x5.5	Φ95	Φ115	4.5	8
YE2-355-2	B95x120x12	Φ95	Φ120	-	12
YE-355-4.6	B110x140x12	Φ110	Φ140	-	12
YE2-35512(2P)	B95x120x12	Φ95	Φ120	-	12
YE2-35512(4-6P)	B120x150x12	Φ120	Φ150	-	12

Bearing data



Aluminium-housing Three Phase Asynchronous Motor



Technical data-MS

Series AL-housing motor-2 poles-50Hz

Model	Rated output		Speed (rpm)	Input Corrent(Amp)		
	KW	HP		380V	400V	415V
MS-63M1-2	0.18	0.25	2780	0.53	0.5	0.48
MS-63M2-2	0.25	0.37	2780	0.69	0.66	0.63
MS-71M1-2	0.37	0.5	2800	0.99	0.94	0.91
MS-71M2-2	0.55	0.75	2800	1.4	1.33	1.28
MS-80M1-2	0.75	1	2825	1.83	1.74	1.68
MS-80M2-2	1.1	1.5	2825	2.61	2.46	2.39
MS-90S-2	1.5	2	2840	3.46	3.28	3.16
MS-90L-2	2.2	3	2840	4.85	4.61	4.45
MS-100L-2	3	4	2870	6.34	6.03	5.81
MS-112M-2	4	5.5	2880	8.2	7.79	7.51
MS-132S1-2	5.5	7.5	2900	11.1	10.5	10.1
MS-132S2-2	7.5	10	2900	14.9	14.1	13.6
MS-160M1-2	11	15	2930	21.2	20.2	19.5
MS-160M2-2	15	20	2930	28.6	27.2	26.2
MS-160L-2	18.5	25	2930	34.7	33	31.8

Model	Efficiency (%)	Power factor (CosΦ)	Rated torque (N.m)	Tst/Tn	Tmax/Tn	Lst/Ln	Noise [dB(A)]	Weight (kg)
MS-63M1-2	65	0.8	0.62	2.2	2.2	5.5	61	4.8
MS-63M2-2	68	0.81	0.86	2.2	2.2	5.5	61	5.2
MS-71M1-2	70	0.81	1.26	2.2	2.2	6.1	64	6
MS-71M2-2	73	0.82	1.88	2.2	2.3	6.1	64	6.5
MS-80M1-2	75	0.83	2.54	2.2	2.3	6.1	67	8.5
MS-80M2-2	76.2	0.84	3.72	2.2	2.3	7	67	9.5
MS-90S-2	78.5	0.84	5.04	2.2	2.3	7	72	12
MS-90L-2	81	0.85	7.4	2.2	2.3	7	72	16
MS-100L-2	82.6	0.87	9.98	2.2	2.3	7.5	76	20
MS-112M-2	84.2	0.88	13.3	2.2	2.3	7.5	77	23
MS-132S1-2	85.7	0.88	18.1	2.2	2.3	7.5	80	37
MS-132S2-2	87	0.88	24.7	2.2	2.3	7.5	80	40
MS-160M1-2	88.4	0.89	35.9	2.2	2.3	7.5	86	70
MS-160M2-2	89.4	0.89	48.9	2.2	2.3	7.5	86	78
MS-160L-2	90	0.9	60.3	2.2	2.3	7.5	86	100

Technical data-MS

series AL-housing motor-4 poles-50Hz

Model	Rated output		Speed (rpm)	Input Corrent(Amp)		
	KW	HP		380V	400V	415V
MS-63M1-4	0.12	0.18	1350	0.44	0.42	0.41
MS-63M2-4	0.18	0.25	1350	0.62	0.59	0.57
MS-71M1-4	0.25	0.37	1380	0.79	0.75	0.72
MS-71M2-4	0.37	0.5	1380	1.12	1.06	1.02
MS-80M1-4	0.55	0.75	1390	1.57	1.49	1.44
MS-80M2-4	0.75	1	1390	2.05	1.95	1.88
MS-90S-4	1.1	1.5	1400	2.85	2.71	2.61
MS-90L-4	1.5	2	1400	3.68	3.49	3.37
MS-100L1-4	2.2	3	1420	5.09	4.84	4.67
MS-100L2-4	3	4	1420	6.73	6.39	6.16
MS-112M-4	4	5.5	1440	8.8	8.36	8.06
MS-132S-4	5.5	7.5	1440	11.7	11.2	10.8
MS-132M-4	7.5	10	1440	15.6	14.8	14.3
MS-160M-4	11	15	1460	22.5	21.4	20.6
MS-160L-4	15	20	1460	30	28.5	27.5

Model	Efficiency (%)	Power factor (CosΦ)	Rated torque (N.m)	Tst/Tn	Tmax/Tn	Lst/Ln	Noise [dB(A)]	Weight (kg)
MS-63M1-4	57	0.72	0.85	2.1	2.2	4.4	52	4.8
MS-63M2-4	60	0.73	1.27	2.1	2.2	4.4	52	5.2
MS-71M1-4	65	0.74	1.73	2.1	2.2	5.5	55	6
MS-71M2-4	67	0.75	2.56	2.1	2.2	5.2	55	6.5
MS-80M1-4	71	0.75	3.78	2.4	2.3	5.2	58	8.5
MS-80M2-4	73	0.76	5.15	2.3	2.3	6	58	9
MS-90S-4	76.2	0.77	7.5	2.3	2.3	6	61	12
MS-90L-4	78.5	0.79	10.2	2.3	2.3	6	61	15
MS-100L1-4	81	0.81	14.8	2.3	2.3	7	64	19
MS-100L2-4	82.6	0.82	20.2	2.3	2.3	7	64	22
MS-112M-4	84.2	0.82	26.5	2.3	2.3	7	65	29
MS-132S-4	85.7	0.83	36.5	2.3	2.3	7	71	38
MS-132M-4	87	0.84	49.7	2.3	2.3	7	71	43
MS-160M-4	88.4	0.84	72	2.2	2.3	7	75	73
MS-160L-4	89.4	0.85	98.1	2.2	2.3	7.5	75	96

Technical data-MS

Series AL-housing motor-6 poles-50Hz

Model	Rated output		Speed (rpm)	Input Corrent(Amp)		
	KW	HP		380V	400V	415V
MS-71M1-6	0.18	0.25	860	0.74	0.7	0.68
MS-71M2-6	0.25	0.37	860	0.95	0.9	0.87
MS-80M1-6	0.37	0.5	900	1.3	1.23	1.19
MS-80M2-6	0.55	0.75	900	1.79	1.7	1.64
MS-90S-6	0.75	1	910	2.29	2.18	2.1
MS-90L-9	1.1	1.5	910	3.18	3.02	2.91
MS-100L-6	1.5	2	930	4	3.8	3.66
MS-112M-6	2.2	3	940	5.57	5.29	5.1
MS-132S-6	3	4	960	7.4	7.03	6.78
MS-132M1-6	4	5.5	960	9.75	9.26	8.93
MS-132M2-6	5.5	7.5	960	12.9	12.3	11.8
MS-160M-6	7.5	10	970	17.2	16.3	15.8
MS-160L-6	11	15	970	24.5	23.3	22.4

Model	Efficiency (%)	Power factor (CosΦ)	Rated torque (N.m)	Tst/Tn	Tmax/Tn	Lst/Ln	Noise [dB(A)]	Weight (kg)
MS-71M1-6	56	0.66	2	1.9	2	4	52	6
MS-71M2-6	59	0.68	2.78	1.9	2	4	52	6.5
MS-80M1-6	62	0.7	3.93	1.9	2	4.7	54	9
MS-80M2-6	65	0.72	5.84	1.9	2.1	4.7	54	10
MS-90S-6	69	0.72	7.78	2	2.1	5.5	57	12
MS-90L-9	72	0.73	11.5	2	2.1	5.5	57	16
MS-100L-6	76	0.75	15.4	2	2.1	5.5	61	18
MS-112M-6	79	0.76	22.4	2	2.1	6.5	65	23
MS-132S-6	81	0.76	29.8	2.1	2.1	6.5	69	33
MS-132M1-6	82	0.76	39.8	2.1	2.1	6.5	69	40
MS-132M2-6	84	0.77	54.7	2.1	2.1	6.5	69	47
MS-160M-6	86	0.77	73.8	2	2.1	6.5	73	65
MS-160L-6	87.5	0.78	108.3	2	2.1	6.5	73	90

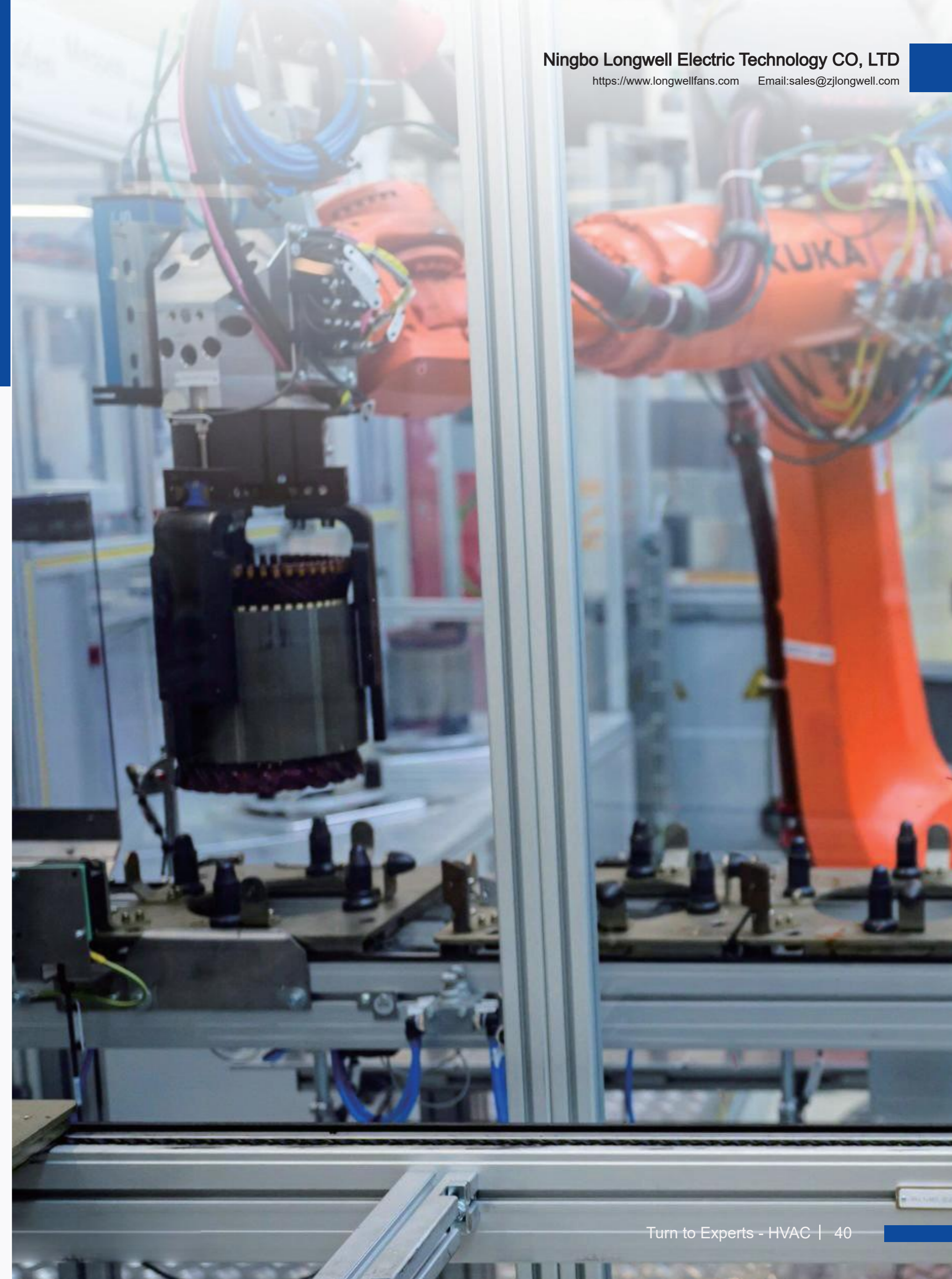
Technical dataMS

Series AL-housing motor-8 poles-50Hz

Model	Rated output		Speed (rpm)	Input Corrent(Amp)		
	KW	HP		380V	400V	415V
MS-80M1-8	0.18	0.25	650	0.88	0.84	0.8
MS-80M2-8	0.25	0.37	650	1.15	1.1	1.06
MS-90S-8	0.37	0.5	660	1.49	1.41	1.36
MS-90L-8	0.55	0.75	660	2.17	2.07	1.99
MS-100L1-8	0.75	1	690	2.4	2.28	2.19
MS-100L2-8	1.1	1.5	690	3.32	3.15	3.04
MS-112M-8	1.5	2	700	4.4	4.18	4.03
MS-132S-8	2.2	3	710	6.04	5.73	5.53
MS-132M-8	3	4	710	7.9	7.51	7.24
MS-160M1-8	4	5.5	720	10.3	9.76	9.41
MS-160M2-8	5.5	7.5	720	13.6	12.9	12.5
MS-160L-8	7.5	10	720	17.8	16.9	16.3

Model	Efficiency (%)	Power factor (CosΦ)	Rated torque (N.m)	Tst/Tn	Tmax/Tn	Lst/Ln	Noise [dB(A)]	Weight (kg)
MS-80M1-8	51	0.61	2.64	1.8	1.9	3.3	52	9.5
MS-80M2-8	54	0.61	3.67	1.8	1.9	3.3	52	10.5
MS-90S-8	62	0.61	5.35	1.8	1.9	4	56	13
MS-90L-8	63	0.61	7.96	1.8	2	4	56	16
MS-100L1-8	71	0.67	10.4	1.8	2	4	59	20
MS-100L2-8	73	0.69	15.2	1.8	2	5	59	22
MS-112M-8	75	0.69	20.5	1.8	2	5	61	26
MS-132S-8	78	0.71	29.6	1.8	2	6	64	33
MS-132M-8	79	0.73	40.4	1.8	2	6	64	40
MS-160M1-8	81	0.73	53.1	1.9	2	6	68	60
MS-160M2-8	83	0.74	73	2	2	6	68	68
MS-160L-8	85.5	0.75	99.5	2	2	6	68	92

Electromagnetic Braking Three Phase Induction Motor



Technical data-YEJ

Series motor-2 poles-380V/50Hz

Model	Rated output KW	Rated output HP	Speed (rpm)	Input Current (Amp)	Efficiency (%)	Power factor (CosΦ)
YEJ80M1-2	0.75	1	2825	1.81	75	0.84
YEJ80M2-2	1.1	1.5	2825	2.52	77	0.86
YEJ90S-2	1.5	2	2840	3.44	78	0.85
YEJ90L-2	2.2	3	2840	4.83	80.5	0.86
YEJ100L-2	3	4	2870	6.39	82	0.87
YEJ112M-2	4	5.5	2880	8.17	85.5	0.87
YEJ132S1-2	5.5	7.5	2900	11.1	85.5	0.88
YEJ132S2-2	7.5	10	2900	15	86.2	0.88
YEJ160M1-2	11	15	2930	21.8	87.2	0.88
YEJ160M2-2	15	20	2930	29.4	88.2	0.88
YEJ160L-2	18.5	25	2930	35.5	89	0.89
YEJ180M-2	22	30	2940	42.2	89	0.89
YEJ200L1-2	30	40	2950	56.9	90	0.89
YEJ200L2-2	37	50	2950	69.8	90.5	0.89
YEJ225M-2	45	60	2960	83.9	91.5	0.89

Model	Rated torque (N.m)	Tst/Tn	Tmax/Tn	Lst/Ln	Static braking torque(N.m)	Max.braking time at No-load(S)	Brake power(W)
YEJ80M1-2	2.54	2.2	2.3	6.5	7.5	0.2	50
YEJ80M2-2	3.72	2.2	2.3	7	7.5	0.2	50
YEJ90S-2	5.04	2.2	2.3	7	15	4	60
YEJ90L-2	7.4	2.2	2.3	7	15	4	60
YEJ100L-2	9.98	2.2	2.3	7	30	4	80
YEJ112M-2	13.3	2.2	2.3	7	40	0.25	110
YEJ132S1-2	18.1	2	2.3	7	75	0.25	130
YEJ132S2-2	24.7	2	2.3	7	75	0.25	130
YEJ160M1-2	35.9	2	2.3	7	150	0.35	150
YEJ160M2-2	48.9	2	2.2	7	150	0.35	150
YEJ160L-2	60.3	2	2.2	7	150	0.35	150
YEJ180M-2	71.5	2	2.2	7	200	0.35	150
YEJ200L1-2	97.1	2	2.2	7	300	0.45	200
YEJ200L2-2	119.8	2	2.2	7	300	0.45	200
YEJ225M-2	145.2	2	2.2	7	450	0.45	200

Technical data-YEJ

Series motor-4 poles-380V/50Hz

Model	Rated output KW	Rated output HP	Speed (rpm)	Input Current (Amp)	Efficiency (%)	Power factor (CosΦ)
YEJ80M1-4	0.55	0.75	1390	1.51	73	0.76
YEJ80M2-4	0.75	1	1390	2.01	74.5	0.76
YEJ90S-4	1.1	1.5	1400	2.75	78	0.78
YEJ90L-4	1.5	2	1400	3.65	79	0.79
YEJ100L-4	2.2	3	1420	5.03	81	0.82
YEJ100L2-4	3	4	1420	6.82	82.5	0.81
YEJ112M-4	4	5.5	1440	8.77	84.5	0.82
YEJ132S-4	5.5	7.5	1440	11.6	85.5	0.84
YEJ132M-4	7.5	10	1440	15.4	87	0.85
YE160M-4	11	15	1460	22.6	88	0.84
YE160L-4	15	20	1460	30.3	88.5	0.85
YEJ180M-4	18.5	25	1465	35.9	91	0.86
YEJ180L-4	22	30	1465	42.5	91.5	0.86
YEJ200L-4	30	40	1470	56.8	92.2	0.87
YEJ225S-4	37	50	1475	70.4	91.8	0.87
YEJ225M-4	45	60	1475	84.2	92.3	0.88

Model	Rated torque (N.m)	Tst/Tn	Tmax/Tn	Lst/Ln	Static braking torque(N.m)	Max.braking time at No-load(S)	Brake power(W)
YEJ80M1-4	3.78	2.4	2.3	6	7.5	0.2	50
YEJ80M2-4	5.15	2.3	2.3	6	7.5	0.2	50
YEJ90S-4	7.5	2.3	2.3	6.5	15	0.2	60
YEJ90L-4	10.2	2.3	2.3	6.5	15	0.2	60
YEJ100L-4	14.8	2.2	2.3	7	30	0.2	80
YEJ100L2-4	20.2	2.2	2.3	7	30	0.2	80
YEJ112M-4	26.5	2.2	2.3	7	40	0.25	110
YEJ132S-4	36.5	2.2	2.3	7	75	0.25	130
YEJ132M-4	49.7	2.2	2.3	7	75	0.25	130
YE160M-4	72	2.2	2.2	7	150	0.35	150
YE160L-4	98.1	2.2	2.2	7	150	0.35	150
YEJ180M-4	120.6	2	2.2	7	200	0.35	150
YEJ180L-4	143.4	2	2.2	7	200	0.35	150
YEJ200L-4	194.9	2	2.2	7	300	0.45	200
YEJ225S-4	239.6	1.9	2.2	7	450	0.45	200
YEJ225M-4	291.4	1.9	2.2	7	450	0.45	200

Technical data-YEJ

Series motor-6 poles-380V/50Hz

Model	Rated output KW	HP	Speed (rpm)	Input Current (Amp)	Efficiency (%)	Power factor (CosΦ)
YEJ90S-6	0.75	1	910	2.25	72.5	0.7
YEJ80M2-4	1.1	1.5	910	3.16	73.5	0.72
YEJ90S-4	1.5	2	930	3.97	77.5	0.74
YEJ90L-4	2.2	3	940	5.61	80.5	0.74
YEJ100L-4	3	4	960	7.23	83	0.76
YEJ100L2-4	4	5.5	960	9.4	84	0.77
YEJ112M-4	5.5	7.5	960	12.6	85.3	0.78
YEJ132S-4	7.5	10	970	17	86	0.78
YEJ132M-4	11	15	970	24.6	87	0.78
YE160M-4	15	20	970	31.4	89.5	0.81
YE160L-4	18.5	25	975	37.7	89.8	0.83
YEJ180M-4	22	30	975	44.6	90.2	0.83
YEJ180L-4	30	40	980	59.5	92.2	0.85

Model	Rated torque (N.m)	Tst/Tn	Tmax/Tn	Lst/Ln	Static braking torque(N.m)	Max.braking time at No-load(S)	Brake power(W)
YEJ90S-6	7.87	2	2.2	5.5	15	0.2	60
YEJ80M2-4	11.5	2	2.2	5.5	15	0.2	60
YEJ90S-4	15.4	2	2.2	6	30	0.2	80
YEJ90L-4	22.4	2	2.2	6	40	0.25	110
YEJ100L-4	29.8	2	2.2	6.5	75	0.25	130
YEJ100L2-4	39.8	2	2.3	6.5	75	0.25	130
YEJ112M-4	54.7	2	2	6.5	75	0.25	130
YEJ132S-4	73.8	2	2	6.5	150	0.35	150
YEJ132M-4	108.3	2	2	6.5	150	0.35	150
YE160M-4	147.7	1.8	2	6.5	200	0.35	150
YE160L-4	181.2	1.8	2	6.5	300	0.45	200
YEJ180M-4	215.5	1.8	2	6.5	300	0.45	200
YEJ180L-4	292.3	1.7	2	6.5	450	0.45	200

Technical data-YEJ

Series motor-8 poles-380V/50Hz

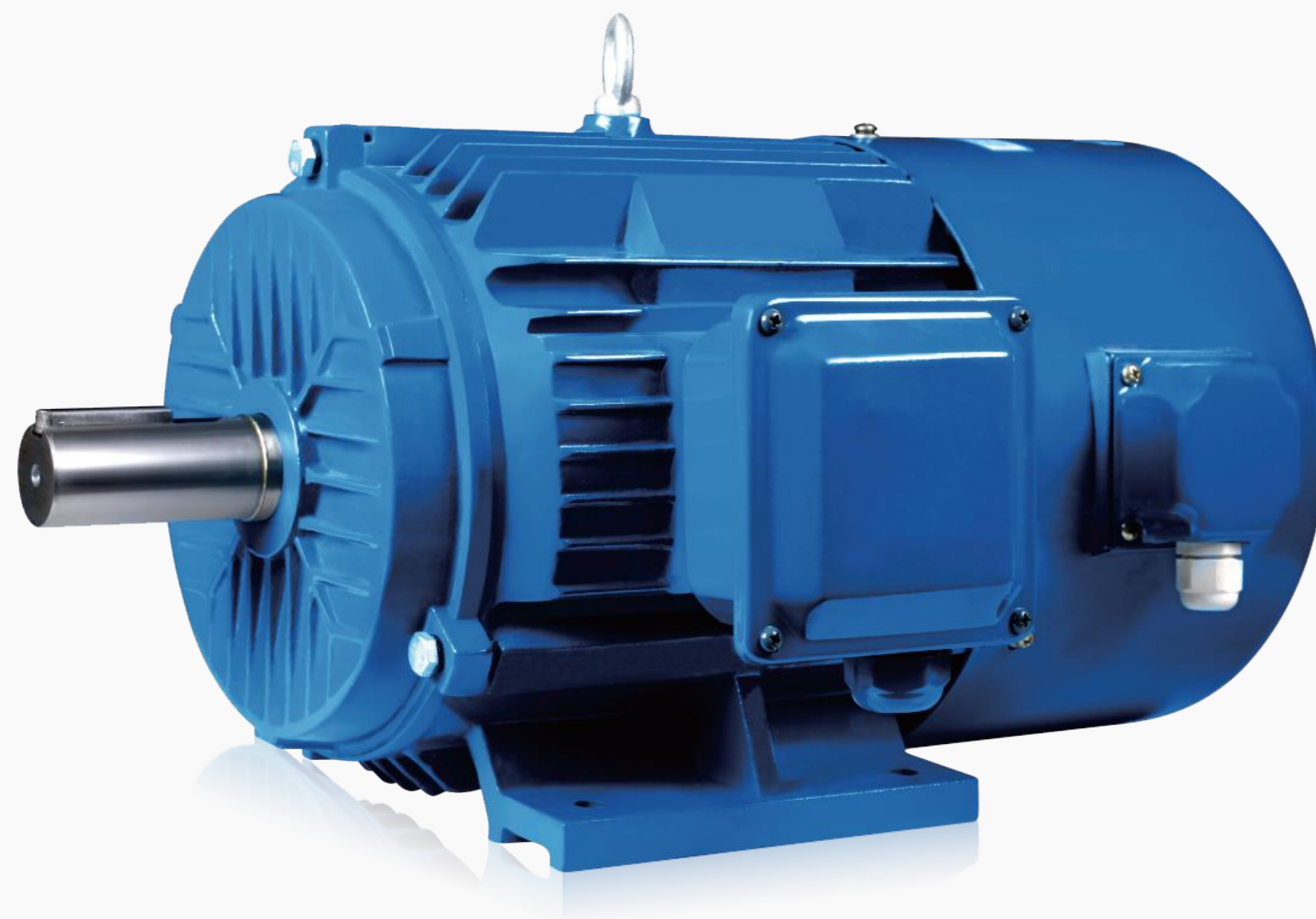
Model	Rated output KW	HP	Speed (rpm)	Input Current (Amp)	Efficiency (%)	Power factor (CosΦ)
YEJ132S-8	2.2	3	710	5.78	80.2	0.71
YEJ132M-8	3	4	710	7.72	82	0.72
YEJ160M1-8	4	5.5	720	9.9	84	0.73
YEJ160M2-8	5.5	7.5	720	13.3	85	0.74
YEJ160L-8	7.5	10	720	17.7	86	0.75
YEJ180L-8	11	15	730	24.8	87.5	0.77
YEJ200L-8	15	20	730	34.1	88	0.76
YEJ225S-8	18.5	25	730	41.3	89.5	0.76
YEJ225M-8	22	30	730	47.6	90	0.78

Model	Rated torque (N.m)	Tst/Tn	Tmax/Tn	Lst/Ln	Static braking torque(N.m)	Max.braking time at No-load(S)	Brake power(W)
YEJ132S-8	29.6	2	2	5.5	75	0.25	130
YEJ132M-8	40.4	2	2	5.5	75	0.25	130
YEJ160M1-8	53.1	2	2	6	150	0.35	150
YEJ160M2-8	73	2	2	6	150	0.35	150
YEJ160L-8	99.5	2	2	5.5	150	0.35	150
YEJ180L-8	143.9	1.7	2	6	200	0.35	150
YEJ200L-8	196.2	1.8	2	6	300	0.45	200
YEJ225S-8	242.3	1.7	2	6	450	0.45	200
YEJ225M-8	287.8	1.8	2	6	450	0.45	200

Operating Conditions

- Ambient Temperature: -15°C -40°C
- Altitude: Up to 1000 meters
- Rated Voltage: 380V,400V,415V
- Rated Frequency: 50Hz,60Hz
- Connection: Output≤3KW, Y connection
Output≥4KW, Δ connection
- Duty: Continuous(S1)
- Ingress Protection: IP44/IP55 The brake I 23
- Insulation Class: Class B/Class F
- Cooling Method: Ic 141
- Voltage for the brake: DC99V for motors up to H100
DC170V for motors H112and up

Variable Frequency Adjustable-Speed Converter-Fed Three Phase Induction Motor



Operating Conditions

- Ambient Temperature: -15° C-40° C
- Altitude: Up to 1000 meters
- Rated Voltage: 380V,400V,415V
- Rated Frequency: 50Hz
- Connection: Output≤55KW, Y connection
Output≥55KW, Δ connection
- Duty: Continuous(S1)
- Ingress Protection: IP44/IP55
- Insulation Class: Class B/Class F
- Cooling Method: I 416

Technical data-YVF series motor-380V

Model	Rated output KW	HP	Nominal current(A)	Rated torque (N.m)	Frequency range with constant torque(Hz)	Frequency range with constant output(Hz)	Tmin/Tn	Noise [dB(A)]	Weight (kg)
YVF 80M1-4	0.55	0.75	1.55	3.5	5-50	50-100	1.7	73	15
YVF 80M1-4	0.75	1	2.05	4.7	5-50	50-100	1.6	73	16
YVF 80M1-4	1.1	1.5	2.8	7	5-50	50-100	1.6	76	20
YVF 80M1-4	1.5	2	3.7	9.5	5-50	50-100	1.6	76	24
YVF 80M1-4	2.2	3	5.05	14	5-50	50-100	1.5	79	32
YVF 80M1-4	3	4	6.8	19	5-50	50-100	1.5	79	35
YVF 80M1-4	4	5.5	8.75	25.4	5-50	50-100	1.5	80	43
YVF 80M1-4	5.5	7.5	11.4	35	5-50	50-100	1.4	86	62
YVF 80M1-4	7.5	10	15.3	47.7	5-50	50-100	1.4	86	70
YVF 80M1-4	11	15	22.1	70	5-50	50-100	1.4	90	110
YVF 80M1-4	15	20	30.1	95.5	5-50	50-100	1.4	90	132
YVF 80M1-4	18.5	25	35.4	117.1	5-50	50-100	1.2	91	162
YVF 80M1-4	22	30	41.6	140.9	5-50	50-100	1.2	91	178
YVF 80M1-4	30	40	55.9	190.9	5-50	50-100	1.2	92	230
YVF 80M1-4	37	50	68.2	235.5	5-50	50-100	1.2	94	280
YVF 80M1-4	45	60	82.5	286.4	5-50	50-100	1.1	94	315
YVF 80M1-4	55	75	101	350.1	3-50	50-100	1.1	96	385
YVF 80M1-4	75	100	132.3	477.7	3-50	50-100	1	99	515
YVF 80M1-4	90	120	157.4	572.9	3-50	50-100	1	99	580
YVF 80M1-4	110	150	191.4	700.2	3-50	50-100	1	105	880
YVF 80M1-4	132	175	227.6	840.3	3-50	50-100	1	105	980
YVF 80M1-4	160	220	274.2	1018.5	3-50	50-100	1	109	1040
YVF 80M1-4	200	270	341.6	1273.2	3-50	50-100	0.9	109	1120

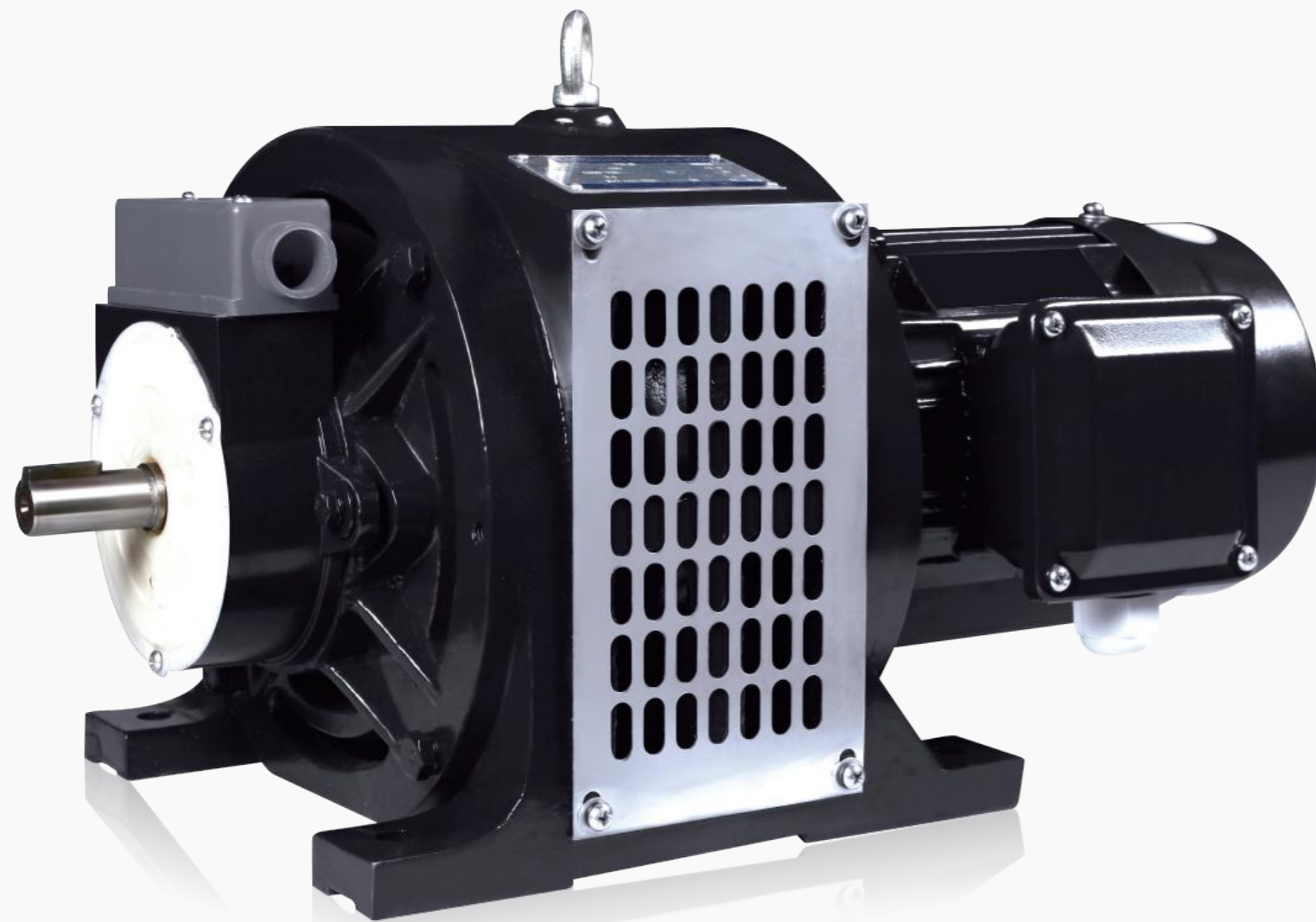
Adjustable-Speed Induction Motor By Electromagnetic Clutch

Operating Conditions

- Wide adjustable speed range and stable speed adjustment
- Adjustable speed without out-of-control zone
- With speed negative feedback automatic regulation system, small speed variation ratio
- Large start torque and smooth start performance
- Simple construction, reliable and easy for operation and maintenance
- With small control power, multi-way control

Technical data-YCT series motor-380V

Model	Rated output KW	HP	Rated torque (N.m)	Speed range (rpm)	Excitation voltage(V)	Excitation current(A)	Noise [dB(A)]	Weight (kg)
YCT-112-4A	0.55	0.75	3.6	1230-125	<90	<1.3	75	50
YCT-112-4B	0.75	1	4.9	1230-125	<90	<1.3	75	55
YCT-132-4A	1.1	1.5	7.1	1230-125	<90	<1.3	75	75
YCT-132-4B	1.5	2	9.7	1230-125	<90	<1.3	78	77
YCT-160-4A	2.2	3	14.1	1250-125	<90	<1.5	78	114
YCT-160-4B	3	4	19.2	1250-125	<90	<1.5	82	117
YCT-180-4A	4	5.5	25.2	1250-125	<90	<1.5	82	157
YCT-200-4A	5.5	7.5	35.1	1250-125	<90	<2	82	224
YCT-200-4B	7.5	10	47.7	1250-125	<90	<2	86	234
YCT-225-4A	11	15	69.1	1250-125	<90	<2.5	86	340
YCT-225-4B	15	20	94.3	1250-125	<90	<2.5	90	360
YCT-250-4A	18.5	25	110	1320-132	<90	<3	90	460
YCT-250-4B	22	30	137	1320-132	<90	<3	90	500
YCT-280-4A	30	40	189	1320-132	<90	<3.5	97	630
YCT-315-4A	37	50	232	1320-132	<90	<4.5	97	870
YCT-315-4B	45	60	282	1320-132	<90	<4.5	99	910



Change-Pole Multi-Speed Three Phase Induction Motor



Technical data-YD series motor-380V/50Hz

Model	Poles	Power (KW)	Speed (rpm)	Current (A)	Efficiency (%)	Power factor (CosΦ)	Rated torque (N.m)	Tst/Tn	Tmax/Tn	Ist/In
YD-80M1-4/2	4	0.45	1420	1.4	66	0.74	3.03	1.5	1.8	6.5
	2	0.55	2840	1.51	65	0.85	1.85	1.7	1.8	7
YD-80M2-4/2	4	0.55	1420	1.66	68	0.74	3.7	1.6	1.8	6.5
	2	0.75	2840	2.03	66	0.85	2.52	1.8	1.8	7
YD-90S-4/2	4	0.85	1430	2.27	74	0.77	5.68	1.8	1.8	6.5
	2	1.1	2850	2.27	71	0.85	3.69	1.9	1.8	7
YD-90L-4/2	4	1.3	1430	3.33	76	0.78	8.68	1.8	1.8	6.5
	2	1.8	2850	4.41	73	0.85	6.03	2	1.8	7
YD-100L1-4/2	4	2	1430	4.81	78	0.81	13.4	1.7	1.8	6.5
	2	2.4	2850	5.58	76	0.86	8.04	1.9	1.8	7
YD-100L2-4/2	4	2.4	1430	5.56	79	0.83	16	1.6	1.8	6.5
	2	3	2850	6.65	77	0.89	10.1	1.7	1.8	7
YD-112M-4/2	4	3.3	1450	7.37	82	0.83	21.7	1.9	1.8	6.5
	2	4	2880	8.64	79	0.89	13.3	2	1.8	7
YD-132S-4/2	4	4.5	1450	9.81	83	0.84	29.6	1.7	1.8	6.5
	2	5.5	2880	11.9	79	0.89	18.2	1.8	1.8	7
YD-132M-4/2	4	6.5	1450	13.8	84	0.85	42.8	1.7	1.8	6.5
	2	8	2880	17.1	80	0.89	26.5	1.8	1.8	7
YD-160M-4/2	4	9	1460	18.5	87	0.85	58.9	1.6	1.8	6.5
	2	11	2920	22.9	82	0.89	36	1.8	1.8	7
YD-160L-4/2	4	11	1460	22.3	87	0.86	72	1.7	1.8	6.5
	2	14	2920	28.8	82	0.9	45.8	1.9	1.8	7
YD-180M-4/2	4	15	1470	29.4	89	0.87	97.4	1.8	1.8	6.5
	2	18.5	2940	36.7	85	0.9	60.1	1.9	1.8	7
YD-180L-4/2	4	18.5	1470	35.9	89	0.88	120.2	1.6	1.8	6.5
	2	22	2940	42.7	86	0.91	71.5	1.8	1.8	7
YD-200L-4/2	4	26	1470	49.9	89	0.89	168.9	1.4	1.8	6.5
	2	30	2940	58.3	85	0.92	97.45	1.6	1.8	7
YD-90S-6/4	6	0.65	920	2.27	64	0.68	6.75	1.6	1.8	6
	4	0.85	1400	2.34	70	0.79	5.8	1.4	1.8	6.5
YD-90L-6/4	6	0.85	930	2.8	66	0.7	8.73	1.6	1.8	6
	4	1.1	1400	2.98	71	0.79	7.5	1.5	1.8	6.5
YD-100L1-6/4	6	1.3	940	3.81	74	0.7	13.2	1.7	1.8	6
	4	1.8	1440	4.44	77	0.8	11.9	1.4	1.8	6.5
YD-100L2-6/4	6	1.5	940	4.34	75	0.7	15.2	1.6	1.8	6
	4	2.2	1440	5.43	77	0.8	14.6	1.4	1.8	6.5
YD-112M-6/4	6	2.2	960	5.71	78	0.75	21.9	1.8	1.8	6
	4	2.8	1450	6.74	77	0.82	18.4	1.5	1.8	6.5
YD-132S-6/4	6	3	970	7.69	79	0.75	29.5	1.8	1.8	6
	4	4	1450	9.5	78	0.82	26.3	1.7	1.8	6.5
YD-132M-6/4	6	4	970	9.75	82	0.76	39.4	1.6	1.8	6
	4	5.5	1450	12.3	80	0.85	36.2	1.4	1.8	6.5
YD-160M-6/4	6	6.5	970	15.1	84	0.78	64	1.5	1.8	6
	4	8	1460	17.6	82	0.84	52.3	1.5	1.8	6.5
YD-160L-6/4	6	9	970	20.6	85	0.78	88.6	1.6	1.8	6
	4	11	1460	23.7	83	0.85	72	1.7	1.8	6.5
YD-180M-6/4	6	11	980	25.9	85	0.76	107.2	1.6	1.8	6
	4	14	1470	29.8	84	0.85	91	1.7	1.8	6.5

Technical data-YD series motor-380V/50Hz

Model	Poles	Power (KW)	Speed (rpm)	Current (A)	Efficiency (%)	Power factor (CosΦ)	Rated torque (N.m)	Tst/Tn	Tmax/Tn	Ist/In
YD-180L-6/4	6 4	13 16	980 1470	29.4 33.6	86 85	0.78 0.85	126.7 103.9	1.7 1.7	1.8 1.8	6 6.5
YD-200L-6/4	6 4	18.5 22	980 1470	41.4 44.9	87 86.5	0.78 0.86	180.3 142.9	1.6 1.5	1.8 1.8	6.5 7
YD-90L-8/4	8 4	0.45 0.75	700 1400	1.87 1.82	58 72	0.63 0.87	6.14 5.12	1.6 1.4	1.8 1.8	5.5 6.5
YD-100L-8/4	8 4	0.85 1.5	700 1410	3.06 3.5	67 74	0.63 0.88	11.6 10.2	1.6 1.4	1.8 1.8	5.5 6.5
YD-112M-8/4	8 4	1.5 2.4	700 1410	5.02 5.31	72 78	0.63 0.88	20.5 16.3	1.7 1.7	1.8 1.8	5.5 6.5
YD-132S-8/4	8 4	2.2 3.3	720 1440	6.69 7.12	75 80	0.64 0.88	29.2 21.9	1.5 1.7	1.8 1.8	5.5 6.5
YD-132M-8/4	8 4	3 4.5	720 1440	8.99 9.37	78 82	0.65 0.89	39.8 29.8	1.5 1.6	1.8 1.8	5.5 6.5
YD-132M-8/4	4 2	4.5 5.5	1450 2880	9.81 11.9	83 79	0.84 0.89	29.6 18.2	1.7 1.8	1.8 1.8	6.5 7
YD-160M-8/4	8 4	5 7.5	730 1450	13.9 15.2	83 84	0.66 0.89	65.4 49.4	1.5 1.6	1.8 1.8	5.5 6.5
YD-160L-8/4	8 4	7 11	730 1450	19 21.8	85 86	0.66 0.89	91.6 72.4	1.5 1.6	1.8 1.8	5.5 6.5
YD-180L-8/4	8 4	11 17	730 1460	26.7 32.3	87 88	0.72 0.91	143.9 111.2	1.5 1.5	1.8 1.8	6 7
YD-200L1-8/4	8 4	14 22	730 1460	33 41	87 88	0.74 0.92	183.2 143.9	1.8 1.7	1.8 1.8	6 7
YD-200L2-8/4	8 4	17 26	730 1460	40.1 48.8	87 88	0.74 0.92	222.4 170.1	1.5 1.7	1.8 1.8	6 7
YD-90S-8/6	8 6	0.35 0.45	700 930	1.58 1.36	56 70	0.6 0.72	4.78 4.62	1.8 2	1.8 1.8	5 6
YD-90L-8/6	8 6	0.45 0.65	700 930	1.93 1.91	59 71	0.6 0.73	6.14 6.67	1.7 1.8	1.8 1.8	5 6
YD-100L-8/6	8 6	0.75 1.1	710 950	2.92 3.05	65 75	0.6 0.73	10.1 11.1	1.8 1.9	1.8 1.8	5 6
YD-112M-8/6	8 6	1.3 1.8	710 950	4.5 4.8	72 78	0.61 0.73	17.5 18.1	1.7 1.9	1.8 1.8	5 6
YD-132S-8/6	8 6	1.8 2.4	730 970	5.8 6.24	76 80	0.62 0.73	23.5 23.6	1.6 1.9	1.8 1.8	5 6
YD-132M-8/6	8 6	2.6 3.7	730 970	8.17 9.39	78 82	0.62 0.73	34 36.4	1.9 1.9	1.8 1.8	5 6
YD-160M-8/6	8 6	4.5 6	730 980	13.3 14.7	83 85	0.62 0.73	58.9 58.5	1.6 1.9	1.8 1.8	5 6
YD-160L-8/6	8 6	6 8	730 980	17.5 19.4	84 86	0.62 0.73	78.5 78	1.6 1.9	1.8 1.8	5 6
YD-180M-8/6	8 6	7.5 10	730 980	21.9 24.2	84 86	0.62 0.73	98.1 97.4	1.9 1.9	1.8 1.8	5 6
YD-180L-8/6	8 6	9 12	730 980	24.8 28.3	85 86	0.65 0.75	117.7 116.9	1.8 1.8	1.8 1.8	5 6
YD-200L1-8/6	8 6	12 17	730 980	32.6 39.1	86 87	0.65 0.76	157 165.7	1.8 2	1.8 1.8	5 6
YD-200L2-8/6	8 6	15 20	730 980	40.3 45.4	87 88	0.65 0.76	196.2 194.9	1.8 2	1.8 1.8	5 6

Chinese National Standard GB18613-2006 Energy efficiency grades for three phase motors

Power (KW)	Level 2	Level 4	Level 6	Level 2	Level 4	Level 6	Level 2	Level 4	Level 6
0.55	-	-	-	-	80.7	75.4	-	71	65
0.75	-	-	-	77.5	82.3	77.7	75	73	69
1.1	-	-	-	82.8	83.8	79.9	76.2	76.2	72
1.5	-	-	-	84.1	85	81.5	78.5	78.5	76
2.2	-	-	-	85.6	86.4	83.4	81	81	79
3	-	-	86.9	86.7	87.4	84.9	82.6	82.6	81
4	89.3	89.9	87.9	87.6	88.3	86.1	84.2	84.2	82
5.5	90.1	90.7	89.1	88.6	89.2	87.4	85.7	85.7	84
7.5	90.9	91.5	90.6	89.5	90.1	89	87	87	86
11	91.9	92.2	91.4	90.5	91	90	88.4	88.4	87
15	92.5	92.9	92.3	91.3	91.8	91	89.4	89.4	89
18.5	92.9	93.3	92.7	91.8	92.2	91.5	90	90	90
22	93.3	93.6	93.1	92.2	92.6	92	90.5	90.5	90
30	93.9	94.2	93.6	92.9	93.2	92.5	91.4	91.4	91.5
37	94.2	94.5	94	93.3	93.6	93	92	92	92
45	94.6	94.8	94.4	93.7	93.9	93.5	92.5	92.5	92.8
55	94.9	95	94.7	94	94.2	93.8	93	93	92.5
75	95.4	95.5	95	94.6	94.7	94.2	93.6	93.6	93.5
90	95.5	95.7	95.2	95	95	94.5	93.9	93.9	93.8
110	95.8	96.1	95.7	95	95.4	95	94	94.5	94
132	96.1	96.1	95.7	95.4	95.4	95	94.5	94.8	94.2
160	96.1	96.1	95.7	95.4	95.4	95	94.6	94.9	94.5
200	96.1	96.1	95.7	95.4	95.4	95	94.8	94.9	94.5
250	96.1	96.1	95.7	95.8	95.8	95	95.2	95.2	94.5
315	96.1	96.1	-	95.8	95.8	-	95.4	95.2	-

International standard IEC 60034-30:2008 Efficiency classes of three phase induction motors(IE-code)

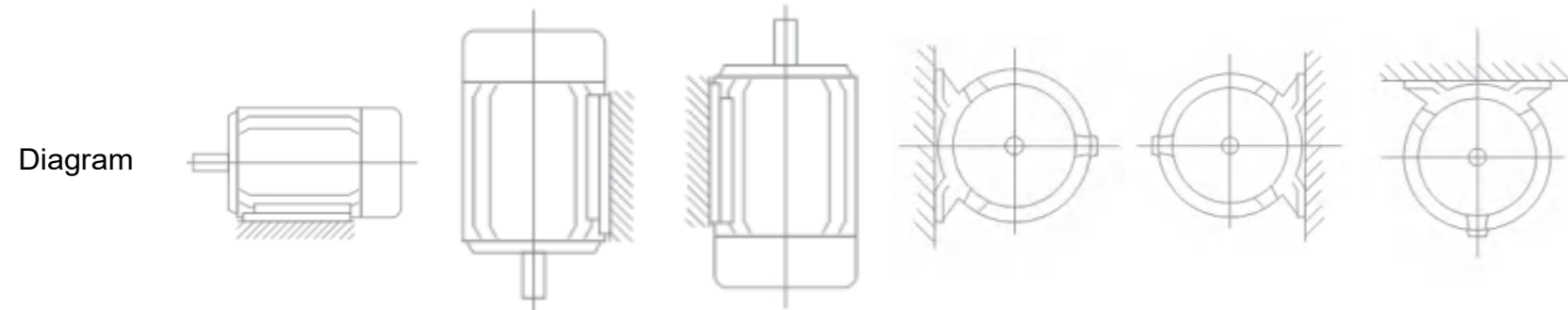
Power (KW)	2 Poles	4 Poles	6 Poles	2 Poles	4 Poles	6 Poles	2 Poles	4 Poles	6 Poles
0.75	72.1	72.1	70	77.4	79.6	75.9	80.7	82.5	78.9
1.1	75	75	72.9	79.6	81.4	78.1	82.7	84.1	81
1.5	77.2	77.2	75.2	81.3	82.8	79.8	84.2	85.3	82.5
2.2	79.7	79.7	77.7	83.2	84.3	81.8	85.9	86.7	84.3
3	81.5	81.5	79.7	84.6	85.5	83.3	87.1	87.7	85.6
4	83.1	83.1	81.4	85.8	86.6	84.6	88.1	88.6	86.8
5.5	84.7	84.7	83.1	87	87.7	86	89.2	89.6	88
7.5	86	86	84.7	88.1	88.7	87.2	90.1	90.4	89.1
11	87.6	87.6	86.4	89.4	89.8	88.7	91.2	91.4	90.3
15	88.7	88.7	87.7	90.3	90.6	89.7	91.9	92.1	91.2
18.5	89.3	89.3	88.6	90.9	91.2	90.4	92.4	92.6	91.7
22	89.9	89.9	89.2	91.3	91.6	90.9	92.7	93	92.2
30	90.7	90.7	90.2	92	92.3	91.7	93.3	93.6	92.9
37	91.2	91.2	90.8	92.5	92.7	92.2	93.7	93.9	93.3
45	91.7	91.7	91.4	92.9	93.1	92.7	94	94.2	93.7
55	92.1	92.1	91.9	93.2	93.5	93.1	94.3	94.6	93.3
75	92.7	92.7	92.6	93.8	94	93.7	94.7	95	94.1
90	93	93	92.9	94.1	94.2	94	95	95.2	94.6
110	93.3	93.3	93.3	94.3	94.5	94.3	95.2	95.4	94.9
132	93.5	93.5	93.5	94.6	94.7	94.6	95.4	95.6	95.4
160	93.8	93.8	93.8	94.8	94.9	94.8	95.6	95.8	95.6
200-375	94	94	94	95	95.1	95	95.8	96	95.8

Bearing size

Frame Size	Poles	Bearing on DE	Bearing on NDE	Bearing on DE	Bearing on NDE
63	2,4	-	-	6201ZZ-C3	6201ZZ-C3
71	2,4,6	-	-	6202ZZ-C3	6202ZZ-C3
80	2,4,6,8	6204ZZ-C3	6204ZZ-C3	6204ZZ-C3	6204ZZ-C3
90	2,4,6,8	6205ZZ-C3	6205ZZ-C3	6205ZZ-C3	6205ZZ-C3
100	2,4,6,8	6206ZZ-C3	6206ZZ-C3	6206ZZ-C3	6206ZZ-C3
112	2,4,6,8	6306ZZ-C3	6306ZZ-C3	6306ZZ-C3	6306ZZ-C3
132	2,4,6,8	6308ZZ-C3	6308ZZ-C3	6208ZZ-C3	6208ZZ-C3
160	2,4,6,8	63209ZZ-C3 6309ZZ-C3	6309ZZ-C3 6309ZZ-C3	6209ZZ-C3 6309ZZ-C3	6209ZZ-C3 6309ZZ-C3
180	2,4,6,8	6311-C3 6311-C3	6311-C3 6311-C3	6211-C3 6311-C3	6211-C3 6311-C3
200	2,4,6,8	6312-C3 6312-C3	6312-C3 6312-C3	6212-C3 6312-C3	6212-C3 6312-C3
225	2,4,6,8	6313-C3 6313-C3	6313-C3 6313-C3	6312-C3 6313-C3	6312-C3 6313-C3
250	2,4,6,8	6314-C3 6314-C3	6314-C3 6314-C3	6313-C3 6314-C3	6313-C3 6314-C3
280	2,4,6,8,10	6314-C3 6317-C3	6314-C3 6314-C3	6314-C3 6317-C3	6314-C3 6314-C3
315	2,4,6,8,10	6316-C3 NU319-C3	6316-C3 6319-C3	6317-C3 NU6319-C3	6317-C3 6319-C3
355	2,4,6,8,10	6319-C3 NU322-C3	6319-C3 6322-C3	6319-C3 NU322-C3	6319-C3 6322-C3
400	2,4,6,8,10	-	-	NU324-C3 NU326-C3	6324-C3 6326-C3

Mounting arrangements According to IEC 60034-7 standard

Mounting arrangements	Feet mounting without Flange					
	B3(IM1001)	V5(IM1011)	V6(IM1031)	B6(IM1051)	B7(IM1061)	B8(IM1071)
Range	H63-H355	H63-H160	H63-H160	H63-H160	H63-H160	H63-H160



Mounting arrangements	Feet mounting without Flange					
	B5(IM3001)	V1(IM3011)	V3(IM3031)	B35(IM2001)	V15(IM2011)	V36(IM2031)
Range	H63-H280	H63-H355	H63-H160	H63-H355	H63-H160	H63-H160



Mounting arrangements	Feet mounting without Flange					
	B14(IM3601)	V18(IM3611)	V19(IM3631)	B34(IM2101)	V58(IM2111)	V69(IM2131)
Range	H63-H132	H63-H132	H63-H132	H63-H132	H63-H132	H63-H132

