



***Professional HVAC Fan
& Motors Manufacturer***

— AC Axial Flow Fan



Website

Ningbo Longwell Electric Technology Co.,Ltd

TEL:+86 (574) 6218 9863

Skype : Brucehappy1

Fax:+86 18358274663

Whatsapp:+0086 18358274663

E-mail:sales@zjlongwell.com

Web:https://www.longwellfans.com/

Address:#NO.100 ,South of Xuxiang River ,Ditang District, Yuyao,Ningbo
Zhejiang Province,China 315400

Ningbo Longwell Electric Technology CO, LTD

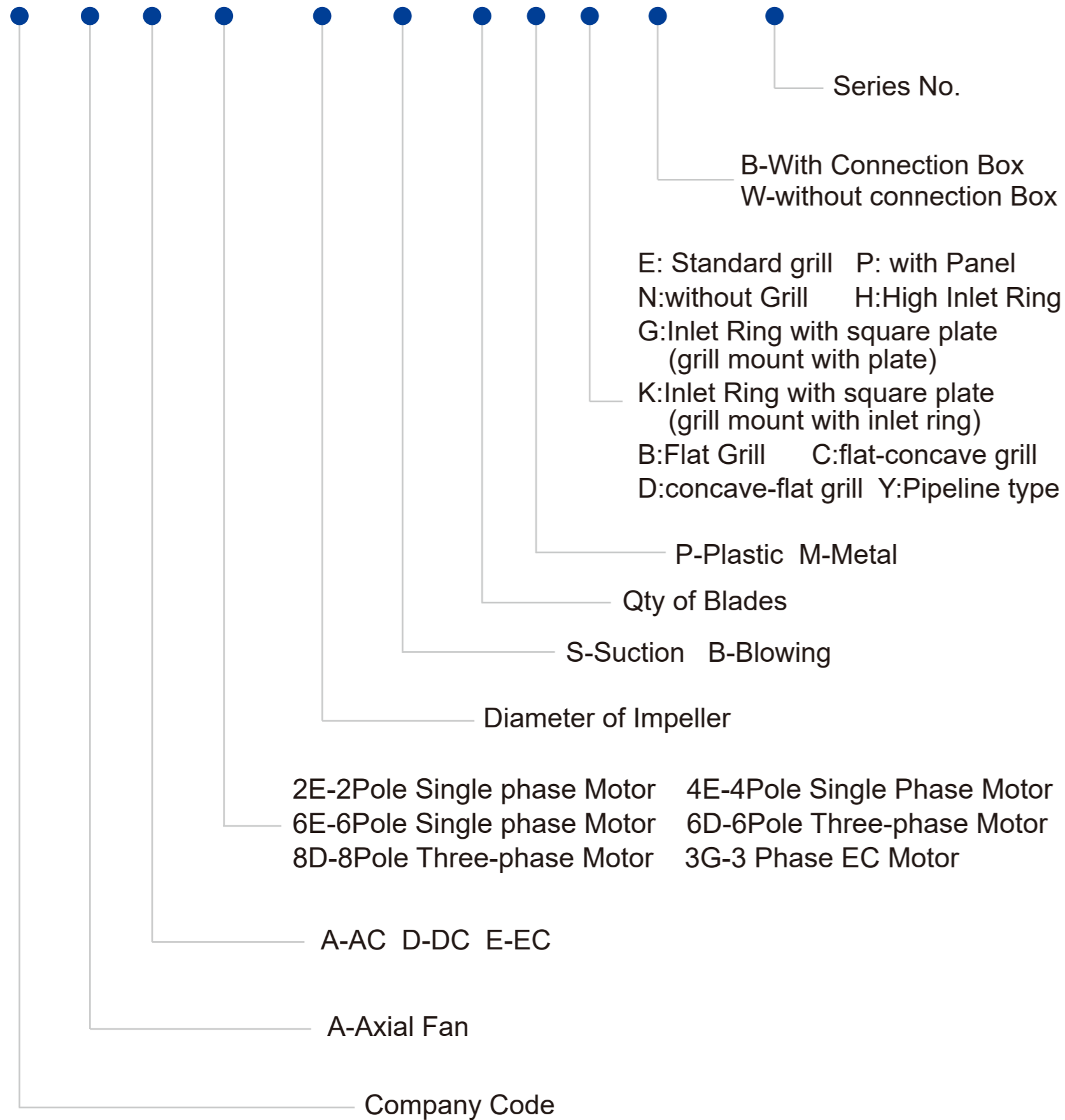


CATALOGUE

| | |
|-------|--|
| 01 | Type Code |
| 02-12 | AC Axial Flow Fan(Φ 200- Φ 300) |
| 13-28 | AC Axial Flow Fan(Φ 350- Φ 500) |
| 29-40 | AC Axial Flow Fan(Φ 550- Φ 910) |

Type Code

LW A A 2D 145 S - 5 M N W - 01



AC Axial Flow Fan

Professional HVAC Fan & Motors Manufacturer



LWAA-200 Serise

Product Characteristic

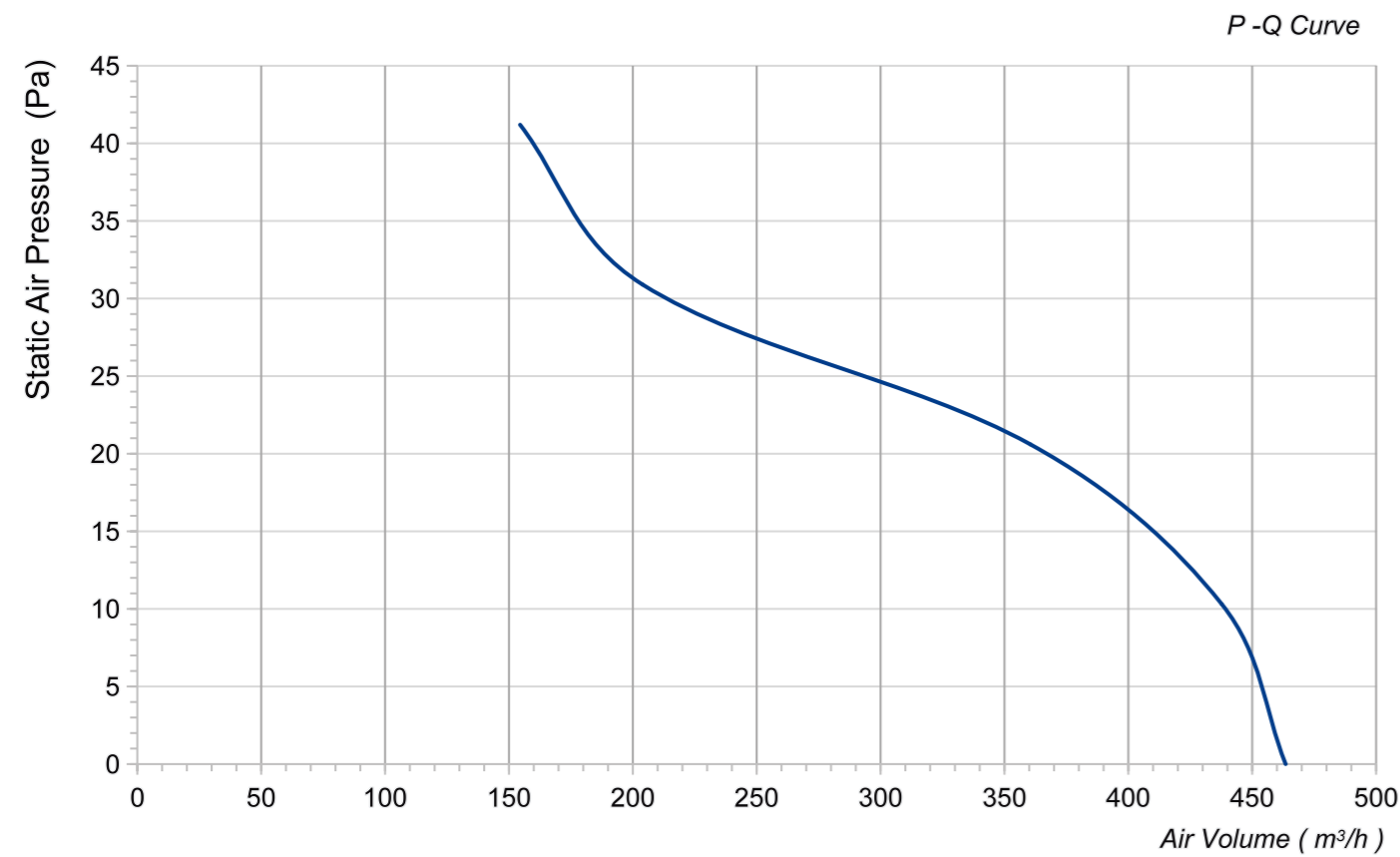
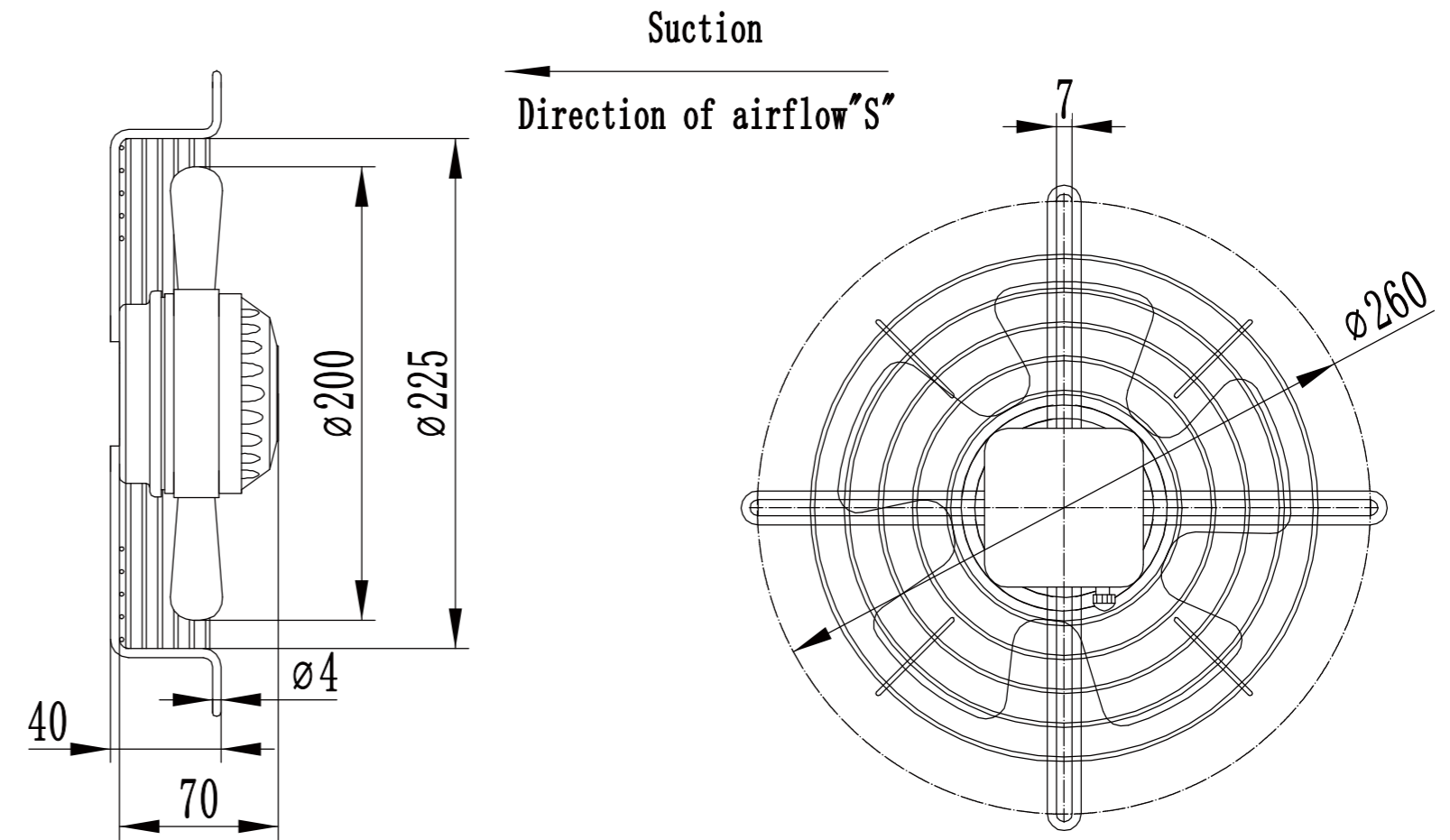
- Blades : Cold rolled steel
- Number of blades: 5
- Mode of operation: S1
- Type of protection: IP54
- Insulation class: F
- Operation Temperature: -40 C ~ +60 C



Technical Specifications

| Model | Voltage (V) | Frequency (Hz) | Current (A) | Power (W) | Speed (RPM) | Air Volume (m³/h) | Capacitor (uF) | Noise [dB(A)] | Curve |
|--------------------|-------------|----------------|-------------|-----------|-------------|-------------------|----------------|---------------|-------|
| LWAA4E200S-5MEW-19 | 220 | 50 | 0.21 | 50 | 1370 | 464 | 2 | / | / |

Product Drawing (mm)



LWAA-250 Serie

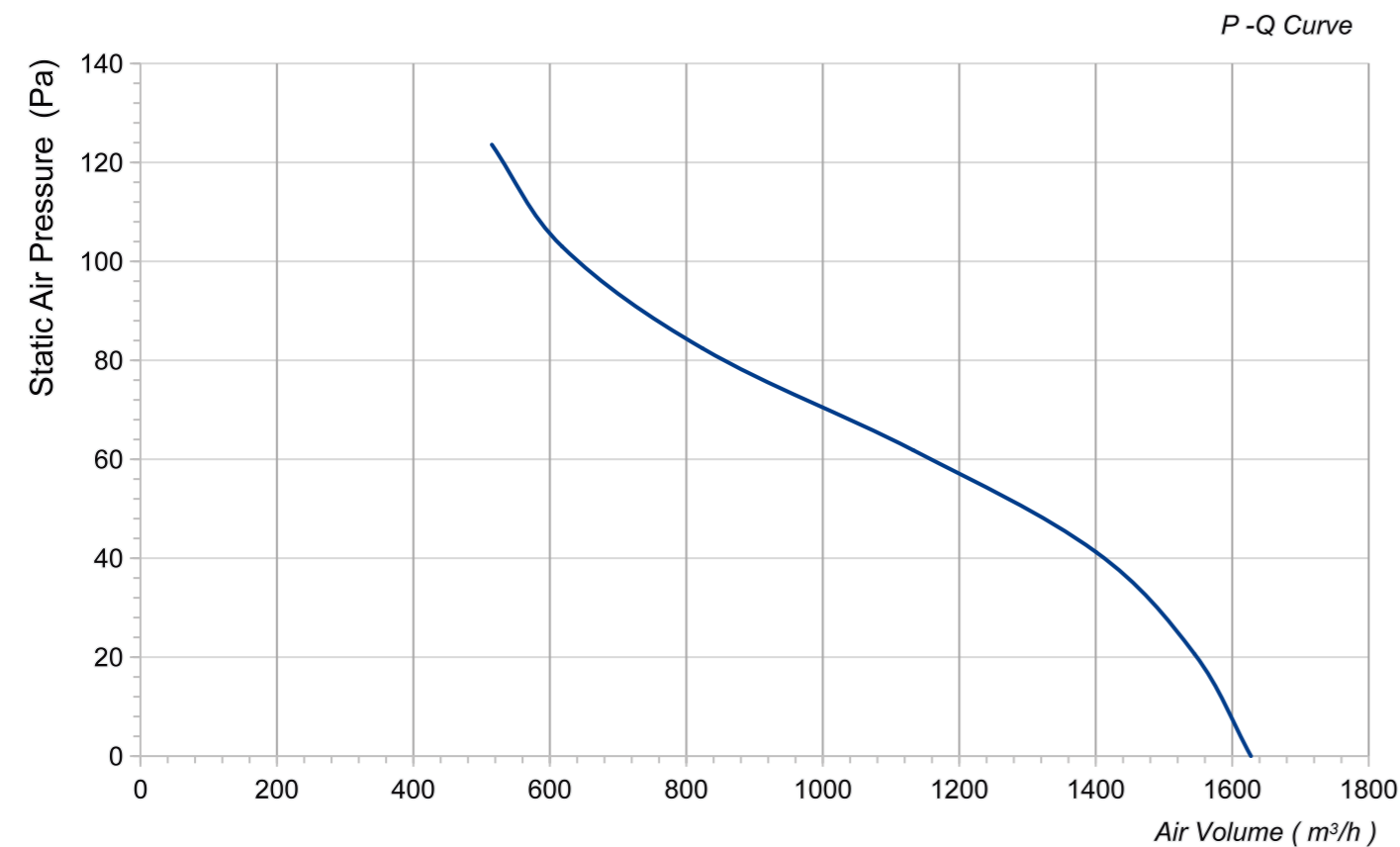
Product Characteristic

- Blades : Cold rolled steel
- Number of blades: 5
- Mode of operation: S1
- Type of protection: IP54
- Insulation class: F
- Operation Temperature: -40 C ~ +60 C

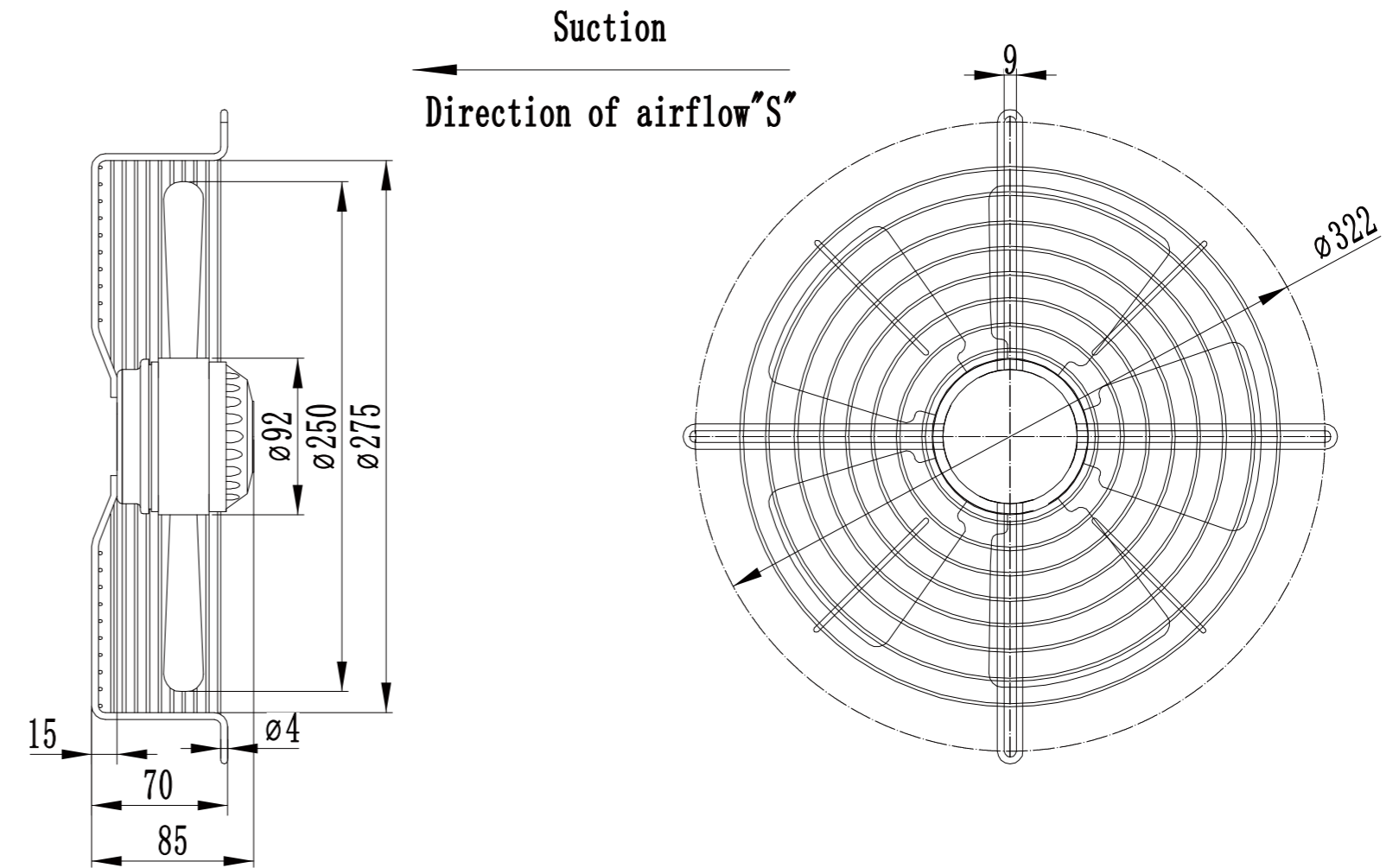


Technical Specifications

| Model | Voltage (V) | Frequency (Hz) | Current (A) | Power (W) | Speed (RPM) | Air Volume (m³/h) | Capacitor (uF) | Noise [dB(A)] | Curve |
|--------------------|-------------|----------------|-------------|-----------|-------------|-------------------|----------------|---------------|-------|
| LWAA2E250S-5MEW-22 | 220 | 50 | 0.44 | 100 | 2550 | 1627 | / | / | / |



Product Drawing (mm)



LWAA-250 Serise

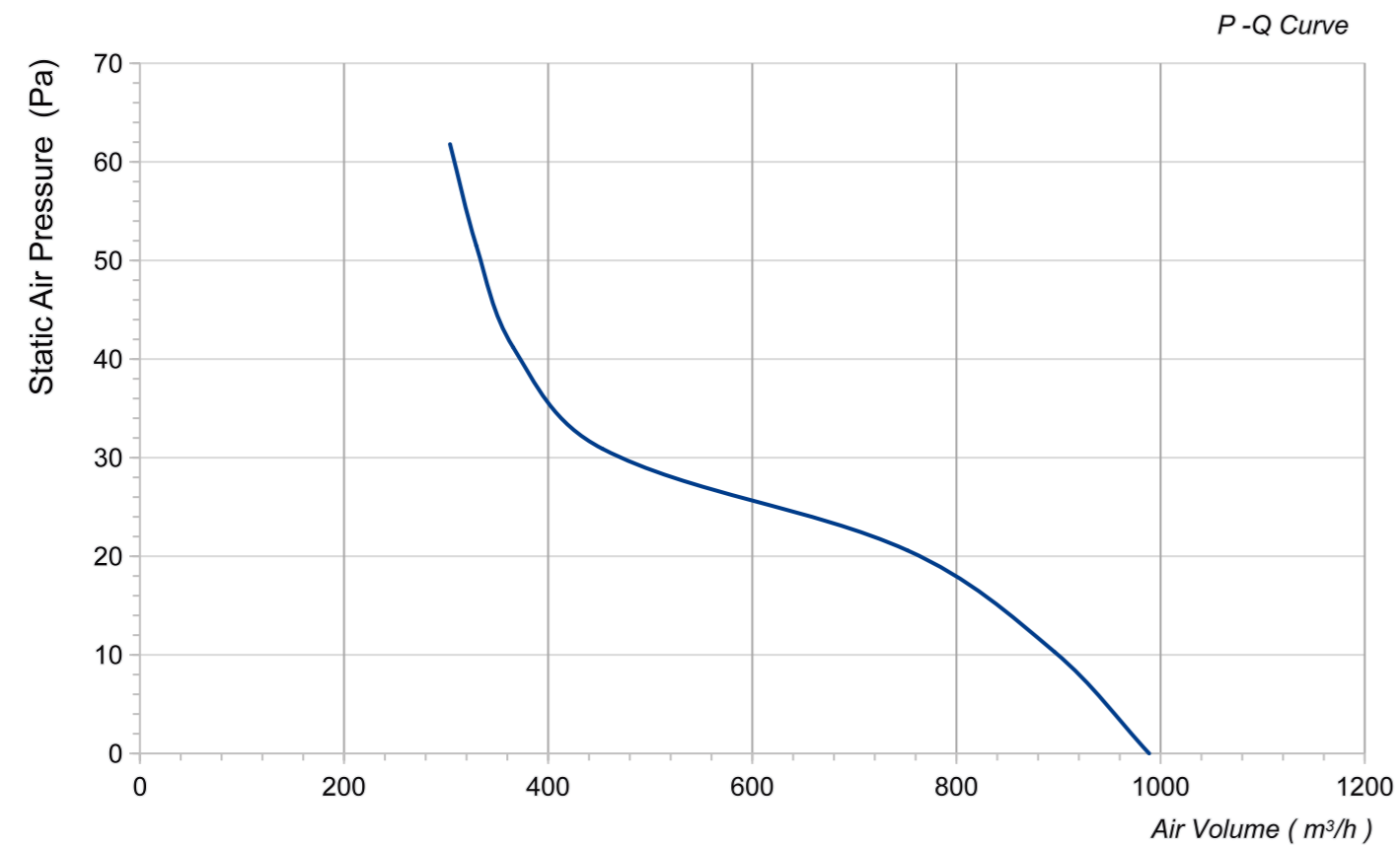
Product Characteristic

- Blades : Cold rolled steel
- Number of blades: 5
- Mode of operation: S1
- Type of protection: IP54
- Insulation class: F
- Operation Temperature: -40 C ~ +60 C

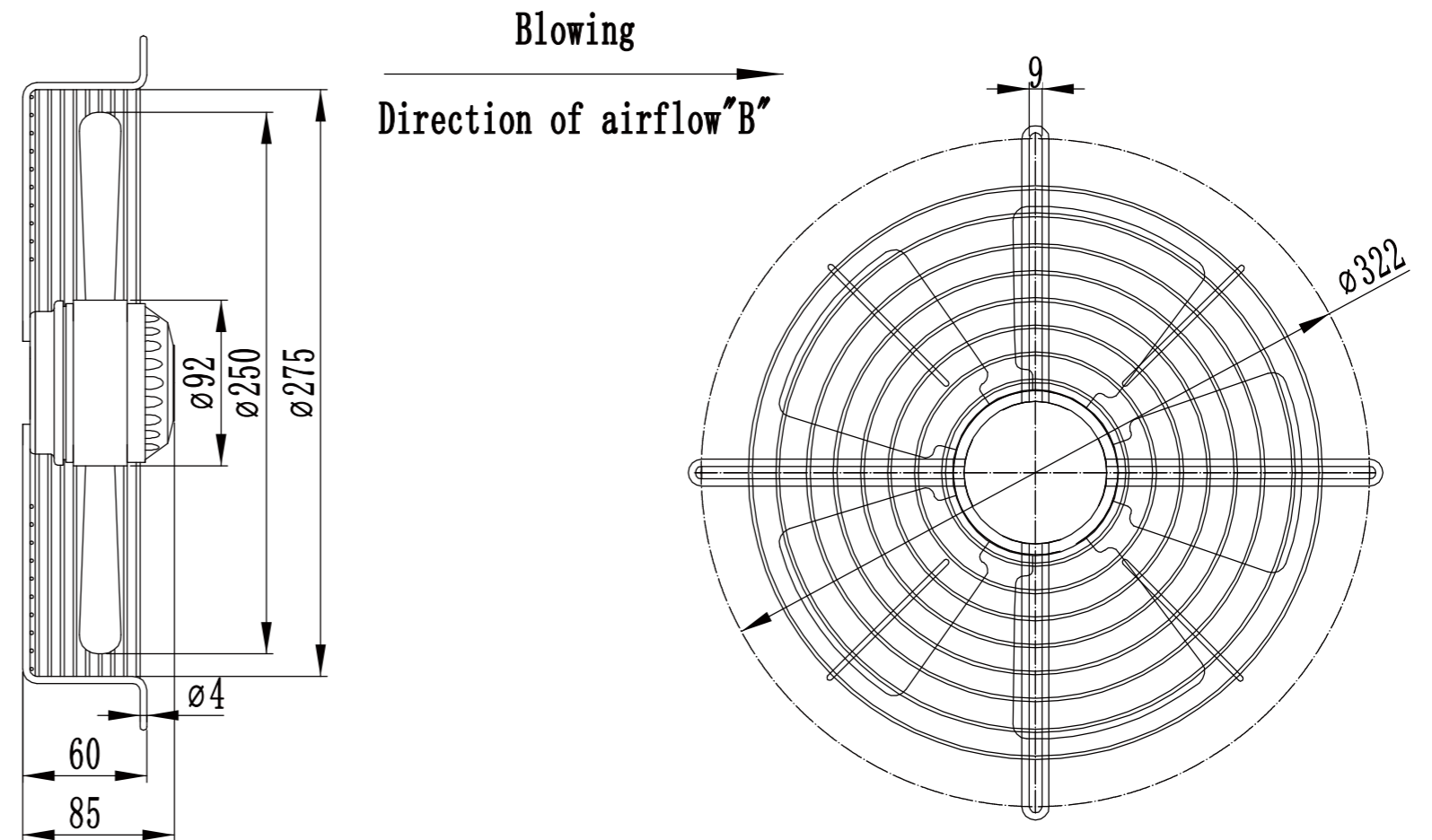


Technical Specifications

| Model | Voltage (V) | Frequency (Hz) | Current (A) | Power (W) | Speed (RPM) | Air Volume (m³/h) | Capacitor (uF) | Noise [dB(A)] | Curve |
|--------------------|-------------|----------------|-------------|-----------|-------------|-------------------|----------------|---------------|-------|
| LWAA4E250B-5MEW-23 | 220 | 50 | 0.23 | 58 | 1450 | 989 | / | / | / |



Product Drawing (mm)



LWAA-300 Serise

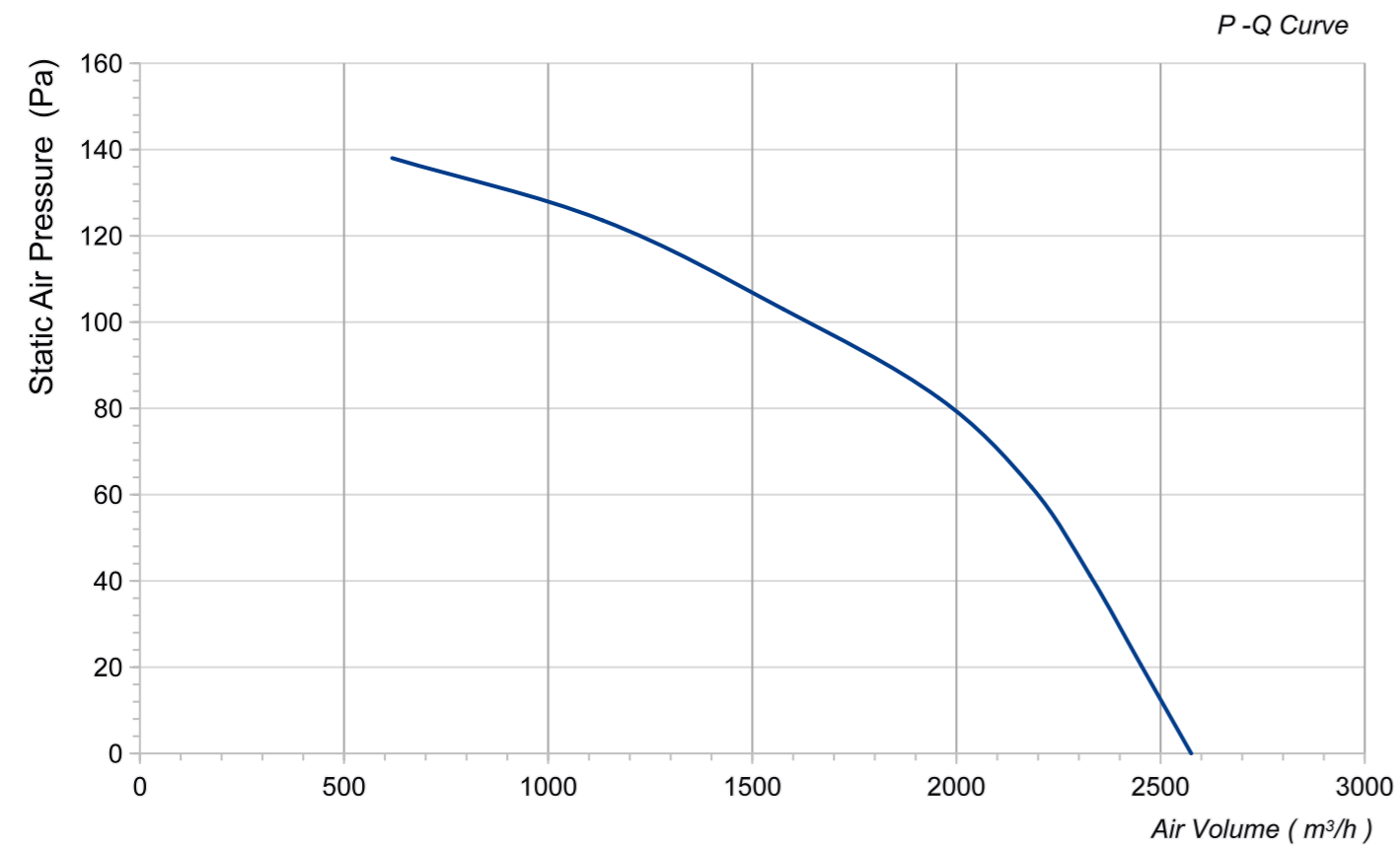
Product Characteristic

- Blades : Cold rolled steel
- Number of blades: 5
- Mode of operation: S1
- Type of protection: IP54
- Insulation class: F
- Operation Temperature: -40 C ~ +60 C

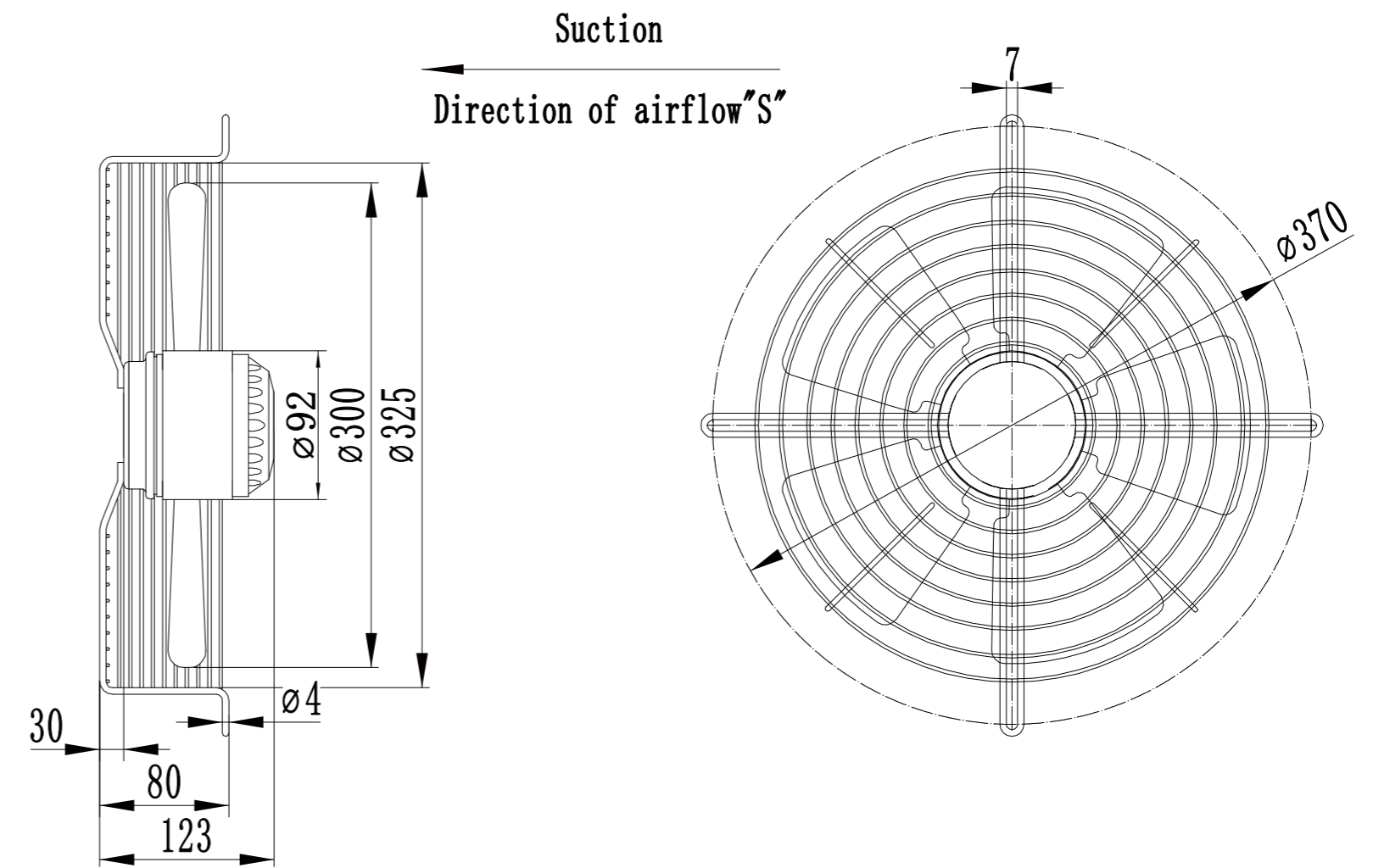


Technical Specifications

| Model | Voltage (V) | Frequency (Hz) | Current (A) | Power (W) | Speed (RPM) | Air Volume (m³/h) | Capacitor (uF) | Noise [dB(A)] | Curve |
|--------------------|-------------|----------------|-------------|-----------|-------------|-------------------|----------------|---------------|-------|
| LWAA2E300S-5MEW-14 | 220 | 50 | 0.82 | 180 | 2300 | 2575 | / | / | / |



Product Drawing (mm)



LWAA-350 Serise

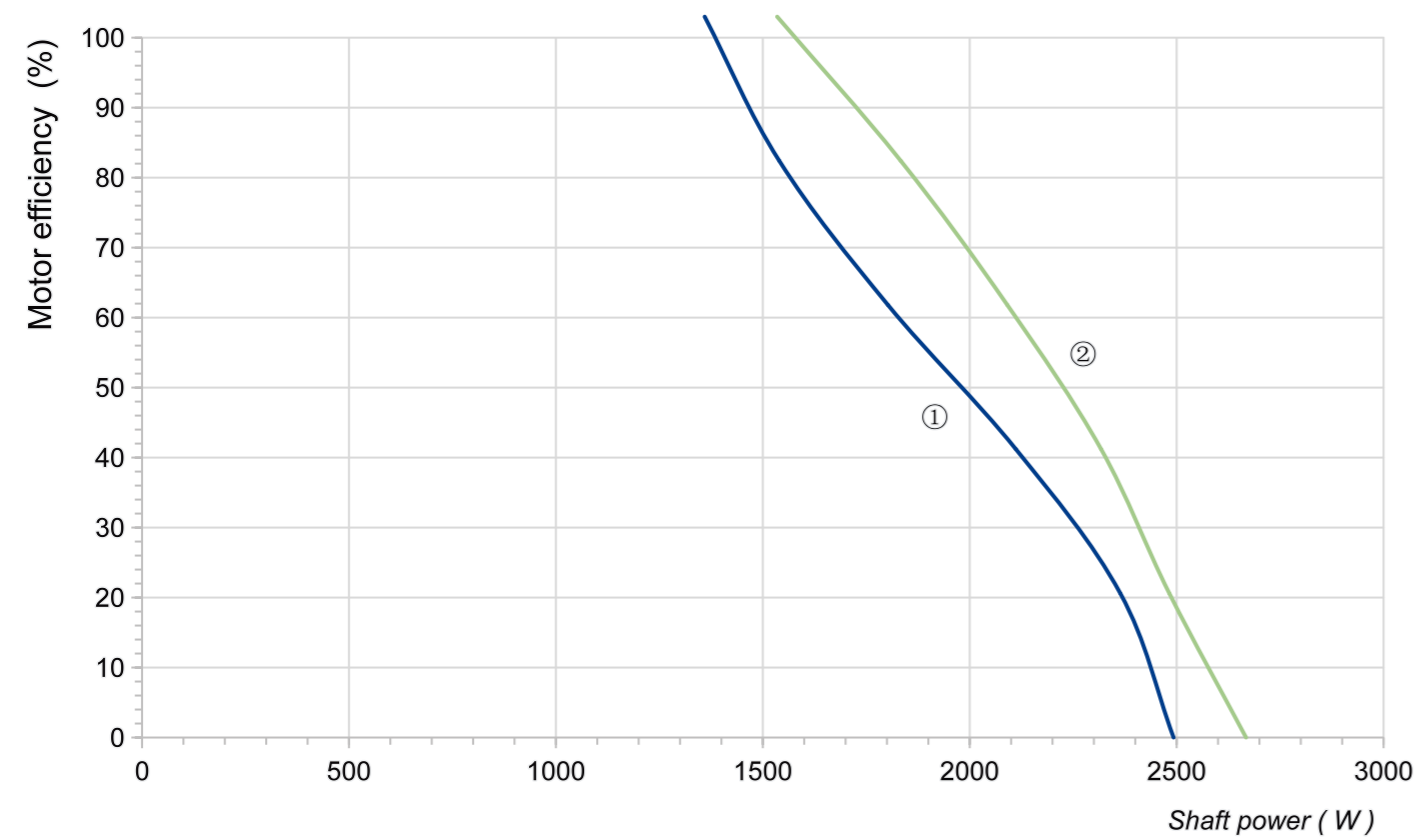
Product Characteristic

- Blades : Cold rolled steel
- Number of blades: 5
- Mode of operation: S1
- Type of protection: IP54
- Insulation class: F
- Operation Temperature: -40 C ~ +60 C

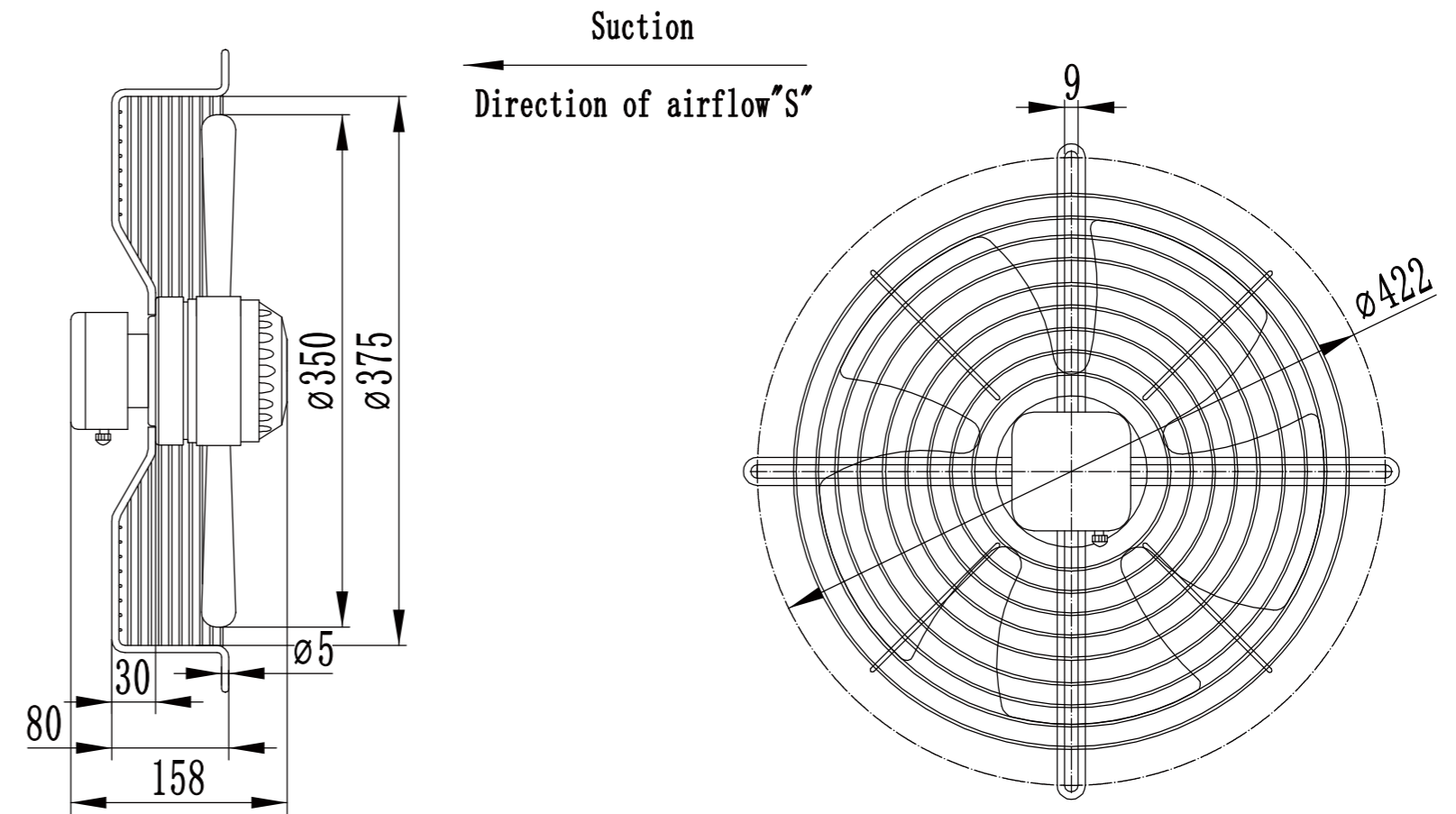


Technical Specifications

| Model | Voltage (V) | Frequency (Hz) | Current (A) | Power (W) | Speed (RPM) | Air Volume (m³/h) | Capacitor (uF) | Noise [dB(A)] | Curve |
|--------------------|-------------|----------------|-------------|-----------|-------------|-------------------|----------------|---------------|-------|
| LWAA4E350S-5MEB-17 | 220 | 50 | 0.6 | 150 | 1380 | 2493 | 5 | / | ① |
| | 220 | 60 | 0.6 | 180 | 1530 | 2668 | 5 | / | ② |



Product Drawing (mm)



LWAA-350 Serise

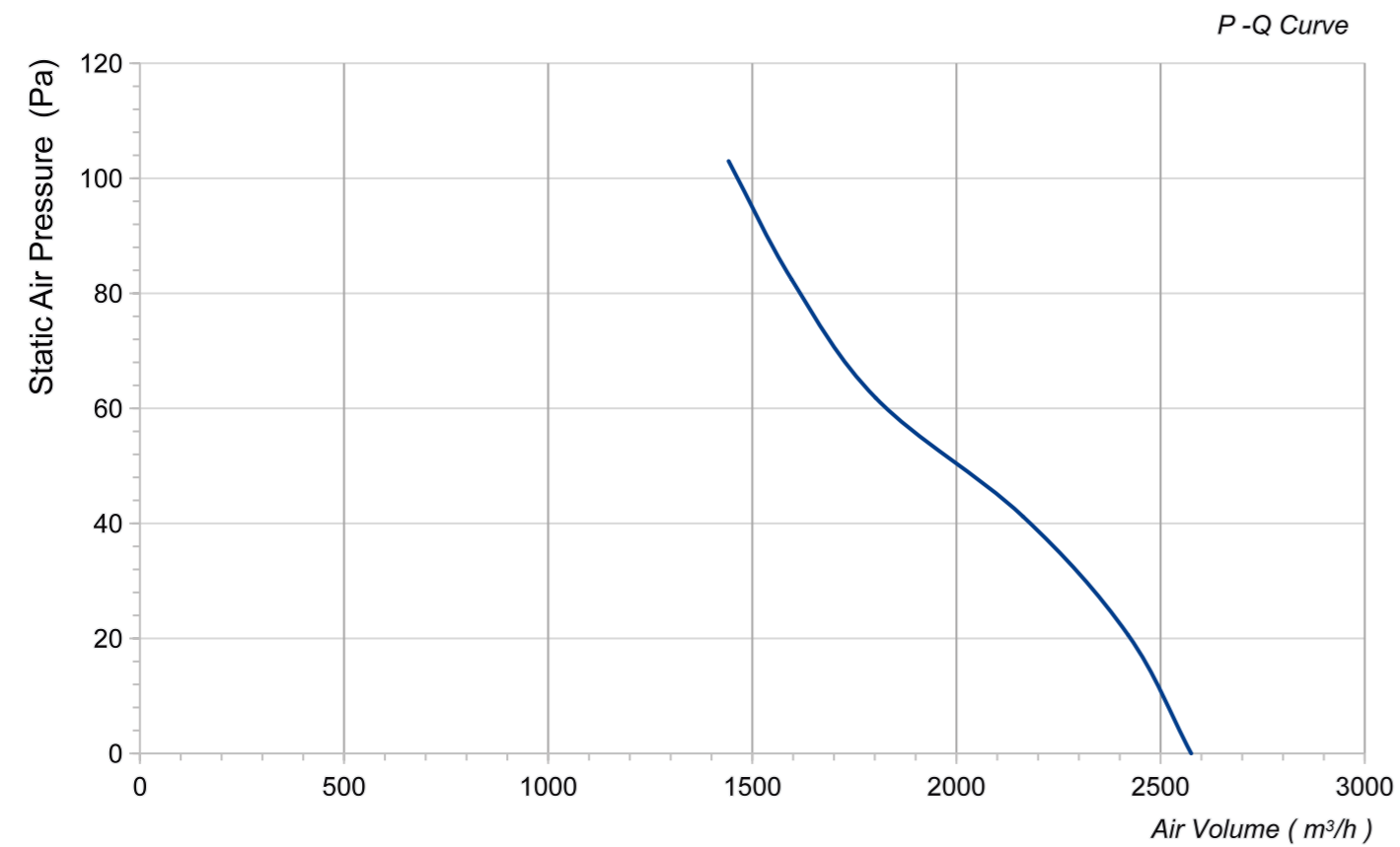
Product Characteristic

- Blades : Cold rolled steel
- Number of blades: 5
- Mode of operation: S1
- Type of protection: IP44
- Insulation class: F
- Operation Temperature: -40 C ~ +60 C

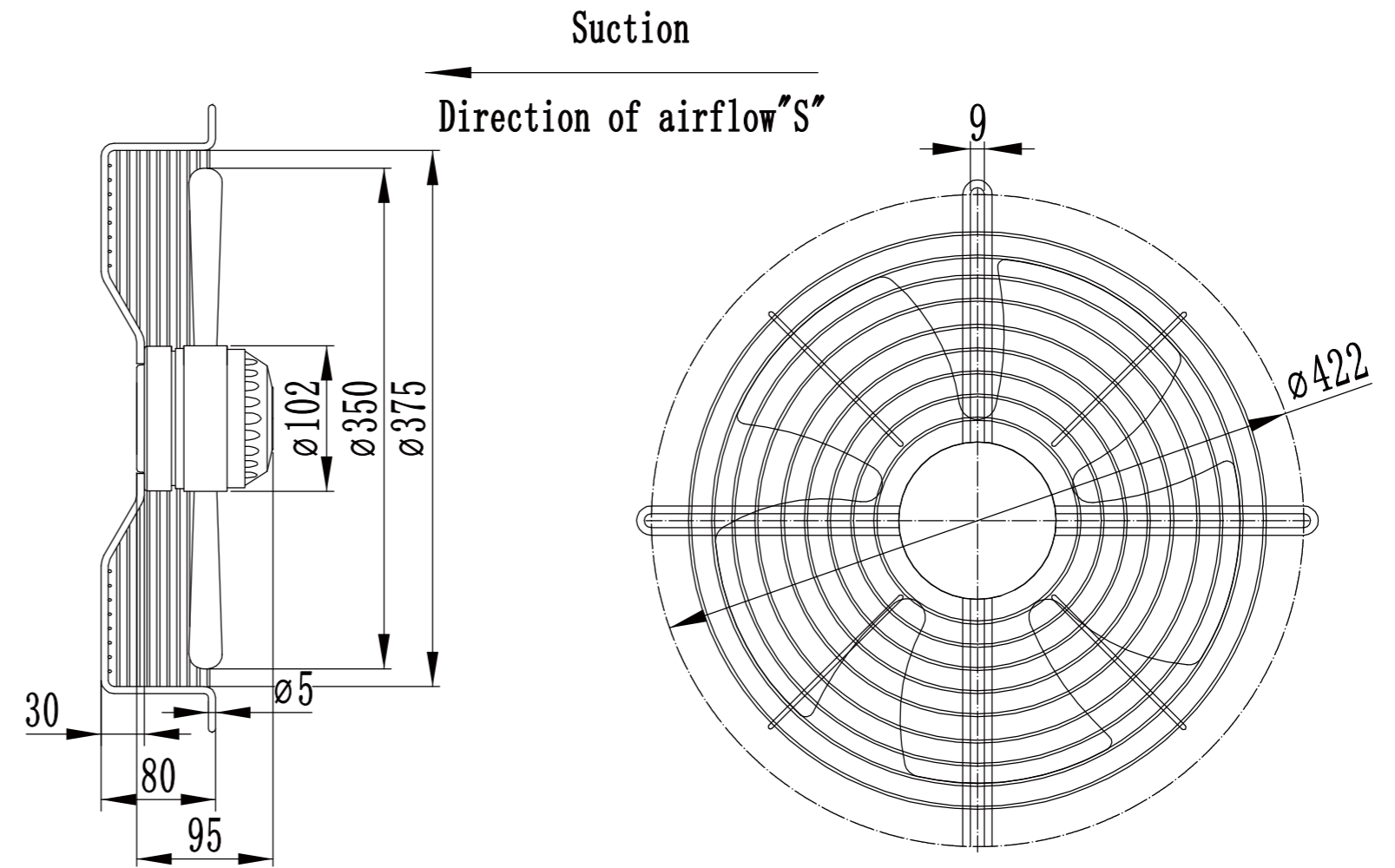


Technical Specifications

| Model | Voltage (V) | Frequency (Hz) | Current (A) | Power (W) | Speed (RPM) | Air Volume (m³/h) | Capacitor (uF) | Noise [dB(A)] | Curve |
|--------------------|-------------|----------------|-------------|-----------|-------------|-------------------|----------------|---------------|-------|
| LWAA4D350S-5MEW-18 | 380 | 50 | 0.35 | 150 | 1400 | 2575 | / | / | / |



Product Drawing (mm)



LWAA-400 Serise

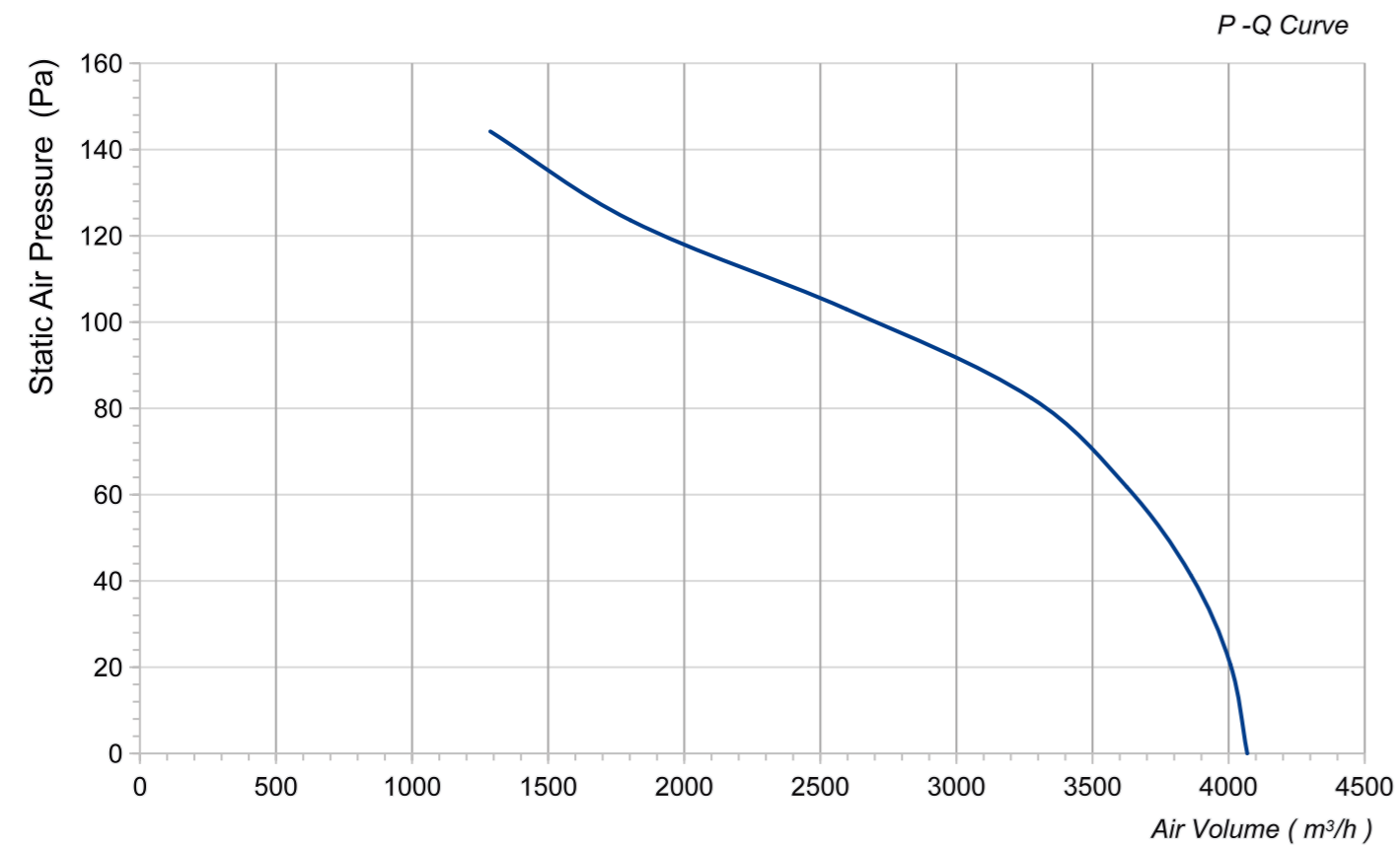
Product Characteristic

- Blades : Cold rolled steel
- Number of blades: 5
- Mode of operation: S1
- Type of protection: IP54
- Insulation class: F
- Operation Temperature: -40 C ~ +60 C

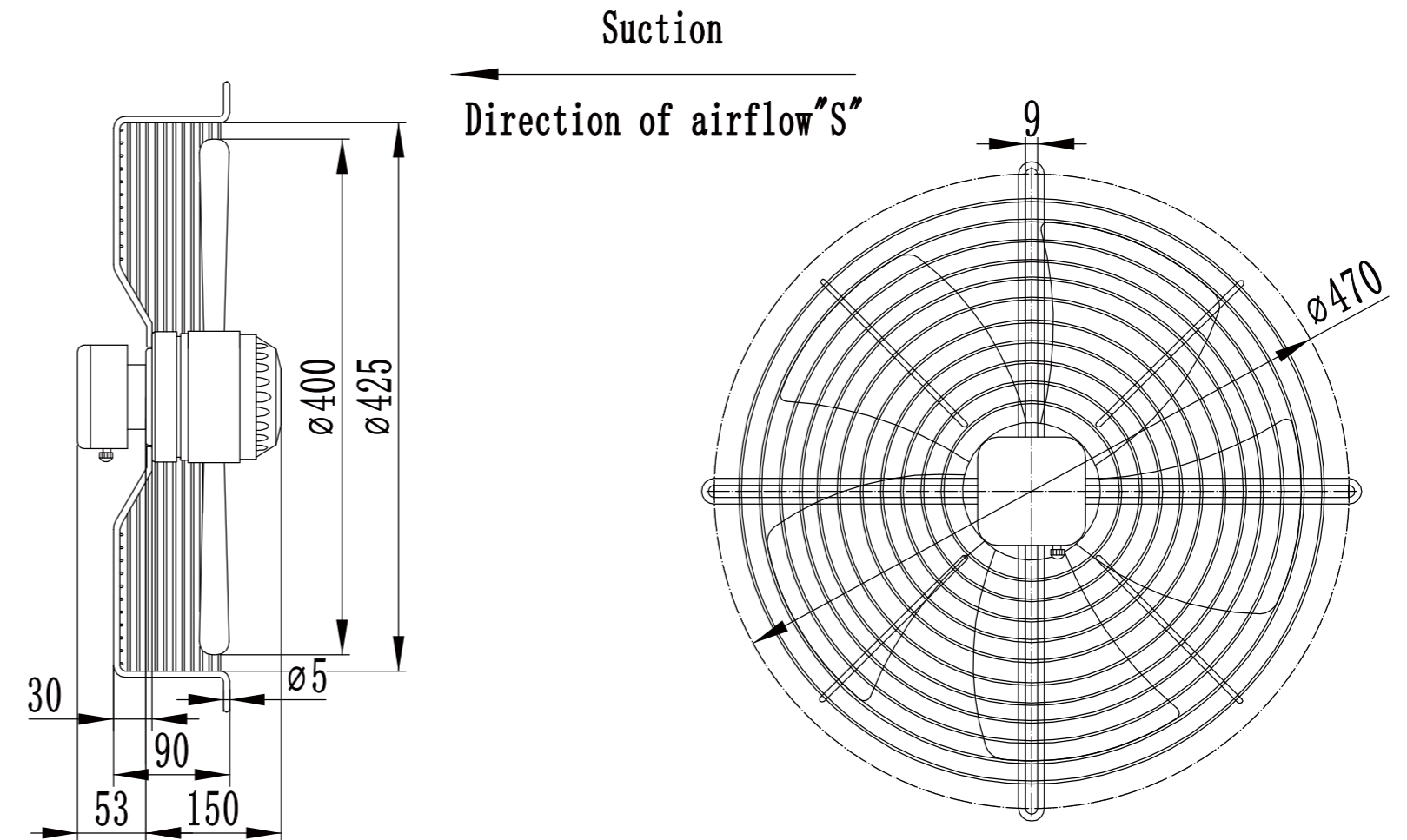


Technical Specifications

| Model | Voltage (V) | Frequency (Hz) | Current (A) | Power (W) | Speed (RPM) | Air Volume (m³/h) | Capacitor (uF) | Noise [dB(A)] | Curve |
|--------------------|-------------|----------------|-------------|-----------|-------------|-------------------|----------------|---------------|-------|
| LWAA4E400S-5MEB-21 | 220 | 50 | 0.85 | 180 | 1350 | 4069 | 6 | / | / |



Product Drawing (mm)



LWAA-400 Serise

Product Characteristic

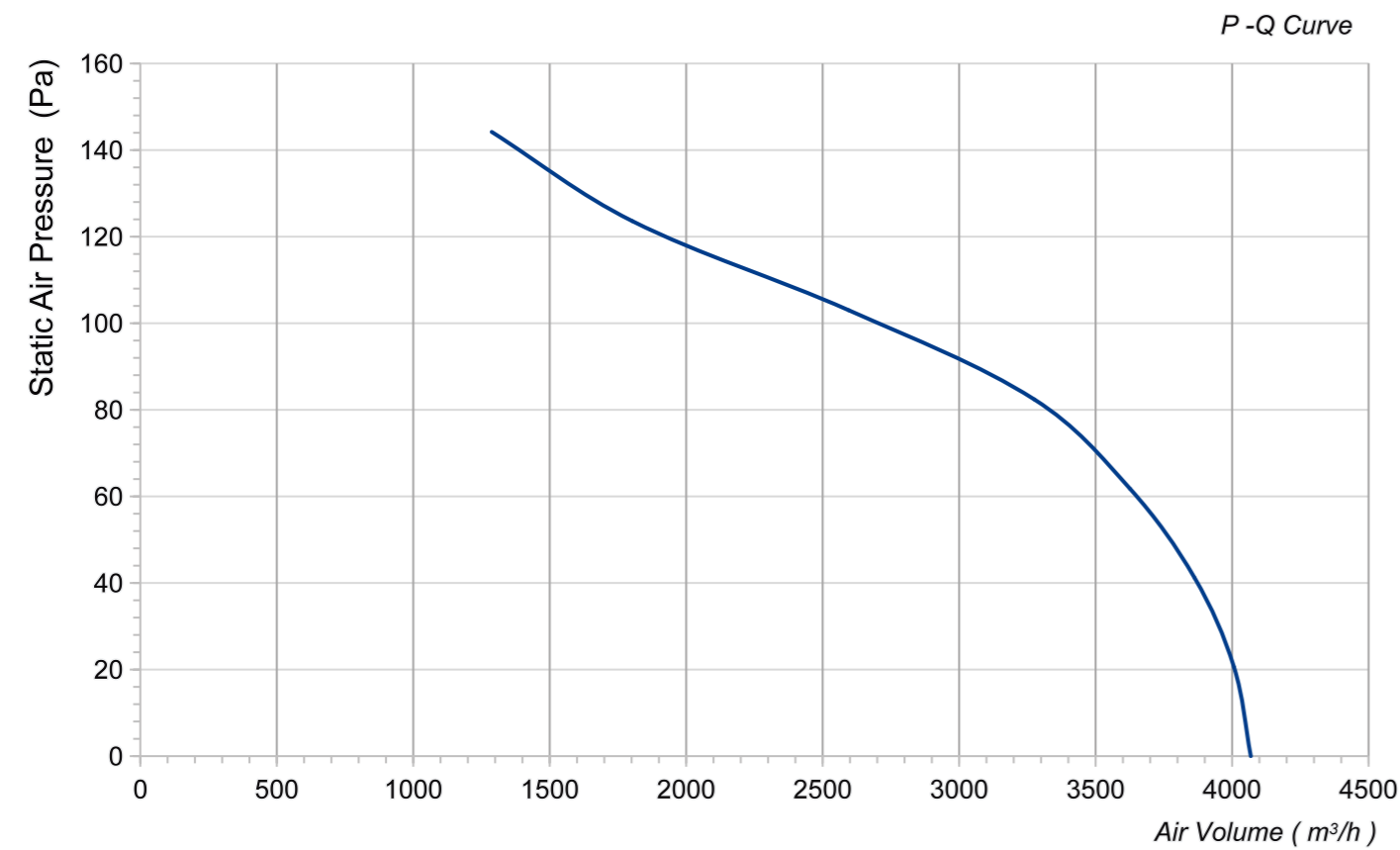
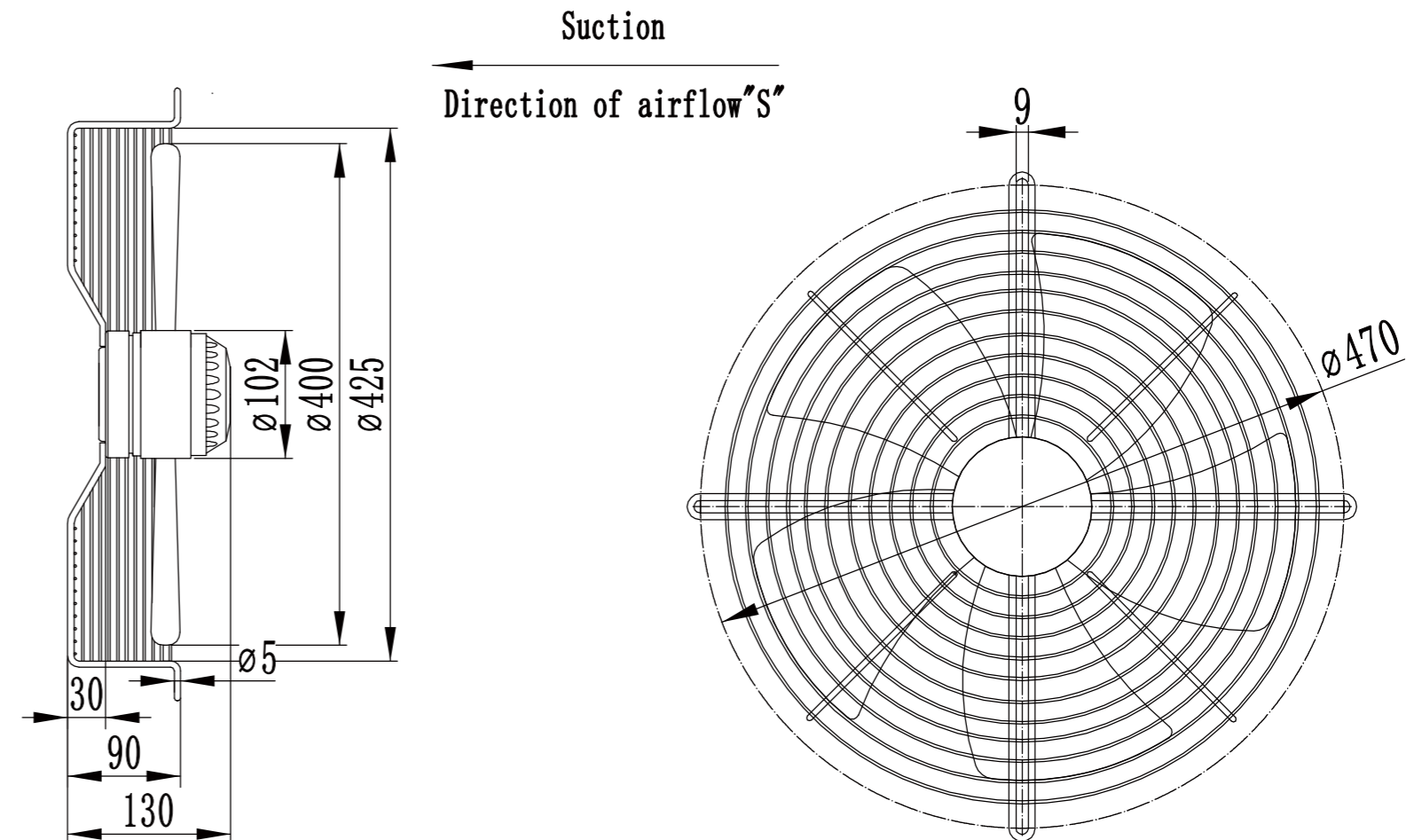
- Blades : Cold rolled steel
- Number of blades: 5
- Mode of operation: S1
- Type of protection: IP54
- Insulation class: F
- Operation Temperature: -40 C ~ +60 C



Technical Specifications

| Model | Voltage (V) | Frequency (Hz) | Current (A) | Power (W) | Speed (RPM) | Air Volume (m³/h) | Capacitor (uF) | Noise [dB(A)] | Curve |
|--------------------|-------------|----------------|-------------|-----------|-------------|-------------------|----------------|---------------|-------|
| LWAA4D400S-5MEW-22 | 380 | 50 | 0.5 | 180 | 1400 | 4069 | / | / | / |

Product Drawing (mm)



LWAA-450 Serise

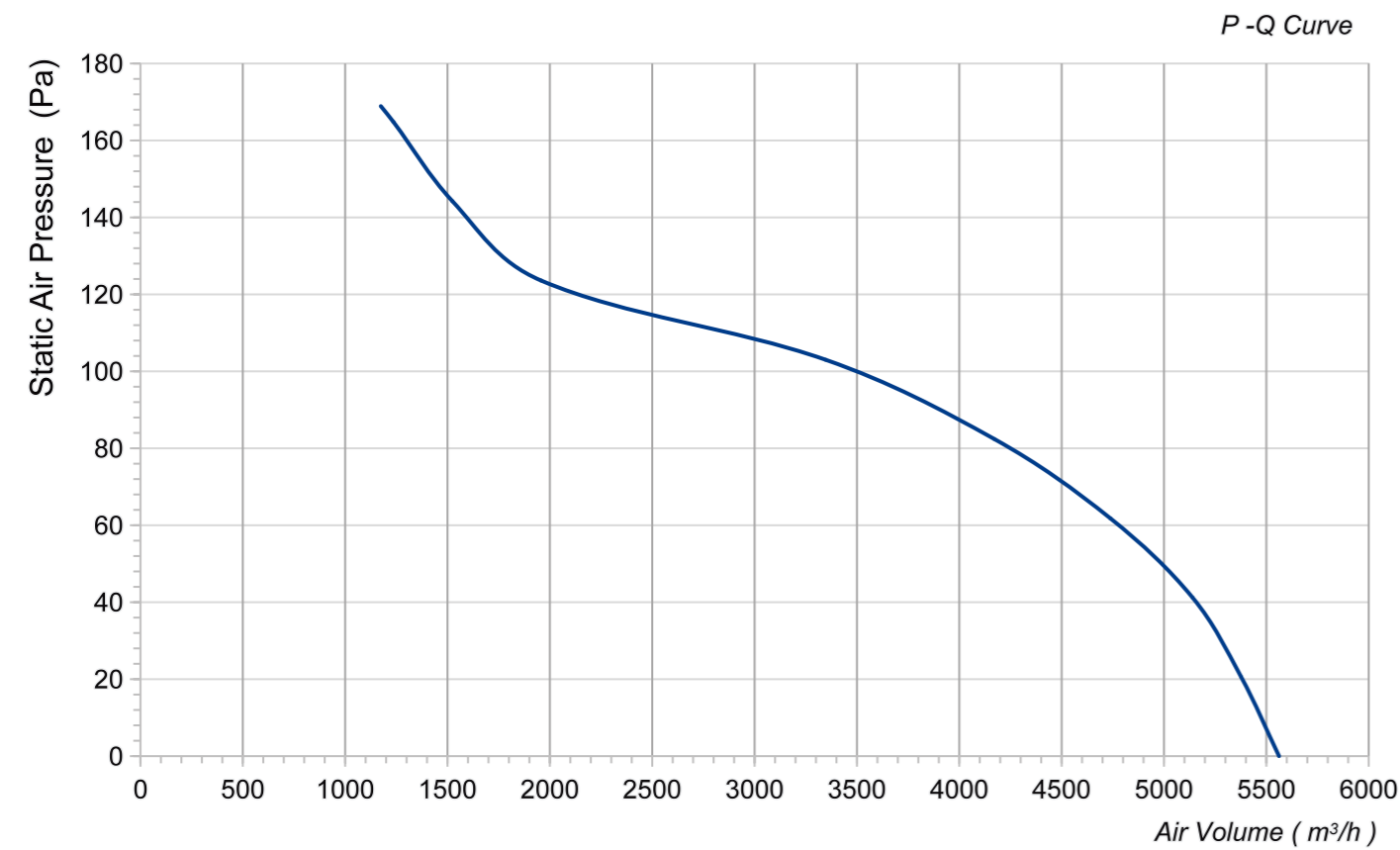
Product Characteristic

- Blades : Cold rolled steel
- Number of blades: 5
- Mode of operation: S1
- Type of protection: IP44
- Insulation class: F
- Operation Temperature: -40 C ~ +60 C

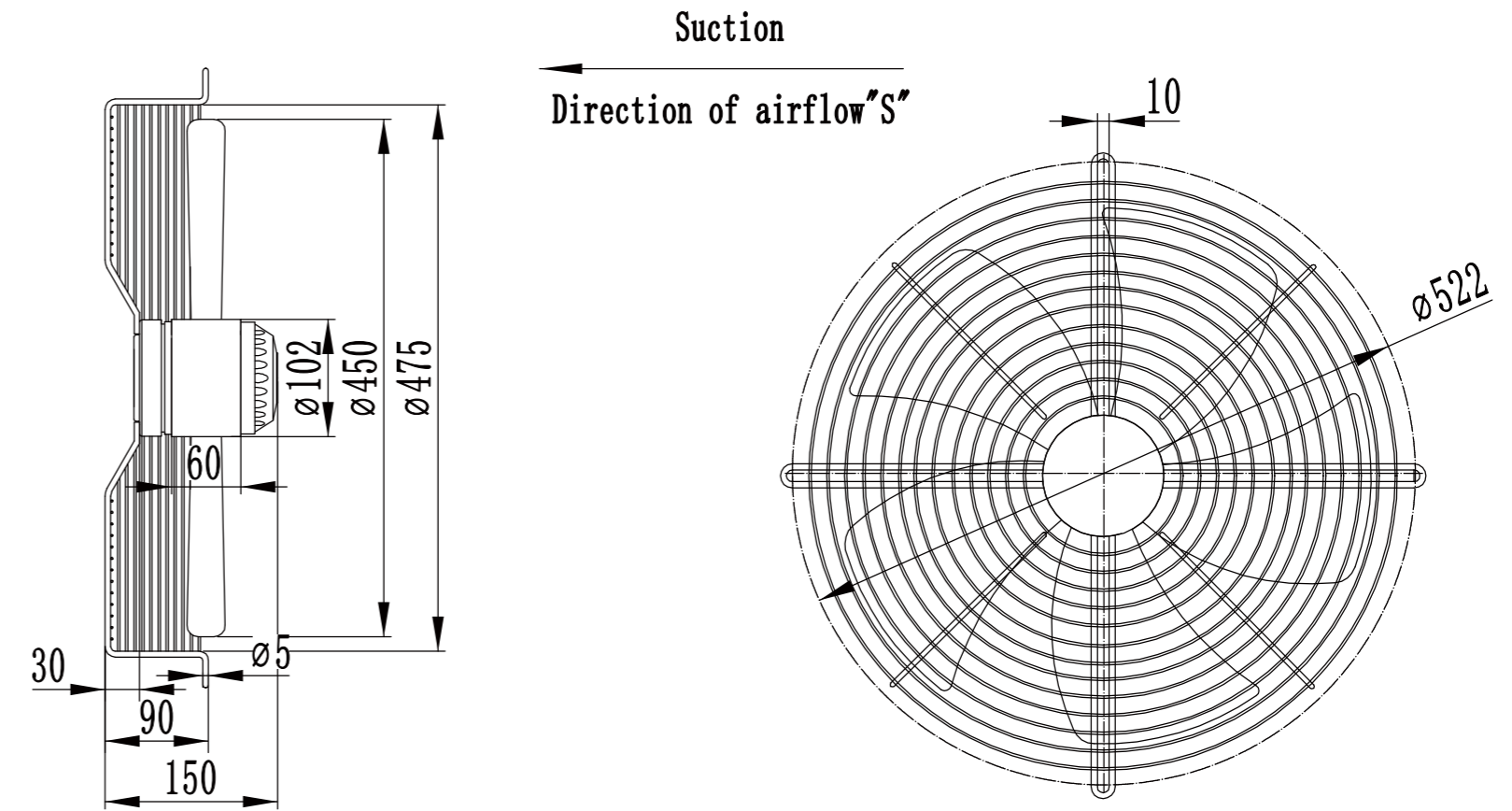


Technical Specifications

| Model | Voltage (V) | Frequency (Hz) | Current (A) | Power (W) | Speed (RPM) | Air Volume (m³/h) | Capacitor (uF) | Noise [dB(A)] | Curve |
|--------------------|-------------|----------------|-------------|-----------|-------------|-------------------|----------------|---------------|-------|
| LWAA4E450S-5MEW-22 | 220 | 50 | 1.2 | 280 | 1350 | 5562 | / | / | / |



Product Drawing (mm)



LWAA-450 Serise

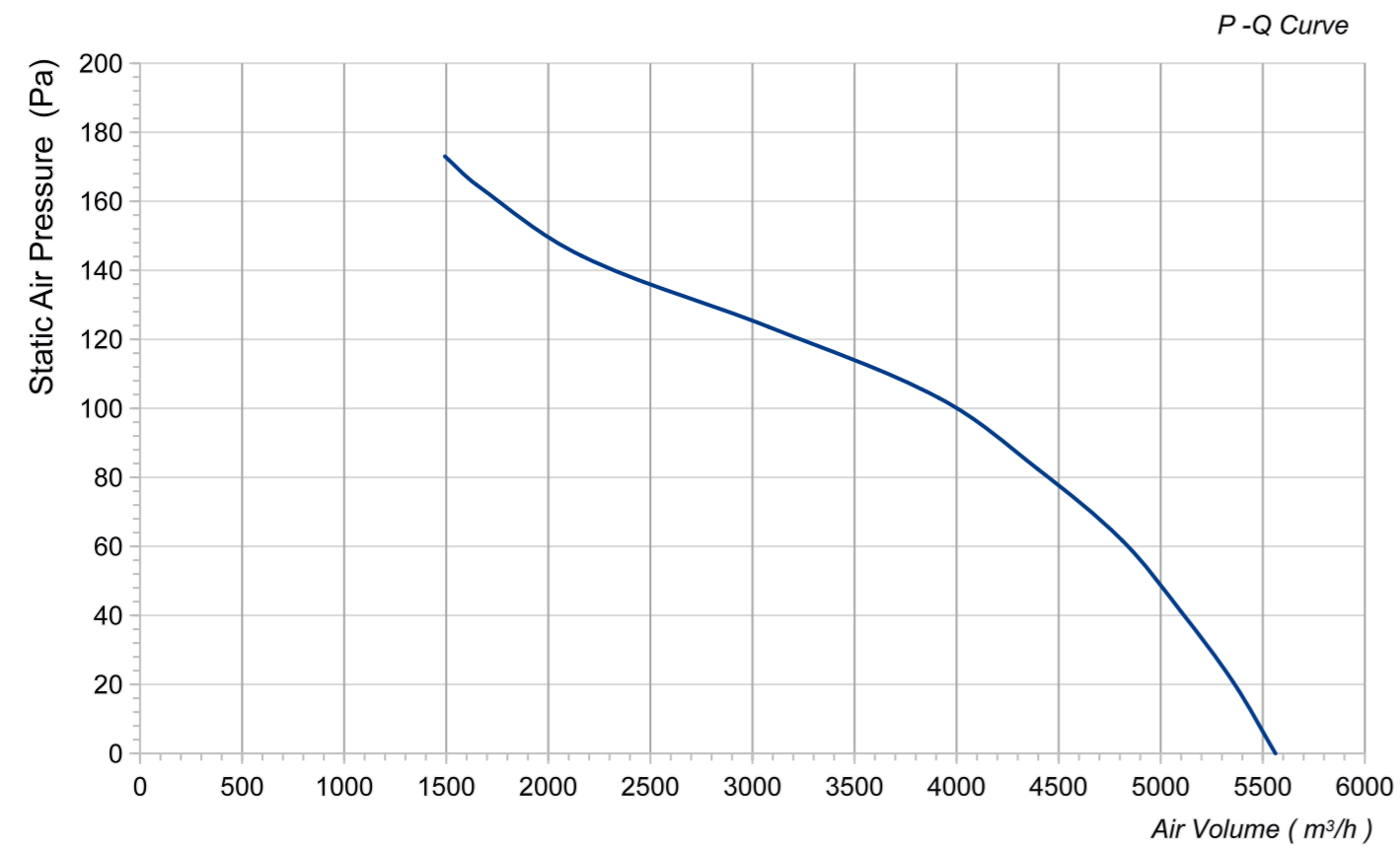
Product Characteristic

- Blades : Cold rolled steel
- Number of blades: 5
- Mode of operation: S1
- Type of protection: IP54
- Insulation class: F
- Operation Temperature: -40 C ~ +60 C

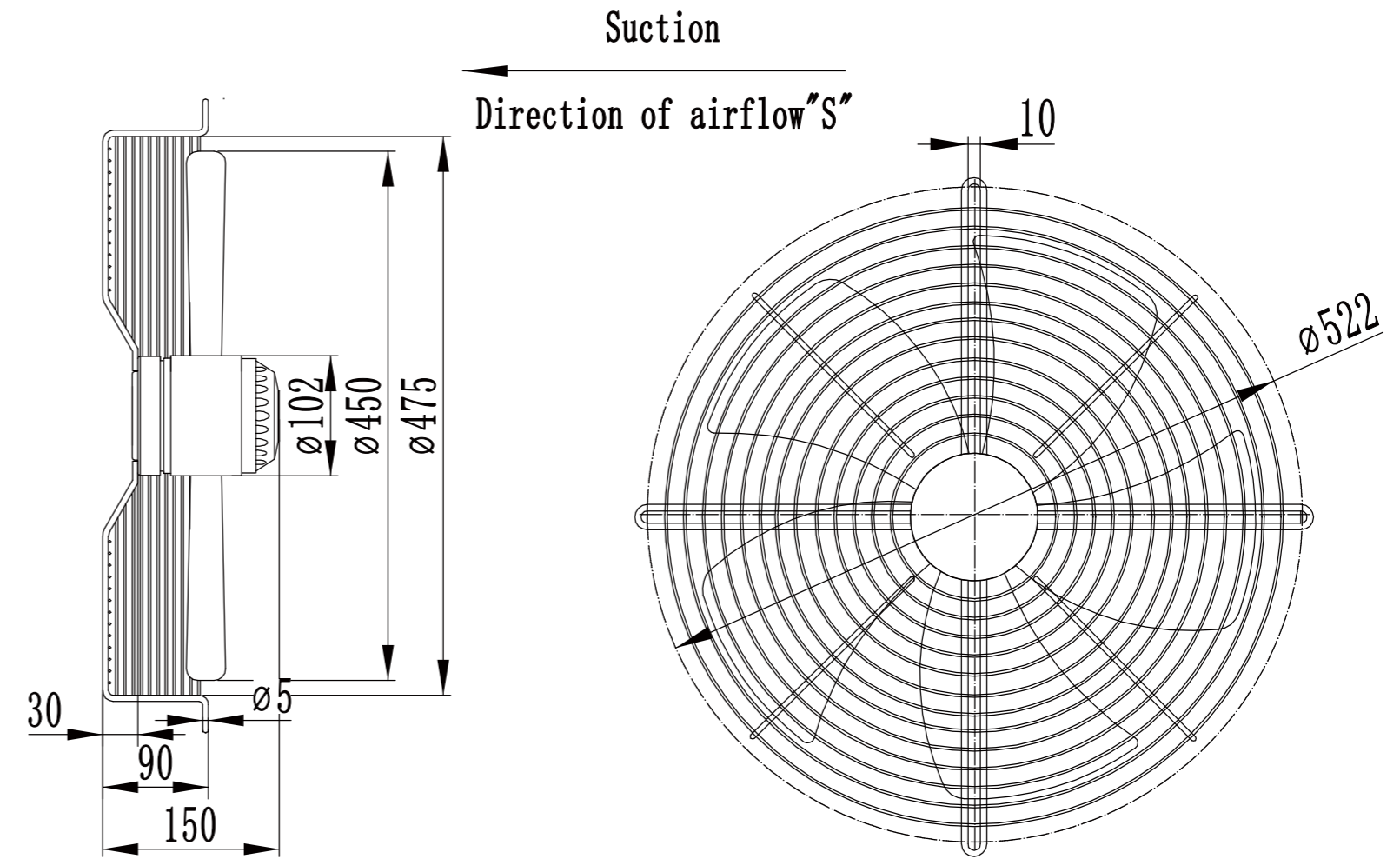


Technical Specifications

| Model | Voltage (V) | Frequency (Hz) | Current (A) | Power (W) | Speed (RPM) | Air Volume (m³/h) | Capacitor (uF) | Noise [dB(A)] | Curve |
|--------------------|-------------|----------------|-------------|-----------|-------------|-------------------|----------------|---------------|-------|
| LWAA4D450S-5MEW-23 | 380 | 50 | 0.75 | 280 | 1390 | 5562 | / | / | / |



Product Drawing (mm)



LWAA-500 Serise

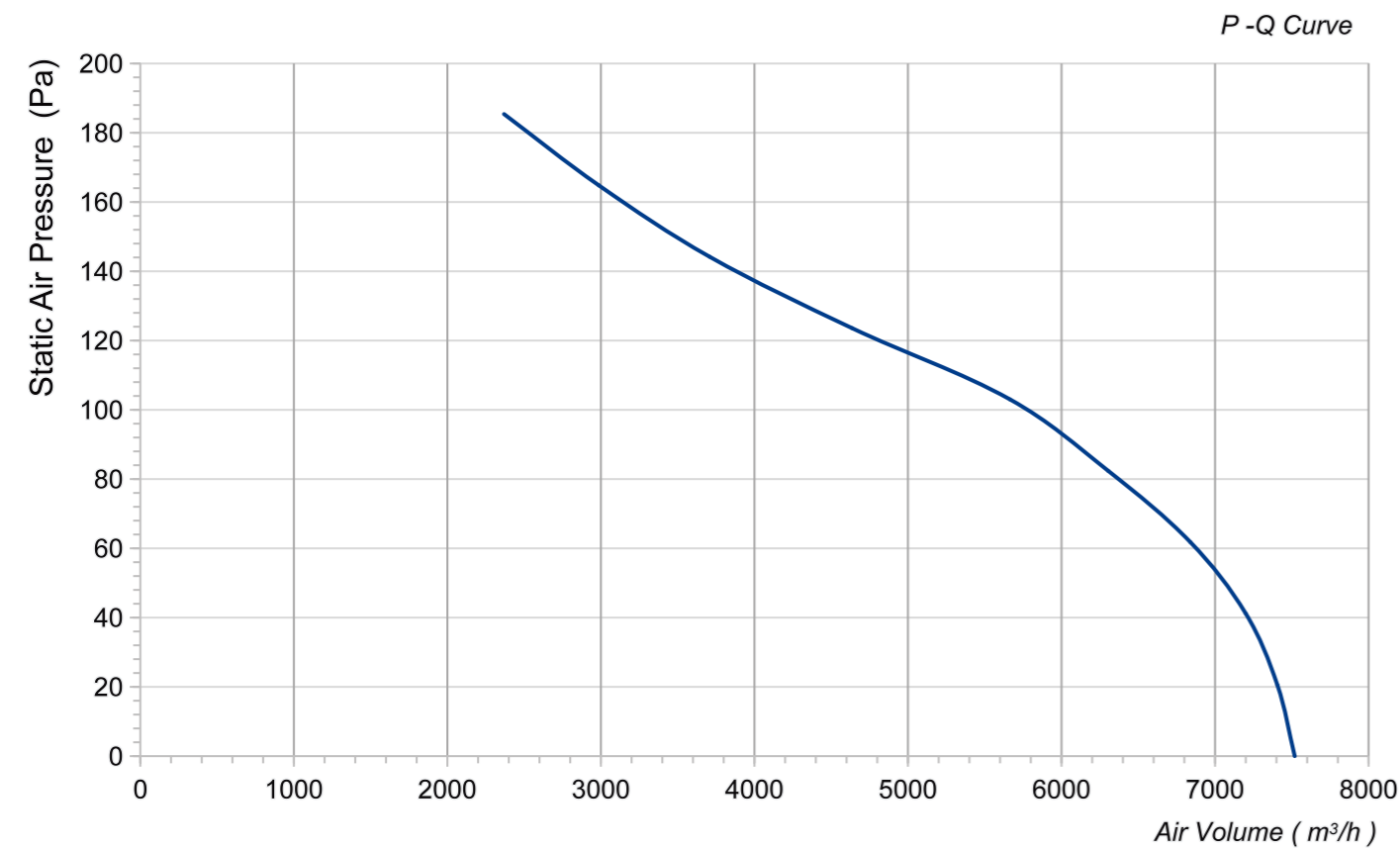
Product Characteristic

- Blades : Cold rolled steel
- Number of blades: 5
- Mode of operation: S1
- Type of protection: IP54
- Insulation class: F
- Operation Temperature: -40 C ~ +60 C

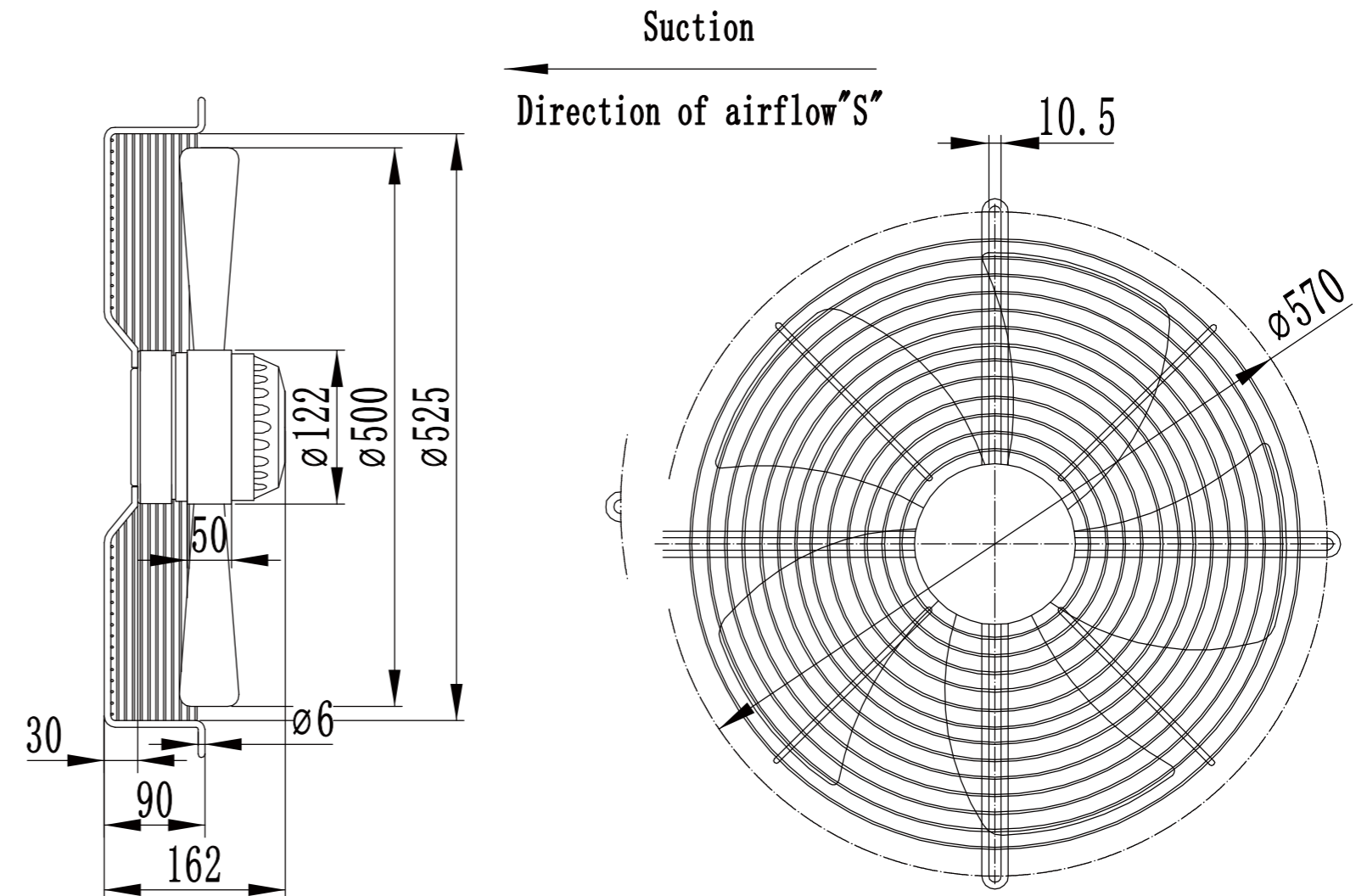


Technical Specifications

| Model | Voltage (V) | Frequency (Hz) | Current (A) | Power (W) | Speed (RPM) | Air Volume (m³/h) | Capacitor (uF) | Noise [dB(A)] | Curve |
|--------------------|-------------|----------------|-------------|-----------|-------------|-------------------|----------------|---------------|-------|
| LWAA4D500S-5MEW-12 | 380 | 50 | 1.1 | 450 | 1390 | 7519 | / | / | / |



Product Drawing (mm)



LWAA-500 Serise

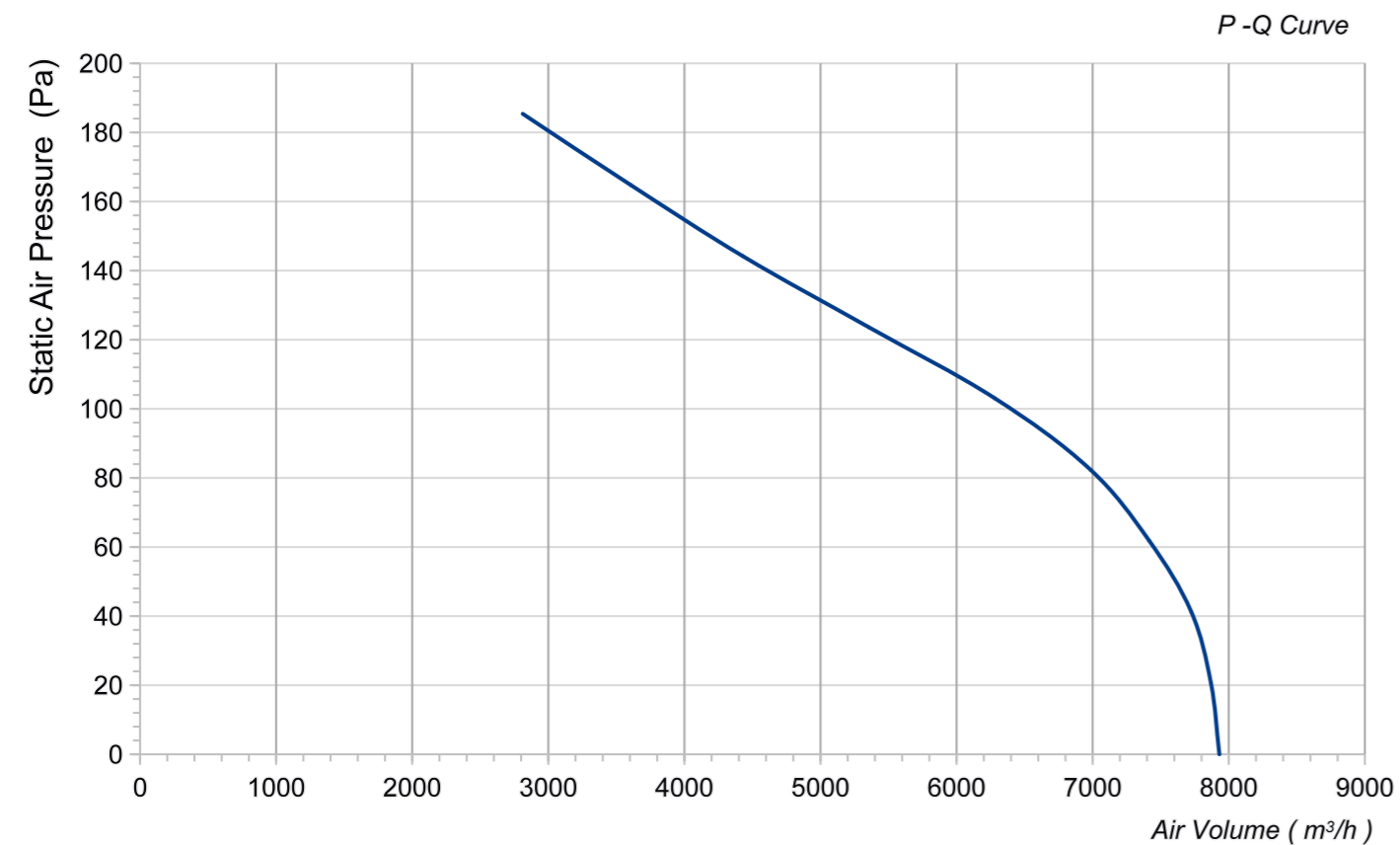
Product Characteristic

- Blades : Cold rolled steel
- Number of blades: 5
- Mode of operation: S1
- Type of protection: IP54
- Insulation class: F
- Operation Temperature: -40 C ~ +60 C

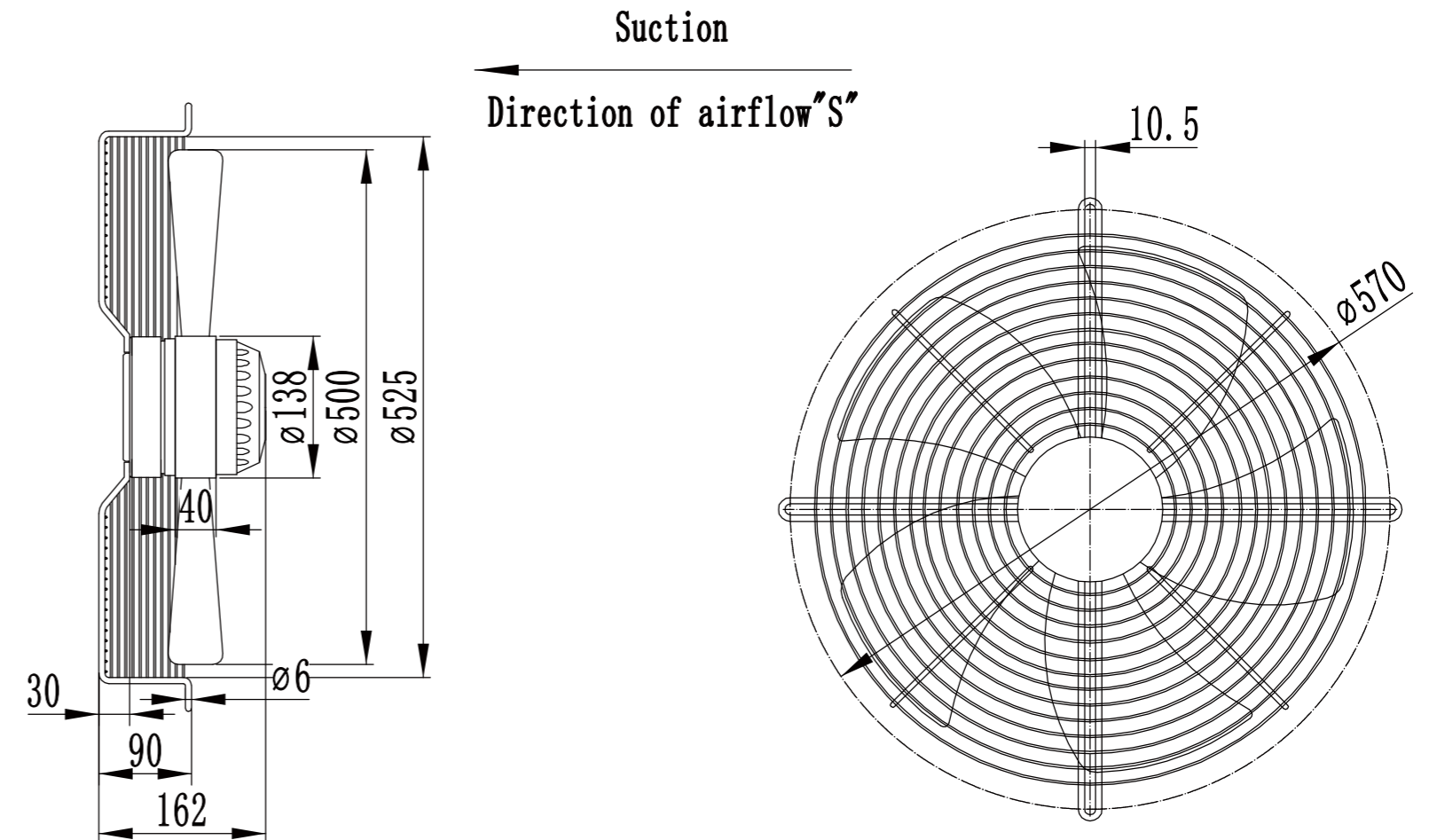


Technical Specifications

| Model | Voltage (V) | Frequency (Hz) | Current (A) | Power (W) | Speed (RPM) | Air Volume (m³/h) | Capacitor (uF) | Noise [dB(A)] | Curve |
|--------------------|-------------|----------------|-------------|-----------|-------------|-------------------|----------------|---------------|-------|
| LWAA4D500S-5MEW-13 | 380 | 50 | 1.1 | 450 | 1390 | 7931 | / | / | / |



Product Drawing (mm)



LWAA-550 Serise

Product Characteristic

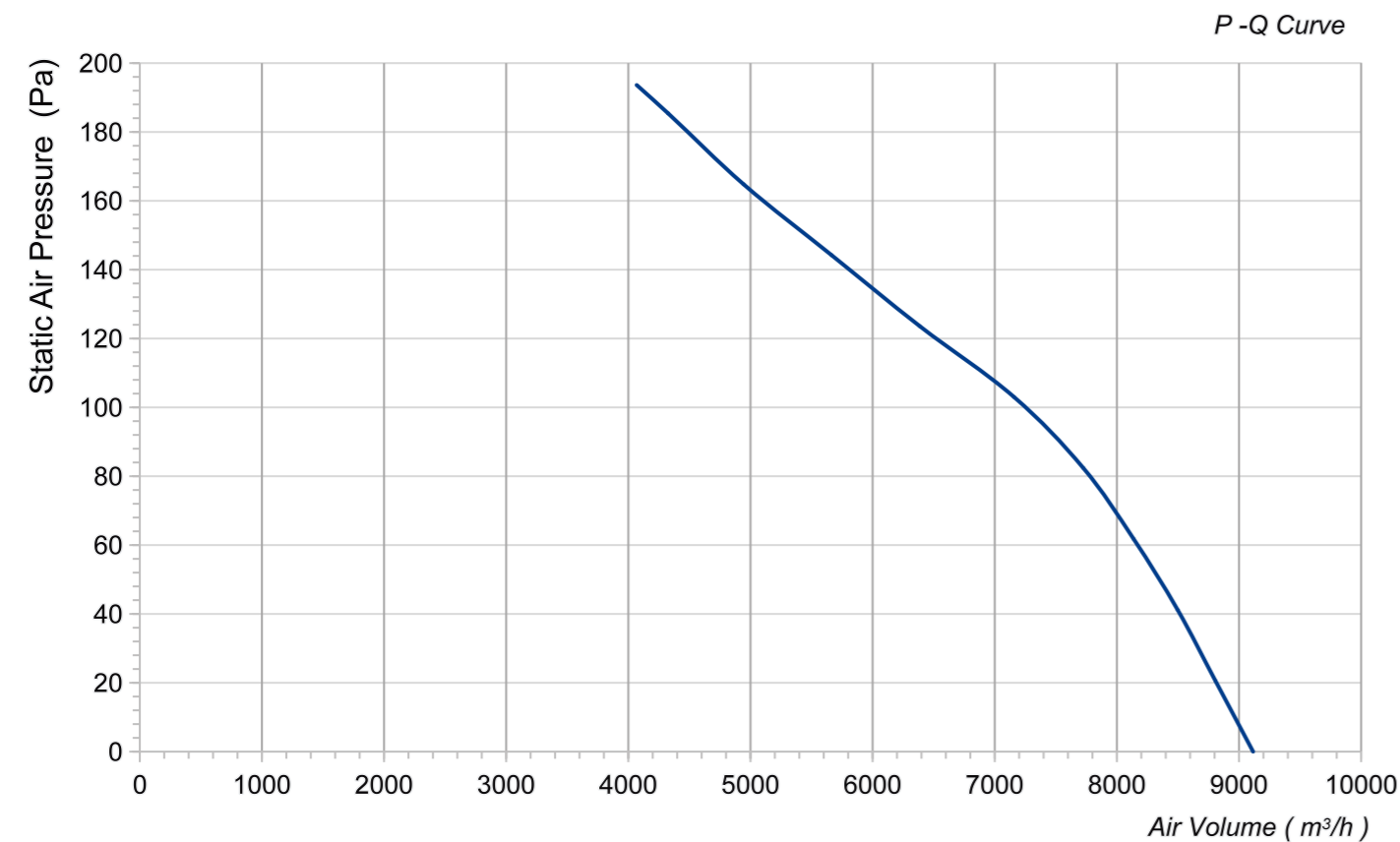
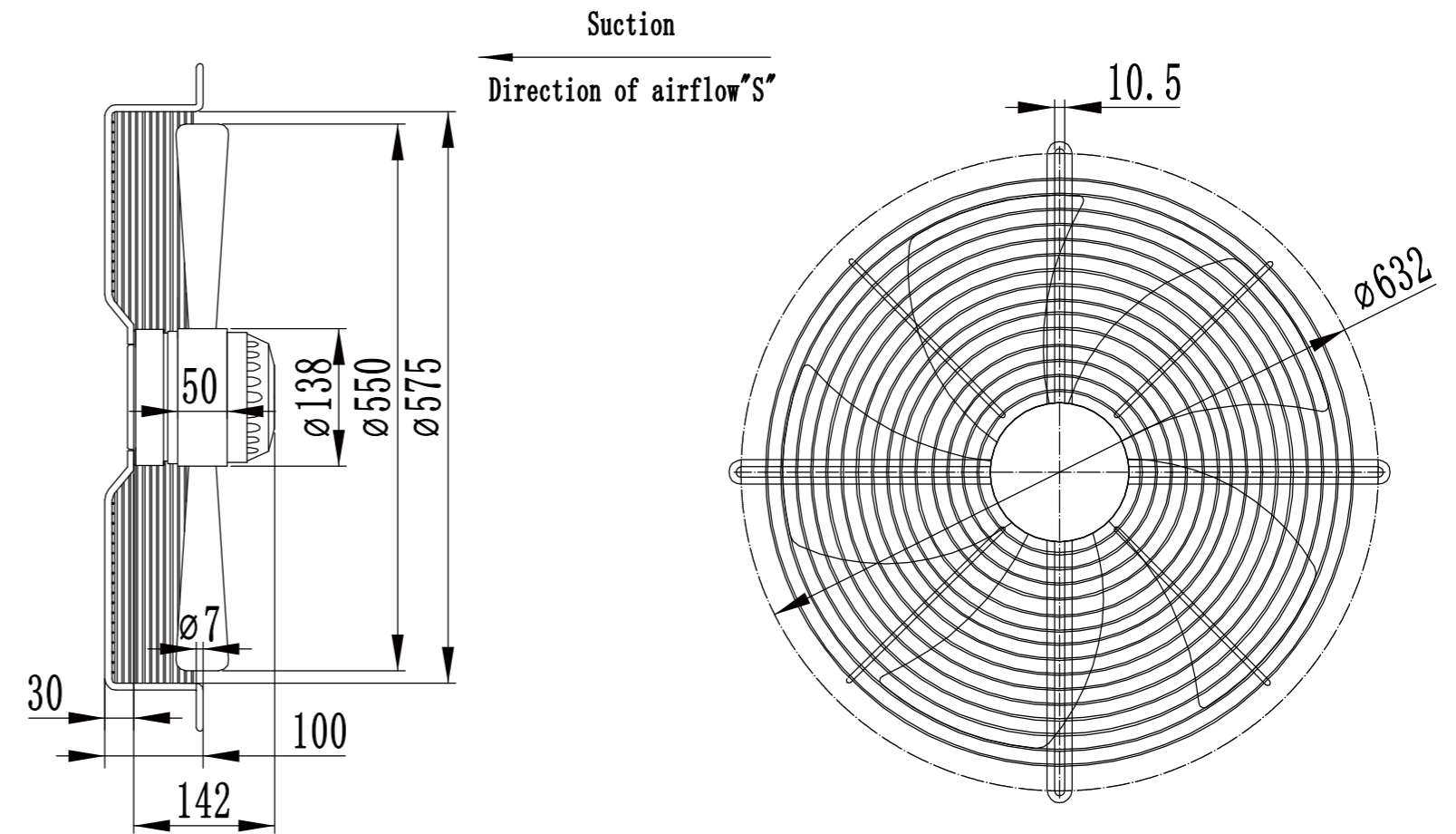
- Blades : Cold rolled steel
- Number of blades: 5
- Mode of operation: S1
- Type of protection: IP44
- Insulation class: F
- Operation Temperature: -40 C ~ +60 C



Technical Specifications

| Model | Voltage (V) | Frequency (Hz) | Current (A) | Power (W) | Speed (RPM) | Air Volume (m³/h) | Capacitor (uF) | Noise [dB(A)] | Curve |
|--------------------|-------------|----------------|-------------|-----------|-------------|-------------------|----------------|---------------|-------|
| LWAA4D550S-5MEW-09 | 380 | 50 | 1.5 | 650 | 1350 | 9116 | / | / | / |

Product Drawing (mm)



LWAA-600 Serise

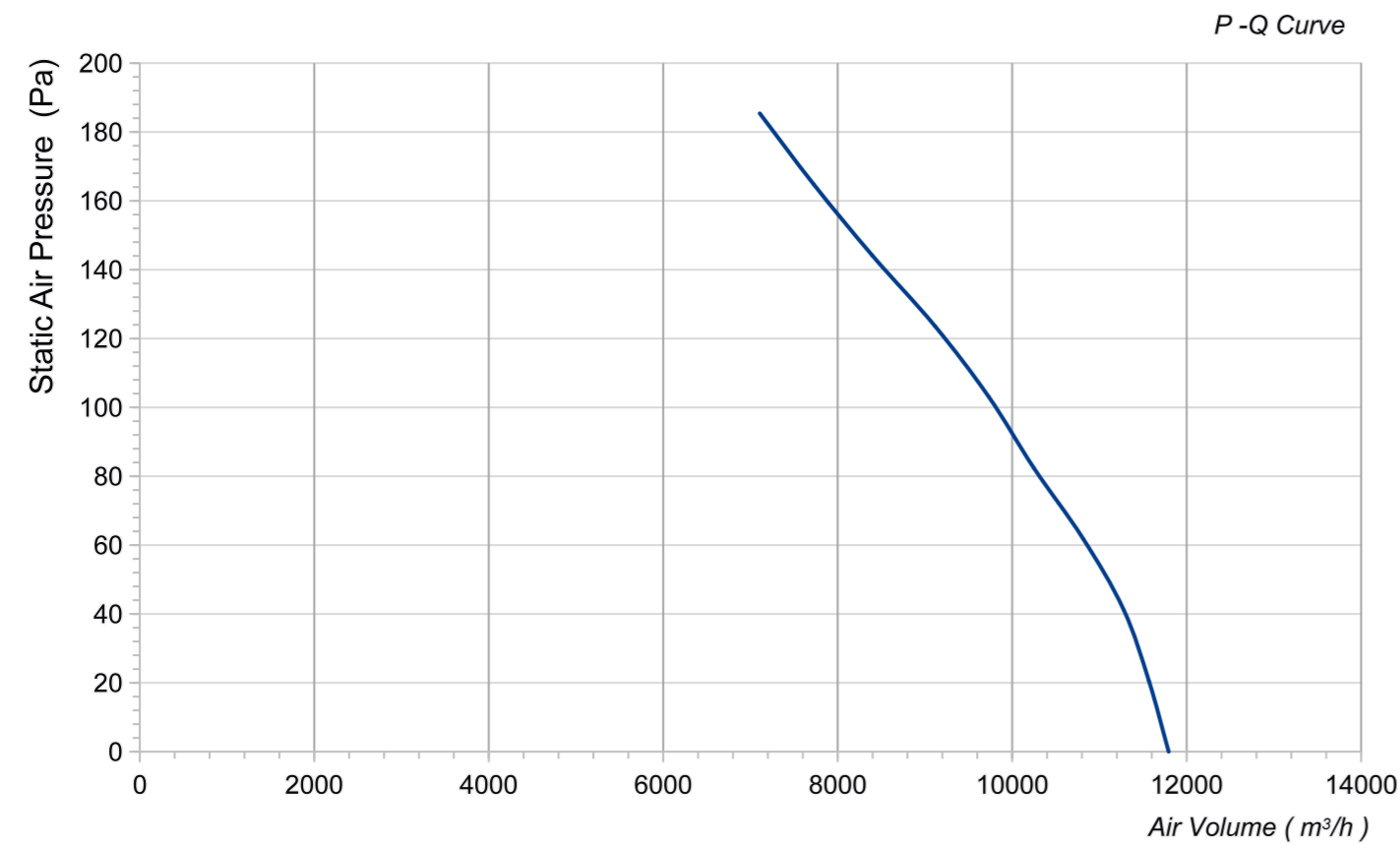
Product Characteristic

- Blades : Cold rolled steel
- Number of blades: 5
- Mode of operation: S1
- Type of protection: IP54
- Insulation class: F
- Operation Temperature: -40 C ~ +60 C

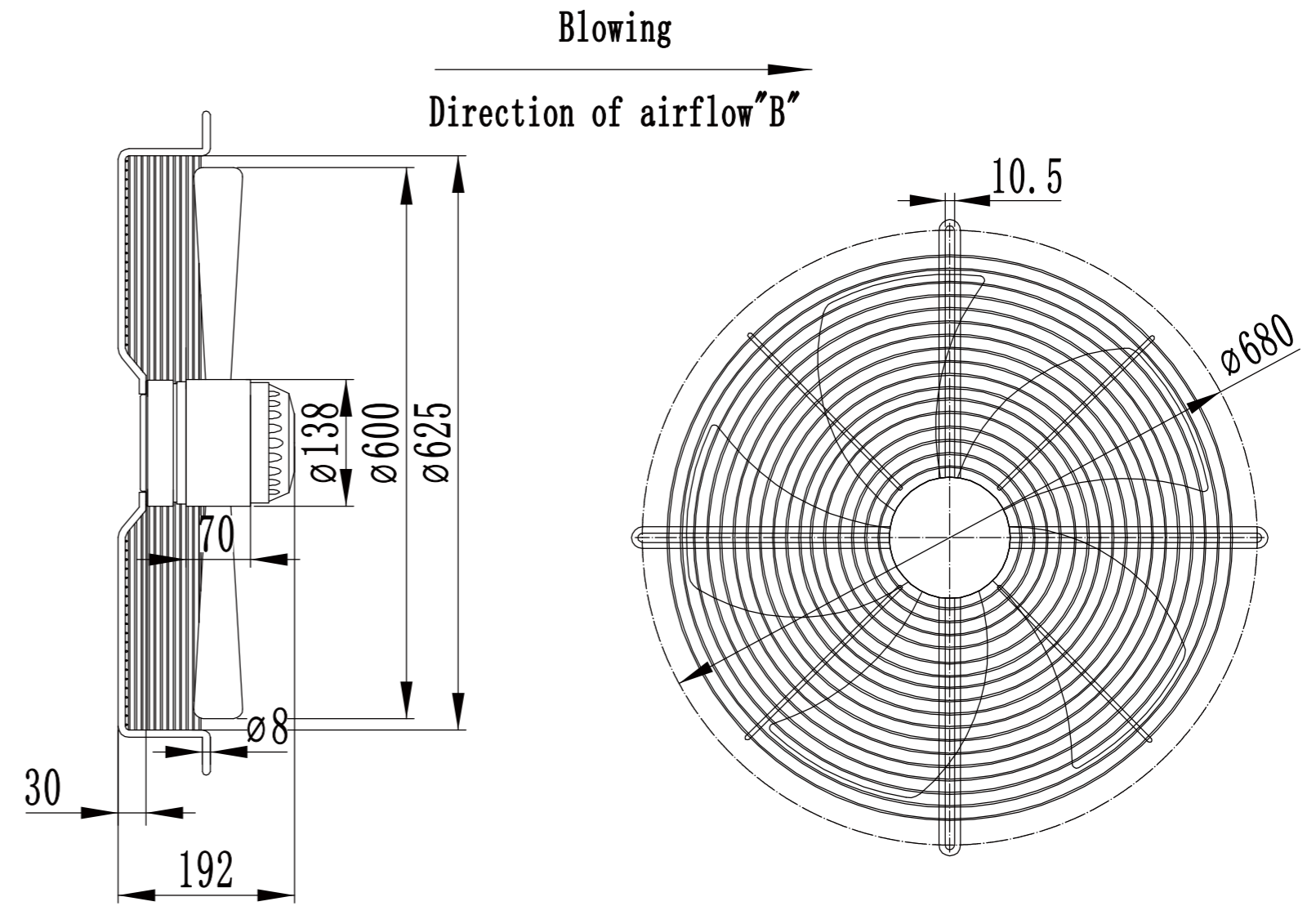


Technical Specifications

| Model | Voltage (V) | Frequency (Hz) | Current (A) | Power (W) | Speed (RPM) | Air Volume (m³/h) | Capacitor (uF) | Noise [dB(A)] | Curve |
|--------------------|-------------|----------------|-------------|-----------|-------------|-------------------|----------------|---------------|-------|
| LWAA4D600B-5MEW-10 | 380 | 50 | 2.1 | 950 | 1350 | 11794 | / | / | / |



Product Drawing (mm)



LWAA-630 Serise

Product Characteristic

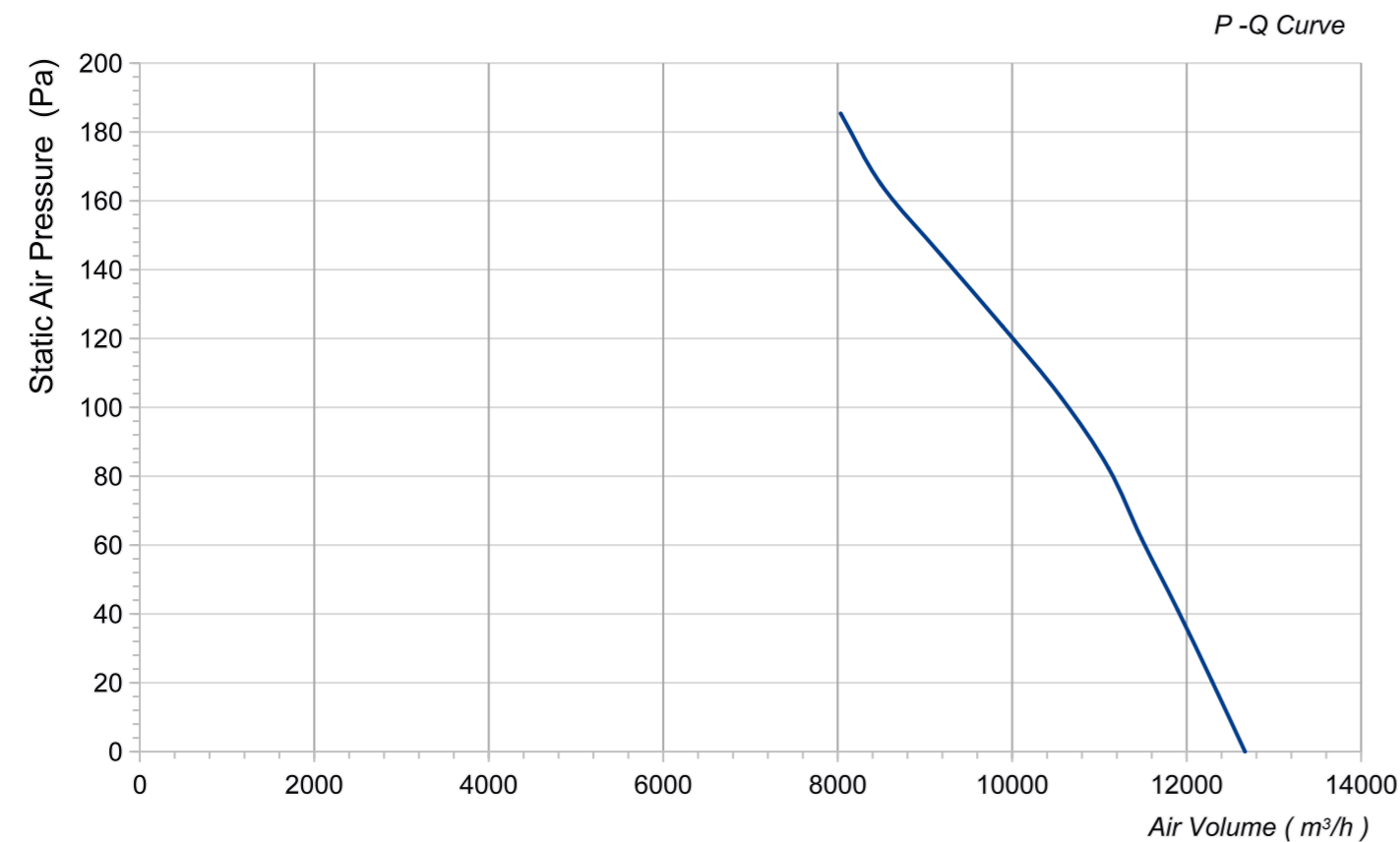
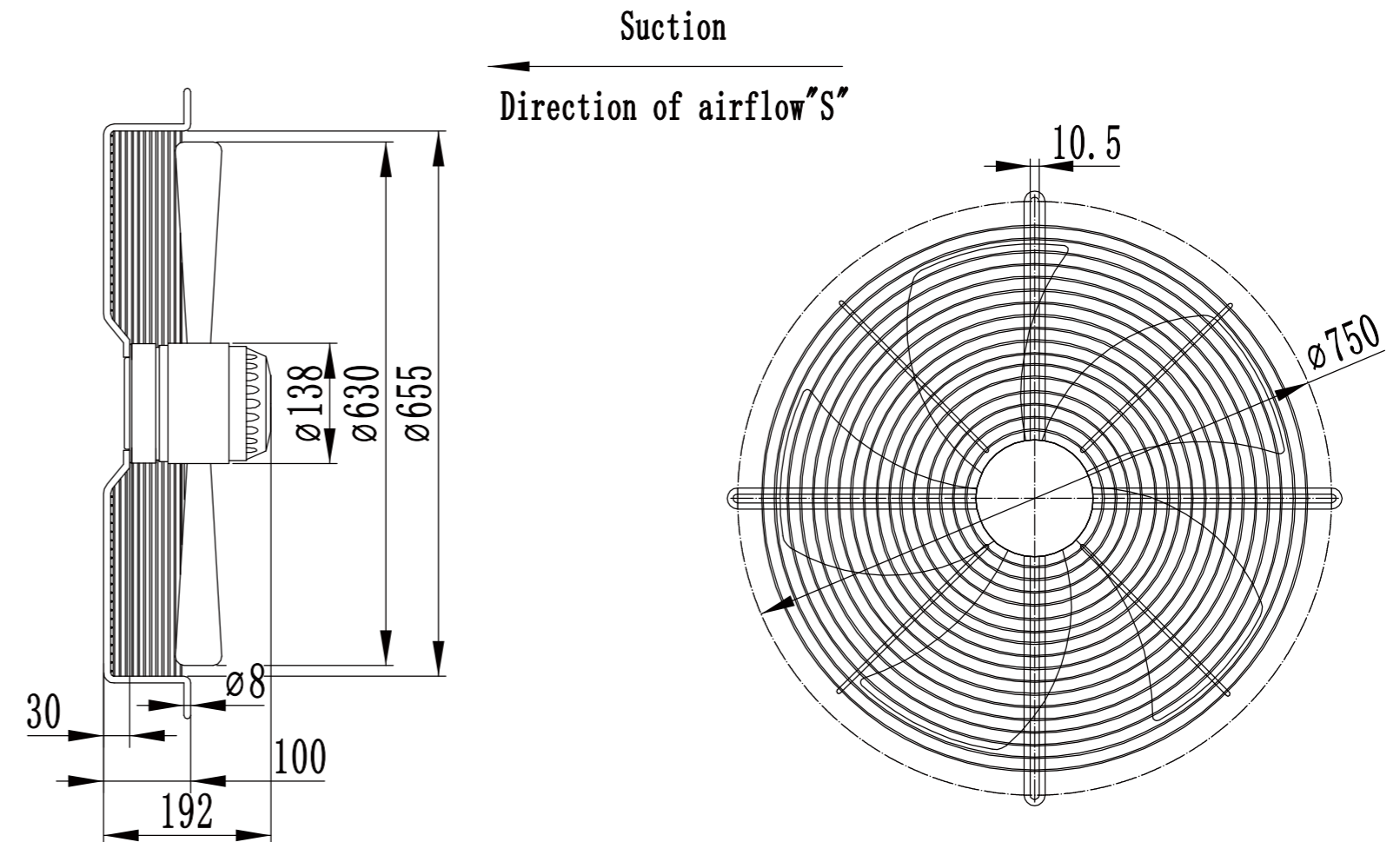
- Blades : Cold rolled steel
- Number of blades: 5
- Mode of operation: S1
- Type of protection: IP54
- Insulation class: F
- Operation Temperature: -40 C ~+60 C



Technical Specifications

| Model | Voltage (V) | Frequency (Hz) | Current (A) | Power (W) | Speed (RPM) | Air Volume (m³/h) | Capacitor (uF) | Noise [dB(A)] | Curve |
|--------------------|-------------|----------------|-------------|-----------|-------------|-------------------|----------------|---------------|-------|
| LWAA4D630S-5MEW-14 | 380 | 50 | 2.1 | 950 | 1380 | 12669 | / | / | / |

Product Drawing (mm)



LWAA-710 Serise

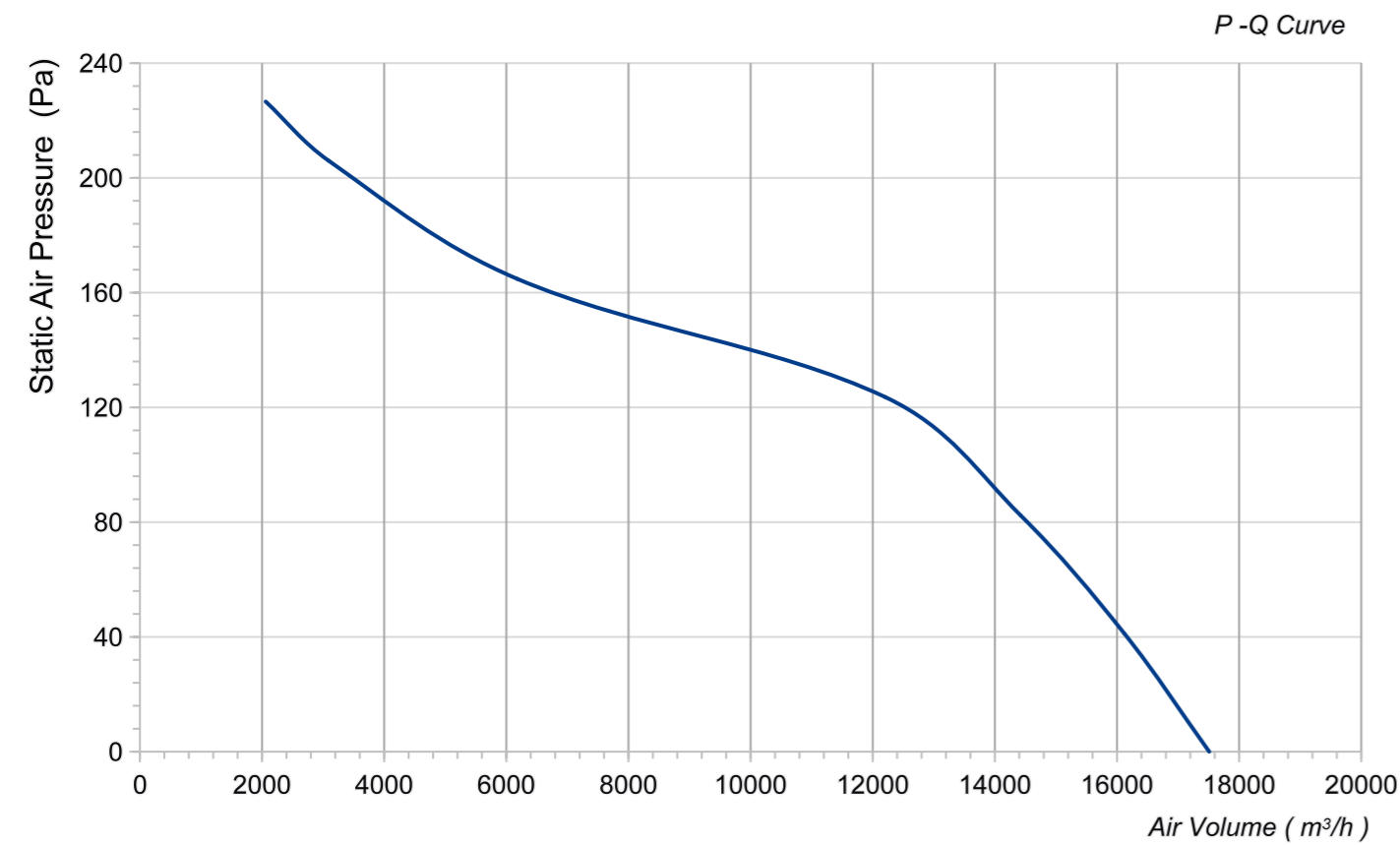
Product Characteristic

- Blades : Cold rolled steel
- Number of blades: 5
- Mode of operation: S1
- Type of protection: IP54
- Insulation class: F
- Operation Temperature: -40 C ~ +60 C

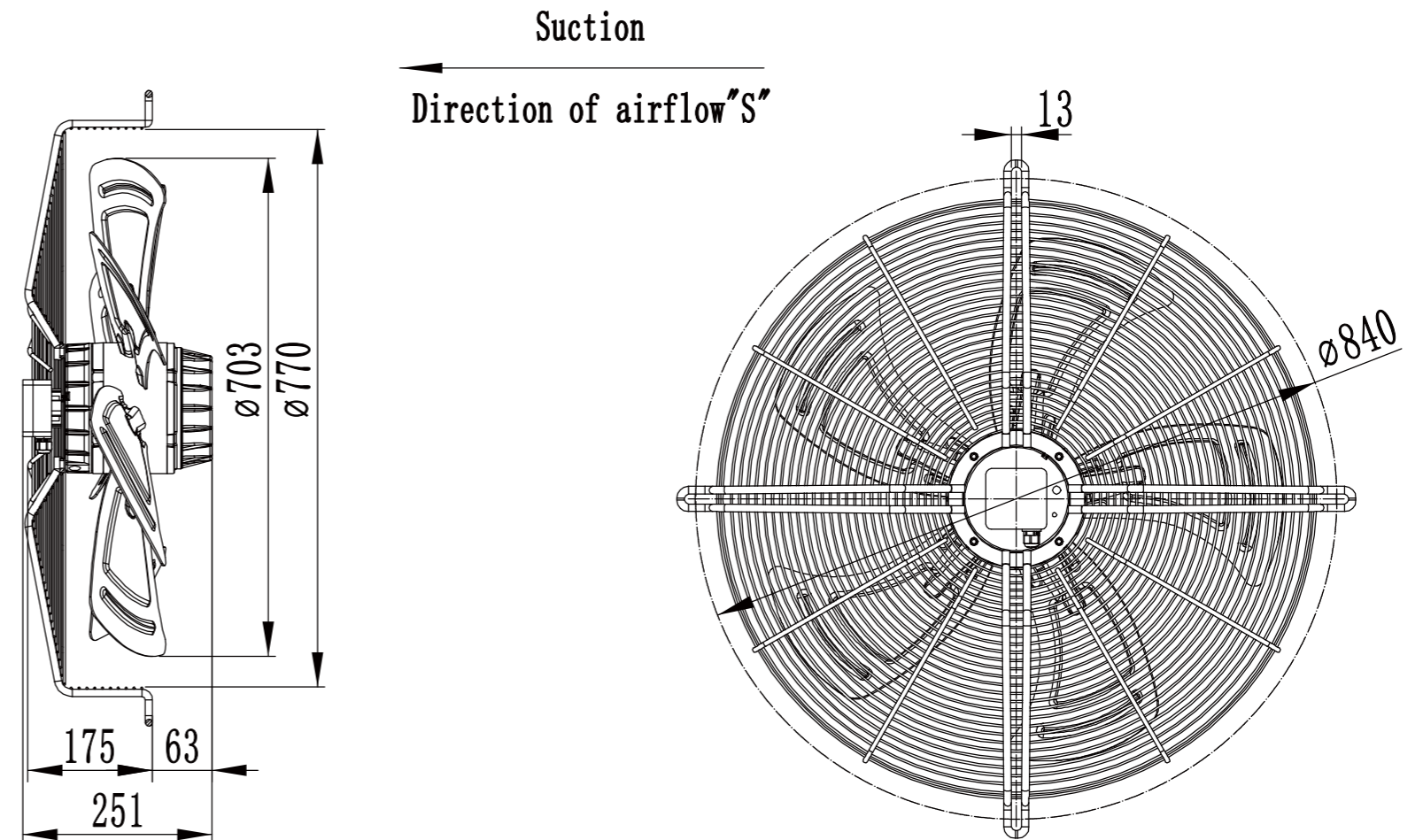


Technical Specifications

| Model | Voltage (V) | Frequency (Hz) | Current (A) | Power (W) | Speed (RPM) | Air Volume (m³/h) | Capacitor (uF) | Noise [dB(A)] | Curve |
|--------------------|-------------|----------------|-------------|-----------|-------------|-------------------|----------------|---------------|-------|
| LWAA6D710S-5MEW-07 | 380 | 50 | 2.88 | 1200 | 920 | 17510 | / | / | / |



Product Drawing (mm)



LWAA-800 Serie

Product Characteristic

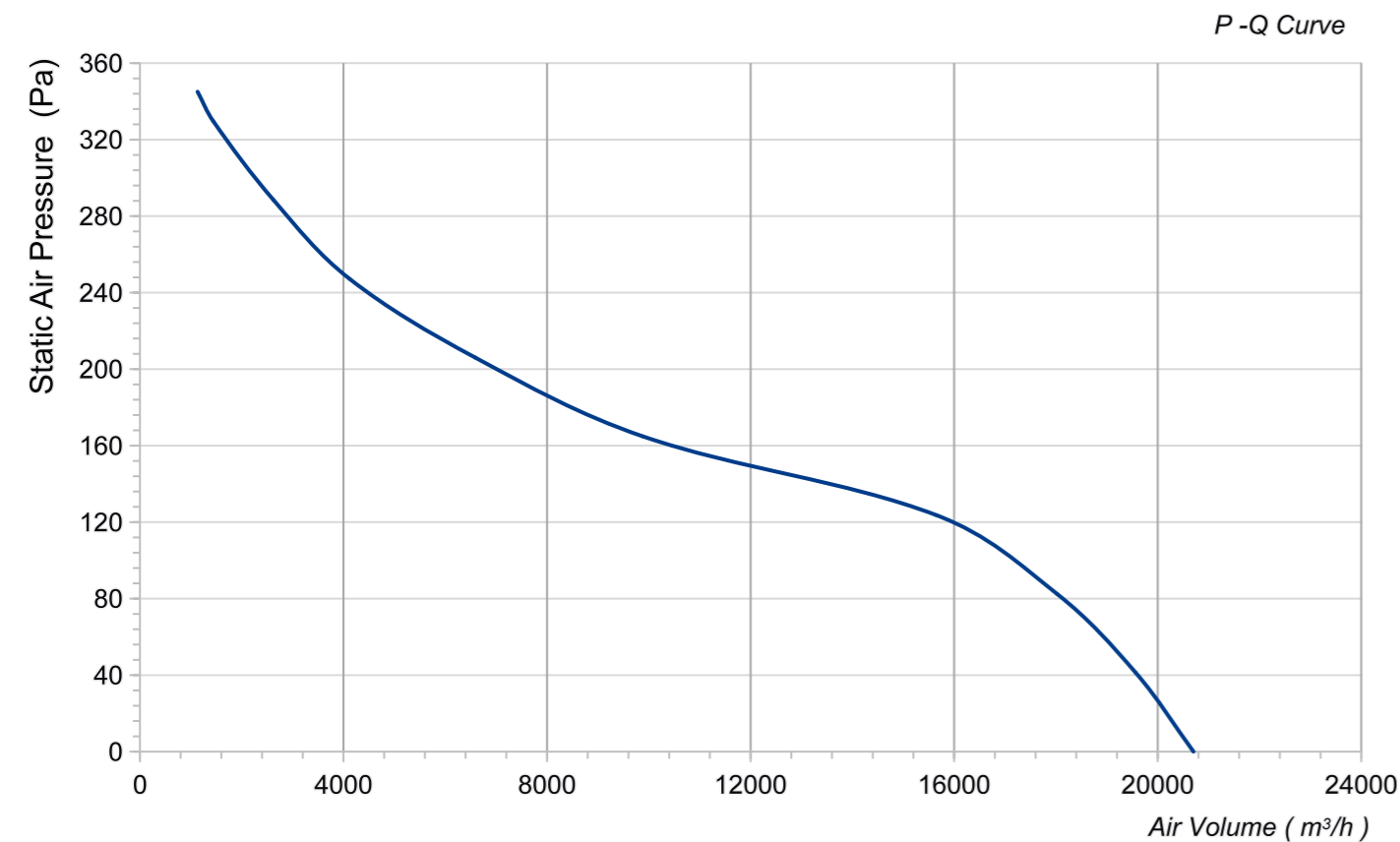
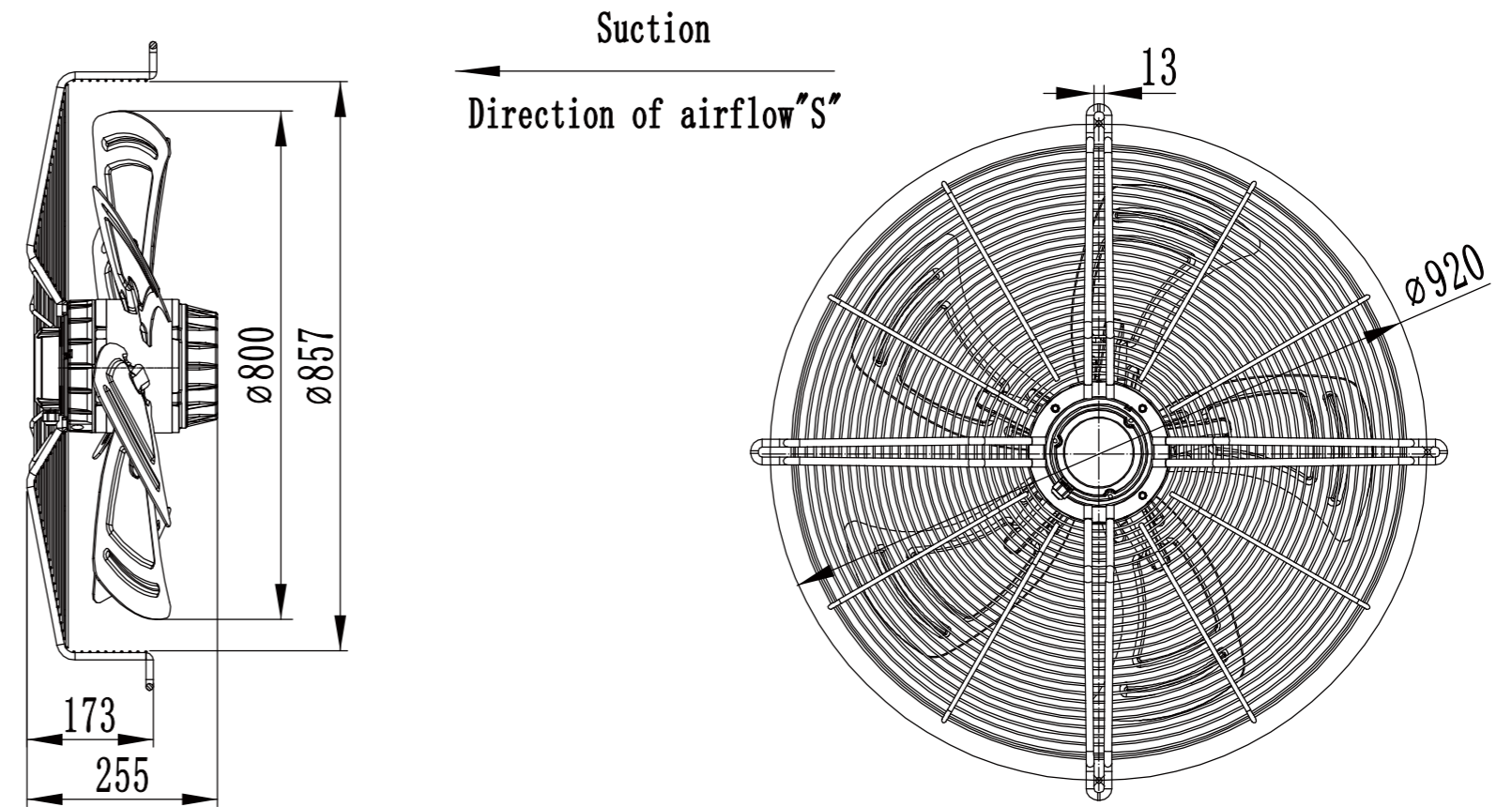
- Blades : Cold rolled steel
- Number of blades: 7
- Mode of operation: S1
- Type of protection: IP54
- Insulation class: F
- Operation Temperature: -40 C ~ +60 C



Technical Specifications

| Model | Voltage (V) | Frequency (Hz) | Current (A) | Power (W) | Speed (RPM) | Air Volume (m³/h) | Capacitor (uF) | Noise [dB(A)] | Curve |
|--------------------|-------------|----------------|-------------|-----------|-------------|-------------------|----------------|---------------|-------|
| LWAA6D800S-7MEB-05 | 380 | 50 | 3.2 | 1600 | 960 | 20703 | / | / | / |

Product Drawing (mm)



LWAA-910 Serise

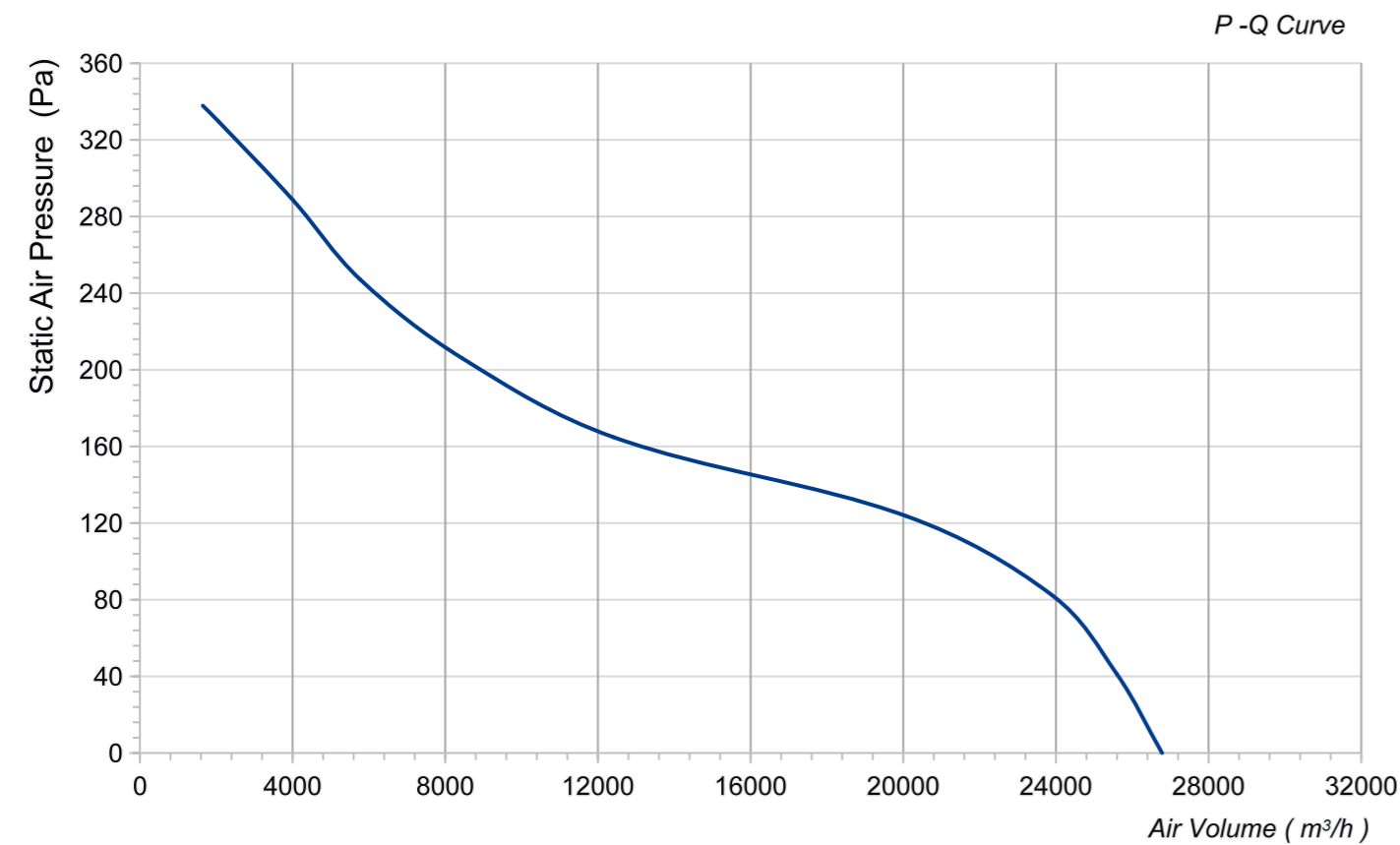
Product Characteristic

- Blades : Cold rolled steel
- Number of blades: 5
- Mode of operation: S1
- Type of protection: IP54
- Insulation class: F
- Operation Temperature: -40 C ~ +60 C



Technical Specifications

| Model | Voltage (V) | Frequency (Hz) | Current (A) | Power (W) | Speed (RPM) | Air Volume (m³/h) | Capacitor (uF) | Noise [dB(A)] | Curve |
|--------------------|-------------|----------------|-------------|-----------|-------------|-------------------|----------------|---------------|-------|
| LWAA6D910S-5MEB-03 | 380 | 50 | 4.7 | 2450 | 920 | 26780 | / | / | / |



Product Drawing (mm)

