



**Professional HVAC Fan
& Motors Manufacturer**

— AC Axial Flow Fan



Website

Ningbo Longwell Electric Technology Co.,Ltd

TEL:+86 (574) 6218 9863

Fax:+86 18358274663

Whatsapp:+0086 18358274663

E-mail:sales@zjlongwell.com

Web:https://www.longwellfans.com/

Address:#NO.100 ,South of Xuxiang River ,Ditang District, Yuyao,Ningbo
Zhejiang Province,China 315400

Ningbo Longwell Electric Technology CO, LTD

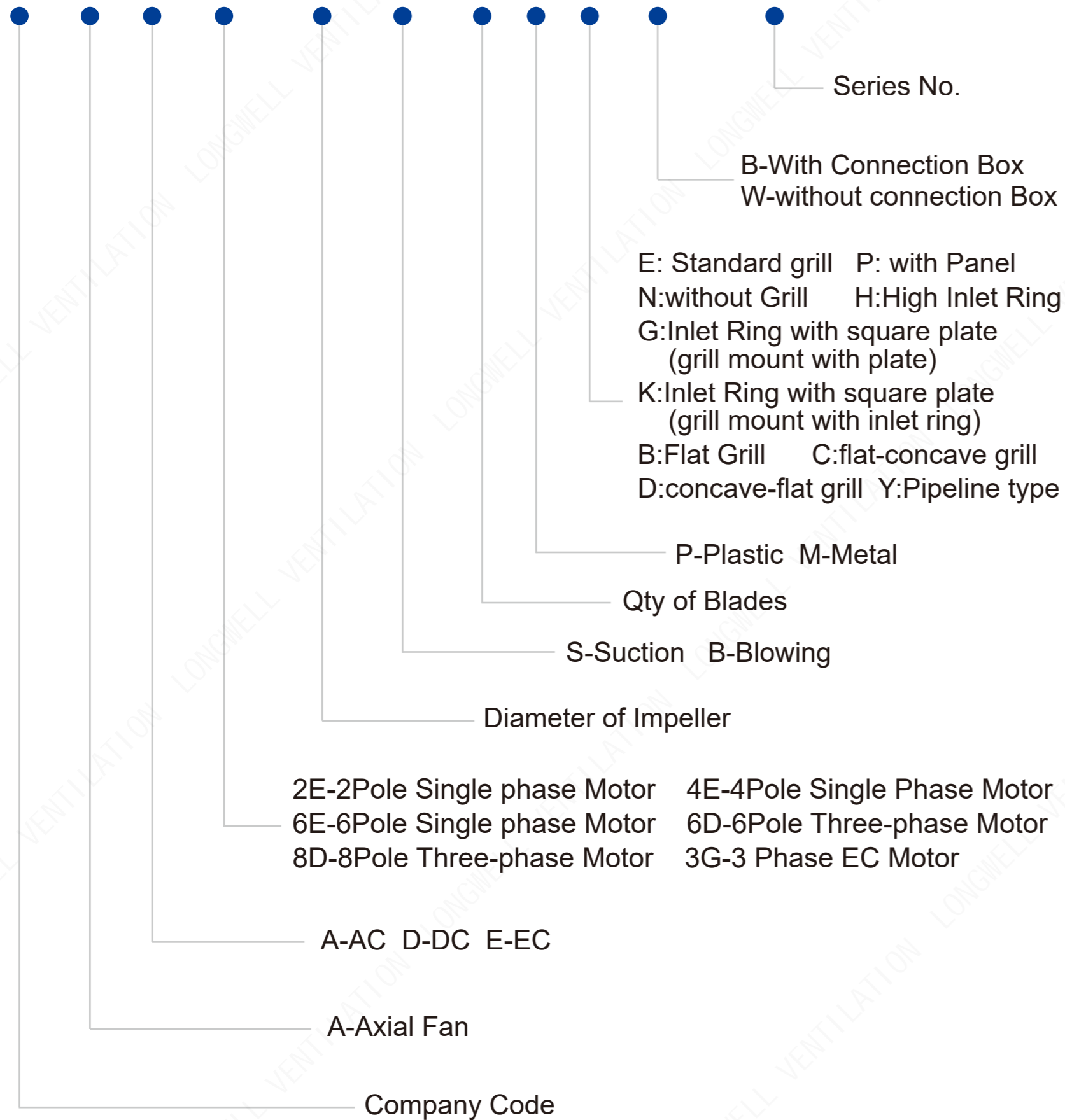


CATALOGUE

01	Type Code
02-32	AC Axial Flow Fan(Φ 145- Φ 300)
33-72	AC Axial Flow Fan(Φ 350- Φ 500)
73-92	AC Axial Flow Fan(Φ 550- Φ 630)
93-110	AC Axial Flow Fan(Φ 710- Φ 900)

Type Code

LW A A 2D 145 S - 5 M N W - 01



AC Axial Flow Fan

Professional HVAC Fan & Motors Manufacturer



LWAA-145 Series

Product Characteristic

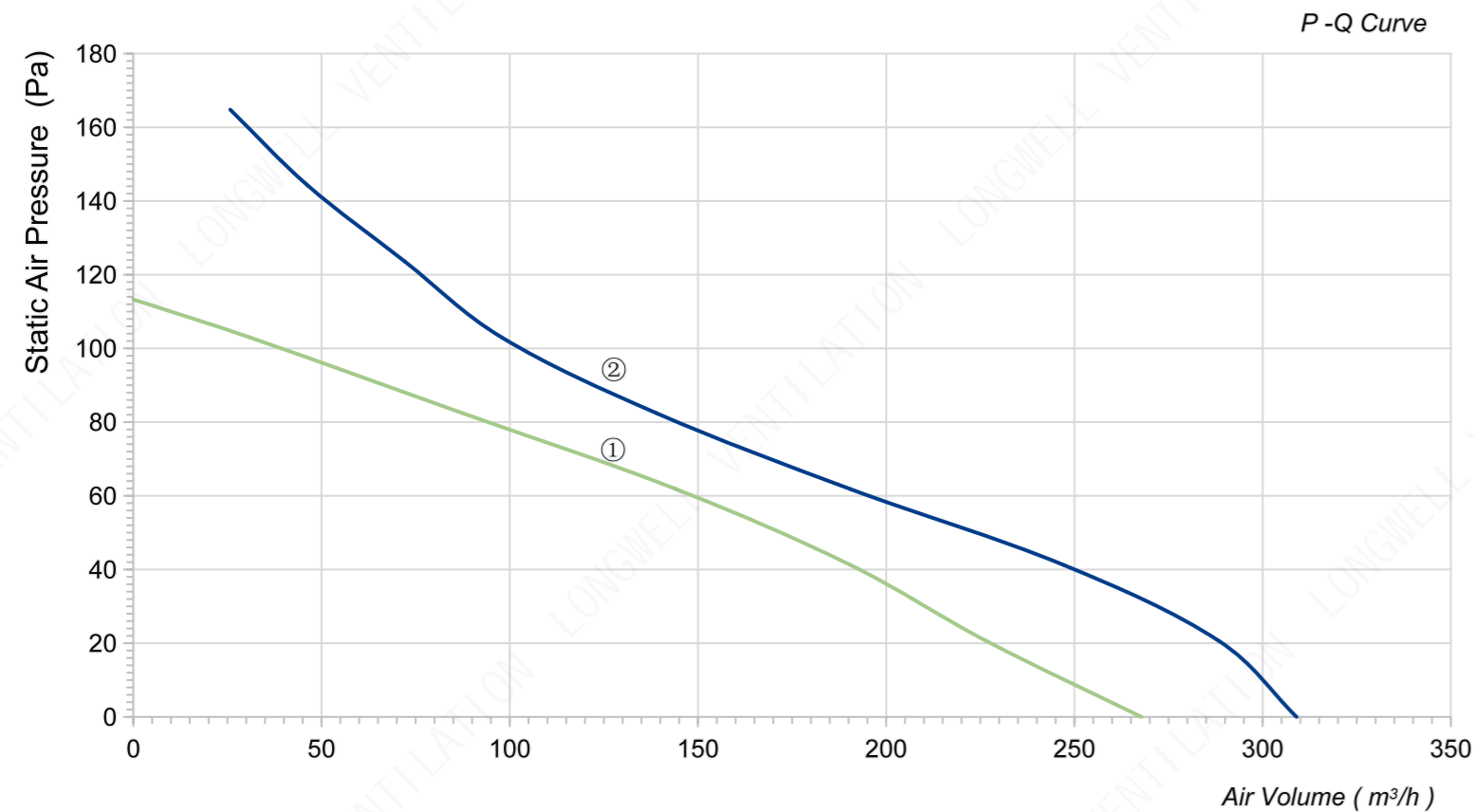
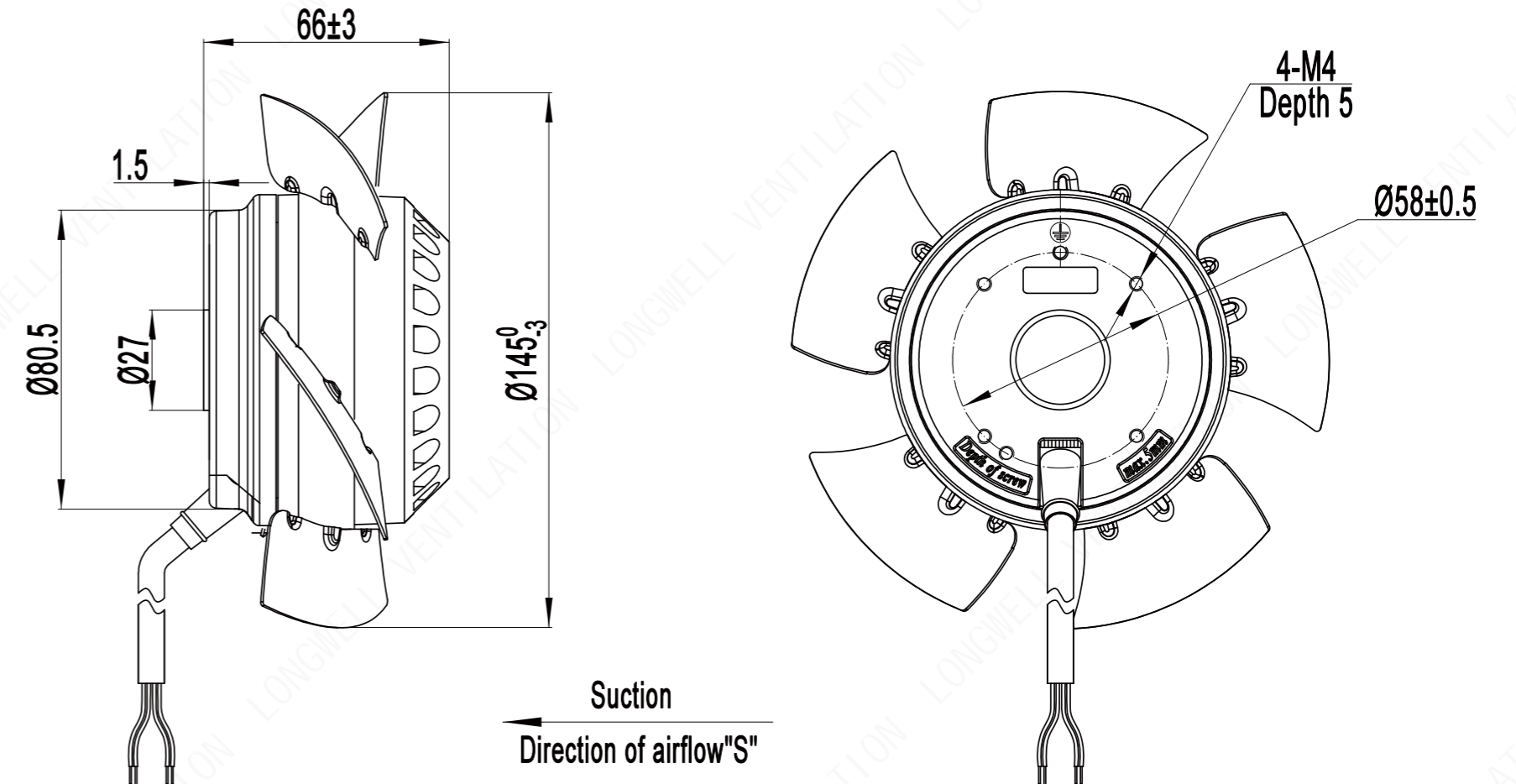
- Blades : Cold rolled steel
- Number of blades: 5
- Mode of operation: S1
- Type of protection: IP44
- Insulation class: F
- Operation Temperature: -30~+60 C



Technical Specifications

Model	Voltage (V)	Frequency (Hz)	Current (A)	Power (W)	Speed (RPM)	Air Volume (m³/h)	Capacitor (uF)	Noise [dB(A)]	Curve
LWAA2D145S-5MNW-01	380/400	50	0.15	50	2800	268	/	46	①
LWAA2D145S-5MNW-02	380/400	60	0.1	35	3200	309	/	49	②

Product Drawing (mm)



LWAA-165 Series

Product Characteristic

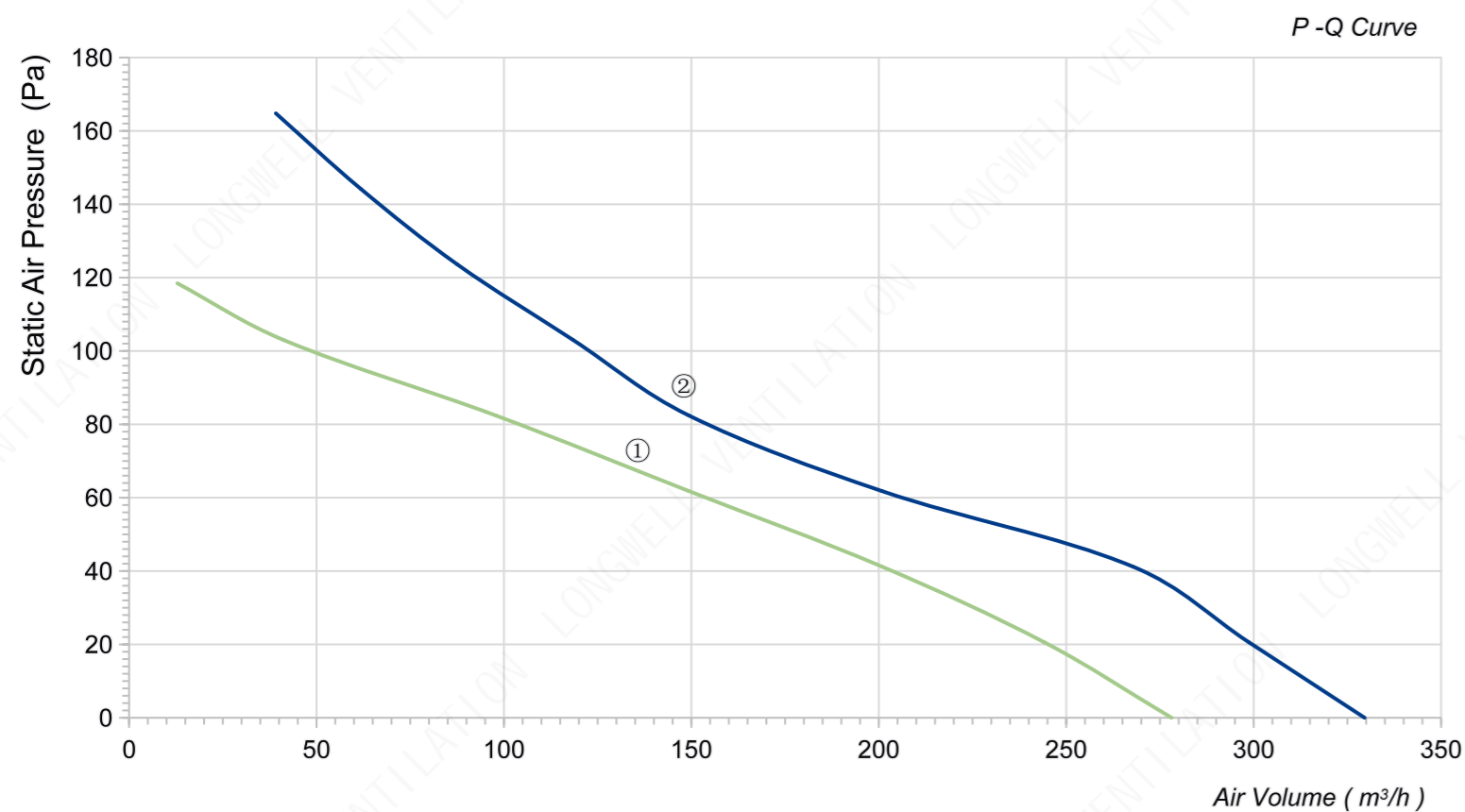
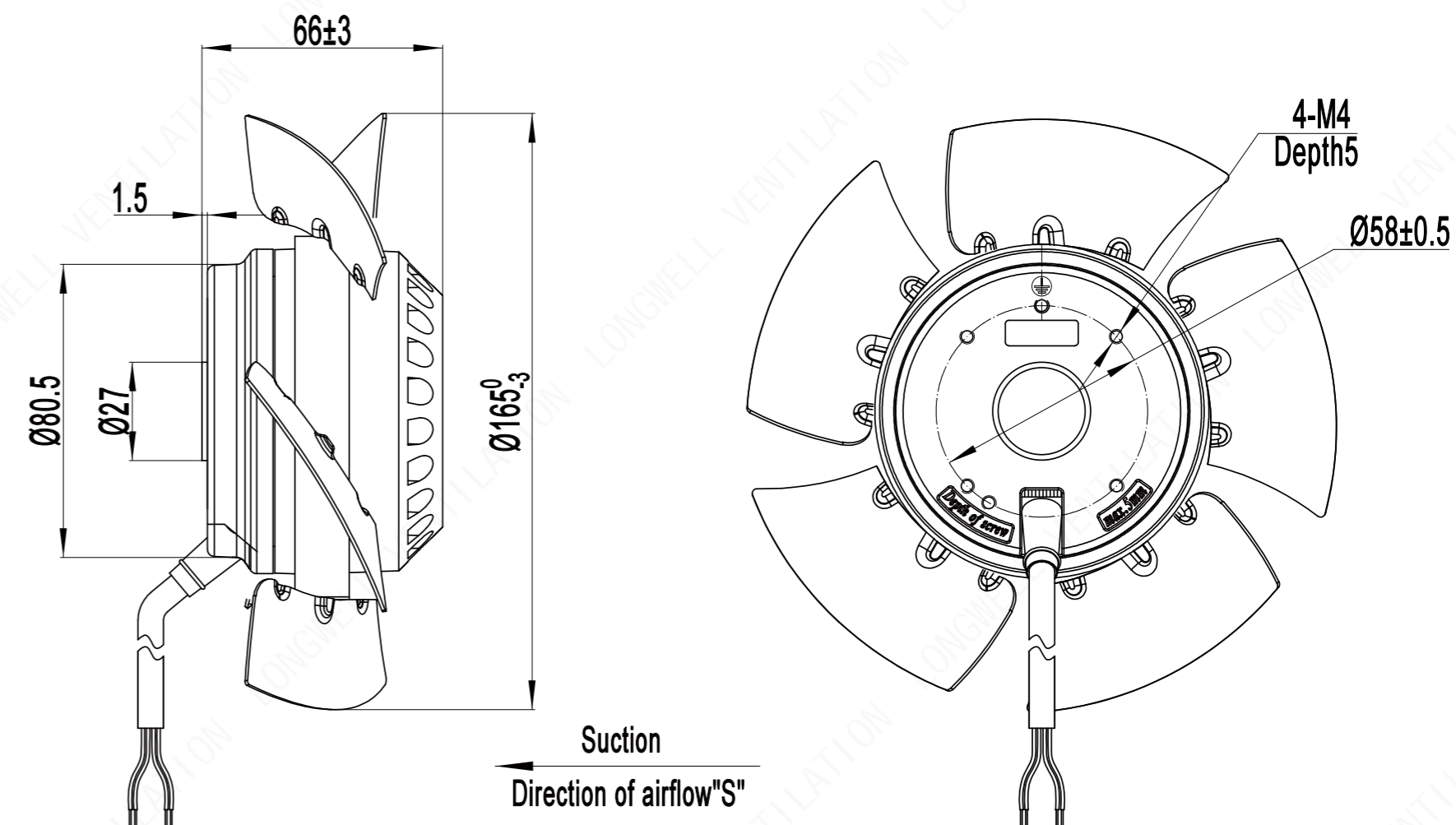
- Blades : Cold rolled steel
- Number of blades: 5
- Mode of operation: S1
- Type of protection: IP44
- Insulation class: F
- Operation Temperature: -30~+60 C



Technical Specifications

Model	Voltage (V)	Frequency (Hz)	Current (A)	Power (W)	Speed (RPM)	Air Volume (m³/h)	Capacitor (uF)	Noise [dB(A)]	Curve
LWAA2D165S-5MNW-01	380/400	50	0.15	50	2800	278	/	47	①
LWAA2D165S-5MNW-02	380/400	60	0.1	35	3200	330	/	50	②

Product Drawing (mm)



LWAA-185 Series

Product Characteristic

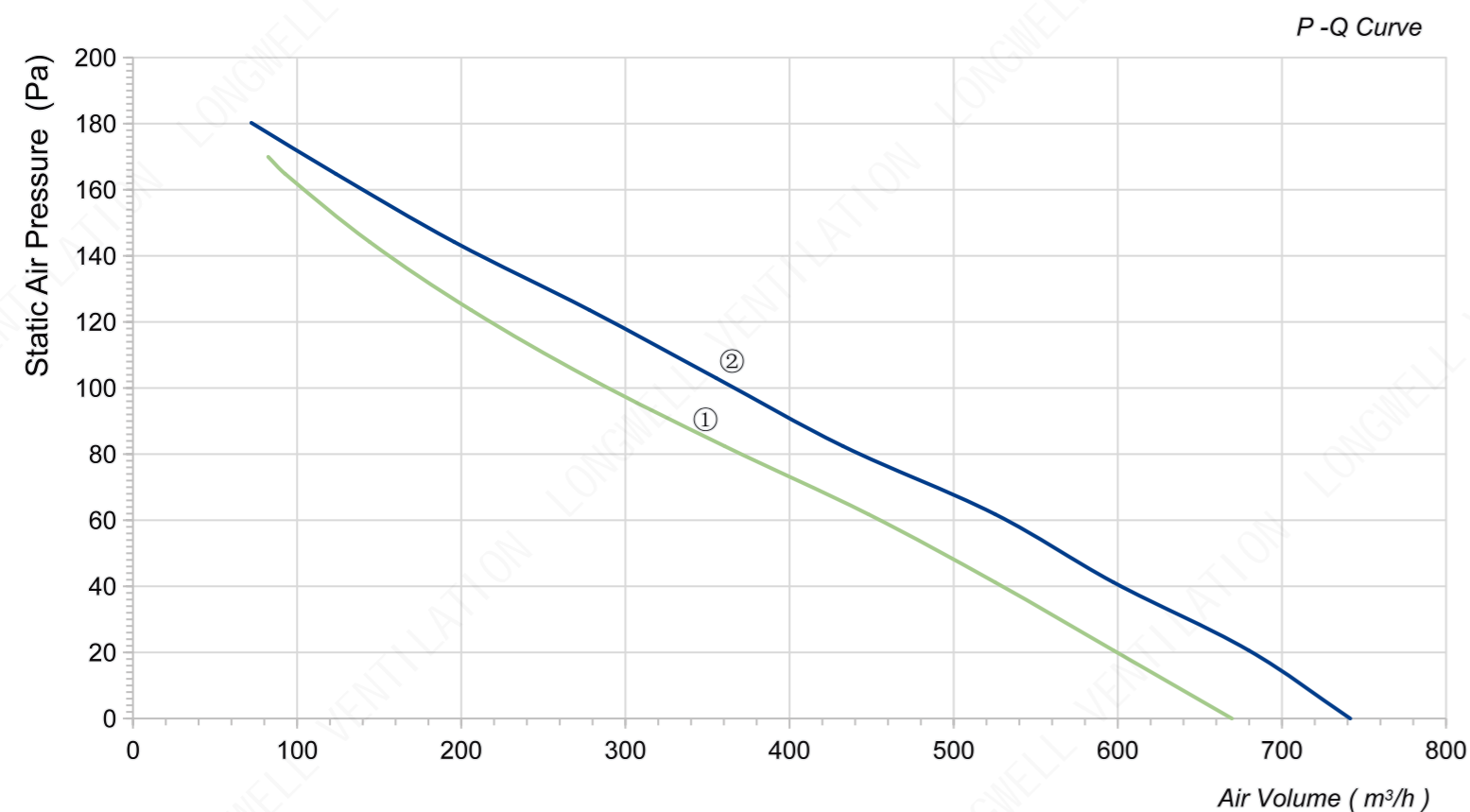
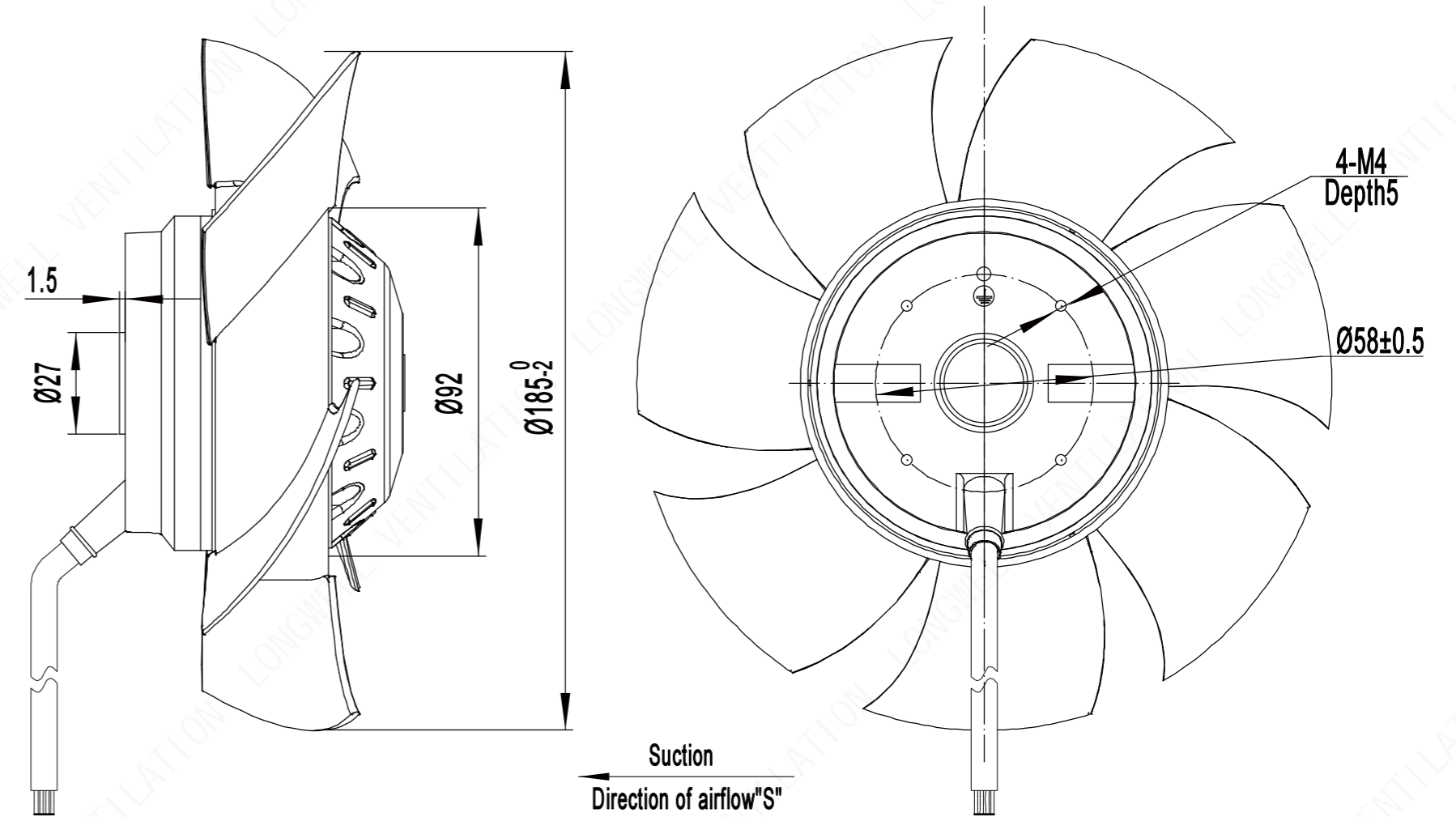
- Blades : Cold rolled steel
- Number of blades: 7
- Mode of operation: S1
- Type of protection: IP44
- Insulation class: F
- Operation Temperature: -30~+60 C



Technical Specifications

Model	Voltage (V)	Frequency (Hz)	Current (A)	Power (W)	Speed (RPM)	Air Volume (m³/h)	Capacitor (uF)	Noise [dB(A)]	Curve
LWAA2E185S-7MNW-01	220/230	50	0.25	55	2400	670	1.5	51	①
LWAA2E185S-7MNW-02	220/230	60	0.28	75	2700	742	1.5	52	②
LWAA2D185S-7MNW-03	380/400	50	0.15	55	2400	670	/	51	①
LWAA2D185S-7MNW-04	380/400	60	0.18	75	2700	742	/	52	②

Product Drawing (mm)



LWAA-200 Series

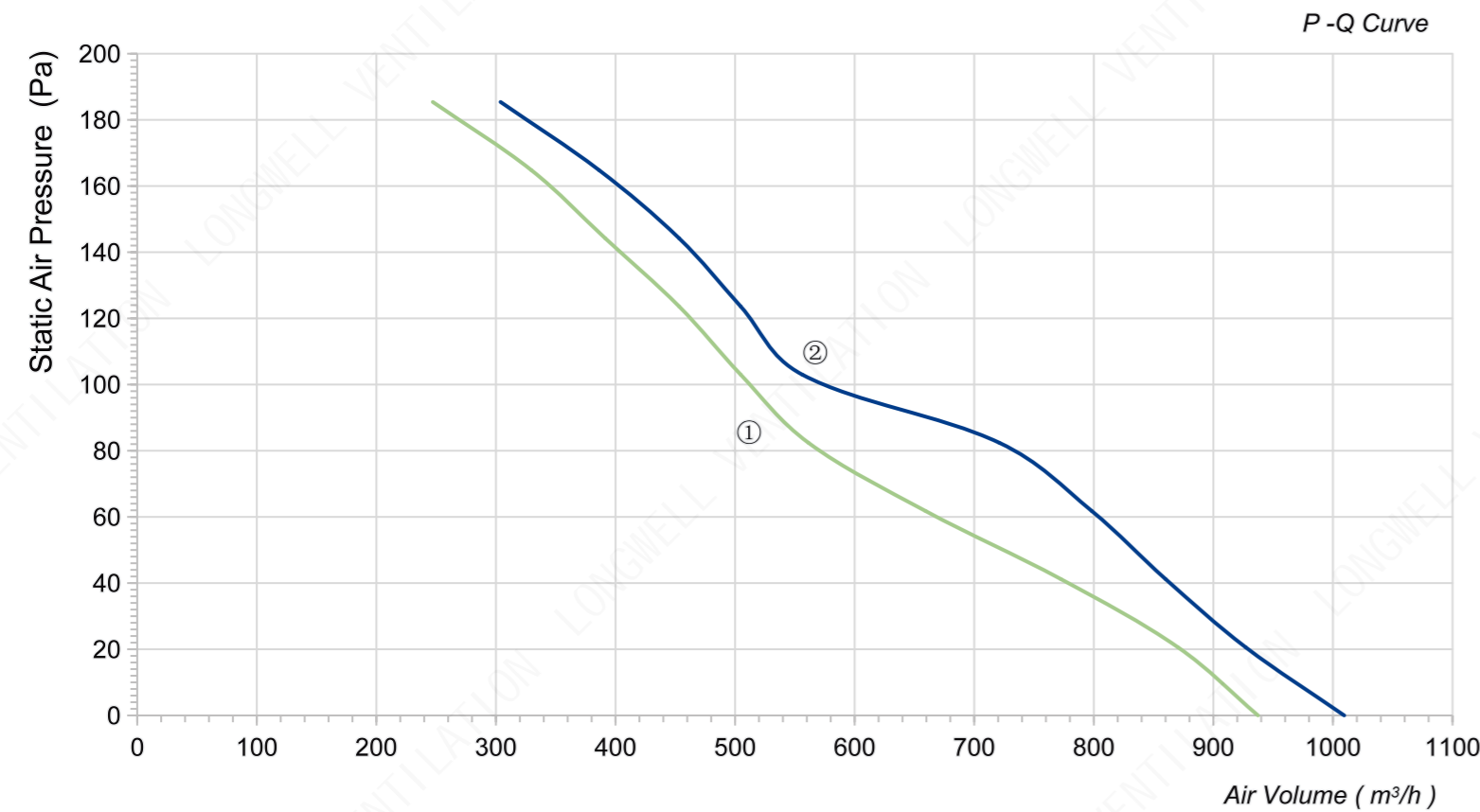
Product Characteristic

- Blades : Cold rolled steel
- Number of blades: 7
- Mode of operation: S1
- Type of protection: IP44
- Insulation class: F
- Operation Temperature: -30~+60 C

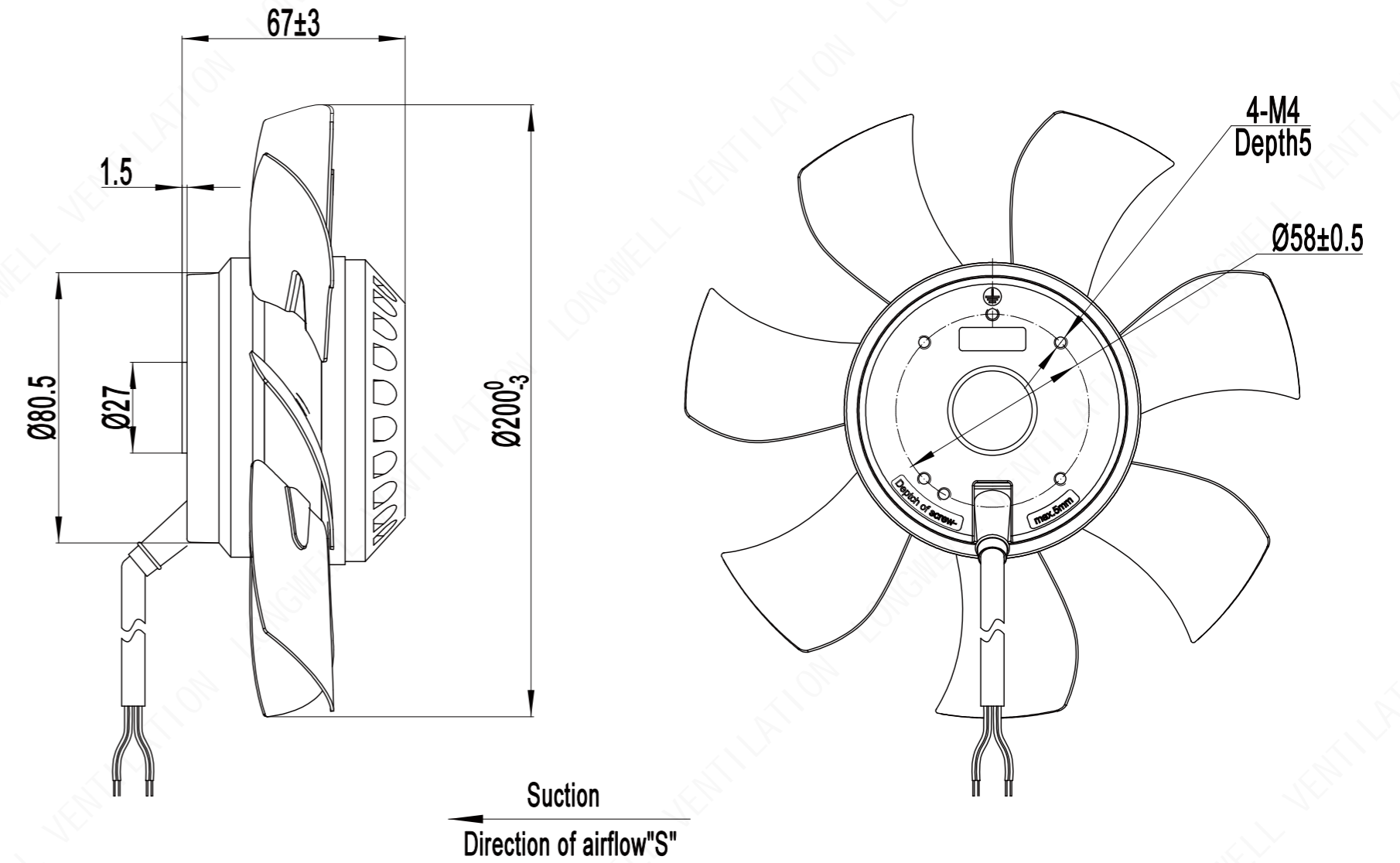


Technical Specifications

Model	Voltage (V)	Frequency (Hz)	Current (A)	Power (W)	Speed (RPM)	Air Volume (m³/h)	Capacitor (uF)	Noise [dB(A)]	Curve
LWAA2D200S-7MNV-01	380/400	50	0.21	65	2300	906	/	53	①
LWAA2D200S-7MNV-02	380/400	60	0.24	80	2600	1009	/	55	②



Product Drawing (mm)



LWAA-200 Series

Product Characteristic

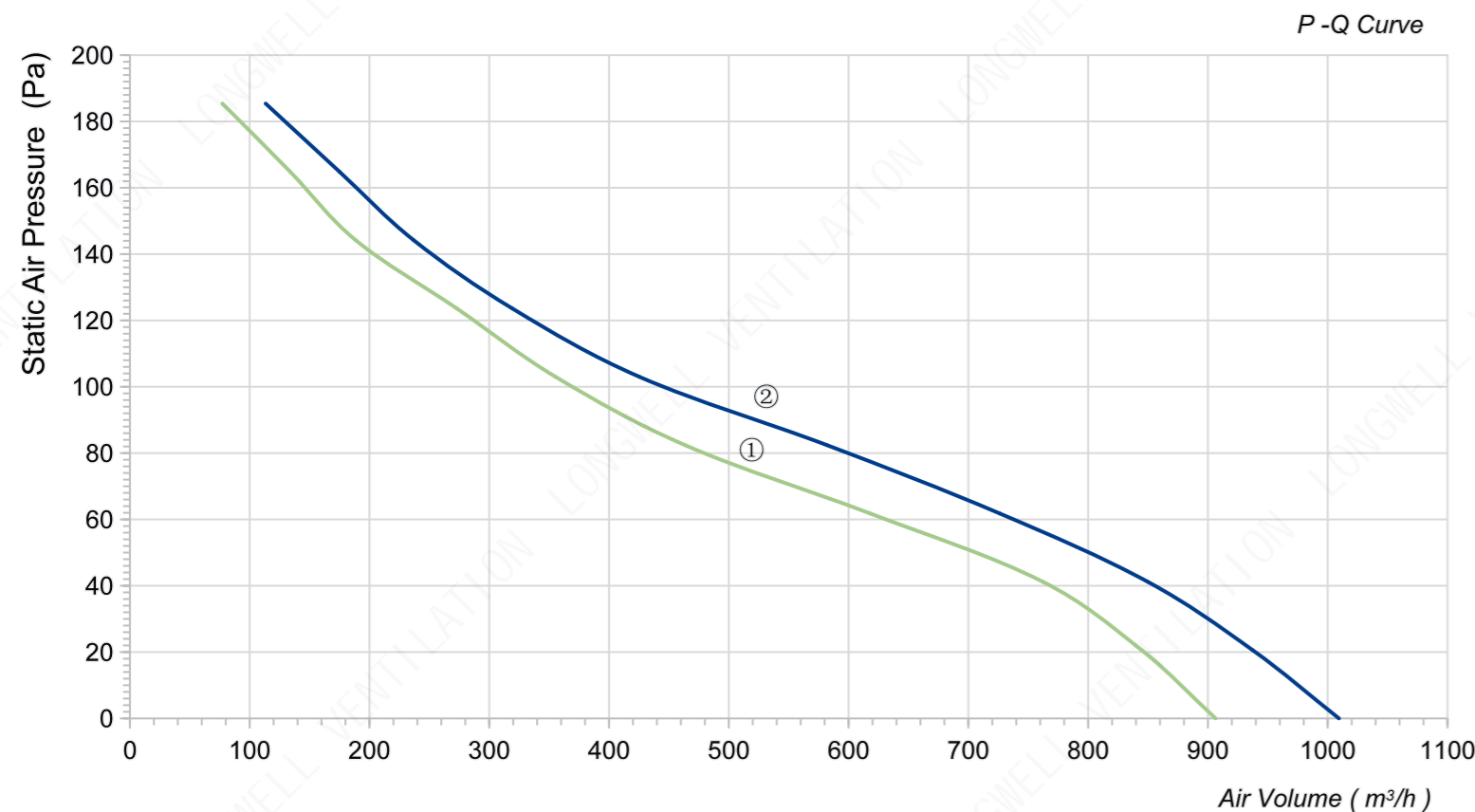
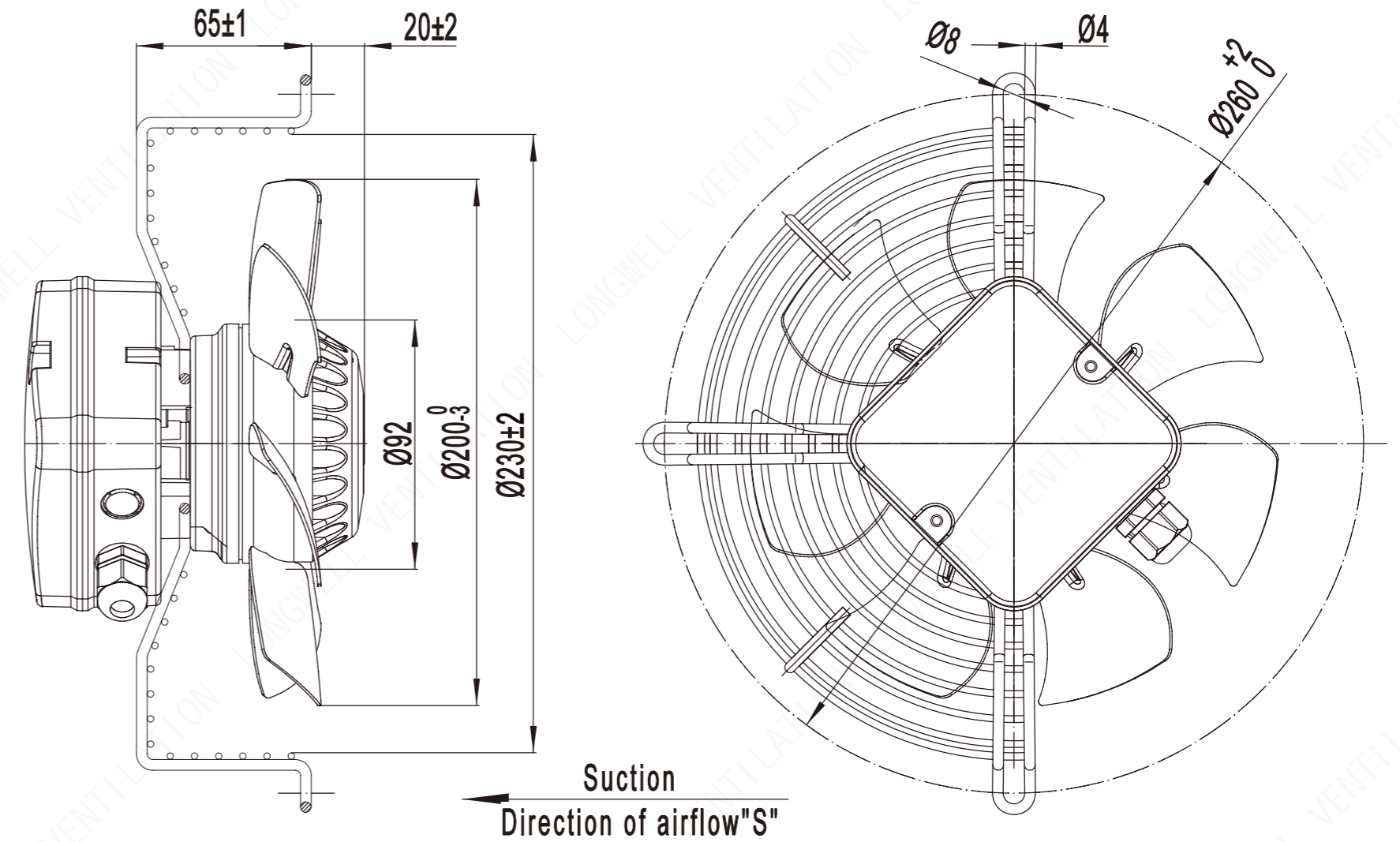
- Blades : Cold rolled steel
- Number of blades: 7
- Mode of operation: S1
- Type of protection: IP44
- Insulation class: F
- Operation Temperature: -30~+60 C



Technical Specifications

Model	Voltage (V)	Frequency (Hz)	Current (A)	Power (W)	Speed (RPM)	Air Volume (m³/h)	Capacitor (uF)	Noise [dB(A)]	Curve
LWAA2E200S-7MEB-03	220/230	50	0.3	65	2300	906	2	53	①
LWAA2E200S-7MEB-04	220/230	60	0.34	80	2600	1009	2	55	②
LWAA2D200S-7MEB-05	380/400	50	0.6	65	2300	906	/	53	①
LWAA2D200S-7MEB-06	380/400	60	0.13	70	2400	1009	/	55	②

Product Drawing (mm)



LWAA-200 Series

Product Characteristic

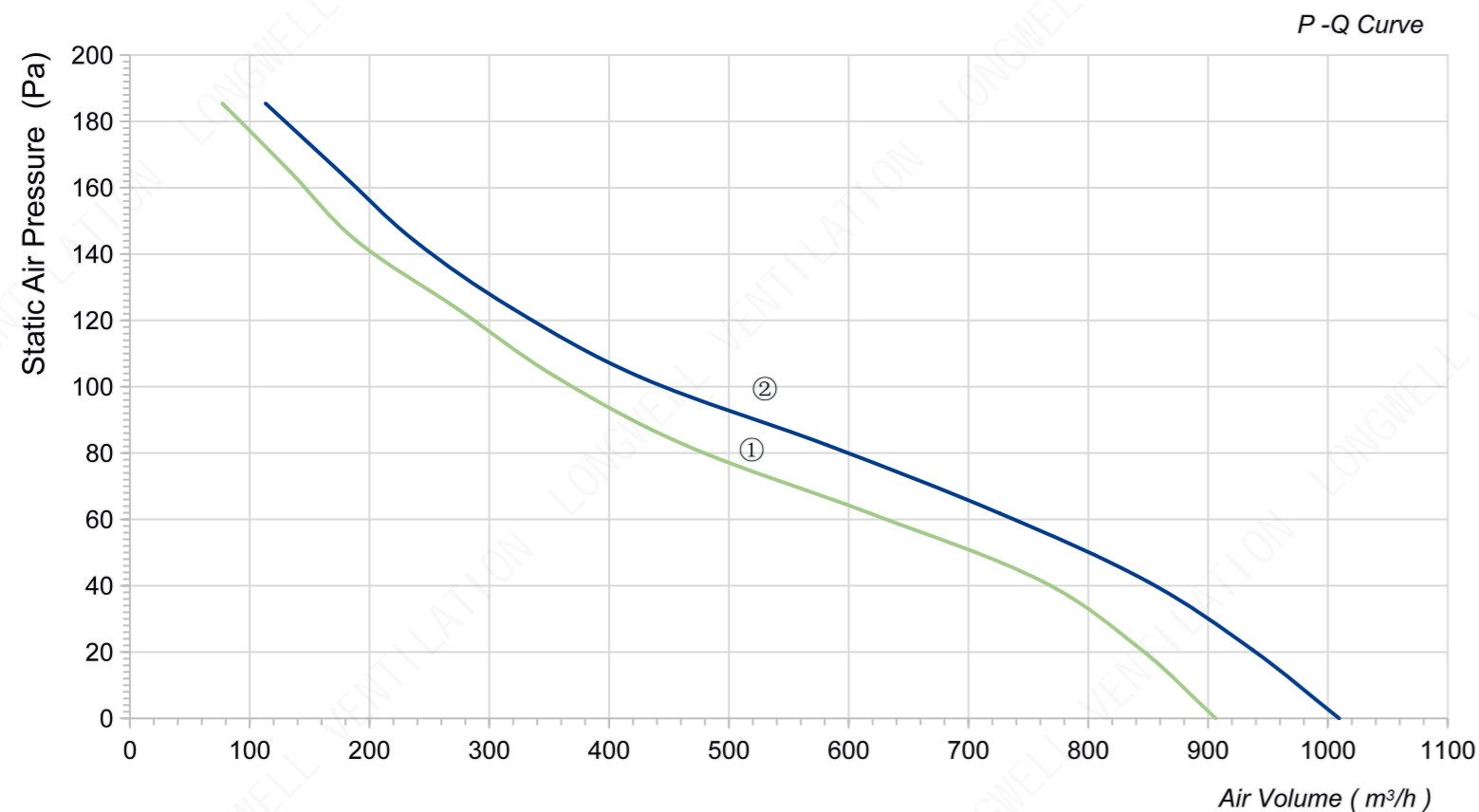
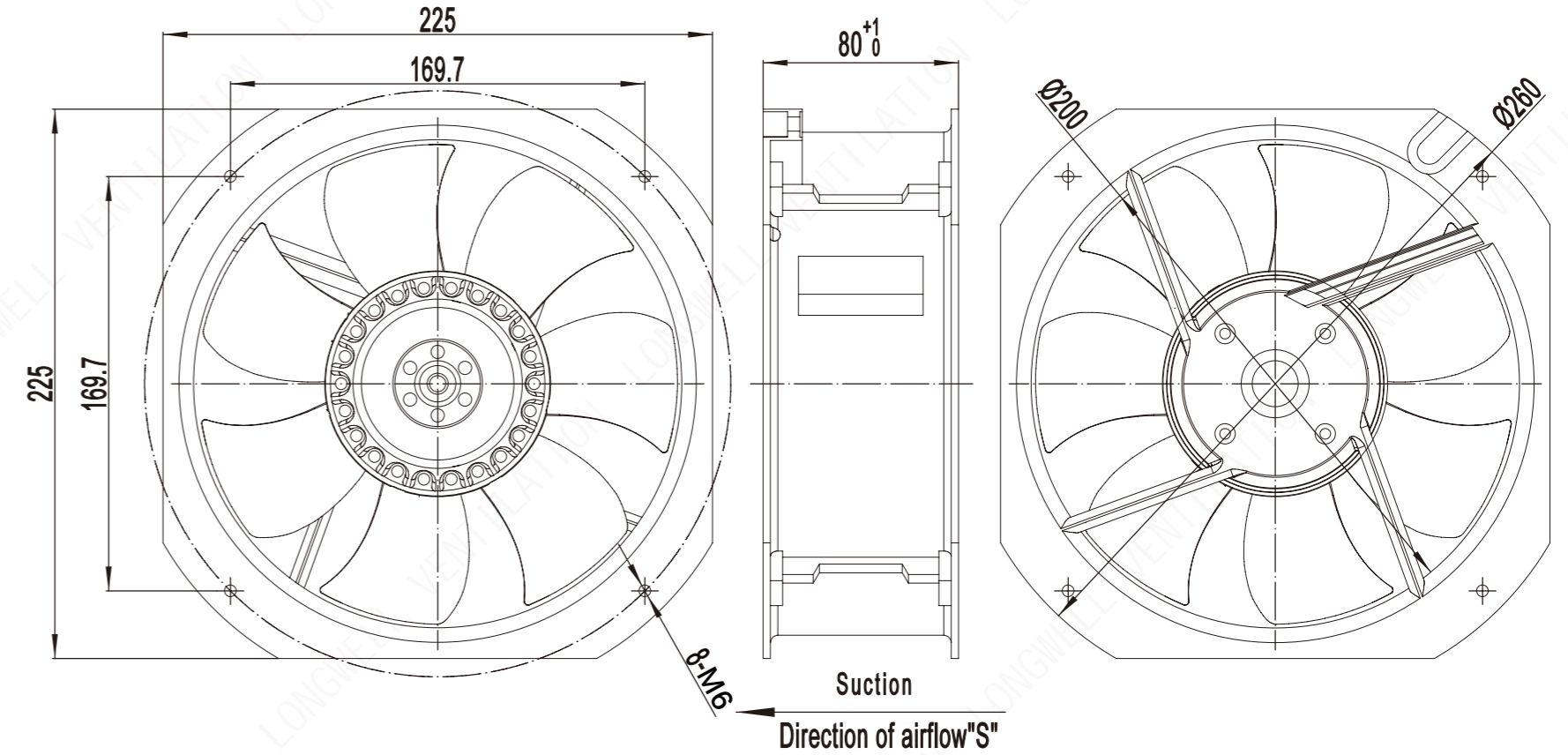
- Blades : Cold rolled steel
- Number of blades: 7
- Mode of operation: S1
- Type of protection: IP44
- Insulation class: F
- Operation Temperature: -30~+60 C



Technical Specifications

Model	Voltage (V)	Frequency (Hz)	Current (A)	Power (W)	Speed (RPM)	Air Volume (m³/h)	Capacitor (uF)	Noise [dB(A)]	Curve
LWAA2E200S-7MKW-07	220/230	50	0.3	60	2250	906	2	58	①
LWAA2E200S-7MKW-08	220/230	60	0.34	75	2800	1009	2	60	②
LWAA2D200S-7MKW-09	380/400	50	0.16	65	2300	906	/	58	①
LWAA2D200S-7MKW-10	380/400	60	0.13	70	2400	1009	/	60	②

Product Drawing (mm)



LWAA-230 Series

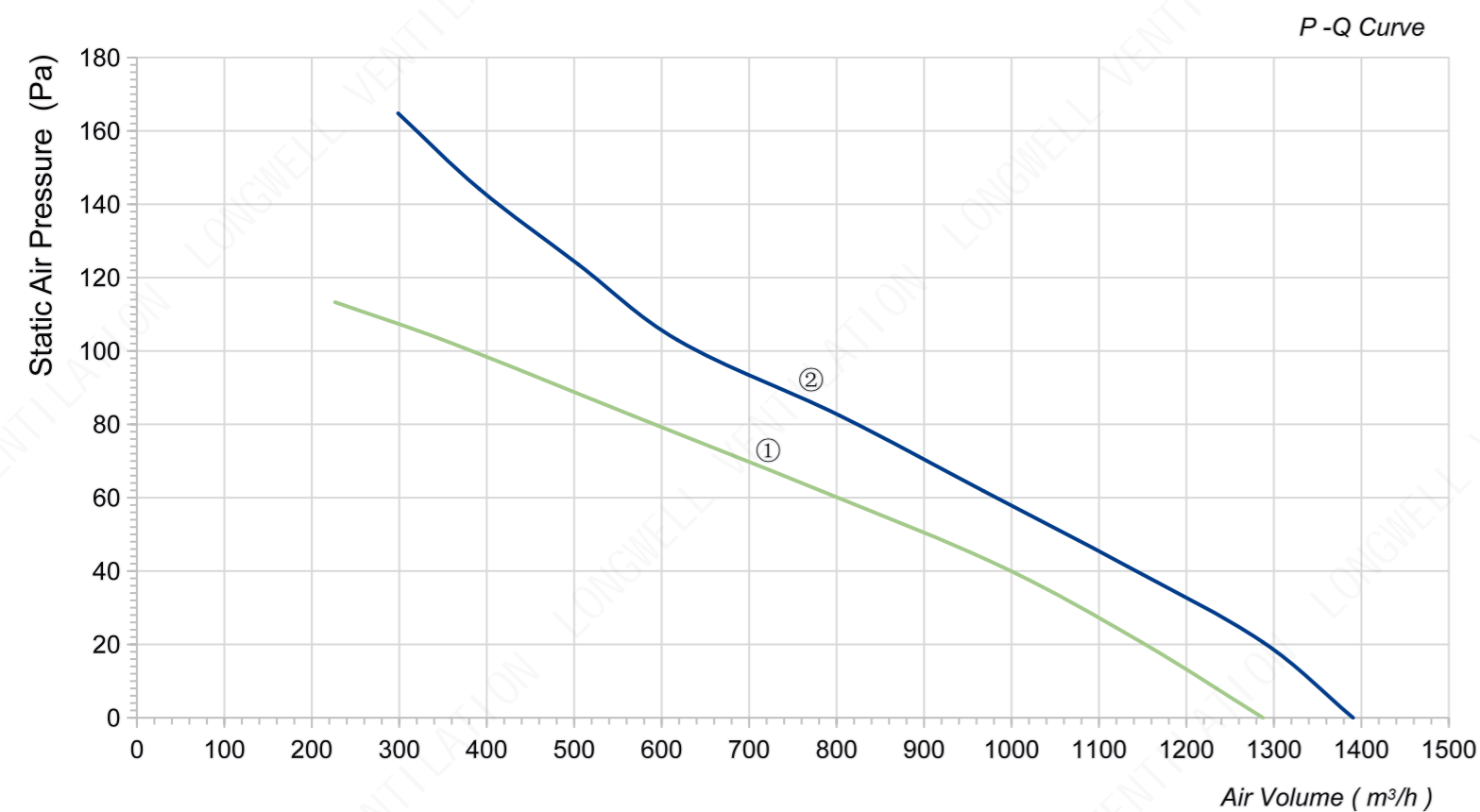
Product Characteristic

- Blades : Cold rolled steel
- Number of blades: 5
- Mode of operation: S1
- Type of protection: IP44
- Insulation class: F
- Operation Temperature: -30~+60 C

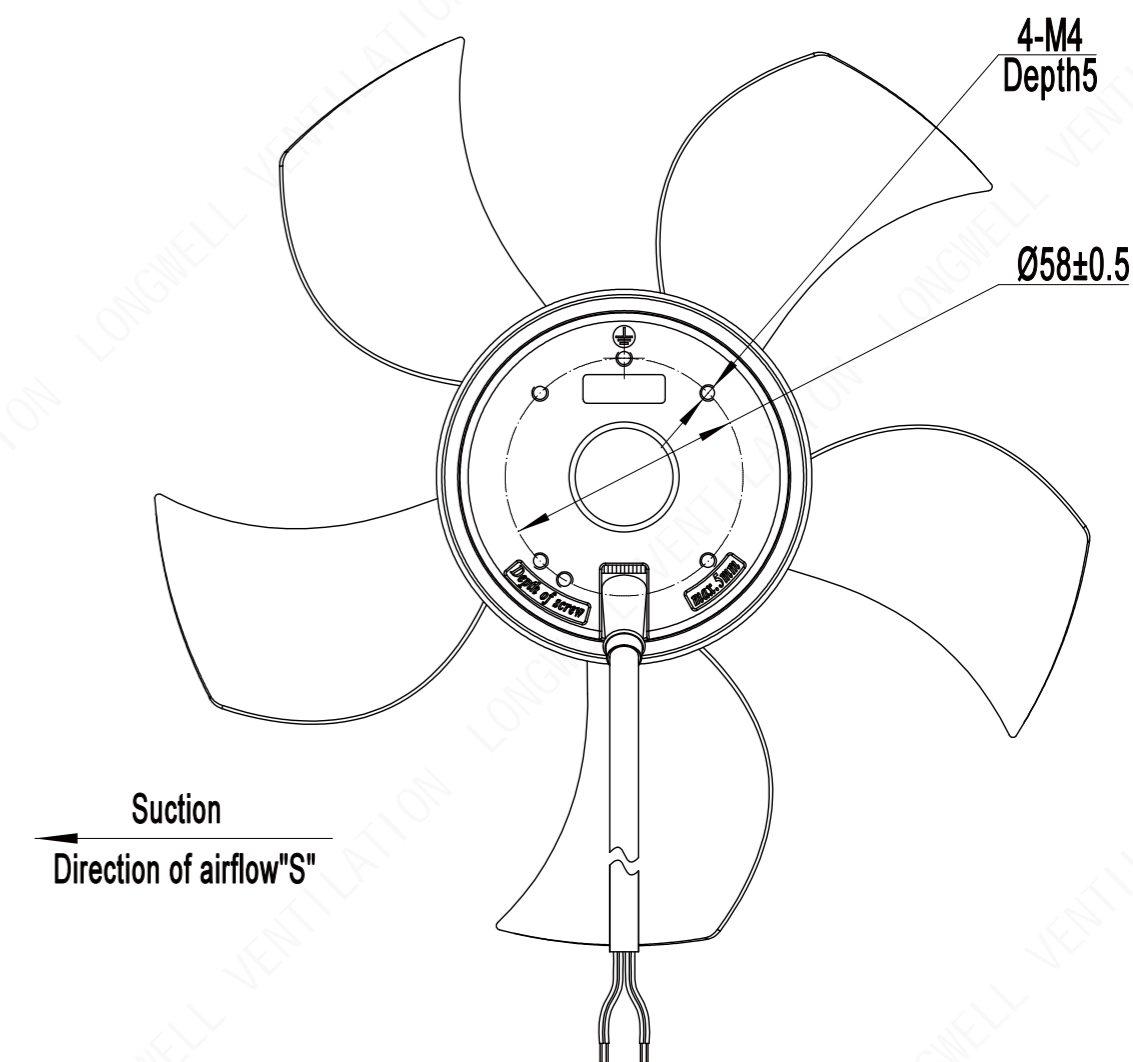
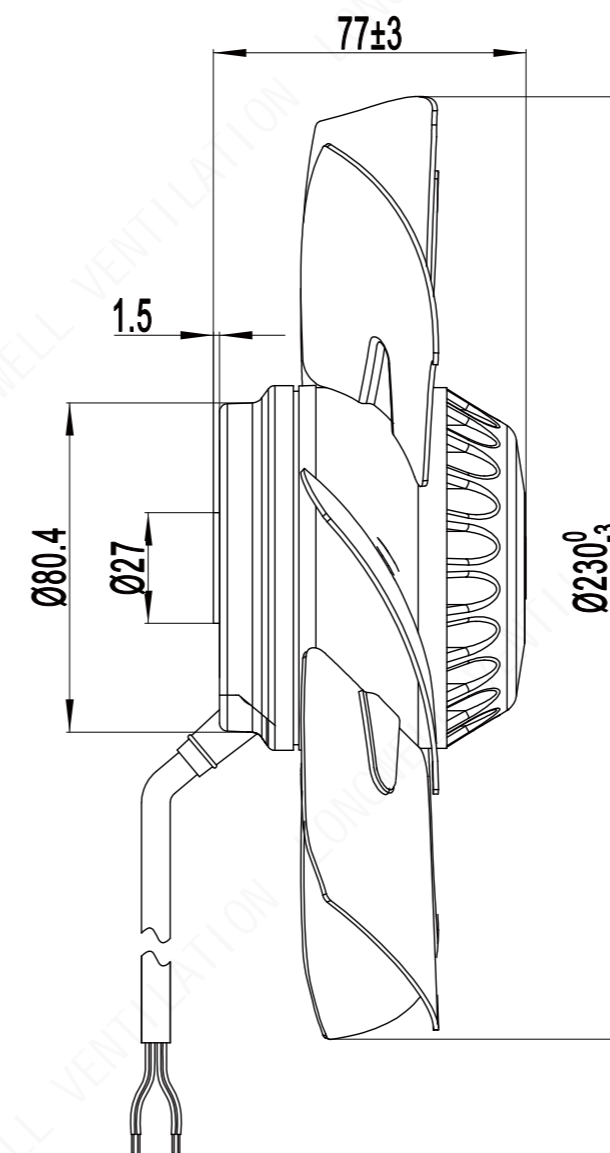


Technical Specifications

Model	Voltage (V)	Frequency (Hz)	Current (A)	Power (W)	Speed (RPM)	Air Volume (m³/h)	Capacitor (uF)	Noise [dB(A)]	Curve
LWAA2D230S-5MNW-01	380/400	50	0.23	90	2700	1288	/	59	①
LWAA2D230S-5MNW-02	380/400	60	0.22	120	2950	1391	/	61	②



Product Drawing (mm)



LWAA-250 Series

Product Characteristic

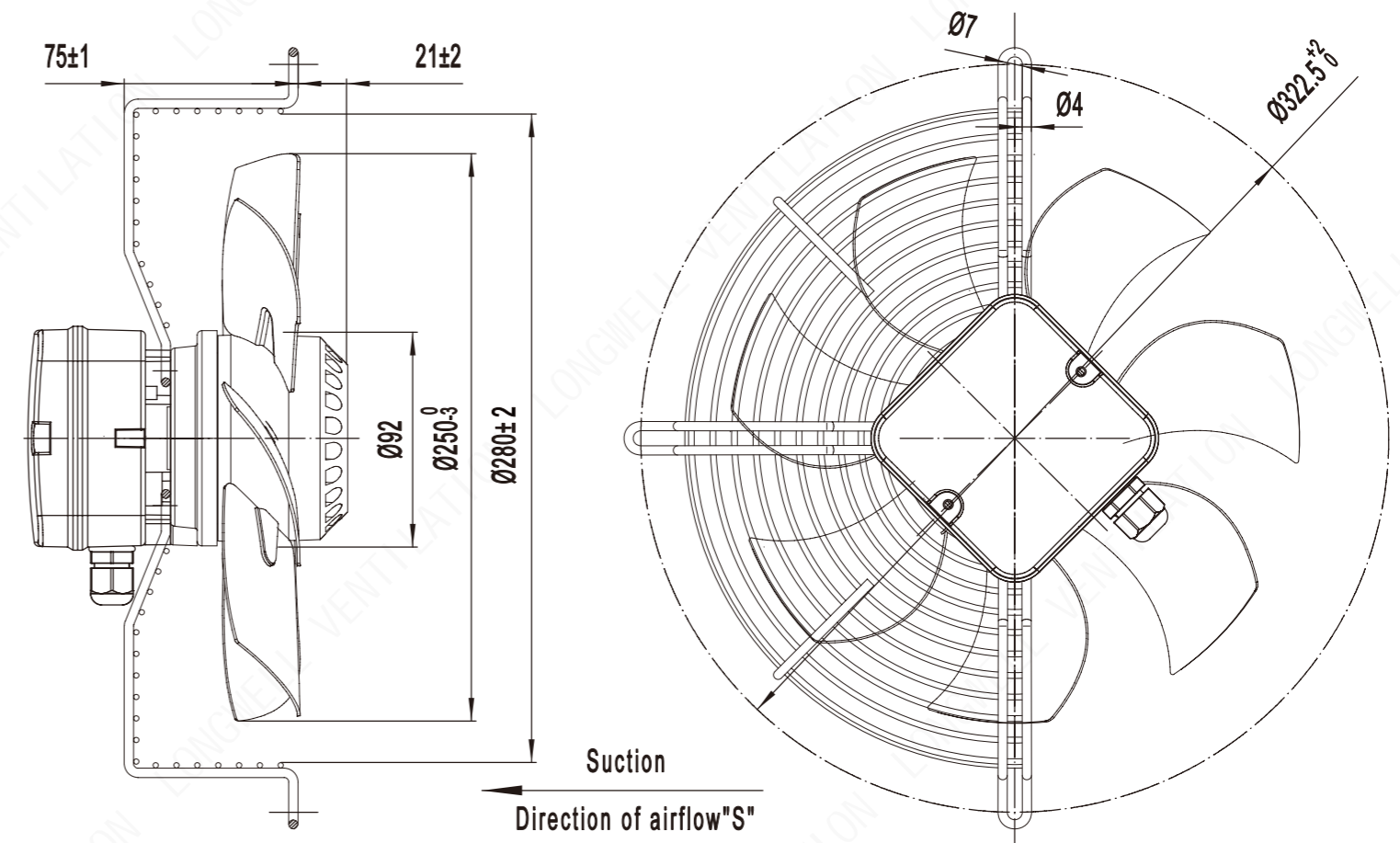
- Blades : Cold rolled steel
- Number of blades: 5/7
- Mode of operation: S1
- Type of protection: IP44
- Insulation class: F
- Operation Temperature: -30~+60 C



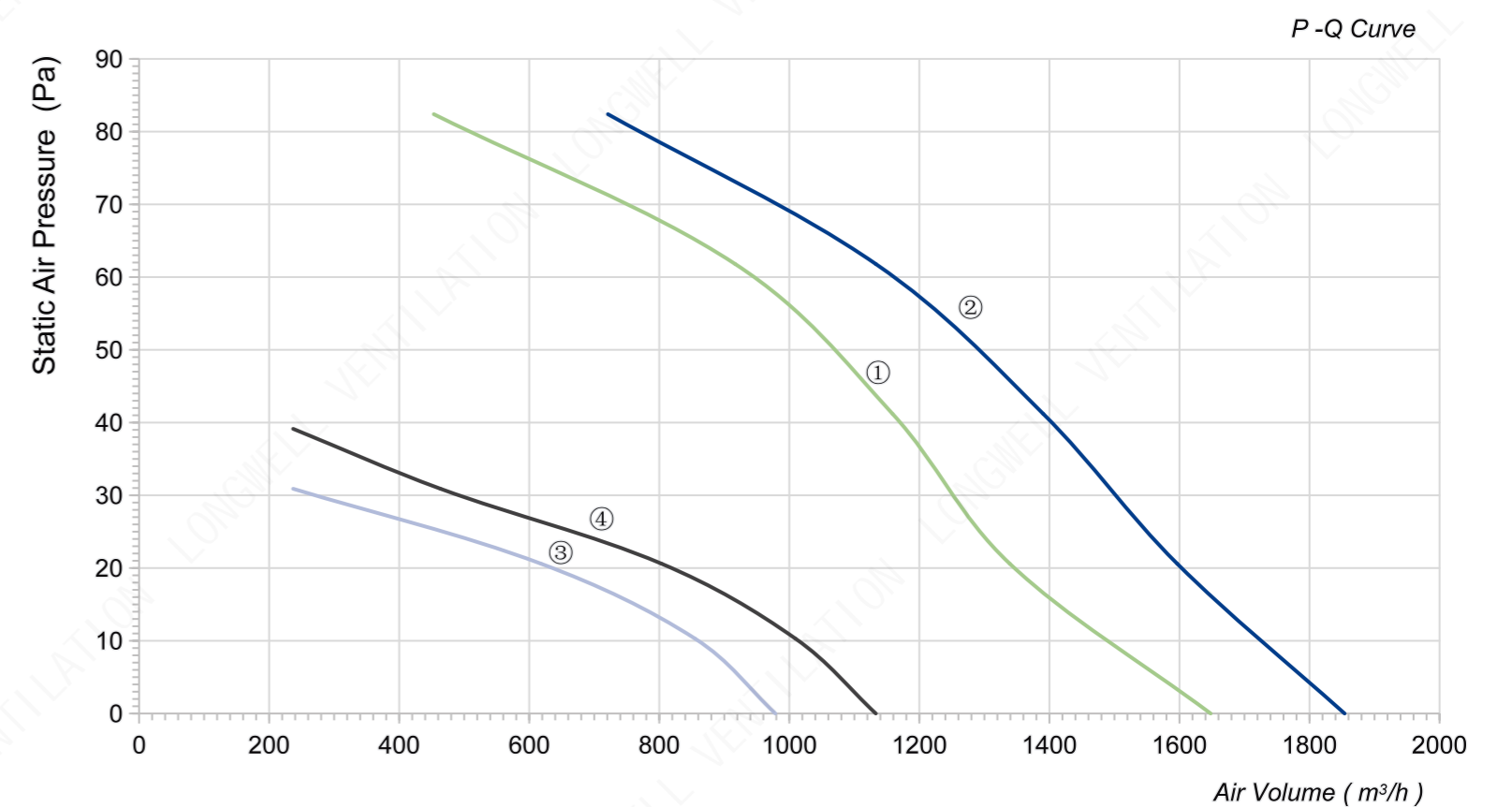
Technical Specifications

Model	Voltage (V)	Frequency (Hz)	Current (A)	Power (W)	Speed (RPM)	Air Volume (m³/h)	Capacitor (uF)	Noise [dB(A)]	Curve
LWAA2E250S-5MEB-01	220/230	50	0.5	110	2500	1648	3	65	①
LWAA2E250S-5MEB-02	220/230	60	0.65	130	2600	1854	3	67	②
LWAA2D250S-5MEB-03	380/400	50	0.18	100	2500	1648	/	65	①
LWAA2D250S-5MEB-04	380/400	60	0.22	130	2600	1854	/	67	②
LWAA4E250S-7MEB-05	220/230	50	0.25	50	1400	979	2	53	③
LWAA4E250S-7MEB-06	220/230	60	0.27	60	1650	1133	2	54	④
LWAA4D250S-7MEB-07	380/400	50	0.18	50	1400	979	/	53	③
LWAA4D250S-7MEB-08	380/400	60	0.15	45	1650	1133	/	54	④

Product Drawing (mm)



Flow Rate Curve



LWAA-250 Series

Product Characteristic

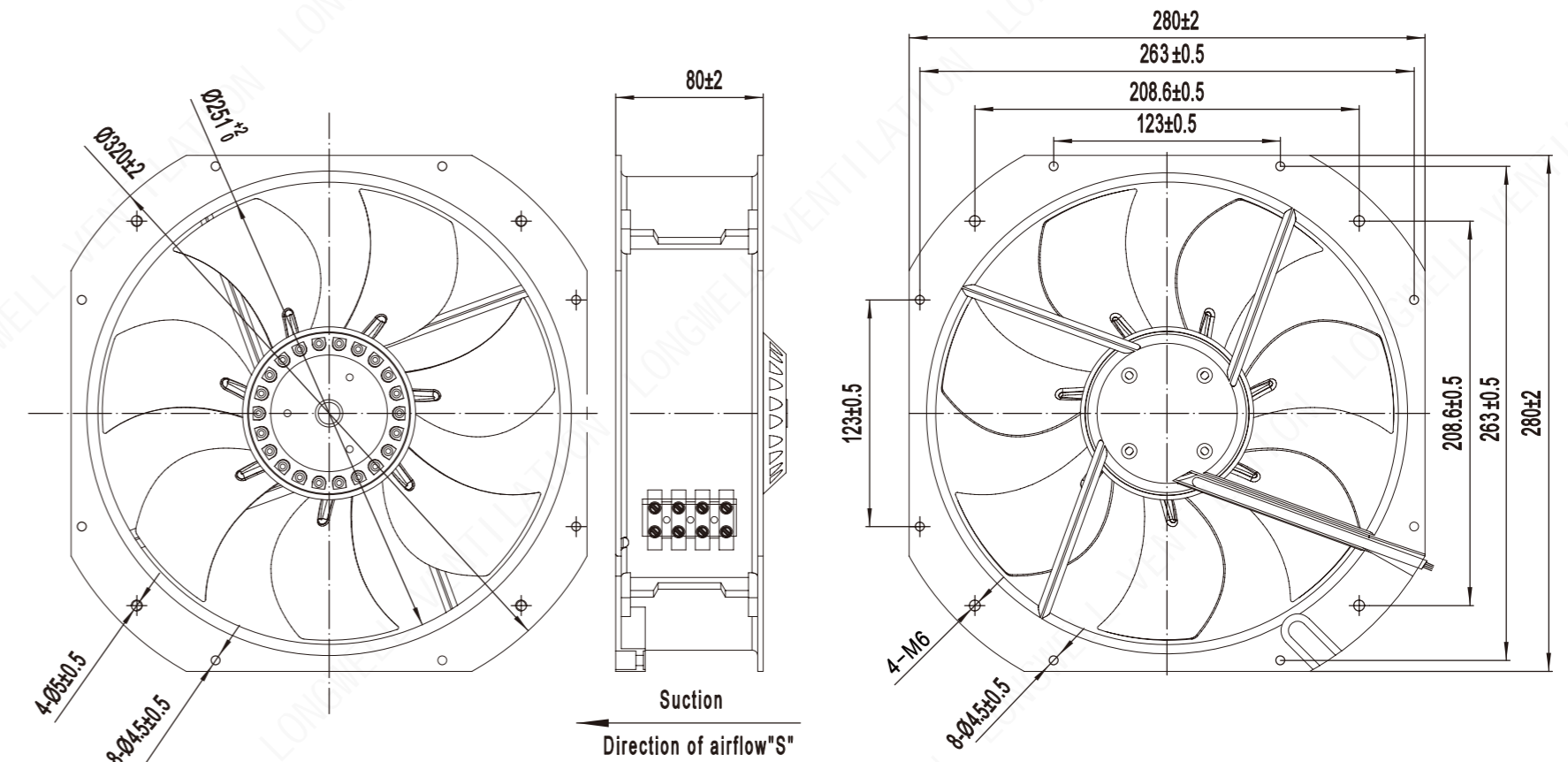
- Blades : Cold rolled steel
- Number of blades: 5/7
- Mode of operation: S1
- Type of protection: IP44
- Insulation class: F
- Operation Temperature: -30~+60 C



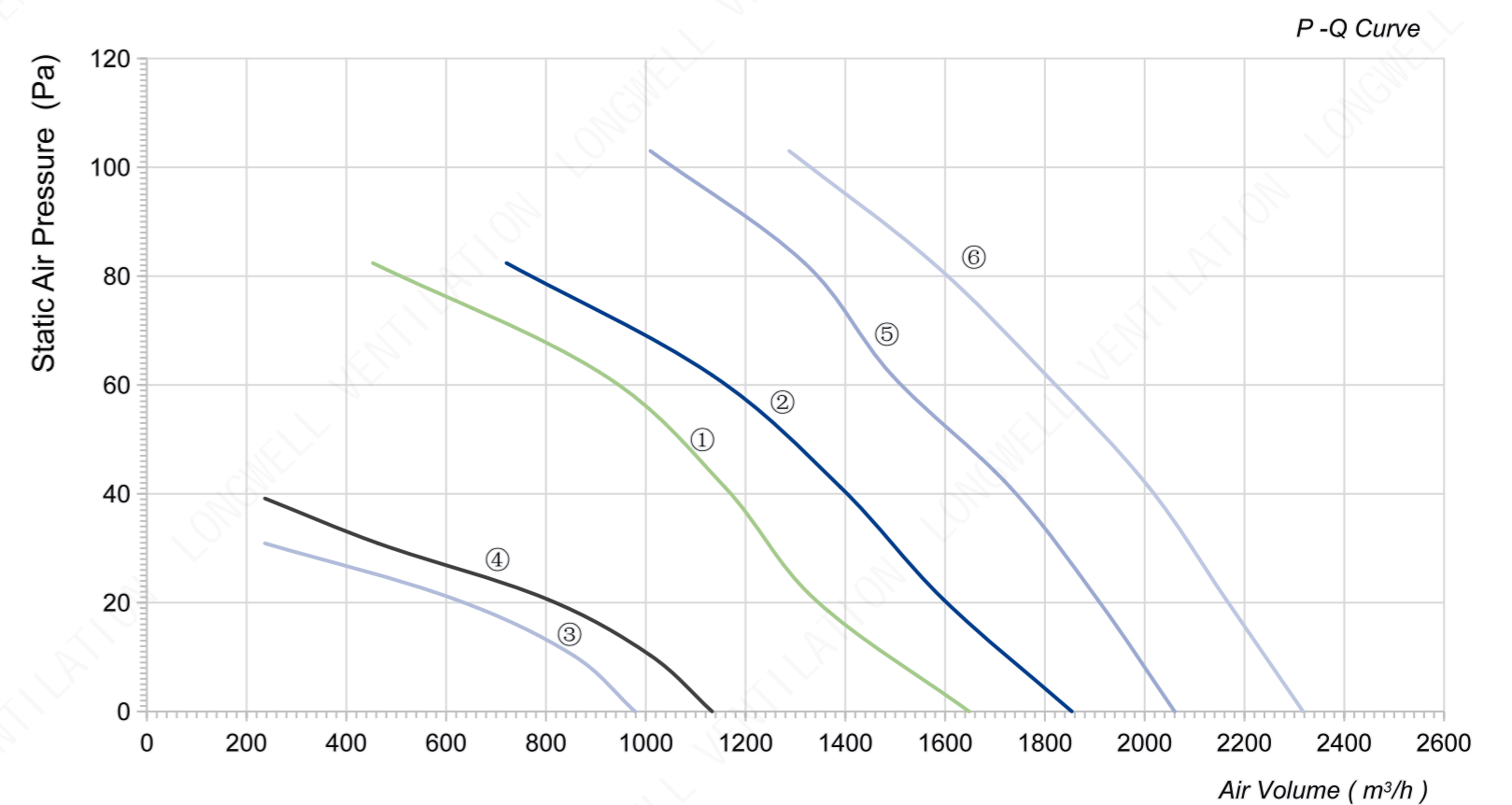
Technical Specifications

Model	Voltage (V)	Frequency (Hz)	Current (A)	Power (W)	Speed (RPM)	Air Volume (m³/h)	Capacitor (uF)	Noise [dB(A)]	Curve
LWAA2E250S-5MKW-09	220/230	50	0.42	90	2600	1648	3	66	①
LWAA2E250S-5MKW-10	220/230	60	0.55	115	2900	1854	3	67	②
LWAA2D250S-5MKW-11	380/400	50	0.2	100	2500	1648	/	66	①
LWAA2D250S-5MKW-12	380/400	60	0.22	130	2600	1854	/	67	②
LWAA4E250S-7MKW-13	220/230	50	0.25	50	1400	979	2	53	③
LWAA4E250S-7MKW-14	220/230	60	0.3	55	1620	1133	2	54	④
LWAA2E250S-7MEB-15	220/230	50	0.6	130	2700	2060	4	67	⑤
LWAA2E250S-7MEB-16	220/230	60	0.7	170	2900	2318	4	69	⑥

Product Drawing (mm)



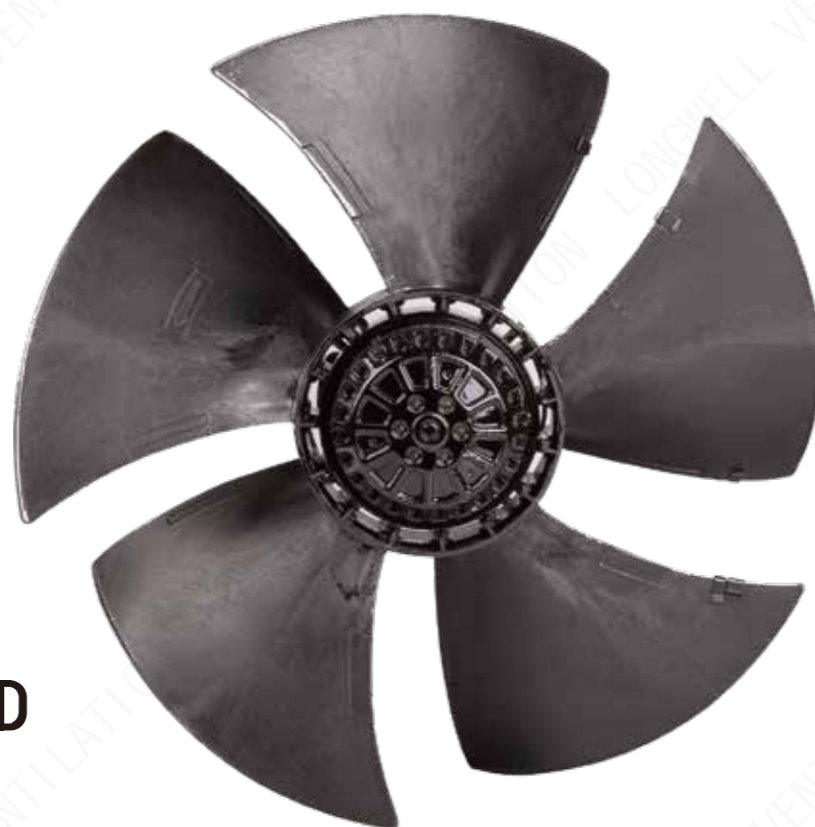
Flow Rate Curve



LWAA-295 Series

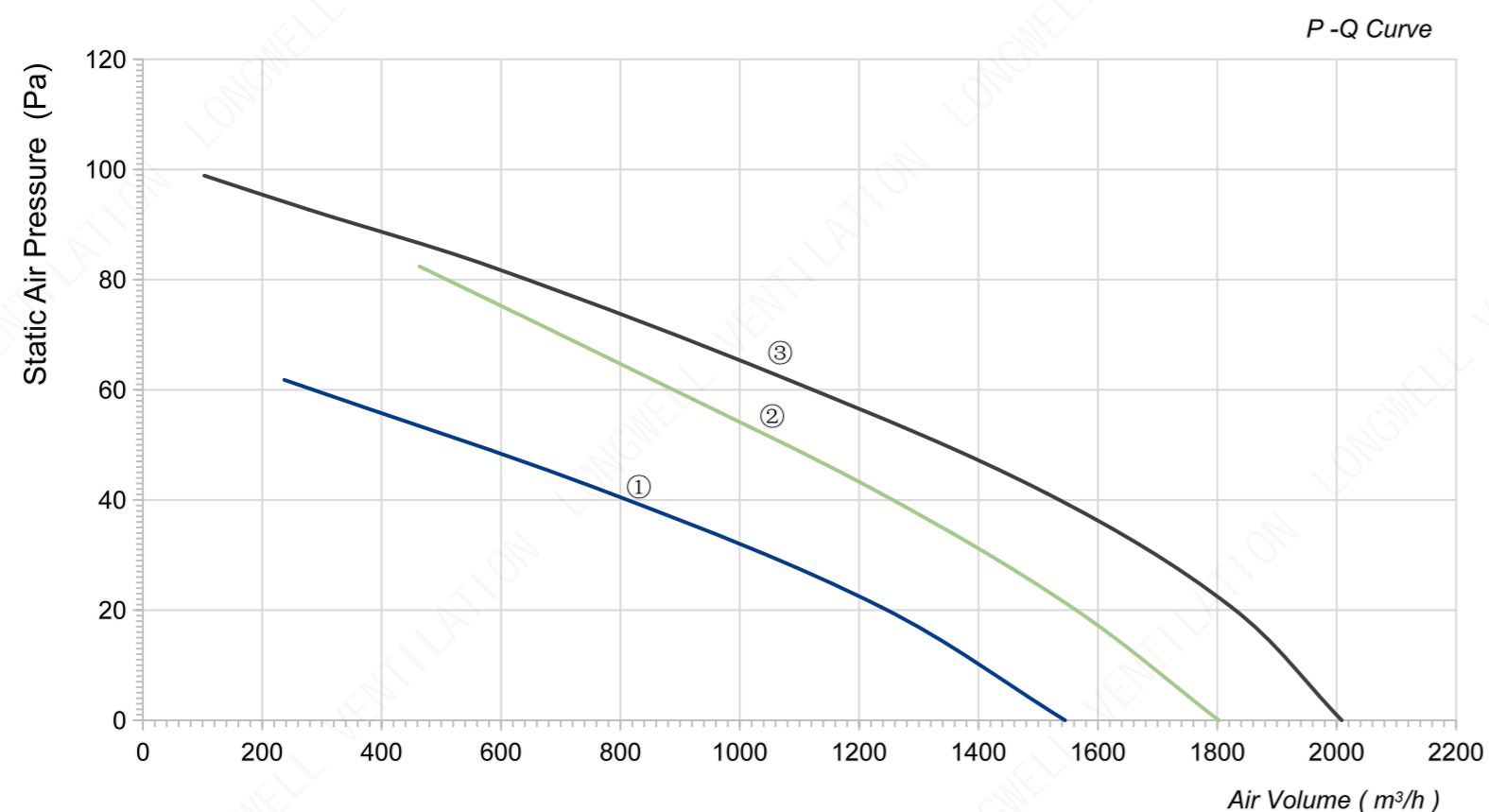
Product Characteristic

- Blades : Plastic PA66
- Number of blades: 5
- Mode of operation: S1
- Type of protection: IP44
- Insulation class: F
- Operation Temperature: -30~+60 C

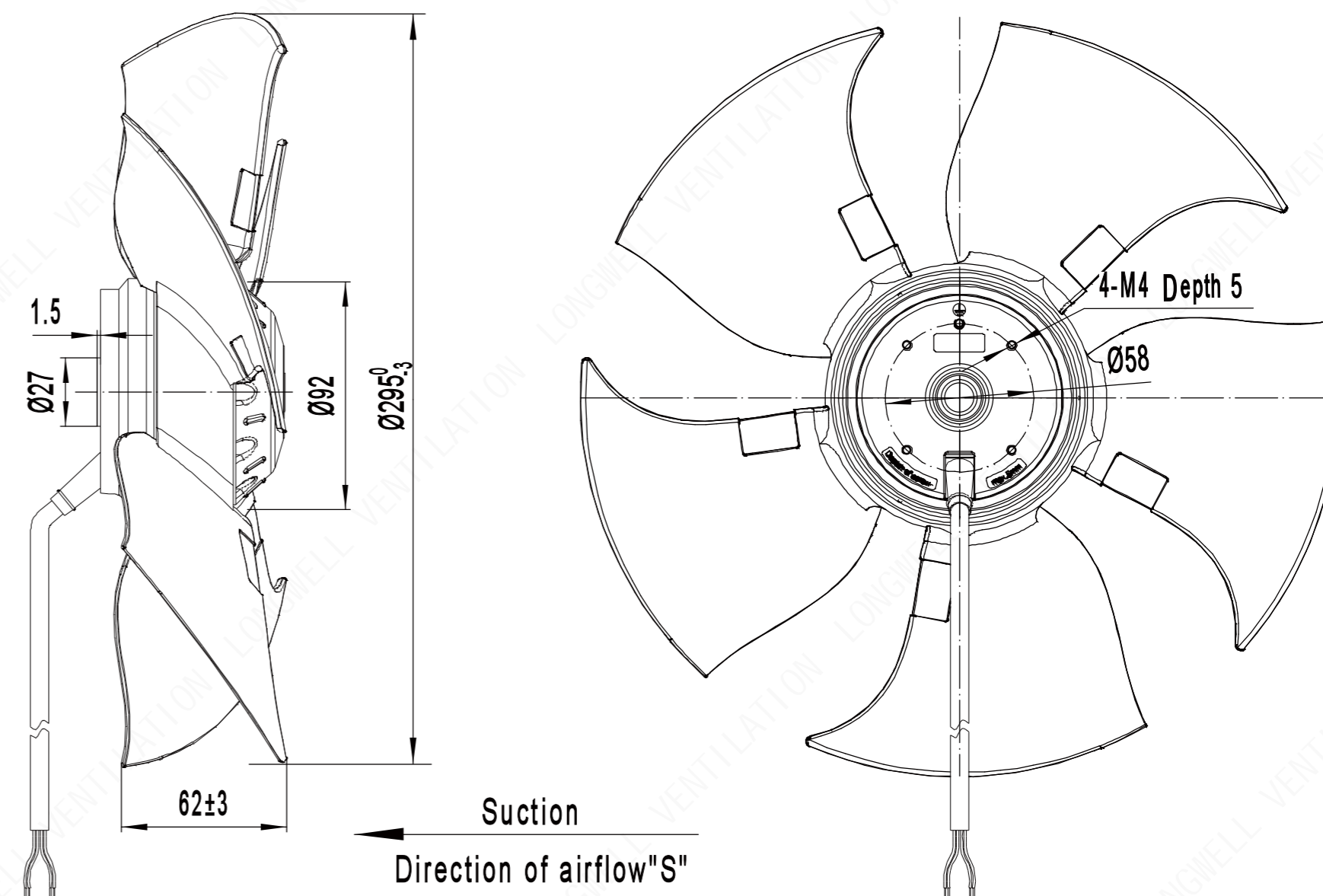


Technical Specifications

Model	Voltage (V)	Frequency (Hz)	Current (A)	Power (W)	Speed (RPM)	Air Volume (m³/h)	Capacitor (uF)	Noise [dB(A)]	Curve
LWAA4E295S-5PNW-01	220/230	50	0.3	65	1200	1545	2	45	①
LWAA4E295S-5PNW-02	220/230	50	0.4	80	1400	1597	3	48	①
LWAA4D295S-5PNW-03	380/400	50	0.19	75	1330	1803	/	49	②
LWAA4D295S-5PNW-04	380/400	60	0.17	90	1450	2009	/	50	③



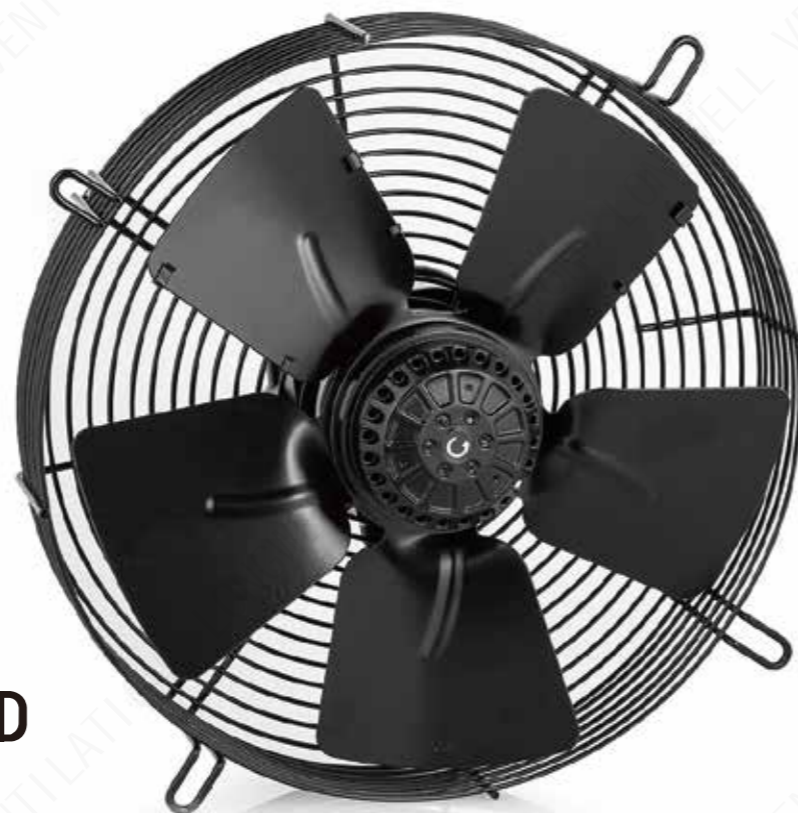
Product Drawing (mm)



LWAA-300 Series

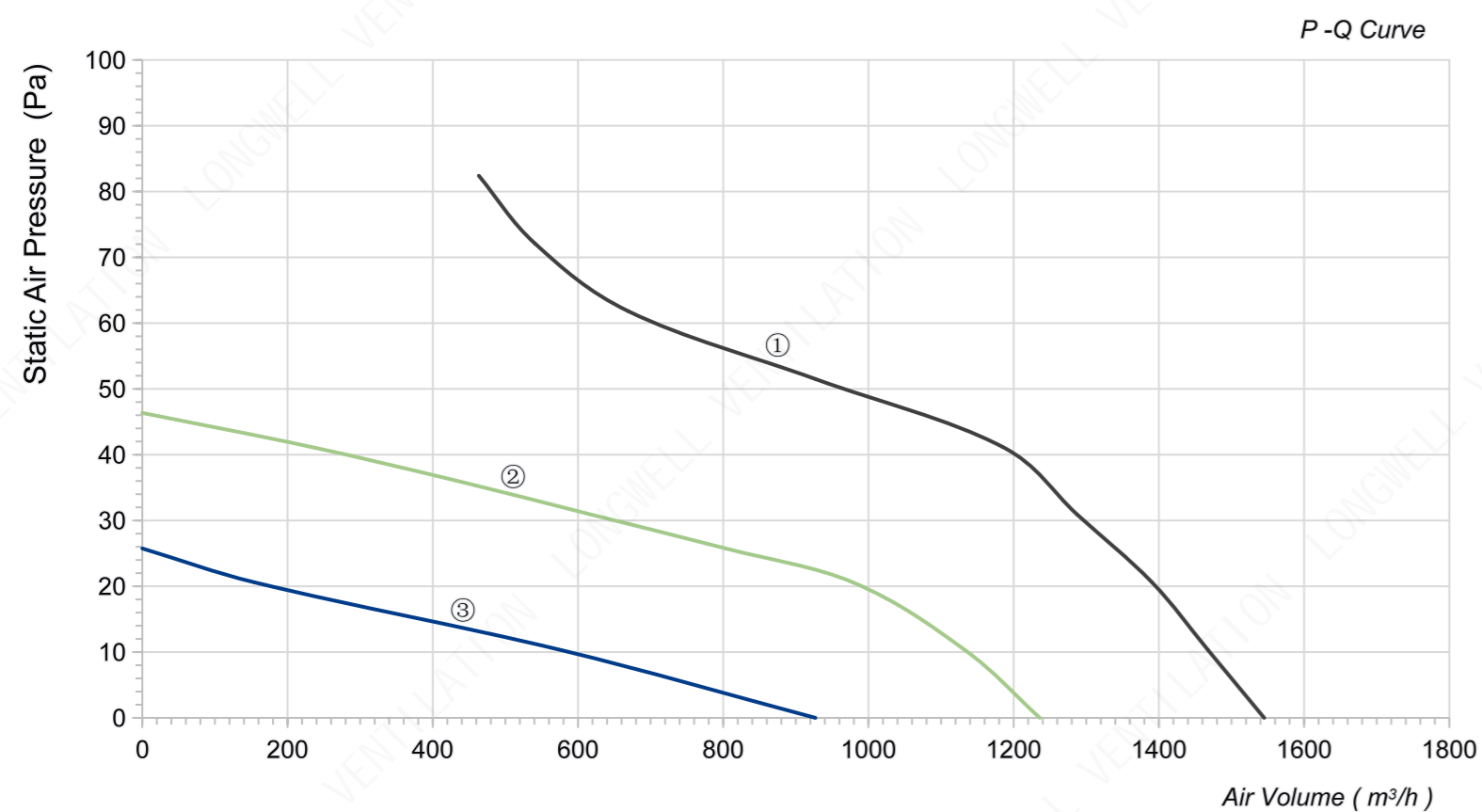
Product Characteristic

- Blades : Cold rolled steel
- Number of blades: 5
- Mode of operation: S1
- Type of protection: IP44
- Insulation class: F
- Operation Temperature: -30~+60 C

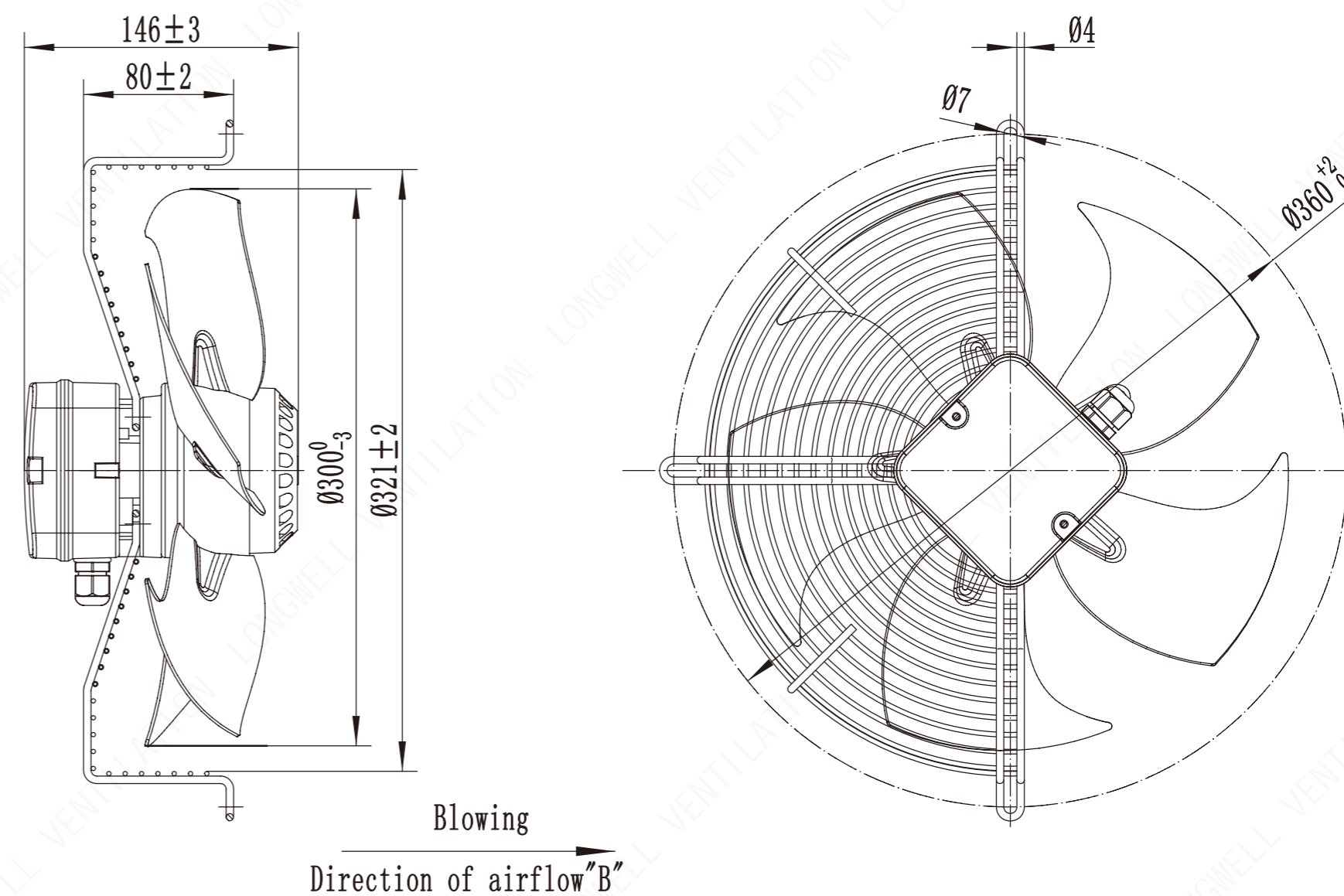


Technical Specifications

Model	Voltage (V)	Frequency (Hz)	Current (A)	Power (W)	Speed (RPM)	Air Volume (m³/h)	Capacitor (uF)	Noise [dB(A)]	Curve
	220/230	50	0.35	75	1400	1545	3	48	①
LWAA4E300B-5MEB-09	220/230	50	0.28	60	1100	1288	3	41	②
	220/230	50	0.25	55	800	927	3	28	③



Product Drawing (mm)



LWAA-300 Series

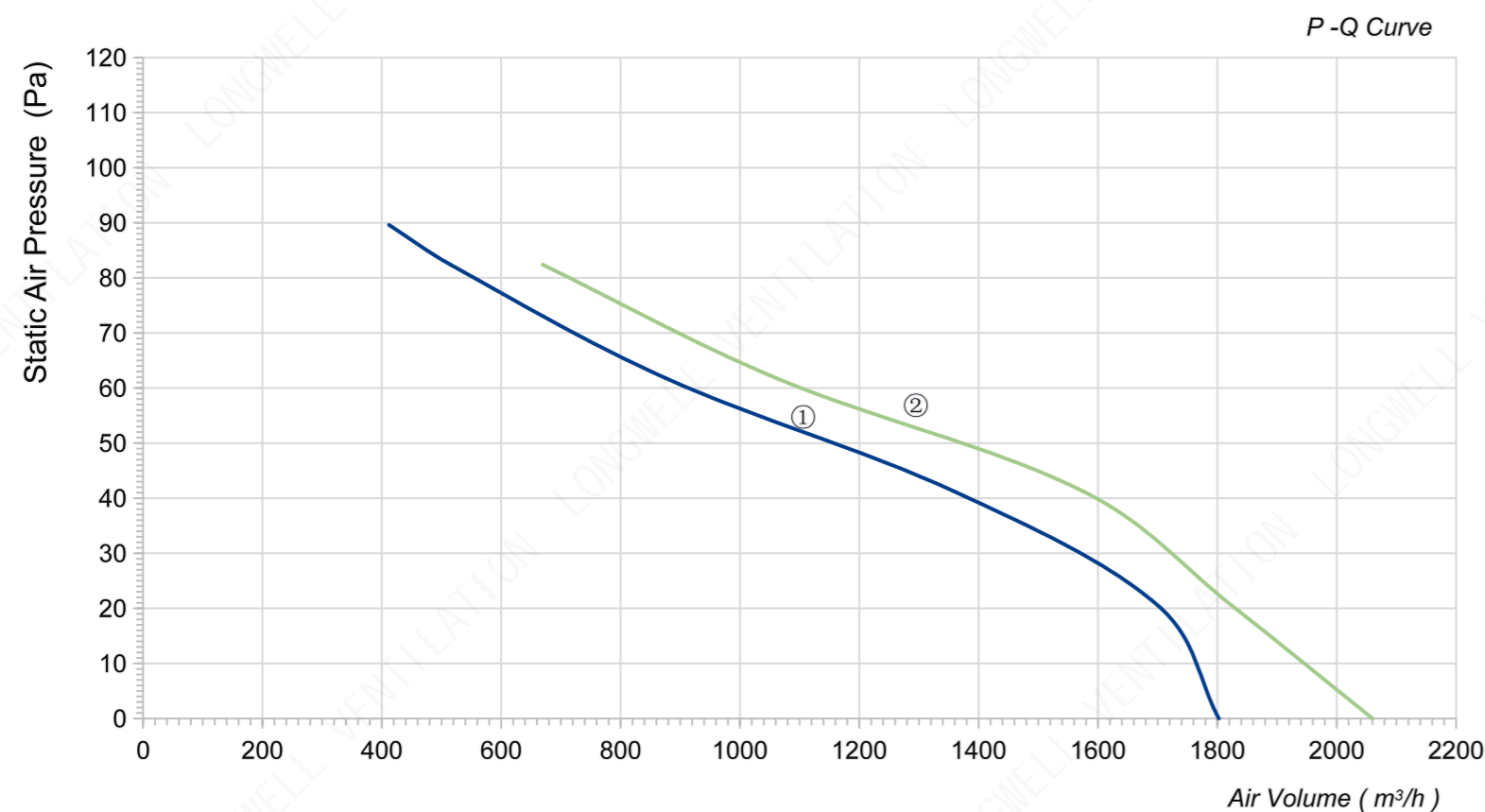
Product Characteristic

- Blades : Cold rolled steel
- Number of blades: 5
- Mode of operation: S1
- Type of protection: IP44
- Insulation class: F
- Operation Temperature: -30~+60 C

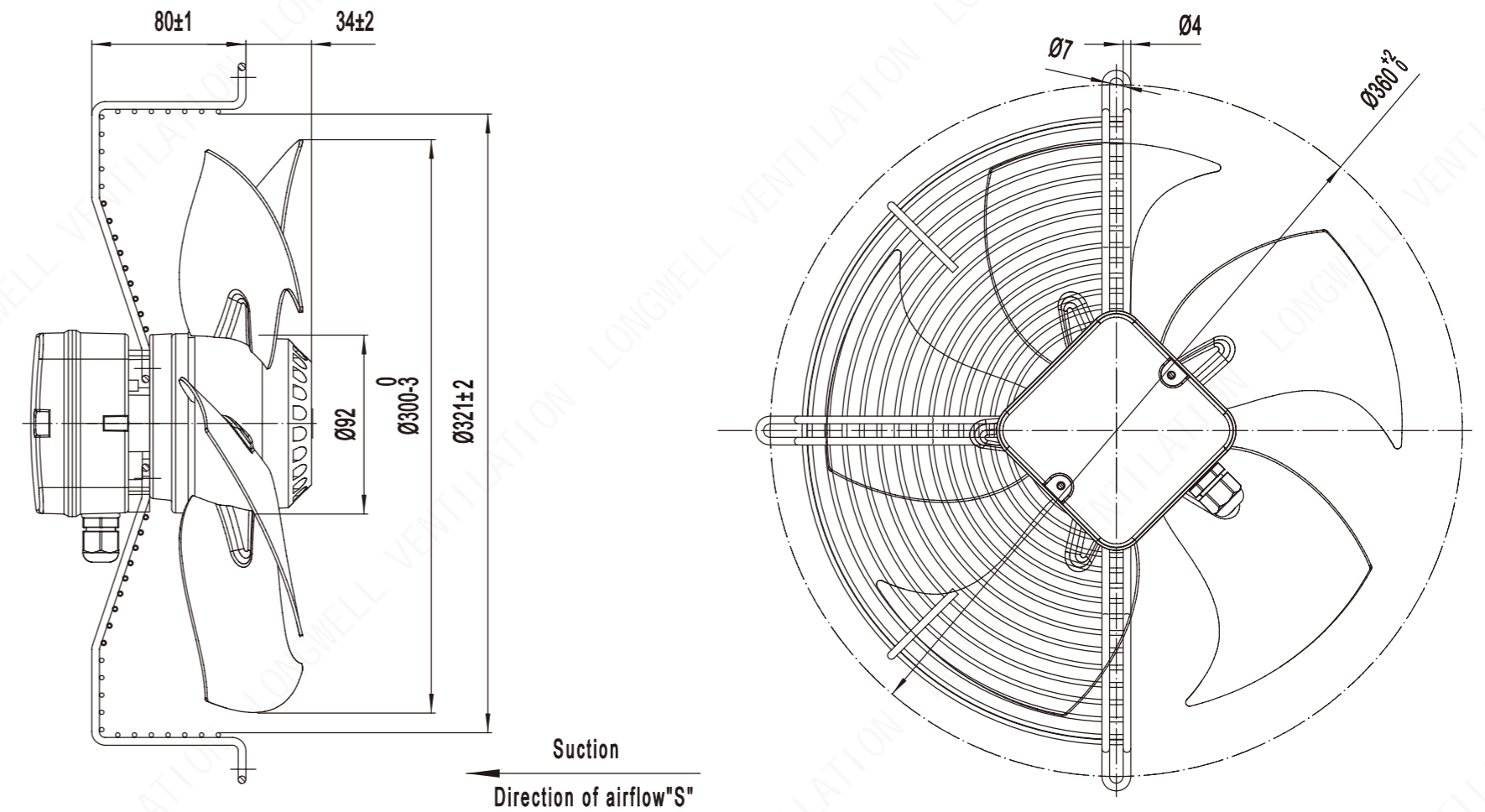


Technical Specifications

Model	Voltage (V)	Frequency (Hz)	Current (A)	Power (W)	Speed (RPM)	Air Volume (m³/h)	Capacitor (uF)	Noise [dB(A)]	Curve
LWAA4E300S-5MEB-01	220/230	50	0.42	90	1350	1803	3	52	①
LWAA4E300S-5MEB-02	220/230	60	0.51	115	1600	2060	3	55	②
LWAA4D300S-5MEB-03	380/400	50	0.25	90	1380	1803	/	52	①
LWAA4D300S-5MEB-04	380/400	60	0.26	120	1640	2060	/	55	②



Product Drawing (mm)



LWAA-300 Series

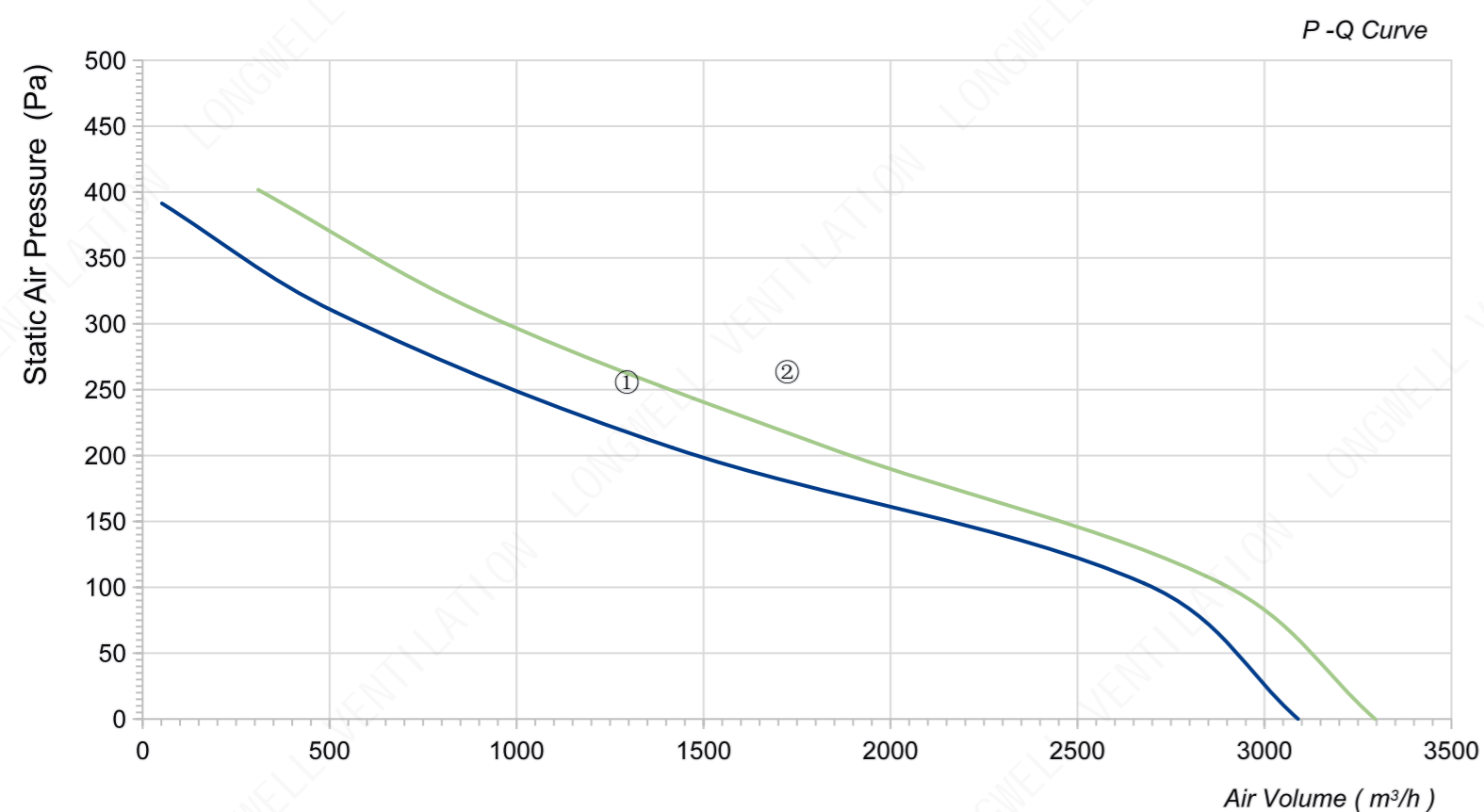
Product Characteristic

- Blades : Cold rolled steel
- Number of blades: 5
- Mode of operation: S1
- Type of protection: IP44
- Insulation class: F
- Operation Temperature: -30~+60 C

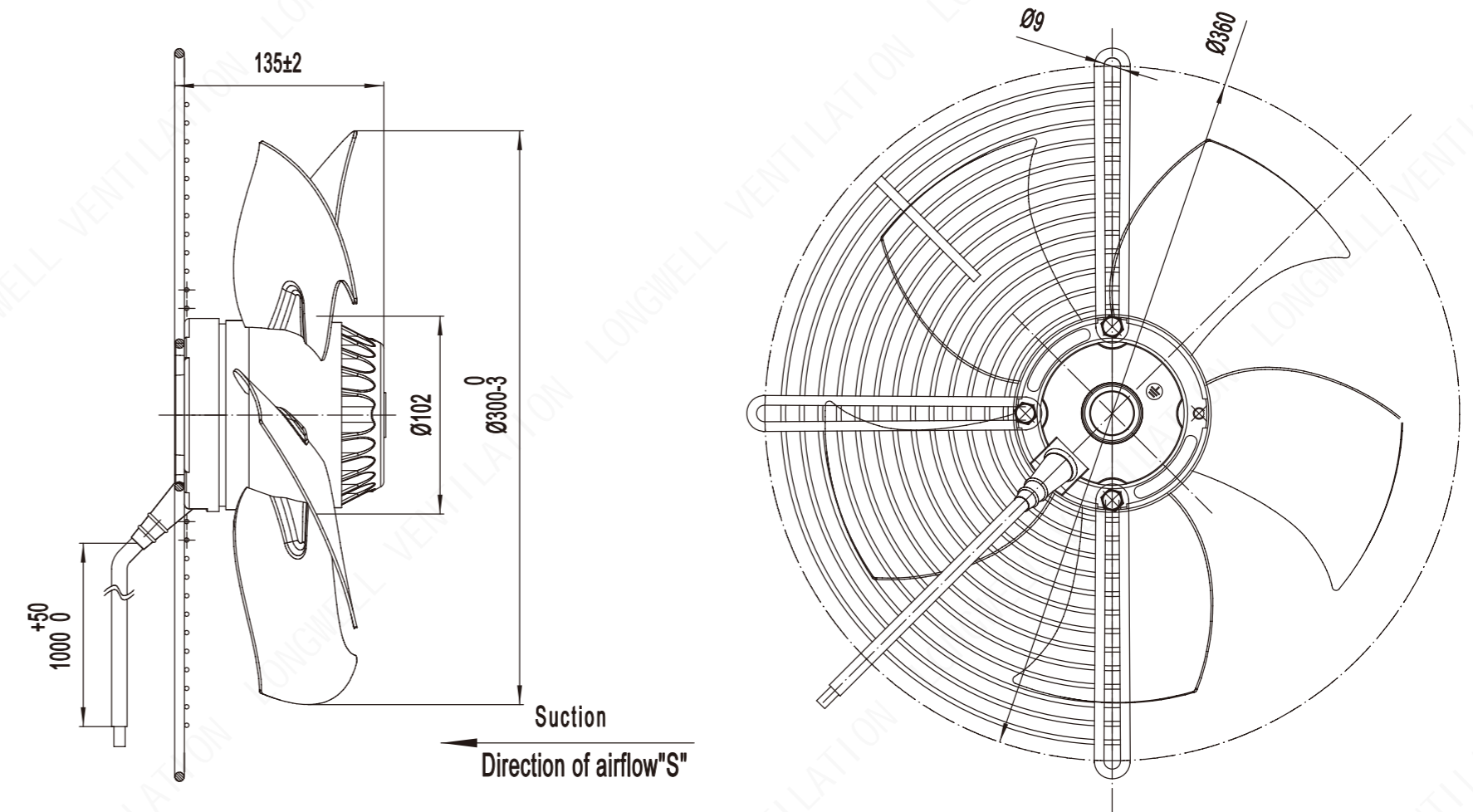


Technical Specifications

Model	Voltage (V)	Frequency (Hz)	Current (A)	Power (W)	Speed (RPM)	Air Volume (m³/h)	Capacitor (uF)	Noise [dB(A)]	Curve
LWAA2D300S-5MEW-05	380/400	50	0.56	270	2750	3090	/	72	①
LWAA2D300S-5MEW-06	380/400	60	0.7	400	3100	3296	/	73	②
LWAA2E300S-5MEW-07	220	50	1.2	270	2750	3090	7	72	①
LWAA2E300S-5MEW-08	220	60	2	400	3000	3502	7	73	②



Product Drawing (mm)



LWAA-300 Series

Product Characteristic

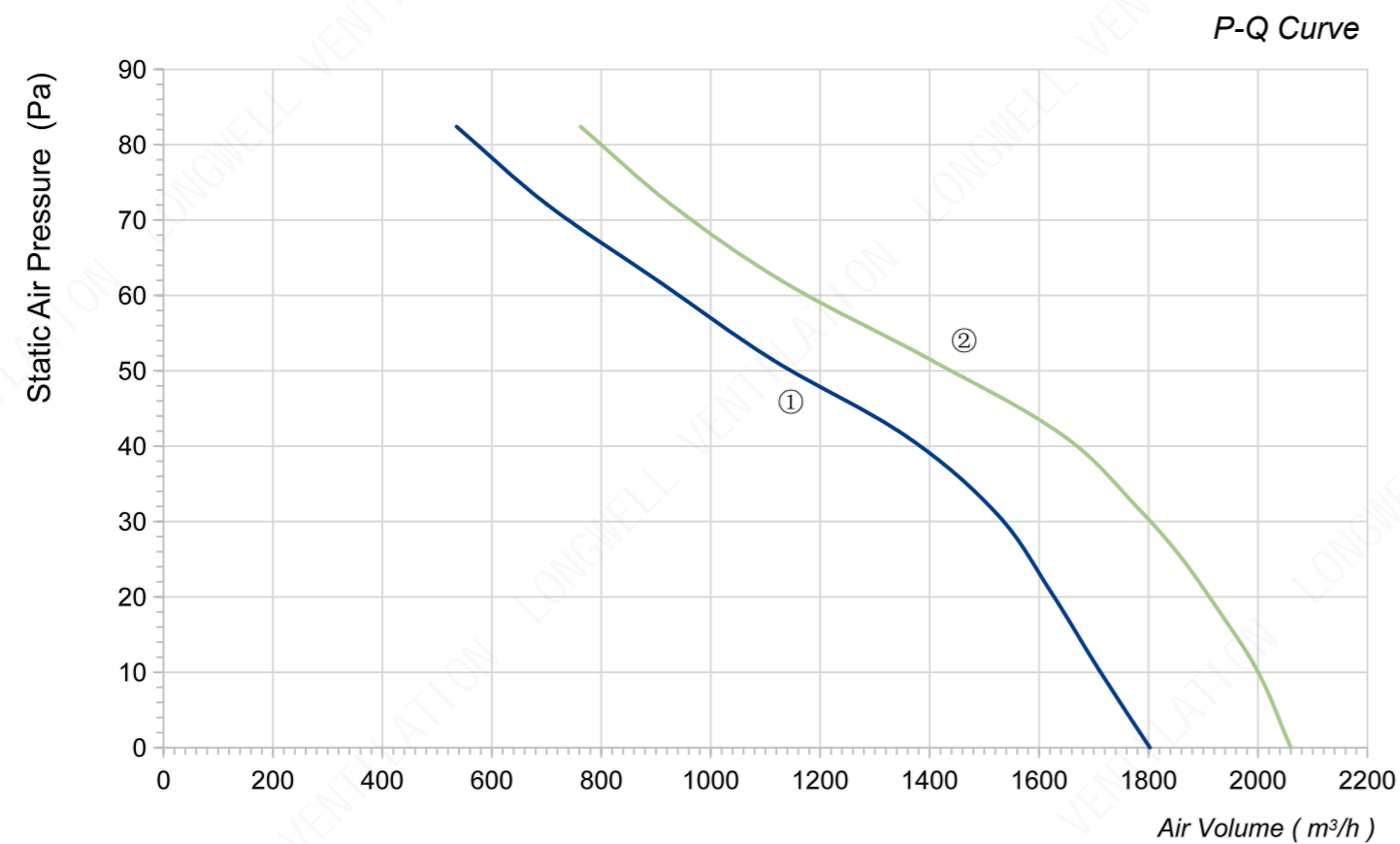
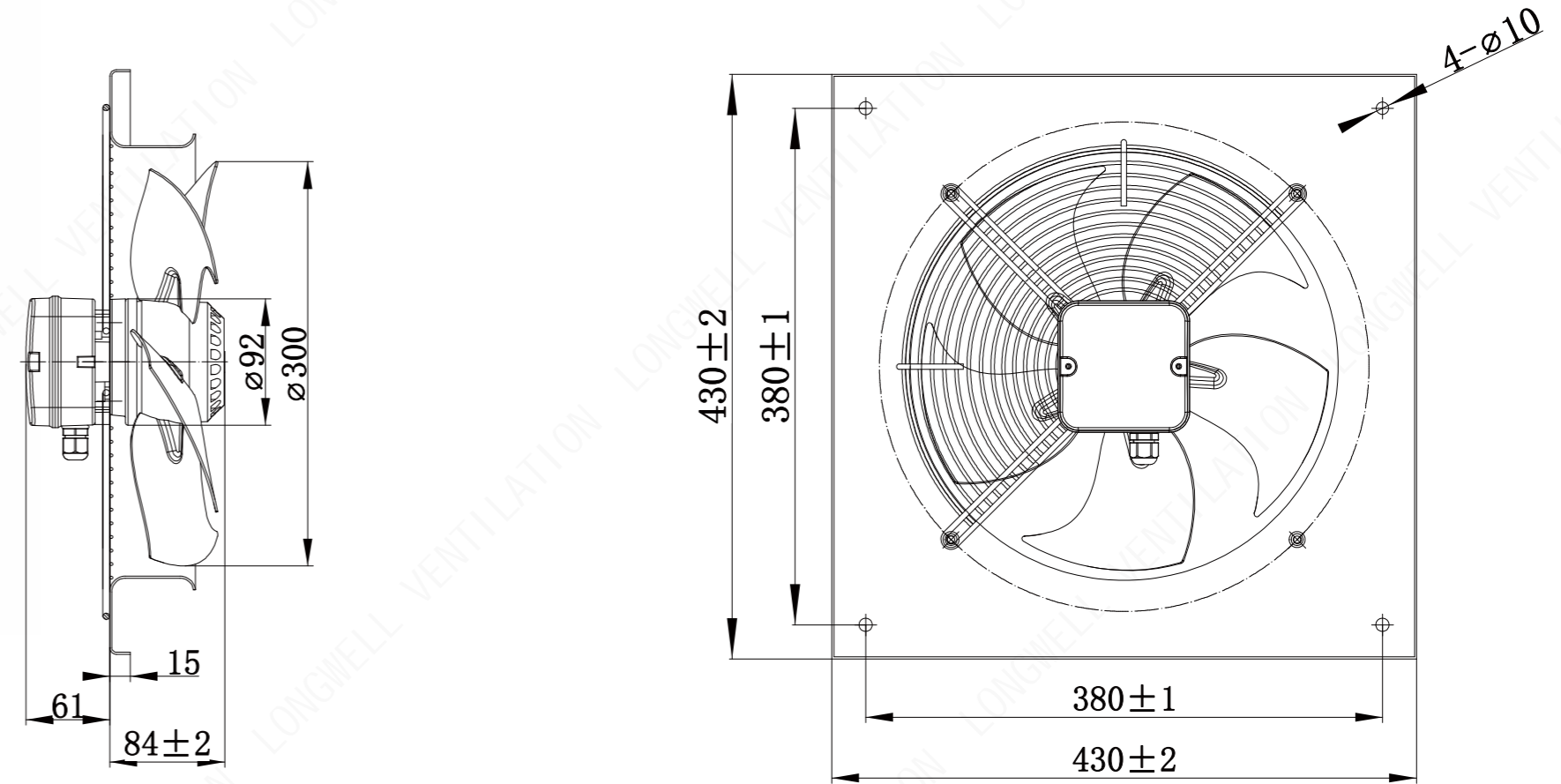
- Blades : Cold rolled steel
- Number of blades: 5
- Mode of operation: S1
- Type of protection: IP44
- Insulation class: F
- Operation Temperature: -30 C ~ +60 C



Technical Specifications

Model	Voltage (V)	Frequency (Hz)	Current (A)	Power (W)	Speed (RPM)	Air Volume (m³/h)	Capacitor (uF)	Noise [dB(A)]	Curve
LWAA4E300S-5MKB-13	220/230	50	0.42	90	1350	1803	3	54	①
LWAA4E300S-5MKB-14	220/230	60	0.51	115	1600	2060	3	55	②

Product Drawing (mm)



LWAA-350 Series

Product Characteristic

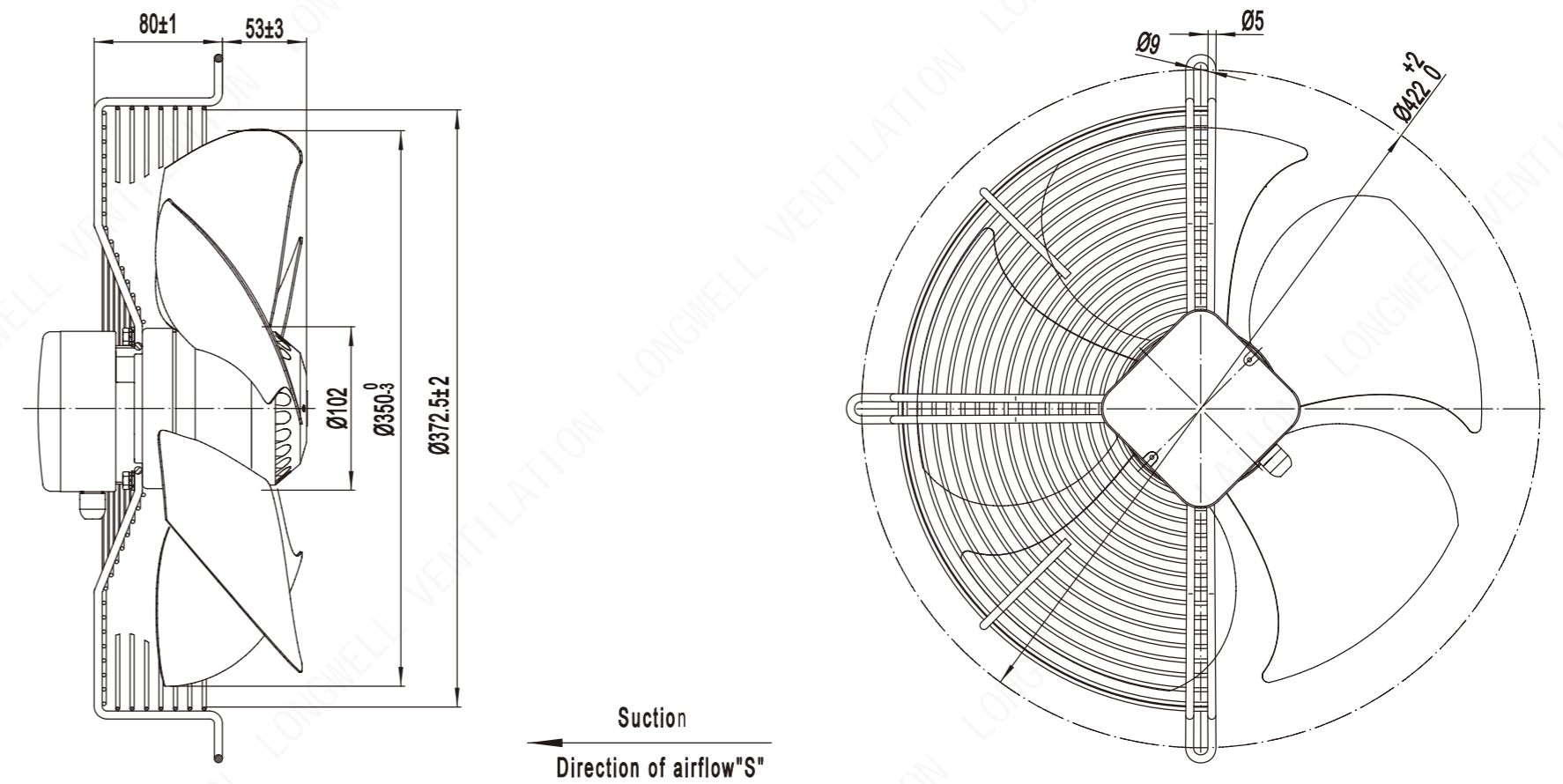
- Blades : Cold rolled steel
- Number of blades: 5
- Mode of operation: S1
- Type of protection: IP54
- Insulation class: F
- Operation Temperature: -30~+60 C



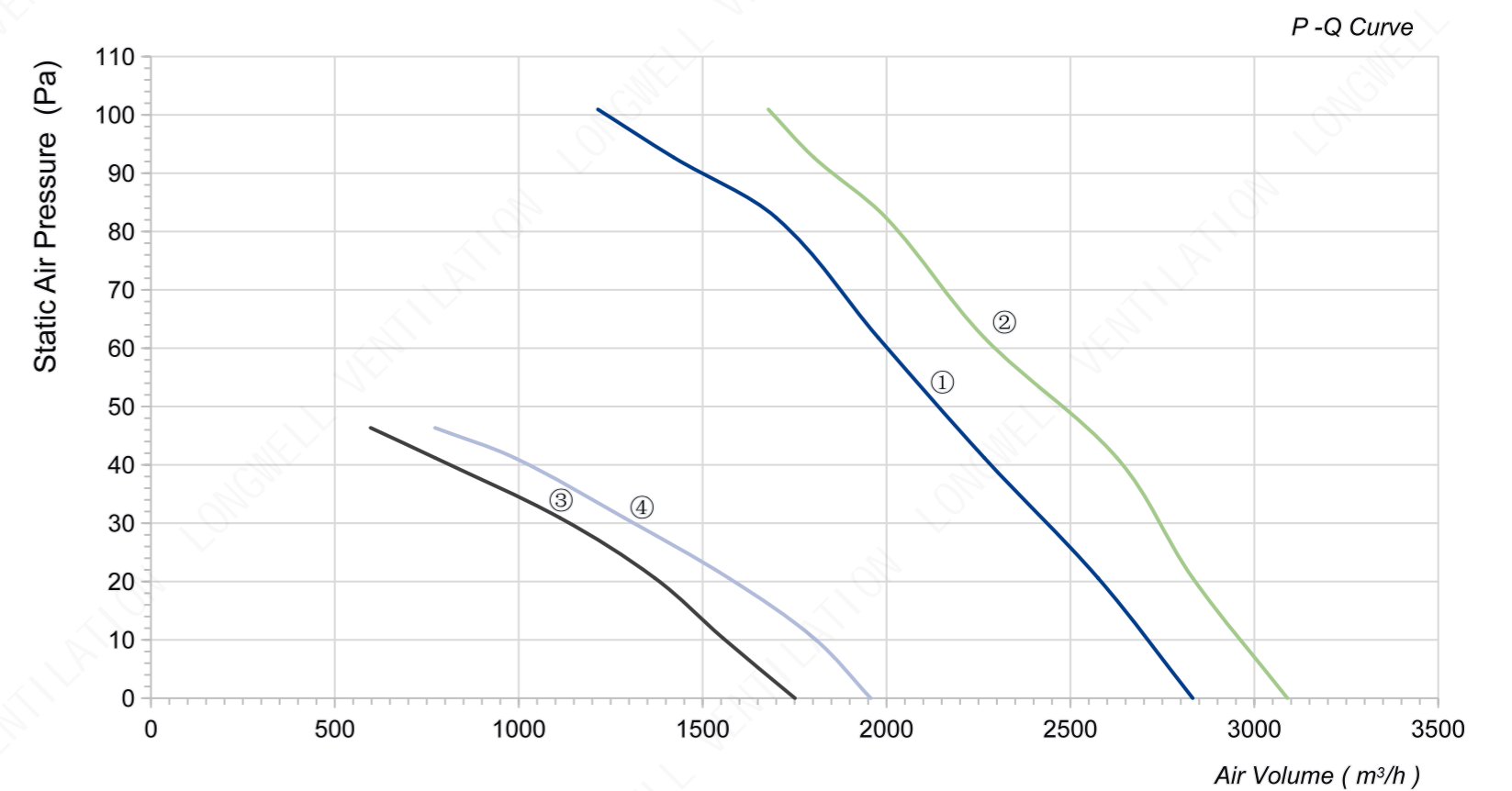
Technical Specifications

Model	Voltage (V)	Frequency (Hz)	Current (A)	Power (W)	Speed (RPM)	Air Volume (m³/h)	Capacitor (uF)	Noise [dB(A)]	Curve
LWAA4E350S-5MEB-01	220/230	50	0.6	135	1380	2781	3	58	①
LWAA4E350S-5MEB-02	220/230	60	0.83	190	1550	3090	3	60	②
LWAA4D350S-5MEB-03	380/400	50	0.3	135	1360	2781	/	58	①
LWAA4D350S-5MEB-04	380/400	60	0.34	170	1500	3090	/	60	②
LWAA6E350S-5MEB-05	220/230	50	0.4	75	950	1607	3	53	③
LWAA6E350S-5MEB-06	220/230	60	0.37	83	1100	1854	3	54	④
LWAA6D350S-5MEB-07	380/400	50	0.29	70	920	1607	/	53	③
LWAA6D350S-5MEB-08	380/400	60	0.2	80	1050	1854	/	54	④

Product Drawing (mm)



Flow Rate Curve



LWAA-350 Series

Product Characteristic

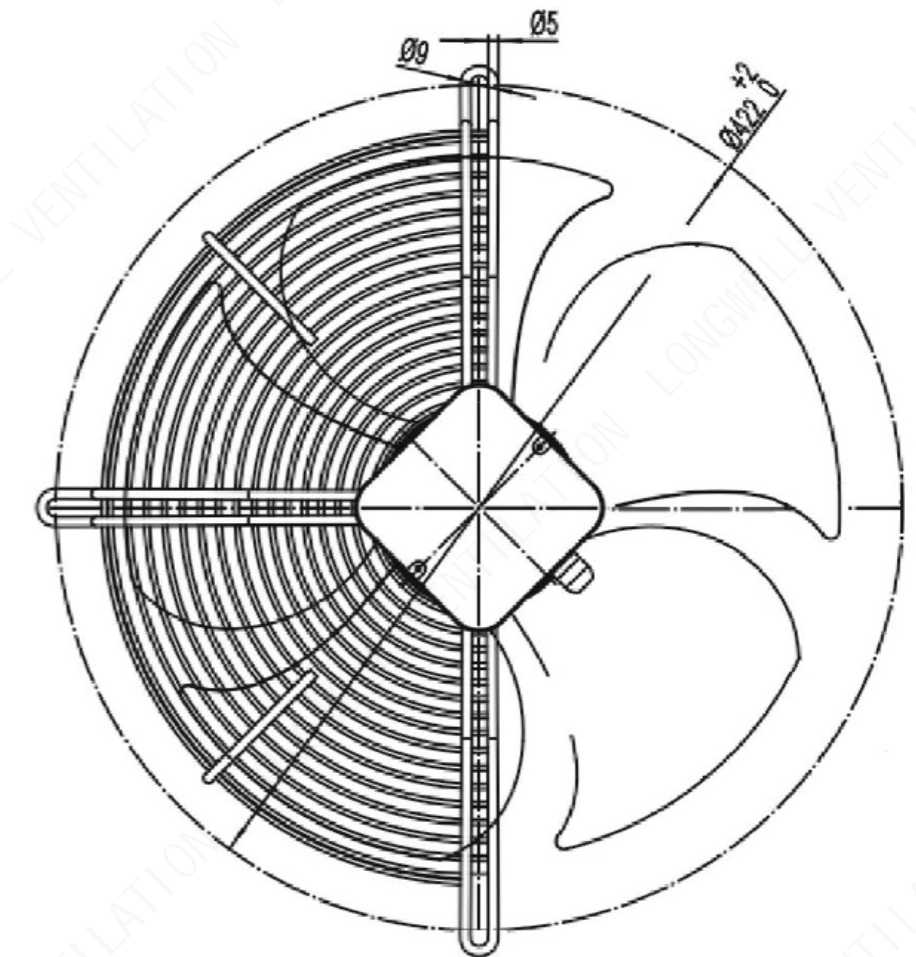
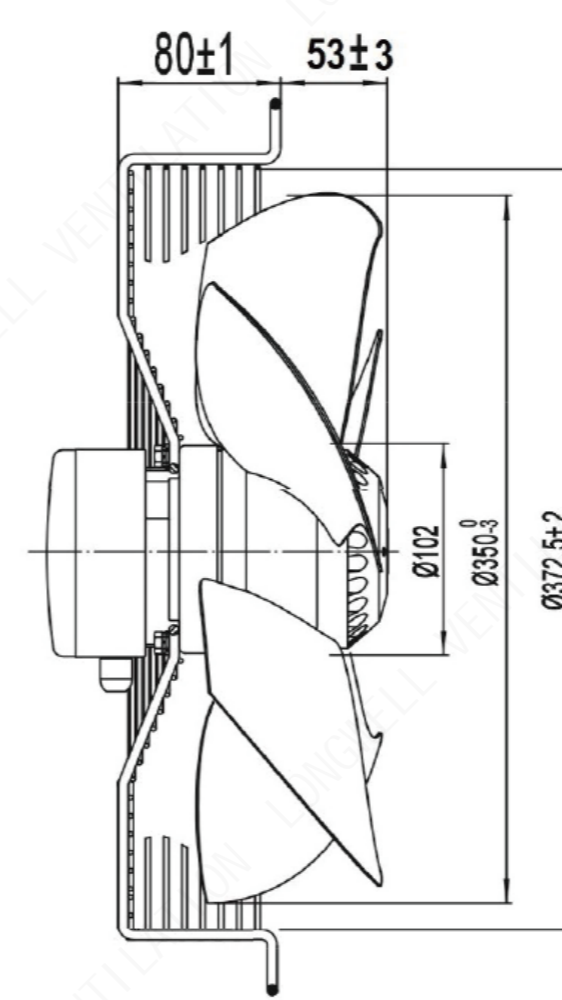
- Blades : Cold rolled steel
- Number of blades: 5
- Mode of operation: S1
- Type of protection: IP55
- Insulation class: F
- Operation Temperature: -30~+60 C



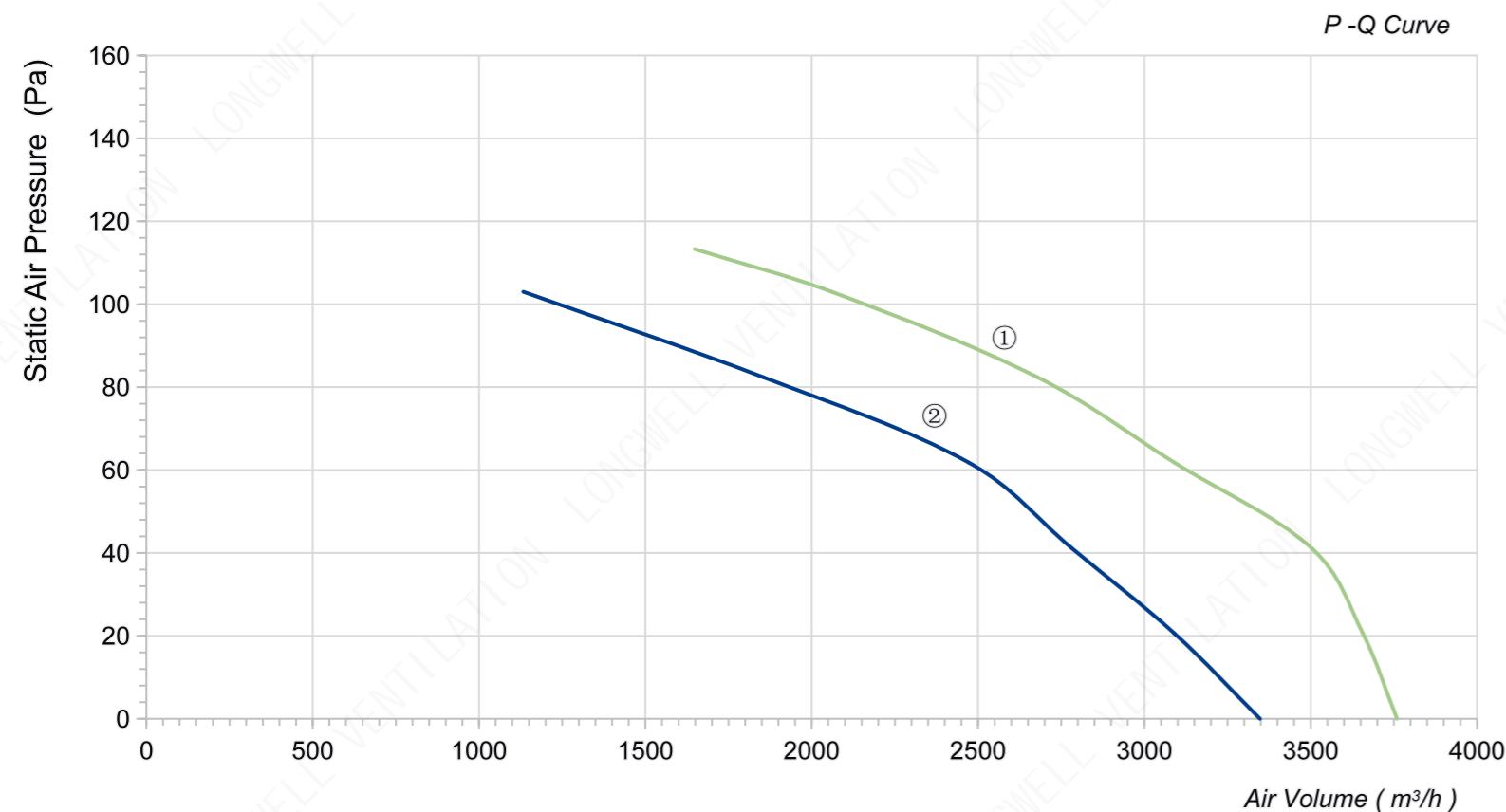
Technical Specifications

Model	Voltage (V)	Frequency (Hz)	Current (A)	Power (W)	Speed (RPM)	Air Volume (m³/h)	Capacitor (uF)	Noise [dB(A)]	Curve
LWAA4E350S-5MEB-09	220/230	50	0.58	155	1350	3348	3	55	①
LWAA4E350S-5MEB-10	220/230	60	0.8	200	1500	3760	3	58	②
LWAA4D350S-5MEB-11	380/400	50	0.42	155	1350	3348	/	55	①
LWAA4D350S-5MEB-12	380/400	60	0.47	200	1500	3760	/	58	②

Product Drawing (mm)



Suction
Direction of airflow "S"



LWAA-350 Series

Product Characteristic

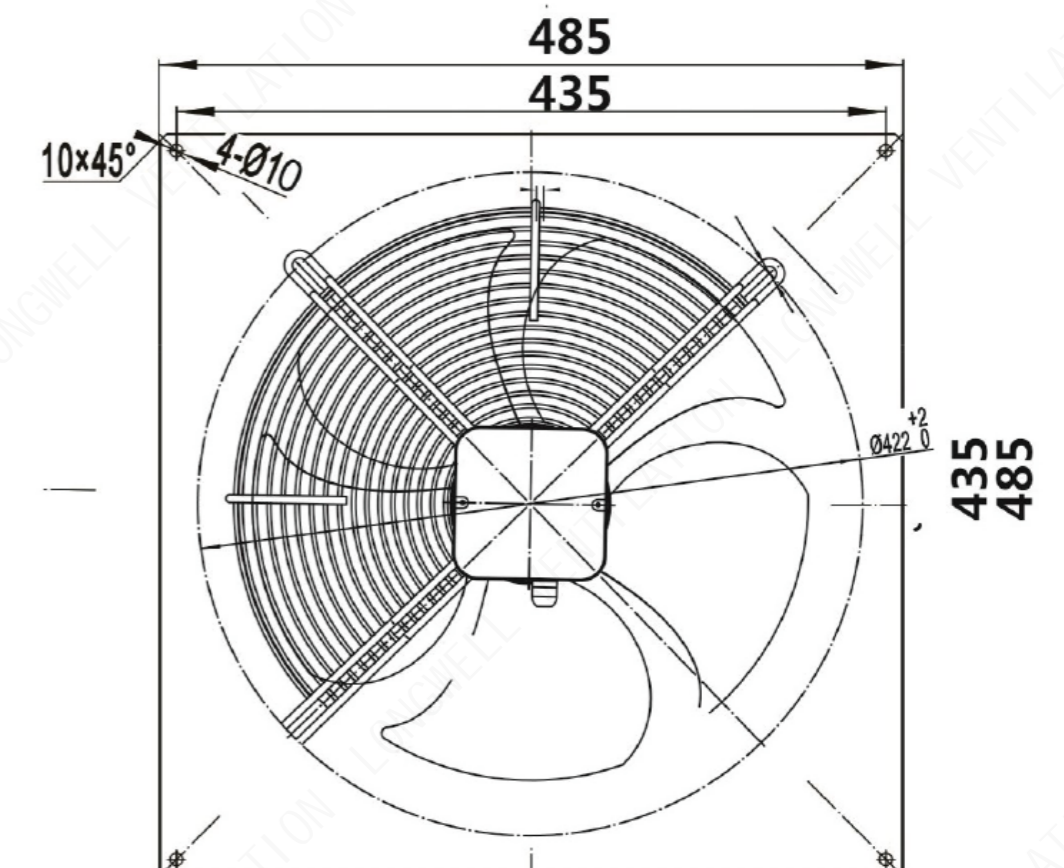
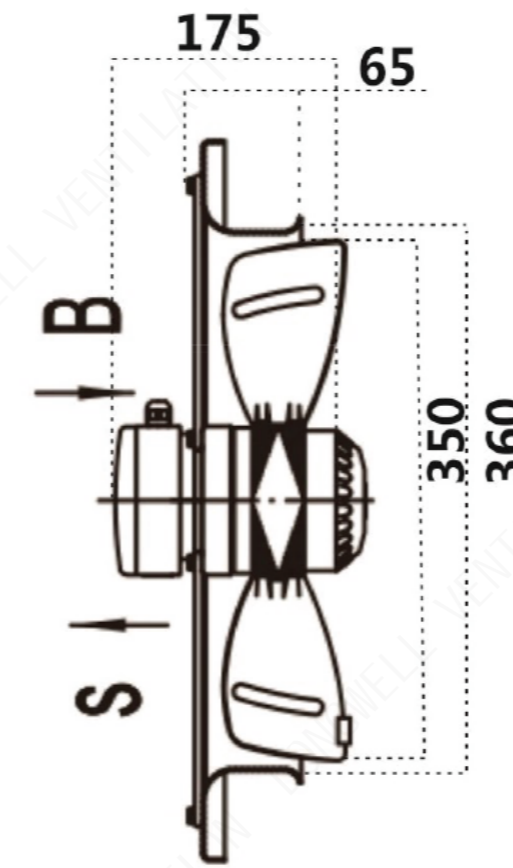
- Blades : Cold rolled steel
- Number of blades: 5
- Mode of operation: S1
- Type of protection: IP55
- Insulation class: F
- Operation Temperature: -30~+60 C



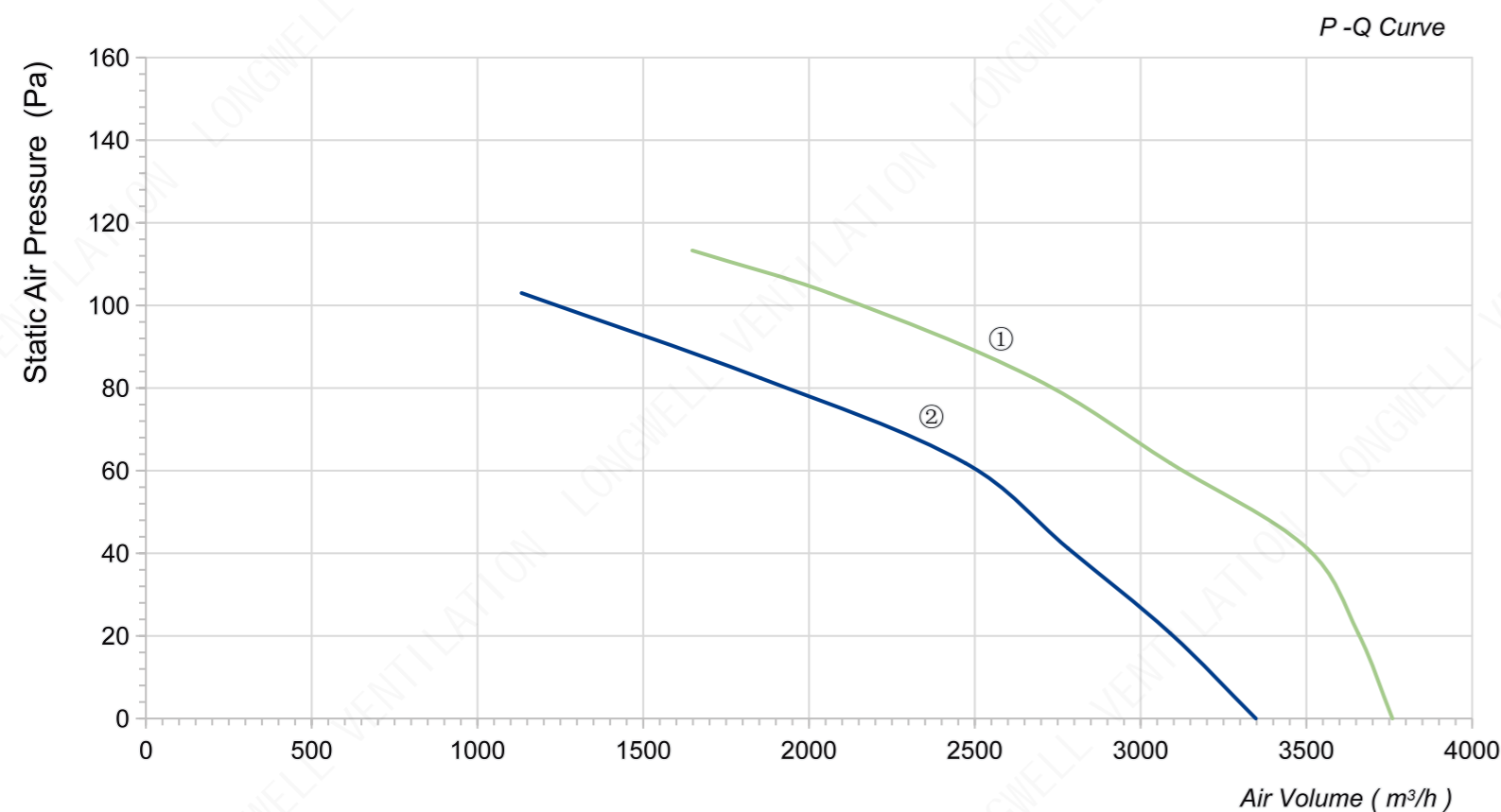
Technical Specifications

Model	Voltage (V)	Frequency (Hz)	Current (A)	Power (W)	Speed (RPM)	Air Volume (m³/h)	Capacitor (uF)	Noise [dB(A)]	Curve
LWAA4E350S-5MKB-13	220/230	50	0.58	155	1350	3348	3	55	①
LWAA4E350S-5MKB-14	220/230	60	0.8	200	1500	3760	3	58	②
LWAA4D350S-5MKB-15	380/400	50	0.42	155	1350	3348	/	55	①
LWAA4D350S-5MKB-16	380/400	60	0.47	200	1500	3760	/	58	②

Product Drawing (mm)



Suction
Direction of airflow*S*



LWAA-400 Series

Product Characteristic

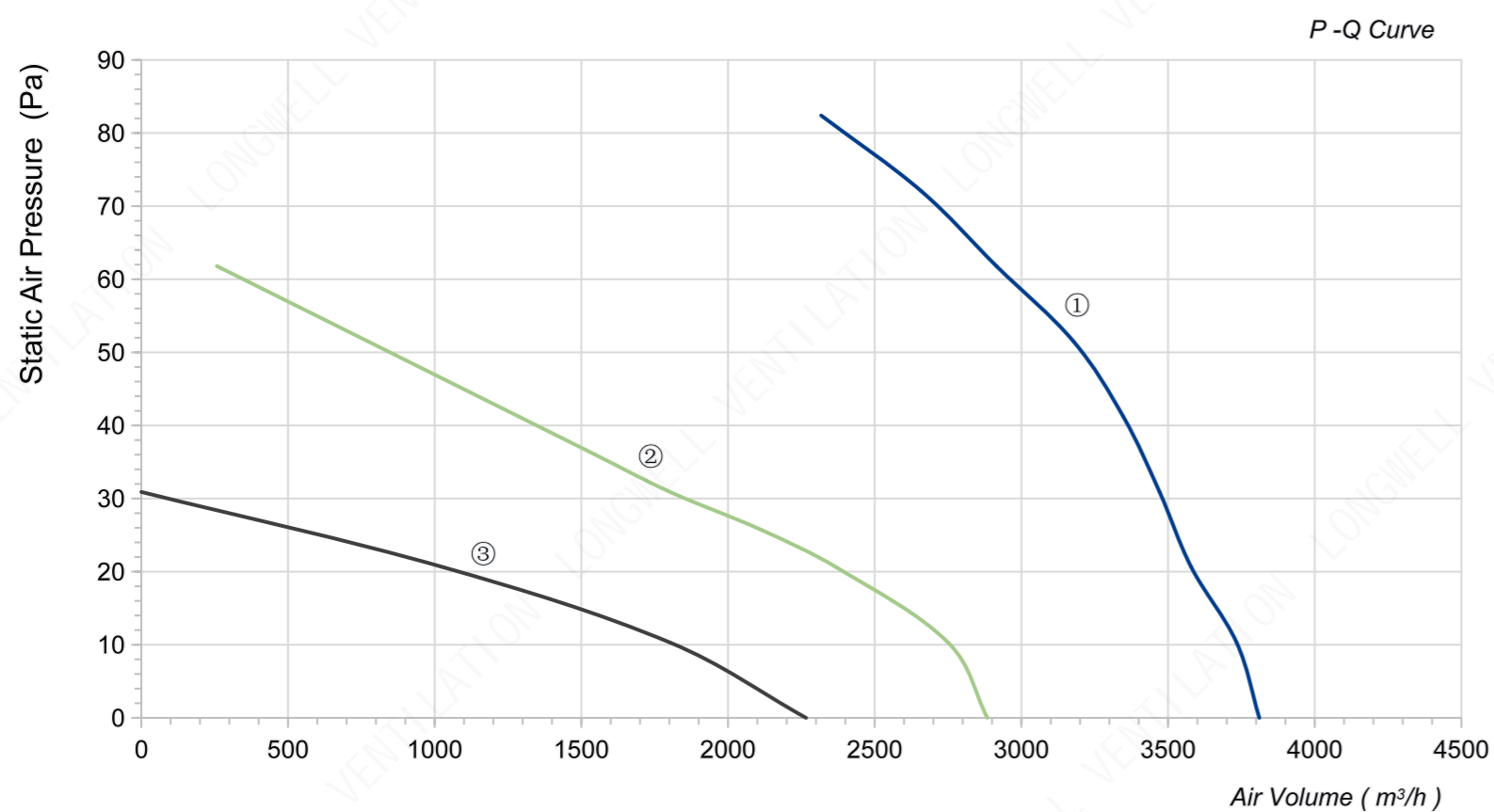
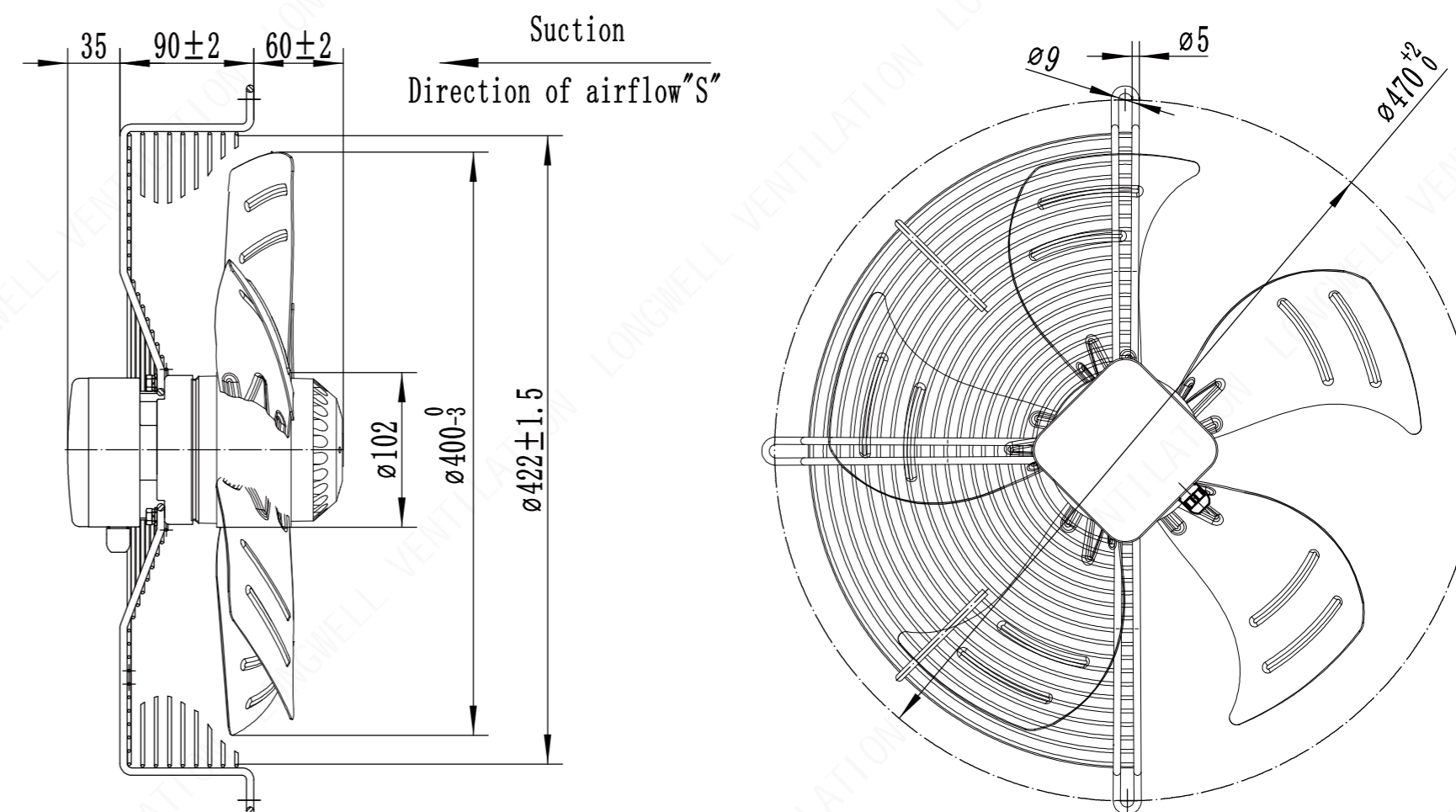
- Blades : Cold rolled steel
- Number of blades: 5
- Mode of operation: S1
- Type of protection: IP54
- Insulation class: F
- Operation Temperature: -30~+60 C



Technical Specifications

Model	Voltage (V)	Frequency (Hz)	Current (A)	Power (W)	Speed (RPM)	Air Volume (m³/h)	Capacitor (uF)	Noise [dB(A)]	Curve
	220/230	50	0.9	180	1350	3811	6	59	①
LWAA4E400S-5MEB-21	220/230	50	0.6	135	1050	2884	6	52	②
	220/230	50	0.5	100	800	2266	6	46	③

Product Drawing (mm)



LWAA-400 Series

Product Characteristic

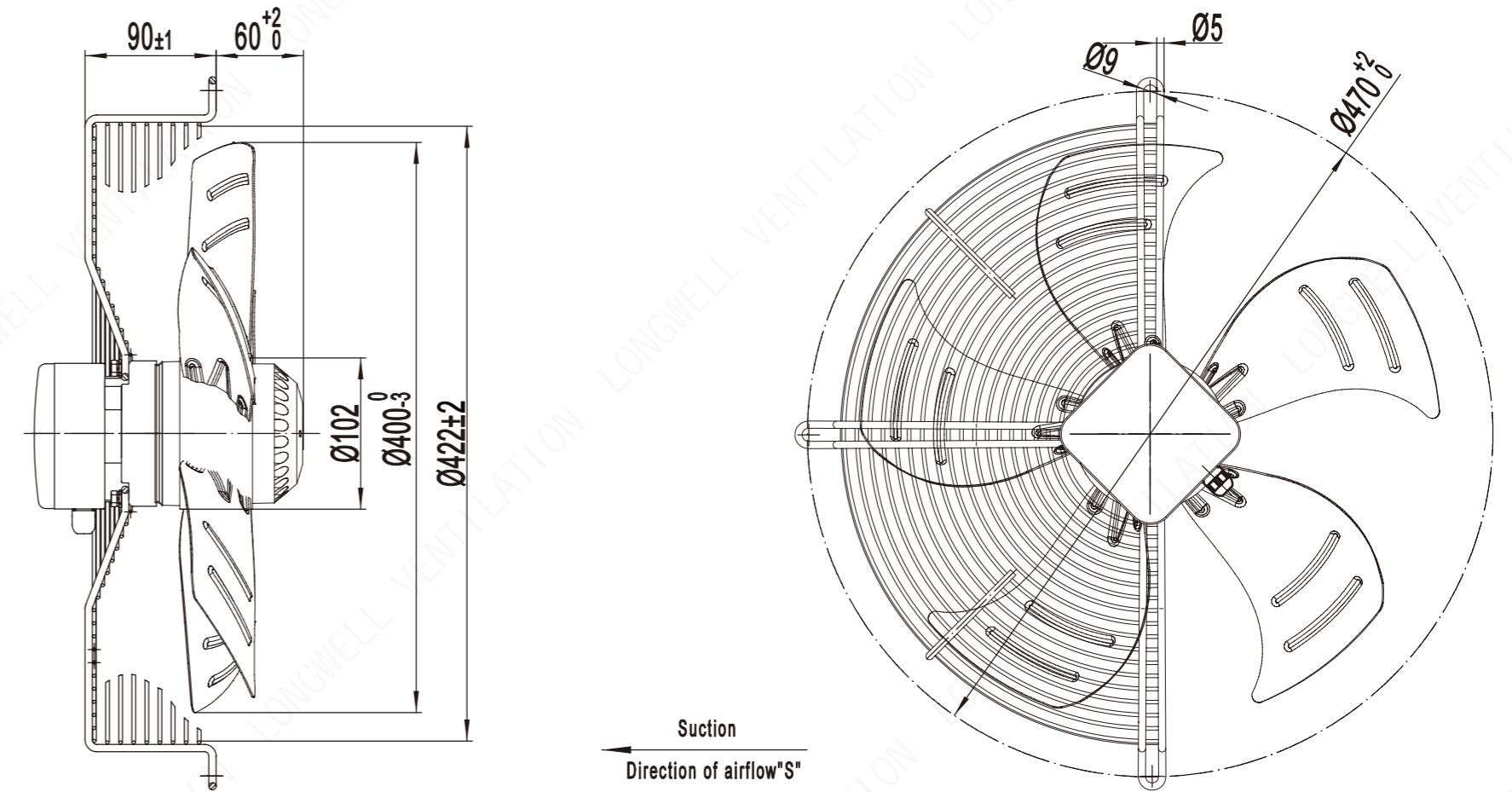
- Blades : Cold rolled steel
- Number of blades: 5
- Mode of operation: S1
- Type of protection: IP54
- Insulation class: F
- Operation Temperature: -30~+60 C



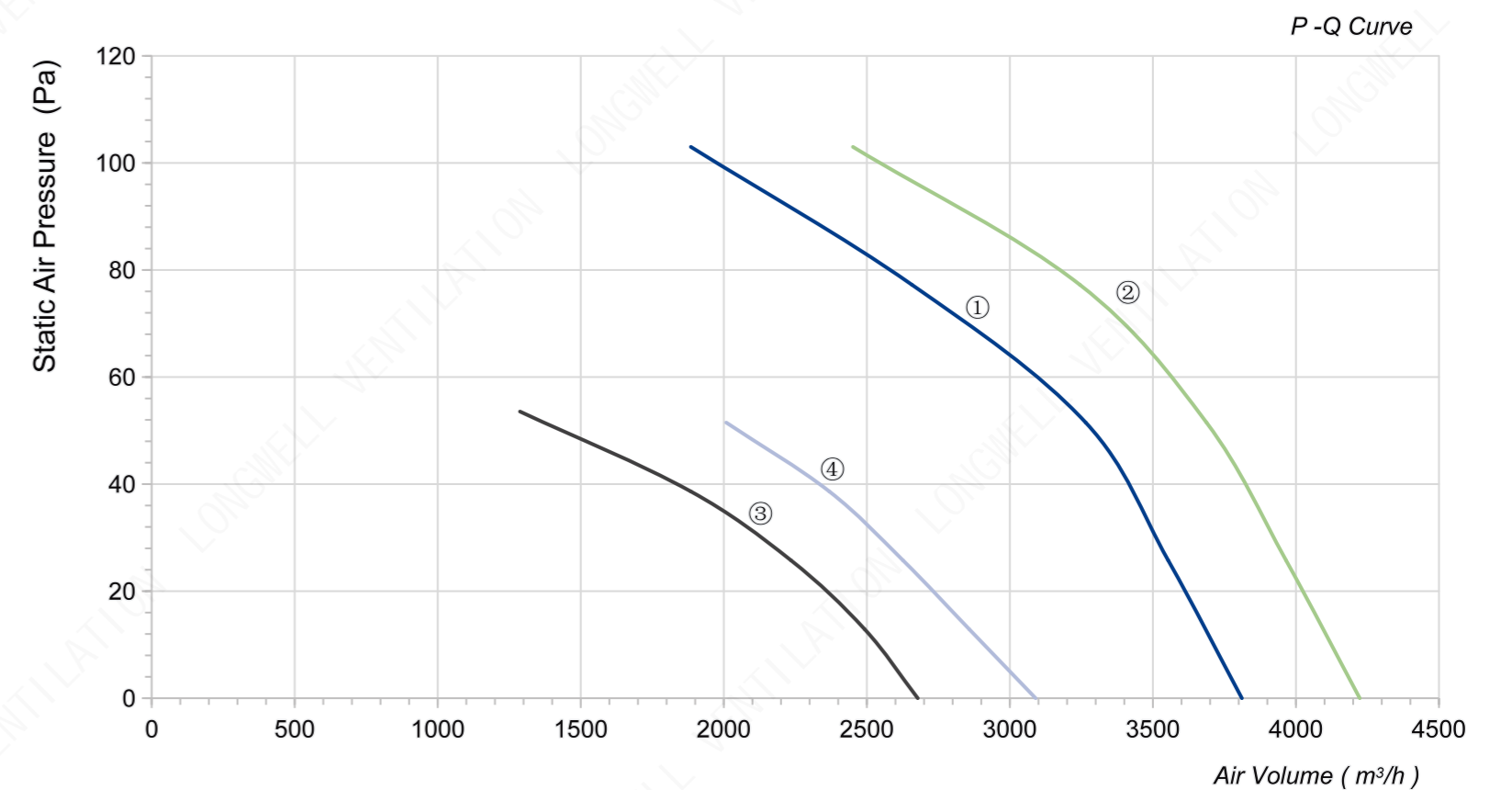
Technical Specifications

Model	Voltage (V)	Frequency (Hz)	Current (A)	Power (W)	Speed (RPM)	Air Volume (m³/h)	Capacitor (uF)	Noise [dB(A)]	Curve
LWAA4E400S-5MEB-01	220/230	50	0.9	180	1350	3811	6	60	①
LWAA4E400S-5MEB-02	220/230	60	1.22	260	1580	4223	6	62	②
LWAA4D400S-5MEB-03	380/400	50	0.5	180	1370	3811	/	60	①
LWAA4D400S-5MEB-04	380/400	60	0.47	240	1620	4223	/	62	②
LWAA6E400S-5MEB-05	220/230	50	0.5	100	950	2678	4	49	③
LWAA6E400S-5MEB-06	220/230	60	0.54	120	1100	3090	4	52	④
LWAA6D400S-5MEB-07	380/400	50	0.31	100	930	2678	/	49	③
LWAA6D400S-5MEB-08	380/400	60	0.31	120	1100	3090	/	52	④

Product Drawing (mm)



Flow Rate Curve



LWAA-400 Series

Product Characteristic

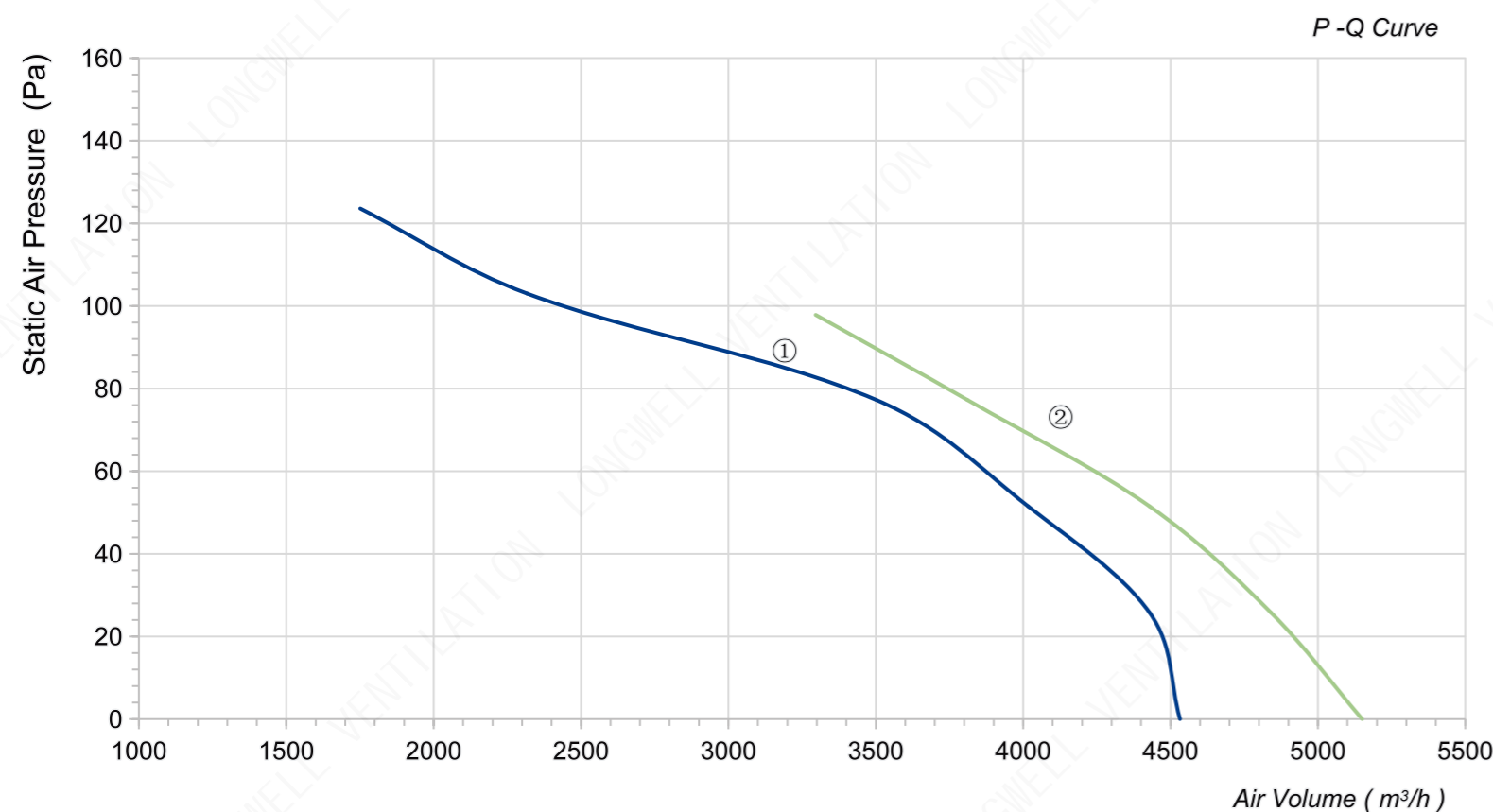
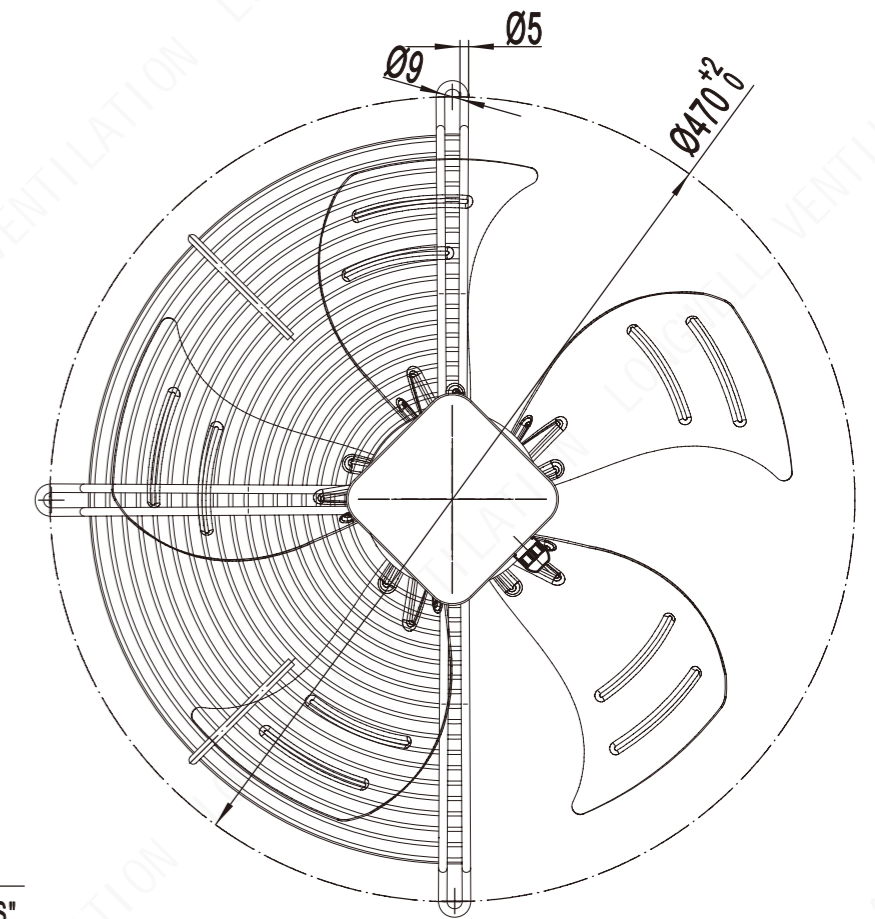
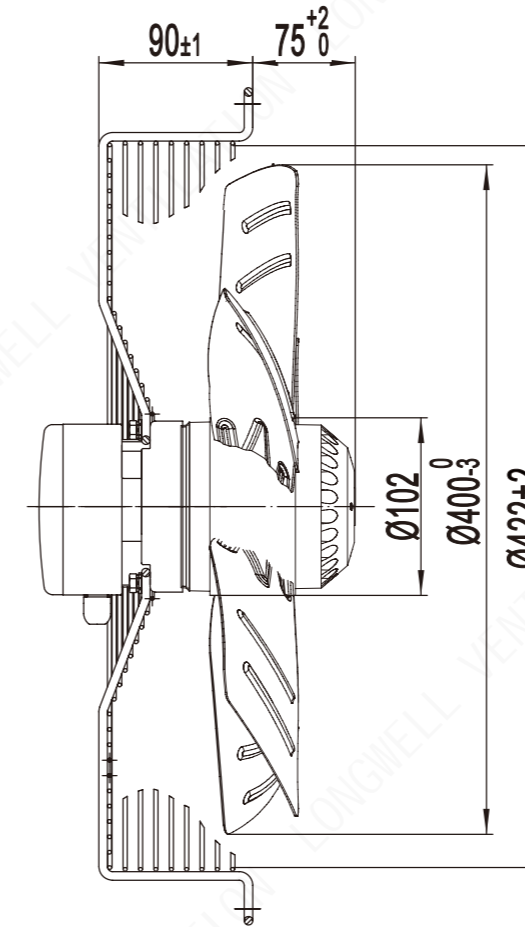
- Blades : Cold rolled steel
- Number of blades: 5
- Mode of operation: S1
- Type of protection: IP54
- Insulation class: F
- Operation Temperature: -30~+60 C



Technical Specifications

Model	Voltage (V)	Frequency (Hz)	Current (A)	Power (W)	Speed (RPM)	Air Volume (m³/h)	Capacitor (uF)	Noise [dB(A)]	Curve
LWAA4E400S-5MEB-09	220/230	50	1.1	230	1350	4532	7	62	①
LWAA4E400S-5MEB-10	220/230	60	1.2	280	1600	5150	7	64	②
LWAA4D400S-5MEB-11	380/400	50	0.5	230	1350	4532	/	62	①
LWAA4D400S-5MEB-12	380/400	60	0.6	280	1600	5150	/	64	②

Product Drawing (mm)



LWAA-400 Series

Product Characteristic

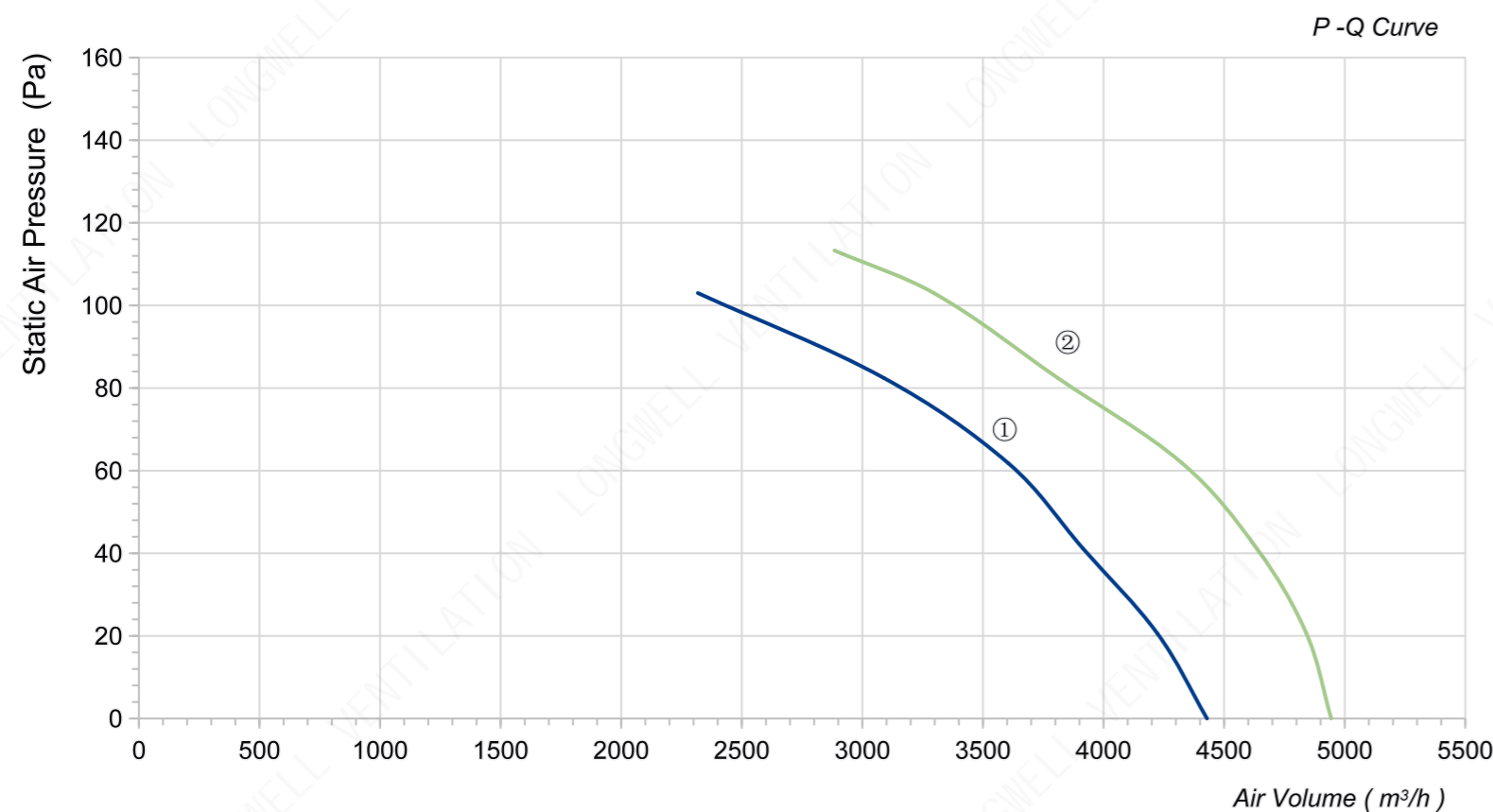
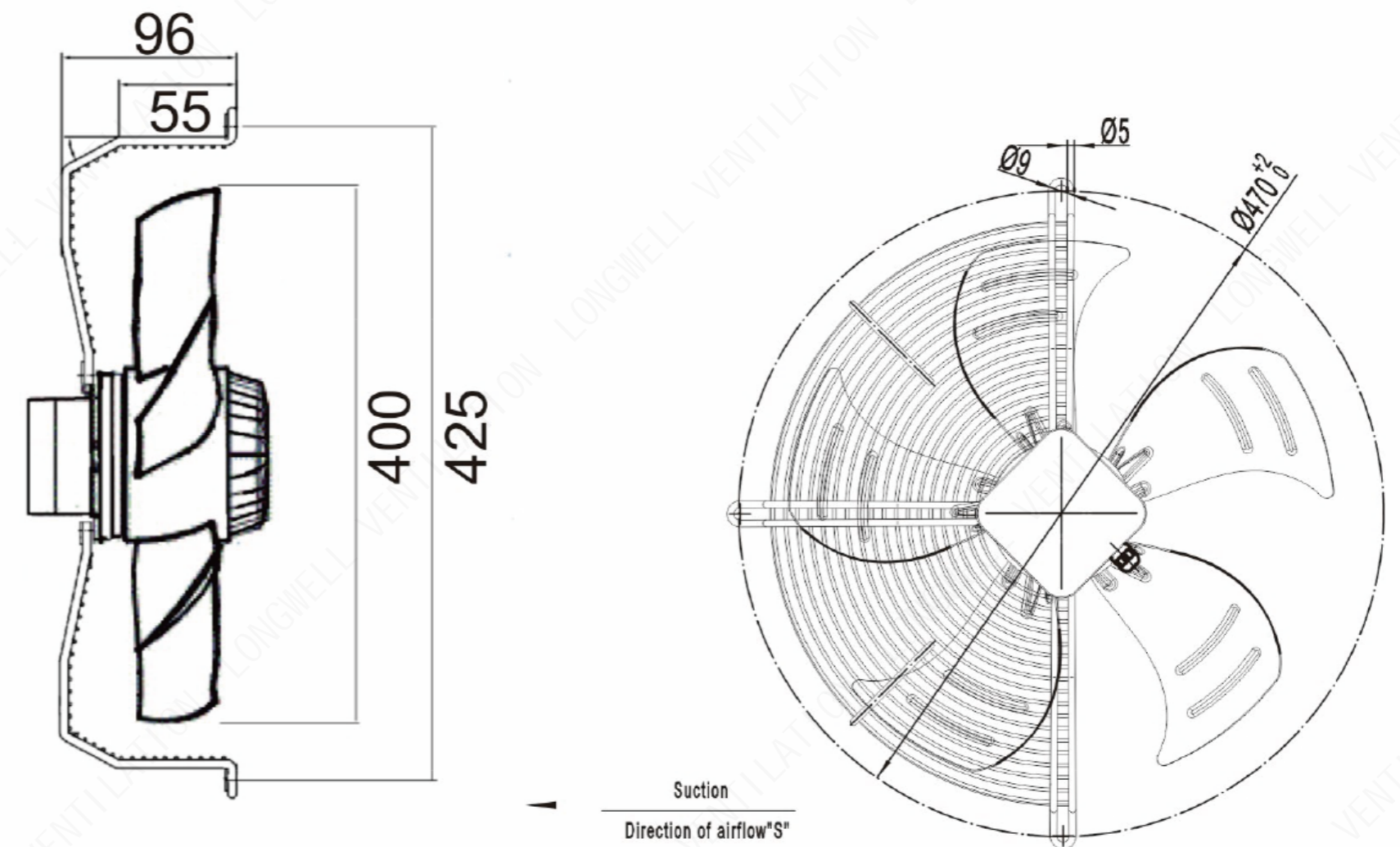
- Blades : Cold rolled steel
- Number of blades: 5
- Mode of operation: S1
- Type of protection: IP55
- Insulation class: F
- Operation Temperature: -30~+60 C



Technical Specifications

Model	Voltage (V)	Frequency (Hz)	Current (A)	Power (W)	Speed (RPM)	Air Volume (m³/h)	Capacitor (uF)	Noise [dB(A)]	Curve
LWAA4E400S-5MEB-13	220/230	50	1.1	225	1380	4429	6	58	①
LWAA4E400S-5MEB-14	220/230	60	1.15	310	1400	4893	6	60	②
LWAA4D400S-5MEB-15	380/400	50	0.52	225	1380	4429	/	58	①
LWAA4D400S-5MEB-16	380/400	60	0.6	310	1400	4893	/	60	②

Product Drawing (mm)



LWAA-400 Series

Product Characteristic

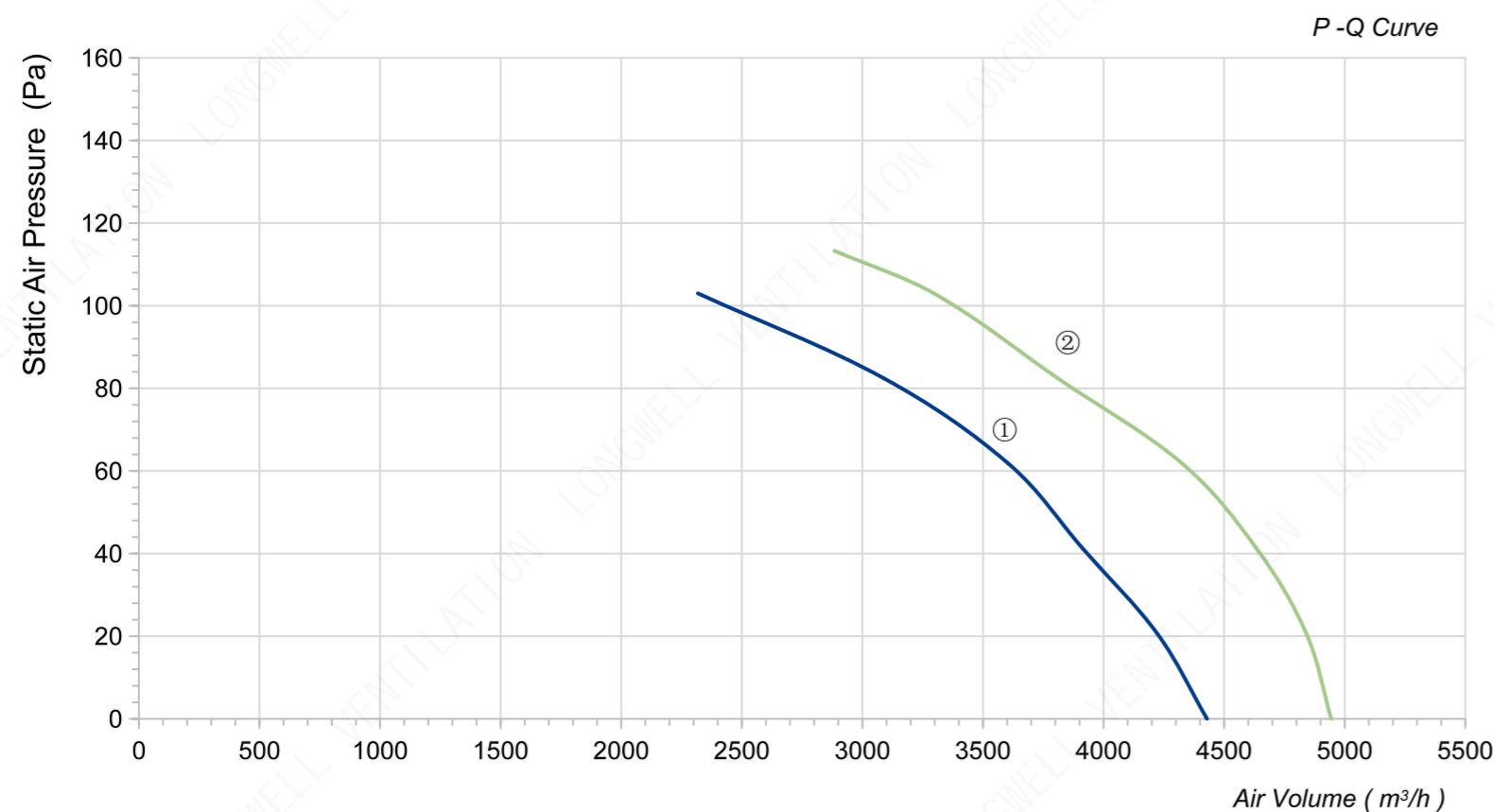
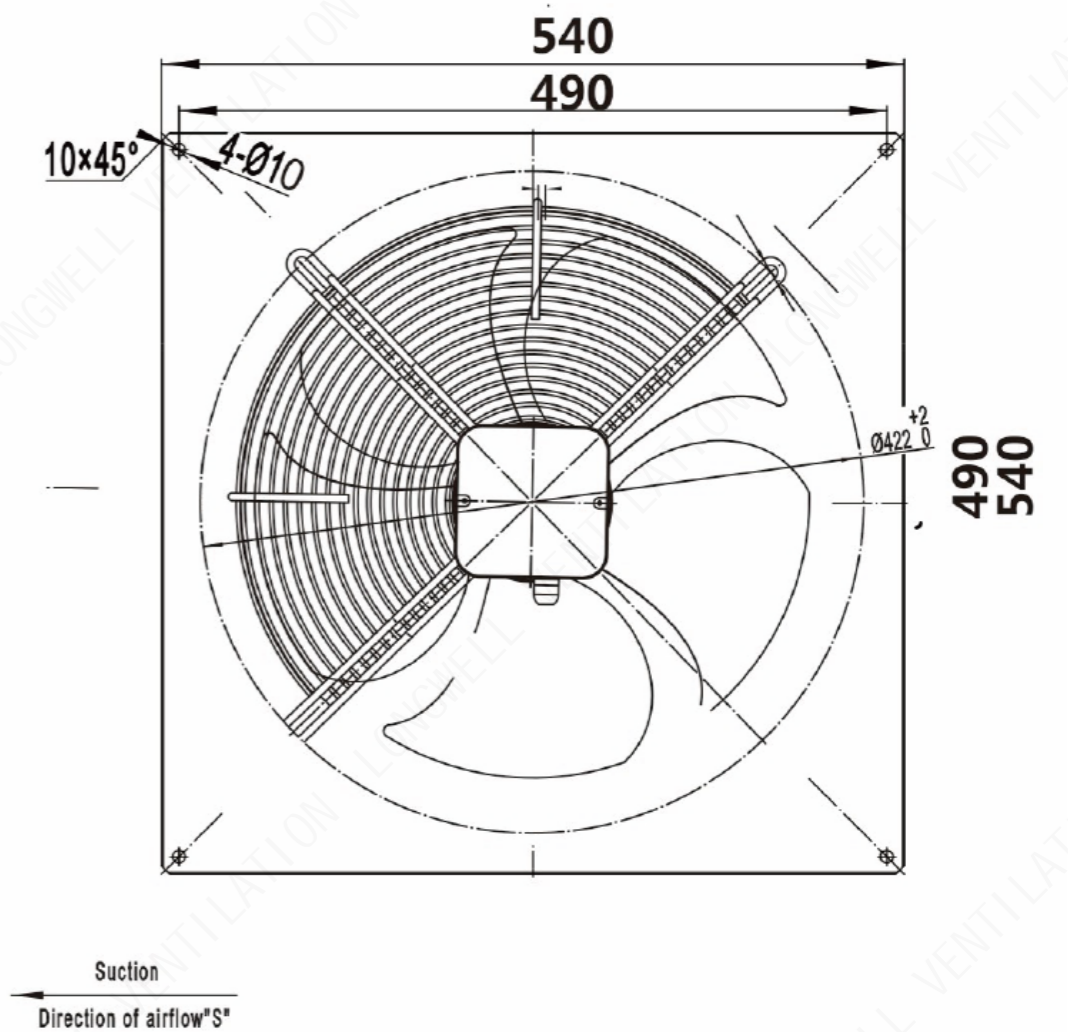
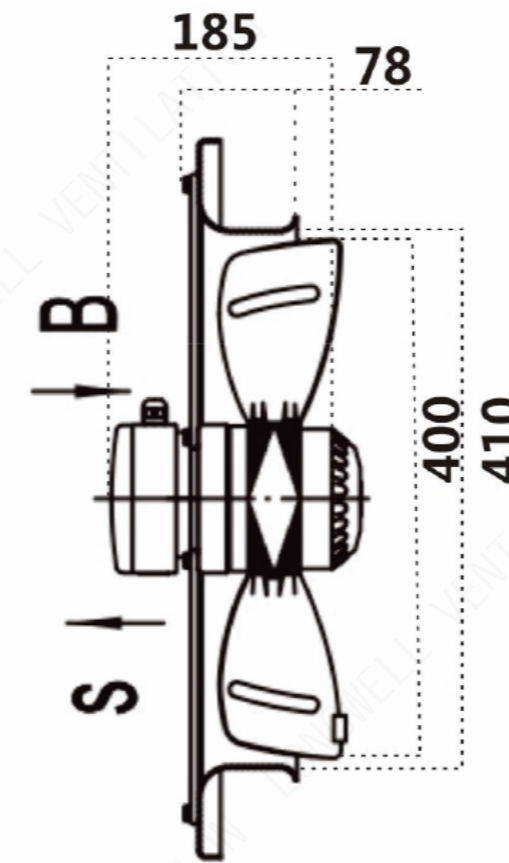
- Blades : Cold rolled steel
- Number of blades: 5
- Mode of operation: S1
- Type of protection: IP55
- Insulation class: F
- Operation Temperature: -30~+60 C



Technical Specifications

Model	Voltage (V)	Frequency (Hz)	Current (A)	Power (W)	Speed (RPM)	Air Volume (m³/h)	Capacitor (uF)	Noise [dB(A)]	Curve
LWAA4E400S-5MKB-17	220/230	50	1.1	225	1380	4429	6	58	①
LWAA4E400S-5MKB-18	220/230	60	1.15	310	1400	4893	6	60	②
LWAA4D400S-5MKB-19	380/400	50	0.52	225	1380	4429	/	58	①
LWAA4D400S-5MKB-20	380/400	60	0.6	310	1400	4893	/	60	②

Product Drawing (mm)



LWAA-400 Series

Product Characteristic

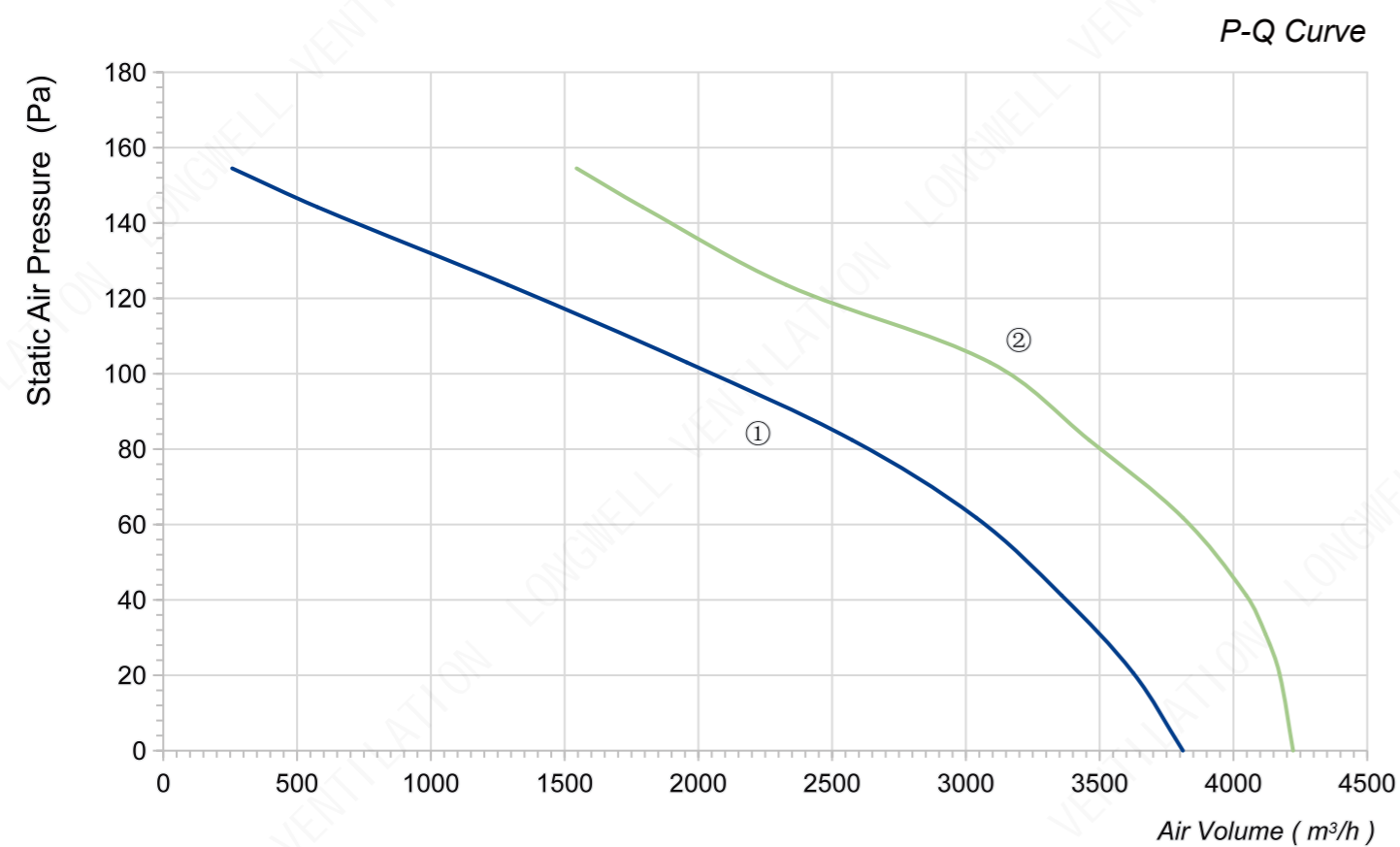
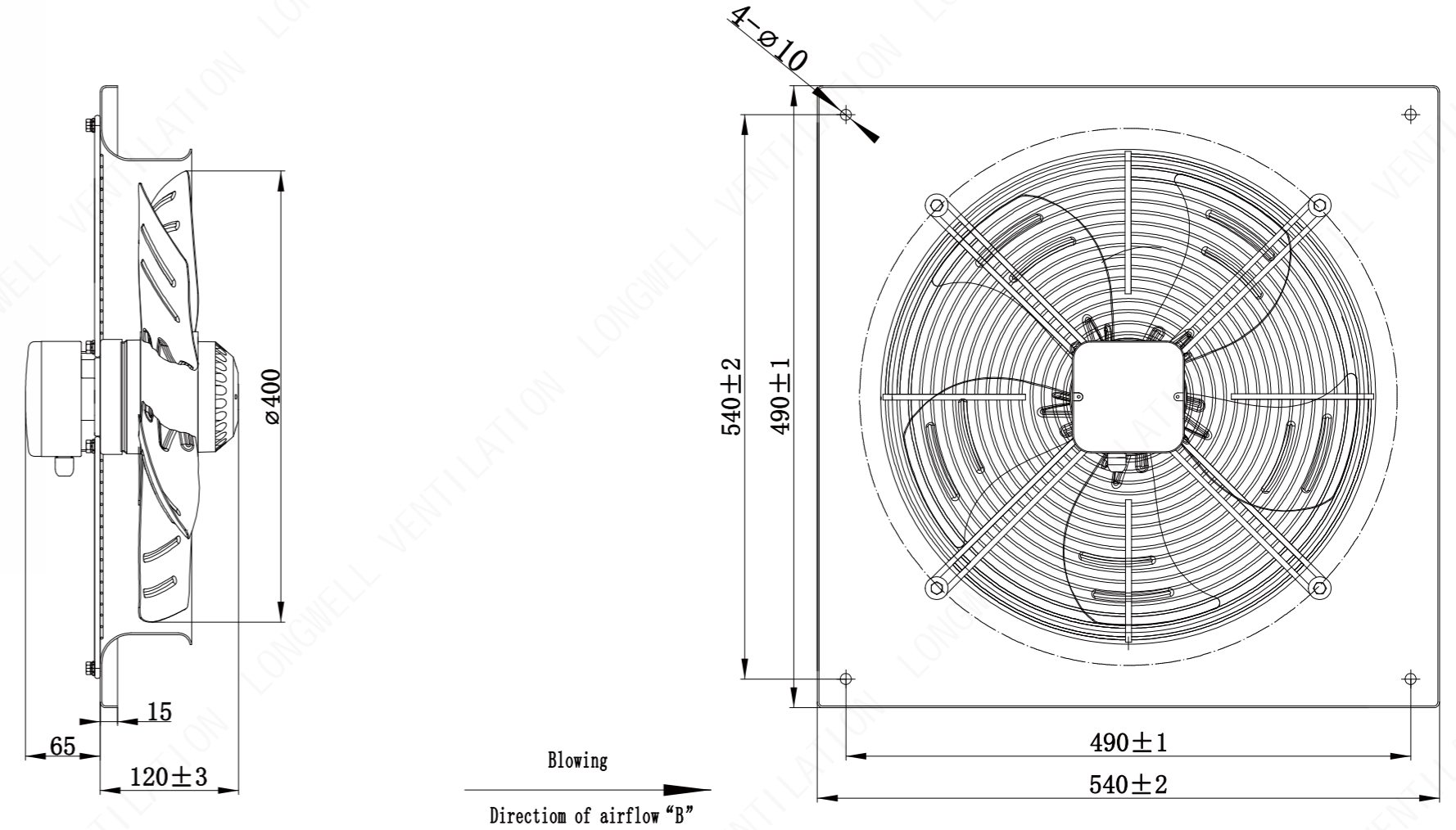
- Blades : Cold rolled steel
- Number of blades: 5
- Mode of operation: S1
- Type of protection: IP54
- Insulation class: F
- Operation Temperature: -30 C~+60 C



Technical Specifications

Model	Voltage (V)	Frequency (Hz)	Current (A)	Power (W)	Speed (RPM)	Air Volume (m³/h)	Capacitor (uF)	Noise [dB(A)]	Curve
LWAA4E400B-5MKB-22	220/230	50	0.9	180	1350	3811	6	60	①
LWAA4E400B-5MKB-23	220/230	60	1.22	260	1580	4223	6	62	②

Product Drawing (mm)



LWAA-420 Series

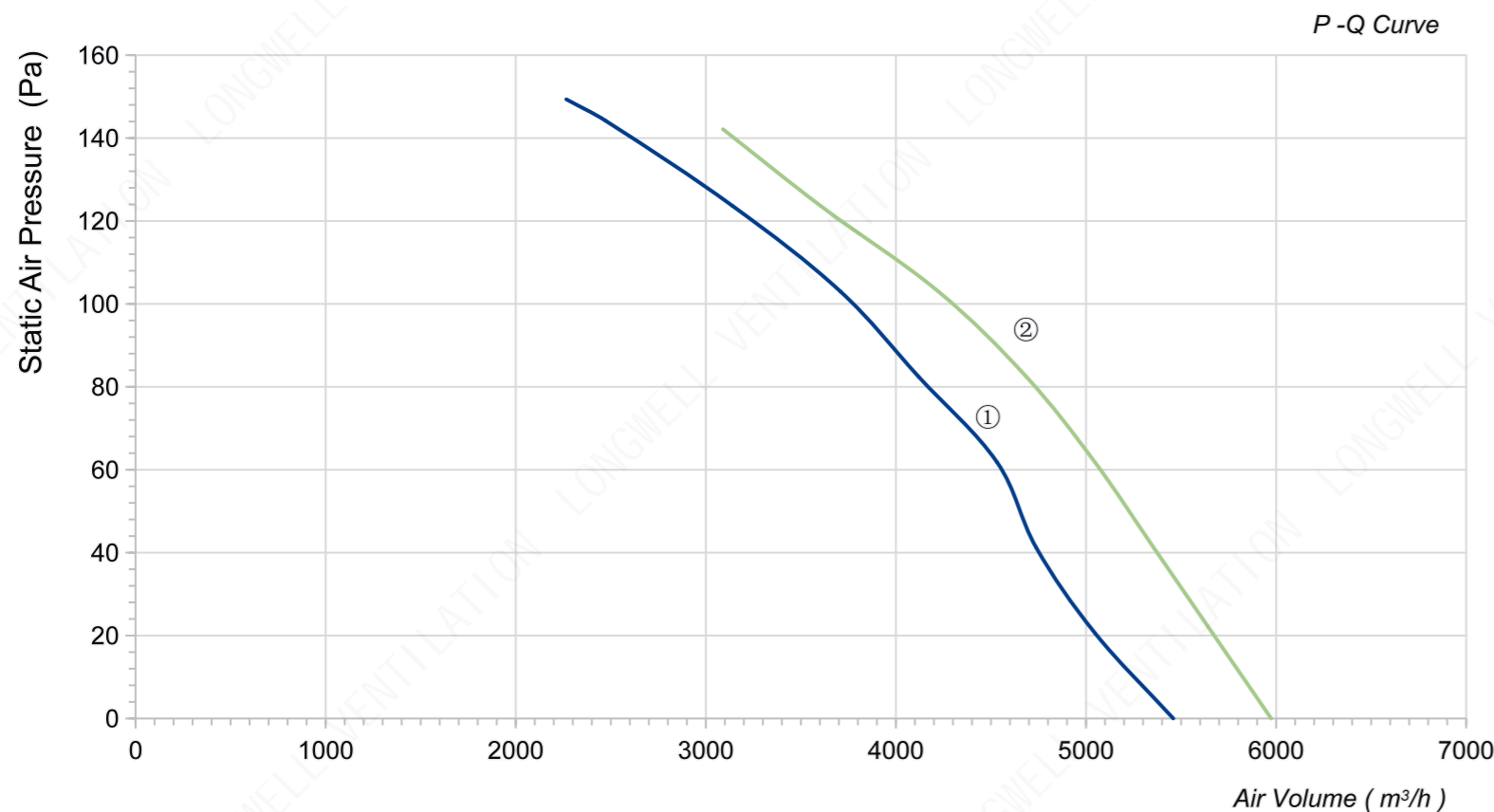
Product Characteristic

- Blades : Cold rolled steel
- Number of blades: 5
- Mode of operation: S1
- Type of protection: IP54
- Insulation class: F
- Operation Temperature: -30~+60 C

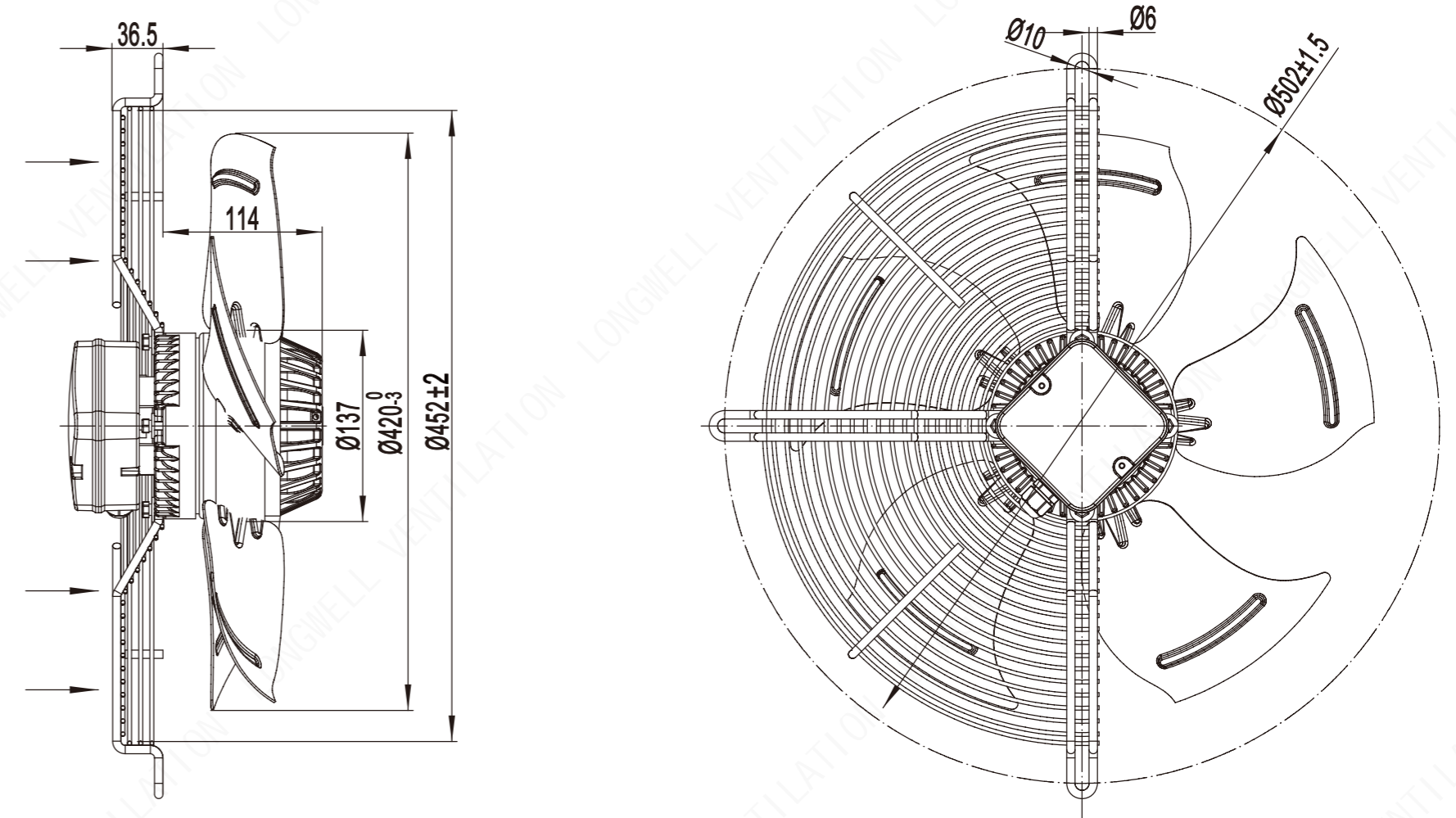


Technical Specifications

Model	Voltage (V)	Frequency (Hz)	Current (A)	Power (W)	Speed (RPM)	Air Volume (m³/h)	Capacitor (uF)	Noise [dB(A)]	Curve
LWAA4E420S-5MEB-01	220/230	50	1.5	300	1350	5459	8	65	①
LWAA4E420S-5MEB-02	220/230	60	1.8	400	1580	5974	8	68	②
LWAA4D420S-5MEB-03	380/400	50	0.65	280	1370	5459	/	65	①
LWAA4D420S-5MEB-04	380/400	60	0.9	380	1600	5974	/	68	②



Product Drawing (mm)



LWAA-450 Series

Product Characteristic

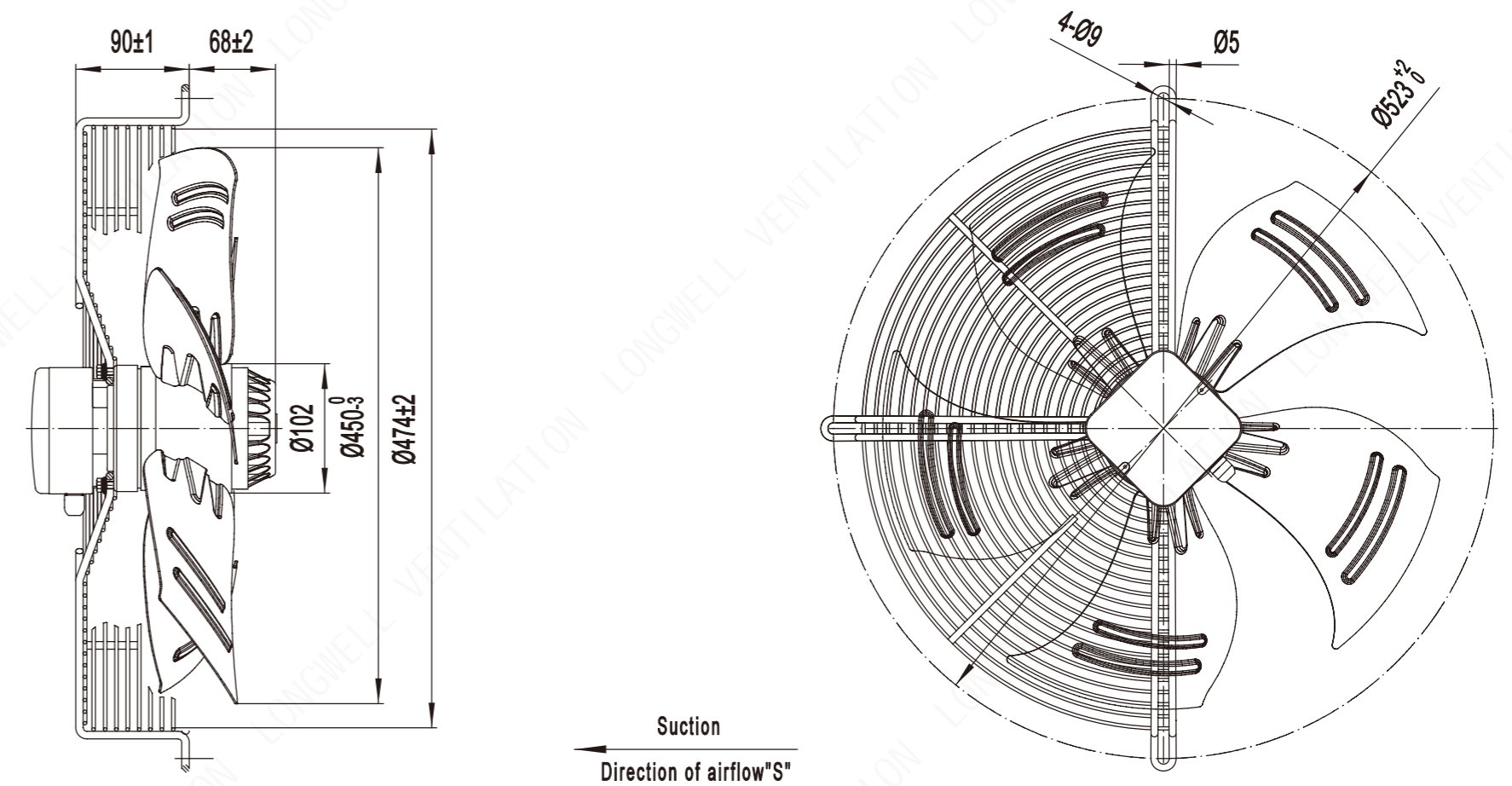
- Blades : Cold rolled steel
- Number of blades: 5
- Mode of operation: S1
- Type of protection: IP54
- Insulation class: F
- Operation Temperature: -30~+60 C



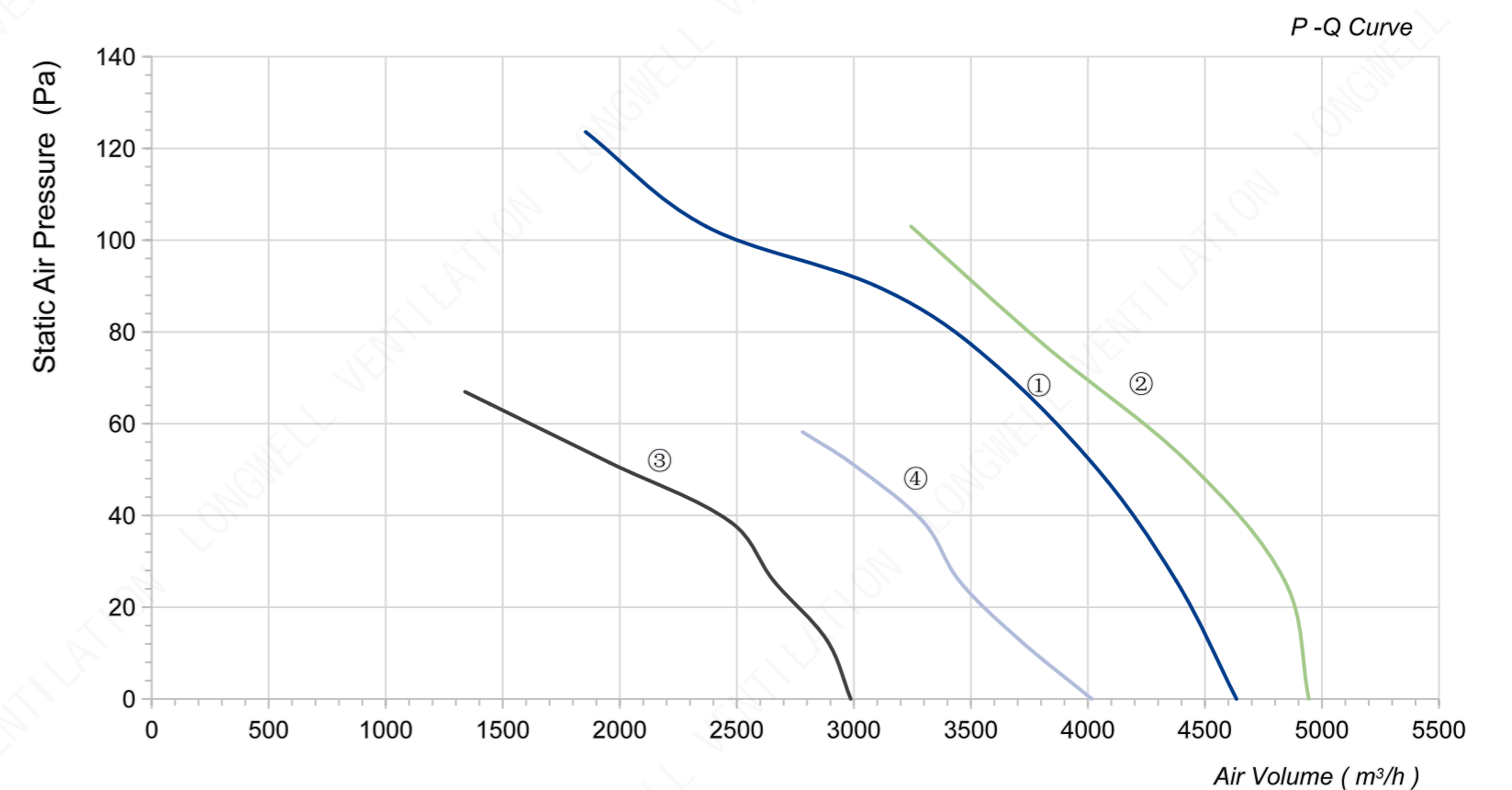
Technical Specifications

Model	Voltage (V)	Frequency (Hz)	Current (A)	Power (W)	Speed (RPM)	Air Volume (m³/h)	Capacitor (uF)	Noise [dB(A)]	Curve
LWAA4E450S-5MEB-01	220/230	50	1.1	250	1350	4635	7	62	①
LWAA4E450S-5MEB-02	220/230	60	1.2	280	1600	4944	7	64	②
LWAA4D450S-5MEB-03	380/400	50	0.5	250	1350	4635	/	62	①
LWAA4D450S-5MEB-04	380/400	60	0.6	280	1600	4944	/	64	②
LWAA6E450S-5MEB-05	220/230	50	0.65	135	920	2987	6	56	③
LWAA6E450S-5MEB-06	220/230	60	0.75	170	1100	4017	6	58	④
LWAA6D450S-5MEB-07	380/400	50	0.31	135	910	2987	/	56	③
LWAA6D450S-5MEB-08	380/400	60	0.34	140	1030	4017	/	58	④

Product Drawing (mm)



Flow Rate Curve



LWAA-450 Series

Product Characteristic

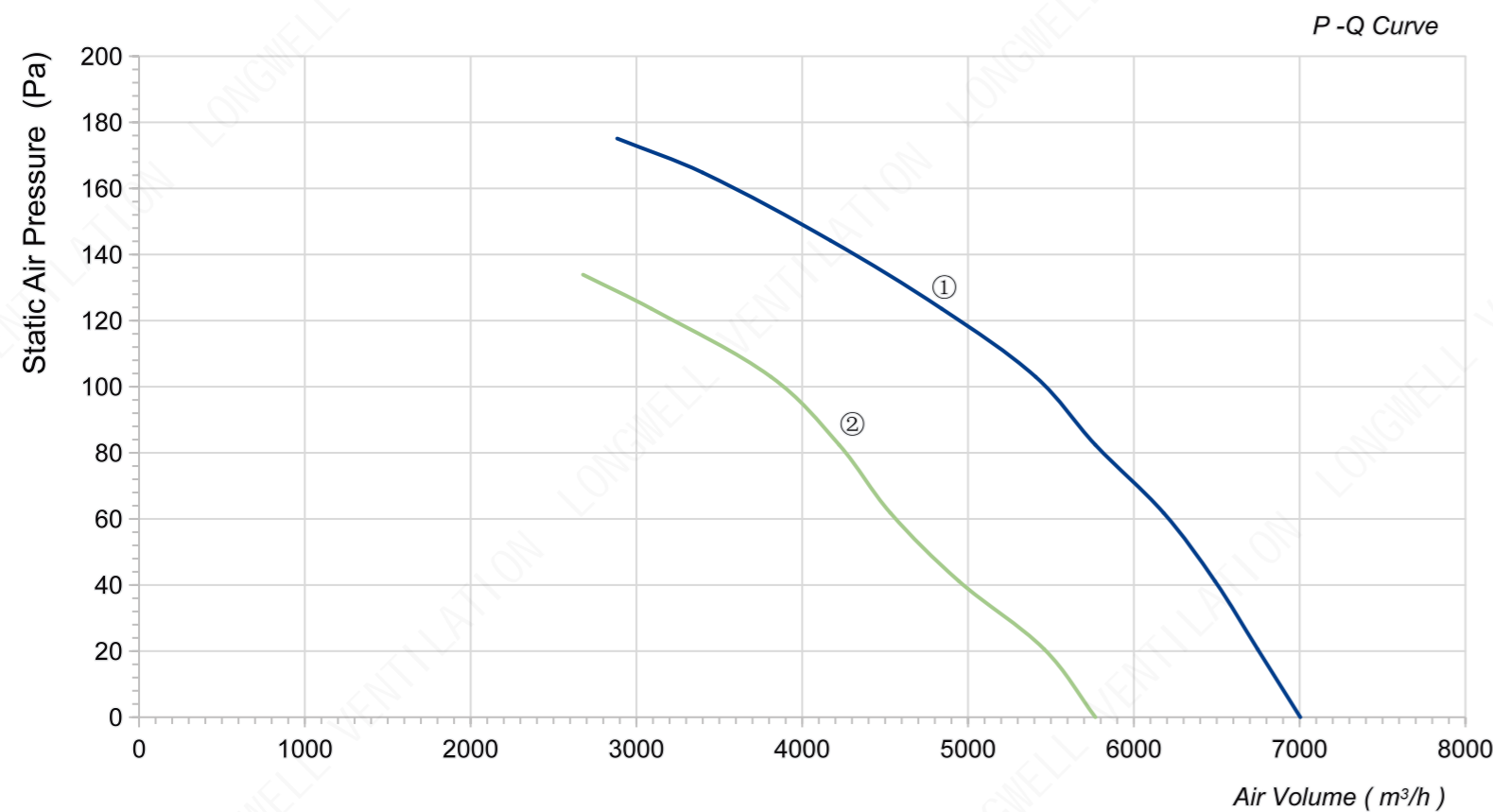
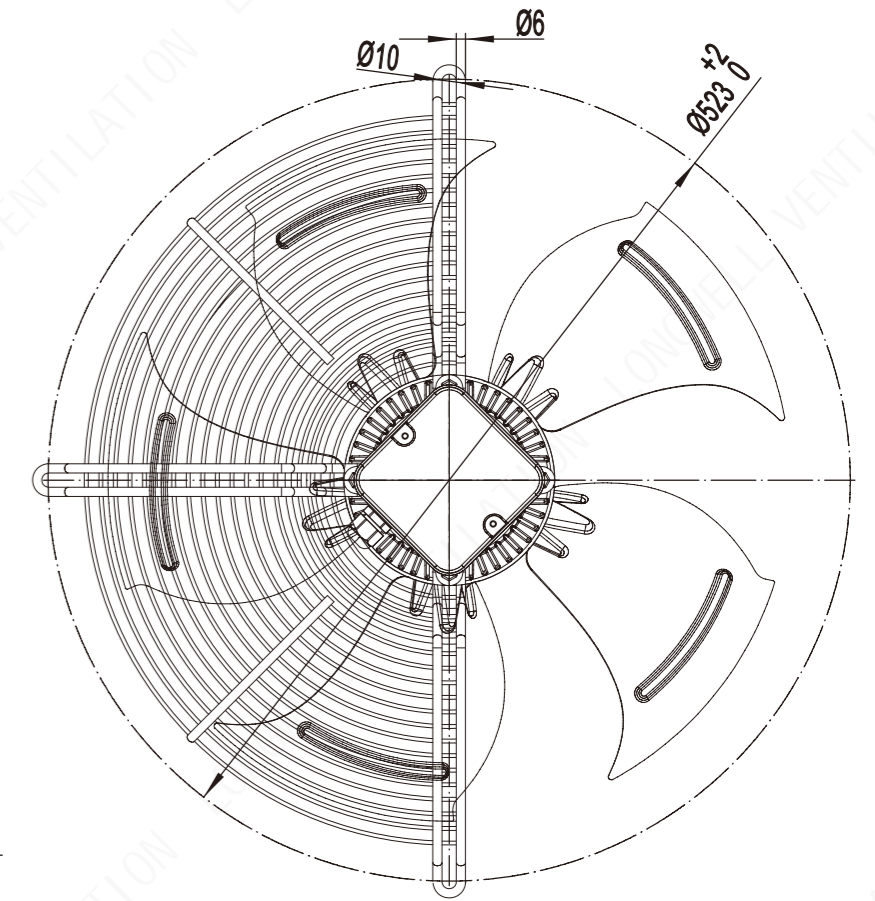
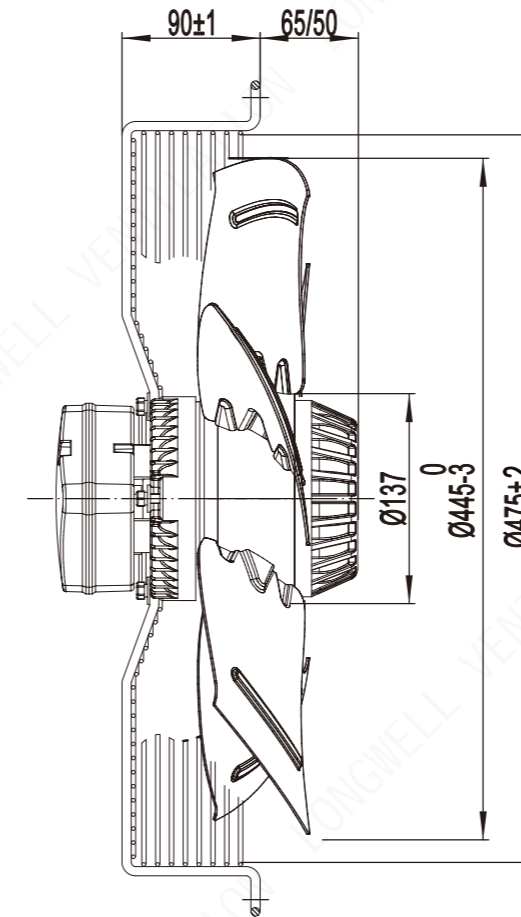
- Blades : Cold rolled steel
- Number of blades: 5
- Mode of operation: S1
- Type of protection: IP54
- Insulation class: F
- Operation Temperature: -30~+60 C



Technical Specifications

Model	Voltage (V)	Frequency (Hz)	Current (A)	Power (W)	Speed (RPM)	Air Volume (m³/h)	Capacitor (uF)	Noise [dB(A)]	Curve
LWAA4E450S-5MEB-09	220/230	50	2.2	480	1350	7004	16	66	①
LWAA4D450S-5MEB-10	380/400	60	1.15	480	1350	7004	/	66	①
LWAA4E450S-5MEB-11	220/230	50	1.75	380	1350	5768	10	64	②
LWAA4D450S-5MEB-12	380/400	60	0.8	380	1350	5768	/	64	②

Product Drawing (mm)



LWAA-450 Series

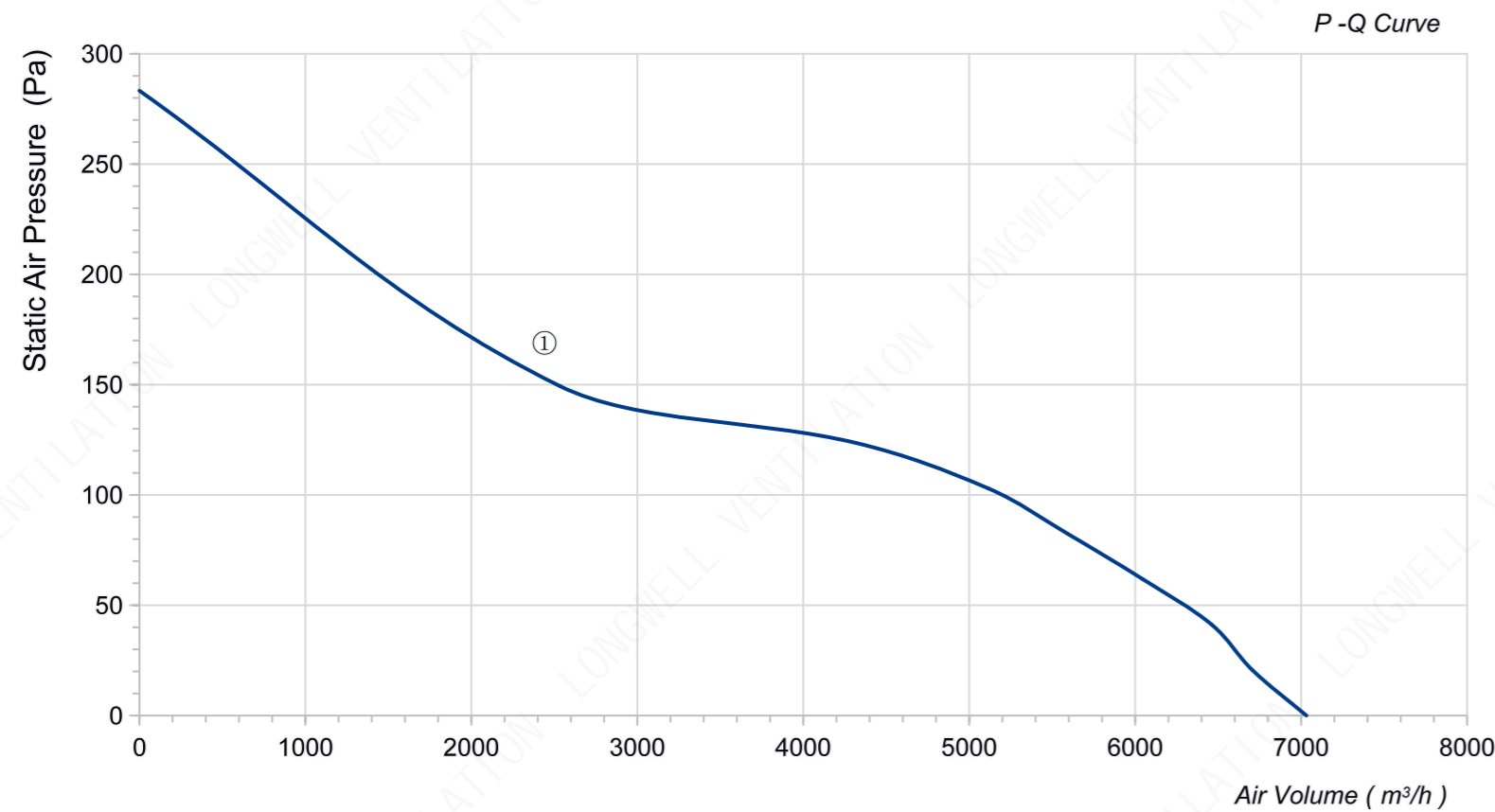
Product Characteristic

- Blades : Cold rolled steel
- Number of blades: 5
- Mode of operation: S1
- Type of protection: IP54
- Insulation class: F
- Operation Temperature: -30~+60 C

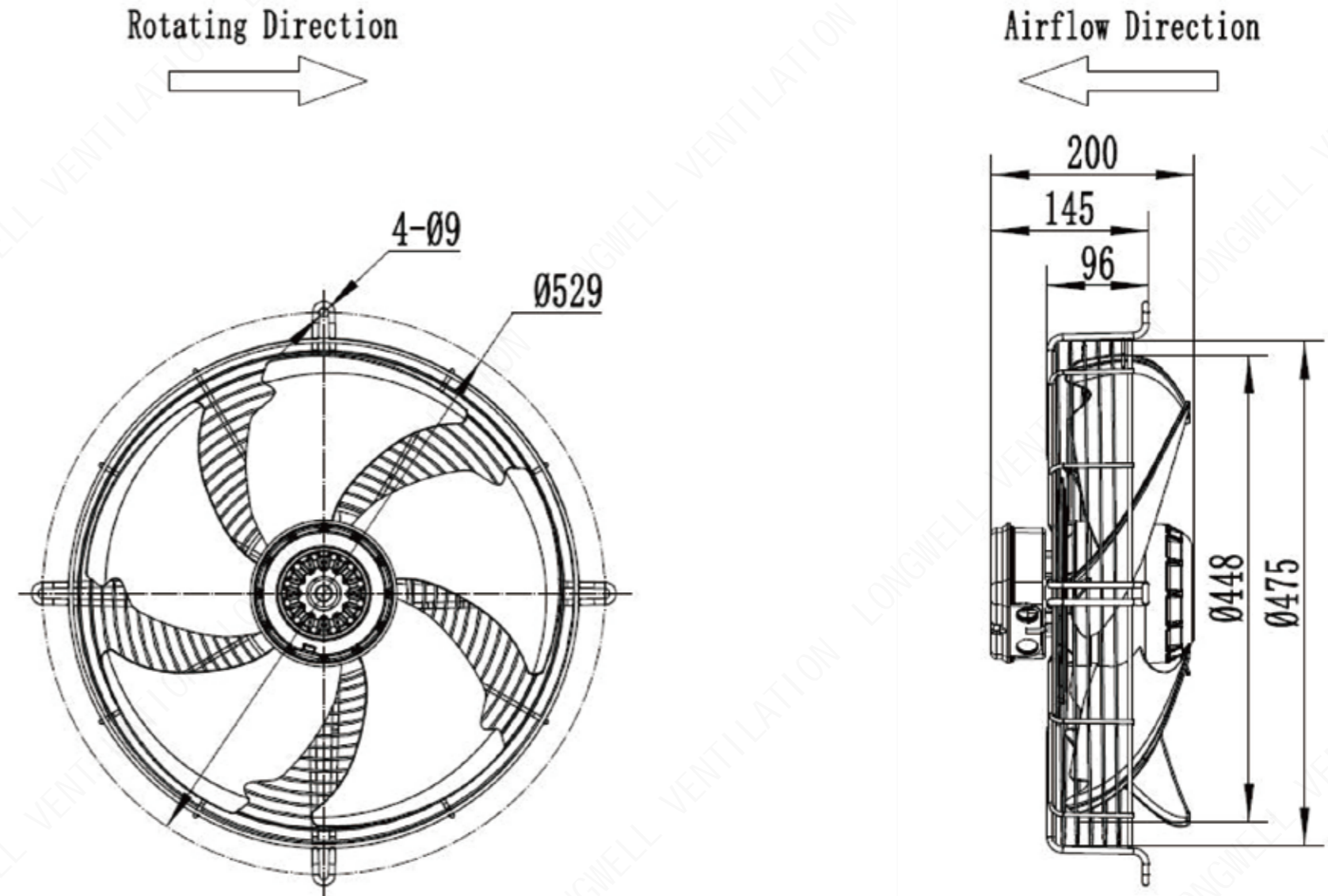


Technical Specifications

Model	Voltage (V)	Frequency (Hz)	Current (A)	Power (W)	Speed (RPM)	Air Volume (m³/h)	Capacitor (uF)	Noise [dB(A)]	Curve
LWAA4E450S-5MEB-13	230	50	1.8	400	1420	7025	16	72	①



Product Drawing (mm)



LWAA-450 Series

Product Characteristic

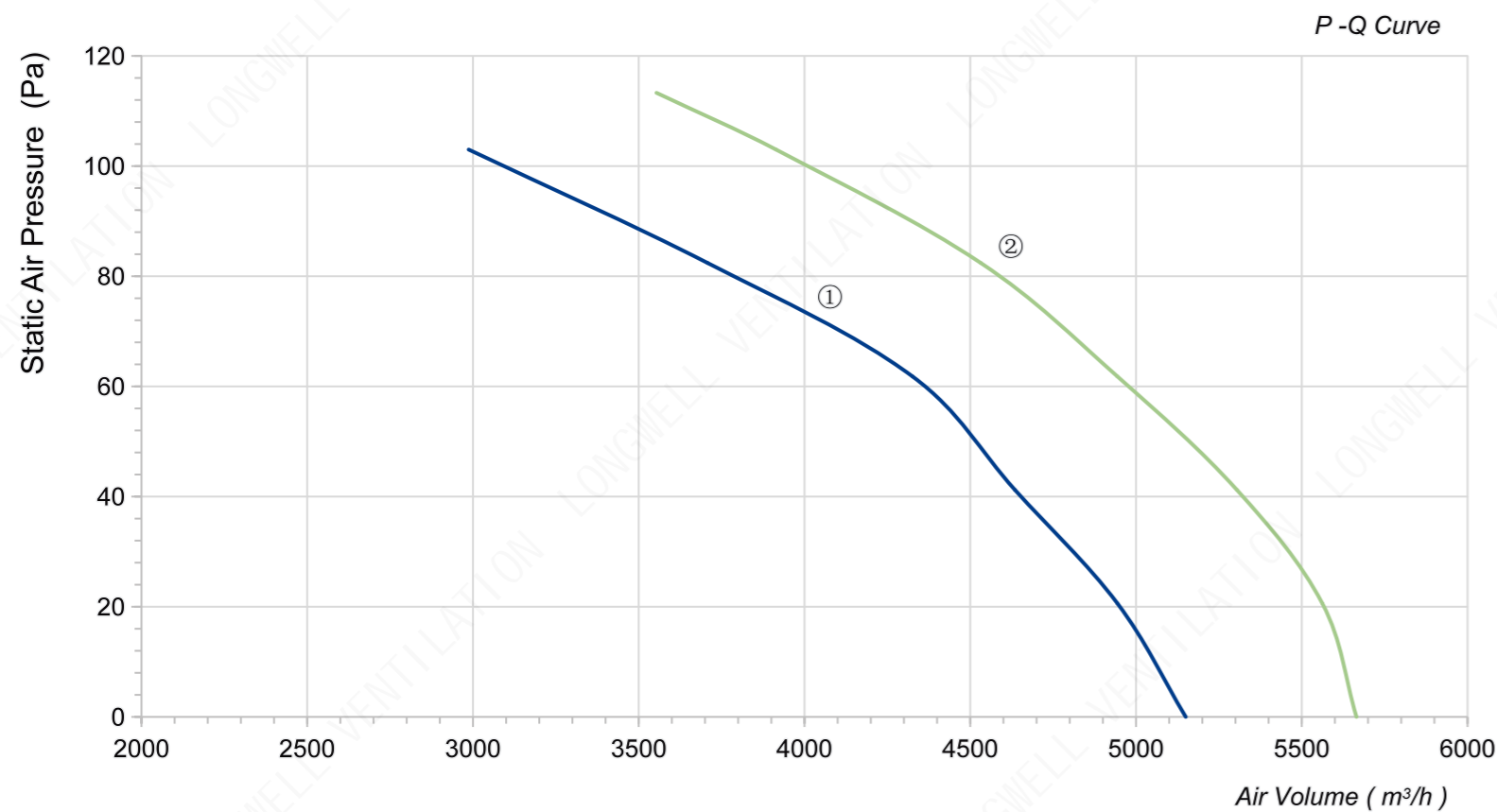
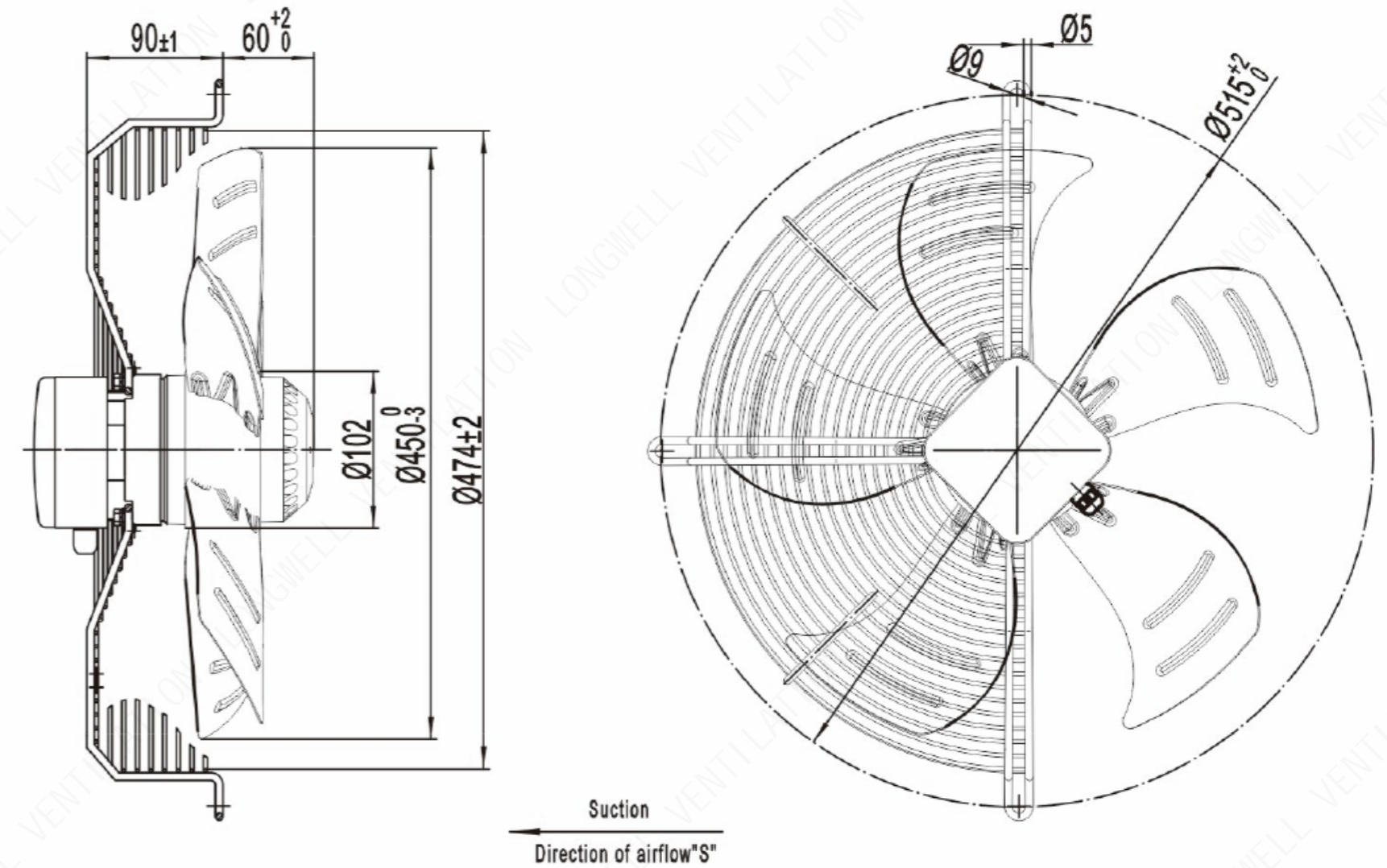
- Blades : Cold rolled steel
- Number of blades: 5
- Mode of operation: S1
- Type of protection: IP55
- Insulation class: F
- Operation Temperature: -30~+60 C



Technical Specifications

Model	Voltage (V)	Frequency (Hz)	Current (A)	Power (W)	Speed (RPM)	Air Volume (m³/h)	Capacitor (uF)	Noise [dB(A)]	Curve
LWAA4E450S-5MEB-14	220/230	50	1.22	270	1350	5150	7	58	①
LWAA4E450S-5MEB-15	220/230	60	1.6	330	1400	5665	7	60	②
LWAA4D450S-5MEB-16	380/400	50	0.81	270	1350	5150	/	58	①
LWAA4D450S-5MEB-17	380/400	60	0.9	330	1400	5665	/	60	②

Product Drawing (mm)



LWAA-450 Series

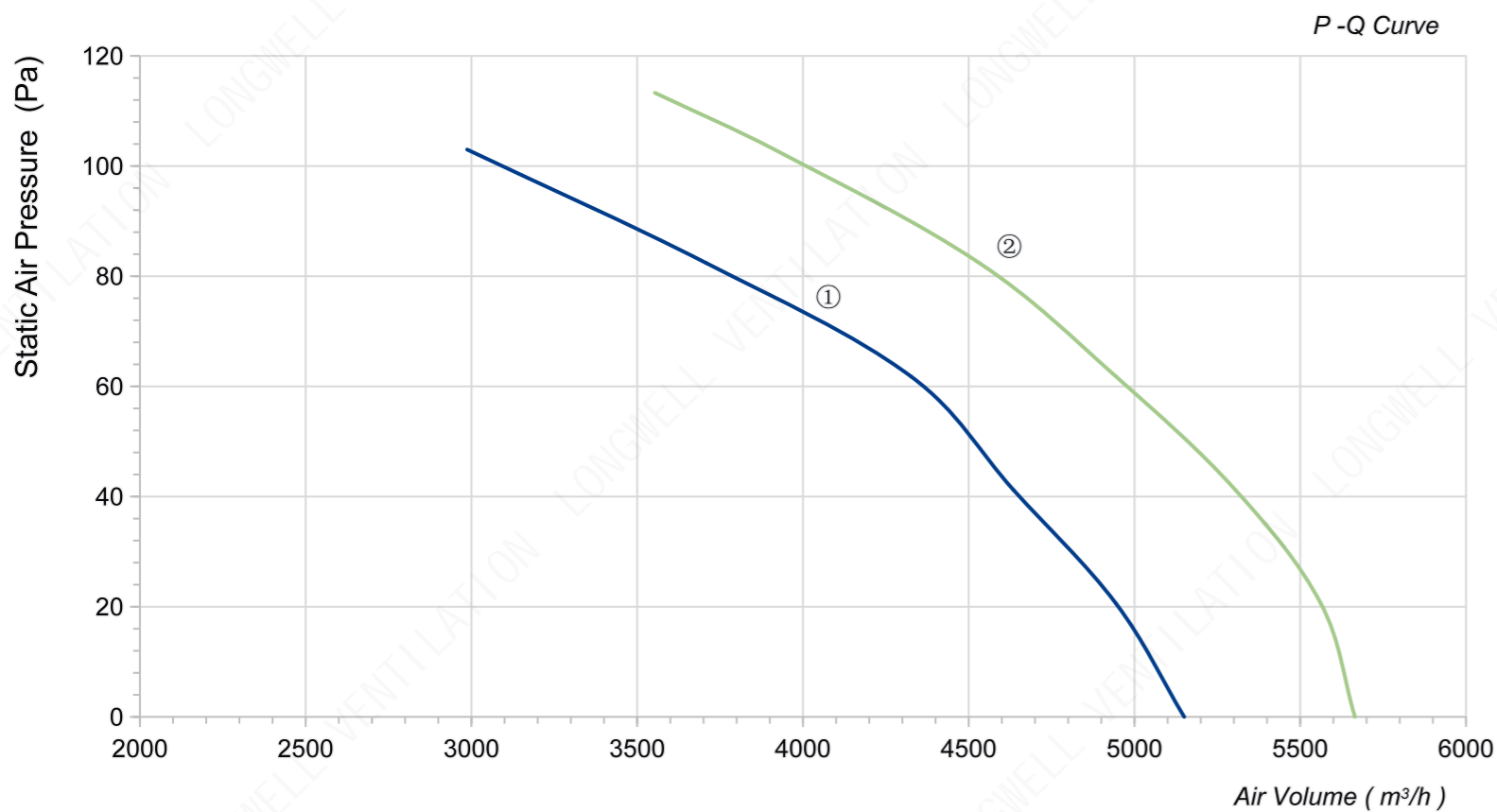
Product Characteristic

- Blades : Cold rolled steel
- Number of blades: 5
- Mode of operation: S1
- Type of protection: IP55
- Insulation class: F
- Operation Temperature: -30~+60 C

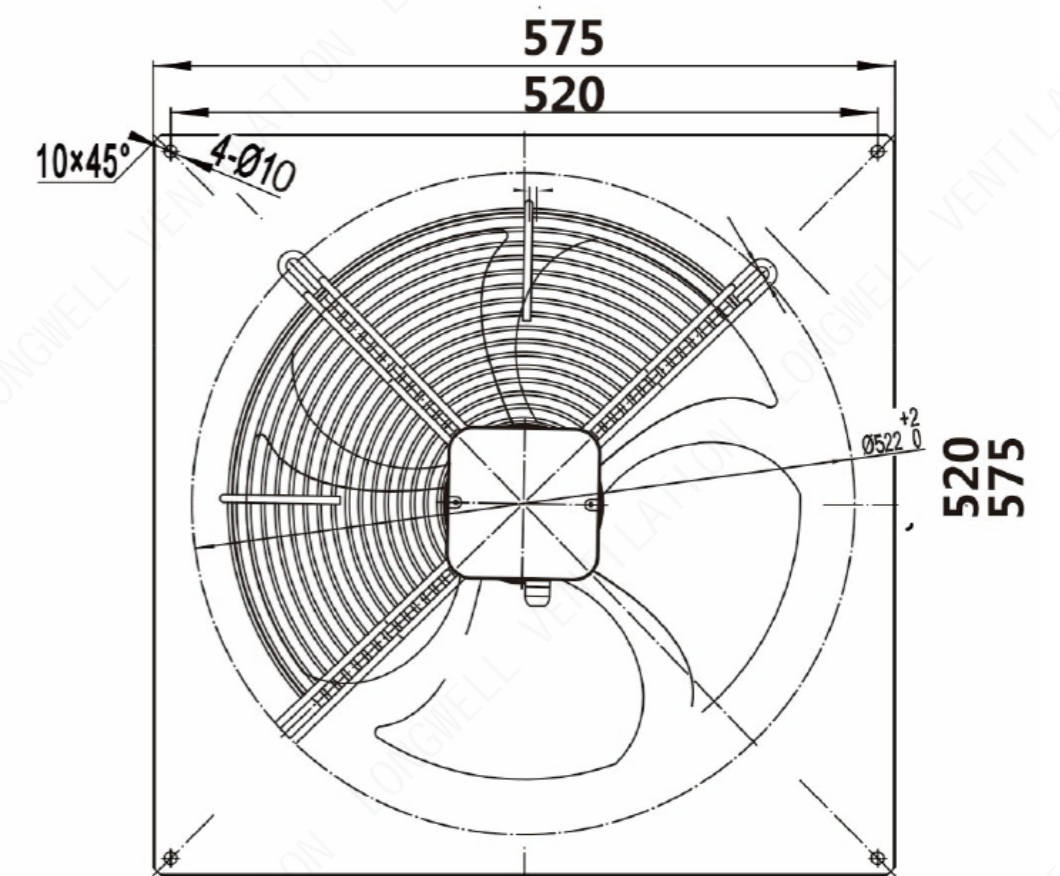
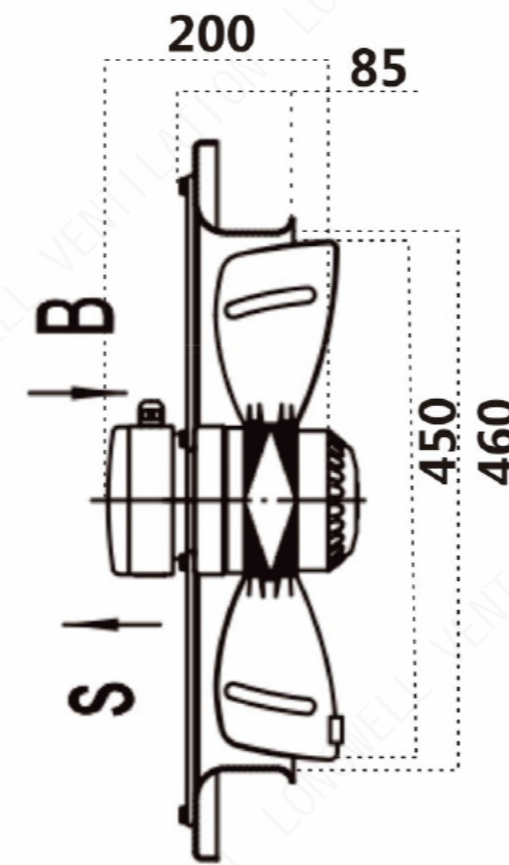


Technical Specifications

Model	Voltage (V)	Frequency (Hz)	Current (A)	Power (W)	Speed (RPM)	Air Volume (m³/h)	Capacitor (uF)	Noise [dB(A)]	Curve
LWAA4E450S-5MKB-18	220/230	50	1.22	270	1350	5150	7	58	①
LWAA4E450S-5MKB-19	220/230	60	1.6	330	1400	5665	7	60	②
LWAA4D450S-5MKB-20	380/400	50	0.81	270	1350	5150	/	58	①
LWAA4D450S-5MKB-21	380/400	60	0.9	330	1400	5665	/	60	②



Product Drawing (mm)



LWAA-450 Series

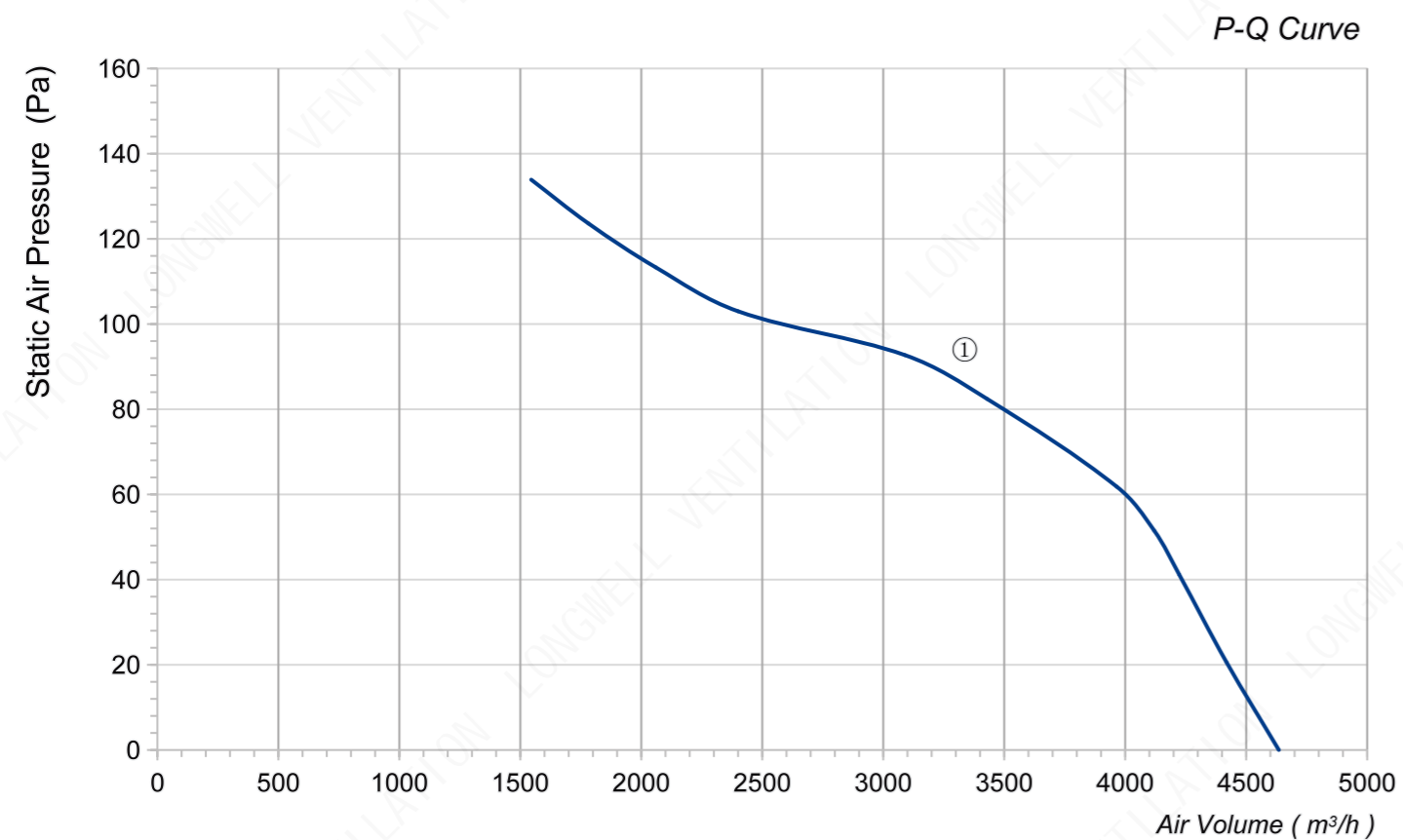
Product Characteristic

- Blades : Cold rolled steel
- Number of blades: 5
- Mode of operation: S1
- Type of protection: IP54
- Insulation class: F
- Operation Temperature: -30 C~+60 C

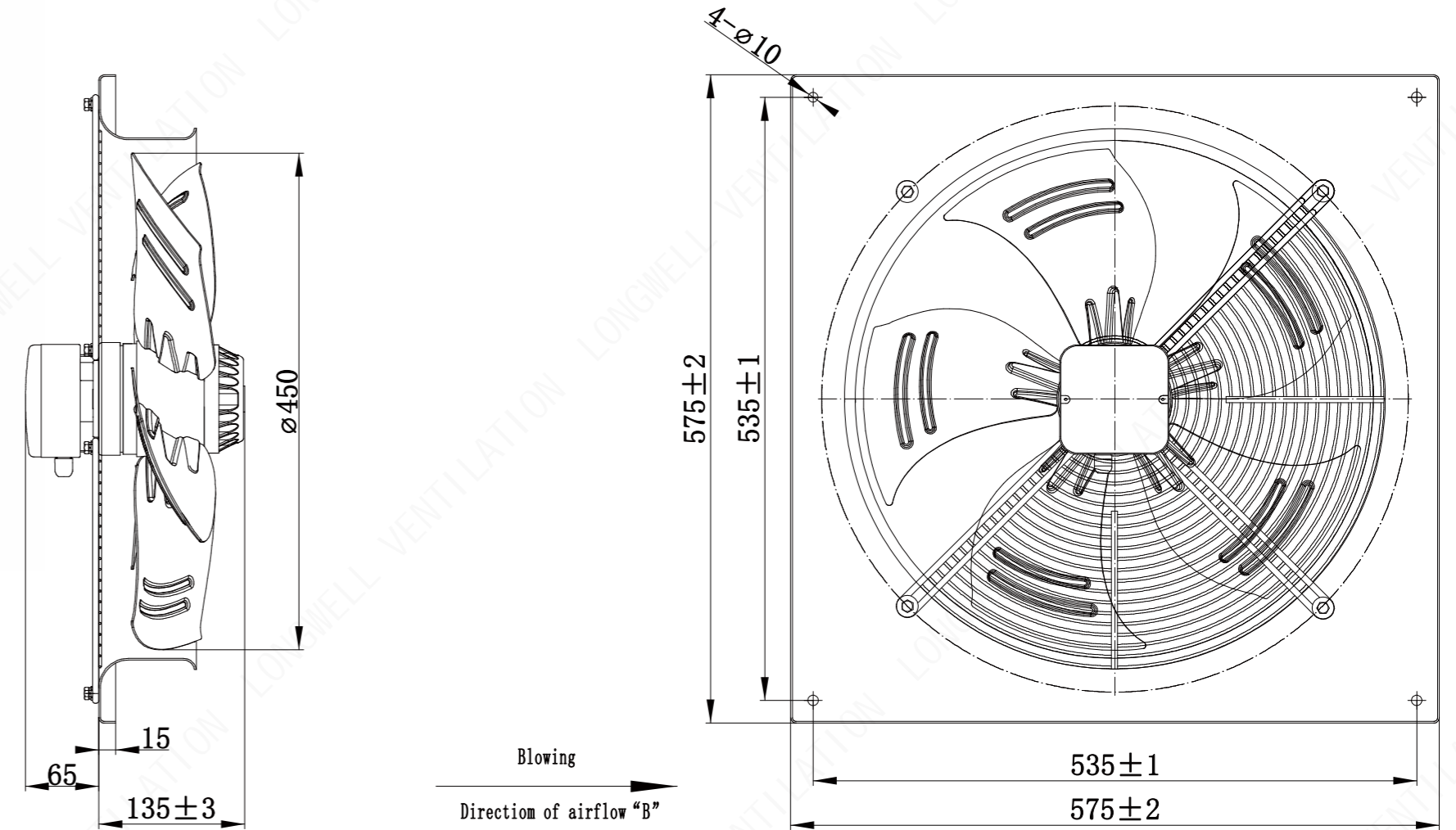


Technical Specifications

Model	Voltage (V)	Frequency (Hz)	Current (A)	Power (W)	Speed (RPM)	Air Volume (m³/h)	Capacitor (uF)	Noise [dB(A)]	Curve
LWAA4E450B-5MKB-22	220/230	50	1.1	250	1350	4635	7	62	①



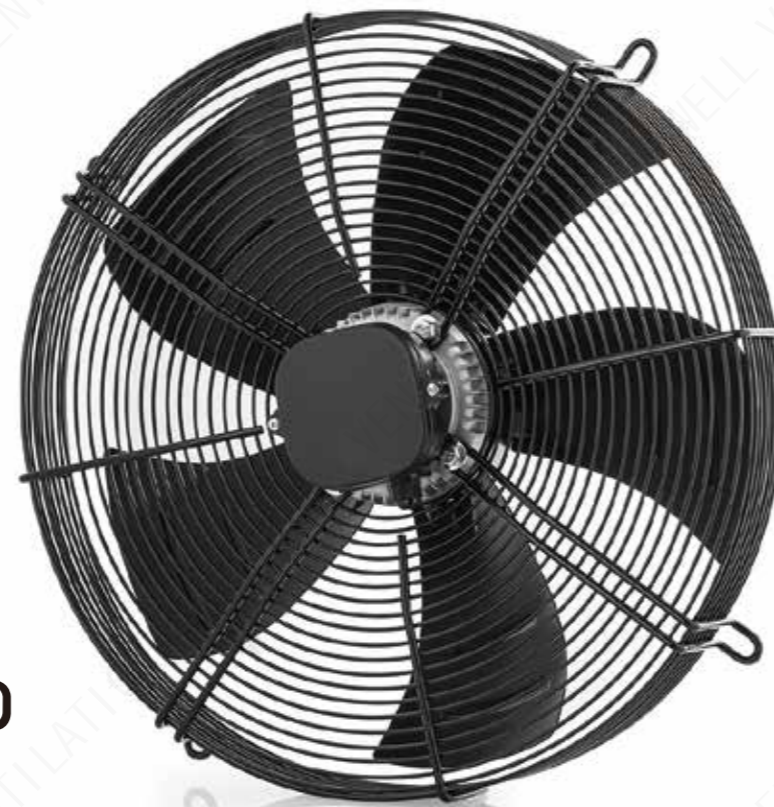
Product Drawing (mm)



LWAA-500 Series

Product Characteristic

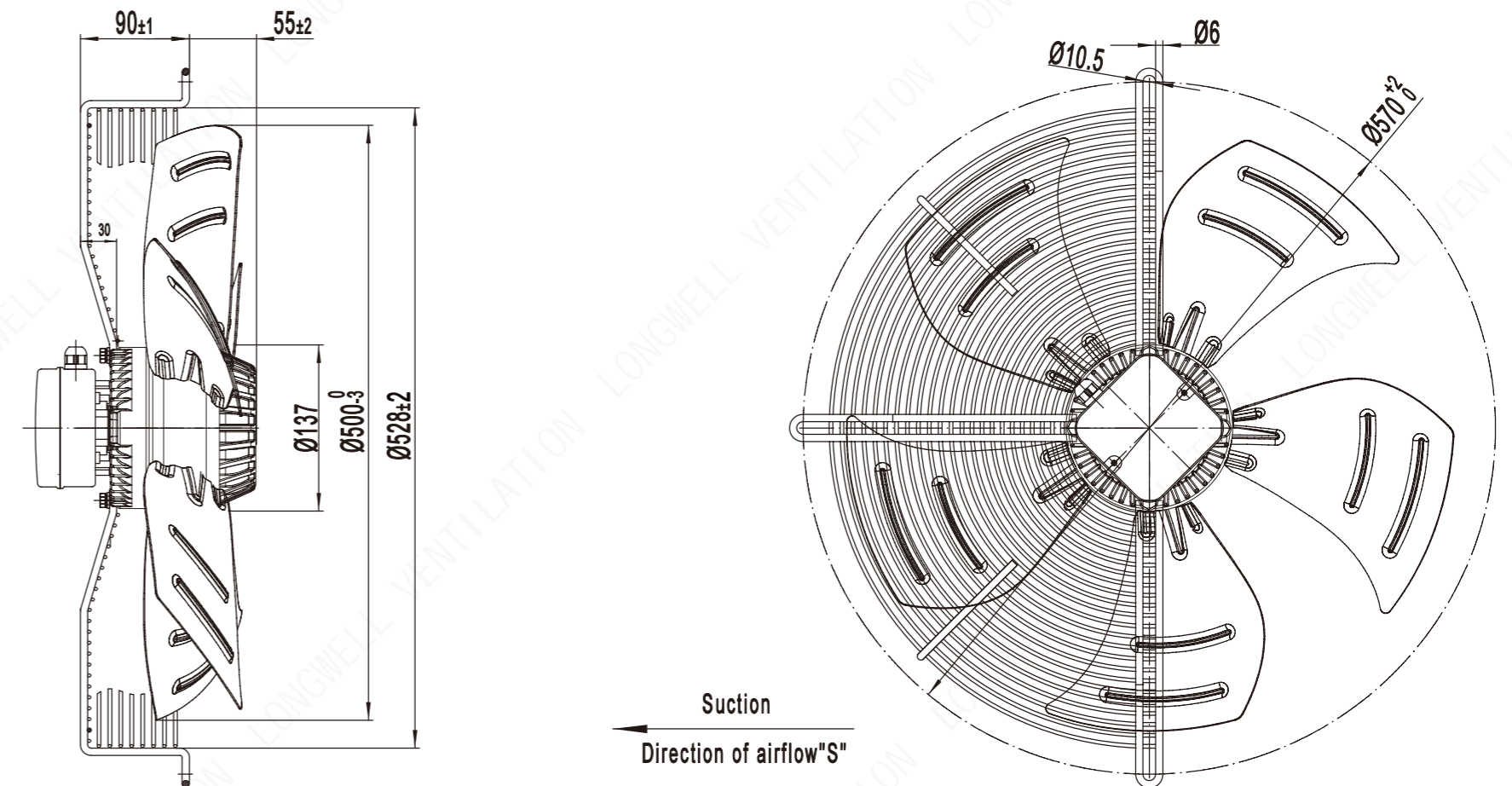
- Blades : Cold rolled steel
- Number of blades: 5
- Mode of operation: S1
- Type of protection: IP54
- Insulation class: F
- Operation Temperature: -30~+60 C



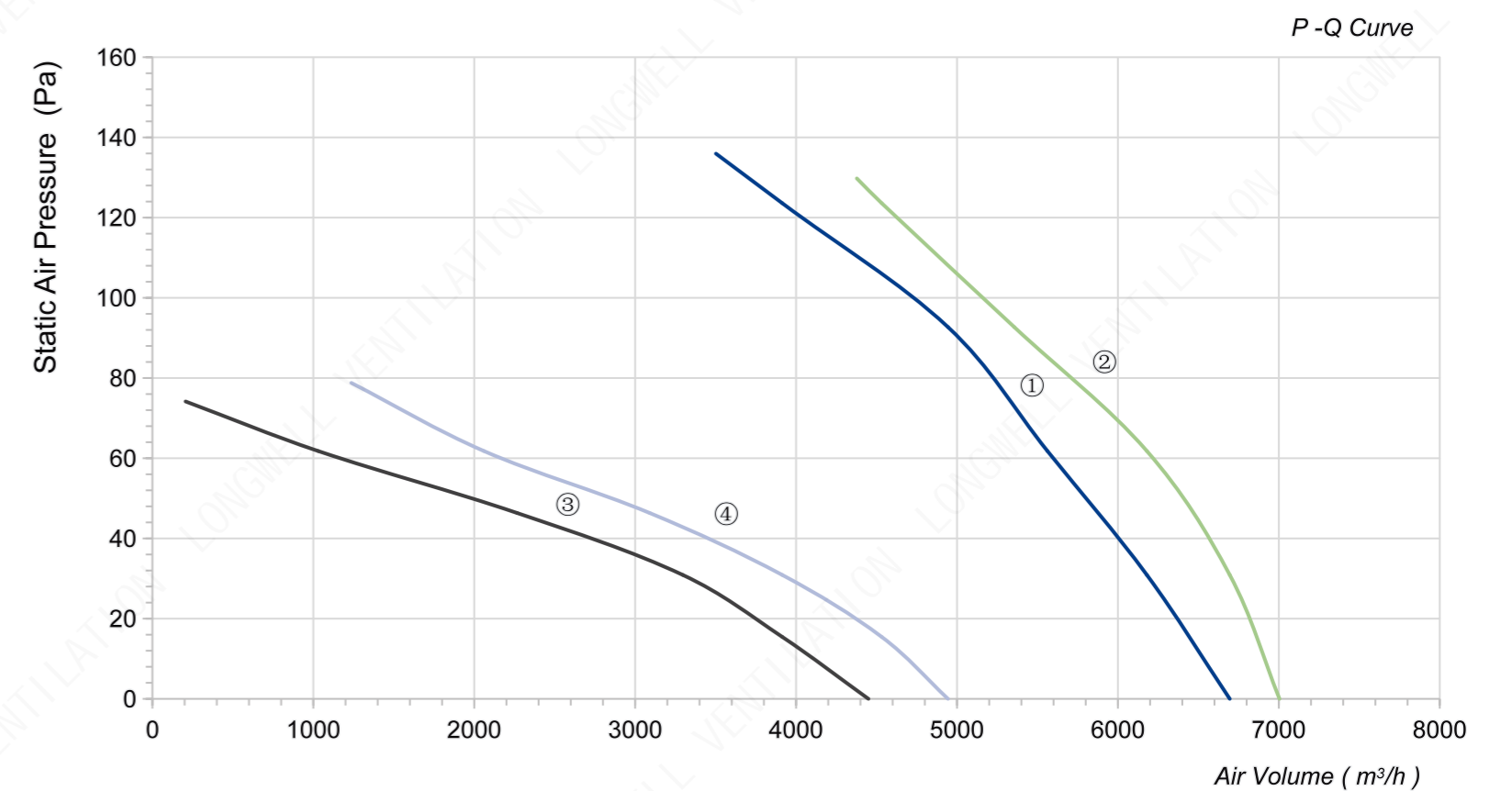
Technical Specifications

Model	Voltage (V)	Frequency (Hz)	Current (A)	Power (W)	Speed (RPM)	Air Volume (m³/h)	Capacitor (uF)	Noise [dB(A)]	Curve
LWAA4E500S-5MEB-01	220/230	50	1.9	420	1320	6695	10	69	①
LWAA4E500S-5MEB-02	220/230	60	2.3	500	1450	7004	10	70	②
LWAA4D500S-5MEB-03	380/400	50	0.9	420	1350	6695	/	69	①
LWAA4D500S-5MEB-04	380/400	60	1	500	1500	7004	/	70	②
LWAA6E500S-5MEB-05	220/230	50	1.1	220	900	4450	6	65	③
LWAA6E500S-5MEB-06	220/230	60	1.35	250	1020	4944	6	66	④
LWAA6D500S-5MEB-07	380/400	50	0.6	220	900	4450	/	65	③
LWAA6D500S-5MEB-08	380/400	60	0.65	250	1100	4944	/	66	④

Product Drawing (mm)



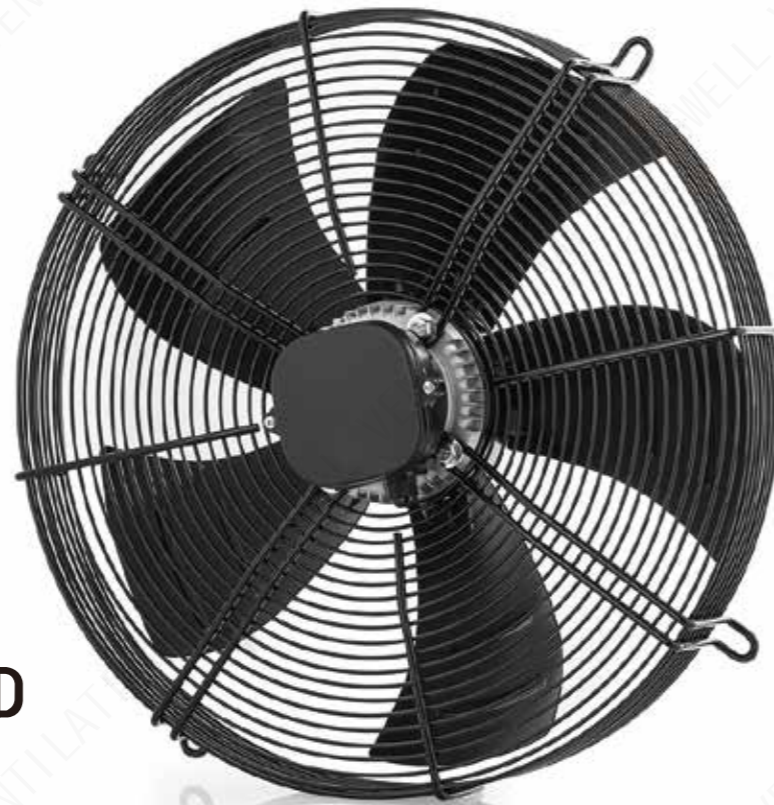
Flow Rate Curve



LWAA-500 Series

Product Characteristic

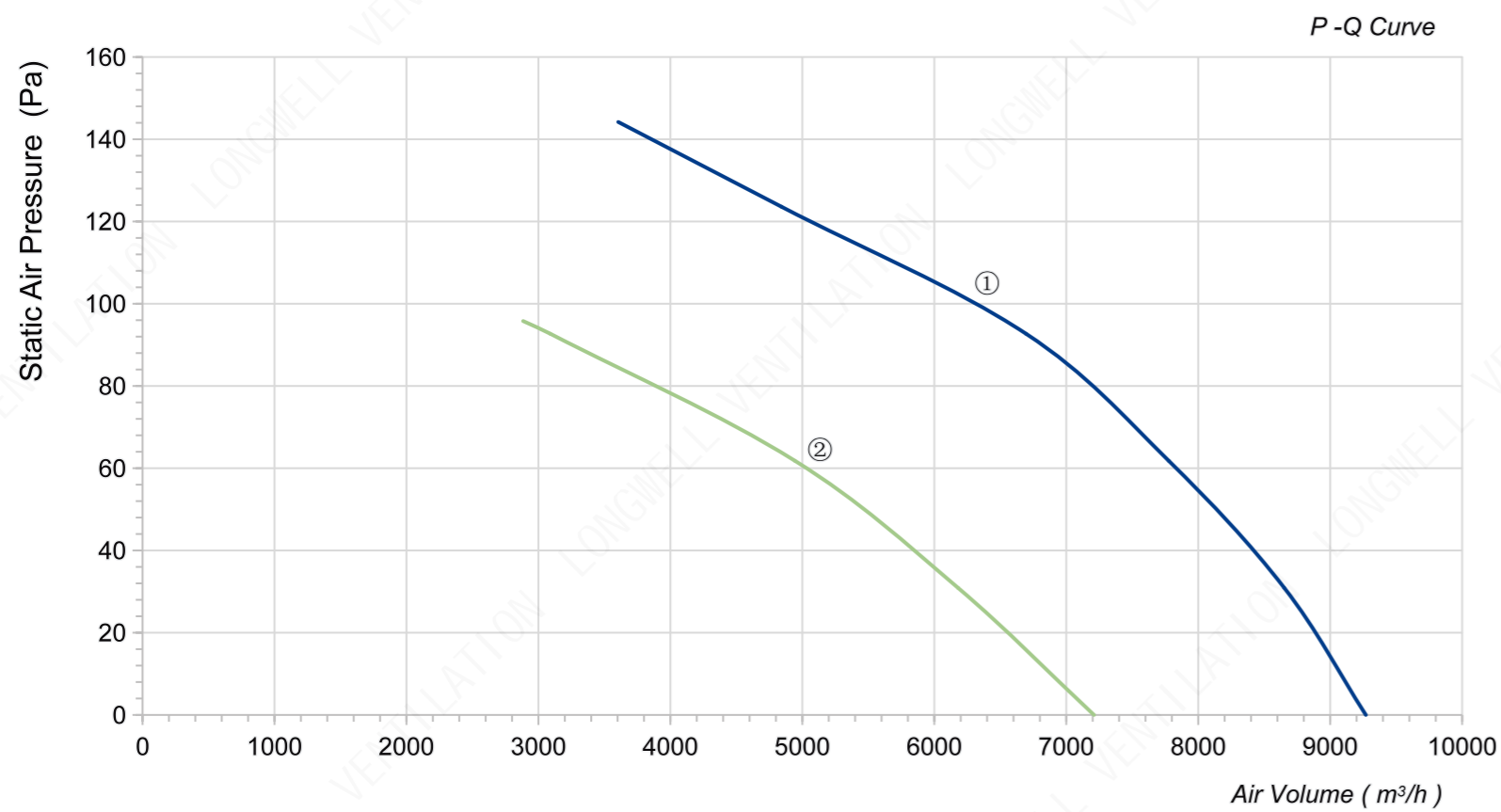
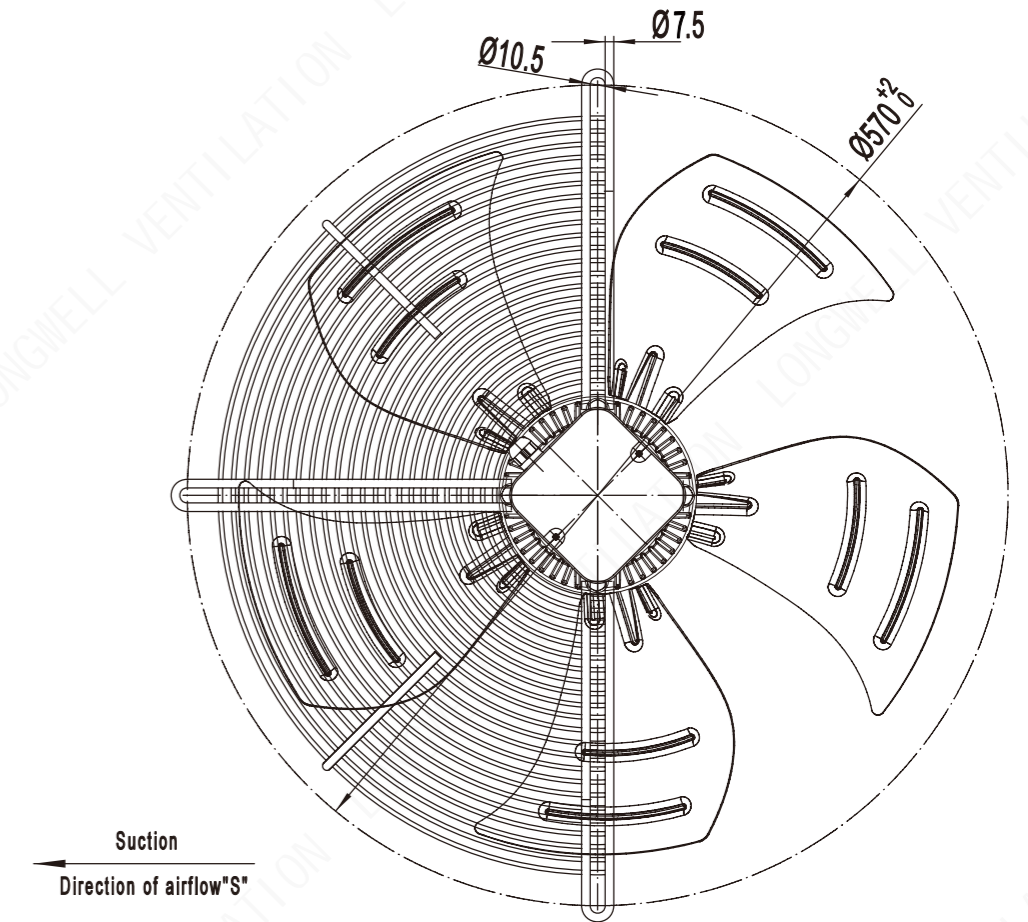
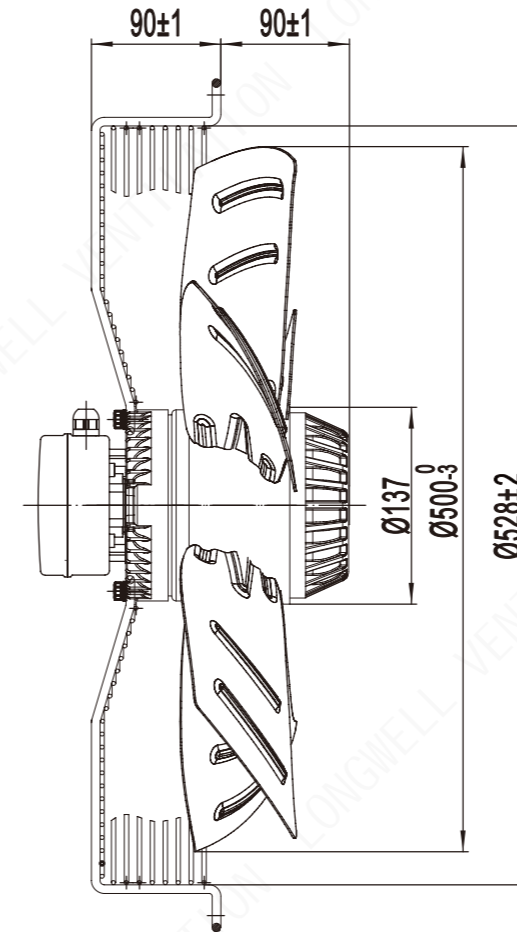
- Blades : Cold rolled steel
- Number of blades: 5
- Mode of operation: S1
- Type of protection: IP55
- Insulation class: F
- Operation Temperature: -30~+60 C



Technical Specifications

Model	Voltage (V)	Frequency (Hz)	Current (A)	Power (W)	Speed (RPM)	Air Volume (m³/h)	Capacitor (uF)	Noise [dB(A)]	Curve
LWAA4E500S-5MEB-09	220/230	50	3.8	800	1320	9270	16	80	①
LWAA4D500S-5MEB-10	380/400	50	1.5	750	1350	9270	/	80	①
	380/400	50	0.9	500	1000	7210	/	70	②

Product Drawing (mm)



LWAA-500 Series

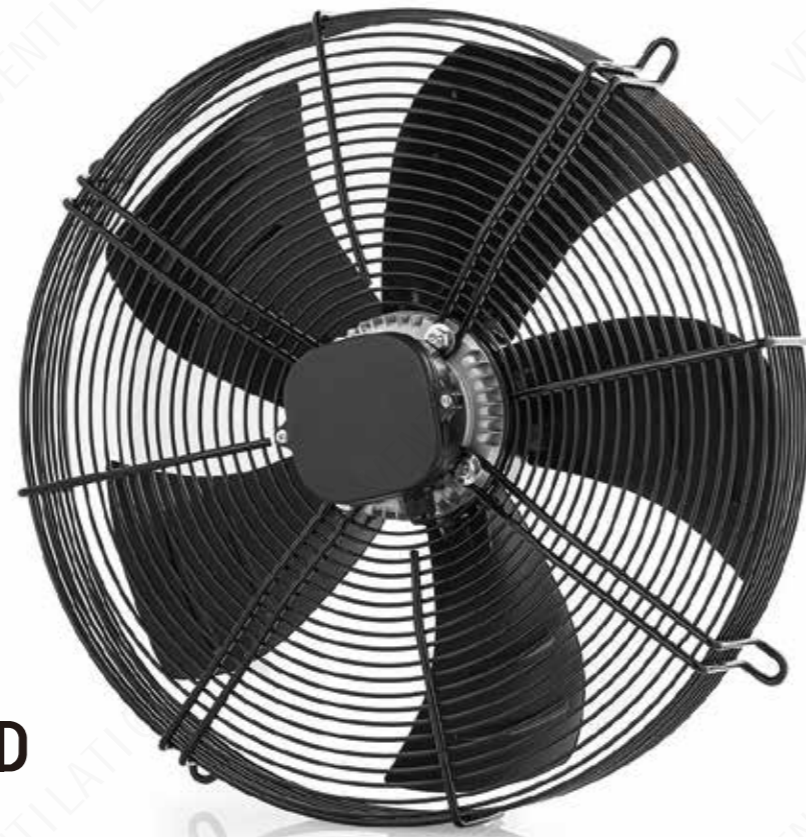
Product Characteristic

- Blades : Cold rolled steel
- Number of blades: 7
- Mode of operation: S1
- Type of protection: IP55
- Insulation class: F
- Operation Temperature: -30~+60 C

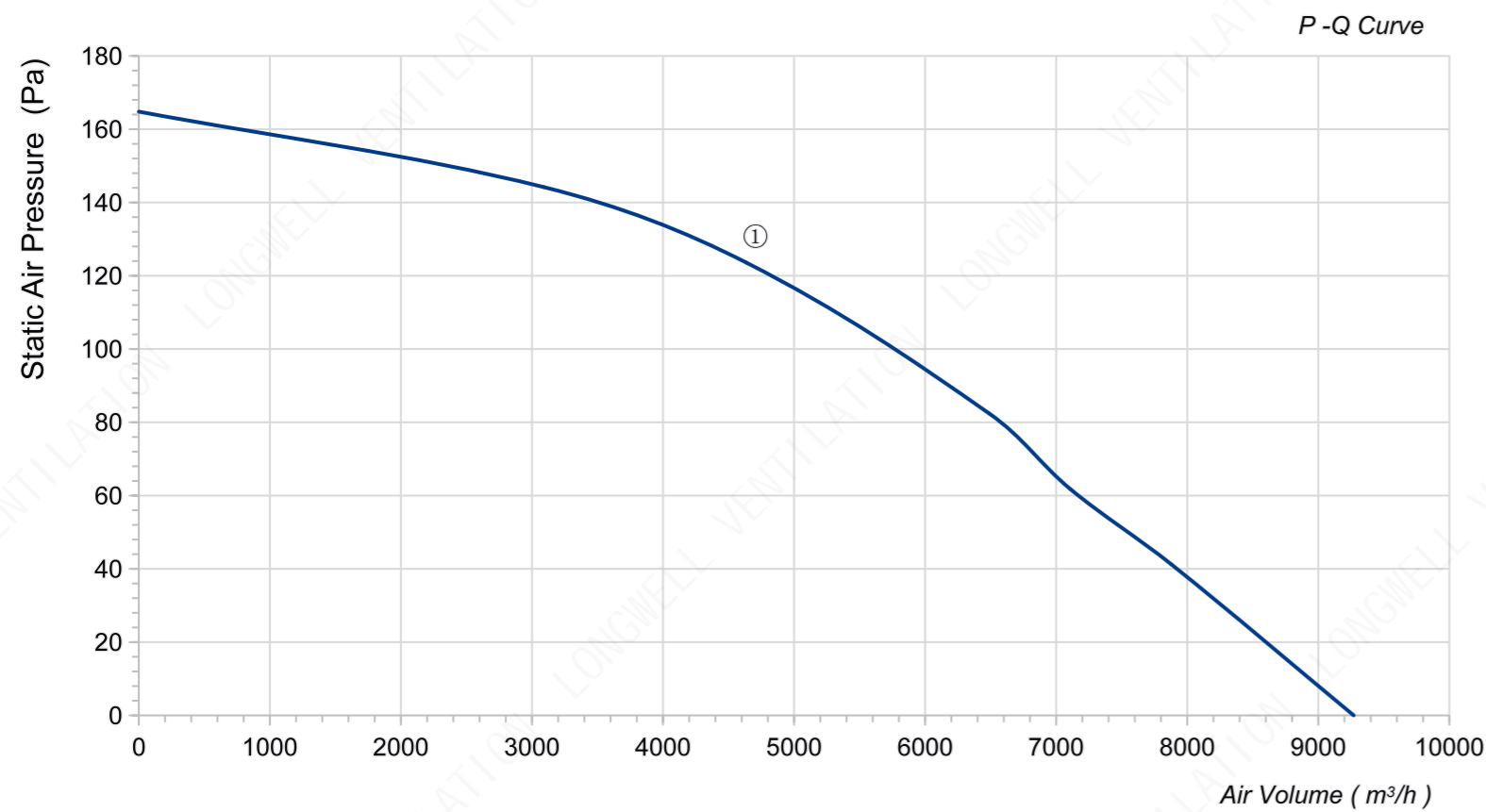
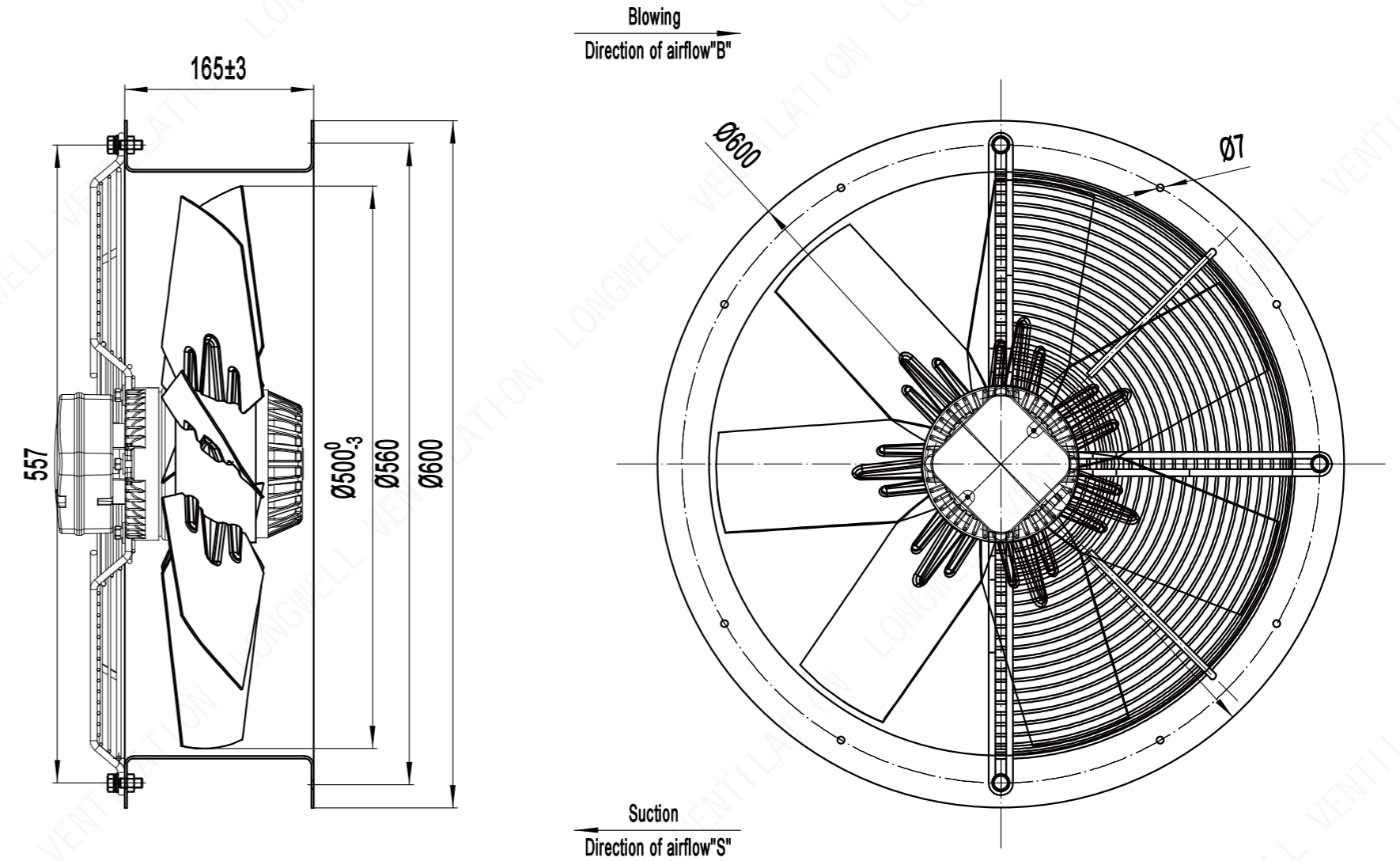


Technical Specifications

Model	Voltage (V)	Frequency (Hz)	Current (A)	Power (W)	Speed (RPM)	Air Volume (m³/h)	Capacitor (uF)	Noise [dB(A)]	Curve
LWAA4D500S-7MKB-11	380/400	50	1.65	800	1350	9270	/	80	①



Product Drawing (mm)



LWAA-500 Series

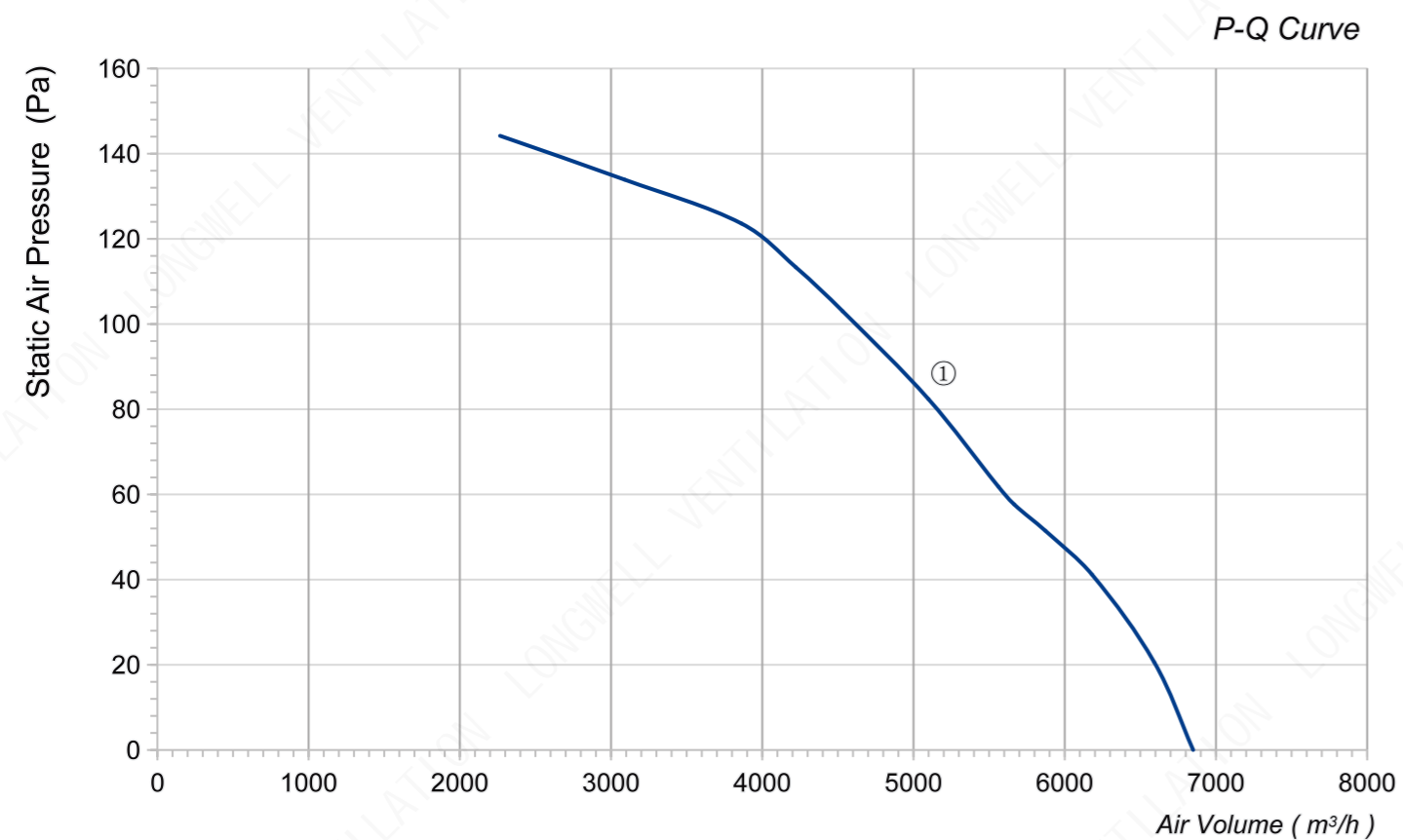
Product Characteristic

- Blades : Cold rolled steel
- Number of blades: 5
- Mode of operation: S1
- Type of protection: IP54
- Insulation class: F
- Operation Temperature: -30 C ~ +60 C

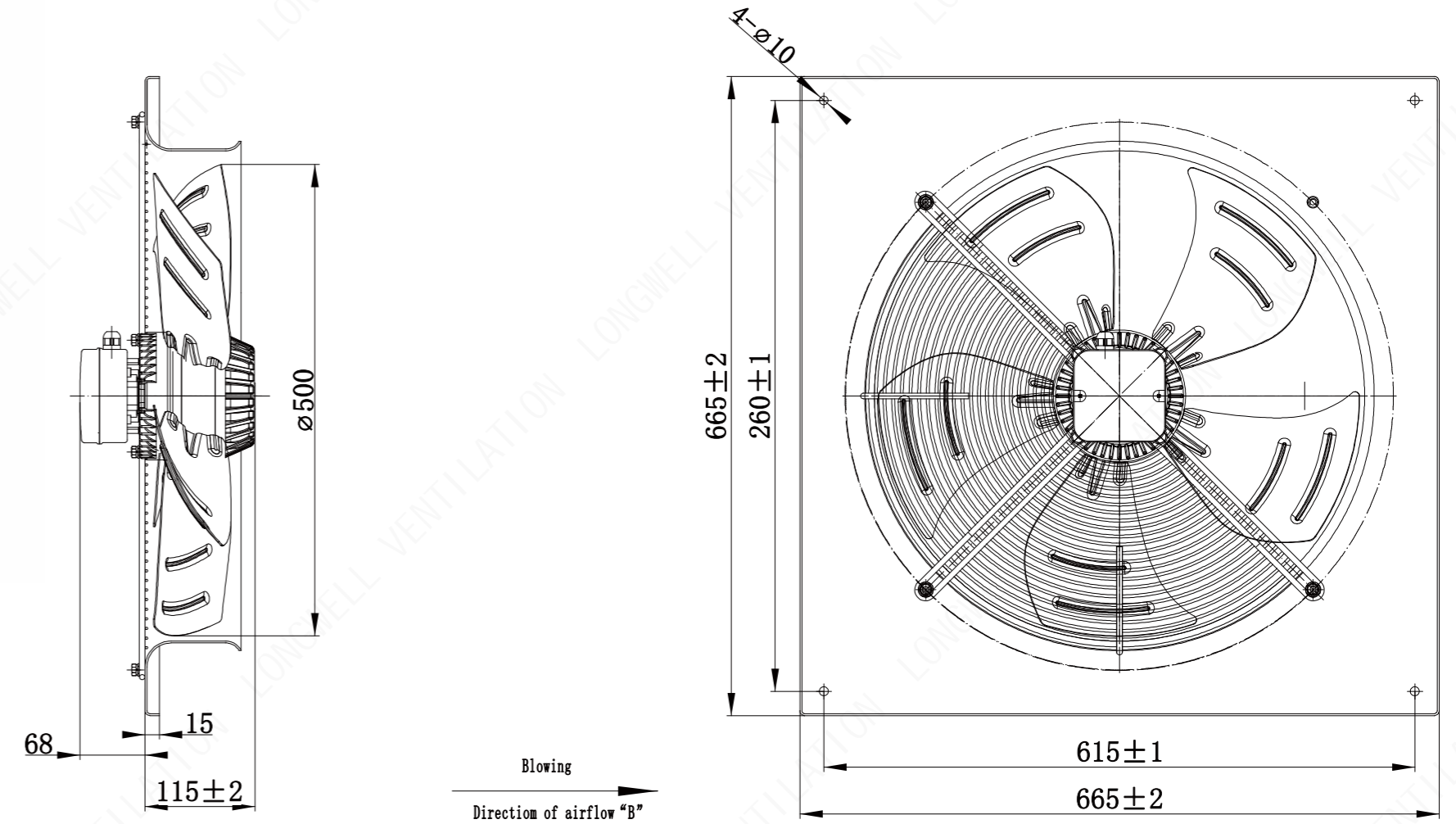


Technical Specifications

Model	Voltage (V)	Frequency (Hz)	Current (A)	Power (W)	Speed (RPM)	Air Volume (m³/h)	Capacitor (uF)	Noise [dB(A)]	Curve
LWAA4E500B-5MKB-12	220/230	50	1.9	420	1320	6850	10	69	①



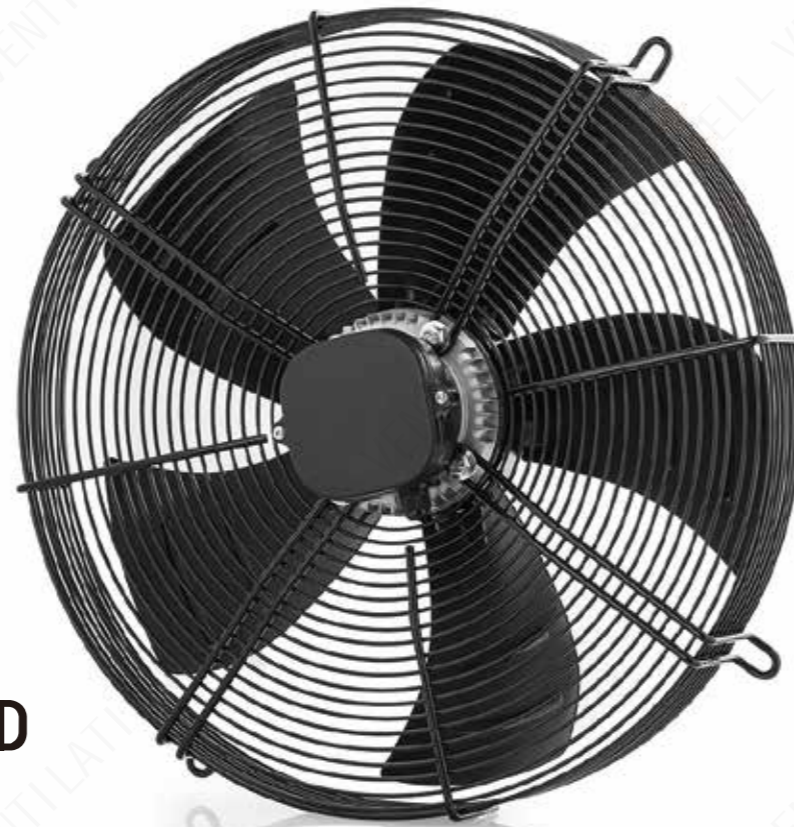
Product Drawing (mm)



LWAA-550 Series

Product Characteristic

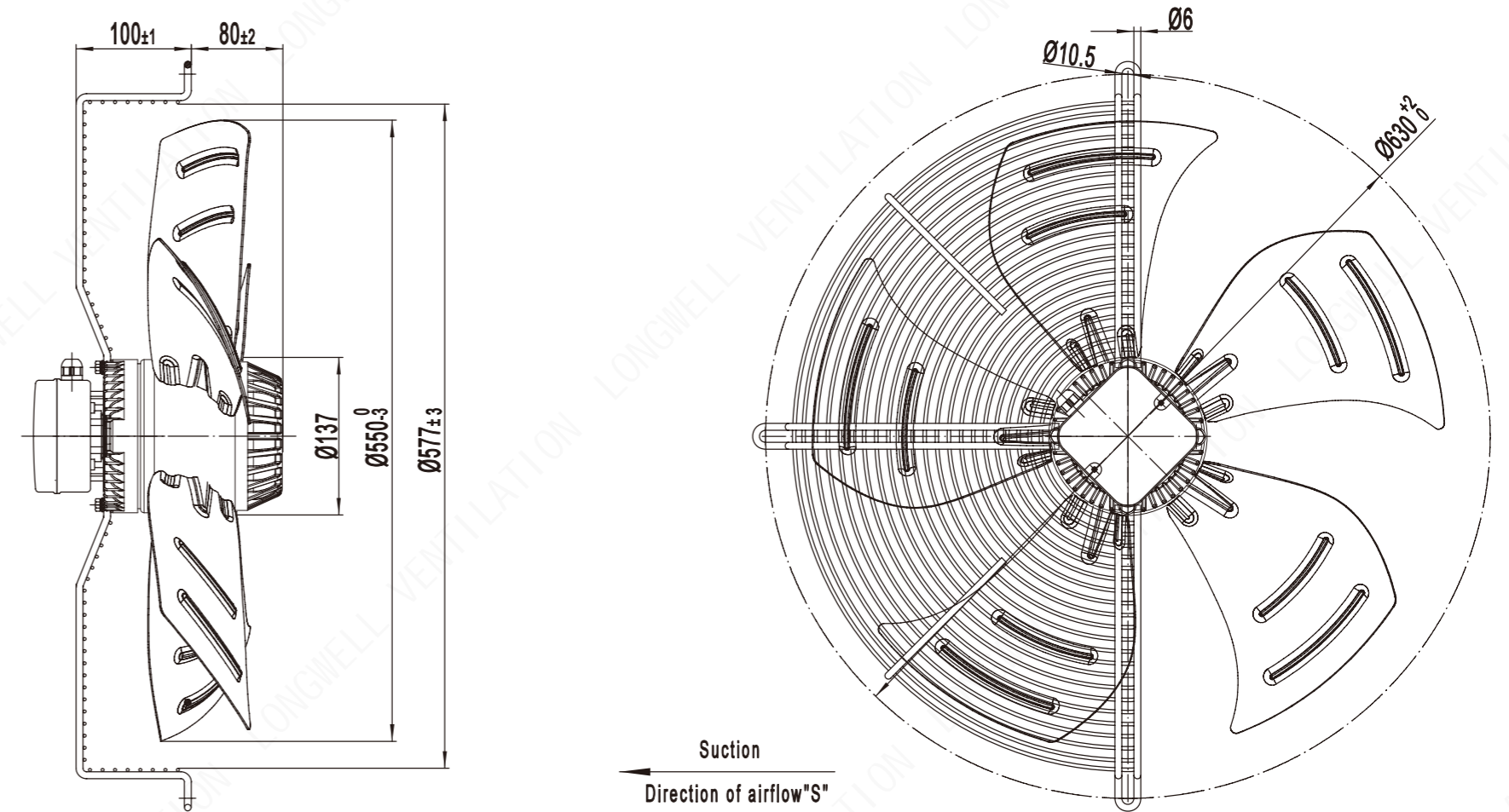
- Blades : Cold rolled steel
- Number of blades: 5
- Mode of operation: S1
- Type of protection: IP54
- Insulation class: F
- Operation Temperature: -30~+60 C



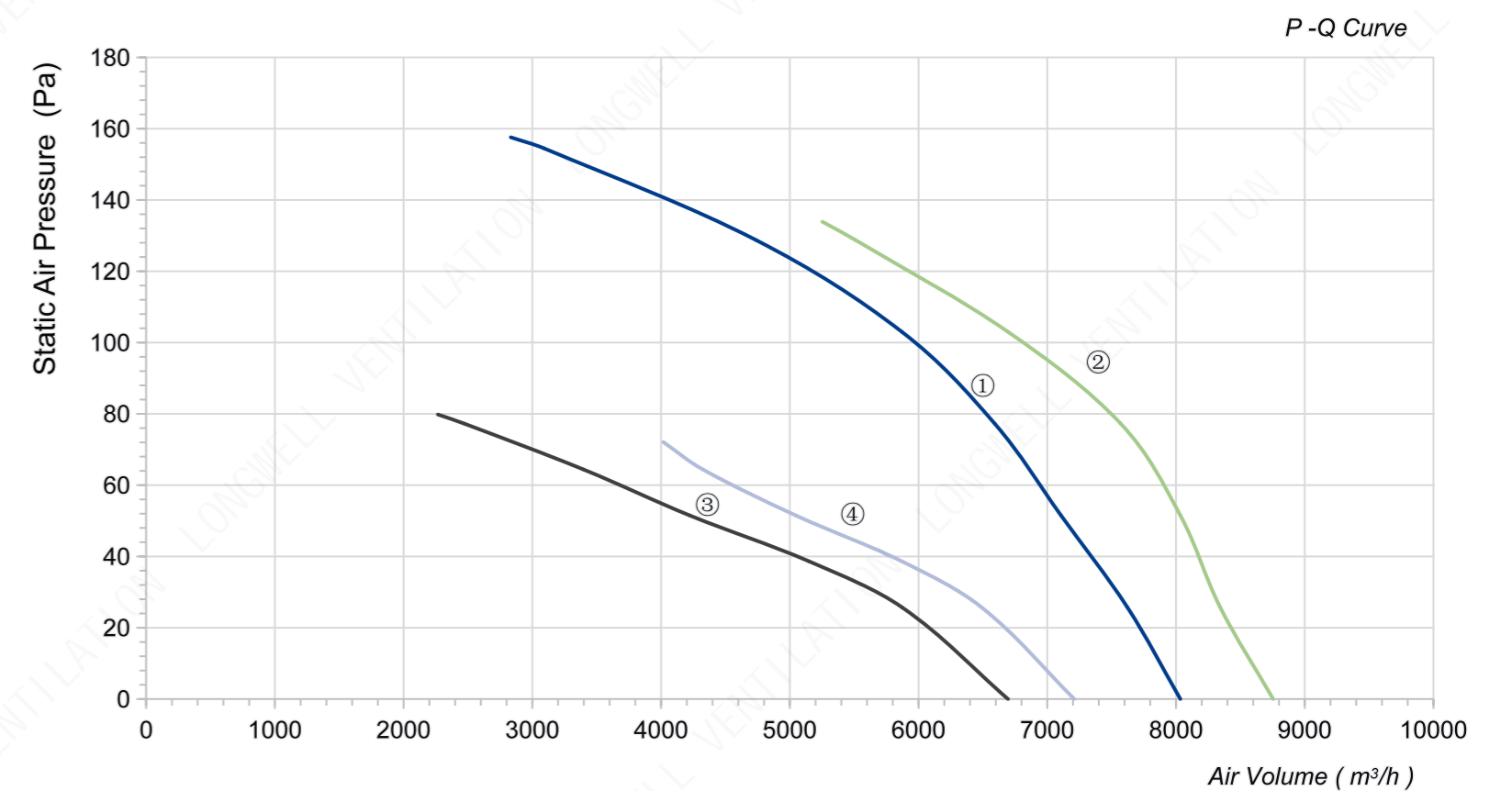
Technical Specifications

Model	Voltage (V)	Frequency (Hz)	Current (A)	Power (W)	Speed (RPM)	Air Volume (m³/h)	Capacitor (uF)	Noise [dB(A)]	Curve
LWAA4E550S-5MEB-01	220/230	50	2.5	550	1320	8034	12	73	①
LWAA4E550S-5MEB-02	220/230	60	3.3	725	1450	8755	12	74	②
LWAA4D550S-5MEB-03	380/400	50	1.1	550	1330	8034	/	73	①
LWAA4D550S-5MEB-04	380/400	60	1.4	725	1540	8755	/	74	②
LWAA6E550S-5MEB-05	220/230	50	1.2	320	900	6695	10	62	③
LWAA6E550S-5MEB-06	220/230	60	2.15	465	1060	7210	10	66	④
LWAA6D550S-5MEB-07	380/400	50	0.95	320	910	6695	/	62	③
LWAA6D550S-5MEB-08	380/400	60	1	440	1090	7210	/	66	④

Product Drawing (mm)



Flow Rate Curve



LWAA-550 Series

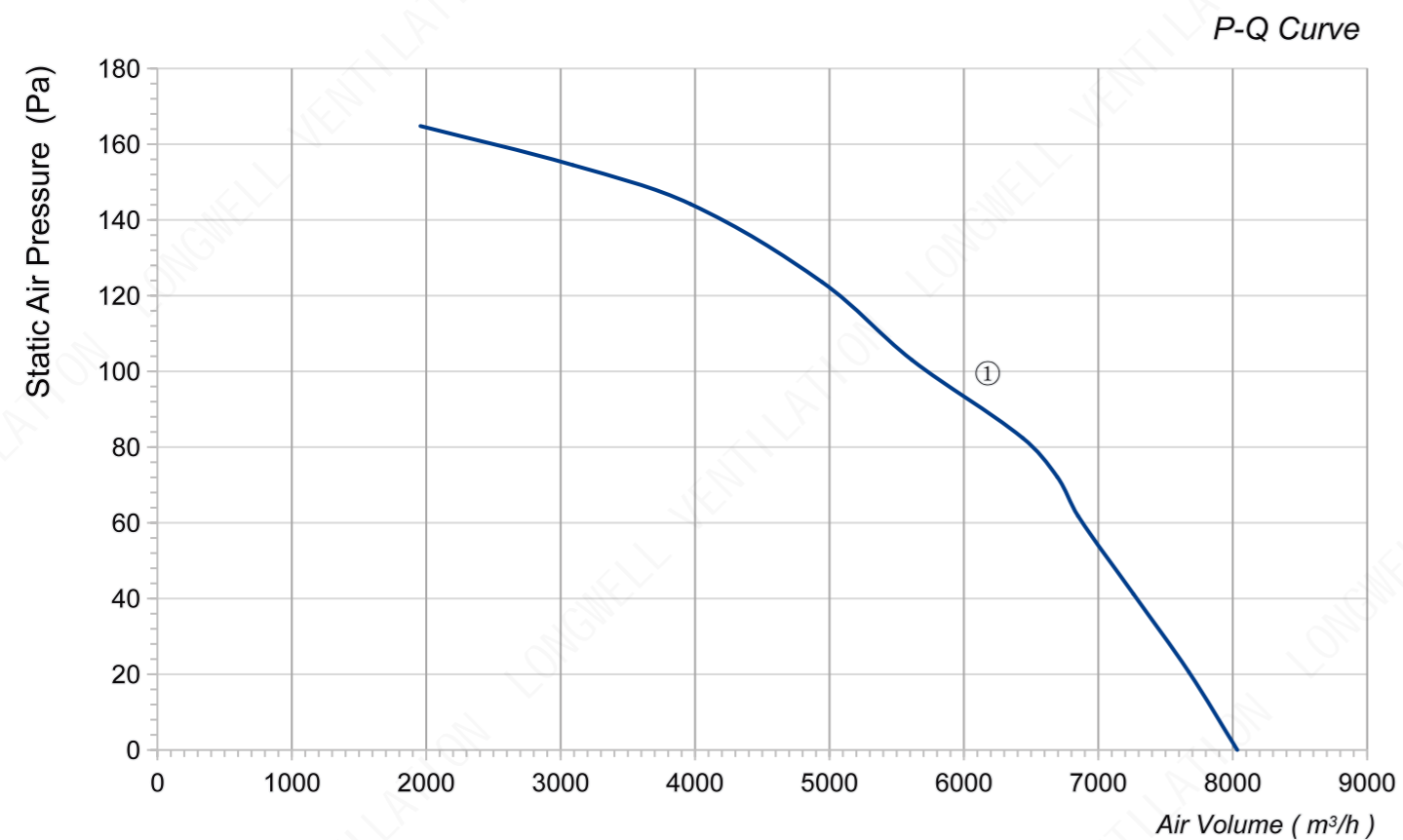
Product Characteristic

- Blades : Cold rolled steel
- Number of blades: 5
- Mode of operation: S1
- Type of protection: IP54
- Insulation class: F
- Operation Temperature: -40 C~+60 C

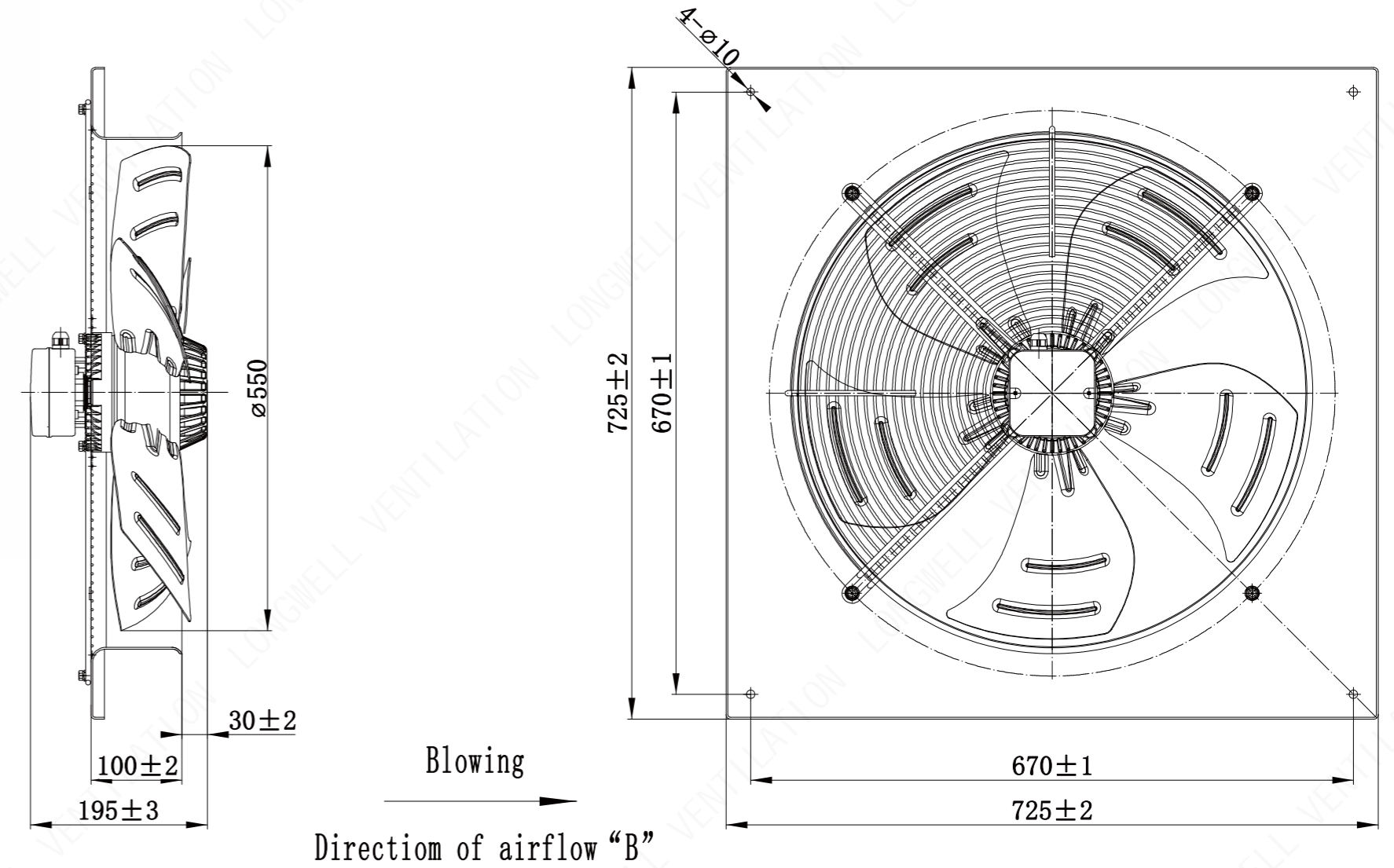


Technical Specifications

Model	Voltage (V)	Frequency (Hz)	Current (A)	Power (W)	Speed (RPM)	Air Volume (m³/h)	Capacitor (uF)	Noise [dB(A)]	Curve
LWAA4E550B-5MKB-09	220/230	50	2.5	550	1320	8034	12	73	①



Product Drawing (mm)



LWAA-550 Series

Product Characteristic

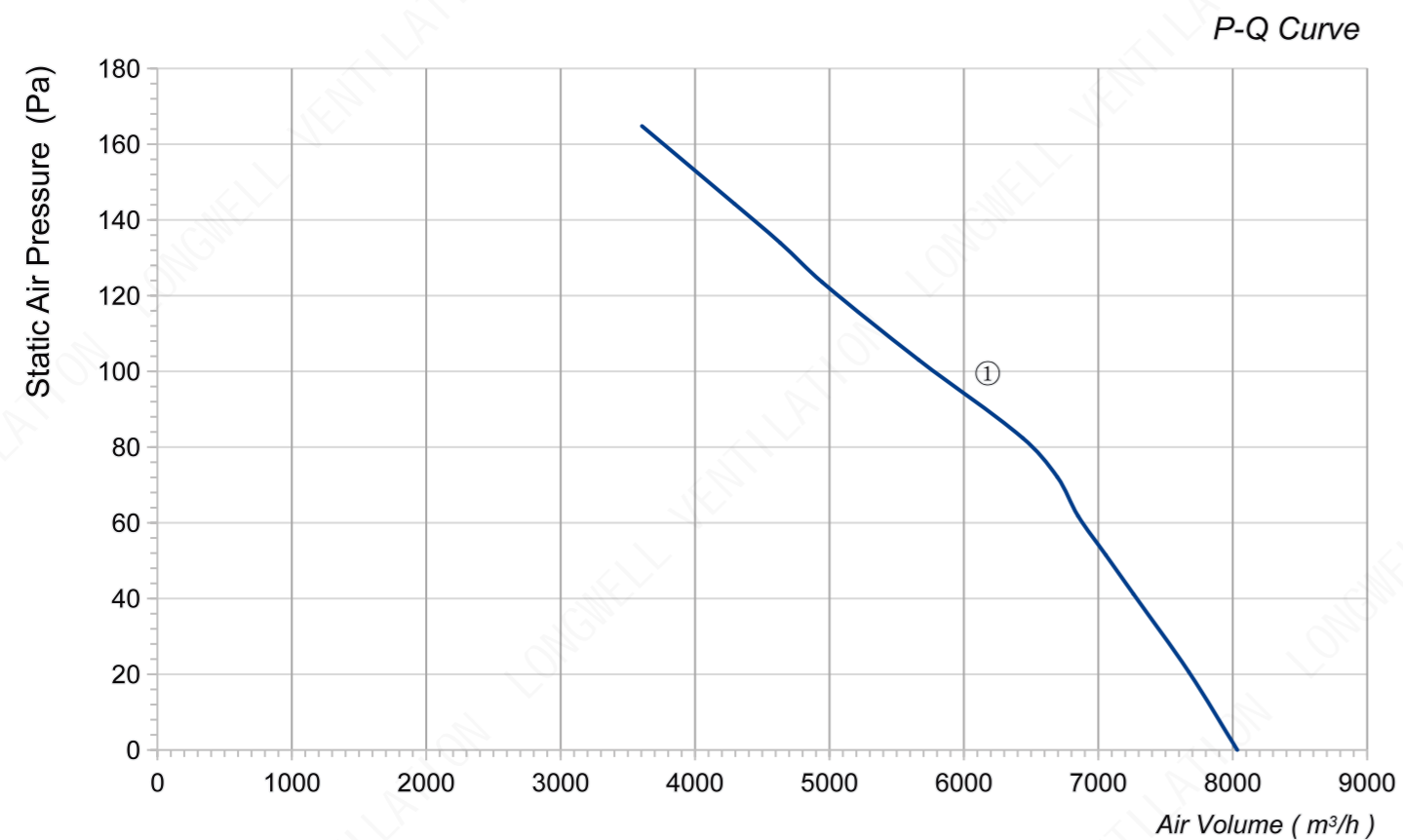
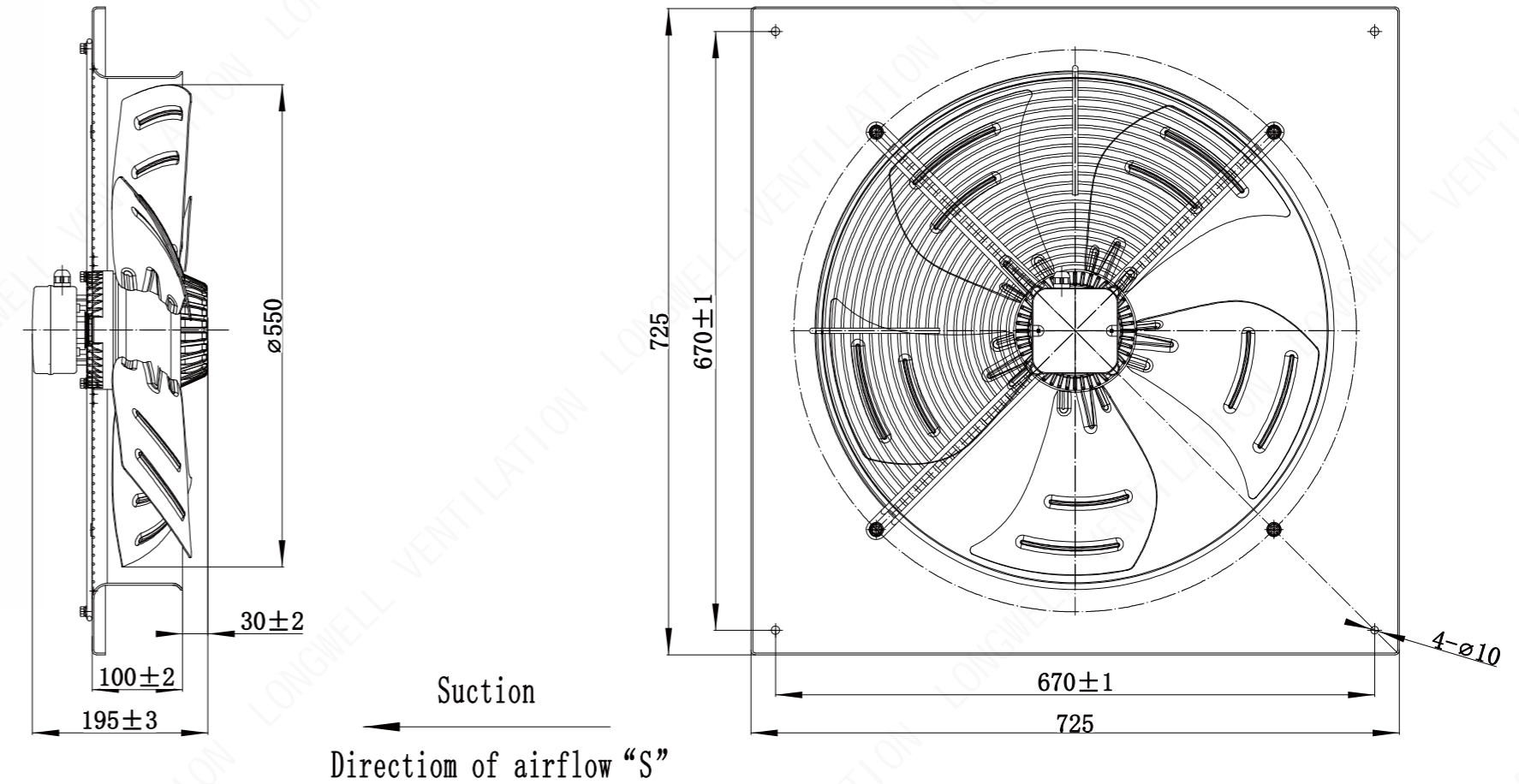
- Blades : Cold rolled steel
- Number of blades: 5
- Mode of operation: S1
- Type of protection: IP54
- Insulation class: F
- Operation Temperature: -30 C~+60 C



Technical Specifications

Model	Voltage (V)	Frequency (Hz)	Current (A)	Power (W)	Speed (RPM)	Air Volume (m³/h)	Capacitor (uF)	Noise [dB(A)]	Curve
LWAA4D550S-5MKB-10	380	50	1.1	550	1330	8034	/	73	①

Product Drawing (mm)



LWAA-600 Series

Product Characteristic

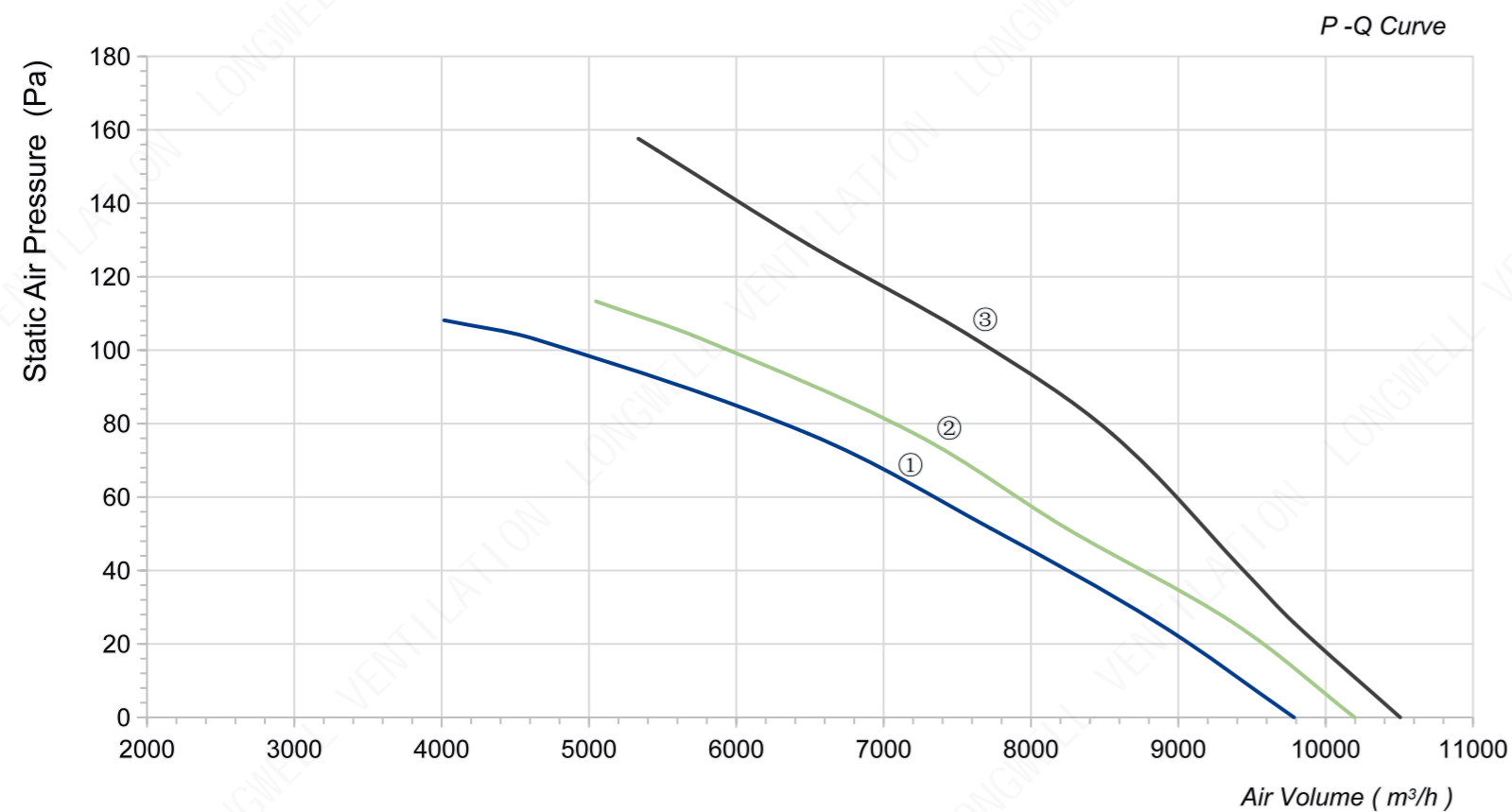
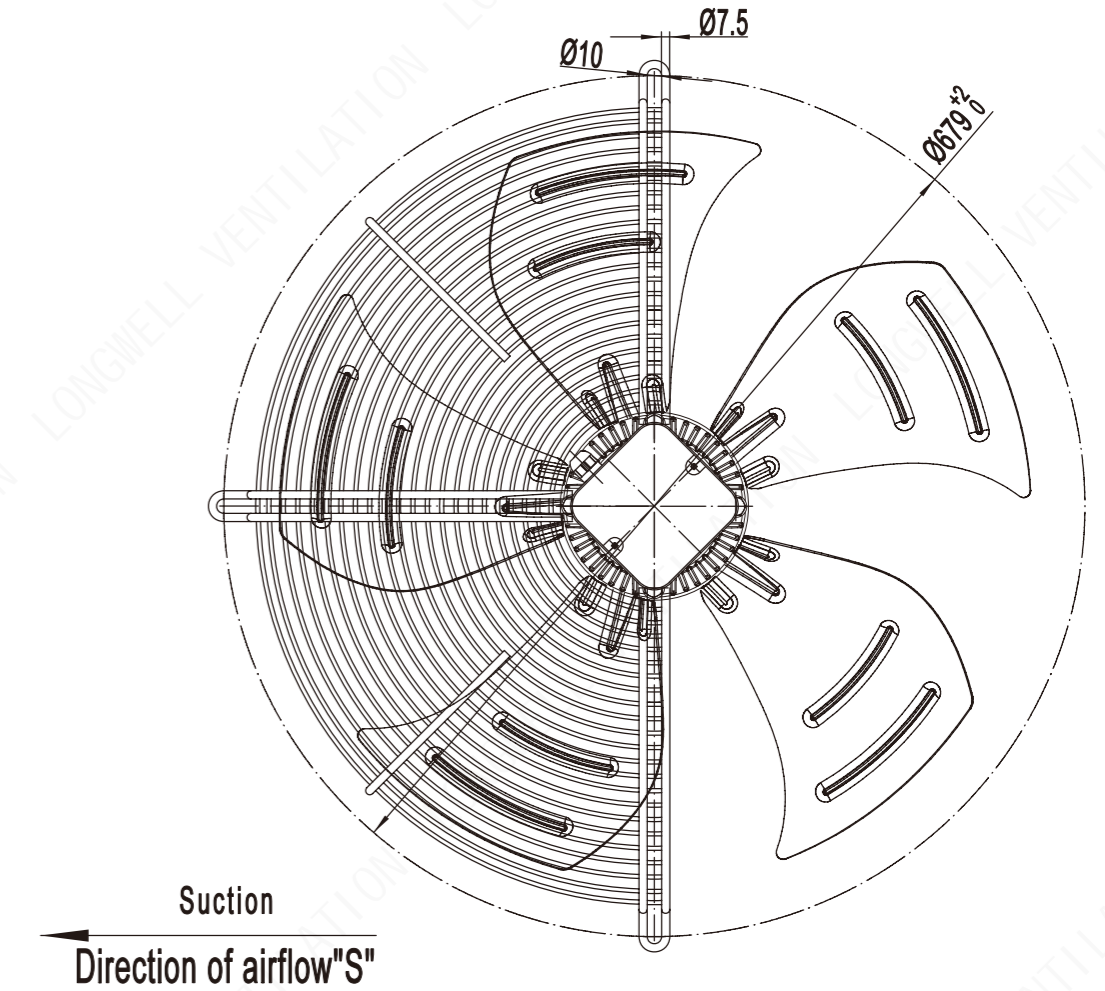
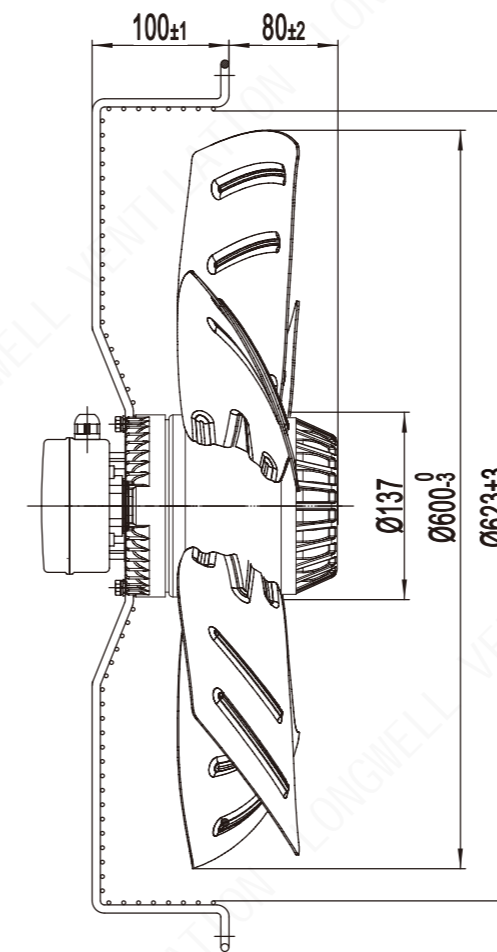
- Blades : Cold rolled steel
- Number of blades: 5
- Mode of operation: S1
- Type of protection: IP54
- Insulation class: F
- Operation Temperature: -30~+60 C



Technical Specifications

Model	Voltage (V)	Frequency (Hz)	Current (A)	Power (W)	Speed (RPM)	Air Volume (m³/h)	Capacitor (uF)	Noise [dB(A)]	Curve
LWAA4D600S-5MEB-01	380/400	50	1.5	800	1350	10506	/	73	③
LWAA6E600S-5MEB-02	220/230	50	2.4	500	910	9785	12	67	①
LWAA6E600S-5MEB-03	220/230	60	2.9	640	1080	10197	12	69	②
LWAA6D600S-5MEB-04	380/400	50	1.5	500	920	9785	/	67	①
LWAA6D600S-5MEB-05	380/400	60	1.5	650	1070	10197	/	69	②

Product Drawing (mm)



LWAA-600 Series

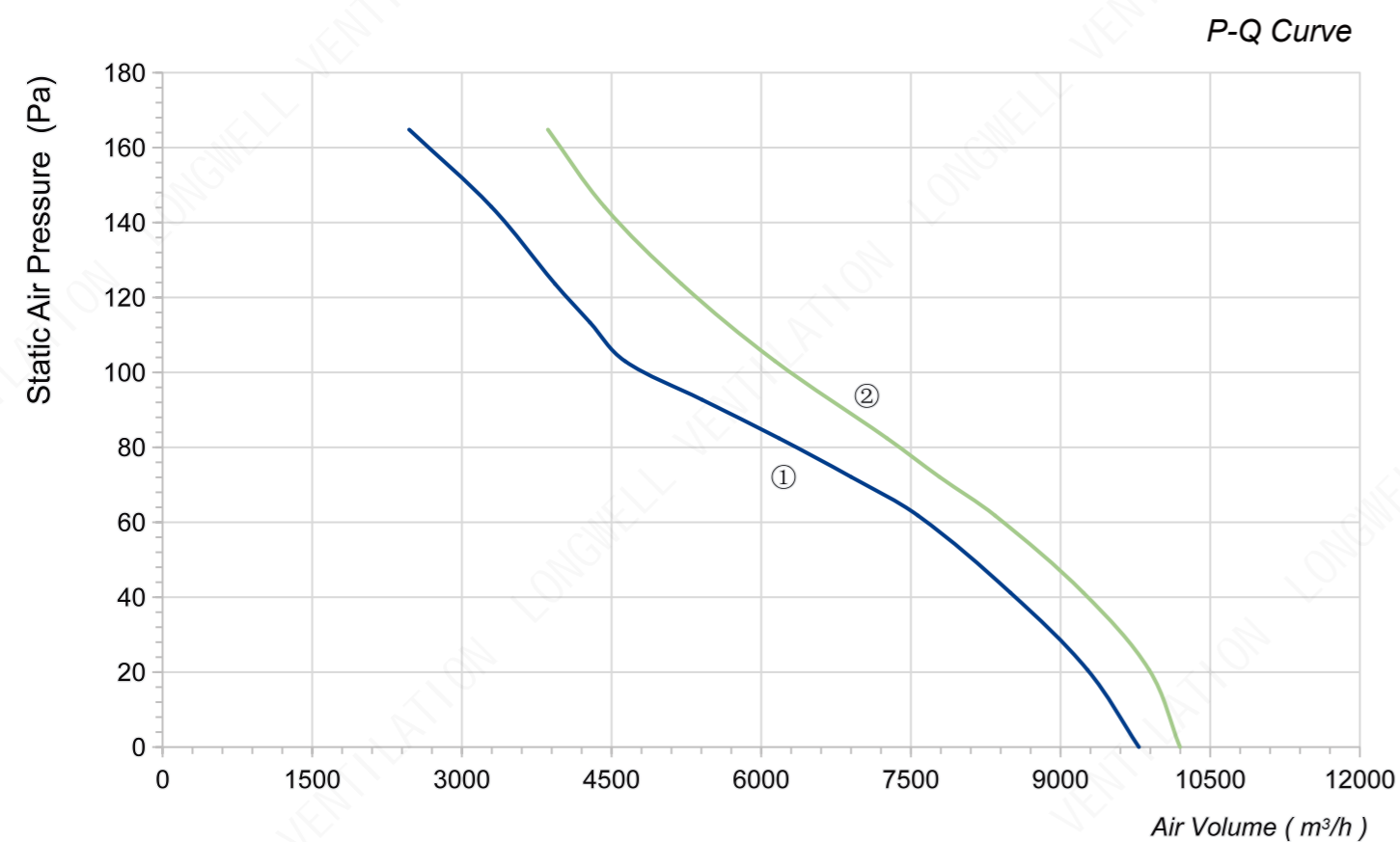
Product Characteristic

- Blades : Cold rolled steel
- Number of blades: 5
- Mode of operation: S1
- Type of protection: IP54
- Insulation class: F
- Operation Temperature: -30 C~+60 C

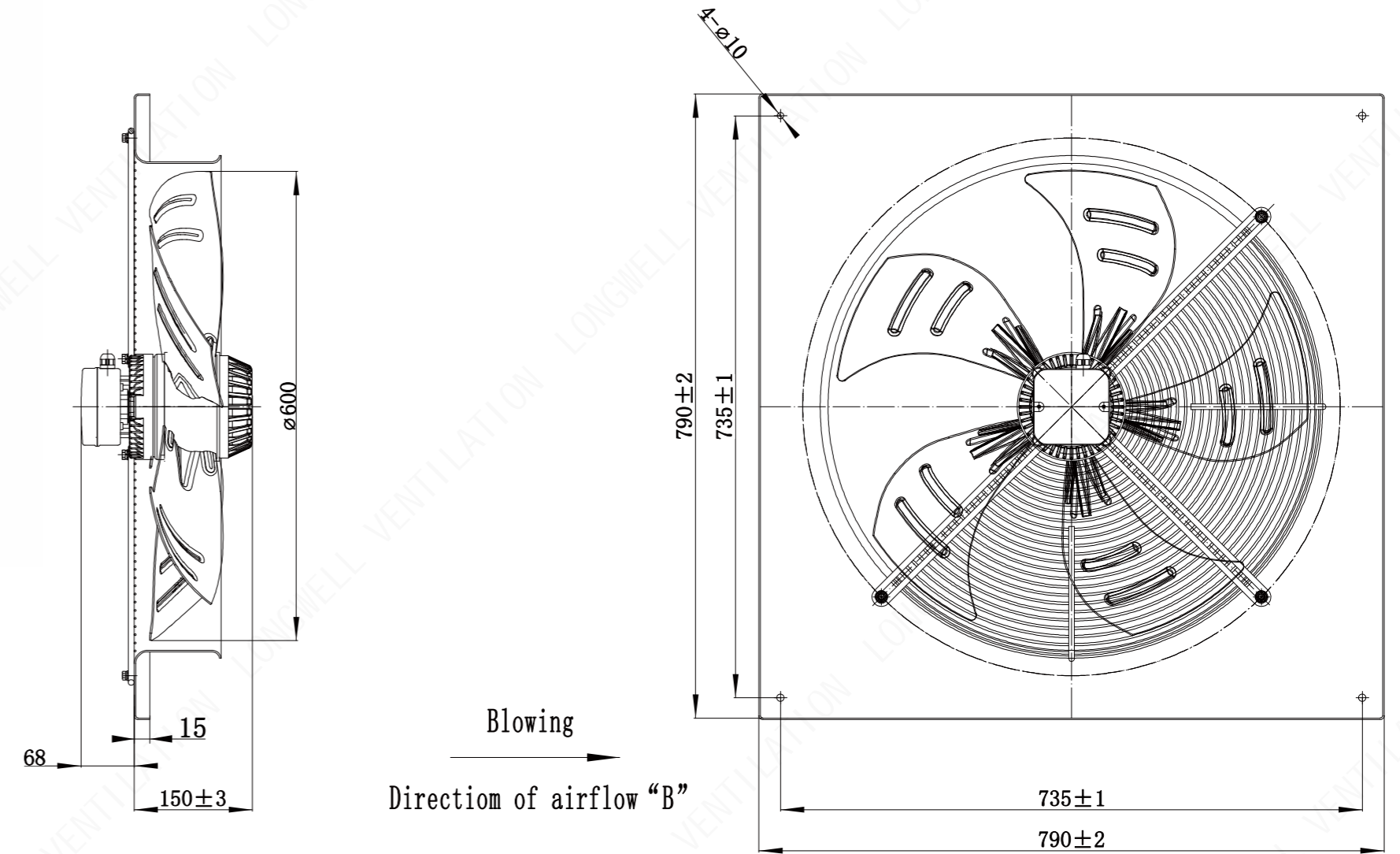


Technical Specifications

Model	Voltage (V)	Frequency (Hz)	Current (A)	Power (W)	Speed (RPM)	Air Volume (m³/h)	Capacitor (uF)	Noise [dB(A)]	Curve
LWAA6E600B-5MKB-07	220/230	50	2.4	500	910	9785	12	67	①
LWAA6E600B-5MKB-08	220/230	60	2.9	640	1080	10197	12	69	②



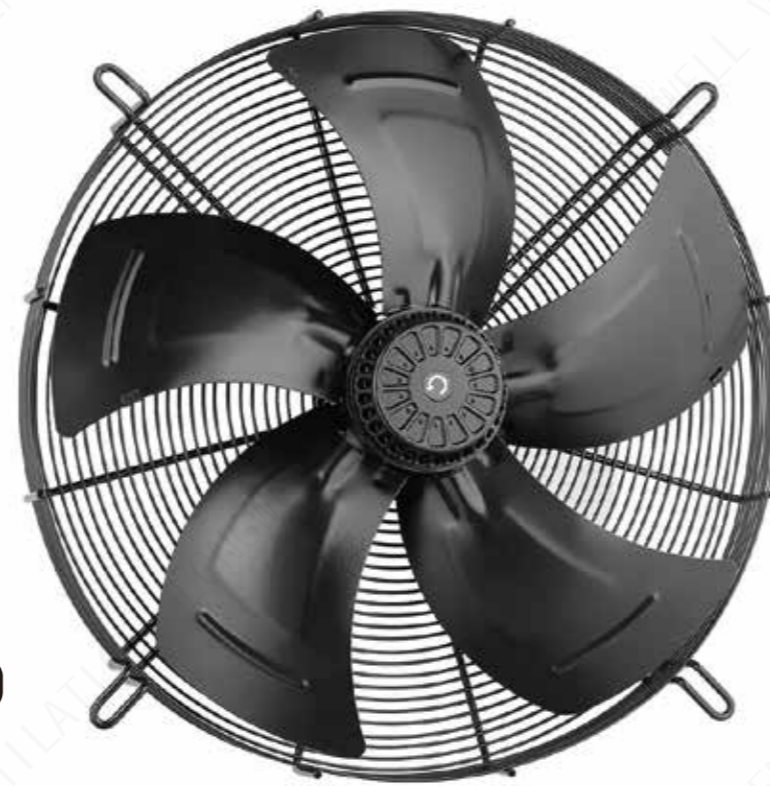
Product Drawing (mm)



LWAA-630 Series

Product Characteristic

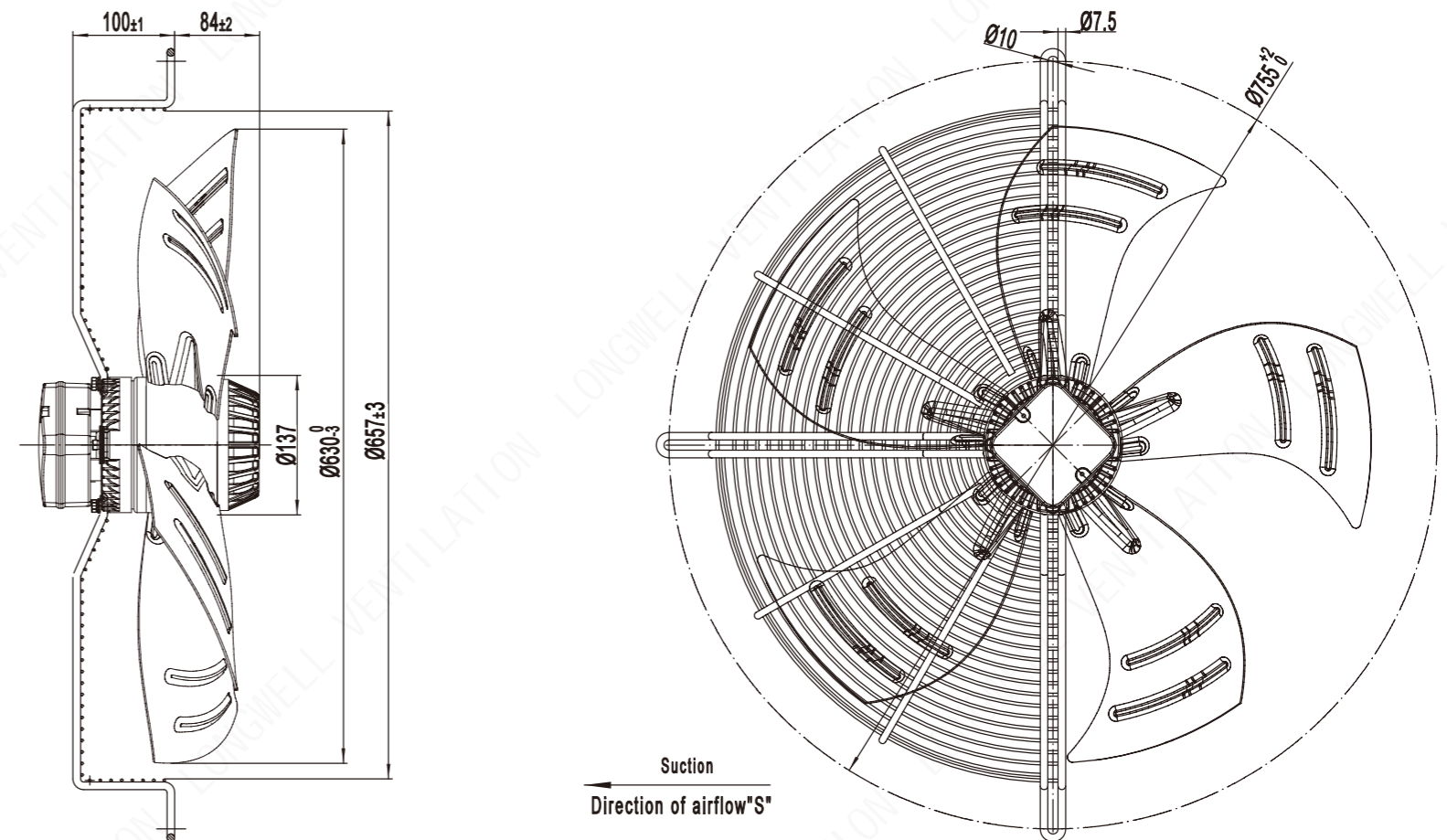
- Blades : Cold rolled steel
- Number of blades: 5
- Mode of operation: S1
- Type of protection: IP54
- Insulation class: F
- Operation Temperature: -30~+60 C



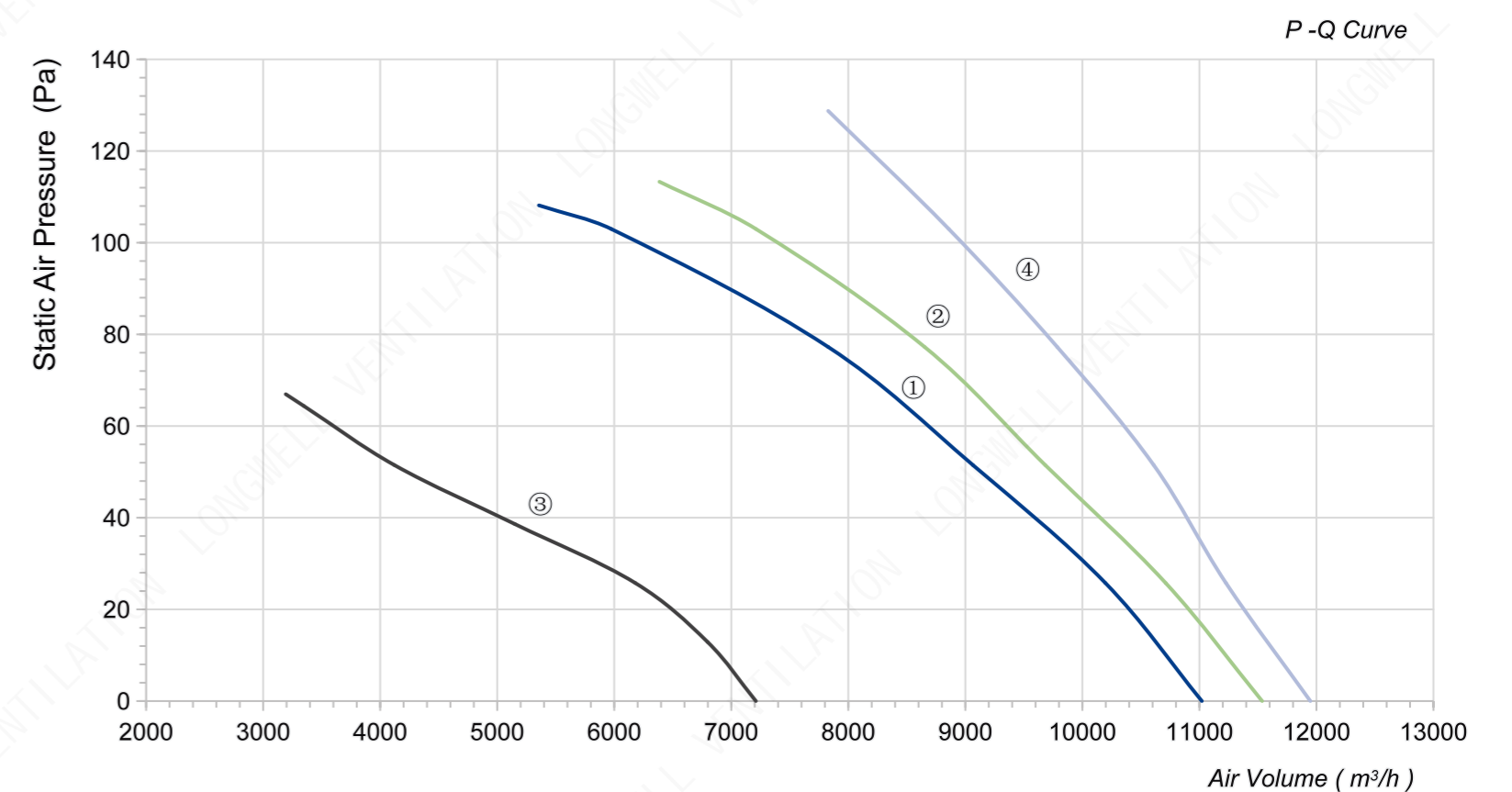
Technical Specifications

Model	Voltage (V)	Frequency (Hz)	Current (A)	Power (W)	Speed (RPM)	Air Volume (m³/h)	Capacitor (uF)	Noise [dB(A)]	Curve
LWAA4D630S-5MEB-01	380/400	50	1.6	800	1350	11948	/	75	④
LWAA6E630S-5MEB-02	220/230	50	2.5	520	900	11021	12	67	①
LWAA6E630S-5MEB-03	220/230	60	3.25	705	1050	11536	12	69	②
LWAA6D630S-5MEB-04	380/400	50	1.4	520	900	11021	/	67	①
LWAA6D630S-5MEB-05	380/400	60	1.56	740	1060	11536	/	69	②
LWAA8E630S-5MEB-06	220/230	50	1.3	250	680	7210	6	60	③
LWAA8D630S-5MEB-07	380/400	50	0.7	250	680	7210	/	60	③

Product Drawing (mm)



Flow Rate Curve



LWAA-630 Series

Product Characteristic

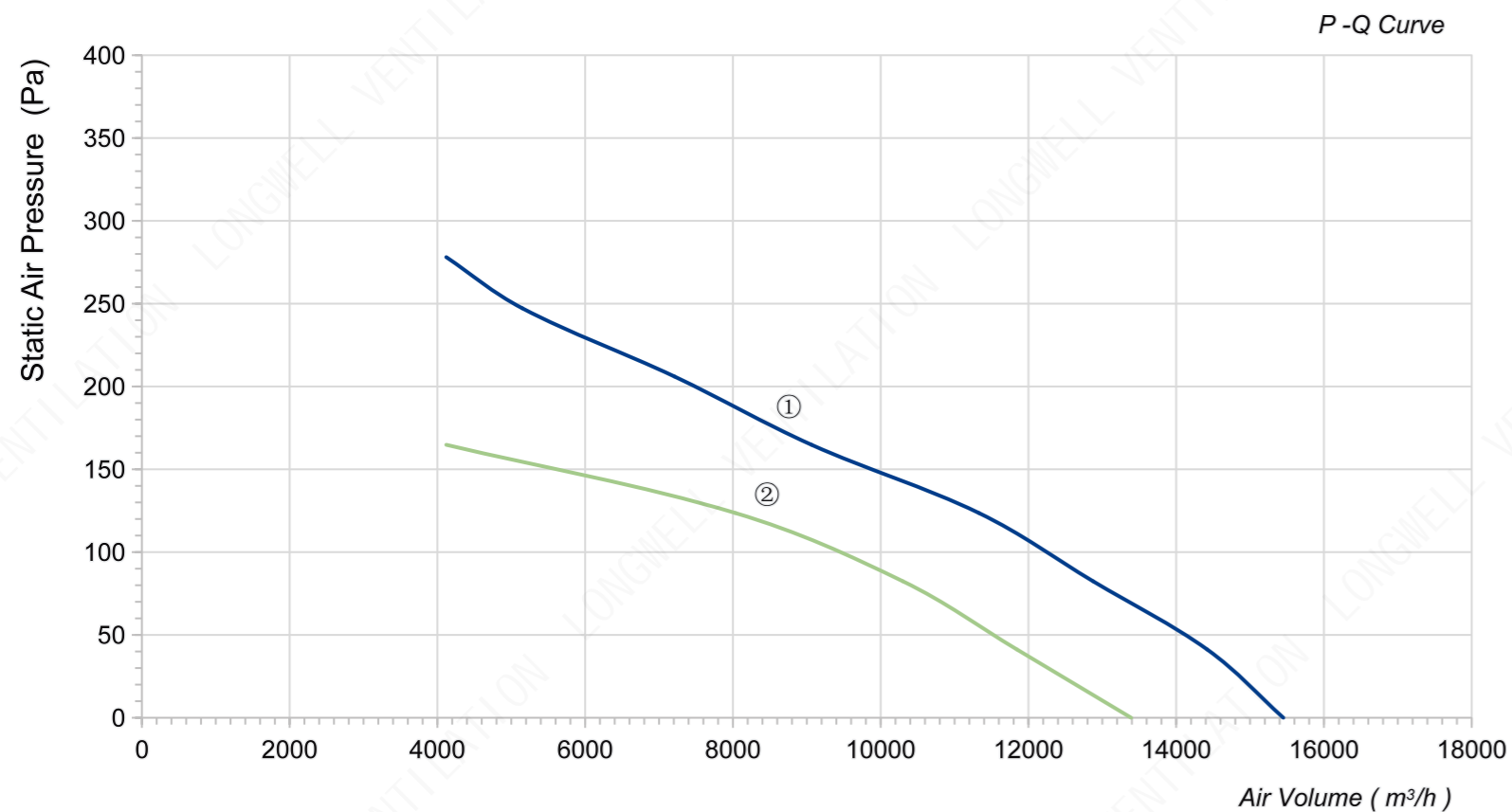
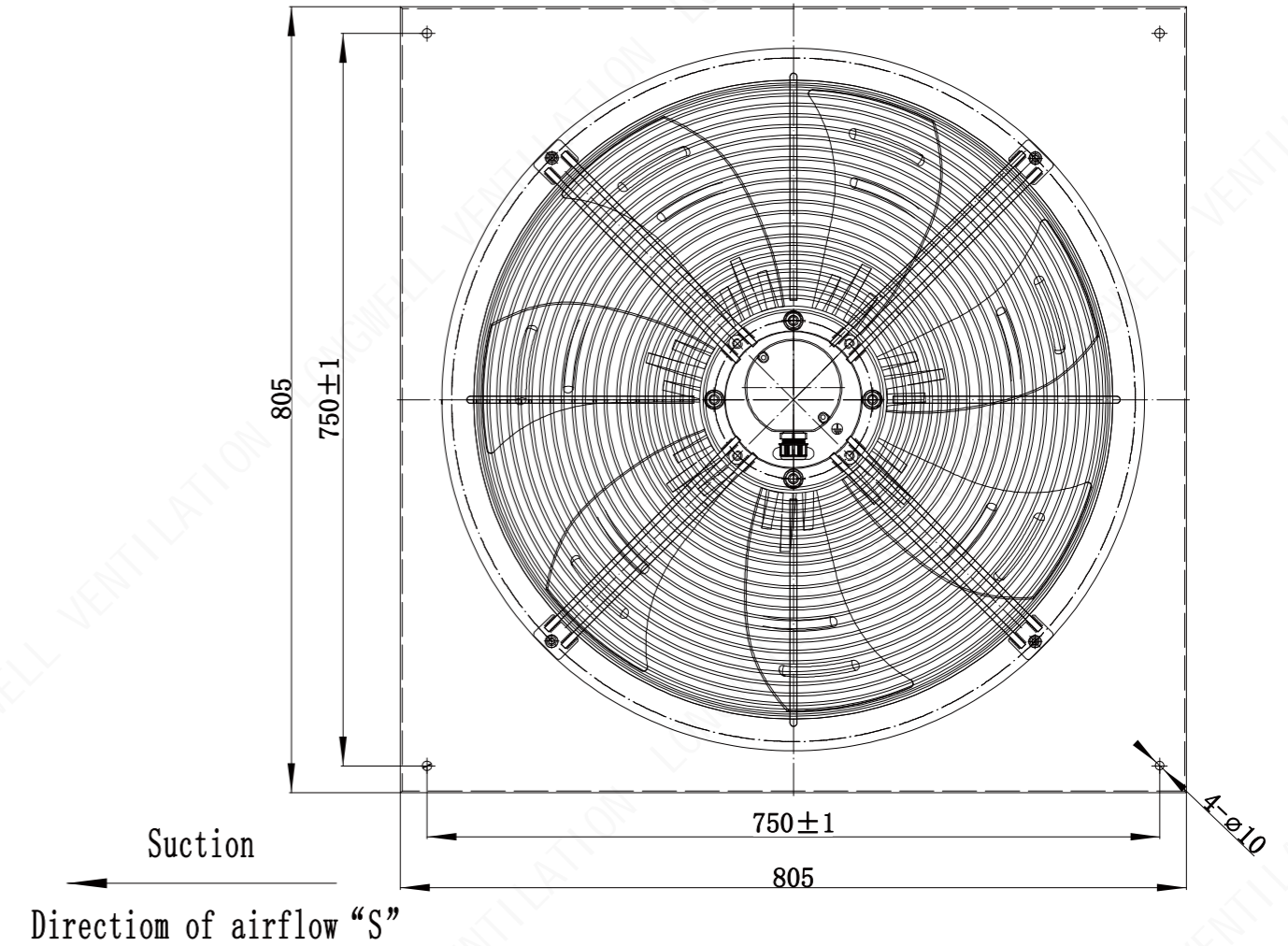
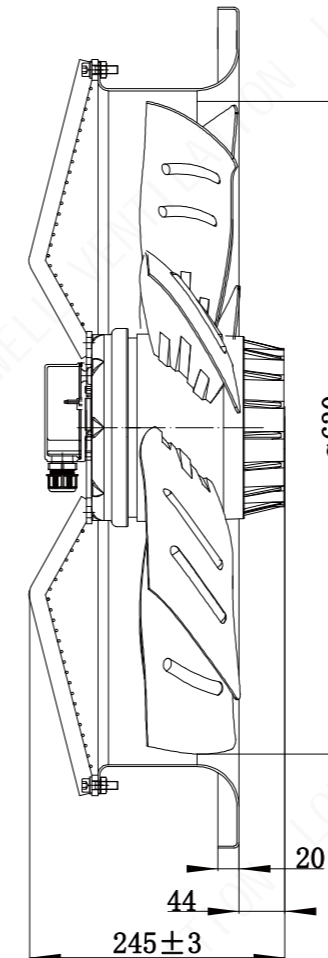
- Blades : Cold rolled steel
- Number of blades: 7
- Mode of operation: S1
- Type of protection: IP54
- Insulation class: F
- Operation Temperature: -30~+60 C



Technical Specifications

Model	Voltage (V)	Frequency (Hz)	Current (A)	Power (W)	Speed (RPM)	Air Volume (m³/h)	Capacitor (uF)	Noise [dB(A)]	Curve
LWAA4D630S-7MKB-08	380/400	50	3	1550	1400	15450	/	76	①
	380/400	50	2	1250	1150	13390	/	74	②

Product Drawing (mm)



LWAA-630 Series

Product Characteristic

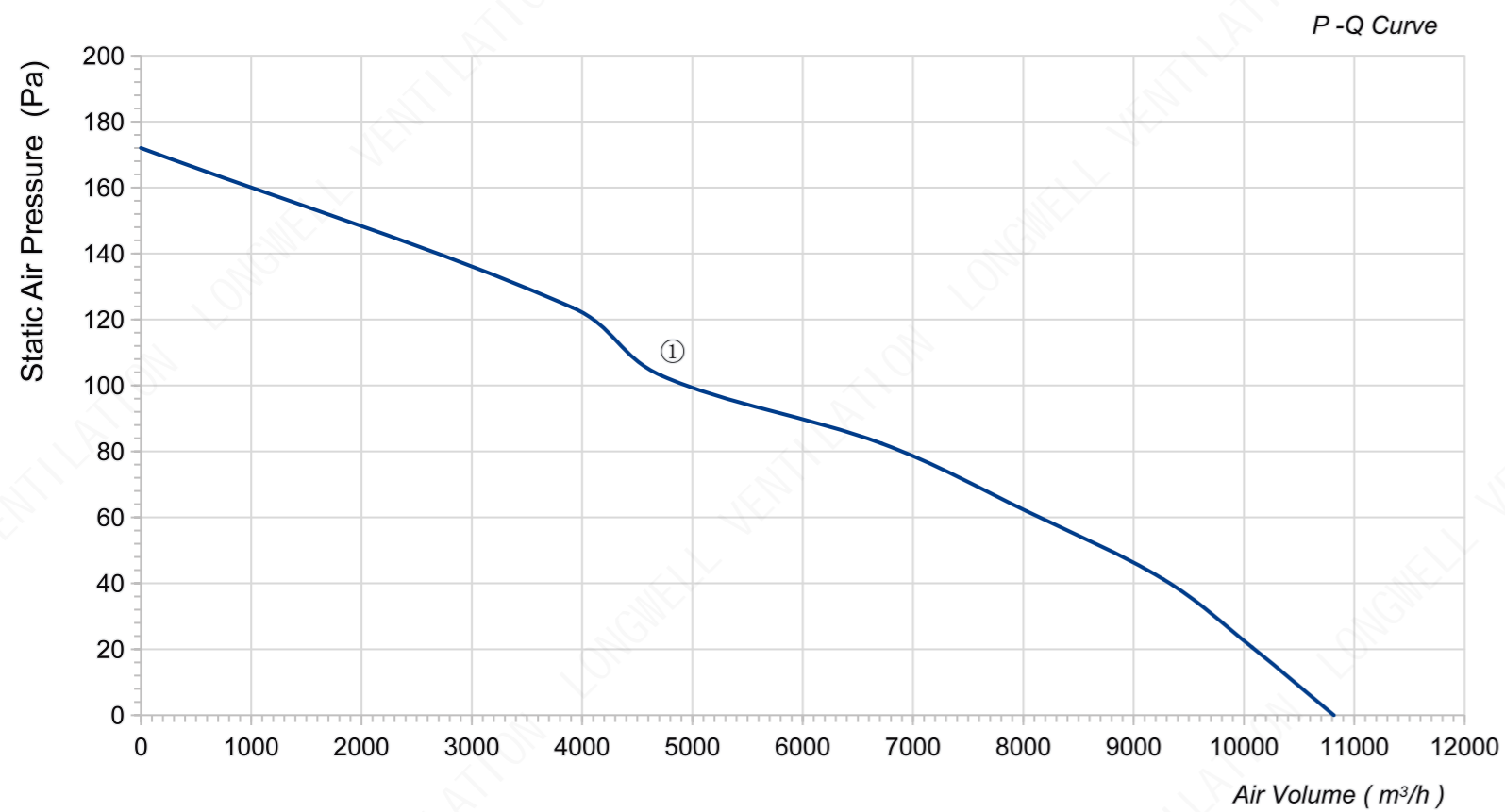
- Blades : Cold rolled steel
- Number of blades: 4
- Mode of operation: S1
- Type of protection: IP54
- Insulation class: F
- Operation Temperature: -30~+60 C



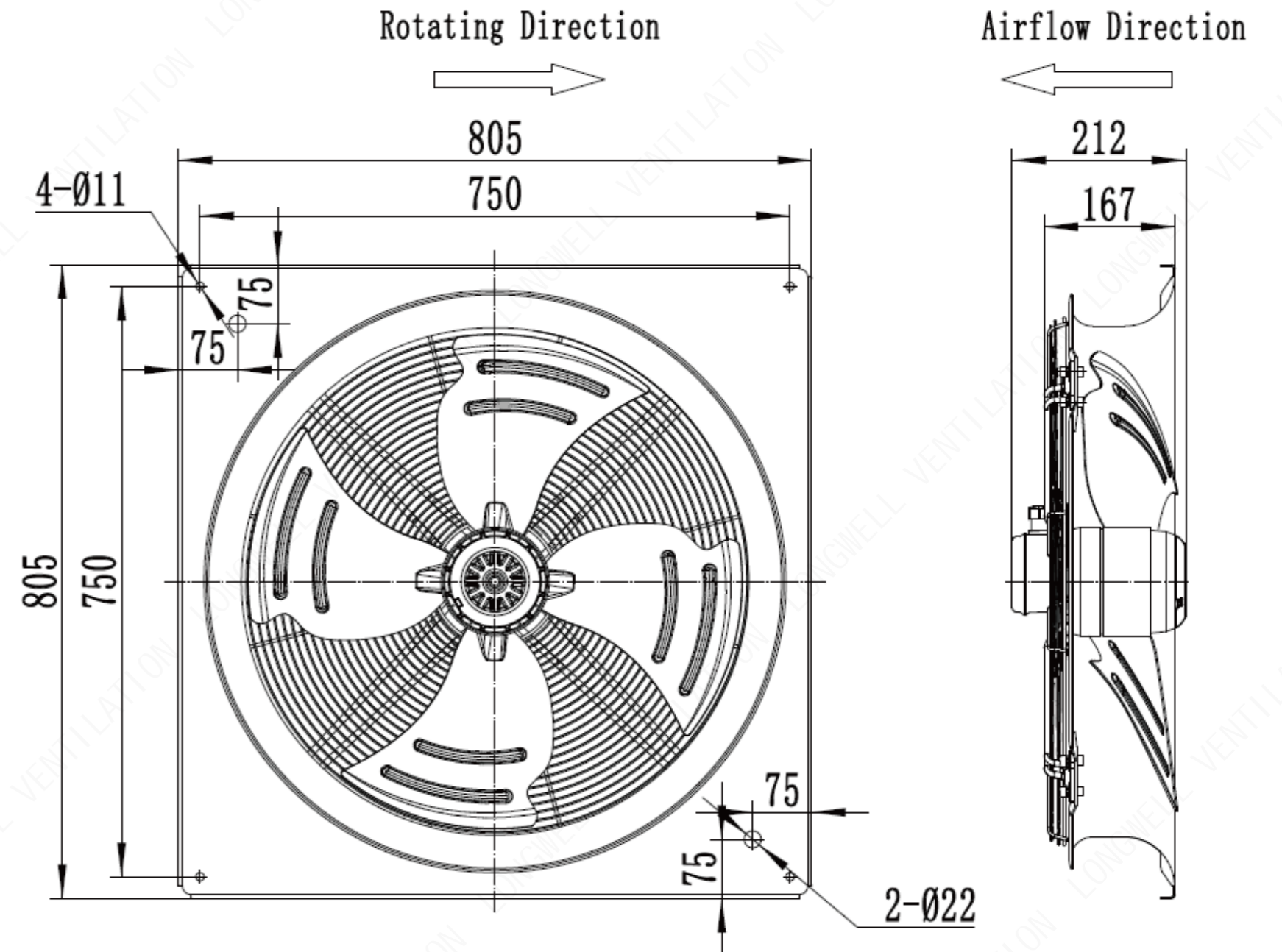
RECOMMEND

Technical Specifications

Model	Voltage (V)	Frequency (Hz)	Current (A)	Power (W)	Speed (RPM)	Air Volume (m³/h)	Capacitor (uF)	Noise [dB(A)]	Curve
LWAA6E630S-4MKB-09	230	50	2	450	925	10815	12	68	①



Product Drawing (mm)



LWAA-630 Series

Product Characteristic

- Blades : Cold rolled steel
- Number of blades: 4
- Mode of operation: S1
- Type of protection: IP54
- Insulation class: F
- Operation Temperature: -30~+60 C

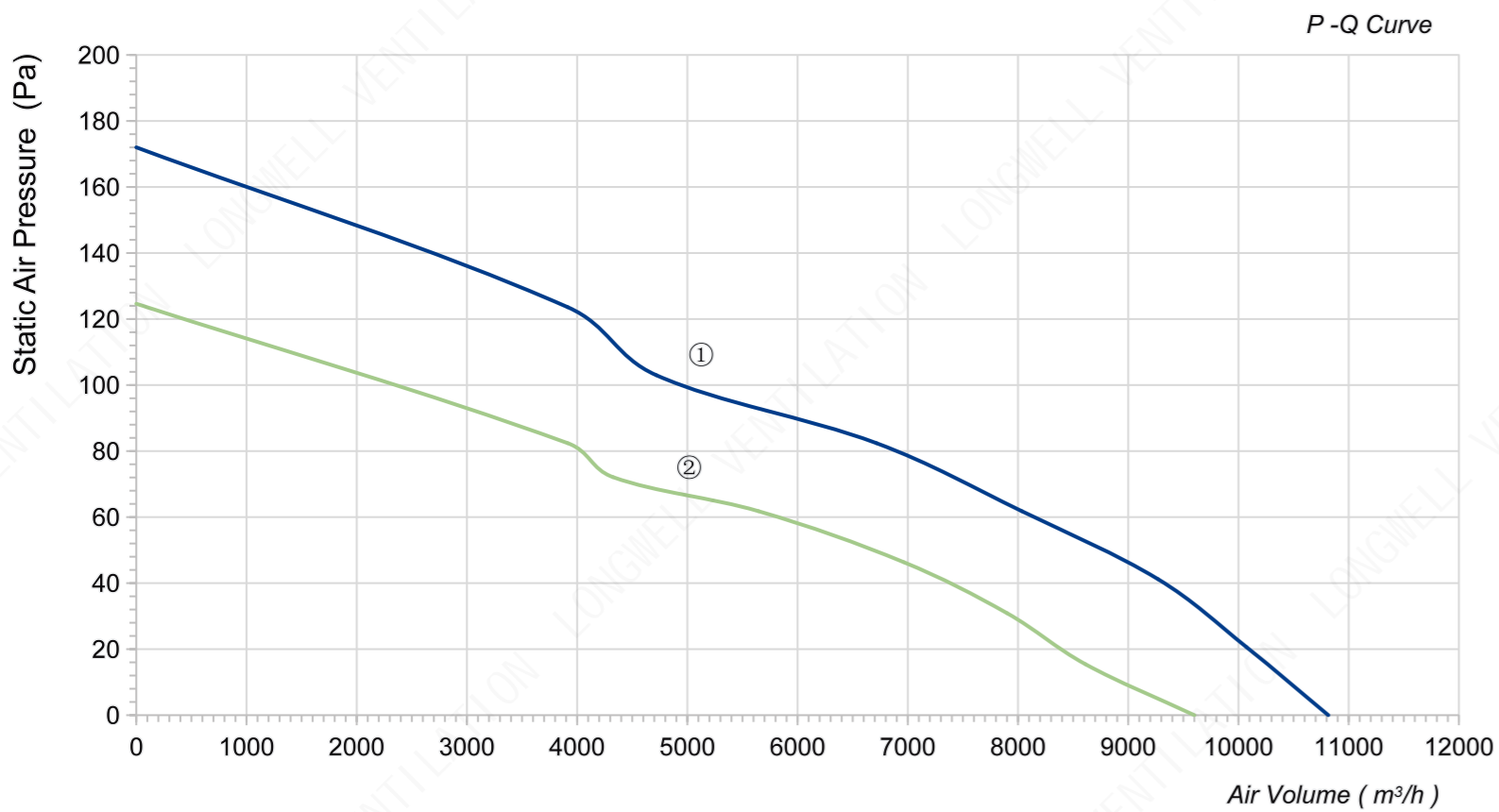


RECOMMEND

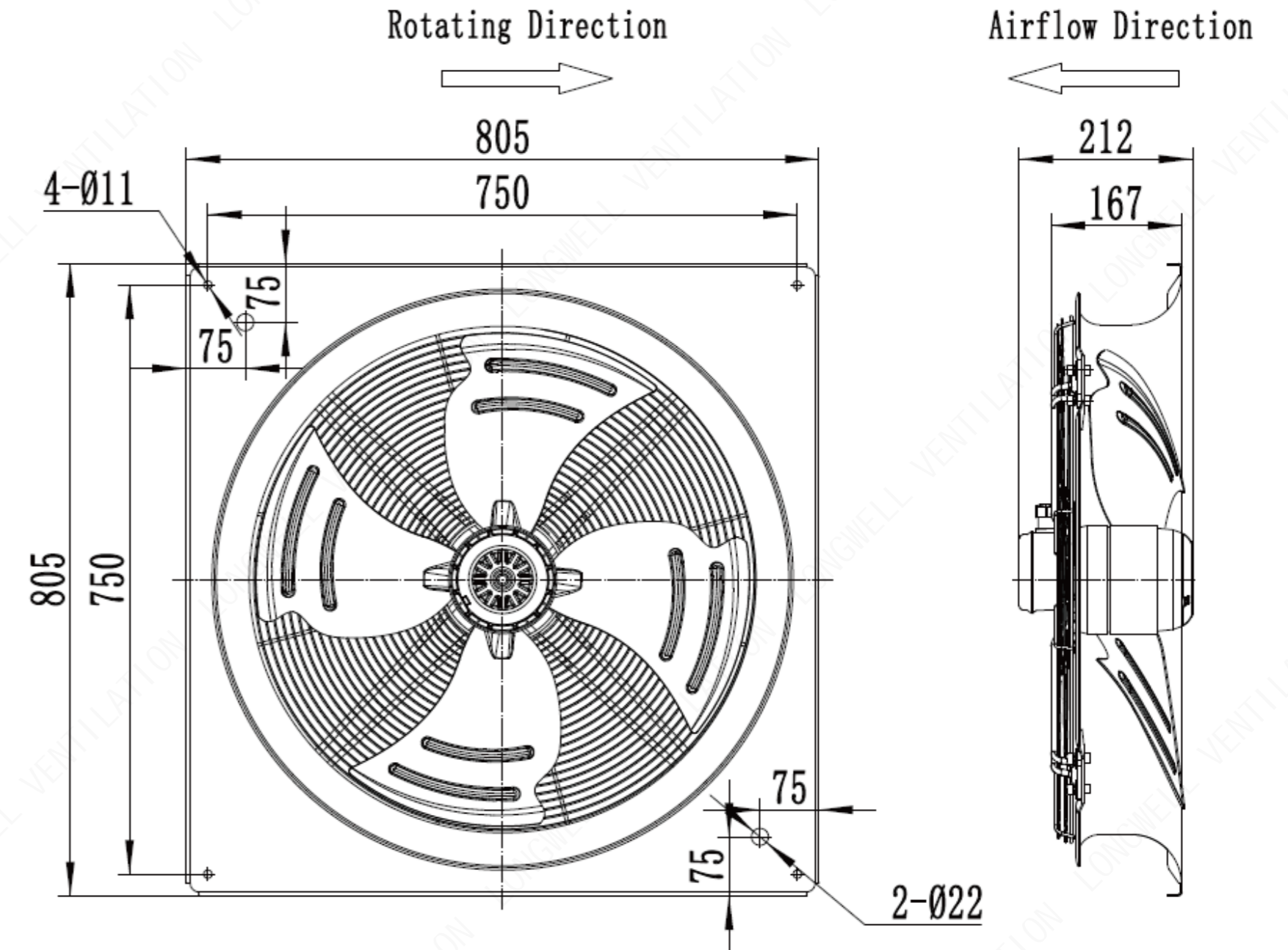


Technical Specifications

Model	Voltage (V)	Frequency (Hz)	Current (A)	Power (W)	Speed (RPM)	Air Volume (m³/h)	Capacitor (uF)	Noise [dB(A)]	Curve
LWAA6D630S-4MKB-10	380(▲)	50	1.2	450	925	10815	/	68	①
	380(Y)	50	0.6	330	800	9600	/	64.5	②



Product Drawing (mm)



LWAA-630 Series

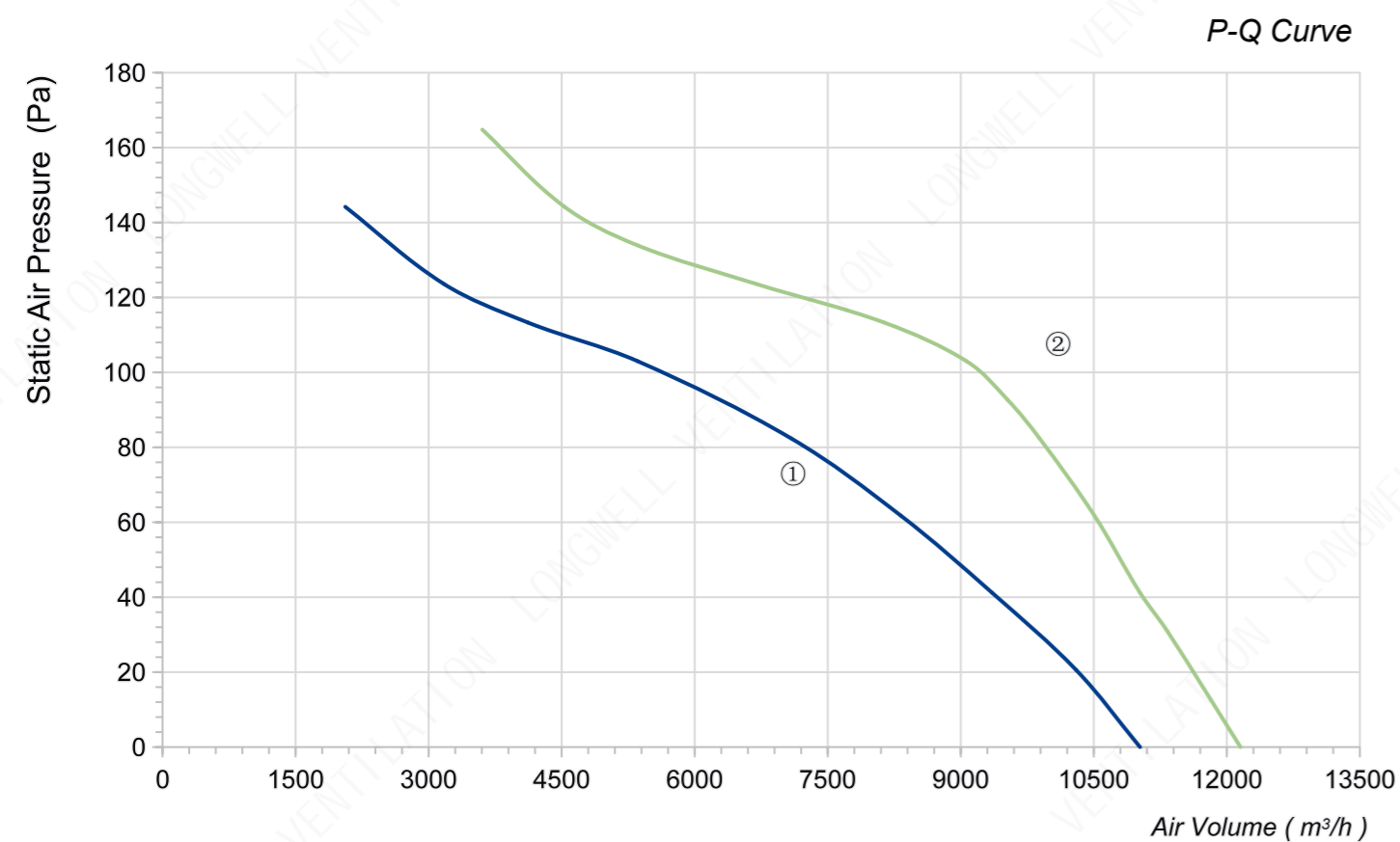
Product Characteristic

- Blades : Cold rolled steel
- Number of blades: 7
- Mode of operation: S1
- Type of protection: IP54
- Insulation class: F
- Operation Temperature: -30 C~+60 C

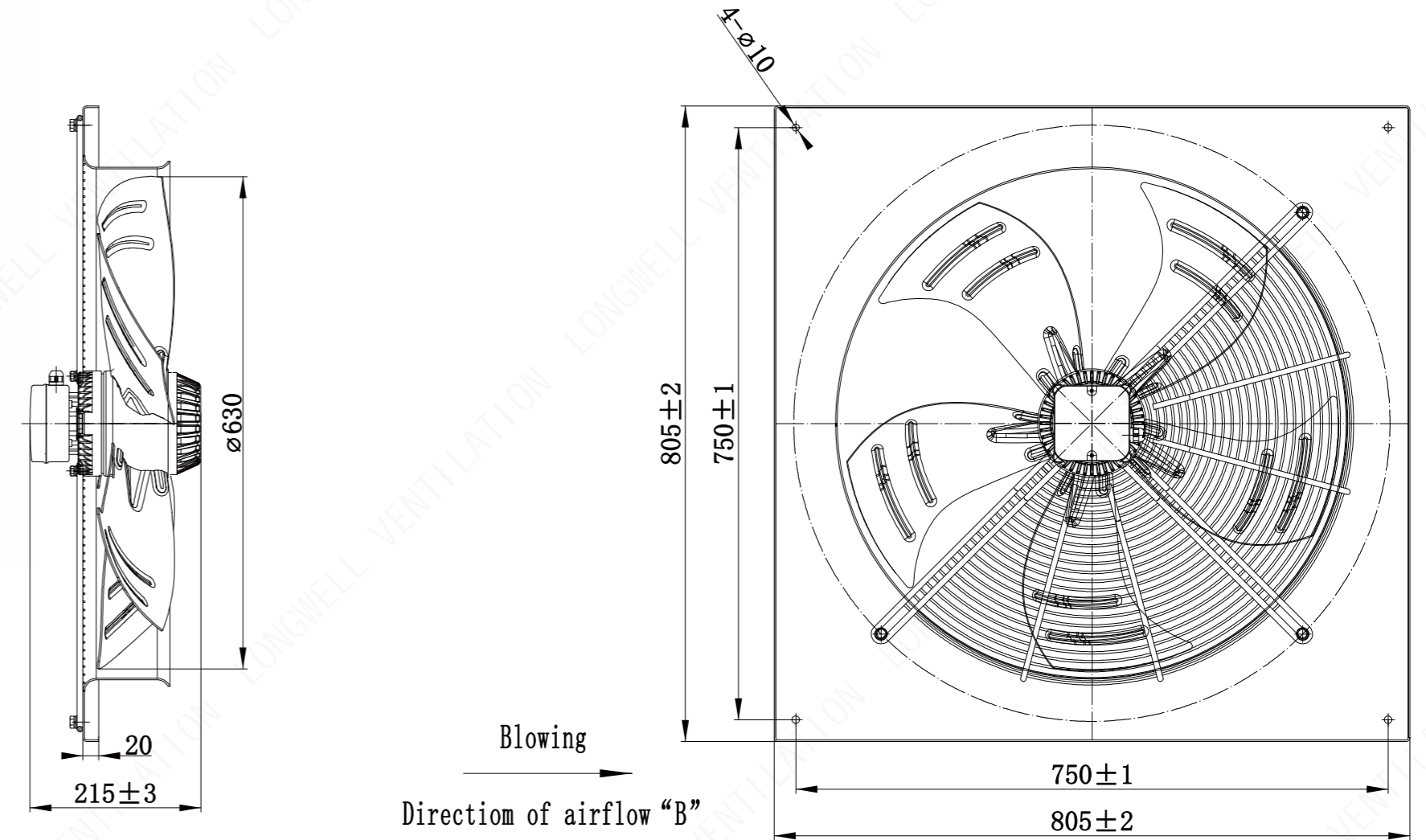


Technical Specifications

Model	Voltage (V)	Frequency (Hz)	Current (A)	Power (W)	Speed (RPM)	Air Volume (m³/h)	Capacitor (uF)	Noise [dB(A)]	Curve
LWAA6D630B-5MKB-12	380/400	50	1.4	520	900	11021	/	67	①
LWAA6D630B-5MKB-13	380/400	60	1.5	740	1050	12154	/	69	②



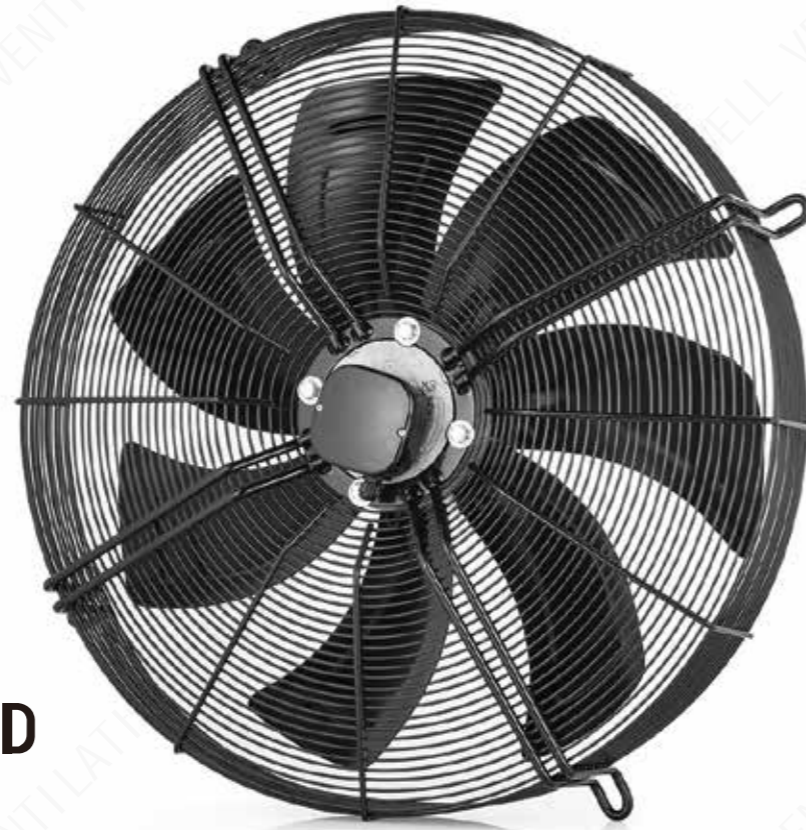
Product Drawing (mm)



LWAA-710 Series

Product Characteristic

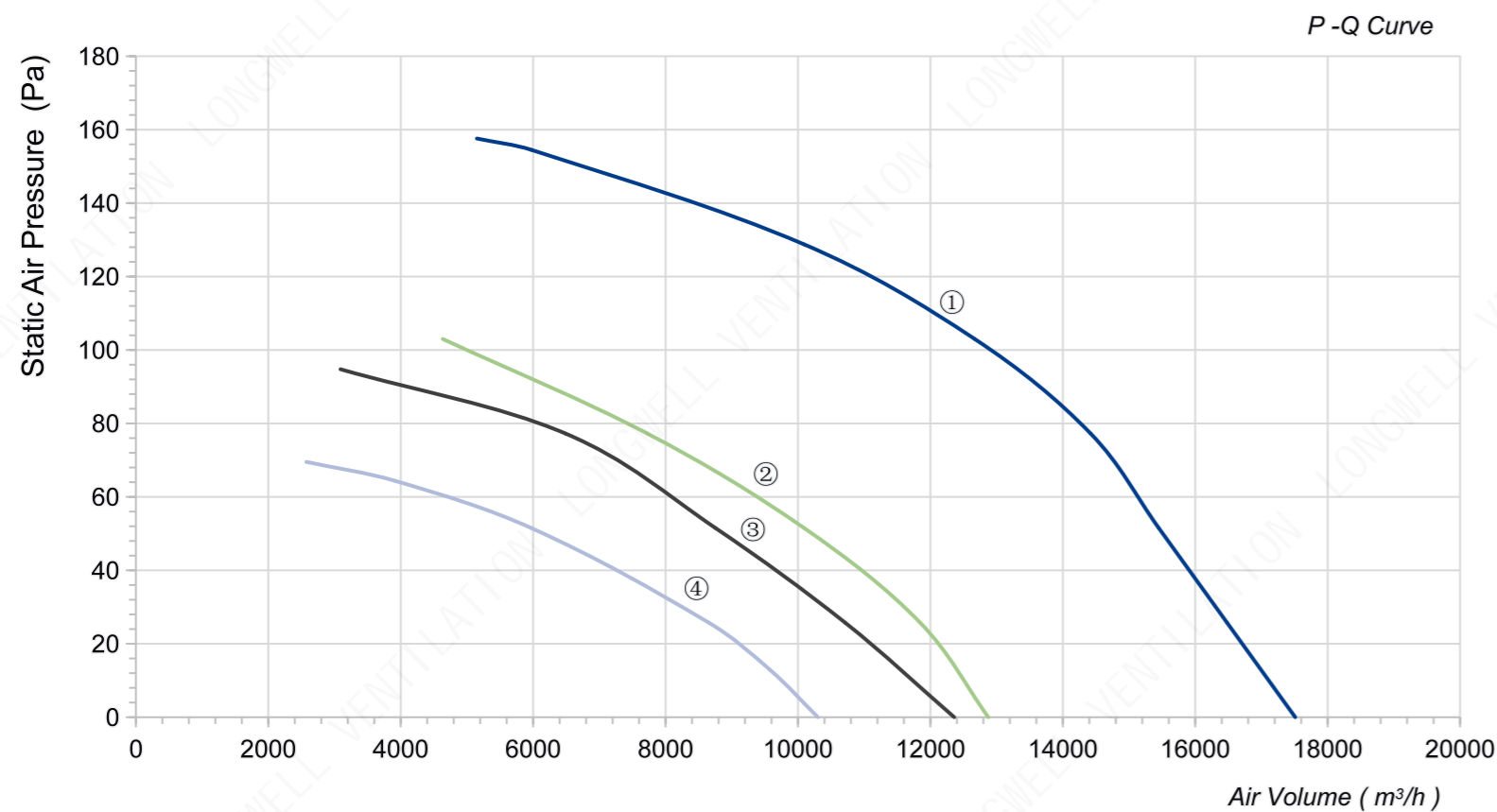
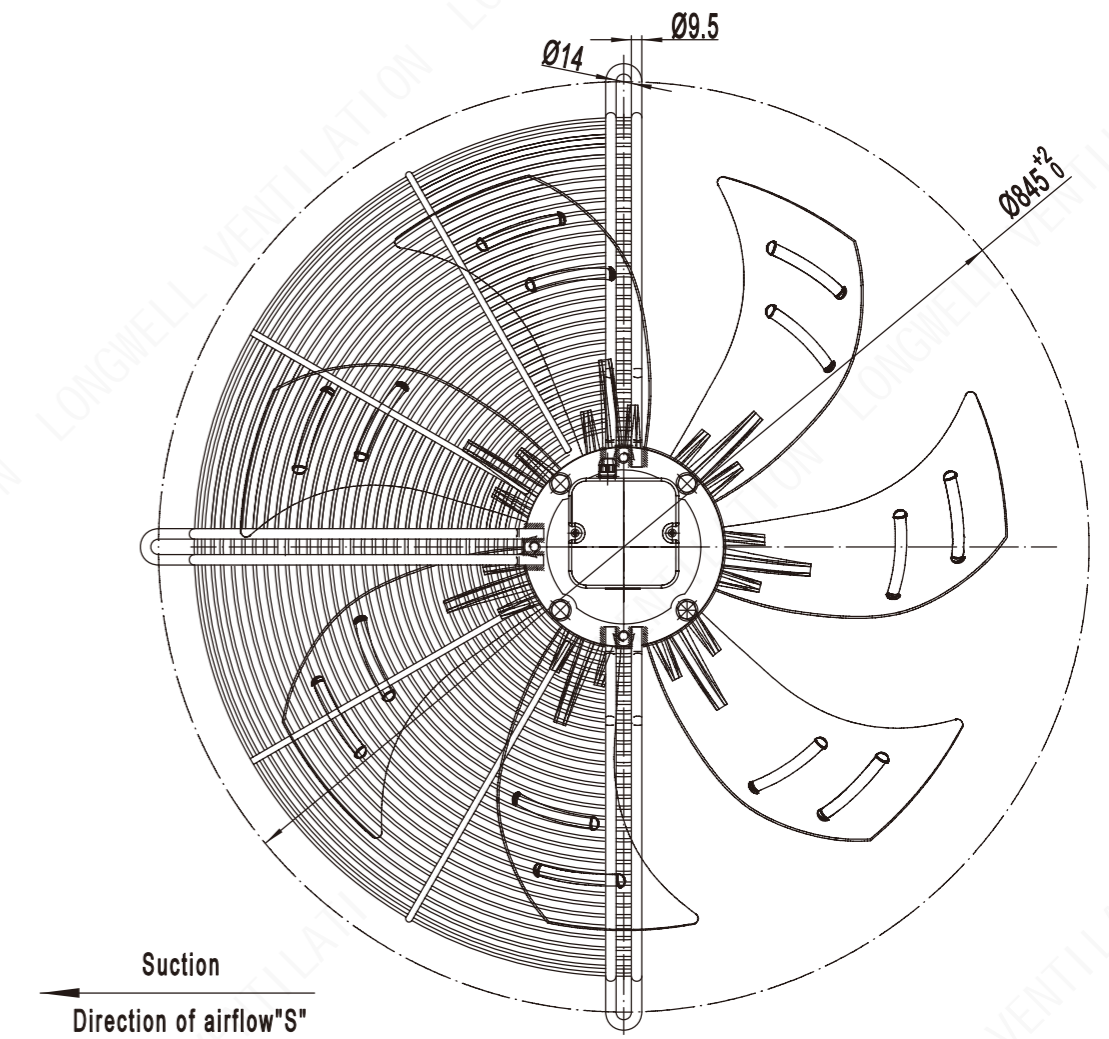
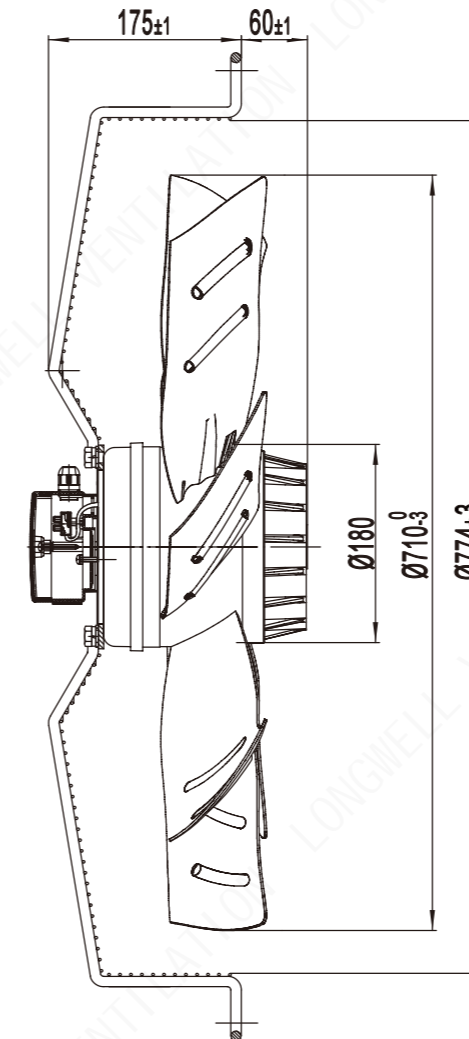
- Blades : Cold rolled steel
- Number of blades: 7
- Mode of operation: S1
- Type of protection: IP54
- Insulation class: F
- Operation Temperature: -30~+60 C



Technical Specifications

Model	Voltage (V)	Frequency (Hz)	Current (A)	Power (W)	Speed (RPM)	Air Volume (m³/h)	Capacitor (uF)	Noise [dB(A)]	Curve
LWAA6D710S-7MEB-01	380/400	50	2	1100	900	17510	/	75	①
	380/400	50	1.4	750	600	12875	/	68	②
LWAA8D710S-7MEB-02	380/400	50	1.5	700	700	12360	/	67	③
	380/400	50	0.9	450	600	10300	/	65	④

Product Drawing (mm)



LWAA-710 Series

Product Characteristic

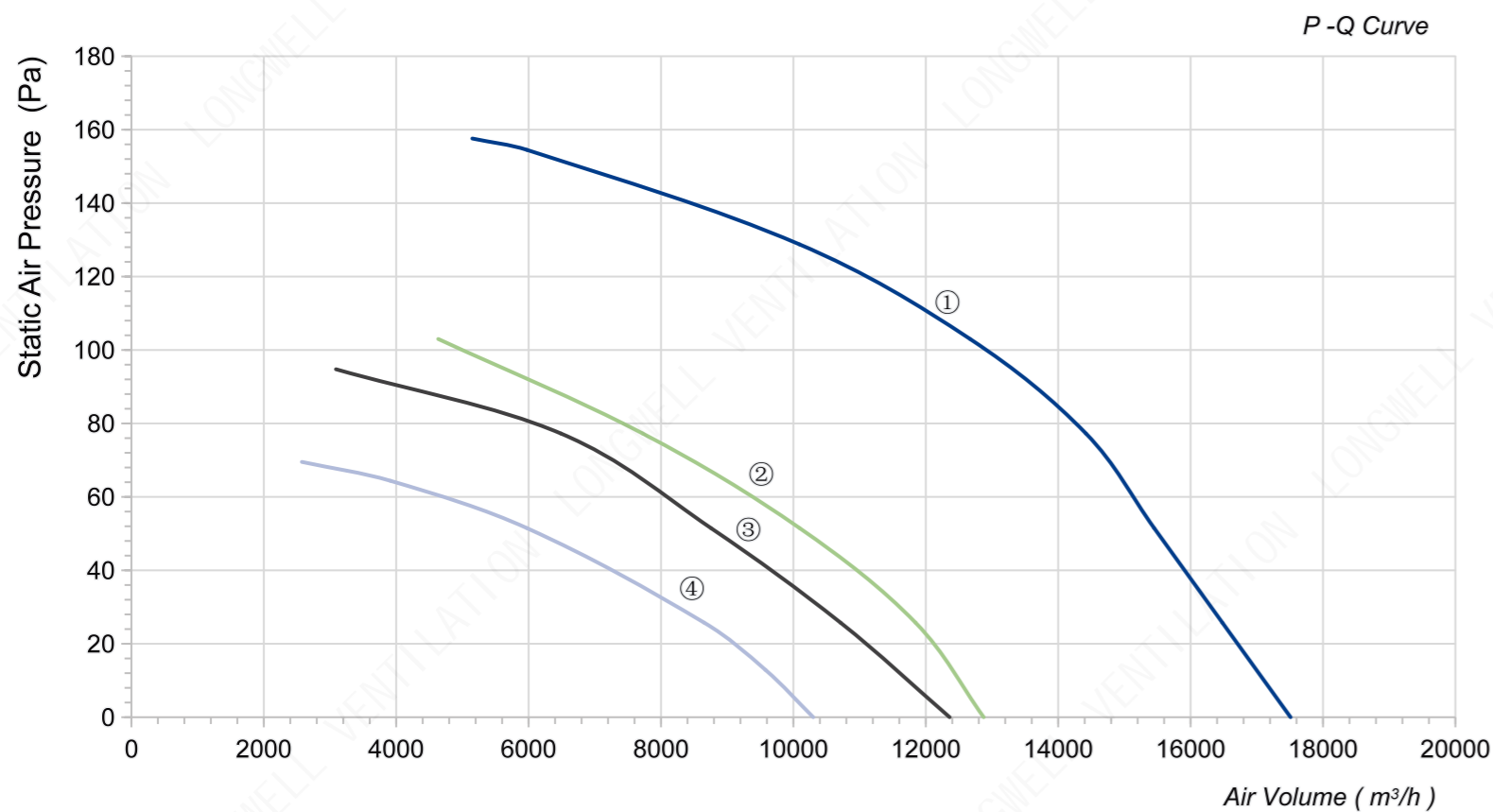
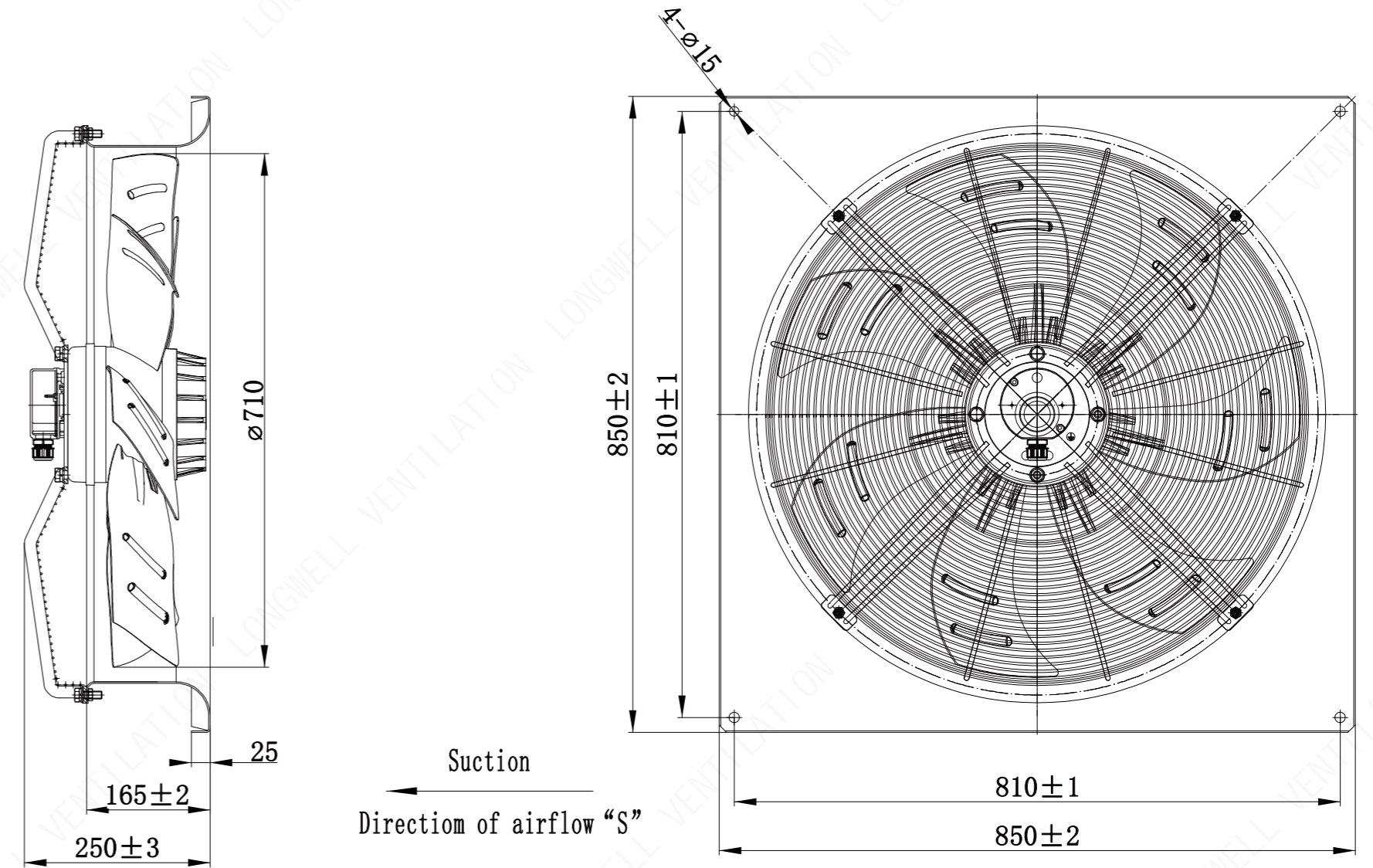
- Blades : Cold rolled steel
- Number of blades: 7
- Mode of operation: S1
- Type of protection: IP54
- Insulation class: F
- Operation Temperature: -30~+60 C



Technical Specifications

Model	Voltage (V)	Frequency (Hz)	Current (A)	Power (W)	Speed (RPM)	Air Volume (m³/h)	Capacitor (uF)	Noise [dB(A)]	Curve
LWAA6D710S-7MKB-03	380/400	50	2	1100	900	17510	/	75	①
	380/400	50	1.4	750	600	12875	/	68	②
LWAA8D710S-7MKB-04	380/400	50	1.5	700	700	12360	/	67	③
	380/400	50	0.9	450	600	10300	/	65	④

Product Drawing (mm)



LWAA-710 Series

Product Characteristic

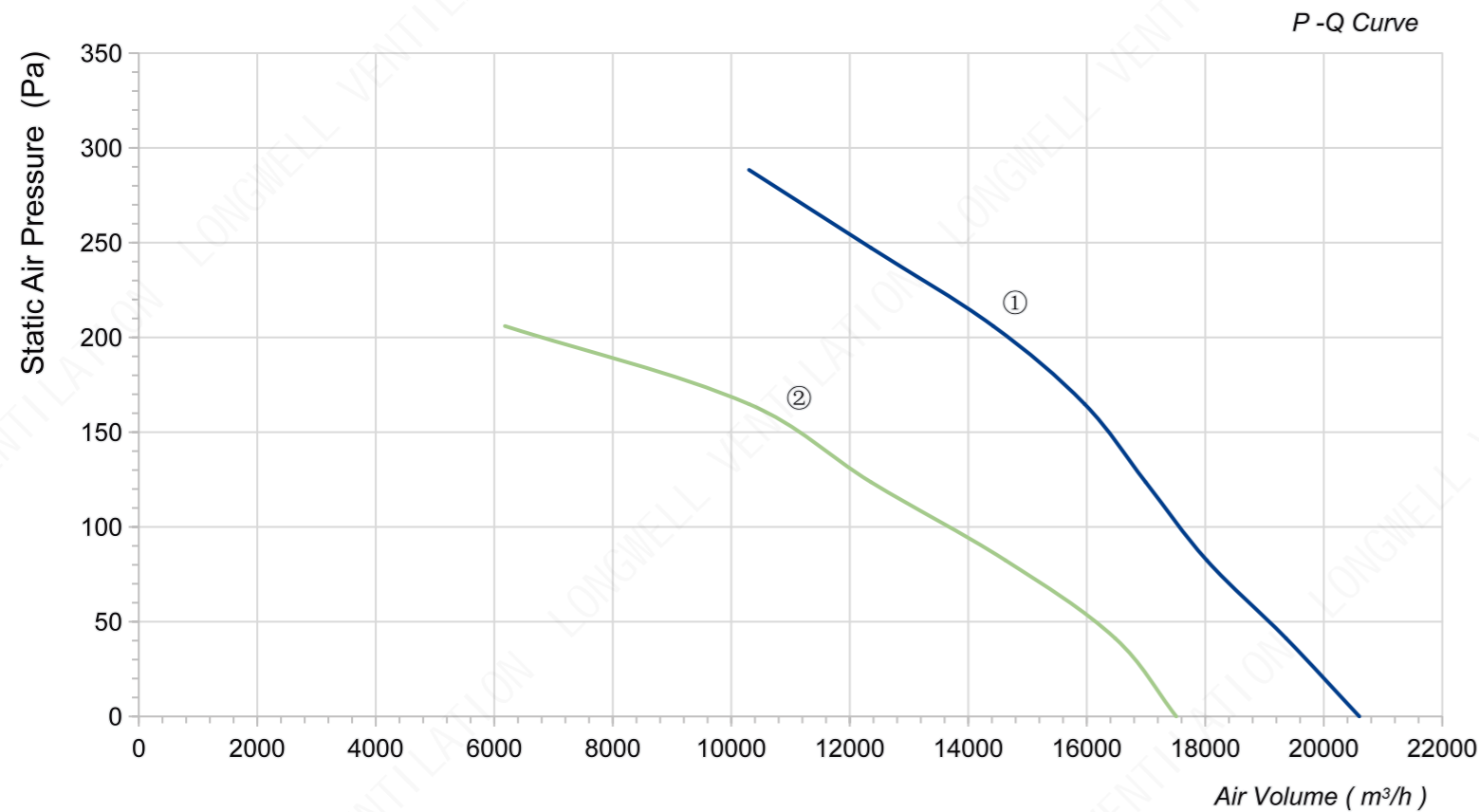
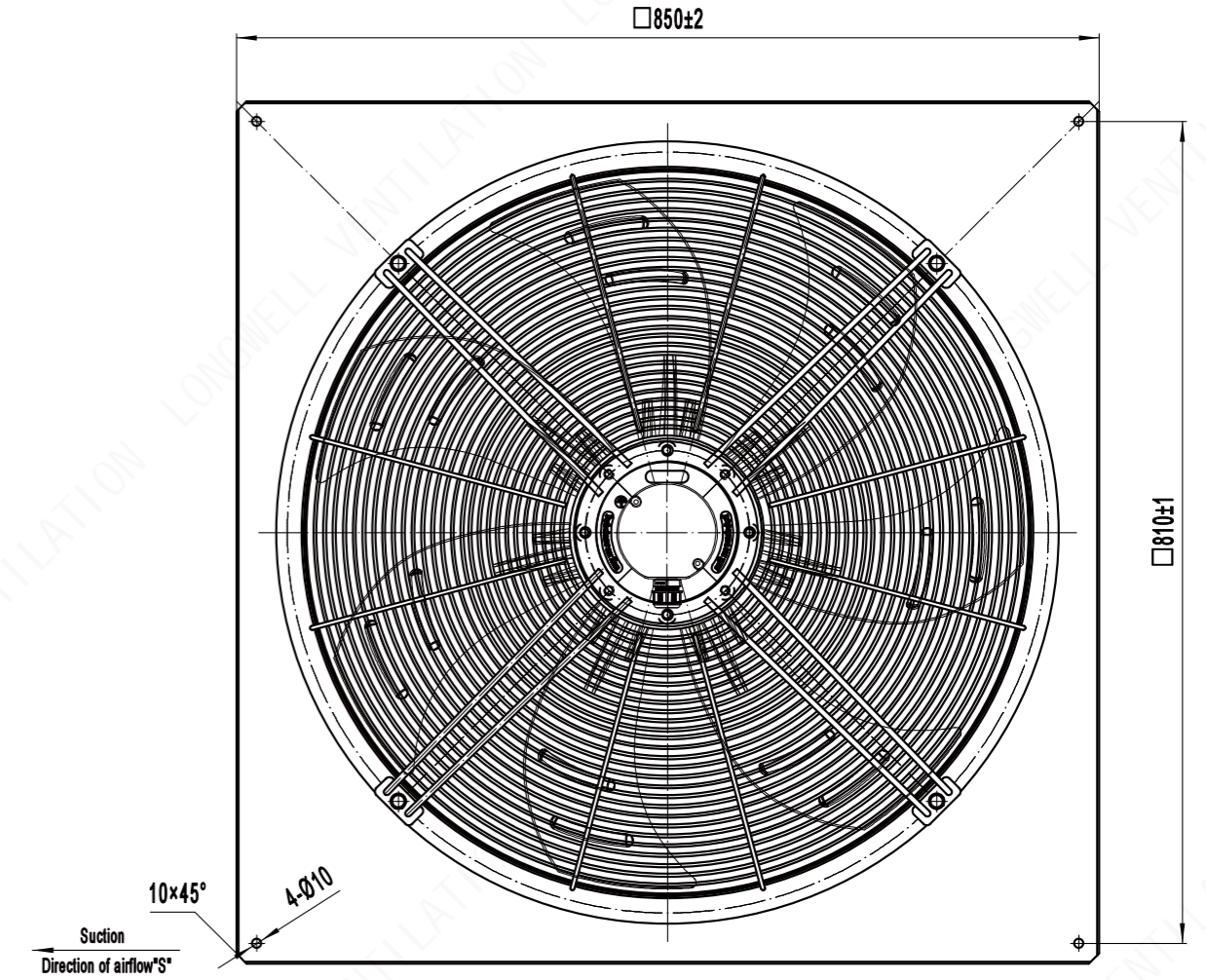
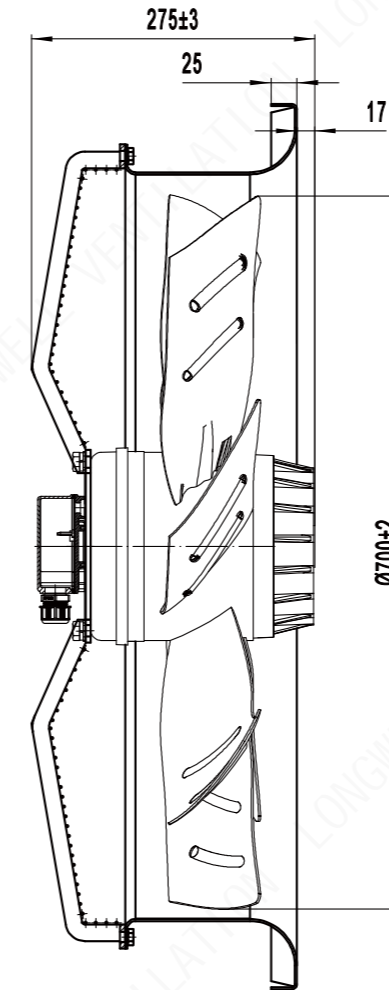
- Blades : Cold rolled steel
- Number of blades: 7
- Mode of operation: S1
- Type of protection: IP54
- Insulation class: F
- Operation Temperature: -30~+60 C



Technical Specifications

Model	Voltage (V)	Frequency (Hz)	Current (A)	Power (W)	Speed (RPM)	Air Volume (m³/h)	Capacitor (uF)	Noise [dB(A)]	Curve
LWAA4D710S-7MKB-05	380/400	50	4.6	2550	1380	20600	/	85	①
	380/400	50	2	1250	1150	17510	/	80	②

Product Drawing (mm)



LWAA-710 Series

Product Characteristic

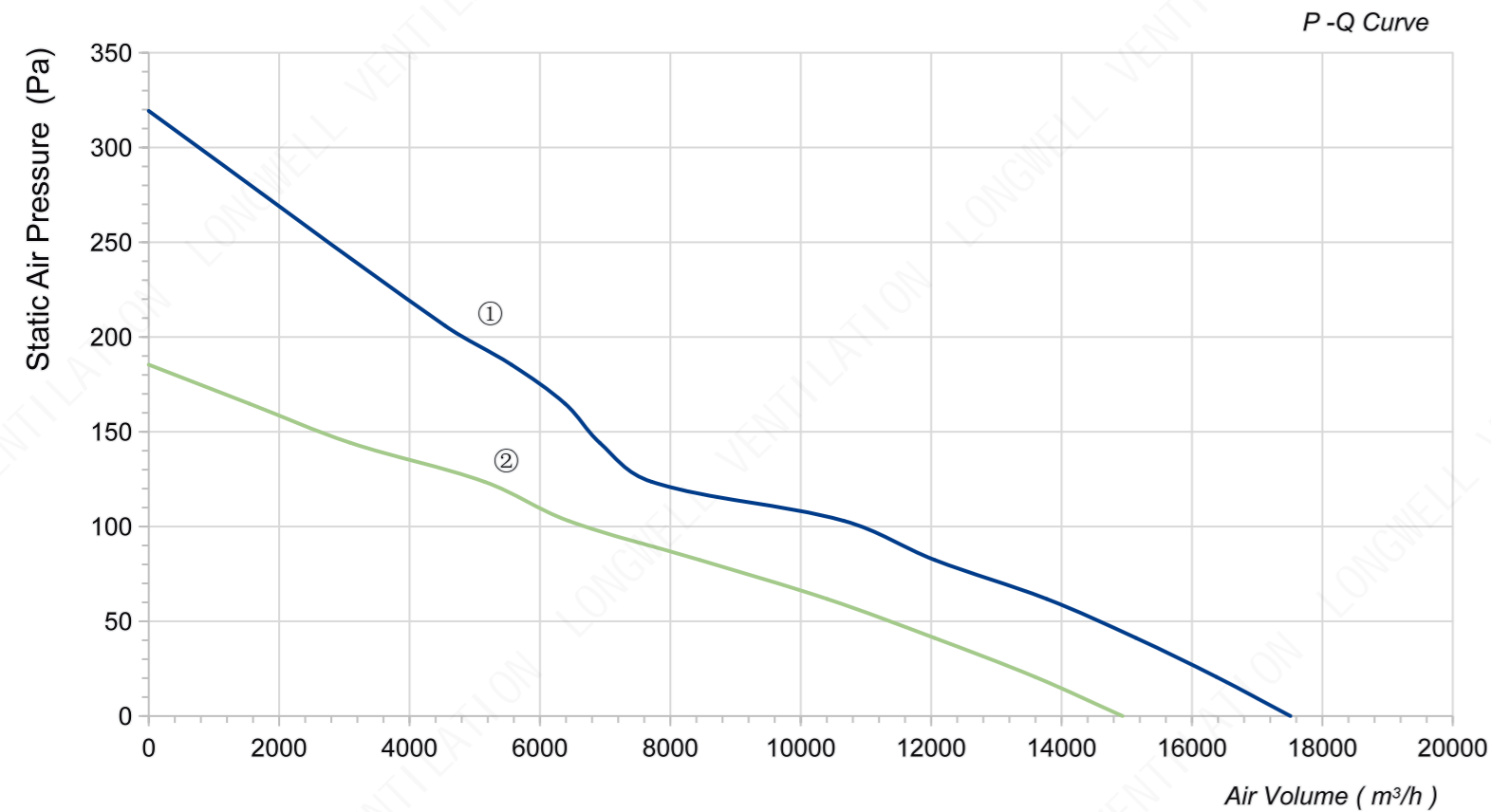
- Blades : Cold rolled steel
- Number of blades: 5
- Mode of operation: S1
- Type of protection: IP54
- Insulation class: F
- Operation Temperature: -30~+60 C



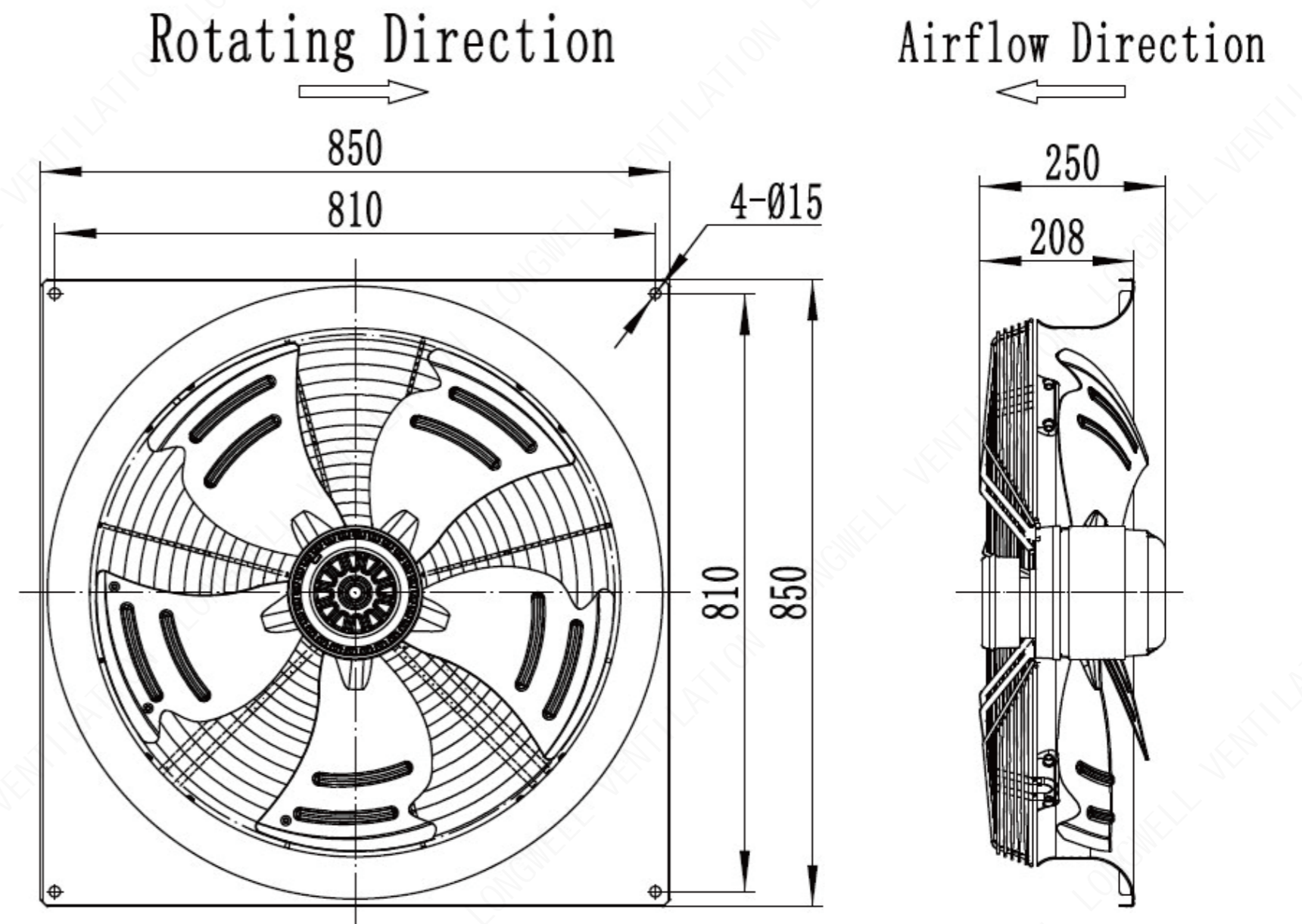
RECOMMEND

Technical Specifications

Model	Voltage (V)	Frequency (Hz)	Current (A)	Power (W)	Speed (RPM)	Air Volume (m³/h)	Capacitor (uF)	Noise [dB(A)]	Curve
LWAA6D710S-5MKB-06	380(▲)	50	1.7	645	960	17510	/	72.6	①
	380(Y)	50	1.4	545	880	14935	/	71.2	②



Product Drawing (mm)



LWAA-800 Series

Product Characteristic

- Blades : Cold rolled steel
- Number of blades: 7
- Mode of operation: S1
- Type of protection: IP54
- Insulation class: F
- Operation Temperature: -30~+60 C

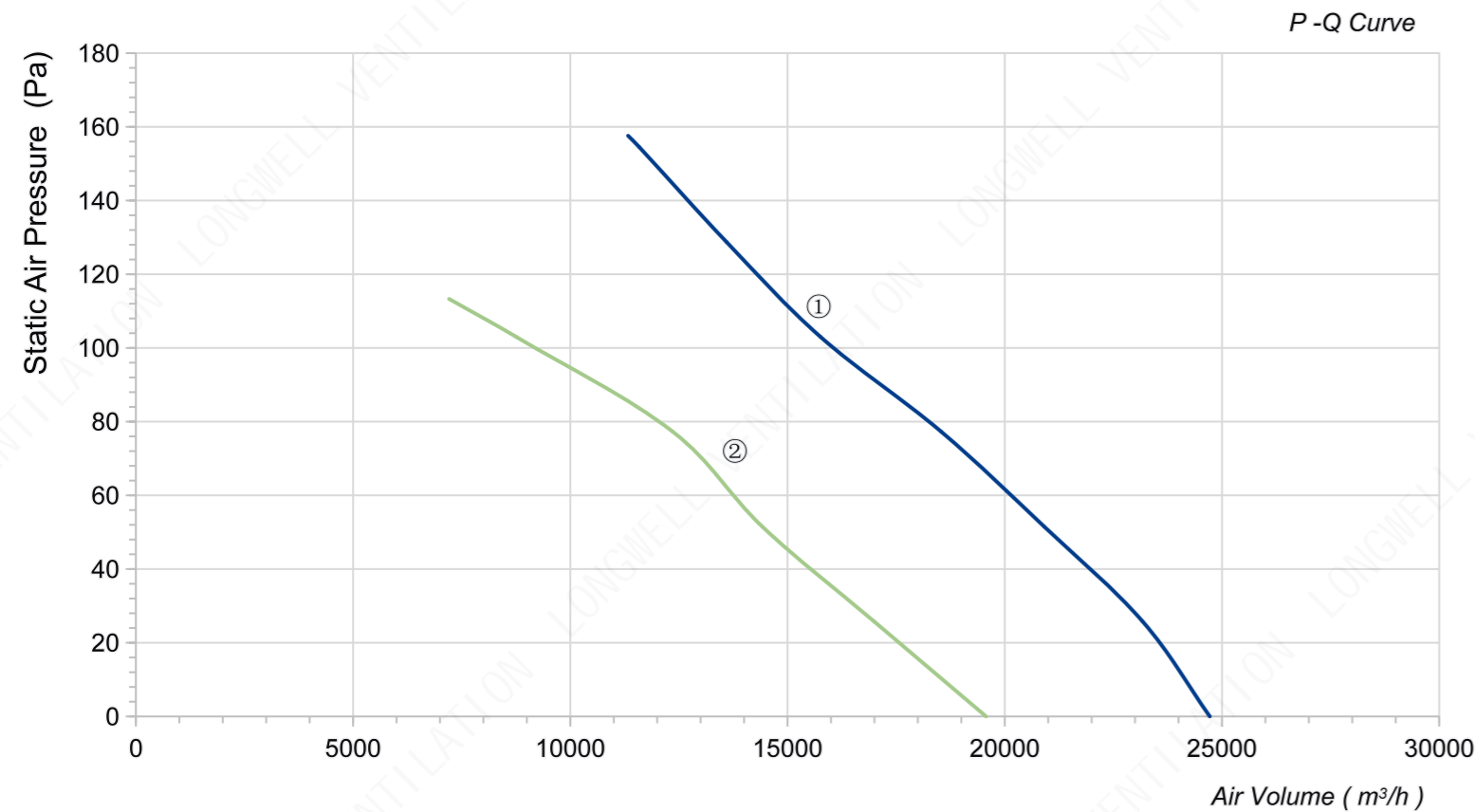
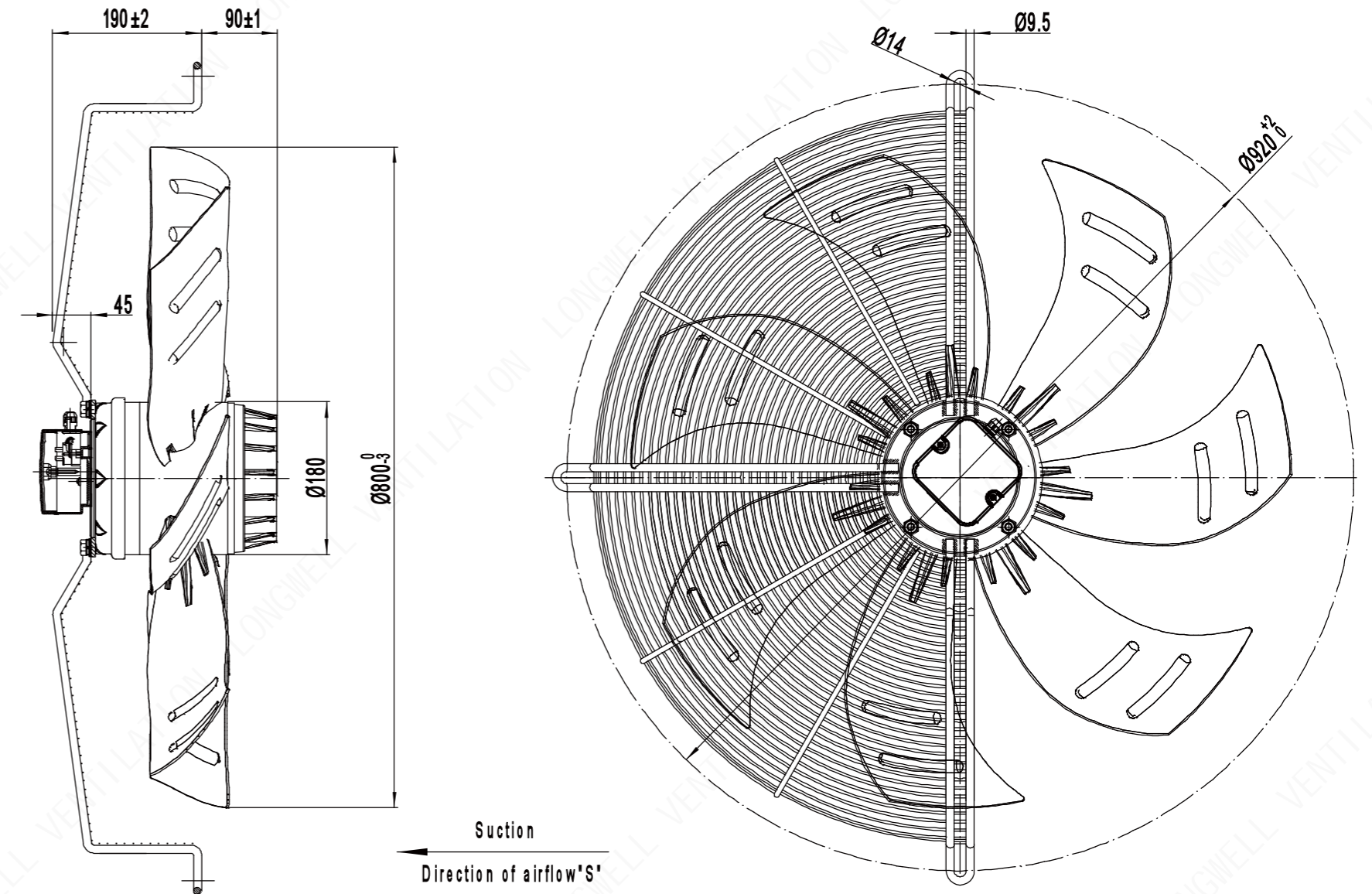


Technical Specifications

Model	Voltage (V)	Frequency (Hz)	Current (A)	Power (W)	Speed (RPM)	Air Volume (m³/h)	Capacitor (uF)	Noise [dB(A)]	Curve
LWAA6D800S-7MEB-01	380/400	50	3.7	1850	900	24720	/	80	①
	380/400	50	2.3	1250	700	19570	/	77	②



Product Drawing (mm)



LWAA-800 Series

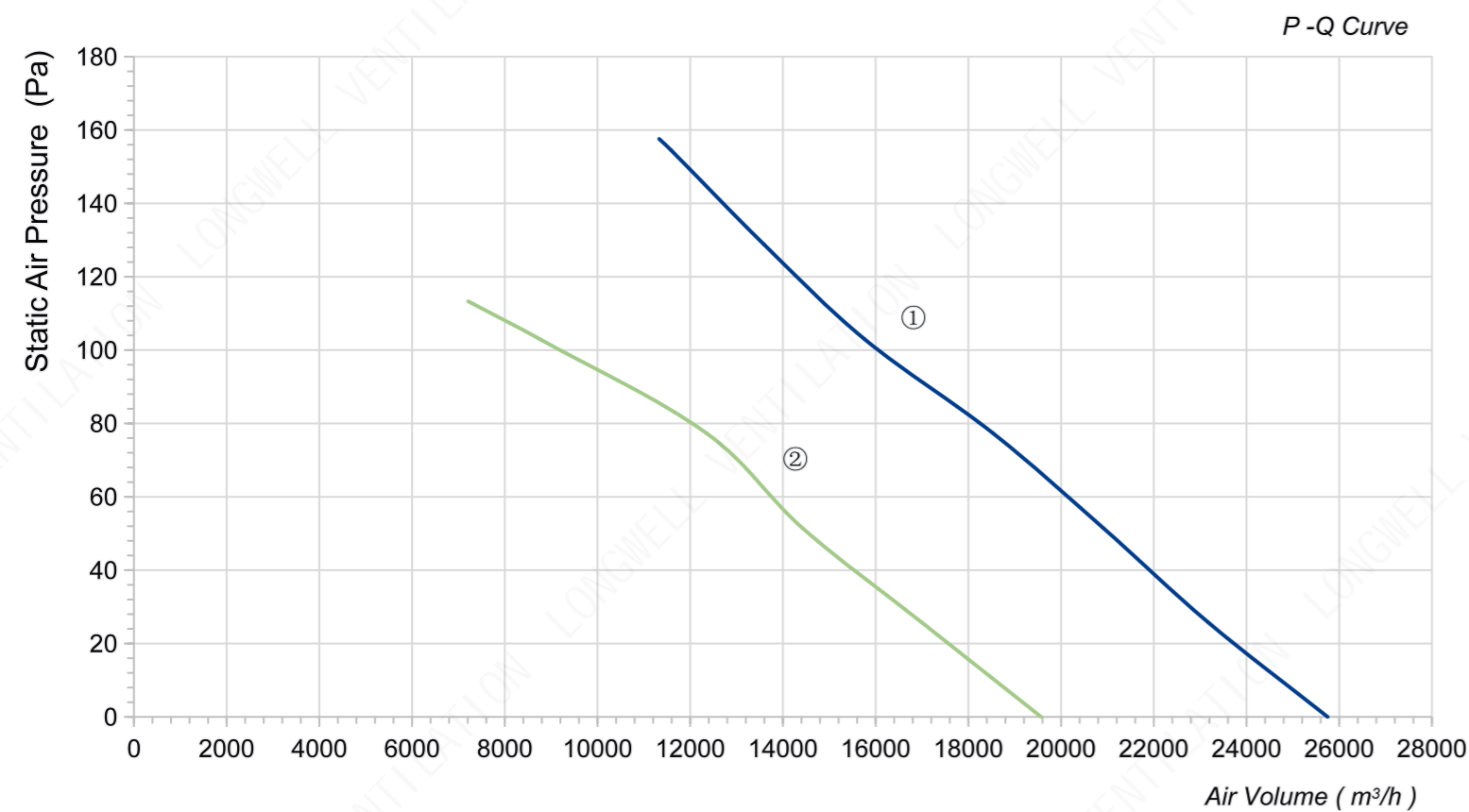
Product Characteristic

- Blades : Cold rolled steel
- Number of blades: 7
- Mode of operation: S1
- Type of protection: IP54
- Insulation class: F
- Operation Temperature: -30~+60 C

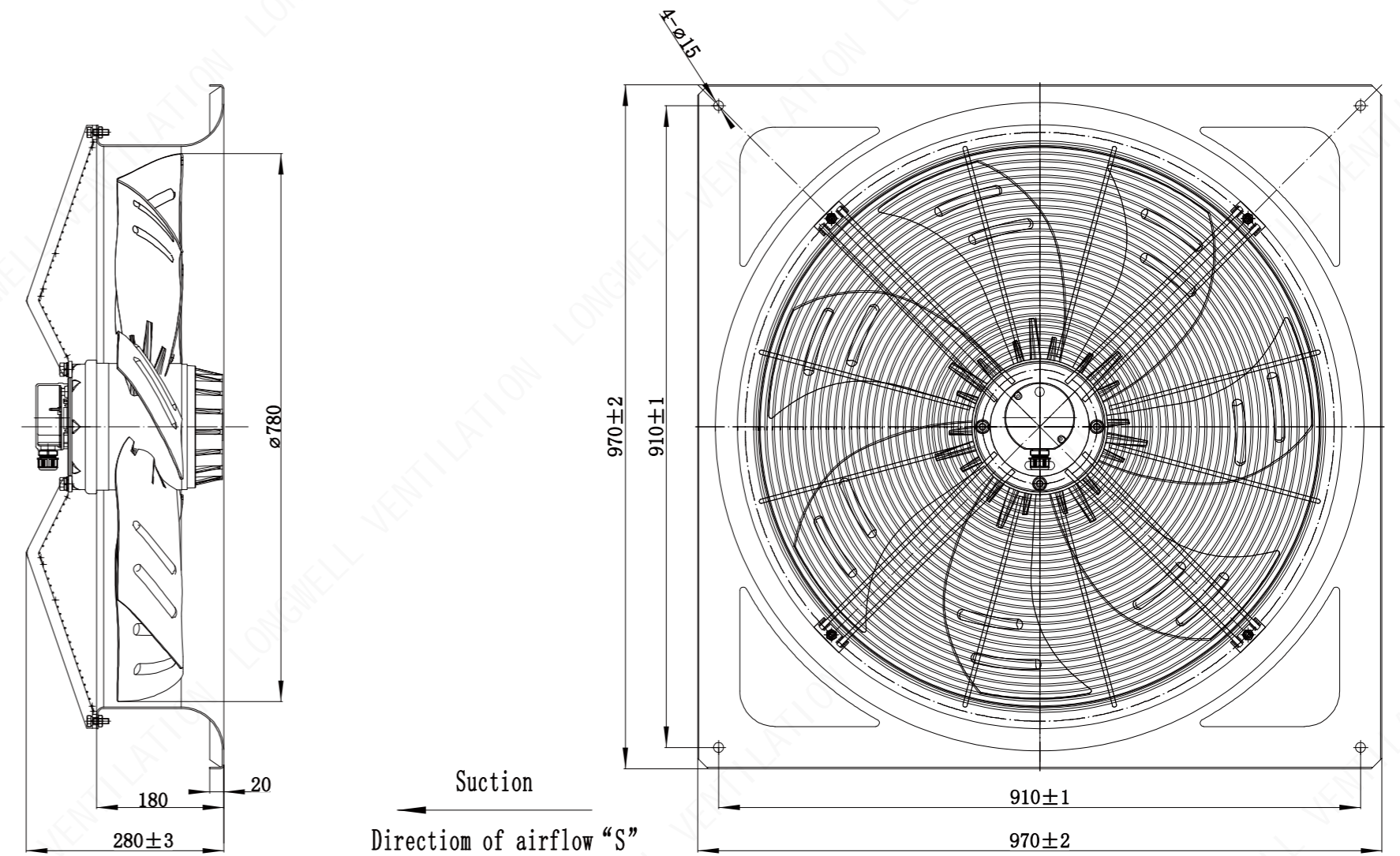


Technical Specifications

Model	Voltage (V)	Frequency (Hz)	Current (A)	Power (W)	Speed (RPM)	Air Volume (m³/h)	Capacitor (uF)	Noise [dB(A)]	Curve
LWAA6D800S-7MEB-02	380/400	50	3.7	1850	900	25750	/	80	①
	380/400	50	2.3	1250	700	19570	/	77	②



Product Drawing (mm)



LWAA-800 Series

Product Characteristic

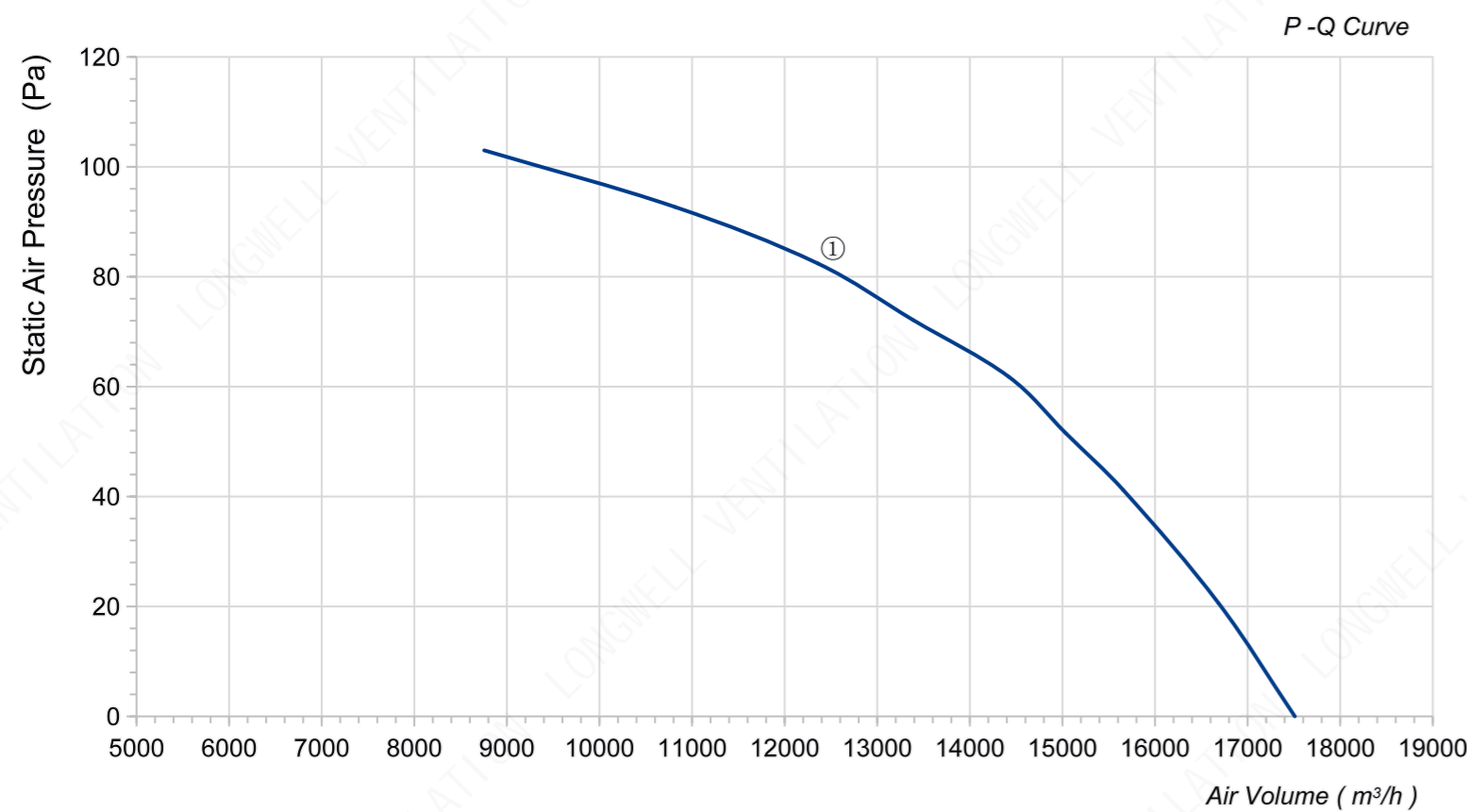
- Blades : Cold rolled steel
- Number of blades: 5
- Mode of operation: S1
- Type of protection: IP54
- Insulation class: F
- Operation Temperature: -30~+60 C



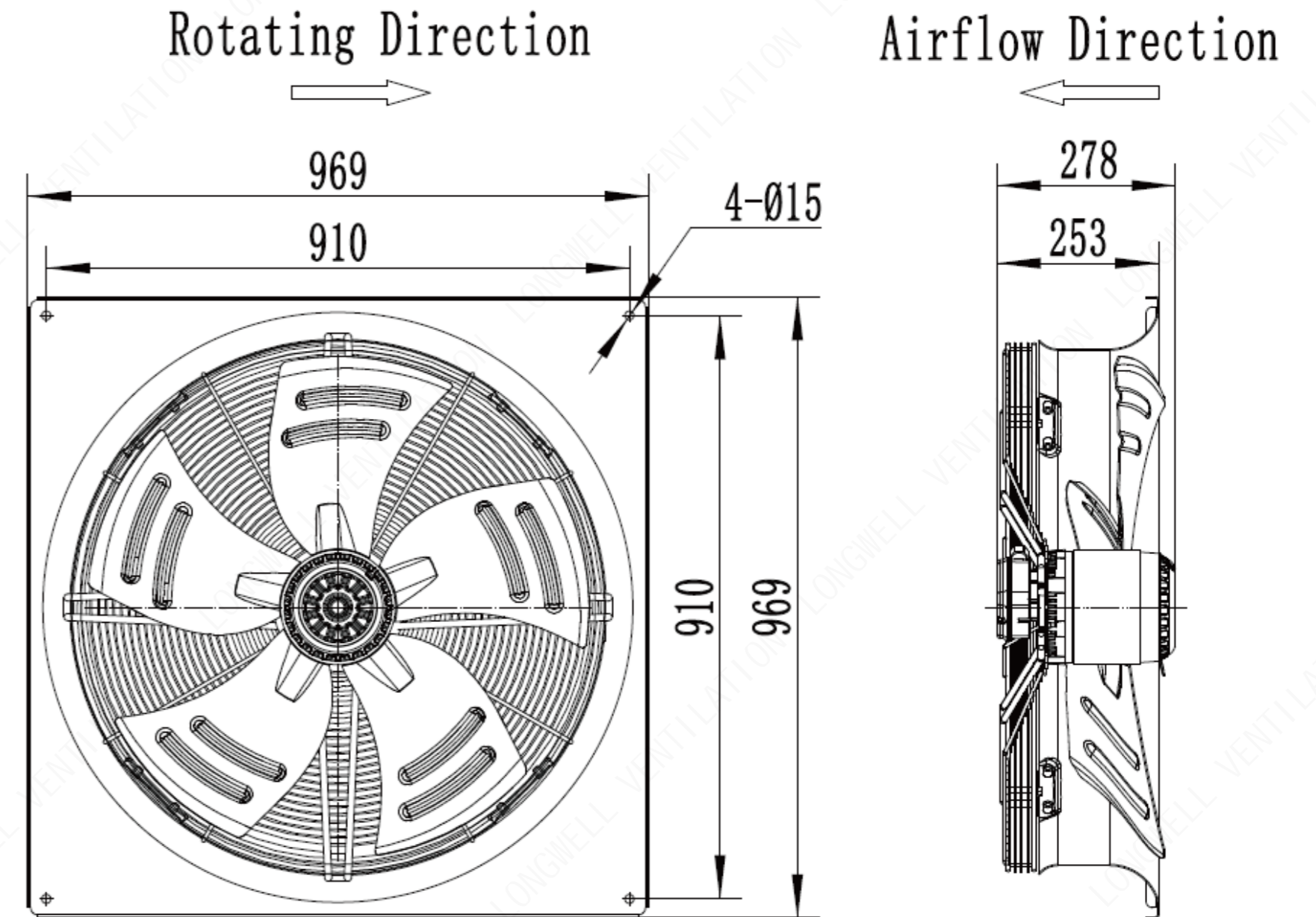
RECOMMEND

Technical Specifications

Model	Voltage (V)	Frequency (Hz)	Current (A)	Power (W)	Speed (RPM)	Air Volume (m³/h)	Capacitor (uF)	Noise [dB(A)]	Curve
LWAA6D800S-5MKB-03	380	50	2.2	785	710	17510	/	65	①



Product Drawing (mm)



LWAA-800 Series

Product Characteristic

- Blades : Cold rolled steel
- Number of blades: 5
- Mode of operation: S1
- Type of protection: IP54
- Insulation class: F
- Operation Temperature: -30~+60 C

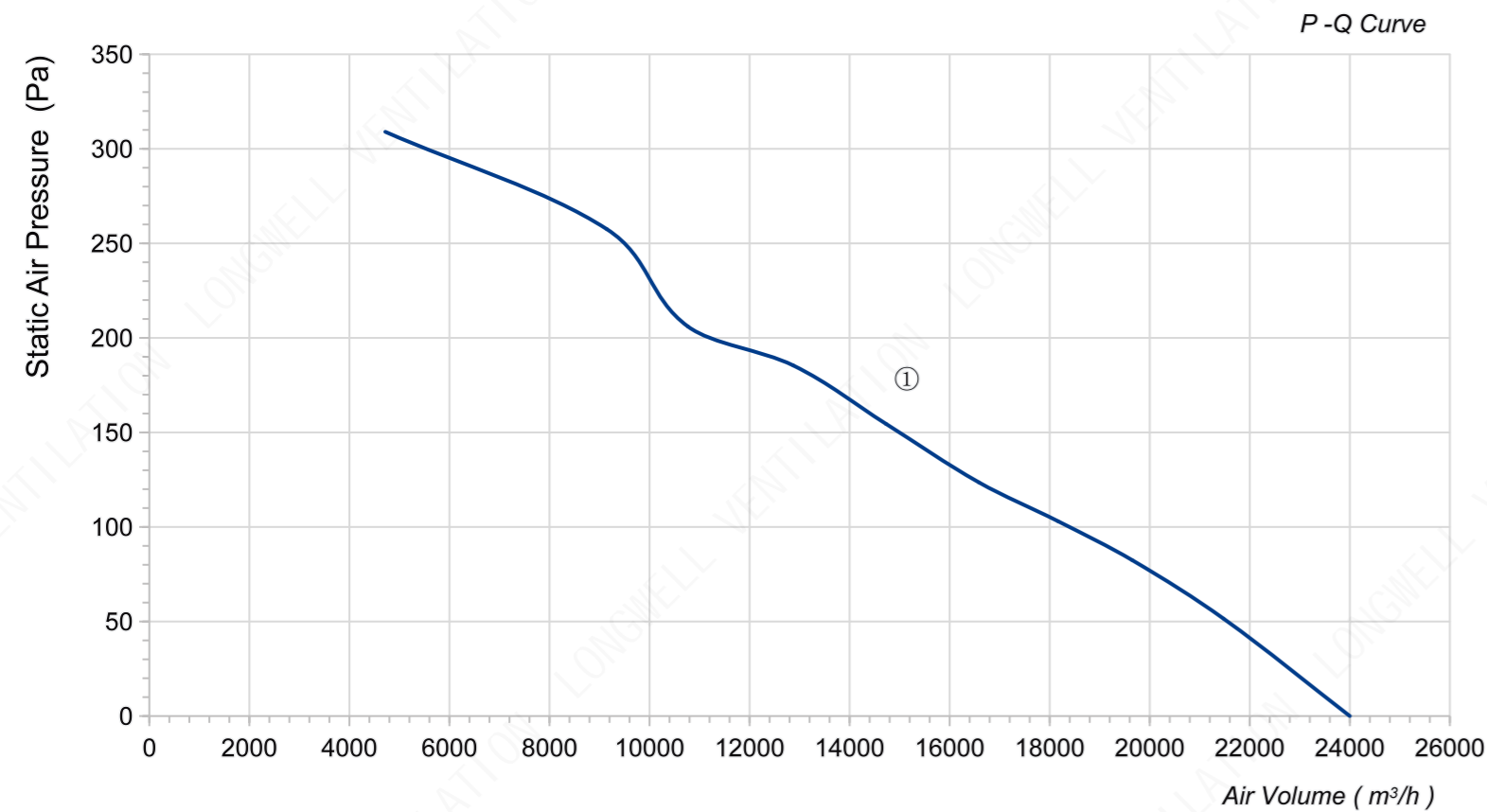


RECOMMEND

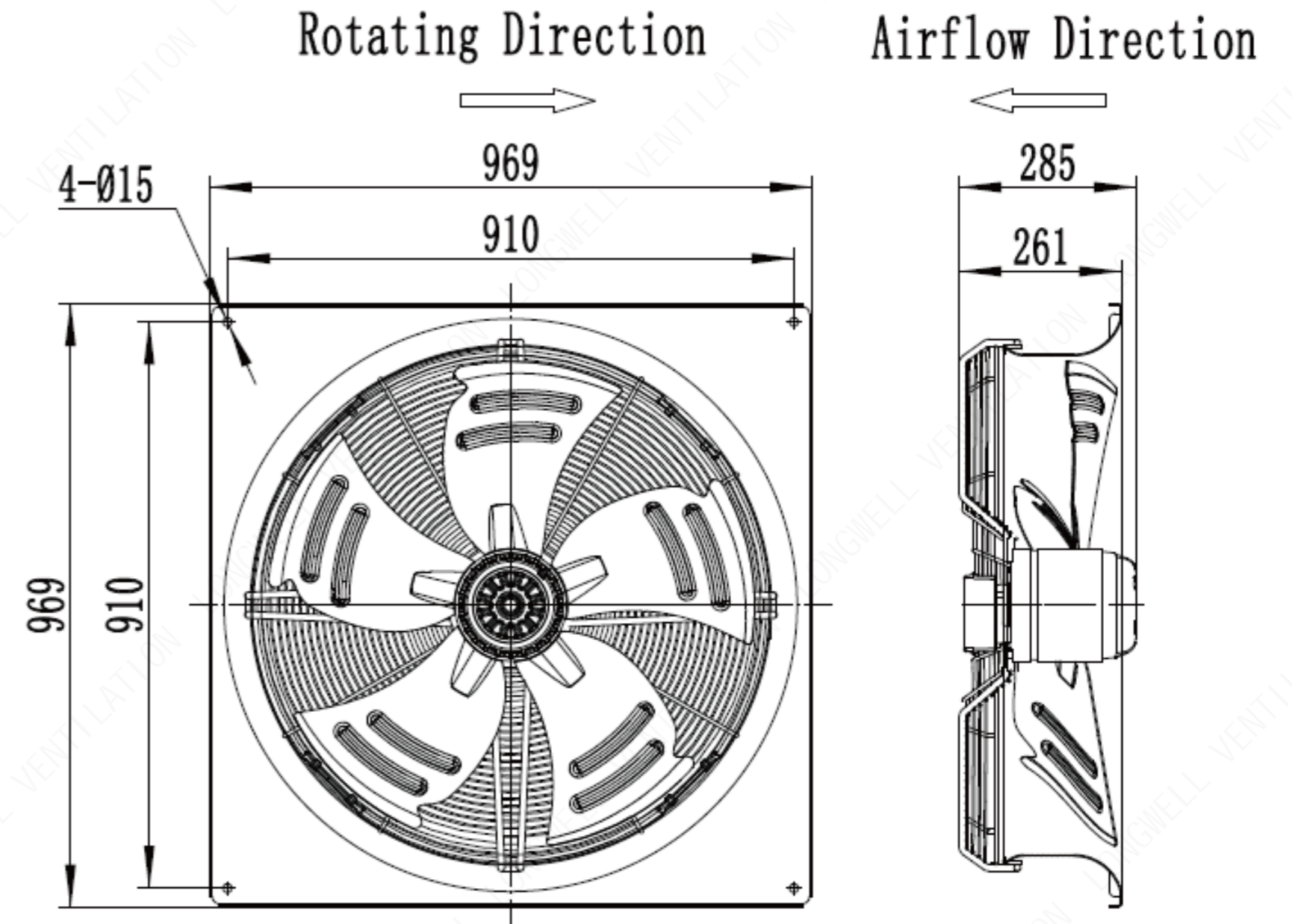


Technical Specifications

Model	Voltage (V)	Frequency (Hz)	Current (A)	Power (W)	Speed (RPM)	Air Volume (m³/h)	Capacitor (uF)	Noise [dB(A)]	Curve
LWAA6D800S-5MKB-04	380	50	3.6	1780	920	23999	/	78.9	①



Product Drawing (mm)



LWAA-900 Series

Product Characteristic

- Blades : Cold rolled steel
- Number of blades: 5
- Mode of operation: S1
- Type of protection: IP54
- Insulation class: F
- Operation Temperature: -30~+60 C



Technical Specifications

Model	Voltage (V)	Frequency (Hz)	Current (A)	Power (W)	Speed (RPM)	Air Volume (m³/h)	Capacitor (uF)	Noise [dB(A)]	Curve
LWAA6D900S-5MKB-01	380/400	50	6.4	2600	940	31106	/	80	①
	380/400	50	3.4	2050	830	29355	/	77	②

Product Drawing (mm)

