

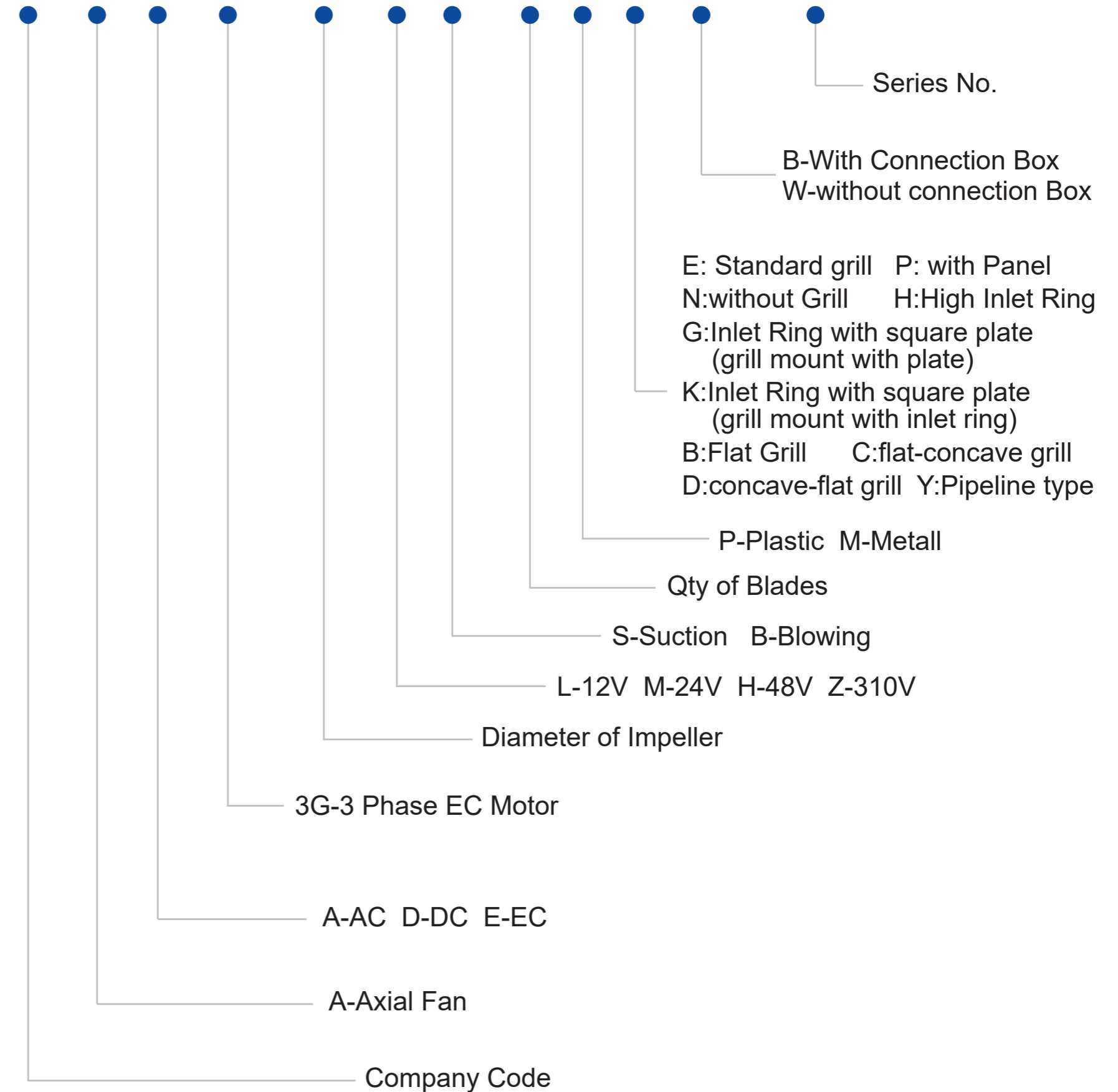
DC Axial Flow Fan

Professional HVAC Fan & Motors Manufacturer



Type Code

LW A D 3G 200 M S - 7 M K B - 01



LWAD-200 Series

Product Characteristic

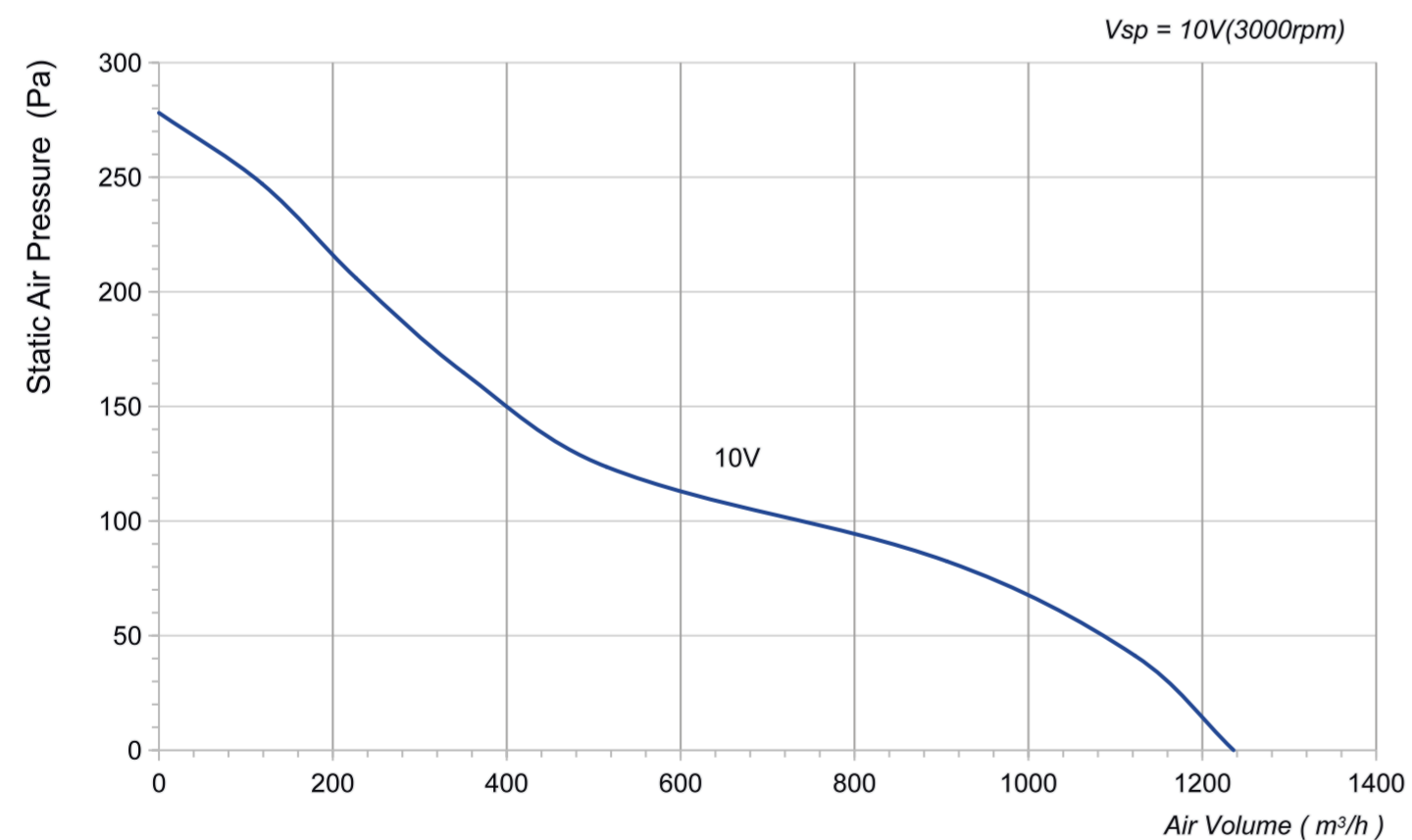
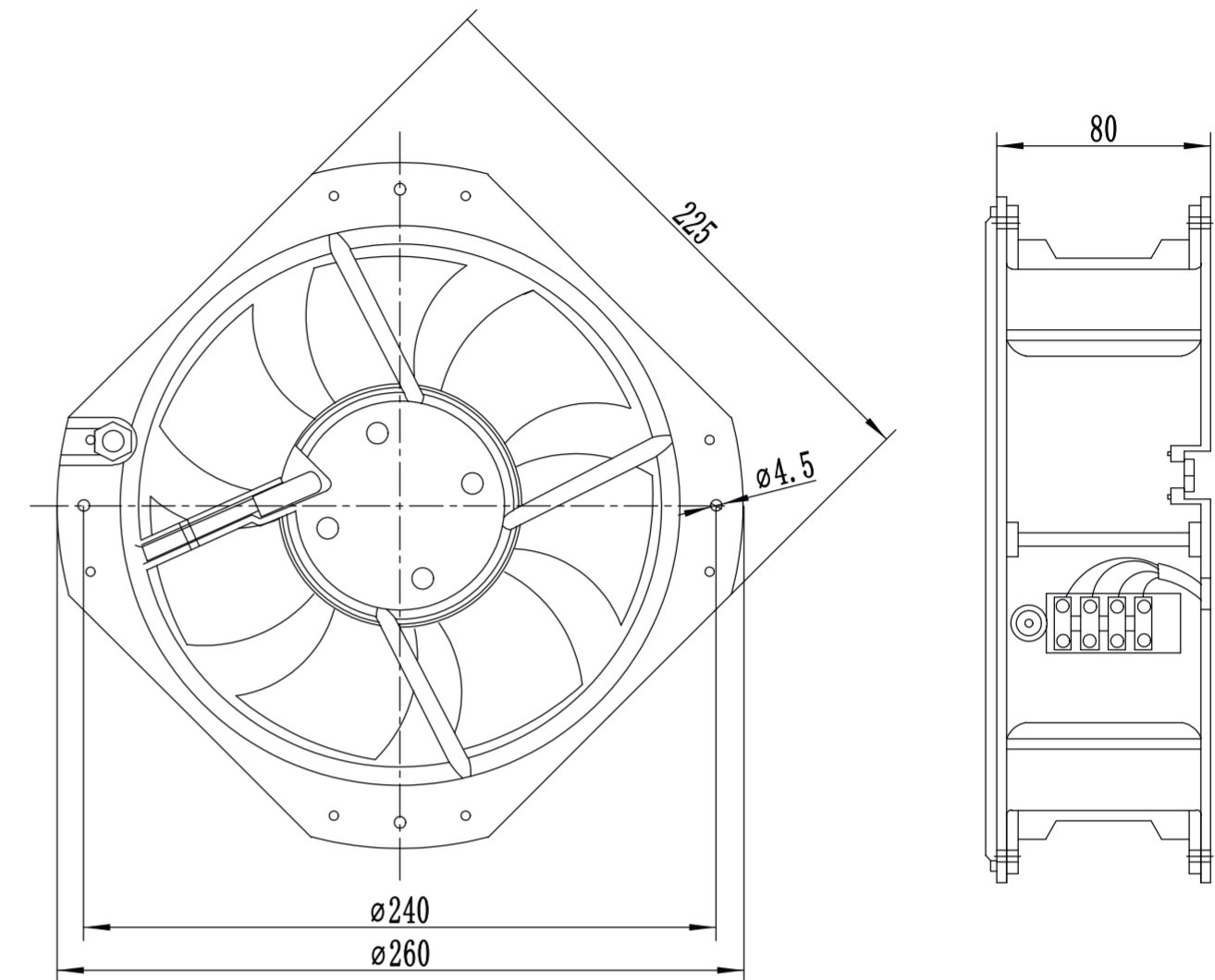
- Impeller Material: Metal Sheet
- Protection Class: IP44
- Insulation class: B
- Operation Temperature: -25 °C ~ +60 °C
- Motor Type: Brushless DC external rotor motor
- Technical Feature: Control input 0-10VDC/PWM, Tech output, Locked-Rotor protection, Reverse Polarity, Over-voltage protection Soft Start Protection



Technical Specifications

Model	Voltage (V)	Frequency (Hz)	Current (A)	Power [W(@0Pa)]	Speed (RPM)	Air Volume (m³/h)	Air Pressure (Pa)	Noise [dB(A)]
LWAD3G200MS-7MKB-01	24	50/60	2.5	60	3000	1236	278	62
LWAD3G200HS-7MKB-02	48	50/60	1.25	60	3000	1236	278	62

LWAD3G200MS-7MKB-01/LWAD3G200HS-7MKB-02



LWAD-200 Series

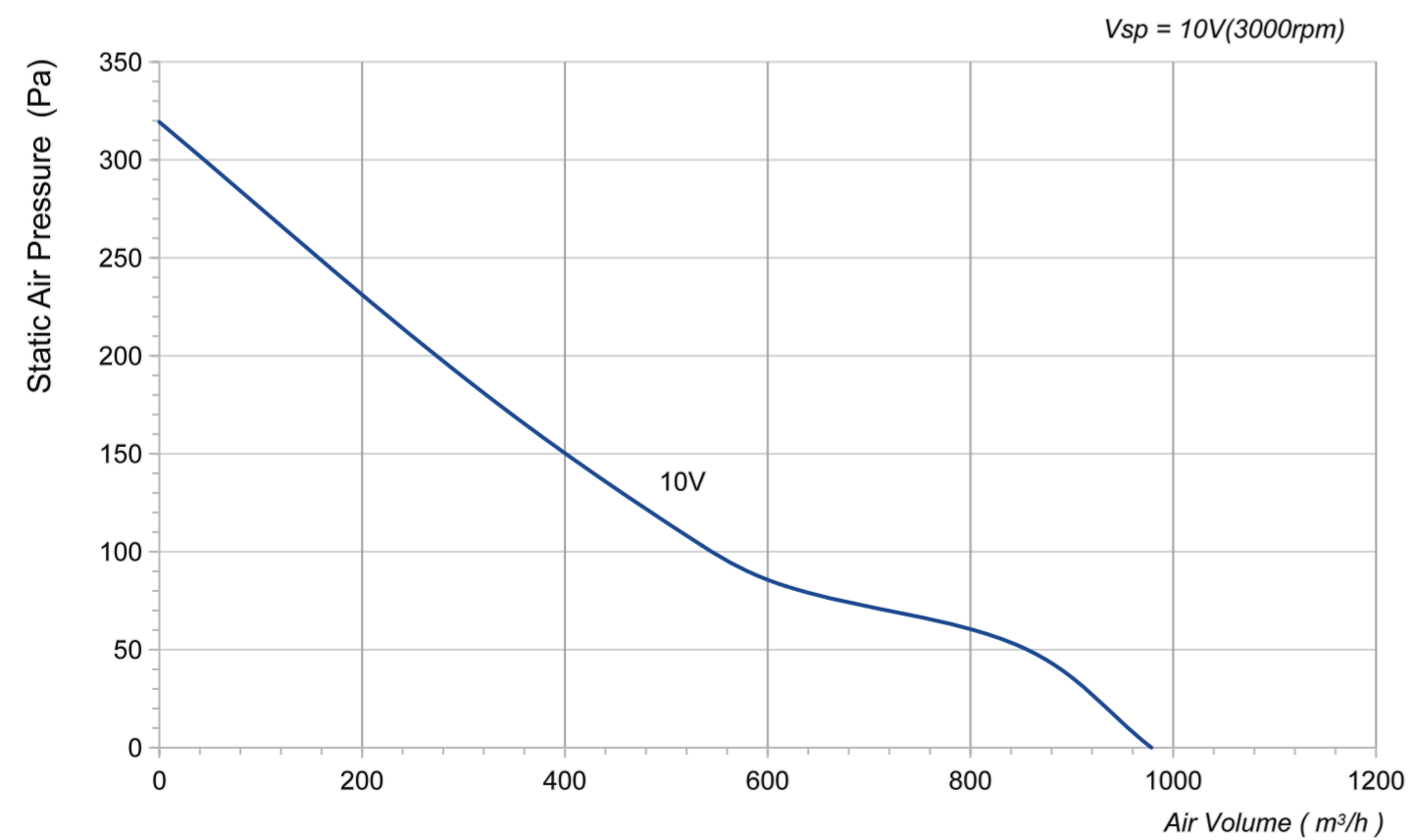
Product Characteristic

- Impeller Material: Metal Sheet
- Protection Class: IP44
- Insulation class: B
- Operation Temperature: -25°C ~ +60°C
- Motor Type: Brushless DC external rotor motor
- Technical Feature: Control input 0-10VDC/PWM, Tech output, Locked-Rotor protection, Reverse Polarity, Over-voltage protection Soft Start Protection

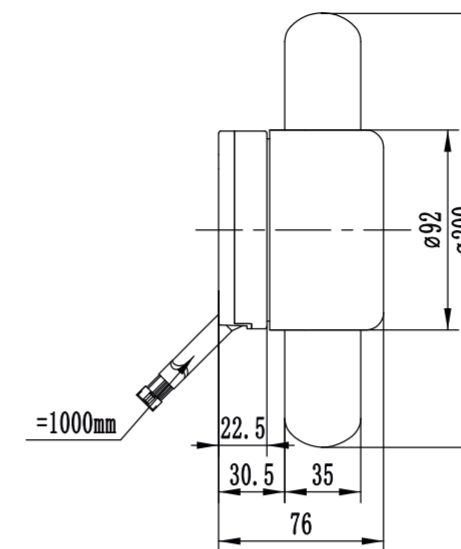


Technical Specifications

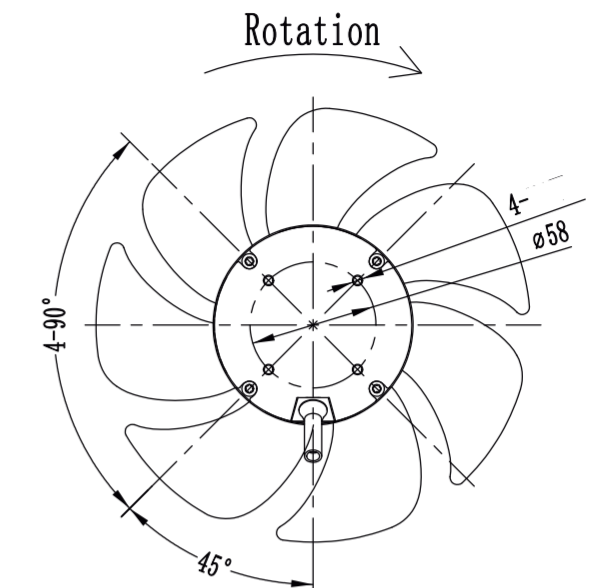
Model	Voltage (V)	Frequency (Hz)	Current (A)	Power [W(@0Pa)]	Speed (RPM)	Air Volume (m³/h)	Air Pressure (Pa)	Noise [dB(A)]
LWAD3G200ZS-7MNW-03	310	50/60	0.17	55	3000	979	319	60
LWAD3G200ZB-7MNW-04	310	50/60	0.17	55	3000	979	319	60
LWAD3G200ZS-7MEW-05	310	50/60	0.17	55	3000	979	319	60
LWAD3G200ZB-7MEW-06	310	50/60	0.17	55	3000	979	319	60
LWAD3G200ZS-7MGW-07	310	50/60	0.17	55	3000	979	319	60
LWAD3G200ZB-7MGW-08	310	50/60	0.17	55	3000	979	319	60



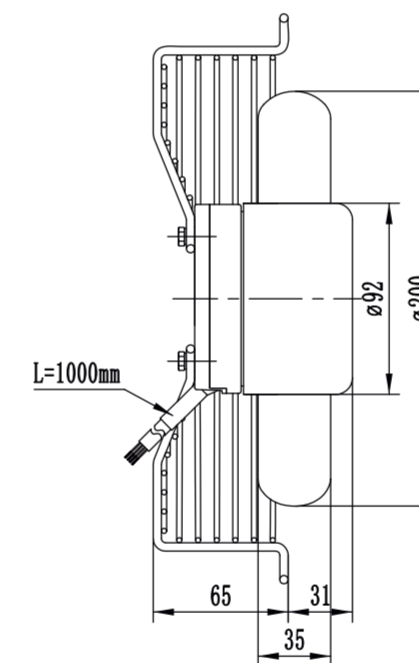
LWAD3G200ZS-7MNW-03(Suction)



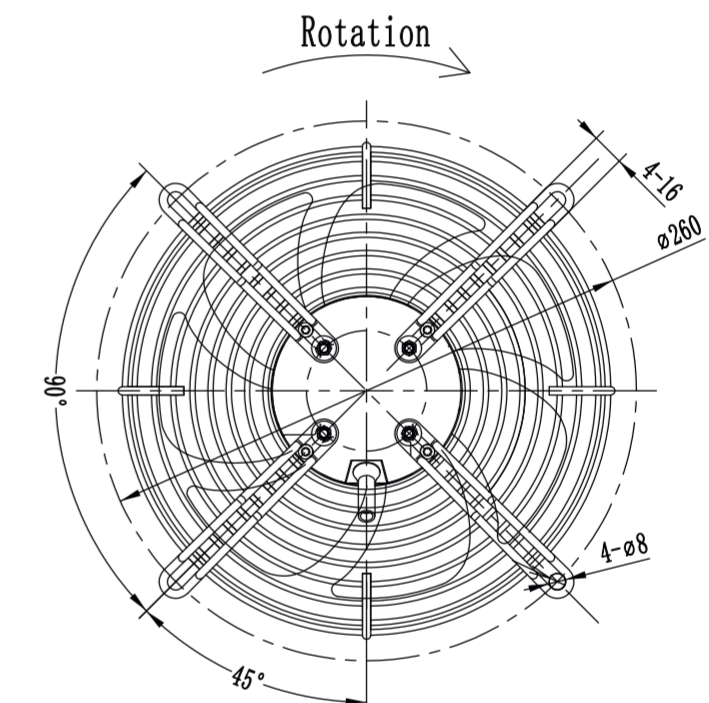
LWAD3G200ZB-7MNW-04(Blowing)



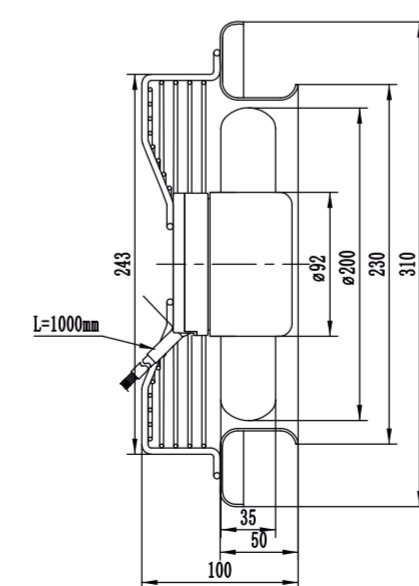
LWAD3G200ZS-7MEW-05(Suction)



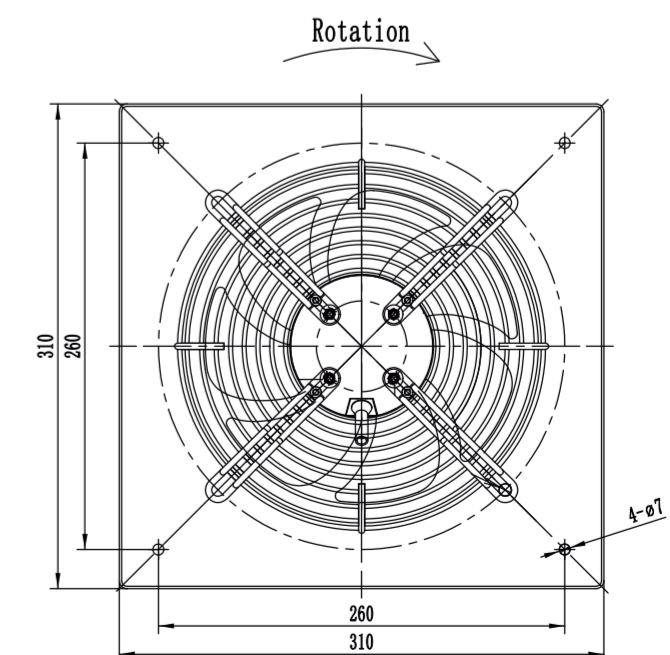
LWAD3G200ZB-7MEW-06(Blowing)



LWAD3G200ZS-7MGW-07(Suction)



LWAD3G200ZB-7MGW-08(Blowing)



LWAD-250 Series

Product Characteristic

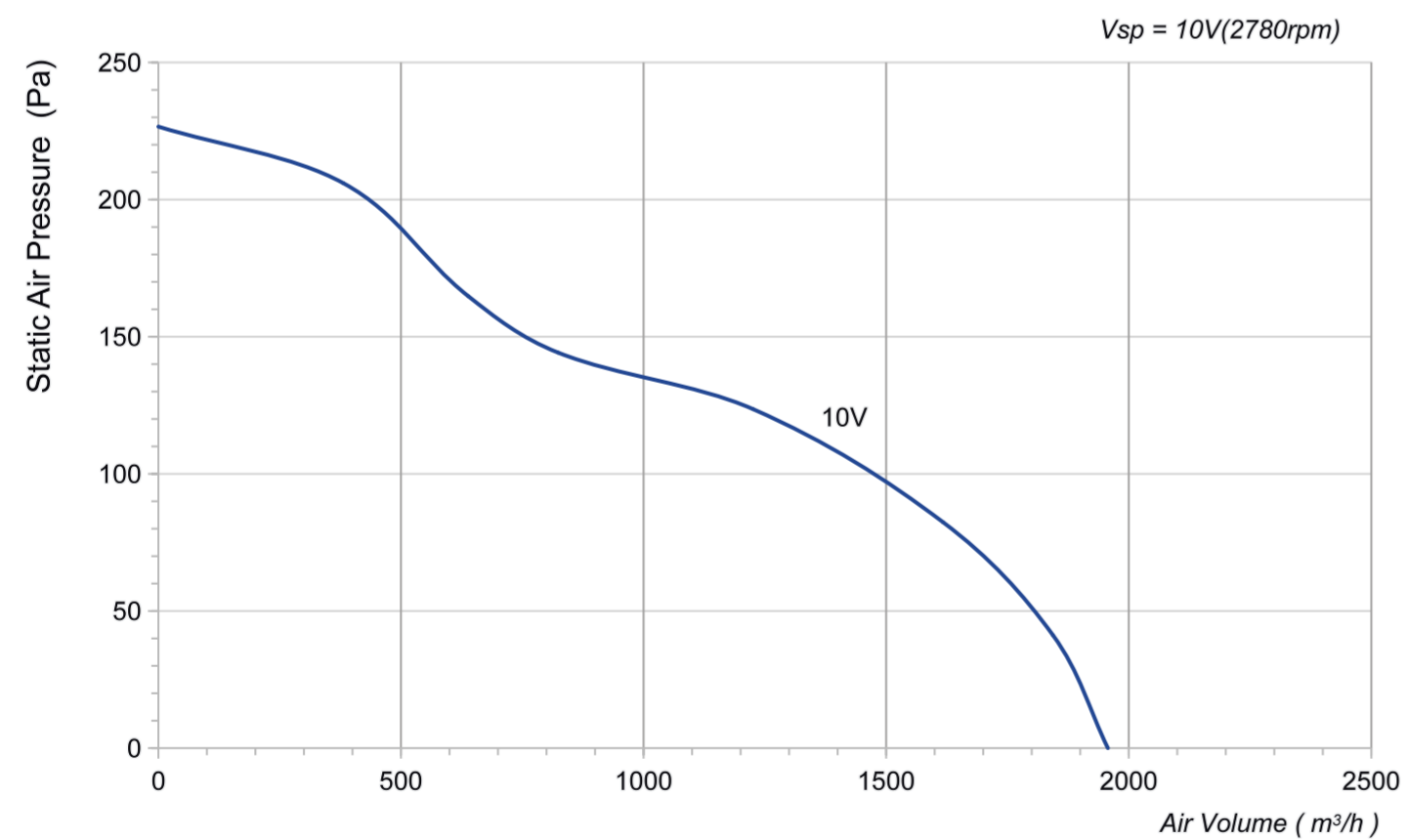
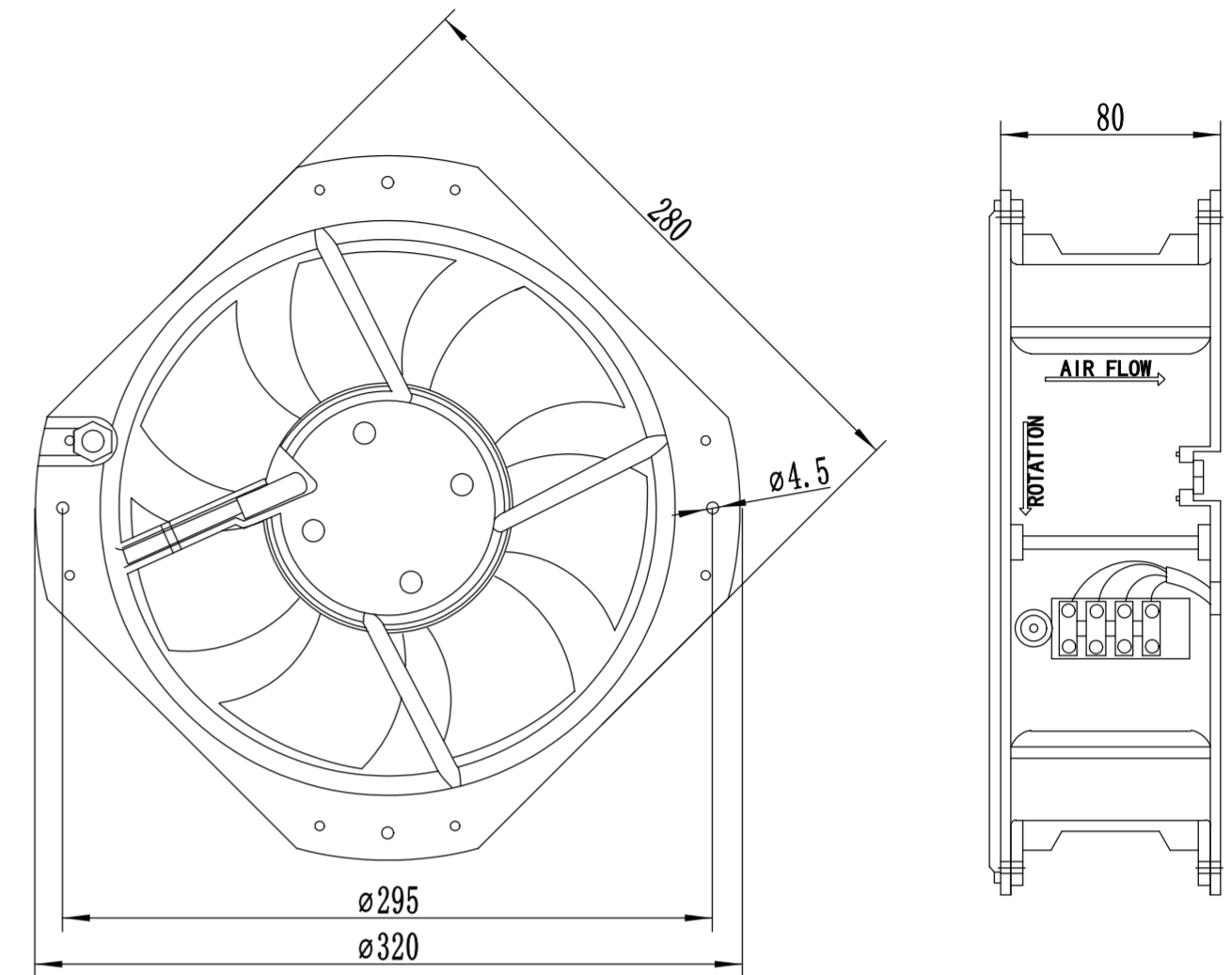
- Impeller Material: Metal Sheet
- Protection Class: IP44
- Insulation class: B
- Operation Temperature: -25°C ~ +60°C
- Motor Type: Brushless DC external rotor motor
- Technical Feature: Control input 0-10VDC/PWM, Tech output, Locked-Rotor protection, Reverse Polarity, Over-voltage protection Soft Start Protection



Technical Specifications

Model	Voltage (V)	Frequency (Hz)	Current (A)	Power [W(@0Pa)]	Speed (RPM)	Air Volume (m³/h)	Air Pressure (Pa)	Noise [dB(A)]
LWAD3G250MS-7MKB-01	24	50/60	4.4	105	2780	1957	227	69
LWAD3G250HS-7MKB-02	48	50/60	2.2	105	2780	1957	227	69

LWAD3G250MS-7MKB-01/LWAD3G250HS-7MKB-02



LWAD-250 Series

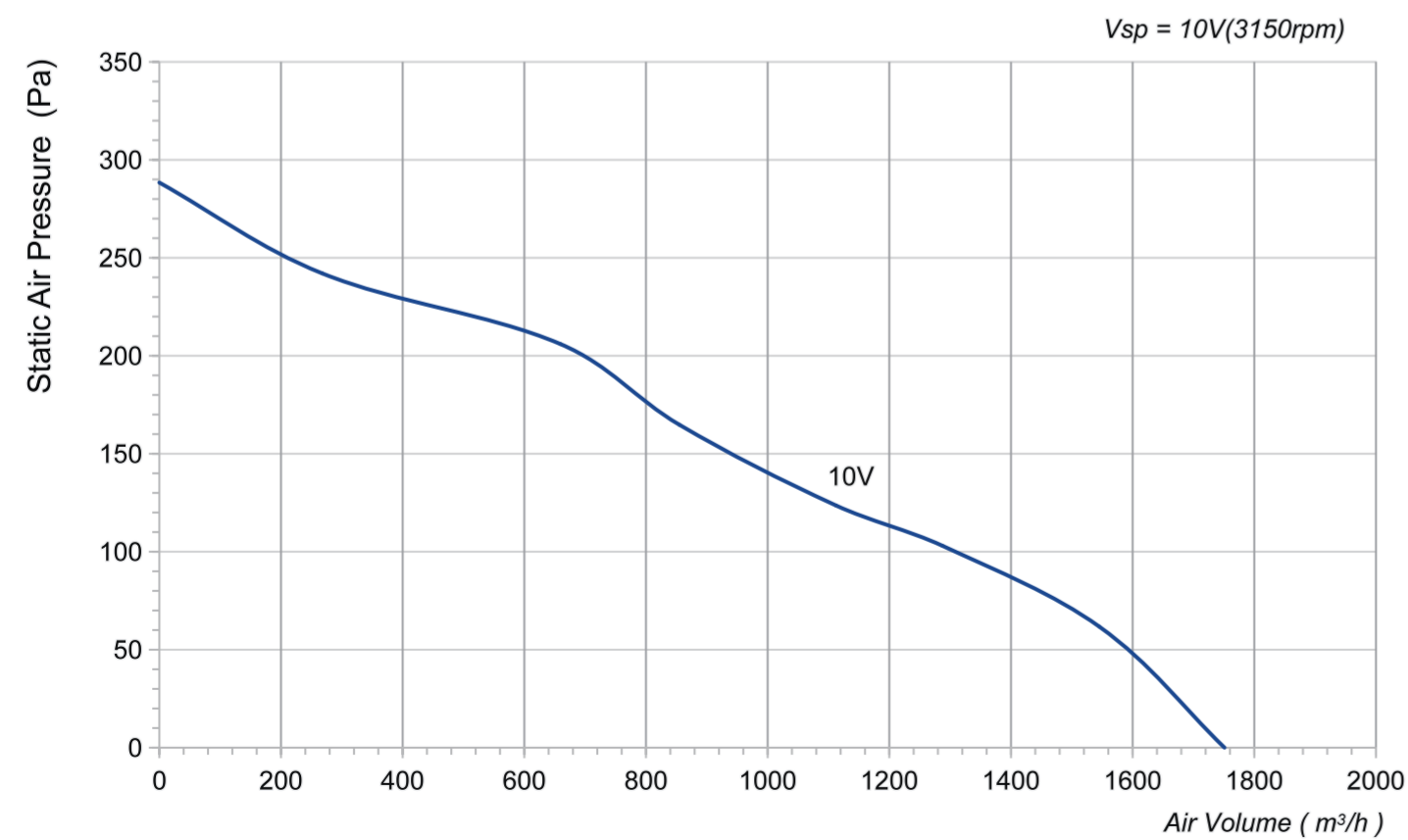
Product Characteristic

- Impeller Material: Metal Sheet
- Protection Class: IP44
- Insulation class: B
- Operation Temperature: -25°C ~ +60°C
- Motor Type: Brushless DC external rotor motor
- Technical Feature: Control input 0-10VDC/PWM, Tech output, Locked-Rotor protection, Reverse Polarity, Over-voltage protection Soft Start Protection

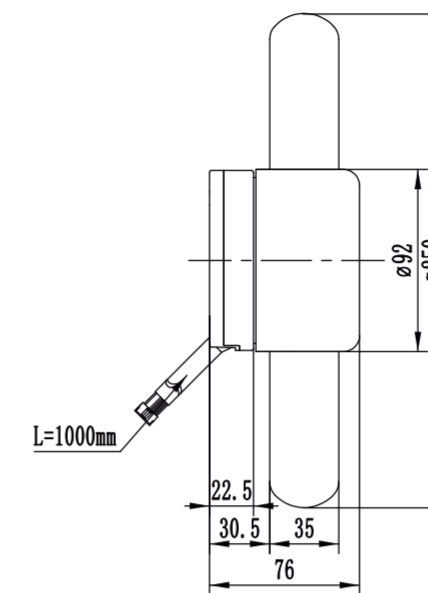


Technical Specifications

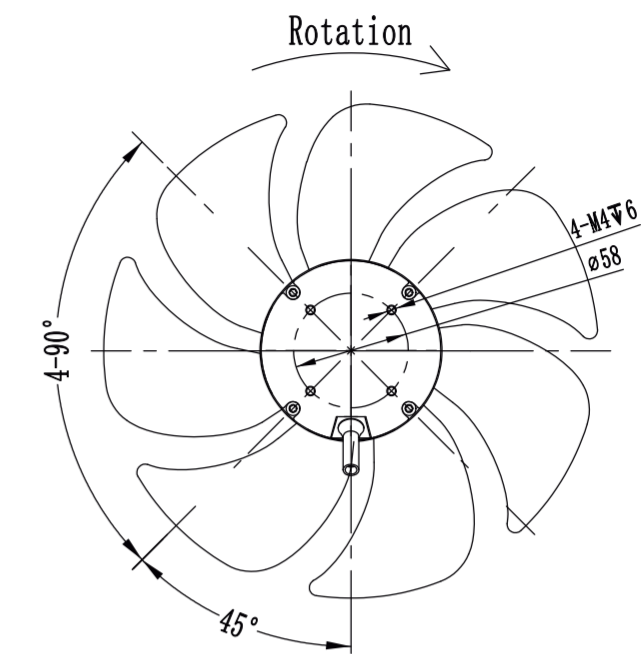
Model	Voltage (V)	Frequency (Hz)	Current (A)	Power [W(@0Pa)]	Speed (RPM)	Air Volume (m³/h)	Air Pressure (Pa)	Noise [dB(A)]
LWAD3G250ZS-7MNW-03	310	50/60	0.44	135	3150	1751	288	69
LWAD3G250ZB-7MNW-04	310	50/60	0.44	135	3150	1751	288	69
LWAD3G250ZS-7MEW-05	310	50/60	0.44	135	3150	1751	288	69
LWAD3G250ZB-7MEW-06	310	50/60	0.44	135	3150	1751	288	69
LWAD3G250ZS-7MKW-07	310	50/60	0.44	135	3150	1751	288	69
LWAD3G250ZB-7MKW-08	310	50/60	0.44	135	3150	1751	288	69



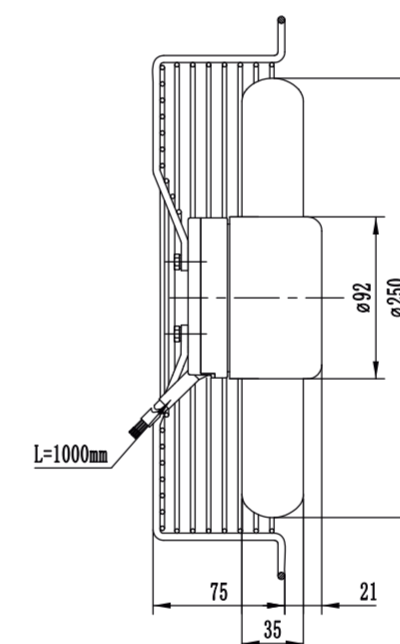
LWAD3G250ZS-7MNW-03(Suction)



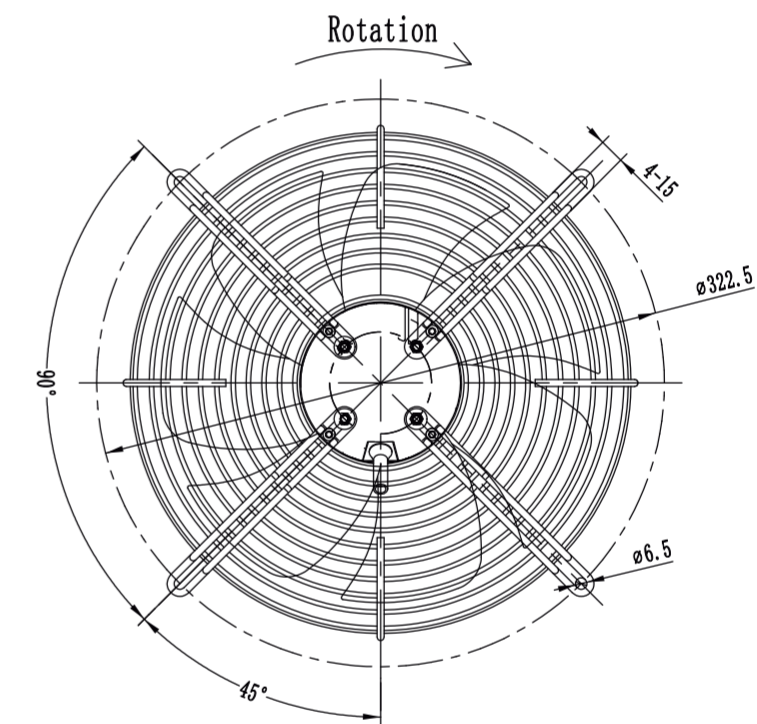
LWAD3G250ZB-7MNW-04(Blowing)



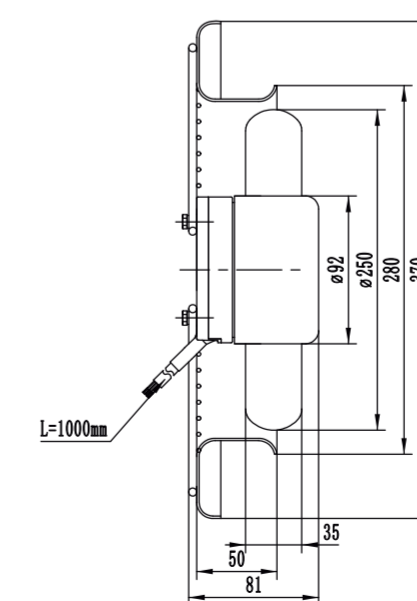
LWAD3G250ZS-7MEW-05(Suction)



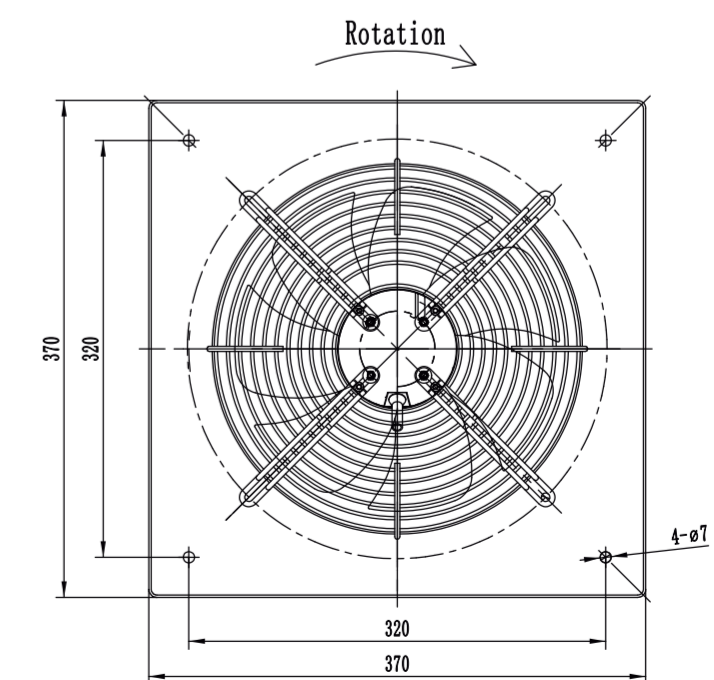
LWAD3G250ZB-7MEW-06(Blowing)



LWAD3G250ZS-7MKW-07(Suction)



LWAD3G250ZB-7MKW-08(Blowing)



LWAD-300 Series



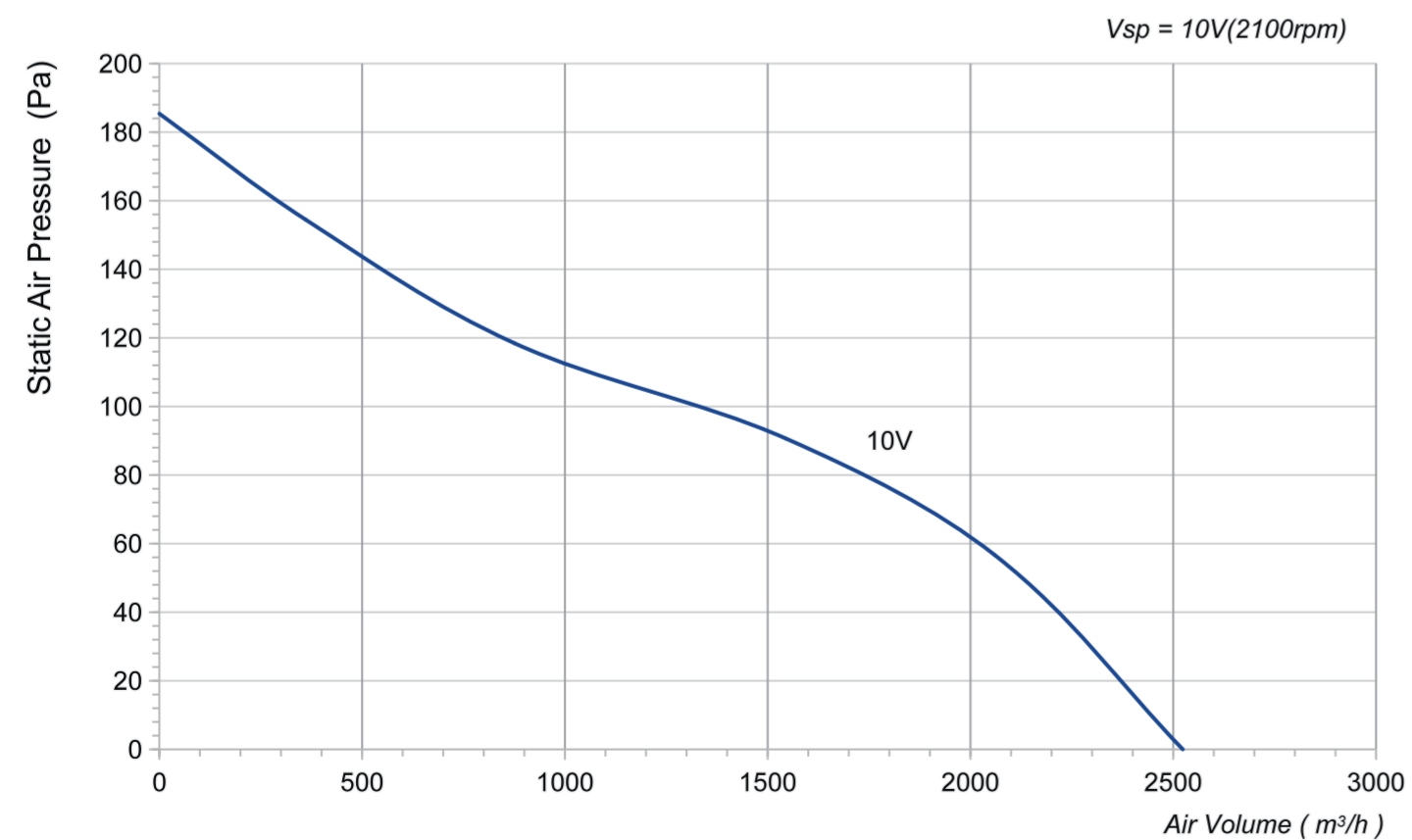
Product Characteristic

- Motor Type: BLDC Motor
- Protection Class: IP42
- Insulation class: F
- Operation Temperature: -25 °C ~ +60 °C
- Material: PA66
- Technical Feature: Control input 0-10VDC/PWM, Tech output, Locked-Rotor protection, Reverse Polarity, Over-voltage protection Soft Start Protection

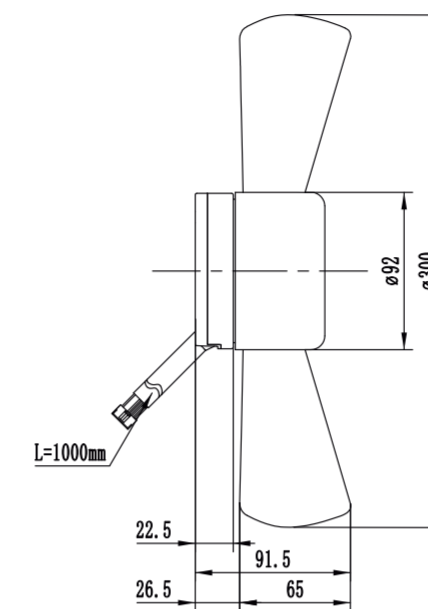


Technical Specifications

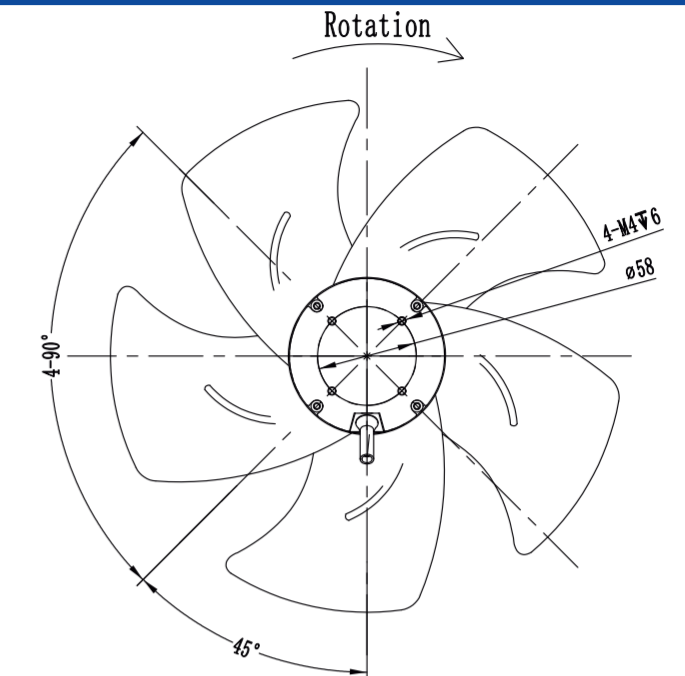
Model	Voltage (V)	Frequency (Hz)	Current (A)	Power [W(@0Pa)]	Speed (RPM)	Air Volume (m³/h)	Air Pressure (Pa)	Noise [dB(A)]
LWAD3G300ZS-5PNW-01	310	50/60	0.52	165	2100	2524	185	69
LWAD3G300ZB-5PNW-02	310	50/60	0.52	165	2100	2524	185	69
LWAD3G300ZS-5PEW-03	310	50/60	0.52	165	2100	2524	185	69
LWAD3G300ZB-5PEW-04	310	50/60	0.52	165	2100	2524	185	69
LWAD3G300ZS-5PKW-05	310	50/60	0.52	165	2100	2524	185	69
LWAD3G300ZB-5PKW-06	310	50/60	0.52	165	2100	2524	185	69



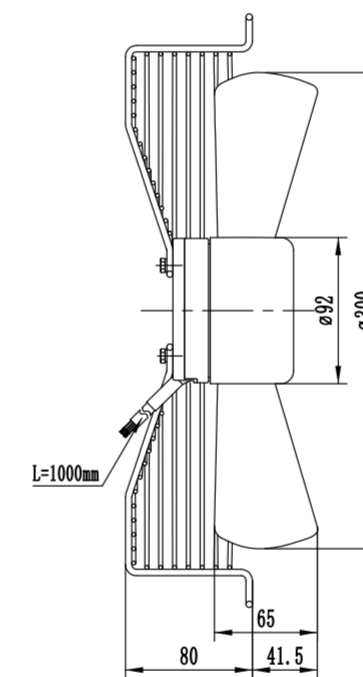
LWAD3G300ZS-5PNW-01(Suction)



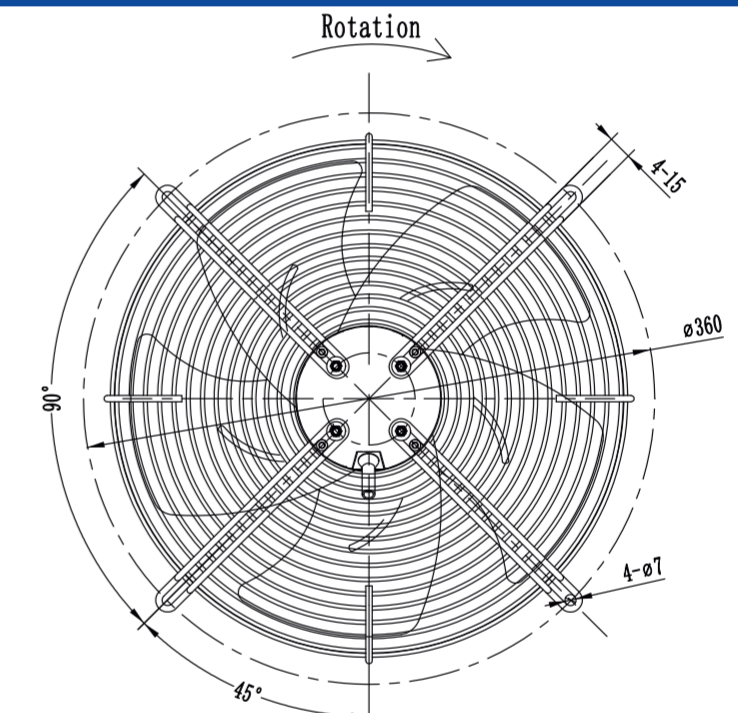
LWAD3G300ZB-5PNW-02(Blowing)



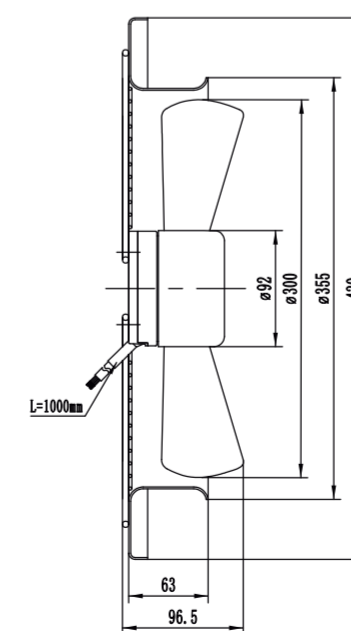
LWAD3G300ZS-5PEW-03(Suction)



LWAD3G300ZB-5PEW-04(Blowing)



LWAD3G300ZS-5PKW-05(Suction)



LWAD3G300ZB-5PKW-06(Blowing)

