



***Professional HVAC Fan
& Motors Manufacturer***

— EC Axial Flow Fan



Website

Ningbo Longwell Electric Technology Co.,Ltd

TEL:+86 (574) 6218 9863

Whatsapp:+0086 18358274663

Fax:+86 18358274663

E-mail:sales@zjlongwell.com

Web:<https://www.longwellfans.com/>

Address:#NO.100 ,South of Xuxiang River ,Ditang District, Yuyao,Ningbo
Zhejiang Province,China 315400

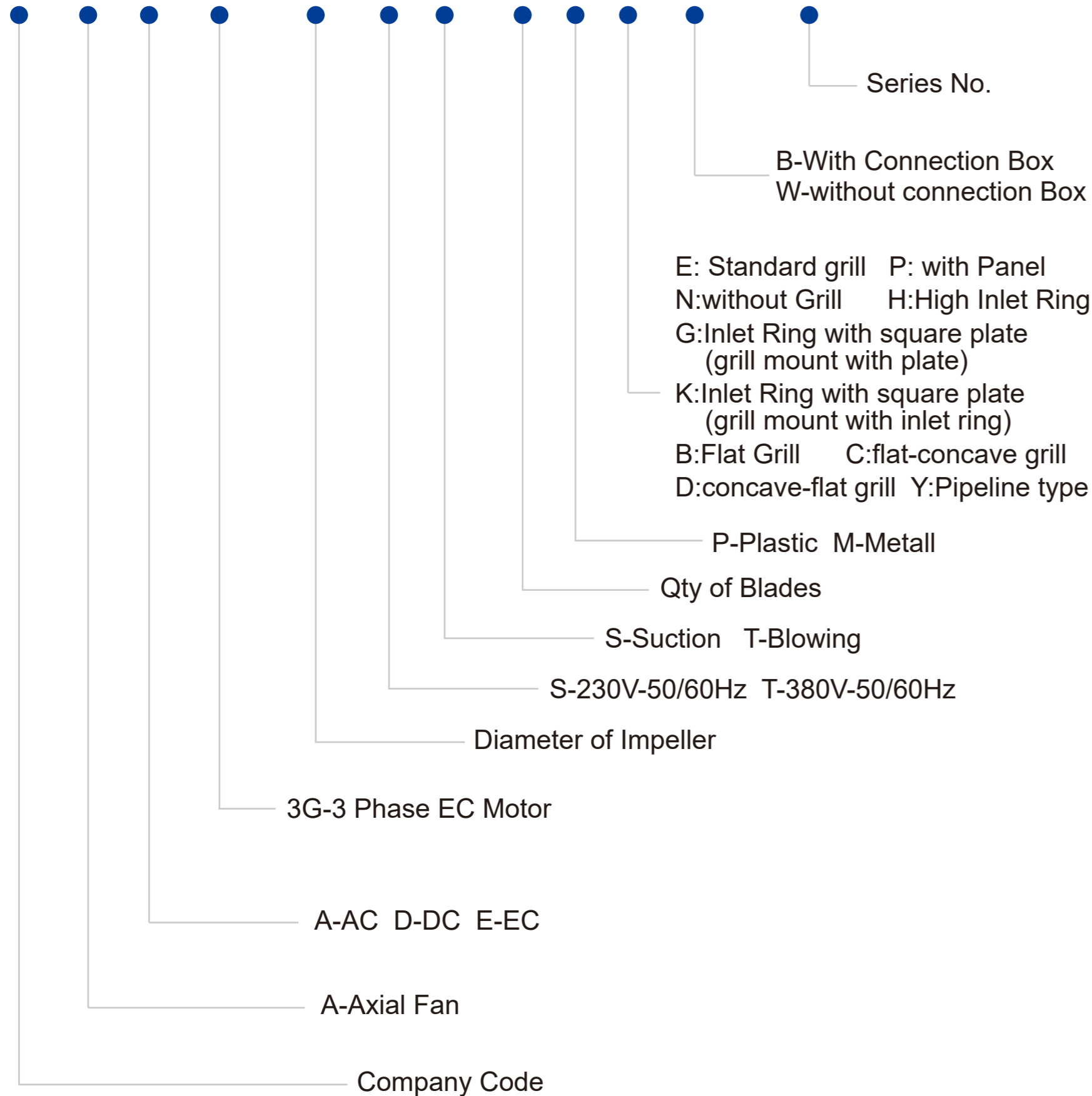


CATALOGUE

01	Type Code
02-24	EC Axial Flow Fan(Φ 200- Φ 300)
25-50	EC Axial Flow Fan(Φ 315- Φ 500)
51-64	EC Axial Flow Fan(Φ 550- Φ 630)
65-82	EC Axial Flow Fan(Φ 710- Φ 900)

Type Code

LW A E 3G 200 S S - 5 P G W - 01



EC Axial Flow Fan

Professional HVAC Fan & Motors Manufacturer



LWAE-200 Series

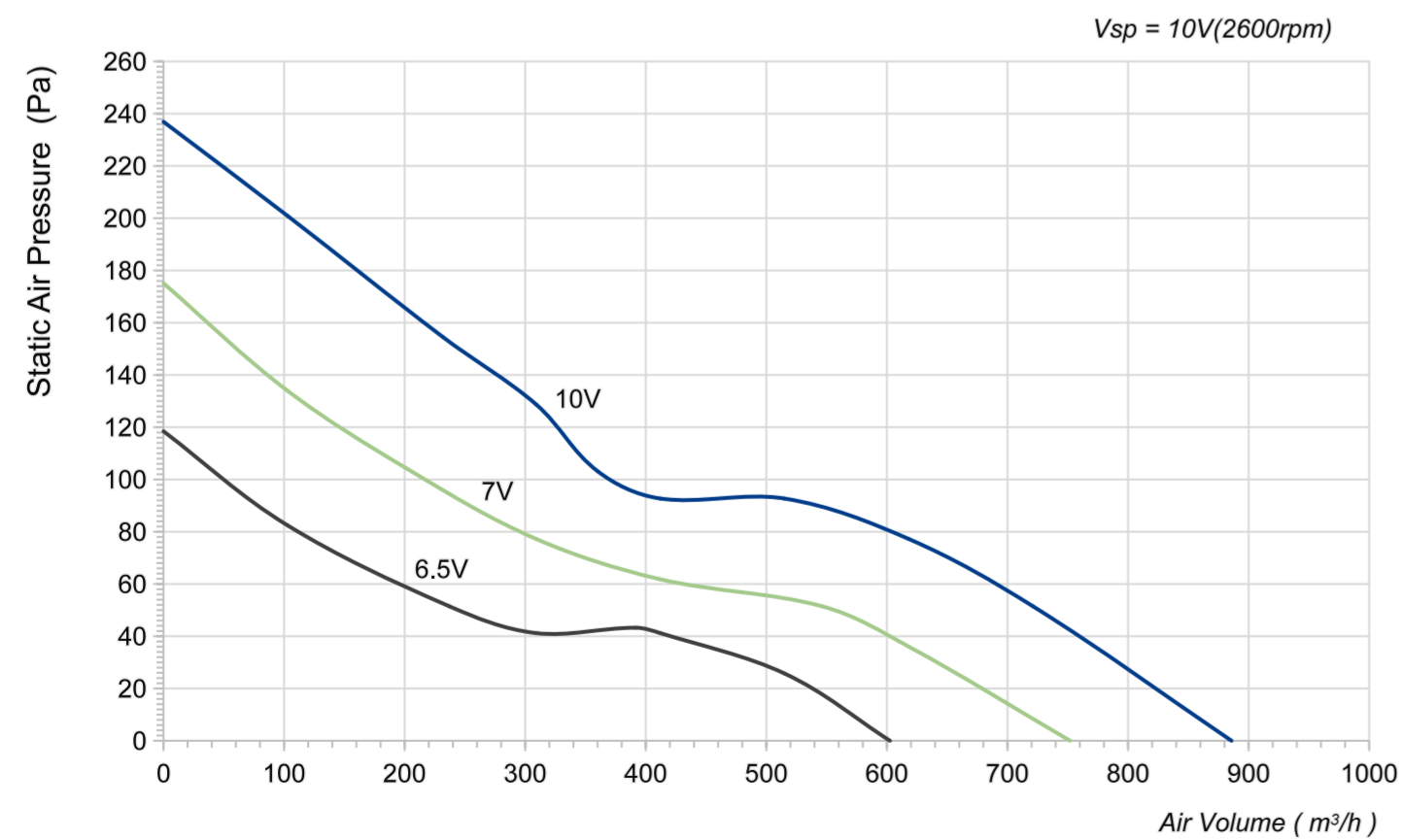
Product Characteristic

- Material: PA66
- Type of protection: IP54
- Insulation class: B
- Motor type: BLEC Motor
- Operation Temperature: -25 C ~ +60 C
- Techniical Feature: Control input 0-10VDC/PWM, Tech output, Locked-Rotor protection, Reverse Polarity Over-voltage protection, Soft Start Protection.

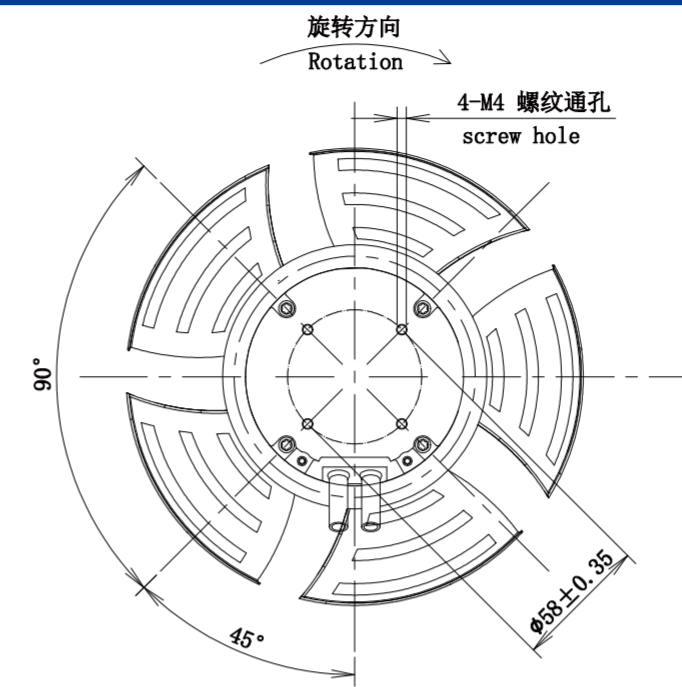


Technical Specifications

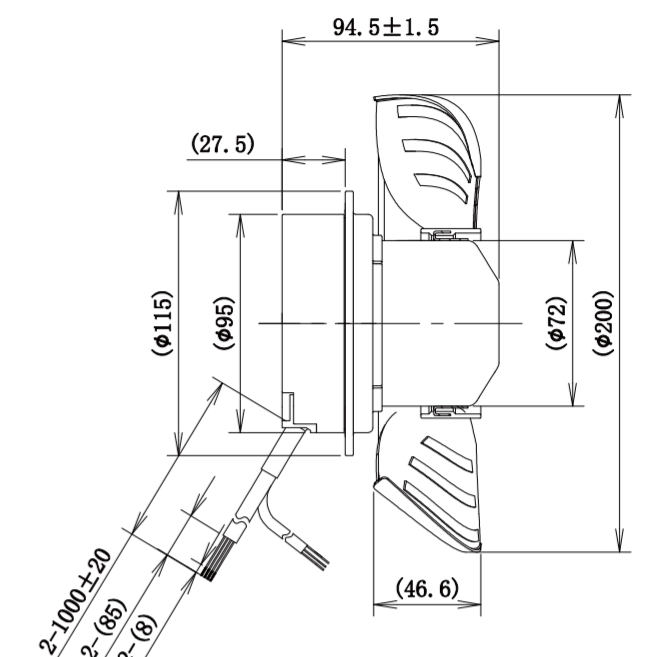
Model	Voltage (V)	Frequency (Hz)	Current (A)	Power [W(@0Pa)]	Speed (RPM)	Air Volume (m³/h)	Noise [dB(A)]
LWAE3G200SS-5PNW-01	220	50/60	0.6	80	2600	886	54
LWAE3G200ST-5PNW-02	220	50/60	0.6	80	2600	886	54
LWAE3G200SS-5PEW-03	220	50/60	0.6	80	2600	886	54
LWAE3G200ST-5PEW-04	220	50/60	0.6	80	2600	886	54
LWAE3G200SS-5PGW-05	220	50/60	0.6	80	2600	886	54
LWAE3G200ST-5PGW-06	220	50/60	0.6	80	2600	886	54



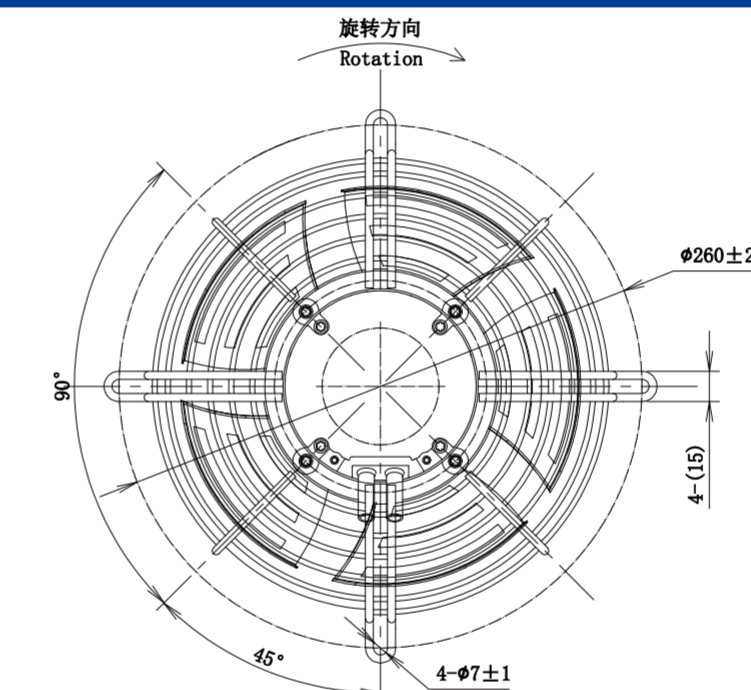
LWAE3G200SS-5PNW-01(Suction)



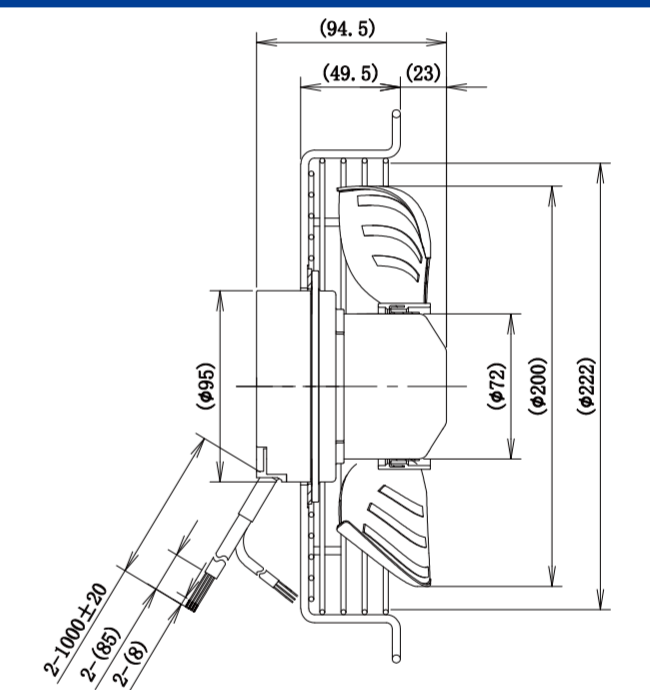
LWAE3G200ST-5PNW-02(Blowing)



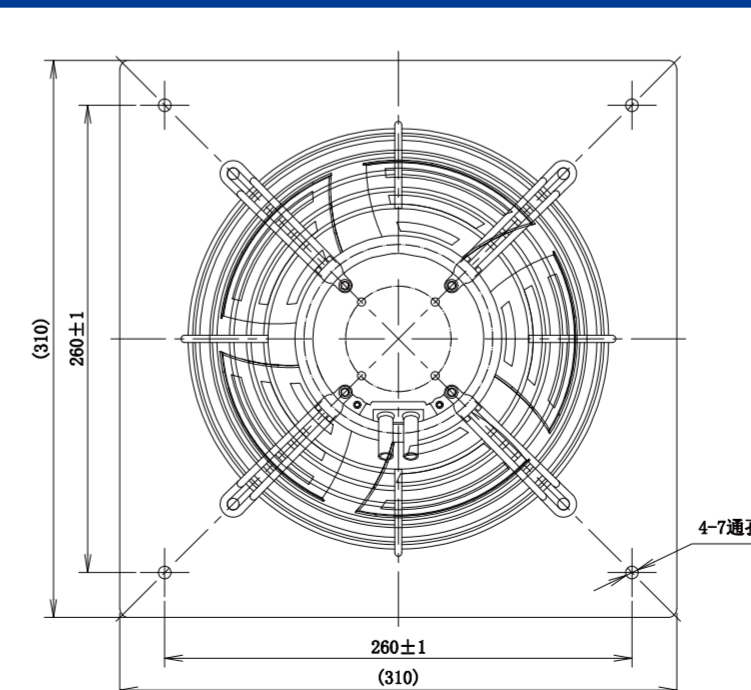
LWAE3G200SS-5PEW-03(Suction)



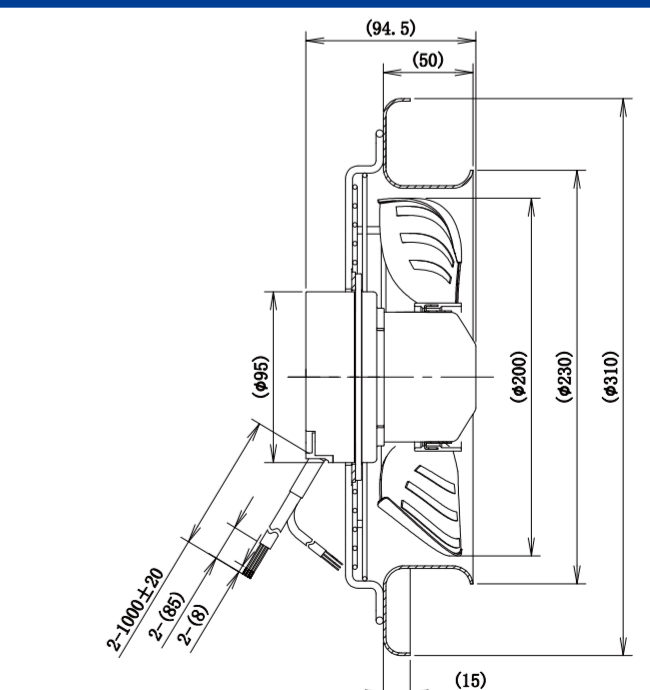
LWAE3G200ST-5PEW-04(Blowing)



LWAE3G200SS-5PGW-05(Suction)



LWAE3G200ST-5PGW-06(Blowing)



LWAE-200 Series

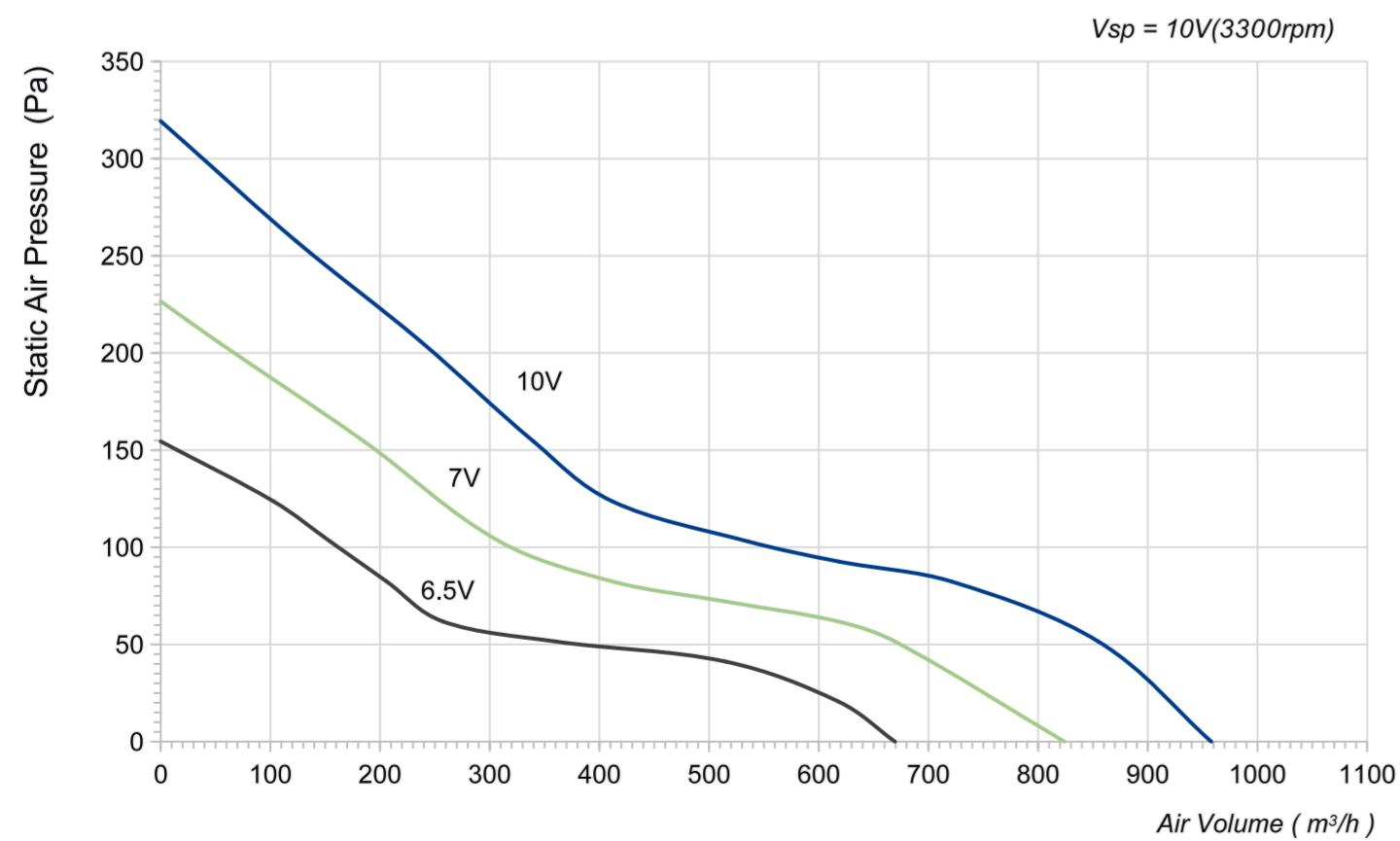
Product Characteristic

- Material: Sheet steel
- Type of protection: IP54
- Insulation class: B
- Motor type: BLEC Motor
- Operation Temperature: -25 C ~ +60 C
- Techniical Feature: Control input 0-10VDC/PWM, Tech output, Locked-Rotor protection, Reverse Polarity Over-voltage protection, Soft Start Protection.

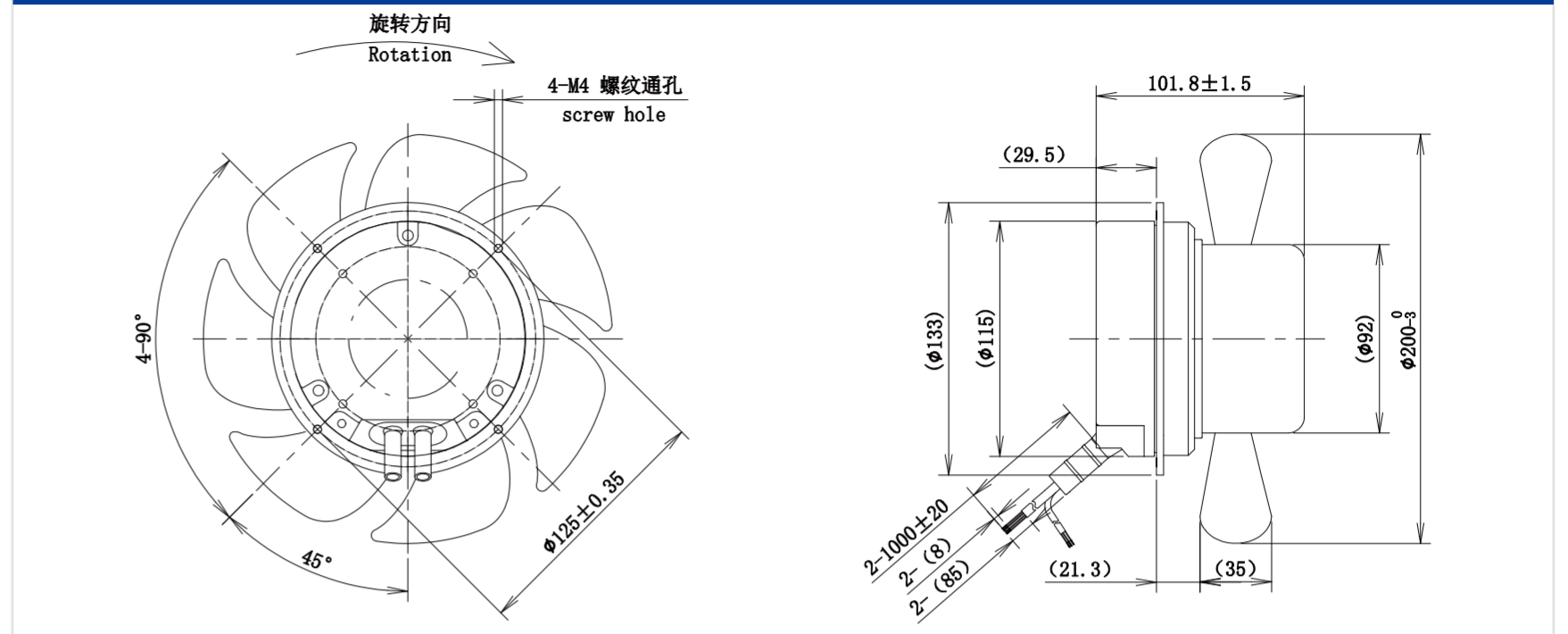


Technical Specifications

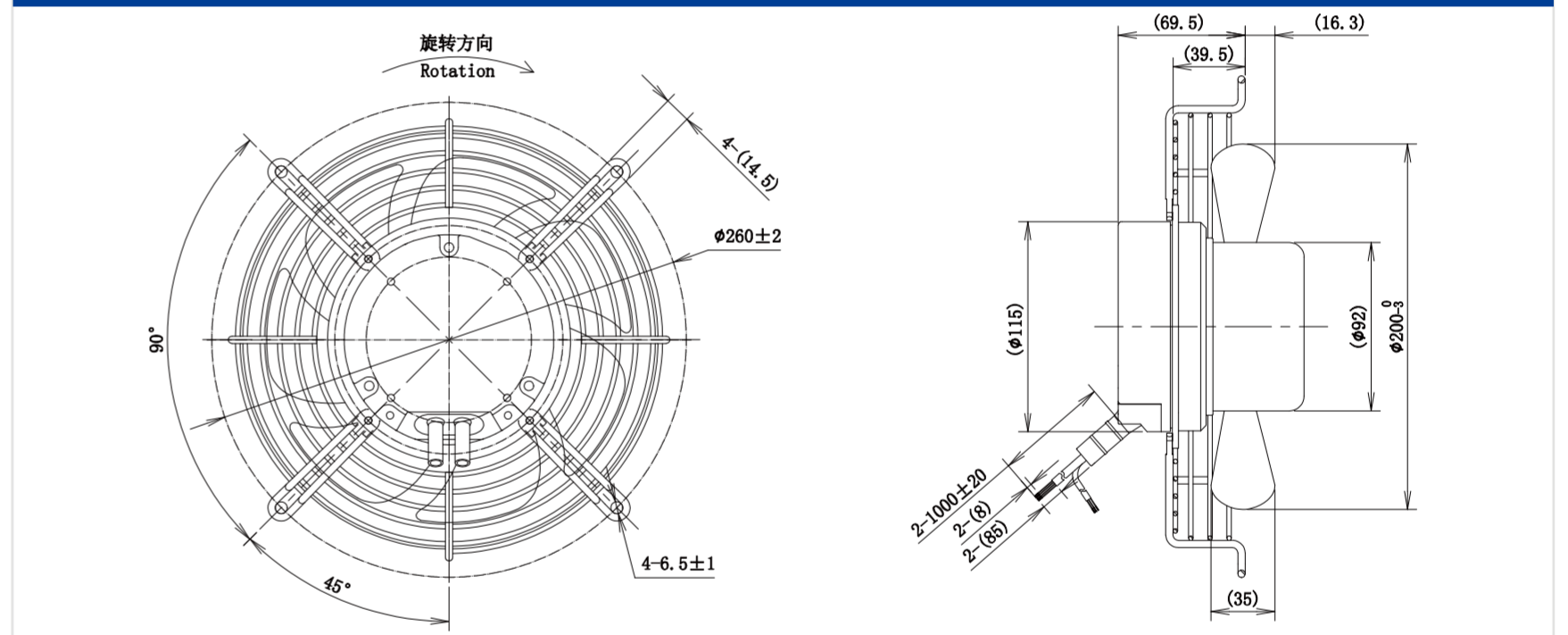
Model	Voltage (V)	Frequency (Hz)	Current (A)	Power [W(@0Pa)]	Speed (RPM)	Air Volume (m³/h)	Noise [dB(A)]
LWAE3G200SS-7MNW-07	220	50/60	0.4	55	3300	958	60
LWAE3G200ST-7MNW-08	220	50/60	0.4	55	3300	958	60
LWAE3G200SS-7MEW-09	220	50/60	0.4	55	3300	958	60
LWAE3G200ST-7MEW-10	220	50/60	0.4	55	3300	958	60
LWAE3G200SS-7MGW-11	220	50/60	0.4	55	3300	958	60
LWAE3G200ST-7MGW-12	220	50/60	0.4	55	3300	958	60



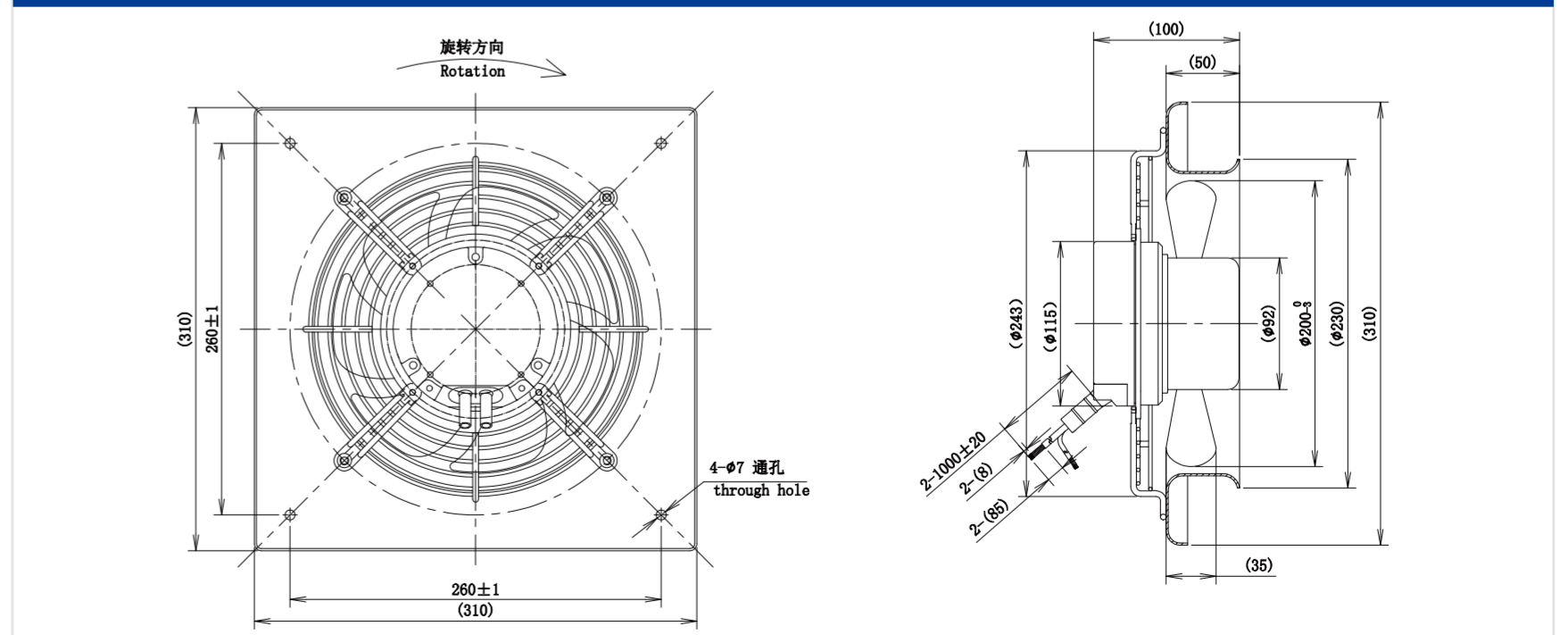
LWAE3G200SS-7MNW-07(Suction) LWAE3G200ST-7MNW-08(Blowing)



LWAE3G200SS-7MEW-09(Suction) LWAE3G200ST-7MEW-10(Blowing)



LWAE3G200SS-7MGW-11(Suction) LWAE3G200ST-7MGW-12(Blowing)



LWAE-200 Series

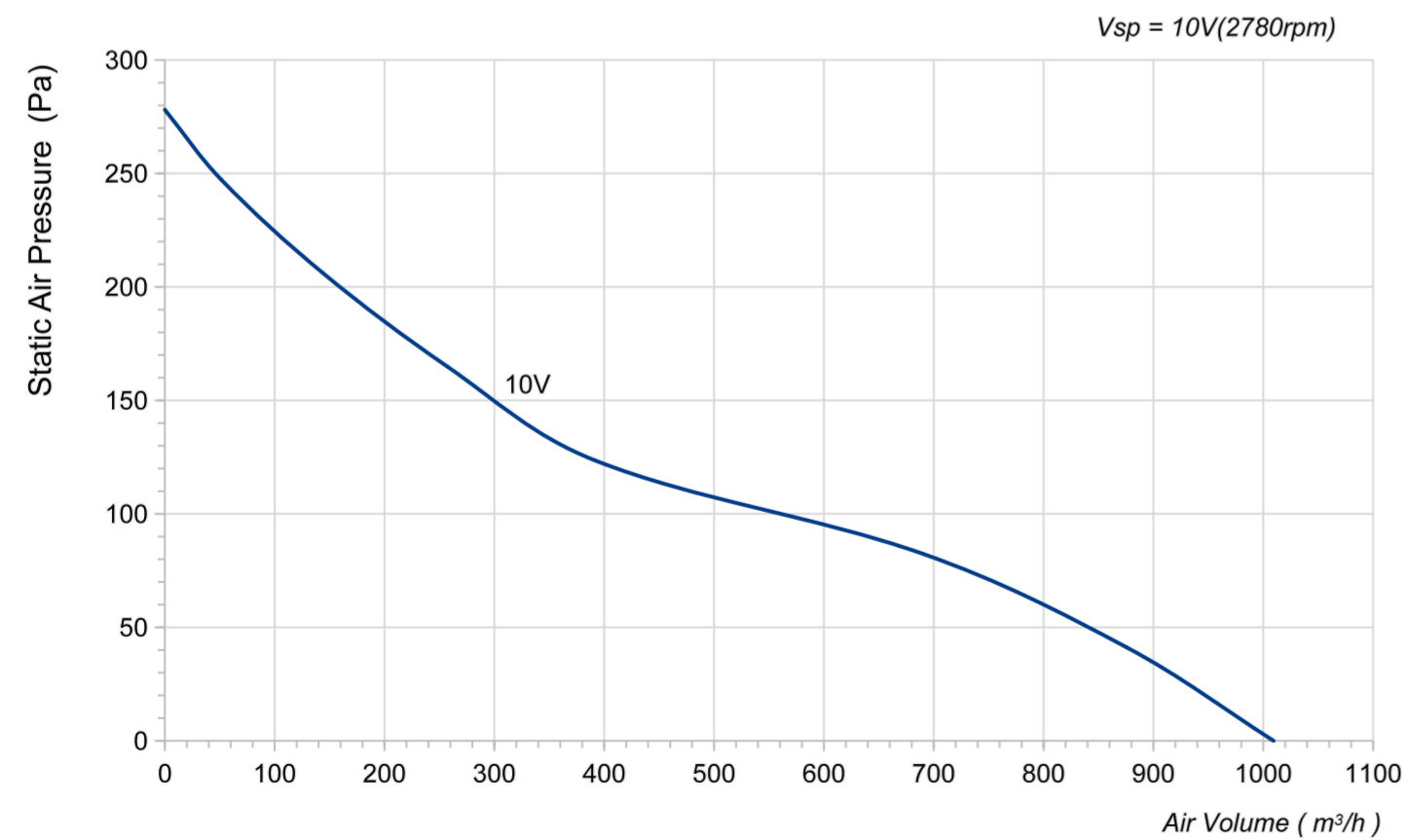
Product Characteristic

- Material: PA66
- Type of protection: IP55
- Insulation class: B
- Motor type: BLEC Motor
- Operation Temperature: -25 C ~ +60 C
- Techniacal Feature: Control input 0-10VDC/PWM, Tech output, Locked-Rotor protection, Reverse Polarity Over-voltage protection, Soft Start Protection.

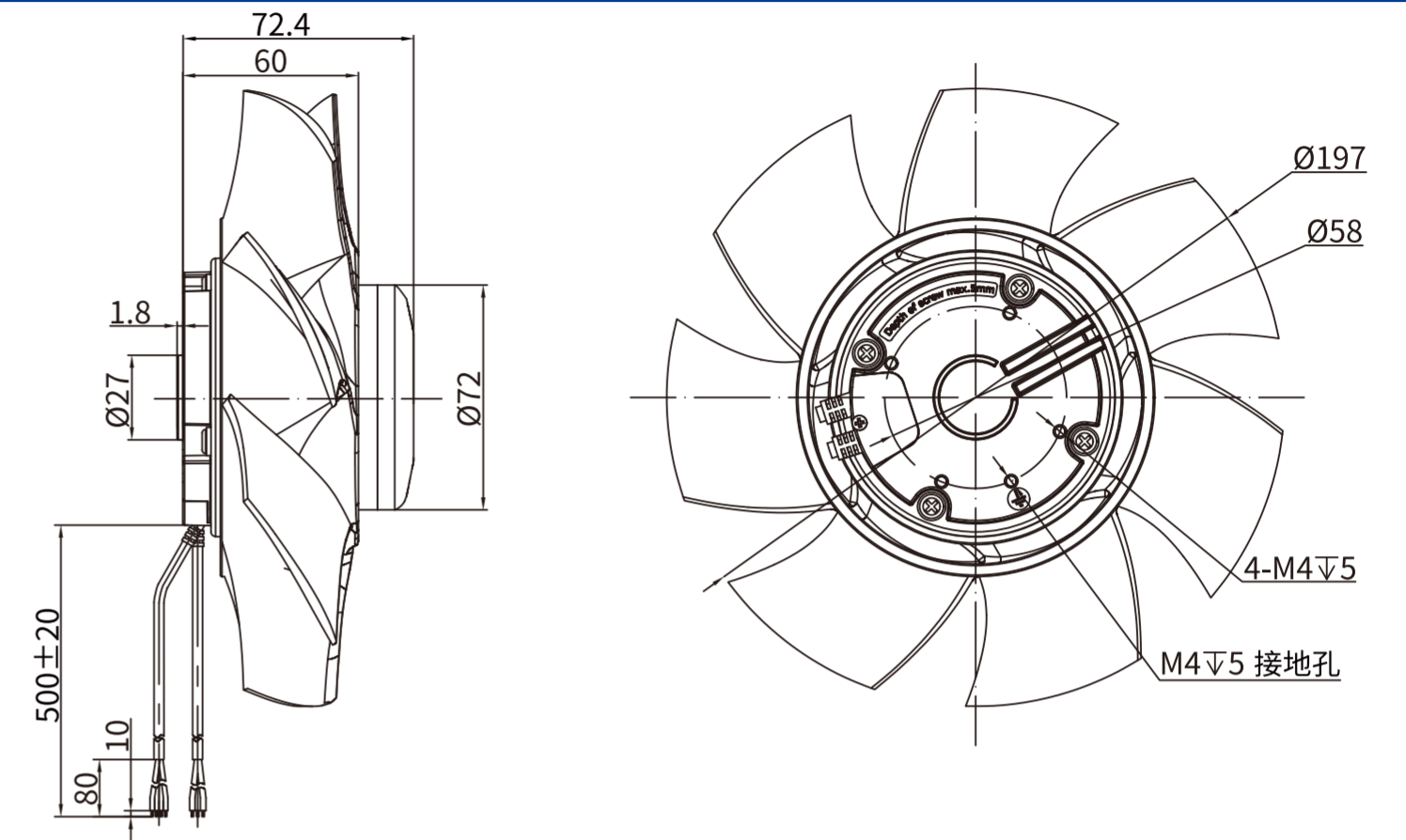


Technical Specifications

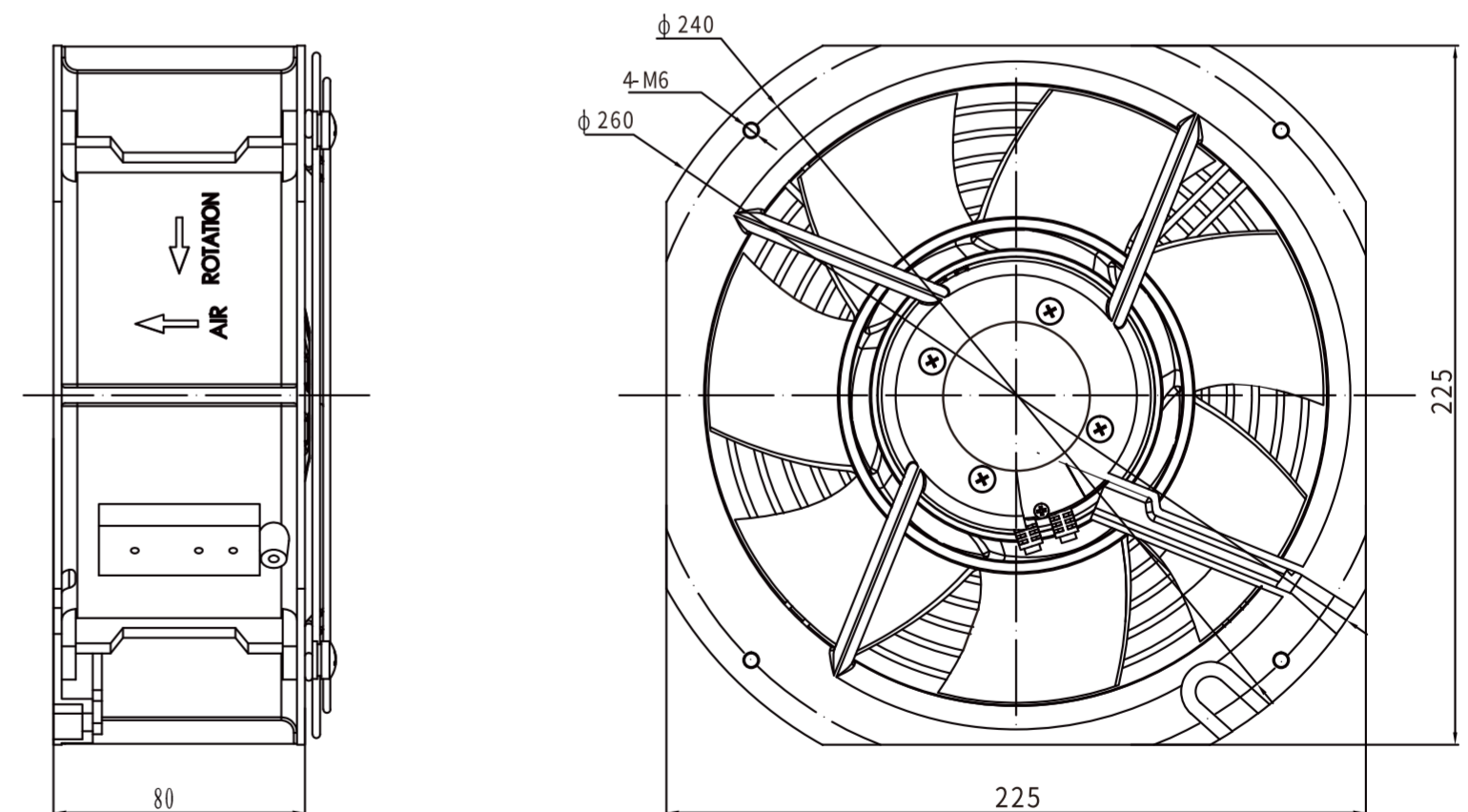
Model	Voltage (V)	Frequency (Hz)	Current (A)	Power [W(@0Pa)]	Speed (RPM)	Air Volume (m³/h)	Noise [dB(A)]
LWAE3G200SS-7PNW-13	220	50/60	0.4	55	2780	1009	60
LWAE3G200SS-7PKW-14	220	50/60	0.4	55	2780	1009	60



LWAE3G200SS-7PNW-13



LWAE3G200SS-7PKW-14



LWAE-200 Series

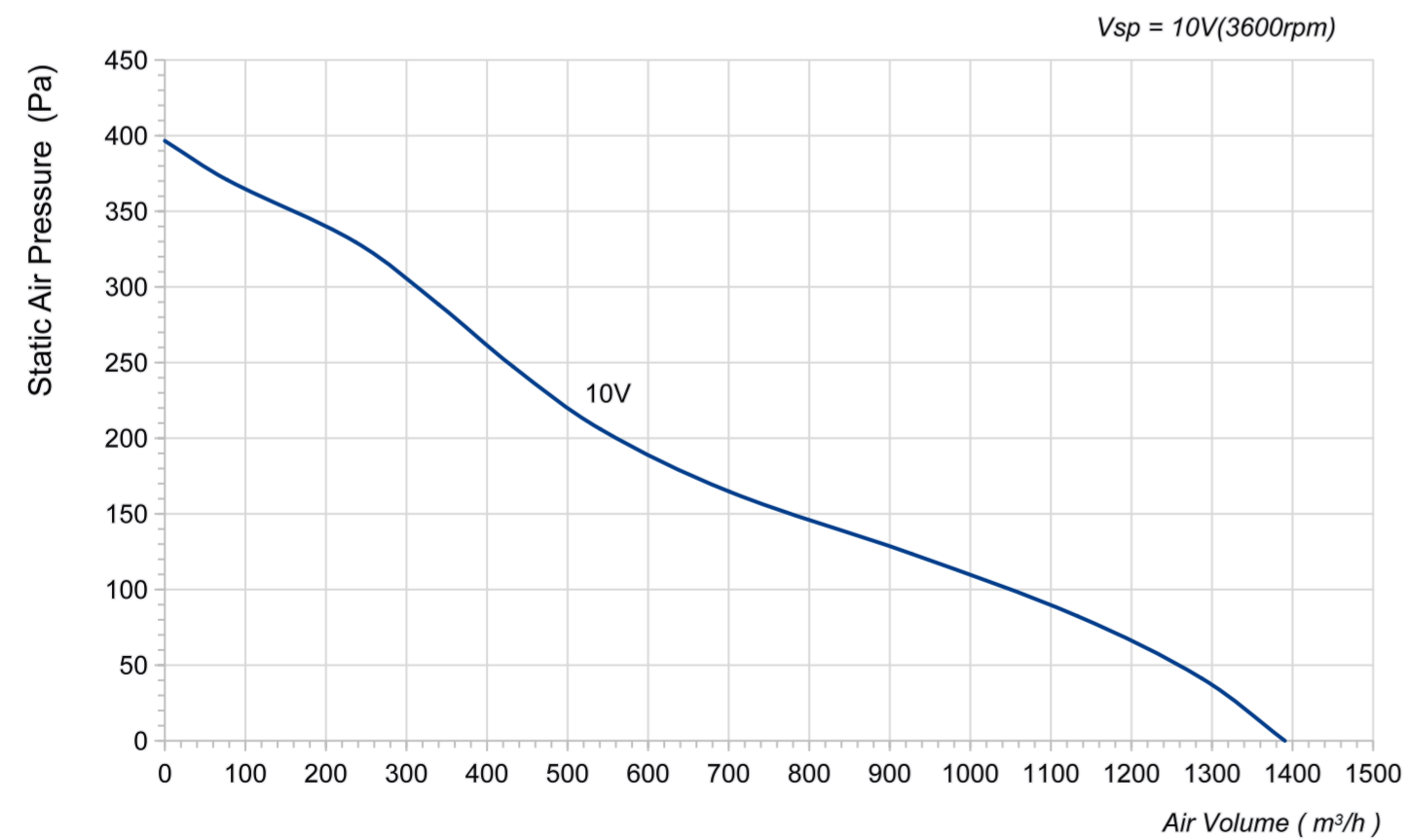
Product Characteristic

- Material: PA66
- Type of protection: IP55
- Insulation class: B
- Motor type: BLEC Motor
- Operation Temperature: -25 C ~ +60 C
- Techniactal Feature: Control input 0-10VDC/PWM, Tech output, Locked-Rotor protection, Reverse Polarity Over-voltage protection, Soft Start Protection.

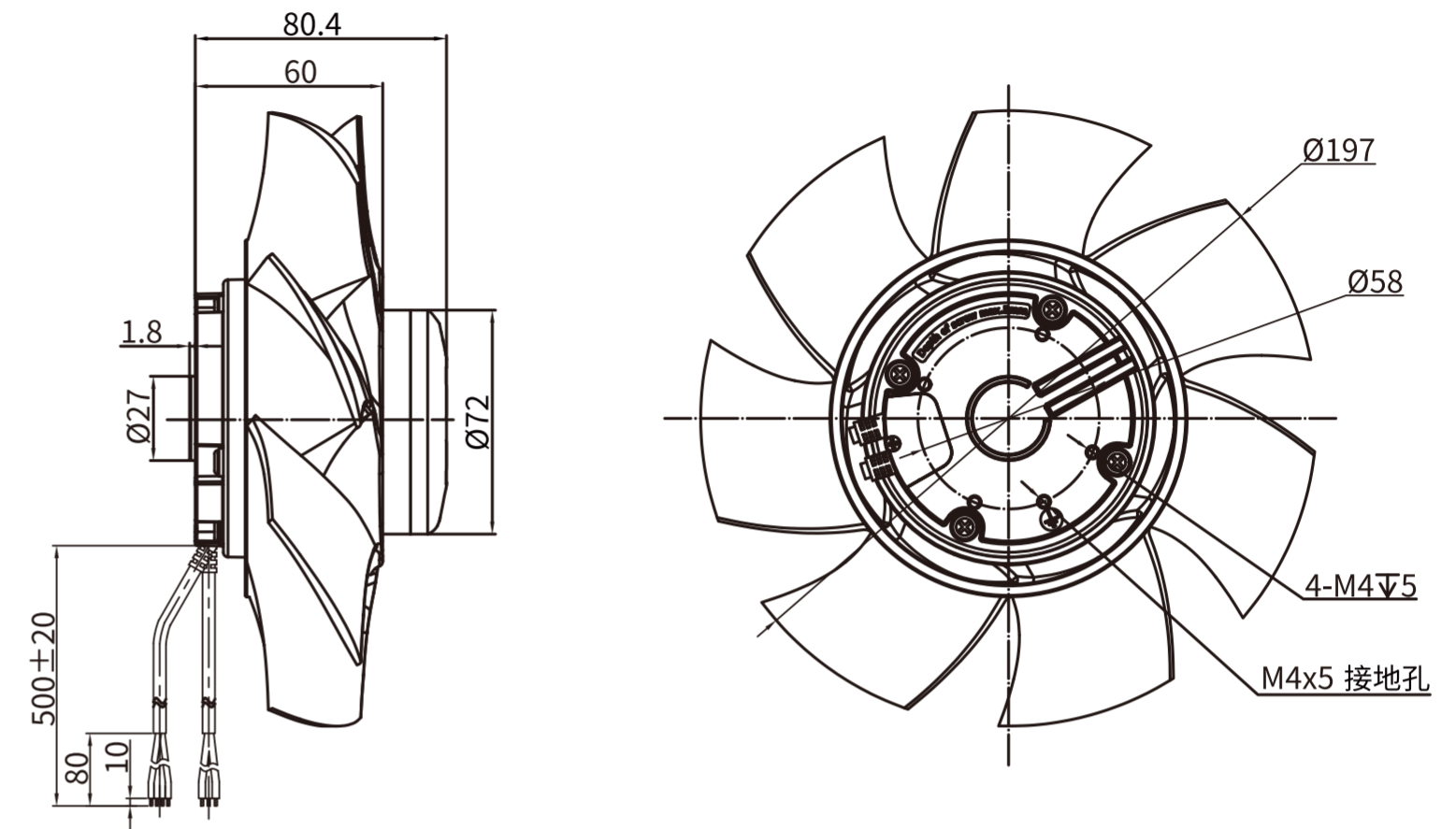


Technical Specifications

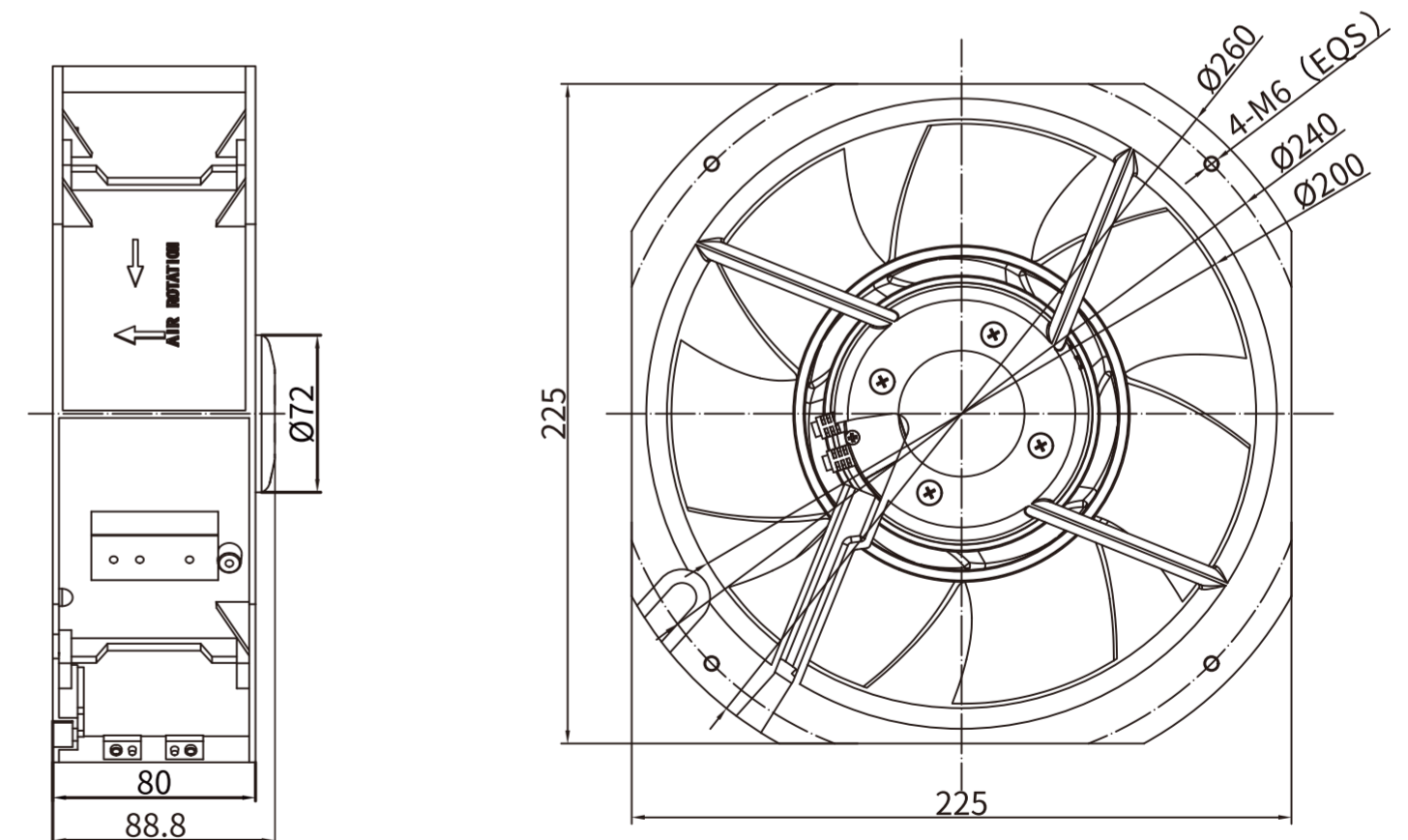
Model	Voltage (V)	Frequency (Hz)	Current (A)	Power [W(@0Pa)]	Speed (RPM)	Air Volume (m³/h)	Noise [dB(A)]
LWAE3G200SS-7PNW-15	220	50/60	0.85	115	3600	1391	64
LWAE3G200SS-7PKW-16	220	50/60	0.85	115	3600	1391	64



LWAE3G200SS-7PNW-15



LWAE3G200SS-7PKW-16



LWAE-250 Series

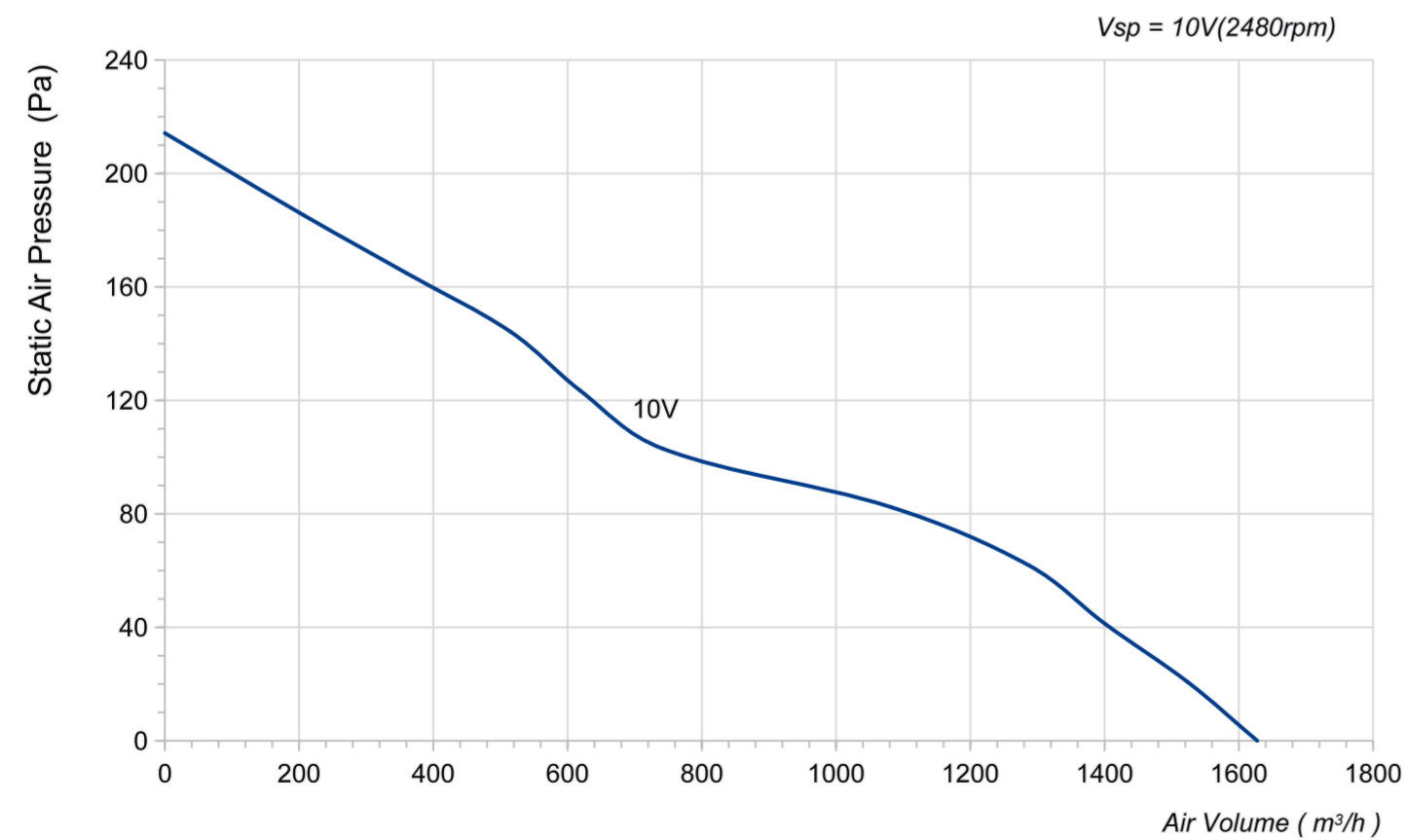
Product Characteristic

- Material: PA66
- Type of protection: IP55
- Insulation class: B
- Motor type: BLEC Motor
- Operation Temperature: -25 C ~ +60 C
- Techniacal Feature: Control input 0-10VDC/PWM, Tech output, Locked-Rotor protection, Reverse Polarity Over-voltage protection, Soft Start Protection.

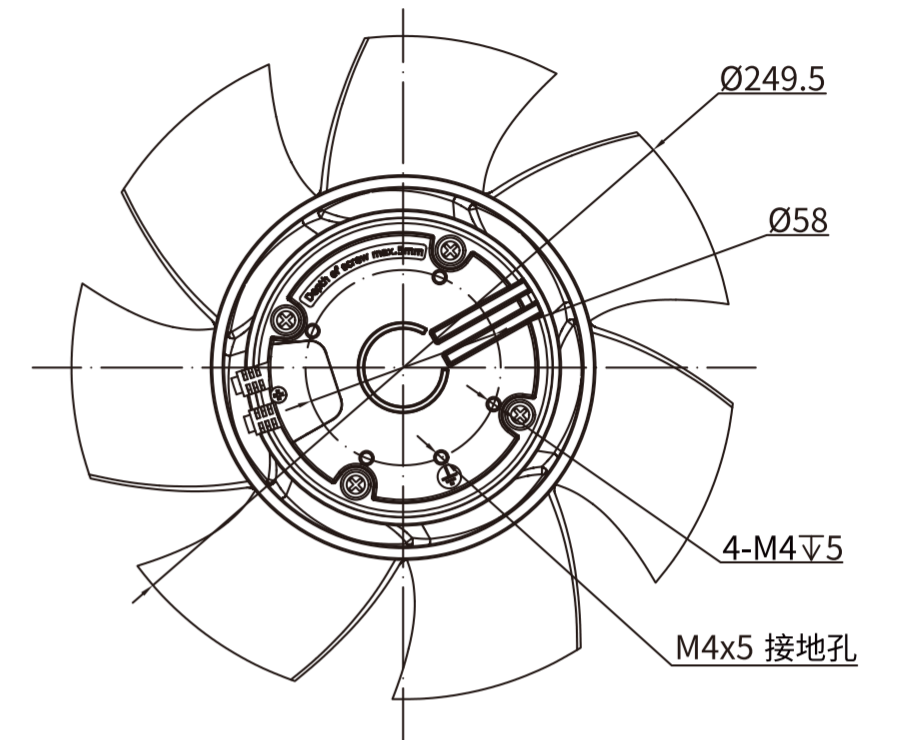
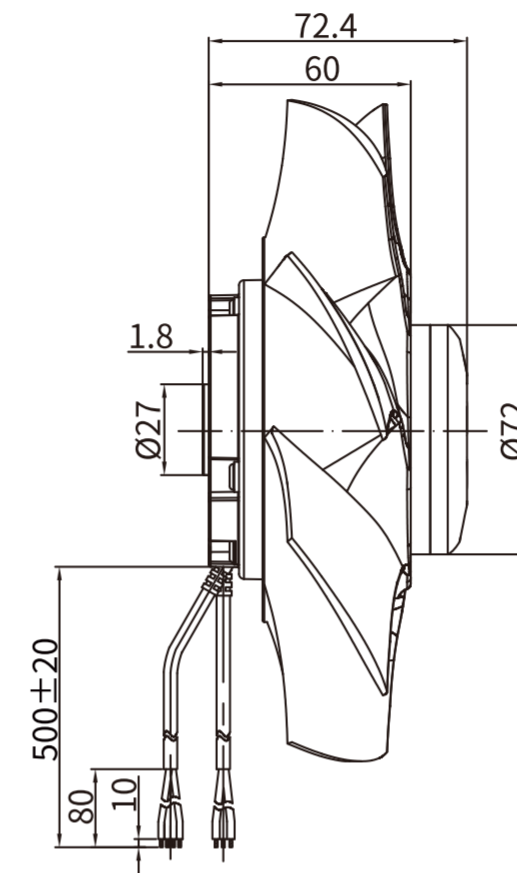


Technical Specifications

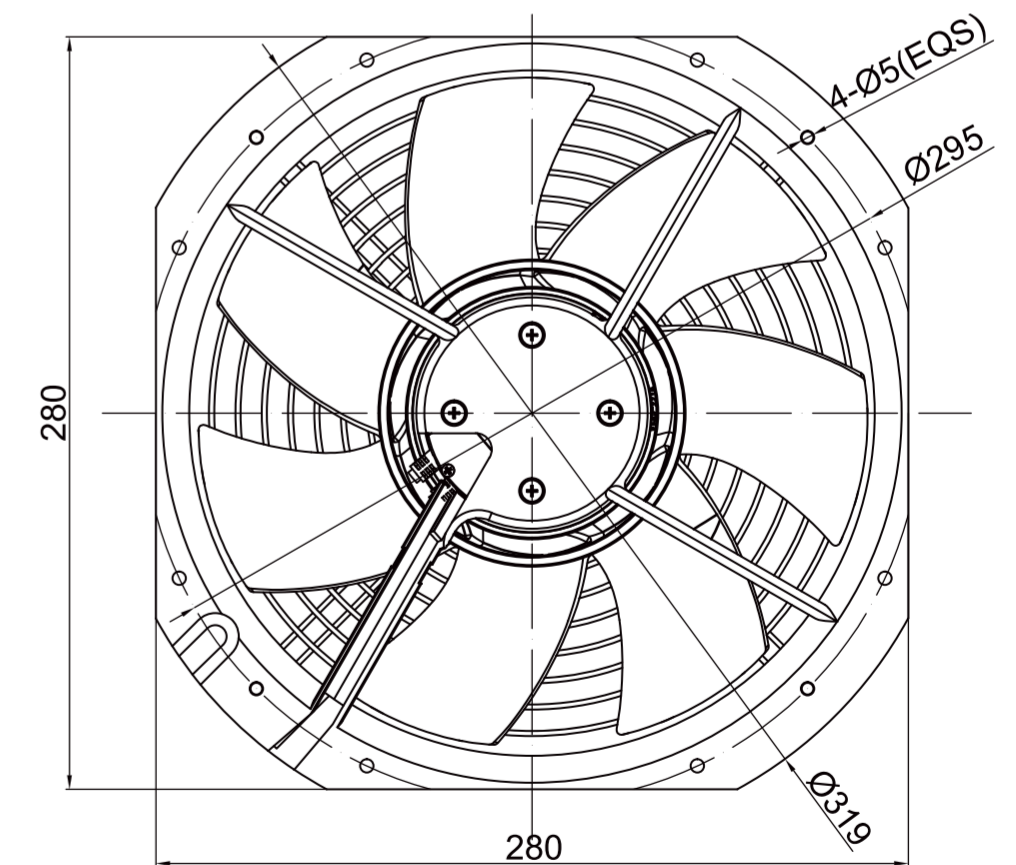
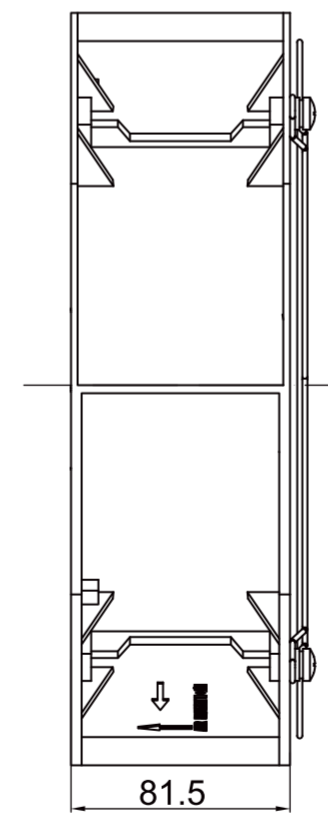
Model	Voltage (V)	Frequency (Hz)	Current (A)	Power [W(@0Pa)]	Speed (RPM)	Air Volume (m³/h)	Noise [dB(A)]
LWAE3G250SS-7PNW-07	220	50/60	0.61	85	2480	1627	60
LWAE3G250SS-7PKW-08	220	50/60	0.61	85	2480	1627	60



LWAE3G250SS-7PNW-07



LWAE3G250SS-7PKW-08



LWAE-250 Series

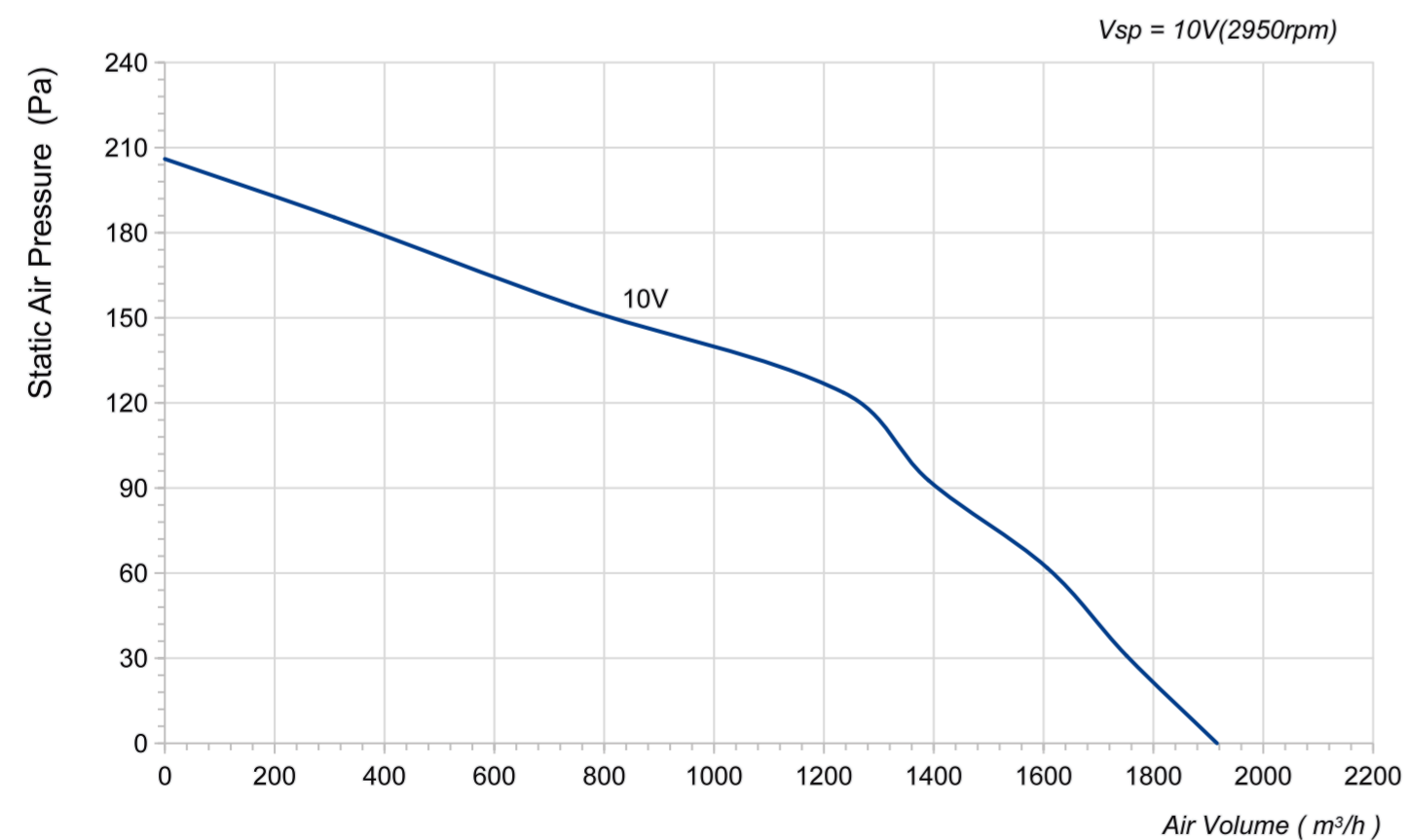
Product Characteristic

- Material: PA66
- Type of protection: IP55
- Insulation class: B
- Motor type: BLEC Motor
- Operation Temperature: -25 C ~ +60 C
- Techniical Feature: Control input 0-10VDC/PWM, Tech output, Locked-Rotor protection, Reverse Polarity Over-voltage protection, Soft Start Protection.

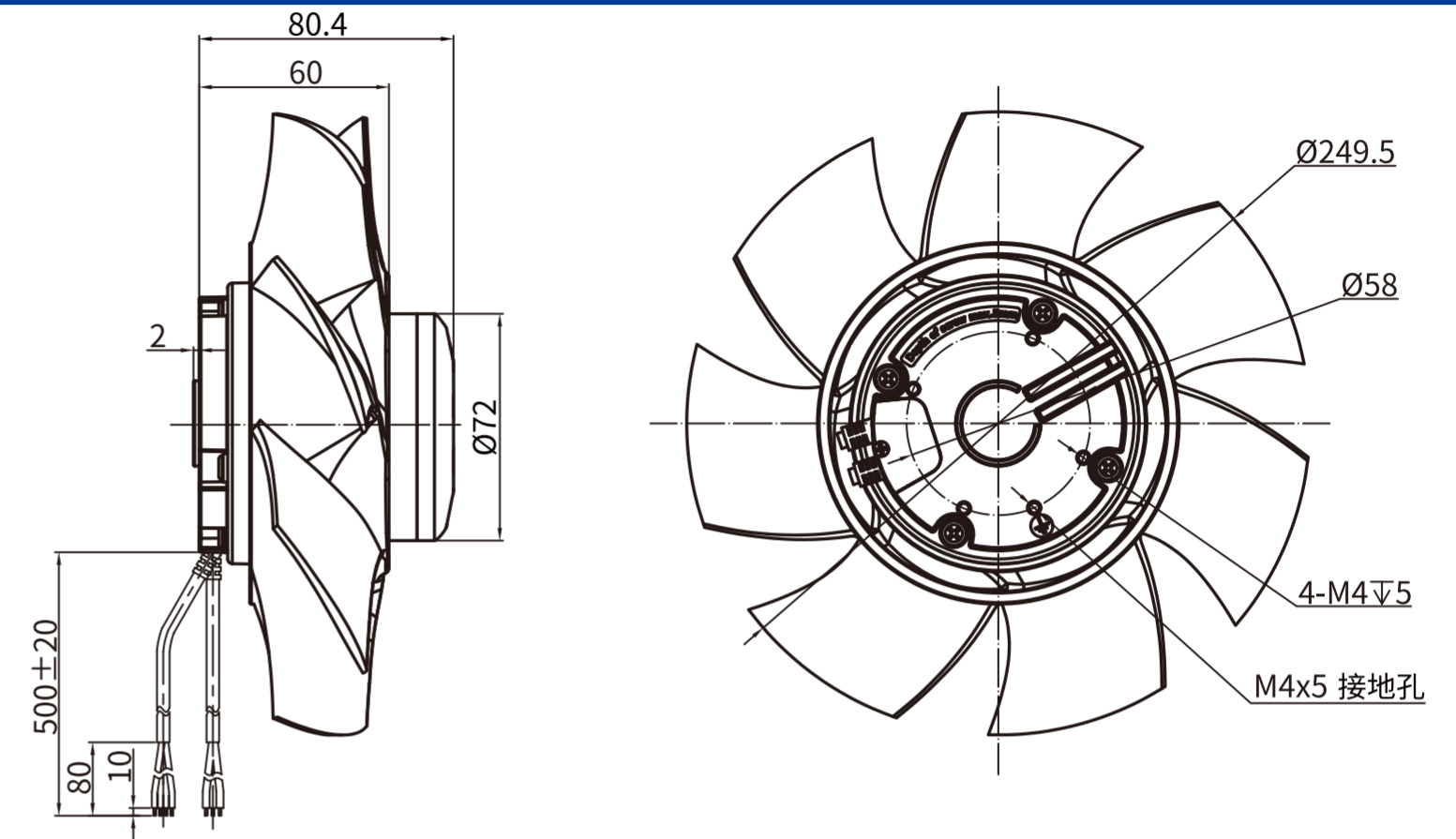


Technical Specifications

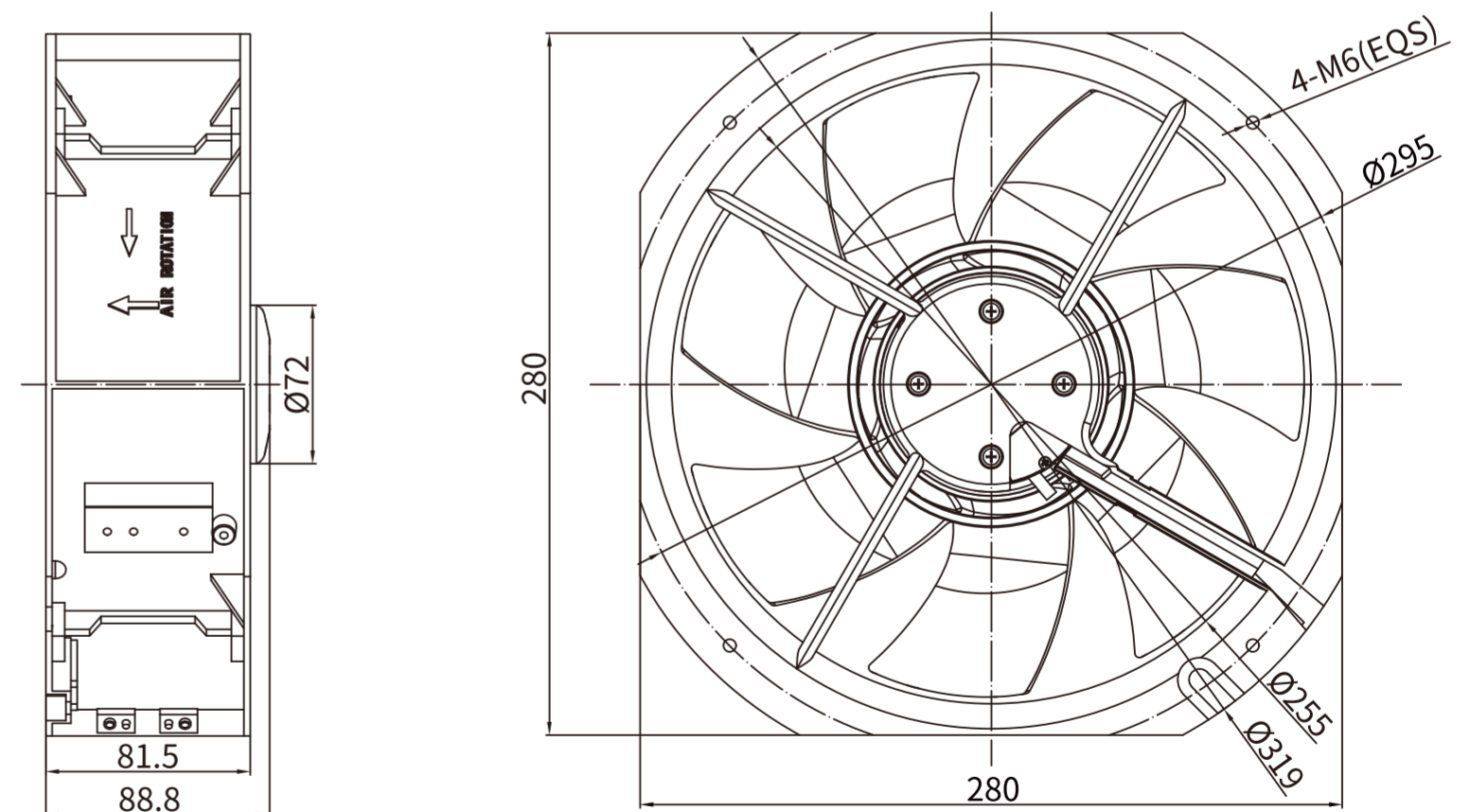
Model	Voltage (V)	Frequency (Hz)	Current (A)	Power [W(@0Pa)]	Speed (RPM)	Air Volume (m³/h)	Noise [dB(A)]
LWAE3G250SS-7PNW-09	220	50/60	0.85	115	2950	1916	60
LWAE3G250SS-7PKW-10	220	50/60	0.85	115	2950	1916	60



LWAE3G250SS-7PNW-09



LWAE3G250SS-7PKW-10



LWAE-250 Series



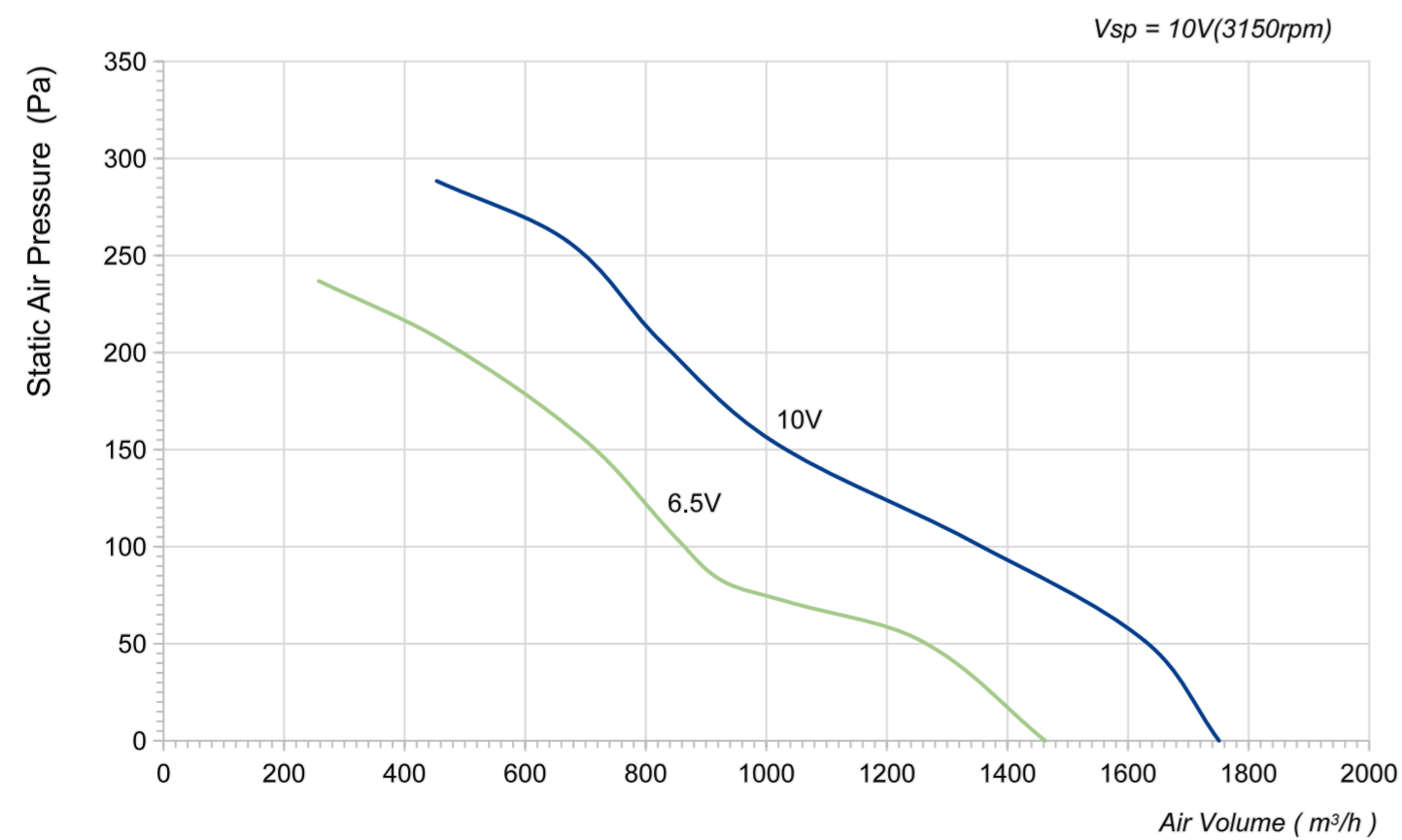
Product Characteristic

- Material: Sheet steel
- Type of protection: IP54
- Insulation class: B
- Motor type: BLEC Motor
- Operation Temperature: -25 C ~ +60 C
- Techniical Feature: Control input 0-10VDC/PWM, Tech output, Locked-Rotor protection, Reverse Polarity Over-voltage protection, Soft Start Protection.

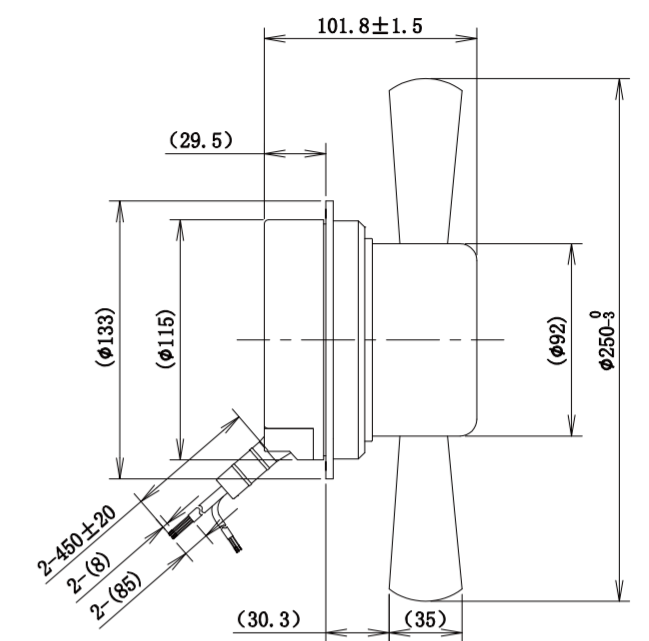
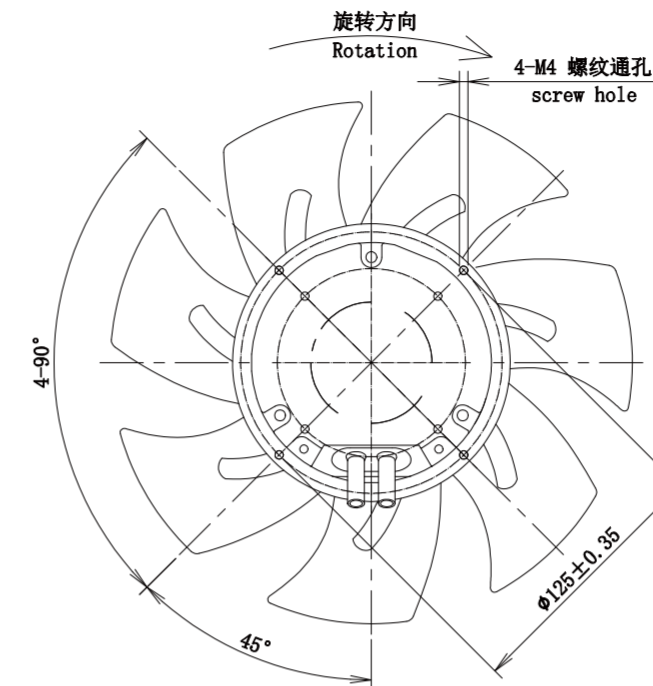


Technical Specifications

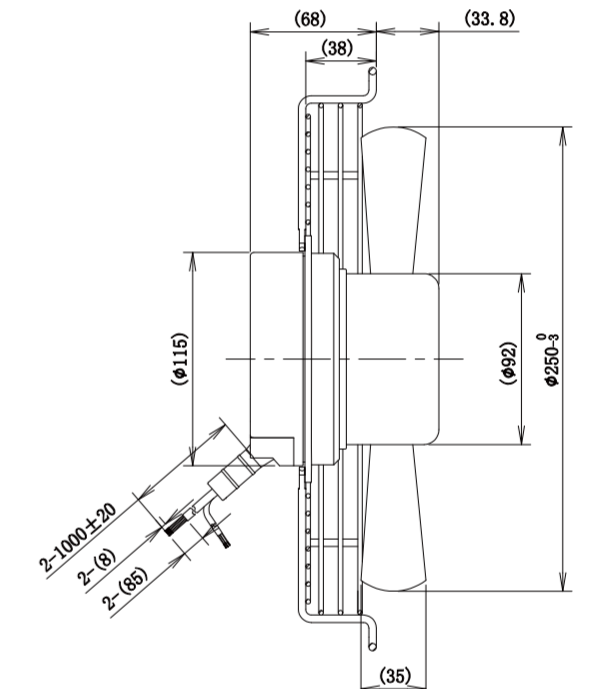
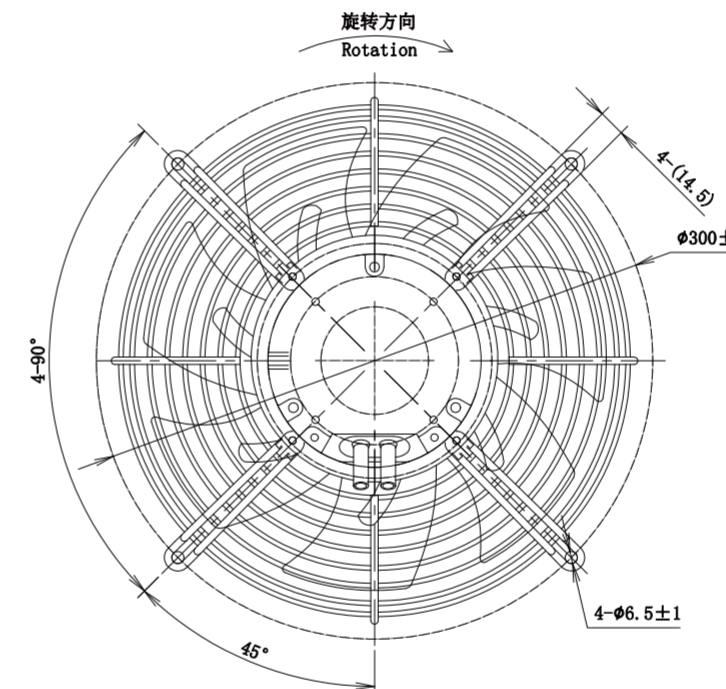
Model	Voltage (V)	Frequency (Hz)	Current (A)	Power [W(@0Pa)]	Speed (RPM)	Air Volume (m³/h)	Noise [dB(A)]
LWAE3G250SS-7MNW-01	220	50/60	0.9	135	3150	1751	69
LWAE3G250ST-7MNW-02	220	50/60	0.9	135	3150	1751	69
LWAE3G250SS-7MEW-03	220	50/60	0.9	135	3150	1751	69
LWAE3G250ST-7MEW-04	220	50/60	0.9	135	3150	1751	69
LWAE3G250SS-7MGW-05	220	50/60	0.9	135	3150	1751	69
LWAE3G250ST-7MGW-06	220	50/60	0.9	135	3150	1751	69



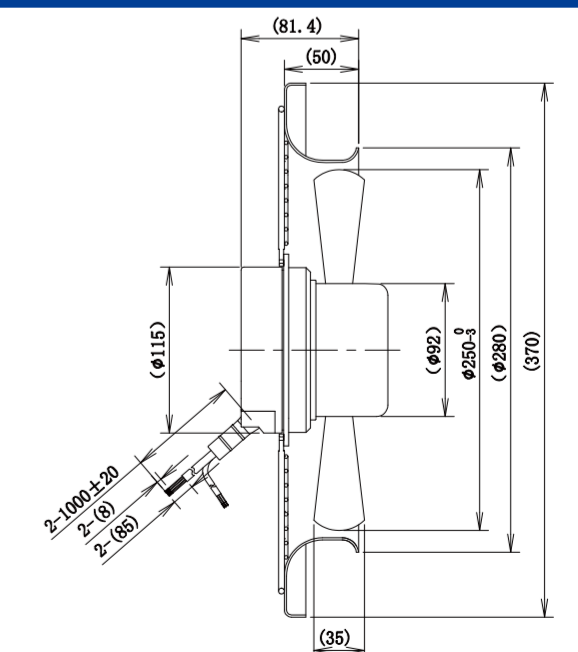
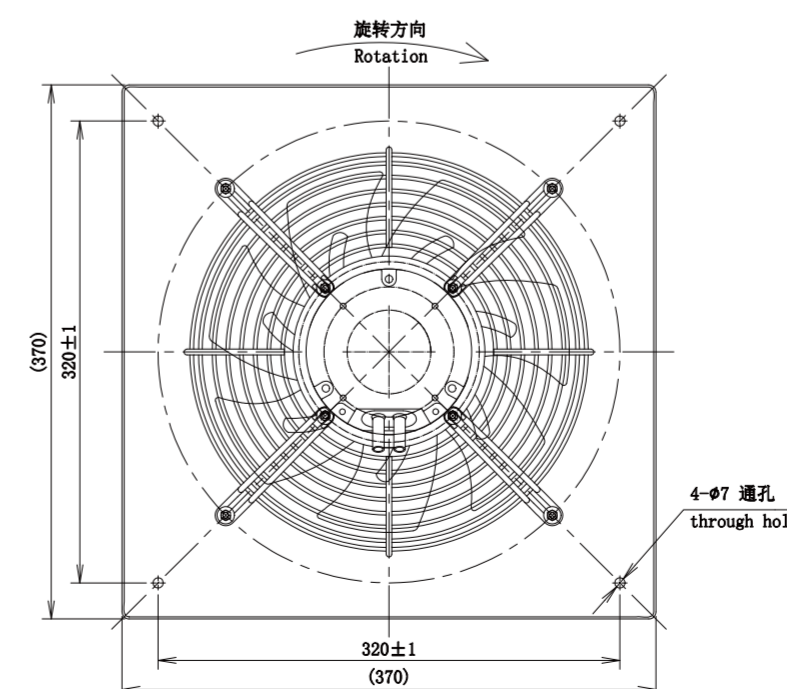
LWAE3G250SS-7MNW-01(Suction) LWAE3G250ST-7MNW-02(Blowing)



LWAE3G250SS-7MEW-03(Suction) LWAE3G250ST-7MEW-04(Blowing)



LWAE3G250SS-7MGW-05(Suction) LWAE3G250ST-7MGW-06(Blowing)



LWAE-300 Series



Product Characteristic

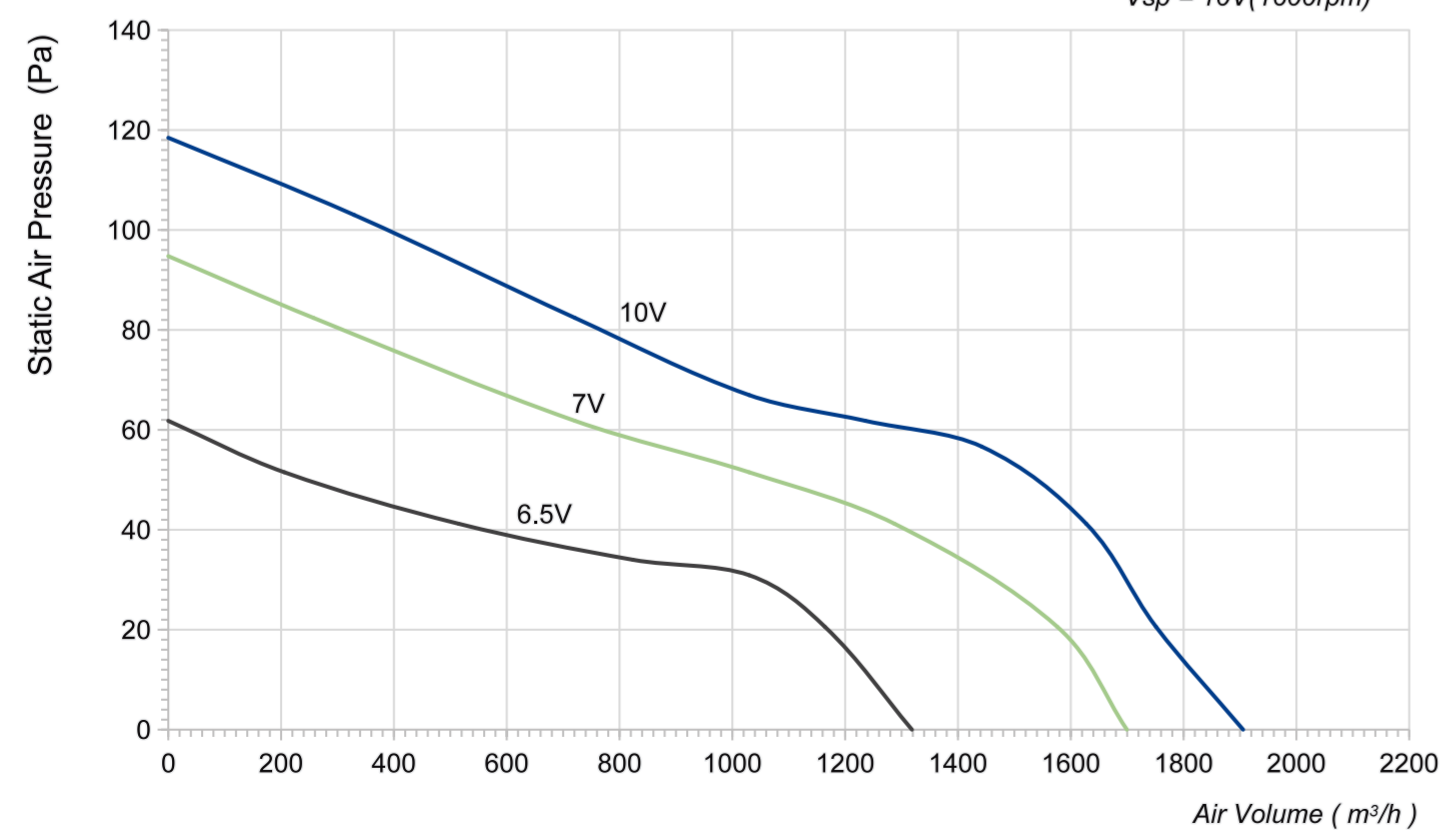
- Material: PA66
- Type of protection: IP54
- Insulation class: B
- Motor type: BLEC Motor
- Operation Temperature: -25 C ~ +60 C
- Techniactal Feature: Control input 0-10VDC/PWM, Tech output, Locked-Rotor protection, Reverse Polarity Over-voltage protection, Soft Start Protection.



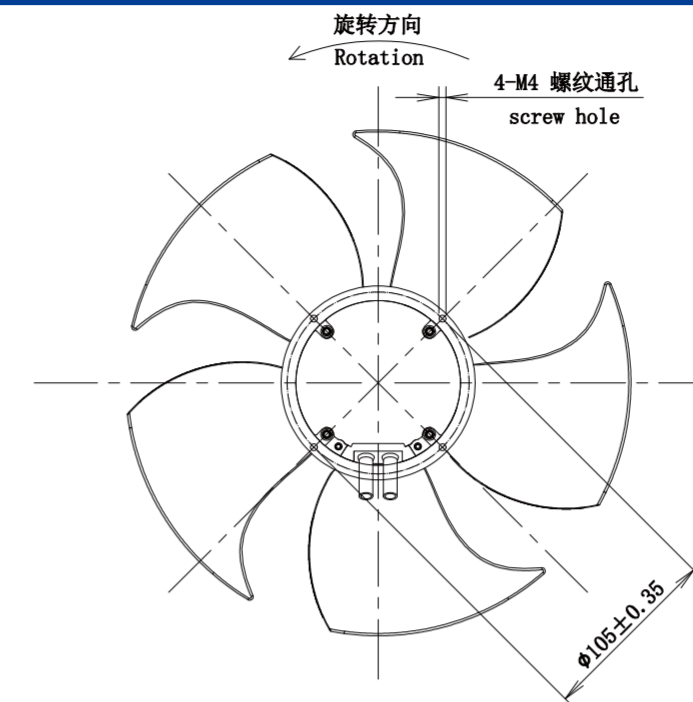
Technical Specifications

Model	Voltage (V)	Frequency (Hz)	Current (A)	Power [W(@0Pa)]	Speed (RPM)	Air Volume (m³/h)	Noise [dB(A)]
LWAE3G300SS-5PNW-10	220	50/60	0.5	100	1600	1906	54
LWAE3G300ST-5PNW-11	220	50/60	0.5	100	1600	1906	54
LWAE3G300SS-5PEW-12	220	50/60	0.5	100	1600	1906	54
LWAE3G300ST-5PEW-13	220	50/60	0.5	100	1600	1906	54
LWAE3G300SS-5PGW-14	220	50/60	0.5	100	1600	1906	54
LWAE3G300ST-5PGW-15	220	50/60	0.5	100	1600	1906	54

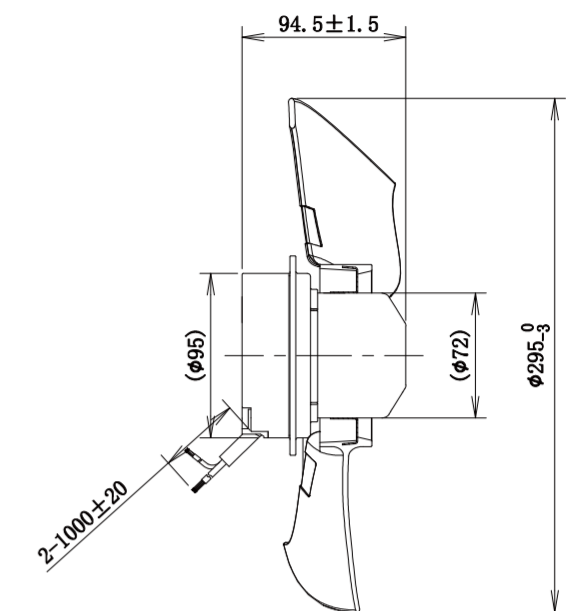
V_{sp} = 10V(1600rpm)



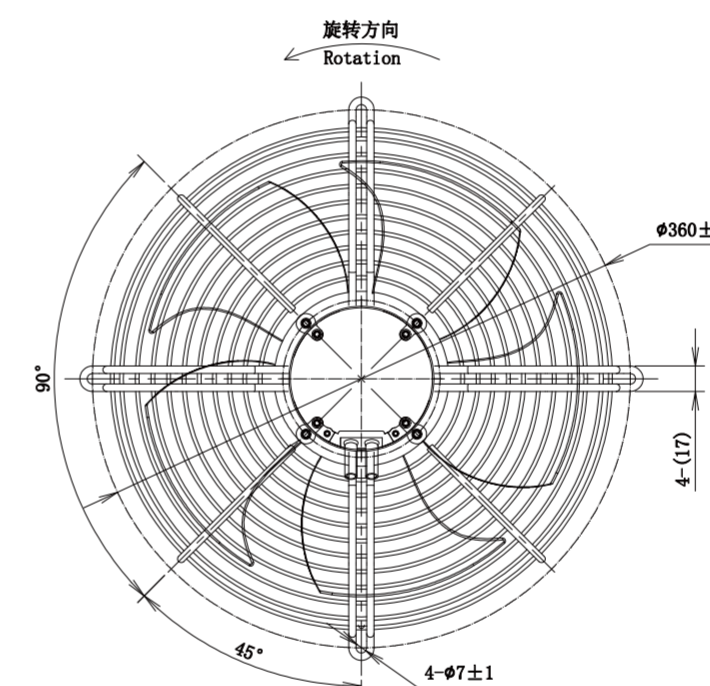
LWAE3G300SS-5PNW-10(Suction)



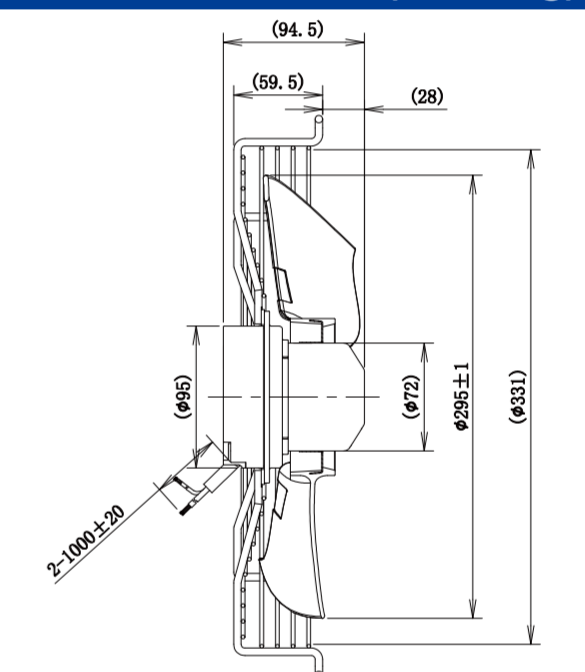
LWAE3G300ST-5PNW-11(Blowing)



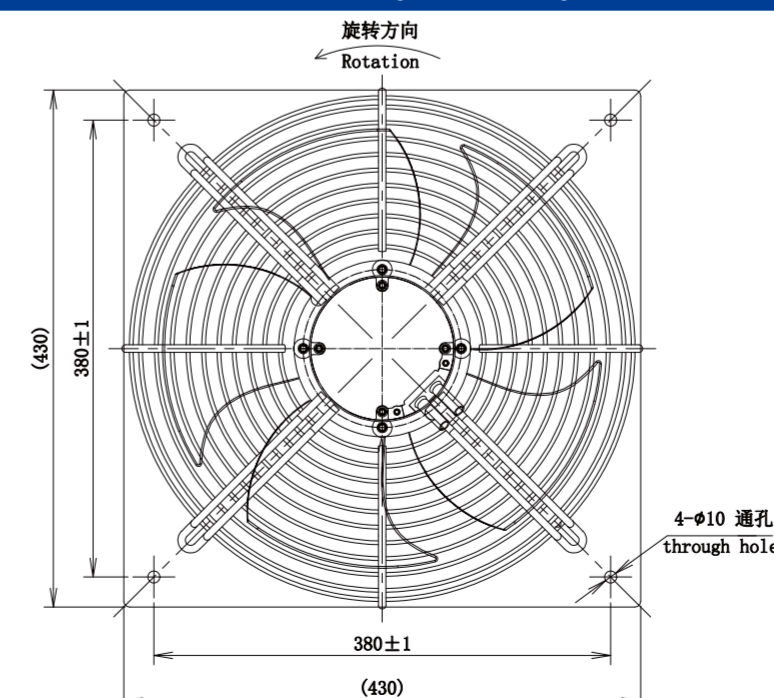
LWAE3G300SS-5PEW-12(Suction)



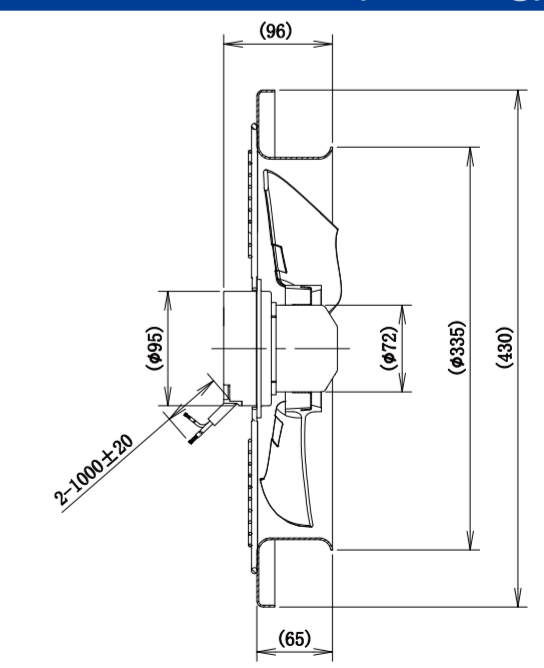
LWAE3G300ST-5PEW-13(Blowing)



LWAE3G300SS-5PGW-14(Suction)



LWAE3G300ST-5PGW-15(Blowing)



LWAE-300 Series

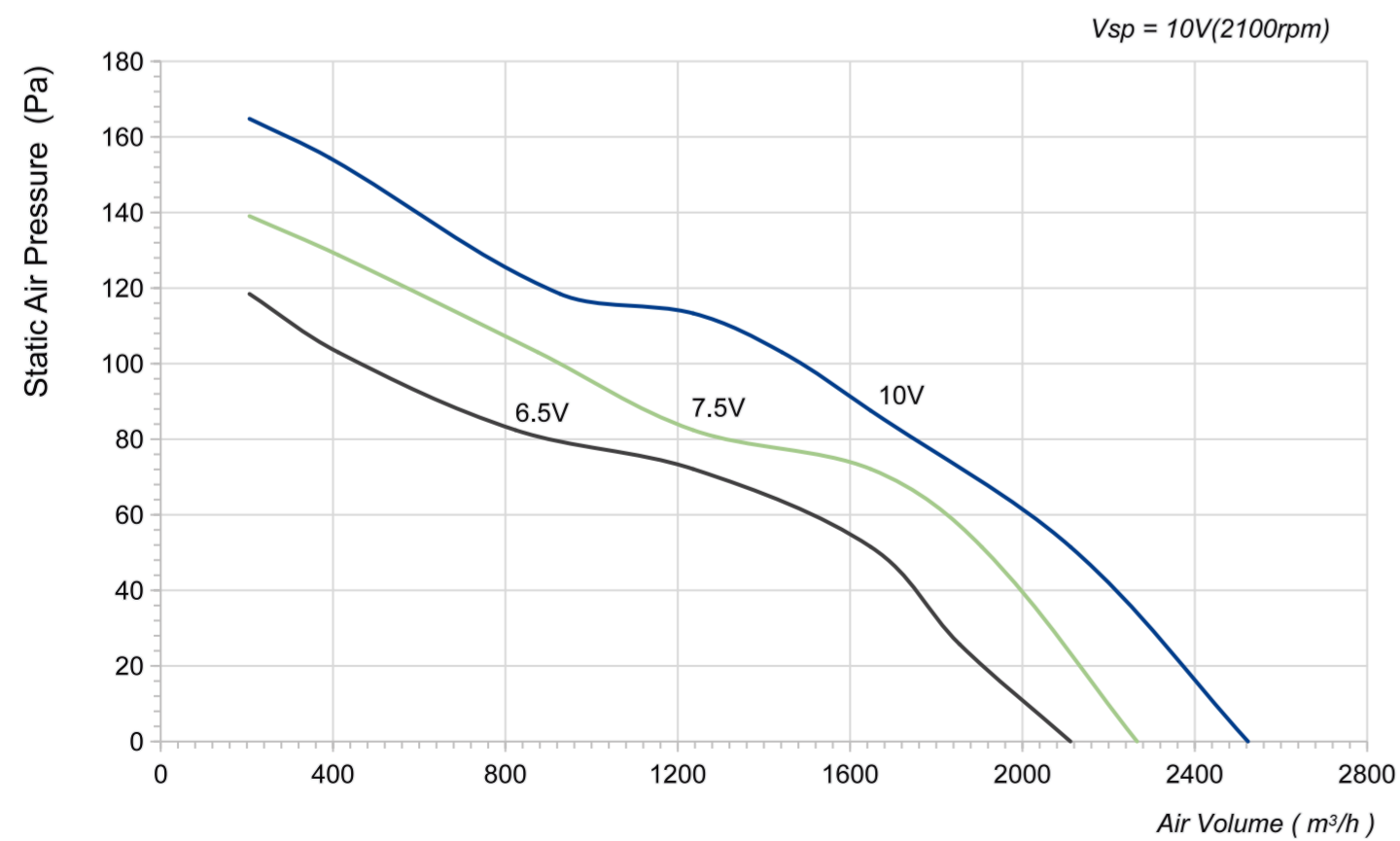
Product Characteristic

- Material: PA66
- Type of protection: IP54
- Insulation class: B
- Motor type: BLEC Motor
- Operation Temperature: -25 C ~ +60 C
- Techniactal Feature: Control input 0-10VDC/PWM, Tech output, Locked-Rotor protection, Reverse Polarity Over-voltage protection, Soft Start Protection.

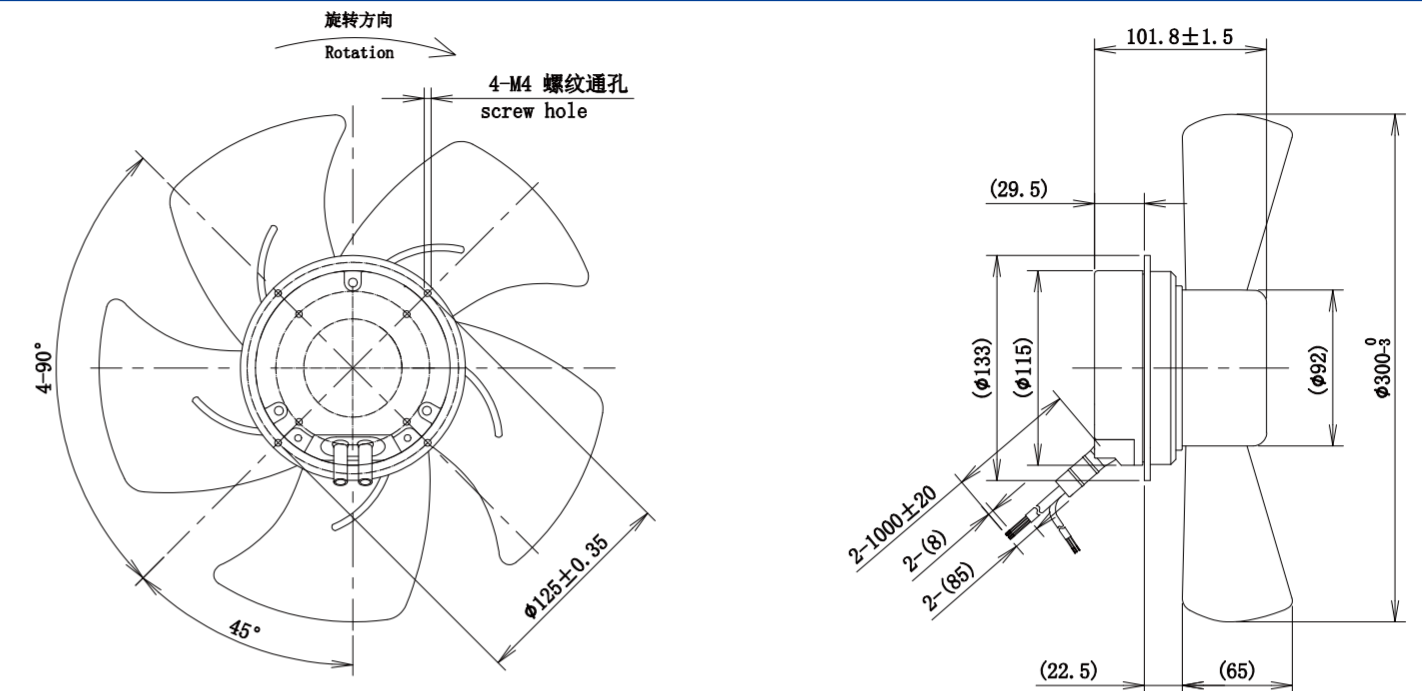


Technical Specifications

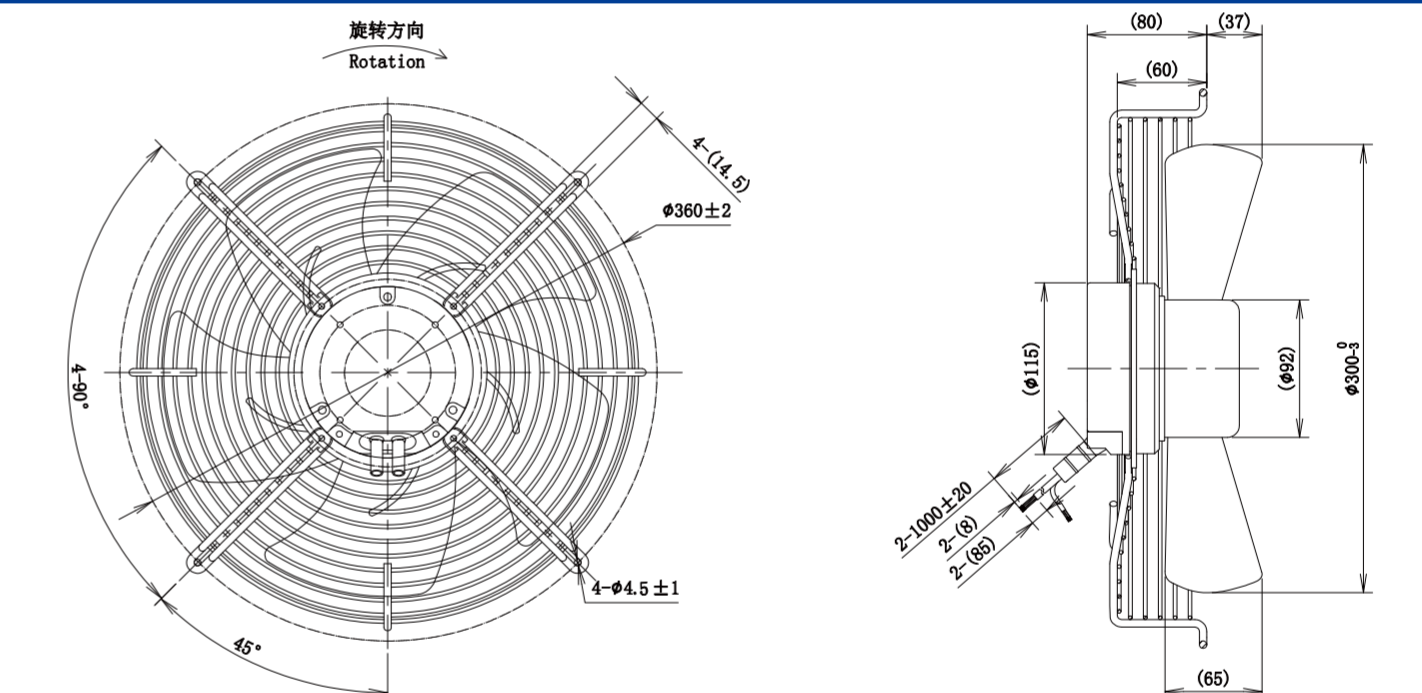
Model	Voltage (V)	Frequency (Hz)	Current (A)	Power [W(@0Pa)]	Speed (RPM)	Air Volume (m³/h)	Noise [dB(A)]
LWAE3G300SS-5PNW-01	220	50/60	1.1	165	2100	2575	64
LWAE3G300ST-5PNW-02	220	50/60	1.1	165	2100	2575	64
LWAE3G300SS-5PEW-03	220	50/60	1.1	165	2100	2575	64
LWAE3G300ST-5PEW-04	220	50/60	1.1	165	2100	2575	64
LWAE3G300SS-5PGW-05	220	50/60	1.1	165	2100	2575	64
LWAE3G300ST-5PGW-06	220	50/60	1.1	165	2100	2575	64



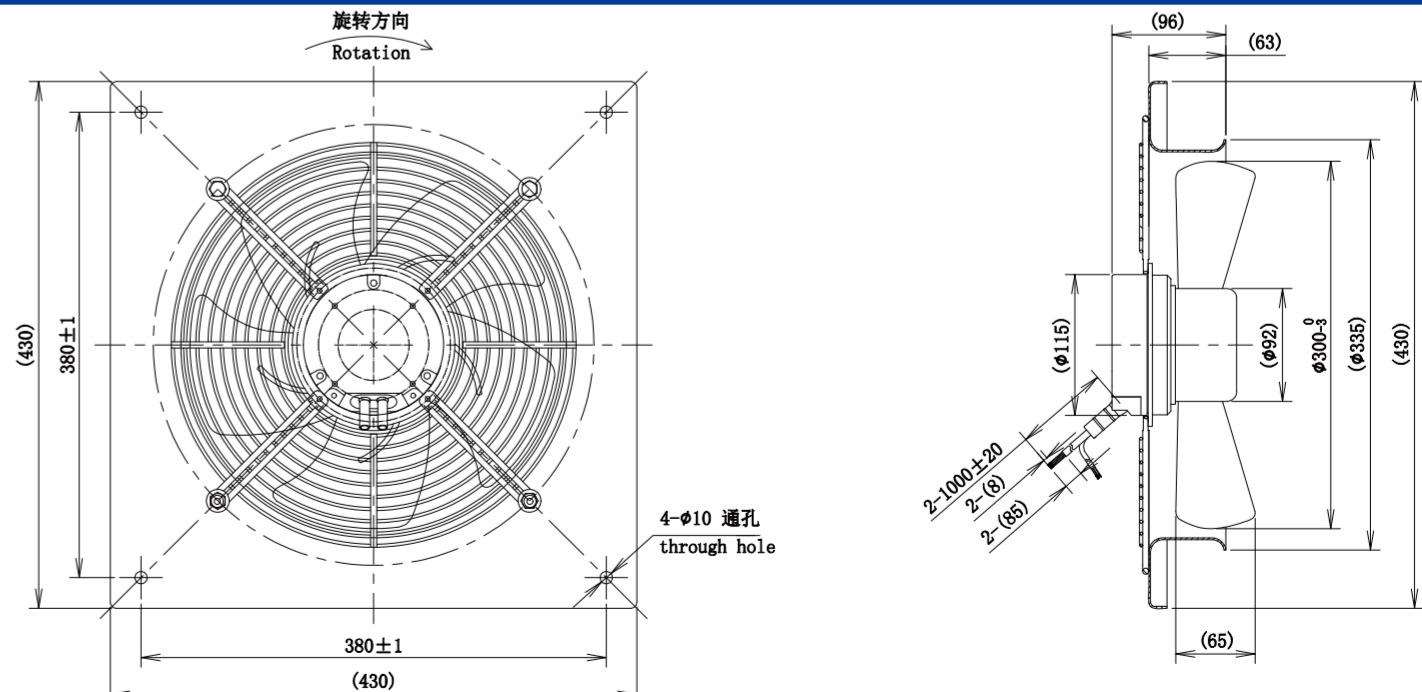
LWAE3G300SS-5PNW-01(Suction) LWAE3G300ST-5PNW-02(Blowing)



LWAE3G300SS-5PEW-03(Suction) LWAE3G300ST-5PEW-04(Blowing)



LWAE3G300SS-5PGW-05(Suction) LWAE3G300ST-5PGW-06(Blowing)



LWAE-300 Series

Product Characteristic

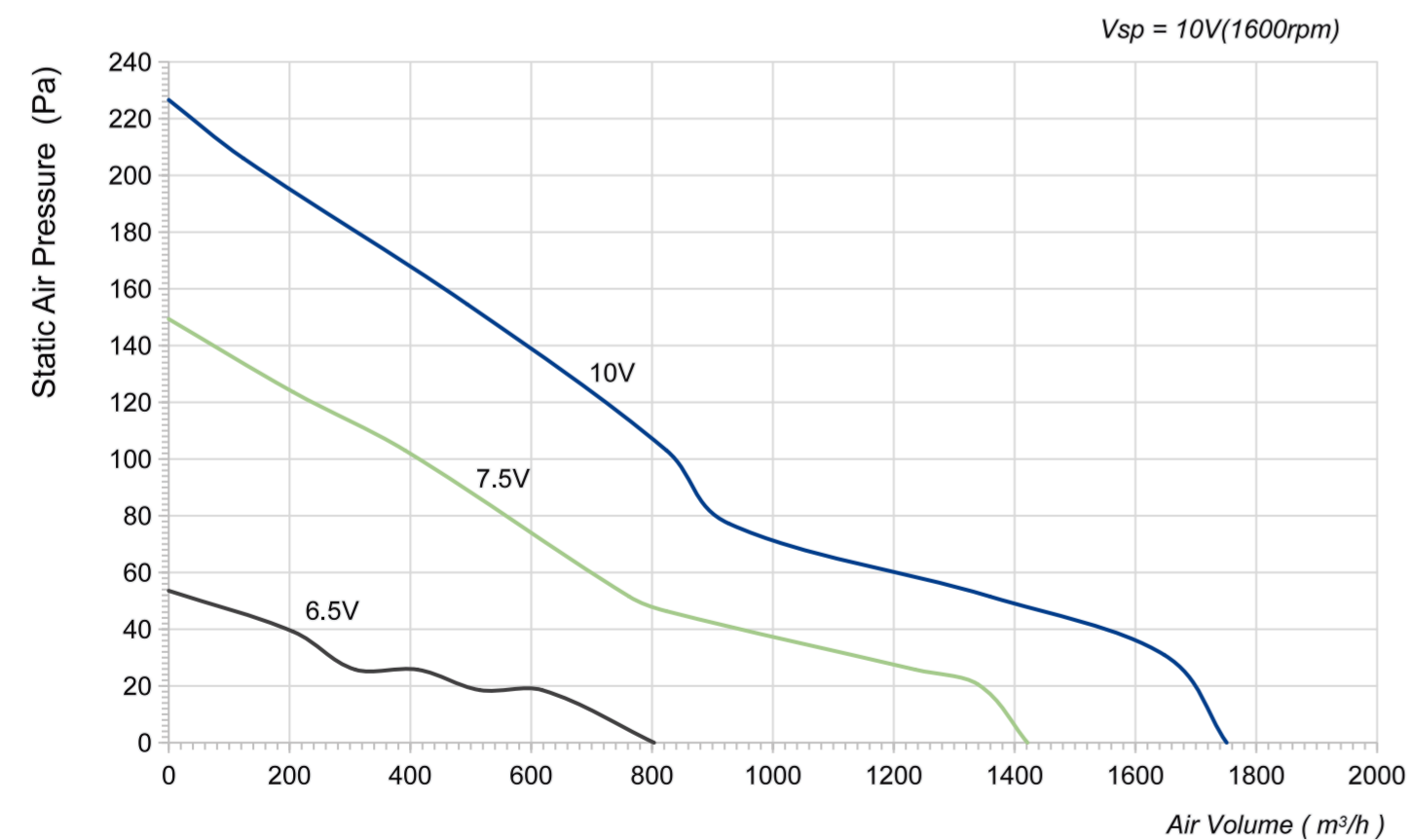
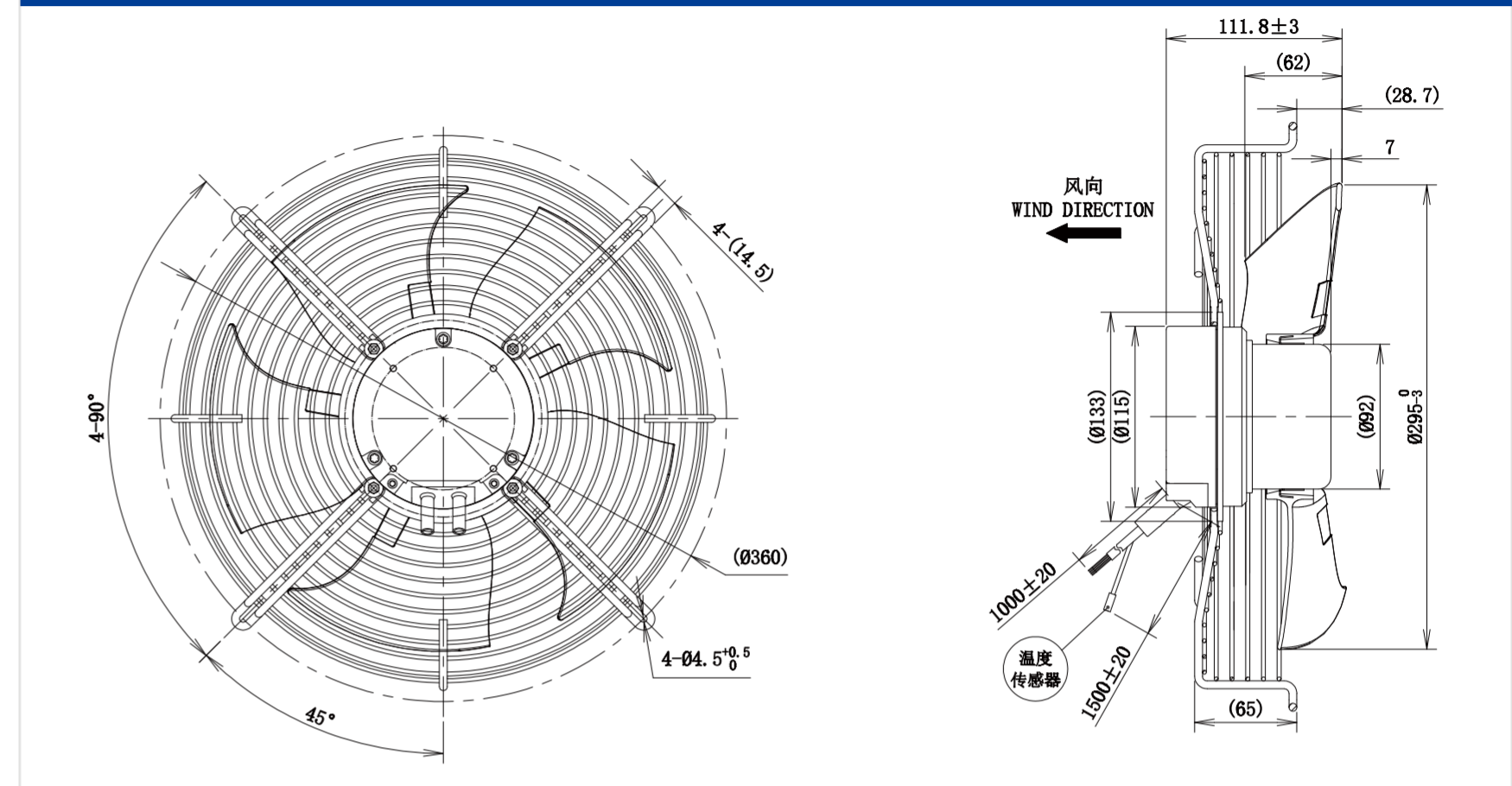
- Material: Sheet steel
- Type of protection: IP54
- Insulation class: B
- Motor type: BLEC Motor
- Operation Temperature: -25 C ~ +60 C
- Techniacal Feature: Control input 0-10VDC/PWM,Tech output,Locked-Rotor protection,Reverse Polarity Over-voltage protection, Soft Start Protection.



Technical Specifications

Model	Voltage (V)	Frequency (Hz)	Current (A)	Power [W(@0Pa)]	Speed (RPM)	Air Volume (m³/h)	Noise [dB(A)]
LWAE3G300SS-5MEW-07	220	50/60	0.7	90	1600	1751	59
LWAE3G300ST-5MEW-08	220	50/60	0.7	90	1600	1751	59

LWAE3G300SS-5MEW-07(Suction) LWAE3G300ST-5MEW-08(Blowing)



LWAE-300 Series

Product Characteristic

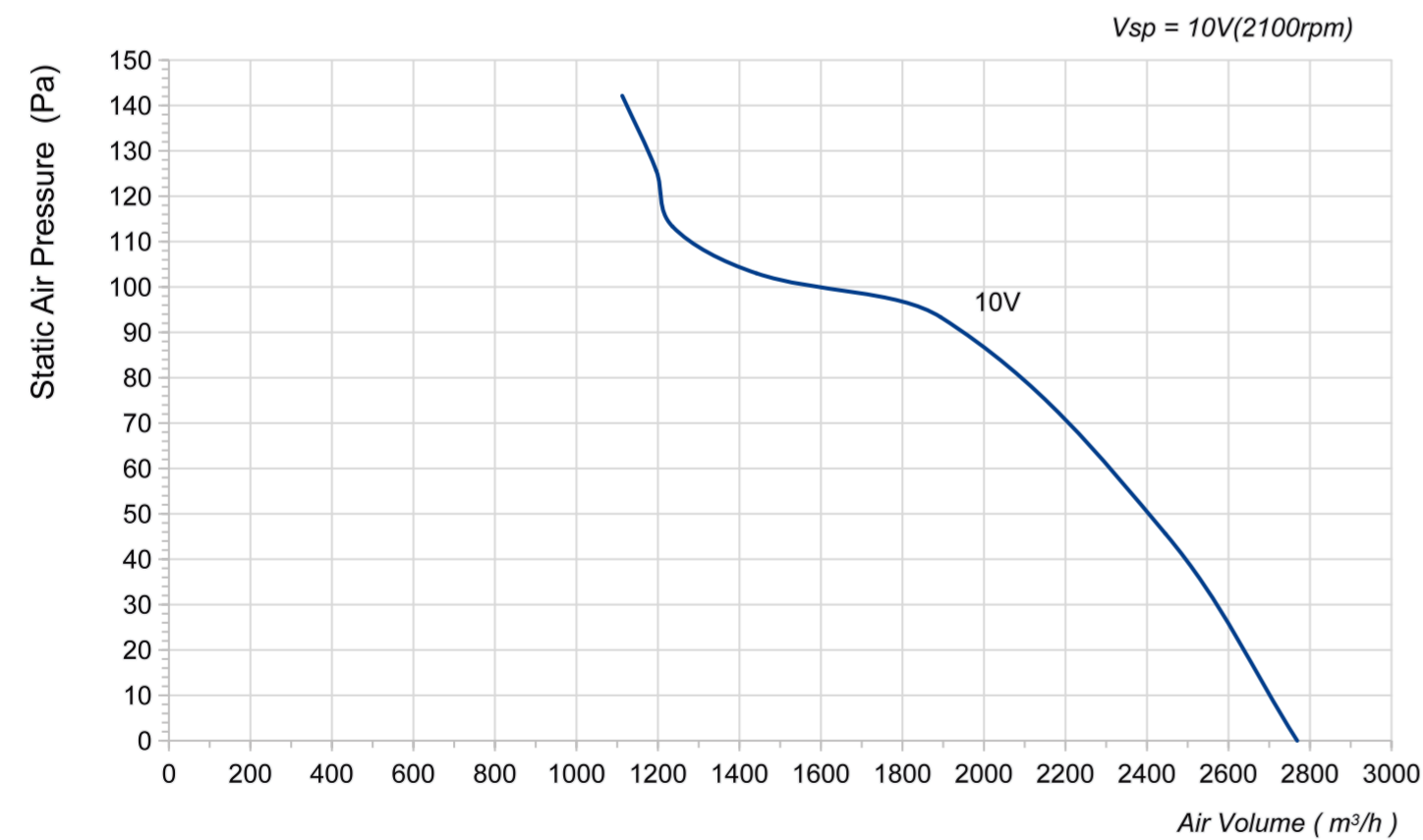
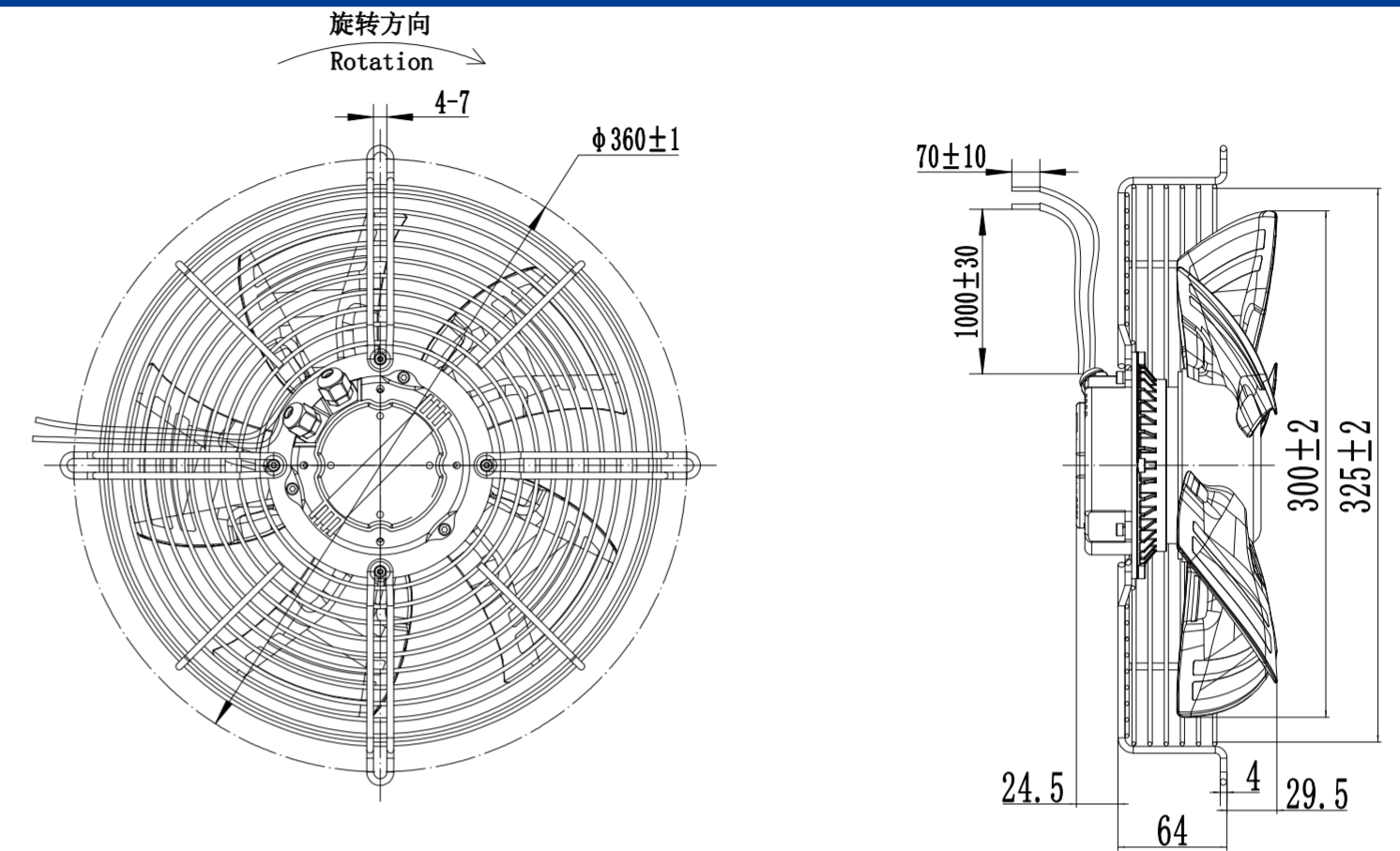
- Material: PA66
- Type of protection: IP54
- Insulation class: F
- Motor type: BLEC Motor
- Operation Temperature: -25 C ~ +60 C
- Techniactal Feature: Control input 0-10VDC/PWM,Tech output,Locked-Rotor protection,Reverse Polarity Over-voltage protection, Soft Start Protection.



Technical Specifications

Model	Voltage (V)	Frequency (Hz)	Current (A)	Power [W(@0Pa)]	Speed (RPM)	Air Volume (m³/h)	Noise [dB(A)]
LWAE3G300SS-5PEW-09	230	50/60	0.87	126	2100	2781	65

LWAE3G300SS-5PEW-09



LWAE-315 Series

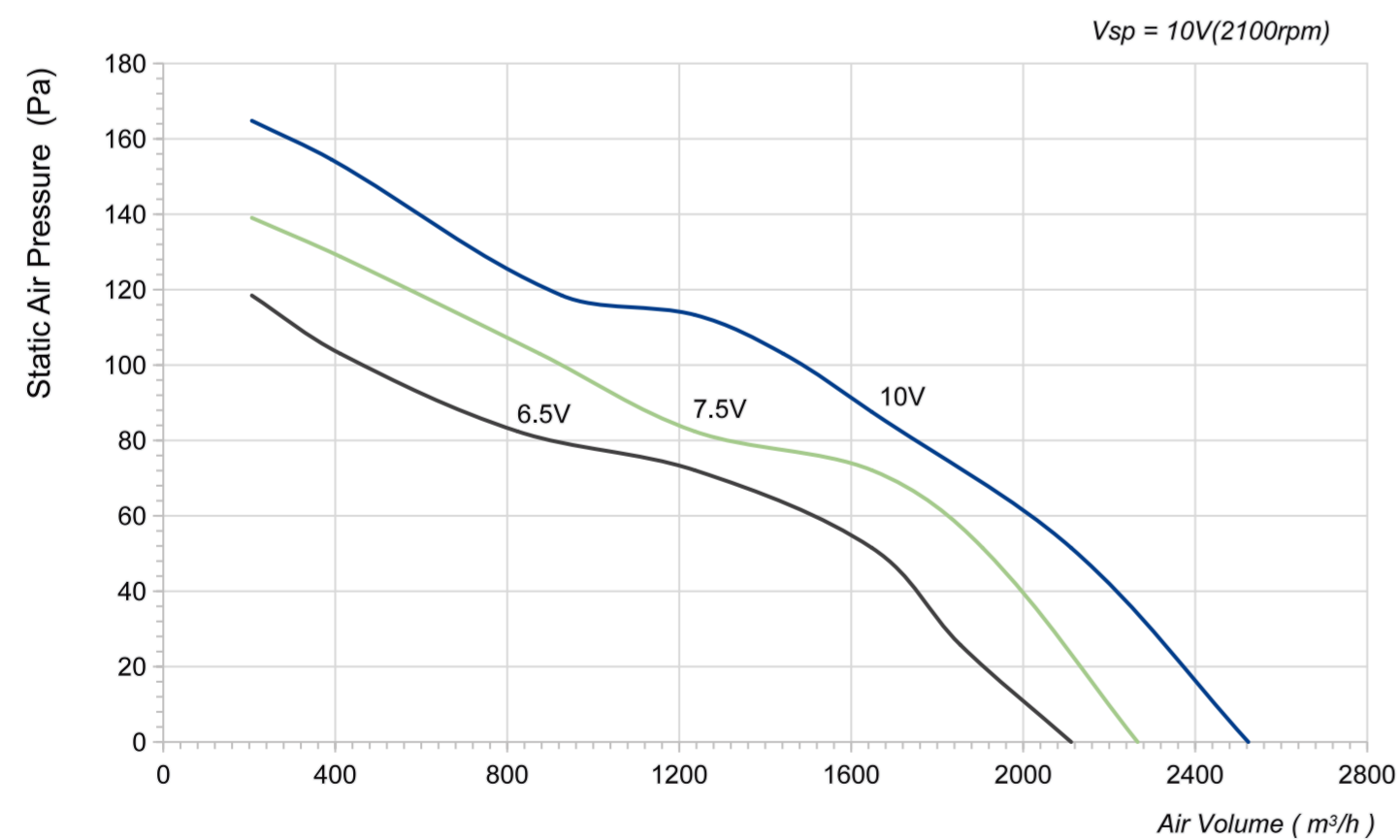
Product Characteristic

- Material: PA66
- Type of protection: IP54
- Insulation class: B
- Motor type: BLEC Motor
- Operation Temperature: -25 C ~ +60 C
- Techniactal Feature: Control input 0-10VDC/PWM, Tech output, Locked-Rotor protection, Reverse Polarity Over-voltage protection, Soft Start Protection.

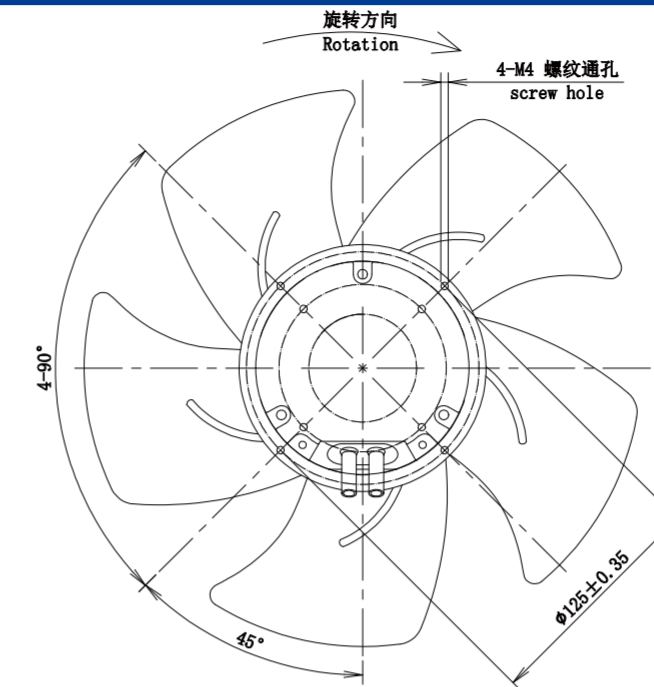


Technical Specifications

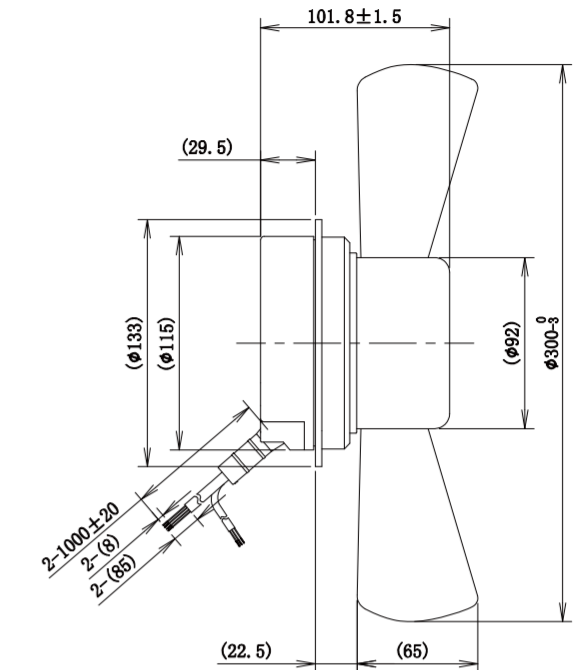
Model	Voltage (V)	Frequency (Hz)	Current (A)	Power [W(@0Pa)]	Speed (RPM)	Air Volume (m³/h)	Noise [dB(A)]
LWAE3G315SS-5PNW-01	220	50/60	1.1	165	2100	2575	66
LWAE3G315ST-5PNW-02	220	50/60	1.1	165	2100	2575	66
LWAE3G315SS-5PEW-03	220	50/60	1.1	165	2100	2575	66
LWAE3G315ST-5PEW-04	220	50/60	1.1	165	2100	2575	66



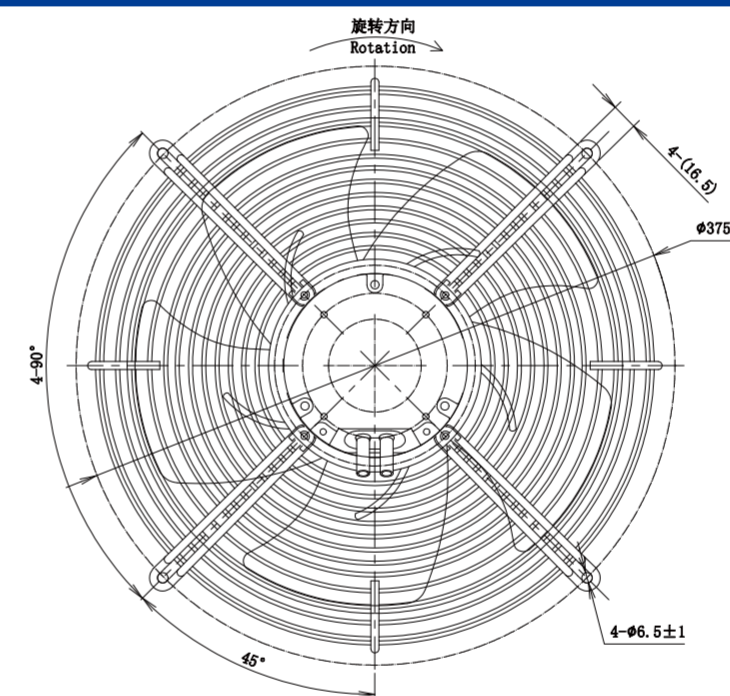
LWAE3G315SS-5PNW-01(Suction)



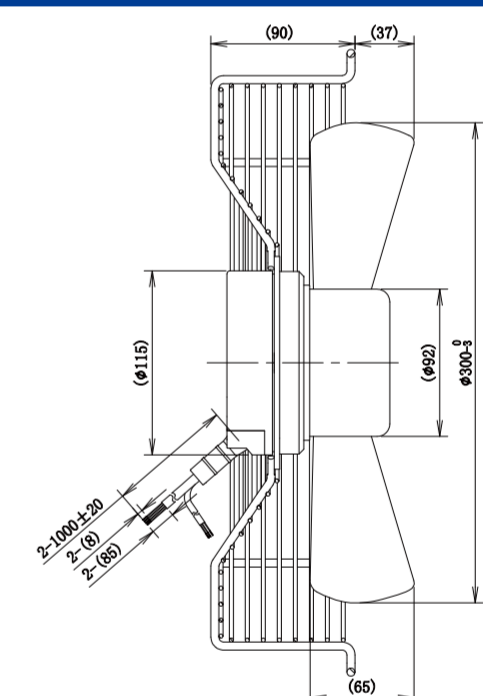
LWAE3G315ST-5PNW-02(Blowing)



LWAE3G315SS-5PEW-03(Suction)



LWAE3G315ST-5PEW-04(Blowing)



LWAE-350 Series



Product Characteristic

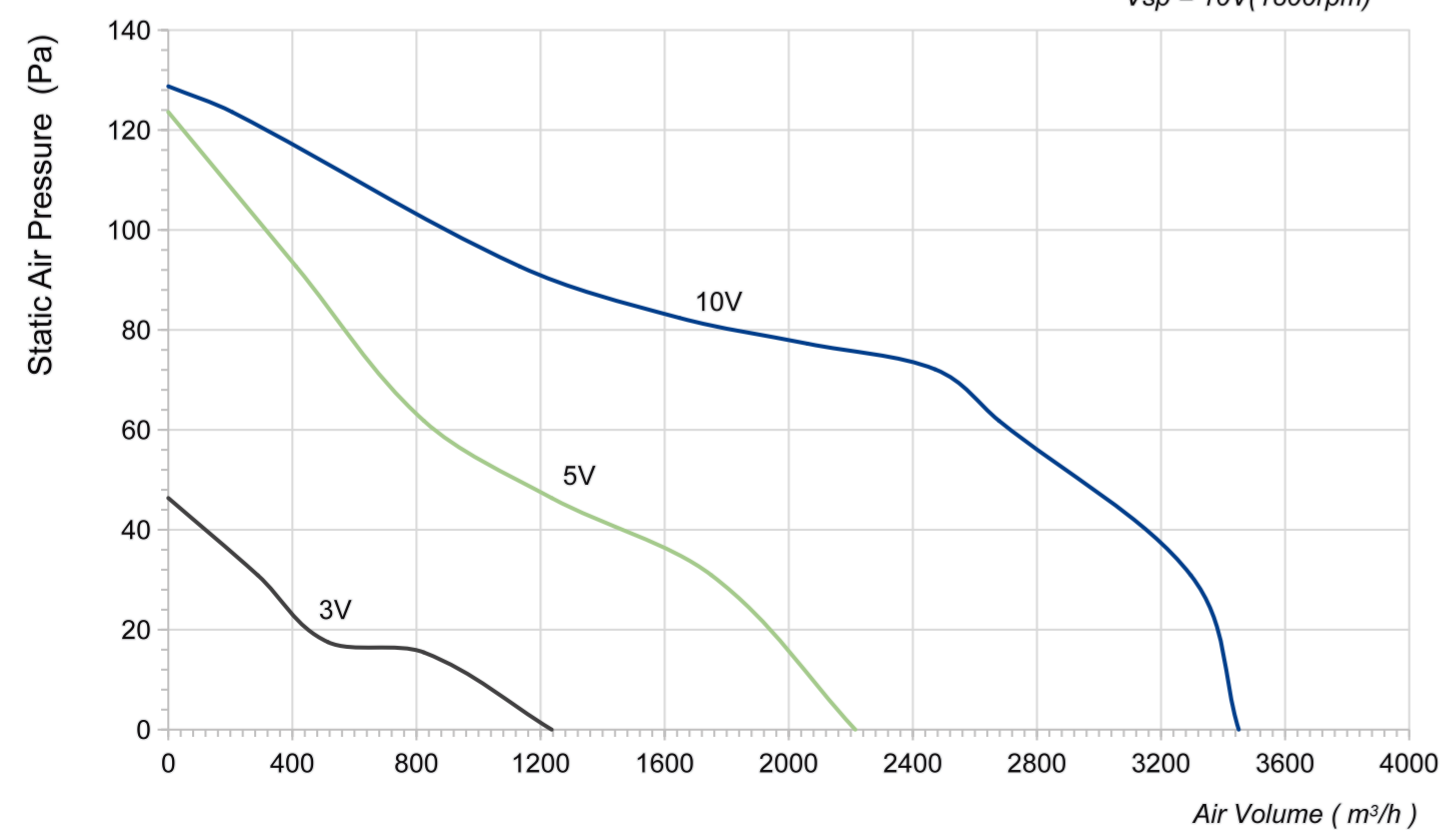
- Material: PA66
- Type of protection: IP54
- Insulation class: B
- Motor type: BLEC Motor
- Operation Temperature: -25 C ~ +60 C
- Techniical Feature: Control input 0-10VDC/PWM, Tech output, Locked-Rotor protection, Reverse Polarity Over-voltage protection, Soft Start Protection.



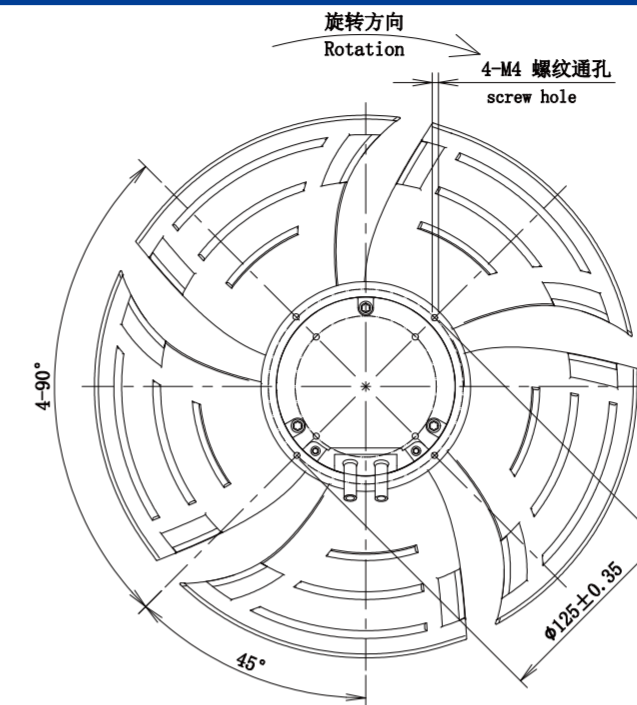
Technical Specifications

Model	Voltage (V)	Frequency (Hz)	Current (A)	Power [W(@0Pa)]	Speed (RPM)	Air Volume (m³/h)	Noise [dB(A)]
LWAE3G350SS-5PNW-01	220	50/60	1.2	175	1800	3451	65
LWAE3G350ST-5PNW-02	220	50/60	1.2	175	1800	3451	65
LWAE3G350SS-5PEW-03	220	50/60	1.2	175	1800	3451	65
LWAE3G350ST-5PEW-04	220	50/60	1.2	175	1800	3451	65
LWAE3G350SS-5PGW-05	220	50/60	1.2	175	1800	3451	65
LWAE3G350ST-5PGW-06	220	50/60	1.2	175	1800	3451	65

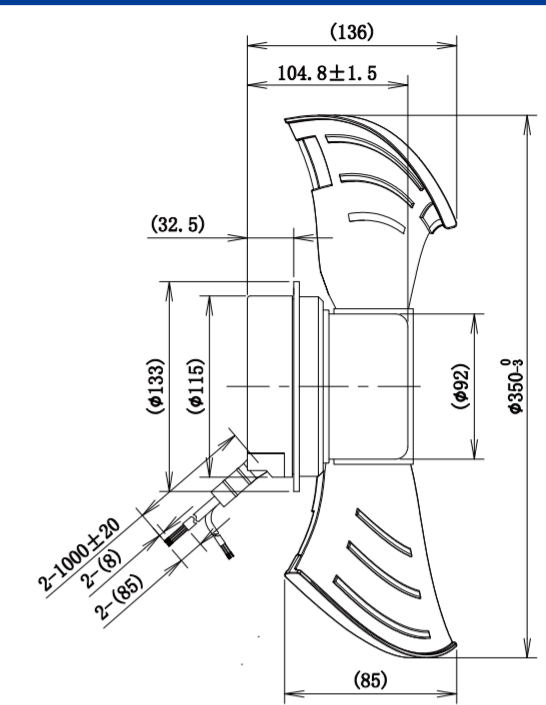
Vsp = 10V(1800rpm)



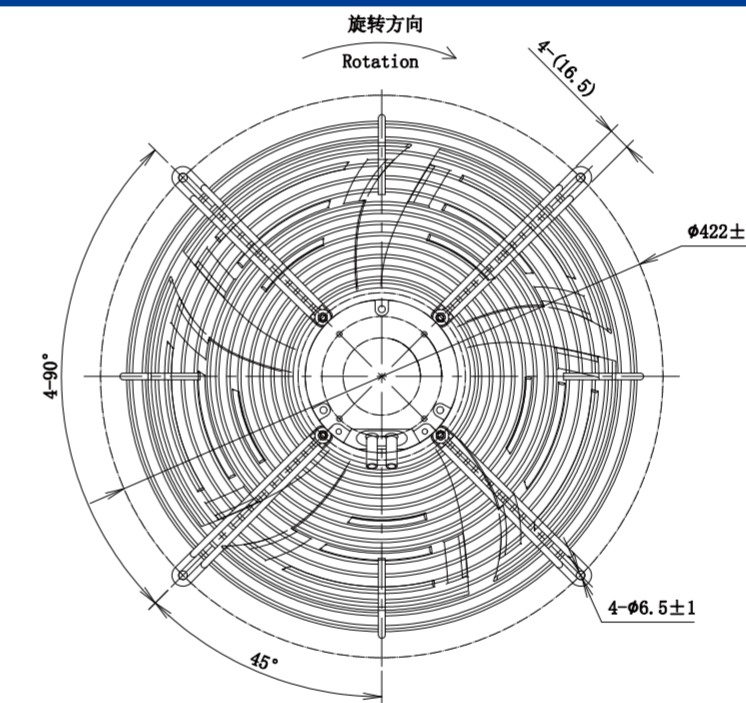
LWAE3G350SS-5PNW-01(Suction)



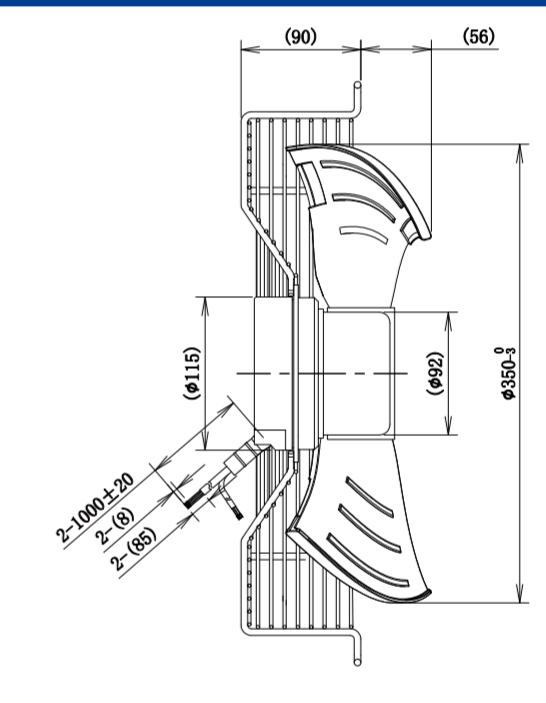
LWAE3G350ST-5PNW-02(Blowing)



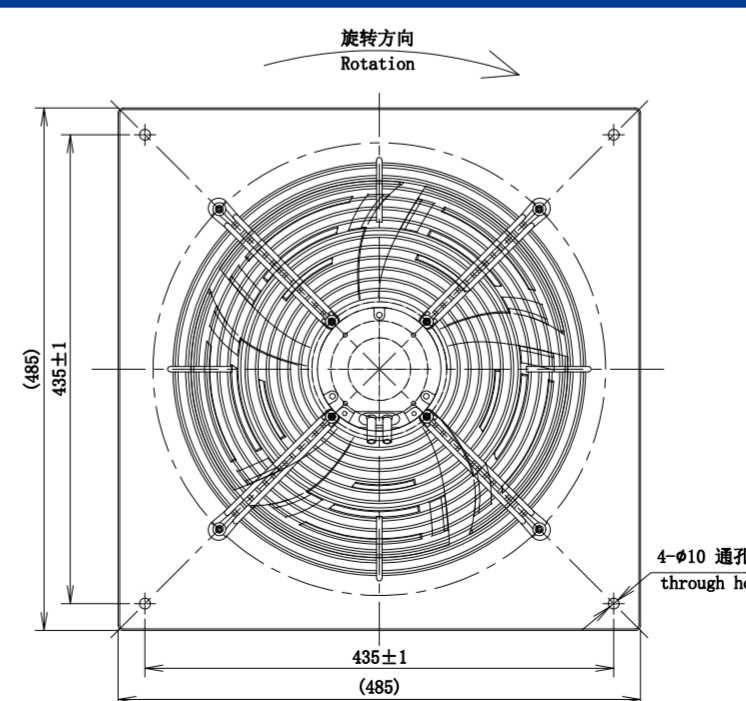
LWAE3G350SS-5PEW-03(Suction)



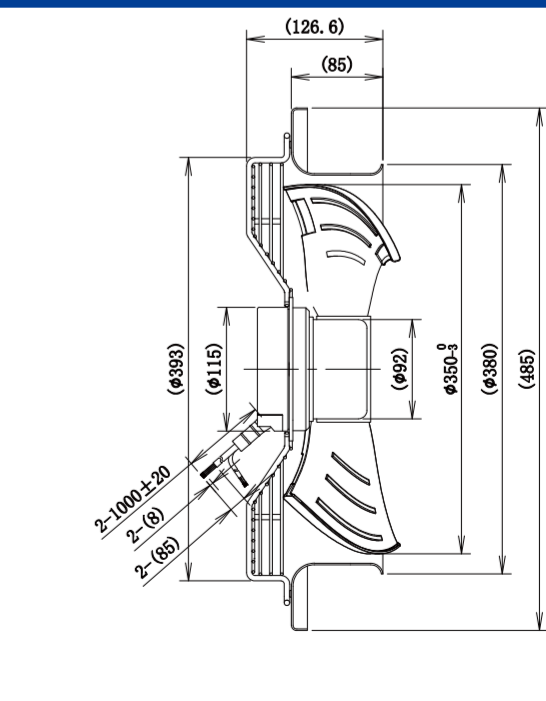
LWAE3G350ST-5PEW-04(Blowing)



LWAE3G350SS-5PGW-05(Suction)



LWAE3G350ST-5PGW-06(Blowing)



LWAE-350 Series

Product Characteristic

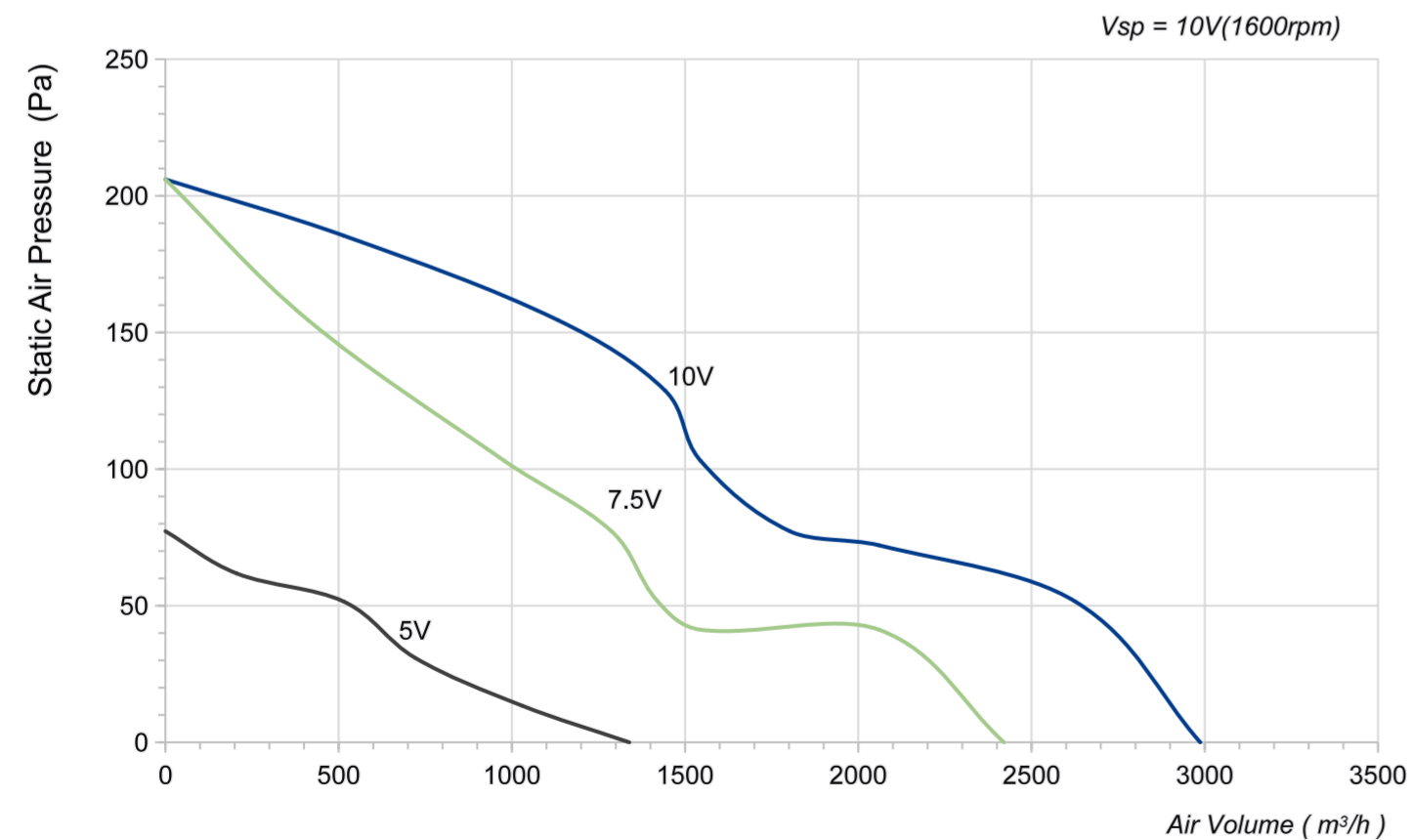
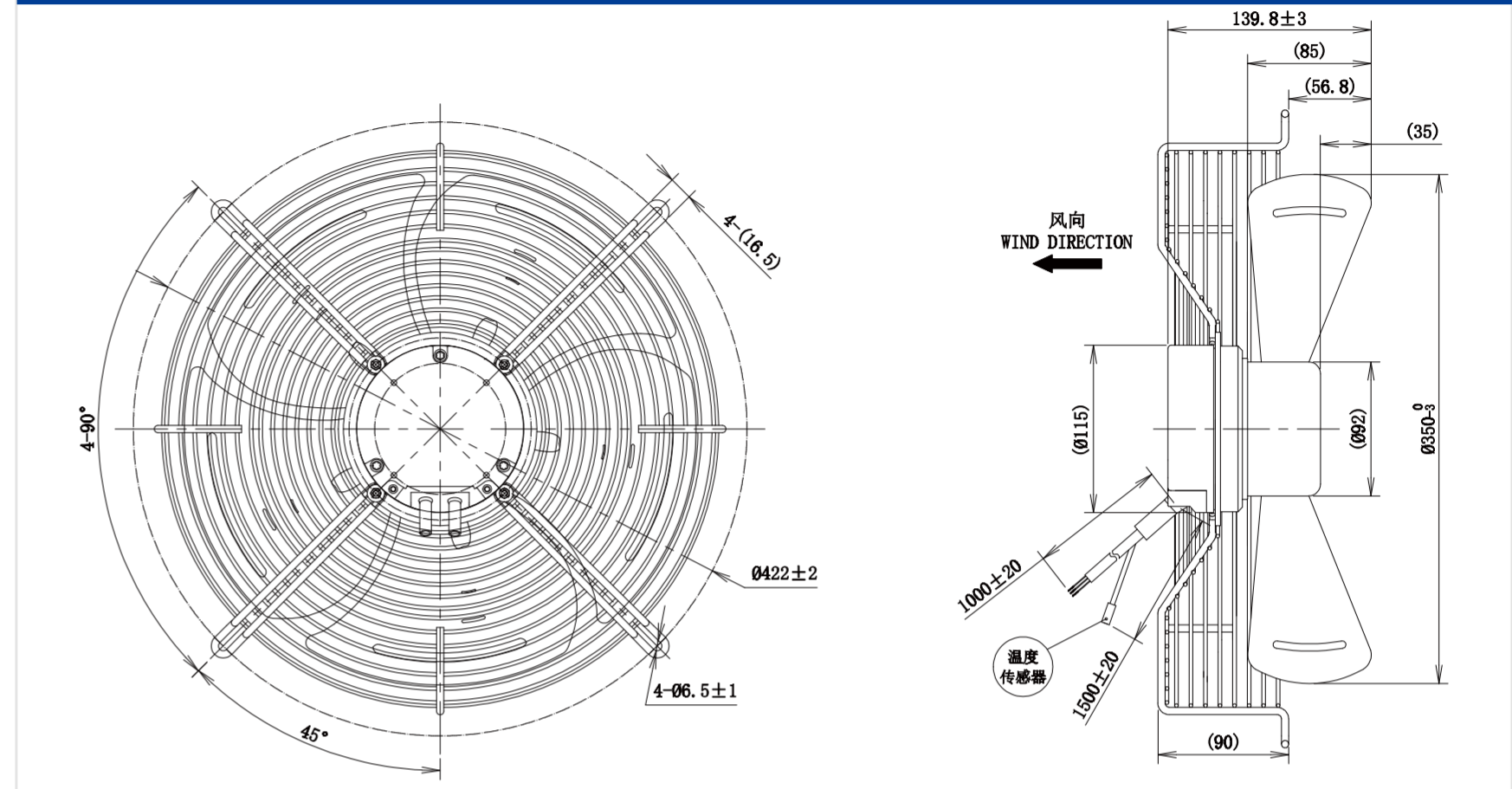
- Material: Sheet steel
- Type of protection: IP54
- Insulation class: B
- Motor type: BLEC Motor
- Operation Temperature: -25 C ~ +60 C
- Techniacal Feature: Control input 0-10VDC/PWM, Tech output, Locked-Rotor protection, Reverse Polarity Over-voltage protection, Soft Start Protection.



Technical Specifications

Model	Voltage (V)	Frequency (Hz)	Current (A)	Power [W(@0Pa)]	Speed (RPM)	Air Volume (m³/h)	Noise [dB(A)]
LWAE3G350SS-5MEW-07	220	50/60	1.0	150	1600	2884	66
LWAE3G350ST-5MEW-08	220	50/60	1.0	150	1600	2884	66

LWAE3G350SS-5MEW-07(Suction) LWAE3G350ST-5MEW-08(Blowing)



LWAE-350 Series

Product Characteristic

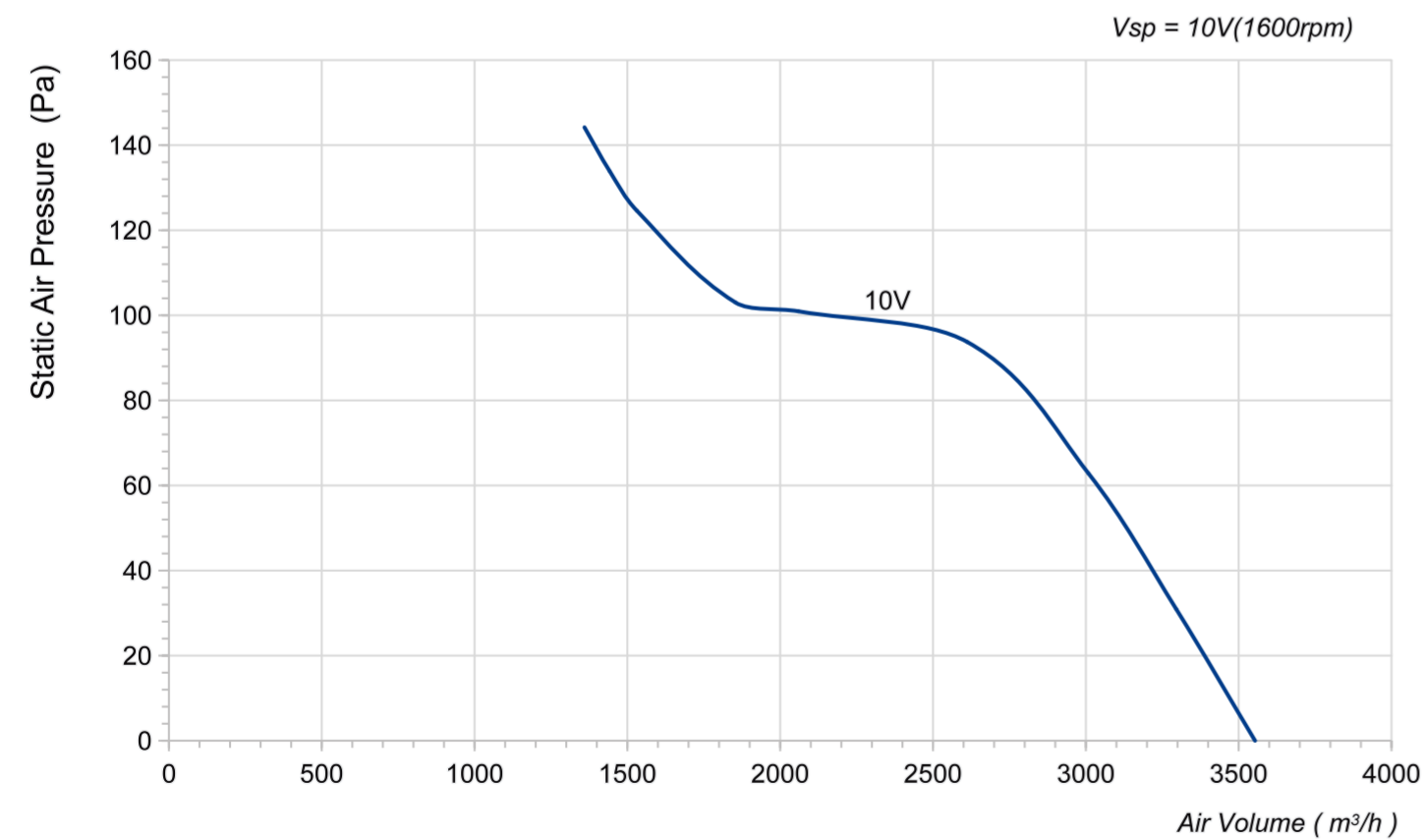
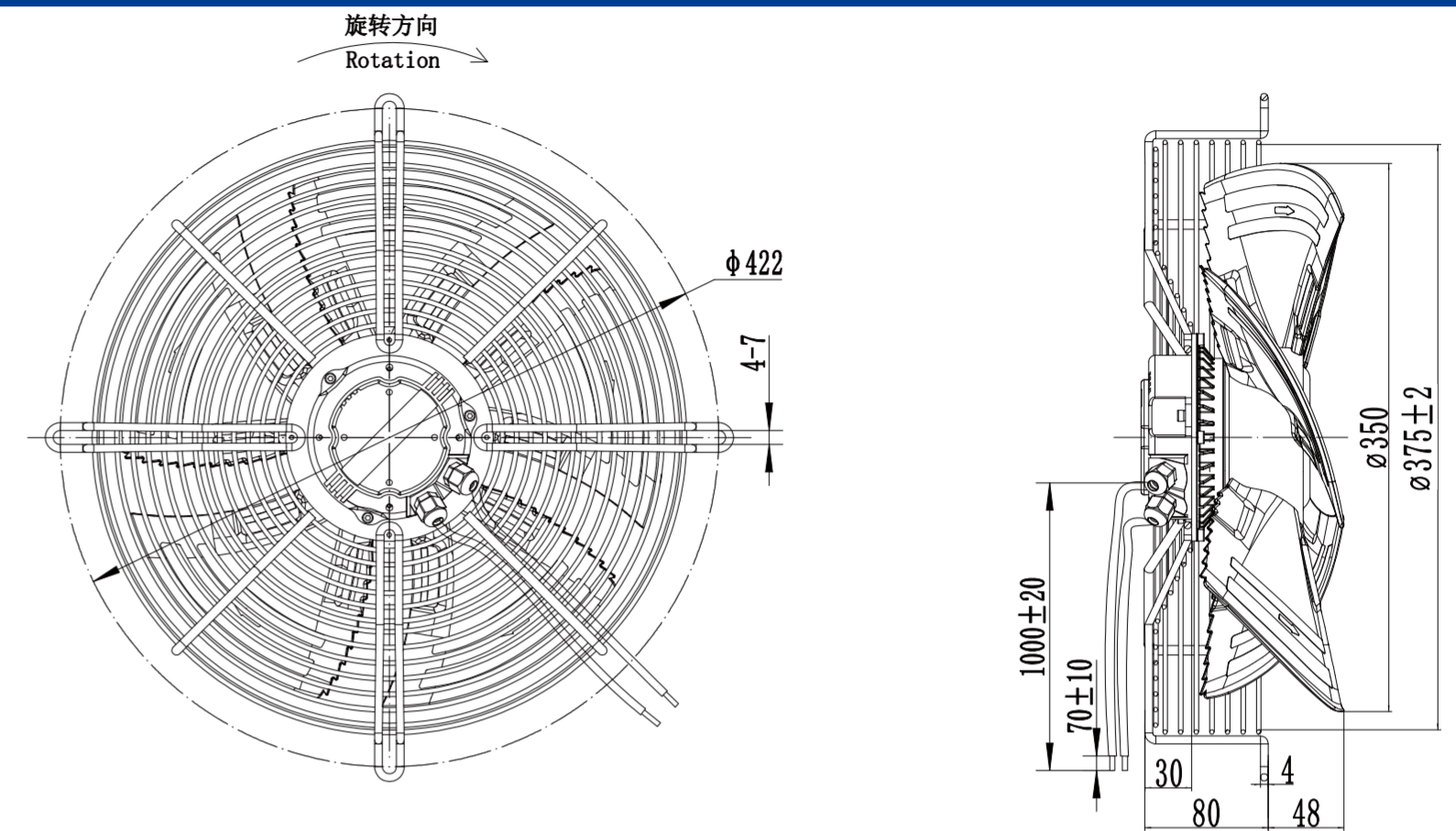
- Material: PA66
- Type of protection: IP54
- Insulation class: F
- Motor type: BLEC Motor
- Operation Temperature: -25 C ~ +60 C
- Techniacal Feature: Control input 0-10VDC/PWM, Tech output, Locked-Rotor protection, Reverse Polarity Over-voltage protection, Soft Start Protection.



Technical Specifications

Model	Voltage (V)	Frequency (Hz)	Current (A)	Power [W(@0Pa)]	Speed (RPM)	Air Volume (m³/h)	Noise [dB(A)]
LWAE3G350SS-5PEW-09	230	50/60	1.11	164	1600	3554	62

LWAE3G350SS-5PEW-09



LWAE-400 Series

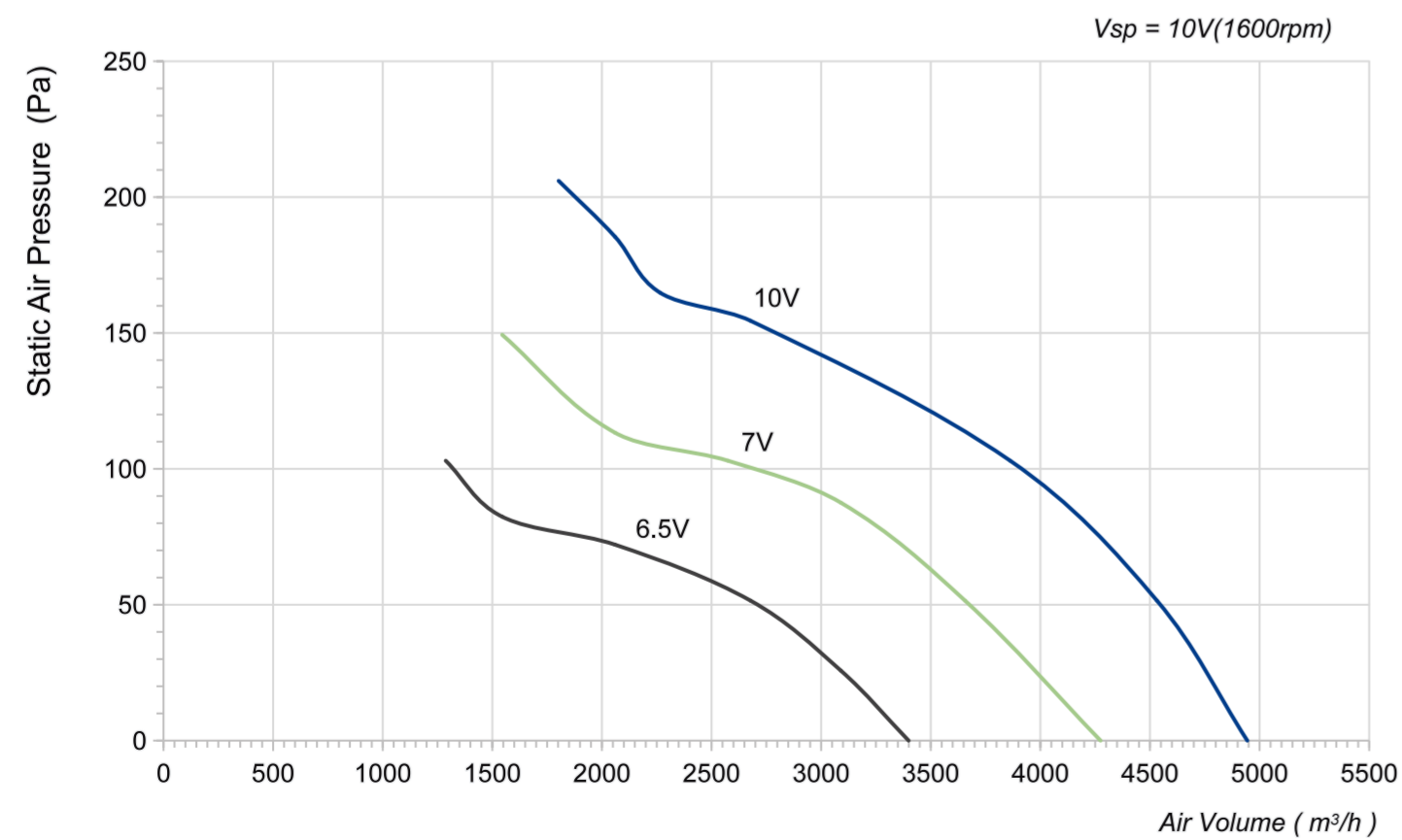
Product Characteristic

- Material: Sheet steel
- Type of protection: IP54
- Insulation class: B
- Motor type: BLEC Motor
- Operation Temperature: -25 C ~ +60 C
- Techniical Feature: Control input 0-10VDC/PWM, Tech output, Locked-Rotor protection, Reverse Polarity Over-voltage protection, Soft Start Protection.

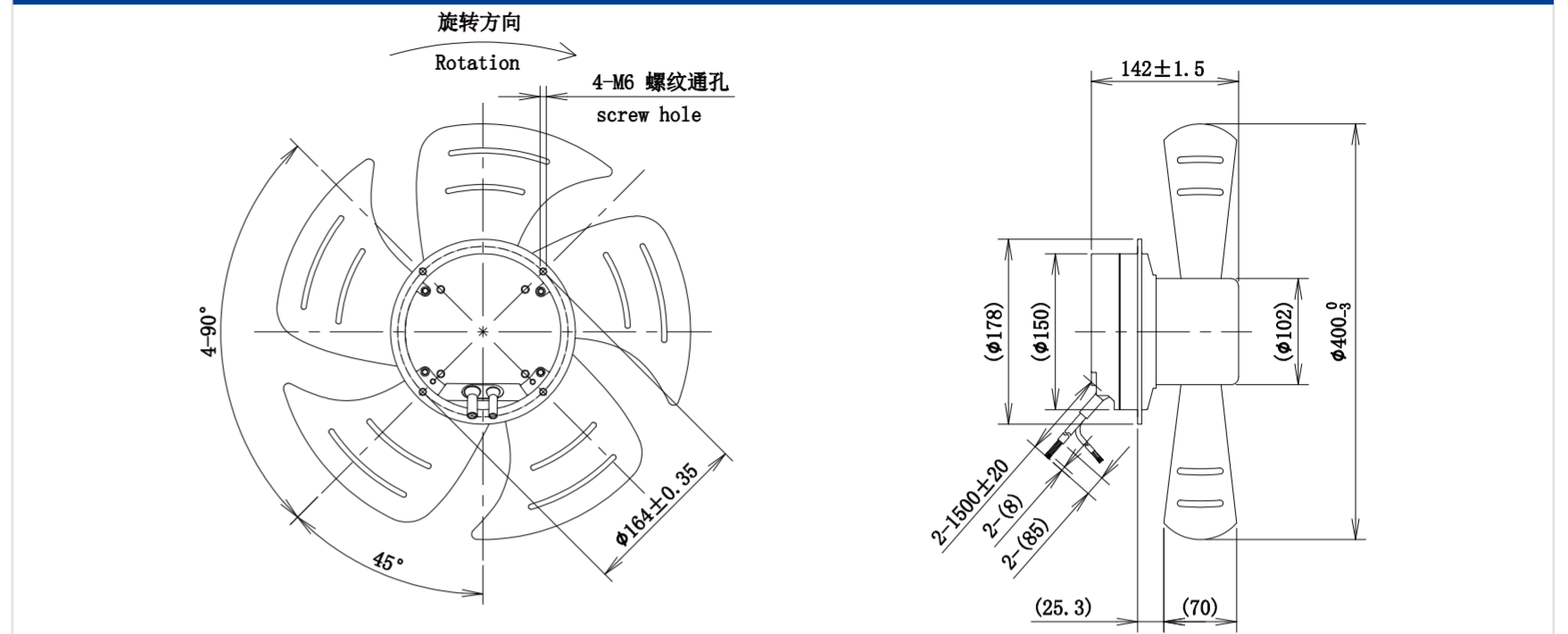


Technical Specifications

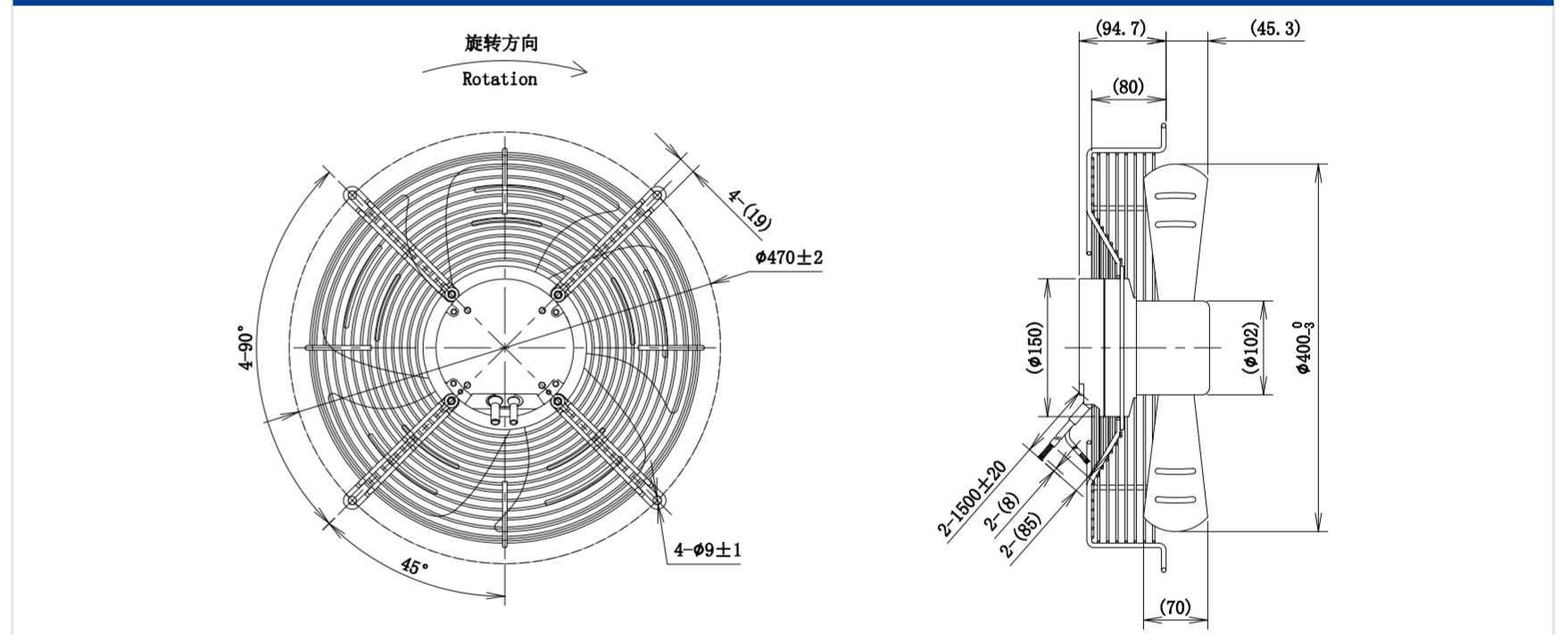
Model	Voltage (V)	Frequency (Hz)	Current (A)	Power [W(@0Pa)]	Speed (RPM)	Air Volume (m³/h)	Noise [dB(A)]
LWAE3G400SS-5MNW-01	220	50/60	1.4	315	1600	4944	69
LWAE3G400ST-5MNW-02	220	50/60	1.4	315	1600	4944	69
LWAE3G400SS-5MEW-03	220	50/60	1.4	315	1600	4944	69
LWAE3G400ST-5MEW-04	220	50/60	1.4	315	1600	4944	69
LWAE3G400SS-5MGW-05	220	50/60	1.4	315	1600	4944	69
LWAE3G400ST-5MGW-06	220	50/60	1.4	315	1600	4944	69



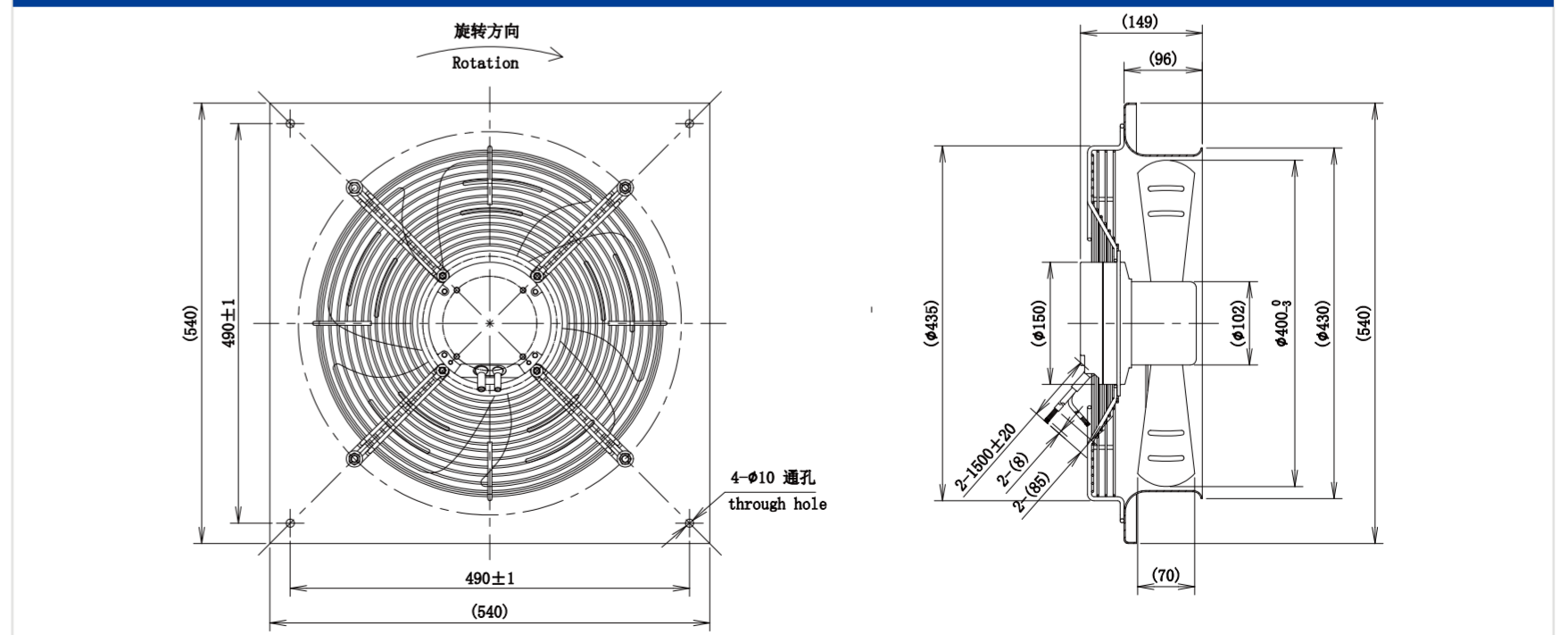
LWAE3G400SS-5MNW-01(Suction) LWAE3G400ST-5MNW-02(Blowing)



LWAE3G400SS-5MEW-03(Suction) LWAE3G400ST-5MEW-04(Blowing)



LWAE3G400SS-5MGW-05(Suction) LWAE3G400ST-5MGW-06(Blowing)



LWAE-400 Series

Product Characteristic

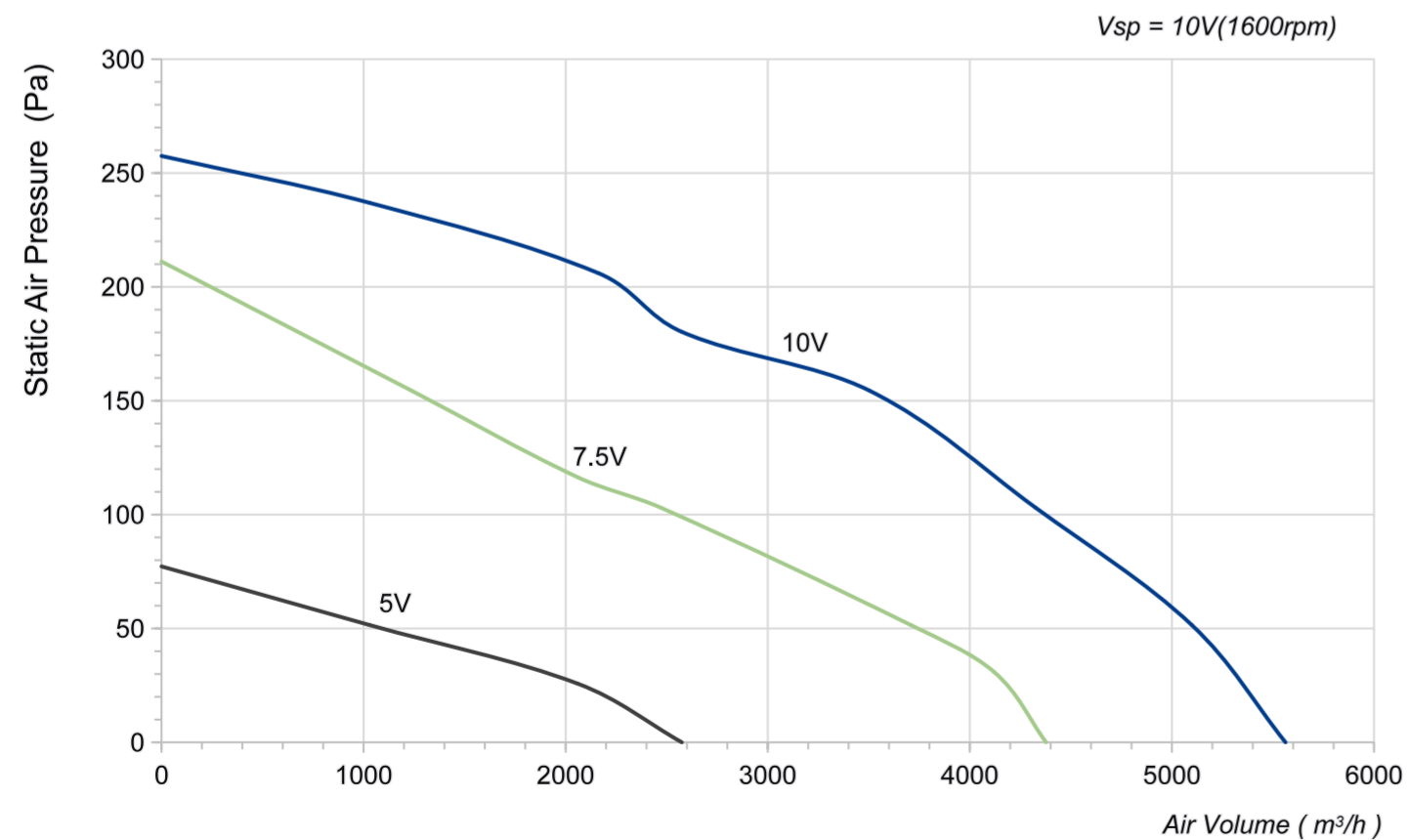
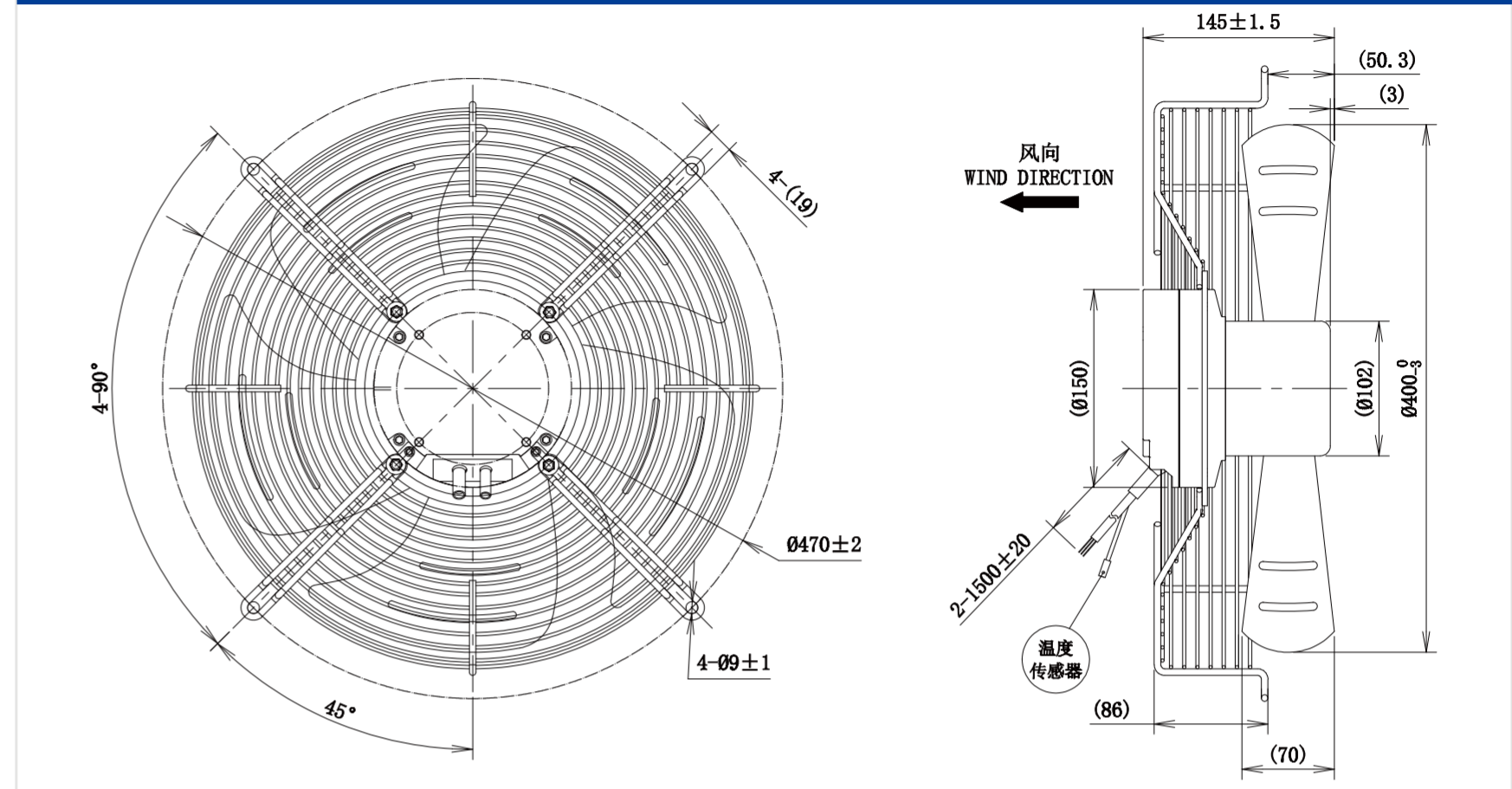
- Material: Sheet steel
- Type of protection: IP54
- Insulation class: B
- Motor type: BLEC Motor
- Operation Temperature: -25 C ~ +60 C
- Techniactal Feature: Control input 0-10VDC/PWM, Tech output, Locked-Rotor protection, Reverse Polarity Over-voltage protection, Soft Start Protection.



Technical Specifications

Model	Voltage (V)	Frequency (Hz)	Current (A)	Power [W(@0Pa)]	Speed (RPM)	Air Volume (m³/h)	Noise [dB(A)]
LWAE3G400SS-5MEW-07	220	50/60	1.6	360	1600	5562	67
LWAE3G400ST-5MEW-08	220	50/60	1.6	360	1600	5562	67

LWAE3G400SS-5MEW-07(Suction) LWAE3G400ST-5MEW-08(Blowing)



LWAE-400 Series

Product Characteristic

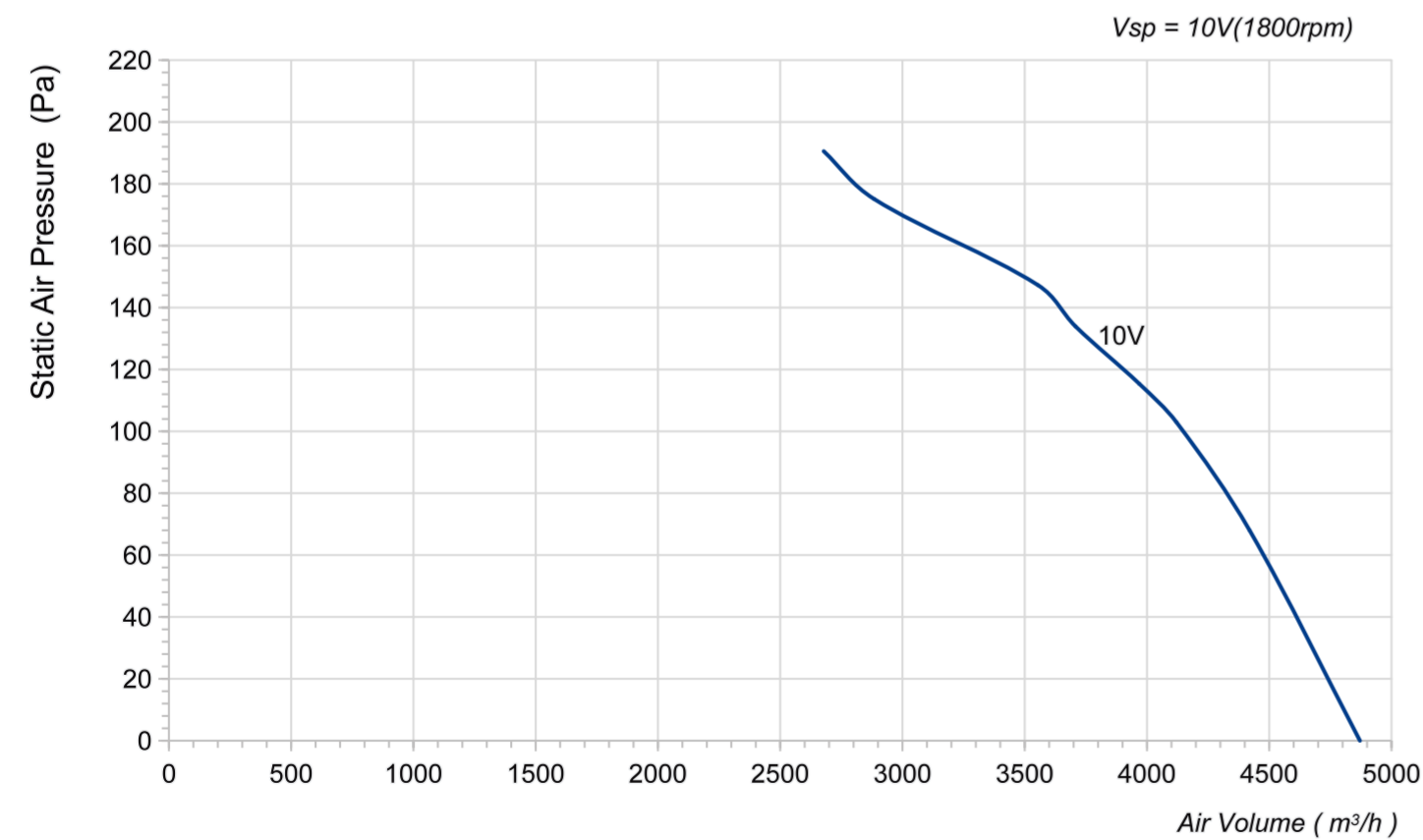
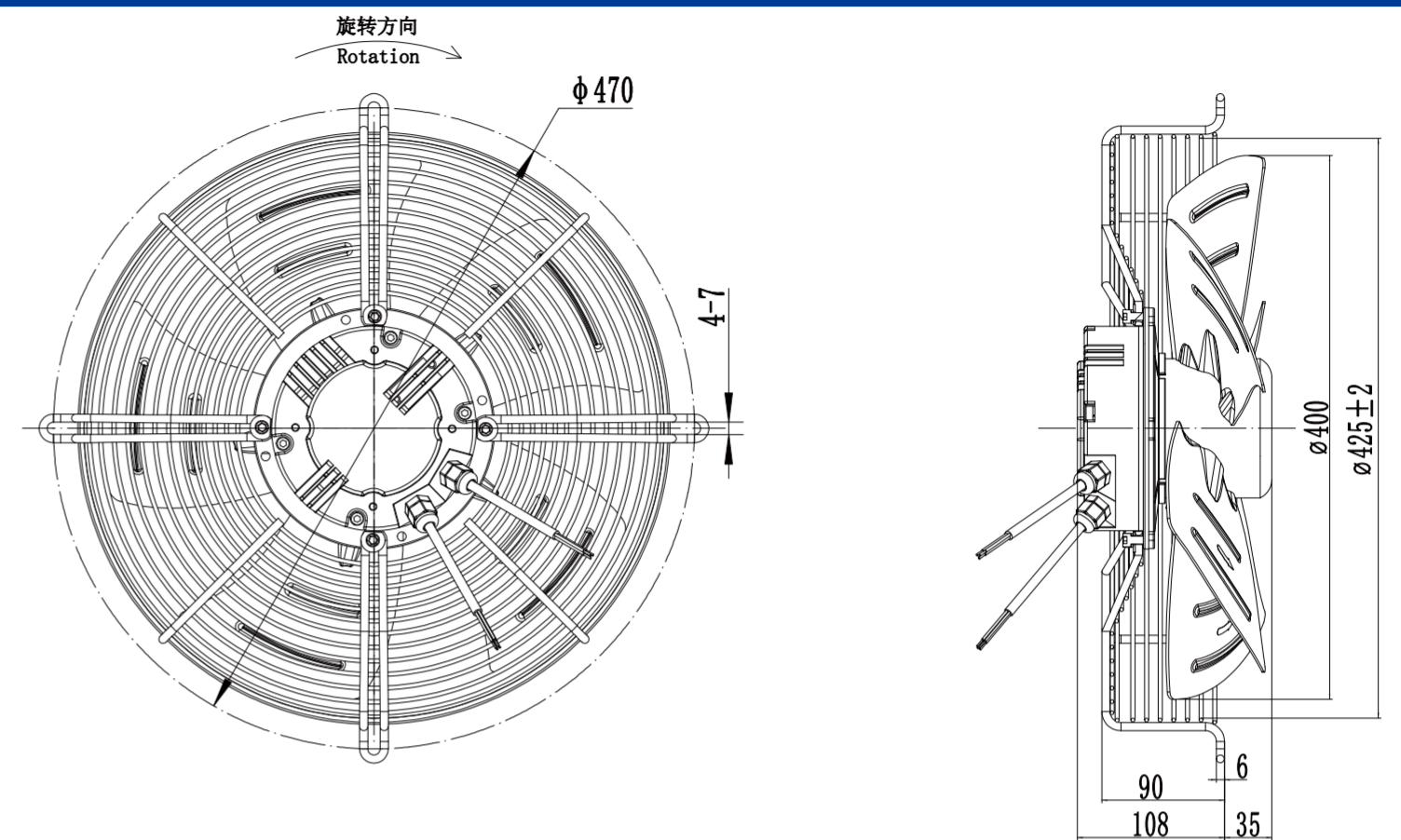
- Material: Sheet steel
- Type of protection: IP54
- Insulation class: F
- Motor type: BLEC Motor
- Operation Temperature: -25 C ~ +60 C
- Techniacal Feature: Control input 0-10VDC/PWM,Tech output,Locked-Rotor protection,Reverse Polarity Over-voltage protection, Soft Start Protection.



Technical Specifications

Model	Voltage (V)	Frequency (Hz)	Current (A)	Power [W(@0Pa)]	Speed (RPM)	Air Volume (m³/h)	Noise [dB(A)]
LWAE3G400SS-5MEW-09	230	50/60	1.17	264	1800	4871	66

LWAE3G400SS-5MEW-09



LWAE-450 Series

Product Characteristic

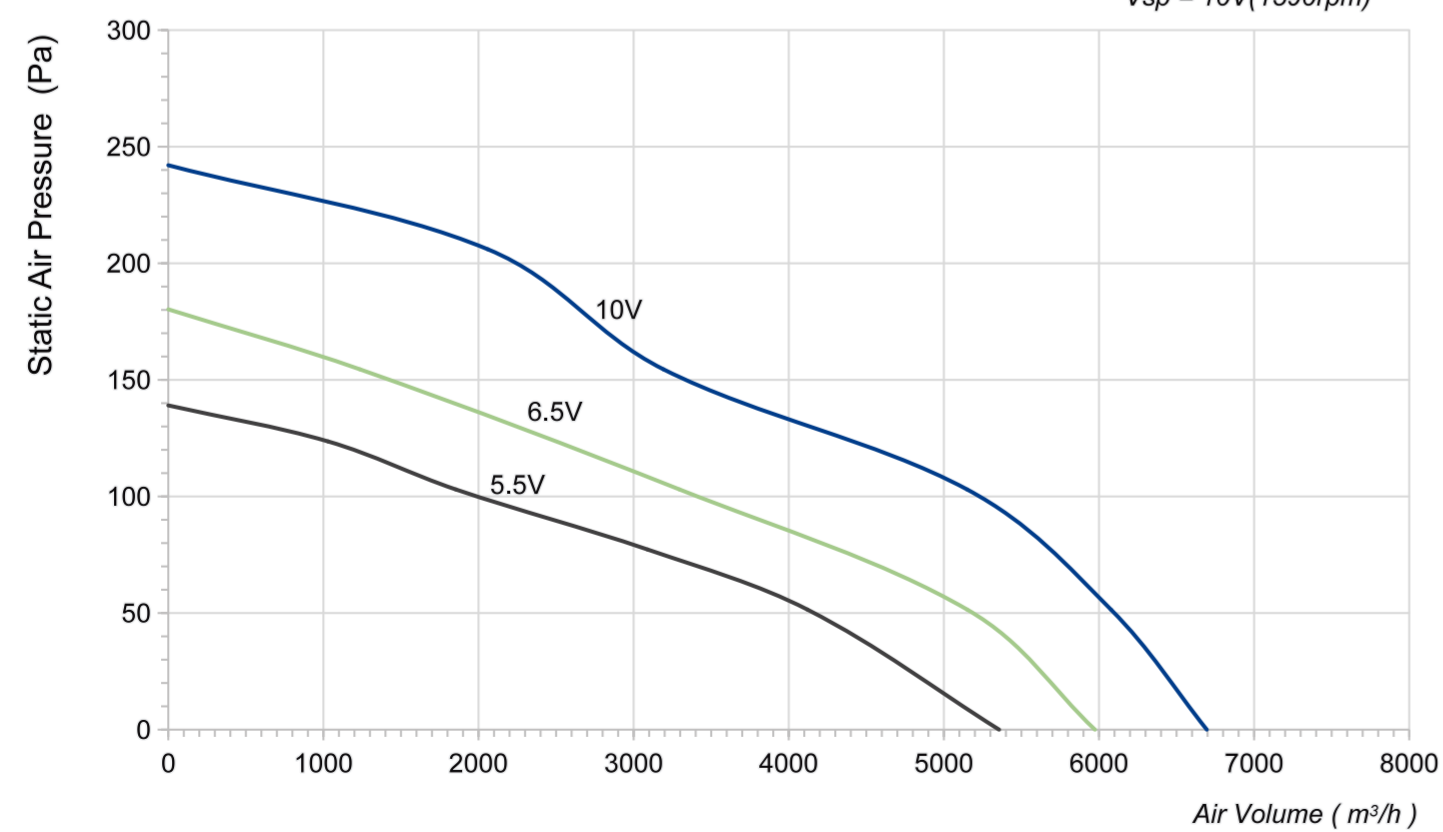
- Material: Sheet steel
- Type of protection: IP54
- Insulation class: B
- Motor type: BLEC Motor
- Operation Temperature: -25 C ~ +60 C
- Techniactal Feature: Control input 0-10VDC/PWM, Tech output, Locked-Rotor protection, Reverse Polarity Over-voltage protection, Soft Start Protection.



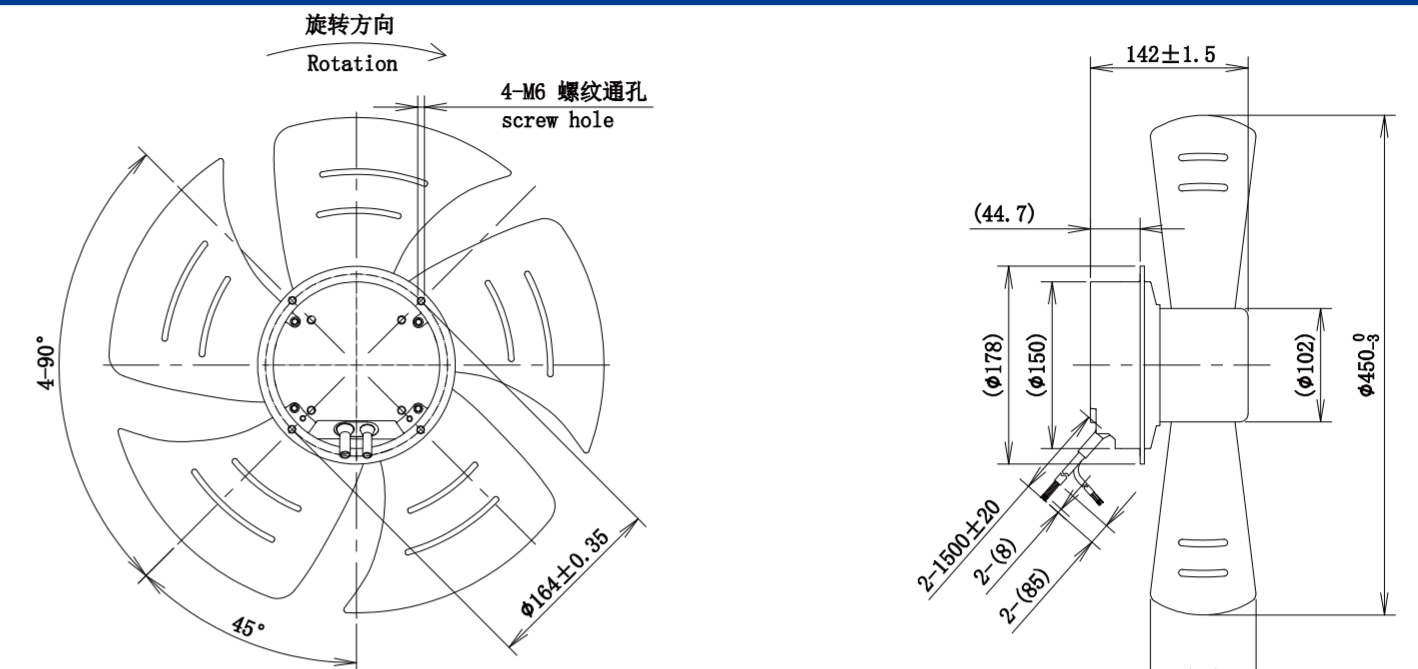
Technical Specifications

Model	Voltage (V)	Frequency (Hz)	Current (A)	Power [W(@0Pa)]	Speed (RPM)	Air Volume (m³/h)	Noise [dB(A)]
LWAE3G450SS-5MNW-01	220	50/60	2.0	420	1590	6695	68
LWAE3G450ST-5MNW-02	220	50/60	2.0	420	1590	6695	68
LWAE3G450SS-5MEW-03	220	50/60	2.0	420	1590	6695	68
LWAE3G450ST-5MEW-04	220	50/60	2.0	420	1590	6695	68
LWAE3G450SS-5MGW-05	220	50/60	2.0	420	1590	6695	68
LWAE3G450ST-5MGW-06	220	50/60	2.0	420	1590	6695	68

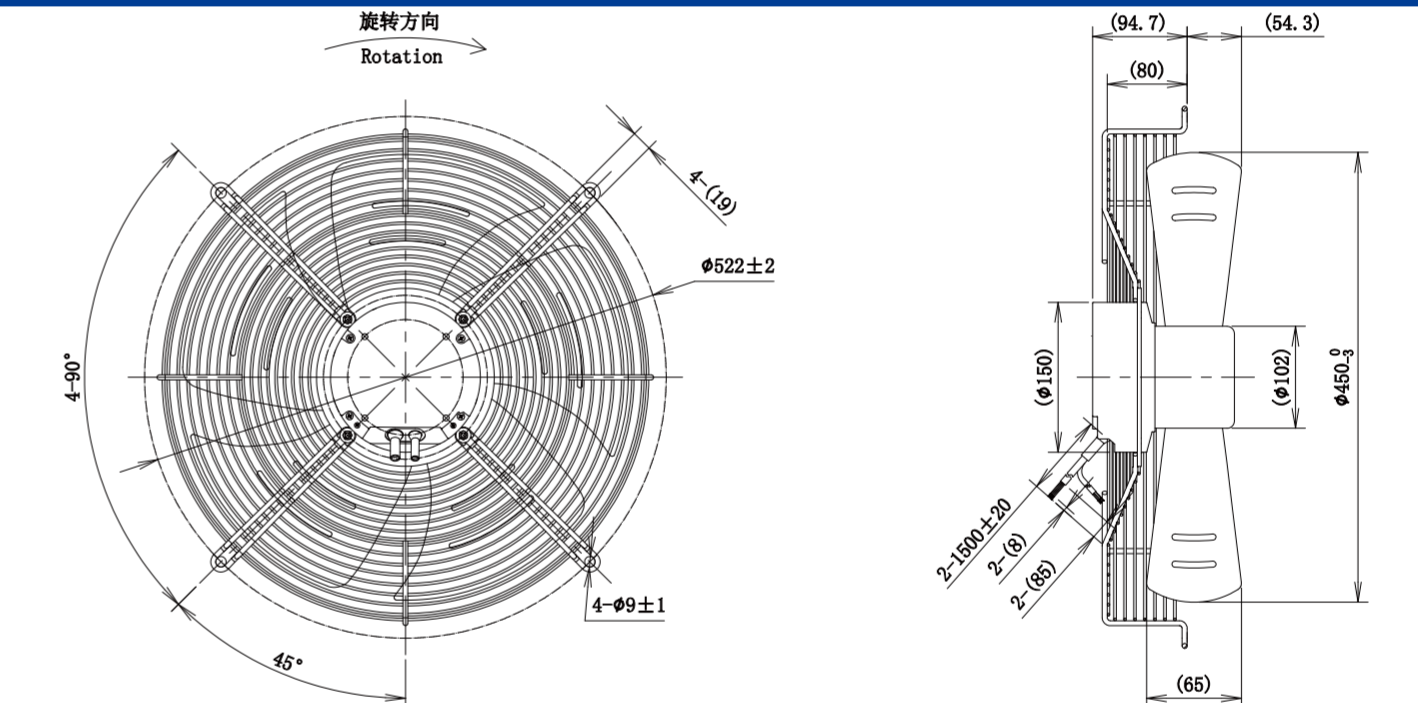
Vsp = 10V(1590rpm)



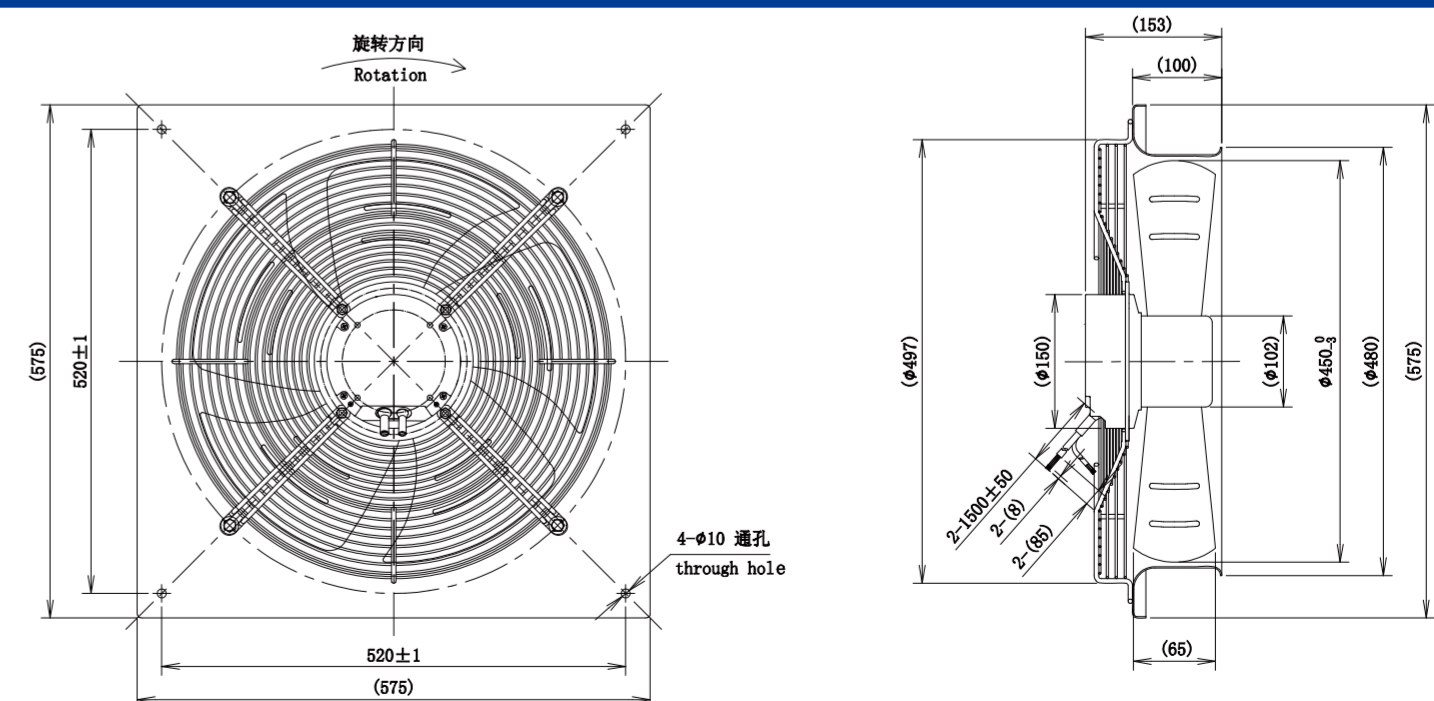
LWAE3G450SS-5MNW-01(Suction) LWAE3G450ST-5MNW-02(Blowing)



LWAE3G450SS-5MEW-03(Suction) LWAE3G450ST-5MEW-04(Blowing)



LWAE3G450SS-5MGW-05(Suction) LWAE3G450ST-5MGW-06(Blowing)



LWAE-450 Series

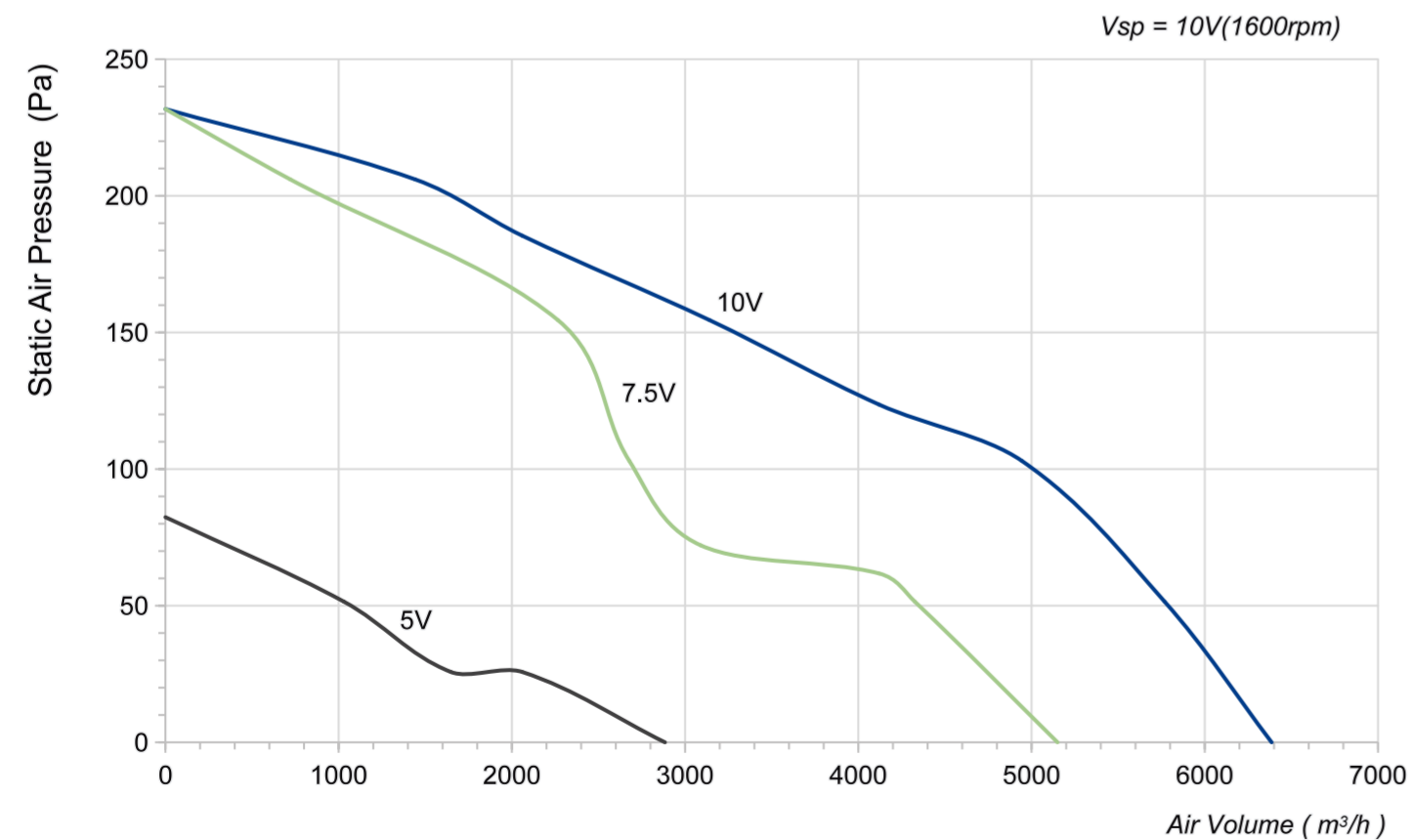
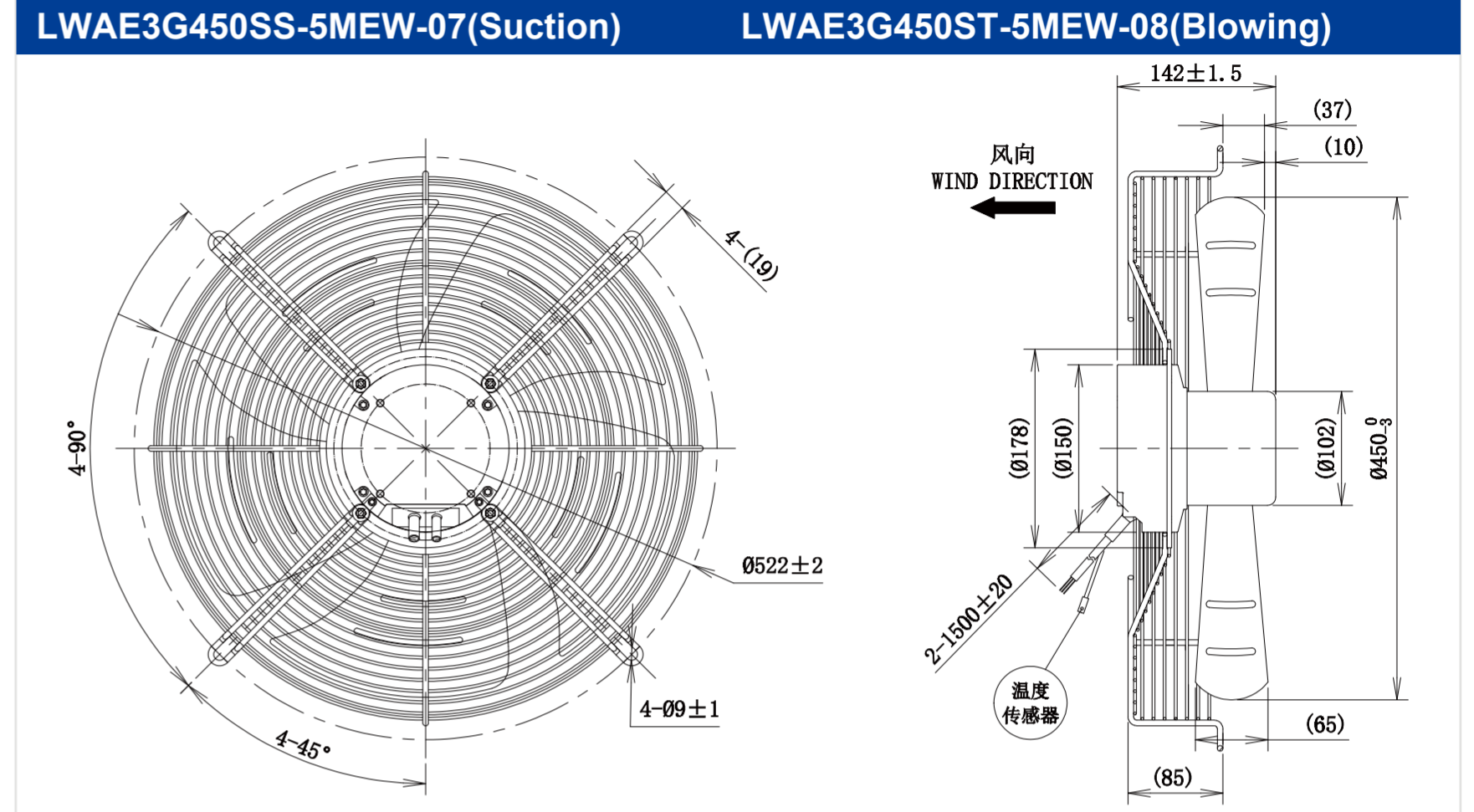
Product Characteristic

- Material: Sheet steel
- Type of protection: IP54
- Insulation class: B
- Motor type: BLEC Motor
- Operation Temperature: -25 C ~ +60 C
- Techniacal Feature: Control input 0-10VDC/PWM,Tech output,Locked-Rotor protection,Reverse Polarity Over-voltage protection, Soft Start Protection.



Technical Specifications

Model	Voltage (V)	Frequency (Hz)	Current (A)	Power [W(@0Pa)]	Speed (RPM)	Air Volume (m³/h)	Noise [dB(A)]
LWAE3G450SS-5MEW-07	220	50/60	2.15	445	1600	6386	68
LWAE3G450ST-5MEW-08	220	50/60	2.15	445	1600	6386	68





LWAE-450 Series

Product Characteristic

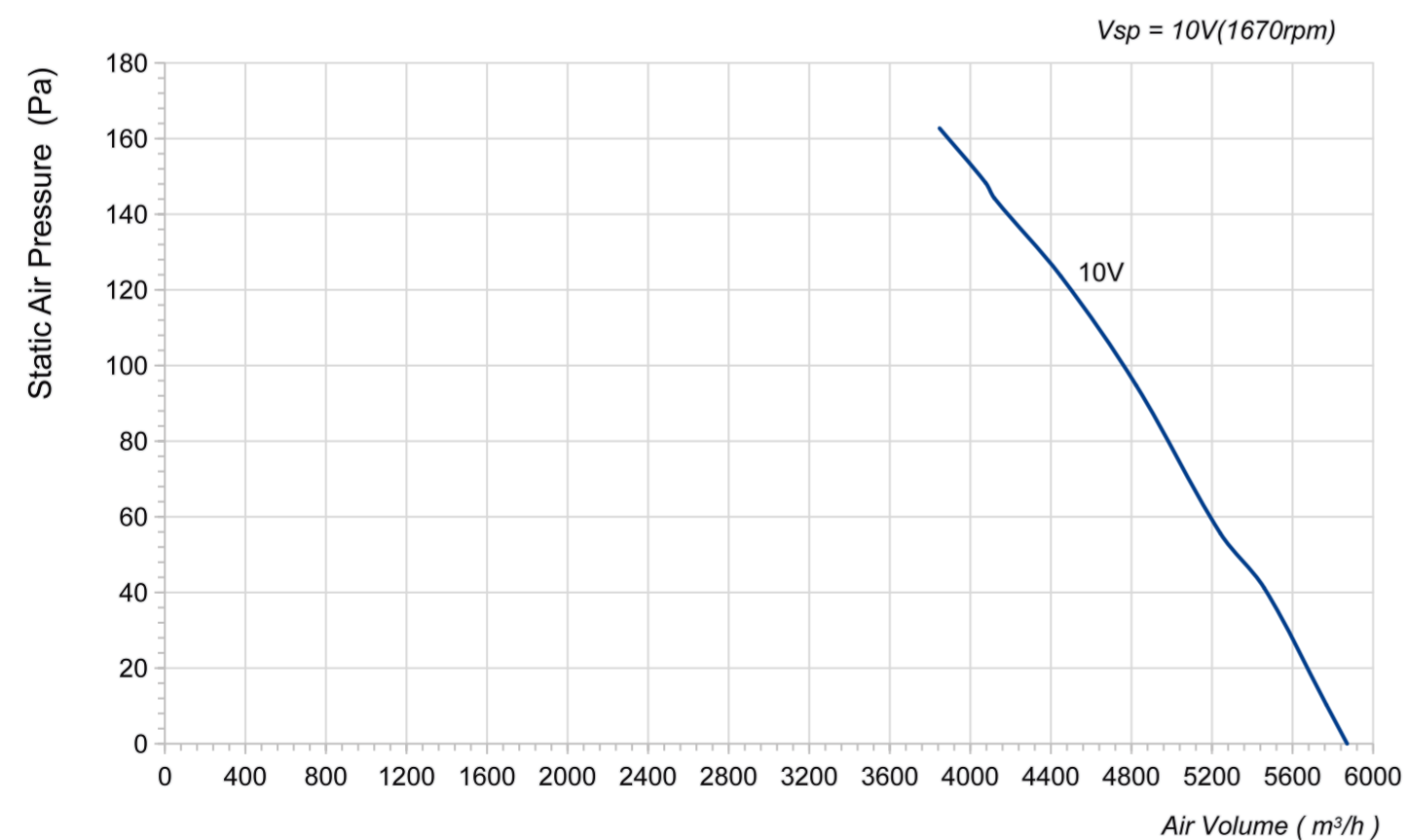
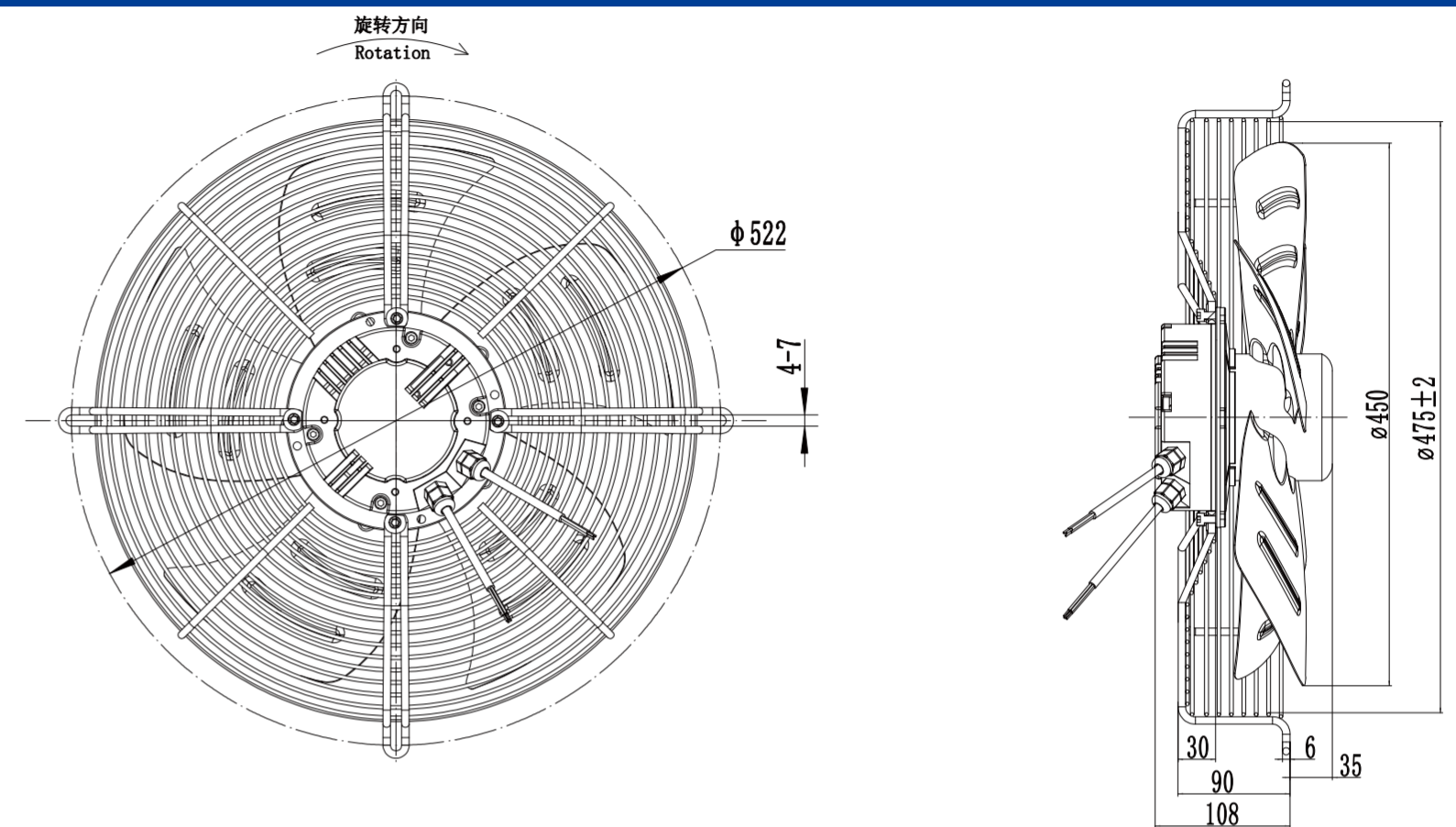
- Material: Sheet steel
- Type of protection: IP54
- Insulation class: F
- Motor type: BLEC Motor
- Operation Temperature: -25 C ~ +60 C
- Techniacal Feature: Control input 0-10VDC/PWM, Tech output, Locked-Rotor protection, Reverse Polarity Over-voltage protection, Soft Start Protection.



Technical Specifications

Model	Voltage (V)	Frequency (Hz)	Current (A)	Power [W(@0Pa)]	Speed (RPM)	Air Volume (m³/h)	Noise [dB(A)]
LWAE3G450SS-5MEW-09	230	50/60	1.16	264	1670	5871	67

LWAE3G450SS-5MEW-09



LWAE-450 Series

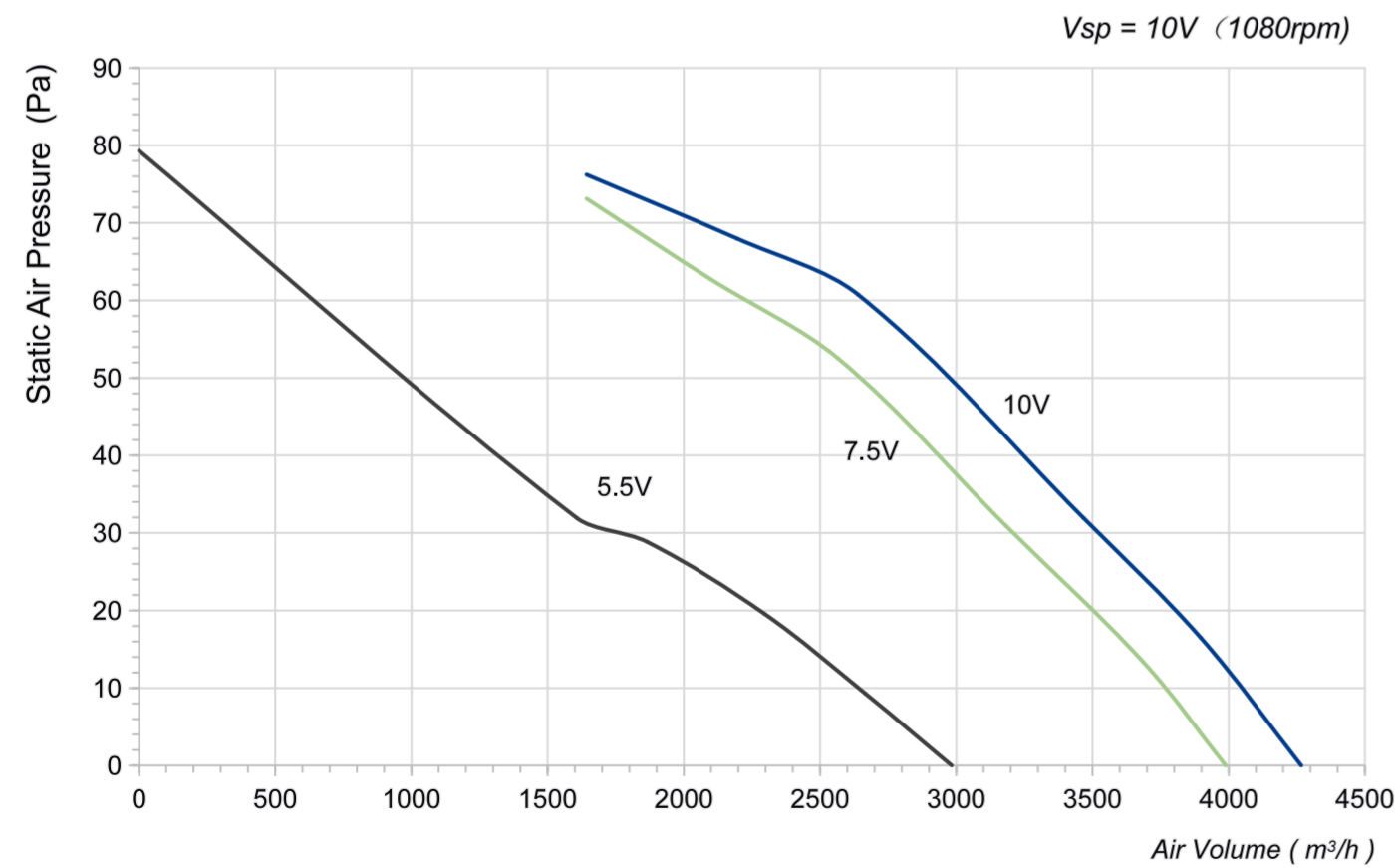
Product Characteristic

- Material: PA66
- Type of protection: IP44
- Insulation class: B
- Motor type: BLEC Motor
- Operation Temperature: -20 C ~ +60 C
- Techniacal Feature: Control input 0-10VDC/PWM, Tech output, Locked-Rotor protection, Reverse Polarity Over-voltage protection, Soft Start Protection.

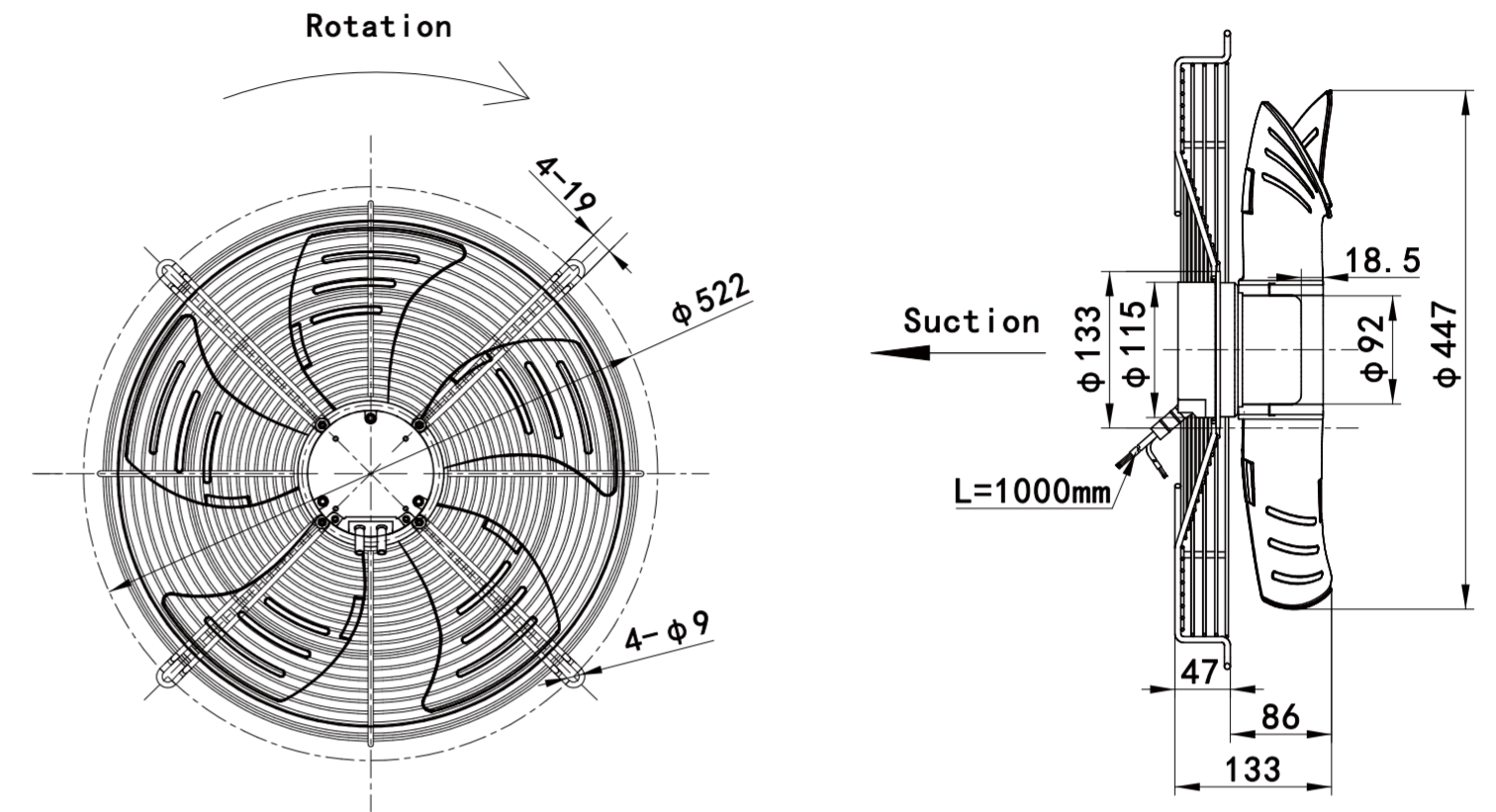


Technical Specifications

Model	Voltage (V)	Frequency (Hz)	Current (A)	Power [W(@0Pa)]	Speed (RPM)	Air Volume (m³/h)	Noise [dB(A)]
LWAE3G450SS-5PEW-10	220	50/60	0.72	100	1080	4266	52



LWAE3G450SS-5PEW-10



LWAE-500 Series

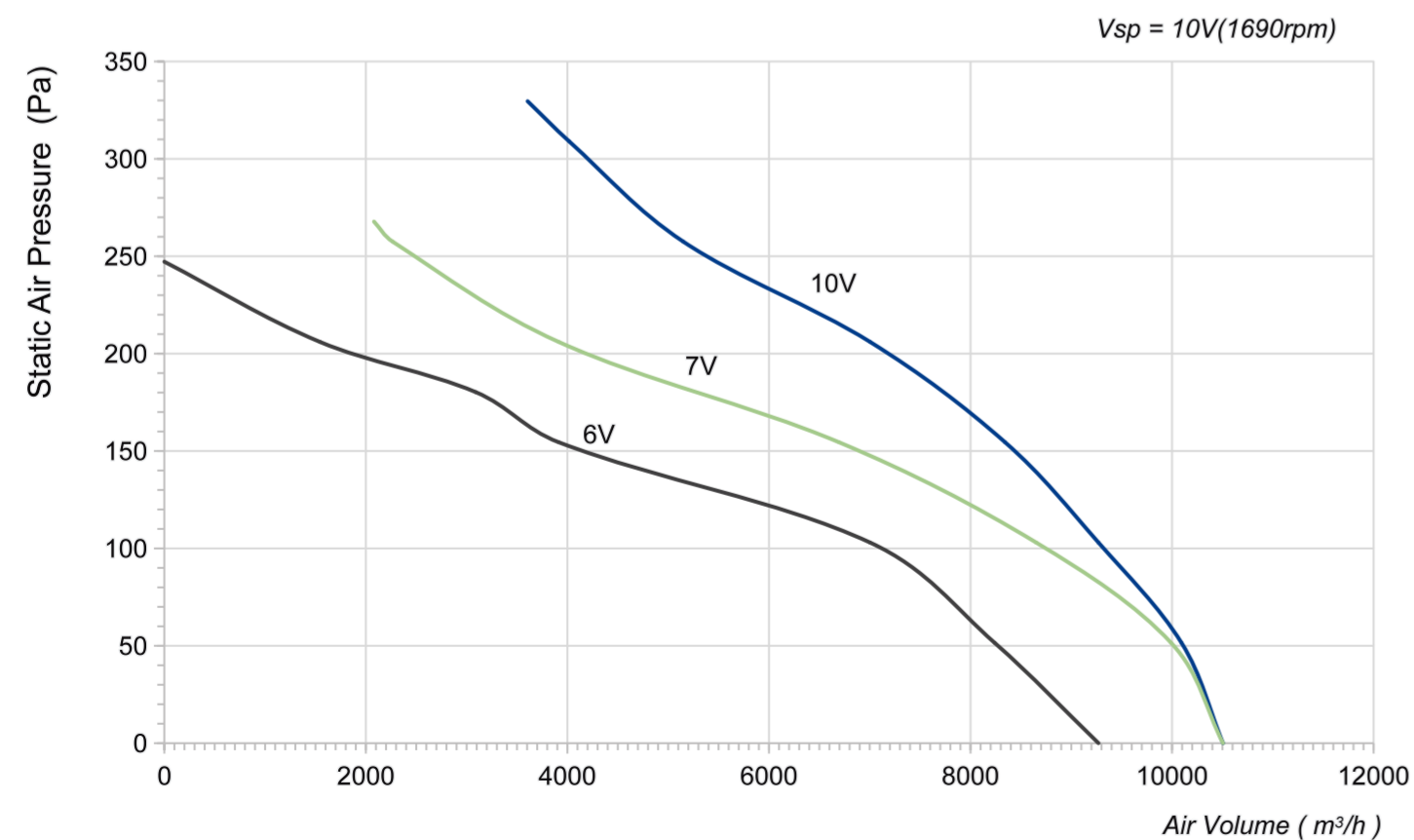
Product Characteristic

- Material: Sheet steel
- Type of protection: IP54
- Insulation class: F
- Motor type: BLEC Motor
- Operation Temperature: -25 C ~ +60 C
- Techniactal Feature: Control input 0-10VDC/PWM, Tech output, Locked-Rotor protection, Reverse Polarity Over-voltage protection, Soft Start Protection.

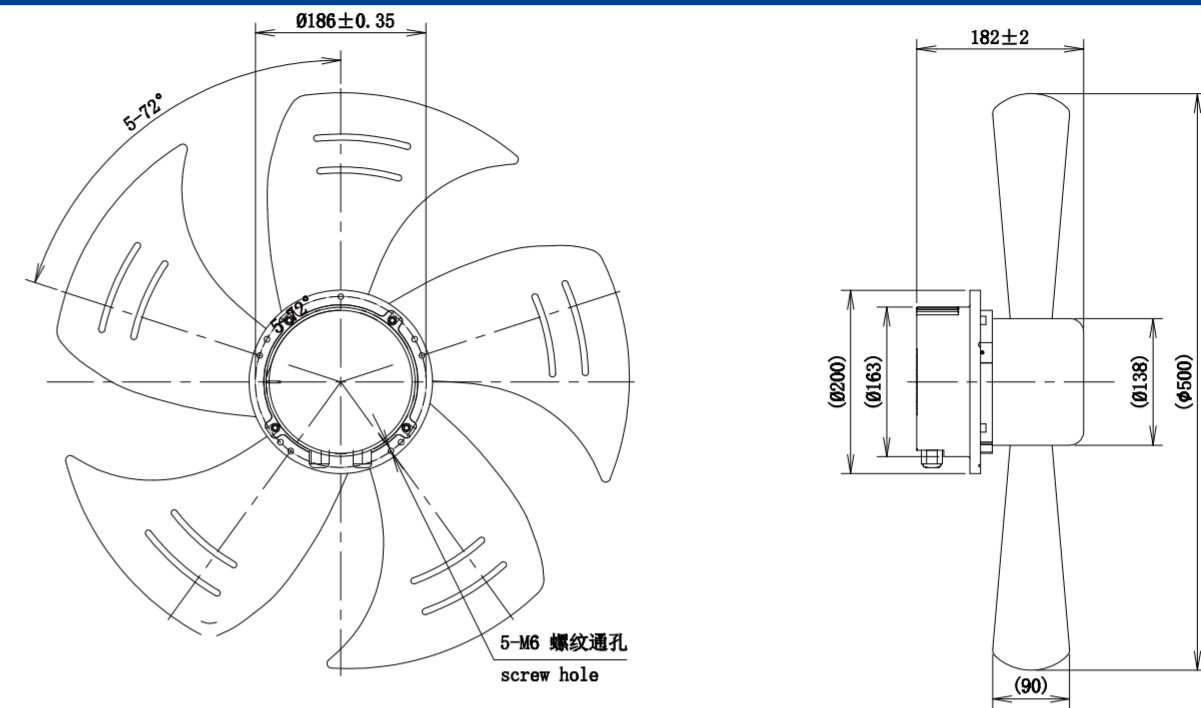


Technical Specifications

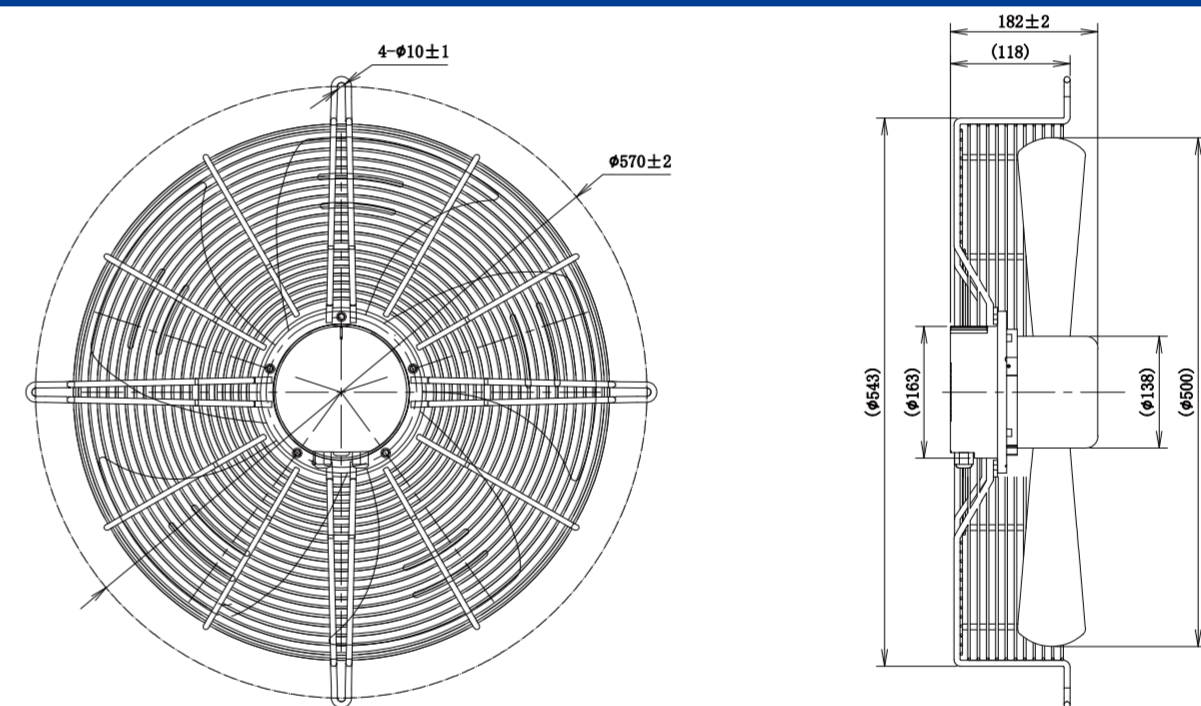
Model	Voltage (V)	Frequency (Hz)	Current (A)	Power [W(@0Pa)]	Speed (RPM)	Air Volume (m³/h)	Noise [dB(A)]
LWAE3G500TS-5MNW-01	3-380	50/60	1.5	850	1690	10506	78
LWAE3G500TT-5MNW-02	3-380	50/60	1.5	850	1690	10506	78
LWAE3G500TS-5MEW-03	3-380	50/60	1.5	850	1690	10506	78
LWAE3G500TT-5MEW-04	3-380	50/60	1.5	850	1690	10506	78
LWAE3G500TS-5MKW-05	3-380	50/60	1.5	850	1690	10506	78
LWAE3G500TT-5MKW-06	3-380	50/60	1.5	850	1690	10506	78



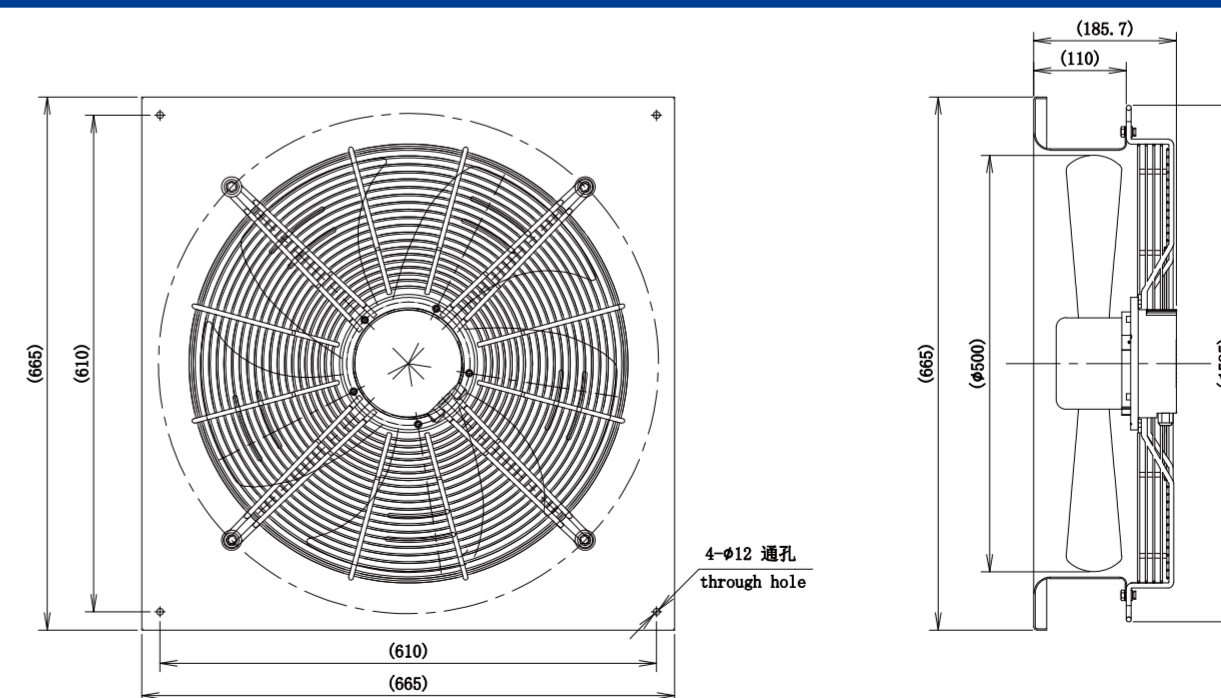
LWAE3G500TS-5MNW-01(Suction) LWAE3G500TT-5MNW-02(Blowing)



LWAE3G500TS-5MEW-03(Suction) LWAE3G500TT-5MEW-04(Blowing)



LWAE3G500TS-5MKW-05(Suction) LWAE3G500TT-5MKW-06(Blowing)



LWAE-500 Series

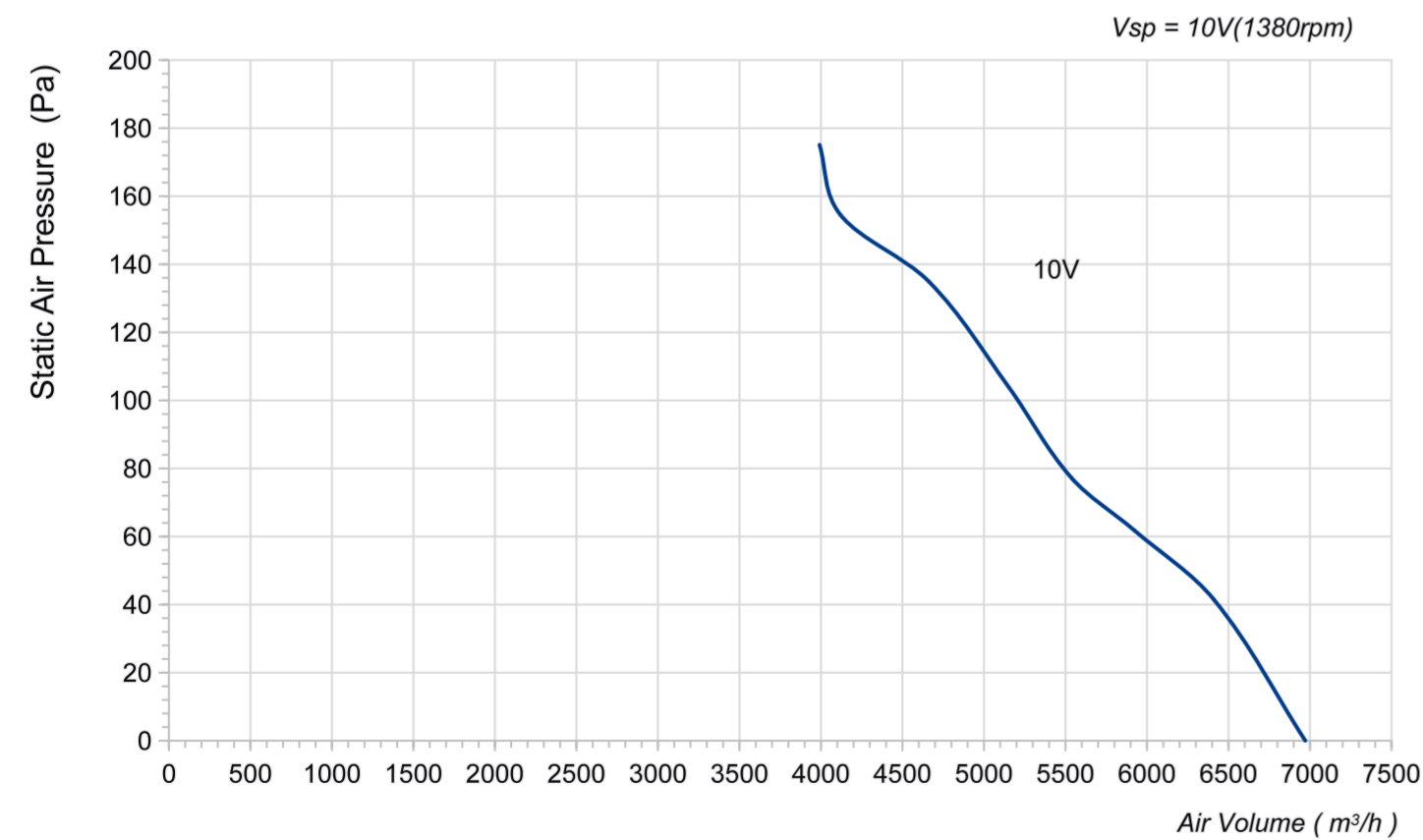
Product Characteristic

- Material: Sheet steel
- Type of protection: IP54
- Insulation class: F
- Motor type: BLEC Motor
- Operation Temperature: -25 C ~ +60 C
- Techniacal Feature: Control input 0-10VDC/PWM,Tech output,Locked-Rotor protection,Reverse Polarity Over-voltage protection, Soft Start Protection.

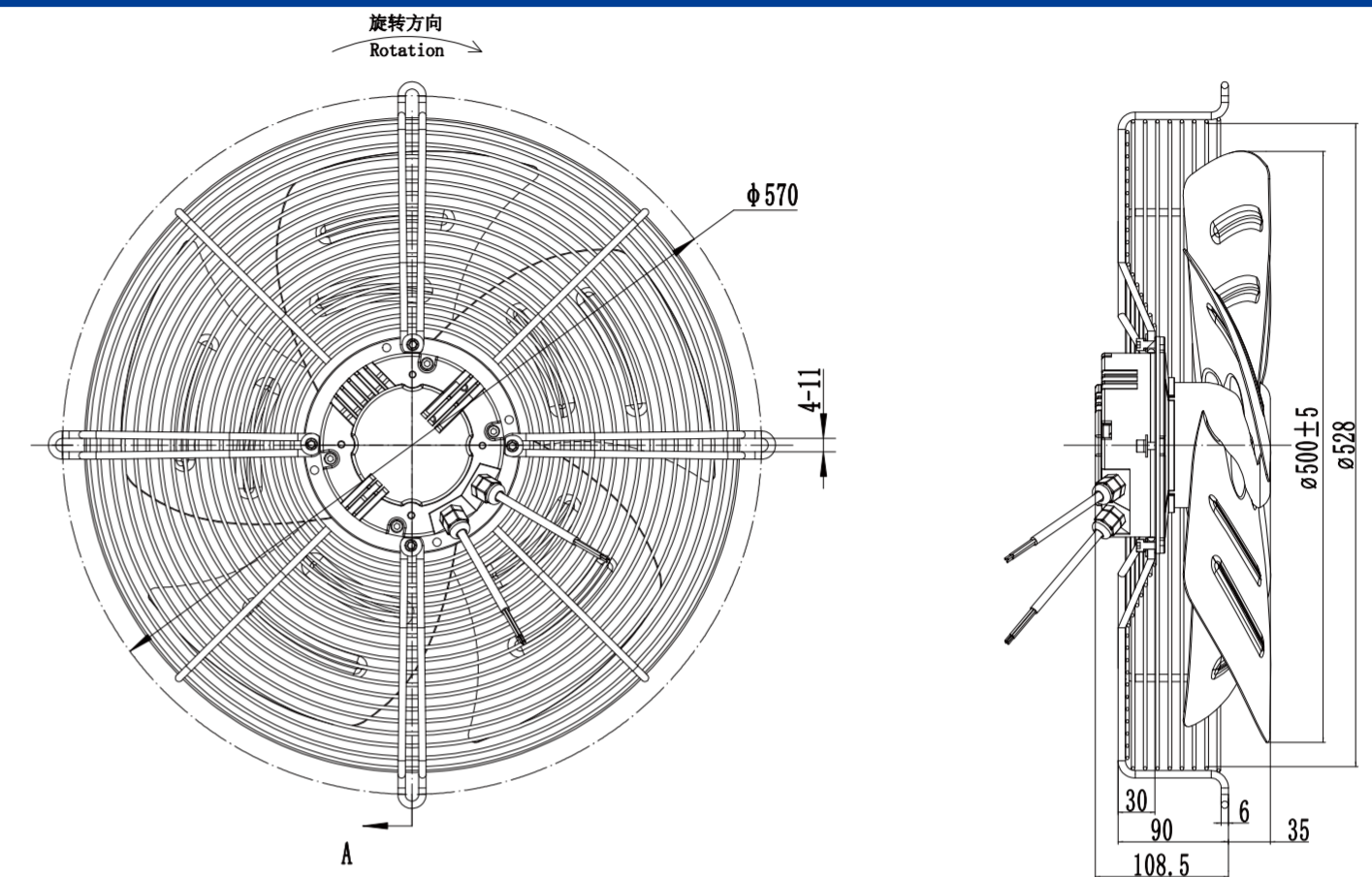


Technical Specifications

Model	Voltage (V)	Frequency (Hz)	Current (A)	Power [W(@0Pa)]	Speed (RPM)	Air Volume (m³/h)	Noise [dB(A)]
LWAE3G500SS-5MEW-11	230	50/60	1.5	343	1380	6971	67



LWAE3G500SS-5MEW-11



LWAE-500 Series

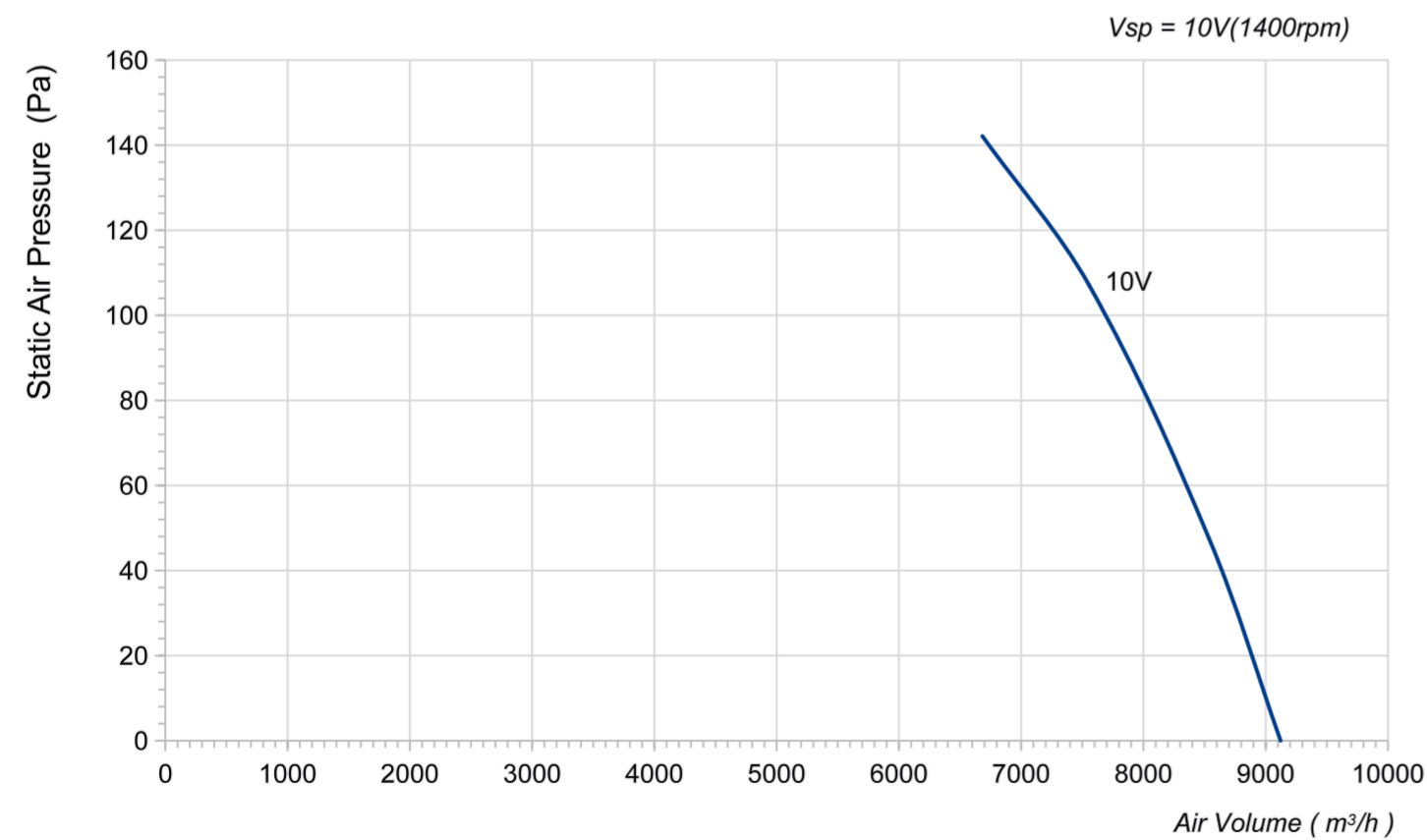
Product Characteristic

- Material: PA66
- Type of protection: IP54
- Insulation class: F
- Motor type: BLEC Motor
- Operation Temperature: -25 C ~ +60 C
- Techniactal Feature: Control input 0-10VDC/PWM/RS485, Tech output, Locked-Rotor protection, Reverse Polarity, Over-voltage protection, Soft Start Protection.

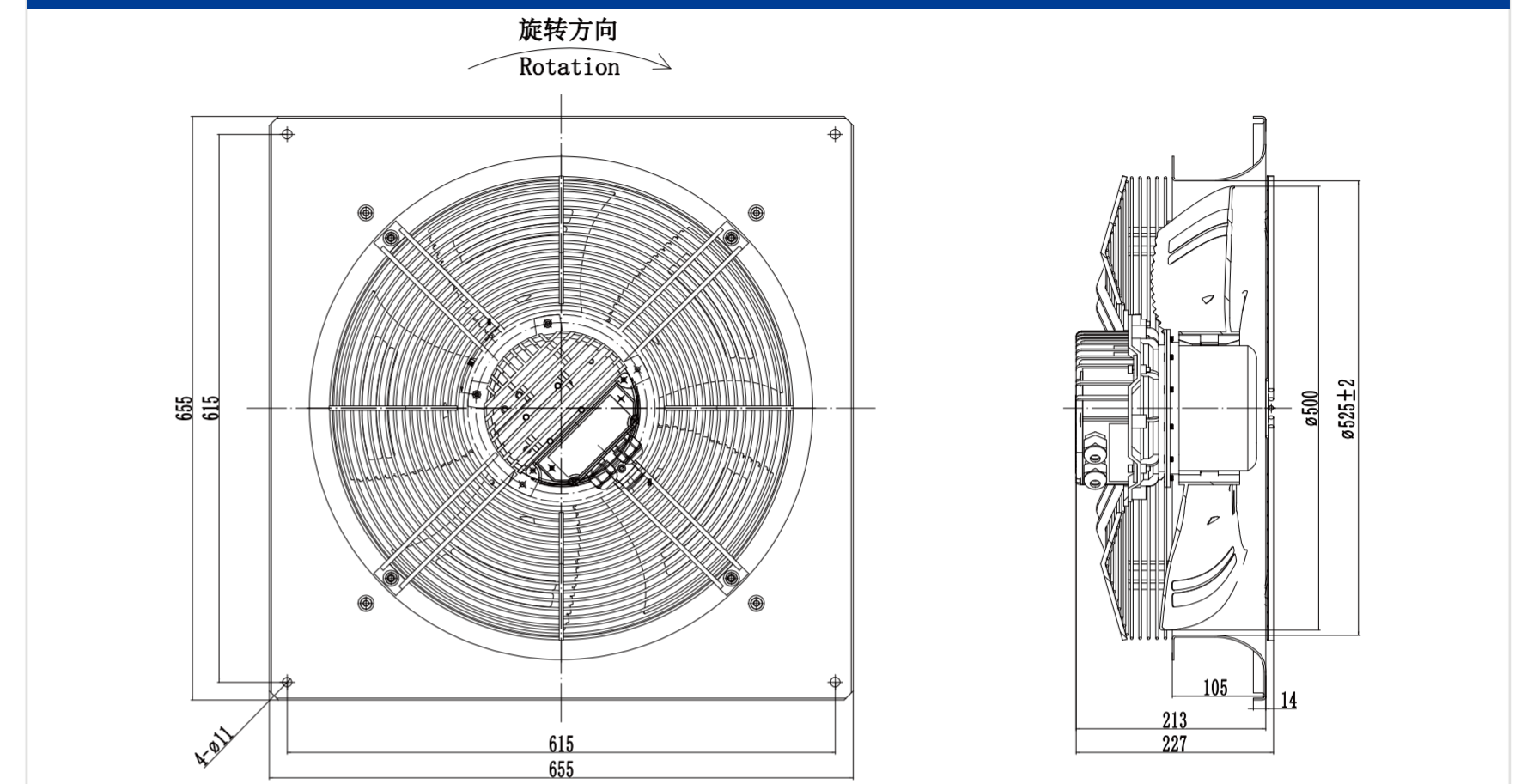


Technical Specifications

Model	Voltage (V)	Frequency (Hz)	Current (A)	Power [W(@0Pa)]	Speed (RPM)	Air Volume (m³/h)	Noise [dB(A)]
LWAE3G500SS-5PKW-12	230	50/60	2.25	586	1400	9122	70



LWAE3G500SS-5PKW-12



LWAE-500 Series

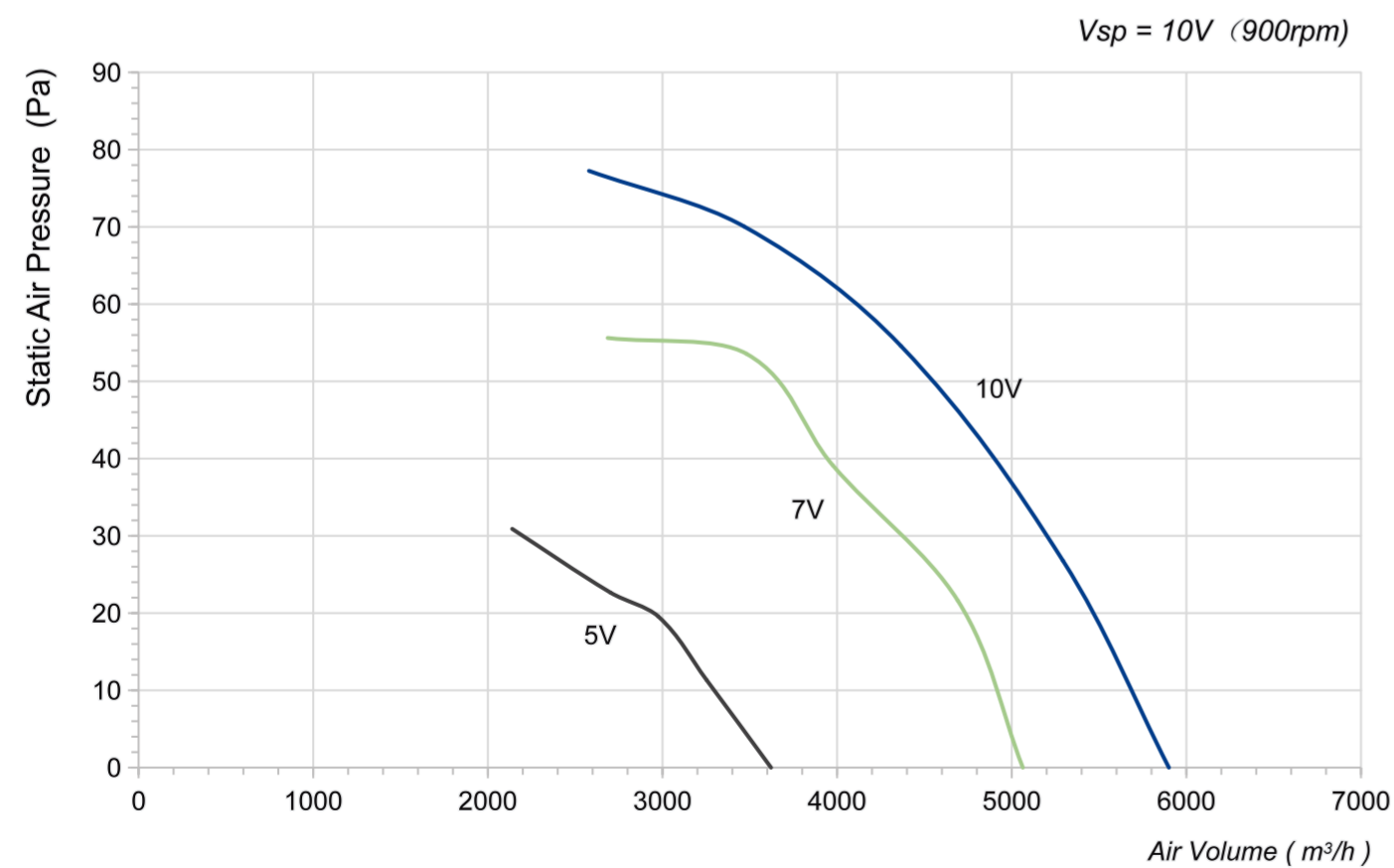
Product Characteristic

- Material: PA66
- Type of protection: IP54
- Insulation class: B
- Motor type: BLEC Motor
- Operation Temperature: -20 C ~ +60 C
- Techniacal Feature: Control input 0-10VDC/PWM/RS485, Tech output, Locked-Rotor protection, Reverse Polarity, Over-voltage protection, Soft Start Protection.

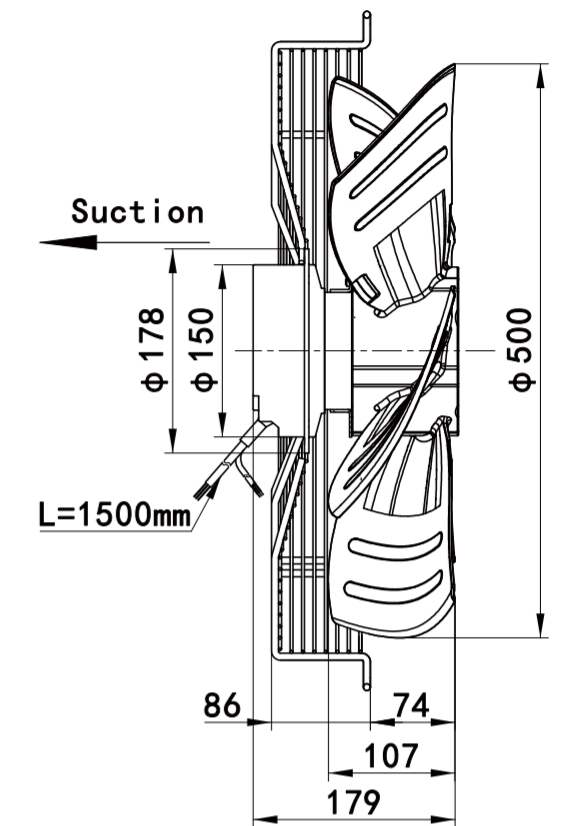
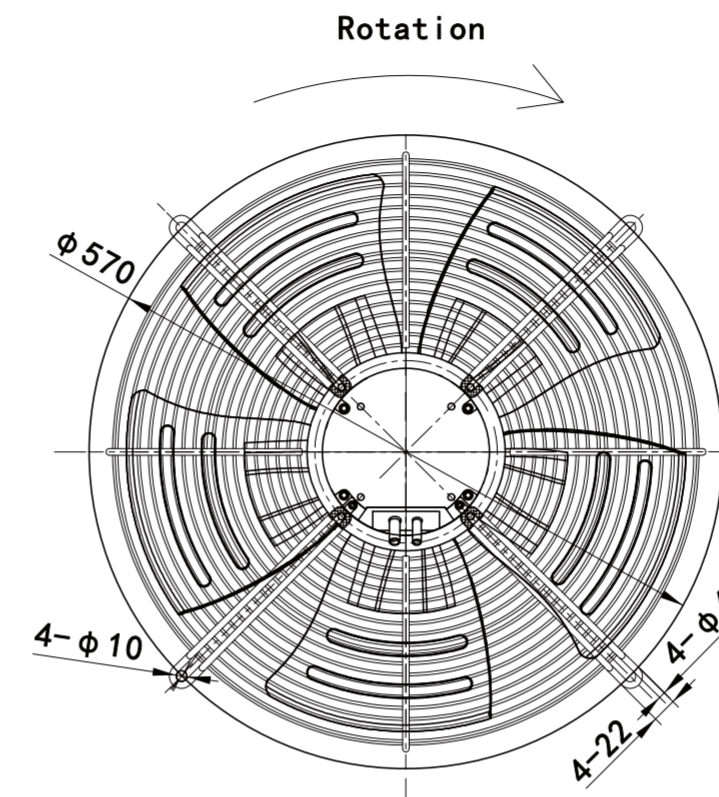


Technical Specifications

Model	Voltage (V)	Frequency (Hz)	Current (A)	Power [W(@0Pa)]	Speed (RPM)	Air Volume (m³/h)	Noise [dB(A)]
LWAE3G500SS-5PEW-15	220	50/60	1.4	200	900	5900	56



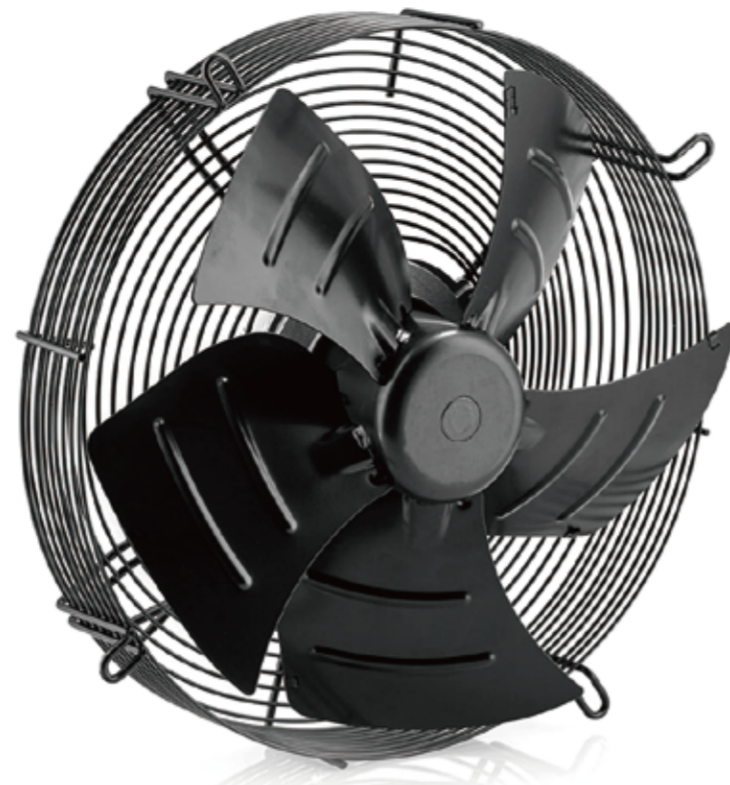
LWAE3G500SS-5PEW-15



LWAE-550 Series

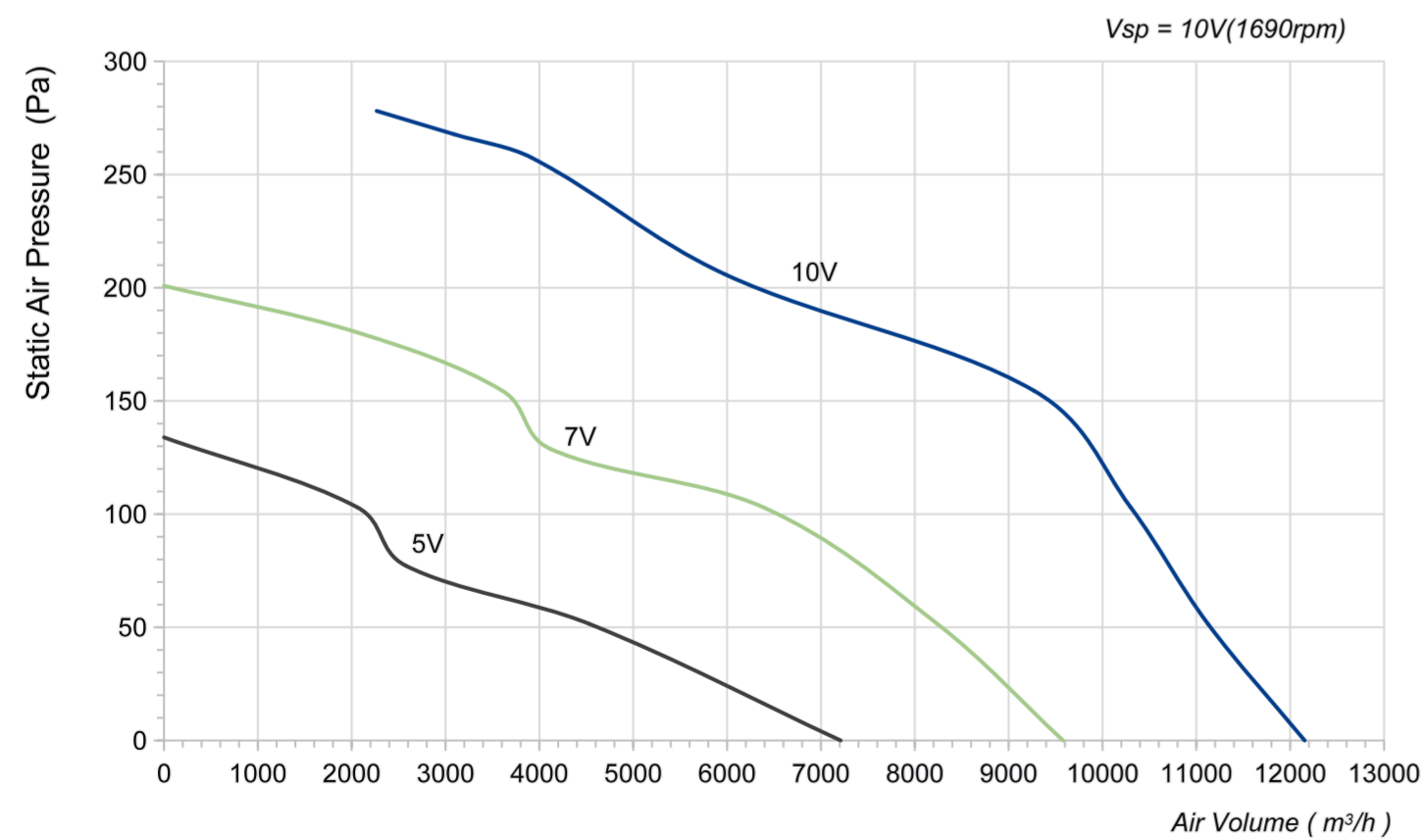
Product Characteristic

- Material: Sheet steel
- Type of protection: IP54
- Insulation class: F
- Motor type: BLEC Motor
- Operation Temperature: -25 C ~ +60 C
- Techniactal Feature: Control input 0-10VDC/PWM, Tech output, Locked-Rotor protection, Reverse Polarity Over-voltage protection, Soft Start Protection.

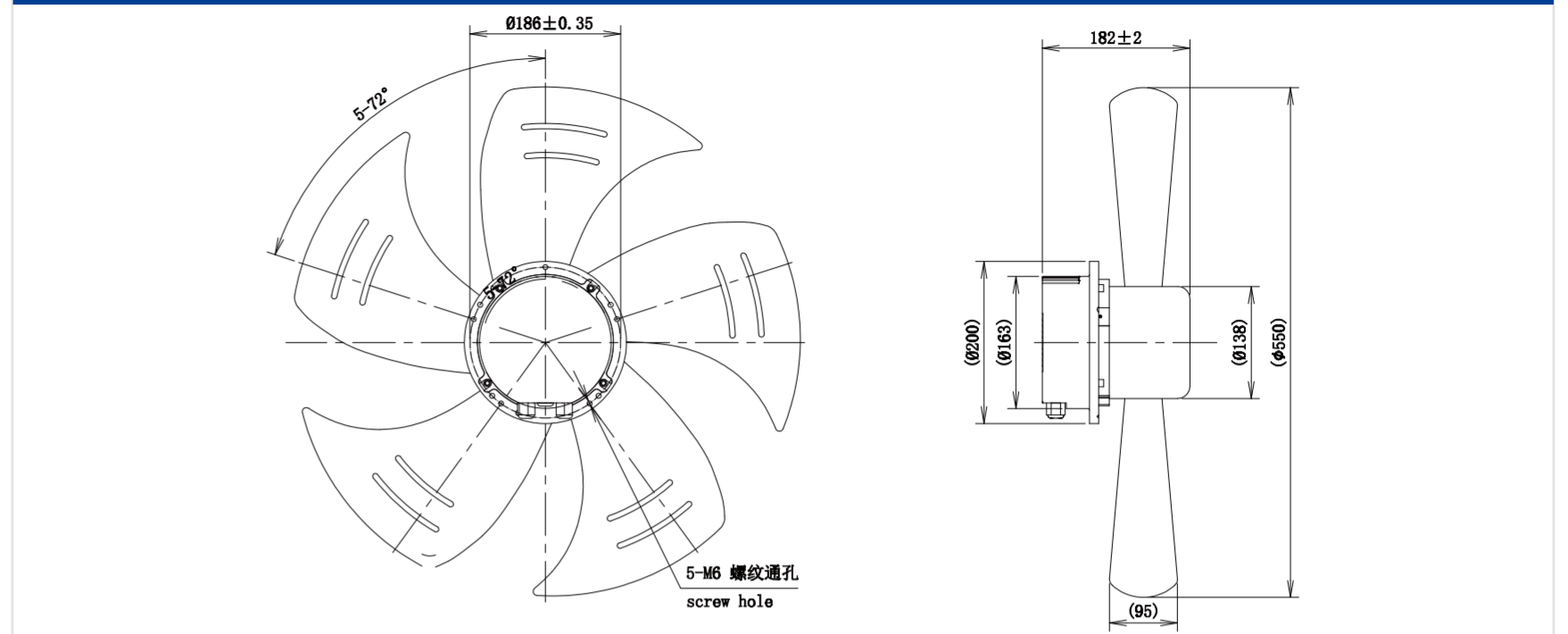


Technical Specifications

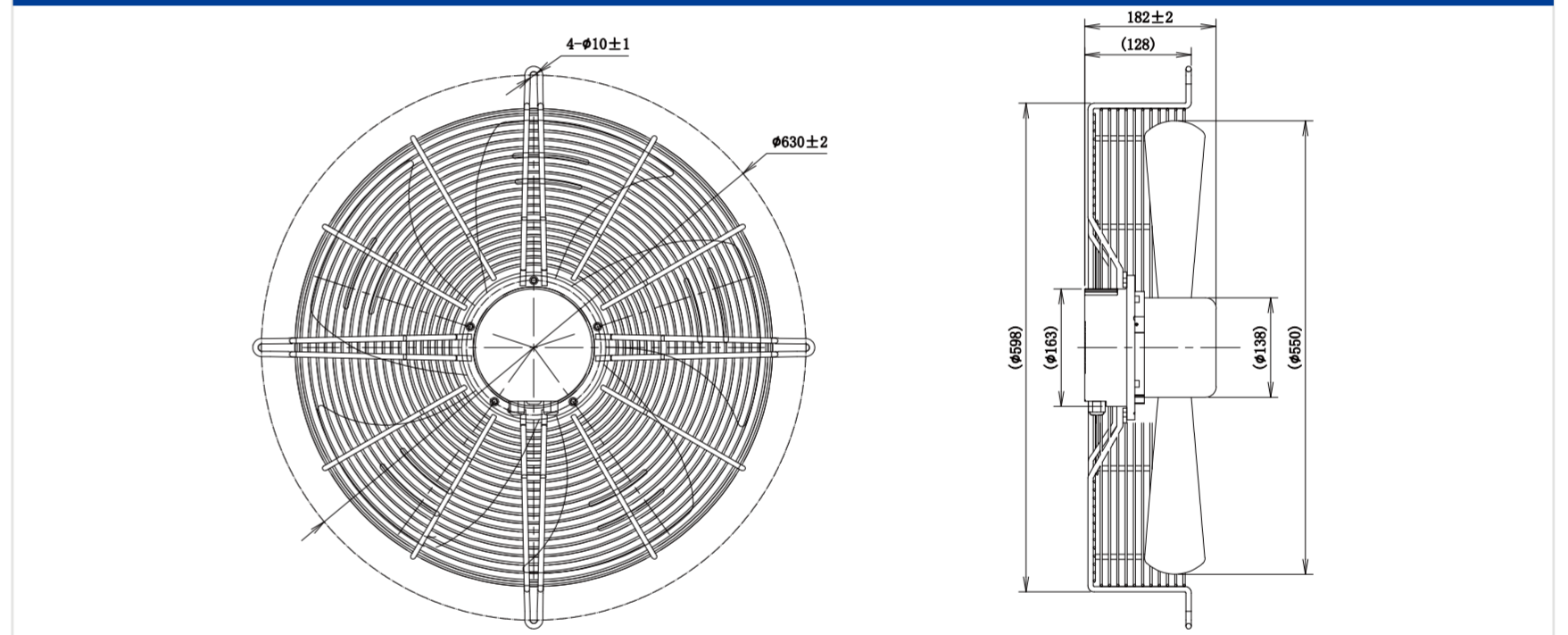
Model	Voltage (V)	Frequency (Hz)	Current (A)	Power [W(@0Pa)]	Speed (RPM)	Air Volume (m³/h)	Noise [dB(A)]
LWAE3G550TS-5MNW-01	3-380	50/60	1.65	950	1690	12154	78
LWAE3G550TT-5MNW-02	3-380	50/60	1.65	950	1690	12154	78
LWAE3G550TS-5MEW-03	3-380	50/60	1.65	950	1690	12154	78
LWAE3G550TT-5MEW-04	3-380	50/60	1.65	950	1690	12154	78
LWAE3G550TS-5MKW-05	3-380	50/60	1.65	950	1690	12154	78
LWAE3G550TT-5MKW-06	3-380	50/60	1.65	950	1690	12154	78



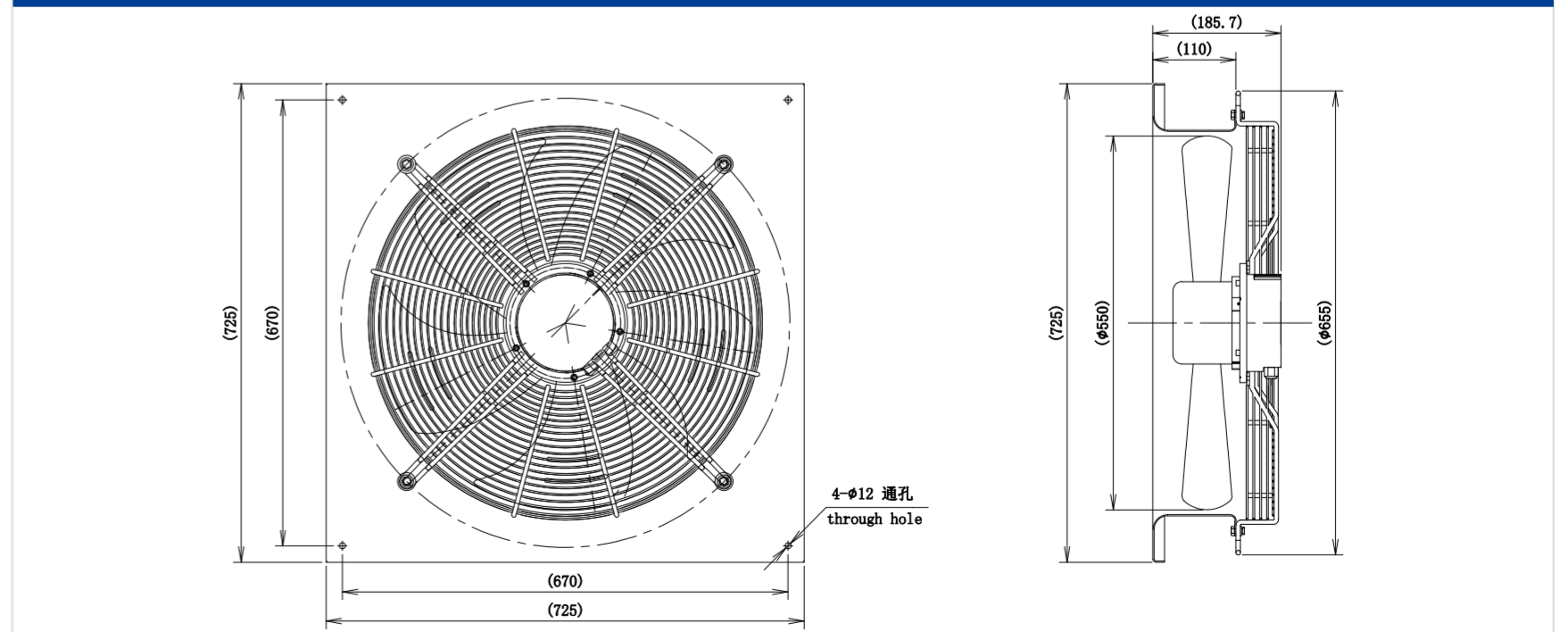
LWAE3G550TS-5MNW-01(Suction) LWAE3G550TT-5MNW-02(Blowing)



LWAE3G550TS-5MEW-03(Suction) LWAE3G550TT-5MEW-04(Blowing)



LWAE3G550TS-5MKW-05(Suction) LWAE3G550TT-5MKW-06(Blowing)



LWAE-630 Series

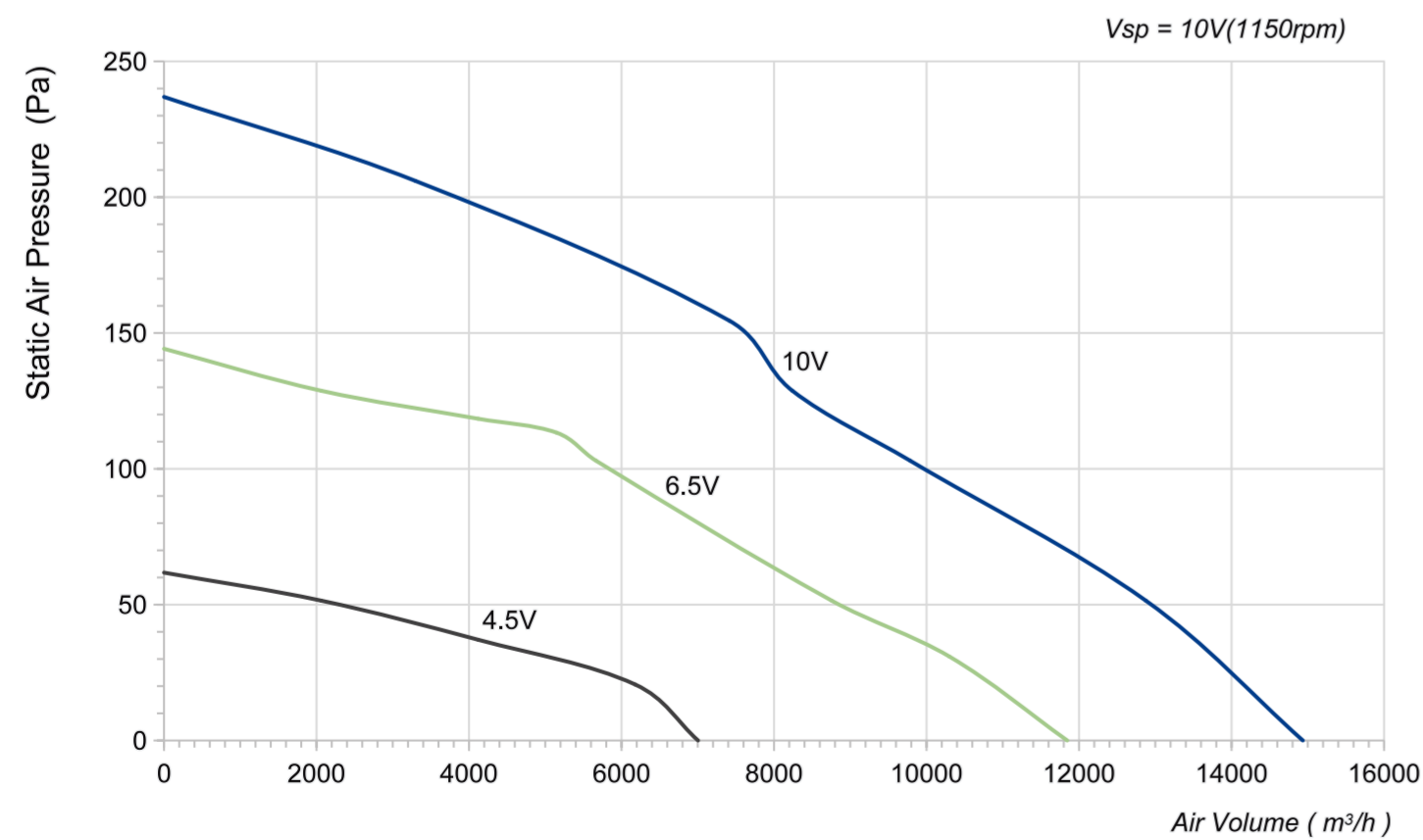
Product Characteristic

- Material: Sheet steel
- Type of protection: IP54
- Insulation class: F
- Motor type: BLEC Motor
- Operation Temperature: -25 C ~ +60 C
- Techniactal Feature: Control input 0-10VDC/PWM, Tech output, Locked-Rotor protection, Reverse Polarity Over-voltage protection, Soft Start Protection.

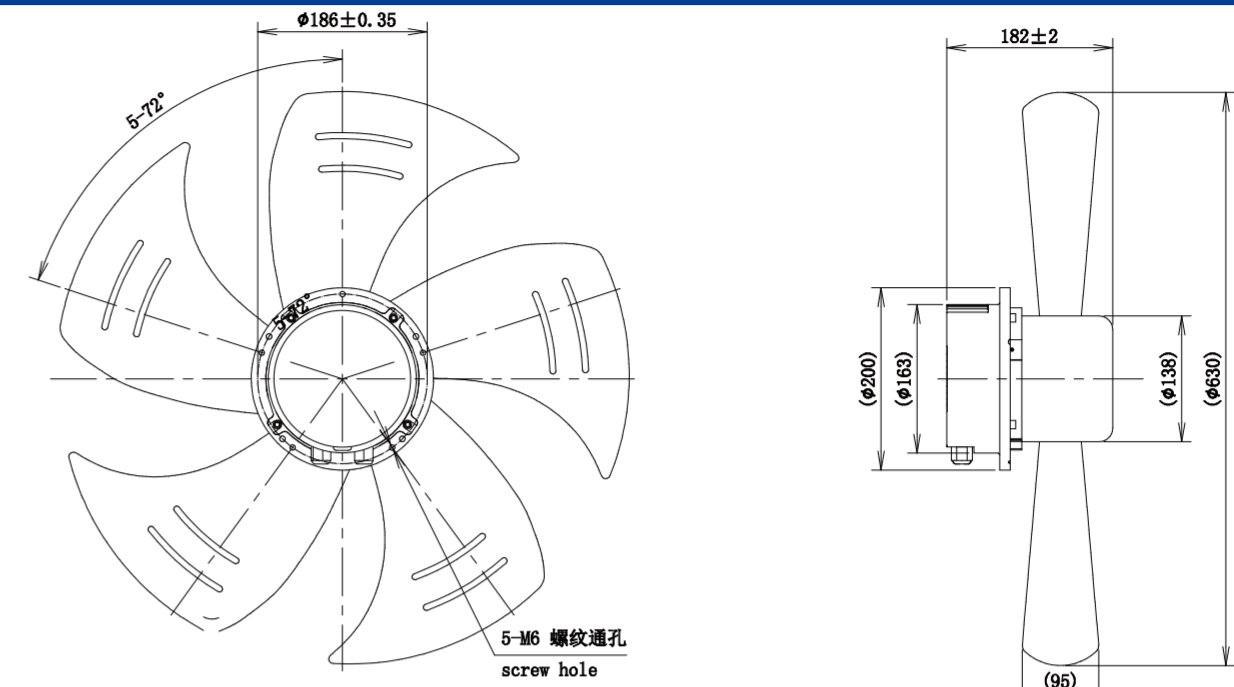


Technical Specifications

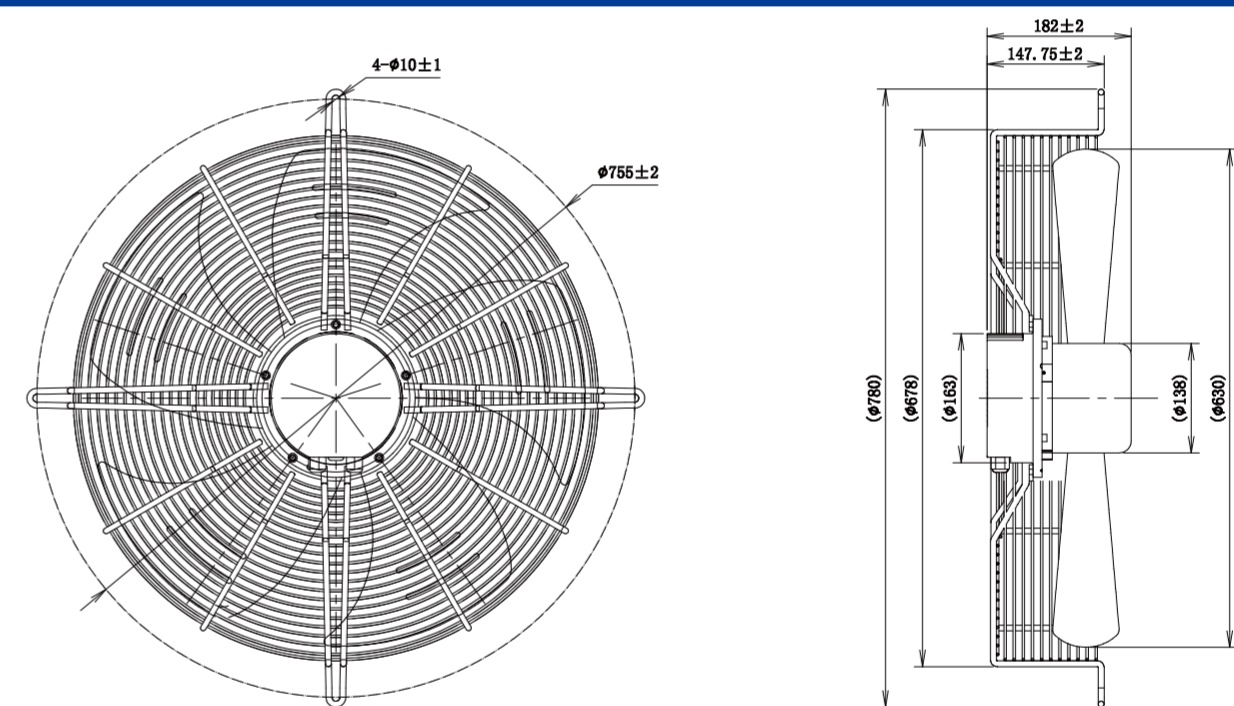
Model	Voltage (V)	Frequency (Hz)	Current (A)	Power [W(@0Pa)]	Speed (RPM)	Air Volume (m³/h)	Noise [dB(A)]
LWAE3G630TS-5MNW-01	3-380	50/60	1.3	800	1150	14935	69
LWAE3G630TT-5MNW-02	3-380	50/60	1.3	800	1150	14935	69
LWAE3G630TS-5MEW-03	3-380	50/60	1.3	800	1150	14935	69
LWAE3G630TT-5MEW-04	3-380	50/60	1.3	800	1150	14935	69
LWAE3G630TS-5MKW-05	3-380	50/60	1.3	800	1150	14935	69
LWAE3G630TT-5MKW-06	3-380	50/60	1.3	800	1150	14935	69



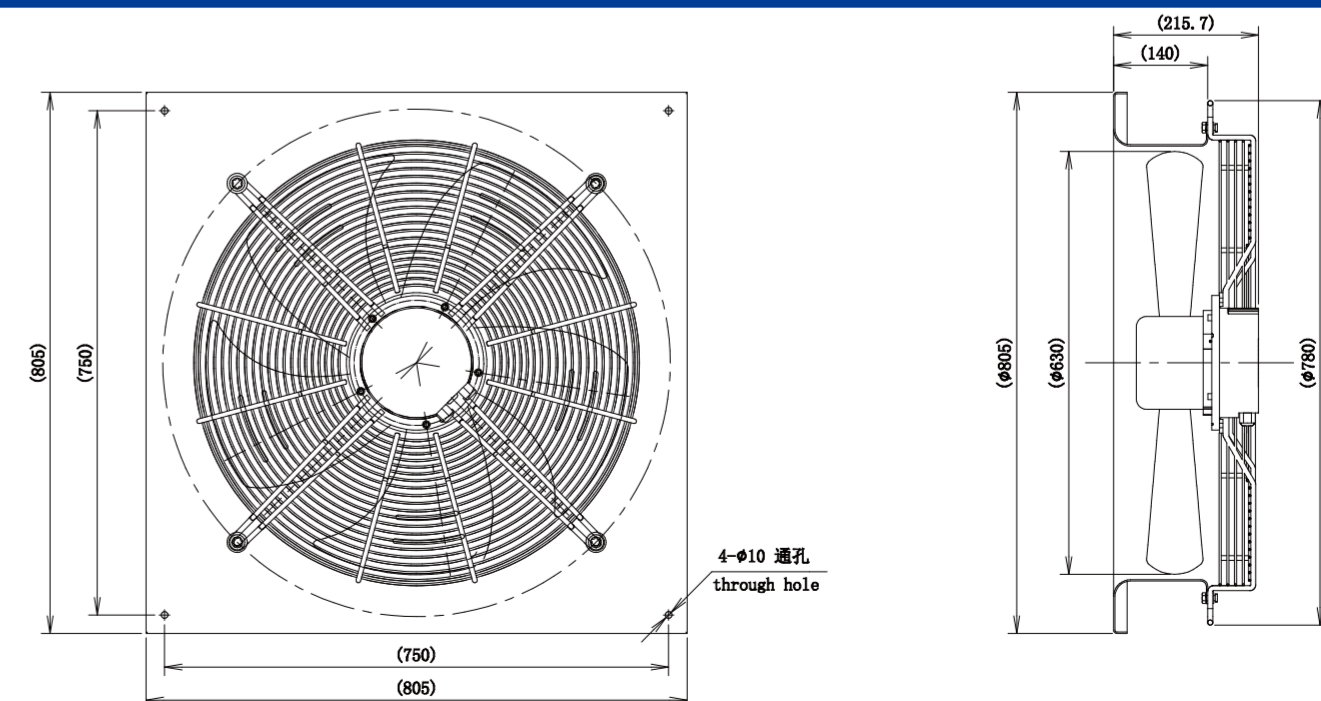
LWAE3G630TS-5MNW-01(Suction) LWAE3G630TT-5MNW-02(Blowing)



LWAE3G630TS-5MEW-03(Suction) LWAE3G630TT-5MEW-04(Blowing)



LWAE3G630TS-5MKW-05(Suction) LWAE3G630TT-5MKW-06(Blowing)



LWAE-630 Series

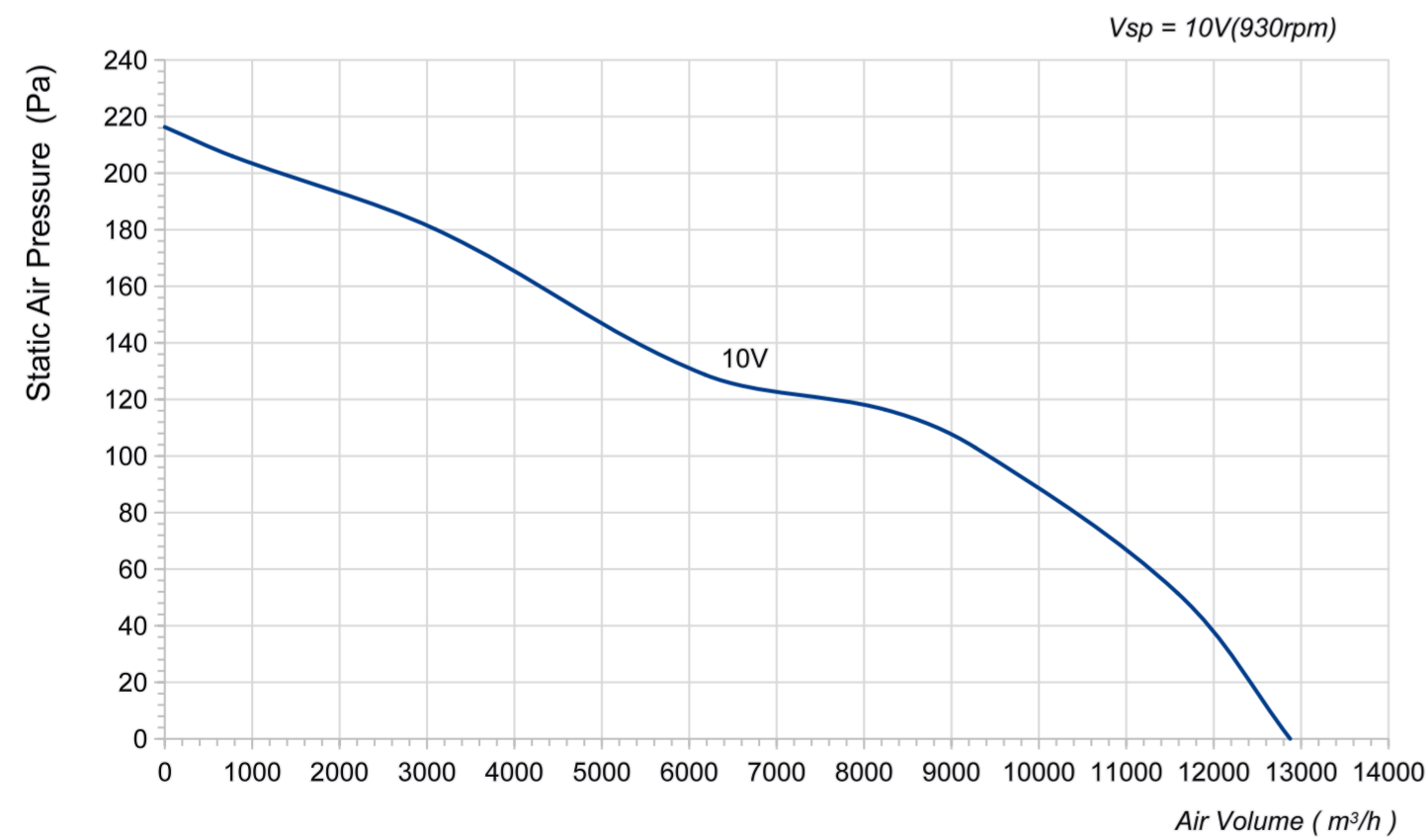
Product Characteristic

- Material: Aluminium alloy
- Type of protection: IP54
- Insulation class: F
- Motor type: BLEC Motor
- Operation Temperature: -25 C ~ +60 C
- Techniactal Feature: Control input 0-10VDC/PWM,Tech output,Locked-Rotor protection,Reverse Polarity Over-voltage protection, Soft Start Protection.

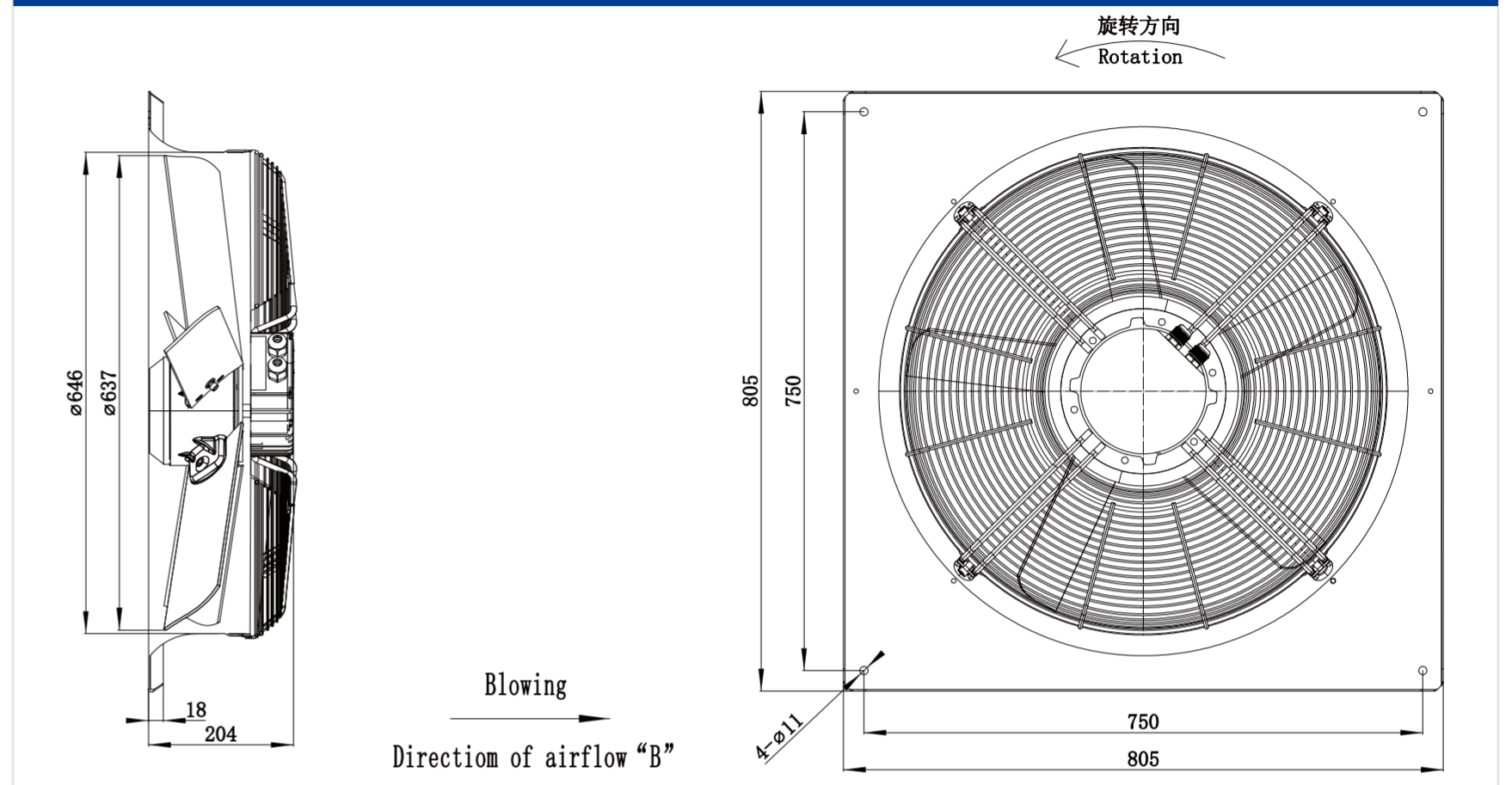


Technical Specifications

Model	Voltage (V)	Frequency (Hz)	Current (A)	Power [W(@0Pa)]	Speed (RPM)	Air Volume (m³/h)	Noise [dB(A)]
LWAE3G630SS-5MKW-07	230	50/60	3.64	588	930	12875	72



LWAE3G630SS-5MKW-07



LWAE-630 Series



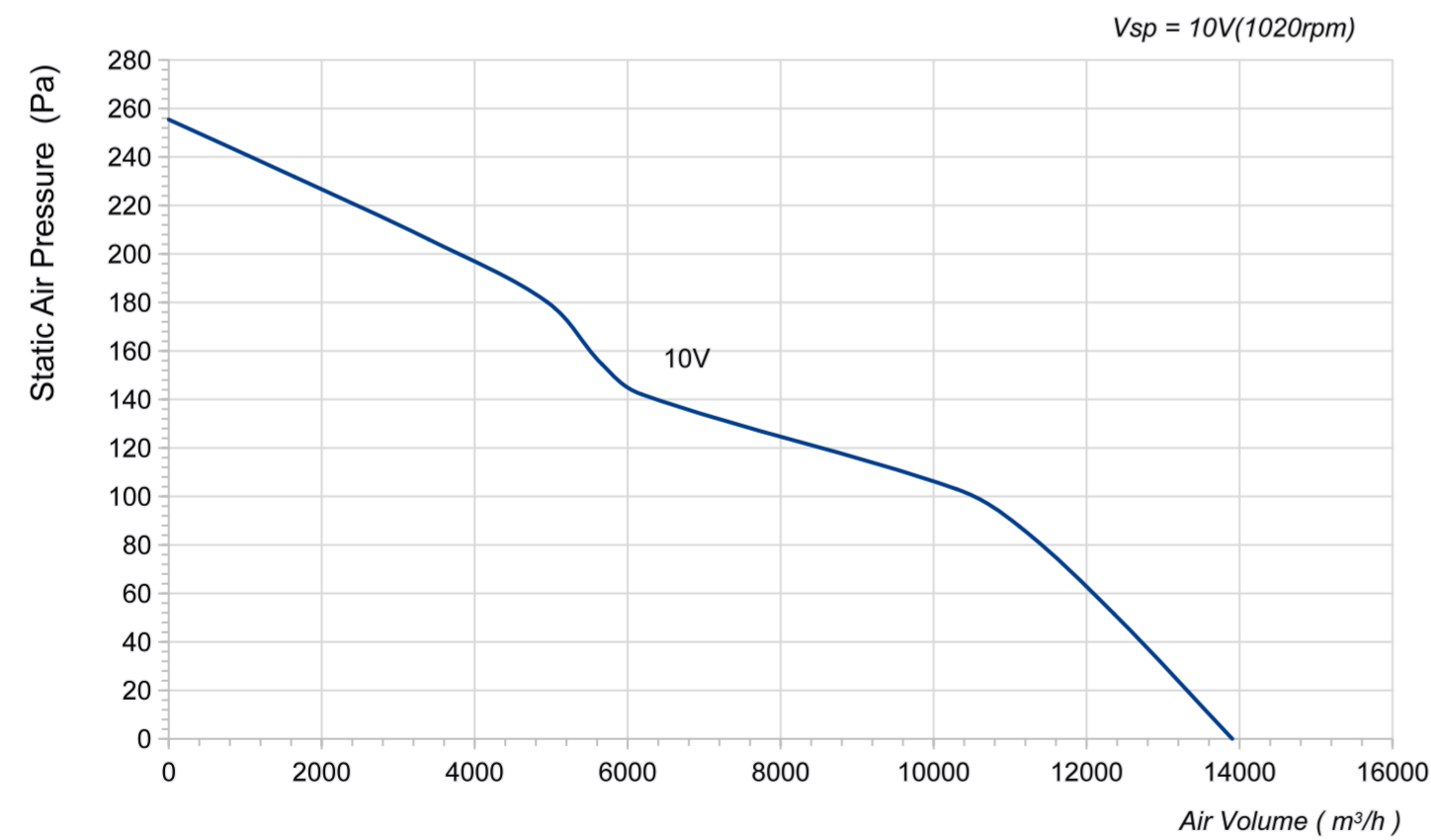
Product Characteristic

- Material: Aluminium alloy
- Type of protection: IP54
- Insulation class: F
- Motor type: BLEC Motor
- Operation Temperature: -25 C ~ +60 C
- Techniacal Feature: Control input 0-10VDC/PWM, Tech output, Locked-Rotor protection, Reverse Polarity Over-voltage protection, Soft Start Protection.

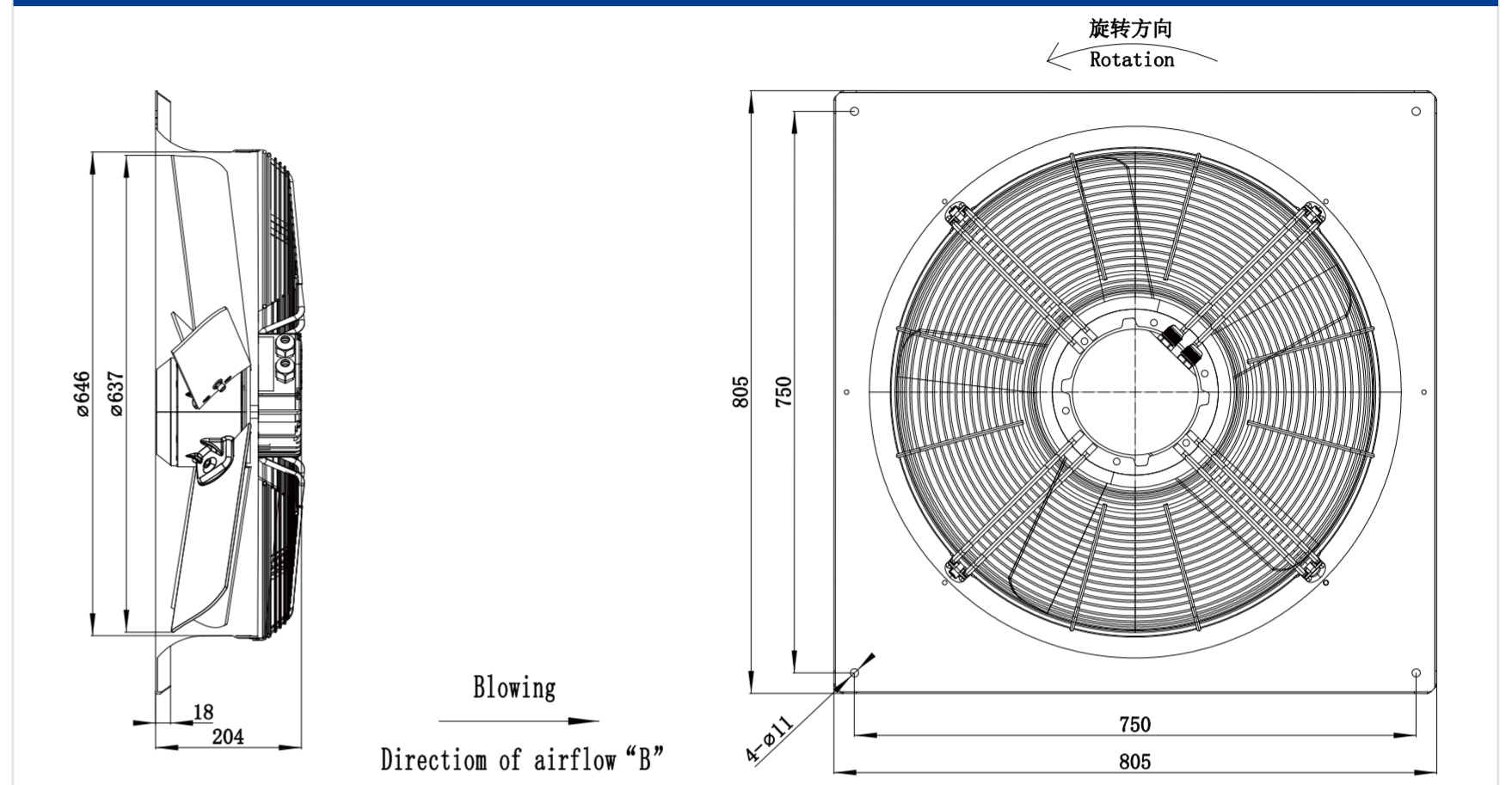


Technical Specifications

Model	Voltage (V)	Frequency (Hz)	Current (A)	Power [W(@0Pa)]	Speed (RPM)	Air Volume (m³/h)	Noise [dB(A)]
LWAE3G630TS-5MKW-08	3-208	50/60	2.45	780	1020	13905	74



LWAE3G630TS-5MKW-08



LWAE-630 Series

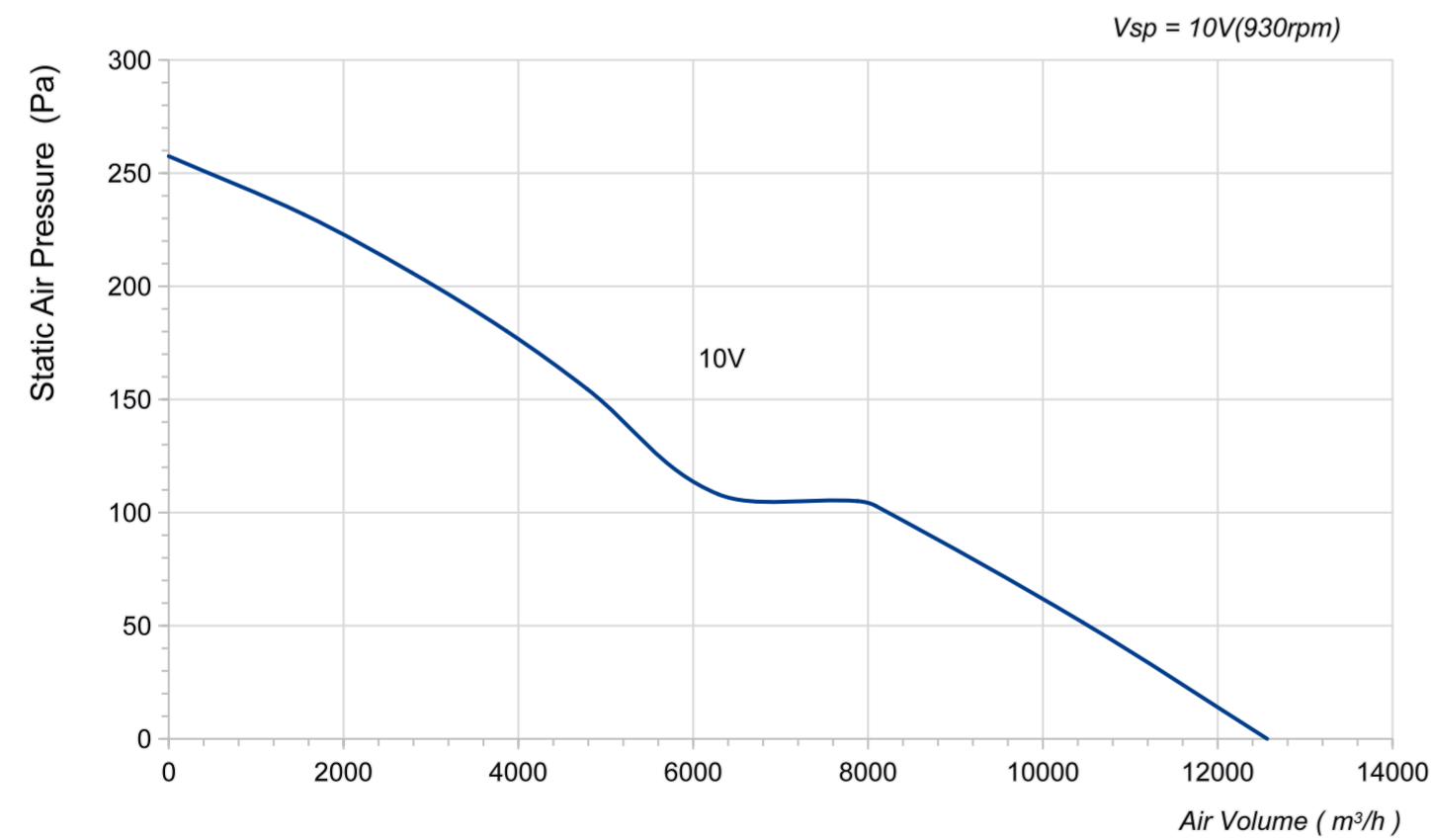
Product Characteristic

- Material: Aluminium alloy
- Type of protection: IP54
- Insulation class: F
- Motor type: BLEC Motor
- Operation Temperature: -25 C ~ +60 C
- Techniacal Feature: Control input 0-10VDC/PWM, Tech output, Locked-Rotor protection, Reverse Polarity Over-voltage protection, Soft Start Protection.

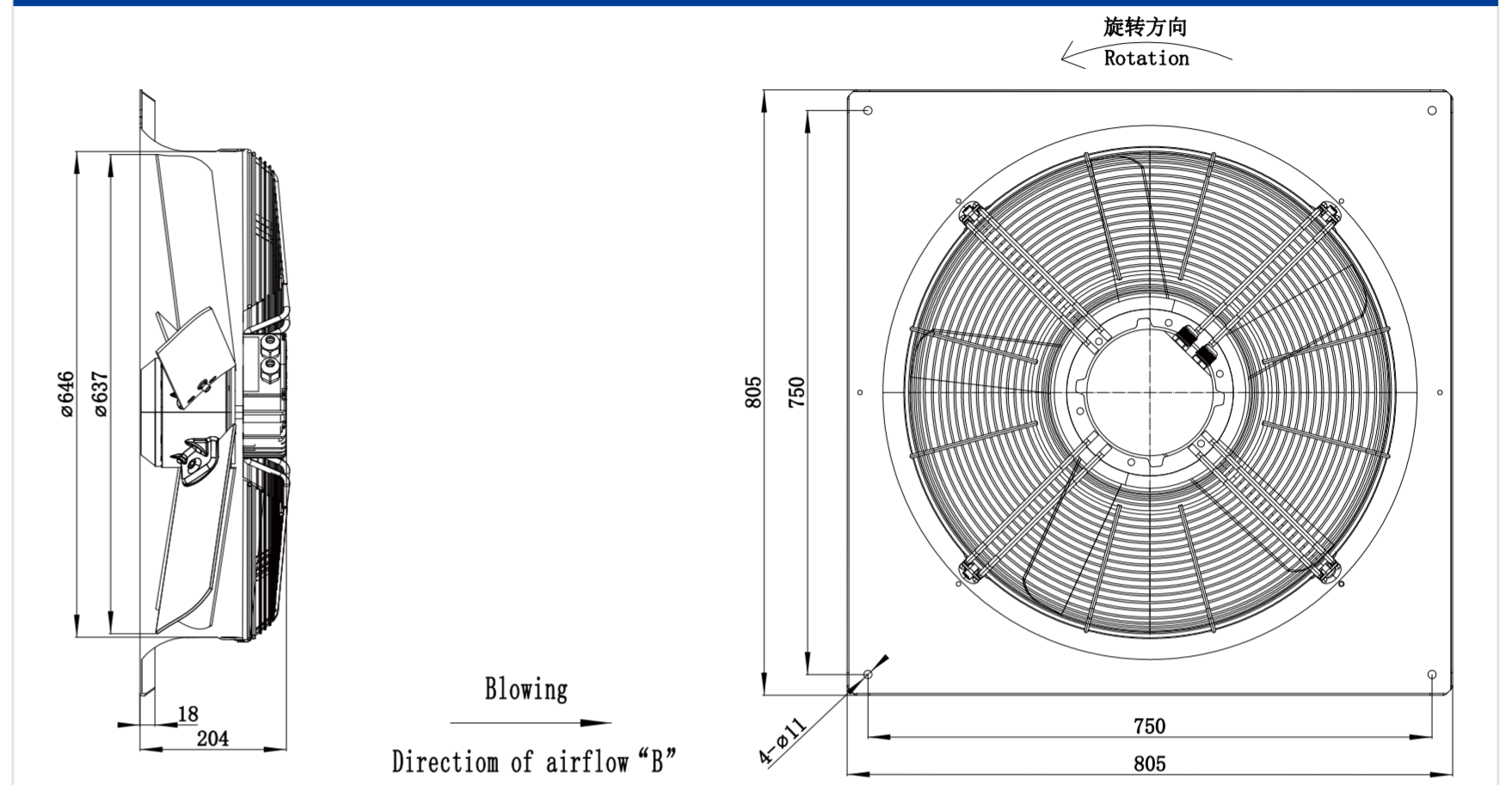


Technical Specifications

Model	Voltage (V)	Frequency (Hz)	Current (A)	Power [W(@0Pa)]	Speed (RPM)	Air Volume (m³/h)	Noise [dB(A)]
LWAE3G630TS-5MKW-09	3-380	50/60	1.15	580	930	12566	75



LWAE3G630TS-5MKW-09



LWAE-630 Series



Product Characteristic

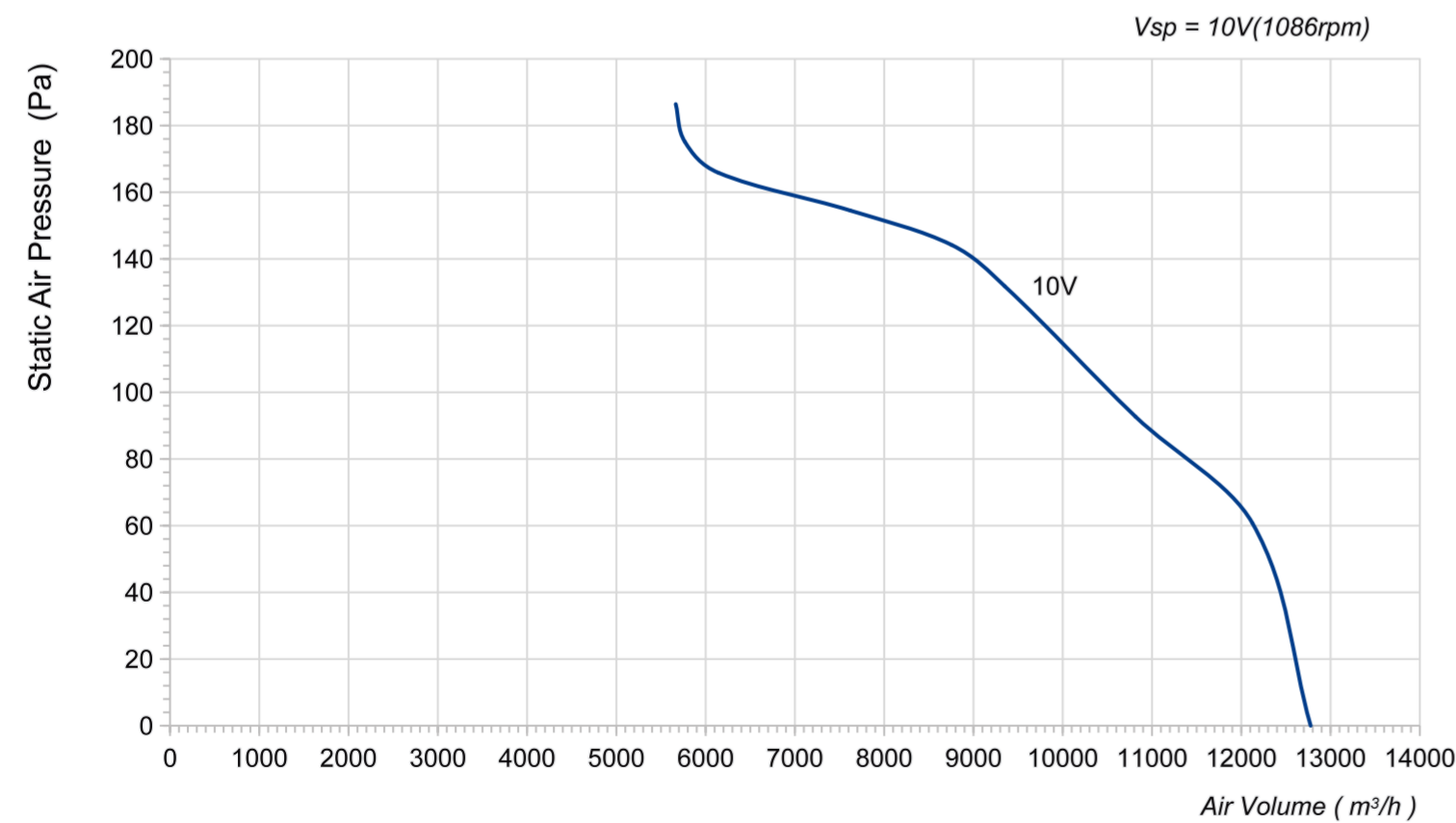
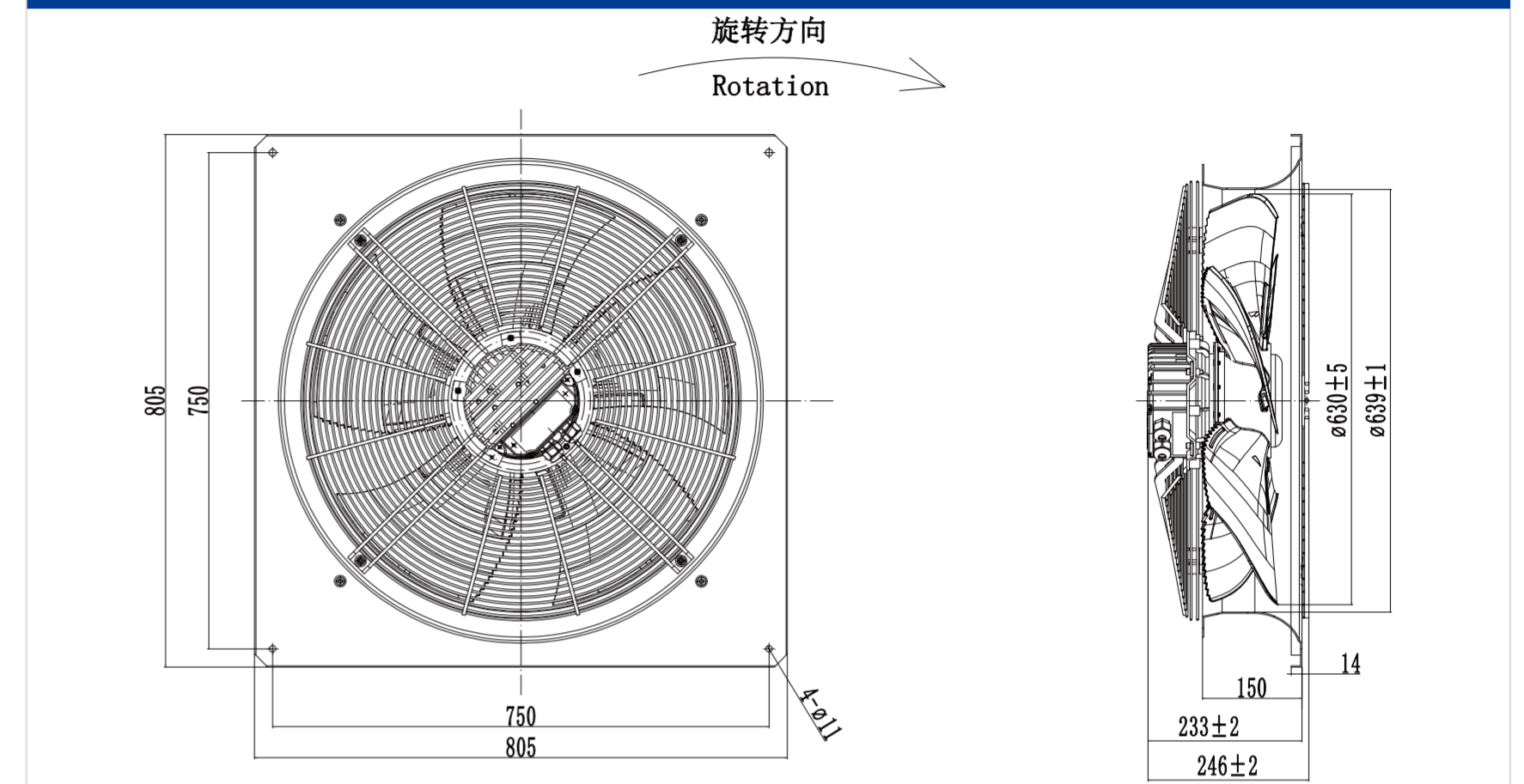
- Material: PA66
- Type of protection: IP54
- Insulation class: F
- Motor type: BLEC Motor
- Operation Temperature: -25 C ~ +60 C
- Techniacal Feature: Control input 0-10VDC/PWM/RS485, Tech output, Locked-Rotor protection, Reverse Polarity, Over-voltage protection, Soft Start Protection.



Technical Specifications

Model	Voltage (V)	Frequency (Hz)	Current (A)	Power [W(@0Pa)]	Speed (RPM)	Air Volume (m³/h)	Noise [dB(A)]
LWAE3G630SS-5PKW-10	230	50/60	2.96	679	1086	12777	70

LWAE3G630SS-5PKW-10



LWAE-630 Series

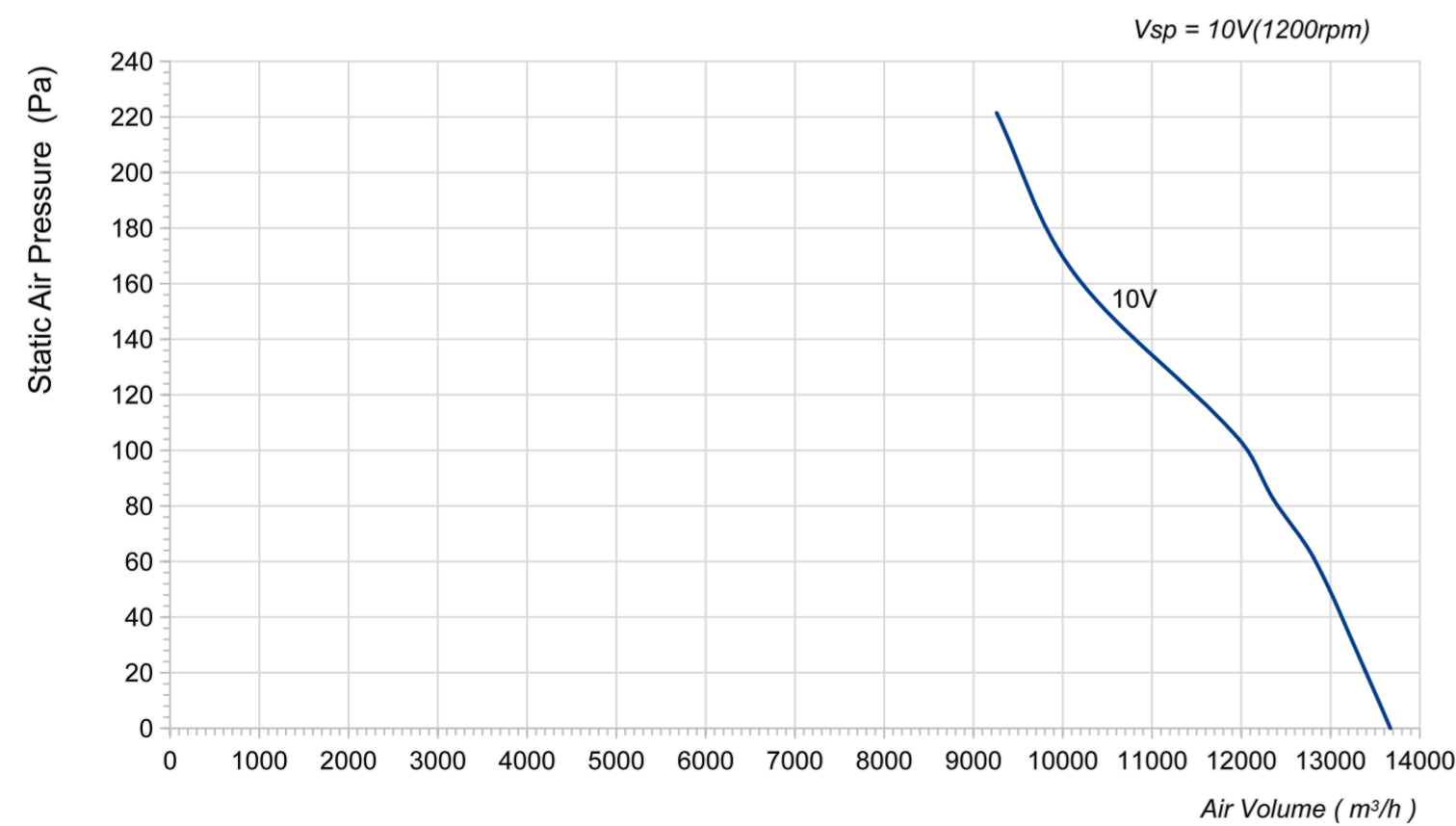
Product Characteristic

- Material: PA66
- Type of protection: IP54
- Insulation class: F
- Motor type: BLEC Motor
- Operation Temperature: -25 C ~ +60 C
- Techniacal Feature: Control input 0-10VDC/PWM/RS485, Tech output, Locked-Rotor protection, Reverse Polarity, Over-voltage protection, Soft Start Protection.

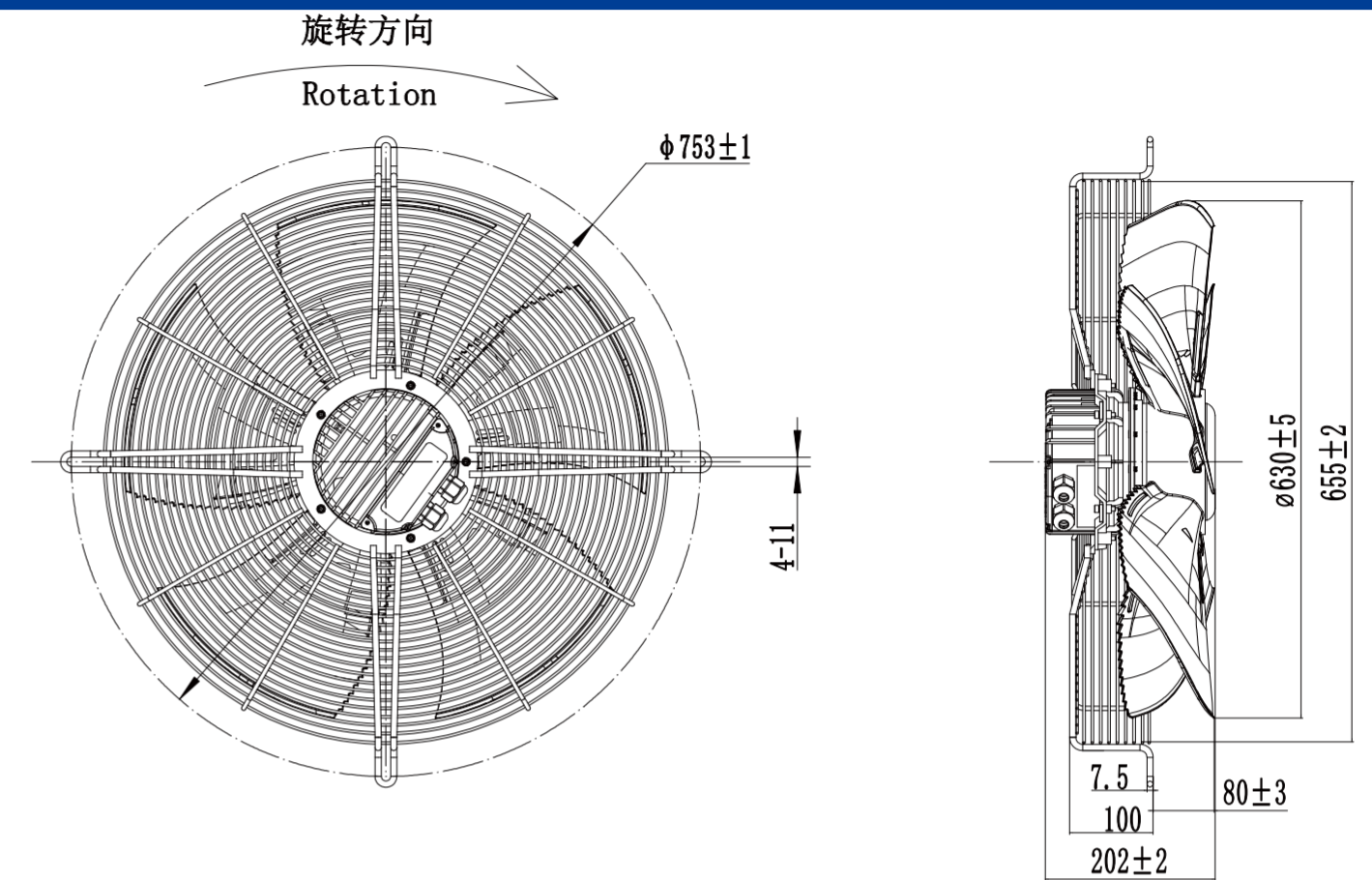


Technical Specifications

Model	Voltage (V)	Frequency (Hz)	Current (A)	Power [W(@0Pa)]	Speed (RPM)	Air Volume (m³/h)	Noise [dB(A)]
LWAE3G630TS-5PEW-11	400	50/60	1.57	887	1200	13670	74



LWAE3G630TS-5PEW-11



LWAE-710 Series

Product Characteristic

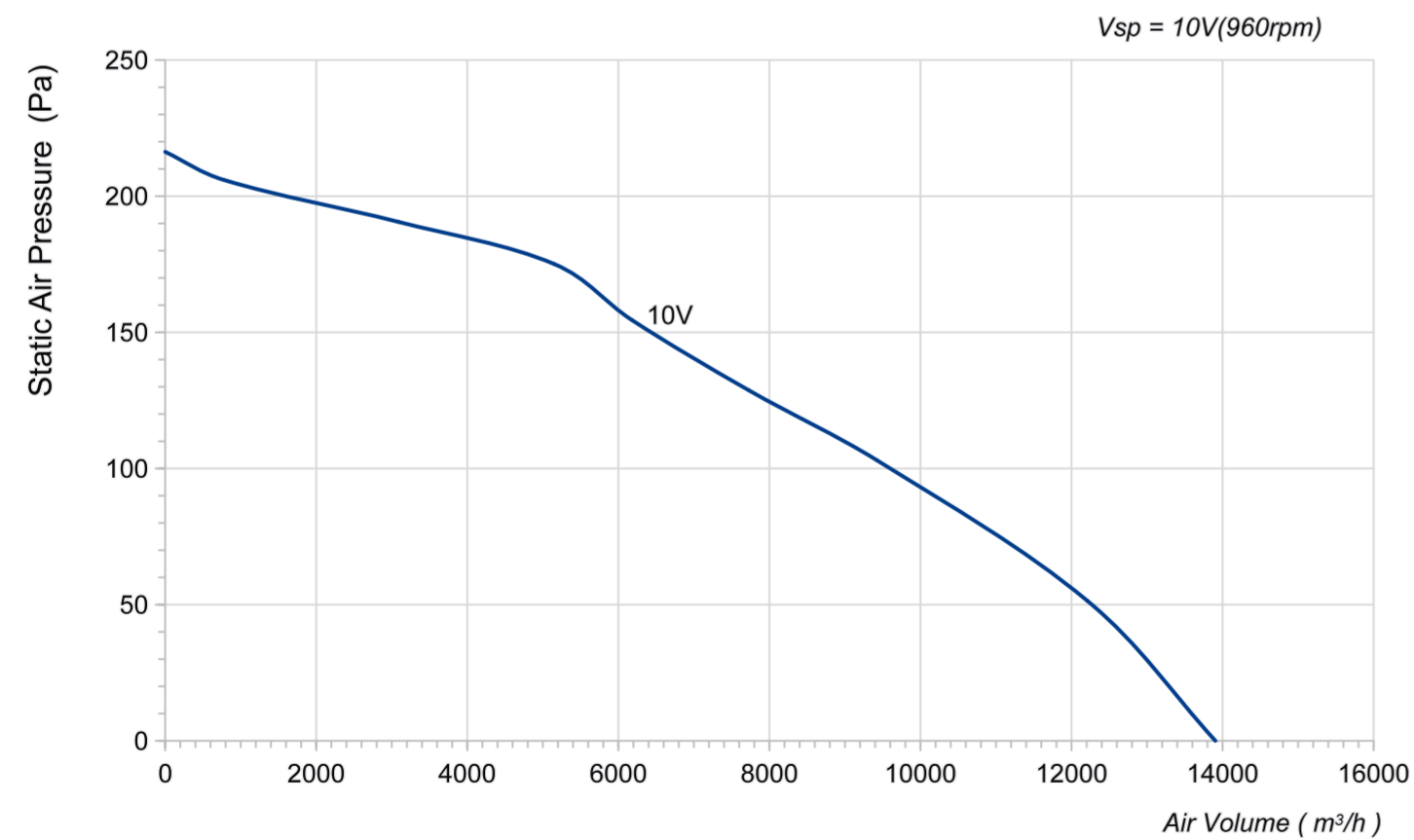
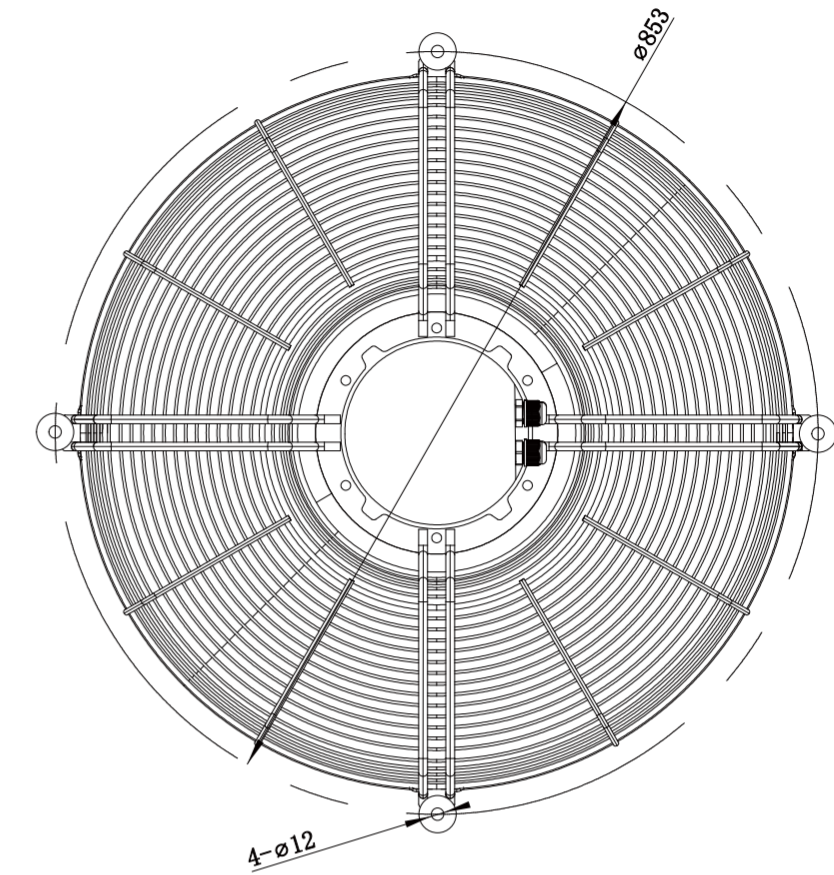
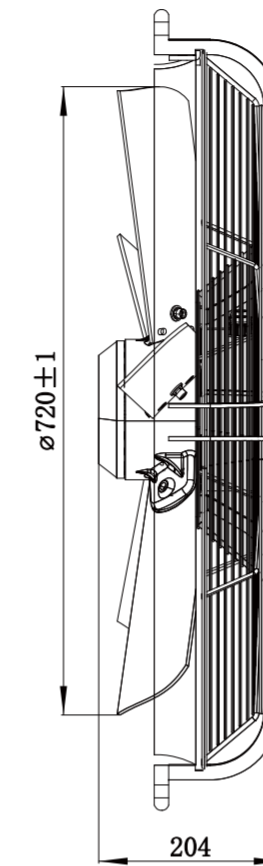
- Material: Aluminium alloy
- Type of protection: IP54
- Insulation class: F
- Motor type: BLEC Motor
- Operation Temperature: -25 C ~ +60 C
- Techniacal Feature: Control input 0-10VDC/PWM, Tech output, Locked-Rotor protection, Reverse Polarity Over-voltage protection, Soft Start Protection.



Technical Specifications

Model	Voltage (V)	Frequency (Hz)	Current (A)	Power [W(@0Pa)]	Speed (RPM)	Air Volume (m³/h)	Noise [dB(A)]
LWAE3G710SS-5MEW-01	230	50/60	3.5	520	960	13905	75

LWAE3G710SS-5MEW-01



LWAE-710 Series



Product Characteristic

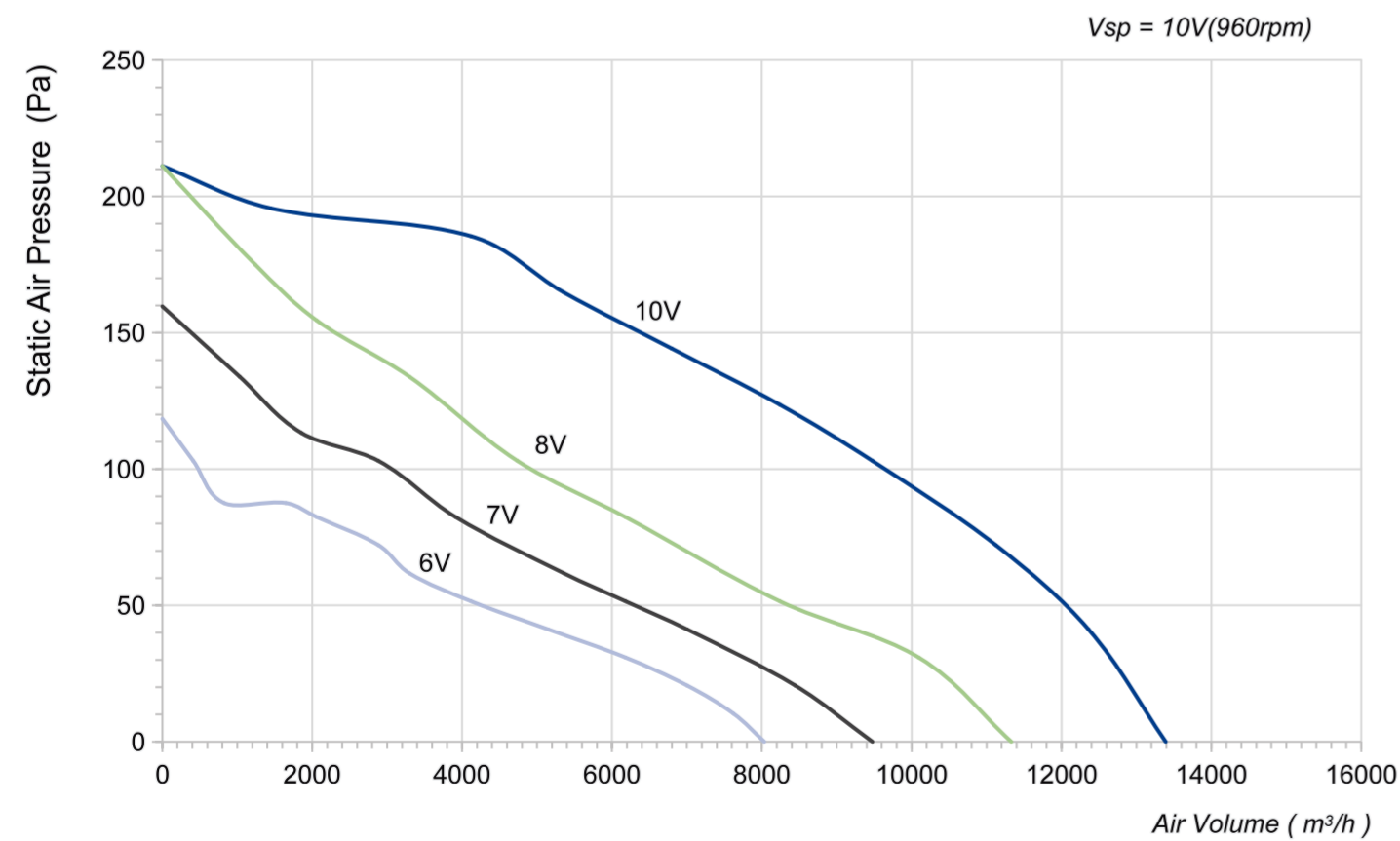
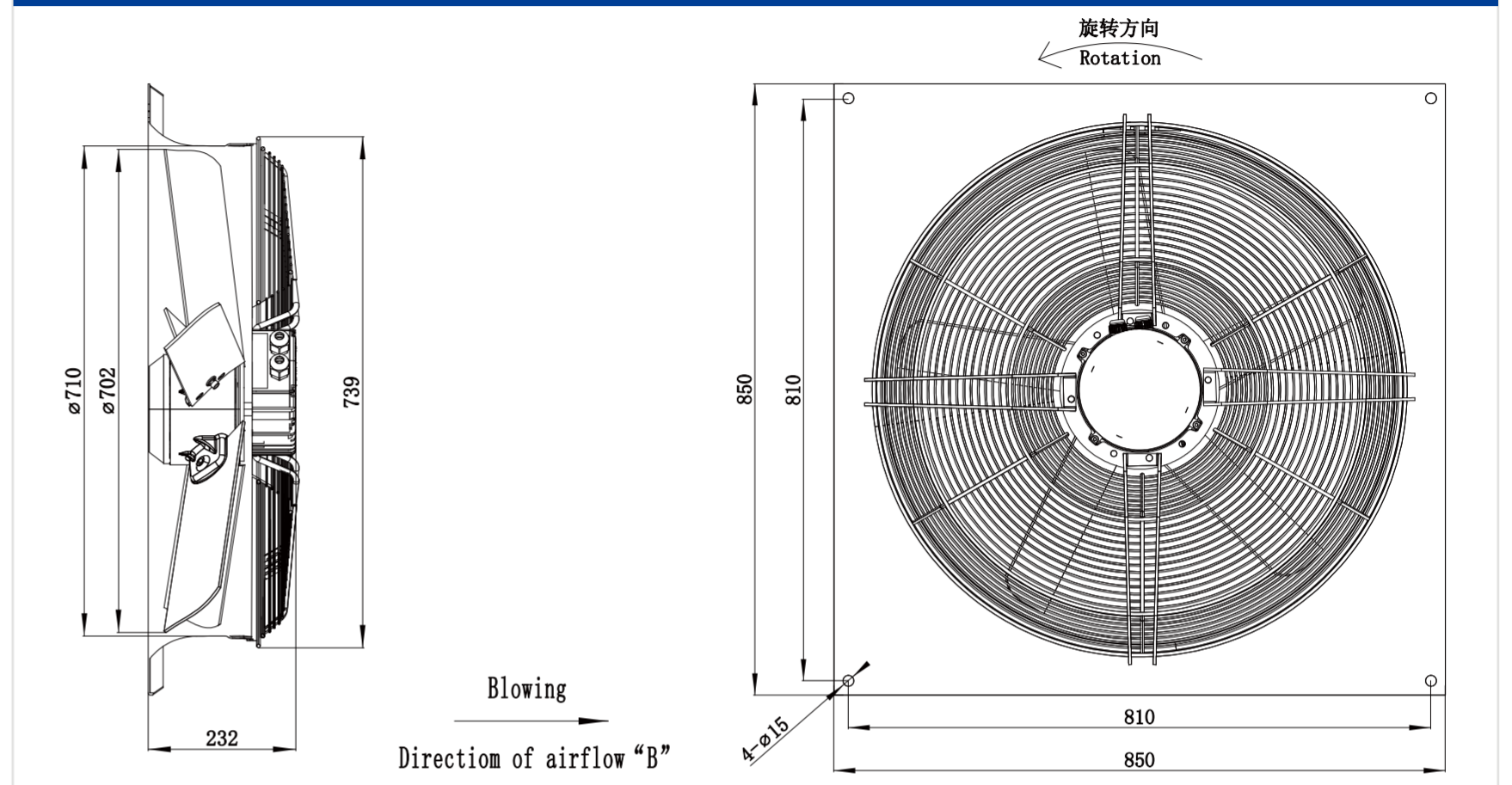
- Material: Aluminium alloy
- Type of protection: IP54
- Insulation class: F
- Motor type: BLEC Motor
- Operation Temperature: -25 C ~ +60 C
- Techniacal Feature: Control input 0-10VDC/PWM, Tech output, Locked-Rotor protection, Reverse Polarity Over-voltage protection, Soft Start Protection.



Technical Specifications

Model	Voltage (V)	Frequency (Hz)	Current (A)	Power [W(@0Pa)]	Speed (RPM)	Air Volume (m³/h)	Noise [dB(A)]
LWAE3G710TS-5MKW-02	3-380	50/60	1.3	650	960	13390	75

LWAE3G710TS-5MKW-02





LWAE-710 Series

Product Characteristic

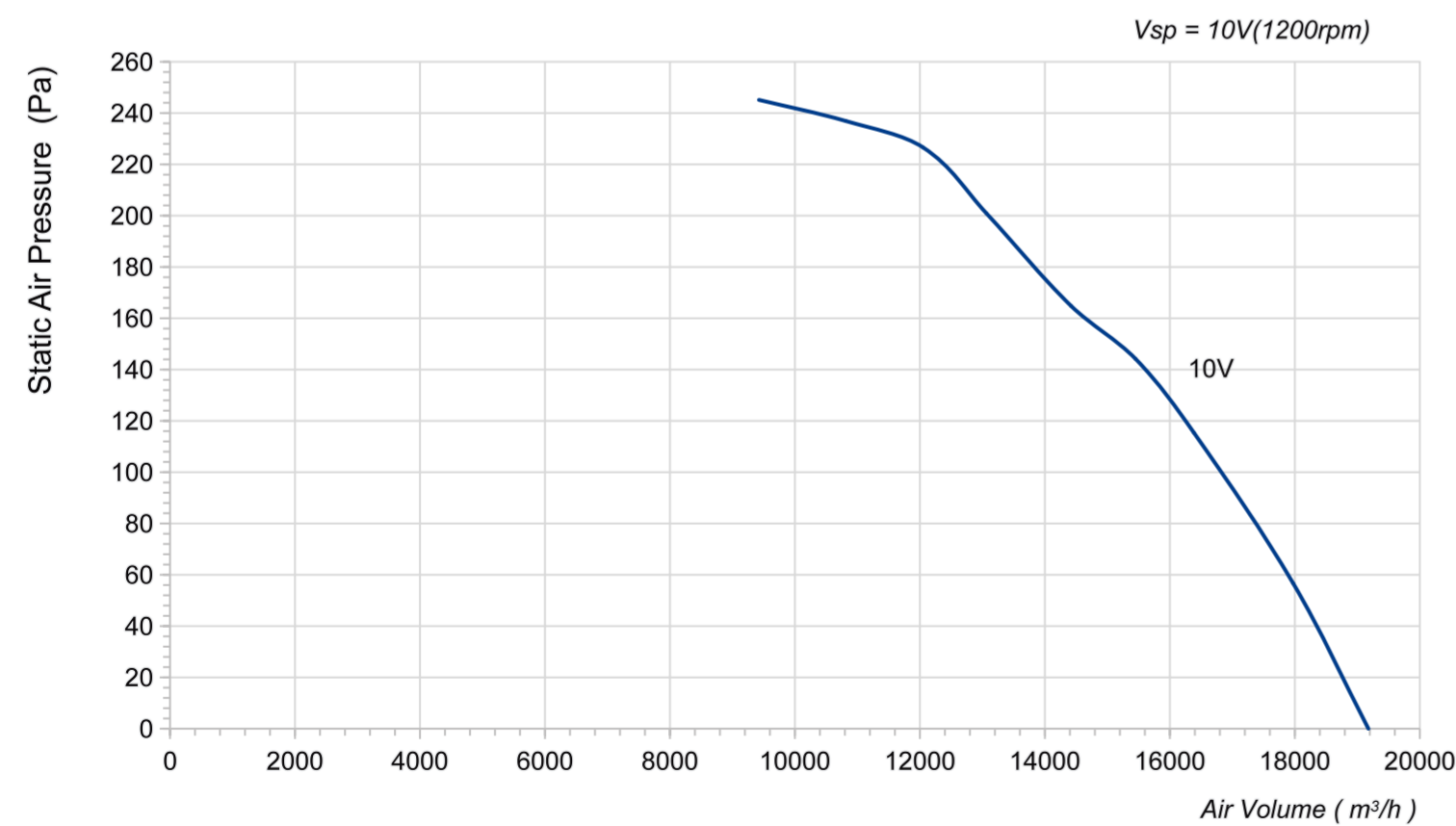
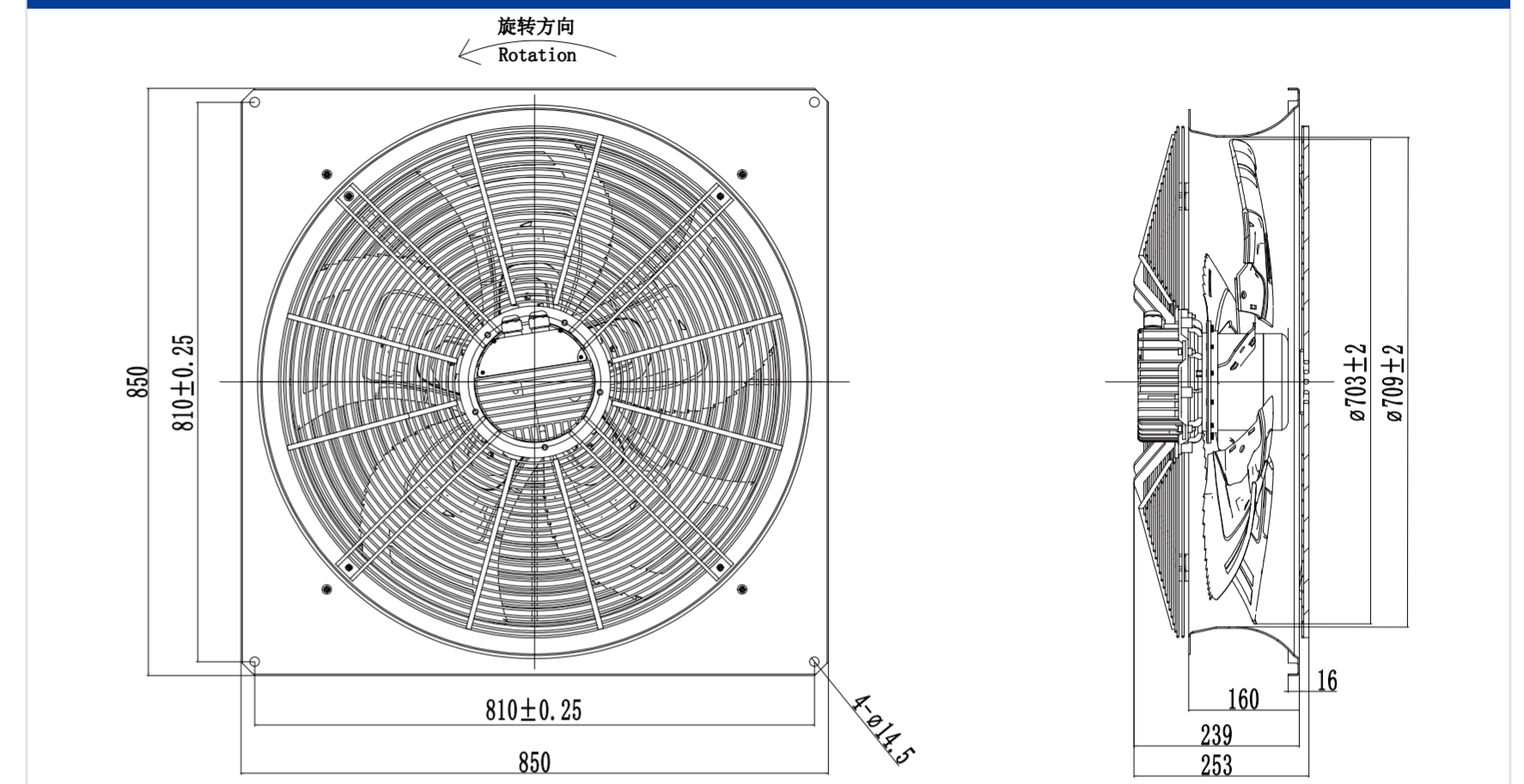
- Material: PA66
- Type of protection: IP54
- Insulation class: F
- Motor type: BLEC Motor
- Operation Temperature: -25 C ~ +60 C
- Techniacal Feature: Control input 0-10VDC/PWM/RS485, Tech output, Locked-Rotor protection, Reverse Polarity, Over-voltage protection, Soft Start Protection.



Technical Specifications

Model	Voltage (V)	Frequency (Hz)	Current (A)	Power [W(@0Pa)]	Speed (RPM)	Air Volume (m³/h)	Noise [dB(A)]
LWAE3G710TS-5PKW-03	400	50/60	1.97	1146	1200	19177	81

LWAE3G710TS-5PKW-03



LWAE-800 Series

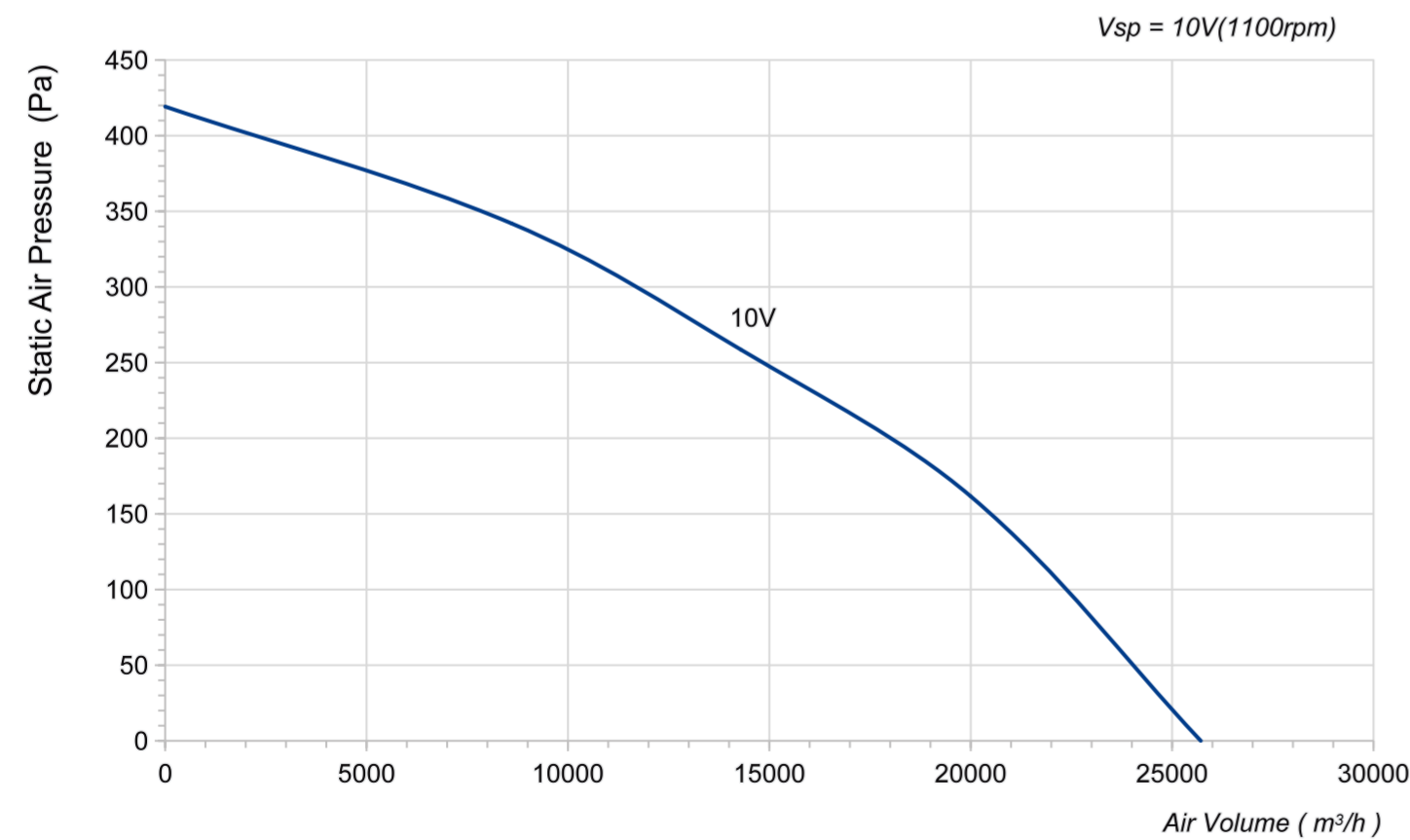
Product Characteristic

- Material: Aluminium alloy
- Type of protection: IP54
- Insulation class: F
- Motor type: BLEC Motor
- Operation Temperature: -25 C ~ +60 C
- Techniacal Feature: Control input 0-10VDC/PWM/RS485, Tech output, Locked-Rotor protection, Reverse Polarity, Over-voltage protection, Soft Start Protection.

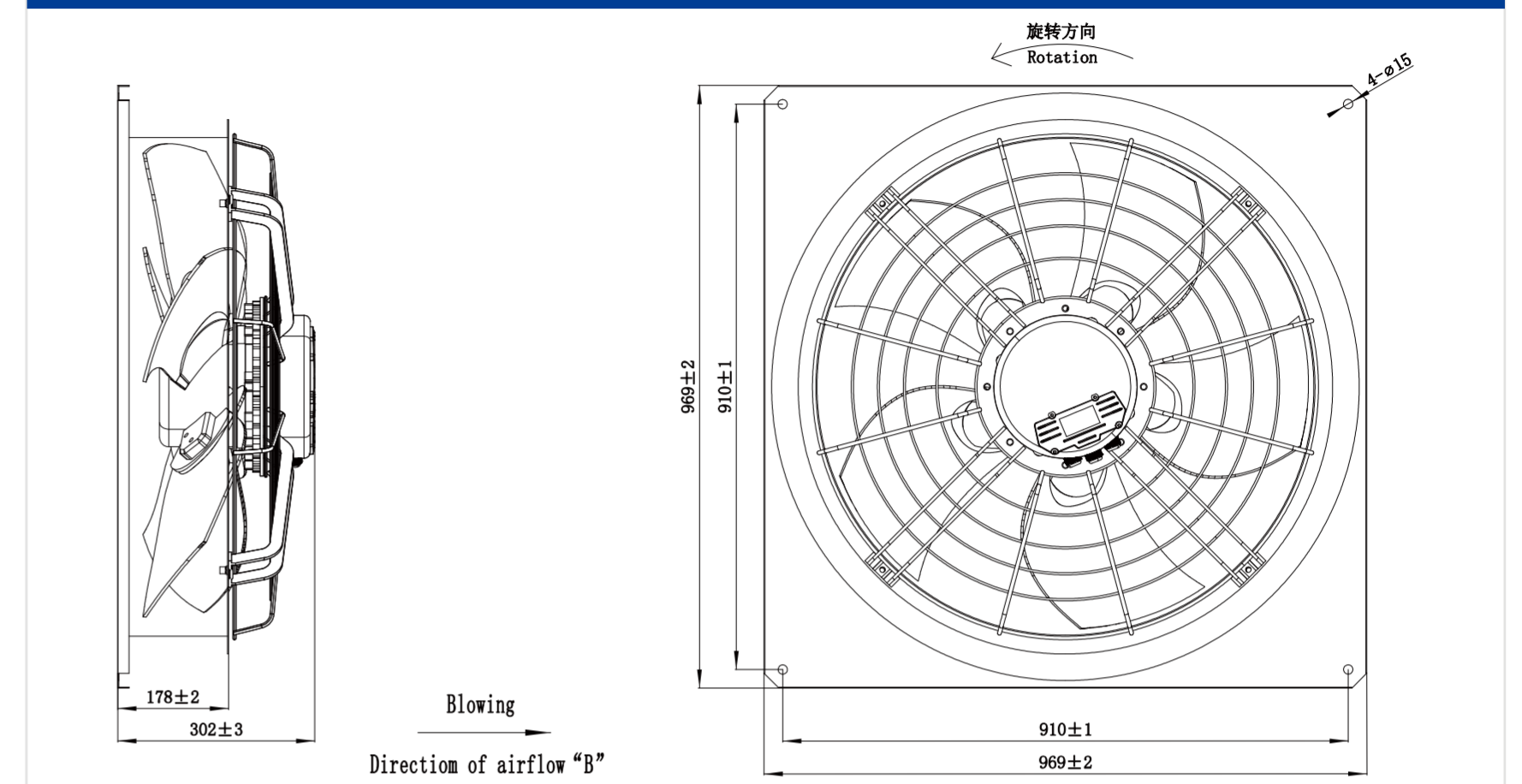


Technical Specifications

Model	Voltage (V)	Frequency (Hz)	Current (A)	Power [W(@0Pa)]	Speed (RPM)	Air Volume (m³/h)	Noise [dB(A)]
LWAE3G800TS-5MKW-01	3-380	50/60	3.1	1850	1100	25711	82



LWAE3G800TS-5MKW-01



LWAE-800 Series

Product Characteristic

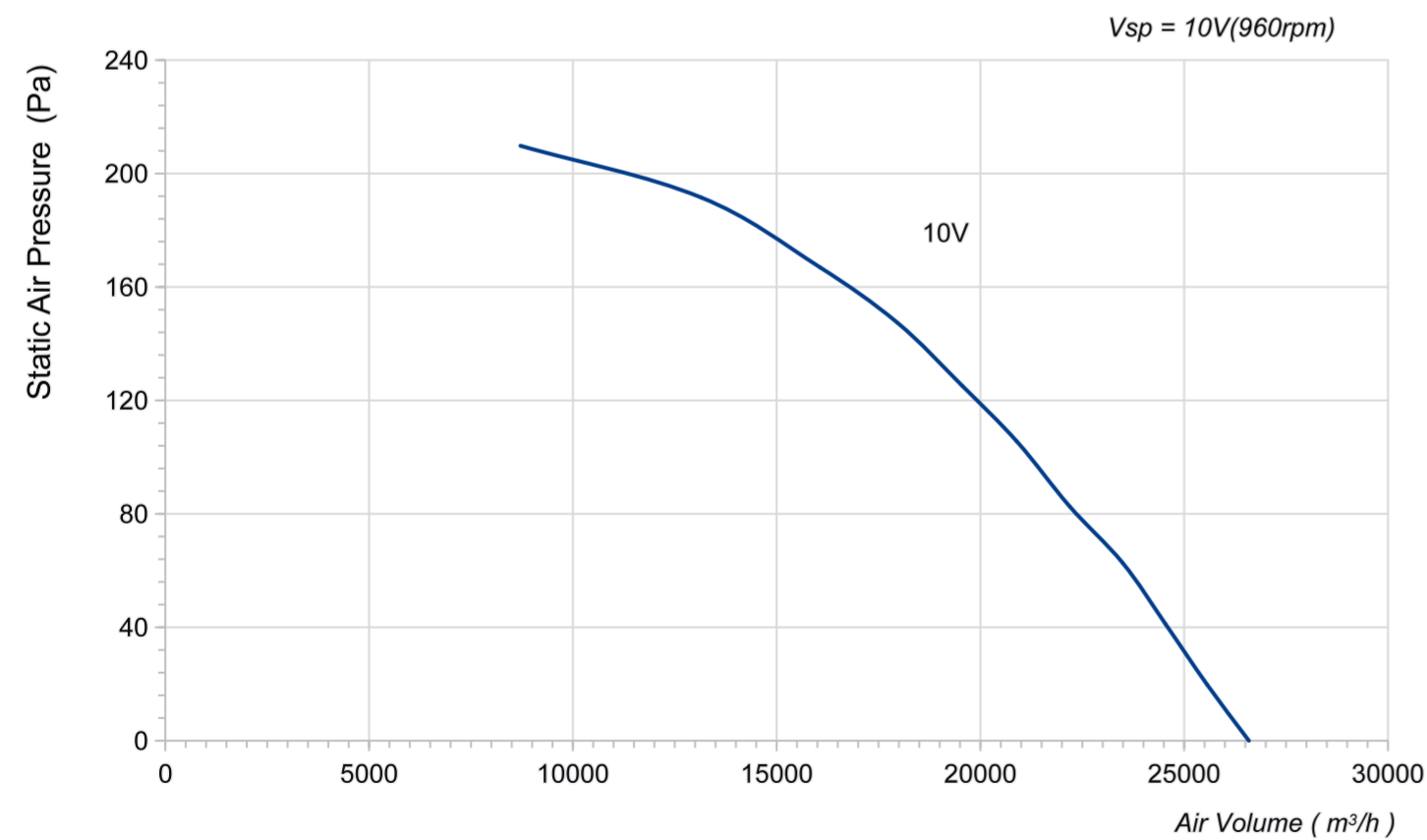
- Material: Plastic
- Type of protection: IP55
- Insulation class: F
- Motor type: BLEC Motor
- Operation Temperature: -25 C ~ +60 C
- Techniacal Feature: Control input 0-10VDC/PWM, Tech output, Locked-Rotor protection, Reverse Polarity Over-voltage protection, Soft Start Protection.

RECOMMEND

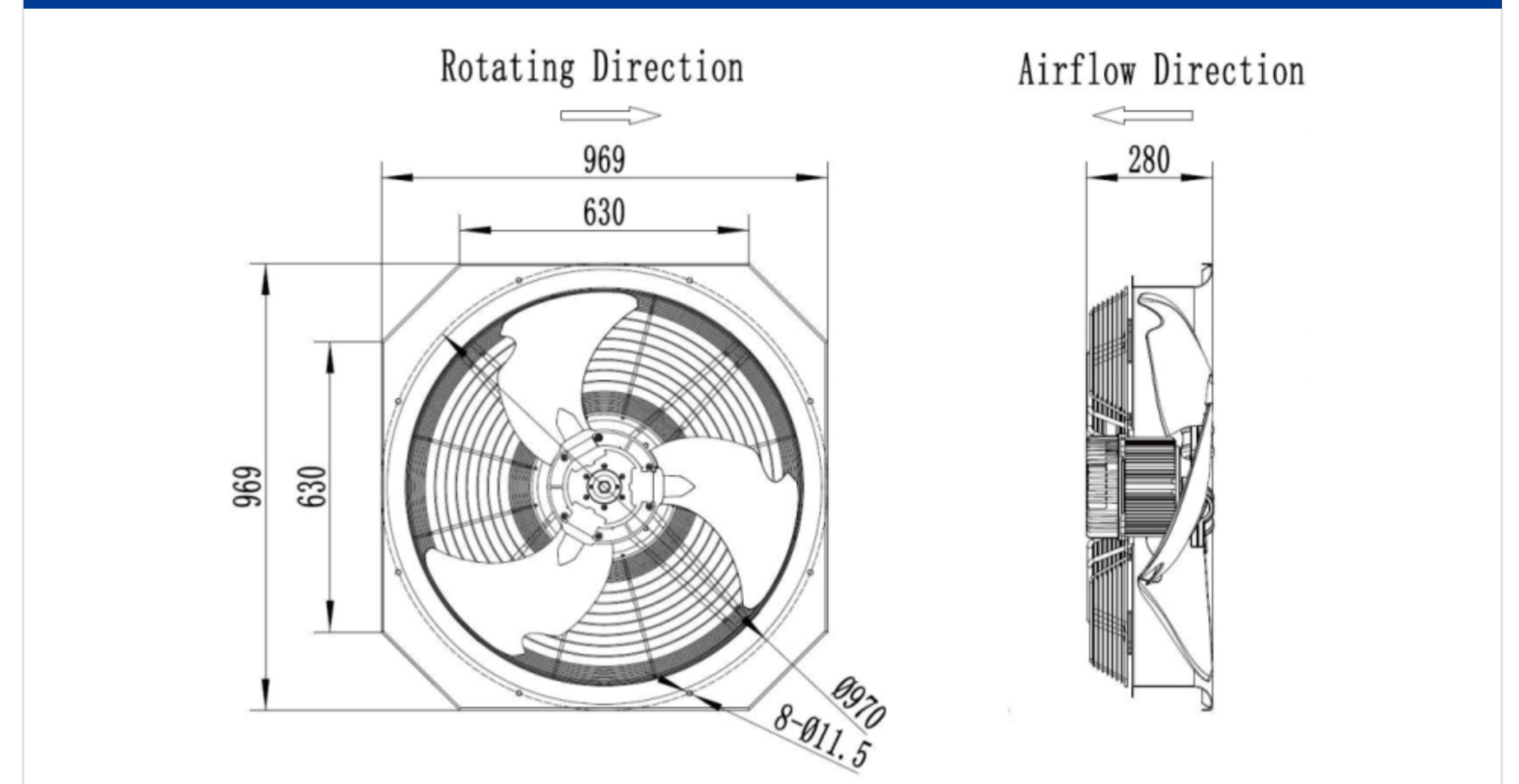


Technical Specifications

Model	Voltage (V)	Frequency (Hz)	Current (A)	Power [W(@0Pa)]	Speed (RPM)	Air Volume (m³/h)	Noise [dB(A)]
LWAE3G800TS-3PKW-02	3-380	50/60	1.87	1803	960	26587	/



LWAE3G800TS-3MKW-02



LWAE-800 Series



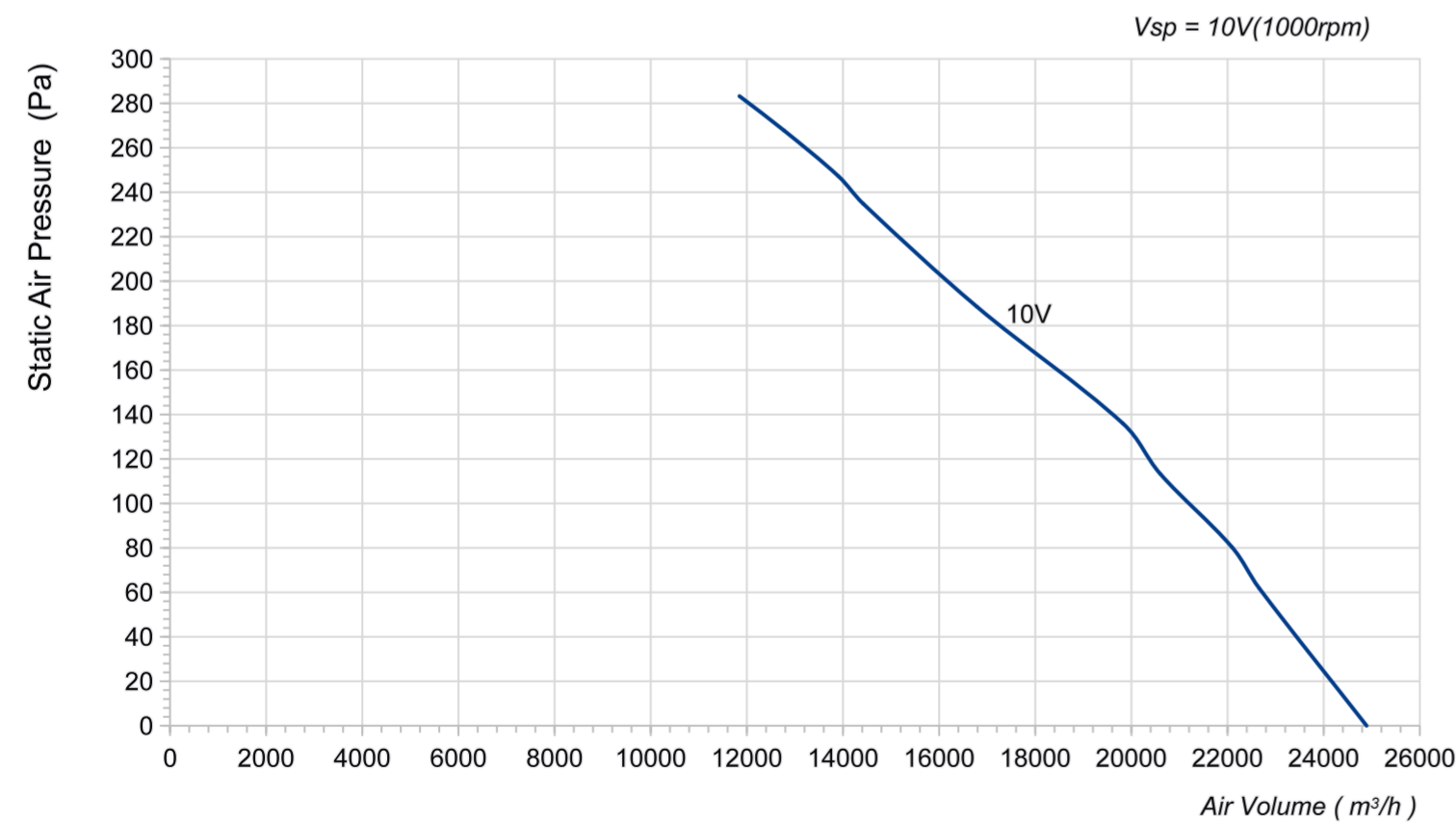
Product Characteristic

- Material: PA66
- Type of protection: IP54
- Insulation class: F
- Motor type: BLEC Motor
- Operation Temperature: -25 C ~ +60 C
- Techniacal Feature: Control input 0-10VDC/PWM/RS485, Tech output, Locked-Rotor protection, Reverse Polarity, Over-voltage protection, Soft Start Protection.

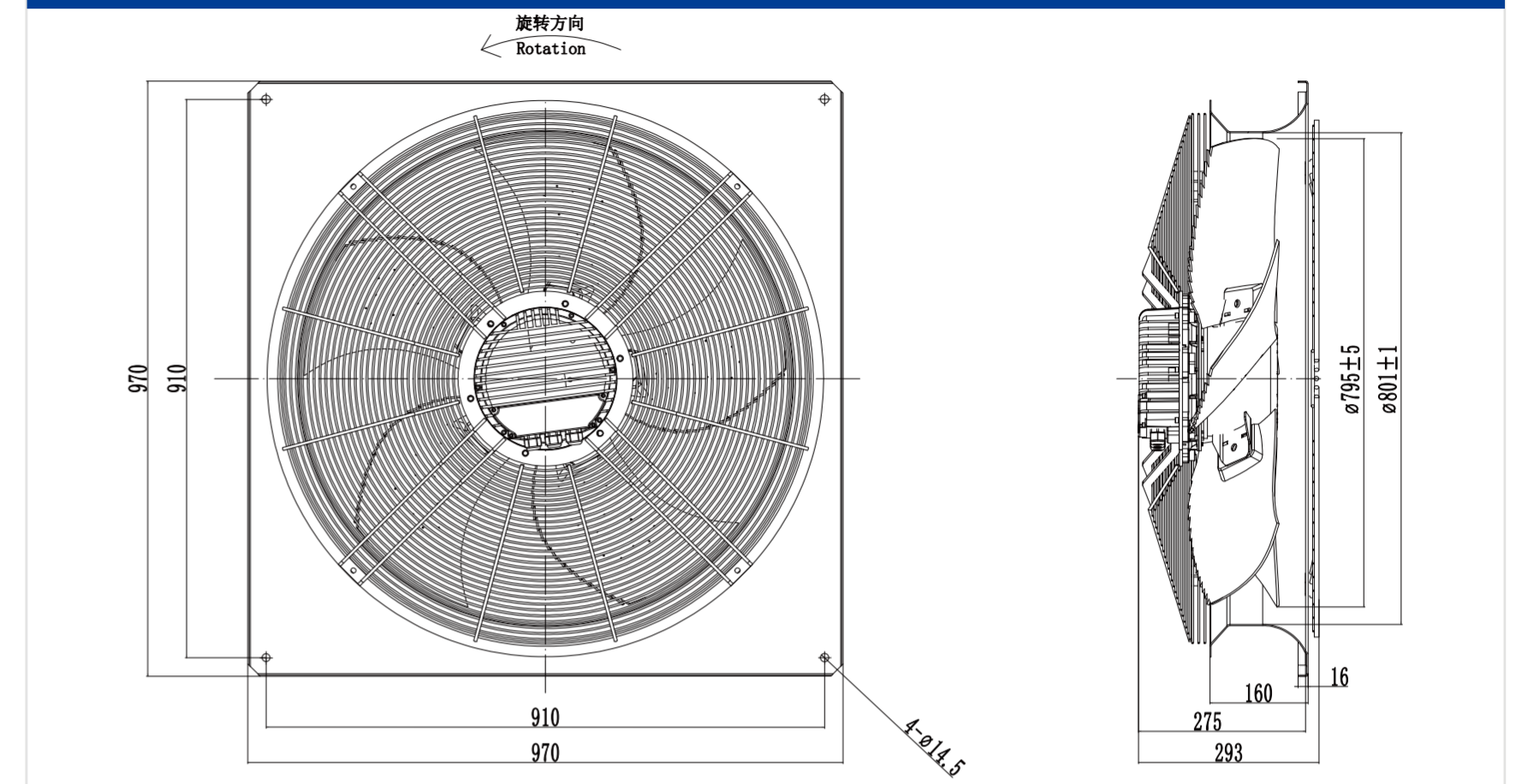


Technical Specifications

Model	Voltage (V)	Frequency (Hz)	Current (A)	Power [W(@0Pa)]	Speed (RPM)	Air Volume (m³/h)	Noise [dB(A)]
LWAE3G800TS-5PKW-03	400	50/60	2.67	1589	1000	24892	78



LWAE3G800TS-5PKW-03



LWAE-800 Series

Product Characteristic

- Material: PA66
- Type of protection: IP55
- Insulation class: F
- Motor type: BLEC Motor
- Operation Temperature: -25 C ~ +60 C
- Techniacal Feature: Control input 0-10VDC/PWM/RS485, Tech output, Locked-Rotor protection, Reverse Polarity, Over-voltage protection, Soft Start Protection.



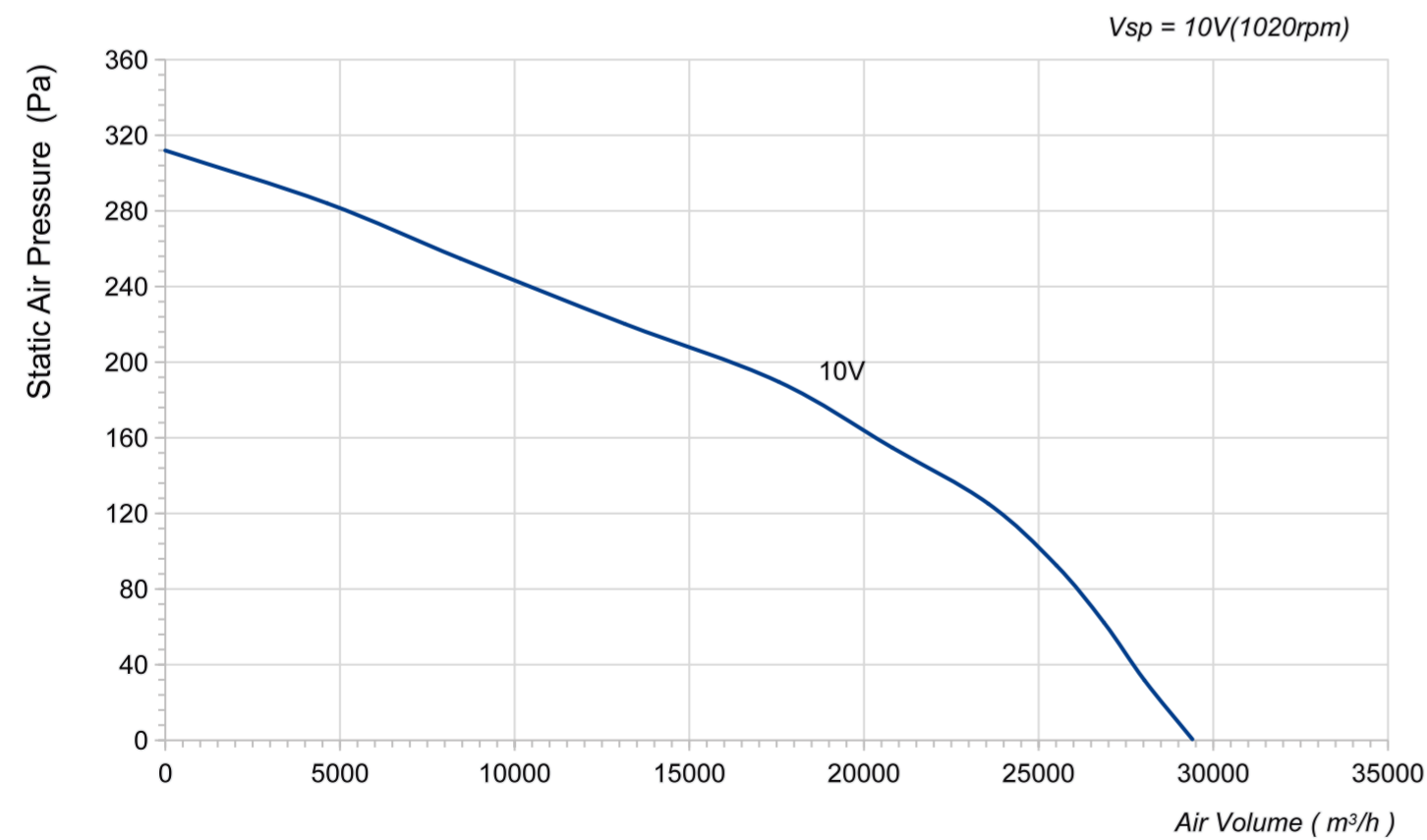
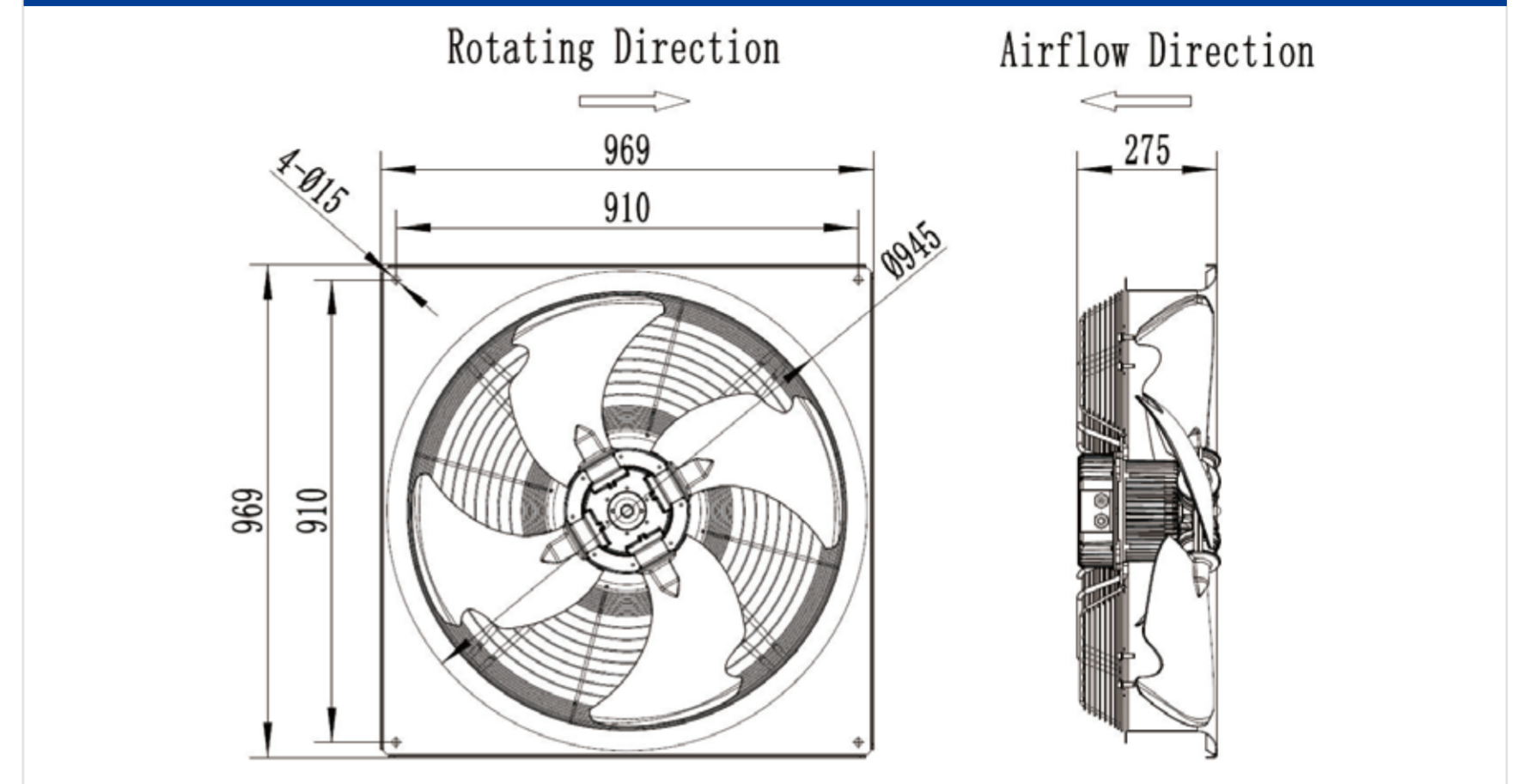
RECOMMEND



Technical Specifications

Model	Voltage (V)	Frequency (Hz)	Current (A)	Power [W(@0Pa)]	Speed (RPM)	Air Volume (m³/h)	Noise [dB(A)]
LWAE3G800TS-4PKW-04	380	50/60	3.8	1799	1020	29400	/

LWAE3G800TS-4PKW-04



LWAE-900 Series

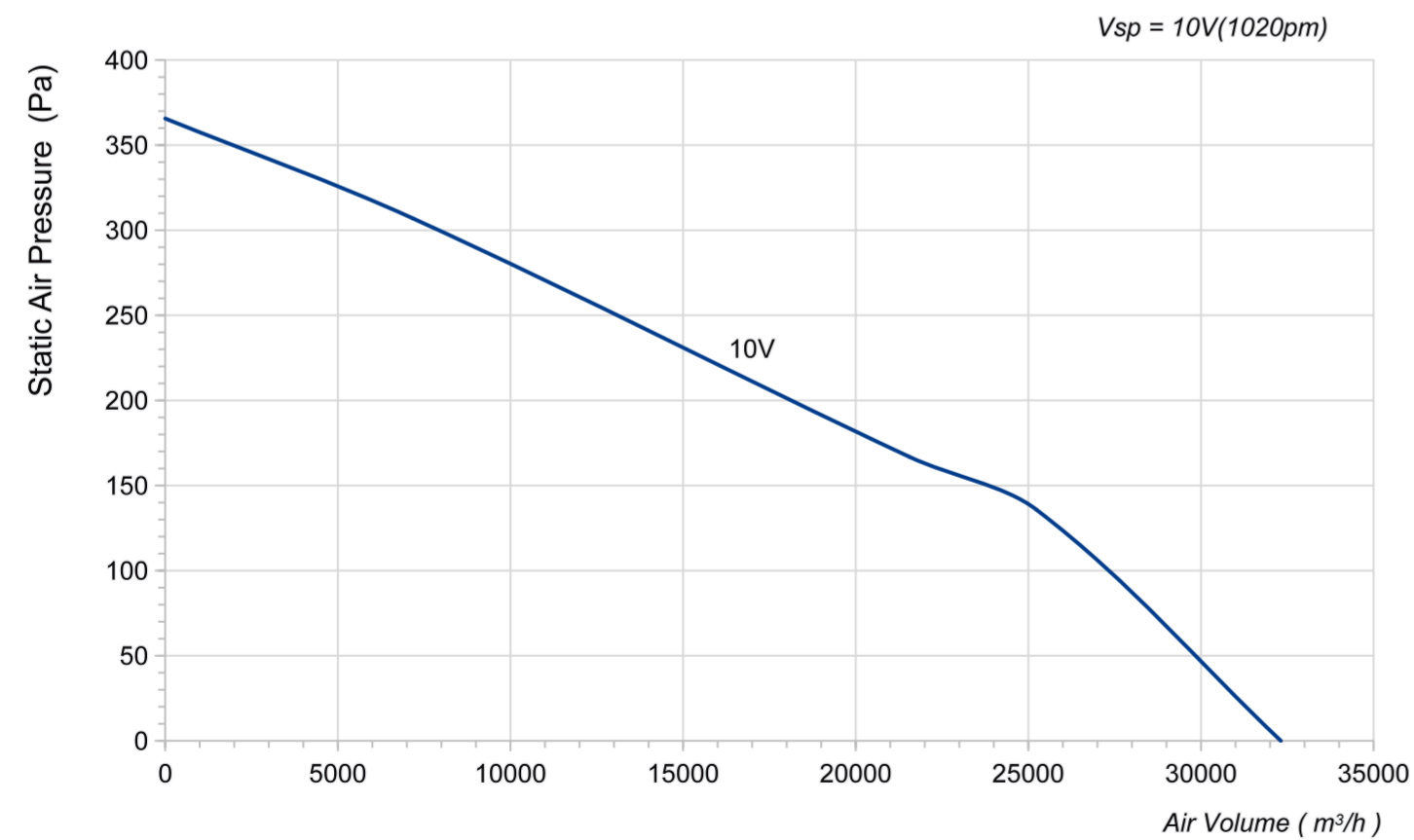
Product Characteristic

- Material: Aluminium alloy
- Type of protection: IP54
- Insulation class: F
- Motor type: BLEC Motor
- Operation Temperature: -25 C ~ +60 C
- Techniacal Feature: Control input 0-10VDC/PWM/RS485,Tech output,Locked-Rotor protection,Reverse Polarity, Over-voltage protection, Soft Start Protection.

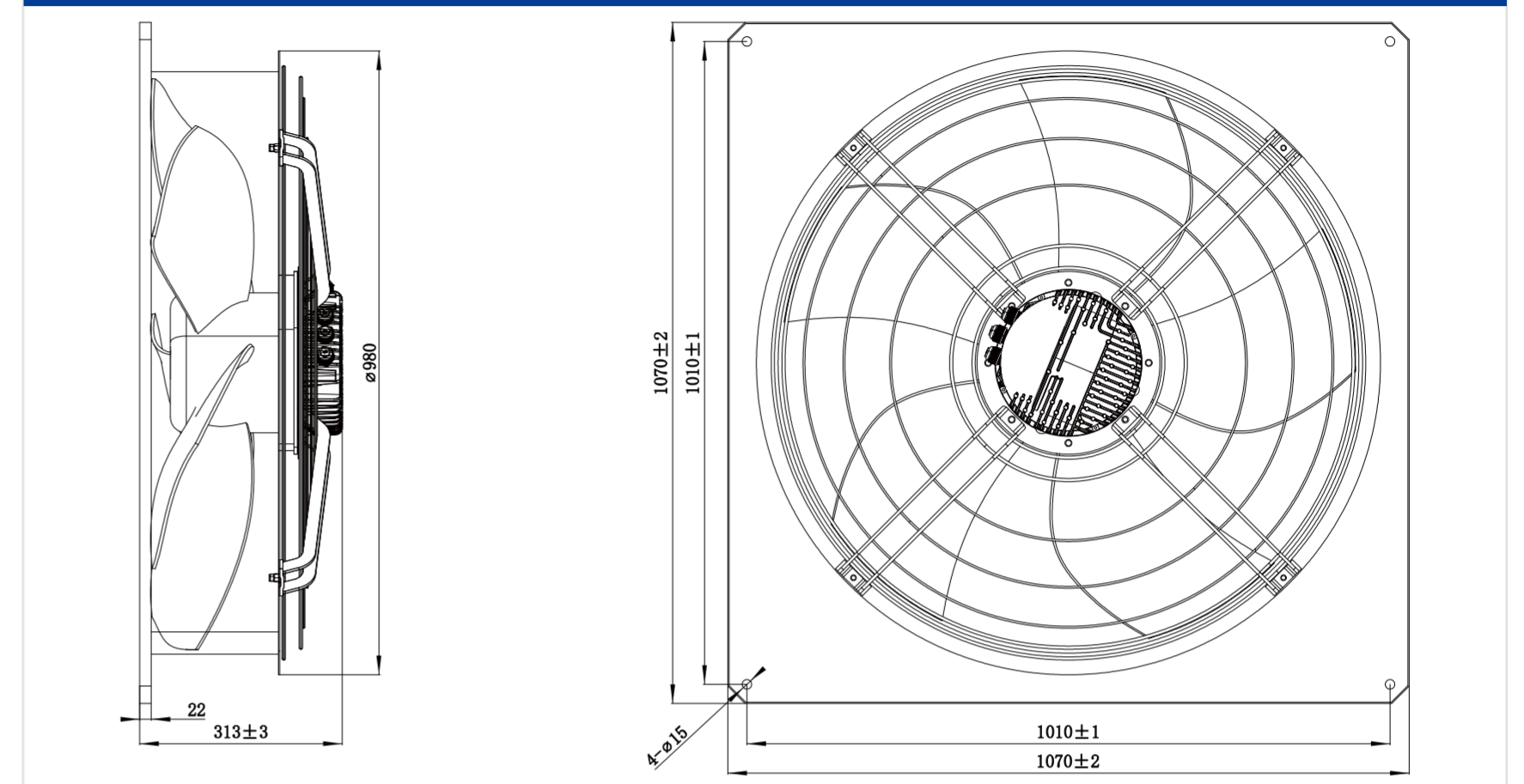


Technical Specifications

Model	Voltage (V)	Frequency (Hz)	Current (A)	Power [W(@0Pa)]	Speed (RPM)	Air Volume (m³/h)	Noise [dB(A)]
LWAE3G900TS-5MGW-01	3-380-480	50/60	4.46	2785	1020	32313	85



LWAE3G900TS-5MGW-01



LWAE-900 Series

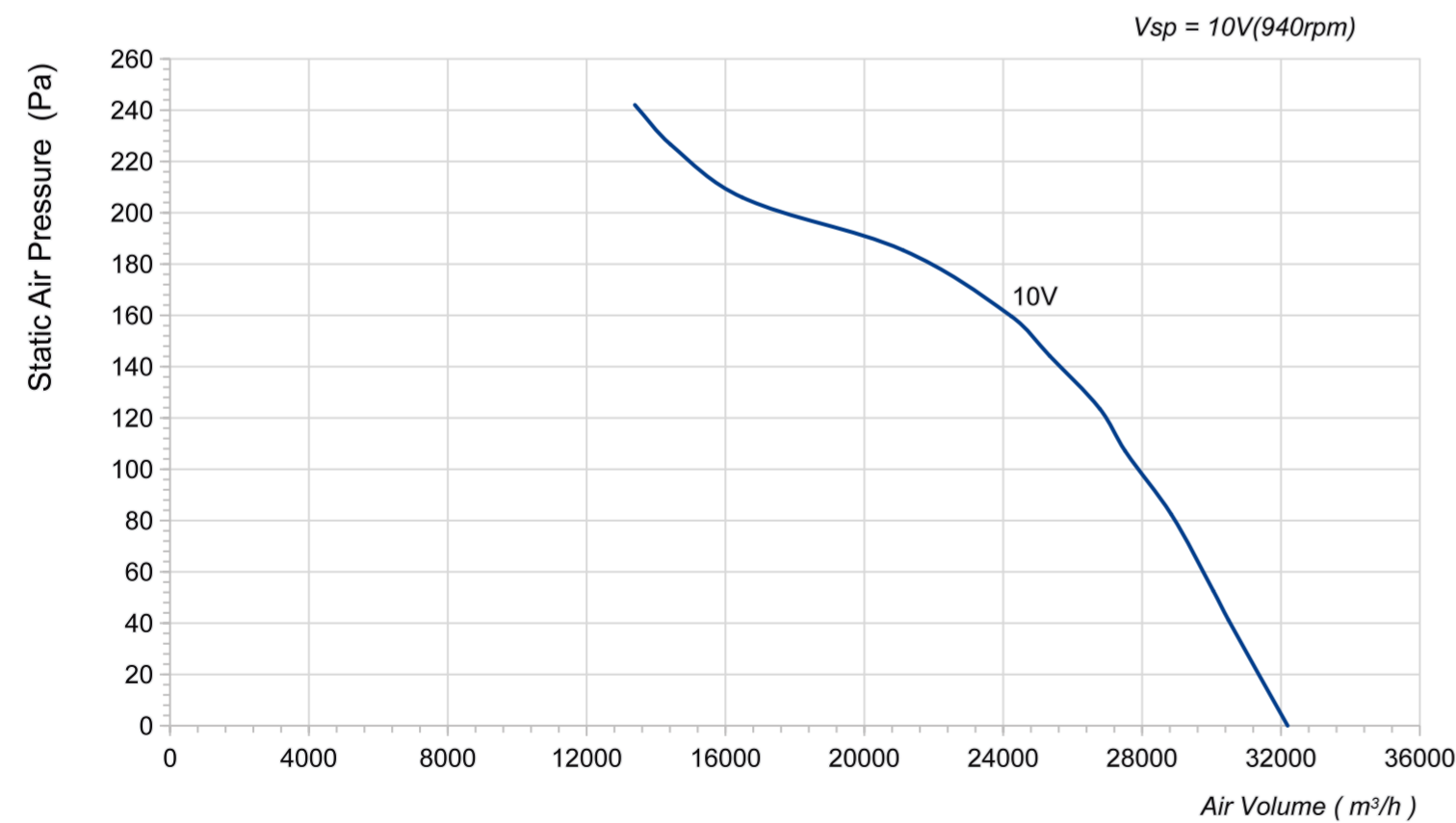
Product Characteristic

- Material: PA66
- Type of protection: IP54
- Insulation class: F
- Motor type: BLEC Motor
- Operation Temperature: -25 C ~ +60 C
- Techniacal Feature: Control input 0-10VDC/PWM/RS485, Tech output, Locked-Rotor protection, Reverse Polarity, Over-voltage protection, Soft Start Protection.



Technical Specifications

Model	Voltage (V)	Frequency (Hz)	Current (A)	Power [W(@0Pa)]	Speed (RPM)	Air Volume (m³/h)	Noise [dB(A)]
LWAE3G900TS-5PKW-02	400	50/60	2.79	1645	940	32192	76



LWAE3G900TS-5PKW-02

