

Internal Rotor Axial Fan

Refrigeration Specially Used Axial Fan mainly consists of motor, impeller and casing, it is usually used in occasions with higher pressure requirements. This axial fan fixes the position and moves the air. This axial fan is widely used for ventilation and air exchanging in factories, warehouses, offices, houses and other places, and can also be used for air coolers, cold storage, evaporators, condensers, spray cooling, etc.

Voltage: Three-phase 380V/50Hz

Relative humidity: ≤ 90%

Working mode: S1

Insulation class: B, F

Ambient temperature: between -30°C and 60°C

Altitude: ≤ 1000 m

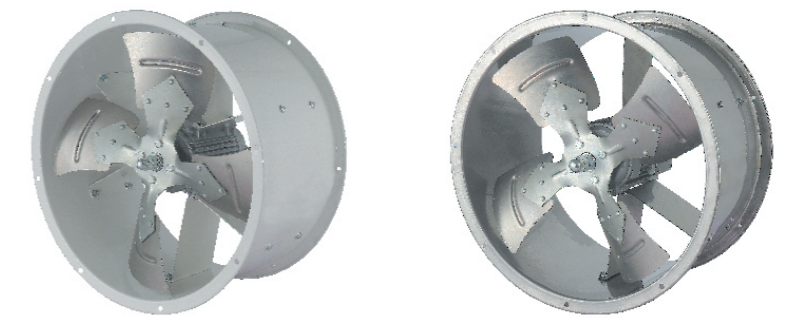
Average use life: ≥ 30,000 hours

Protection level: IP44, Ip54

LWAA4D-500 Series Axial Fan Used for Refrigerator

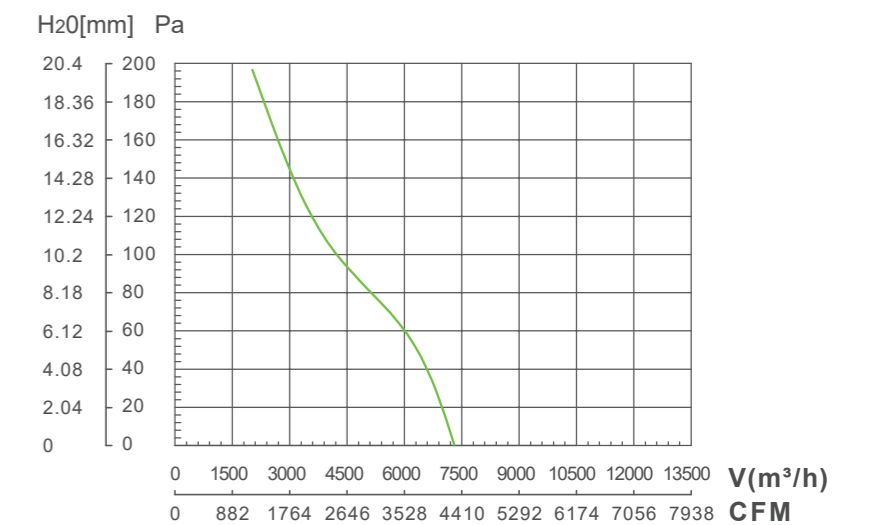
Product Characteristic

- Voltage : Three-phase, 380V/50Hz
- Relative humidity: 90%
- Working mode: S1
- Insulation class: B/F
- Altitude: ≤1000m;
- Average use life: ≥30,000hours
- Protection level: IP44, IP54
- Ambient temperature: between -30 °C and 60 °C



General Type

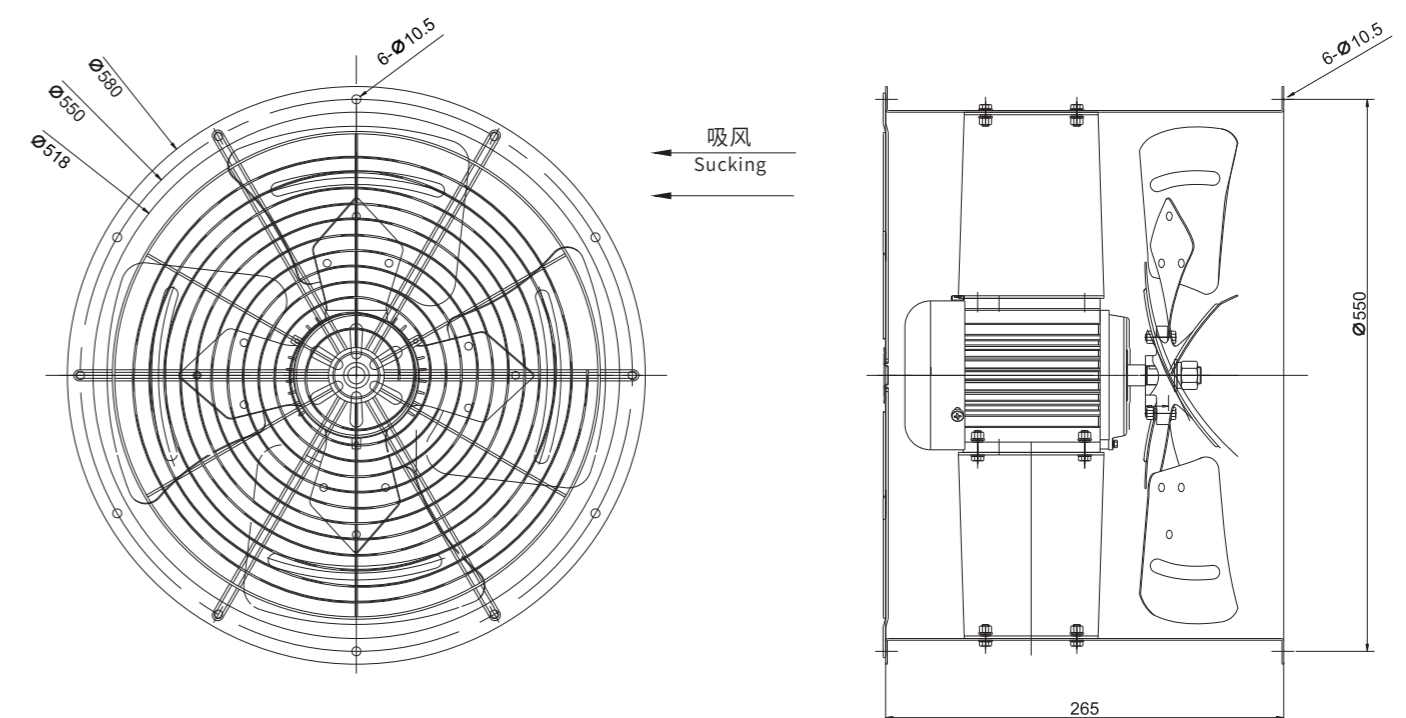
Stainless Steel Type



Technical Specifications

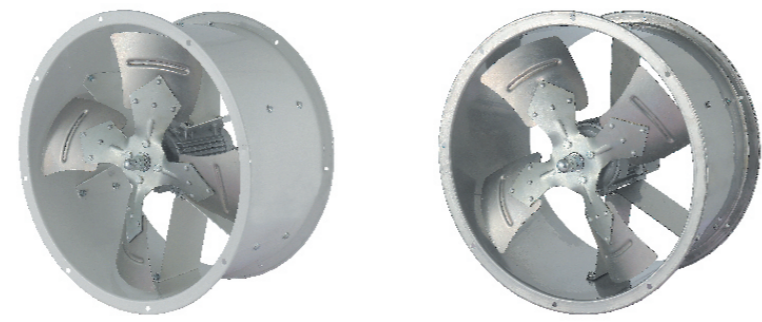
Model	Voltage (V)	Frequency (Hz)	Current (A)	Input Power (W)	Speed (RPM)	Static Pressure (Pa)	Air Volume (m³/h)	Total Pressure (Pa)
LWAA4D-500-01	380	50	1.67	864	1382	200	2327	255
LWAA4D-500-02	380	50	1.65	839	1375	140	3766	159
LWAA4D-500-03	380	50	1.63	801	1398	100	4228	152
LWAA4D-500-04	380	50	1.55	687	1413	60	6059	119
LWAA4D-500-05	380	50	1.20	626	1425	0	7360	58

Product Drawing (mm)



LWAA4D-550 Series

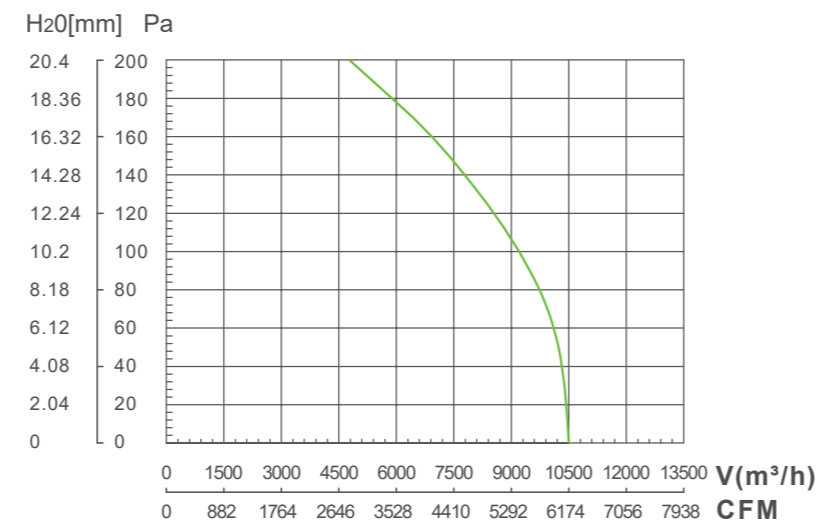
Axial Fan Used for Refrigerator



General Type Stainless Steel Type

Product Characteristic

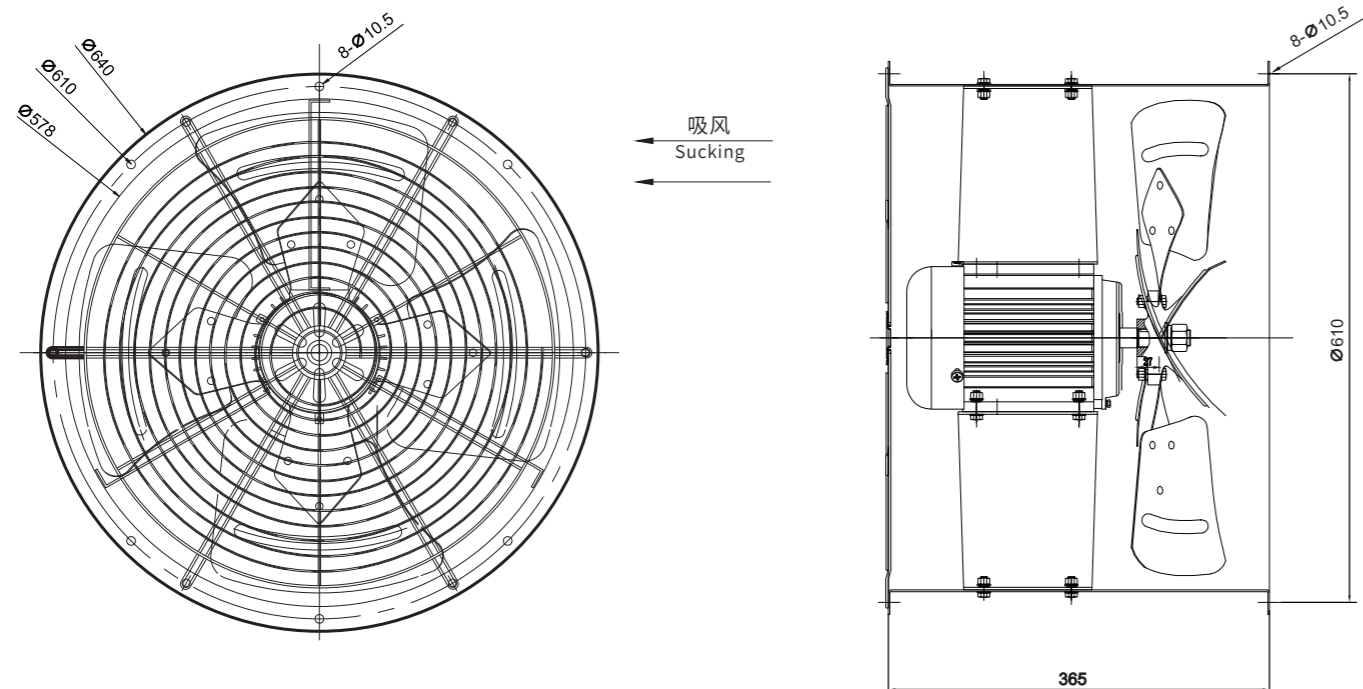
- Voltage : Three-phase,380V/50Hz
- Relative humidity: 90%
- Working mode: S1
- Insulation class: B/F
- Altitude: ≤1000m;
- Average use life: ≥30,000hours
- Protection level: IP44,IP54
- Ambient temperature: between -30℃ and 60℃



Technical Specifications

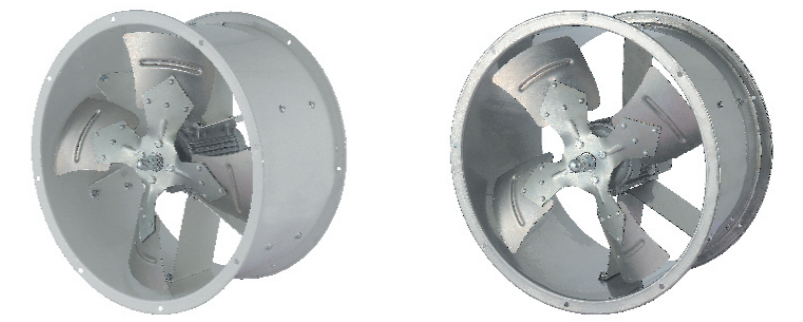
Model	Voltage (V)	Frequency (Hz)	Current (A)	Input Power (W)	Speed (RPM)	Static Pressure (Pa)	Air Volume (m³/h)	Total Pressure (Pa)
LWAA4D-550-01	380	50	2.3	1158	1382	200	4560	239
LWAA4D-550-02	380	50	2.14	983	1375	140	7321	162
LWAA4D-550-03	380	50	2.08	936	1398	100	8872	152
LWAA4D-550-04	380	50	2.0	831	1413	60	9981	129
LWAA4D-550-05	380	50	2.0	802	1425	0	10500	56

Product Drawing (mm)



LWAA4D-600 Series

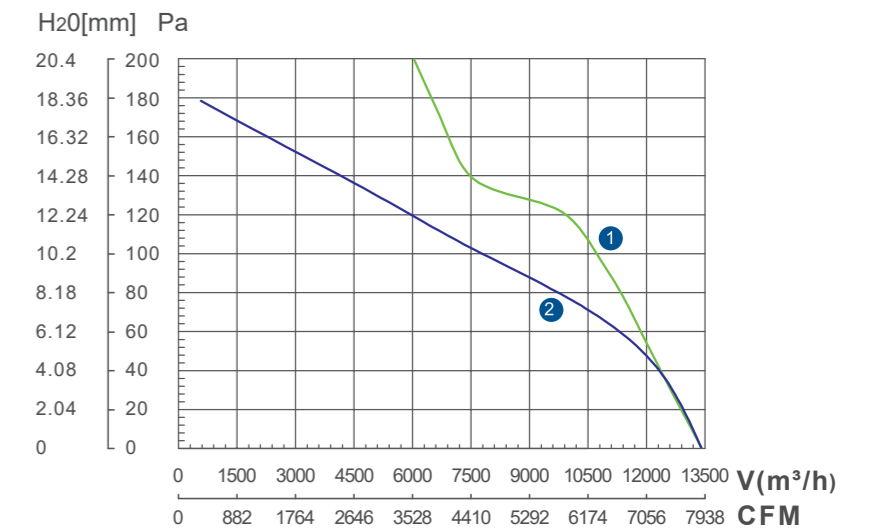
Axial Fan Used for Refrigerator



General Type Stainless Steel Type

Product Characteristic

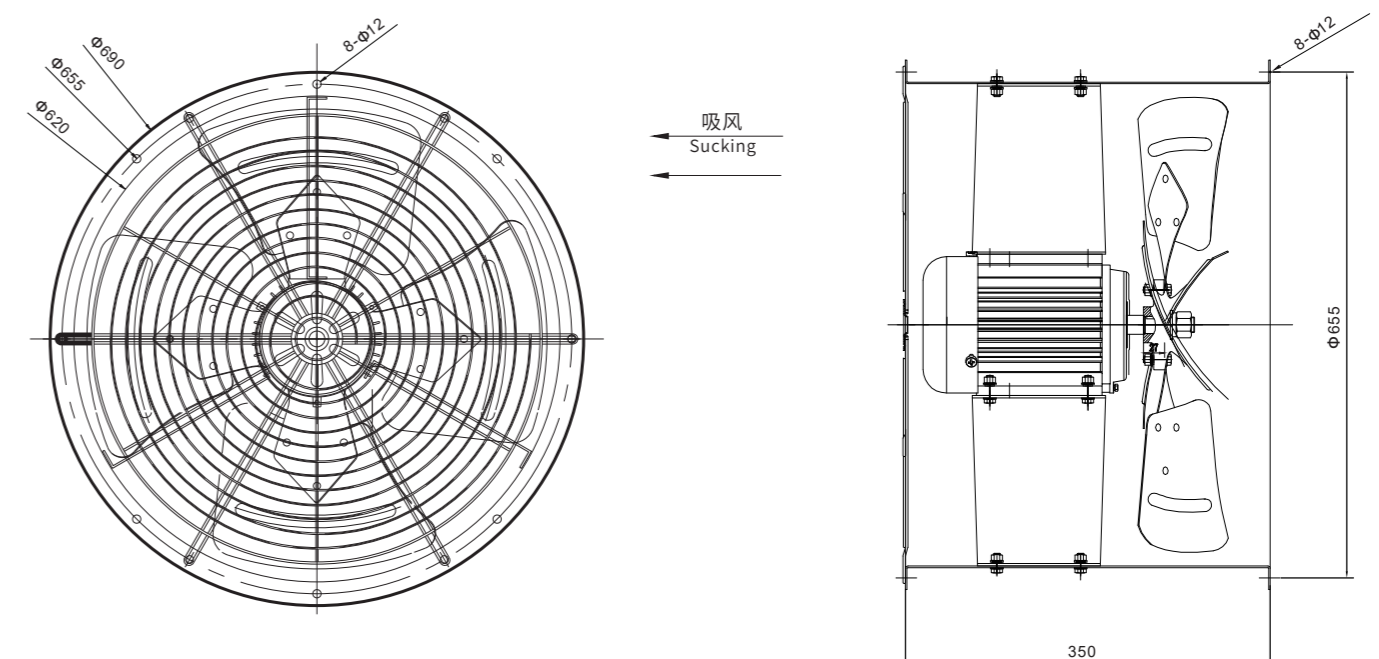
- Voltage : Three-phase,380V/50Hz
- Relative humidity: 90%
- Working mode: S1
- Insulation class: B/F
- Altitude: ≤1000m;
- Average use life: ≥30,000hours
- Protection level: IP44,IP54
- Ambient temperature: between -30℃ and 60℃



Technical Specifications

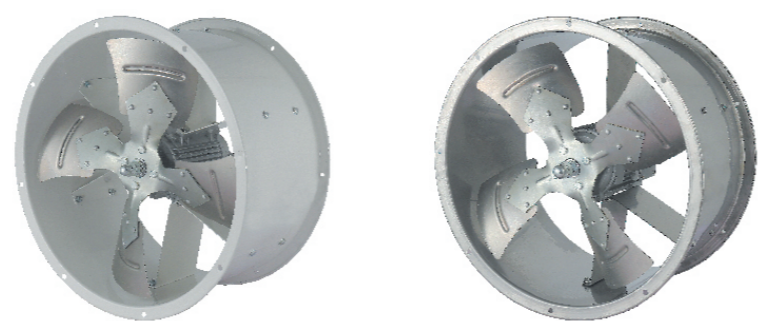
Model	Voltage (V)	Frequency (Hz)	Current (A)	Input Power (W)	Speed (RPM)	Static Pressure (Pa)	Air Volume (m³/h)	Total Pressure (Pa)	Cure
LWAA4D-600-01	380	50	2.96	1519	1432	200	6136	245	①
LWAA4D-600-02	380	50	2.9	1384	1435	140	7435	169	①
LWAA4D-600-03	380	50	2.85	1276	1438	100	10570	156	①
LWAA4D-600-04	380	50	2.8	1104	1443	61	11833	130	①
LWAA4D-600-05	380	50	2.7	1064	1445	0	13244	87	①
LWAA4D-600-06	380	50	3.7	1888	1400	200	7352	243	②
LWAA4D-600-07	380	50	3.6	1677	1425	140	8536	166	②
LWAA4D-600-08	380	50	3.5	1508	1445	100	11552	150	②
LWAA4D-600-09	380	50	3.4	1438	1449	61	13982	133	②
LWAA4D-600-10	380	50	3.3	1335	1458	0	15215	70	②

Product Drawing (mm)



LWAA4D-700 Series

Axial Fan Used for Refrigerator

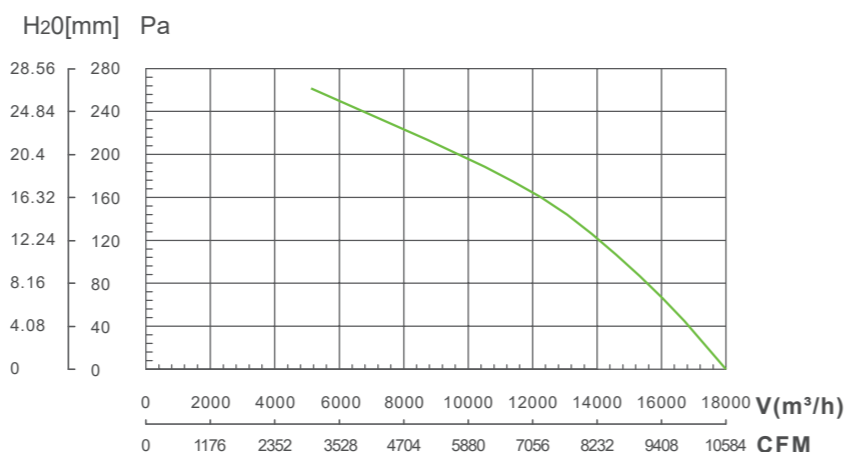


General Type

Stainless Steel Type

Product Characteristic

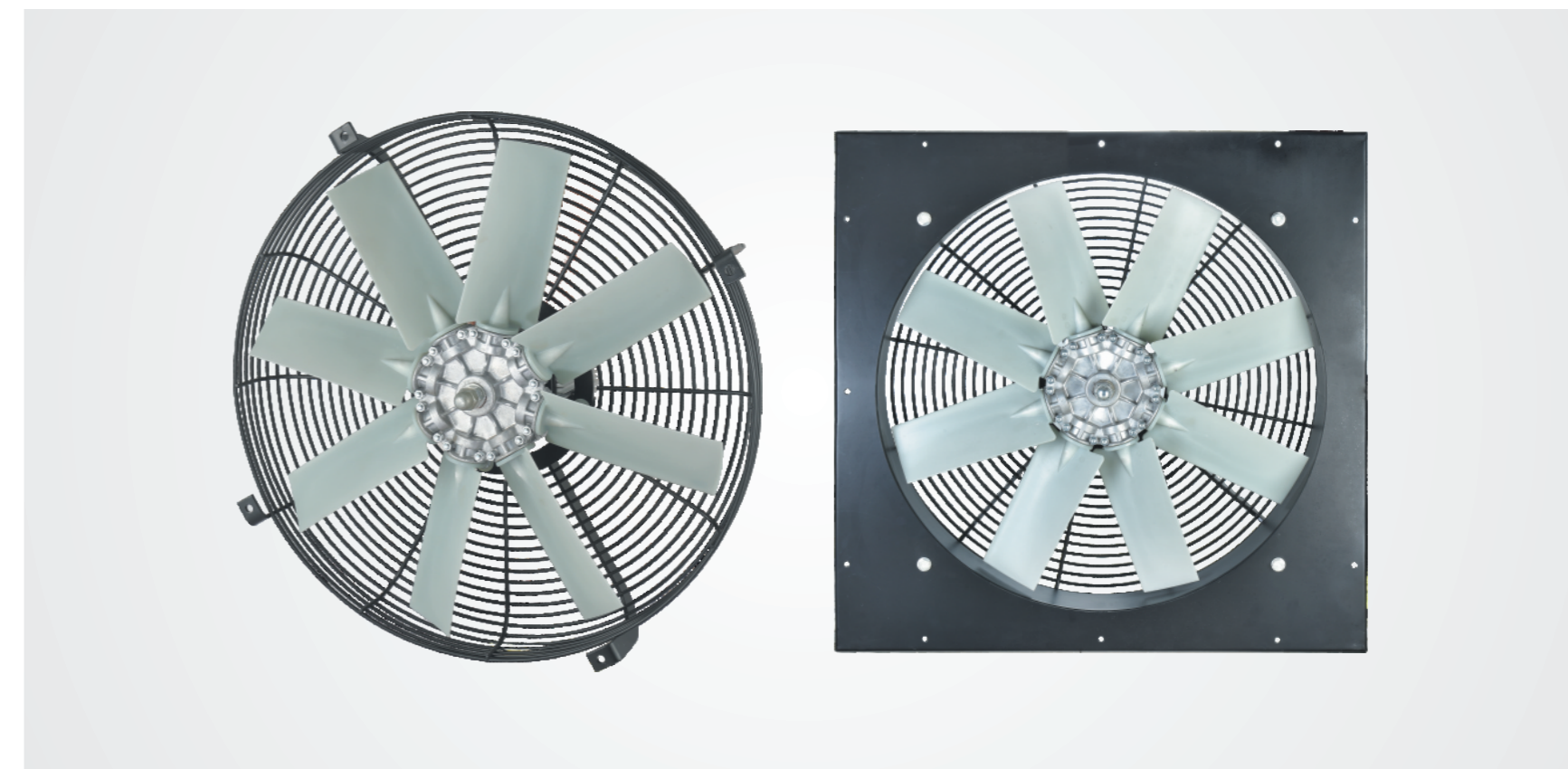
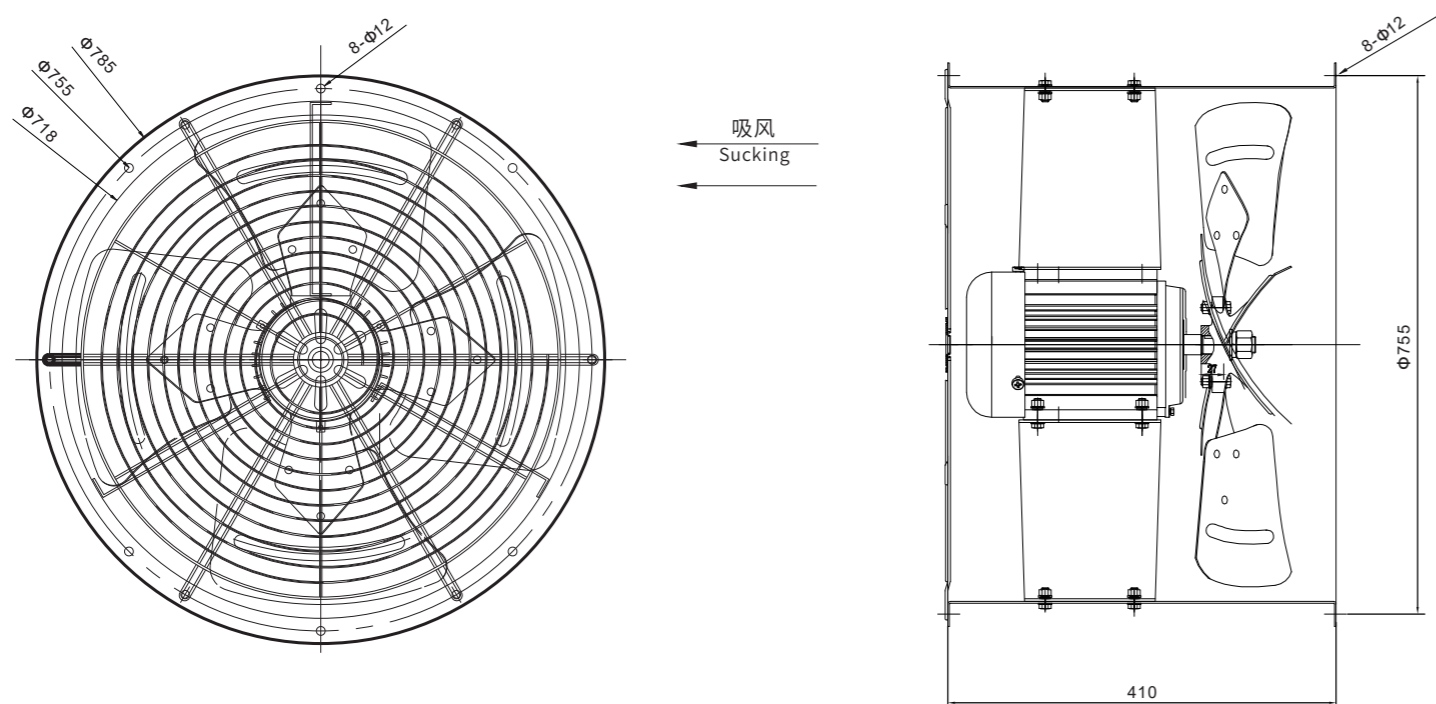
- Voltage : Three-phase,380V/50Hz
- Relative humidity: 90%
- Working mode: S1
- Insulation class: B/F
- Altitude: ≤1000m;
- Average use life: ≥30,000hours
- Protection level: IP44,IP54
- Ambient temperature: between -30℃ and 60℃



Technical Specifications

Model	Voltage (V)	Frequency (Hz)	Current (A)	Input Power (W)	Speed (RPM)	Static Pressure (Pa)	Air Volume (m³/h)	Total Pressure (Pa)
LWAA4D-700-01	380	50	3.95	2122	1434	200	9854	253
LWAA4D-700-02	380	50	3.85	1982	1442	140	13584	191
LWAA4D-700-03	380	50	3.66	1954	1452	100	15628	182
LWAA4D-700-04	380	50	3.63	1756	1453	60	16722	155
LWAA4D-700-05	380	50	3.5	1674	1458	0	18054	122

Product Drawing (mm)



Internal Rotor Axial Fan

The axial fan adopts inner rotor motor, and the motor is carefully designed according to the characteristics of the fan. It has features as small size, light weight, low vibration, low temperature rise, excellent performance, protection grade IP54, high reliability and high efficiency.

It is widely used in central air conditioners, screw air compressors, refrigeration equipment, electrical equipment, and internal ventilation and heat dissipation of buildings. To make it as SI, it can operate continuously according to the rated value given on the nameplate.

This series of motors, as a supporting product for negative motors, must be operated with blades when used. The motor is cooled by the airflow generated by the fan blades. Otherwise, the motor's own heat cannot be effectively dissipated, which may cause the motor to burn out.

Voltage: Three-phase 380V/50Hz

Relative humidity: ≤ 90%

Working mode: S1

Insulation class: B, F

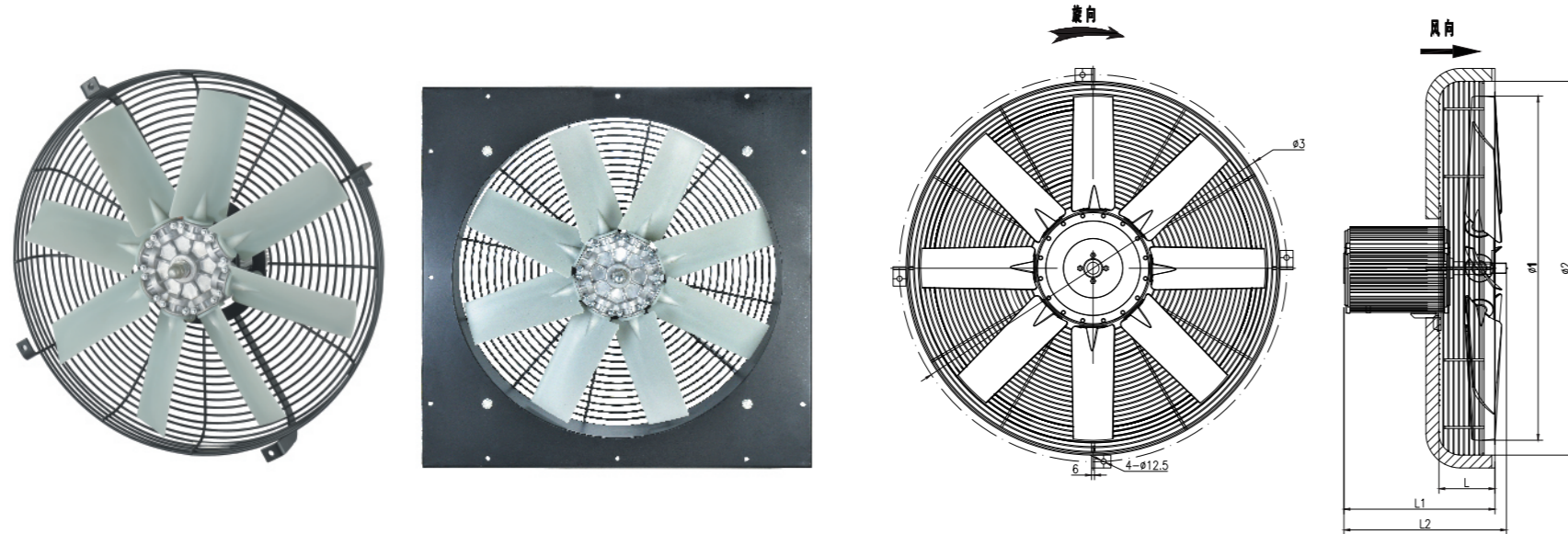
Ambient temperature: between -30°C and 60°C

Altitude: ≤ 1000 m

Average use life: ≤ 30,000 hours

Protection level: IP44, Ip54

LWAA650-800 Series



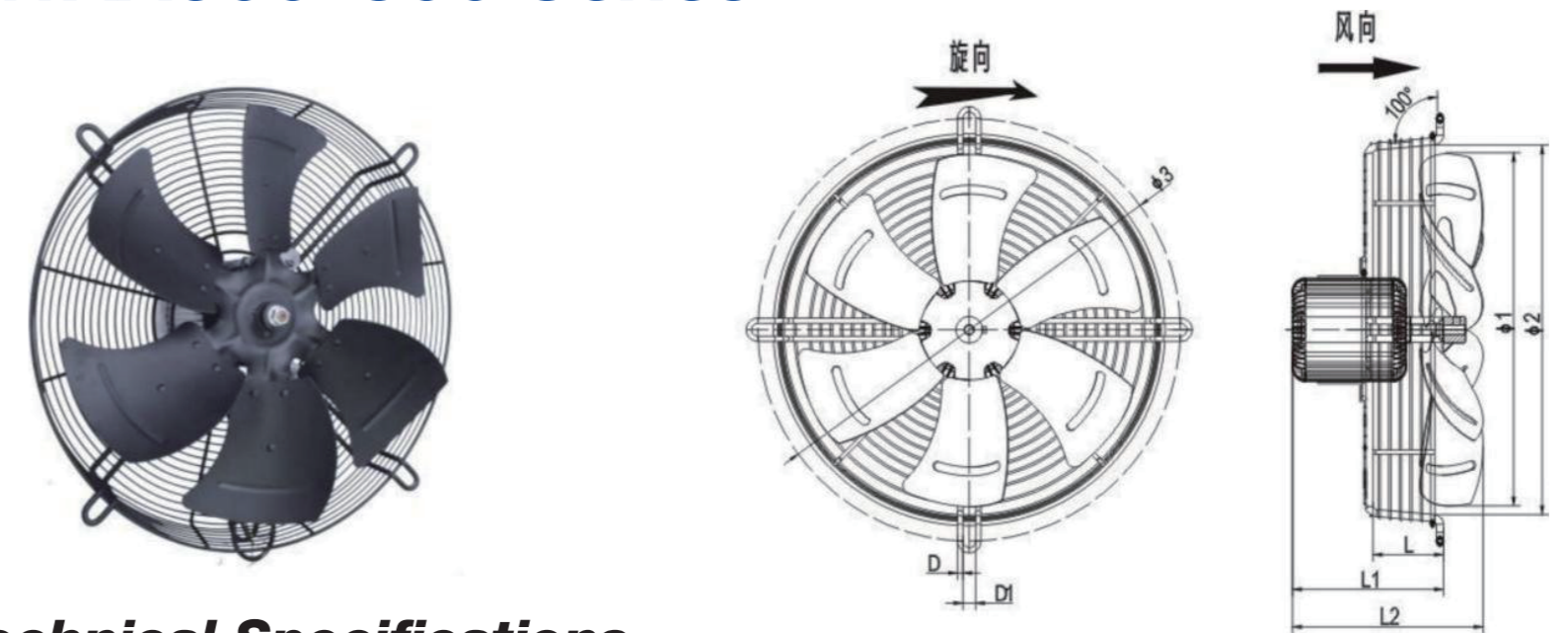
Technical Specifications

Model	Voltage (V)	Frequency (Hz)	Current (A)	Input Power (W)	Speed (RPM)	Air Volume (m³/h)	Total Pressure (Pa)	Noise (dBA)
LWAA-650-01	380	50	3.25	1500	1450	14380	256	83
LWAA-650-02	380	50	4.25	2200	1450	17290	287	84
LWAA-700-01	380	50	4.8	1500	960	14380	122	78
LWAA-700-02	380	50	5.25	3000	1450	22530	291	84
LWAA-750-01	380	50	4.8	1500	960	15365	122	78
LWAA-750-02	380	50	5.6	2200	960	18680	163	79
LWAA-750-03	380	50	5.25	3000	1450	25480	291	86
LWAA-800-01	380	50	5.6	2200	960	22800	172	78
LWAA-800-02	380	50	8.29	4000	1450	26800	300	88
LWAA-800-03	380	50	9.5	4500	1450	28800	300	88

Installation dimension sheet

Model	Power	Φ1	Φ2	Φ3	D	D1	L	L1	L2
LWAA-650-01	1.5-4	650	719	750	6	12.5	130	310	330
LWAA-650-02	2.2-4	650	719	750	6	12.5	130	310	330
LWAA-700-01	1.5-6	700	769	800	6	12.5	130	310	330
LWAA-700-02	3KW-4	700	769	800	6	12.5	130	350	373
LWAA-750-01	1.5-6	750	819	850	6	12.5	130	310	330
LWAA-750-02	2.2-6	750	819	850	6	12.5	130	350	373
LWAA-750-03	3KW-4	750	819	850	6	12.5	130	350	373
LWAA-800-01	2.2-6	800	869	900	6	12.5	130	350	373
LWAA-800-02	4KW-4	800	869	900	6	12.5	130	360	380
LWAA-800-03	4.5KW-4	800	869	900	6	12.5	130	360	380

LWAA300-800 Series



Technical Specifications

Model	Voltage (V)	Frequency (Hz)	Current (A)	Input Power (W)	Speed (RPM)	Air Flow (m³/h)	Total Pressure (Pa)	Noise (dBA)
LWAA-300-01	380	50	0.27	120	1350	2000	48	68
LWAA-400-01	380	50	0.61	280	1350	4430	52	70
LWAA-450-01	380	50	1.34	370	1430	6400	64	72
LWAA-500-01	380	50	1.95	550	1365	8220	73	73
LWAA-550-01	380	50	2.6	750	1400	10400	88	75
LWAA-600-01	380	50	3.31	1500	1350	14380	122	78
LWAA-650-03	380	50	4.66	2200	1430	17290	136	84
LWAA-700-03	380	50	6.08	3000	1430	22530	163	84.5
LWAA-700-04	380	50	2.35	1200	930	10810	90	77
LWAA-750-04	380	50	8.29	4000	1400	25480	291	86
LWAA-800-04	380	50	4.48	2200	950	23200	110	80

Installation dimension sheet

Model	Power	Φ1	Φ2	Φ3	D	D1	L	L1	L2	Weight (KG)
LWAA-300-01	0.12-4	300	330	360	6	8.5	70	158	188	4.5
LWAA-400-01	0.18-4	400	420	460	6	8.5	80	172	217	6.2
LWAA-450-01	0.37-4	450	500	550	6	8.5	80	170	225	10.7
LWAA-500-01	0.55-4	500	540	600	8	12.5	70	183	265	13.4
LWAA-550-01	0.75-4	550	590	650	8	12.5	70	225	275	13
LWAA-600-01	1.5-4	600	640	700	8	12.5	100	257	280	22
LWAA-650-03	2.2-4	650	719	750	7	12.5	130	273	307	31
LWAA-700-03	3-4	700	769	800	7	12.5	130	313	358	43
LWAA-750-04	4-4	750	819	850	7	12.5	130	350	373	48
LWAA-800-04	2.2-6	800	869	900	7	12.5	130	299	334	55

Parts of Fan



Single Shaft Impeller



Double Shafts Impeller



Aluminum Blades with Saw Teeth



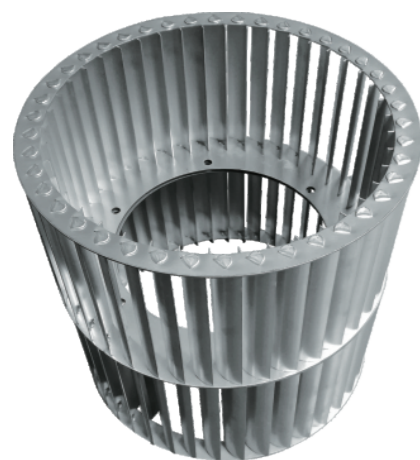
Steel Blades



Straight Nylon blades



Grid for External Rotor Fan



Impeller for External Rotor Centrifugal fan



Motor for External Rotor Centrifugal fan



Inner Rotor Motor