



***Professional HVAC Fan
& Motors Manufacturer***

—— Circular Duct Fan



Website

Ningbo Longwell Electric Technology Co.,Ltd

TEL:+86 (574) 6218 9863

Whatsapp:+0086 18358274663

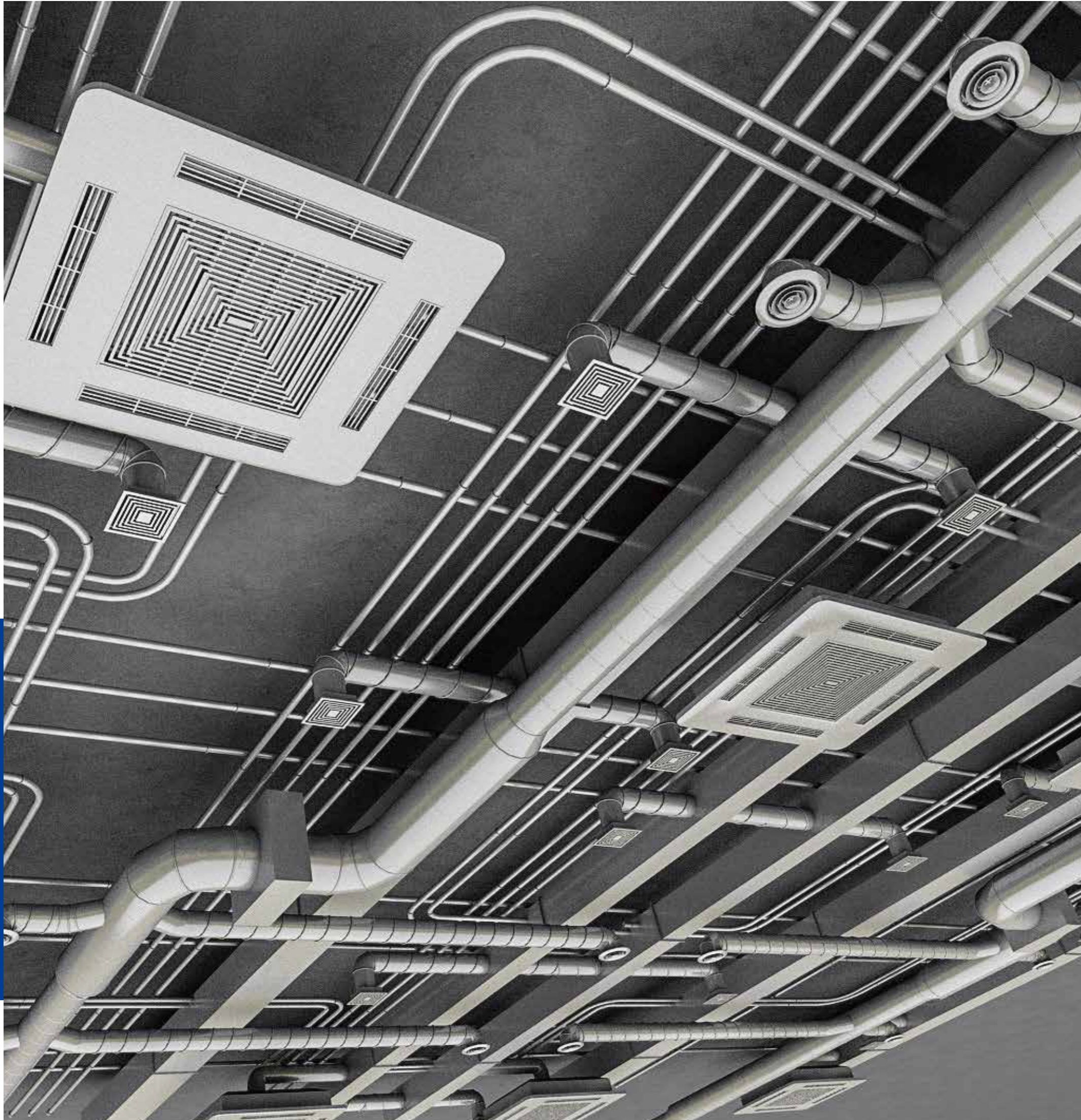
Fax:+86 18358274663

E-mail:sales@zjlongwell.com

Web:<https://www.longwellfans.com/>

Address:#NO.100 ,South of Xuxiang River ,Ditang District, Yuyao,Ningbo
Zhejiang Province,China 315400

Ningbo Longwell Electric Technology CO, LTD

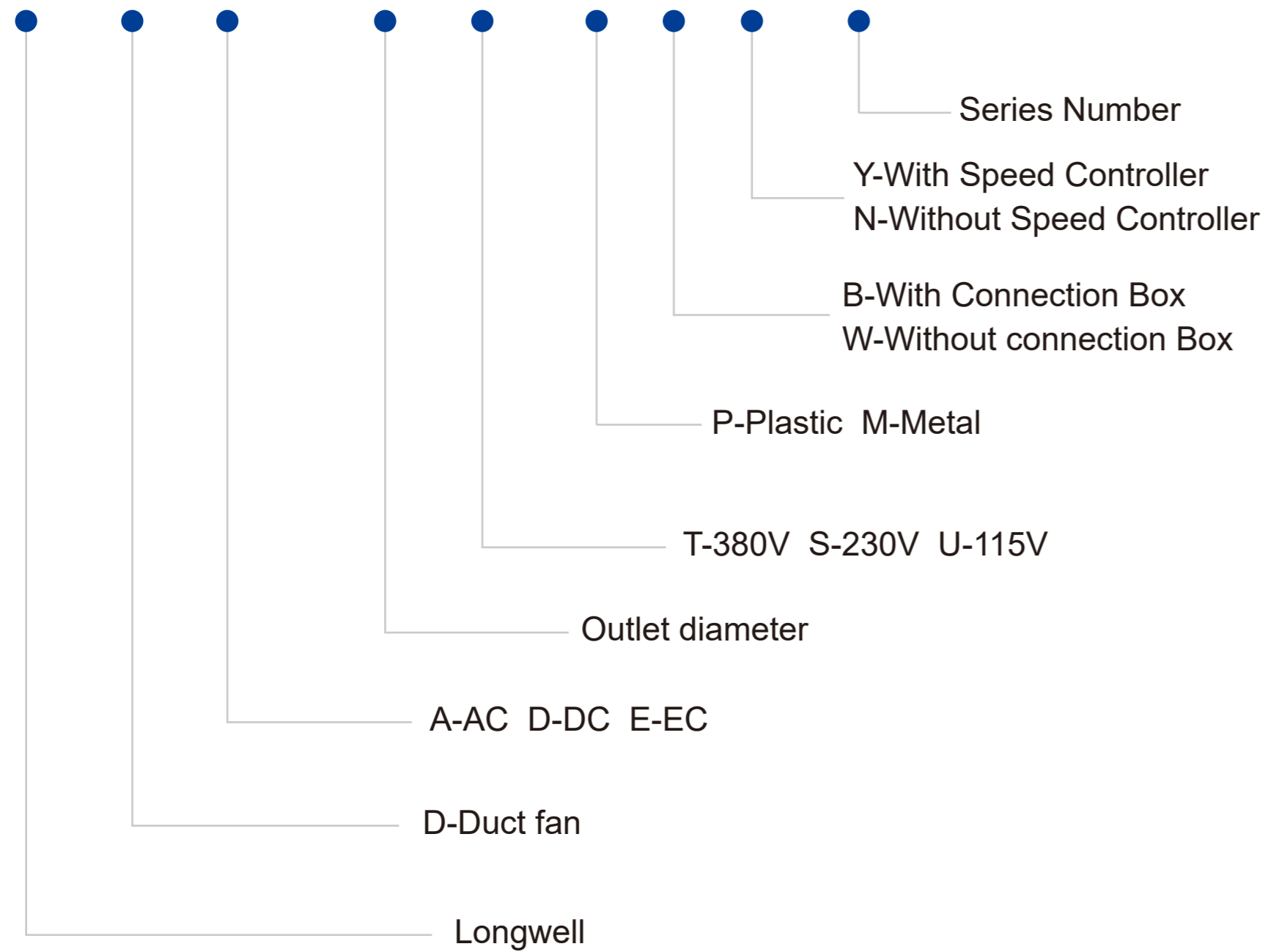


CATALOGUE

01	Type Code
02-16	AC Circular Duct Fan
17-32	EC Circular Duct Fan
33-44	DC Circular Duct Fan

Type Code

LW D E - 100 S - M B N - 10



AC Circular Duct Fan

Professional HVAC Fan & Motors Manufacturer



LWDA-100 Series

Product Characteristic

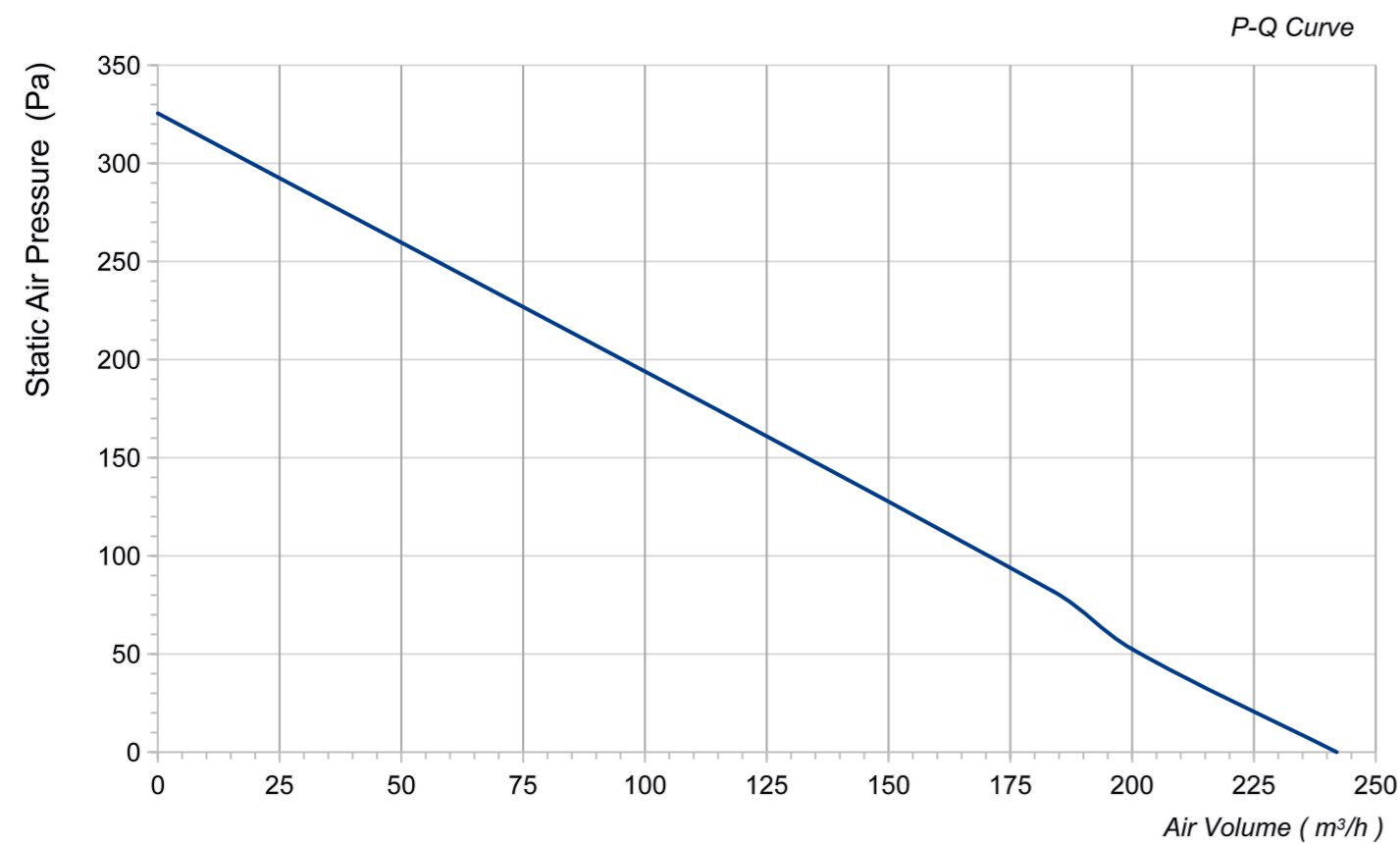
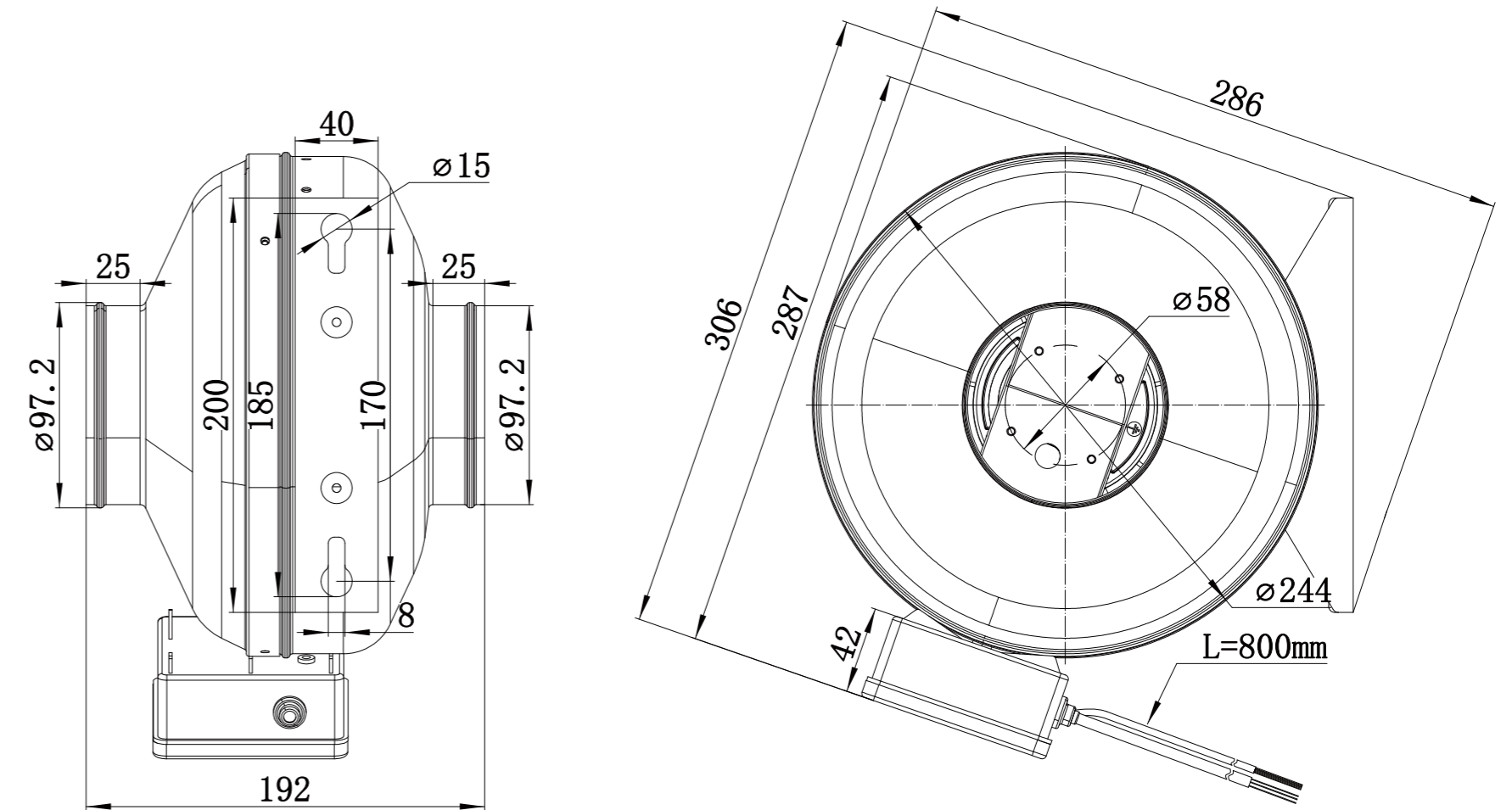
- Impeller Material: Plastic
- Supply Voltage: 230V,50/60Hz
- Mode Of Operation: S1
- Protection Class: IP32
- Insulation Class: F
- Operation Temperature: -25°C ~ +60°C
- Bearing: Maintenance-free ball bearings
- Protection: Blocked rotation, thermal protection, high and low pressure protection



Technical Specifications

Model	Voltage (V)	Frequency (Hz)	Power (W)	Air Flow (m³/h)	Air Pressure (Pa)	Speed (RPM)	Noise [dB(A)]
LWDA-100S-MBN-14	230	50	60	242	326	2450	59

Product Drawing (mm)



LWDA-125 Series

Product Characteristic

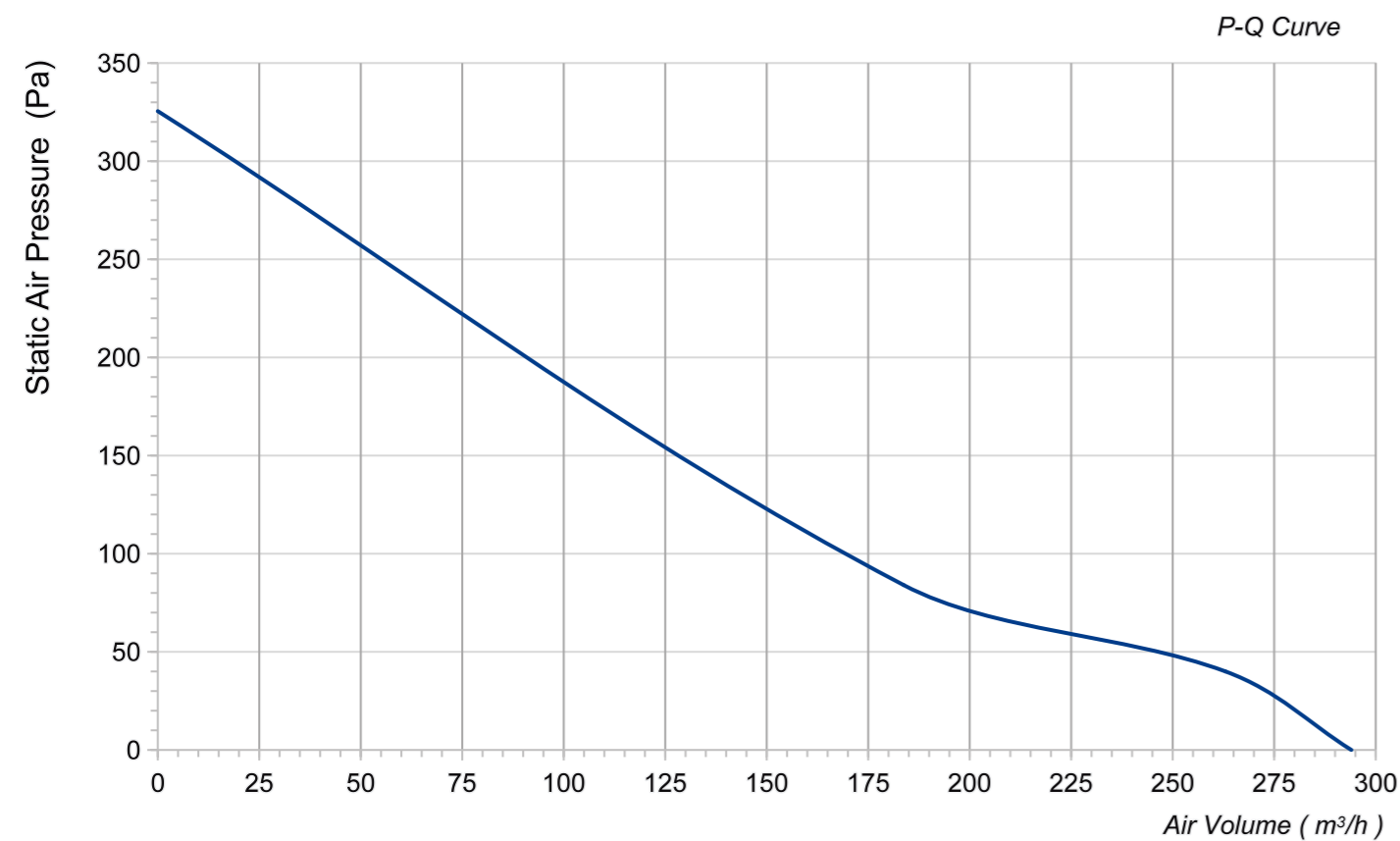
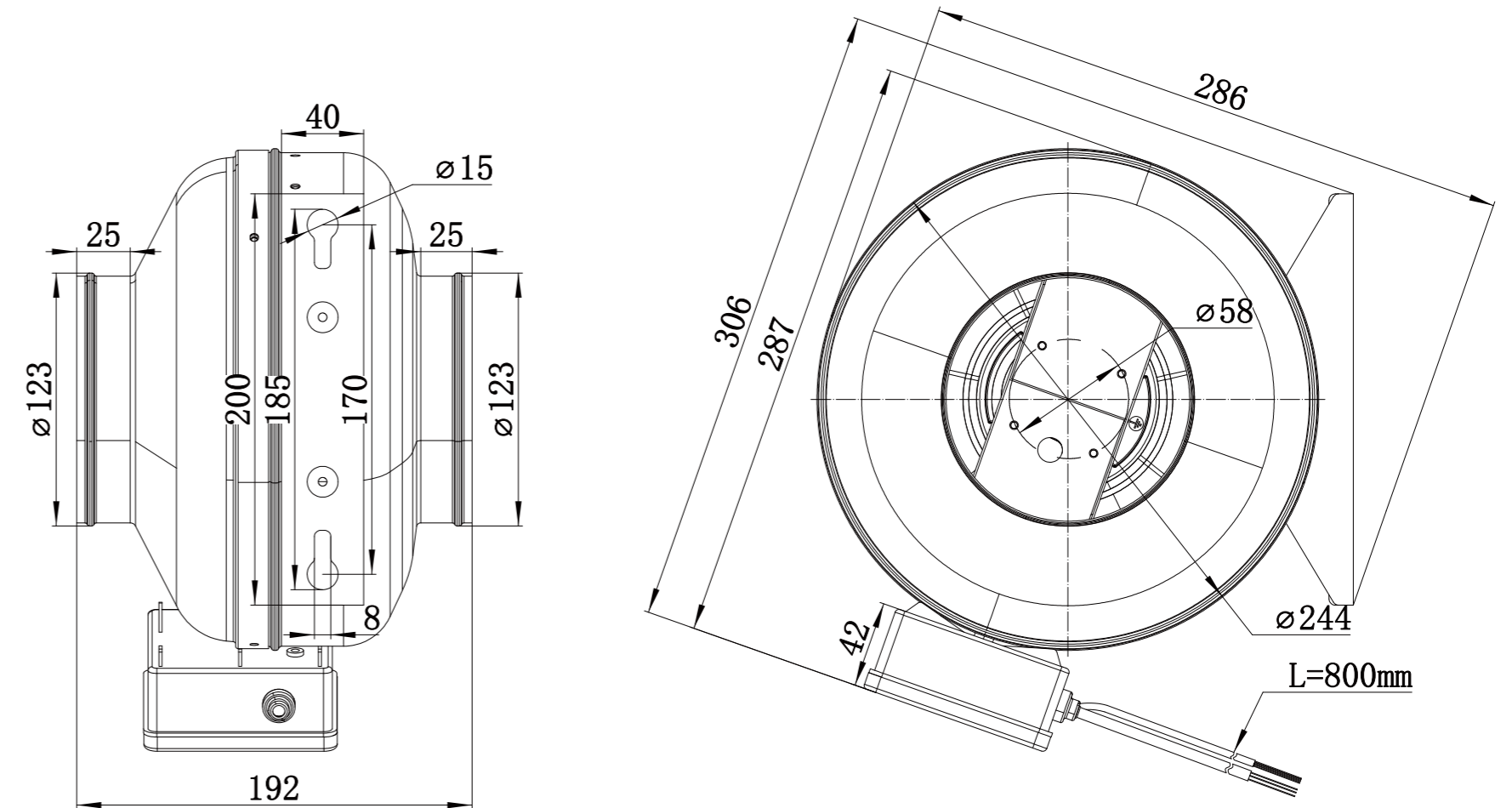
- Impeller Material: Plastic
- Supply Voltage: 230V,50/60Hz
- Mode Of Operation: S1
- Protection Class: IP32
- Insulation Class: F
- Operation Temperature: -25℃ ~+60℃
- Bearing: Maintenance-free ball bearings
- Protection: Blocked rotation, thermal protection, high and low pressure protection



Technical Specifications

Model	Voltage (V)	Frequency (Hz)	Power (W)	Air Flow (m³/h)	Air Pressure (Pa)	Speed (RPM)	Noise [dB(A)]
LWDA-125S-MBN-10	230	50	52	294	326	2350	60

Product Drawing (mm)



LWDA-150 Series



Product Characteristic

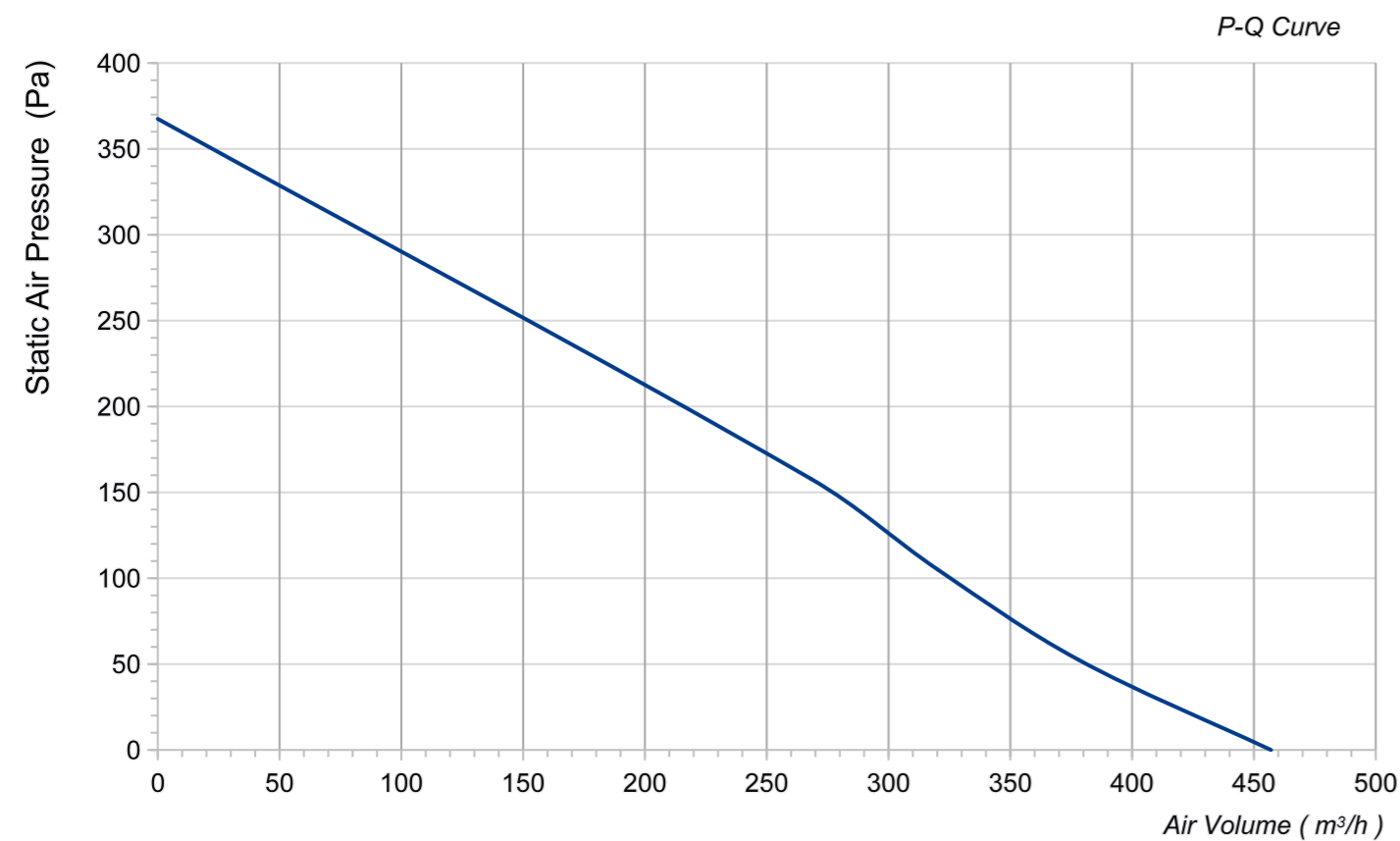
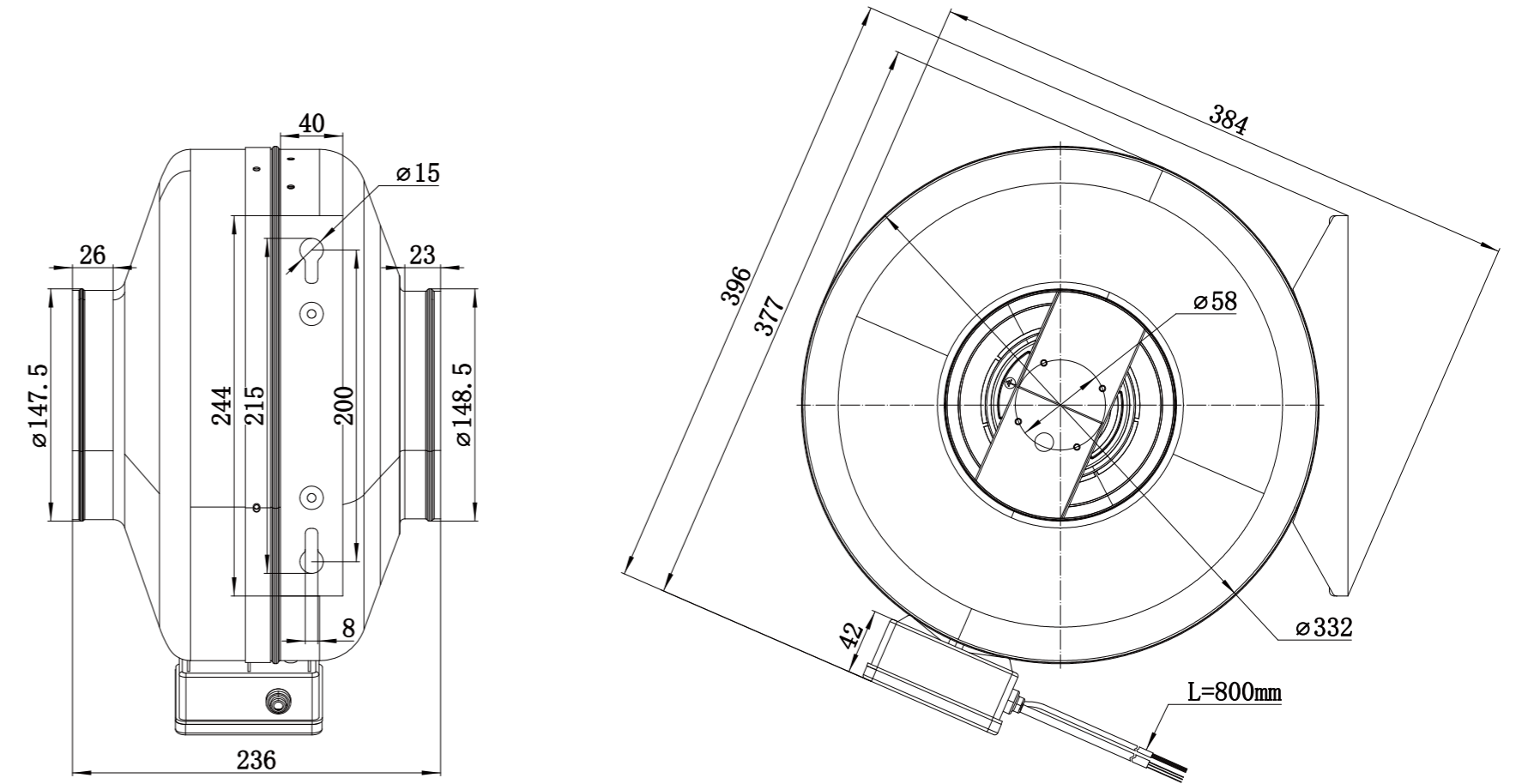
- Impeller Material: Plastic
- Supply Voltage: 230V,50/60Hz
- Mode Of Operation: S1
- Protection Class: IP32
- Insulation Class: F
- Operation Temperature: -25°C ~ +60°C
- Bearing: Maintenance-free ball bearings
- Protection: Blocked rotation, thermal protection, high and low pressure protection



Technical Specifications

Model	Voltage (V)	Frequency (Hz)	Power (W)	Air Flow (m³/h)	Air Pressure (Pa)	Speed (RPM)	Noise [dB(A)]
LWDA-150S-MBN-12	230	50	72	457	368	2160	61

Product Drawing (mm)



LWDA-160 Series



Product Characteristic

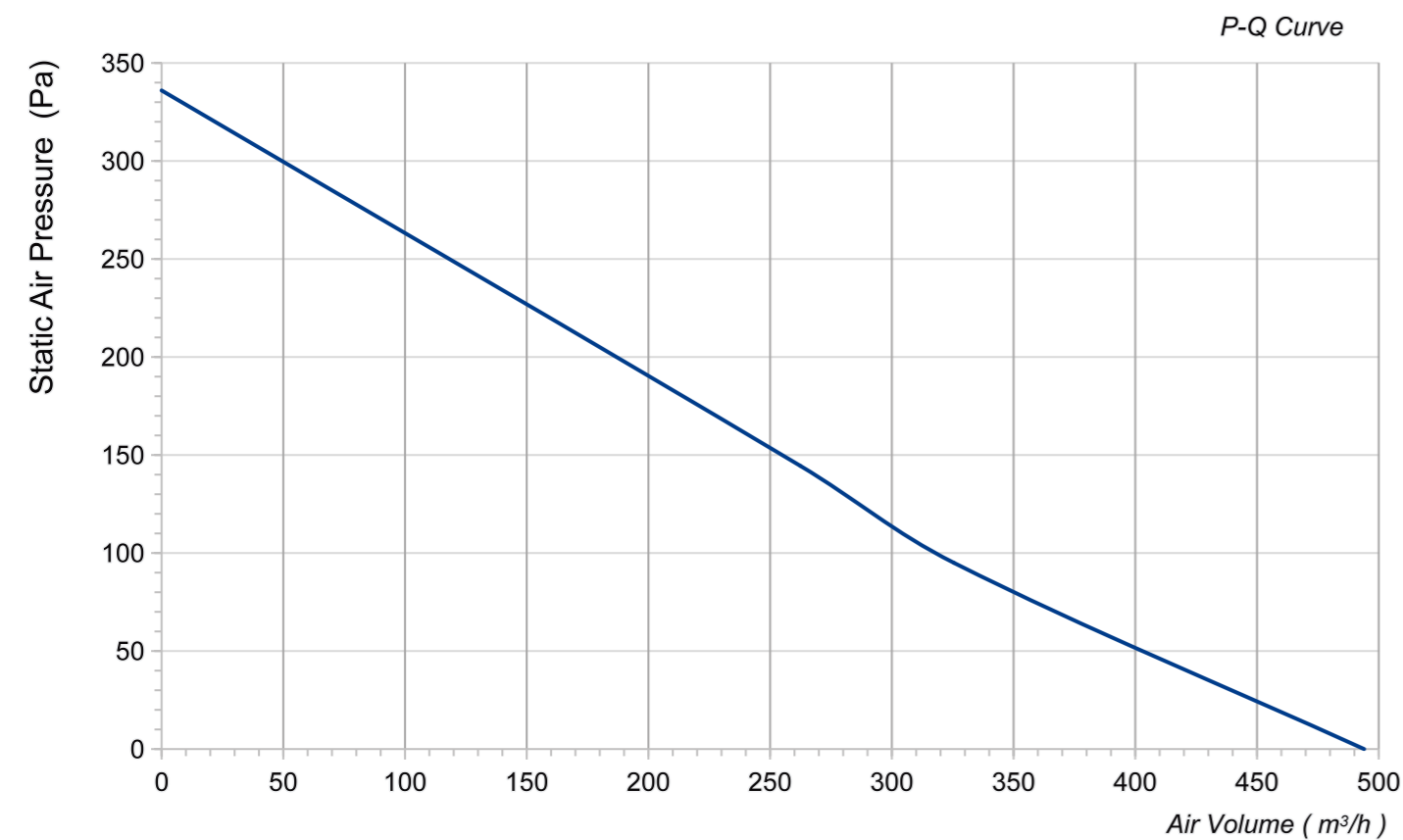
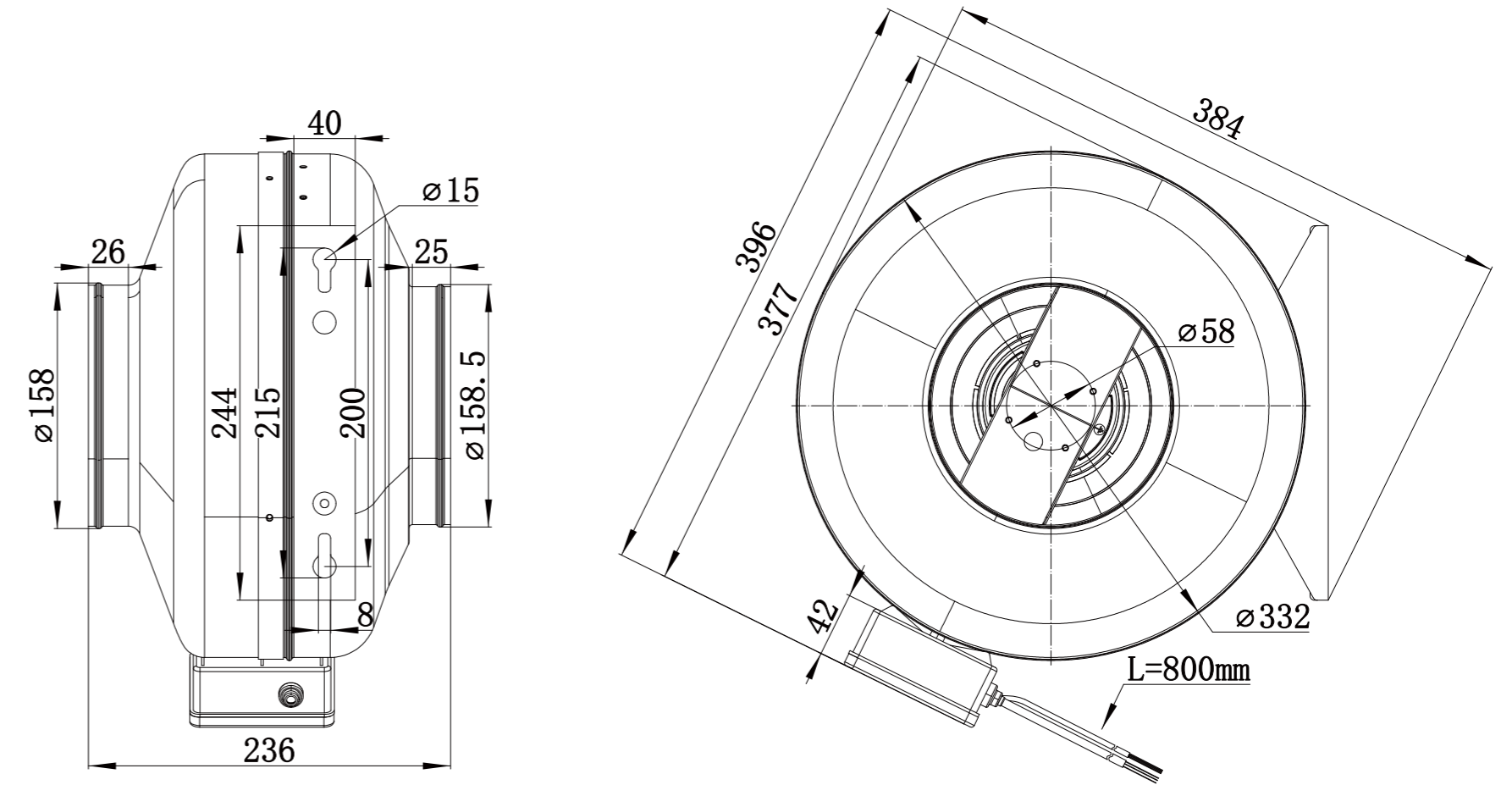
- Impeller Material: Plastic
- Supply Voltage: 230V,50/60Hz
- Mode Of Operation: S1
- Protection Class: IP32
- Insulation Class: F
- Operation Temperature: -25°C ~ +60°C
- Bearing: Maintenance-free ball bearings
- Protection: Blocked rotation, thermal protection, high and low pressure protection



Technical Specifications

Model	Voltage (V)	Frequency (Hz)	Power (W)	Air Flow (m³/h)	Air Pressure (Pa)	Speed (RPM)	Noise [dB(A)]
LWDA-160S-MBN-04	230	50	72	494	336	2200	63

Product Drawing (mm)



LWDA-200 Series



Product Characteristic

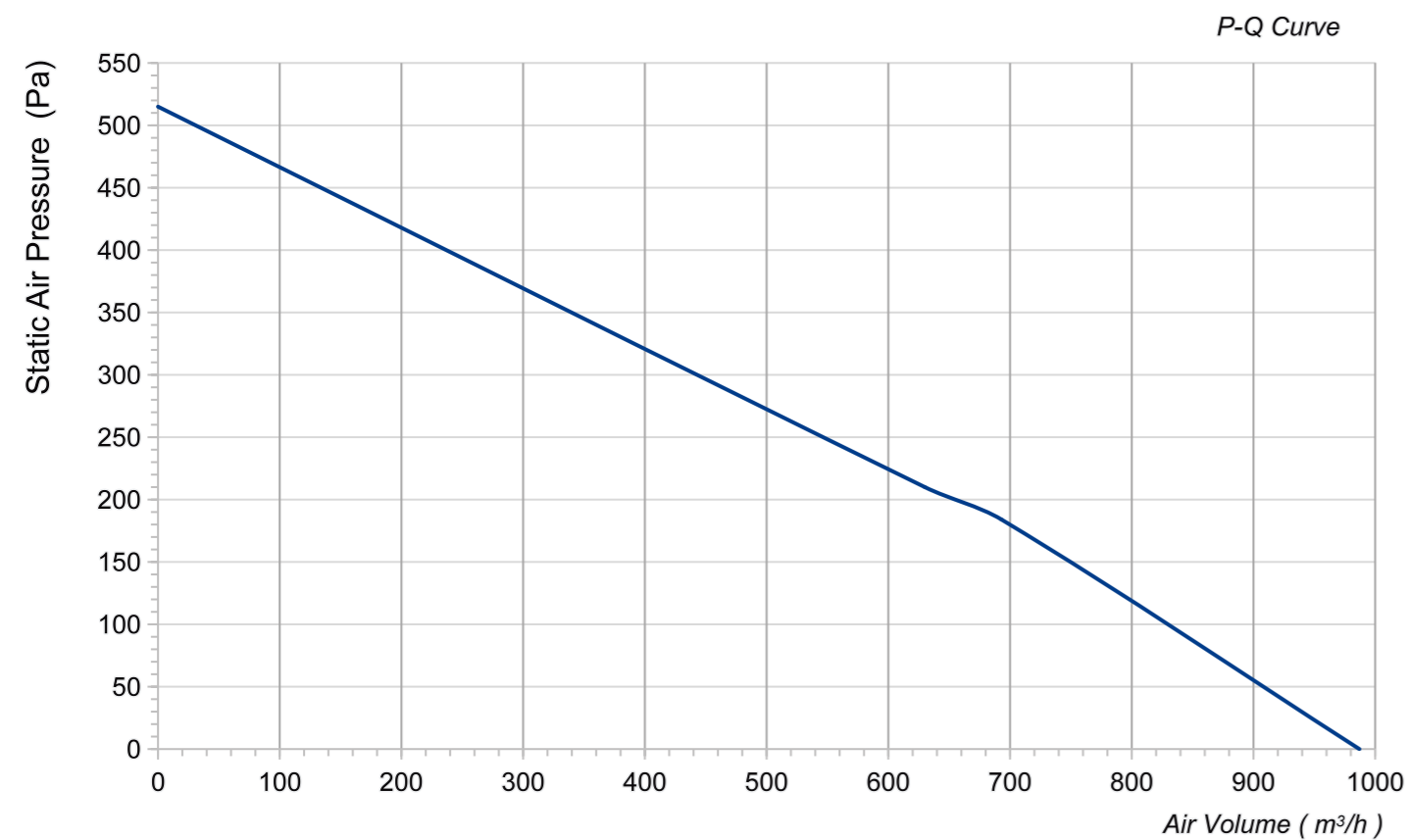
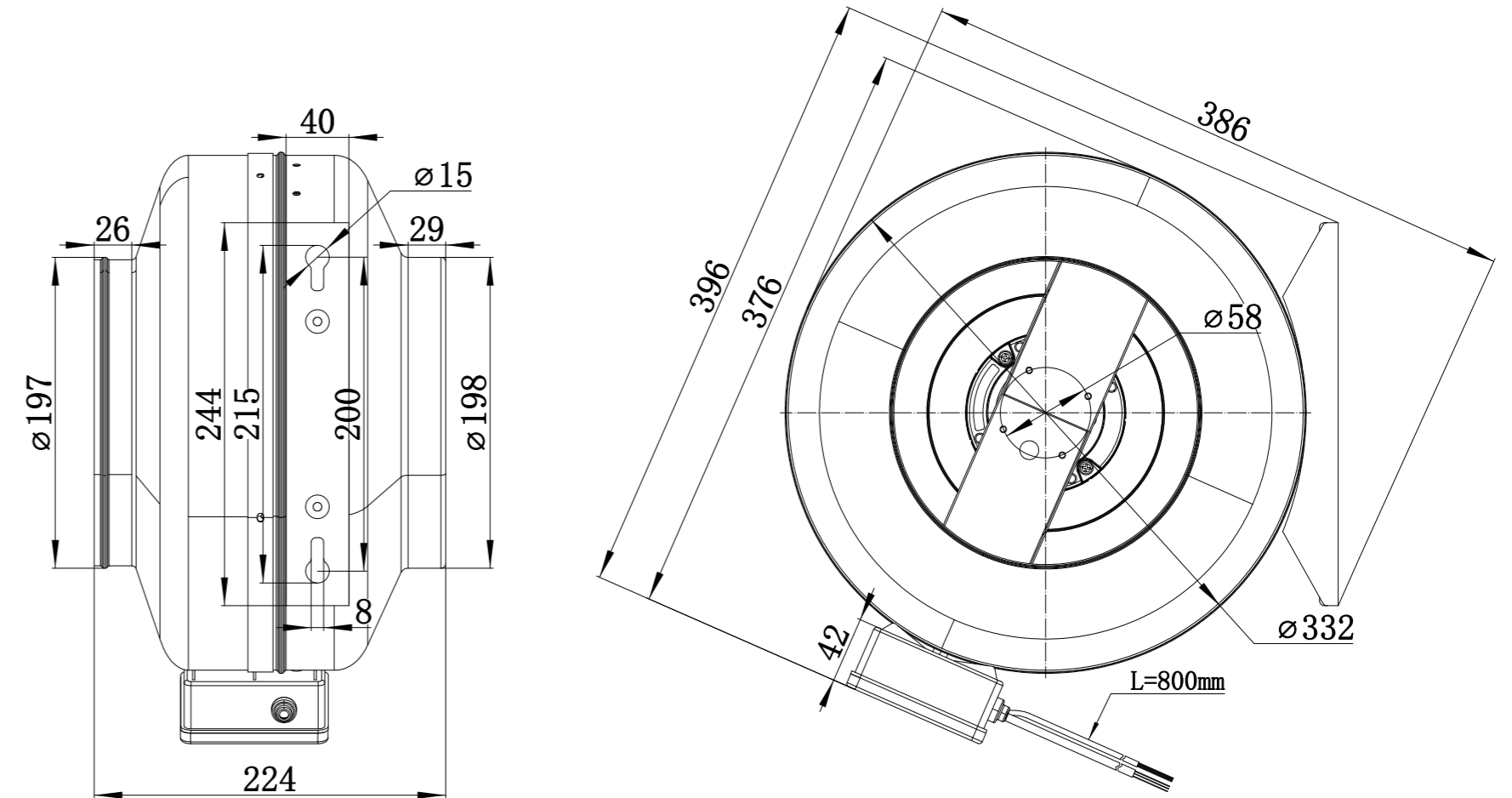
- Impeller Material: Plastic
- Supply Voltage: 230V,50/60Hz
- Mode Of Operation: S1
- Protection Class: IP32
- Insulation Class: F
- Operation Temperature: -25°C ~ +60°C
- Bearing: Maintenance-free ball bearings
- Protection: Blocked rotation, thermal protection, high and low pressure protection



Technical Specifications

Model	Voltage (V)	Frequency (Hz)	Power (W)	Air Flow (m³/h)	Air Pressure (Pa)	Speed (RPM)	Noise [dB(A)]
LWDA-200S-MBN-13	230	50	176	987	515	2540	70

Product Drawing (mm)



LWDA-250 Series

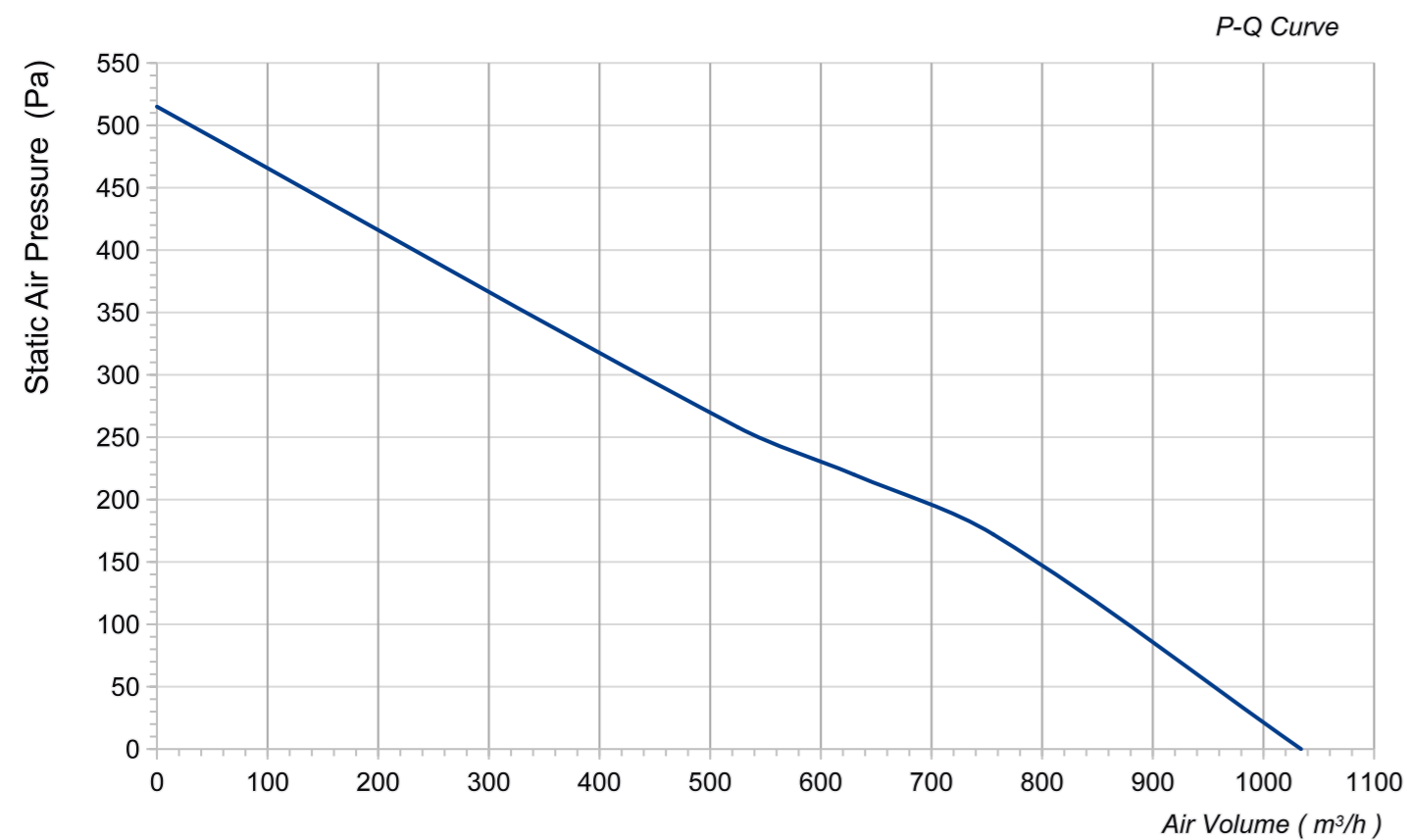
Product Characteristic

- Impeller Material: Plastic
- Supply Voltage: 230V,50/60Hz
- Mode Of Operation: S1
- Protection Class: IP32
- Insulation Class: F
- Operation Temperature: -25℃ ~ +60℃
- Bearing: Maintenance-free ball bearings
- Protection: Blocked rotation, thermal protection, high and low pressure protection

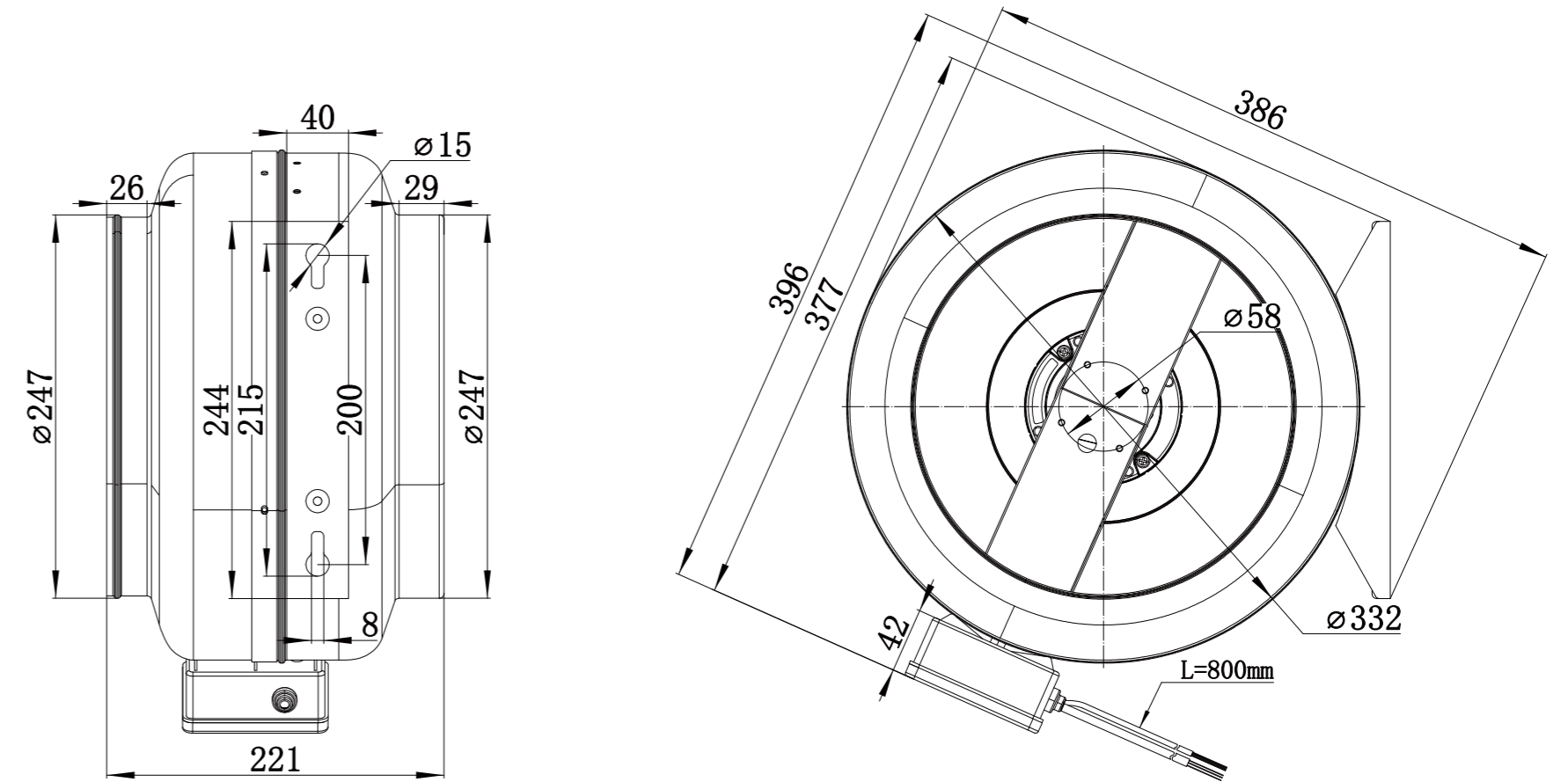


Technical Specifications

Model	Voltage (V)	Frequency (Hz)	Power (W)	Air Flow (m³/h)	Air Pressure (Pa)	Speed (RPM)	Noise [dB(A)]
LWDA-250S-MBN-10	230	50	165	1034	515	2615	71



Product Drawing (mm)



LWDA-315 Series

Product Characteristic

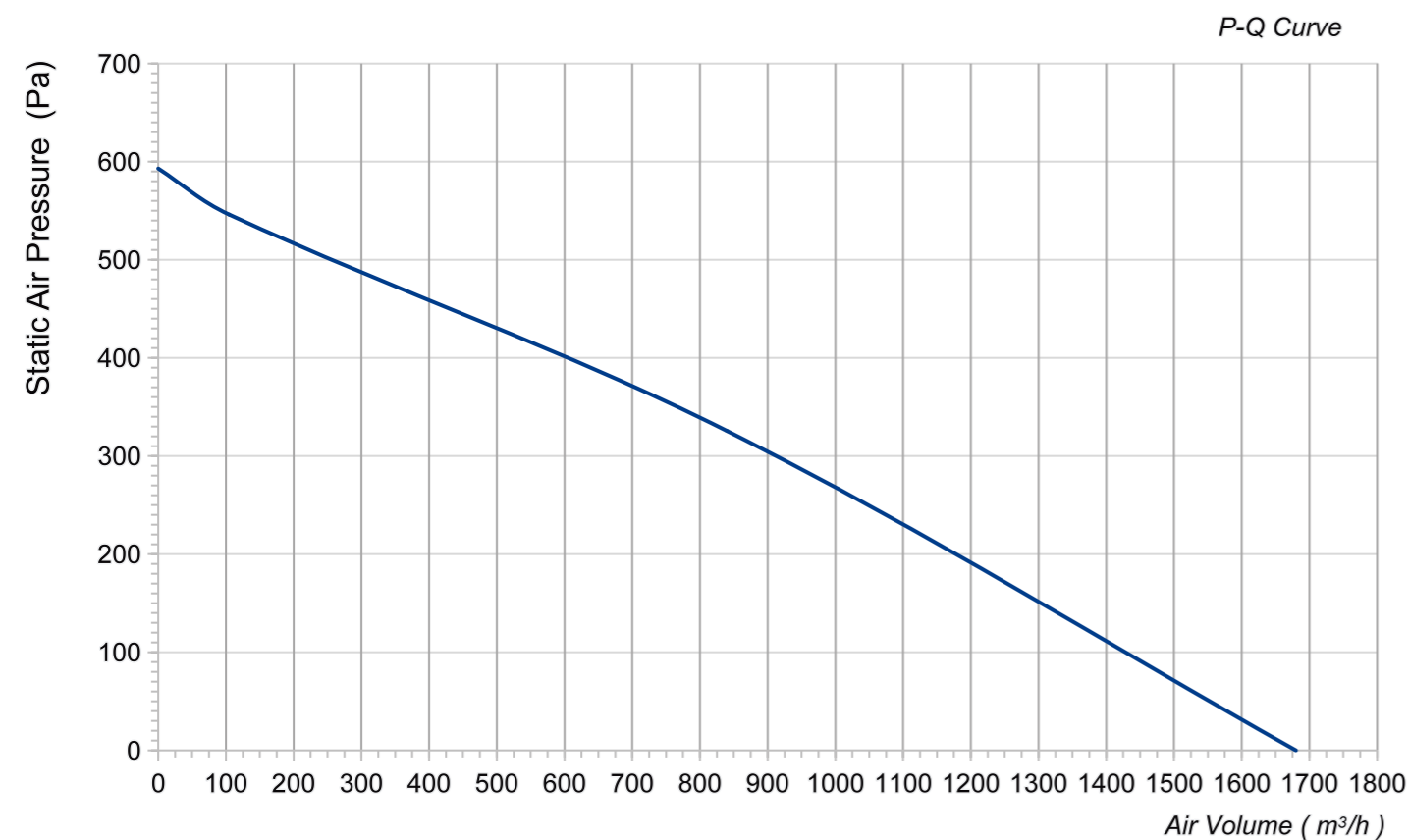
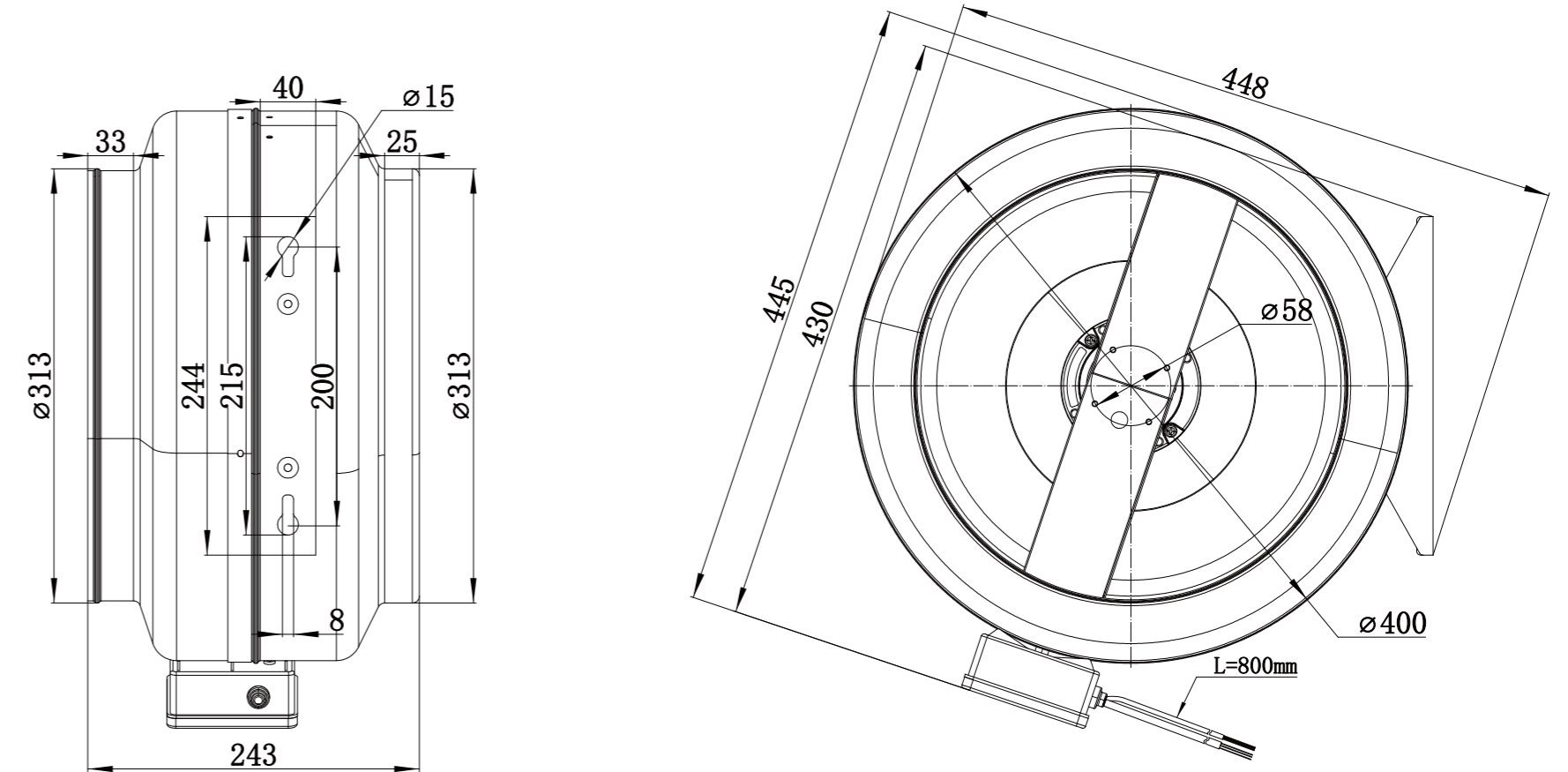
- Impeller Material: Metal
- Supply Voltage: 230V,50/60Hz
- Mode Of Operation: S1
- Protection Class: IP32
- Insulation Class: F
- Operation Temperature: -25°C ~ +60°C
- Bearing: Maintenance-free ball bearings
- Protection: Blocked rotation, thermal protection, high and low pressure protection



Technical Specifications

Model	Voltage (V)	Frequency (Hz)	Power (W)	Air Flow (m³/h)	Air Pressure (Pa)	Speed (RPM)	Noise [dB(A)]
LWDA-315S-MBN-02	230	50	220	1680	593	2520	80

Product Drawing (mm)



EC Circular Duct Fan

- Motor Type:BLEC Motor
- Housing Material:Metal
- Impeller Material:Plastic/Metal
- Size:4inch,5inch,6inch,8inch,10inch,12inch
- Main Applications: Vertical Farming,Home Ventilation
Negative Air Pressure Ward,Hydroponic Grow Tent



LWDE-100 Series

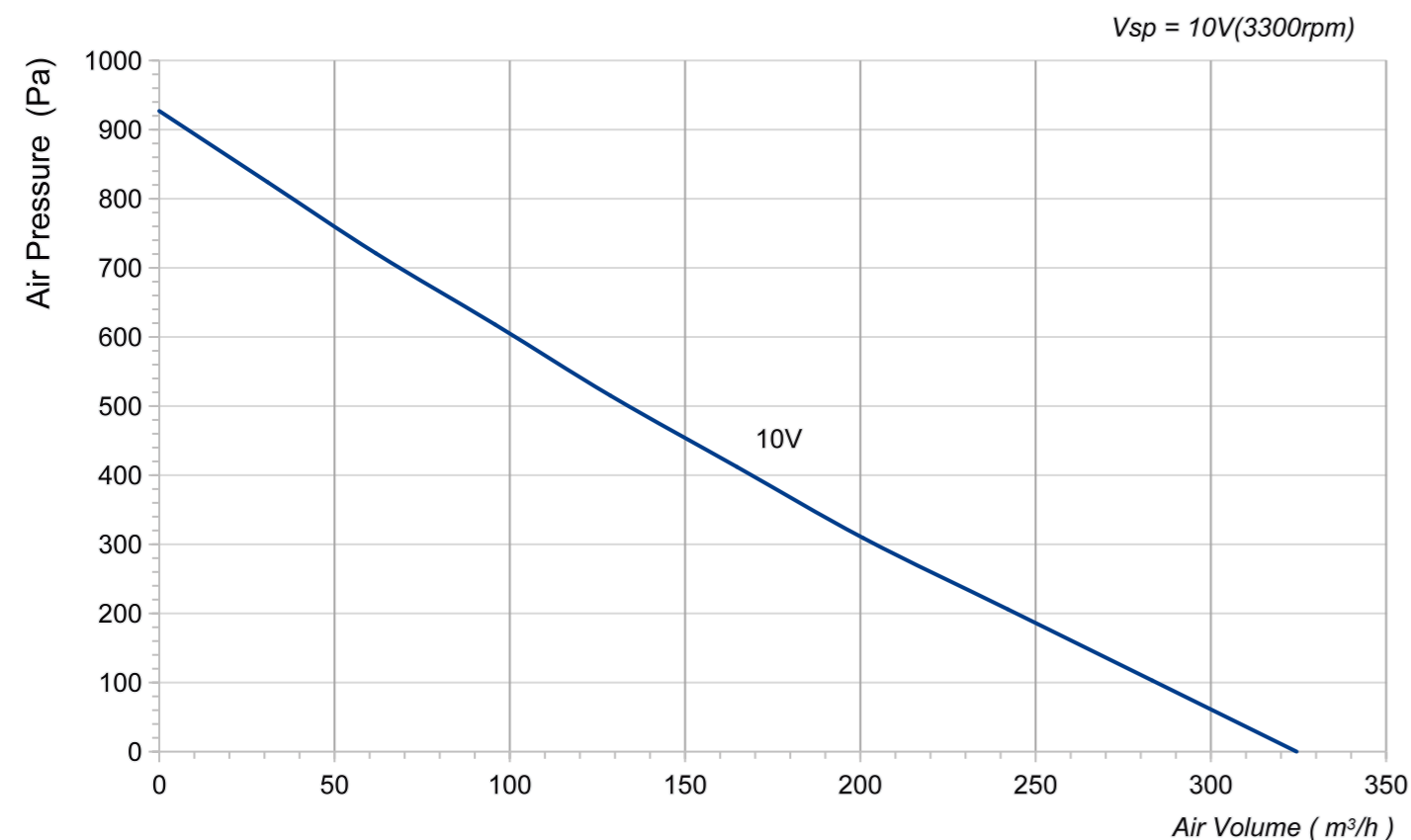
Product Characteristic

- Impeller Material: Plastic
- Supply Voltage: 230V,50/60Hz
- Direction of rotation: Clockwise,seen on rotor
- Mode Of Operation: S1
- Protection Class: IP54
- Insulation Class: B
- Operation Temperature: -25℃ ~ +60℃
- Bearing: Maintenance-free ball bearings
- Protection: Blocked rotation, thermal protection, high and low pressure protection

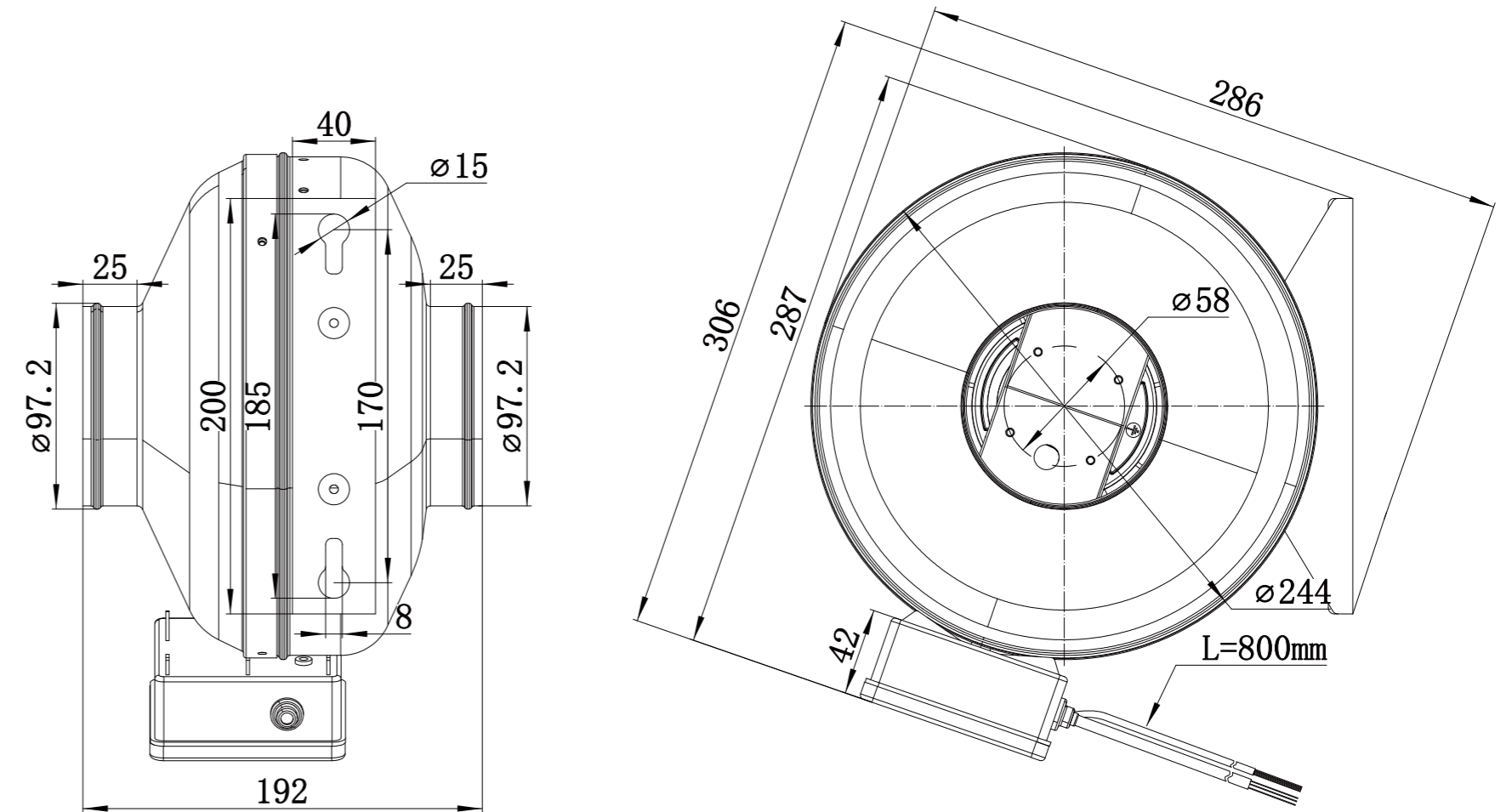


Technical Specifications

Model	Voltage (V)	Input Power (W)	Current (A)	Air Volume (m³/h)	Air Pressure (Pa)	Speed (RPM)	Noise [dB(A)]
LWDE-100S-MBN-10	230	85	0.65	324	927	3300	72



Product Drawing (mm)



LWDE-150 Series

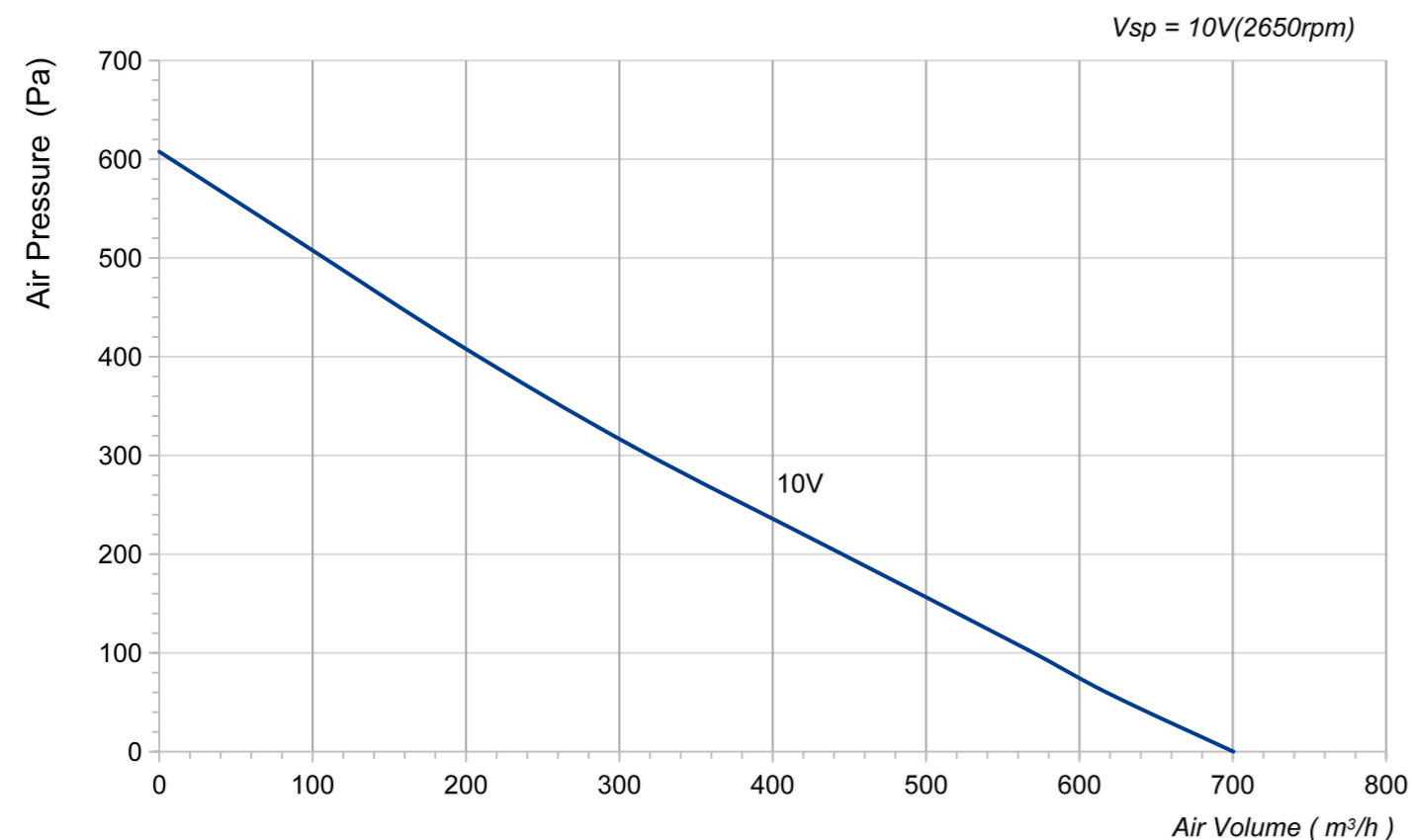
Product Characteristic

- Impeller Material: Plastic
- Supply Voltage: 230V,50/60Hz
- Direction of rotation: Clockwise,seen on rotor
- Mode Of Operation: S1
- Protection Class: IP54
- Insulation Class: B
- Operation Temperature: -25℃ ~ +60℃
- Bearing: Maintenance-free ball bearings
- Protection: Blocked rotation, thermal protection, high and low pressure protection

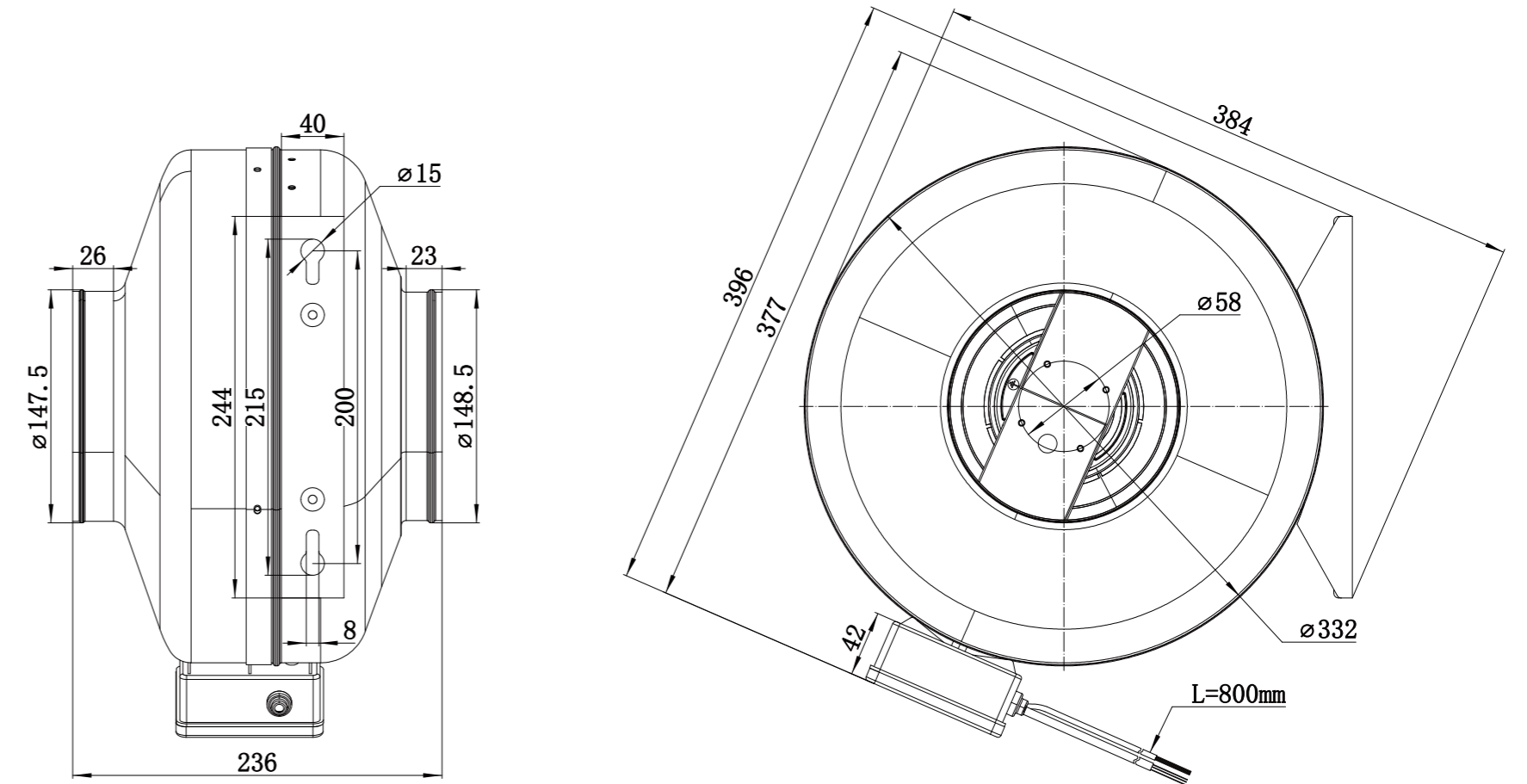


Technical Specifications

Model	Voltage (V)	Input Power (W)	Current (A)	Air Volume (m³/h)	Air Pressure (Pa)	Speed (RPM)	Noise [dB(A)]
LWDE-150S-MBN-11	230	85	0.65	700	608	2650	66



Product Drawing (mm)



LWDE-160 Series

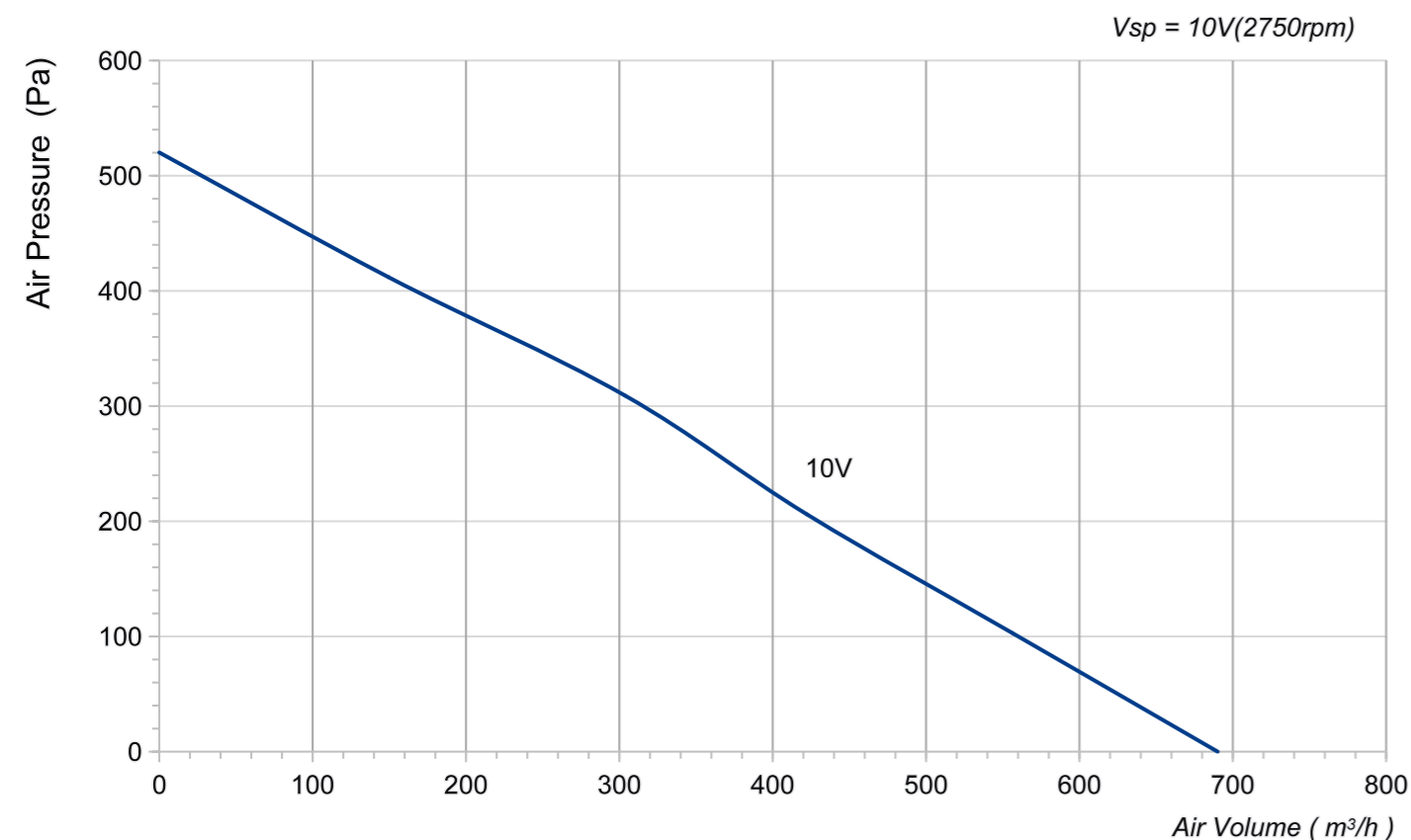
Product Characteristic

- Impeller Material: Plastic
- Supply Voltage: 230V,50/60Hz
- Direction of rotation: Clockwise,seen on rotor
- Mode Of Operation: S1
- Protection Class: IP54
- Insulation Class: B
- Operation Temperature: -25℃ ~ +60℃
- Bearing: Maintenance-free ball bearings
- Protection: Blocked rotation, thermal protection, high and low pressure protection

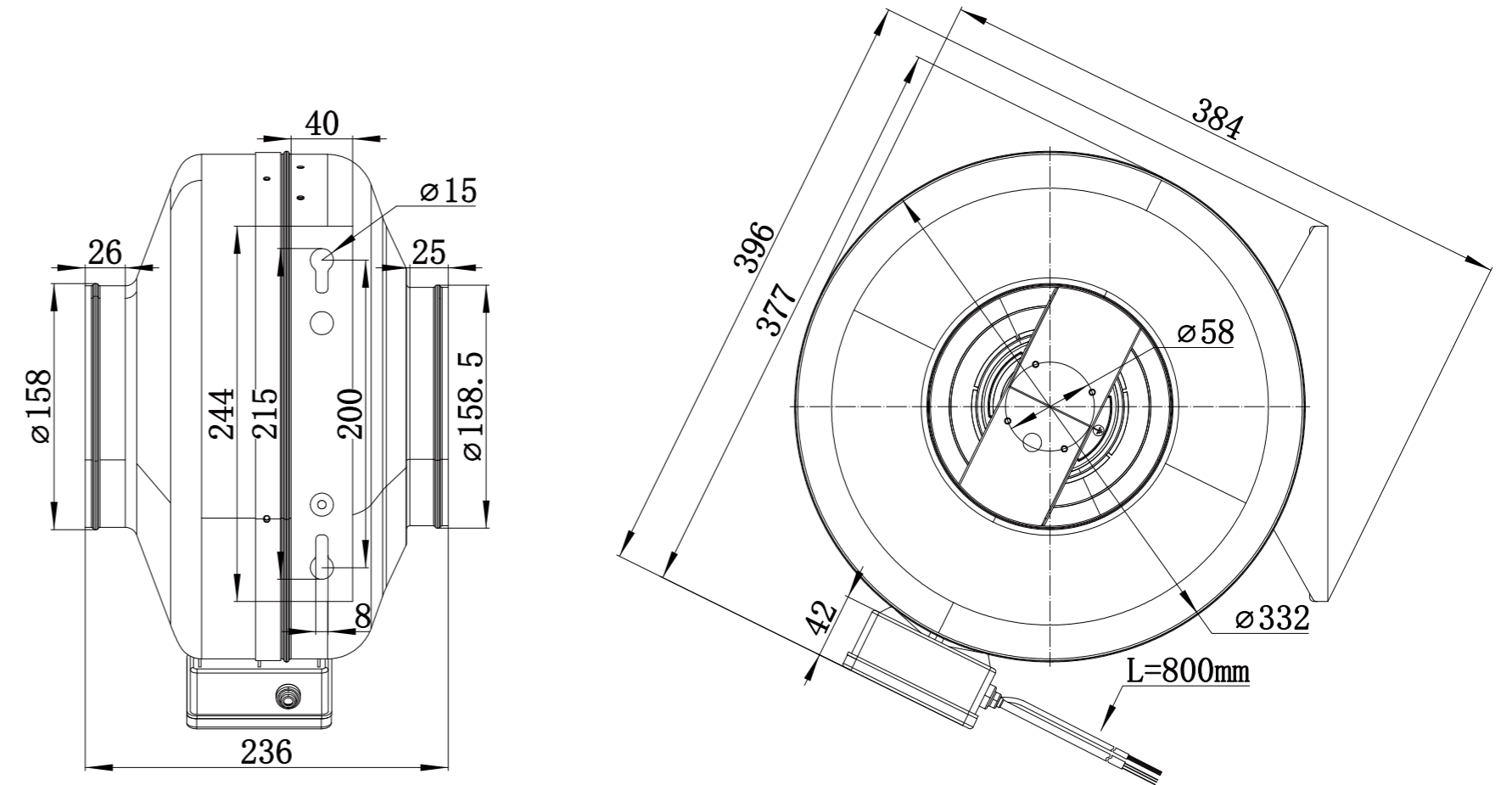


Technical Specifications

Model	Voltage (V)	Input Power (W)	Current (A)	Air Volume (m³/h)	Air Pressure (Pa)	Speed (RPM)	Noise [dB(A)]
LWDE-160S-MBN-01	230	85	0.65	690	520	2750	68



Product Drawing (mm)



LWDE-200 Series

Product Characteristic

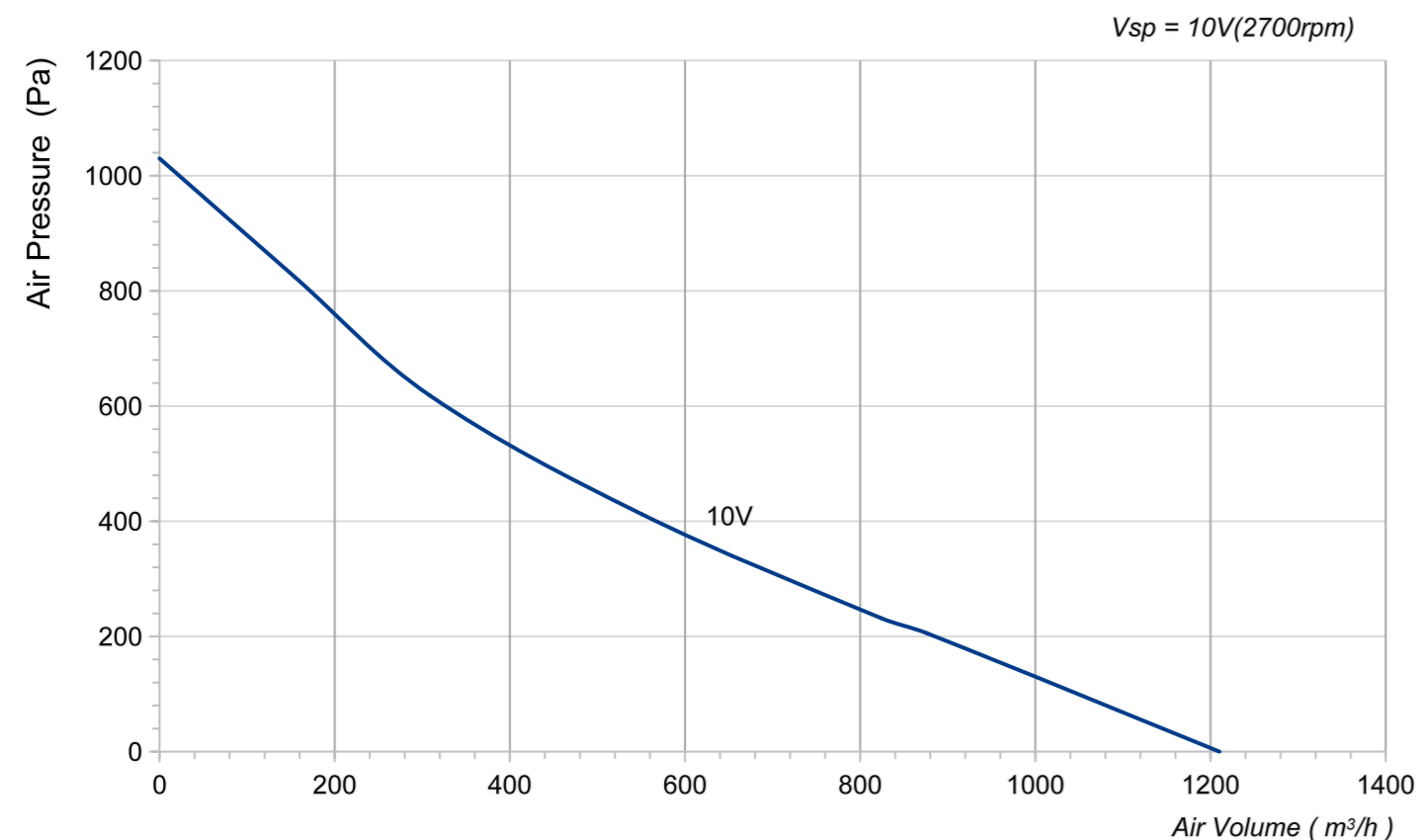
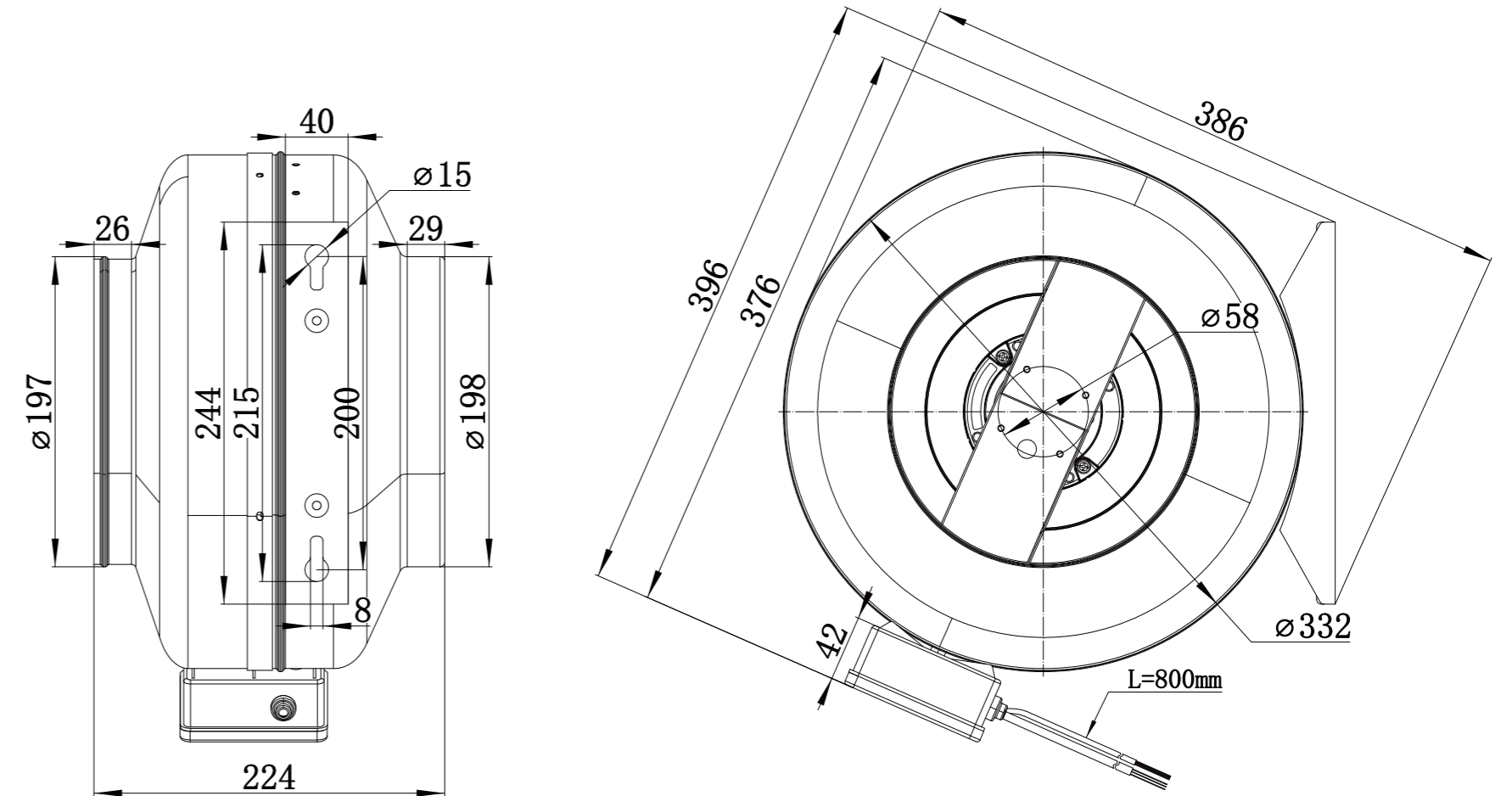
- Impeller Material: Plastic
- Supply Voltage: 230V,50/60Hz
- Direction of rotation: Clockwise,seen on rotor
- Mode Of Operation: S1
- Protection Class: IP54
- Insulation Class: B
- Operation Temperature: -25℃ ~ +60℃
- Bearing: Maintenance-free ball bearings
- Protection: Blocked rotation, thermal protection, high and low pressure protection



Technical Specifications

Model	Voltage (V)	Input Power (W)	Current (A)	Air Volume (m³/h)	Air Pressure (Pa)	Speed (RPM)	Noise [dB(A)]
LWDE-200S-MBN-09	230	170	1.1	1210	1030	2700	71

Product Drawing (mm)



LWDE-250 Series

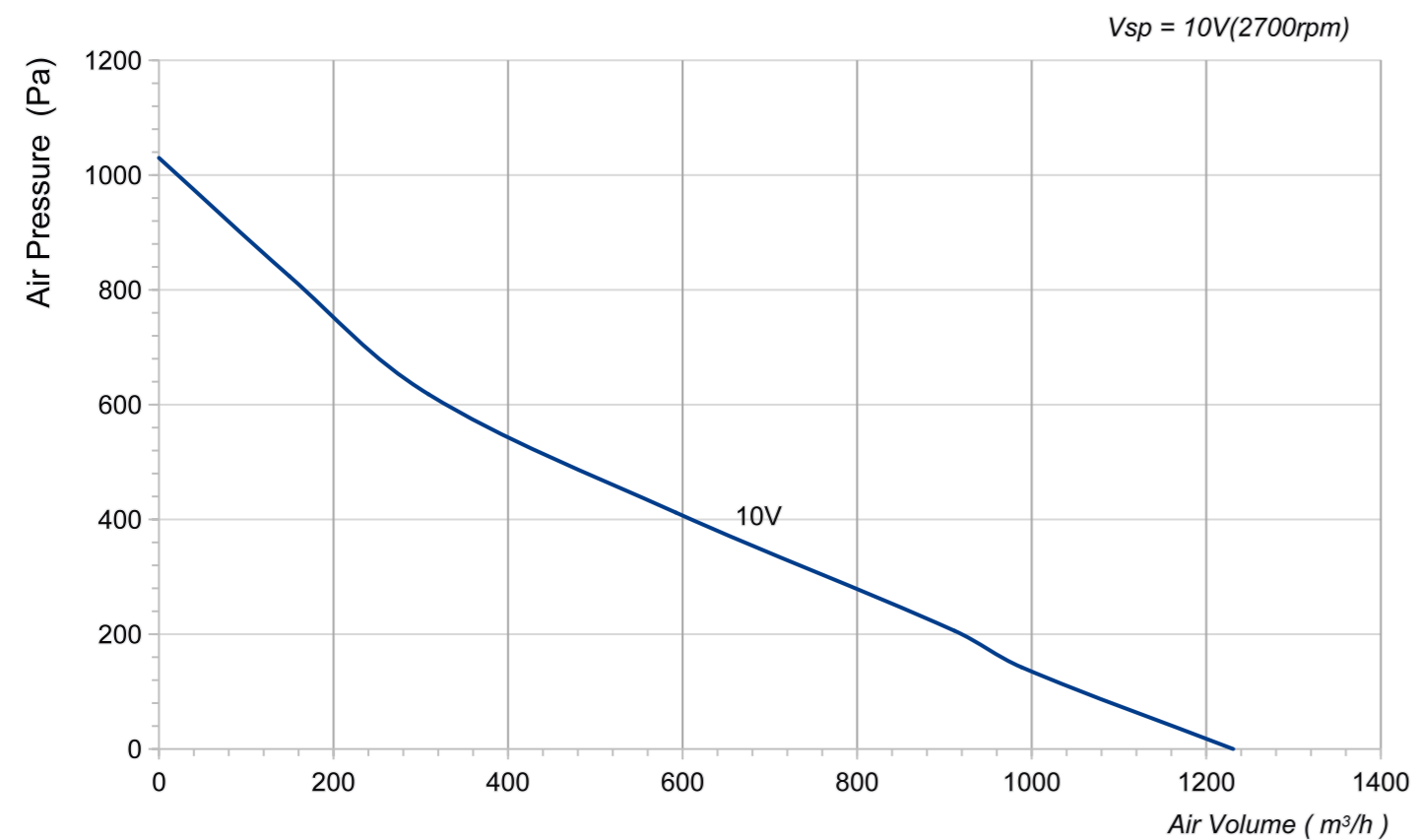
Product Characteristic

- Impeller Material: Plastic
- Supply Voltage: 230V,50/60Hz
- Direction of rotation: Clockwise,seen on rotor
- Mode Of Operation: S1
- Protection Class: IP54
- Insulation Class: B
- Operation Temperature: -25℃ ~ +60℃
- Bearing: Maintenance-free ball bearings
- Protection: Blocked rotation, thermal protection, high and low pressure protection

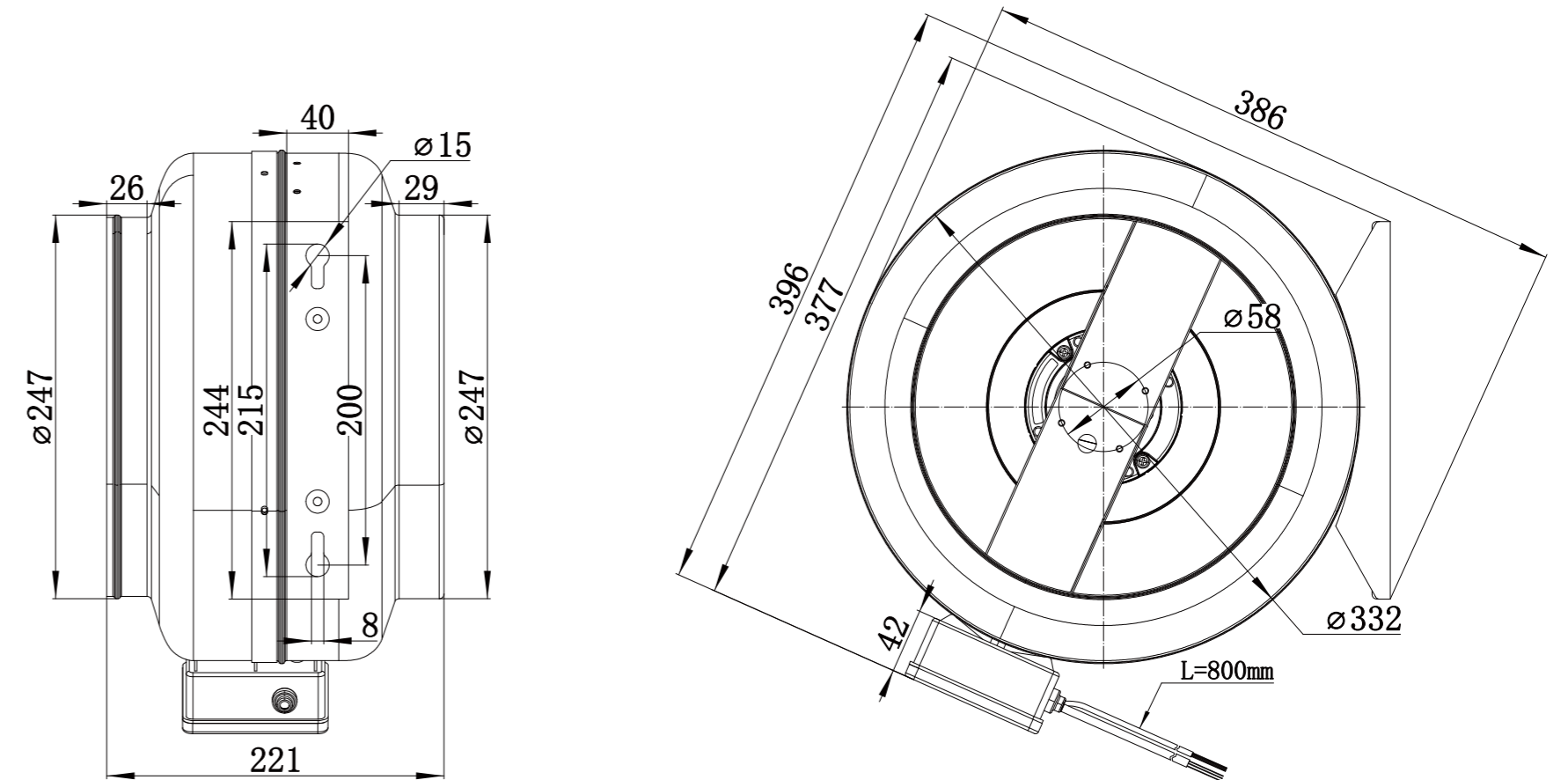


Technical Specifications

Model	Voltage (V)	Input Power (W)	Current (A)	Air Volume (m³/h)	Air Pressure (Pa)	Speed (RPM)	Noise [dB(A)]
LWDE-250S-MBN-07	230	170	1.1	1231	1030	2700	71



Product Drawing (mm)



LWDE-315 Series

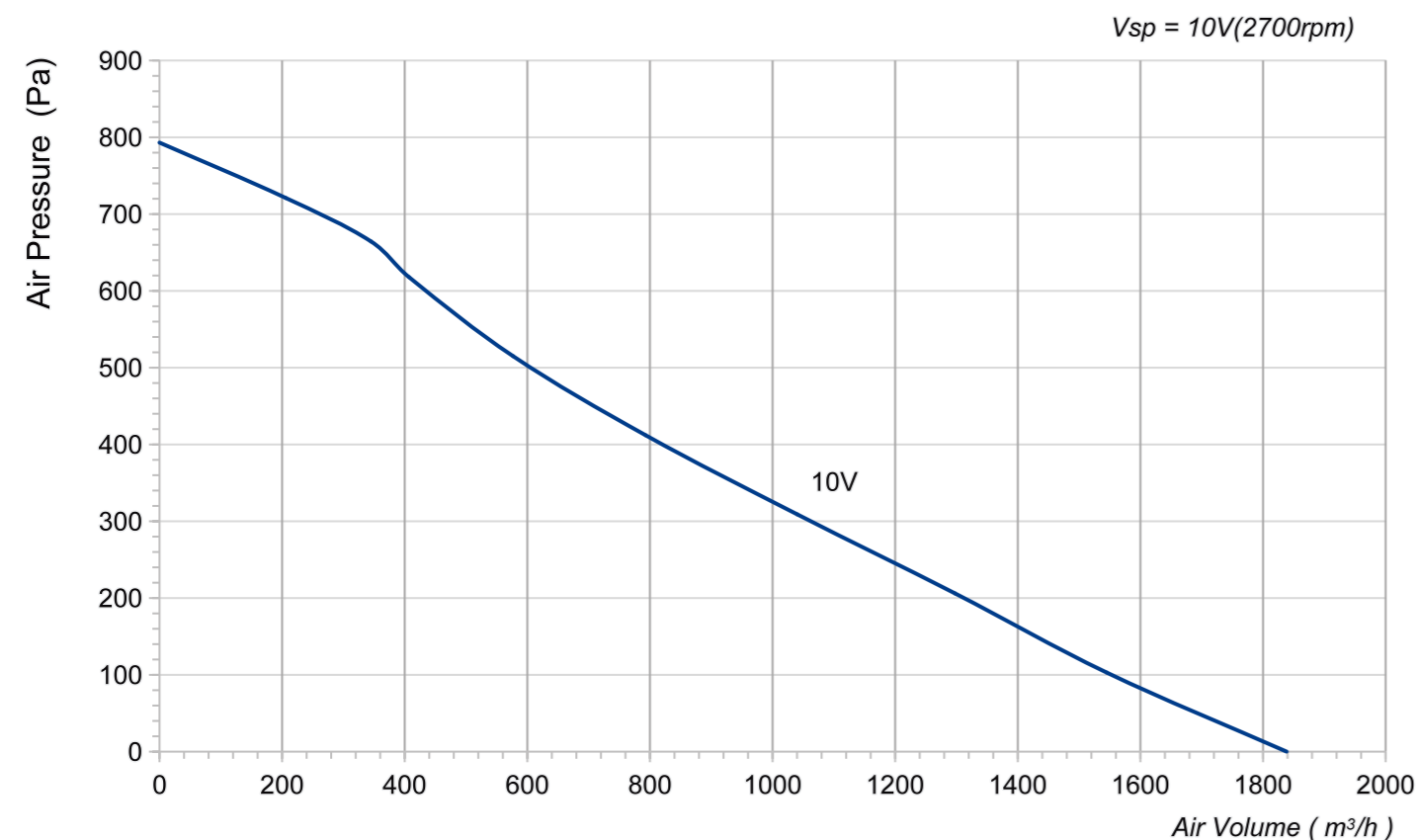
Product Characteristic

- Impeller Material: Metal
- Supply Voltage: 230V,50/60Hz
- Direction of rotation: Clockwise,seen on rotor
- Mode Of Operation: S1
- Protection Class: IP54
- Insulation Class: B
- Operation Temperature: -25℃ ~ +60℃
- Bearing: Maintenance-free ball bearings
- Protection: Blocked rotation, thermal protection, high and low pressure protection

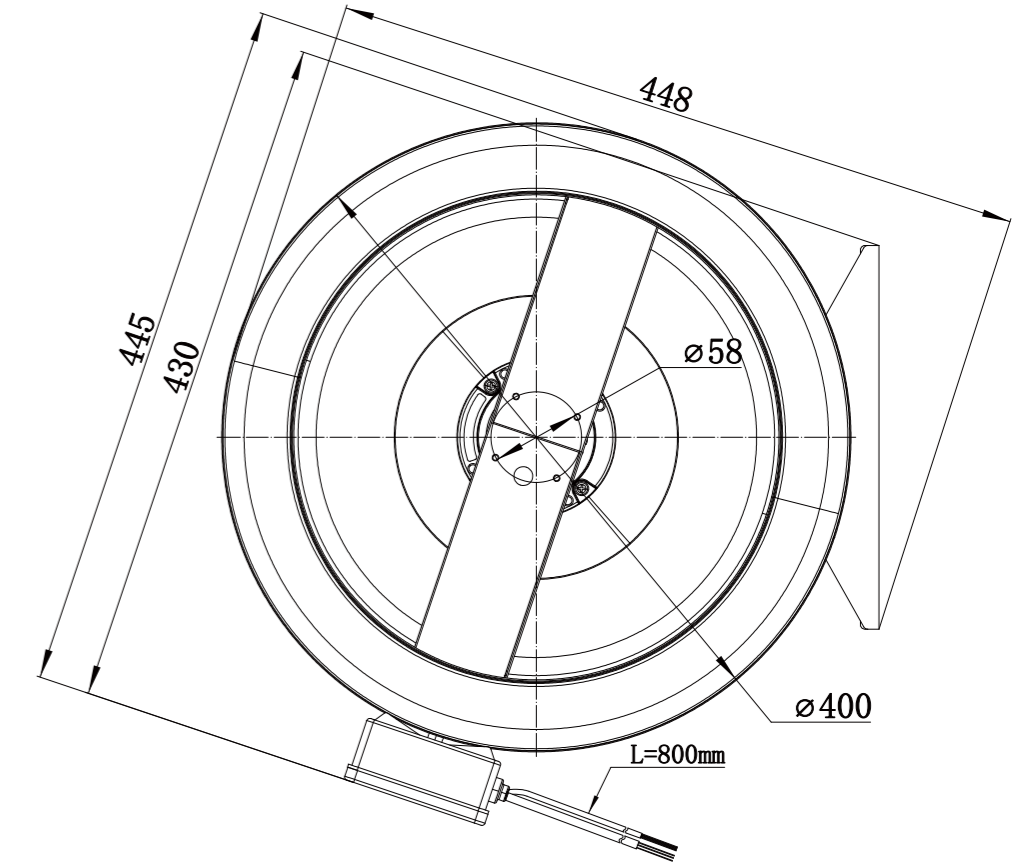
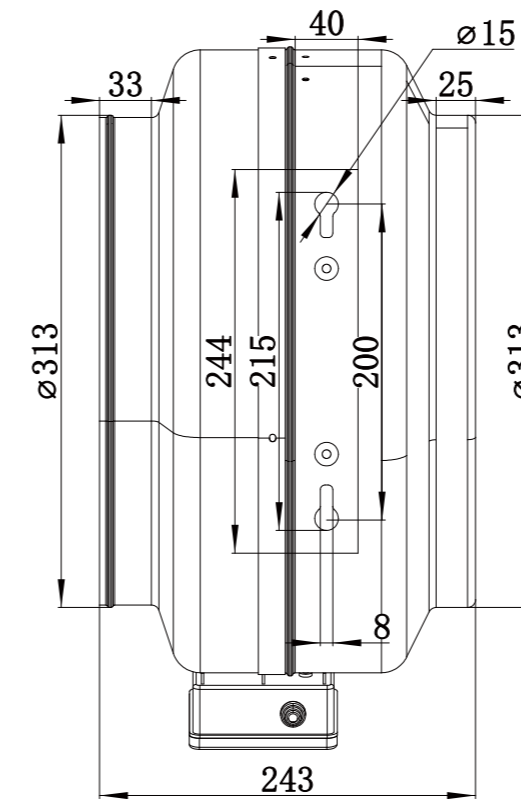


Technical Specifications

Model	Voltage (V)	Input Power (W)	Current (A)	Air Volume (m³/h)	Air Pressure (Pa)	Speed (RPM)	Noise [dB(A)]
LWDE-315S-MBN-01	230	220	1.4	1839	793	2700	77



Product Drawing (mm)



DC Circular Duct Fan

- Motor Type:BLDC Motor
- Housing Material:Metal
- Impeller Material:Plastic
- Size:4inch,5inch,6inch,8inch
- Main Applications: Vertical Farming,Home Ventilation
Negative Air Pressure Ward,Hydroponic Grow Tent



LWDD-100 Series

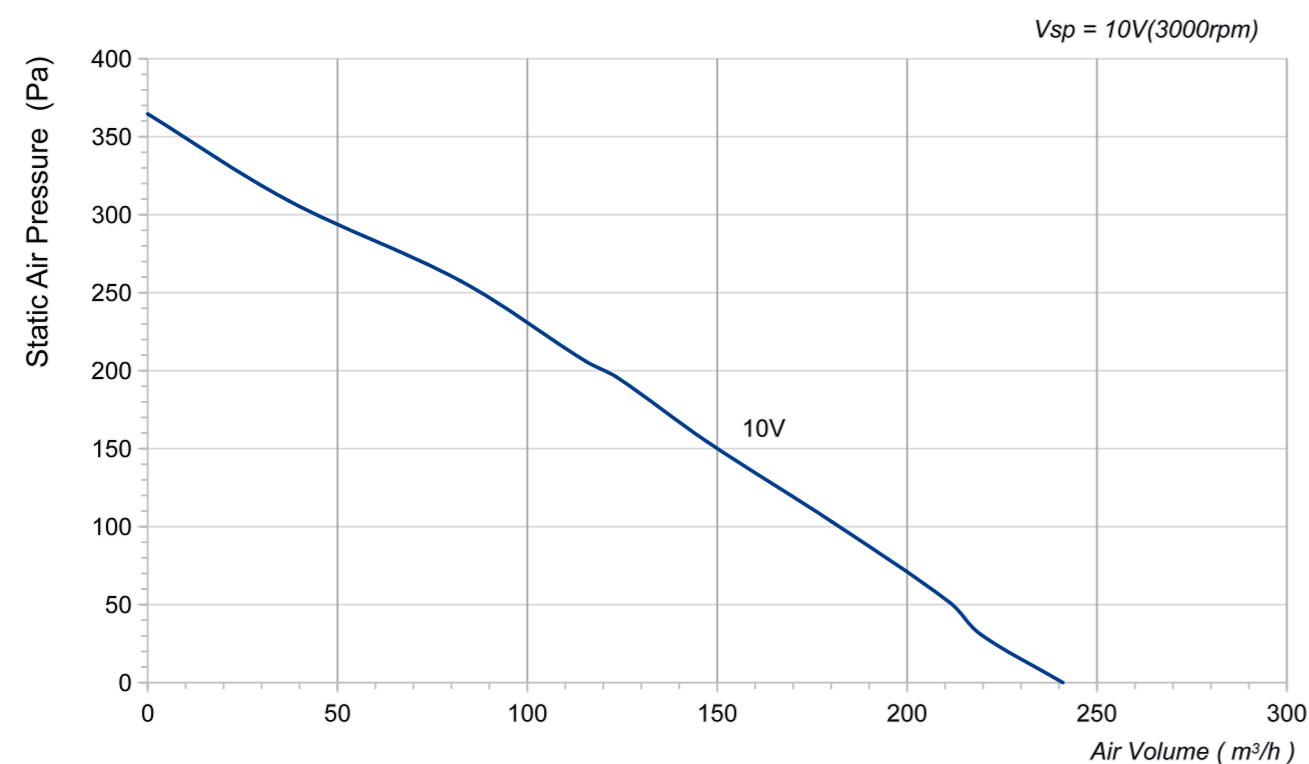
Product Characteristic

- Impeller material: Plastic
- Housing material: Metal
- Supply Voltage: 12/24/48
- Mode Of Operation: S1
- Protection Class: IP44-55
- Insulation Class: B
- Operation Temperature: -25°C ~ +60°C
- Technical features: 0-10vdc/pwm speed control, Tacho output
- Motor protection: Polarity Protection; Soft start; Over current protection; Overvoltage Protection

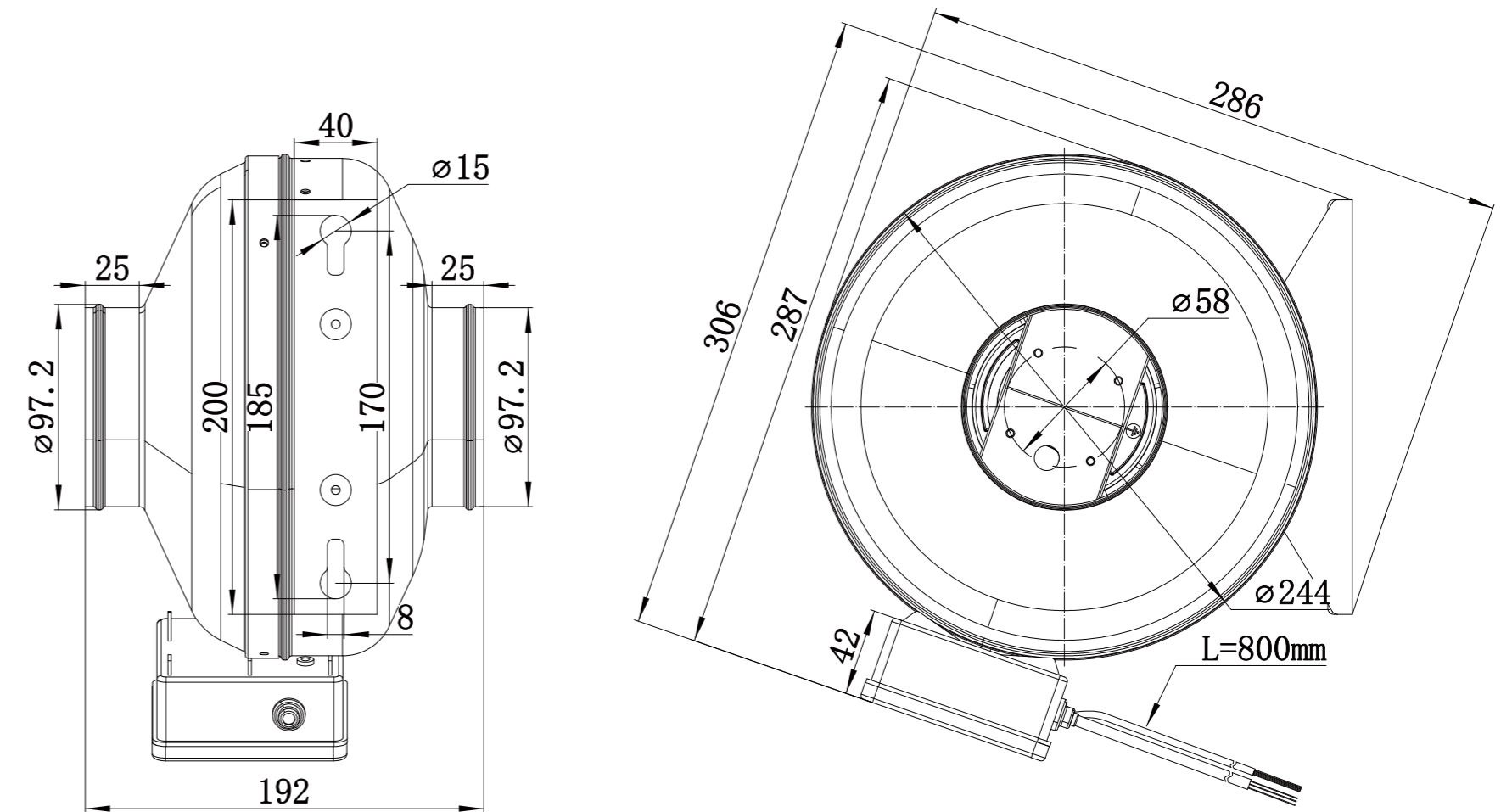


Technical Specifications

Model	Voltage (V)	Input Power (W)	Current (A)	Air Volume (m³/h)	Air Pressure (Pa)	Speed (RPM)	Noise [dB(A)]
LWDD-100L-MBN-11	12	30	2.65	241	365	3000	62
LWDD-100M-MBN-12	24	30	1.32	241	365	3000	62
LWDD-100H-MBN-13	48	30	0.67	241	365	3000	62



Product Drawing (mm)



LWDD-125 Series

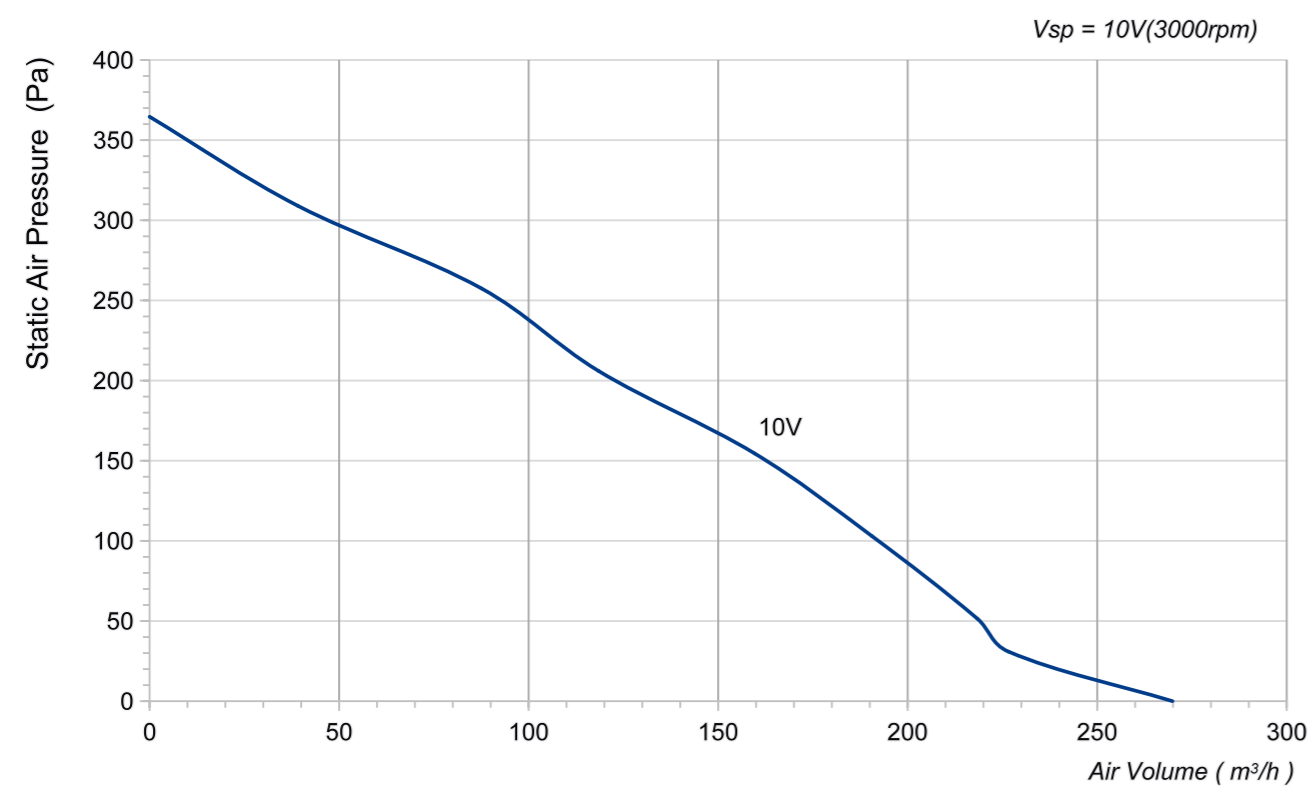
Product Characteristic

- Impeller material: Plastic
- Housing material: Metal
- Supply Voltage: 12/24/48
- Mode Of Operation: S1
- Protection Class: IP44-55
- Insulation Class: B
- Operation Temperature: -25°C ~ +60°C
- Technical features: 0-10vdc/pwm speed control, Tacho output
- Motor protection: Polarity Protection; Soft start; Over current protection; Overvoltage Protection

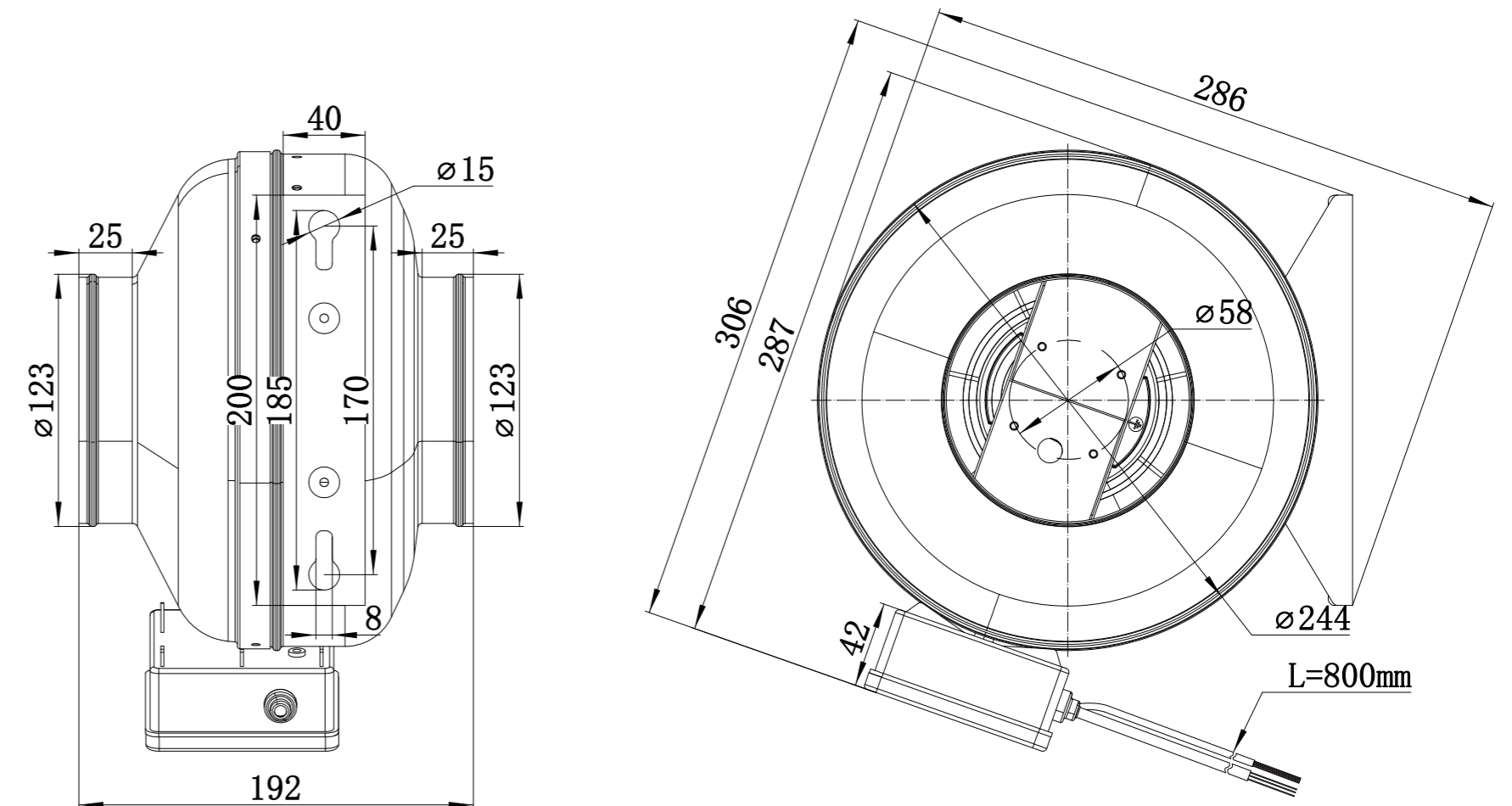


Technical Specifications

Model	Voltage (V)	Input Power (W)	Current (A)	Air Volume (m³/h)	Air Pressure (Pa)	Speed (RPM)	Noise [dB(A)]
LWDD-125L-MBN-07	12	32	2.7	270	365	3000	62
LWDD-125M-MBN-08	24	32	1.35	270	365	3000	62
LWDD-125H-MBN-09	48	32	0.7	270	365	3000	62



Product Drawing (mm)



LWDD-160 Series

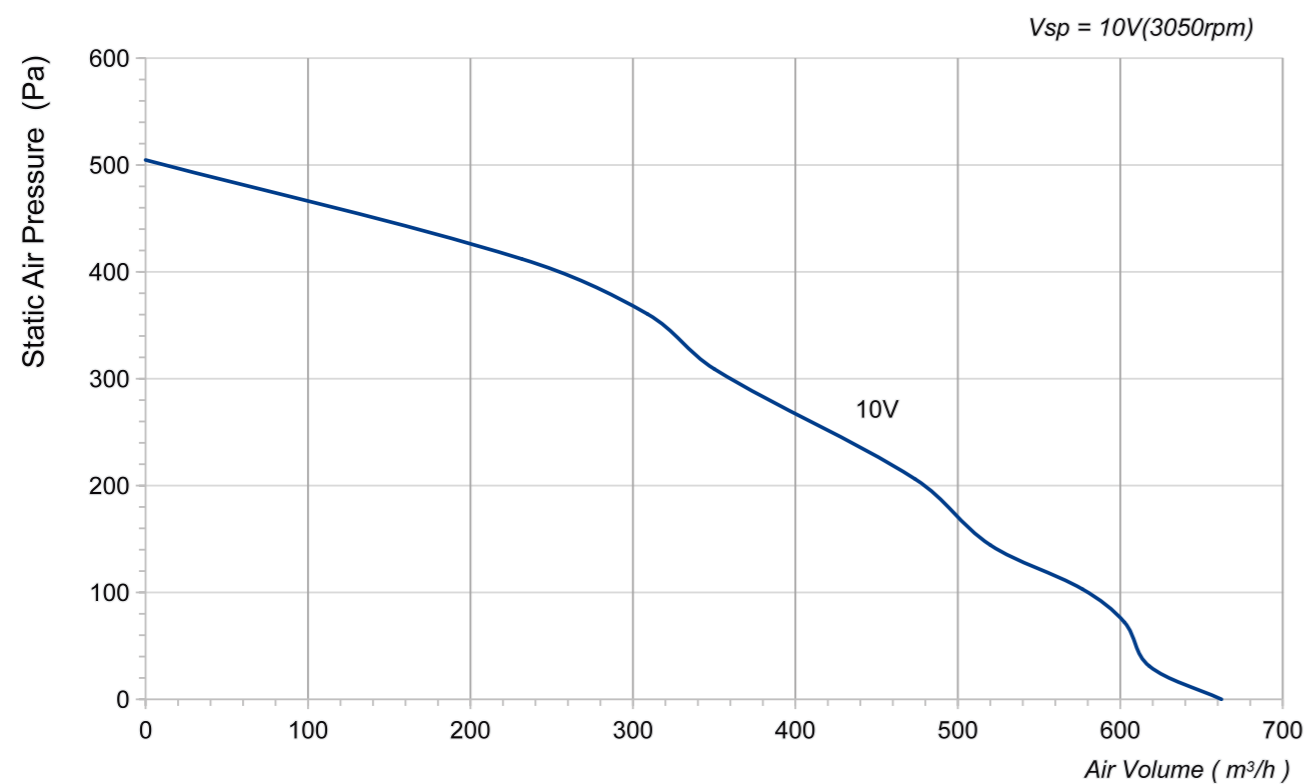
Product Characteristic

- Impeller material: Plastic
- Housing material: Metal
- Supply Voltage: 24/48
- Mode Of Operation: S1
- Protection Class: IP44
- Insulation Class: B
- Operation Temperature: -25°C ~ +60°C
- Technical features: 0-10vdc/pwm speed control, Tacho output
- Motor protection: Polarity Protection; Soft start; Over current protection; Overvoltage Protection

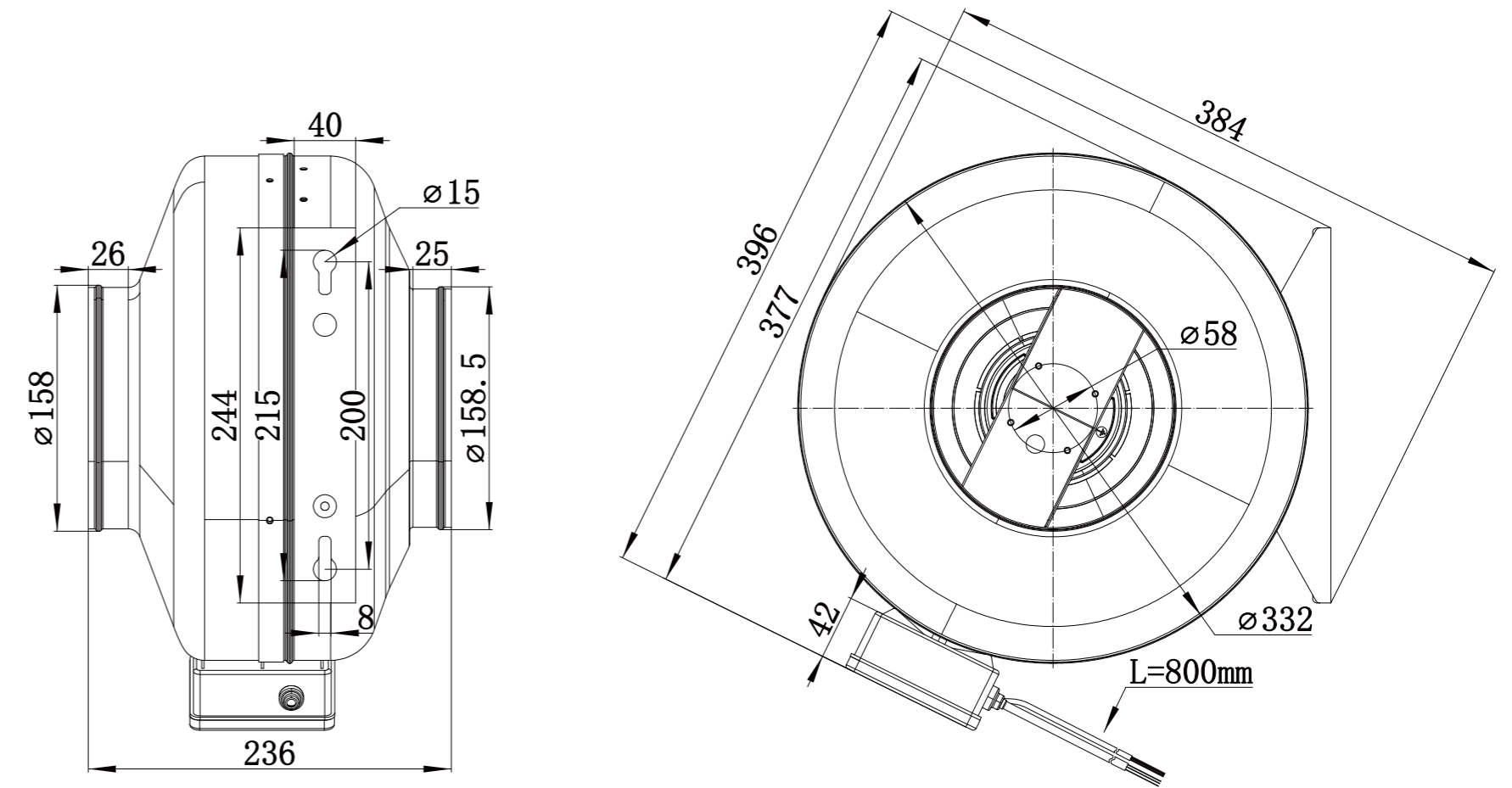


Technical Specifications

Model	Voltage (V)	Input Power (W)	Current (A)	Air Volume (m³/h)	Air Pressure (Pa)	Speed (RPM)	Noise [dB(A)]
LWDD-160M-MBN-02	24	100	4.2	662	505	3050	72
LWDD-160H-MBN-03	48	100	2.1	662	505	3050	72



Product Drawing (mm)



LWDD-200 Series

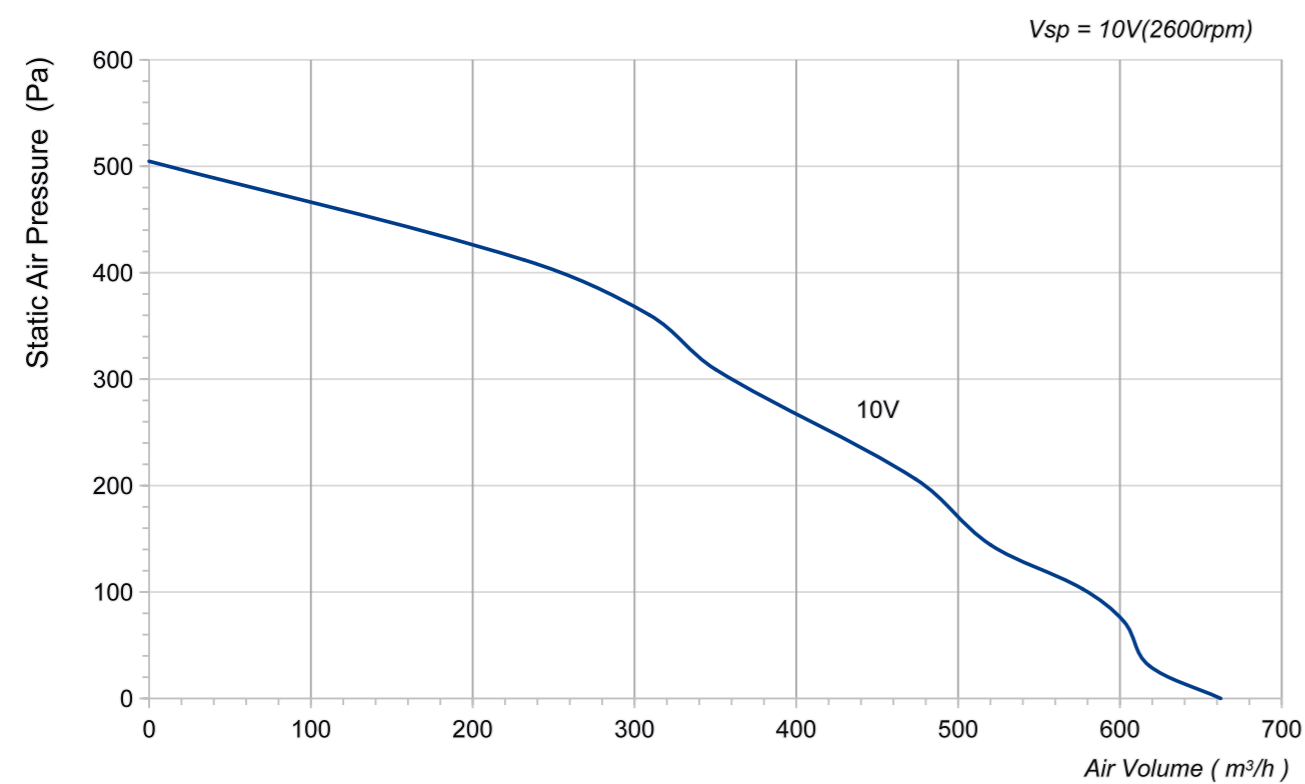
Product Characteristic

- Impeller material: Plastic
- Housing material: Metal
- Supply Voltage: 12/24/48
- Mode Of Operation: S1
- Protection Class: IP44
- Insulation Class: B
- Operation Temperature: -25 °C ~ +60 °C
- Technical features: 0-10vdc/pwm speed control, Tacho output
- Motor protection: Polarity Protection; Soft start; Over current protection; Overvoltage Protection

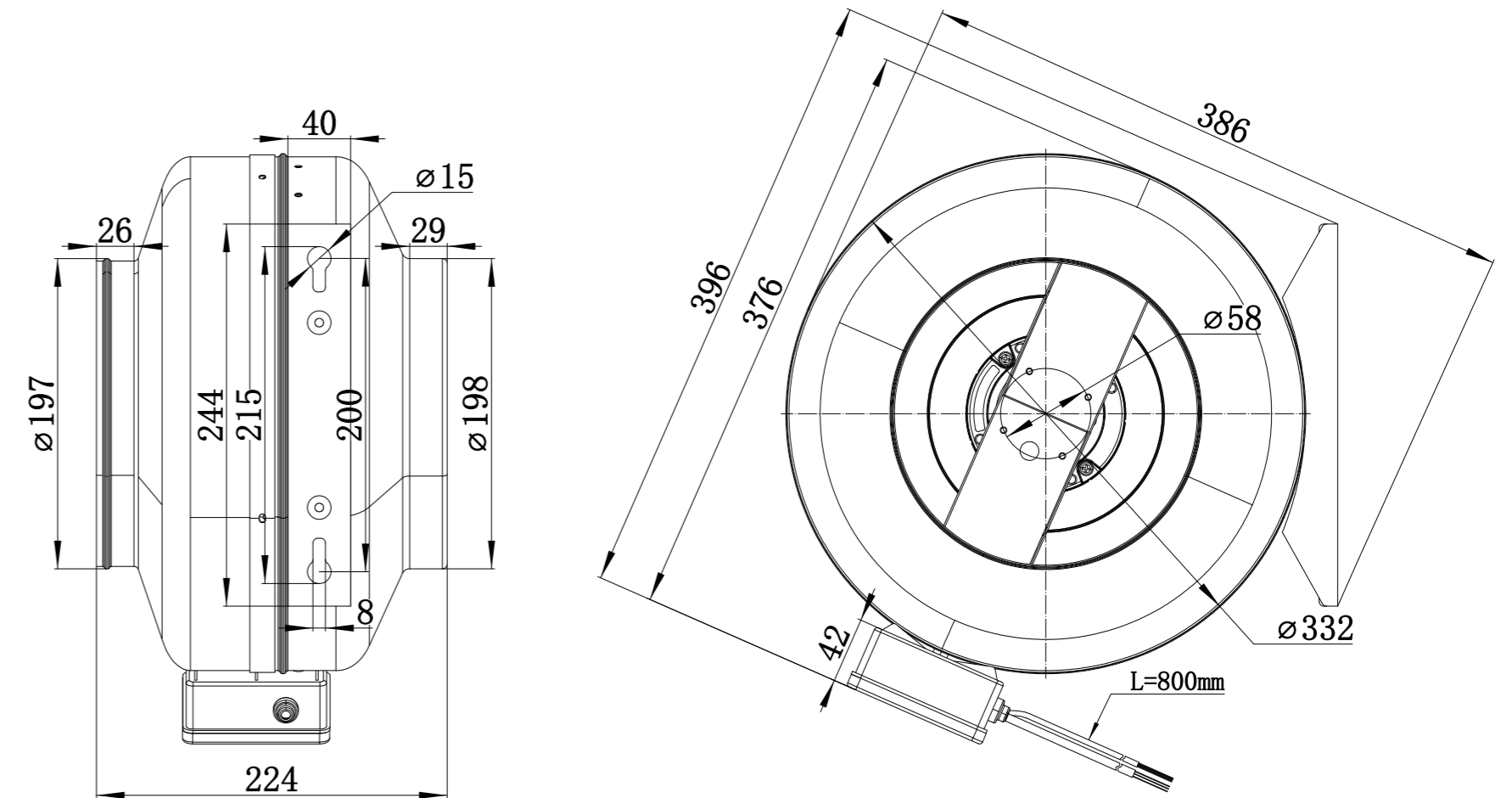


Technical Specifications

Model	Voltage (V)	Input Power (W)	Current (A)	Air Volume (m³/h)	Air Pressure (Pa)	Speed (RPM)	Noise [dB(A)]
LWDD-200L-MBN-10	12	60	5	662	505	2600	67
LWDD-200M-MBN-11	24	60	2.5	662	505	2600	67
LWDD-200H-MBN-12	48	60	1.2	662	505	2600	67



Product Drawing (mm)



LWDD-250 Series

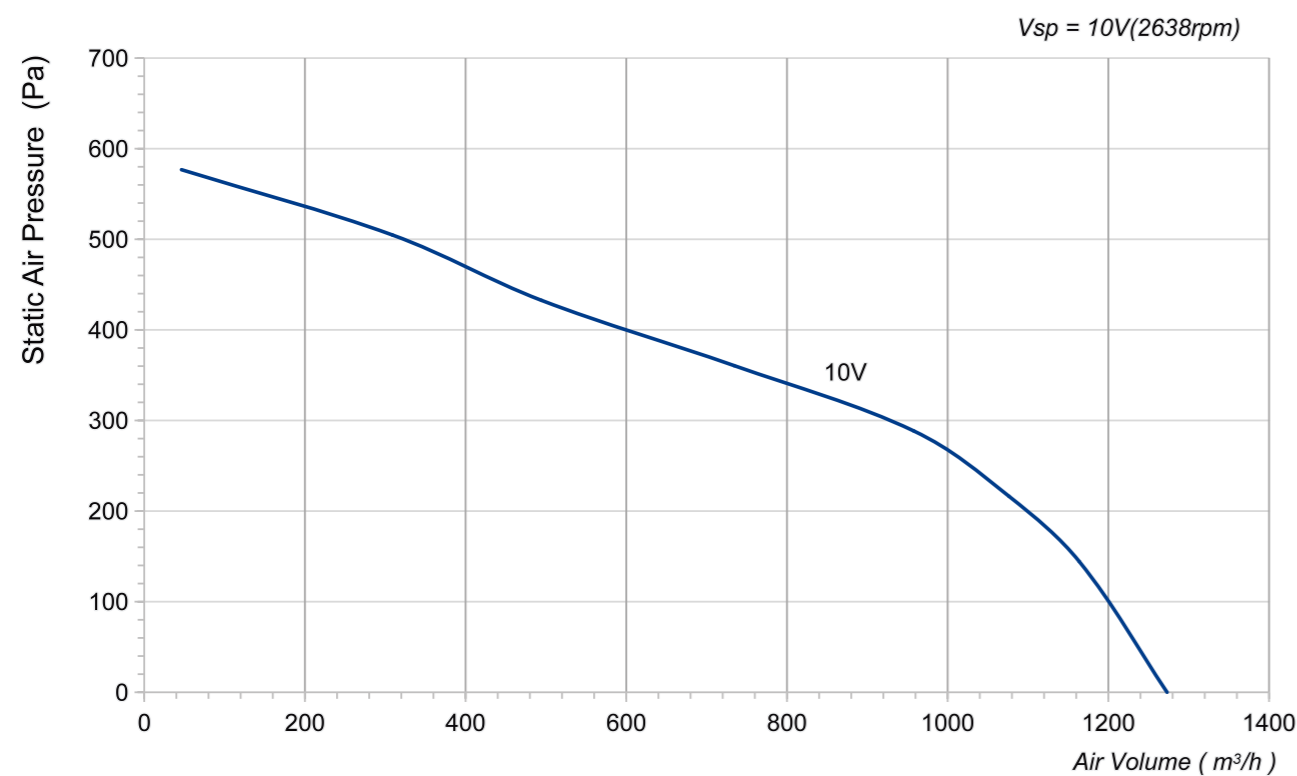
Product Characteristic

- Impeller material: Plastic
- Housing material: Metal
- Supply Voltage: 24/48
- Mode Of Operation: S1
- Protection Class: IP44
- Insulation Class: B
- Operation Temperature: -25 °C ~ +60 °C
- Technical features: 0-10vdc/pwm speed control, Tacho output
- Motor protection: Polarity Protection; Soft start; Over current protection; Overvoltage Protection



Technical Specifications

Model	Voltage (V)	Input Power (W)	Current (A)	Air Volume (m³/h)	Air Pressure (Pa)	Speed (RPM)	Noise [dB(A)]
LWDD-250M-MBN-08	24	130	5	1236	577	2638	72
LWDD-250H-MBN-09	48	130	2.5	1236	577	2638	72



Product Drawing (mm)

