

AC Super Silent Duct Fans

- Mix type of impeller with high efficiency
- The fan is compact, so it is easy to installation and repair
- It is designed for direct connection in line with standard diameter circular ducting
- AC type is available



LWDA-100(4") Series

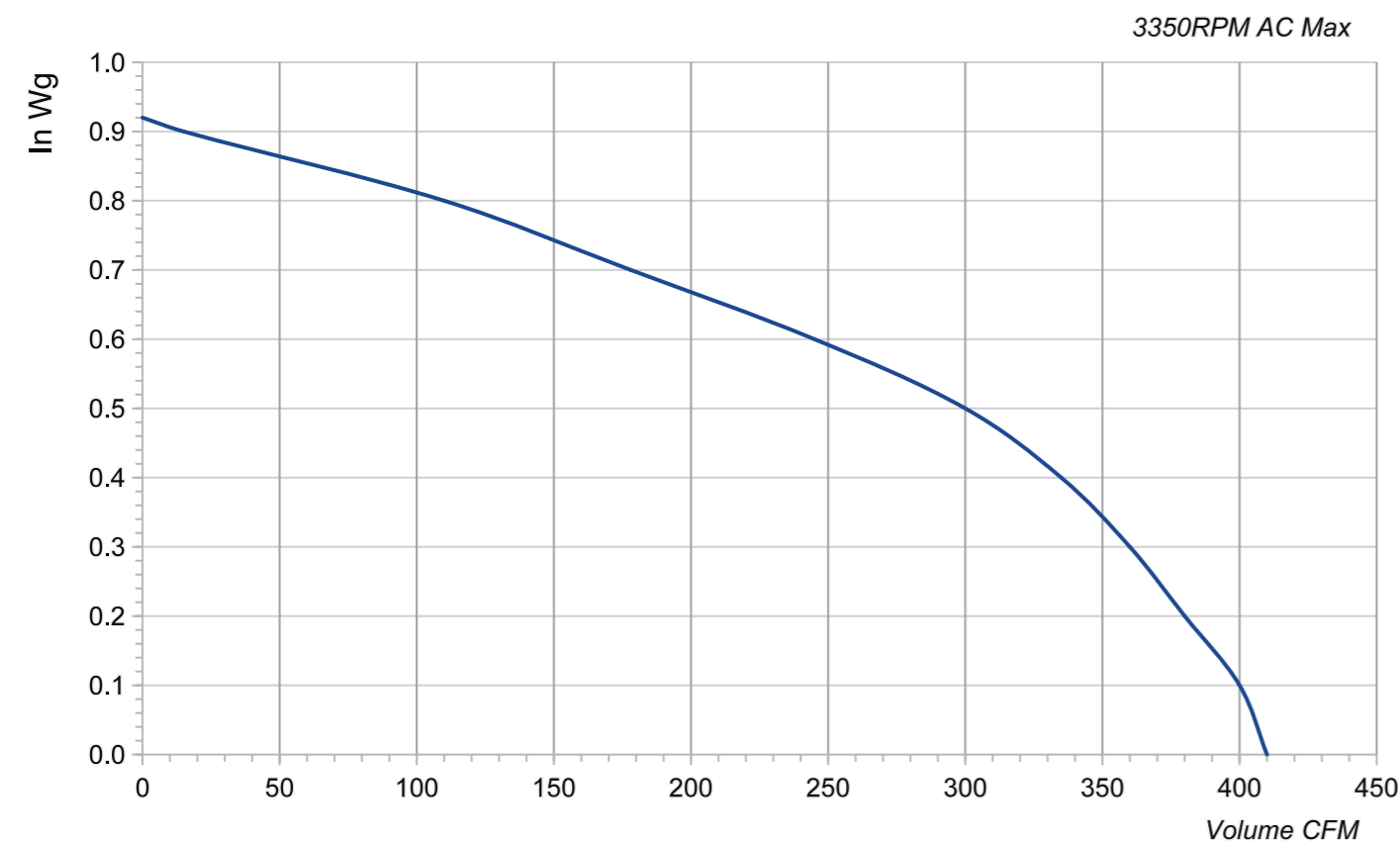
Product Characteristic

- Material: Metal
- Voltage: AC Technology
- Type of Operation: IP54
- Mode of Operation: S1
- Working Temp: 60 C
- Speed Control Type: Constant Speed

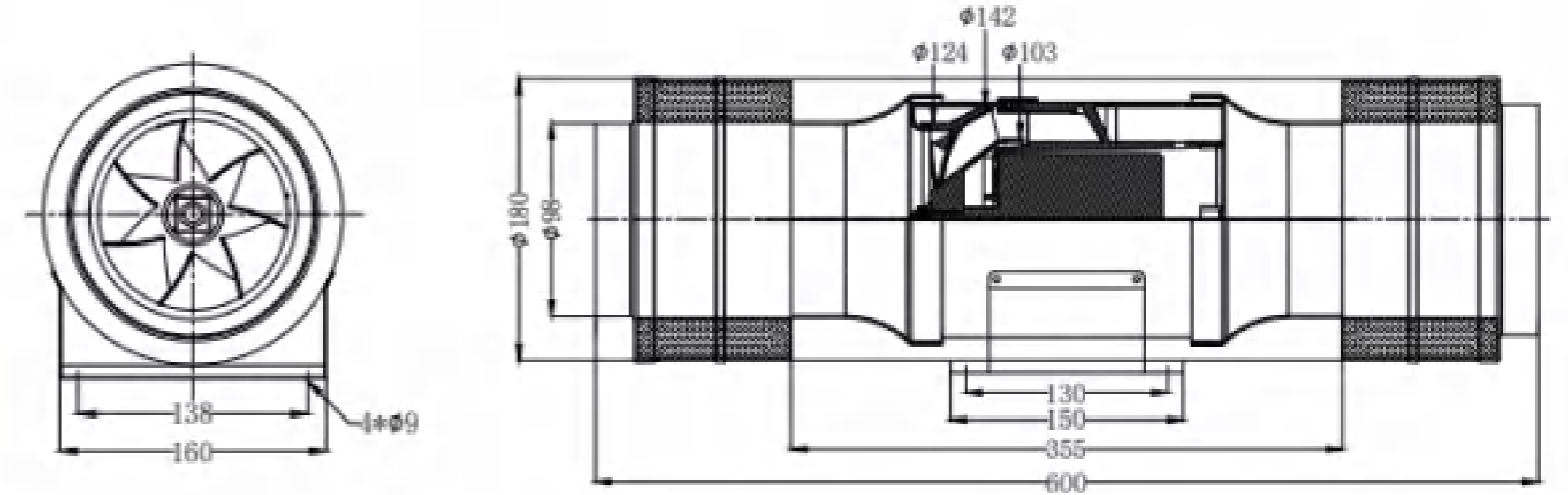


Technical Specifications

Model	Voltage (V)	Frequency (Hz)	Maximum Flow Value (CFM)	Working Power (W)	Speed (RPM)	Noise [dB(A)]
LWDA-100(4")U-MWN-03	110-120	60	410	41	3350	51



Product Drawing (mm)



LWDA-100(4") Series

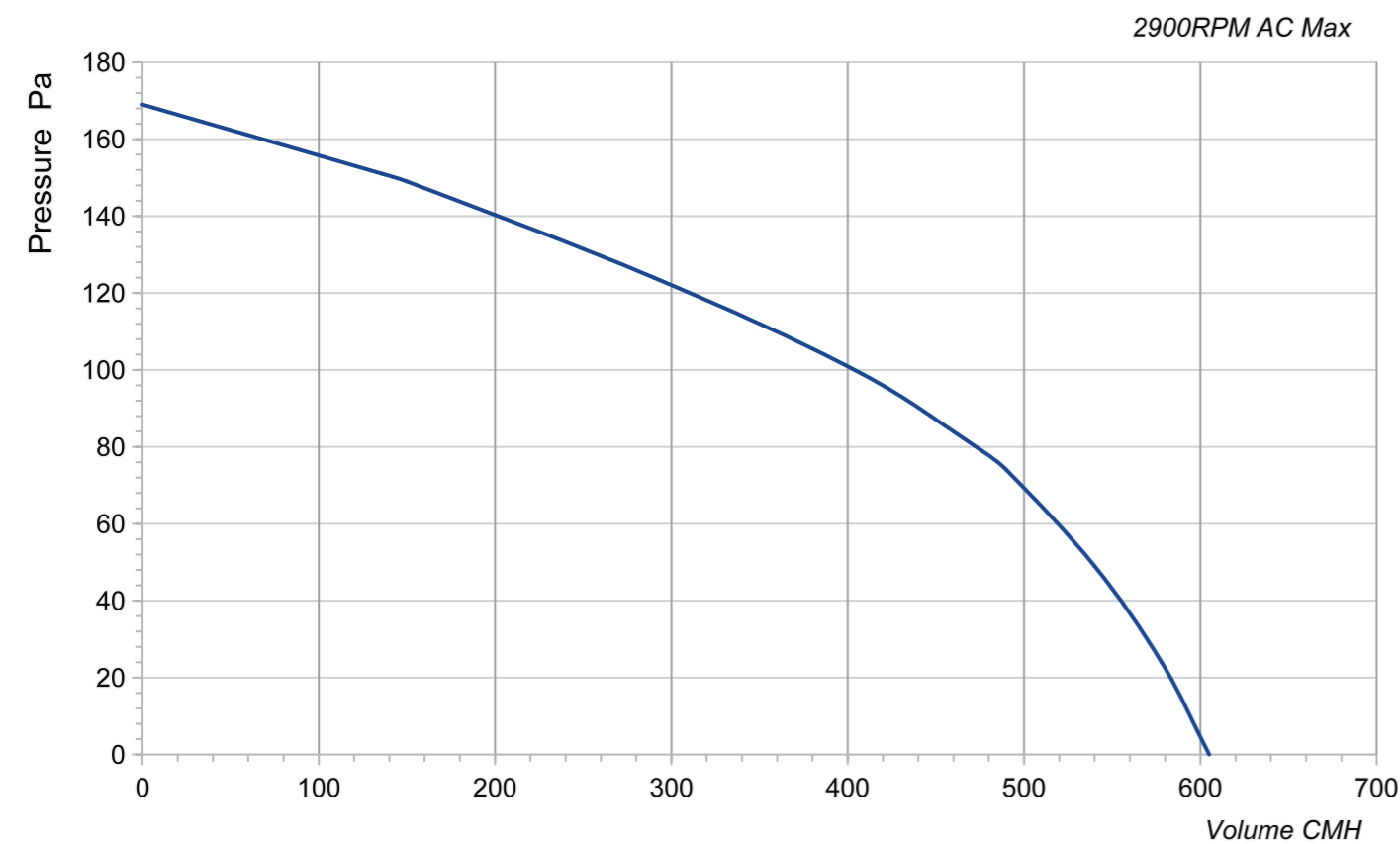
Product Characteristic

- Material: Metal
- Voltage: AC Technology
- Type of Operation: IP54
- Mode of Operation: S1
- Working Temp: 60 C
- Speed Control Type: Constant Speed

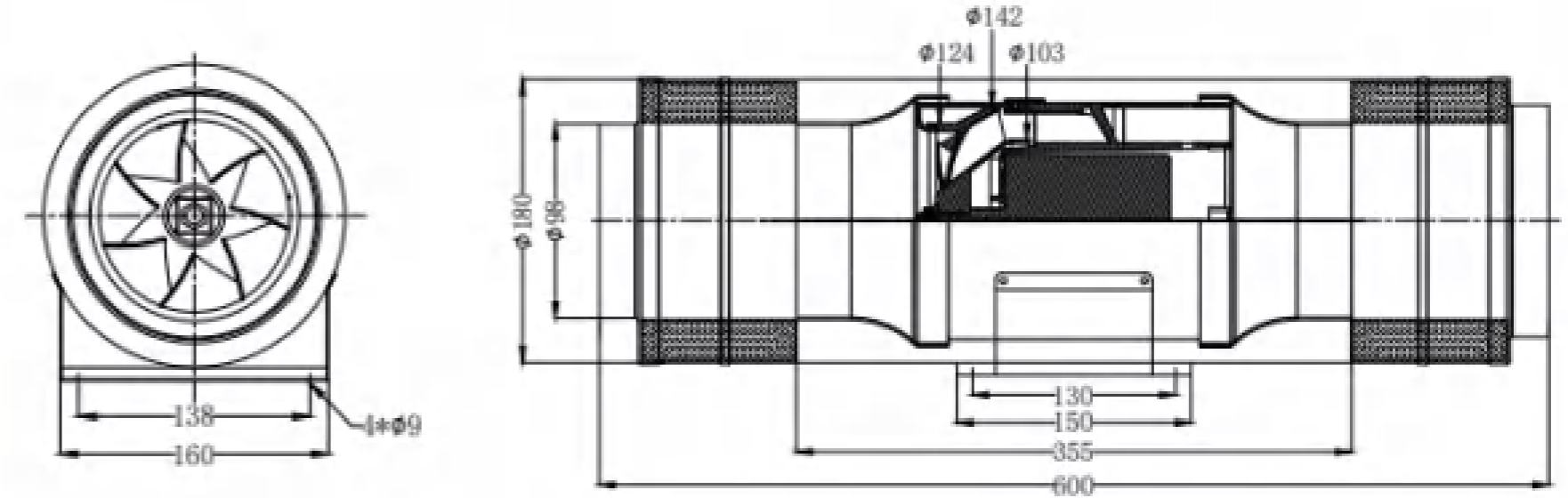


Technical Specifications

Model	Voltage (V)	Frequency (Hz)	Maximum Flow Value (CMH)	Working Power (W)	Speed (RPM)	Noise [dB(A)]
LWDA-100(4")S-MWN-04	220-240	50/60	605	41	2900	49



Product Drawing (mm)



LWDA-125(5") Series

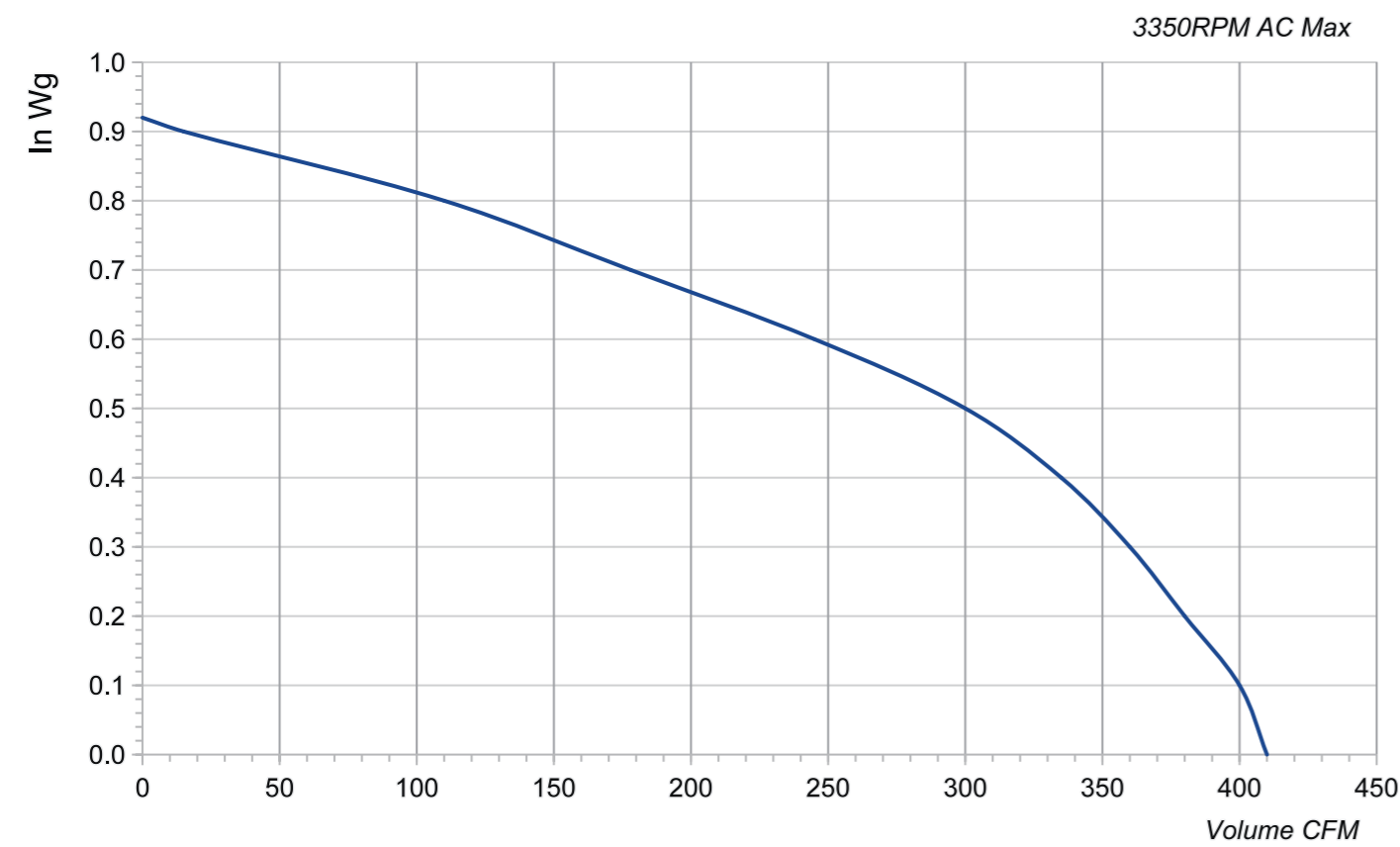
Product Characteristic

- Material: Metal
- Voltage: AC Technology
- Type of Operation: IP54
- Mode of Operation: S1
- Working Temp: 60 C
- Speed Control Type: Constant Speed

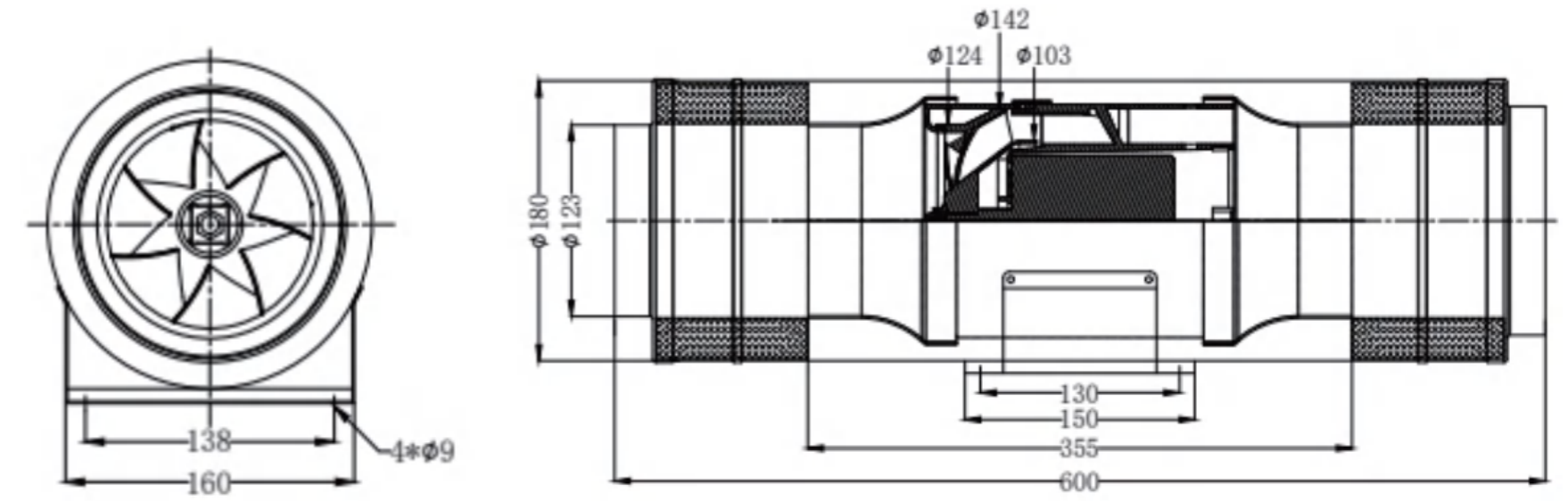


Technical Specifications

Model	Voltage (V)	Frequency (Hz)	Maximum Flow Value (CFM)	Working Power (W)	Speed (RPM)	Noise [dB(A)]
LWDA-125(5")U-MWN-03	110-120	60	410	41	3350	51



Product Drawing (mm)



LWDA-125(5") Series

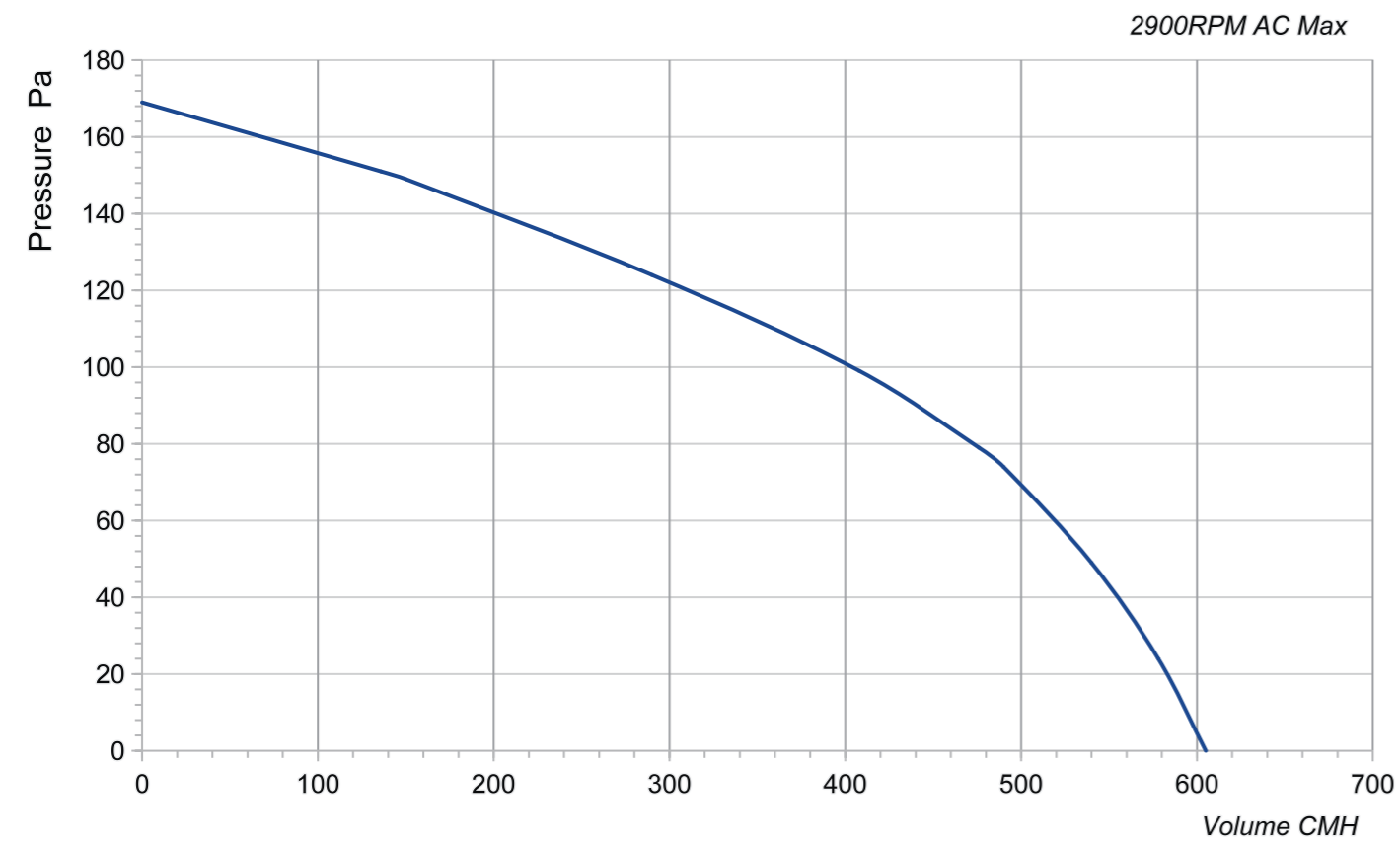
Product Characteristic

- Material: Metal
- Voltage: AC Technology
- Type of Operation: IP54
- Mode of Operation: S1
- Working Temp: 60 °C
- Speed Control Type: Constant Speed

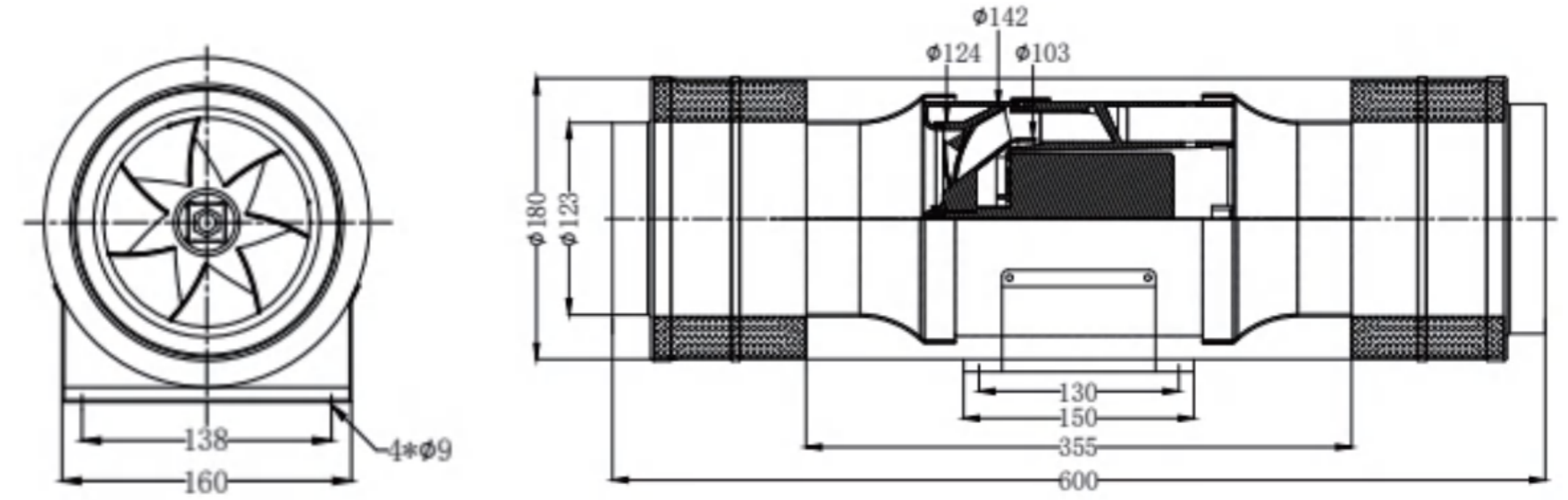


Technical Specifications

Model	Voltage (V)	Frequency (Hz)	Maximum Flow Value (CMH)	Working Power (W)	Speed (RPM)	Noise [dB(A)]
LWDA-125(5")S-MWN-04	220-240	50/60	605	41	2900	49



Product Drawing (mm)



LWDA-150(6") Series

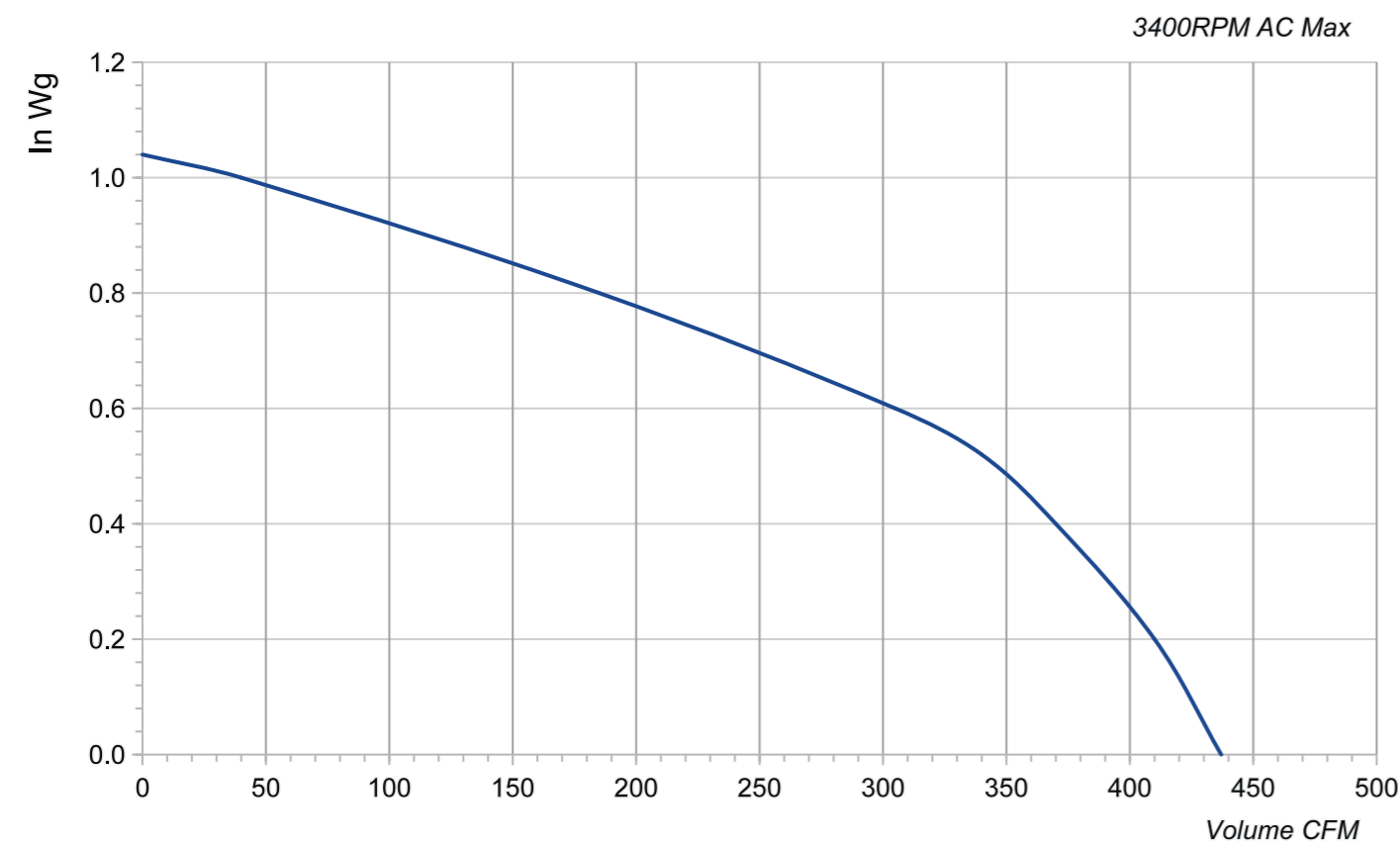
Product Characteristic

- Material: Metal
- Voltage: AC Technology
- Type of Operation: IP54
- Mode of Operation: S1
- Working Temp: 60 C
- Speed Control Type: Constant Speed

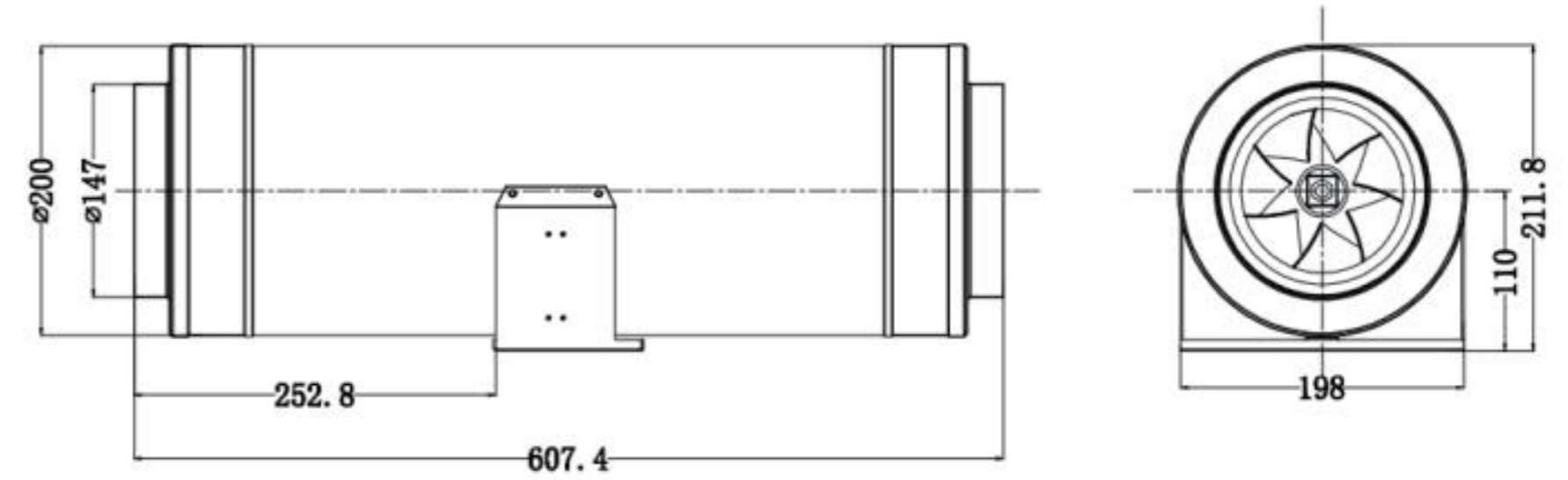


Technical Specifications

Model	Voltage (V)	Frequency (Hz)	Maximum Flow Value (CFM)	Working Power (W)	Speed (RPM)	Noise [dB(A)]
LWDA-150(6")U-MWN-03	110-120	60	437	55	3400	53



Product Drawing (mm)



LWDA-150(6") Series

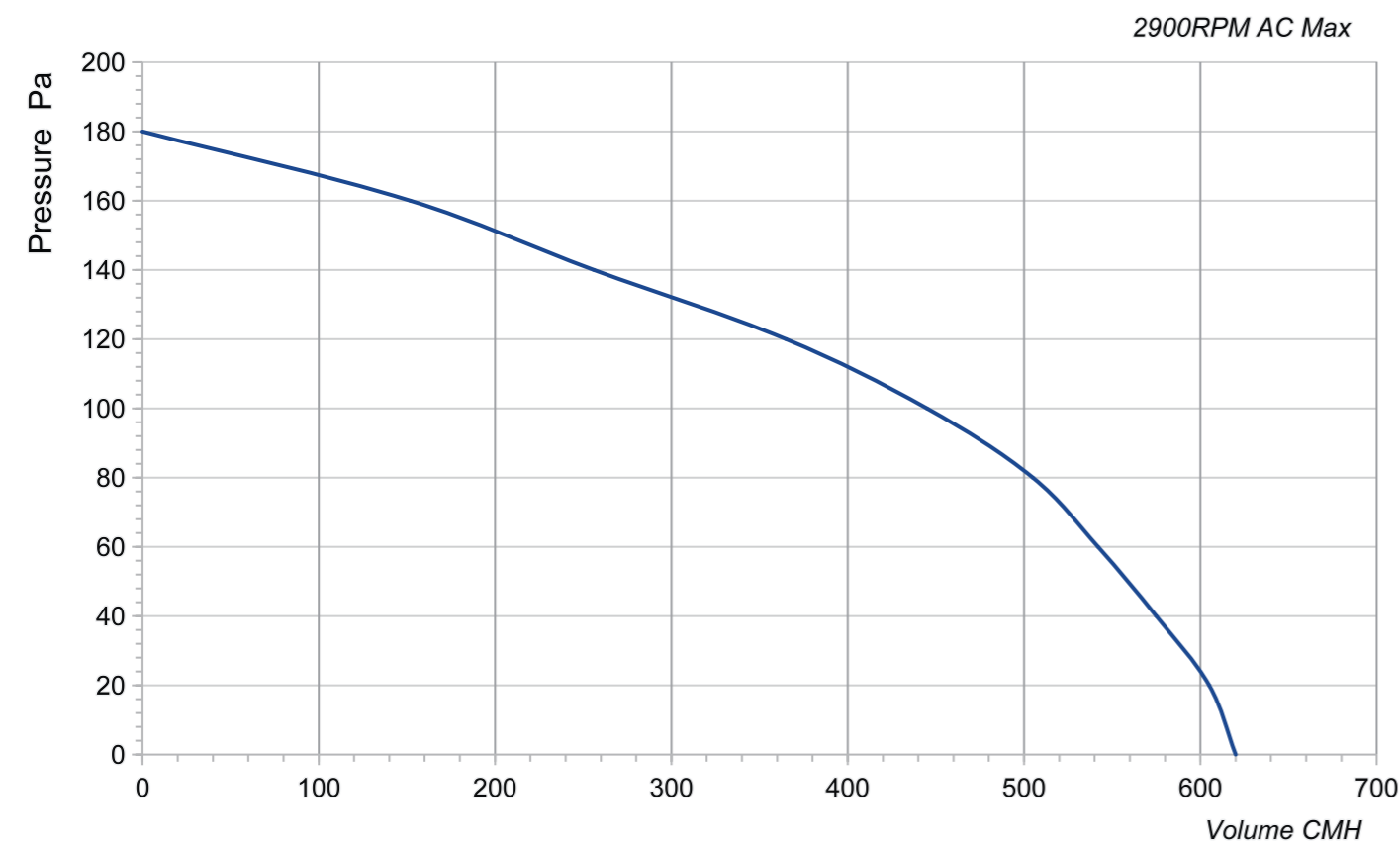
Product Characteristic

- Material: Metal
- Voltage: AC Technology
- Type of Operation: IP54
- Mode of Operation: S1
- Working Temp: 60 °C
- Speed Control Type: Constant Speed

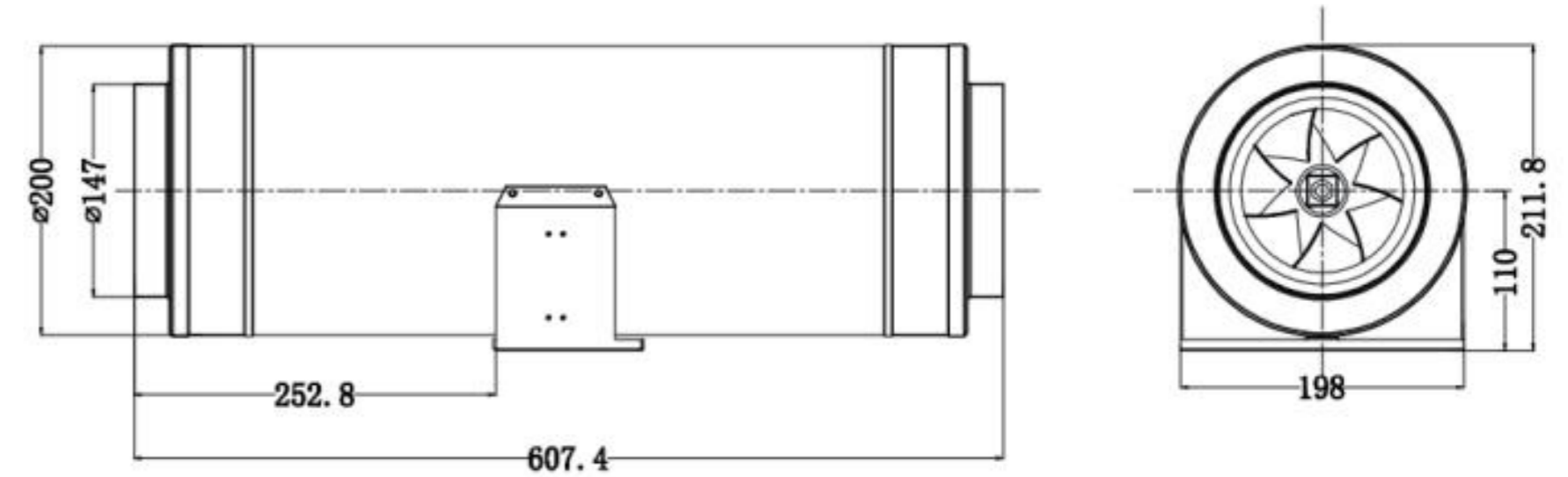


Technical Specifications

Model	Voltage (V)	Frequency (Hz)	Maximum Flow Value (CMH)	Working Power (W)	Speed (RPM)	Noise [dB(A)]
LWDA-150(6")S-MWN-04	220-240	50	620	41	2900	50



Product Drawing (mm)



LWDA-200(8") Series

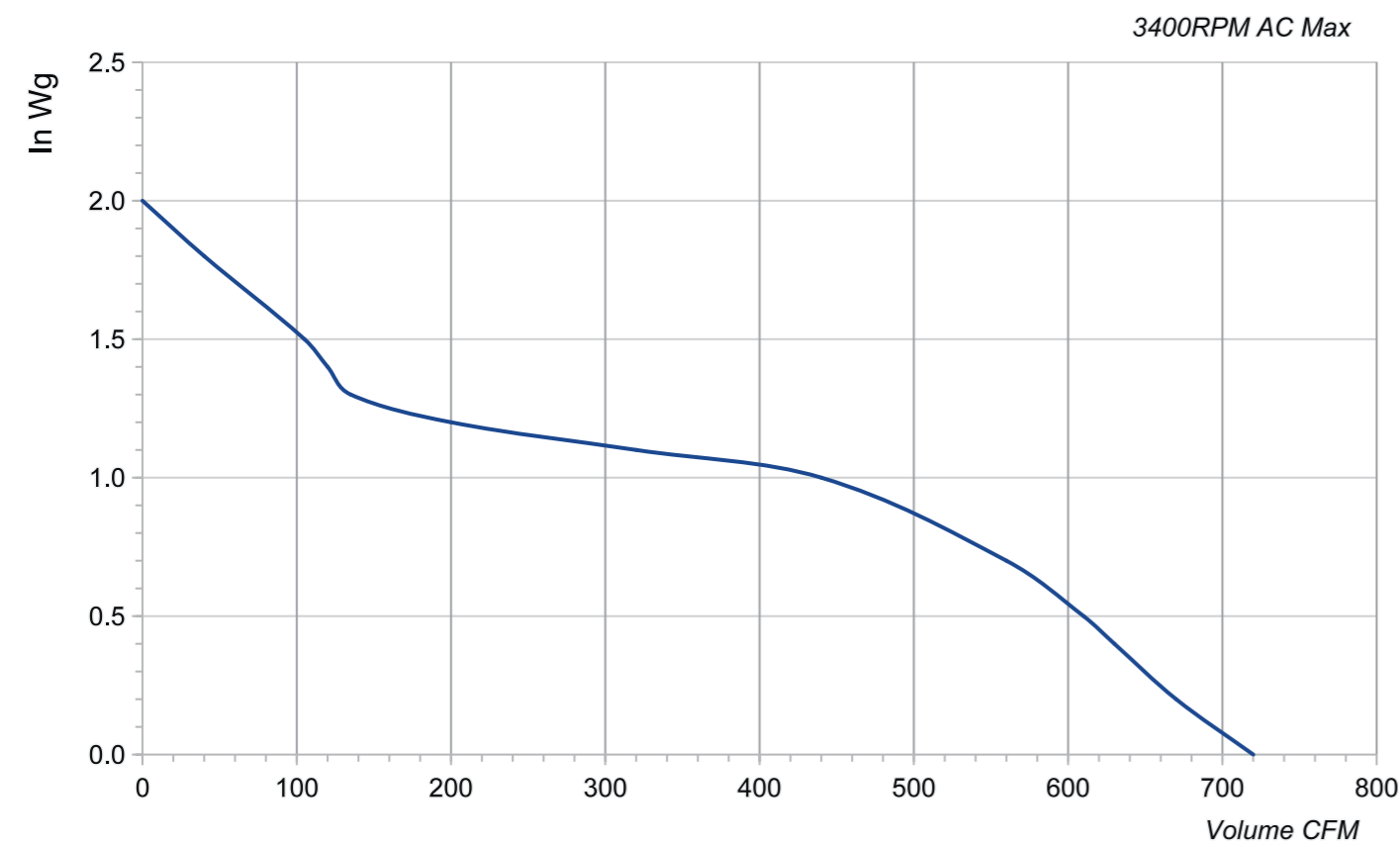
Product Characteristic

- Material: Metal
- Voltage: AC Technology
- Type of Operation: IP54
- Mode of Operation: S1
- Working Temp: 60 C
- Speed Control Type: Constant Speed

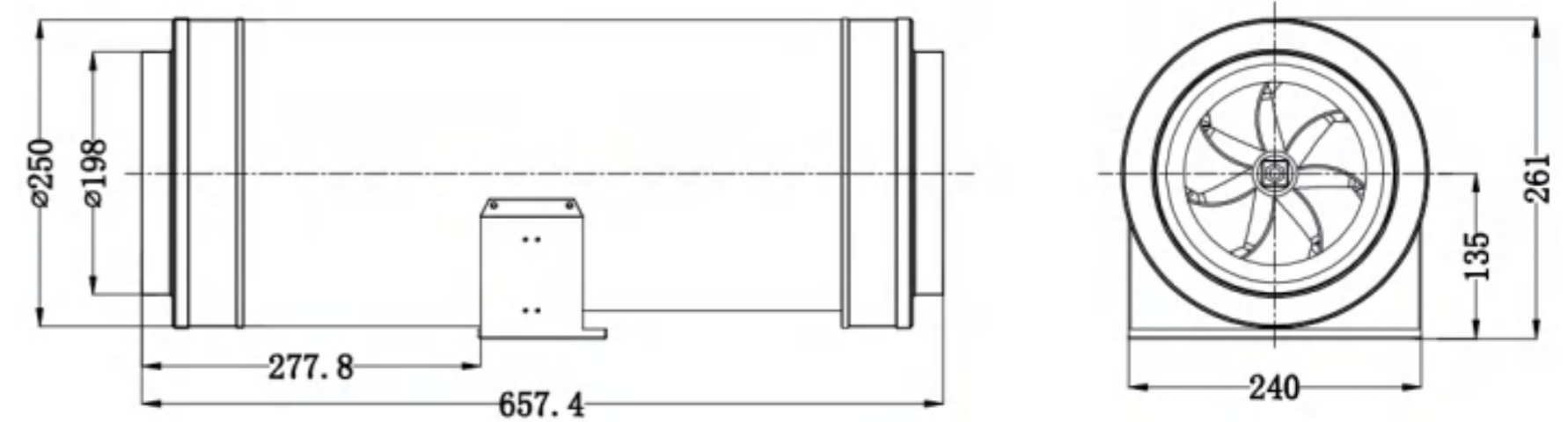


Technical Specifications

Model	Voltage (V)	Frequency (Hz)	Maximum Flow Value (CFM)	Working Power (W)	Speed (RPM)	Noise [dB(A)]
LWDA-200(8")U-MWN-03	110-120	60	720	179	3400	61



Product Drawing (mm)



LWDA-200(8") Series

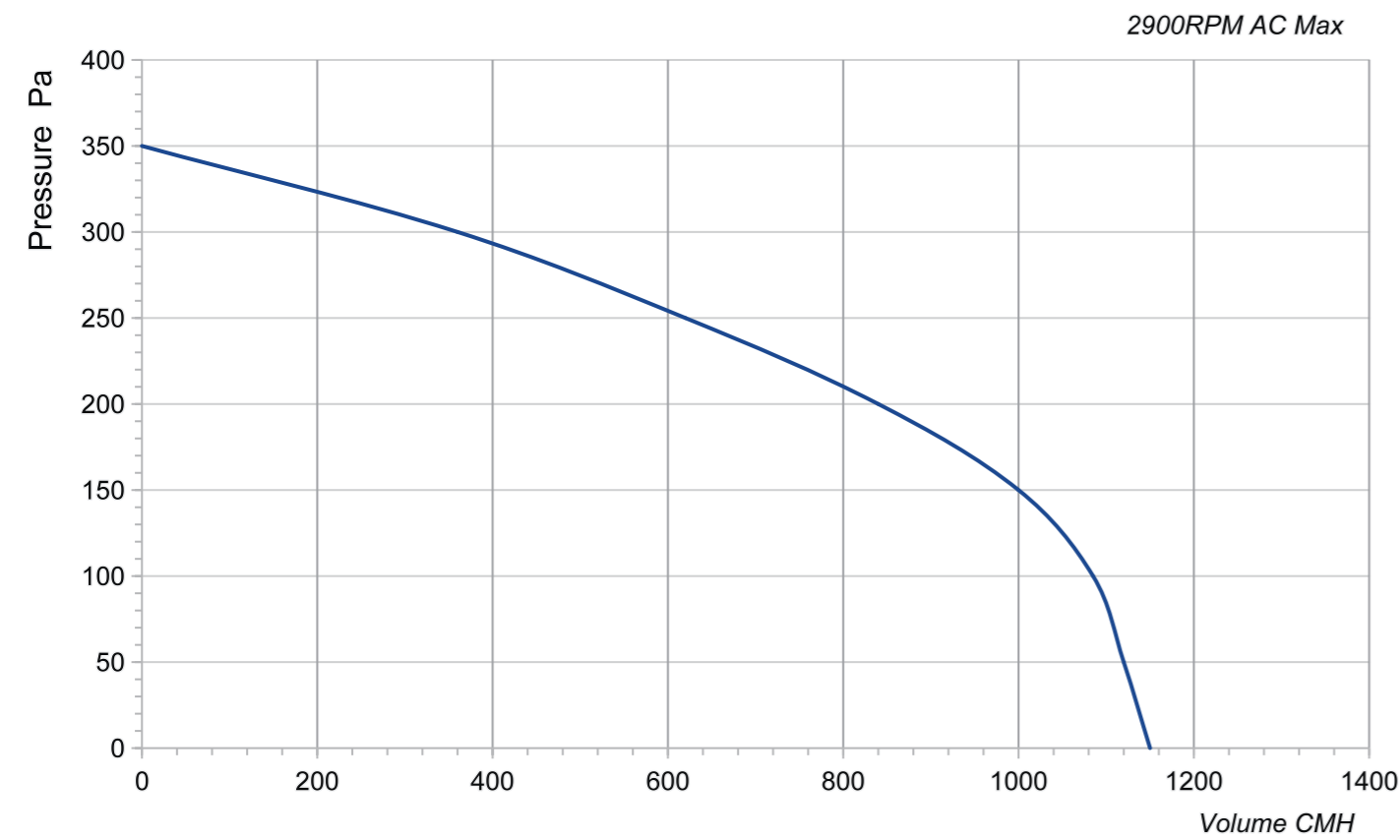
Product Characteristic

- Material: Metal
- Voltage: AC Technology
- Type of Operation: IP54
- Mode of Operation: S1
- Working Temp: 60 C
- Speed Control Type: Constant Speed

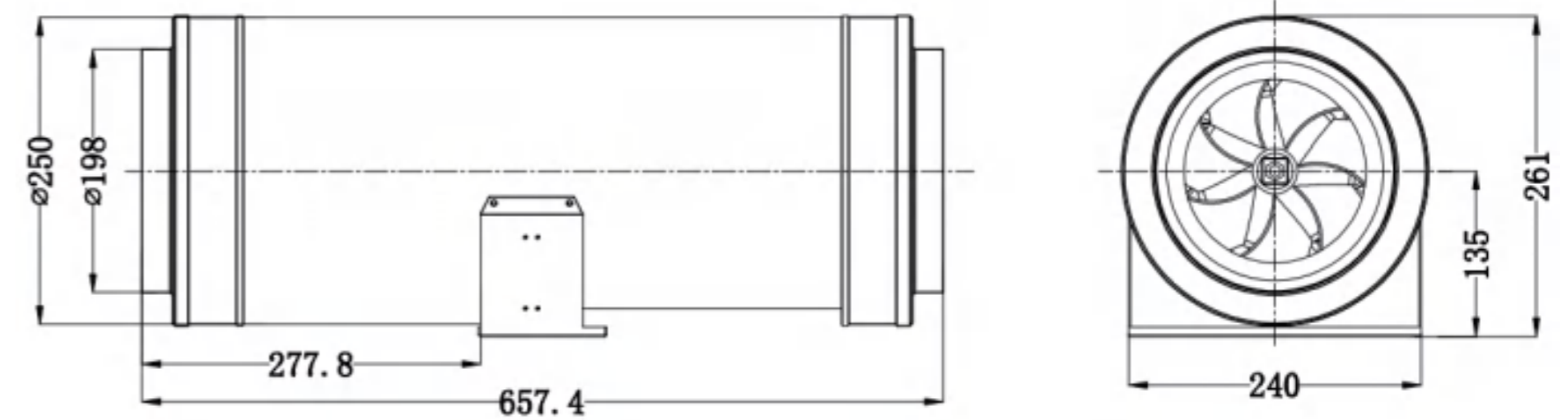


Technical Specifications

Model	Voltage (V)	Frequency (Hz)	Maximum Flow Value (CMH)	Working Power (W)	Speed (RPM)	Noise [dB(A)]
LWDA-200(8")S-MWN-04	220-240	50	1150	143	2900	57



Product Drawing (mm)



LWDA-250(10") Series

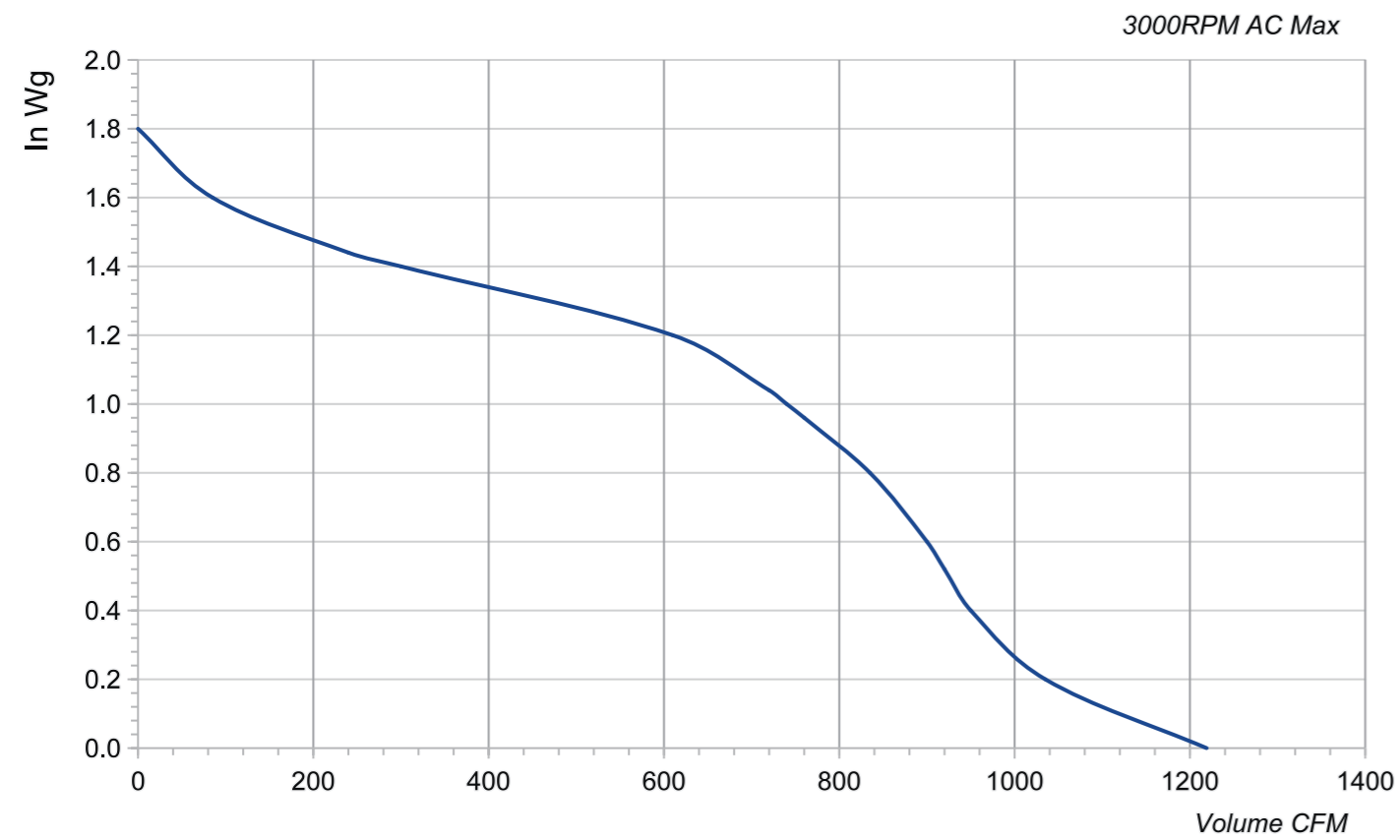
Product Characteristic

- Material: Metal
- Voltage: AC Technology
- Type of Operation: IP54
- Mode of Operation: S1
- Working Temp: 60 C
- Speed Control Type: Constant Speed

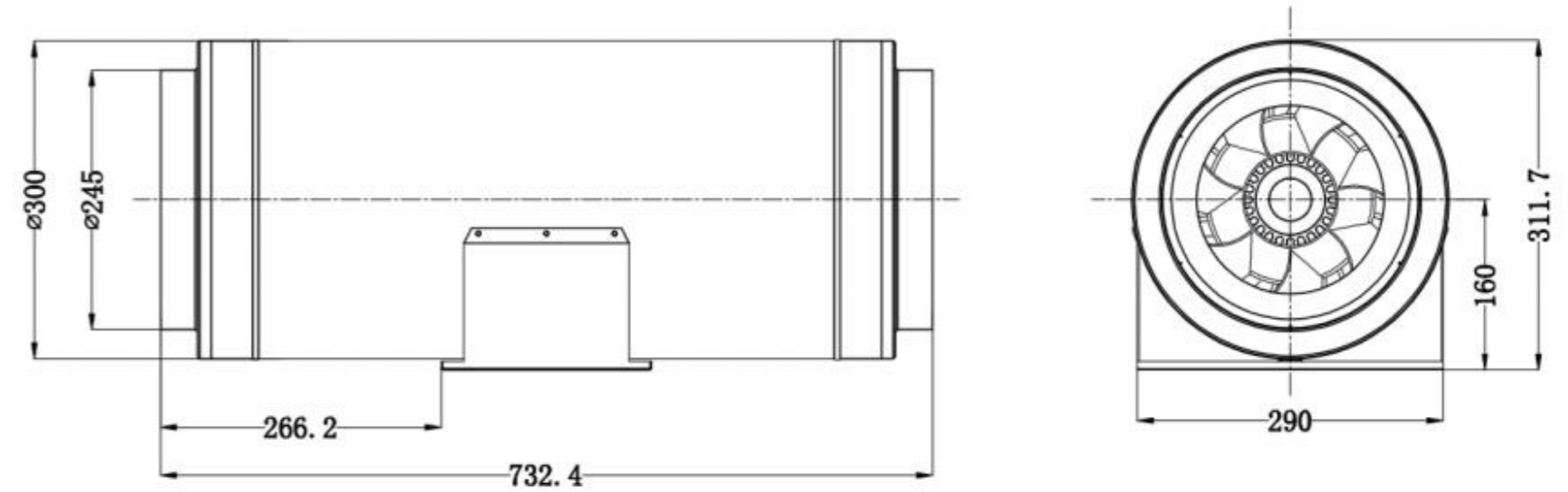


Technical Specifications

Model	Voltage (V)	Frequency (Hz)	Maximum Flow Value (CFM)	Working Power (W)	Speed (RPM)	Noise [dB(A)]
LWDA-250(10")U-MWN-03	110-120	60	1219	228	3000	62



Product Drawing (mm)



LWDA-250(10") Series

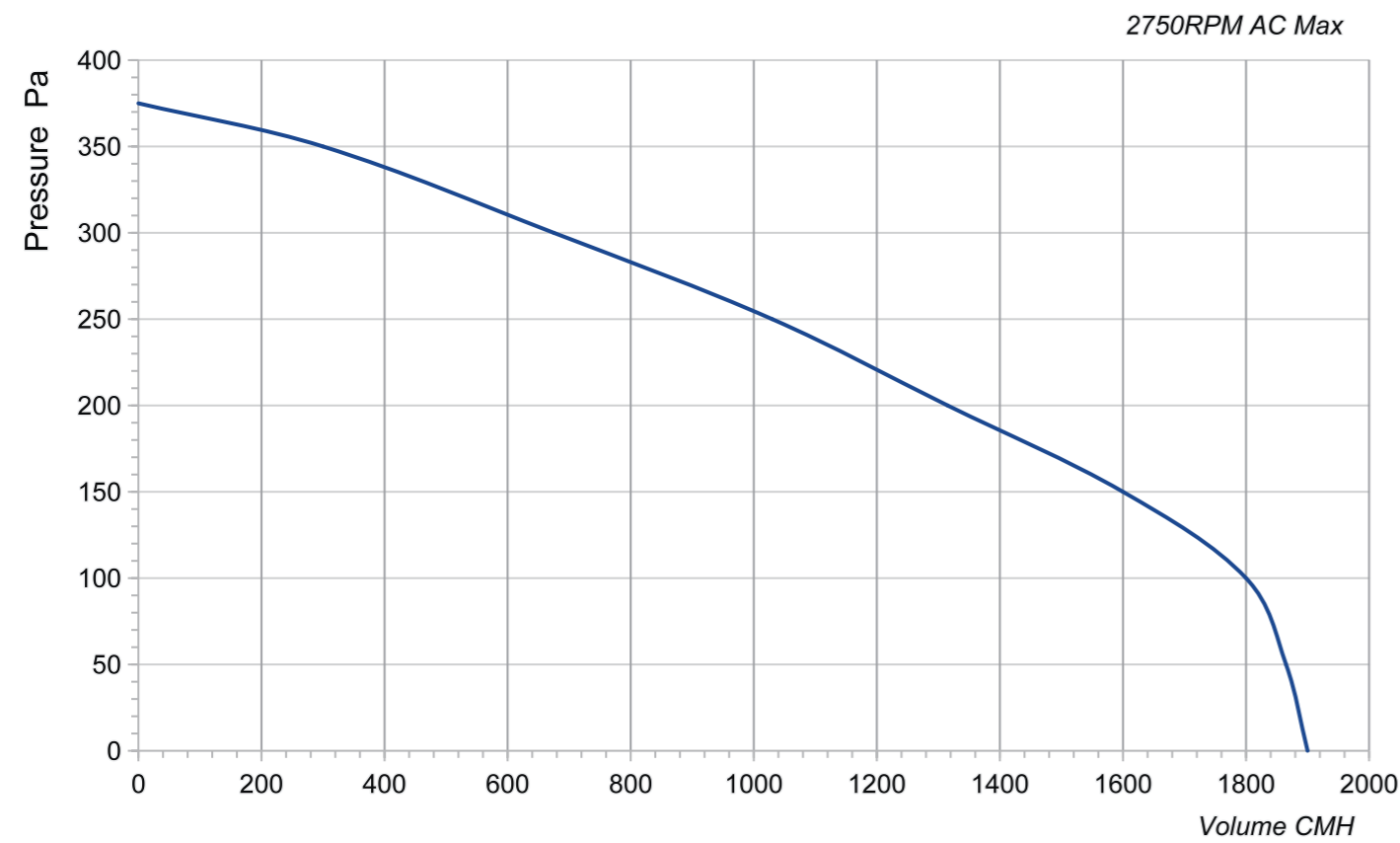
Product Characteristic

- Material: Metal
- Voltage: AC Technology
- Type of Operation: IP54
- Mode of Operation: S1
- Working Temp: 60 C
- Speed Control Type: Constant Speed

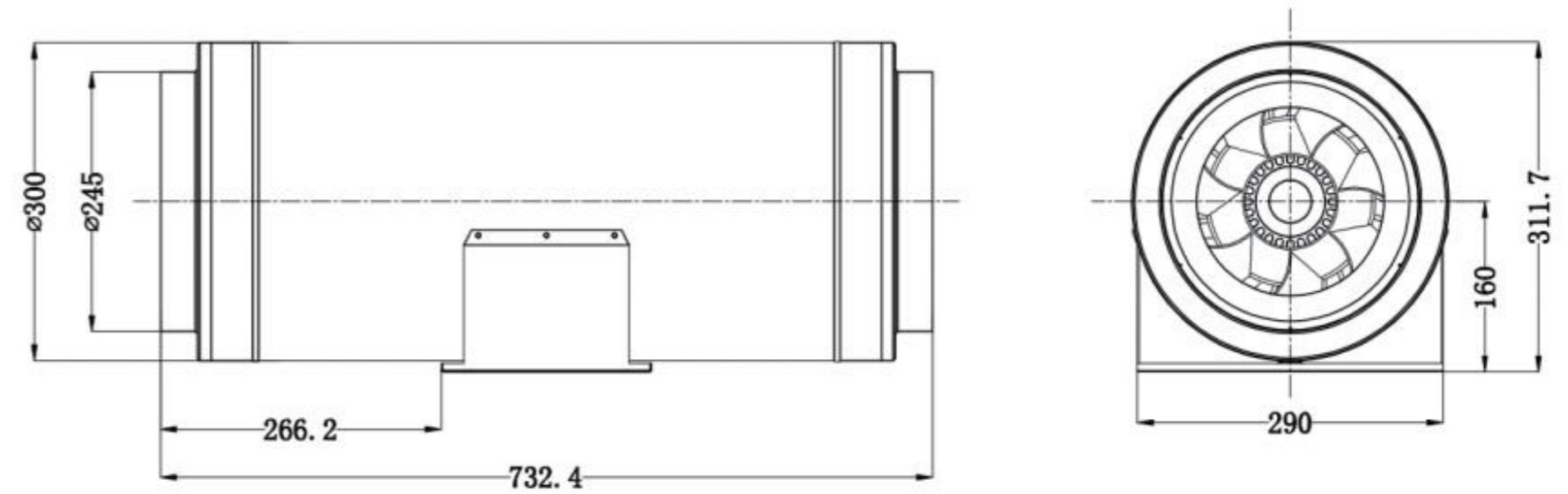


Technical Specifications

Model	Voltage (V)	Frequency (Hz)	Maximum Flow Value (CMH)	Working Power (W)	Speed (RPM)	Noise [dB(A)]
LWDA-250(10")S-MWN-04	220-240	50	1900	162	2750	60



Product Drawing (mm)



LWDA-300(12") Series

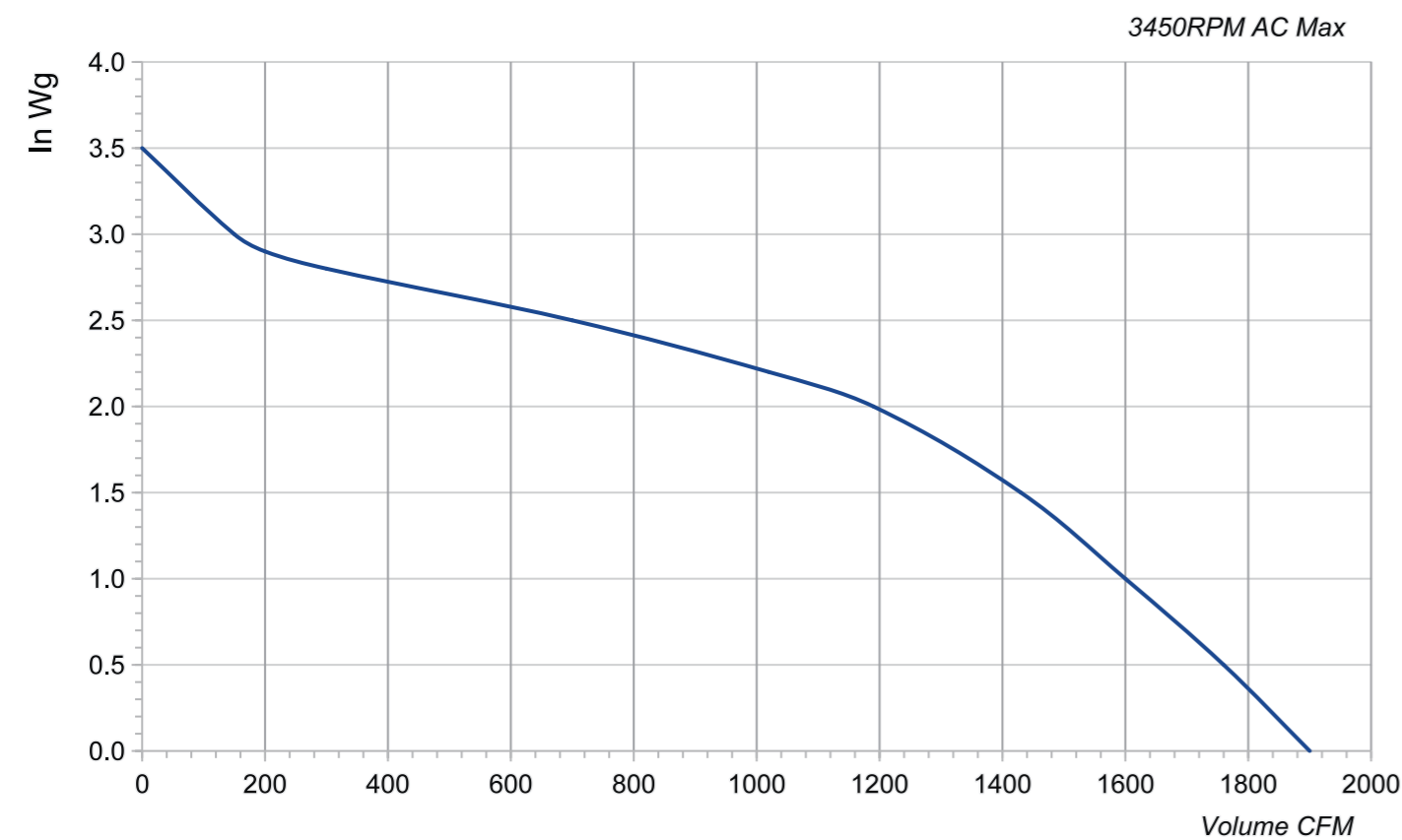
Product Characteristic

- Material: Metal
- Voltage: AC Technology
- Type of Operation: IP54
- Mode of Operation: S1
- Working Temp: 60 C
- Speed Control Type: Constant Speed

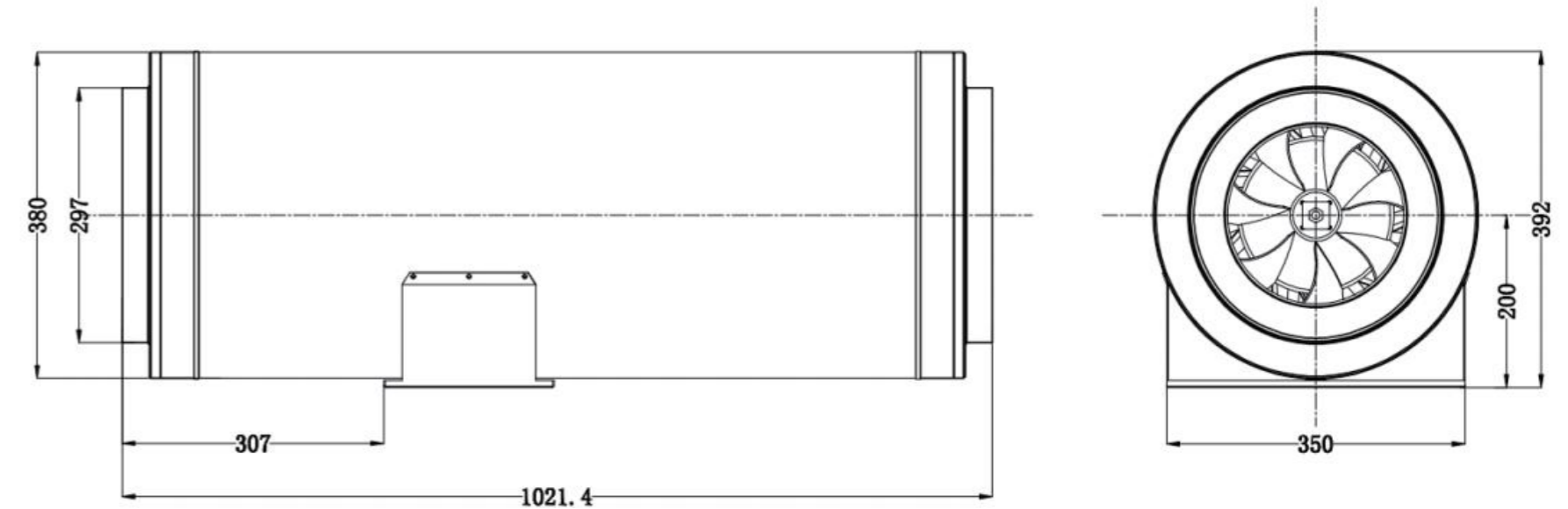


Technical Specifications

Model	Voltage (V)	Frequency (Hz)	Maximum Flow Value (CFM)	Working Power (W)	Speed (RPM)	Noise [dB(A)]
LWDA-300(12")U-MWN-03	110-120	60	1900	489	3450	71



Product Drawing (mm)



LWDA-300(12") Series

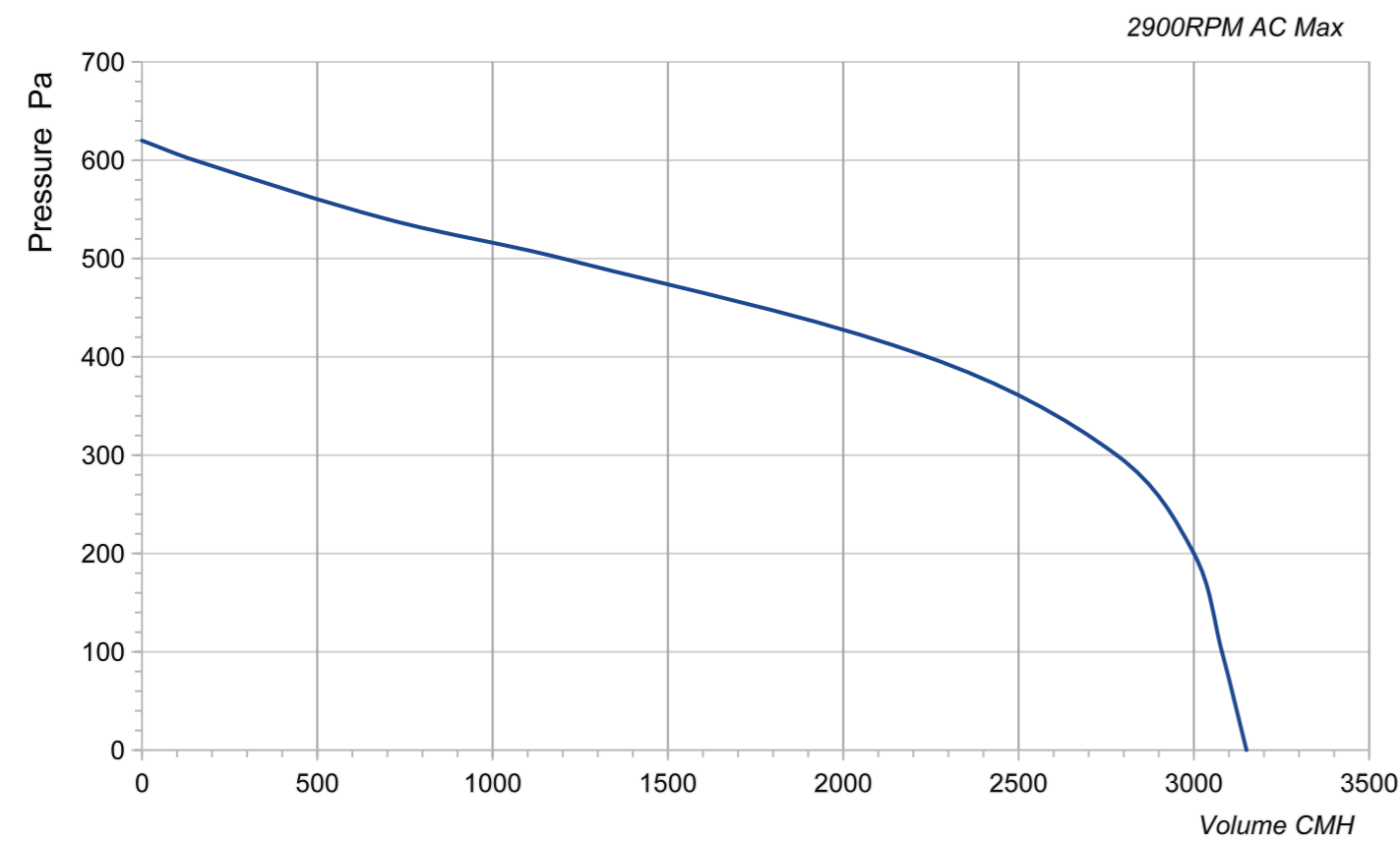
Product Characteristic

- Material: Metal
- Voltage: AC Technology
- Type of Operation: IP54
- Mode of Operation: S1
- Working Temp: 60 C
- Speed Control Type: Constant Speed

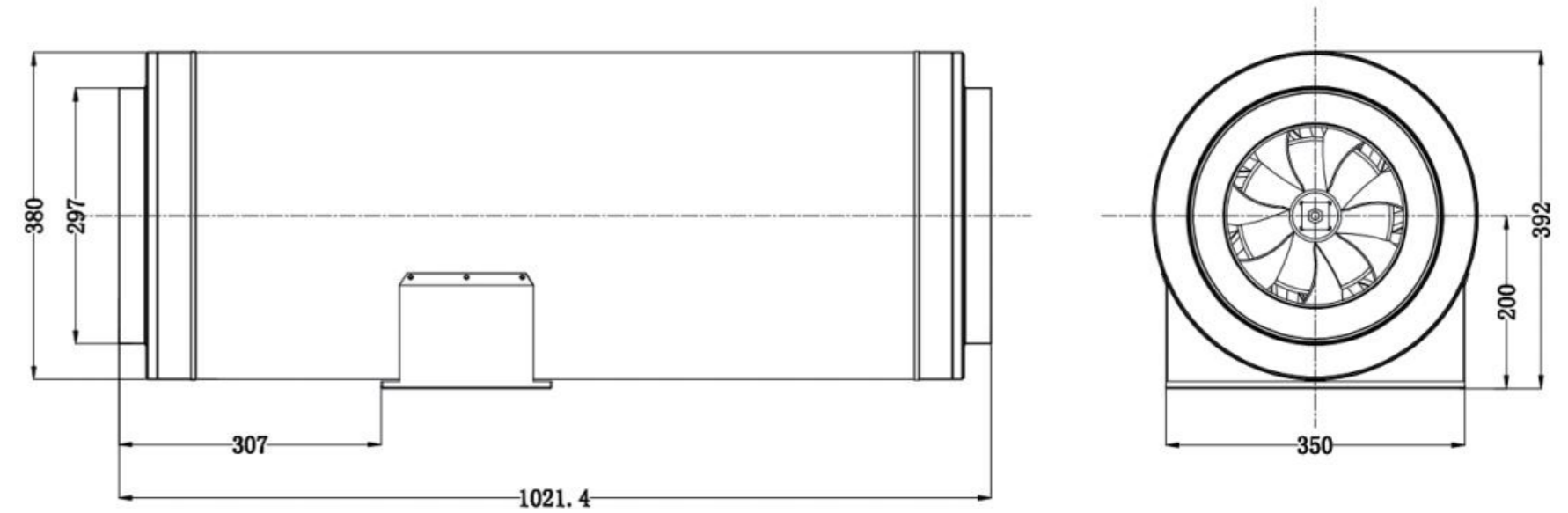


Technical Specifications

Model	Voltage (V)	Frequency (Hz)	Maximum Flow Value (CMH)	Working Power (W)	Speed (RPM)	Noise [dB(A)]
LWDA-300 (12")S-MWN-04	220-240	50	3150	320	2900	65



Product Drawing (mm)



LWDA-355(14") Series

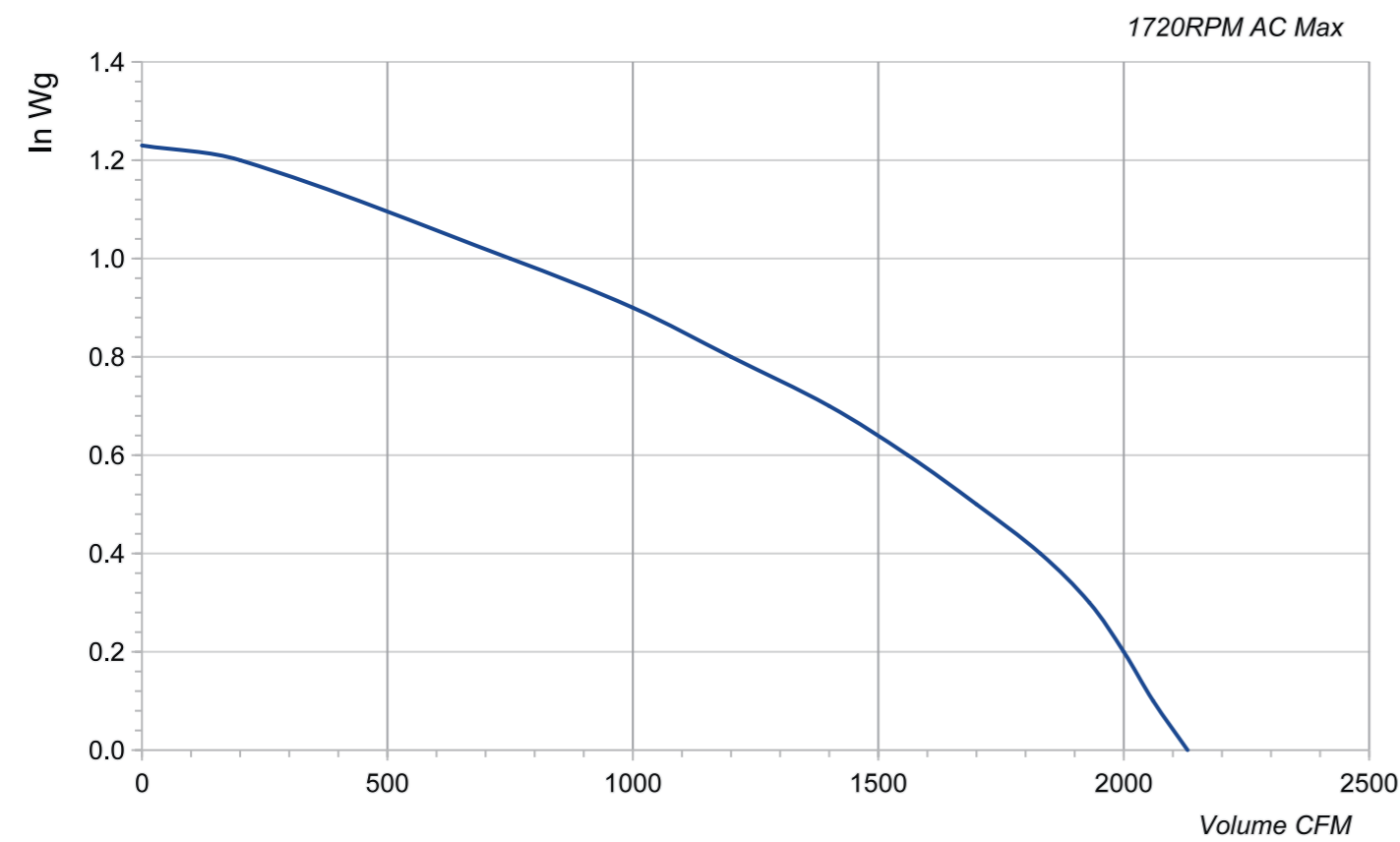
Product Characteristic

- Material: Metal
- Voltage: AC Technology
- Type of Operation: IP54
- Mode of Operation: S1
- Working Temp: 80 C
- Speed Control Type: Constant Speed

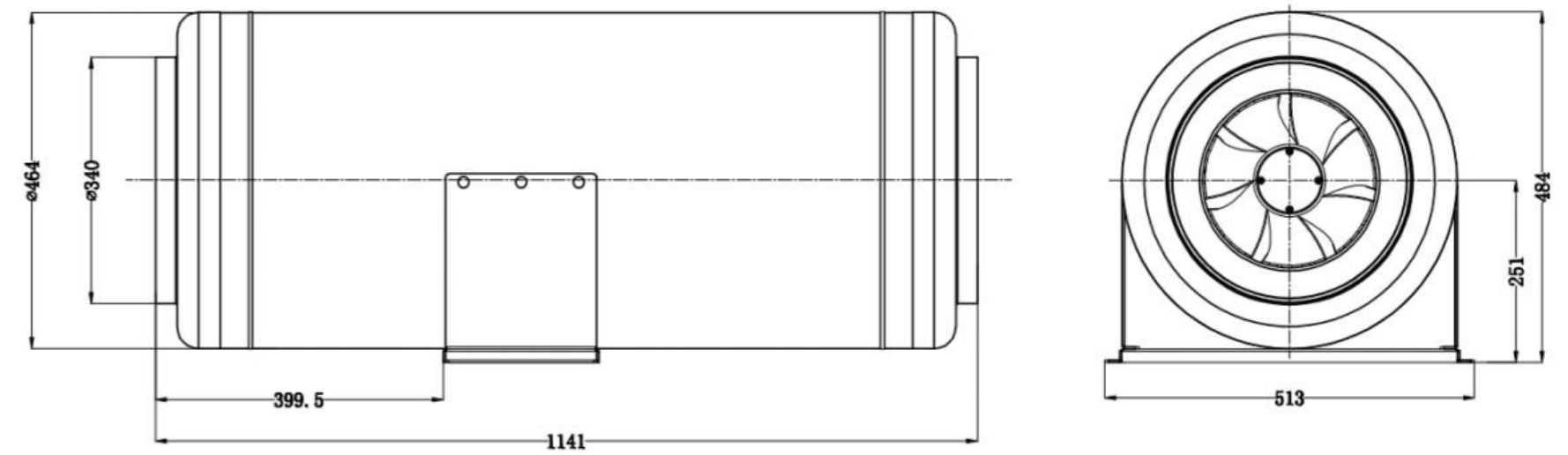


Technical Specifications

Model	Voltage (V)	Frequency (Hz)	Maximum Flow Value (CFM)	Working Power (W)	Speed (RPM)	Noise [dB(A)]
LWDA-355(14")U-MWN-03	110-120	60	2130	260	1720	63



Product Drawing (mm)



LWDA-355(14") Series

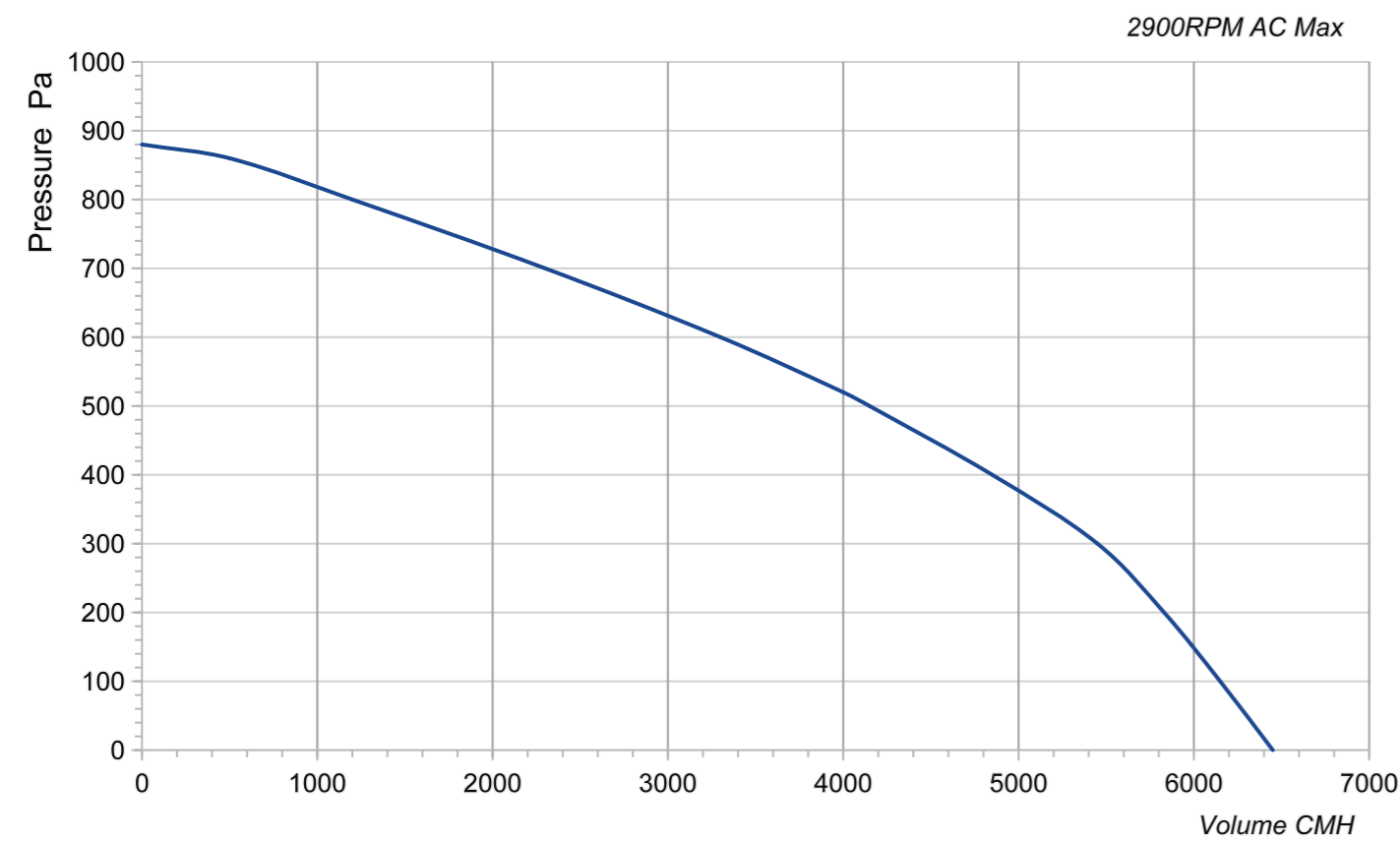
Product Characteristic

- Material: Metaa
- Voltage: AC Technology
- Type of Operation: IP54
- Mode of Operation: S1
- Working Temp: 80 C
- Speed Control Type: Constant Speed

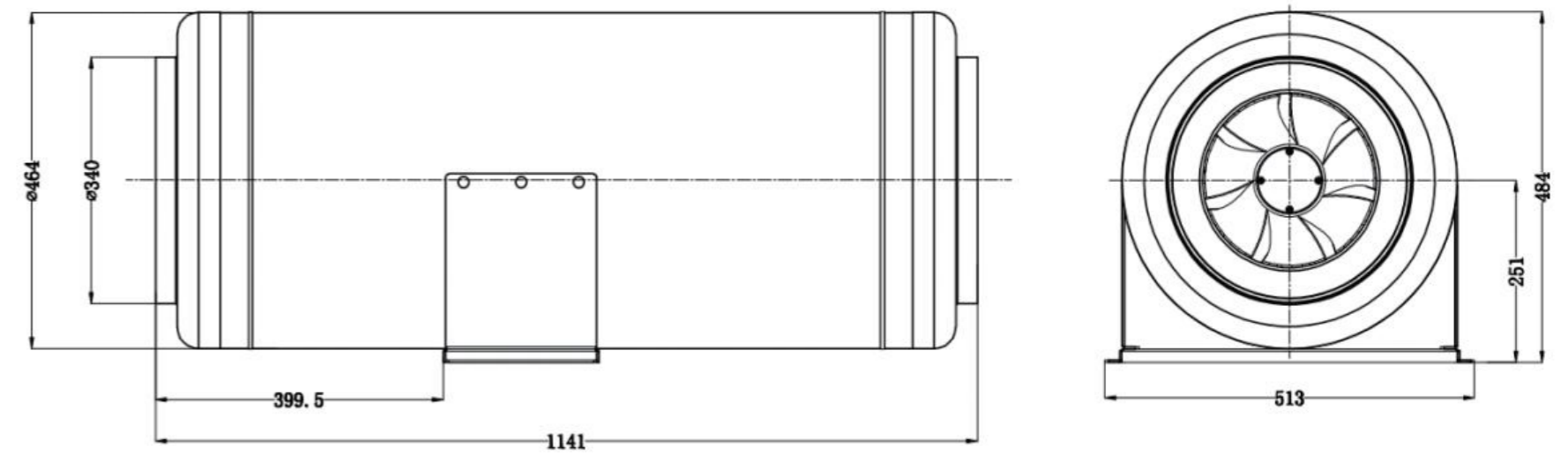


Technical Specifications

Model	Voltage (V)	Frequency (Hz)	Maximum Flow Value (CMH)	Working Power (W)	Speed (RPM)	Noise [dB(A)]
LWDA-355(14")S-MWN-04	220-240	50	6450	903	2900	68



Product Drawing (mm)



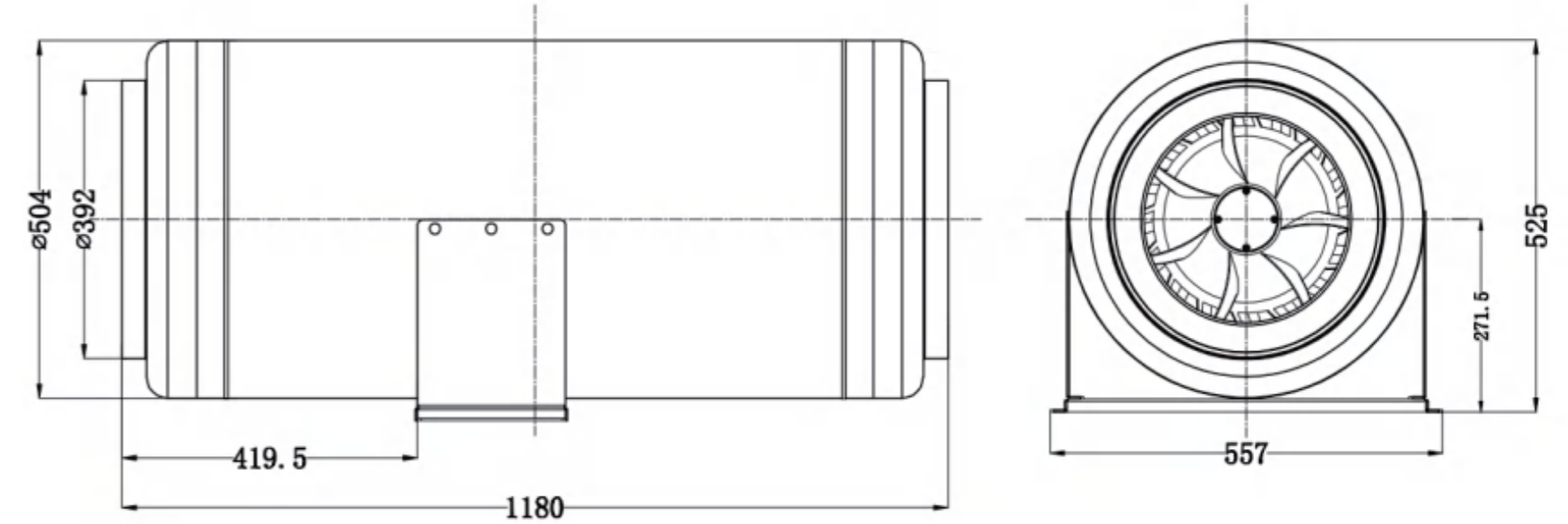
LWDA-400(16'') Series

Product Characteristic

- Material: Metal
- Voltage: AC Technology
- Type of Operation: IP54
- Mode of Operation: S1
- Working Temp: 80 C
- Speed Control Type: Constant Speed

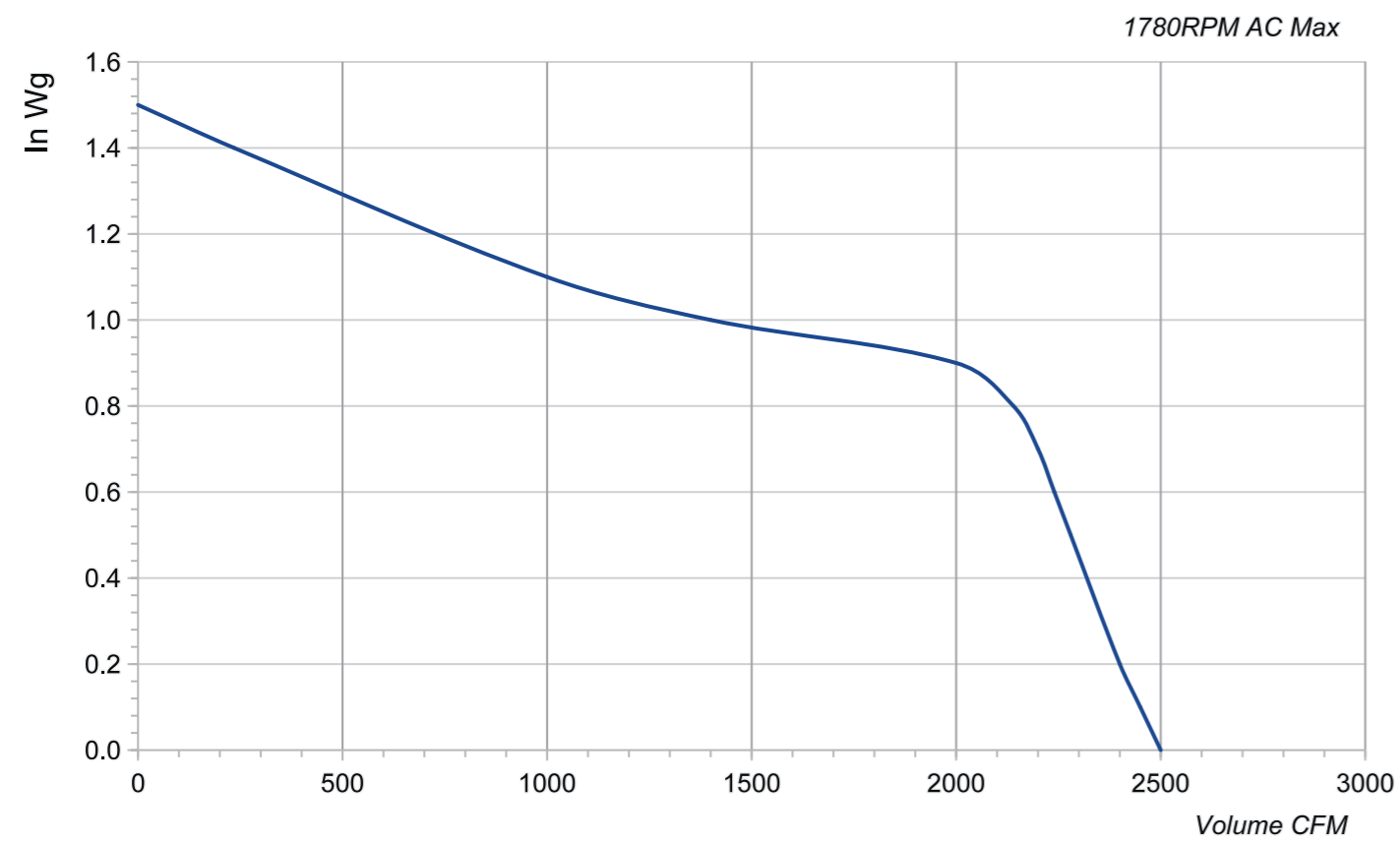


Product Drawing (mm)



Technical Specifications

Model	Voltage (V)	Frequency (Hz)	Maximum Flow Value (CFM)	Working Power (W)	Speed (RPM)	Noise [dB(A)]
LWDA-400(16'')U-MWN-03	110-120	60	2500	440	1780	66



LWDA-400(16'') Series

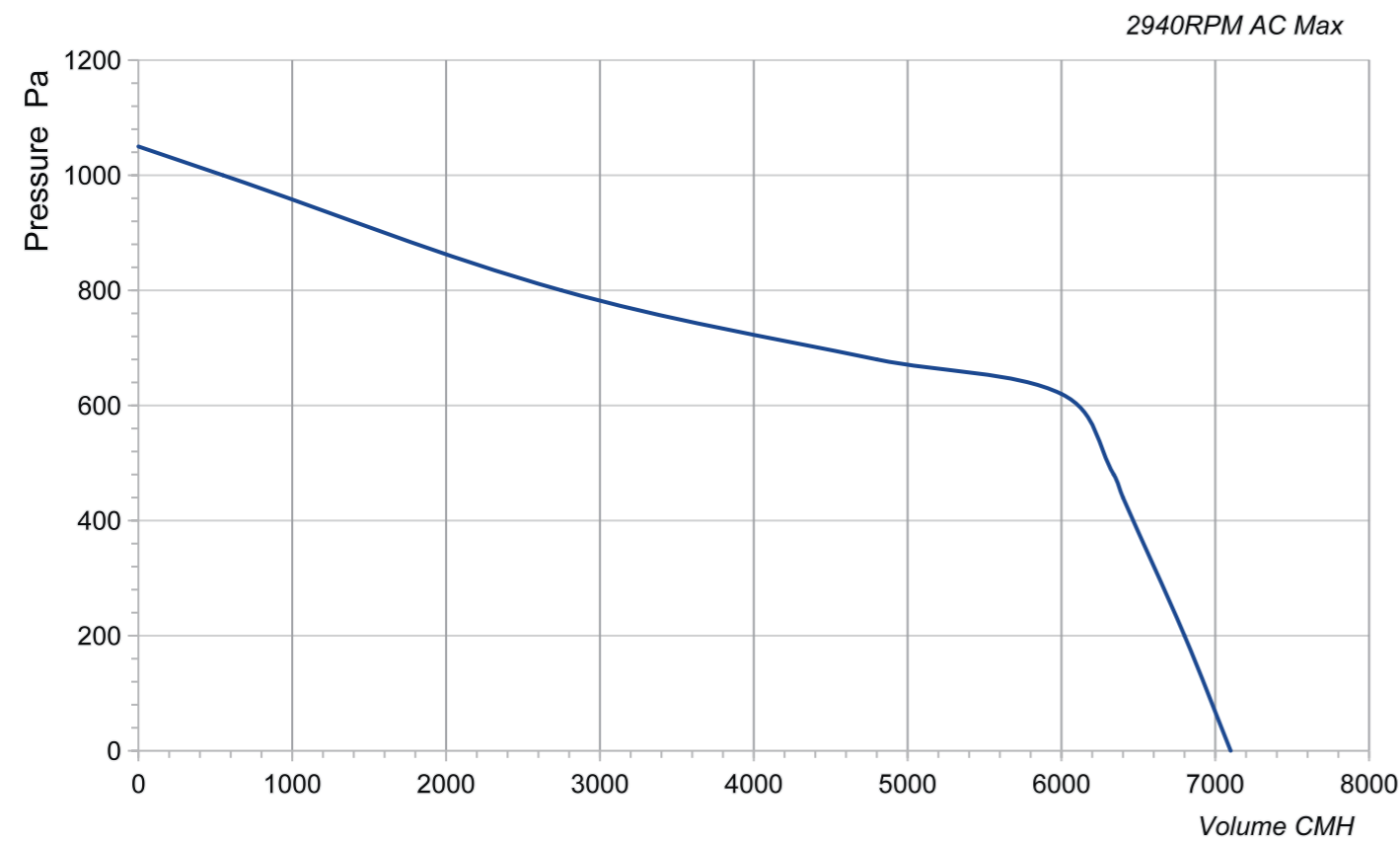
Product Characteristic

- Material: Metal
- Voltage: AC Technology
- Type of Operation: IP54
- Mode of Operation: S1
- Working Temp: 80 C
- Speed Control Type: Constant Speed



Technical Specifications

Model	Voltage (V)	Frequency (Hz)	Maximum Flow Value (CMH)	Working Power (W)	Speed (RPM)	Noise [dB(A)]
LWDA-400(16'')S-MWN-04	220-240	50	7100	1300	2940	71



Product Drawing (mm)

