

# *AC Mixed Inline Duct Fan*

- Mix type of impeller with high efficiency
- The fan is compact, so it is easy to installation and repair
- It is designed for direct connection in line with standard diameter circular ducting
- AC type is available



# LWDA-100(4") Series

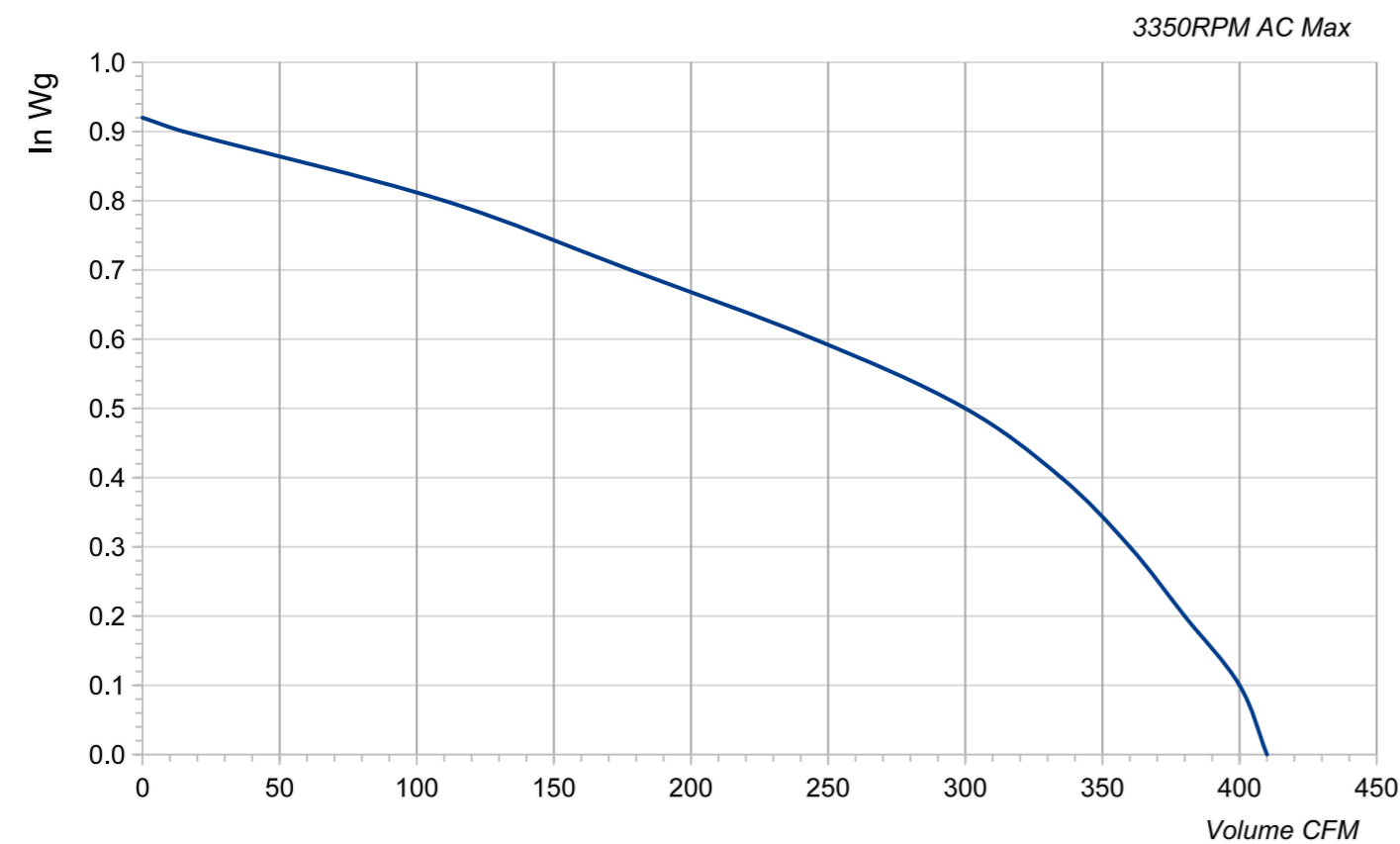
## Product Characteristic

- Material: Plastic
- Voltage: AC Technology
- Type of Operation: IP54
- Mode of Operation: S1
- Working Temp: 60 C
- Speed Control Type: Constant Speed

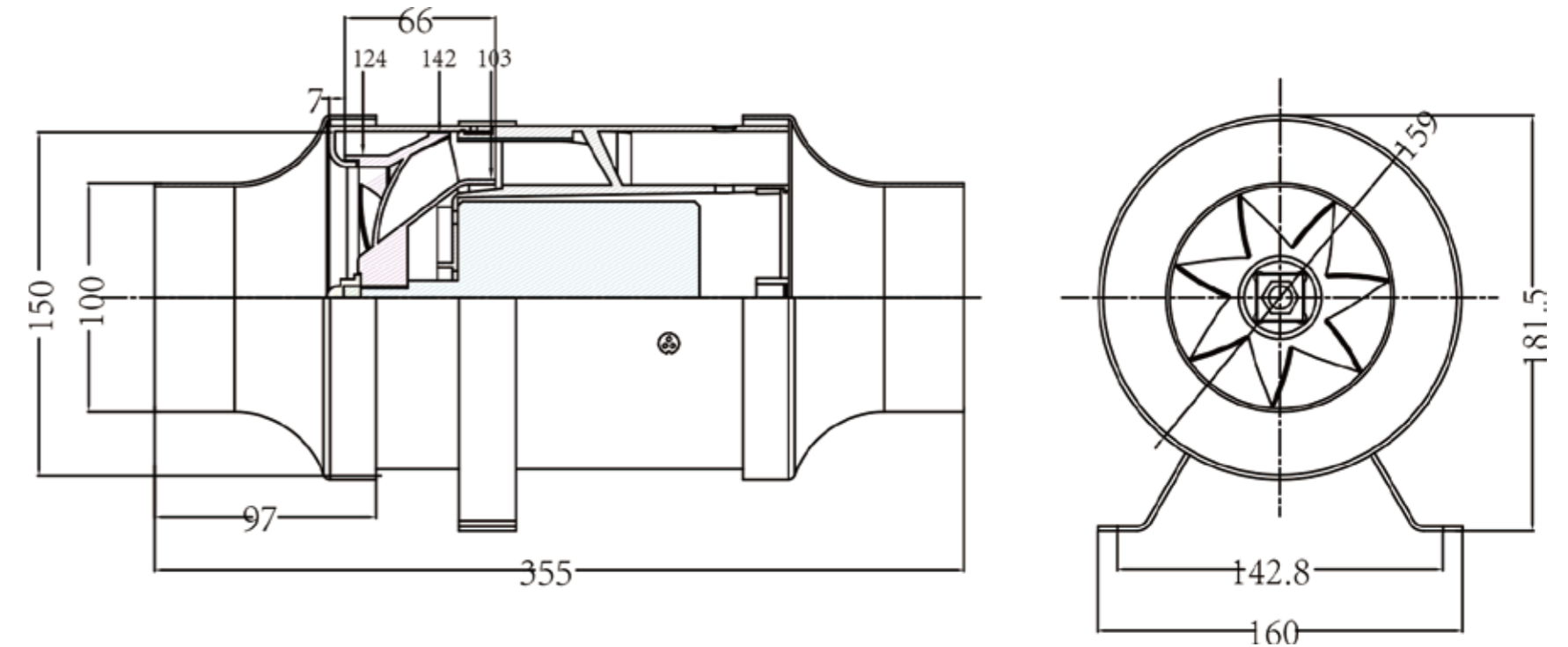


## Technical Specifications

Model	Voltage (V)	Frequency (Hz)	Maximum Flow Value (CFM)	Working Power (W)	Speed (RPM)	Noise [dB(A)]
LWDA-100(4")U-PWN-01	110-120	60	410	41	3350	52



## Product Drawing (mm)



# LWDA-100(4") Series

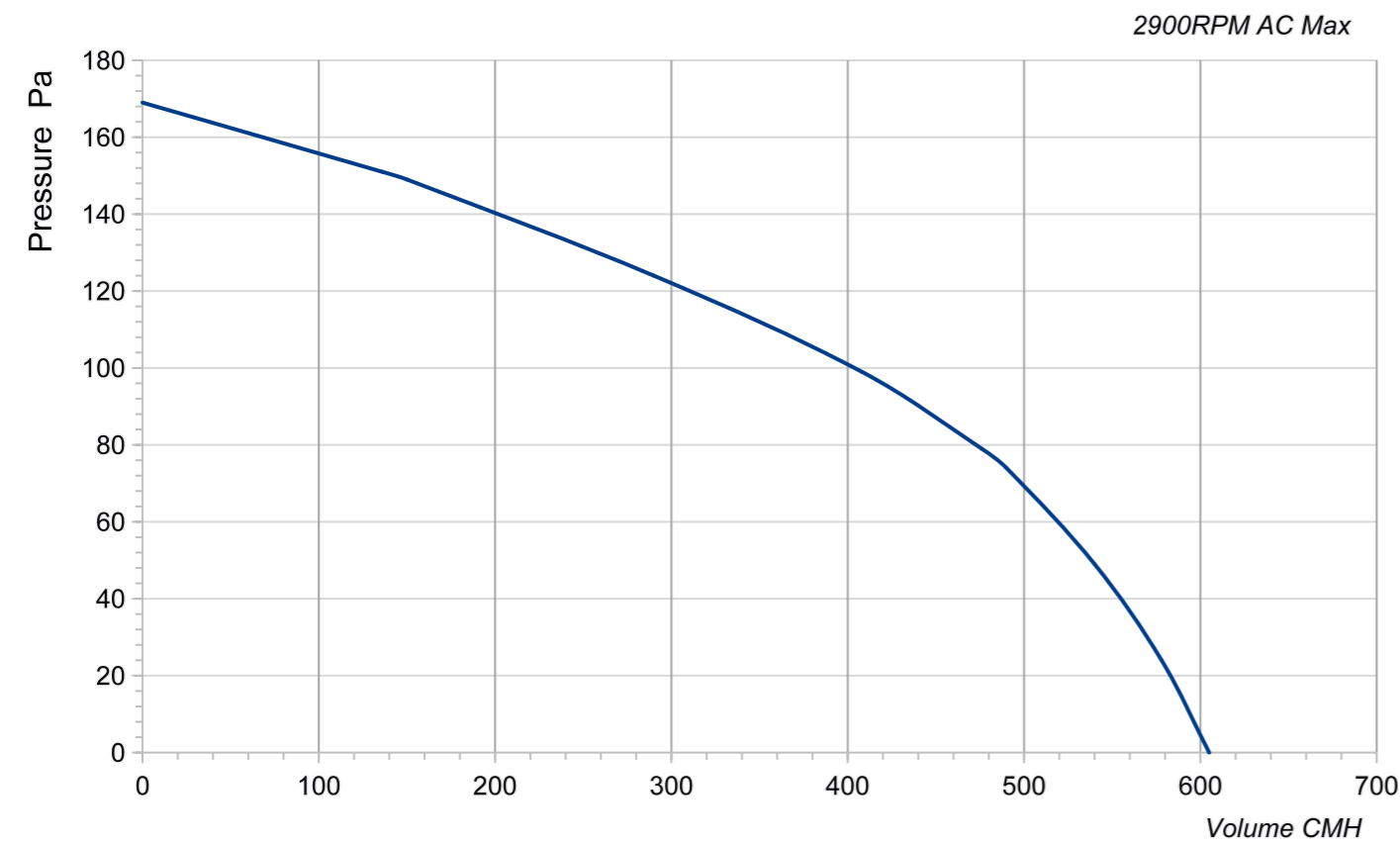
## Product Characteristic

- Material: Plastic
- Voltage: AC Technology
- Type of Operation: IP54
- Mode of Operation: S1
- Working Temp: 60 °C
- Speed Control Type: Constant Speed

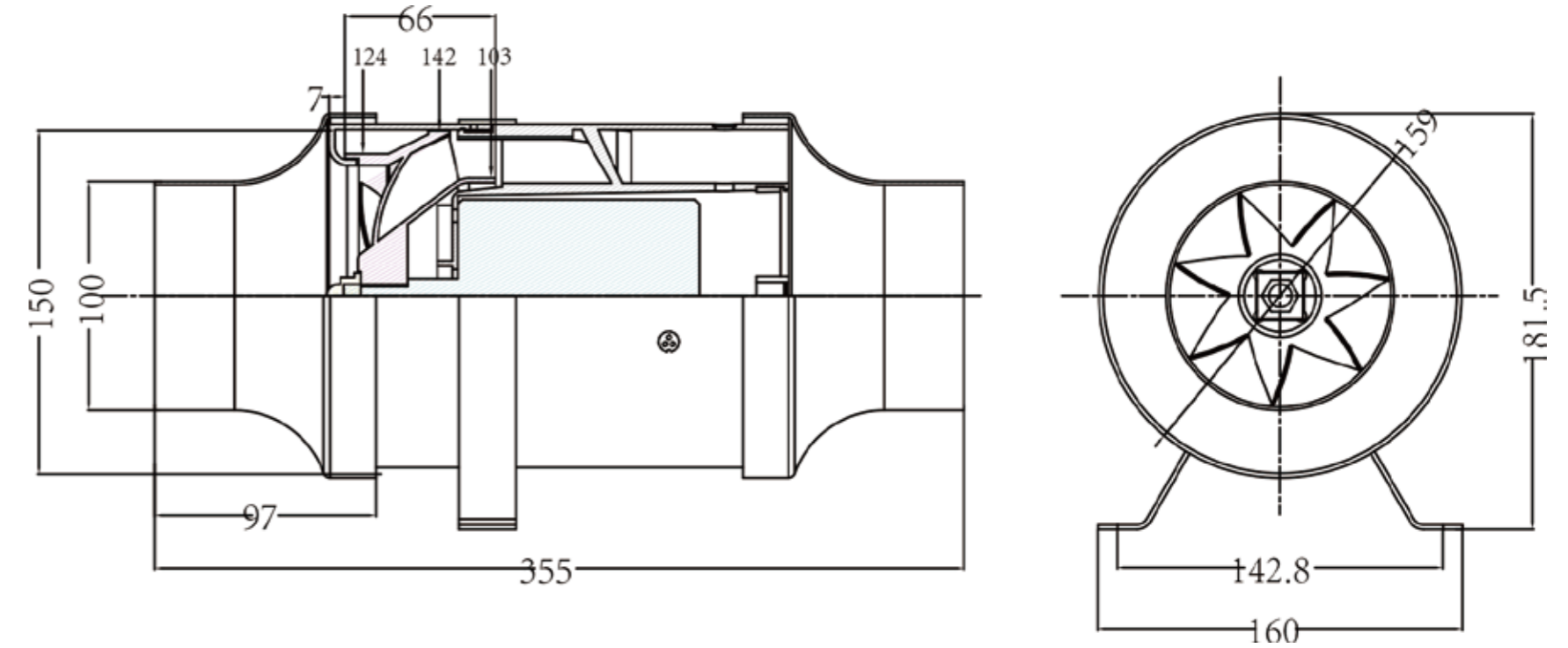


## Technical Specifications

Model	Voltage (V)	Frequency (Hz)	Maximum Flow Value (CMH)	Working Power (W)	Speed (RPM)	Noise [dB(A)]
LWDA-100(4")S-PWN-02	220-240	50/60	605	41	2900	51



## Product Drawing (mm)



# LWDA-125(5") Series

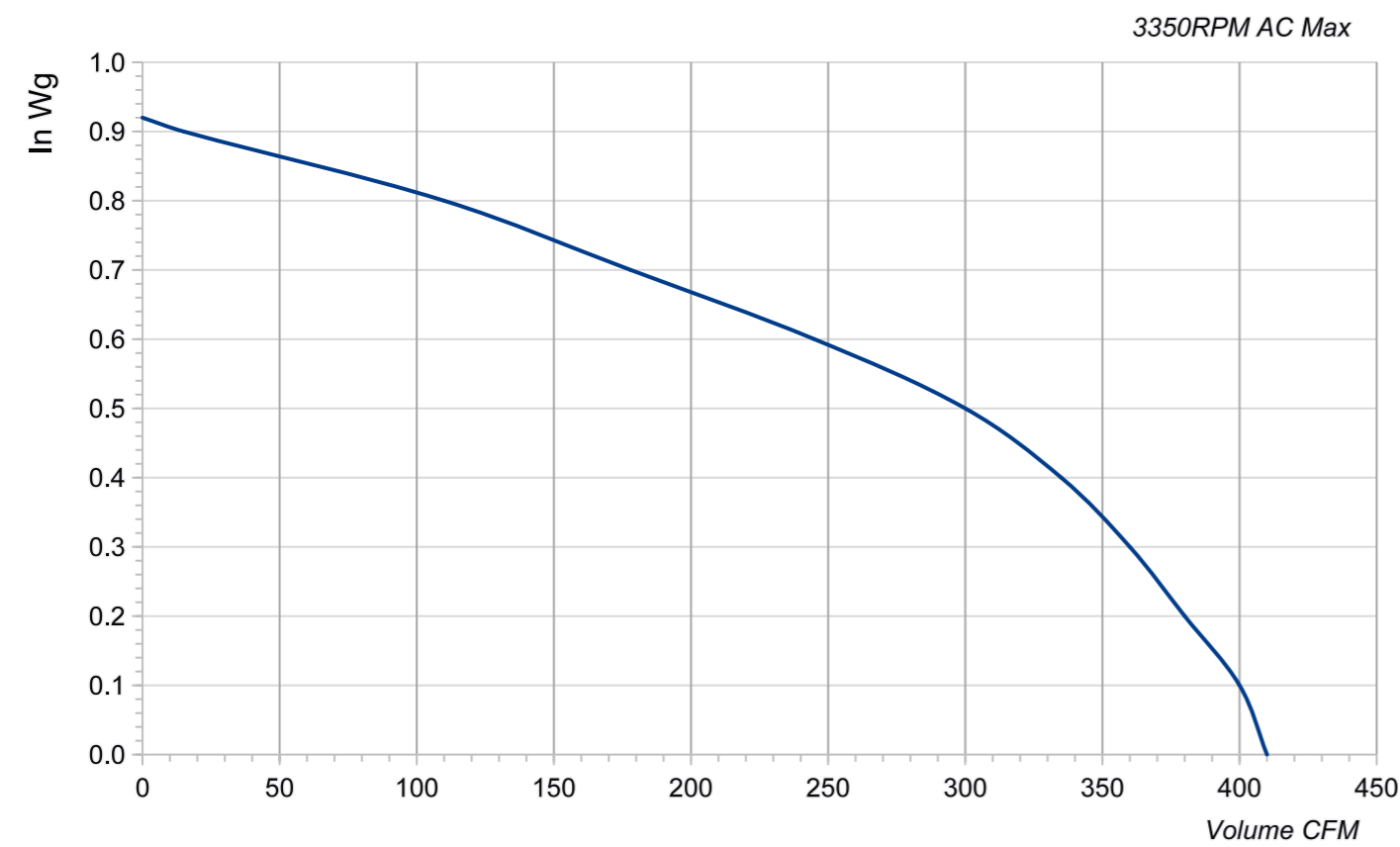
## Product Characteristic

- Material: Plastic
- Voltage: AC Technology
- Type of Operation: IP54
- Mode of Operation: S1
- Working Temp: 60 C
- Speed Control Type: Constant Speed

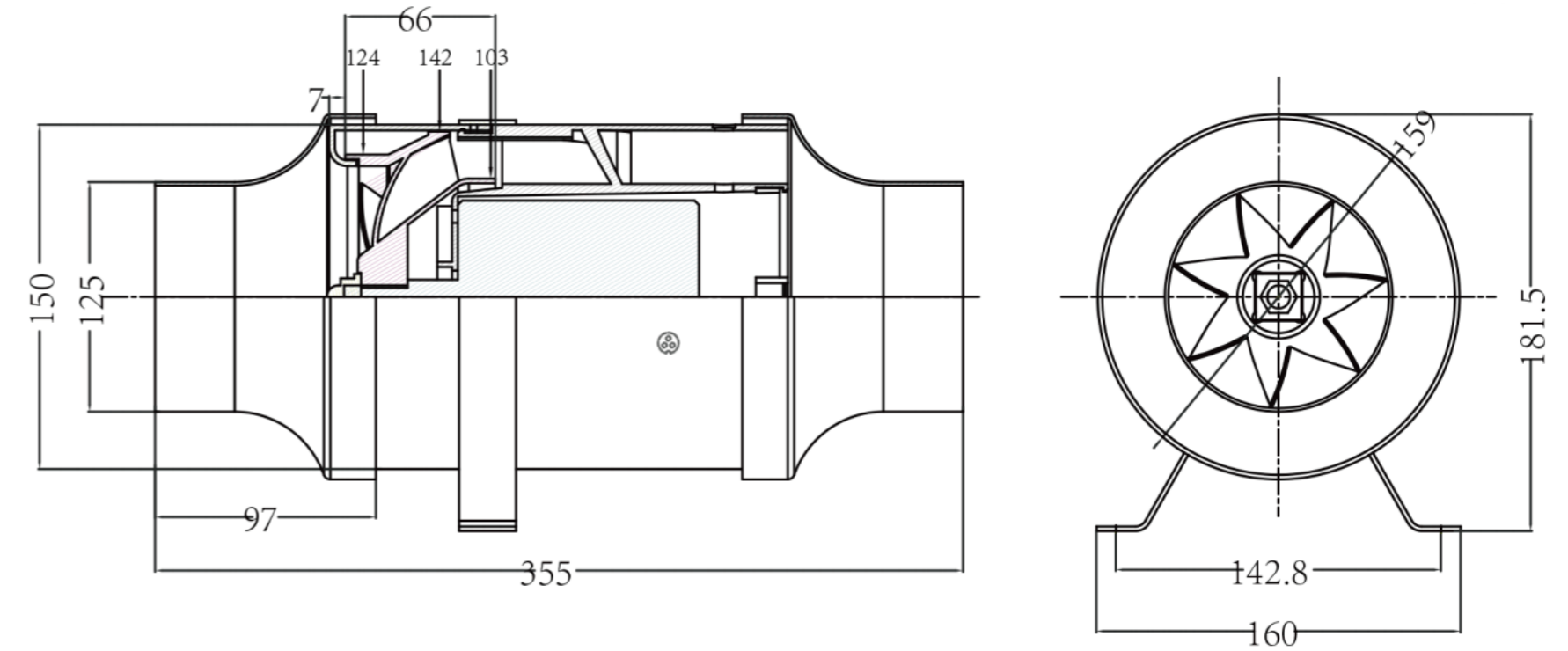


## Technical Specifications

Model	Voltage (V)	Frequency (Hz)	Maximum Flow Value (CFM)	Working Power (W)	Speed (RPM)	Noise [dB(A)]
LWDA-125(5")U-PWN-01	110-120	60	410	41	3350	52



## Product Drawing (mm)



# LWDA-125(5") Series

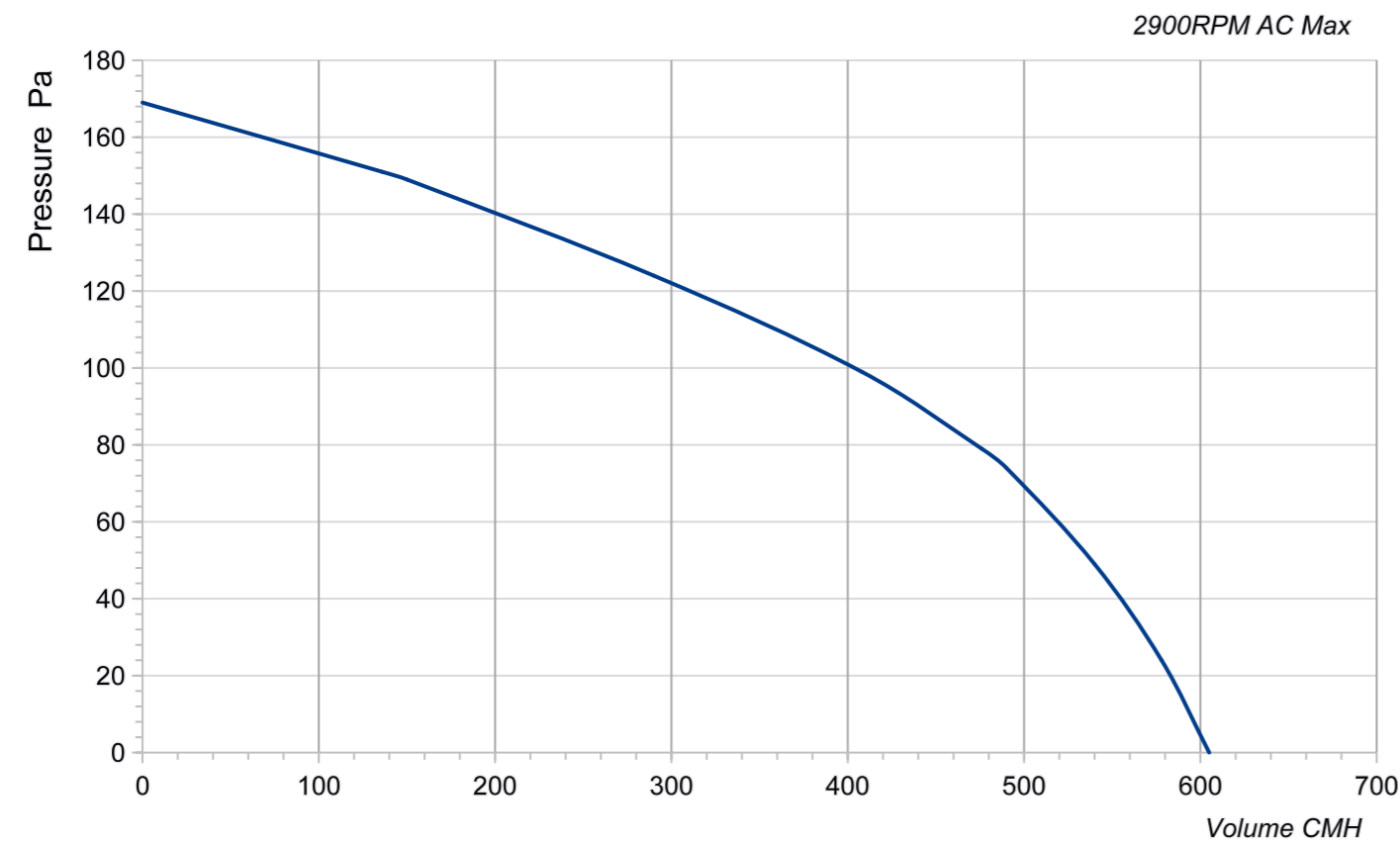
## Product Characteristic

- Material: Plastic
- Voltage: AC Technology
- Type of Operation: IP54
- Mode of Operation: S1
- Working Temp: 60 C
- Speed Control Type: Constant Speed

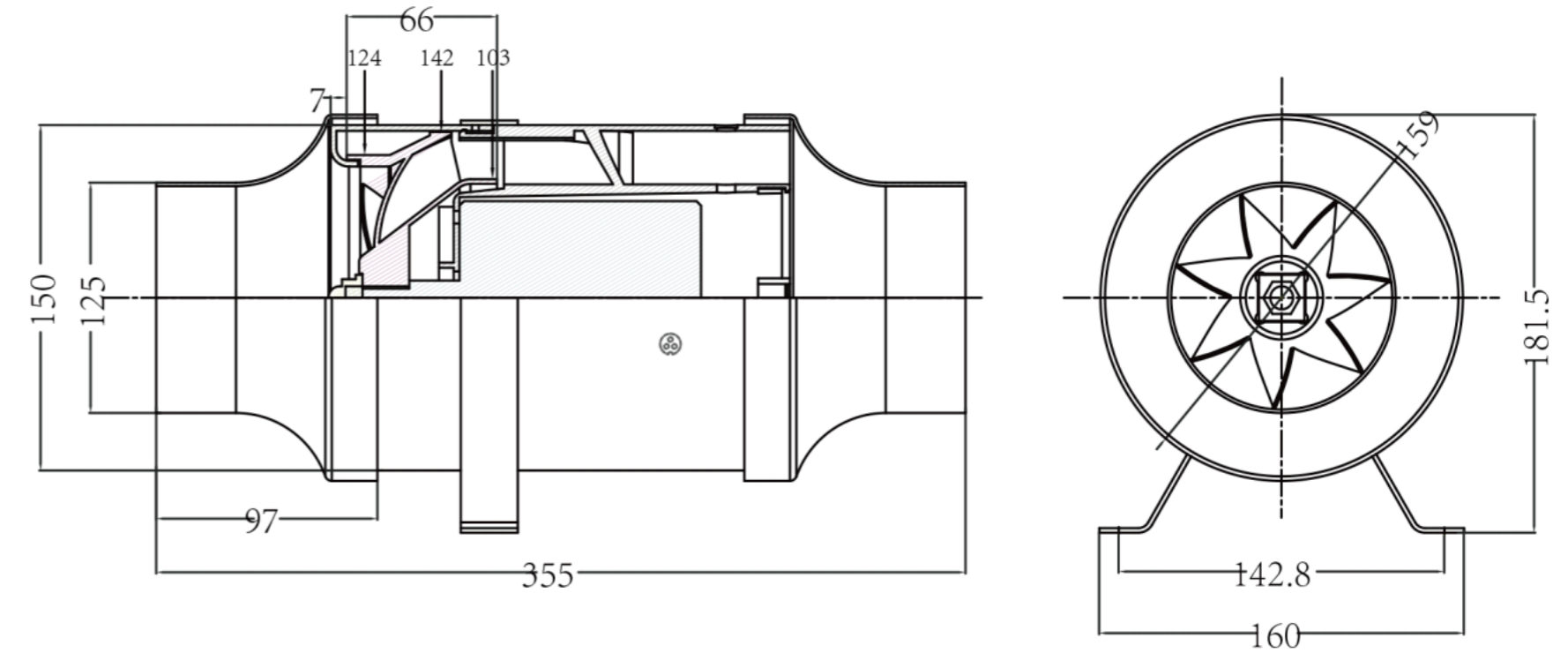


## Technical Specifications

Model	Voltage (V)	Frequency (Hz)	Maximum Flow Value (CMH)	Working Power (W)	Speed (RPM)	Noise [dB(A)]
LWDA-125(5'')S-PWN-02	220-240	50/60	605	41	2900	51



## Product Drawing (mm)



# LWDA-150(6") Series

## Product Characteristic

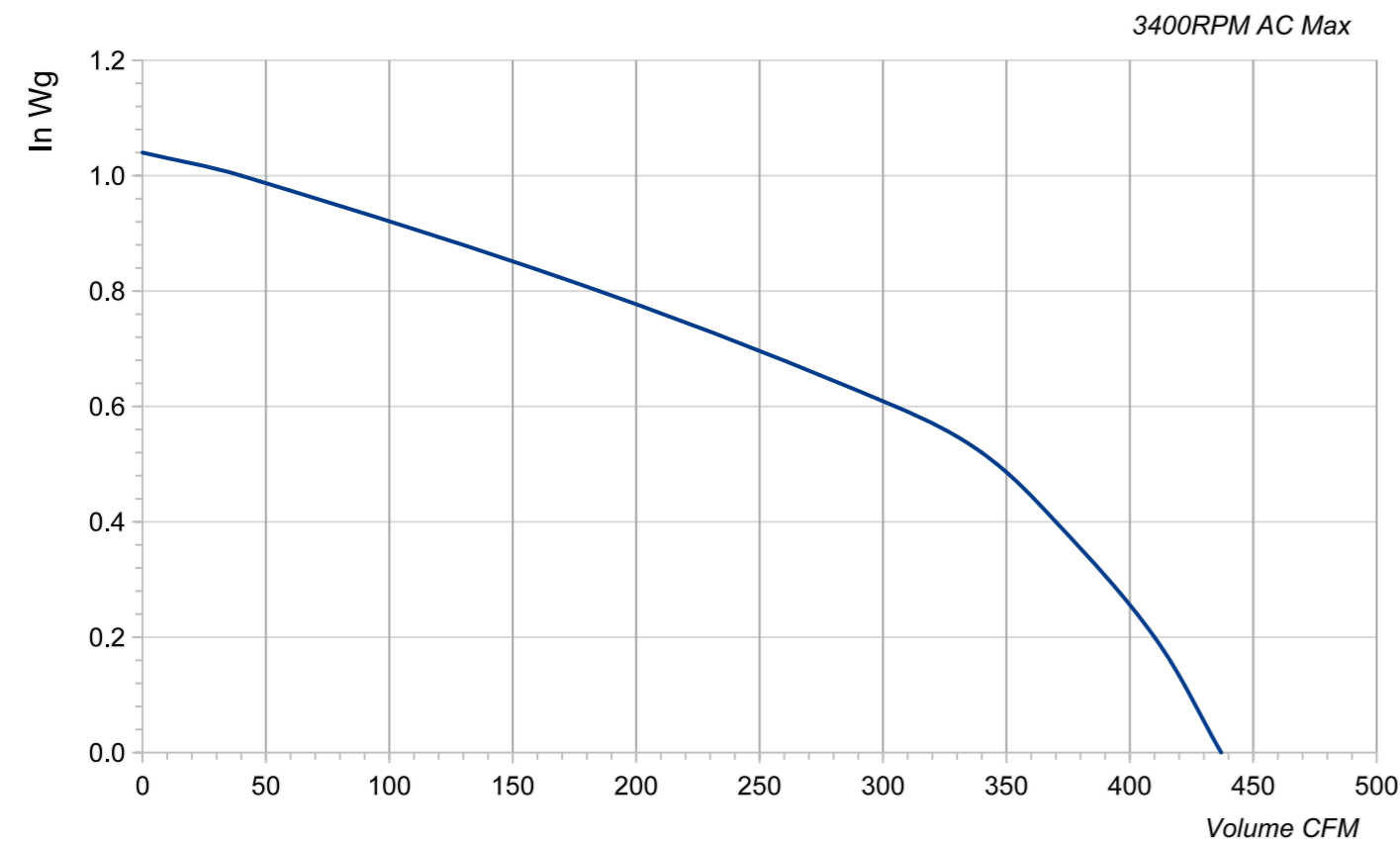
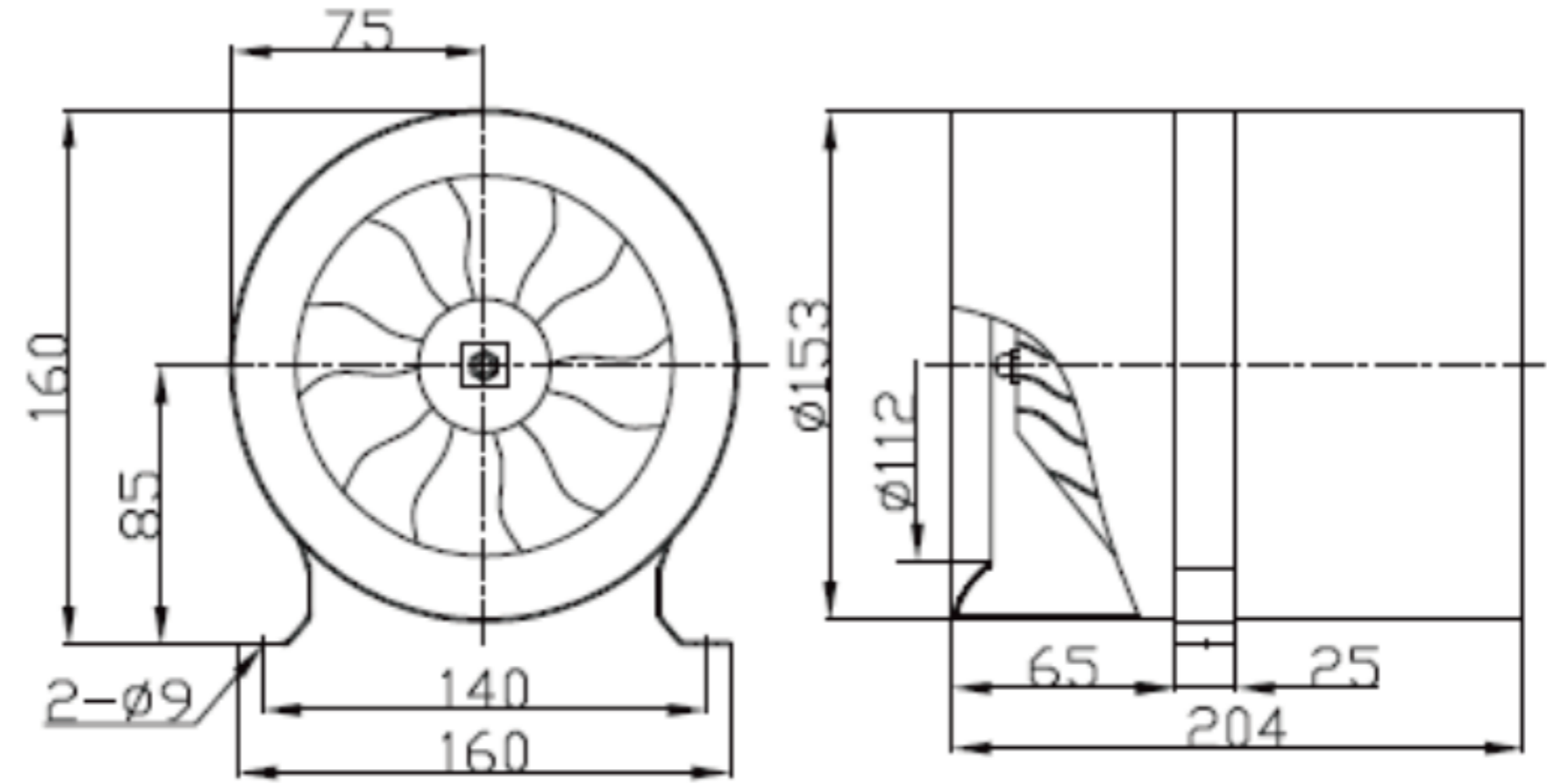
- Material: Metal
- Voltage: AC Technology
- Type of Operation: IP54
- Mode of Operation: S1
- Working Temp: 60 C
- Speed Control Type: Constant Speed



## Technical Specifications

Model	Voltage (V)	Frequency (Hz)	Maximum Flow Value (CFM)	Working Power (W)	Speed (RPM)	Noise [dB(A)]
LWDA-150(6")U-MWN-01	110-120	60	437	55	3400	58

## Product Drawing (mm)



# LWDA-150(6") Series

## Product Characteristic

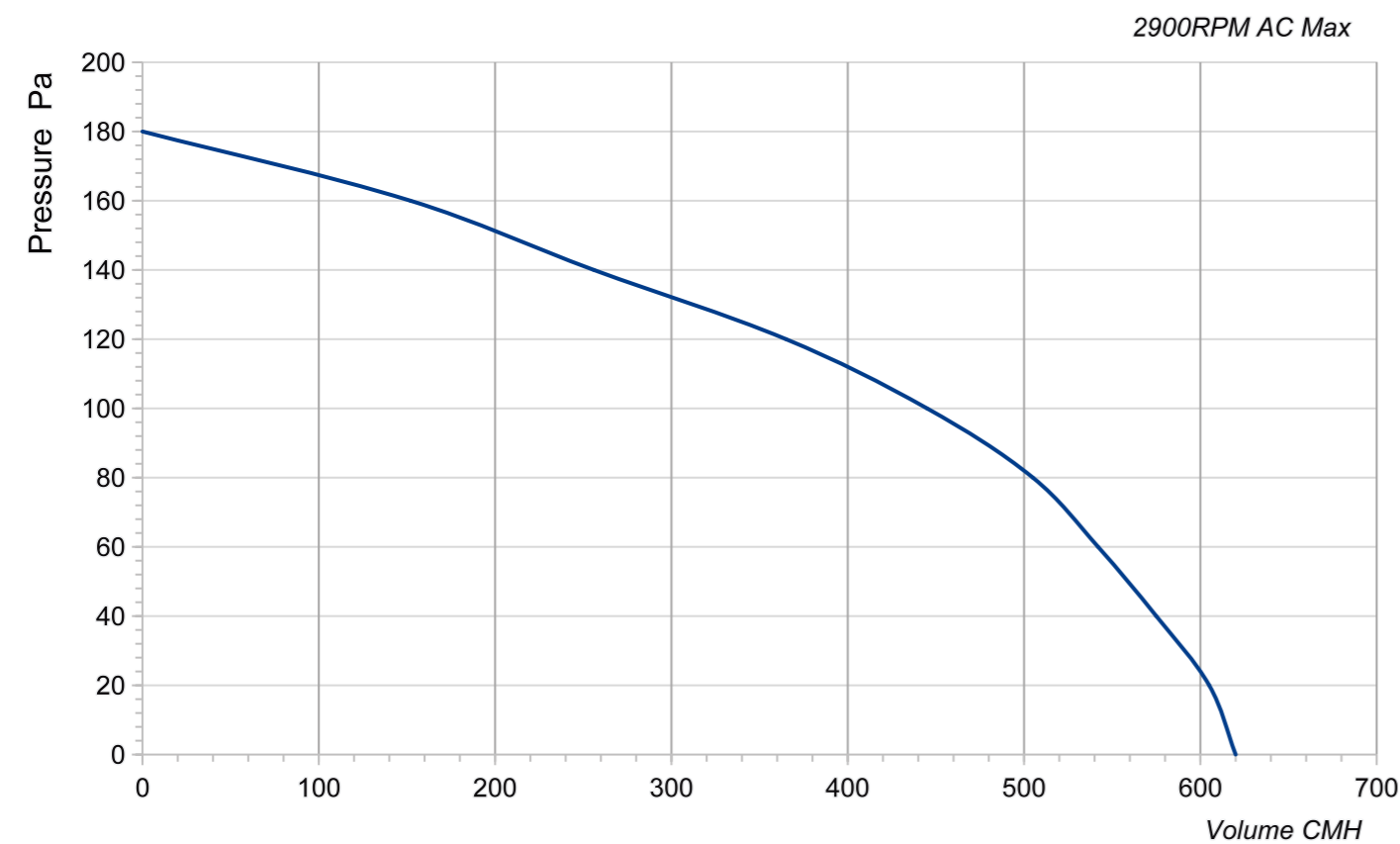
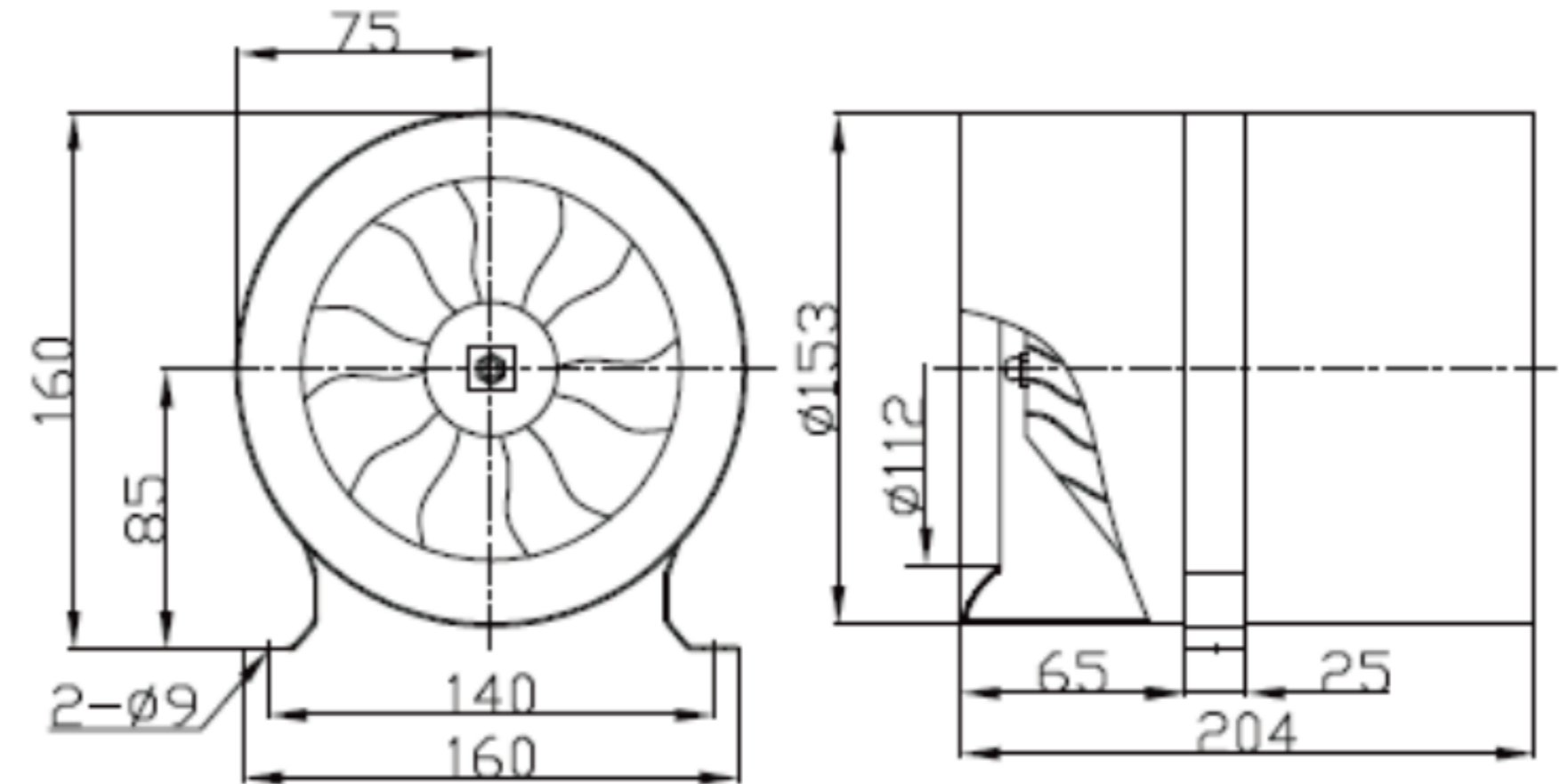
- Material: Metal
- Voltage: AC Technology
- Type of Operation: IP54
- Mode of Operation: S1
- Working Temp: 60 C
- Speed Control Type: Constant Speed



## Technical Specifications

Model	Voltage (V)	Frequency (Hz)	Maximum Flow Value (CMH)	Working Power (W)	Speed (RPM)	Noise [dB(A)]
LWDA-150(6")S-MWN-02	220-240	50	620	41	2900	55

## Product Drawing (mm)



# LWDA-200(8") Series

## Product Characteristic

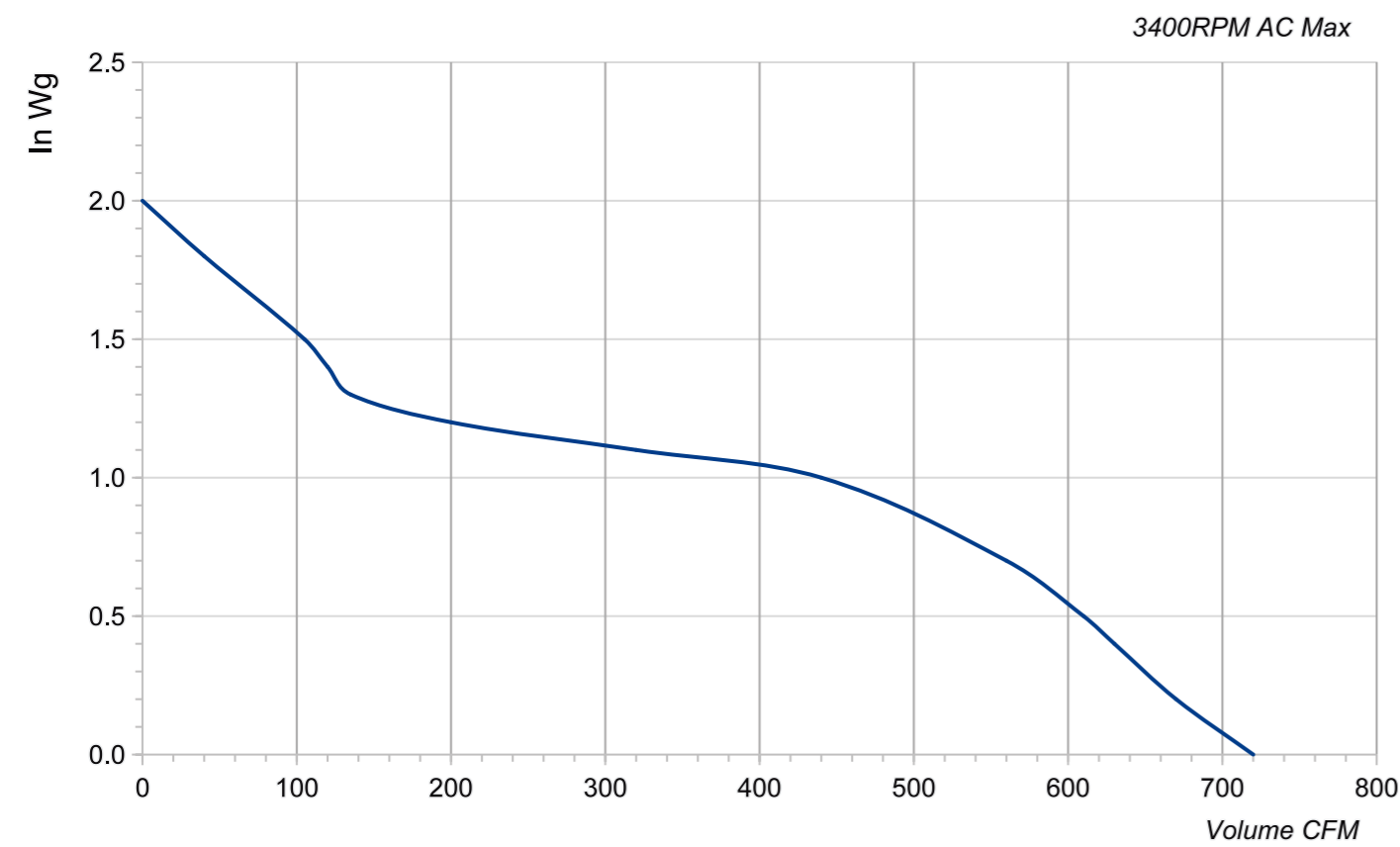
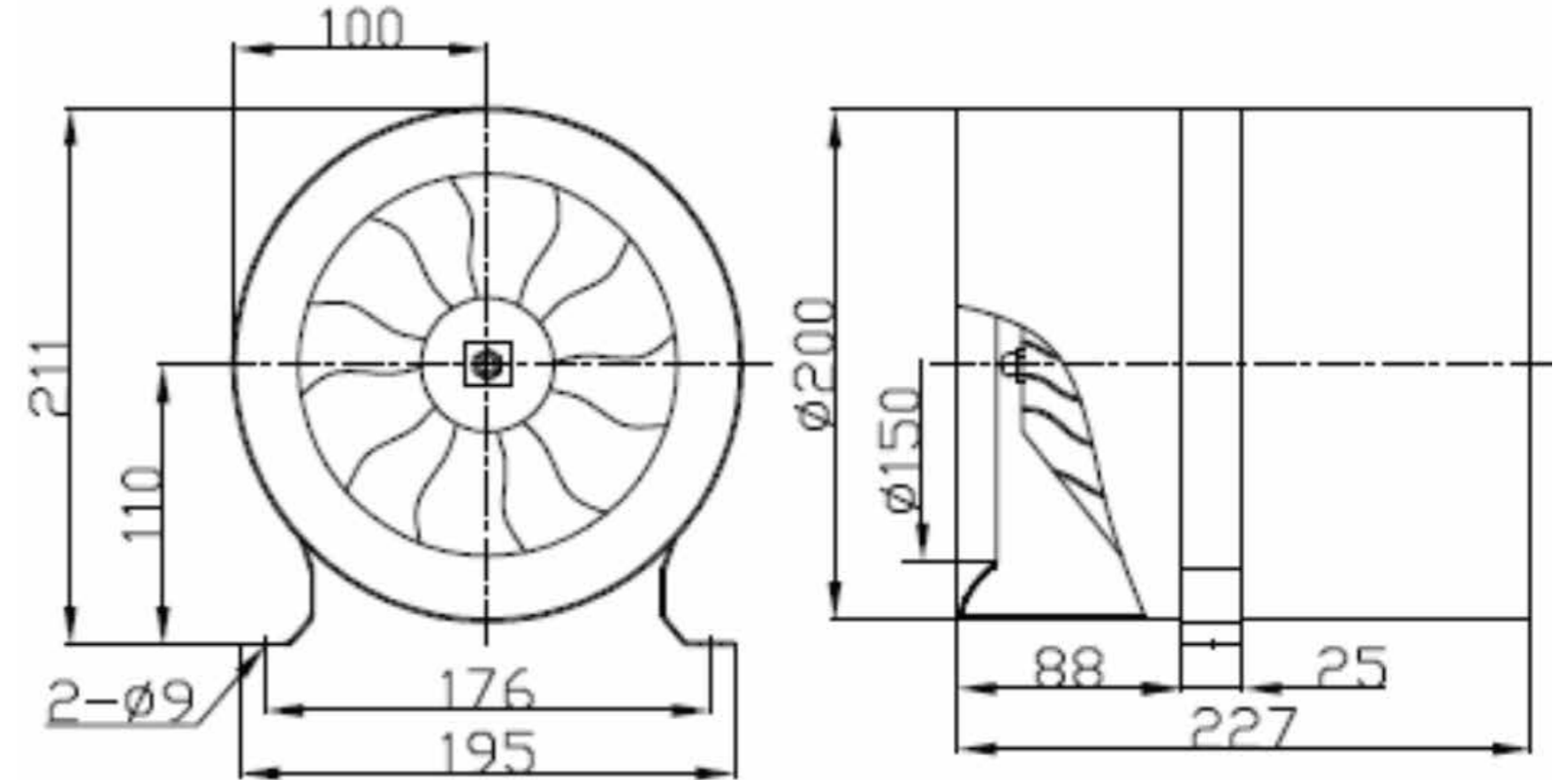
- Material: Metal
- Voltage: AC Technology
- Type of Operation: IP54
- Mode of Operation: S1
- Working Temp: 60 C
- Speed Control Type: Constant Speed



## Technical Specifications

Model	Voltage (V)	Frequency (Hz)	Maximum Flow Value (CFM)	Working Power (W)	Speed (RPM)	Noise [dB(A)]
LWDA-200(8")U-MWN-01	110-120	60	720	179	3400	65

## Product Drawing (mm)



# LWDA-200(8") Series

## Product Characteristic

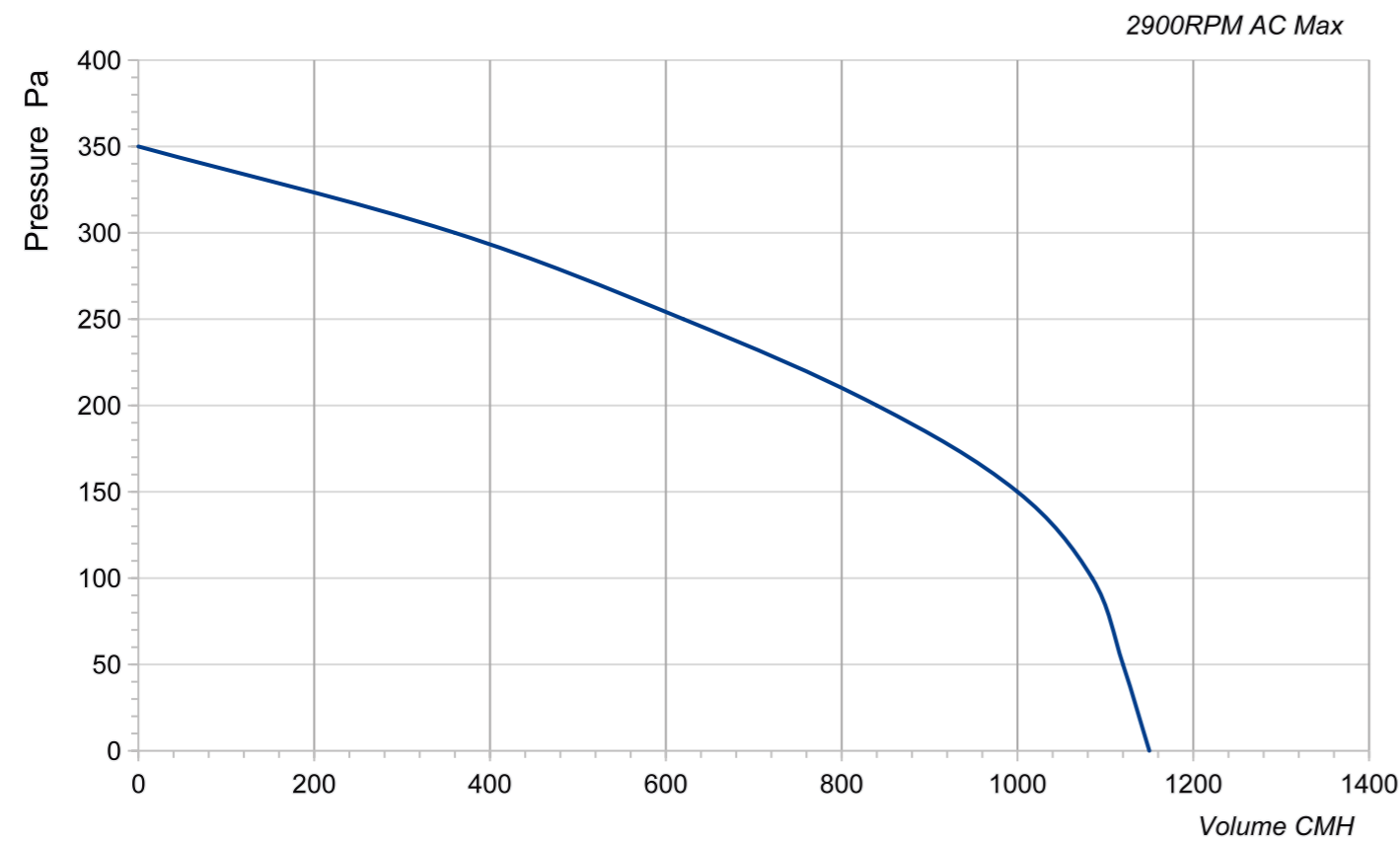
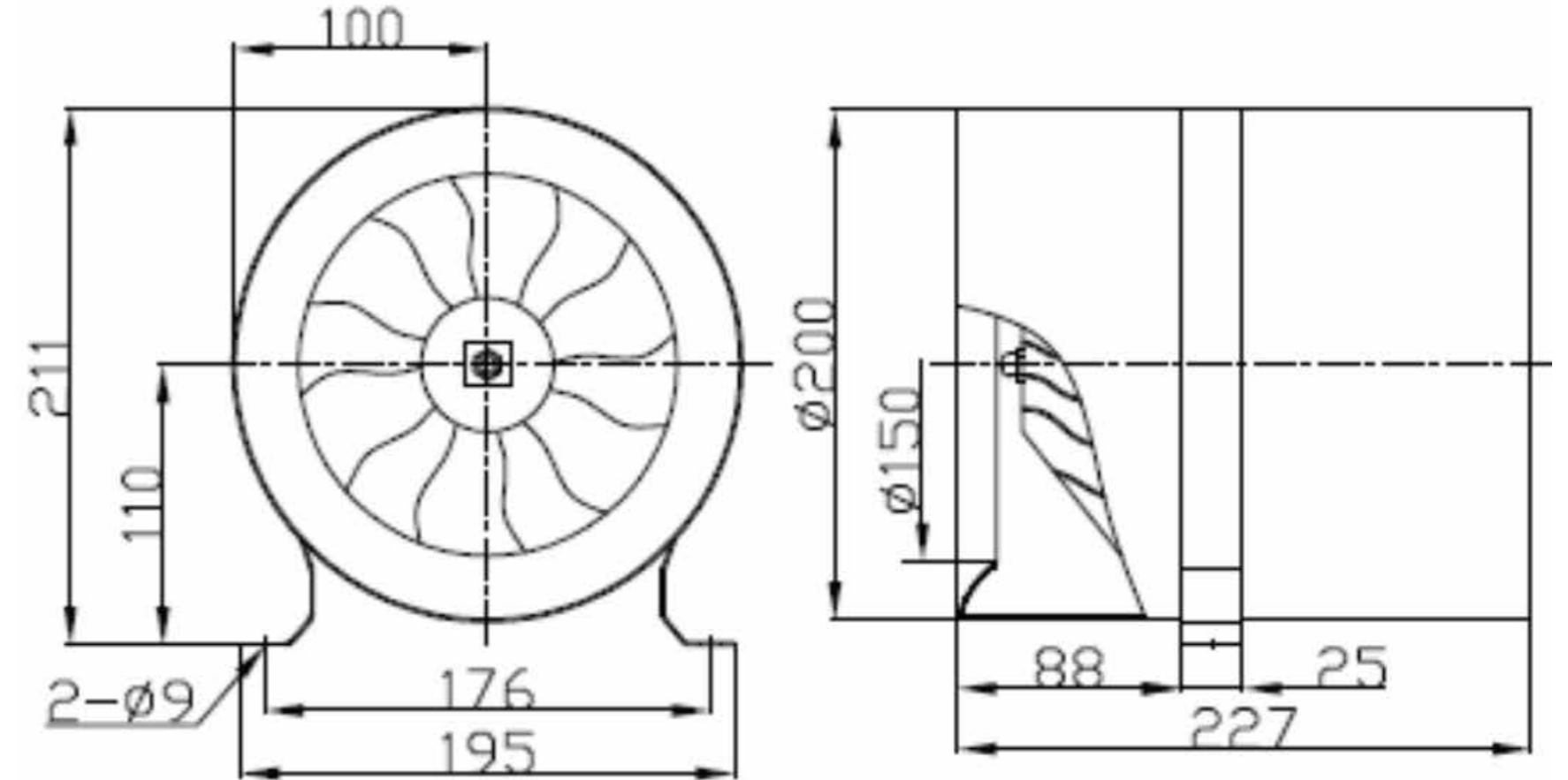
- Material: Metal
- Voltage: AC Technology
- Type of Operation: IP54
- Mode of Operation: S1
- Working Temp: 60 C
- Speed Control Type: Constant Speed



## Technical Specifications

Model	Voltage (V)	Frequency (Hz)	Maximum Flow Value (CMH)	Working Power (W)	Speed (RPM)	Noise [dB(A)]
LWDA-200(8")S-MWN-02	220-240	50	1150	143	2900	59

## Product Drawing (mm)



# LWDA-250(10") Series

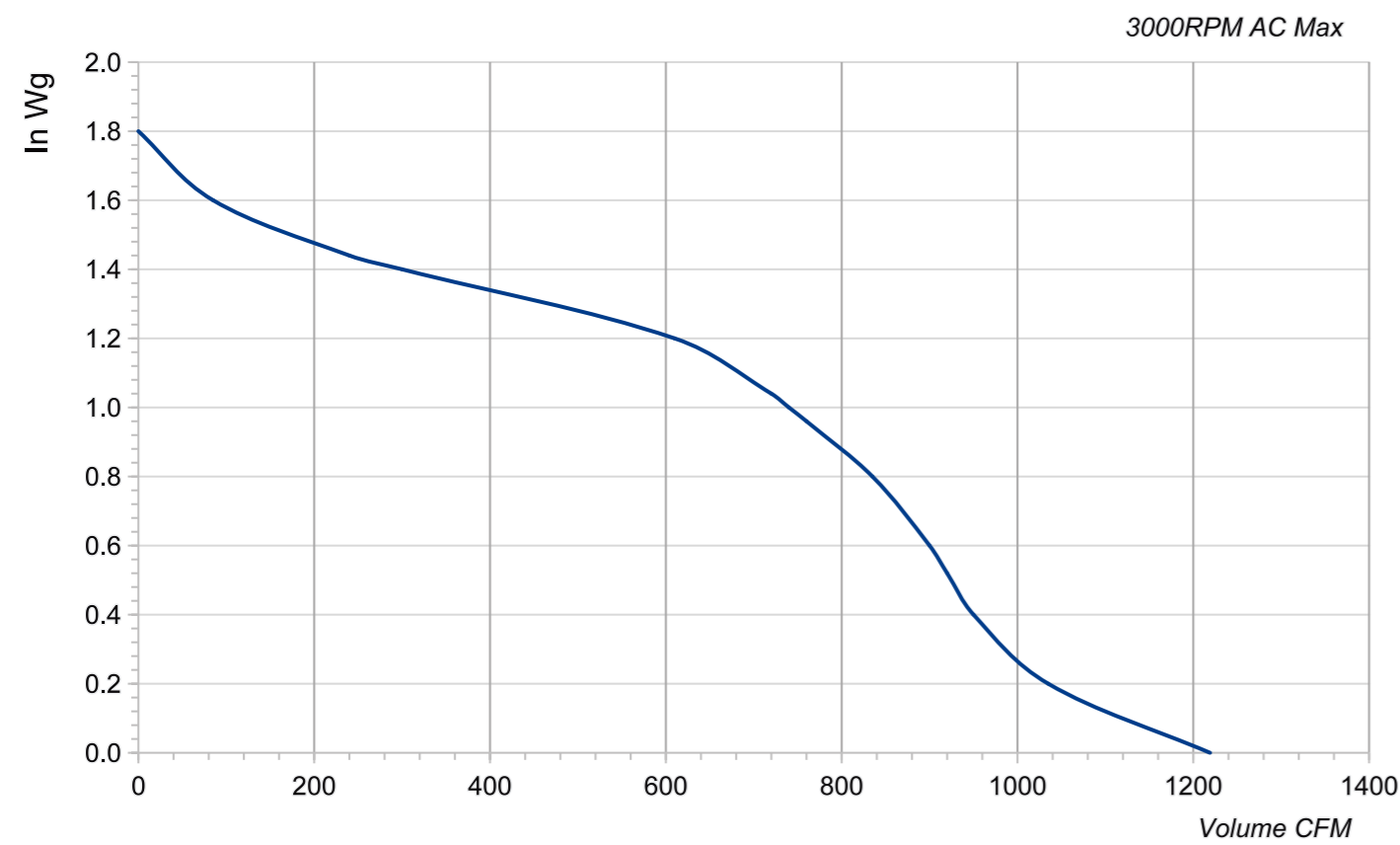
## Product Characteristic

- Material: Metal
- Voltage: AC Technology
- Type of Operation: IP54
- Mode of Operation: S1
- Working Temp: 60 C
- Speed Control Type: Constant Speed

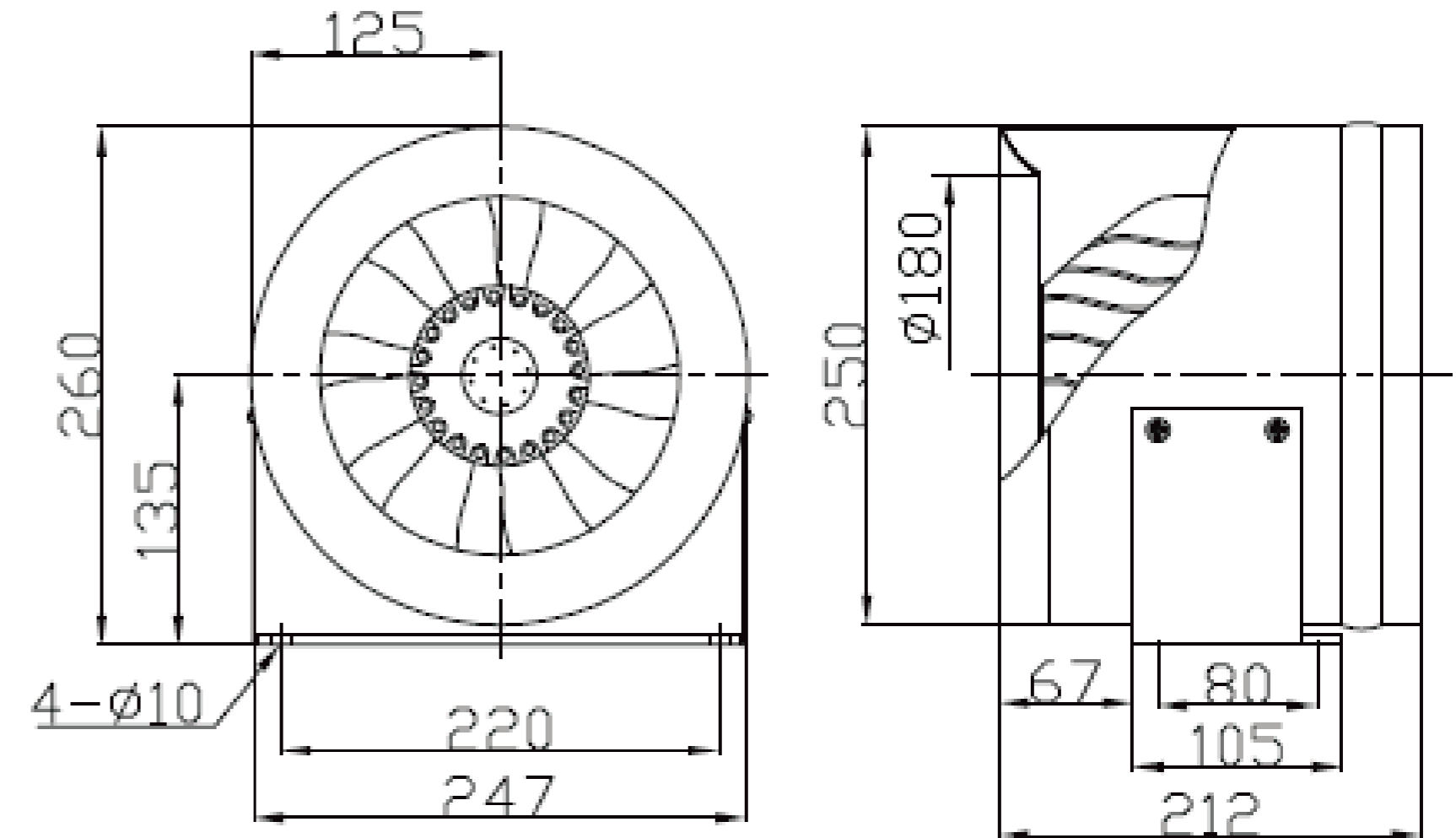


## Technical Specifications

Model	Voltage (V)	Frequency (Hz)	Maximum Flow Value (CFM)	Working Power (W)	Speed (RPM)	Noise [dB(A)]
LWDA-250(10")U-MWN-01	110-120	60	1219	228	3000	69



## Product Drawing (mm)



# LWDA-250(10") Series

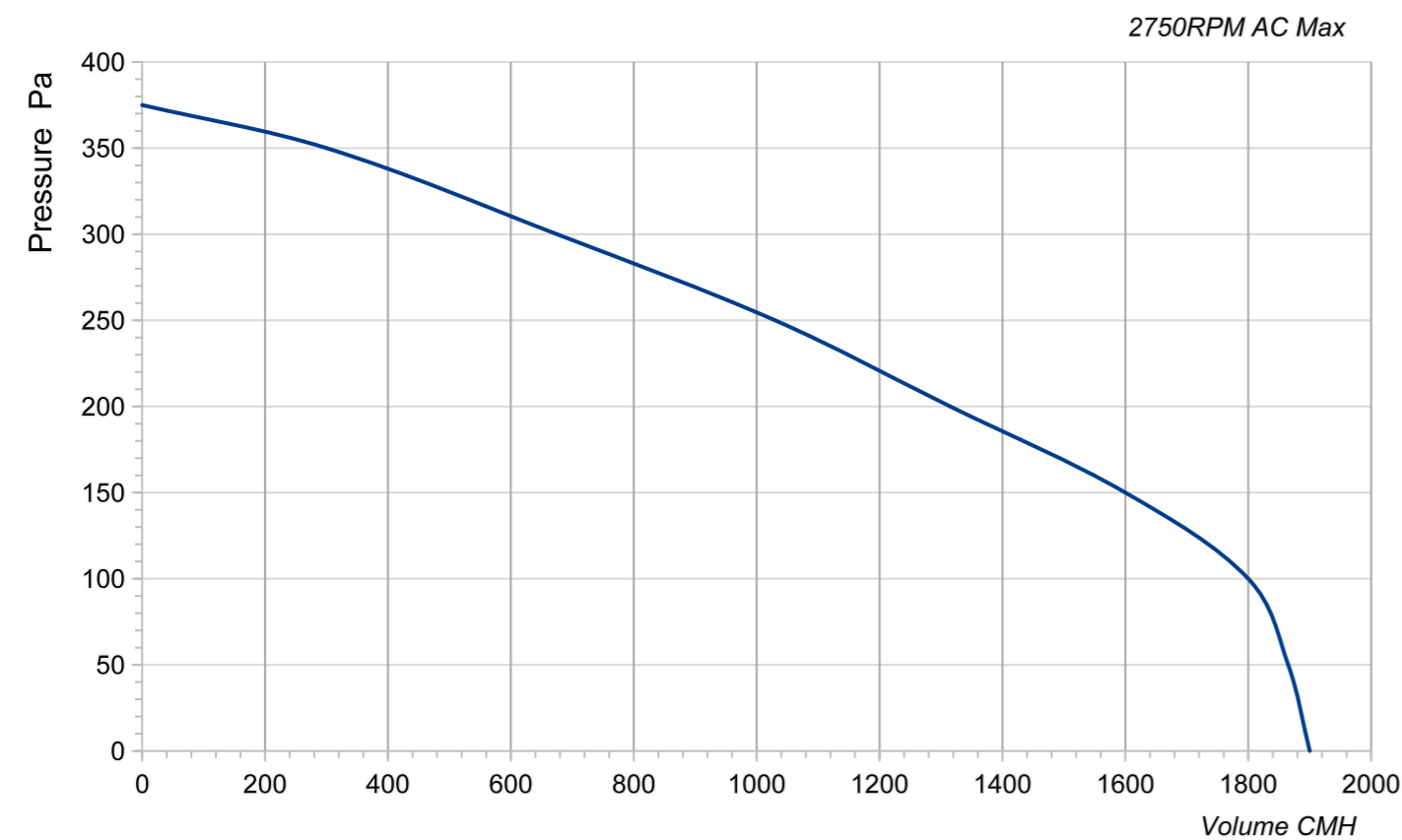
## Product Characteristic

- Material: Metal
- Voltage: AC Technology
- Type of Operation: IP54
- Mode of Operation: S1
- Working Temp: 60 C
- Speed Control Type: Constant Speed

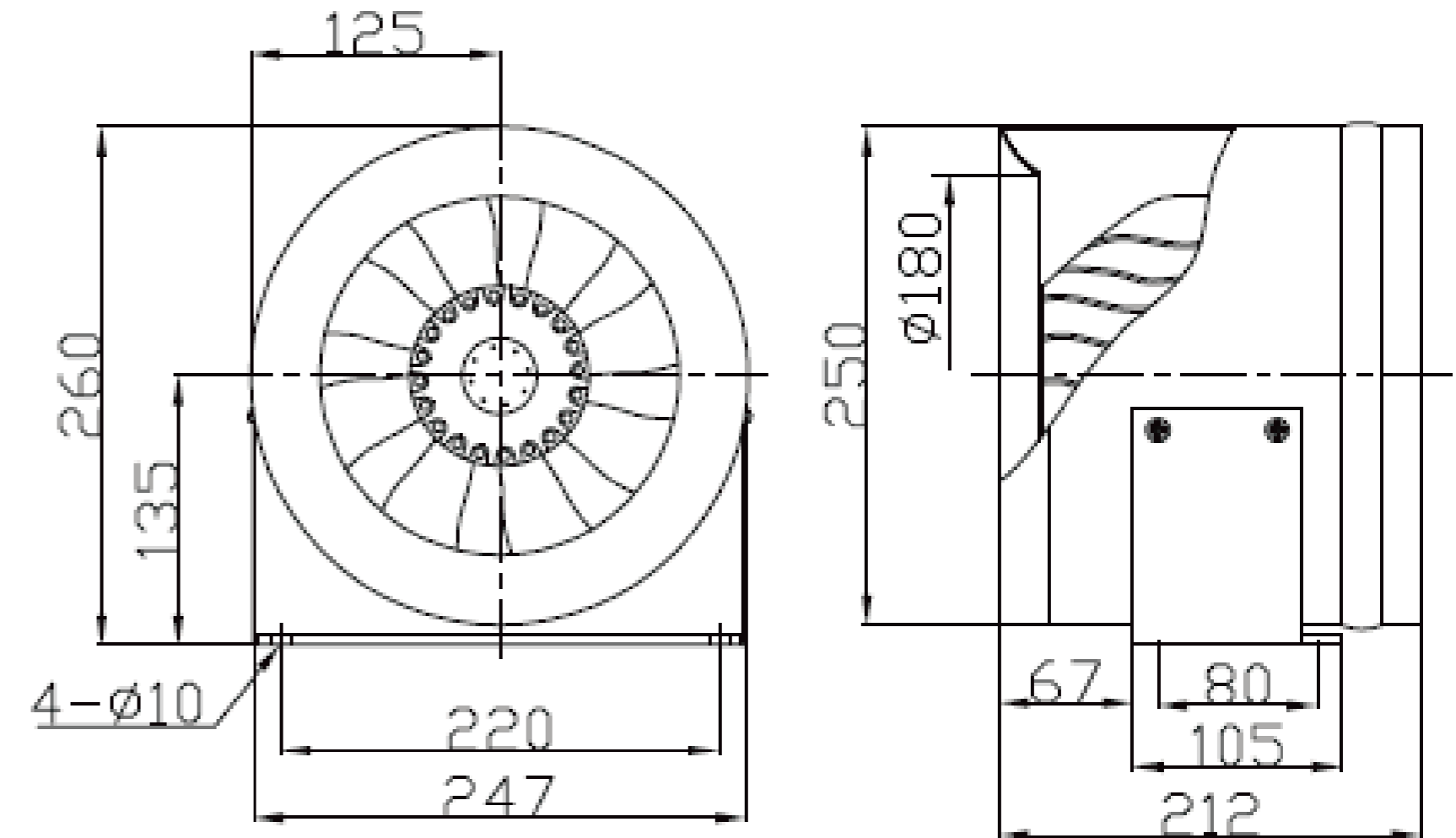


## Technical Specifications

Model	Voltage (V)	Frequency (Hz)	Maximum Flow Value (CMH)	Working Power (W)	Speed (RPM)	Noise [dB(A)]
LWDA-250(10")S-MWN-02	220-240	50	1900	162	2750	68



## Product Drawing (mm)



# LWDA-300(12") Series

## Product Characteristic

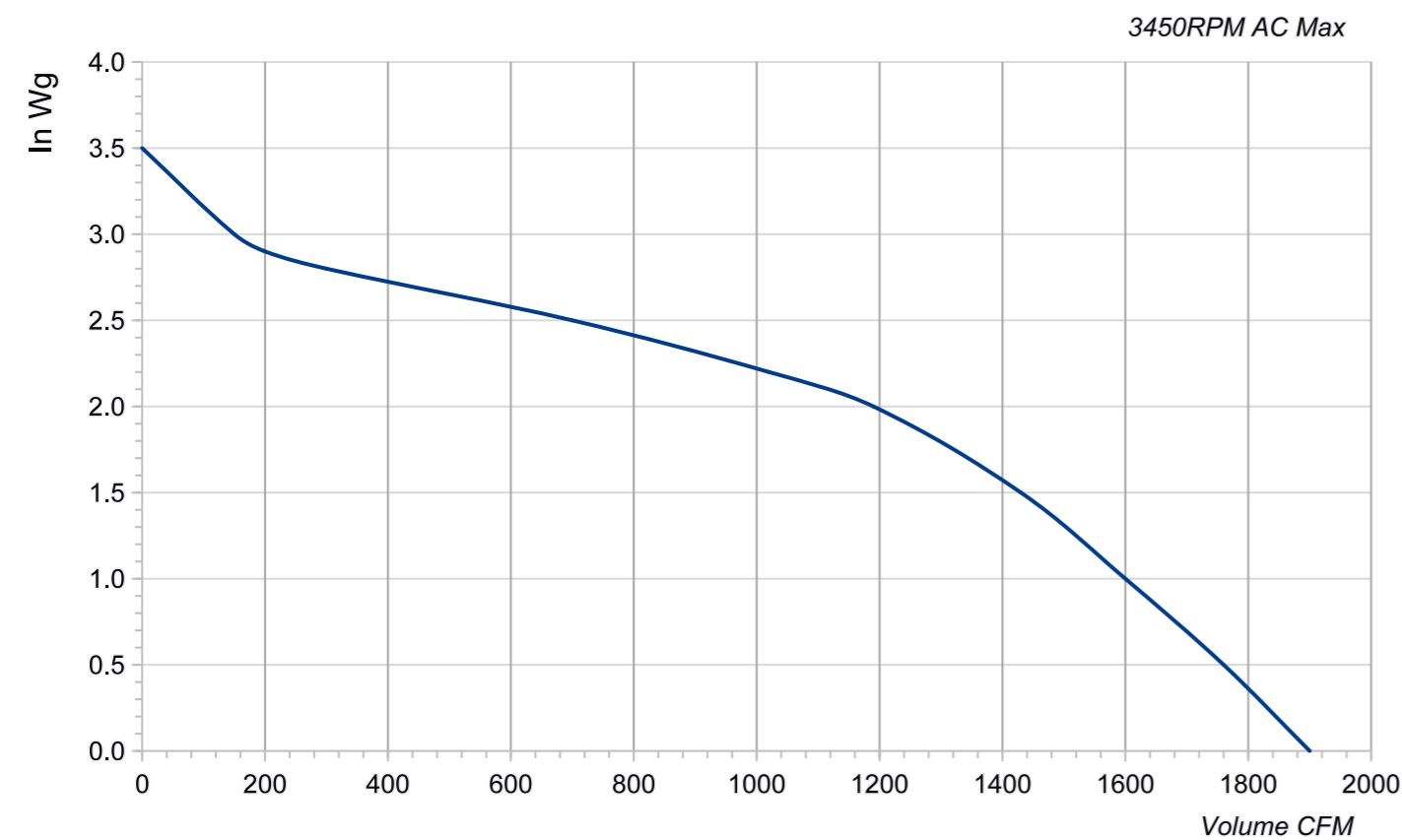
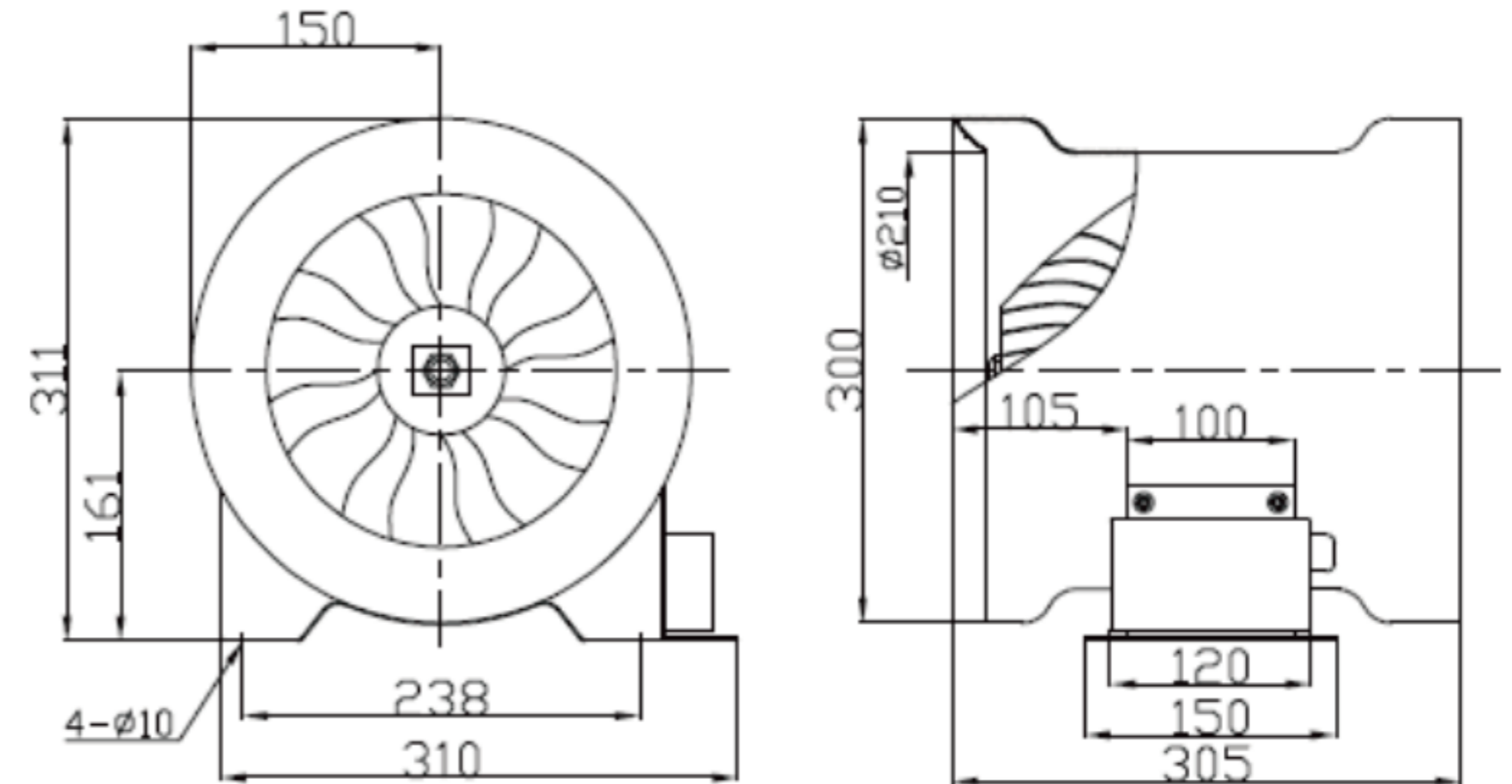
- Material: Metal
- Voltage: AC Technology
- Type of Operation: IP54
- Mode of Operation: S1
- Working Temp: 60 C
- Speed Control Type: Constant Speed



## Technical Specifications

Model	Voltage (V)	Frequency (Hz)	Maximum Flow Value (CFM)	Working Power (W)	Speed (RPM)	Noise [dB(A)]
LWDA-300(12")U-MWN-01	110-120	60	1900	489	3450	78

## Product Drawing (mm)



# LWDA-300(12") Series

## Product Characteristic

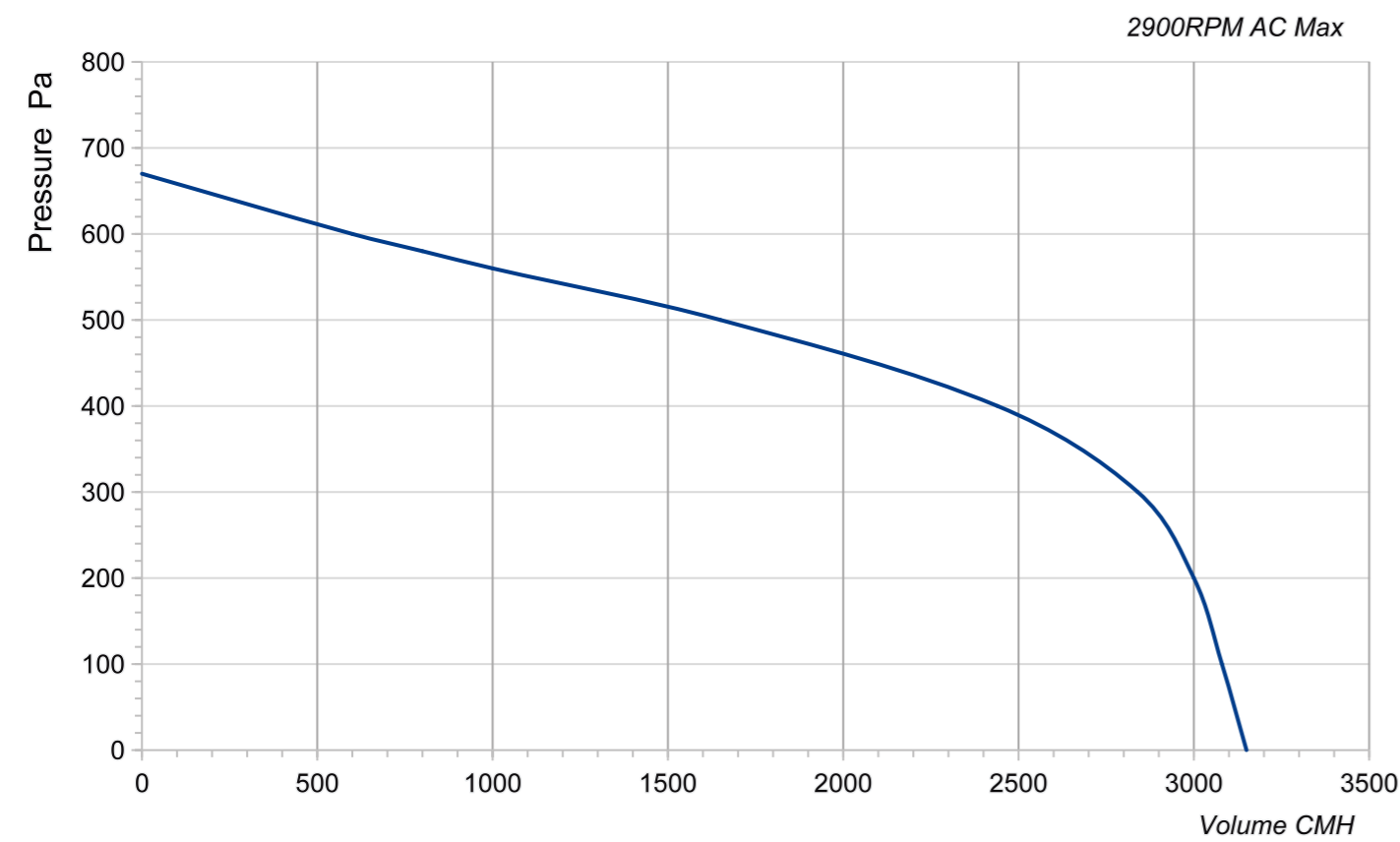
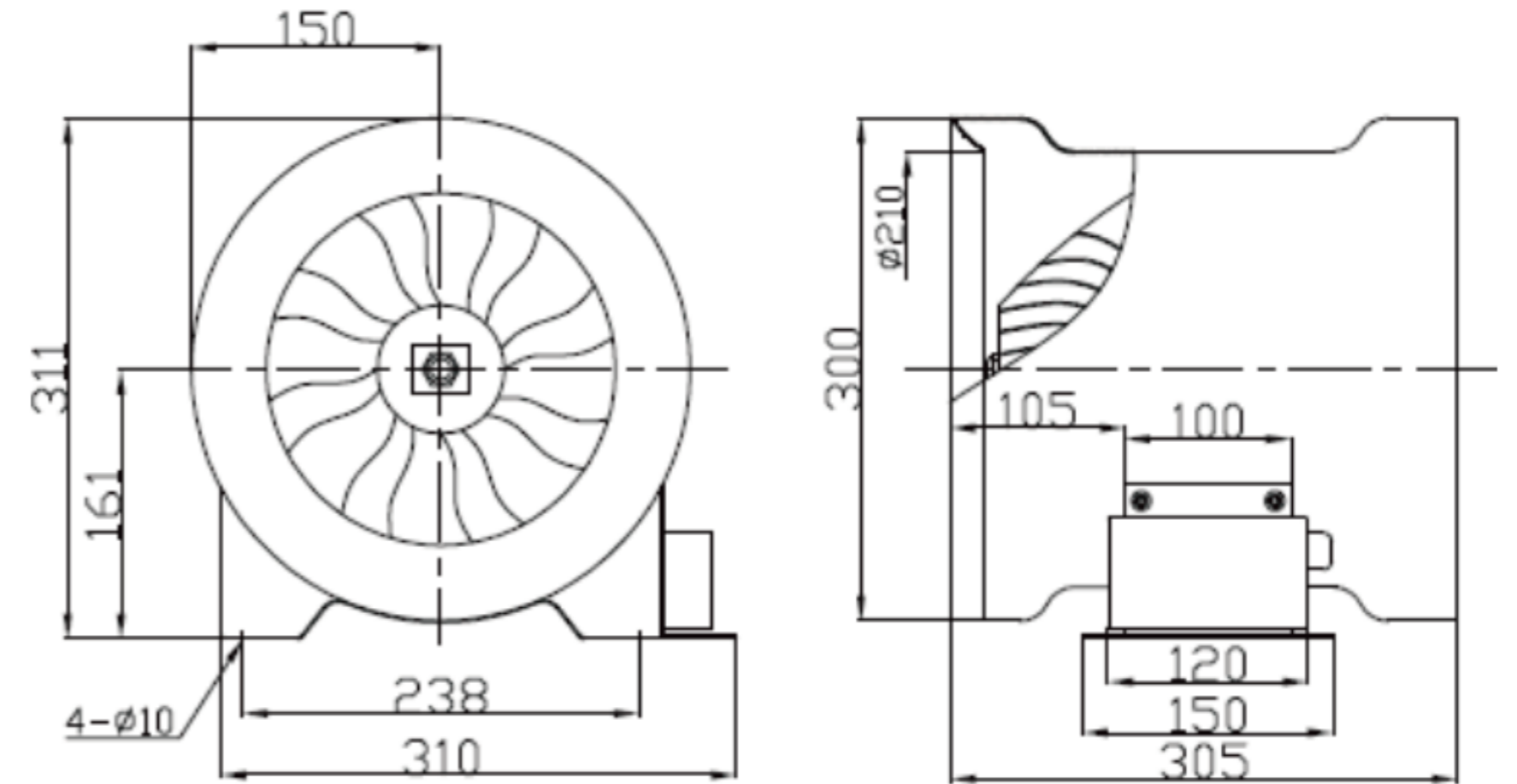
- Material: Metal
- Voltage: AC Technology
- Type of Operation: IP54
- Mode of Operation: S1
- Working Temp: 60 C
- Speed Control Type: Constant Speed



## Technical Specifications

Model	Voltage (V)	Frequency (Hz)	Maximum Flow Value (CMH)	Working Power (W)	Speed (RPM)	Noise [dB(A)]
LWDA-300(12")S-MWN-02	220-240	50	3150	320	2900	72

## Product Drawing (mm)



# LWDA-350(14") Series

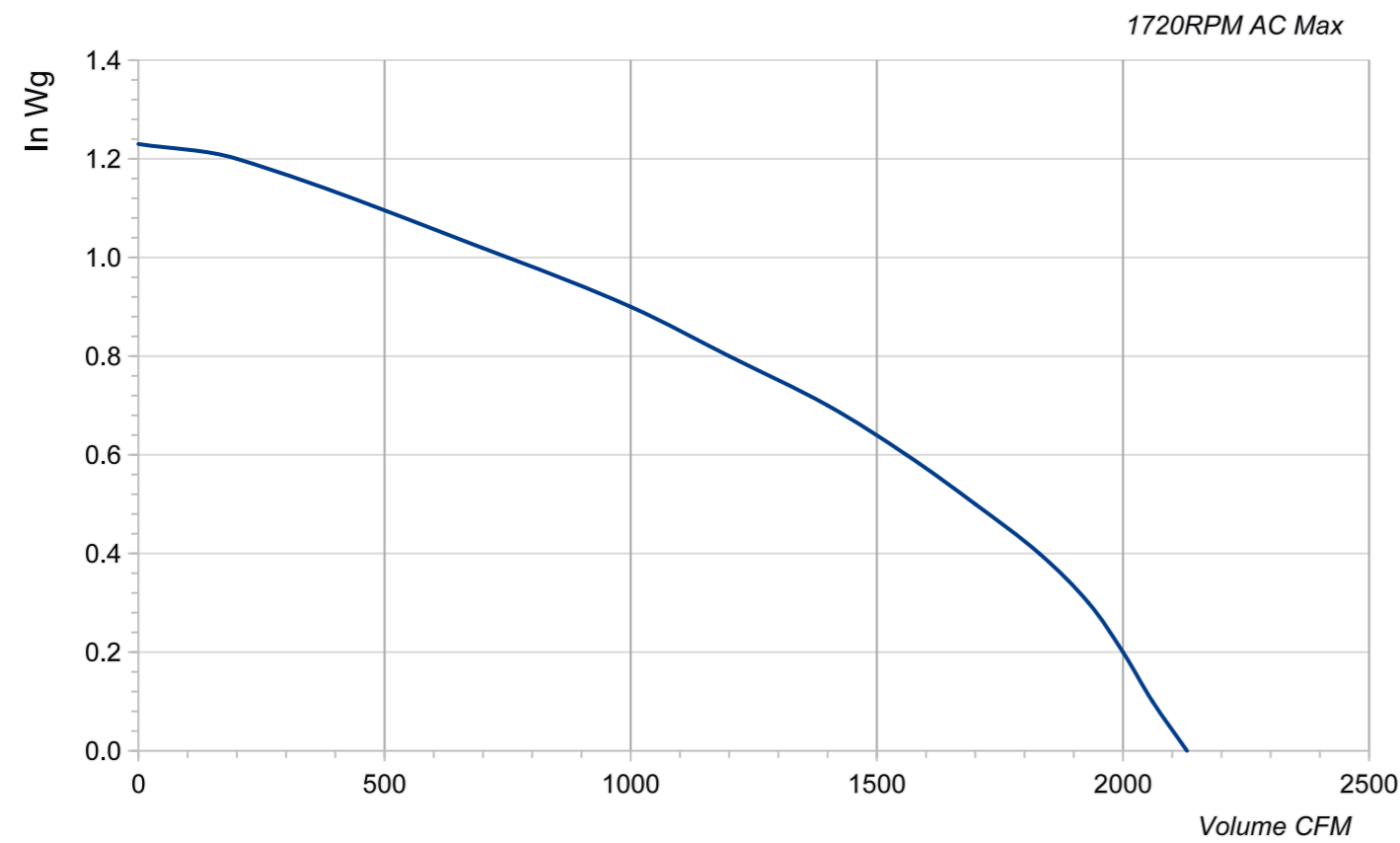
## Product Characteristic

- Material: Metal
- Voltage: AC Technology
- Type of Operation: IP54
- Mode of Operation: S1
- Working Temp: 80 C
- Speed Control Type: Constant Speed

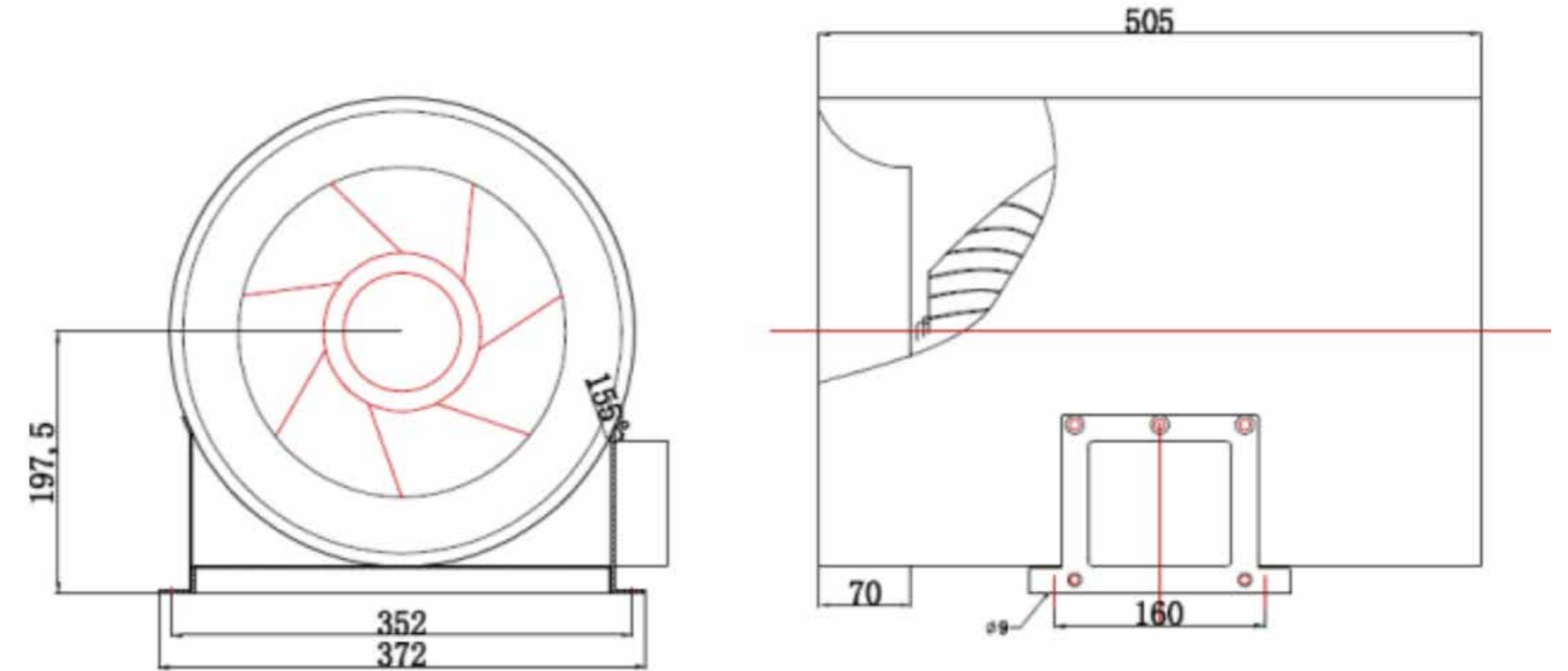


## Technical Specifications

Model	Voltage (V)	Frequency (Hz)	Maximum Flow Value (CFM)	Working Power (W)	Speed (RPM)	Noise [dB(A)]
LWDA-350(14")U-MWN-01	110-120	60	2130	260	1720	74



## Product Drawing (mm)



# LWDA-350(14") Series

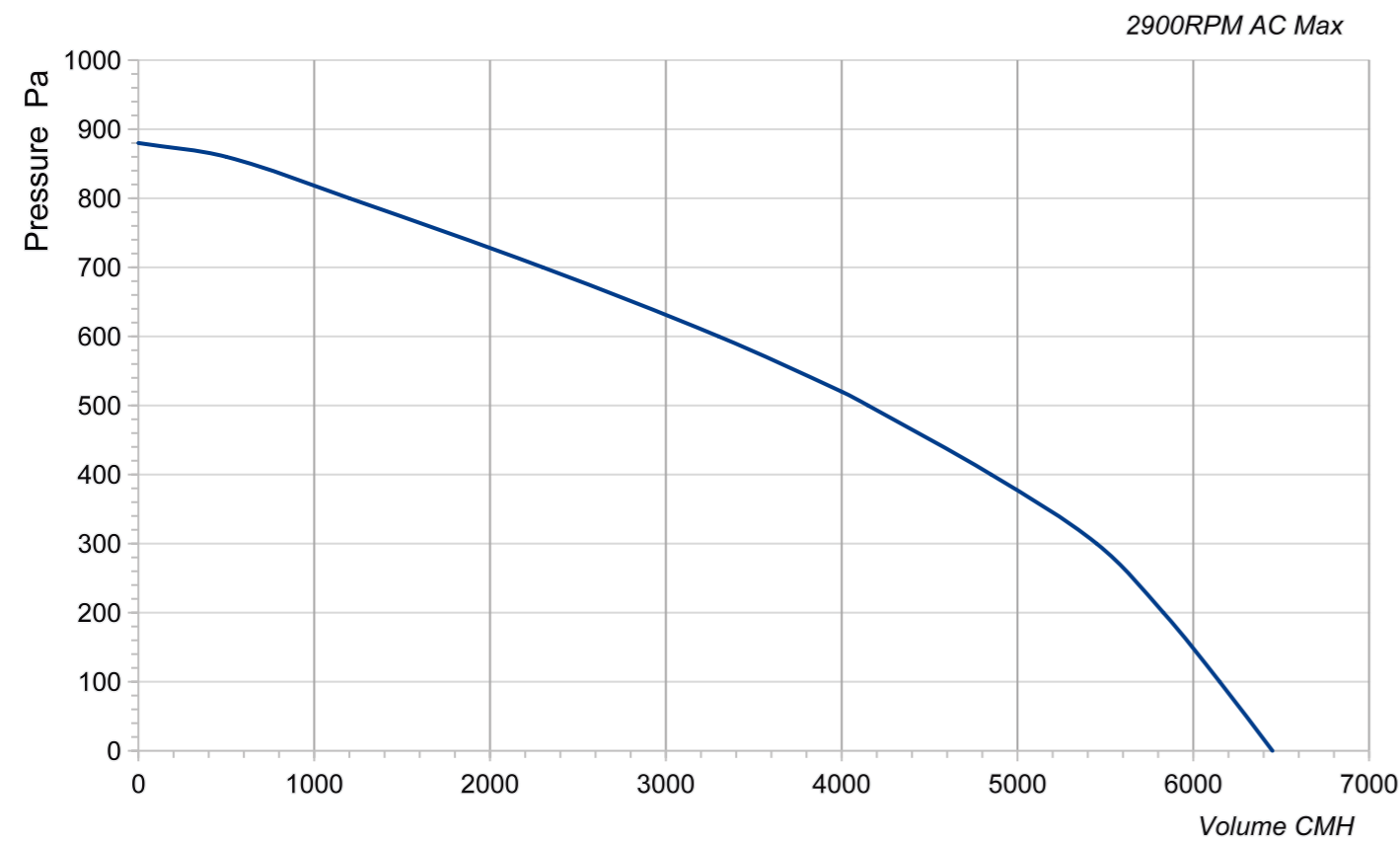
## Product Characteristic

- Material: Metal
- Voltage: AC Technology
- Type of Operation: IP54
- Mode of Operation: S1
- Working Temp: 80 C
- Speed Control Type: Constant Speed

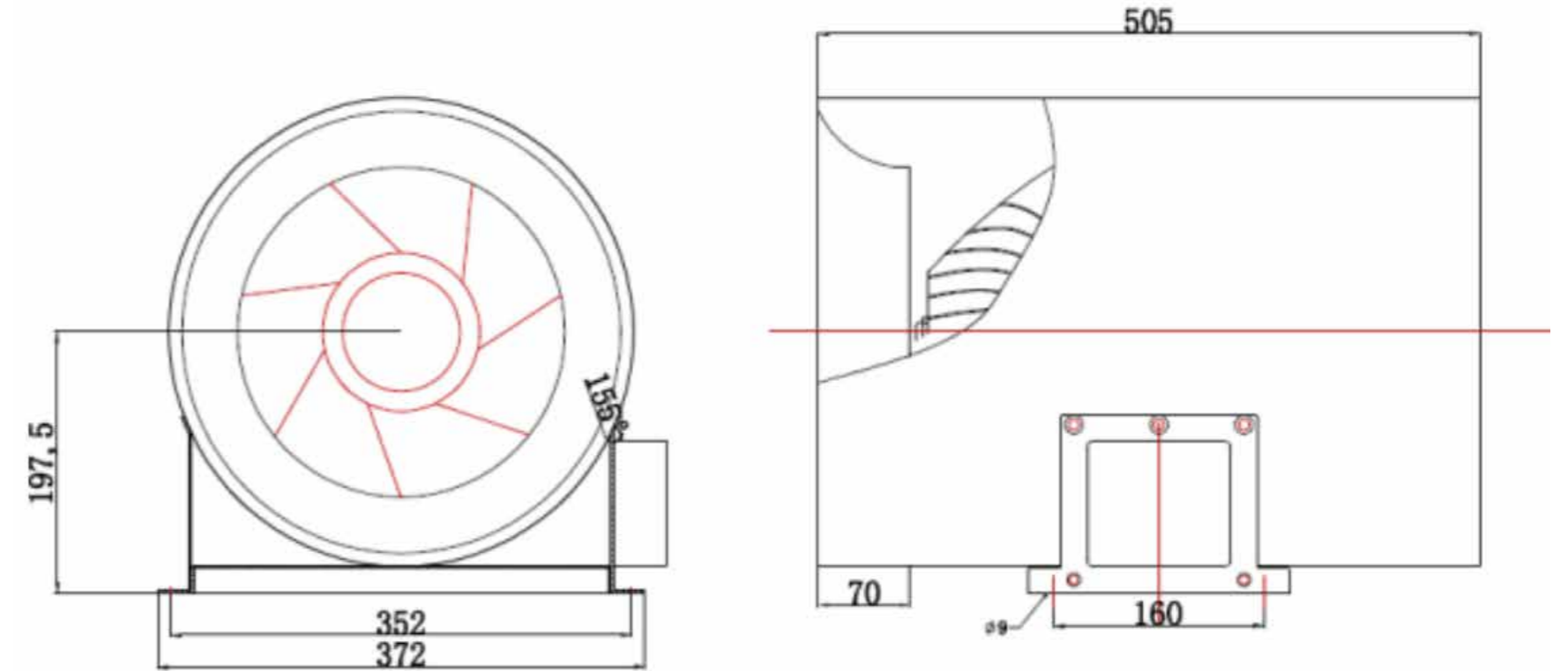


## Technical Specifications

Model	Voltage (V)	Frequency (Hz)	Maximum Flow Value (CMH)	Working Power (W)	Speed (RPM)	Noise [dB(A)]
LWDA-350(14")S-MWN-02	220-240	50	6450	903	2900	79



## Product Drawing (mm)



# LWDA-400(16") Series

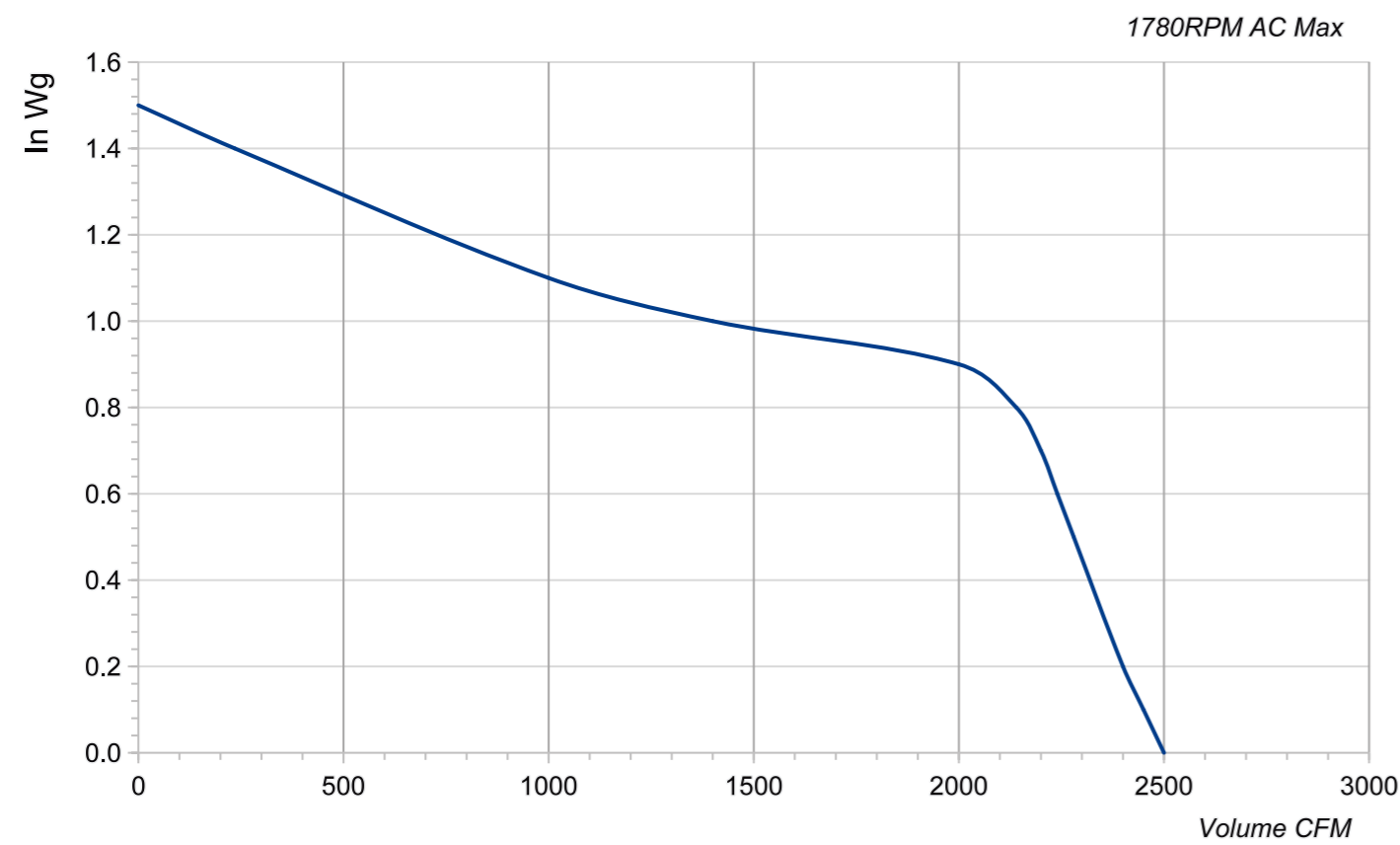
## Product Characteristic

- Material: Metal
- Voltage: AC Technology
- Type of Operation: IP54
- Mode of Operation: S1
- Working Temp: 80 C
- Speed Control Type: Constant Speed

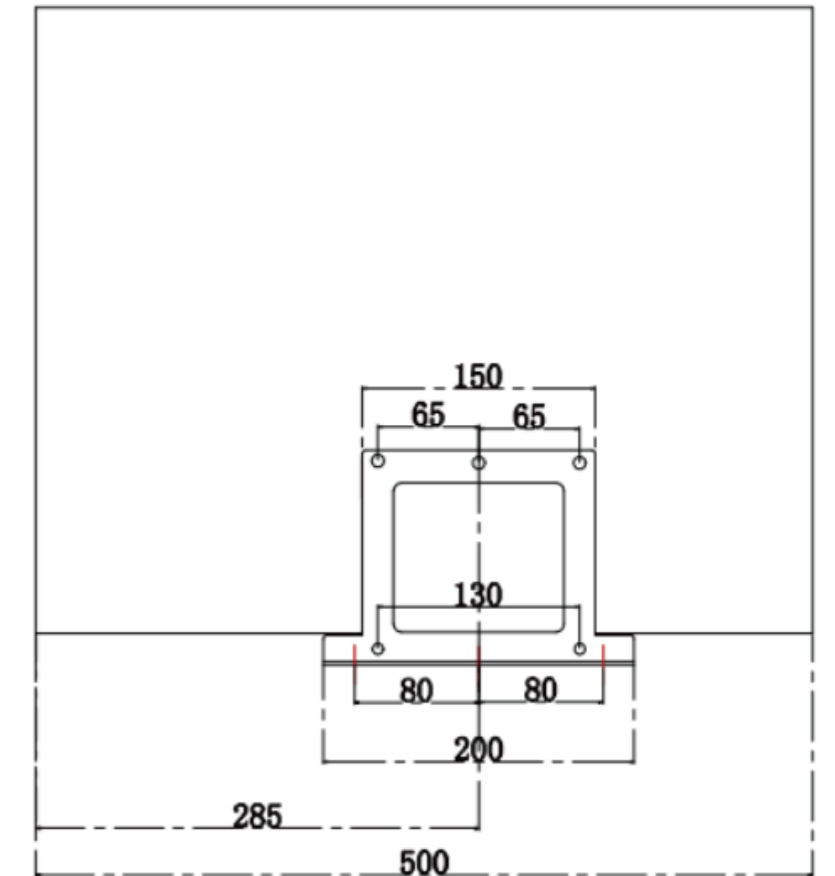
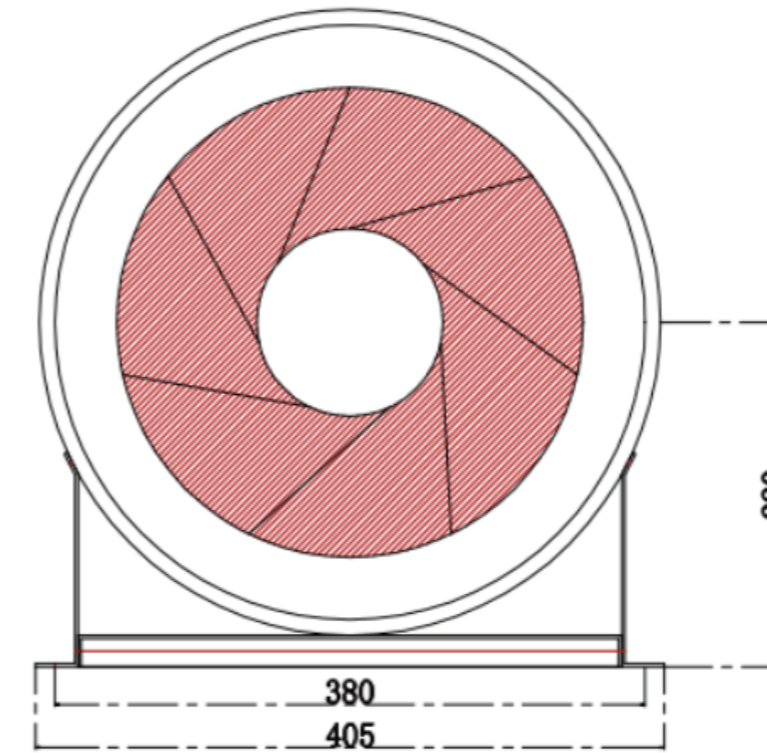


## Technical Specifications

Model	Voltage (V)	Frequency (Hz)	Maximum Flow Value (CFM)	Working Power (W)	Speed (RPM)	Noise [dB(A)]
LWDA-400(16")U-MWN-01	110-120	60	2500	440	1780	75



## Product Drawing (mm)



# LWDA-400(16") Series

## Product Characteristic

- Material: Metal
- Voltage: AC Technology
- Type of Operation: IP54
- Mode of Operation: S1
- Working Temp: 80 C
- Speed Control Type: Constant Speed



## Technical Specifications

Model	Voltage (V)	Frequency (Hz)	Maximum Flow Value (CMH)	Working Power (W)	Speed (RPM)	Noise [dB(A)]
LWDA-400(16")S-MWN-02	220-240	50	7100	1300	2940	83

## Product Drawing (mm)

